



Quick Reference Catalog

| Compressors | Valves | Wheel End Solutions | Air Treatment | Integrated Modules | Electronics |



Ready for what's ahead?

Even the safest and most skilled drivers are at risk of rear-end collisions, rollovers, and loss of control. Bendix gives you the power to help reduce that risk. We offer proven advanced safety technologies like high performance air disc brakes, full-stability systems, collision-mitigation technology, and more. The unexpected is up ahead – will you be ready?

The time to prepare is now. To learn how, visit safertrucks.com/solutions, email safetysolutions@bendix.com, or call 1.800.AIR.BRAKE (1.800.247.2725) today.



Product Group	Page	Product Group	Page	Product Group	Page
ABS & Stability - 13		Engine Applications.....	4–8	Control Valves	
AT-3™, ATR-3™	110	Maintenance Kits, Service Parts,		E-Z-Grip® Soft	
ATR-1™, ATR-6™	111	Safety Valve, Air Strainers	11–13	Button Cover	37
Axle Modules.....	108–109			MV-3®.....	39
EC-30™, Gen 4/5 Controller	102	Electronics - 15		PP-1®, PP-2™, PP-3™	35
EC-60™ Controller	103–106	ET-2™, ET-S2™	131	PP-5™, PP-7™, PP-8™	36
EC-80™ Controller	114	Foundation Brakes - 22		PP-DC®	38
ESP®, PS-60™, YAS-60™,		Brake Shoe Identification,		RD-3™	37
YAS-70X™ Sensors.....	119	Hardware Kits.....	137–143	SV-1™, SV-4™	43
eTrac	106	Brake Lining	136	TC-4™, TW-1™	40
M-30™, M-32™, M-32QR™, M-40™,		Formula Blue® Brake Pads,		TH-3™, TW-2™, TW-3™	41
M-40HF™, M-40QR™ Modulators	107–108	Brake Shoes	132–133	TW-4™, TW-11™	42
MC-30™, A-18™, MC-12™	112–113	Drum Brake - Drive Axle.....	145	Inversion Valves	
TABS-6™, BR9235™	116–117	Drum Brake - Steer Axle	144	TR-2™, TR-3™	27
WS-20™, WS-24™ Wheel Speed Sensors ...	118	Drum Brake - Trailer Axle	146	Pressure Protection Valves	
Lane Departure Warning (LDW) Systems		RSD Cams	134	PR-2™, PR-3™, PR-4™	28
Autovue®	126–127	RSD Friction	135	Pressure Reducing Valve	
Radar Systems		Indicating & Warning Devices - 06		RV-3™	31
FLR10™, FLR20™, VORAD® VS-400... ..	120–125	Air Horn Kits.....	71	Quick Release Valves	
BlindSpotter® Radar, Side Speaker	127	DS-1™, DS-2™	68	LQ-2™, QR-1C®	33
Tire Pressure Monitoring System		SL-3™, SL-4™, SL-5™	69	QR-L™	31
SmarTire® TPMS.....	128–129	LP-2™, LP-3™	70	QR-1®, QRN™	32
Diagnostic Tools		Slack Adjusters - 05		Ratio, Limiting & Proportioning Valves	
RDU, TRDU, ACom®, Electronic Tools	130	Manual.....	65	LQ-4™	33
Actuators - 02		Versajust® Automatic Slack Adjuster	66–67	LQ-5™, BP-1™, BP-R1®	34
Brake Chambers, Diaphragms, Rotochambers,		Yoke Adapters, Yoke Kits	67	Relay Valves	
Spring Brakes, Springs, Yokes	15–21	Tubing & Fittings - 07		R-6™, R-8™	44
Air Brake System - 100		C-1™, C-3™	72	R-8P™	45
Coach, Double Train, School Bus,		C-5™	73	R-12®, R-12P™	46–47
Tractor, Towing Trailer, Truck	153–161	DV-2™	74	R-7™ Modulating Valve	54
Air Disc Brake - 23		Reducer Bushings.....	78	R-12DC®	48
ADB22X™	147–151	Tubing, Tubing Clamps,		R-14®	49
ADB225™, SB-7™, SN-7™, SK-7™	149–151	Tubing Inserts, Nylon Tubing	75	RE-6®, RE-6NC™	50
Air Dryers - 08		Tubing Fittings.....	76–79	Safety Valves	
AD-2®	87	Air Brake Hose		ST-3™ & ST-4™	11, 51
AD-9®, AD-9® IPC	88–91	Hose, Hose Assembly, Hose Couplings, Hose		Spring Brake Valves	
AD-9si®	89	Fittings & Suspension Spring	80–83	SR-1™, SR-2™, SR-4™	52
AD-IP®, AD-IP® DI	93	Dummy Couplings.....	84	SR-5™, SR-7®, SRC-7000™	53
AD-IS®, DRM™	94–96	Valves - 03		Tractor Protection Valves	
AD-SP®	92	Brake Valves		TP-3®, TP-3DC™	54
Cartridge Guidelines.....	98–101	E-2™, E-3™, E-5™	22	TP-4™, TP-5™	55
Cyclone DuraDrain®.....	85	E-6®, E-8P®, E-10P™, E-10PR™	23	Valve Maintenance Kits	56–64
EverFlow® Air Dryer Module	97	E-7™, E-10™	24		
PuraGuard®, PuraGuard® QC, AF-3™	86	E-12™, E-14™, E-15™, BVA-85™	25		
Trailer System-Guard®	85	TC-2™, TC-6™, TC-7™	26		
Compressors & Governors - 01		TCS-9000™	27		
All Makes™	9–10	Check Valves			
Compressors, Inlet Gasket.....	2–3	Double	29		
D-2®, SV-1™ Governors & Gaskets	14	Single, Right Angle Check Valves.....	29		

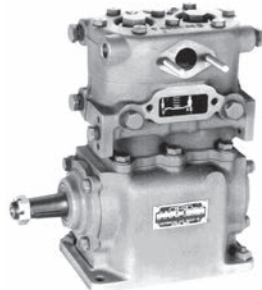
i = For additional information

Bendix® Compressor Sizes

BX-2150™ Compressor
9.5 CFM AT 1250 RPM
i [SD-01-331](#)



Tu-Flo® 400 Compressor
7.25 CFM AT 1250 RPM
i [SD-01-326](#)



Tu-Flo® 500 Compressor
12 CFM AT 1250 RPM
i [SD-01-326](#)



Tu-Flo® 501 Compressor
12 CFM AT 1250 RPM
i [SD-01-337](#)



Tu-Flo® 550 Compressor
13.2 CFM AT 1250 RPM
i [SD-01-333](#)



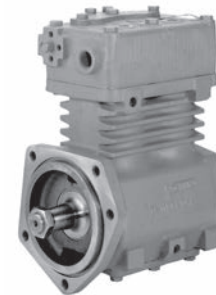
Tu-Flo® 600 Compressor
14.5 CFM AT 1250 RPM
i [SD-01-336](#)



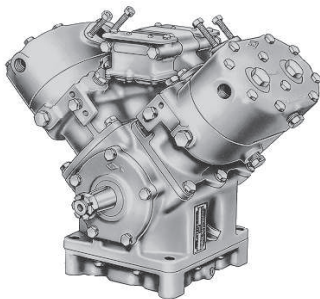
Tu-Flo® 700 Compressor
15.5 CFM AT 1250 RPM
i [SD-01-335](#)



Tu-Flo® 750 Compressor
16.5 CFM AT 1250 RPM
i [SD-01-344](#)



Tu-Flo® 1000 Compressor
24 CFM AT 1250 RPM
i [SD-01-326](#)



Tu-Flo® 1400L Compressor
31 CFM AT 1250 RPM



DuraFlo 596™ Compressor
27 CFM AT 1250 RPM
i [SD-01-670](#)

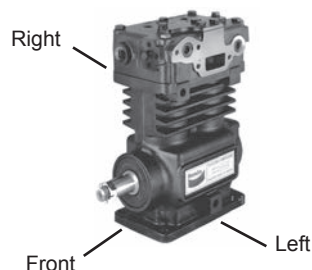


BA-921® Compressor
15.8 CFM AT 1250 RPM
i [SD-01-690](#)



- Bendix air compressors are designed to meet a wide range of vehicle needs.
 - Several sizes and various mounting configurations are available.
 - Compressors are available remanufactured exchange.
- V.M.R.S. 13-009-000

Unless indicated, inlet & discharge locations are as shown.



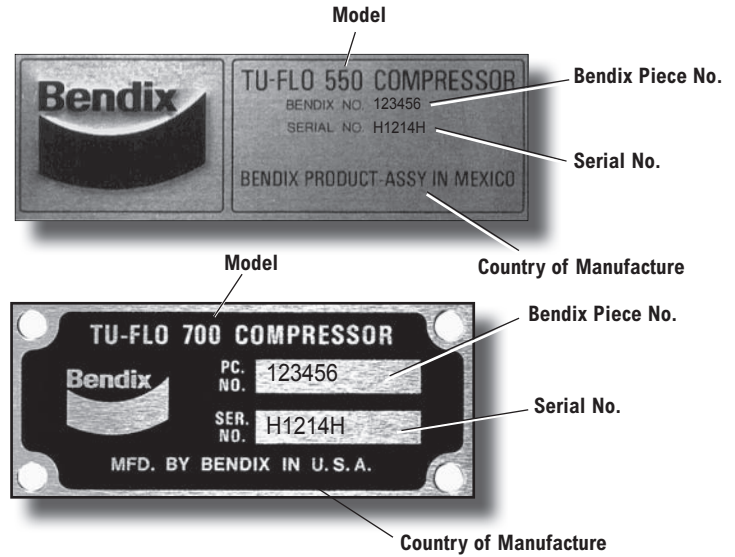
BA-922® Compressor
31.6 CFM AT 1250 RPM
i [SD-01-700](#)



Compressor Nameplates

A nameplate is attached to the crankcase of all compressors. It displays the model, piece number (PC. NO.) and serial number (SER. NO.). When making reference to a particular compressor, use the piece number (PC. NO.) stamped on the nameplate.

The serial number is interpreted as follows: First is an alpha character (A through M, skipping the letter I) representing January through December. The next four characters are numbers representing the day of the month followed by the year (two digits for each). The sixth and last character represents the manufacturing plant. For example serial number H1214H indicates the product was manufactured on August 12, 2014 in the Huntington, Indiana facility.



Gaskets



Inlet Flange Gasket Pc. No. 243430N

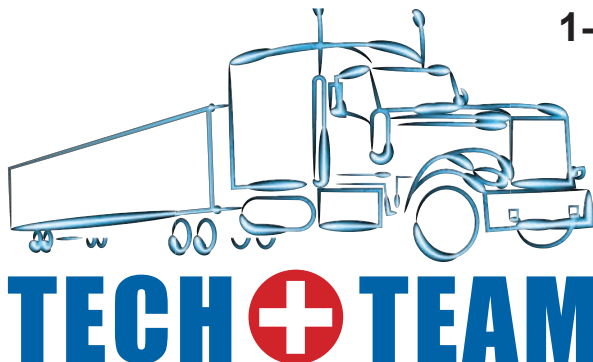
For all Bendix® Tu-Flo® Compressors
except Tu-Flo 300 Compressor

Service New Pc. No.	Compressor
5013553	Tu-Flo® 550 and Tu-Flo® 750
5016795	Tu-Flo® 501

Base Plate Gasket

For compressors with 1/2" bottom drain port

For additional application or changeover information contact your Bendix Account Representative or the Tech Team at **1-800-AIR-BRAKE (1-800-247-2725)**, Select option 2 then option 1 to reach the Tech Team.



www.Bendix.com
email techteam@bendix.com

Fax: 440-329-9556

Bendix® BA-921® Remanufactured Compressors

w/core group and core class identification



CAT®
Core Group 1K

BA-921®
Air Compressor
(Core Class 2K)
C15, C18
5012533X
*(40 tooth drive gear -
CAT P/N 20R0178)*

BA-921®
Air Compressor
(Core Class 2K)
C11 Acert®, C13 Acert
K056647X
*(42 tooth drive gear -
CAT P/N 20R0177)*



CAT

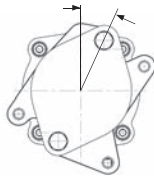
3126, C7 Acert, C9 Acert
Core Group 2K

*Note: Flange gasket must be
purchased from Caterpillar.*

BA-921®
Air Compressor
(Core Class 2K)
5010806X
Rear Flange Rotation - 0°

BA-921®
Air Compressor
(Core Class 2K)
5014428X
Rear Flange Rotation - 30°

Rotation
(30° Shown)



Navistar®
IBB Side Mount
Core Group 1X

BA-921®
Air Compressor
(Core Class 1X)
K075155X
**Used in conjunction with
Bendix DRO valve
P/N K036946**



DDC®
Series 60
Core Group 1J

BA-921®
Air Compressor
(Core Class 2J)
5016614X
5016799X (with gasket kit)
*(4-bolt head and 63 tooth
drive gear
with a 21 tooth spline)*
Governor pad included on
cylinder head.

BA-921®
Air Compressor
(Core Class 3J)
5018653X
*(6-bolt head and 63 tooth
drive gear
with a 21 tooth spline)*

Bendix® BA-921® Compressor Kits	Part No.
Unloader Kit	K109119
Cylinder Head Gasket Kit	K023764
Compressor Seal Kit	5012369
Governor Adapter Kit	5008561

Bendix® BA-922® Remanufactured Compressors

w/core group and core class identification

Caution!
Bendix® BA-922® air compressors cannot be turbocharged.



BA-922®
Air Compressor
(Core Class 1P)
C11 Acert, C13 Acert
5013058X
(42 tooth drive gear)

CAT®
Core Group 1P

BA-922®
Air Compressor
(Core Class 1P)
C15 Acert, C18 Acert
5013059X
(40 tooth drive gear)



BA-922®
Air Compressor
(Core Class 1L)
5013695X
(69 tooth drive gear with a 21 tooth spline)

DDC®
Series 60 non-EGR &
Series 50
Core Group 1L

A changeover kit is required if replacing a Tu-Flo® 750 or DuraFlo 596™ compressor. See BW2524 for additional information.



BA-922®
Air Compressor
(Core Class 1M)
5012895X
(63 tooth drive gear with a 21 tooth spline)

DDC
Series 60 EGR
Core Group 1M



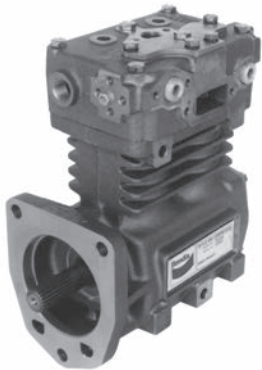
BA-922®
Air Compressor
(Core Class 1N)
5016389X
(drive gear not included)

John Deere®
Tier 3 PowerTech Plus™
Core Group 1N

Bendix® BA-922® Compressor Kits	Part No.
Unloader Kit	5014473
Cylinder Head Gasket Kit	5014472
Compressor Seal Kit	5008559
Governor Adapter Kit	5008561
Changeover Kits: Detroit Diesel® Series 50 & Series 60 Non-EGR	
Series 50 CNG	5015871
Series 50 Diesel, Series 60 non-EGR (rear mount ECM)	5016263
Series 50 Diesel, Series 60 non-EGR (side mount ECM)	5016728

**Bendix® Tu-Flo® 550 & Tu-Flo® 750
Remanufactured Compressors**

w/core group and core class identification



CAT®
Core Group 1A

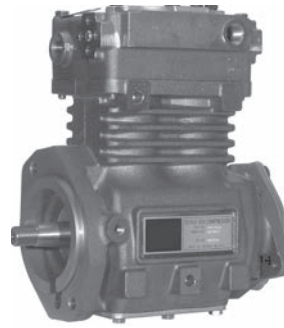
Tu-Flo® 550
Air Compressor
(Core Class 1A)
3406, C10, C12, C15, C16
5002984X
(rear end cover studs)
3176, C15, C16
5005790X

107509X
3406B
(2½° tilt)

Tu-Flo® 750
Air Compressor
(Core Class 2A)
3406, C10, C12, C15, C16
5002713X
(rear end cover studs)

3176, C15, C16
5002983X

107508X
3406B
(2½° tilt)



CAT
3116, 3126,
C7 Acert®, C9 Acert
Core Group 1A

* High torque thru drive.

Tu-Flo® 550
Air Compressor
(Core Class 1A)
5011016X (keyed c'shaft)
**5001940X (non keyed
c'shaft)**

***5008249X**

107981X
(Left Inlet)

Tu-Flo® 750
Air Compressor
(Core Class 2A)
5004118X

Top inlet unless noted.
Removable rear flange cover.



Tu-Flo® 550
Air Compressor
(Core Class 1A)
109251X

Tu-Flo® 750
Air Compressor
(Core Class 2A)
109287X

CAT 3306
Core Group 1A



37 tooth gear

Cummins® ISB & C
Core Group 1E

Tu-Flo® 550
Air Compressor
(Core Class 1E)
108804X
(top air inlet)

109653X
(left air inlet)

Tu-Flo® 750
Air Compressor
(Core Class 2E)
109382X
(top air inlet)



Tu-Flo® 550
Air Compressor
(Core Class 1B)
107506X

Tu-Flo® 750
Air Compressor
(Core Class 2B)
107507X

Cummins
ISM, N14, M11
Core Group 1B

**Drive Gear -
Cummins P/N AR200398**

Optional Tu-Flo® 550 & 750 compressors available with premium crankshafts for severe duty applications. See Bendix bulletin TCH-001-054.



DDC®
Core Group 1D

Bendix® Tu-Flo® 550
Air Compressor
(Core Class 1D)
Series 60 non-EGR
5004188X
*(69 tooth gear
with a 21 tooth spline)*

Tu-Flo® 750
Air Compressor
(Core Class 2D)
**Series 60 non-EGR &
Series 50**
5004187X
*(69 tooth gear
with a 21 tooth spline)*

Bendix® BA-922® air compressor upgrade available.

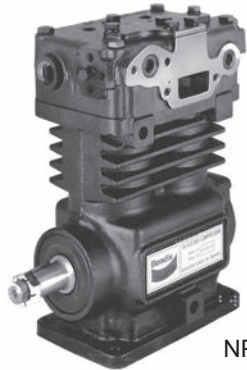


DDC
Core Group 1C

Tu-Flo® 550
Air Compressor
(Core Class 1C)
Series 60 non-EGR
107622X
(21 tooth spline)

Tu-Flo® 750
Air Compressor
(Core Class 2C)
**Series 60 non-EGR &
Series 50**
107623X
(21 tooth spline)

Bendix® BA-922® air compressor upgrade available.



NPT Ports

International® V8
Pre-2004
Core Group 1I

Note: 300 pound maximum
side load on belts.

Tu-Flo® 550
Air Compressor
(Core Class 60)
T444E
107514X

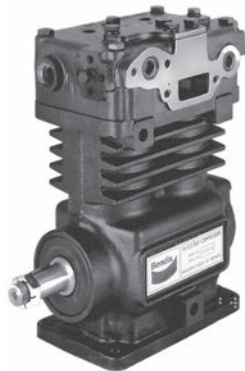


International V8
2004 - 2006
Core Group 1I

Note: 300 pound maximum
side load on belts.

Tu-Flo® 550
Air Compressor
(Core Class 60)
VT365
5015314X
*(M18 water port &
M10 oil port)*

*Engines built before 6/05 may
require kit pc. no. 5016415
for oil and water port adapters
- see Bendix Bulletin
TCH-001-055.*



International V8
2007
Core Group 1I

Note: 300 pound maximum
side load on belts.

Tu-Flo® 550
Air Compressor
(Core Class 60)
VT365
5019445X
*(M18 water port &
M10 oil port)*



Volvo®
Core Group 1H

Tu-Flo® 550
Air Compressor
(Core Class 1H)
108937X

Bendix® Tu-Flo® 750
Air Compressor
(Core Class 2H)
108935X



NPT Ports

International® I-6
Pre-2004
Core Group 1G

Bendix® Tu-Flo® 550
Air Compressor
(Core Class 1G)
DT466, HT530
5004613X

Bendix® Tu-Flo® 750
Air Compressor
(Core Class 2G)
HT530
5004614X

Optional Bendix® Tu-Flo® 550 & 750 compressors available with premium crankshafts for severe duty applications. See Bendix bulletin TCH-001-054.



Bottom drain & metric ports

International I-6
2004 - 2006
Core Group 1G

Tu-Flo® 550
Air Compressor
(Core Class 1G)
DT466
5014144X

HT570
***5014488X**

Tu-Flo® 750
Air Compressor
(Core Class 2G)
HT570
***5014489X**

* Premium crankshaft for severe duty applications.



Bottom drain & metric ports

International I-6
2007
Core Group 1G

Tu-Flo® 550
Air Compressor
(Core Class 2G)
DT466
5019320X

HT570
***5019321X**

Tu-Flo® 750
Air Compressor
(Core Class 2G)
HT570
***5019322X**

* Premium crankshaft for severe duty applications.



Mack Extended
Core Group 1F

Tu-Flo® 550
Air Compressor
(Core Class 1F)
***108866X**
(Pre -1997)
5002865X

Tu-Flo® 750
Air Compressor
(Core Class 2F)
***5003729X**
(Pre -1997)
5002868X

* Head contoured for special clearance applications.

Service Parts / Kits	Part No.
Rear Spline Adapter	5000560
Bottom Drain Kit	5013553

All Makes™

by Bendix CVS

Wabco® SS318 Series Air Compressors



9111535200X



9111535100X

Bendix Part Number	Compressor Model	Application (engine type, characteristics)	Compressor Cross Reference	Core Group	Core Class
9111530550X	SS318	Mack® Engine, 11 Tooth, 85MM		RD	R5
9111535100X	SS318	Cummins® ISX Engine, 85MM	3103413, 3681902, 3681904	RB	R2
9111535200X	SS318	Cummins L/M/N Engine, 85MM	3558163, 9111535207X	RC	R4

Wabco® Replacement Heads

For SS318 Series Air Compressors



9111539202X

Bendix Part Number	Compressor Model	Application (engine type, characteristics)	Compressor Reference	Core Group	Core Class
9111539202X	SS318	85MM Metric STO	9111530040X, 9111535200X, 9111535207X, 9111535300X, 9111535330X, 9111535313X	RH	S5
9111539212X	SS318	85MM STO	9111535100X	RH	S5

Cummins®/Holset® Compressors

Bendix Part Number	Compressor Model	Application (engine type, characteristics)	Core Group	Core Class
3048680X	ST676	L10/K/N14 Engine	P1	PA
3049186X	SS296	N14/L10 Engine	J	AJ
3558052X	QE296C	C Series Engine, Thru-Drive, 11 Tooth	J4	JD
3558072X	QE296	L10/N14 Engine	J3	JC



3558072X

All Makes™

by Bendix CVS

Midland® 1300 & 1600 Series Air Compressors



EL13111X

Bendix Part Number	Compressor Model	Application (engine type, characteristics)	Compressor Cross Reference	Core Group	Core Class
EL13020X	1300	4-Hole Base Mount	N7002A	C1	CA
EL13111X	1300	Mack® Engine, Extended Flange	N7011F	F1	FA
EL16053X	1600	DDC® Series 60 Engine, Thru-Drive	NT7205Y	K2	KB

Midland® EL740 & 850 Series Air Compressors



KN7170X

Bendix Part Number	Compressor Model	Application (engine type, characteristics)	Compressor Cross Reference	Core Group	Core Class
KN7050X	EL740	4-Hole Base Mount, Flange Discharge	R955KN7050	A4	AD
KN7170X	EL740	6-Hole Base Mount	R955KN7170	A6	AF
KN86020X	EL850	4-Hole Base Mount, Water-Cooled	N7602, R955KN86020	B2	BB

Bendix® ST-4™ Safety Valve

V.M.R.S. 13-010-073

ST-4™ Safety Valve Pc. No.	Used in Conjunction with	Pressure Setting	Thread	No. of Holes
131081		250 psi	1/2-14 NPT	2
800019		150 psi	1/2-14 NPT	2
800154		250 psi	1/2-14 NPT	2
800155		200 psi	1/4-18 NPT	1
800350	Dryer Reservoir Module	153 psi	1/4-18 NPT	1
800533		250 psi	3/4-16 UNF-2A	2
800534	S.T.O.R.P.	250 psi	M16 x 1.5-6H	2
801116	S.T.O.R.P.	250 psi	7/8-14 UNF-2A	2



See the valve section of this catalog for additional safety valves.

Air Strainers

Service New Pc. No. includes air strainer & hardware. Can not be used on a Tu-Flo® 300 compressor.

i [SD-01-326](#)



Air Strainer Kit Pc. No.	Service New Pc. No.	Replacement Filter
278500N	279901N	243009N



Air Strainer Kit Pc. No.	Service New Pc. No.	Filter & Gasket Kit	Replacement Filter
227785N	226469N	277157	239292N

Bendix® Compressor Maintenance and Service Kits

	Bendix® Compressor						
	U-7¼	E-12™ & F-12™	BX-2150™	Tu-Flo® 300	Tu-Flo® 400	Tu-Flo® 500	Tu-Flo® 501
NUMBER OF CYLINDERS	2	2	1	2	2	2	2
FIELD MAINTENANCE KIT	NA	NA	108848N 109356 (CAT)	229415N	229416	229417N	287043N
UNLOADER KIT	NA	NA	108847N	279613N	279614	279615N	279615N
GASKET SET	NA	NA	NA	NA	280511	280512N	101558
PISTON RING SETS (3) = 3 ring piston (4) = 4 ring piston (5) = 5 ring piston Unless otherwise indicated one piston ring set services the entire compressor.							
Standard Size	226721N	225514	104045	226778N	226721N (4) 289603N (3)	225514	106105N (5)
.010 O.S.	226722N	225515N	104046	226779	226722N (4) 289604 (3)	225515N	106106 (5)
.020 O.S.	226723N	225516N	104047	226780	226723N (4) 289605 (3)	225516N	106107 (5)
.030 O.S.	226724	225517N	104048	226781	226724 (4) 289606 (3)	225517N	106108 (5)
.040 O.S.	NA	NA	NA	NA	NA	NA	5005216
PISTON AND WRIST PIN KITS (5) = 5 ring piston * These piston and wrist pin kits have a selected fit. A set contains one piston & one pin. All other piston & wrist pin kits have a non-selected fit and each kit contains one piston, one wrist pin & two wrist pin buttons.							
Standard Size	NA	NA	104049	225704N*	289438N	289928N	106109N (5)
.010 O.S.	NA	NA	104050N	226630*	289439N	289929N	106110N (5)
.020 O.S.	NA	NA	104051	226631*	289440N	289930N	106111N (5)
.030 O.S.	NA	NA	104052	226632*	289441	289931N	106112N (5)
.040 O.S.	NA	NA	NA	NA	NA	NA	5005217
ALUMINUM CONNECTING RODS (services 1 connecting rod)							
Without Inserts	229083	NA	NA	NA	229083	NA	NA
With Std. Inserts	229082N	NA	102398RX (Std.) 107465RX (.010 O.S.) 107466RX (.020 O.S.)	227479 (Std.)	229082N	NA	NA
STEEL CONNECTING RODS (services 1 connecting rod)							
Without Inserts	NA	229085	NA	NA	NA	229085	286258
With Std. Inserts	NA	NA	NA	NA	NA	NA	286259
CONNECTING ROD INSERT KIT (services 1 connecting rod)							
Standard Size	282763N	282767N	NA	NA	282763N	282767N 287062N(M)	286254N 287058N(M)
.010 O.S.	282764N	282768N	NA	NA	282764N	282768N 287063(M)	286255N 287059N(M)
.020 O.S.	282765N	282769N	NA	NA	282765N	282769N 287064(M)	286256N 287060N(M)
.030 O.S.	282766N	282770N	NA	NA	282766N	282770N	286257N 287061N(M)
.040 O.S.	NA	NA	NA	NA	NA	NA	5005218 5005219(M)
PISTON RINGS AND CONN. ROD KIT (services the entire compressor)	NA	NA	NA	NA	NA	NA	NA
CRANKSHAFT BEARING KIT	NA	NA	NA	NA	NA	NA	NA

(M) For Mack® style compressors with power steering driven by the compressor crankshaft.

NA - Not Available



Bendix® Compressor Maintenance and Service Kits

	Bendix® Compressor							
	Tu-Flo® 550	Tu-Flo® 600	Tu-Flo® 700	Tu-Flo® 750	Tu-Flo® 1000	Tu-Flo® 1400	BA-921®	BA-922®
NUMBER OF CYLINDERS	2	2	2	2	4	4	1	2
FIELD MAINTENANCE KIT	107516N	229417N	289998N	107516N	229417N (2 req'd.)	104592	NA	NA
UNLOADER KIT	107515N	279615N	279615N	107515N	279615N (2 req'd.)	279615N (2 req'd.)	K046477	K049446 (or two K046477 kits)
HEAD KIT	265077			265077				
GASKET SET	5012609	101559	101559	5012609	NA	NA	5008558	5014472
HEAD GASKET	5011623			5011623				
PISTON RING SETS (3) = 3 ring piston (4) = 4 ring piston (5) = 5 ring piston Unless otherwise indicated one piston ring set services the entire compressor.								
Standard Size	107639N	282525N (5)	282525N	5005361	288646	282525N (2 req'd.)	NA	NA
.010 O.S.	107640	282526N (5)	282526N	5005362	288647N	282526N (2 req'd.)	NA	NA
.020 O.S.	107641	282527N (5)	282527N	5005363	288648	282527N (2 req'd.)	NA	NA
.030 O.S.	107642	282528N (5)	282528N	5005364	288649	282528N (2 req'd.)	NA	NA
PISTON AND WRIST PIN KITS (5) = 5 ring piston * These piston and wrist pin kits have a selected fit. A set contains one piston & one pin. All other piston & wrist pin kits have a non-selected fit and each kit contains one piston, one wrist pin & two wrist pin buttons.								
Standard Size	107647	289891N	289891N	107643	289928N	289891N	NA	NA
.010 O.S.	107648	289892N	289892N	107644	289929N	289892N	NA	NA
.020 O.S.	107649	289893	289893N	107645	289930N	289893N	NA	NA
.030 O.S.	107650	289894	289894N	107646	289931N	289894N	NA	NA
ALUMINUM CONNECTING RODS (services 1 connecting rod)								
Without Inserts	NA	NA	NA	NA	NA	NA	NA	NA
With Std. Inserts	NA	NA	NA	NA	NA	NA	NA	NA
STEEL CONNECTING RODS (services 1 connecting rod unless otherwise noted)								
Without Inserts	108841 (serv. 2)	229085	229085	108841 (serv. 2)	289029	229085	NA	NA
With Std. Inserts	NA	NA	NA	NA	NA	NA	NA	NA
CONNECTING ROD INSERT KIT (services 1 connecting rod unless otherwise noted)								
Standard Size	107651 (serv. 2)	282767N 287062N(M)	282767N	107651 (serv. 2)	282751N	282767N	NA	NA
.010 O.S.	107652 (serv. 2)	282768N 287063(M)	282768N 287063(M)	107652 (serv. 2)	282752N	282768N	NA	NA
.020 O.S.	107653 (serv. 2)	282769N 287064(M)	282769N 287064(M)	107653 (serv. 2)	282753N	282769N	NA	NA
.030 O.S.	107654 (serv. 2)	282770N	282770N	107654 (serv. 2)	282754N	282770N	NA	NA
PISTON RINGS AND CONN. ROD KIT (services the entire compressor)	108843 (std.) 5000334 (.010 O.S.) 5000333 (.020 O.S.) 5000332 (.030 O.S.)	NA	NA	108842N (std.) 5000331 (.010 O.S.) 5000330 (.020 O.S.) 5000329 (.030 O.S.)	NA	NA	NA	NA
CRANKSHAFT BEARING KIT	107969N	NA	NA	107969N	NA	NA	NA	NA

(M) For Mack® style compressors with power steering driven by the compressor crankshaft.

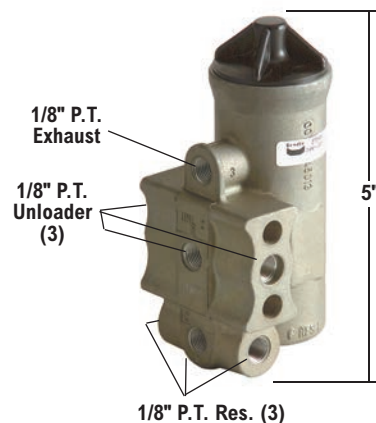
NA - Not Available

See pages 4 and 5 for additional Bendix® BA-921® and BA-922® compressor kits.

Bendix® D-2® Governor

- Available Remanufactured Exchange
- Maintenance Kit With High Temperature O-Rings Pc. No. 280915
- Maintenance Kit With Standard O-Rings 276121N
- Mounting Gasket 5007834
- Governor Check Valve Kit 5004049
- Governor Exhaust Breather 802161
- 90° Adapter Fitting 5008561
- Mounting Bolts 240910
- Operating cut-in and cut-out pressures are adjustable to OE equivalent pressures except for the non-adjustable governor.

Reman. Exch. Pc. No.	Service New Pc. No.	Pressure Range (psi)	Comments
—	065018	100–120	Non-Adjustable
—	275200N	90–105	—
275491RX	275491N	100–120	—
—	275508N	95–110	—
—	275530N	120–150	—
275707RX	275707N	105–125	—
—	277486N	110–130	—
—	283657N	115–135	—
284358RX	284358N	105–125	See Note 1
—	800361N	105–130	Non-Adjustable
—	801941	117–130	Low Band



Bendix® D-2® Governor

1 Governor supplied with high temperature o-rings and waterproof cover

V.M.R.S. 13-010-018

[i SD-01-503](#)



Bendix® D-2A™ Governor
(Non-Adjustable)

Governor Maintenance Kit Contents

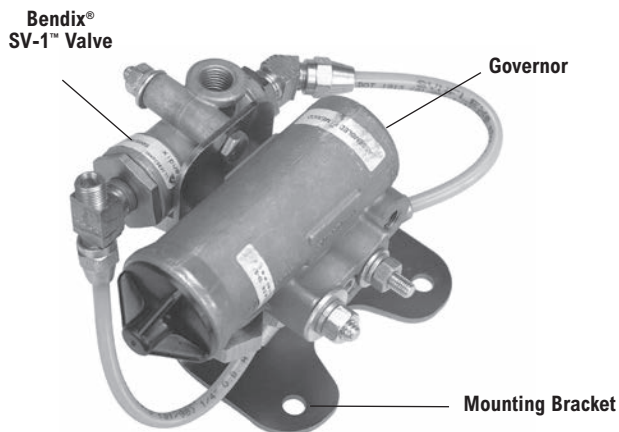
276121N and 280915



Bendix® D-2®/SV-1™ Module

Used in conjunction with the DuraFlo 596™ Compressor.

Service New Pc. No.	Type
5005365N	Steel Piston SV-1™ Valve 130 PSI
5007116	Standard D-2®/SV-1™ Module
5007404N	(High Temperature) w/unloader hose D-2®/SV-1™ Module

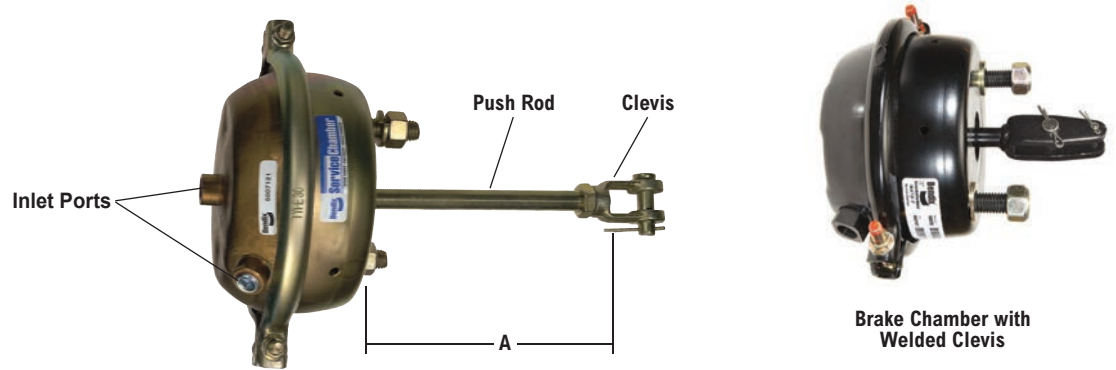


Brake Chambers

Fully Threaded Push Rod

V.M.R.S. 13-010-034

i SD-02-1302



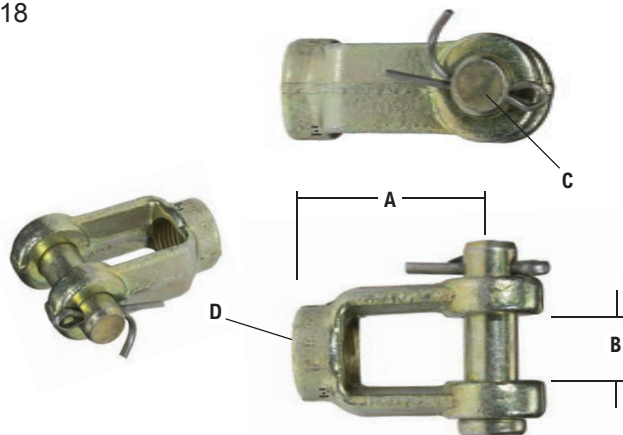
Brake Chamber Type	Stroke	Service New Pc. No. w/o Yoke	A Push Rod Length	Service New Pc. No. w/Yoke	Inlet Port Size	Push Rod Thread	Rubber Diaphragm	Clamp Band	Spring
Standard Yoke									
T12	1.75"	800822	8.60"	5007117N	1/4"-18 NPTF	1/2"-20 UNF	802486	800906	800918
T16	2.25"	800823	8.60"	5007118N	1/4"-18 NPTF	1/2"-20 UNF	802487	800907	
T20	2.50"	802990	8.20"	800824	3/8"-18 NPTF	5/8"-18 UNF	K025490	800908	800919
T24	2.50"	802986	7.80"	800825	3/8"-18 NPTF	5/8"-18 UNF	802489	800909	
T24 ELS	3.00"	—	8.00"	K025365	3/8"-18 NPTF	5/8"-18 UNF	801378		
T30	2.50"	800826	7.60"	5007121N	3/8"-18 NPTF	5/8"-18 UNF	802490	800910	800920
T30 ELS	3.00"	K025360	8.00"	K025356	3/8"-18 NPTF	5/8"-18 UNF	801379	800910	
T36 ELS	3.00"	800827	8.40"	5007122N	3/8"-18 NPTF	5/8"-18 UNF	802491	800911	800920
Welded Clevis									
T20	2.50"	—	2.25"	K058715	3/8"-18 NPTF	5/8"-18 UNF	802488	800908	800919
T24	2.50"	—	2.25"	K058691	3/8"-18 NPTF	5/8"-18 UNF	802489	800909	800919
T24 ELS	3.00"	—	2.25"	K058753	3/8"-18 NPTF	5/8"-18 UNF	801378	800909	800920
T30	2.50"	—	2.25"	K058721	3/8"-18 NPTF	5/8"-18 UNF	802490	800910	800919
T30 ELS	3.00"	—	2.25"	K058740	3/8"-18 NPTF	5/8"-18 UNF	801379	800910	800920



Clevis / Yoke Assemblies

For Brake Chambers & Rotochambers

V.M.R.S. 13-004-018

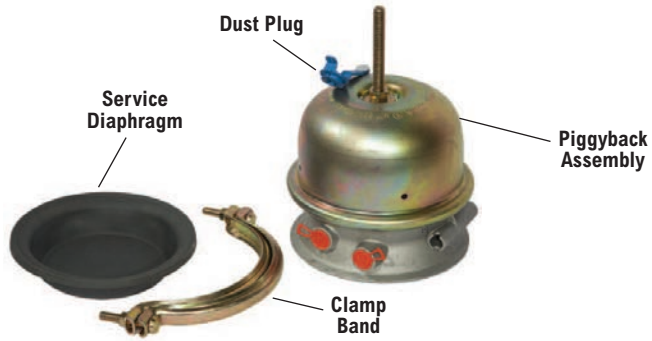
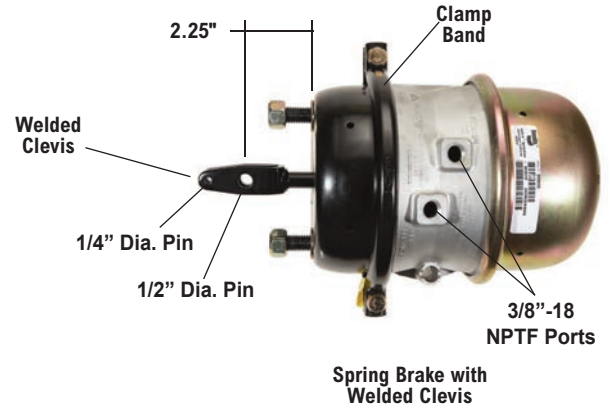
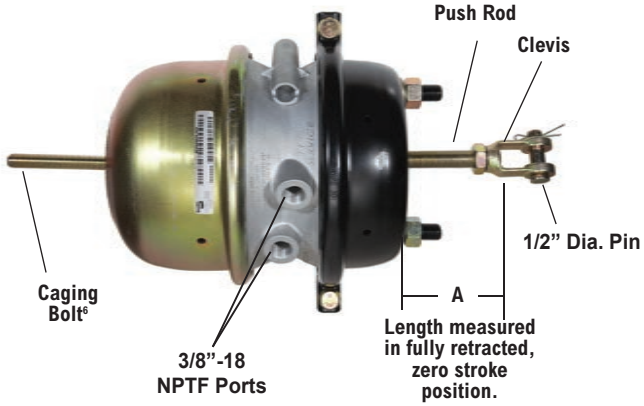


Yoke Assembly Pc. No.	A End to Pin	B Slot Width	C Pin Dia.	D Thread Size
205948N	1-3/4"	9/16"	1/2"	1/2-20
228790N	1-3/4"	9/16"	1/2"	5/8-18
228798N	1-3/4"	9/16"	5/8"	5/8-18
229496N	1-7/8"	13/16"	3/4"	5/8-18
282592N	2"	13/16"	3/4"	3/4-16

Spring Brakes

V.M.R.S. 13-010-025

SD-02-4500



Model & Type	Stroke	A Push Rod Length ¹	Spring Brake Service New Pc. No.		Piggyback Kit ³	Piggyback	Rubber Service Diaphragm ⁴	Clamp Band	Dust Plug ⁵	Service Return Spring
			w/o Clevis	w/Clevis ²						
SB-4™ 20/24	2.25"	8.20"	800828	5007129	K027229	5007123	802488	800908	K034202	800919
EverSure® 20/24	2.50"	5.62"	NT2024LS-56	—	NT2024LS-KIT	NT2024LS-PIG	K025490	800908	K034202	K088770
		8.00"	NT2024LS-80	—						
		2.25"	—	NT2024LS-WC (Welded Clevis)						
EverSure® 20/30	2.50"	5.62"	NT2030STD-56	—	NT2030LS-KIT	NT2030LS-PIG	K073327	800908	K056732	K111604
		8.00"	NT2030STD-80	—						
		2.25"	—	NT2030STD-WC (Welded Clevis)						
SB-4™ 24/24	2.50"	8.00"	800829	5007130	K027230	5007124	802489	800909	K034202	800919
		9.75"	K026559	—						
EverSure® 24/24	2.50"	5.62"	NT2424LS-56	—	NT2424LS-KIT	NT2424LS-PIG	802489	800909	K034202	K088770
		8.00"	NT2424LS-80	—						
		2.25"	—	NT2424LS-WC (Welded Clevis)						
EverSure® 24/30 ELS	3.00"	5.62"	NT2430ELS-56	—	NT2430STD-KIT	NT2430STD-PIG	K071148	800909	K057632	K111604
		8.00"	NT2430STD-80	—						
		2.25"	—	NT2430STD-WC (Welded Clevis)						
SB-4™ 24/30	2.50"	8.00"	800830	5007131	K027231	5007125	802489	800909	K034202	800919
		9.75"	K026561	—						
SB-4™ 24/30 ELS	3.00"	7.80"	5010434	5010402	5011593	801376N	801378	800909	K034202	800920
EverSure® 30/30	2.50"	5.62"	NT3030STD-56	NT3030STD-56TC	NT3030STD-KIT	NT3030STD-PIG	K037502	800910	K057632	800919
		7.80"	NT3030STD-78	NT3030STD-78TC						
		9.75"	K049898	—						
		12.00"	NT3030STD-120	NT3030STD-120TC						
		2.25"	—	NT3030STD-WC (Welded Clevis)						
EverSure® 30/30 ELS	3.00"	8.00"	NT3030ELS-80	NT3030ELS-80TC	NT3030ELS-KIT	NT3030ELS-PIG	801379	800910	K057632	800920
		9.91"	NT3030ELS-99	—						
		2.25"	—	NT3030ELS-WC (Welded Clevis)						
SB-4™ 30/36	2.50"	7.80"	800832	—	K024654	5007127	802490	800910	802067	800919
		9.05"	5007133	—						
		2.25"	—	K102314 (Welded Clevis)						
SB-4™ 30/36 ELS	3.00"	5.62"	K093670	—	K093406	K093405	801379	800910	802067	K088770
		8.00"	K093671	—						
		2.25"	—	K093672 (Welded Clevis)						
SB-4™ 36/36 ELS	3.00"	8.50"	800833	5007134N	K027243	5007128	802491	800911	802067	800920

¹ Push rod length measured in the fully retracted, zero stroke position.

² Yoke piece number 228790N is included for non-welded clevis models. See Clevis/Yoke Assembly information section.

³ Piggyback kit includes: Piggyback assembly, clamp bands with hardware, and a rubber service diaphragm.

⁴ Service diaphragm piece number 802490 should be used when servicing earlier Bendix® Type 30/30 spring brake assemblies with a 2.50" stroke.

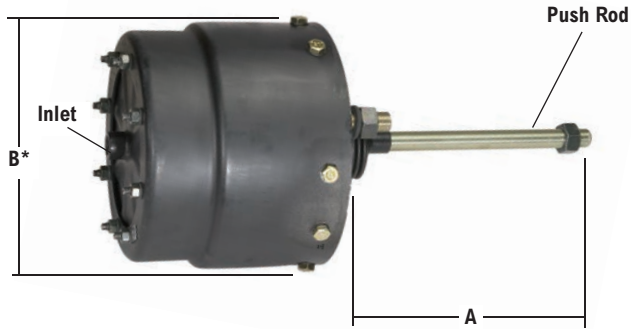
⁵ Dust plug piece number K034202 should be used if servicing earlier Bendix® SB-4™ Type 30/30 spring brake assemblies.

Rotochambers

V.M.R.S. 13-010-034

[i SD-02-1336](#)

Fully Threaded Push Rod



Spring



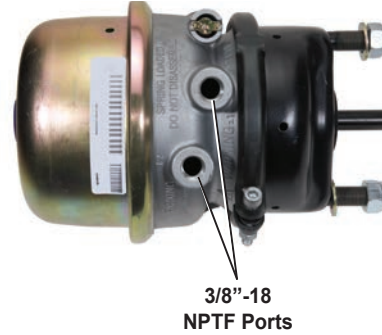
Diaphragm

Type	Service New Pc. No.	Port Size (NPT)	A Push Rod Length	Push Rod Thread	B Diameter*	Diaphragm Material and Size			Spring
						Rubber	Neoprene	C Diameter	
T9	229814N	1/4"-18	13"	1/2"-20	4-3/4"	231472	236524	4-5/16"	231481
T12	229815	3/8"-18	11"	1/2"-20	5-9/32"	231506	236525	4-27/32"	231513
T16	229816N	3/8"-18	7-7/8"	1/2"-20	5-7/8"	231525	236526	5-7/16"	231531
T20	229817N	3/8"-18	6-7/8"	1/2"-20	6-13/32"	231982	236527	5-31/32"	231933
T24	229818N	1/4"-18	5-13/16"	1/2"-20	6-15/16"	231516	236528	6-7/16"	231522
T30	229819N	1/4"-18	9-1/16"	5/8"-18	7-17/32"	231543	236529	7-3/32"	231549
T36	229820N	1/4"-18	8-1/16"	5/8"-18	8-5/32"	231534	236530	7-21/32"	231540
T50	229821N	3/8"-18	10-15/16"	3/4"-16	9-13/32"	231491	236531	8-29/32"	231498

* Diameter "B" measurement includes the bolt heads.

Bendix® EverSure® Air Disc Brake Spring Brake Chamber

V.M.R.S. 13-010-025



Type	Stroke	Spring Brake Service New Pc. No.	Diaphragm Kit	Clamp Ring Kit	Release Tool	Dust Plug	Bellows Kit
T16/24	2.25" (57 mm)	K042457	K052484	K090235	800921	K034202	K090594
T18/24	2.25" (57 mm)	K043329	K052484				
T20/24	2.50" (63 mm)	K041960	K052486	K090236			
T22/24	2.50" (63 mm)	K043148	K052487	K090237			
T24/24	2.50" (63 mm)	K043270	K052488				

The chamber type is noted as TXX/5.6kN on the chamber. Note that 5.6kN refers to the force of the power spring.

Air Disc Brake spring brake chamber for trailers piece number K026451 has been replaced by piece number K043329.

NG-3™ Piston Style Spring Brake Chamber

V.M.R.S. 13-010-025



Type	Stroke	Spring Brake Service New Pc. No.	Diaphragm Kit	Clamp Ring Kit	Bellows Kit
T14/24	2.25" (57 mm)	K026735	—	—	K090594
T16/24	2.25" (57 mm)	K026731	K052484	K090235	
T18/16	2.25" (57 mm)	K027557	K052485		
T18/24	2.50" (63 mm)	K025670	K052486	K090236	
T20/24	2.50" (63 mm)	K025669	K052486		
T22/24	2.50" (63 mm)	K026737	K052488	K090237	
T24/24	2.50" (63 mm)	K026734	K052488		

For additional air disc brake information, refer to section 23 of this catalog.

Air Disc Brake Service Chambers

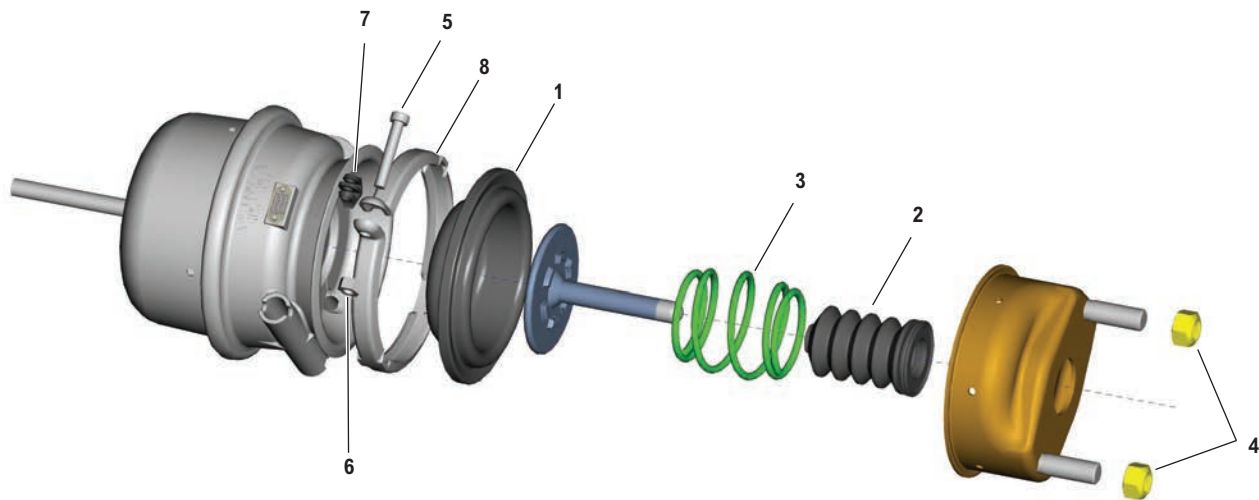
V.M.R.S. 13-010-034



Type	Service New Pc. No.	Stroke	Diaphragm Kit	Clamp Ring Kit	Bellows Kit
T12	K028227	2.25" (57 mm)	—	—	K090594
T14	K028039	2.25" (57 mm)			
T16	K028226	2.25" (57 mm)	K052484	K090235	
T18	K028022	2.50" (63 mm)	K052486	K090236	
T20	K028225	2.50" (63 mm)	K052486		
T22	K028238	2.50" (63 mm)	K052487	K090237	
T24	K028252	2.50" (63 mm)	K052488		

For additional air disc brake information, refer to section 23 of this catalog.

Maintenance Kits for Air Disc Brake Chambers



Item No.	Description	Kit Contents		
		Diaphragm Kit	Clamp Ring Kit	Bellows Kit
1	Diaphragm	1	—	—
2	Bellow	1	—	1
3	Spring	1	—	—
4	Lock Nut	2	—	2
5	Screw	1	1	—
6	Hex Nut	1	1	—
7	Spacing Sleeve	1	1	—
8	Clamp Ring	—	1	—
9	Grease Packet (not shown)	1	—	1

Caution: Be sure to follow the instruction sheet included in the kit when servicing.
 The replacement diaphragm must match the original diaphragm.
 The clamp band torque is 28 Nm. (20 ft-lbs)
 The mounting nut torque is 180 Nm. (133 ft-lbs)

For additional air disc brake information, refer to section 23 of this catalog.

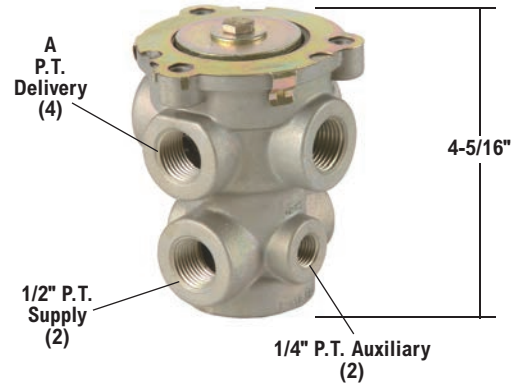
Bendix® E-2™ Brake Valve (Basic)

- Available Remanufactured Exchange
- Maintenance Kits
 - Pc. No. 276119N Minor Repair
 - Pc. No. 289324N Major Repair

Treadle and Mounting Plate not furnished.

V.M.R.S. 13-010-019
 i [SD-03-812](#)

Reman. Exch. Pc. No.	Service New Pc. No.	A Pipe Thread (Delivery)
229500RX	229500N	3/8"
229501RX	229501N	1/2"

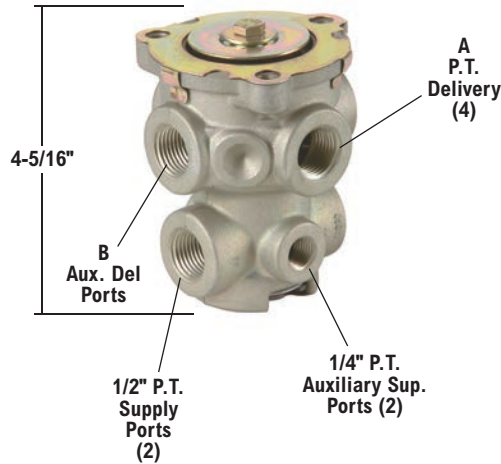


Bendix® E-3™ Brake Valve (Basic)

- Available Remanufactured Exchange
- Maintenance Kits
 - Pc. No. 276119N Minor Repair
 - Pc. No. 289329N Major Repair

Treadle and Mounting Plate not furnished.

V.M.R.S. 13-010-019
 i [SD-03-812](#)



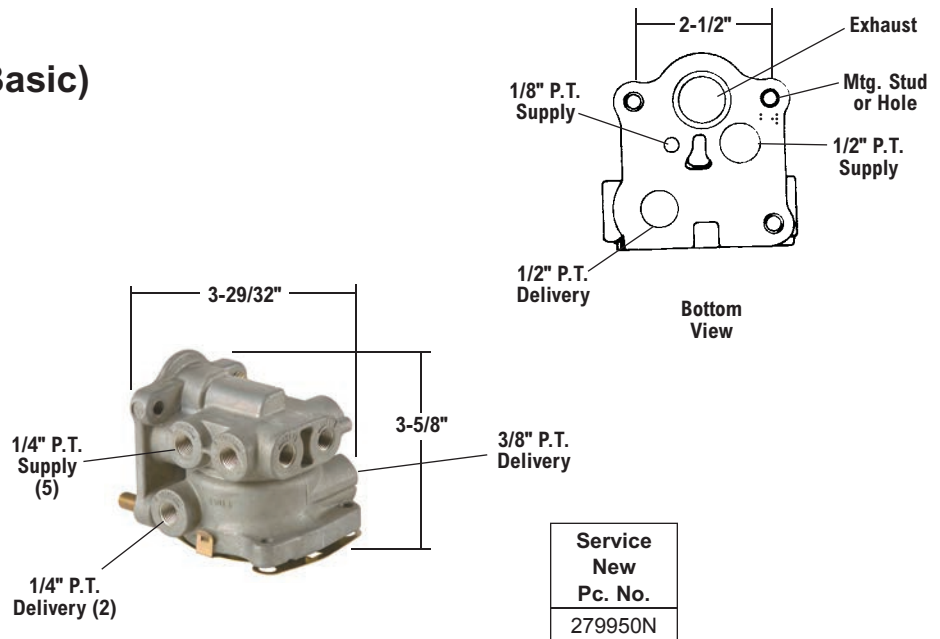
Reman. Exch. Pc. No.	Service New Pc. No.	A Pipe Thread (Delivery)	B Auxiliary Ports
277863RX	277863N	1/2"	NONE
278998RX	278998	1/2"	2-1/4"

Bendix® E-5™ Brake Valve (Basic)

- Available Remanufactured Exchange
- Maintenance Kits
 - Pc. No. 281084N Minor Repair
 - Pc. No. 289334N Major Repair

Pedal and Mounting Plate not furnished.

V.M.R.S. 13-010-019
 i [SD-03-816](#)



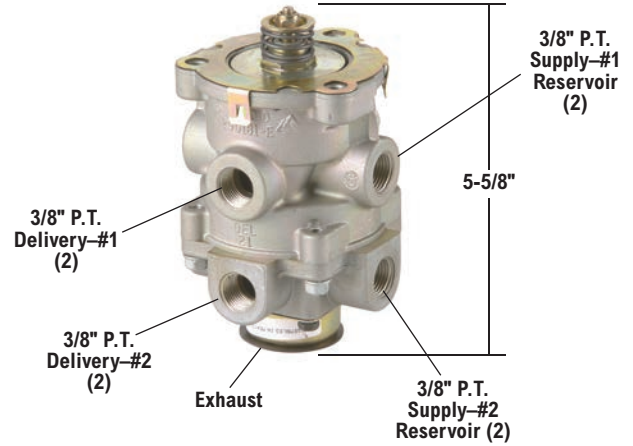
Service New Pc. No.
279950N

Bendix® E-6® Dual Brake Valve (Basic)

- Available Remanufactured Exchange
- Maintenance Kits
 Pc. No. 287368N Minor Repair
 Pc. No. 5019319 Minor Repair - High Temp
 Pc. No. 289335 Major Repair

Treadle and Mounting Plate not furnished.

V.M.R.S. 13-010-051
 ⓘ [SD-03-817](#)



Typical E-6 Brake Valve Assembly and Service Parts				
Service New Assembly Pc. No.	Service New Valve Pc. No.	Treadle	Mounting Plate	Plunger
286173N	286171N	226834N	236979N	236981N

Reman. Exch. Pc. No.	Service New Pc. No.	Comments
286171RX	286171N	
-	802911	High Temp.

Bendix® E-8P®, E-10P™ & E-10PR™ Dual Brake Valves

- Maintenance Kits
 Pc. No. 287368N Minor Repair
 Pc. No. 5019319 Minor Repair - High Temperature
 Pc. No. 289335 Major Repair

V.M.R.S. 13-010-051
 ⓘ [SD-03-830](#) and [SD-03-832](#)

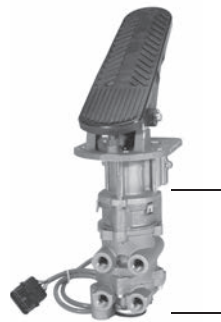
Service New Bendix® E-8P® Brake Valve	Replaces Bendix® E-12™ Brake Valve	Comments*
800629	065313, 800583	Lower Body Rotated 90°
800630	065458	Lower Body Rotated 90°
800631	065460, 800407	1/2" NPT Exhaust
802924	—	High Temp
800599	—	PTC Fittings
5008547	800171	Includes Valve and Plunger



Bendix® E-8P® Brake Valve



Bendix® E-10P™ Brake Valve



Bendix® E-10PR™ Brake Valve

Bendix® Basic Brake Valve

Service New Bendix® E-10P™ Brake Valve	Replaces Bendix® E-15™ Brake Valve
800632	065315 800318

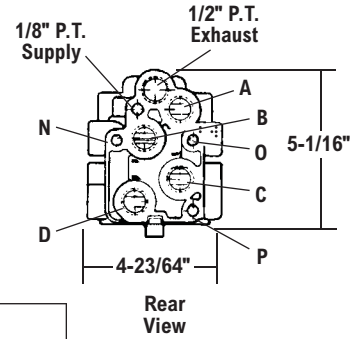
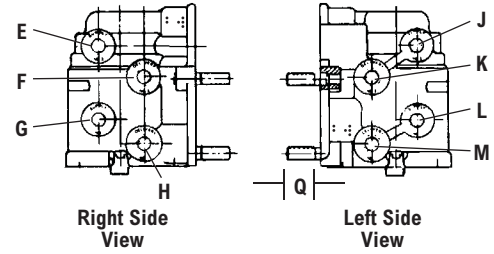
Service New Bendix® E-10P™ Brake Valve	Replaces Bendix® E-15™ Brake Valve
800632	800319

*PTC - Push-To-Connect Fittings

Typical E-8P Brake Valve Assembly and Service Parts					
Service New Assembly Pc. No.	Mounting Plate and Treadle	Treadle	Mounting Plate	Treadle	Plunger
800633	103197N	109428	236979N	109176	112336

Bendix® E-7™ Dual Brake Valve (Basic)

- Available Remanufactured Exchange
- Maintenance Kits
 - Pc. No. 289352 Minor Repair
 - Pc. No. 289353 Major Repair
 - Pc. No. 261047 O-Ring Kit



Pedal and Mounting Plate not furnished.

V.M.R.S. 13-010-051

[i SD-03-818](#)

Reman. Exch. Pc. No.	Service New Pc. No.	Port Thread Sizes & Locations												Mtg. Studs in Positions "N", "O" "P" Above	Stud Length Q	Stud Thread Size
		A	B	C	D	E	F	G	H	J	K	L	M			
†284760RX	†284760N	No Thd	No Thd	No Thd	No Thd	1/4	-	1/4	-	-	-	-	-	No	-	-
286773RX	286773	1/2	1/2	1/2	1/2	1/4	1/4	1/4	1/4	1/4	1/4	1/4	1/4	Yes	1-1/2"	3/8"-24
286775RX	-	1/2	1/2	1/2	1/2	1/4	1/4	1/4	1/4	1/4	1/4	1/4	1/4	Yes	3/4"	3/8"-16
287411RX	287411N	1/2	1/2	1/2	1/2	1/4	1/4	1/4	1/4	3/8	3/8	3/8	3/8	No	-	-
*287564RX	*287564N	1/2	1/2	1/2	1/2	1/4	3/8	1/4	3/8	1/4	1/4	1/4	1/4	Yes	15/16"	3/8"-16
*288383RX	*288383N	1/2	1/2	1/2	1/2	1/4	1/4	1/4	1/4	1/4	1/4	1/4	1/4	No	-	-
101818RX	101818N	1/2	1/2	1/2	1/2	1/4	3/8	1/4	3/8	1/4	3/8	1/4	3/8	No	-	-

† Ford® Basic Valve Kit: Includes a basic valve and 10 sealing rings.

* Exhaust port contains a diaphragm.

Bendix® E-10™ Dual Brake Valves (Basic)

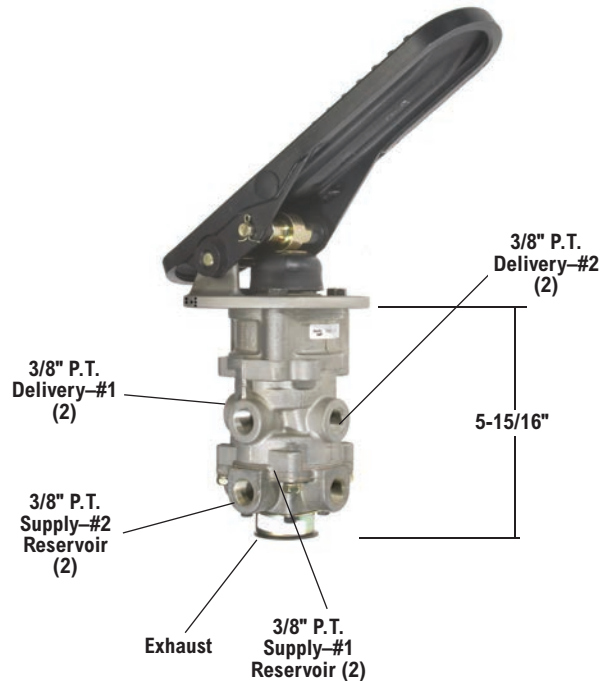
- Maintenance Kit
 - Pc. No. 102100

Treadle and Mounting Plate not furnished.

V.M.R.S. 13-010-051

[i SD-03-817](#)

Reman Exch. Pc. No.	Service New Pc. No.
101100RX	101100N

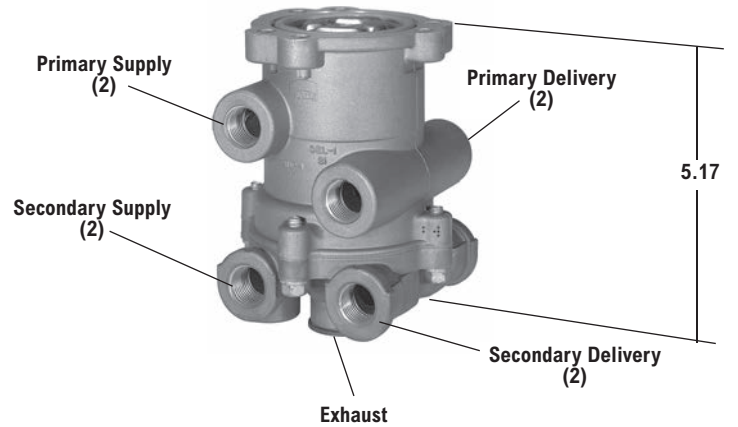


Bendix® E-12™ & E-15™ Dual Brake Valves

• Maintenance Kit Pc. No. 108367 Minor Repair

V.M.R.S. 13-010-051

[SD-03-826](#)

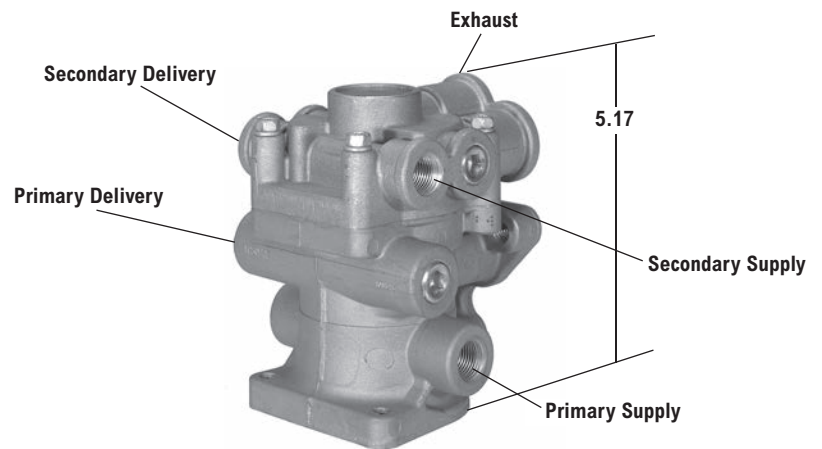


Bendix® E-14™ Dual Brake Valve (Basic)

• Maintenance Kit Pc. No. 108367 (Minor Repair)

V.M.R.S. 13-010-051

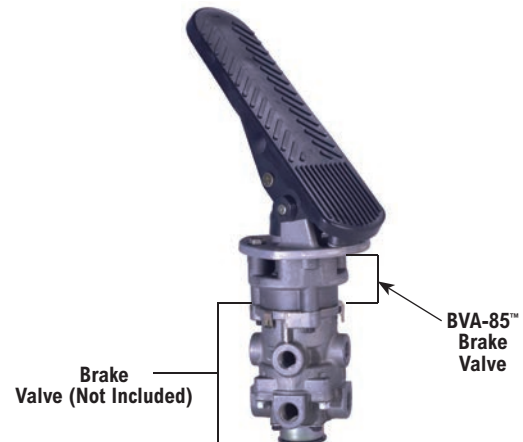
[SD-03-828](#)



Bendix® BVA-85™ Brake Valve Actuator

Service New Pc. No.	Comments*
5009593	1/4" PTC Port
5009594	1/4" NPT Port
K039060	1/4" NPT Port - High Temp.

*PTC - Push-To-Connect Fittings



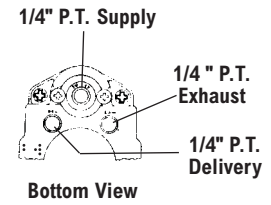
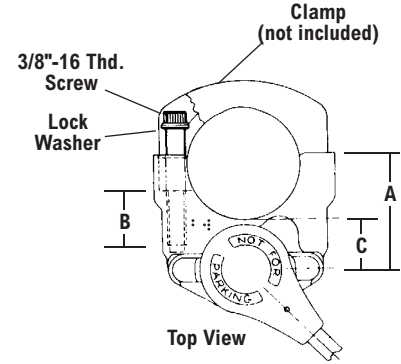
Bendix® TC-2™ Brake Valve (Basic)

- Available Remanufactured Exchange
- Maintenance Kit Pc. No. 276122

Handle not furnished.

V.M.R.S. 13-010-014

[SD-03-813](#)



Reman. Exch. Pc. No.	Service New Pc. No.	Graduated Range Pressure (psi)	Final Delivery Pressure (psi)	A	B Thd./Drill Depth	C
-	101460	5-125	125	2.35"	1.4"	.97"
276270RX	276270N	5-80	Reservoir	3.44"	1.1"	2.1"
-	800172	5-125	Reservoir	1.25"	Through	.09"
-	800173	5-80	80	1.25"	Through	.09"
-	802634	5-80	80	3.44"	1.1"	2.1"

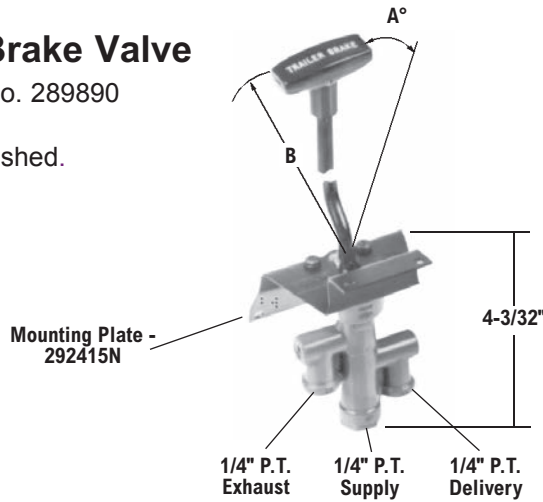
Bendix® TC-6™ Brake Valve

- Maintenance Kit Pc. No. 289890

Mounting Plate not furnished.

V.M.R.S. 13-010-159

[SD-03-821](#)



Service New Pc. No.	Handle		Final Delivery Pressure (psi)
	A°	B	
065512	55	7.03"	85
106385	55	8.93" Self-returning	85
101786N	75	8.52"	120
289884N	75	4.5"	120
289885N	75	4.5"	50
5003601N	55	8.9"	85

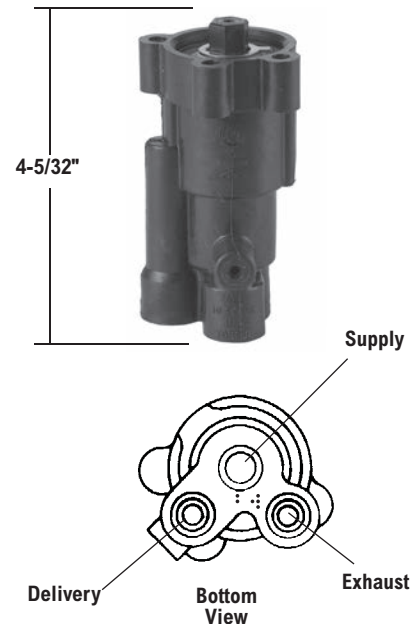
Bendix® TC-7™ Brake Valve

- Maintenance Kit Pc. No. 102145

Handle and Mounting Bracket not furnished.

V.M.R.S. 13-010-159

[SD-03-824](#)



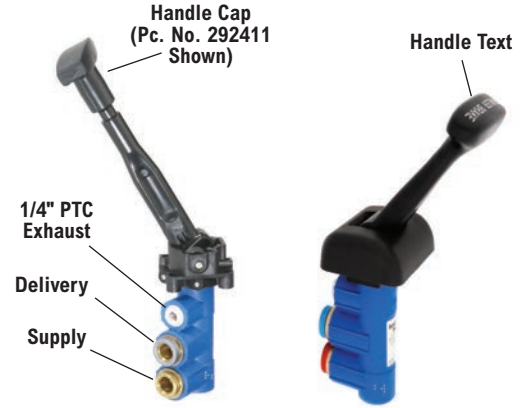
Service New Pc. No.	Comments	Handle Travel	Final Delivery Pressure	Port Sizes
101860	Positioning	71° CW	Reservoir	1/4" PT
102394N	Self-returning.	71° CW	Reservoir	1/4" PT
102707	Positioning	50° CW	80 psi	1/4" PT
108233N	Self-returning.	50° CW	80 psi	1/4" PT
800960	Positioning	71° CW	Reservoir	3/8" PTC
802672	Self-returning.	71° CW	Reservoir	3/8" PTC

*PTC - Push-To-Connect Fittings

Bendix® TCS-9000™ Control Valve

[SD-03-3674](#)

Service New Pc. No.	Supply	Delivery	Comments	Handle Text
802033	3/8"	3/8"	Self-returning	No Handle Cap
K031988	3/8"	3/8"	Self-returning	No Handle Cap
K024944	1/4"	1/4"	Self-returning	Rear Brake
K024946	3/8"	3/8"	Self-returning	Trailer Brake
K024947	3/8"	3/8"	Self-returning	Rear Brake
K024948	3/8"	3/8"	Positioning	Trailer Brake - Not for Parking



*PTC – Push-To-Connect Fittings

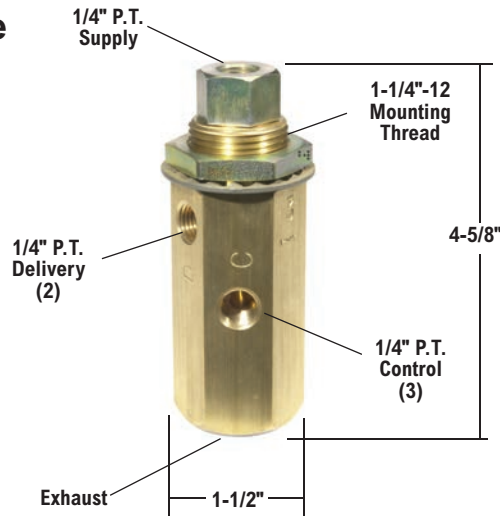
Bendix® TR-2™ Inversion Valve

- Available Remanufactured Exchange
- Maintenance Kit 281138N

V.M.R.S. 13-010-047

[SD-03-4650](#)

NOTE: With 125 psi supply pressure, valve must begin to exhaust at 65 psi nominal ascending control pressure. Valve must deliver full supply pressure with 40 psi nominal descending control pressure.



Reman. Exch. Pc. No.	Service New Pc. No.	Comments
277340RX	277340N	—
—	101125N	Brass Body

Bendix® TR-3™ Inversion Valve

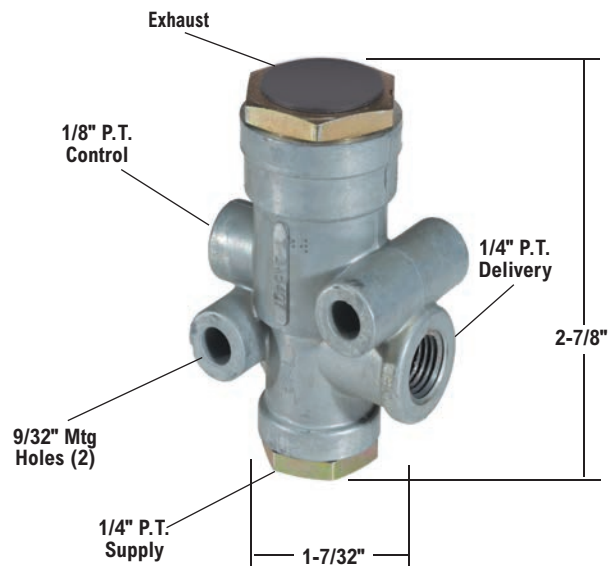
- Available Remanufactured Exchange

V.M.R.S. 13-010-047

[SD-03-4650](#)

NOTE: With common control & supply pressure, inlet opens at “A” descending pressure and exhaust opens at “B” ascending pressure.

Reman. Exch. Pc. No.	Service New Pc. No.	A (psi)	B (psi)
—	280758N	45	60
281318RX	281318N	35	70
281459RX	281459N	25	40
*101450RX	*101450N	25	40



*Special-Duty Bus Application

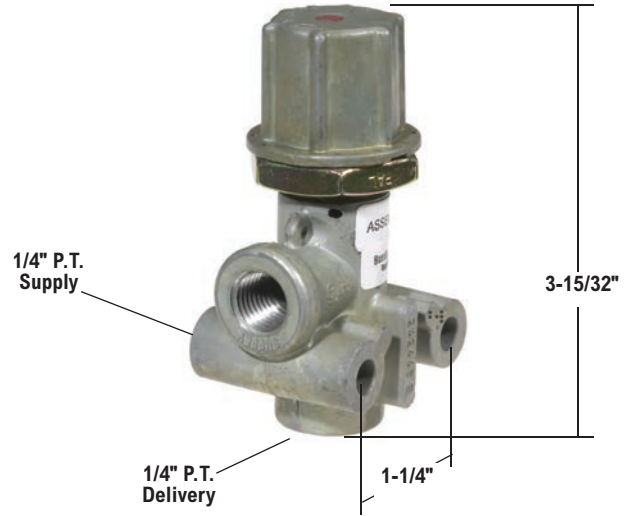
Bendix® PR-2™ Pressure Protection Valve

V.M.R.S. 13-010-044

[i SD-03-2010](#)

With Adjustable Pressure Setting.

Reman. Exch. Pc. No.	Service New Pc. No.	Nominal Closing Pressure (psi)	Comments
277147RX	277147N	65	
277148RX	277148N	85	
—	277222N	95	
277226RX	277226N	60	
—	277227N	75	
—	279505N	65	w/lockwire
—	281467N	50	
—	282517N	60	w/lockwire



Bendix® PR-3™ Pressure Protection Valve

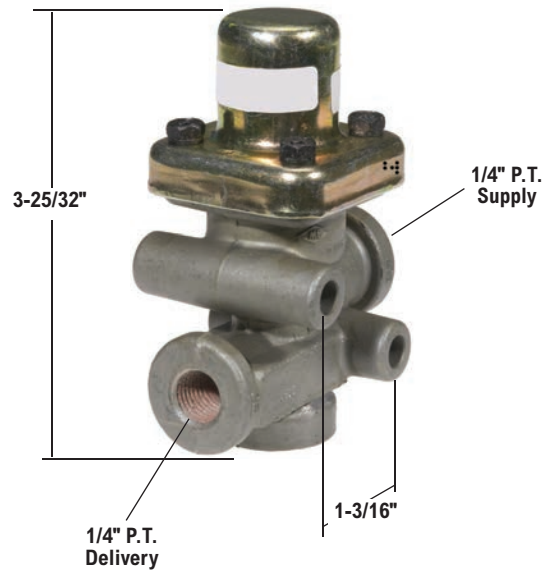
• Maintenance Kit Pc. No.

V.M.R.S. 13-010-044

[i SD-03-2010](#)

Fixed Pressure Setting.

Service New Pc. No.	Opening Pressure (psi)	Nominal Closing Pressure (psi)
065211	92-98	—
065436	—	71-79
101275N	—	70
286460N	—	60
801624	100-106	90



Bendix® PR-4™ Pressure Protection Valve

• Maintenance Kit Pc. No. 287366

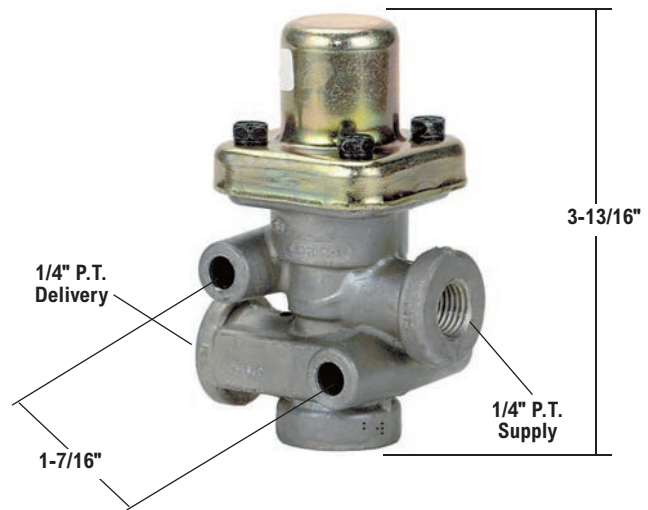
(Note: Not for use with Pc. No. 103976N)

V.M.R.S. 13-010-044

[i SD-03-2010](#)

Fixed Pressure Setting.

Reman. Exch. Pc. No.	Service New Pc. No.	Nominal Closing Pressure (psi)	Supply & Delivery Ports
286500RX	286500N	85	1/4"
288323RX	288323N	70	1/4"

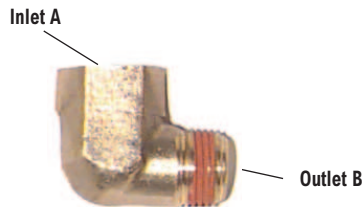
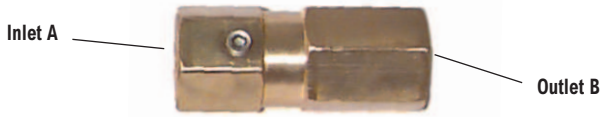


Bendix® Single Check Valves

• Bendix® SC-3™ valves replace both the Bendix® SC-1™ and SC-2™ valves

V.M.R.S. 13-010-013

[SD-03-2205](#)



Single Check Valve: Female inlet – Female outlet		
A	B	Service New Pc. No.
1/4"	1/4"	801144
1/2"	1/2"	800370
3/4"	3/4"	800369

Single Check Valve: Female inlet – Male outlet		
A	B	Service New Pc. No.
1/4"	1/8"	800374
1/4"	1/4"	800375
3/8"	3/8"	800373
1/2"	1/2"	800372

Single Check Valve: Female inlet – Male outlet		
A	B	Service New Pc. No.
1/2"	1/2"	800376

Composite Single Check Valve: Female inlet – Male outlet		
A	B	Service New Pc. No.
1/2" PTC	1/2"	K114066

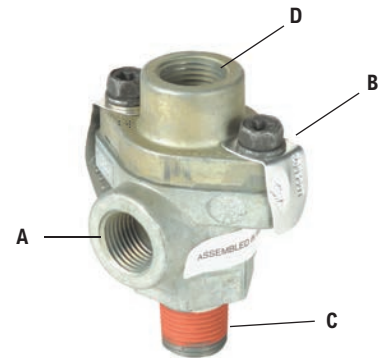
Bendix® Double Check Valves

V.M.R.S. 13-010-092

[SD-03-2202](#)



Service New Pc. No.	Pipe Thread Dimensions		
	A	B	C
278614N	3/8"	3/8"	3/8"
278615N	1/4"	1/4"	1/4"



Service New Pc. No.	Pipe Thread Dimensions			
	A	B	C	D
278595N	1/4"	1/4"	1/2"	1/4"
278596N	3/8"	3/8"	1/2"	1/4"
278597N	1/4"	1/4"	3/8"	1/4"
278598N	3/8"	3/8"	3/8"	1/4"
280809N	3/8"	3/8"	3/8"	3/8"



The name says it all.



1-800-AIR-BRAKE (1-800-247-2725)
Bendix Commercial Vehicle Systems LLC
www.bendix.com

Get convenient, quick and easy access to the Bendix service and support areas you call most at **1-800-AIR-BRAKE (1-800-247-2725)**.

One number puts you in touch with a host of Bendix experts, including our seasoned technical support professionals, our customer service team, and even order assistance. Get answers to your warranty questions, learn about our latest air brake training schools and so much more. It's all right at your fingertips. Call us today!



Call **1-800-AIR-BRAKE** to reach Bendix Commercial Vehicle Systems LLC

Press

1	for Customer Service or to Place An Order
2	for Product Technical Assistance (Tech Team)
3	for Air Brake Training
4	for a List of Bendix Aftermarket Account Managers
5	for Ordering Product Literature
6	for bendix.biz Support Specialist
9	to Repeat the Menu
0	for a Bendix Operator

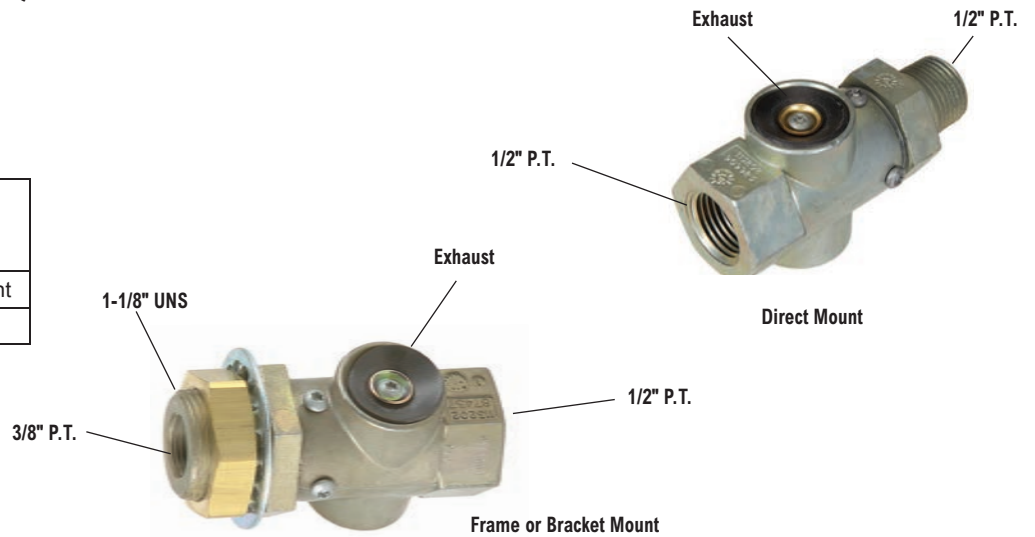
or visit us online at **www.bendix.com**.

Bendix® QR-L™ Inline Quick Release Valve

V.M.R.S. 13-010-008

[SD-03-906](#)

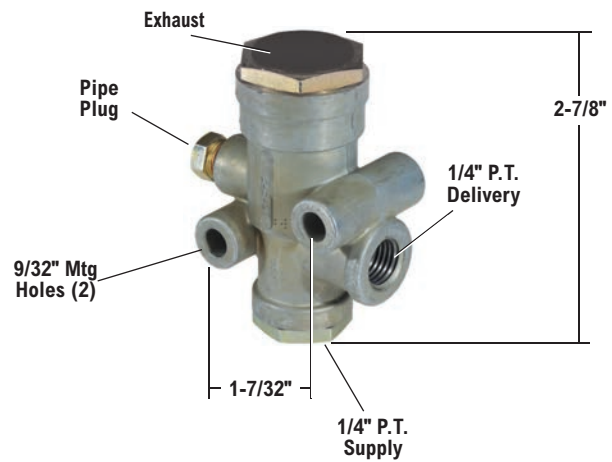
Service New Pc. No.	Comments
800332	Frame or Bracket Mount
800333	Direct Mount



Bendix® RV-3™ Pressure Reducing Valve

[SD-03-3515](#)

Service New Pc. No.	Delivery Pressure (psi)
101837N	85
107154N	44



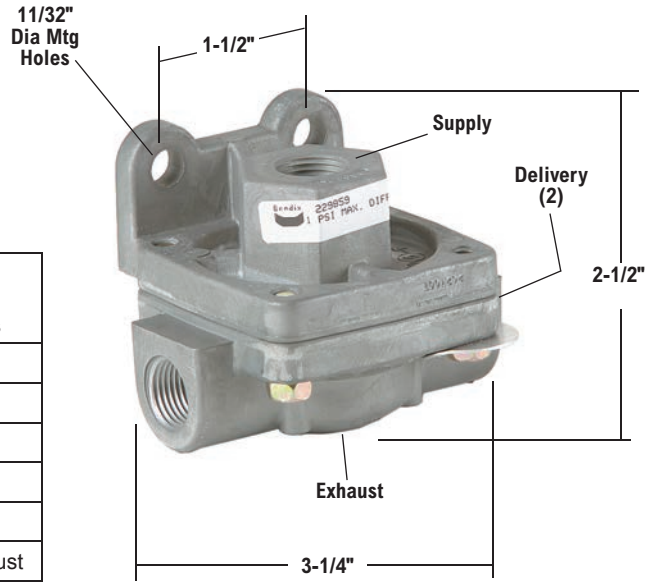
Bendix® QR-1® Quick Release Valve

- Available Remanufactured Exchange
- Use maintenance kit piece no. 260519 to convert 0 psi crack pressure valves to 1 psi

V.M.R.S. 13-010-008

[SD-03-901](#)

Reman. Exch. Pc. No.	Service New Pc. No.	Supply Port (PT)	Delivery Ports (PT)	Crack Pressure (psi)	Comments
229813RX	229813N	3/8"	1/4"	0	
229844RX	229844N	1/2"	1/4"	0	
229859RX	229859N	3/8"	3/8"	0	
229860RX	229860N	1/2"	3/8"	0	
281024RX	281024N	1/4"	1/4"	0	
288251RX	288251N	3/8"	3/8"	0	3/8" PT Exhaust
278483RX	278483N	1/2"	3/8"	5-8	
-	102344N	3/8"	3/8"	10-16	
289525RX	289042N	3/8"	1/4"	1 max	w/ insert
289525RX	289525N	3/8"	3/8"	1 max	w/ insert



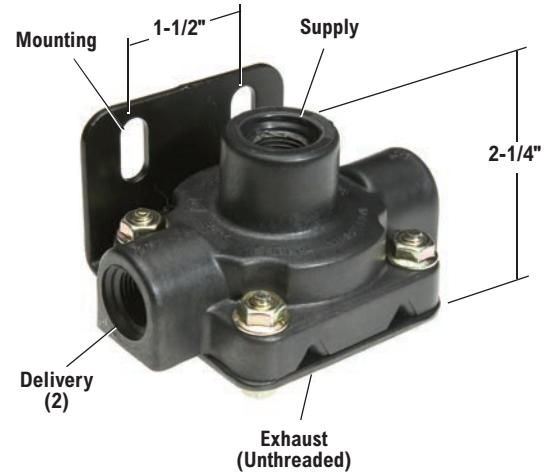
Bendix® QRN™ Quick Release Valve

- Maintenance Kit 104463

V.M.R.S. 13-010-008

[SD-03-905](#)

Service Part No.	Mounting Hole or Slot	Differential Pressure (psi)	Supply Port*	Delivery Port*
802741	.34" Dia	5-8	3/8" PT	3/8" PT
802742	.34" Dia	5-8	1/2" PT	3/8" PT
802743	.34" Dia	1 Max	3/8" PT	3/8" PT
802744	Slot .75 x .34 in	1 Max	3/8" PT	3/8" PT
802745	.34" Dia	1 Max	1/2" PT	3/8" PT
803074	Slot .75" x .34"	2-4.5	3/8" PT	3/8" PT
803075	Slot .75" x .34"	2-4.5	1/2" PT	3/8" PT
803076	Slot .75" x .34"	4.5-7.5	3/8" PT	3/8" PT
803077	Slot .75" x .34"	4.5-7.5	1/2"-14 PT	3/8" PT
K022145	.34" Dia	1 Max	3/8" PT	3/8" PT
K027097	N/A	1 Max	1/2" PT	3/8" PT
K027098	N/A	2-4.5	1/2" PT	3/8" PT
K049775	Slot .75" x .34"	0	1/2" PTC	1/2" PTC
K049776	Slot .75" x .34"	0	1/2" PT	3/8" PT
K049777	Slot .75" x .34"	0	3/8" PT	3/8" PT



Silencer Kit Complete (Adapter & Silencer)	Silencer Adapter	Silencer
K028796	K023669	K028795

*PTC - Push-To-Connect Fittings

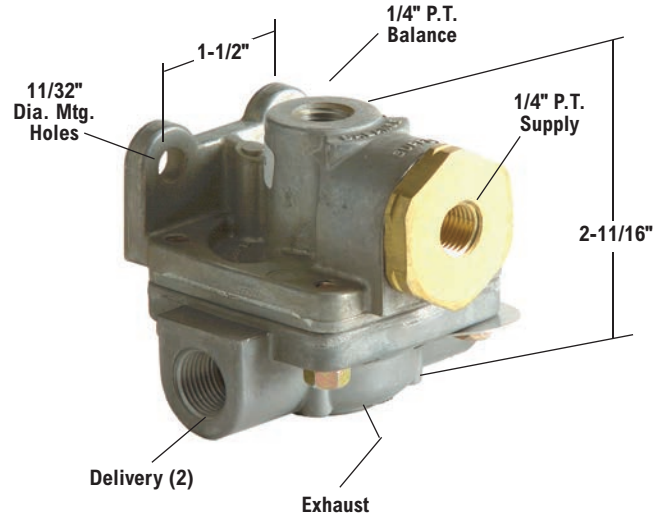
Bendix® QR-1C® Quick Release Valve

- Available Remanufactured Exchange
- Use maintenance kit piece no. 260519 to convert 0 psi crack pressure valves to 1 psi

V.M.R.S. 13-010-008

[SD-03-904](#)

Reman. Exch. Pc. No.	Service New Pc. No.	Delivery Port (P.T.)	Exhaust Port (P.T.)	Crack Pressure (psi)
289182RX	289182N	1/4"	–	0
289714RX	289714N	3/8"	–	0
–	107881N	3/8"	1/2" w/ Silencer	0
–	800539	3/8"	–	1 Max
–	109094N	3/8"	–	5-8



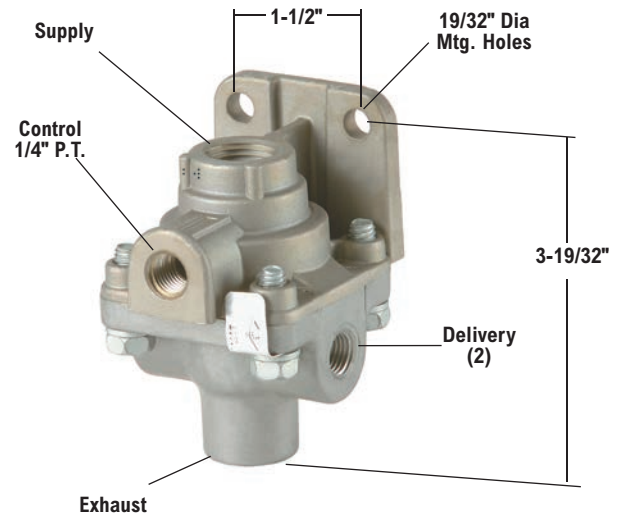
Bendix® LQ-2™ Limiting and Quick Release Valve

- Available Remanufactured Exchange
- Maintenance Kit 282098N

V.M.R.S. 13-010-008

[SD-03-950](#)

Reman. Exch. Pc. No.	Service New Pc. No.	Supply Port (P.T.)	Delivery Port (P.T.)	Exhaust Port (P.T.)
229505RX	229505N	3/8"	3/8"	–
229507RX	229507N	1/2"	1/4"	–
229509RX	229509N	3/8"	1/4"	–
288417RX	288417N	3/8"	3/8"	3/8"



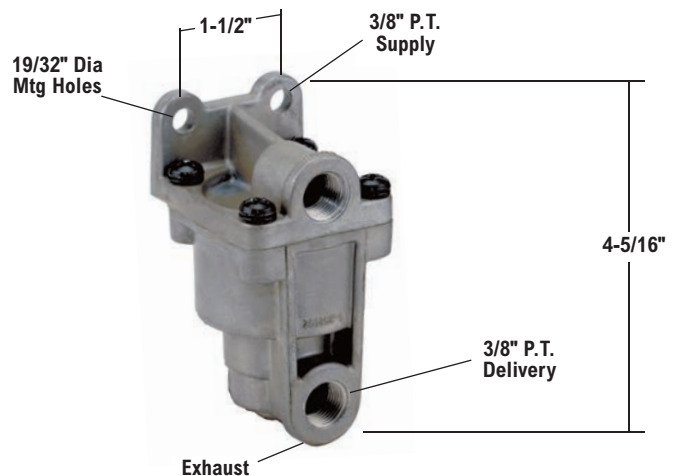
Bendix® LQ-4™ Front Axle Ratio Valve

- Available Remanufactured Exchange
- Maintenance Kit 289500N

V.M.R.S. 13-010-034

[SD-03-951](#)

Reman. Exch. Pc. No.	Service New Pc. No.	Nominal Hold Off Pressure (psi)	Nominal Equalizing Pressure (psi)
101311RX	101311N	20	70
289144RX	289144N	4	60
289148RX	289148N	10	65

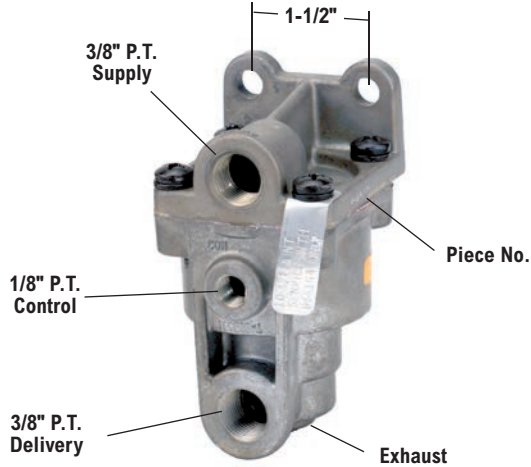


Bendix® LQ-5™ Bobtail Limiting Valve

- Available Remanufactured Exchange
- Maintenance Kit 107195

V.M.R.S. 13-010-010
 i [SD-03-953](#)

Reman. Exch. Pc. No.	Service New Pc. No.
065154RX	065154



Bendix® BP-1™ Air Brake Proportioning Valve

- BP-1™ Air Brake Proportioning Valve Front Maintenance Kit 104710
- BP-1™ Air Brake Proportioning Valve Rear Maintenance Kit 104711

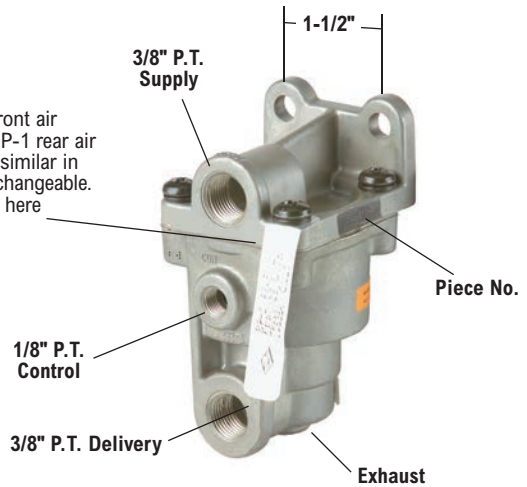
i [SD-03-952](#)
 V.M.R.S. 13-010-222

Front Service New Pc. No.	Nominal Hold Off Pressure (psi)	Nominal Equalizing Pressure (psi)
104598N	4	50

V.M.R.S. 13-010-222

Rear Service New Pc. No.	Nominal Inshot Pressure (psi)	Nominal Equalizing Pressure (psi)
106284	8	105

Caution: The Bendix® BP-1™ front air brake proportioning valve & BP-1 rear air brake proportioning valve are similar in appearance but are NOT interchangeable. Note identification tag located here



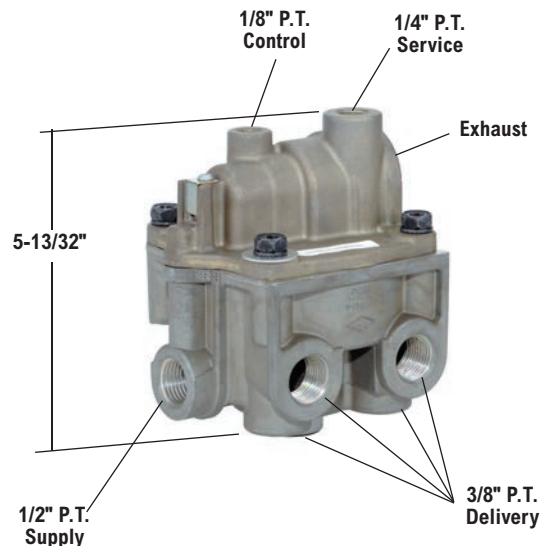
- Field Installation Kit **209924** (vehicles *with* front axle limiting)

BP-R1® Bobtail Brake Proportioning Relay Valve

- Maintenance Kit 106932
- Universal Mounting Bracket 296010N furnished with Exchange Valve

V.M.R.S. 13-010-222
 i [SD-03-1067](#)

Reman. Exch. Pc. No.	Service New Pc. No.	Crack Pressure
065145RX	065145N	4
065146RX	065146N	5.5



Bendix® PP-1® Control Valve

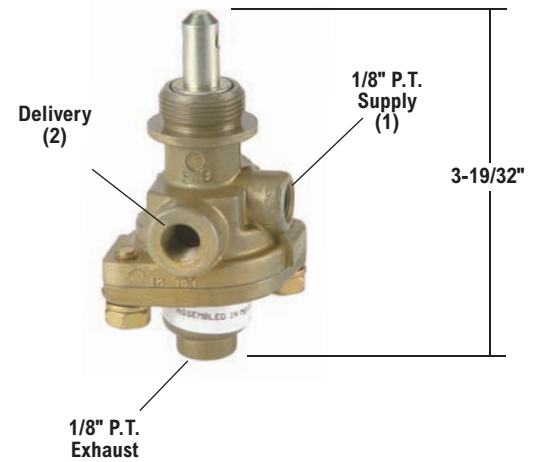
- Available Remanufactured Exchange
- Maintenance Kit 281126N
- Button and Mounting Nut not furnished with Exchange Valve - common Pc. No. 239357
- Typical Button (Yellow) and Pin Kit Pc. No. 102087N
- Typical Mounting Nut Pc. No. 239357N

V.M.R.S. 13-010-016

[SD-03-3611](#)

Reman. Exch. Pc. No.	Service New Pc. No.	Automatic Release Pressure (psi)	Delivery Port (P.T.)
276566RX	276566N	20	1/8"
276567RX	276567N	40	1/8"
278450RX	278450N	—	1/8"
*281587RX	—	40	1/8"
283828RX	283828N	60	1/8"
287417RX	287417N	30	1/4"
287600RX	287600N	40	1/4"

*Remote controlled



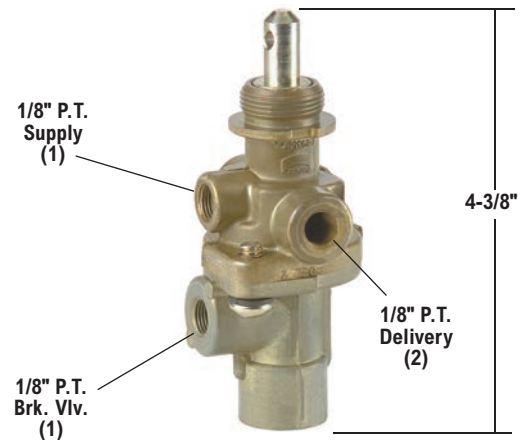
Bendix® PP-2™ Control Valve (Pressure Balanced)

- Available Remanufactured Exchange
- Maintenance Kit 281127N
- Button and Mounting Nut not furnished with Exchange Valve

V.M.R.S. 13-010-104

[SD-03-3611](#)

Reman. Exch. Pc. No.	Service New Pc. No.	Automatic Release Pressure (psi)
276462RX	276462N	40



Bendix® PP-3™ Control Valve (Automatic Tripper)

- Available Remanufactured Exchange
- Maintenance Kit 280857N
- Button and Mounting Nut not furnished with Exchange Valve

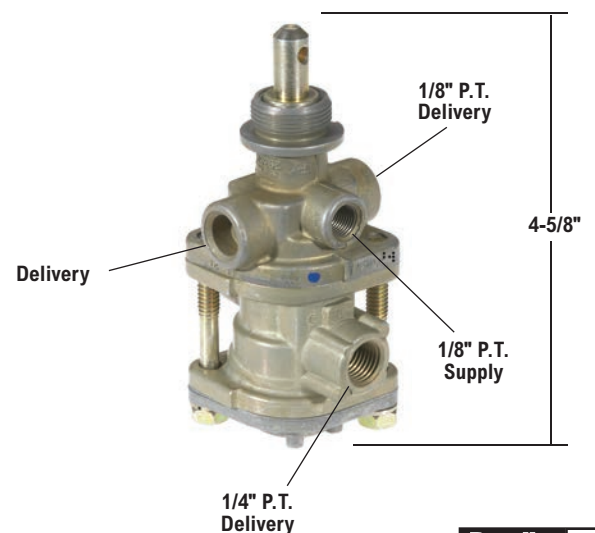
V.M.R.S. 13-010-016

[SD-03-3613](#)

Reman. Exch. Pc. No.	Service New Pc. No.	Delivery (P.T.)
†*279787RX	†*279787	None
288746RX	288746N	None
289477RX	289477	1/8"
*289512RX	—	1/8"

Tripper Exhausts at 30 psi & Charges above 50 psi. Plunger Trips at 40 psi and Charges Manually.

*Remote Controlled
†Mounting Nut Furnished



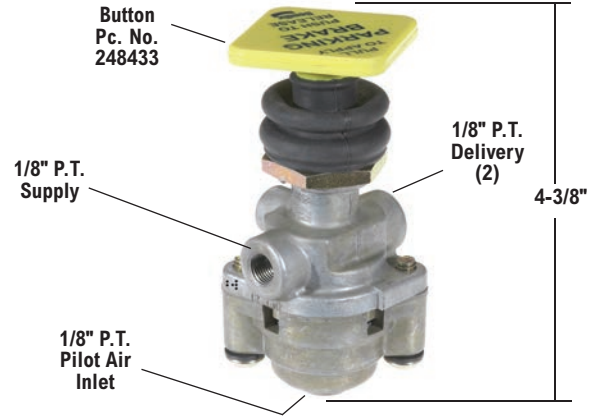
Bendix® PP-5™ Control Valve (With Pilot Air Release)

- Maintenance Kit 281949
- Button is Furnished with Valve Pc. No. 284744N

V.M.R.S. 13-010-104

[SD-03-3611](#)

Service New Pc. No.	Automatic Release Pressure (psi)
281946N	40
284744N	Manual



Bendix® PP-7™ Trailer Supply Valve

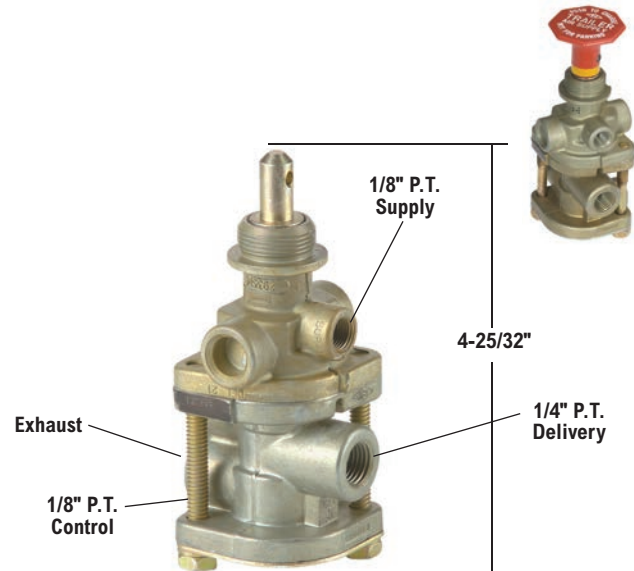
- Available Remanufactured Exchange
- Maintenance Kit 287367
- Button and Mounting Nut not furnished with Exchange Valve
- Typical Button (Red) Pc. No. 291624N
- Typical Mounting Nut Pc. No. 239357N

V.M.R.S. 13-010-016

[SD-03-3617](#)

Automatic Release Pressure 40 psi

Reman. Exch. Pc. No.	Service New Pc. No.	Comments
288239RX	288239N	-
288241X	106113	1/4" Exhaust (P.T.)
288242RX	288242	Remote Controlled



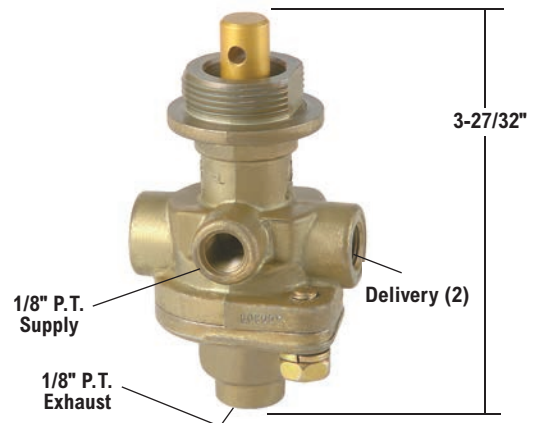
Bendix® PP-8™ Control Valve

- Available Remanufactured Exchange
- Button and Mounting Nut not furnished with Exchange Valve

V.M.R.S. 13-010-104

[SD-03-3611](#)

Reman. Exch. Pc. No.	Service New Pc. No.	Delivery Port (P.T.)
287238RX	287238N	1/8"
287418RX	287418N	1/4"



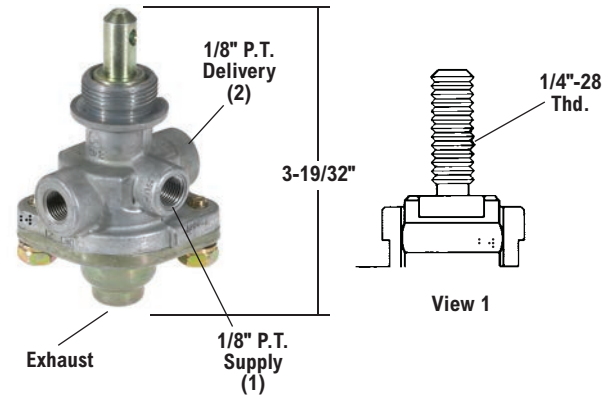
Bendix® RD-3™ Push Type Control Valve

- Available Remanufactured Exchange
- Maintenance Kit 281126N
- Button not furnished with Exchange Valve, Roll Pin Furnished
- Refer to Master Parts Catalog for Button or Dial Plate Pc. No.

V.M.R.S. 13-010-104

[SD-03-3611](#)

Service New Pc. No.	Comments
286211N	—
104644	See View 1



Bendix® E-Z-Grip® Soft Button Cover

Service New Pc. No.	Button Shape	Description
801526		Fits Bendix® MV-3®/PP-DC® Valve Style
801593		Fits Bendix® PP-1® Valve Style
802123		Fits Bendix® PP-7™ Valve Style
802124		Contains both Bendix® MV-3® Button Covers



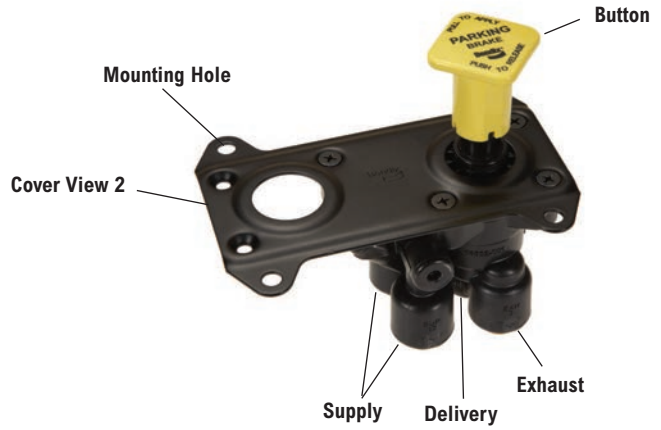
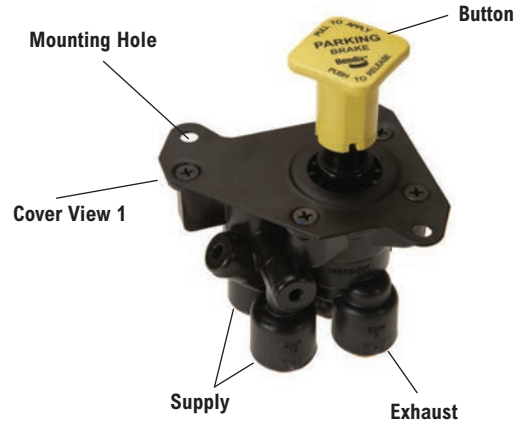
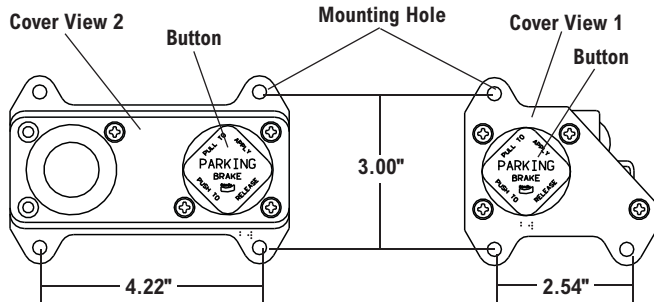
Button not included

Bendix® PP-DC® Control Valve

• Maintenance Kit 5006939

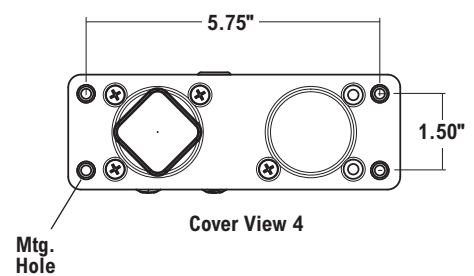
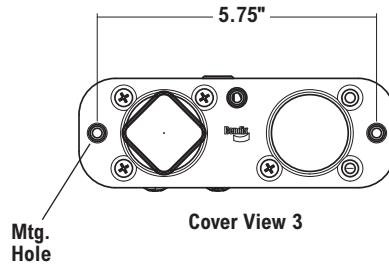
V.M.R.S. 13-101-017

[i SD-03-3619](#)



Service Pc. No.	Cover View	Mounting Holes	Port Type*
065643	2	.27" Dia.	3/8" PTC
065661	1	1/4-20 Thread	3/8" PTC
065690	1	.27" Dia.	3/8" PTC
800034	2	.27" Dia	1/4" NPT
800142	1	1/4-20 Thread	1/4" NPT
800309	3	M6 x 1-6H	3/8" PTC
800620	4	M8 x 1-6H	3/8" PTC
800841	2	M6 x 1-6H	3/8" PTC
801315	2	.27" Dia	3/8" PTC Elbow

*PTC - Push-To-Connect Fittings



Bendix® MV-3® Control Module

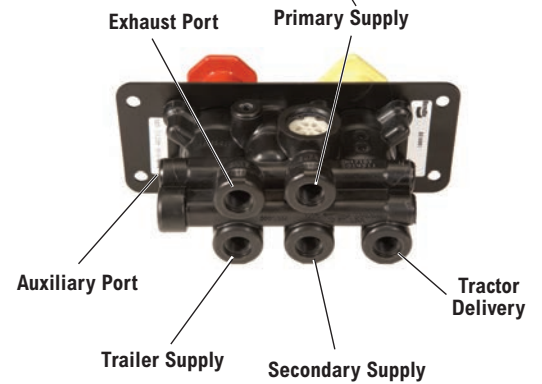
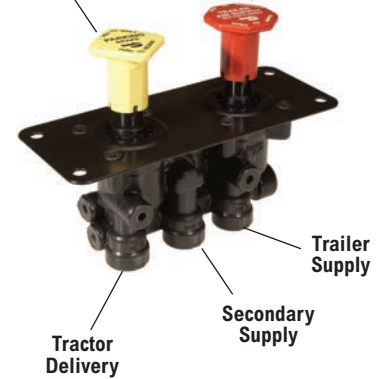
- Maintenance Kit 5002741
- Shuttle Kit 5002742

V.M.R.S. 13-010-112

SD-03-3415

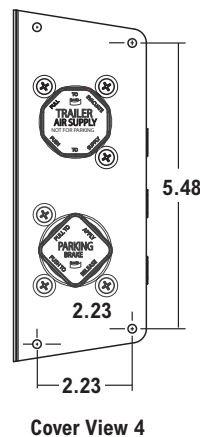
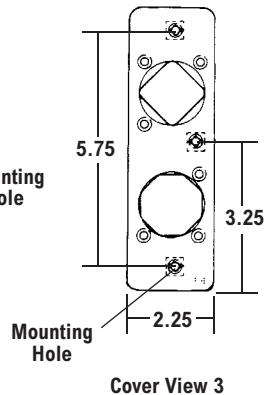
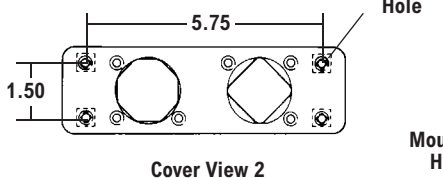
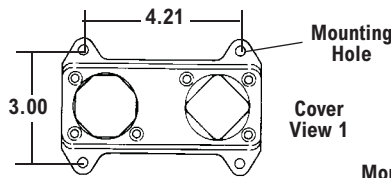


Typical Yellow Button Pc. No. 298818N
 Typical Red Button Pc. No. 298817N



Service New Pc. No.	Replaces	Cover View	Mounting Hole	Auxiliary Port	Port Type*
800257	065523	1	.28" Dia.	—	3/8" PTC
800259	800036	1	1/4-20 Thread	—	3/8" PTC
800260	—	1	M5 x .8-6H Thread	—	3/8" PTC
800445	—	2	.27" Dia.	—	1/4" NPT
800516	065157	1	.28" Dia.	—	1/4" NPT
	065697				
800517	065159	2	#10-24 Thread	—	1/4" NPT
	065379				
800518	065160	1	.28" Dia.	1/8" NPT	1/4" NPT
800519	065186	1	1/4-20 Thread	—	1/4" NPT
800521	065192	3	1/4-20 Thread	—	1/4" NPT
800522	065208	1	M6 x 1-6H Thread	1/8-27	1/4" NPT
800523	065248	1	#10-24 Thread	—	1/4" NPT
800573	065187	1	1/4-20 Thread	—	1/4" NPT
801631	5012393	4	.20" Dia.	—	3/8" PTC Elbow
K031485	K031484	1	1/4-20 Thread	—	3/8" PTC Elbow

*PTC - Push-To-Connect Fittings



WARNING

The exhaust port may contain a composite (non-metallic) fitting. This fitting does not meet Department of Transportation (DOT) standards for pressurized air lines and is for non-pressurized exhaust air lines only. Installing a Bendix® MV-3® control valve that contains this fitting in an application that uses pressurized air in this port could cause a sudden application of the parking brakes.



Bendix® MV-3® Valve with Push-to-Connect Fittings

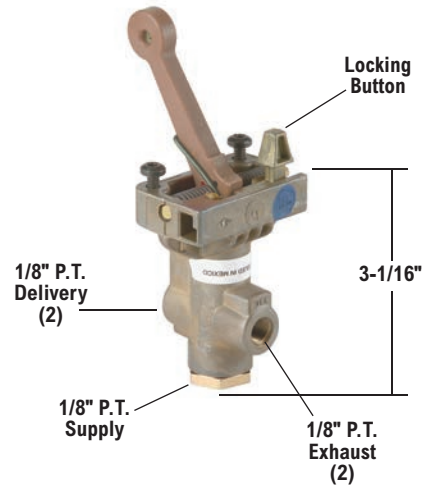
Bendix® TC-4™ Modulating Control Valve (With Lever Latch)

- Available Remanufactured Exchange
- Dial Plate not furnished with Exchange Valve

V.M.R.S. 13-010-104

[SD-03-4503](#)

Reman. Exch. Pc. No.	Service New Pc. No.	Locking Button Position	Delivery Pressure (psi)	Comments
282368RX	282368N	LEFT	86-100	–
–	282382N	LEFT	86-100	Includes Dial Plate



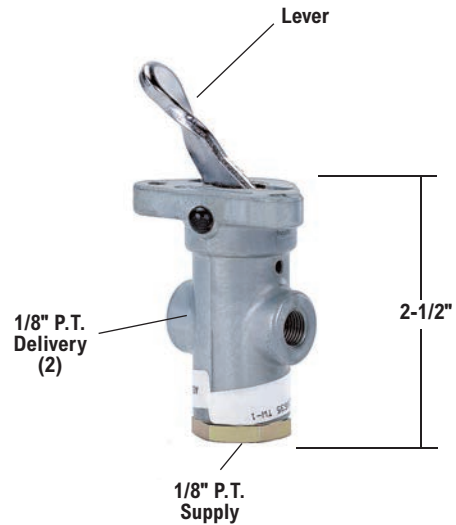
Bendix® TW-1™ Control Valve

- Available Remanufactured Exchange
- Dial Plate not furnished with Exchange Valve

V.M.R.S. 13-016-016

[SD-03-3602](#)

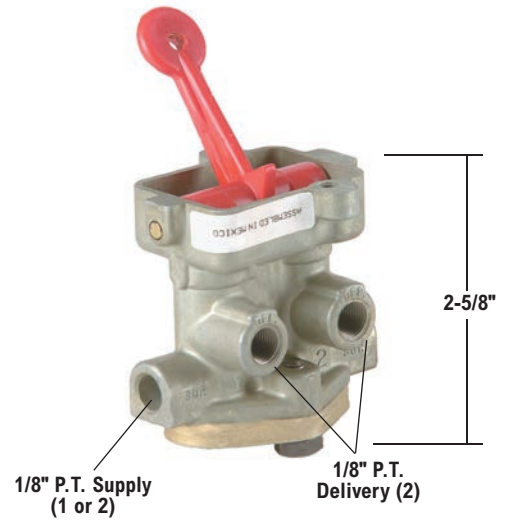
Reman. Exch. Pc. No.	Service New Pc. No.	Lever Material and Finish
228729RX	228729N	Zinc-Chrome
229635RX	229635N	Steel-Chrome
277516RX	277516N	Nylon-Black



Bendix® TW-2™ & TH-3™ Control Valve

- (TW-2 Control Valve Two Lever Positions)
- (TH-3 Control Valve Three Lever Positions)
- Available Remanufactured Exchange
- Maintenance Kit 282391
- Dial Plate not furnished with Exchange Valve

Service New TW-2™ Control Valve Pc. No.	Service New TH-3™ Control Valve Pc. No.	Lever
280905N	280904N	Centering
–	281560N	Positioning



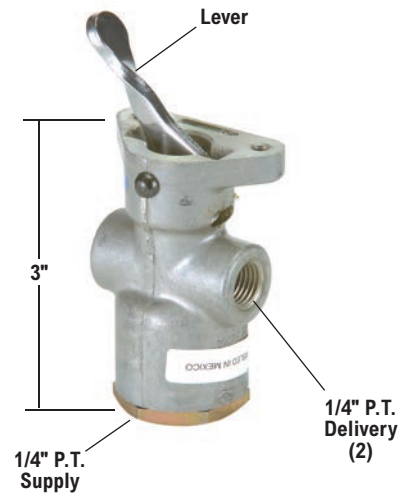
Bendix® TW-3™ Control Valve

- Available Remanufactured Exchange
- Dial Plate not furnished with Exchange Valve

V.M.R.S. 13-010-016

[SD-03-3602](#)

Reman. Exch. Pc. No.	Service New Pc. No.	Lever Material
225892RX	225892N	Zinc
228762RX	228762N	Steel
283040RX	283040N	Steel



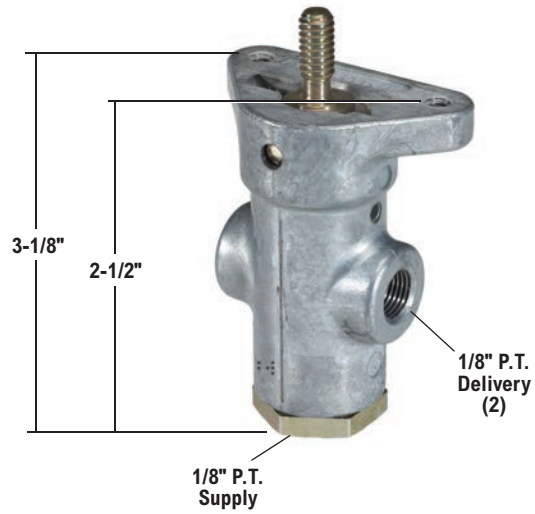
Bendix® TW-4™ Control Valve

- Available Remanufactured Exchange
- Refer to Master Parts Catalog for Button Pc. No.

V.M.R.S. 32-004-007

[SD-03-3602](#)

Service New Pc. No.
276635N

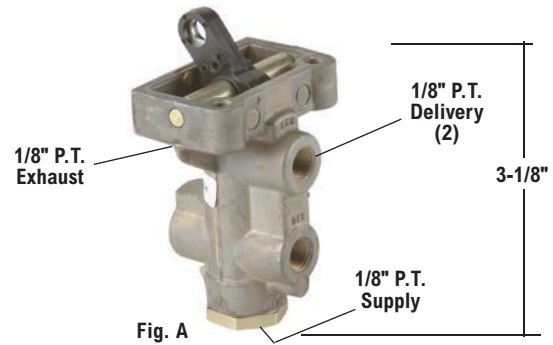
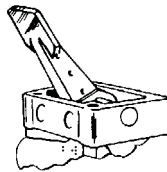


Bendix® TW-11™ Control Valve

- Used in conjunction with the Bendix® HR-1™ Hydraulic Relay Valve

Service New Pc. No.	Configuration
065356	Fig. B
065316	Fig. A

Fig. B

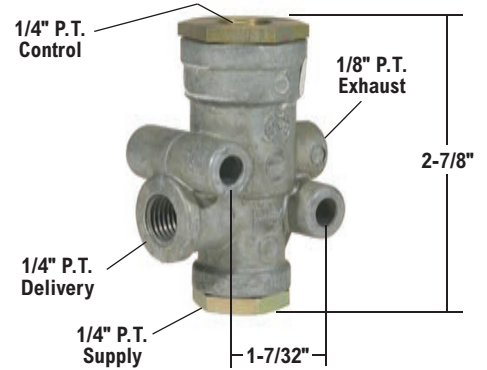


Bendix® SV-1™ Synchronizing Valve

i SD-03-4020

Service New Pc. No.	A (psi)	B (psi)
278825N	42	28
282472N	21	11
283700N	62	50

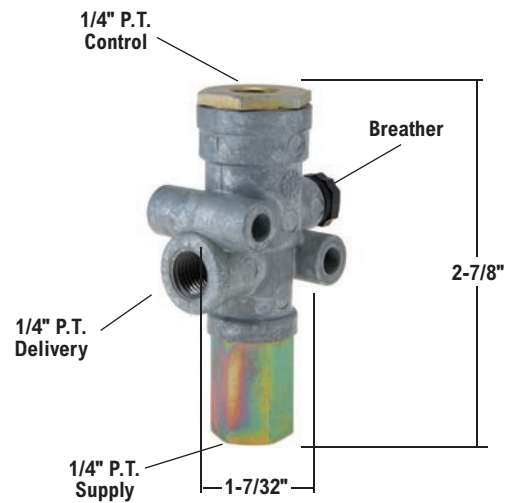
With Common Control & Supply Pressure, Inlet Opens at A and Exhaust Opens at B



Bendix® SV-4™ Trailer Release Valve

i SD-03-4020

Service New Pc. No.	Breather Valve Size/Shape
108769	1" Hex
109149	9/16" 12 point



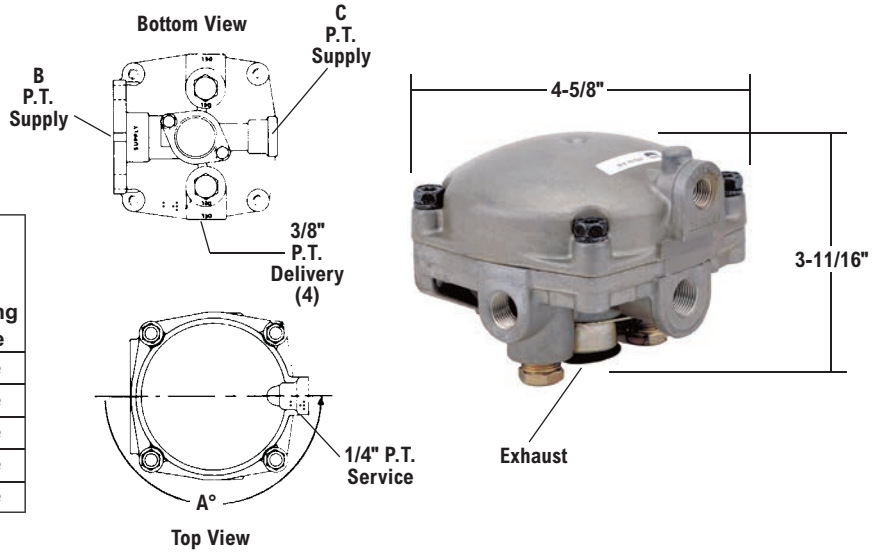
Bendix® R-6™ Relay Valve

- Available Remanufactured Exchange
- Maintenance Kit 280856N

V.M.R.S. 13-010-009

[SD-03-1060](#)

Reman. Exch. Pc. No.	Service New Relay Valve Pc. No.	A° Service Port Angle	B (P.T.)	C (P.T.)	Mounting Flange
-	279180N	180°	-	3/8"	2 Hole
279952RX	279952N	180°	3/4"	3/8"	2 Hole
280375RX	280375	90°	-	1/2"	2 Hole
279952RX	*280651N	180°	3/4"	3/8"	2 Hole
283940RX	283940N	270°	3/8"	3/8"	4 Hole



Crack Pressure 2 psi

*Pipe Plugs & Gasket Attached

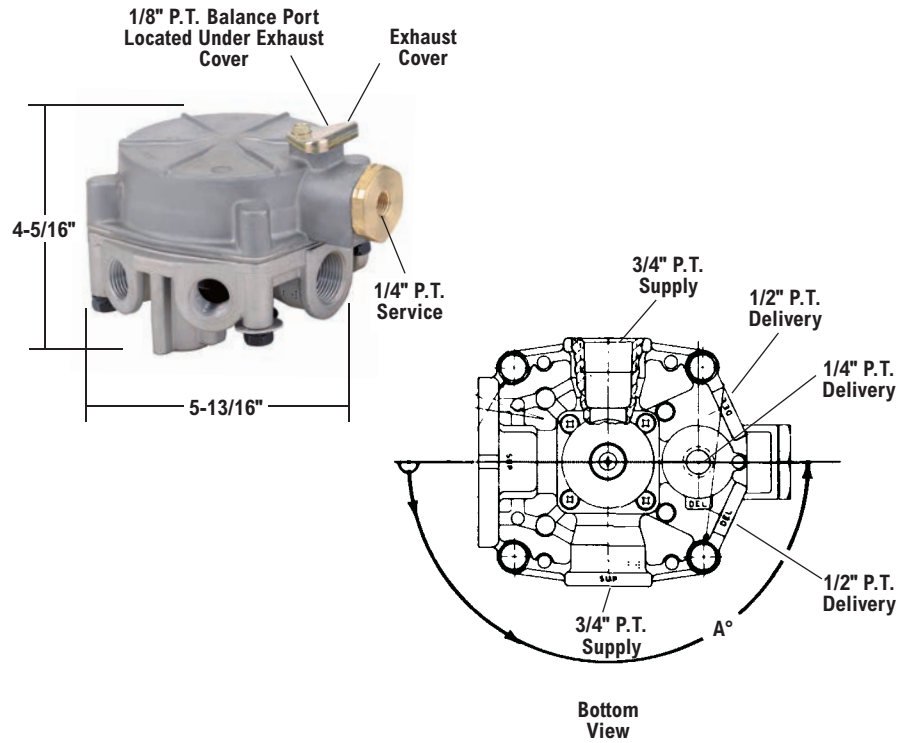
Bendix® R-8™ Relay Valve

- Available Remanufactured Exchange
- Maintenance Kit 287370N

V.M.R.S. 13-010-009

[SD-03-1061](#)

Reman. Exch. Pc. No.	Service New Pc. No.	A° Service Port Location	Comments
286370RX	286370N	90°	
286371RX	286371N	90°	No Exh. Cover
287260RX	287260N	180°	No Exh. Cover
288369RX	288369N	180°	
288781RX	288781	180°	Waterproof



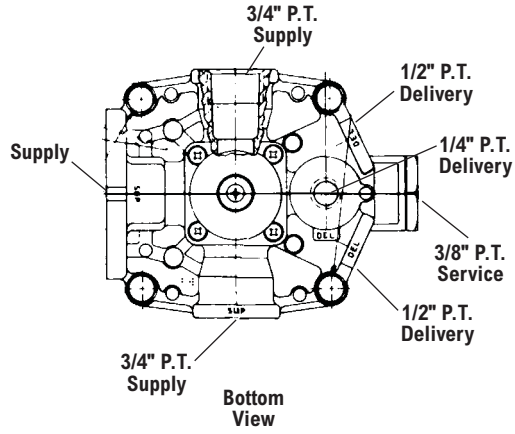
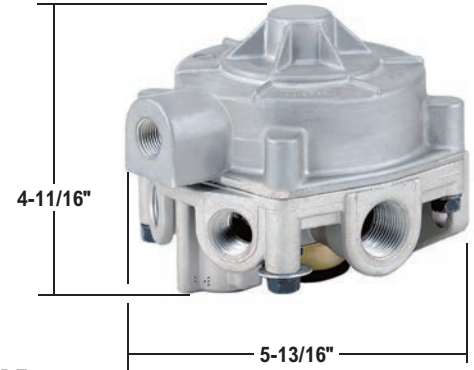
Bendix® R-8P™ Relay Valve

- Available Remanufactured Exchange
- Maintenance Kit 103799

V.M.R.S. 13-010-009

[SD-03-1061A](#)

Reman. Exch. Pc. No.	Service New Pc. No.	Comments
287114RX	287114N	-



Bendix® R-12® Relay Valves

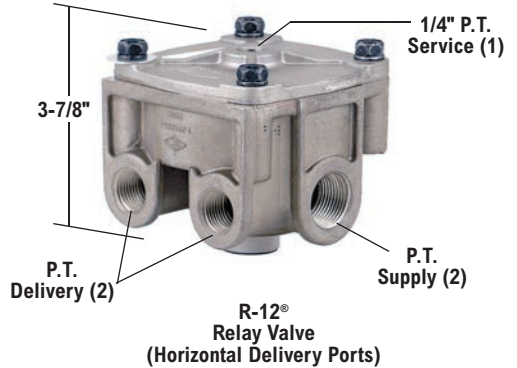
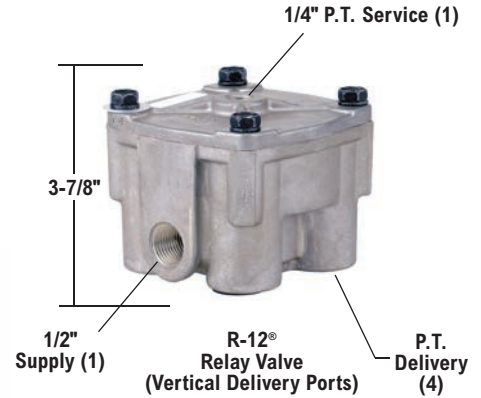
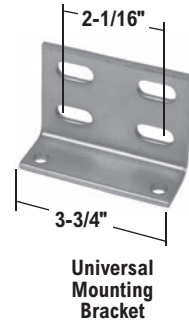
- Available Remanufactured Exchange
- All Universal Bendix R-12® and R-14® Relay Valves include Installation Instructions and a Universal Mounting Bracket as indicated.
- Field maintenance kit for R-12® and R-14® Relay Valves is Pc. No. 102802N.

V.M.R.S. 13-010-009

[SD-03-1064](#)

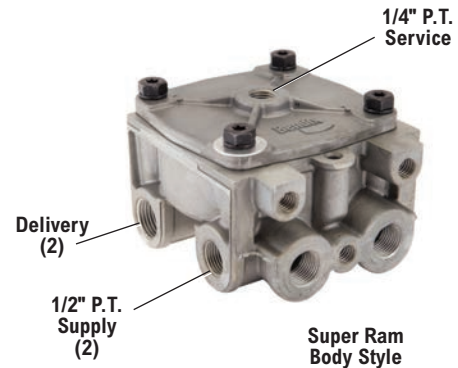
Vertical Delivery Ports

Reman. Exch. Pc. No.	Service New Pc. No.	Crack Pressure (psi)	Delivery (P.T.)	Maint. Kit	Mounting Bracket
5003365X	065104	4	3/8"	102802N	296010N
-	065181	5.5	1/2"	102802N	296010N
102626RX	102626N	4	1/2"	102802N	296010N
103912RX	103912	7.5	1/2"	102802N	296010N
104561RX	-	5.5	3/8"	102802N	296010N
-	*800365	4	3/8"	102802N	296010N



Horizontal Delivery Ports

Reman. Exch. Pc. No.	Service New Pc. No.	Crack Pressure (psi)	Supply Port Size (P.T.)	Maint. Kit	Mounting Bracket	Delivery (P.T.)
-	065125	5.5	1/2"	102802N	296010N	1/2"
-	065309	4	1/2"	102802N	296010N	1/2"
-	065546	4	1/2"	109523	296010N	1/2"
103009RX	103009N	4	3/4"	102802N	296010N	1/2"
104165RX	-	7.5	3/4"	102802N	296010N	1/2"
-	800238	4	3/4"	102802N	N/A	1/2"
-	800305	4	1/2"	5002831	296010N	1/2"
-	*800366	5.5	1/2"	5004029	296010N	3/8"
-	*800365	4	1/2"	5004029	296010N	1/2"
-	801123	4	1/2"	5019003	N/A	1/2" PTC

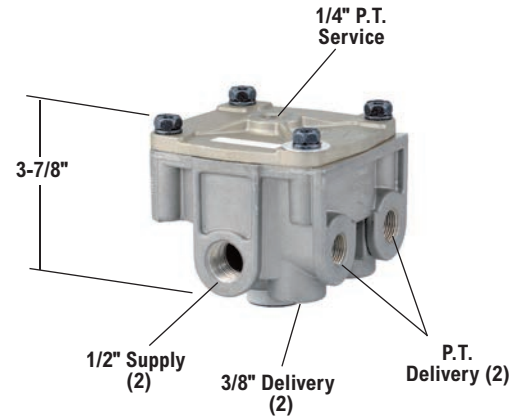


*Self-draining piston
PTC-Push-to-Connect fittings

Bendix® R-12® Relay Valves (cont'd)

Two (2) Vertical & Horizontal Delivery Ports

Service New Pc. No.	Crack Pressure (psi)	Delivery Port Size	Maint. Kit	Mounting Bracket
065206	5.5	3/8" P.T.	102802N	296010N
065303	4	3/8" P.T.	102802N	296010N
800095	4	3/8" P.T.	102802N	102846N**
800441	5.5	3/8" P.T.	102802N	102846N**
800483	5.5	1/2" P.T.	102802N	N/A
800484	5.5	1/2" P.T.	102802N	296010N
800485	4	1/2" P.T.	102802N	N/A
800486	4	1/2" P.T.	102802N	296010N
800508	5.5	1/2" P.T.	102802N	N/A



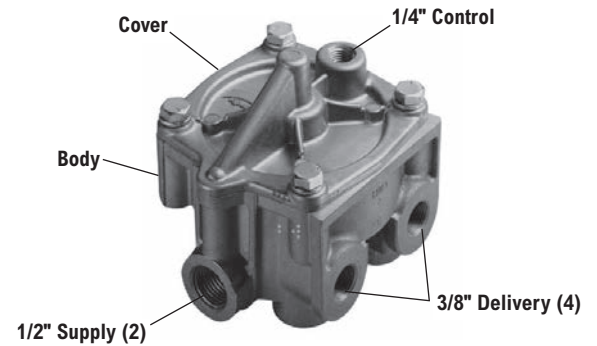
**Mounting bracket 102846N includes two 5/16" mounting studs.
PTC-Push-to-Connect fittings

Bendix® R-12P™ Pilot Relay Valve

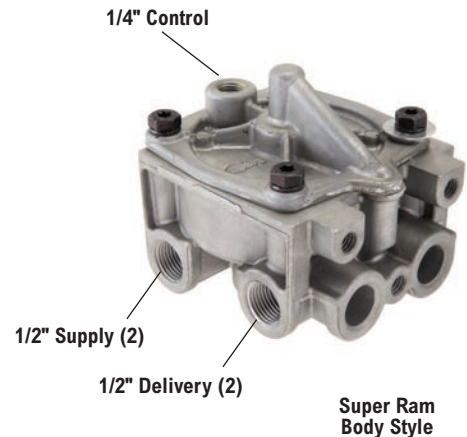
- Available Remanufactured Exchange
- Universal Mounting Bracket 296010 included
- Field Maintenance Kit 109265

V.M.R.S. 13-010-009

[SD-03-1063](#)



Service New Pc. No.	Reman. Exch. Pc. No.	Delivery (P.T.)	Comments
065476	109264X	3/8"	
801742	—	1/2"	Super Ram Body Style

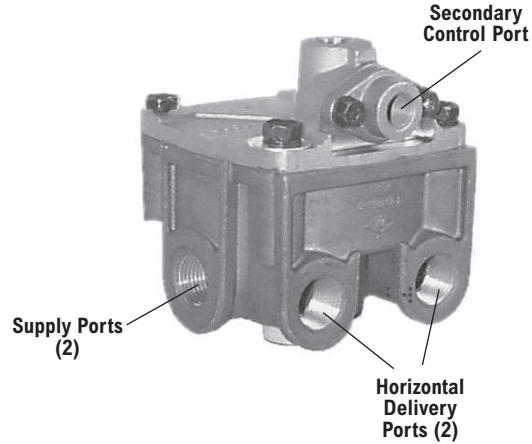


Bendix® R-12DC® Relay Valve with Biased Double Check

SD-03-1068

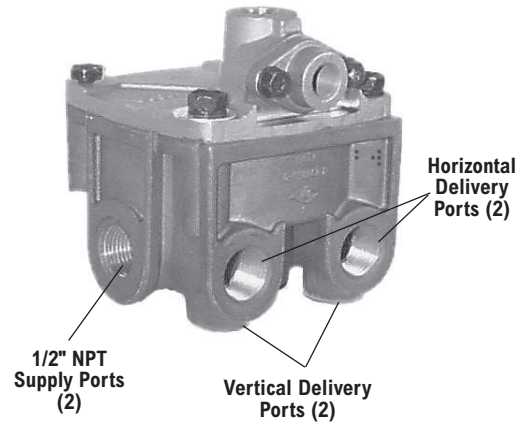
Bendix® R-12DC® Relay Valve with Two (2) Horizontal Delivery Ports

Service New Pc. No.	Crack Pressure PSI	Supply Ports NPT	Delivery Ports NPT	Bracket Pc. No. (Included)
800470	4	1/2"	1/2"	296010N
800471	5.5	1/2"	1/2"	294649N
800627	4	1/2"	1/2"	294649N



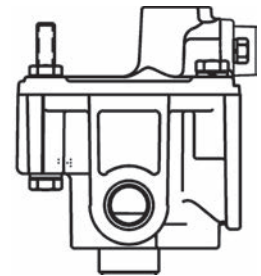
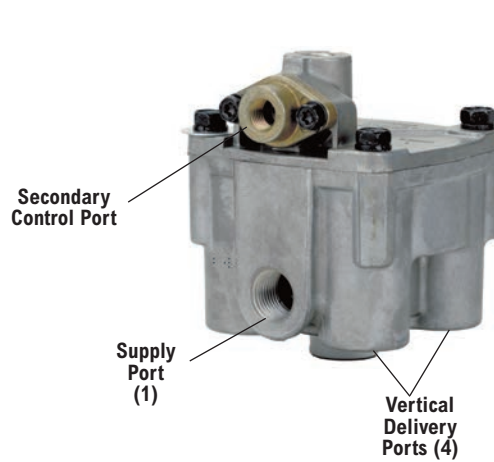
Bendix® R-12DC® Relay Valve with two (2) Horizontal and two (2) Vertical Delivery Ports

Service New Pc. No.	Crack Pressure PSI	Horizontal Delivery Ports NPT	Vertical Delivery Ports NPT	Bracket Pc. No. (Included)	Comments
800481	4	1/2"	3/8"	None	Mounting Studs
801305	4	1/2"	3/8"	102846N	
801381	5.5	1/2"	3/8"	102846N	
K065767	4	1/2"	3/8"	K023876	Bendix® AR1-DC™ valve replacement



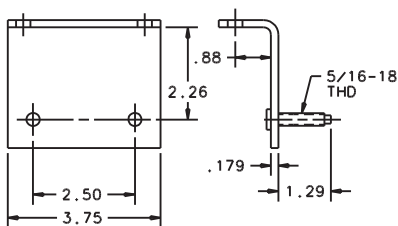
Bendix® R-12DC® Relay Valve with four (4) Vertical Delivery Ports

Service New Pc. No.	Crack Pressure PSI	Vertical Delivery Ports (NPT)	Bracket Pc. No. (Included)
800477	4	1/2"	102846N
800479	4	1/2"	294649N

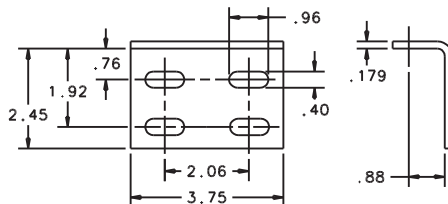


Pc. No. 800481

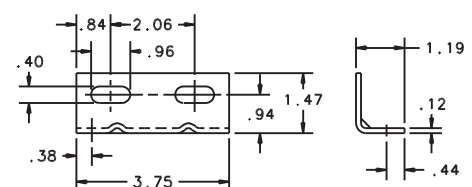
Mounting Bracket Pc. No. 102846N



Mounting Bracket Pc. No. 296010N



Mounting Bracket Pc. No. 294649N

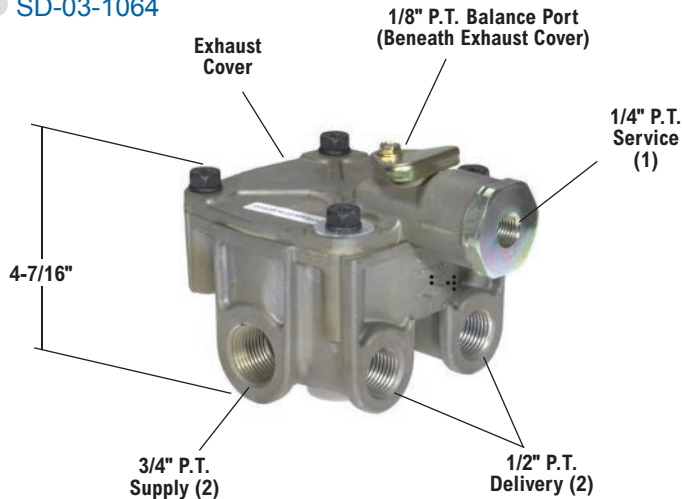


Bendix® R-14® Relay Valve

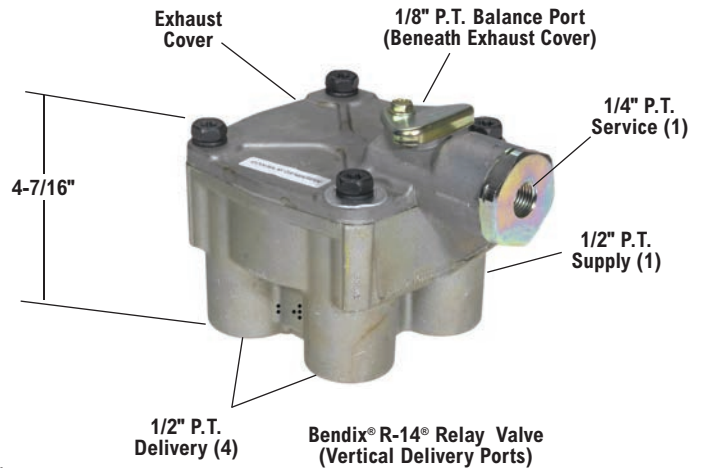
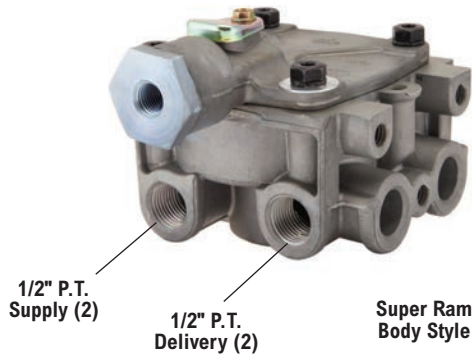
- Available Remanufactured Exchange
- Field Maintenance Kit for Bendix® R-12® & R-14® Relay Valves is Pc. No. 102802N
- Balance port diaphragm kit - Pc. No. 5011455
- All Universal R-12® and R-14® Relay Valves Include Installation Instructions and a Universal Mounting Bracket Pc. No. 296010N.

V.M.R.S. 13-010-009

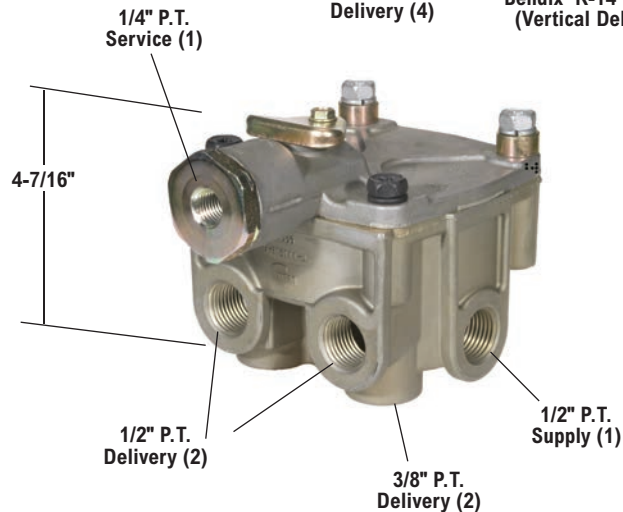
SD-03-1064



Bendix® R-14® Relay Valve (Horizontal Delivery Ports)



Bendix® R-14® Relay Valve (Vertical Delivery Ports)



Bendix® R-14® Relay Valve (Horizontal & Vertical Delivery Ports)

Reman. Exchange Pc. No.	Service New Pc. No.	Crack Pressure (psi)	Supply
Horizontal Delivery Ports			
103010RX	103010N	4	3/4"
103294RX	103294N	5.5	3/4"
103835X	103835	7.5	3/4"
—	104345	5	3/4"
104574RX	104574	4	1/2"
—	801629**	4	1/2"
Vertical Delivery Ports			
103028RX	103028N	4	1/2"
—	103833	7.5	1/2"
—	106313	5.5	1/2"
Vertical & Horizontal Delivery Ports*			
—	065430	4	1/2"
—	K065765***	4	1/2"

*Delivery ports two 3/8" & two 1/2"

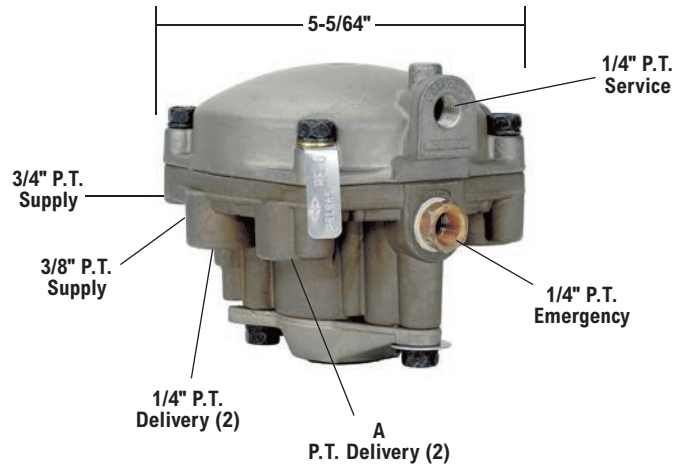
**Super Ram body style

***Replacement for Bendix® AR-1™ valve

Bendix® RE-6® & RE-6NC™ Relay Emergency Valves

- Available Remanufactured Exchange
- Maintenance Kits:
282812 Complete Valve
282813 Insert Only

V.M.R.S. 13-010-037
 ⓘ [SD-03-1151](#)



Reman. Exch. Pc. No.	Service New Pc. No.	Valve	A Delivery (P.T.)
281865X	281865	RE-6® Relay Emergency Valve	3/8"
281860X	281860	RE-6 Relay Emergency Valve	1/4"
-	065451	RE-6NC™ Relay Emergency Valve	1/4"

The RE-6NC relay emergency valve must be used in conjunction with a Bendix® PR-3™ reservoir control valve.



Not all reman brake shoes are created equal. In fact, testing shows Bendix® reman brake shoes help you stop more safely – five or more car lengths ahead of the competition. And with our exclusive ProteX™ coatings and high flexural strength friction, Bendix brake shoes extend service life, virtually eliminating rust jacking and cracking. Bendix reman brake shoes. **Now, you know better.**

Discover the difference at safertrucks.com/shoes or call 1.800.AIR.BRAKE (1.800.247.2725) today.



© Bendix Commercial Vehicle Systems LLC, a member of the Knorr-Bremse Group. All Rights Reserved.

Bendix® ST-3™ Safety Valves

V.M.R.S. 13-010-073
 i SD-03-1901

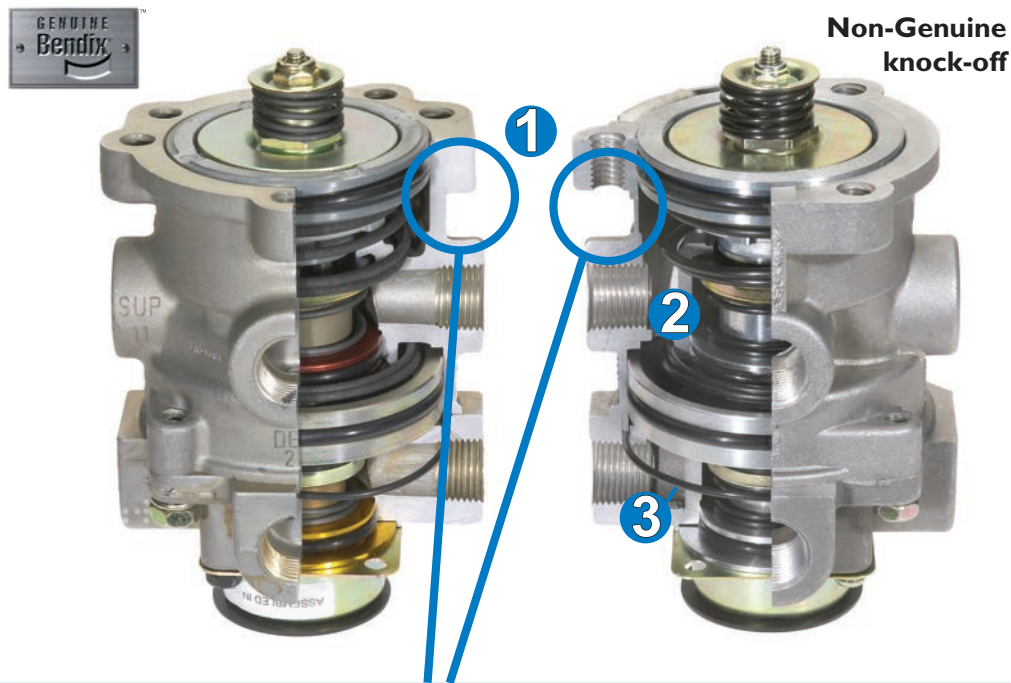
See the Compressor section (01) of this catalog for Bendix® ST-4™ Safety Valves.



ST-3™ Safety Valve Pc. No.	Pipe Thread	Pressure Setting (psi)
284142	1/4"	150
284143	3/8"	150
285849	1/4"	175
285850	1/4"	75

Do you really know what's inside the valves you buy?

Appearances can be deceiving. The two valves pictured below may look alike but their performance is drastically different. The non-genuine knock-off is a component bought right off the shelf, and its poor quality is just a sample of what is being sold in the market every day.



- ❶ The knock-off valve's wall is 56% thinner, making it more susceptible to cracking or even a complete valve rupture.
- ❷ O-rings, seals, bolts & pistons — all built with inferior materials — can lead to accelerated wear and leakage.
- ❸ Inconsistent spring tension on the knock-off can result in brake imbalance and longer stopping distances.

Your brakes are not the place to cut corners. A poorly manufactured knock-off valve — like the one pictured on the right above — can, and frequently does, affect the performance, durability and long-term reliability of your braking system. Protect your vehicle by using only genuine Bendix® parts.

Use the best. Use Bendix. Look for the familiar Bendix name and logo on the box. For the name of the authorized distributor nearest you talk to your Bendix Account Manager, call 1-800-AIR-BRAKE (1-800-247-2725) or visit www.bendix.com today.

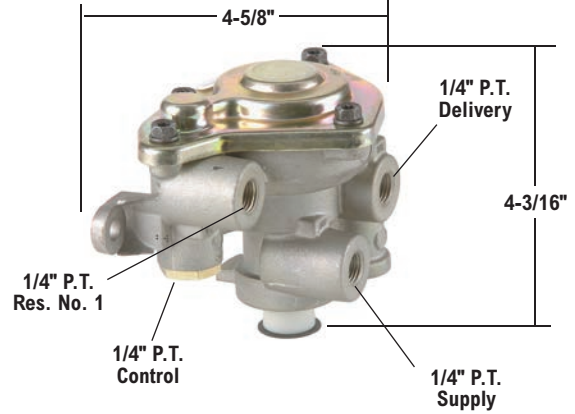
Bendix® SR-1™ Spring Brake Valve

- Available Remanufactured Exchange
- Maintenance Kit 108123

V.M.R.S. 13-010-048

[SD-03-4508](#)

Reman. Exch. Pc. No.	Service New Pc. No.	Customer Identification	Reservoir Trip Pressure (psi)
286364RX	286364N	NONE	55
288063RX	288063N	IHC-459271-C92	30



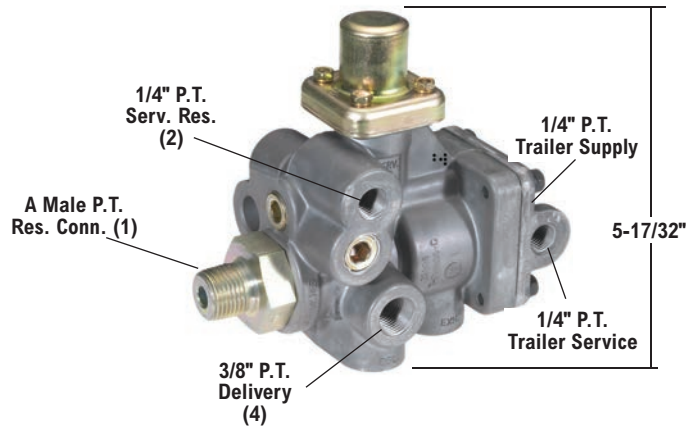
Bendix® SR-2™ Trailer Spring Brake Valve

- Available Remanufactured Exchange
- Maintenance Kit 287691

V.M.R.S. 13-010-048

[SD-03-4510](#)

Reman. Exch. Pc. No.	Service New Pc. No.	A P.T.
*287376RX	*287376N	3/4"
102761RX	102761N	3/4"
103061RX	103061N	1/2"



*Does not have trailer service port for anti-compounding.

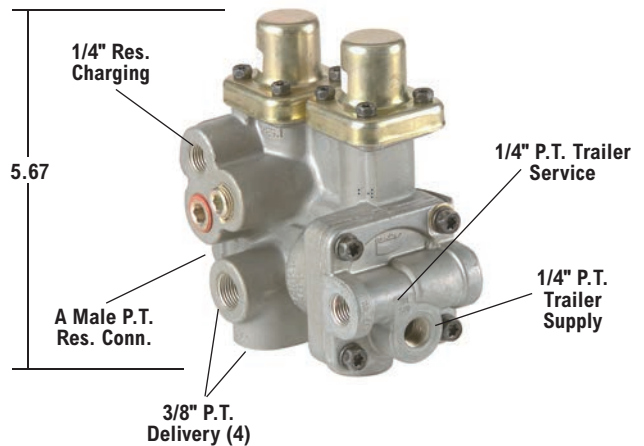
Bendix® SR-4™ Trailer Spring Brake Valve

- Maintenance Kit 108259

V.M.R.S. 13-010-111

[SD-03-4514](#)

Bendix® SR-4™ Trailer Spring Brake Valve Service New Pc. No.	Bendix® SR-5™ Trailer Spring Brake Valve Service New Pc. No.	A	Comments
107539N	065437	3/4" NPT	With Anti-Compounding
-	065439	1/2" NPT	



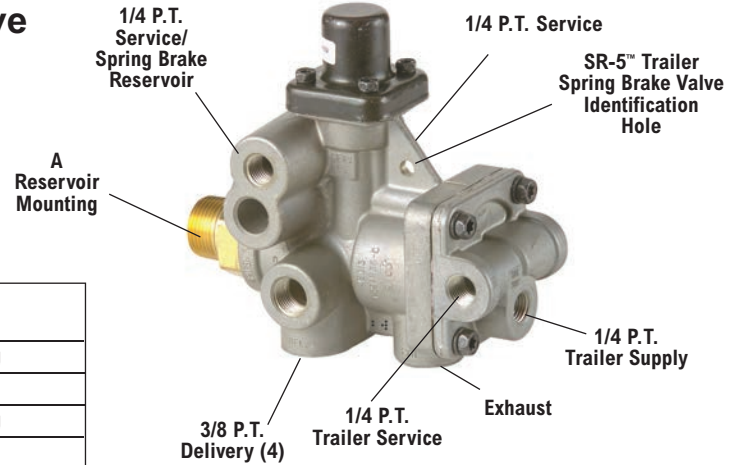
Bendix® SR-5™ Trailer Spring Brake Valve

• Maintenance Kit 109015

V.M.R.S. 13-010-048

[i SD-03-4516](#)

Reman. Exch. Pc. No.	Service New Pc. No.	A Male (P.T.)	Comments
109615X	K033221	3/4"	With Anti-Compounding
109616X	K033222	3/4"	—
109617X	K033223	1/2"	With Anti-Compounding
109618X	K033224	1/2"	—

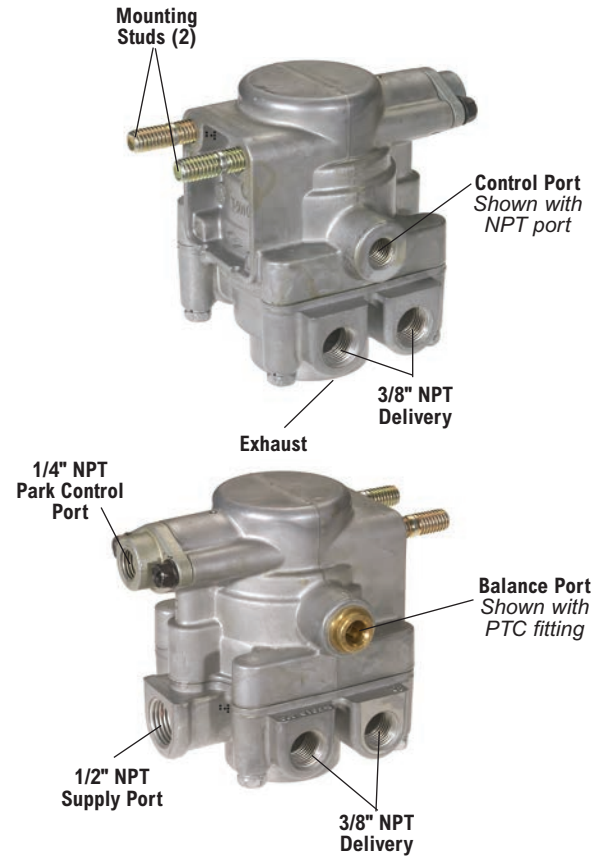


Bendix® SR-7® Spring Brake Modulating Valve

[i SD-03-4516](#)

Service New Pc. No.	Mounting Stud		Control Port		Balance Port	
	Thd.	Length	Size*	Fitting	Size*	Fitting
K021557	3/8"-16	.94"	1/4" NPT	—	1/4" NPT	—
K021558	3/8"-16	.94"	3/8" NPT	Straight	3/8" NPT	Straight
K021559	3/8"-16	.94"	3/8" PTC	90°	3/8" PTC	Straight
K021560	M10	1.38"	3/8" PTC	90°	3/8" PTC	90°
K021562	—	—	1/4" NPT	—	1/4" NPT	—
K021563	—	—	3/8" PTC	Straight	3/8" PTC	Straight

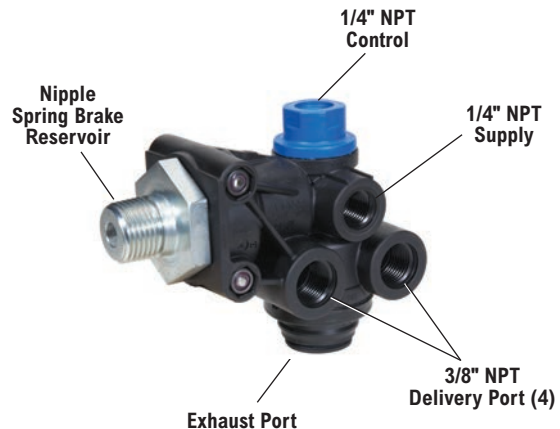
*PTC - Push-To-Connect Fittings



Bendix® SRC-7000™ Trailer Spring Brake Valve

[i SD-03-4656](#)

Service New Pc. No.	Mounting Nipple	Comments
K025778	1/2" NPT	Replaces Sealco® 110500



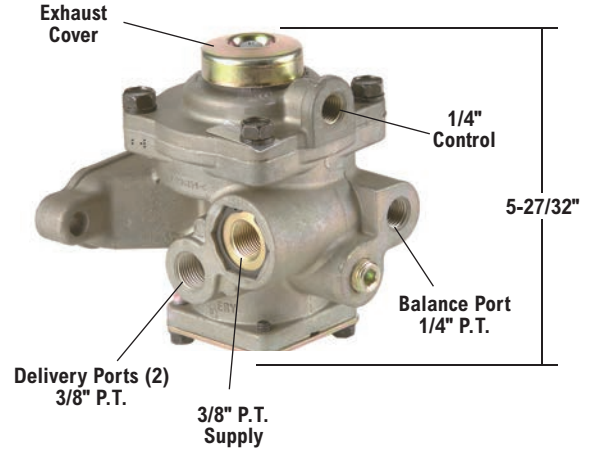
Bendix® R-7™ Modulating Valve

- Available Remanufactured Exchange
- Maintenance Kit 283861

V.M.R.S. 13-010-009

[SD-03-4504](#)

Reman. Exch. Pc. No.	Service New Pc. No.	Spring Brake Release Pressure (psi)	Exhaust Cover	Installation Orientation
103081RX	103081N	95	As shown	As shown
—	800969	95	None	Inverted



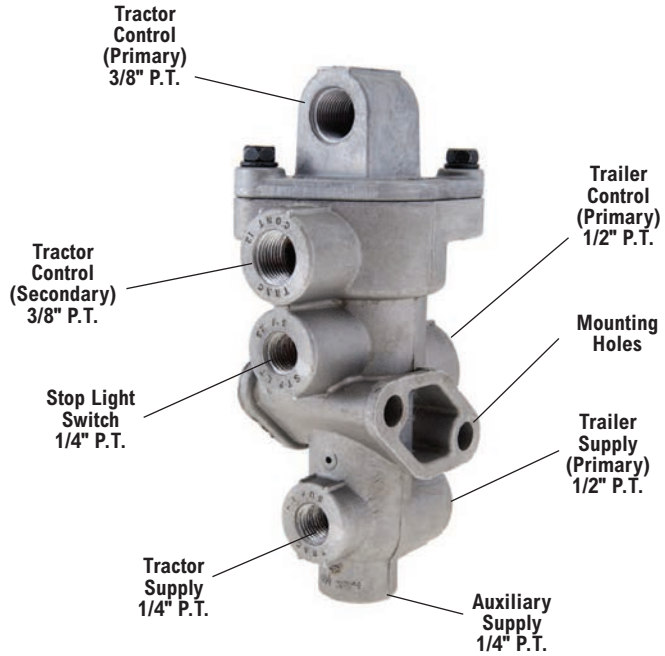
Bendix® TP-3DC™ Tractor Protection Valve

- Maintenance Kit 5000073

V.M.R.S. 13-010-016

[SD-03-3656](#)

Service New Pc. No.
065706



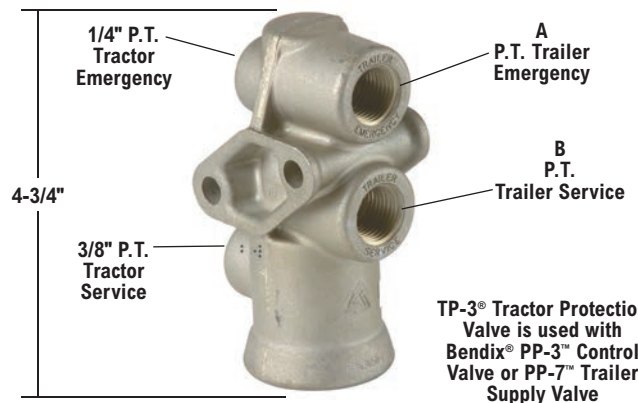
Bendix® TP-3® Tractor Protection Valve

- Available Remanufactured Exchange
- Maintenance Kit 280858N

V.M.R.S. 13-010-016

[SD-03-3652](#)

Reman. Exch. Pc. No.	Service New Pc. No.	A P.T.	B P.T.
279000RX	279000N	1/2"	1/2"
279692X	—	3/8"	3/8"
—	280830N	1/2"	1/2"



TP-3® Tractor Protection Valve is used with Bendix® PP-3™ Control Valve or PP-7™ Trailer Supply Valve

Bendix® TP-4™ Tractor Protection Valve

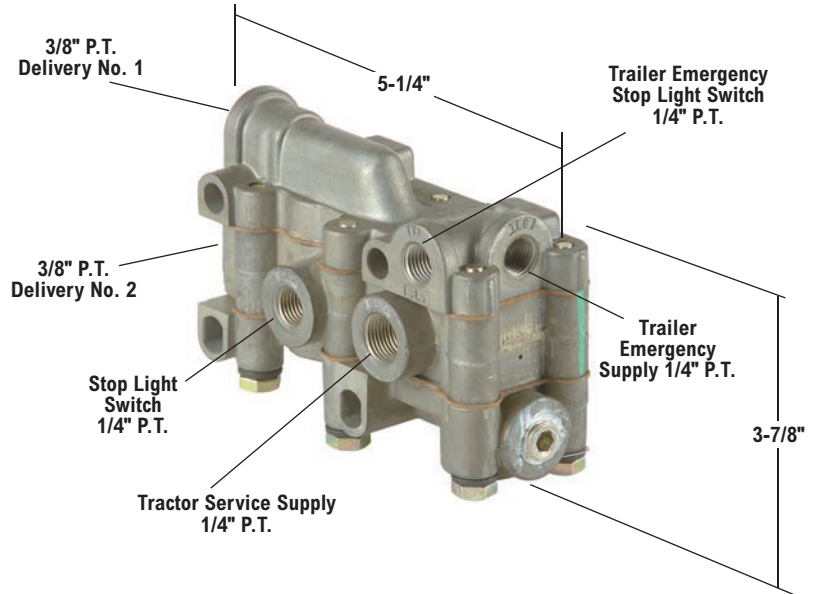
- Formerly Bendix® VM-1 Control Valve Manifold
- Available Remanufactured Exchange
 - Maintenance Kit 283863

V.M.R.S. 13-010-114

[SD-03-3653](#)

Reman. Exch. Pc. No.	Service New Pc. No.
288301RX	288301N

Three (3) Sealing O-Rings Pc. No. 212268
Included with Valve

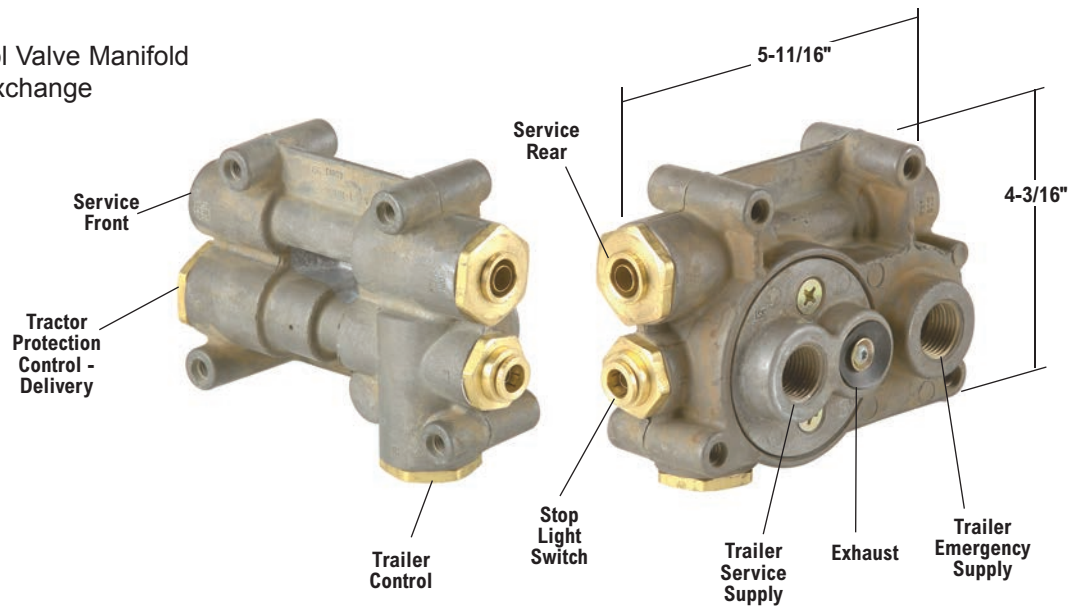


Bendix® TP-5™ Tractor Protection Valve

- Formerly Bendix® VM-2 Control Valve Manifold
- Available Remanufactured Exchange
 - Maintenance Kit 289061

V.M.R.S. 13-010-114

[SD-03-3655](#)



Reman. Exch. Pc. No.	Service New Pc. No.	Service Rear*	Stop Light Switch*	Service Front*	Trailer Control*	Trailer Service Supply	Trailer Emergency Supply	Tractor Protection Control Delivery*
-	065702	1/2" PTC	3/8" PTC	1/2" PTC	3/8" PTC	1/2" NPT	1/2" NPT	3/8" PTC
-	107430	3/8" NPT	1/8" NPT	3/8" NPT	1/4" NPT	1/2" NPT	1/2" NPT	1/4" NPT
288605RX	288605N	3/8" NPT	1/4" NPT	3/8" NPT	3/8" NPT	1/2" NPT	1/2" NPT	3/8" NPT
-	800396	1/2" PTC	1/4" PTC	1/2" PTC	3/8" PTC	1/2" NPT	1/2" NPT	3/8" PTC

*PTC - Push-To-Connect Fittings



Bendix® BP-1™ Valve Maintenance Kit
(Pc. No. 104710)



Bendix® BP-1™ Valve Maintenance Kit
(Pc. No. 104711)



Bendix® E-2™ & E-3™ Valve Maintenance Kit
(Pc. No. 276119N)



Bendix® E-3™ Valve Maintenance Kit
(Pc. No. 289329N)



Bendix® E-5™ Valve Maintenance Kit
(Pc. No. 281084N)



Bendix® E-5™ Valve Maintenance Kit
(Pc. No. 289334N)



Bendix® E-6® Valve Maintenance Kit
(Pc. No. 287368N)



Bendix® E-6® Valve Maintenance Kit
(Pc. No. 289335)



Bendix® E-7™ Valve Maintenance Kit
(Pc. No. 289352)



Bendix® E-7™ Valve Maintenance Kit
(Pc. No. 289353)



Bendix® E-10™ Valve Maintenance Kit
(Pc. No. 102100)



Bendix® E-12™ Valve Maintenance Kit
(Pc. No. 108367)



Bendix® LQ-2™ Valve Maintenance Kit
(Pc. No. 282098N)



Bendix® LQ-4™ Valve Maintenance Kit
(Pc. No. 289500N)



Bendix® LQ-5™ Valve Maintenance Kit
(Pc. No. 107195)



Bendix® MV-2™ Valve Maintenance Kit
(Pc. No. 101557)



Bendix® MV-3® Valve Maintenance Kit
(Pc. No. 5002741)



Bendix® MV-3® Valve Maintenance Kit
(Pc. No. 5002742)



Bendix® PP-DC® Valve Maintenance Kit
(Pc. No. 5006939)



Bendix® PP-1® Valve Maintenance Kit
(Pc. No. 281126N)



Bendix® PP-2™ Valve Maintenance Kit
(Pc. No. 281127N)



Bendix® PP-3™ Valve Maintenance Kit
(Pc. No. 280857N)



Bendix® PP-7™ Valve Maintenance Kit
(Pc. No. 287367)



Bendix® PR-3™ & PR-4™ Valve Maintenance Kit
(Pc. No. 287366)



Bendix® QRN™ Valve Maintenance Kit
(Pc. No. 104463)



Bendix® R-6™ Valve Maintenance Kit
(Pc. No. 280856N)



Bendix® R-7™ Valve Maintenance Kit
(Pc. No. 283861)



Bendix® R-8™ Valve Maintenance Kit
(Pc. No. 287370N)



Bendix® R-12P™ Valve Maintenance Kit
(Pc. No. 109265)



Bendix® R-12® DuraDrain® Valve Maintenance Kit
(Pc. No. 5004029)



Bendix® R-12® Valve Maintenance Kit
(Pc. No. 5002831)



Bendix® R-12® Valve Maintenance Kit
(Pc. No. 5019003)



Bendix® R-14® Valve Maintenance Kit
(Pc. No. 102802N)



Bendix® R-8P™ Valve Maintenance Kit
(Pc. No. 103799)



Bendix® RE-6® Valve Maintenance Kit
(Pc. No. 282812)



Bendix® RE-6® Valve Maintenance Kit
(Pc. No. 282813)



Bendix® SR-1™ Valve Maintenance Kit
(Pc. No. 108123)



Bendix® SR-2™ Valve Maintenance Kit
(Pc. No. 287691)



Bendix® SR-4™ Valve Maintenance Kit
(Pc. No. 108259)



Bendix® SR-4™ Valve Maintenance Kit
(Pc. No. 102048)



Bendix® SR-5™ Valve Maintenance Kit
(Pc. No. 109015)



Bendix® TC-2™ Valve Maintenance Kit
(Pc. No. 276122)



Bendix® TC-6™ Valve Maintenance Kit
(Pc. No. 289890)



Bendix® TC-7™ Valve Maintenance Kit
(Pc. No. 102145)



Bendix® TP-3® Valve Maintenance Kit
(Pc. No. 280858N)



Bendix® TP-3DC™ Valve Maintenance Kit
(Pc. No. 5000073)



Bendix® TP-4™ Valve Maintenance Kit
(Pc. No. 283863)



Bendix® TP-5™ Valve Maintenance Kit
(Pc. No. 289061)

Straight Arm

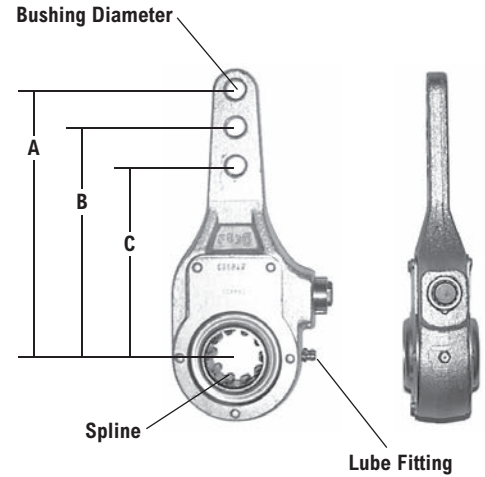
V.M.R.S. 13-001-030 (FRONT)
13-002-028 (REAR)

i SD-05-1200

Selecting A Slack Adjuster

1. Determine if straight or offset arm. If offset, determine if RH or LH is needed.
2. Identify spline size (diameter and number of teeth).
3. Select model needed.
4. Determine the arm hole used (if slack contains more than one).
5. Identify bushing diameter.

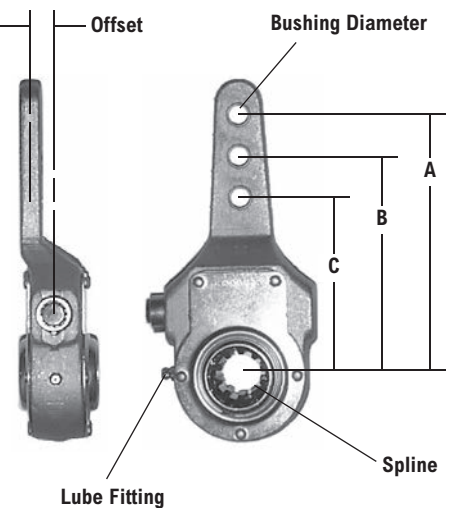
Service New Pc. No.	SAE Torque Rating-lbs	Spline	Teeth	Arm Length (In.)			Bushing Dia.	Lube Fitting	Fitting Direction
				A	B	C			
278302 278305	26,000 26,000	1-1/4"	10	5.5 7.0	4.5 6.0	- 5.0	0.5	Straight	Straight
278323N 278326N 278008 278010N 278045N 279634N	26,000 26,000 30,000 30,000 30,000 30,000	1-1/2"	10	7.0 6.5 6.5 6.0 7.0 7.75	6.0 5.5 5.5 5.0 6.0 6.75	5.0 - - - 5.0 -	0.5	Straight	Straight
101827N 277959N 102110N 278016N 278017N 278035N	26,000 26,000 30,000 30,000 30,000 30,000	1-1/2"	10	6.0 6.5 6.5 6.5 6.0 7.5	- 5.5 5.5 5.5 5.0 5.5	- - - - - -	0.625	90 Deg. Straight 90 Deg. Straight Straight Straight	Left Straight Down Straight Straight Straight
288282 286965N 288753N 287899N	26,000 26,000 26,000 30,000	1-1/2"	28	7.0 6.0 6.5 6.5	6.0 5.0 5.5 5.5	5.0 - - -	0.5	Straight Straight Straight Straight	Straight Straight Straight Straight
101133N 101134 101289N 101290N 101214N 101215N 101216N	26,000 26,000 26,000 26,000 30,000 30,000 30,000	1-1/2"	28	6.0 6.5 6.5 6.0 6.5 6.0 7.0	5.0 5.5 5.5 5.0 5.5 5.0 -	- - - - - - -	0.625	Straight Straight 90 Deg. 90 Deg. Straight Straight Straight	Straight Straight Right Right Straight Straight Straight
283411	26,000	1-5/8"	37	6.0	-	-	0.5	Straight	Straight



Offset Arm

Left Hand (LH) Shown –
Right Hand (RH) Opposite

Service New Pc. No.	SAE Torque Rating-lbs	Spline	Teeth	Arm Length (In.)			Bushing Dia.	Lube Fitting	Offset	Handed
				A	B	C				
278288 278289 278294N 278295	26,000	1-1/4"	10	6.0 6.0 5.5 5.5	5.0 5.0 4.5 4.5	4.0 4.0 - -	0.5	Straight	0.625	RH LH RH LH
278252 278253 279300N 279301N 279946N 279947N 280424 280425 282560 282561	26,000	1-1/2"	10	5.5 5.5 5.25 5.25 7.0 7.0 6.0 6.0 6.5 6.5	4.5 4.5 - - 6.0 6.0 5.0 5.0 5.5 5.5	- - - - 4.0 4.0 4.0 4.0 - -	0.5	Straight	0.625	RH LH RH LH RH LH RH LH RH LH
279309 279350 279351N 288539N 288540N 288541N 288542N	20,000	1-1/2"	10	5.75 7.0 7.0 6.5 6.5 6.0 6.0	- - - 5.5 5.5 5.0 5.0	- - - - - - -	0.5	Straight	1.5	LH RH LH RH LH RH LH
101413N 101414N 287896 287897	20,000	1-1/2"	28	5.5 5.5 6.5 6.5	- - 5.5 5.5	- - - -	0.5	Straight	1.5	LH RH RH LH

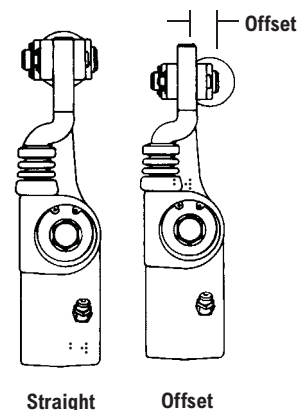
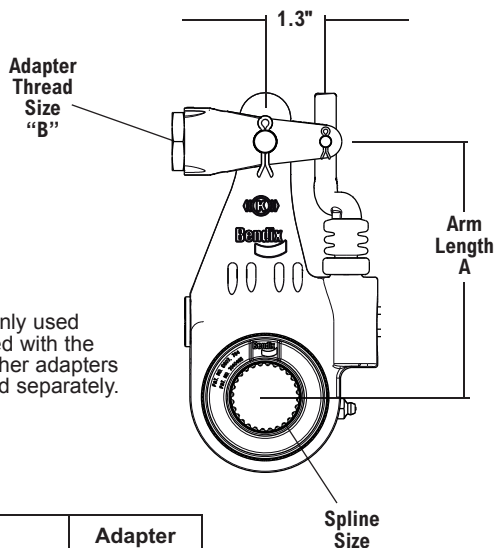


Bendix® Versajust® LS Automatic Slack Adjuster

V.M.R.S. 013-001-030 (FRONT)
013-002-028 (REAR)

i SD-05-4630

The most commonly used adapter is supplied with the slack adjuster. Other adapters may be purchased separately.



All offset slack adjusters are provided as shown. If the opposite offset is needed remove the yoke and rotate 180°.

Bendix® Versajust® LS Slack Adjuster Service Assmby Pc. No.	Arm Length "A"	Yoke Type	Yoke Offset	Adapter Thread Size "B"
1 1/2"-10C Spline				
K096199	5.0"	—	—	—
K050079	5.0"	EO	Straight	5/8"
K041772	5.5"	—	—	—
K041870	5.5"	EO	Straight	5/8"
K102425	5.5"	EO	5/8" Offset	5/8"
K043124	5.5"	QC	Straight	5/8"
K041768	6.0"	—	—	—
K041876	6.0"	EO	Straight	5/8"
K043134	6.0"	QC	Straight	5/8"
1 1/2"-28 Spline				
K096198	5.0"	—	—	—
K095826	5.0"	QC	Straight	5/8"
K047150	5.0"	EO	Straight	5/8"
K041771	5.5"	—	—	—
K043197	5.5"	EO	Straight	5/8"
K102427	5.5"	EO	5/8" Offset	5/8"
K034076	5.5"	QC	Straight	5/8"
K041769	6.0"	—	—	—
K041877	6.0"	EO	Straight	5/8"
K047457	6.0"	QC	Straight	5/8"
1 5/8"-37 Spline				
K102372	6.0"	QC	Straight	5/8"
K102369	5.5"	EO	Straight	5/8"
K102371	6.0"	EO	Straight	5/8"



Bendix® Versajust® LS Automatic Slack Adjuster Exterior

The Easy-On (EO) yoke assemblies are standard on the Bendix® Versajust® LS service basic slack adjusters. If the Quick Connect (QC) yoke is required, it must be purchased separately and installed by the customer.

All Bendix® Versajust® LS slack adjusters are supplied with a 45° lube fitting unless otherwise noted.

Bendix® Versajust® LS Automatic Slack Adjuster Kits

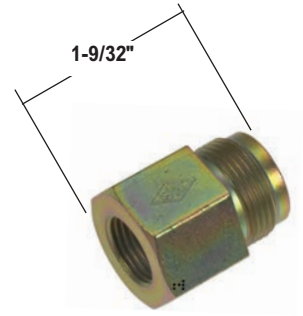
Complete Yoke Kit with Adapter Pc. No.	Yoke Kit Pc. No.	Adapter		
		Kit Pc. No.	Size	Type
K045129	K041758	107162	1/2"-20	Quick Connect
K045130	K041758	107161N	5/8"-18	Quick Connect
K046614	K154438	292756N	1/2"-20 x 25/32" Length	Easy-On
K046615	K154438	291452N	5/8"-18 x 25/32" Length	Easy-On
K046616	K154438	297001N	1/2"-20 x 1-9/32" Length	Easy-On
K046617	K154438	297700N	5/8"-18 x 1-9/32" Length	Easy-On
K047168	K041758	K045525N	M16 x 1.5	Quick Connect



Standard Easy-On Yoke Kit



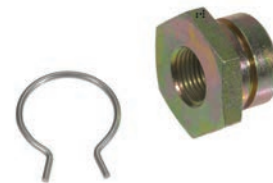
Standard Easy-On Adapter



Extended Easy-On Adapter



Quick Connect Yoke Kit



Quick Connect Adapter

Bendix® DS-1™ Combined Stop Light Switch Double Check Valve

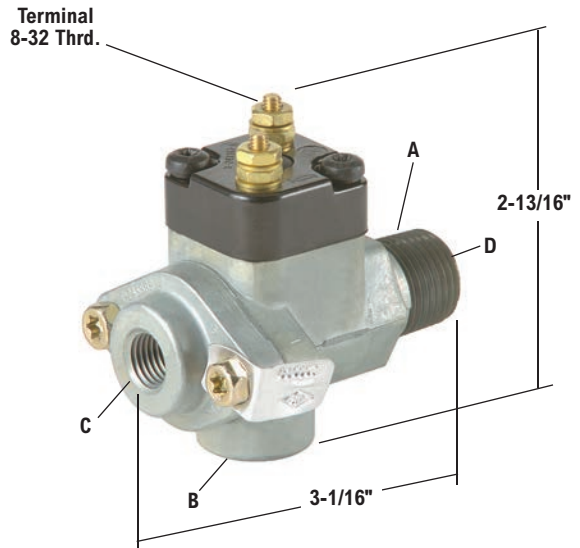
- Obsolete - no longer available
- Changeover kits include a double check valve and a stoplight switch
- Field Maintenance Kit 276142

V.M.R.S. 13-010-038

Obsolete Pc. No.	A Male P.T.	B Female P.T.	C Female P.T.	D Female P.T.	Changeover Kit Pc No.	Comments
228050N	1/2"	1/4"	1/4"	—	K108140	—
228165N	3/8"	1/4"	1/4"	—	K108141	—
228520N	1/2"	3/8"	1/4"	—	K108140	Note 1
229493	1/2"	1/4"	1/4"	1/4"	K108140	Note 2

Note 1: Coupling required to facilitate installation.

Note 2: The Bendix® DS-1™ double check valve and stoplight switch contains port D — a 1/4" female pipe thread. This port is not included on the Bendix® DC-4® check valve replacement. An additional coupling may be needed to facilitate this changeover.



Maintenance Kit Pc. No. 276142

Bendix® DS-2™ Combined Stop Light Switch Double Check Valve

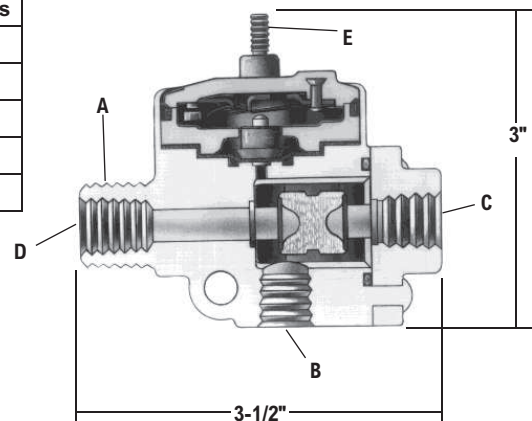
- Obsolete - No longer available.
- Changeover kits include a double check valve and a stoplight switch

V.M.R.S. 13-010-038

[SD-06-1804](#)

Obsolete Pc. No.	A Male P.T.	B Female P.T.	C Female P.T.	D Female P.T.	E Terminal Thread	Changeover Kit Pc No.	Comments
286452N	3/8"	3/8"	3/8"	—	8-32	K108142	—
286453N	3/8"	3/8"	3/8"	—	10-32	K108143	
286704	—	3/8"	3/8"	3/8"	10-32	K108143	Note 1
287287N	—			3/8"	10-32	K108143	Note 1
5010488N	3/8"			—	10-32	K108143	

Note 1: Coupling required to facilitate installation.

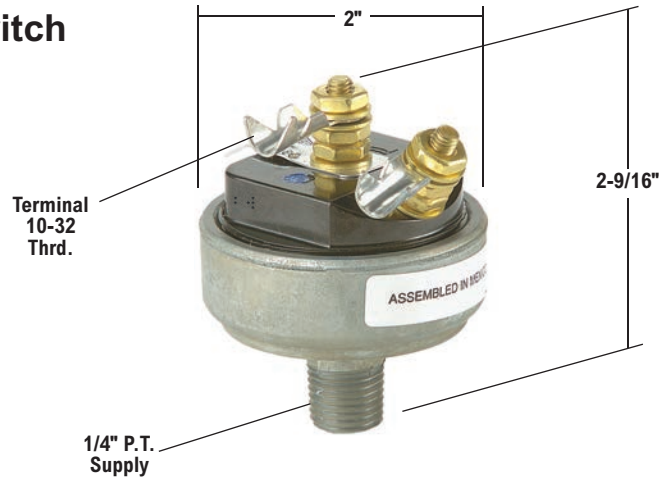


Bendix® SL-3™ Stop Light Switch

V.M.R.S. 34-002-008

[SD-06-1800](#)

Service New Pc. No.
226262N

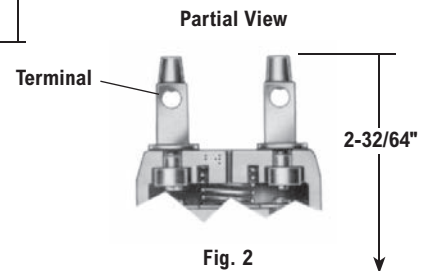
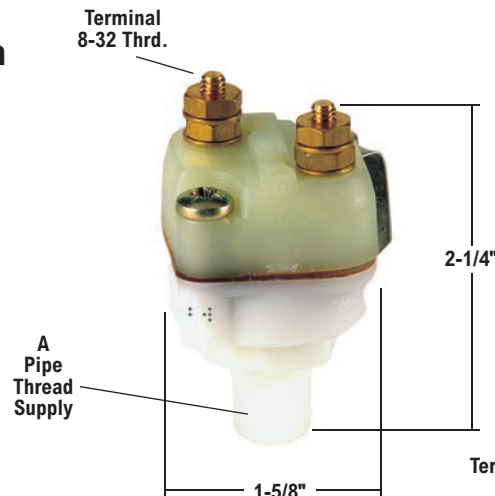


Bendix® SL-4™ Stop Light Switch

V.M.R.S. 34-002-008

[SD-06-1800](#)

Service New Pc. No.	A Pipe Thread	Fig. No.
228687N	3/8"	1
228688	1/4"	2
274746N	1/4"	1



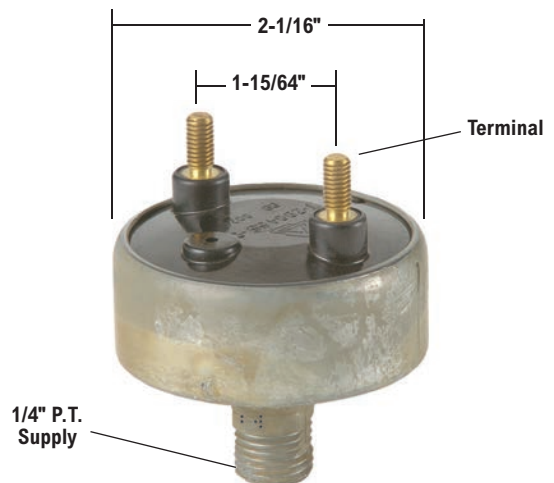
Bendix® SL-5™ Stop Light Switch

• Obsolete and superseded by Bendix SL-4 stop light switch

V.M.R.S. 34-002-008

[SD-06-1804](#)

Obsolete Pc. No.	Service Replacement Bendix SL-4 Stop Light Switch Pc. No.
286392N	K101996
286404N	K101997

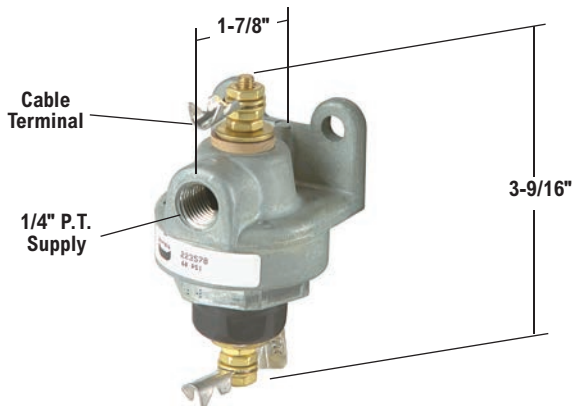


Bendix® LP-2™ Low Pressure Indicator

V.M.R.S. 03-001-037

[SD-06-1600](#)

Service New Pc. No.	Cut-Out Pressure P.S.I.	Remarks
223578N	60 + 5 - 0	
224044	70 ± 6	Without Cable Terminal
288408	60 ± 6	Weatherproof



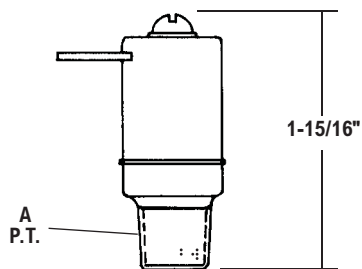
Bendix® LP-3™ Low Pressure Indicator

V.M.R.S. 03-001-037

[SD-06-1600](#)

Single Terminal

Service New Pc. No.	Cut-Out Pressure P.S.I.	A Pipe Thread
*104246N	66 ± 6	1/4"
279416N	60 ± 6	1/4"
279472	75 ± 6	1/4"
280530N	70 ± 6	1/4"
289397N	75 ± 6	1/8"

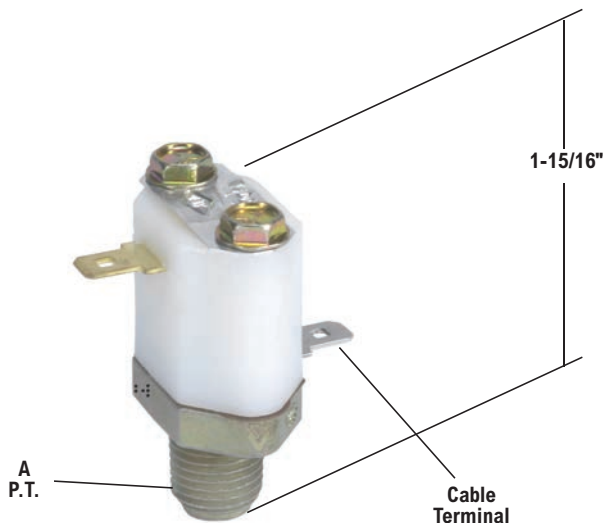


*Push on terminal

Double Terminal

Service New Pc. No.	Cut-Out Pressure P.S.I.	A Pipe Thread	Comments
228750N	60 ± 6	1/4"	
**275083N	-	1/4"	
276599N	30 ± 3	1/4"	
277155N	50 ± 5	1/4"	
*280743N	60 ± 6	1/4"	w/o cable terminal
284793N	80 ± 6	1/4"	w/o cable terminal
284833N	70 ± 6	1/4"	w/o cable terminal
283029N	60 ± 6	1/4"	w/o cable terminal
288522	66 ± 6	1/4"	w/o cable terminal

**Pc. No. 275083N has a cut-in pressure of 75 ± 6 PSI



Air Horn Kits

- Kits Include Horn Valve, Tubing & Fittings

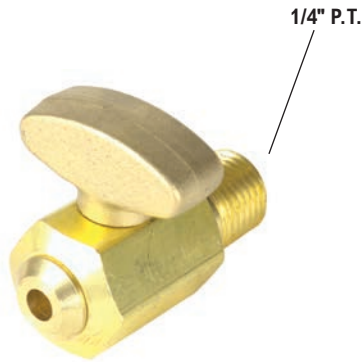
[i SD-06-130](#)

Air Horn Kits	Application Description
207945N	Includes Hand Operated Horn Valve 228013
207946	Includes Foot Operated Horn Valve 228672

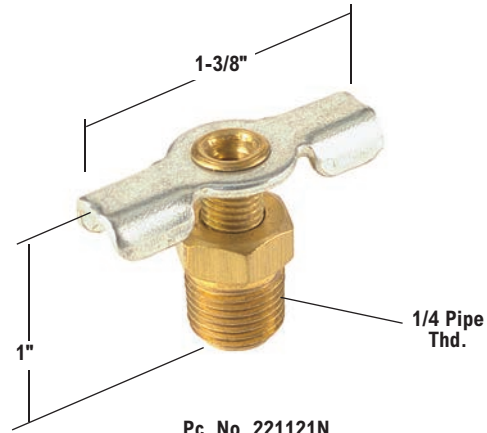
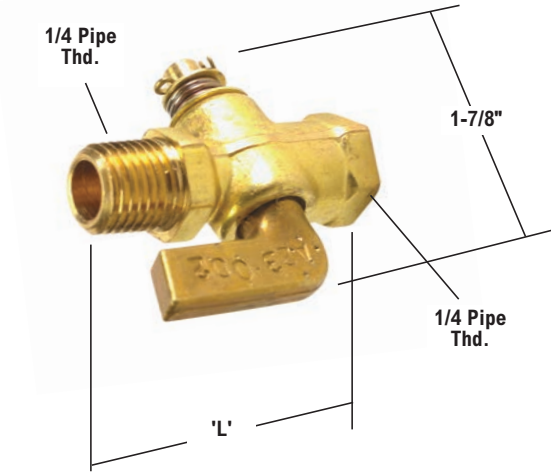


Bendix® C-1™ and C-3™ Cut-Out Cocks

Service New Pc. No.	'L' Length	Comments
220332N	1-7/8"	Closed as shown
226338N	1-7/8"	Open as shown
276068N	2-3/8"	Closed as shown



Pc. No. 103385N



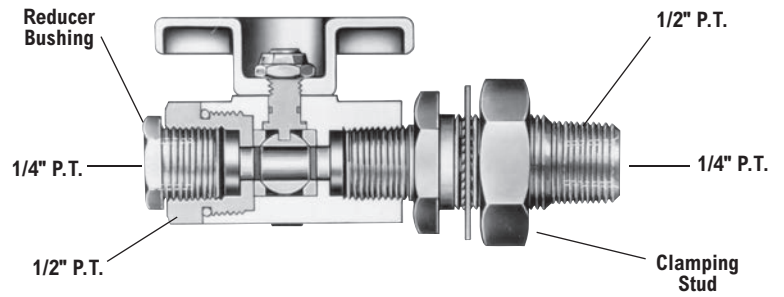
Bendix® C-5™ Cut-Out Cocks

- Maintenance Kit 285938
- Handle Kit K026452

i SD-06-1800



Service New Pc. No.	Clamping Stud Pc. No.	Reducing Bushing Pc. No.	Comments
285172N	NONE	NONE	Non-vented
285697	205730N	212741	Non-vented
106118N	—	—	Vented



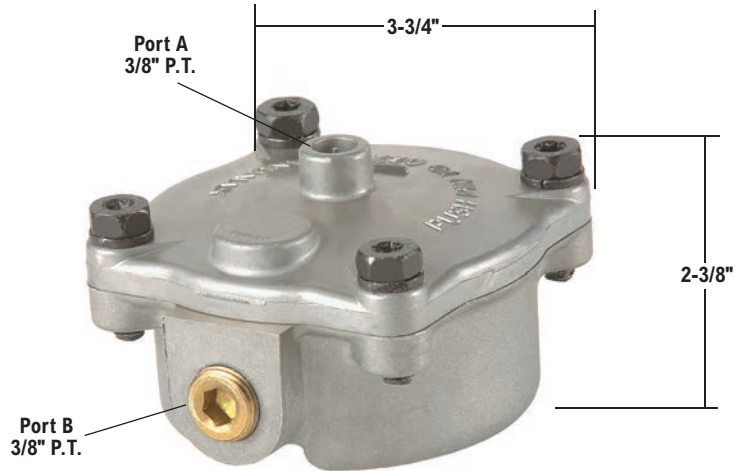
Bendix® C-5™ Valve Maintenance Kit Pc. No. 285938

Bendix® DV-2™ Automatic Reservoir Drain Valve

- Available Remanufactured Exchange
- Maintenance Kit 282134

V.M.R.S. 13-010-007

i SD-03-2501



Reman. Exch. Pc. No.	Service New Pc. No.	Port A		Port B		Heater System
		1/4" Adapter Pc. No.	Pipe Plug Pc. No.	1/4" Adapter Pc. No.	Pipe Plug Pc. No.	
281923RX	281923N	293248N	–	–	233057N	–
281924RX	281924N	–	233057N	293248N	–	–
284412RX	284412N	293248N	–	–	233057N	12V
–	284795N	–	233057N	293248N	–	12V
284412RX	284817N	293248N	–	–	233057N	24V
–	800077	293248N	–	–	233057N	12V



Maintenance Kit Pc. No. 282134

Copper Tubing and Tubing Clamps

V.M.R.S. 13-010-053

Tubing Outside Diameter	Tubing Length	Carton of Coiled Copper Tubing Pc. No.
1/4"	25 Ft.	279567
1/4"	50 Ft.	279568
5/16"	25 Ft.	279569
5/16"	50 Ft.	279570
3/8"	25 Ft.	279571
3/8"	50 Ft.	279572
1/2"	25 Ft.	279573
1/2"	50 Ft.	279574
5/8"	25 Ft.	279575
3/4"	25 Ft.	279576

All tubing above conforms with SAE Spec. J1149.

For Tubing O.D. Size	Tubing Clamp (Rubber Covered) Pc. No.
1/4"	232821N
5/16"	232822N
3/8"	232823N
1/2"	232824N
5/8"	232825
3/4"	232826N
1"	232827

SAE Standard J844 Nylon Tubing

V.M.R.S. 13-010-003

O.D. (Inches)	Wall Thickness (Inches)	Length Feet	Tubing Color	Nylon Tubing Pc. No.
1/8	.023	100	Black	249094
1/8	.023	1000	Black	112429
1/4	.040	100	Black	246113
1/4	.040	250	Black	246114
1/4	.040	100	Red	248441
1/4	.040	100	Yellow	248442
1/4	.040	100	Green	248443
1/4	.040	1000	Black	291995
5/16	.046	100	Black	249095
3/8	.062	100	Black	246115N
3/8	.062	250	Black	246116
3/8	.062	100	Red	248444N
3/8	.062	100	Yellow	248445
3/8	.062	100	Green	248446
3/8	.062	100	Orange	248447
3/8	.062	500	Black	291996
1/2	.062	100	Black	246117
1/2	.062	250	Black	246118
1/2	.062	100	Red	248448
1/2	.062	100	Green	248449N
1/2	.062	100	Orange	248450
1/2	.062	500	Black	291997
5/8	.092	100	Black	247606
3/4	.092	100	Black	247607
3/4	.092	100	Green	248451

Each carton of Nylon Tubing is designed for self dispensing. Adaptable for use with Standard Air Brake Fittings with the use of inserts.

Tube Inserts for Nylon Tubing



Can be used with standard Bendix tubing fittings.

For Tube Size O.D.	Service New Pc. No.
1/4"	246088N
5/16"	292802
3/8"	246089N
1/2"	246090N
5/8"	247608
3/4"	246091N

Standard Nuts and Sleeves



Nut



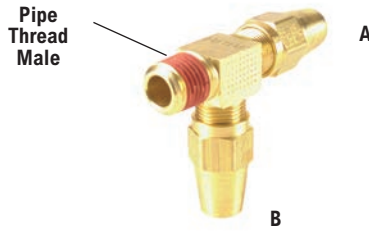
Sleeve

The tubing O.D. size determines the nut and sleeve used.

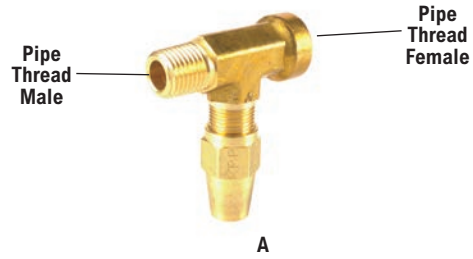
For Tubing Size O.D.	Nut Pc. No.	Sleeve Pc. No.
1/4"	200455	200457N
5/16"	200363	200364
3/8"	200360N	200361N
1/2"	203755N	203754N
5/8"	210613	210612N
3/4"	203896	203897
1"	203899	203900

Tubing Fittings

• Complies with DOT requirements per FMVSS 106.



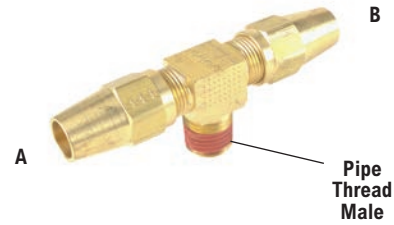
Pipe Thread Male	A Tubing O.D.	B Tubing O.D.	Tee Service New Pc. No.
1/8"	1/4"	1/4"	221978N
1/4"	3/8"	3/8"	205104N
3/8"	3/8"	3/8"	217050
3/8"	3/8"	1/2"	224647N



P.T. Female	P.T. Male	A Tubing O.D.	Tee Service New Pc. No.
1/4"	1/4"	3/8"	217619N
1/4"	3/8"	1/2"	224799N
1/2"	3/8"	3/8"	223664



P.T. Female	P.T. Male	A Tubing O.D.	Tee Service New Pc. No.
1/4"	1/4"	3/8"	215954
1/4"	3/8"	1/2"	217640N
3/8"	1/2"	1/2"	275284N



P.T. Male	A Tubing O.D.	B Tubing O.D.	Tee Service New Pc. No.
1/8"	1/4"	1/4"	205182N
1/8"	3/8"	3/8"	217051N
1/4"	1/4"	3/8"	225838
1/4"	3/8"	3/8"	205103N
3/8"	3/8"	3/8"	205177N
3/8"	1/2"	3/8"	224645N
3/8"	1/2"	1/2"	215700
1/2"	1/2"	1/2"	224721N
1/2"	5/8"	5/8"	221982



A Tubing O.D.	B Tubing O.D.	Union Service New Pc. No.
1/4"	1/4"	205514
3/8"	3/8"	205134N
1/2"	1/2"	215710
5/8"	5/8"	221826
3/4"	3/4"	216523
1"	1"	216339N



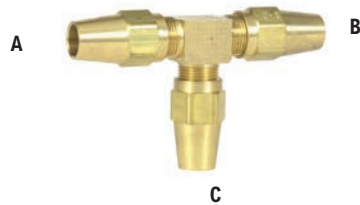
P.T. Female	A Tubing O.D.	B Tubing O.D.	Tee Service New Pc. No.
1/4"	3/8"	3/8"	224681N

Tubing Fittings (cont.)

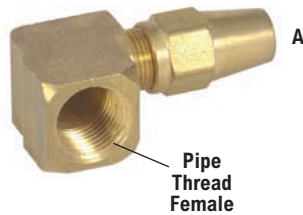
- Complies with DOT requirements per FMVSS 106.



P.T. Female	A Tubing O.D.	Connector Service New Pc. No.
1/8"	1/4"	205101N
1/4"	3/8"	205826
3/8"	3/8"	205827
3/8"	1/2"	215711
1/2"	1/2"	225561
1/2"	5/8"	221987N
1/2"	3/4"	229738N



A Tubing O.D.	B Tubing O.D.	C Tubing O.D.	Tee Service New Pc. No.
1/4"	1/4"	1/4"	221979N
3/8"	3/8"	1/4"	225760N
3/8"	3/8"	3/8"	205106N
1/2"	1/2"	3/8"	225836N
1/2"	1/2"	1/2"	215712N
5/8"	5/8"	3/8"	222064N
5/8"	5/8"	5/8"	221984



P.T. Female	A Tubing O.D.	Elbow Service New Pc. No.
1/8"	1/4"	221977N
1/4"	3/8"	205135
3/8"	3/8"	205830
1/2"	5/8"	221983



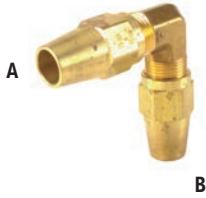
P.T. Male	A Tubing O.D.	Connector Service New Pc. No.
1/8"	1/4"	205127N
1/8"	3/8"	205509N
1/4"	1/4"	205183N
1/4"	5/16"	205054
1/4"	3/8"	205053
1/4"	1/2"	217690N
3/8"	3/8"	205824N
3/8"	1/2"	217525N
3/8"	5/8"	216685
1/2"	3/8"	222063
1/2"	1/2"	217691N
1/2"	5/8"	216684N
1/2"	3/4"	217621N
3/4"	1/2"	217689N
3/4"	3/4"	215762
3/4"	1"	225786N
1"	1"	215763



P.T. Male	A Tubing O.D.	B Height To Tubing Center	Elbow Service New Pc. No.
1/8"	3/8"	1-7/8"	215953
1/8"	1/4"	3/4"	205539N
1/8"	3/8"	31/32"	205522N
1/2"	3/4"	1-3/8"	217504N
1/4"	1/4"	15/16"	224318N
1/4"	3/8"	31/32"	205102N
1/4"	3/8"	1-7/16"	222858N
1/4"	1/2"	1-1/8"	220475N
3/8"	3/8"	15/16"	205829N
3/8"	1/2"	1-1/8"	215709N
3/8"	5/8"	1-5/32"	221993N
1/2"	3/8"	1-5/16"	222062N
1/2"	1/2"	1-5/16"	216310N
1/2"	5/8"	1-3/8"	221825N
3/4"	1/2"	1-5/16"	221536N
3/4"	5/8"	1-5/16"	229108N
3/4"	3/4"	1-3/8"	216520N

Tubing Fittings (cont.)

• Complies with DOT requirements per FMVSS 106.



A Tubing O.D.	B Tubing O.D.	Elbow Pc. No.
3/8"	3/8"	205113



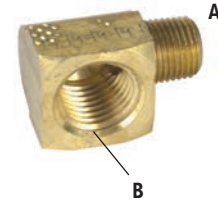
P.T. Male	A Tubing O.D.	Elbow (45°) Pc. No.
1/4"	3/8"	220722N
3/8"	3/8"	220291
3/8"	1/2"	220292
1/2"	3/8"	225650
1/2"	1/2"	227162
1/2"	5/8"	222065

Miscellaneous Fittings

V.M.R.S. 13-009-016



P.T.		Street Elbow 90° Pc. No.
A	B	
Brass		
1/8"	1/8"	233567
1/4"	1/4"	233568
3/8"	3/8"	233569N
1/2"	1/2"	233570
3/4"	3/4"	233571

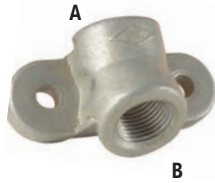


P.T.		Reducing Elbow 90° Pc. No.
A	B	
Brass		
1/8"	1/4"	232871N

Reducing Bushing Pc. No.	Pipe Thread	
	A	B
Brass		
212862N	3/8"	1/4"
230130N	1/2"	1/4"
230808N	1/2"	3/8"
Steel		
212349N	1/2"	3/8"
234680	3/4"	1/2"



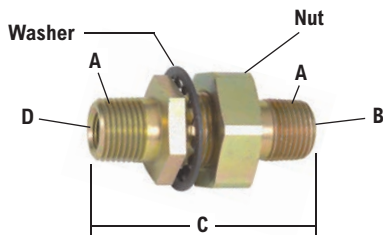
Miscellaneous Fittings (cont.)



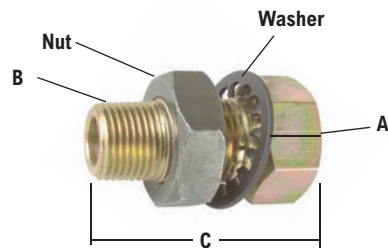
A Pipe Tap	B Pipe Tap	Anchor Elbow Pc. No.
1/4"	1/4"	201030N
3/8"	3/8"	212765N



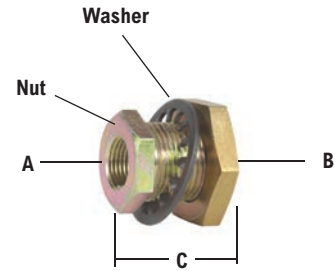
A Pipe Tap	B Pipe Tap	Anchor Elbow Pc. No.
1/4"	1/4"	201010N
3/8"	3/8"	233420N



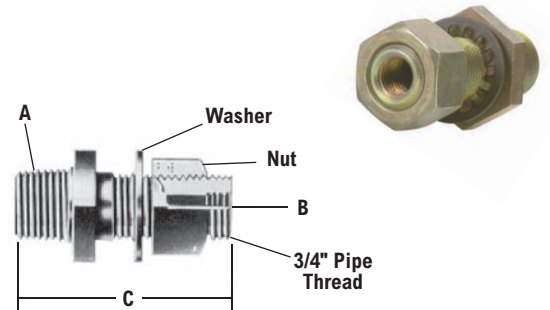
A P.T.	B Pipe Tap	C Length	D Pipe Tap	Clamping Stud Pc. No.
1/2"	1/4"	2-15/16"	-	205730N
1/2"	1/4"	3-15/16"	-	223464
1/2"	1/4"	2-15/16"	1/4"	228146



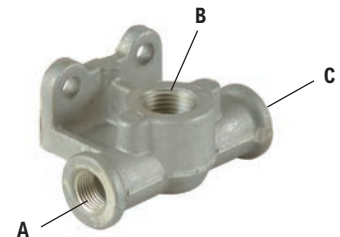
A Pipe Tap	B P.T.	C Length	Anchor Coupling Pc. No.
3/8"	3/8"	1-7/8"	215672N



A Pipe Tap	B Pipe Tap	C Length	Anchor Coupling Pc. No.
1/8"	1/8"	1-17/32"	225740N
1/4"	1/4"	31/32"	221204N
1/4"	1/4"	1-17/32"	205465N
3/8"	3/8"	1-5/16"	217709N



A P.T.	B Pipe Tap	C Length	Clamping Stud Pc. No.
1/2"	1/4"	2-1/8"	205498N
1/2"	1/4"	2-1/2"	205499

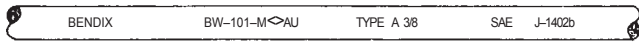


A Pipe Tap	B Pipe Tap	C Pipe Tap	Anchor Tee Pc. No.
1/4"	3/8"	1/4"	231379N
3/8"	3/8"	3/8"	236056N
3/8"	1/2"	3/8"	239727N

TYPE BW-101-M TYPE A HOSE is standard for all flexible connections in the air brake system where conditions do not require a larger hose. They are most commonly used for Brake Chamber Hose connections, or Trailer Hose connections.

Identify by inside and outside diameters and continuous marking on the outside surface.

3/8" I.D. TYPE A (FRONT VIEW)



BACK VIEW



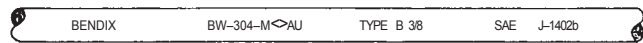
BW-101-M HOSE is available as follows:

PC. NO.	DESCRIPTION	ORDER BY PIECE NUMBER
285496	50 Ft. Coil Carton	

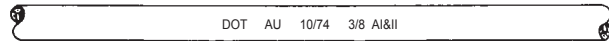
BW-304-M TYPE B HOSE is standard for all flexible connections in the air brake system where conditions do not require a larger hose. It is most commonly used for Brake Chamber Hose connections, or Trailer Hose connections.

Identify by inside and outside diameters and continuous markings on the outside surface.

3/8" I.D. TYPE B (FRONT VIEW)



BACK VIEW



BW-304-M HOSE is available as follows:

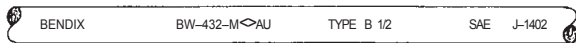
PC. NO.	DESCRIPTION	ORDER BY PIECE NUMBER
277546	50 Ft. Coil Carton	
285497	100 Ft. Coil Carton	
285498N	250 Ft. Coil Reel	

TYPE BW-432-M TYPE B HOSE is of similar construction to BW-101-M TYPE B HOSE but has larger inside and outside diameters. It is used in special cases requiring a larger hose than the standard Type BW-101-M.

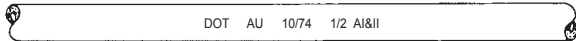
Identify by inside and outside diameters and continuous markings on the outside surface.

BW-127-M HOSE is available in a maximum length of 50 Ft. It is supplied as follows:

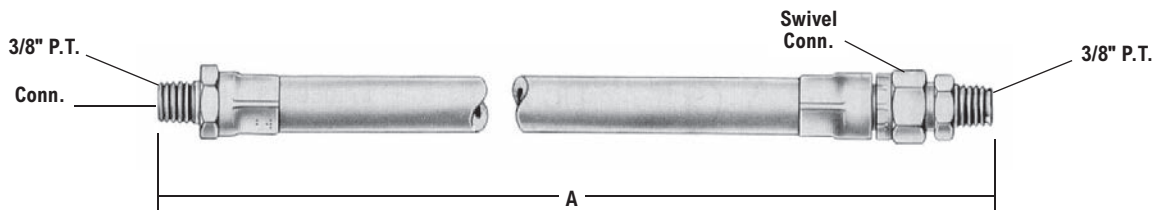
1/2" I.D. TYPE B (FRONT VIEW)



BACK VIEW



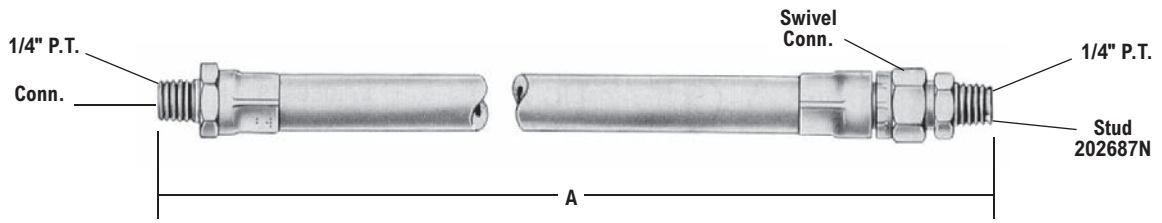
PC. NO.	DESCRIPTION	ORDER BY PIECE NUMBER
5006705	50 Ft. Coil Bulk	



BW-432-M Type B 1/2" I.D. x 7/8" O.D.

1/2" I.D. TYPE B HOSE

A Overall Length	Hose Assembly Pc. No.	A Overall Length	Hose Assembly Pc. No.	A Overall Length	Hose Assembly Pc. No.	A Overall Length	Hose Assembly Pc. No.	A Overall Length	Hose Assembly Pc. No.
18"	5005961	24"	5005964	32"	5005968	38"	5005971	46"	5005975
20"	5005962	26"	5005965	34"	5005969	40"	5005972	48"	5005976
22"	5005963	28"	5005966	36"	5005970	44"	5005974	60"	5005977



BW-304-M Type B 3/8" I.D. x 3/4" O.D.

3/8" I.D. TYPE B HOSE

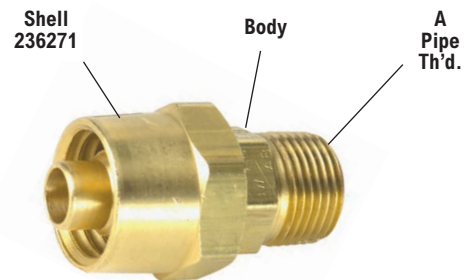
A Overall Length	Hose Assembly Pc. No.	A Overall Length	Hose Assembly Pc. No.	A Overall Length	Hose Assembly Pc. No.	A Overall Length	Hose Assembly Pc. No.
15-1/8	228533	24-7/8	228544N	32	228552	45-1/8	228563
18-5/8	228535	26-7/8	228547	34-3/8	228554	50-1/8	228565
20-3/8	228539	27-5/8	228548	36-1/8	228555	54-1/8	228566
22-5/8	228541N	29-1/8	228549	38-1/8	228557	68-5/8	228567
24-1/8	228472	30-1/8	228550	42-5/8	228561		

FOR 3/4 O.D. x 3/8 I.D. HOSE

Hose Connector

For BW-101-M & BW-304-M Hose

A P.T.	Hose Connector Pc. No.	Body Pc. No.
1/4"	226134	236268
3/8"	226135	236269
1/2"	226136	236270

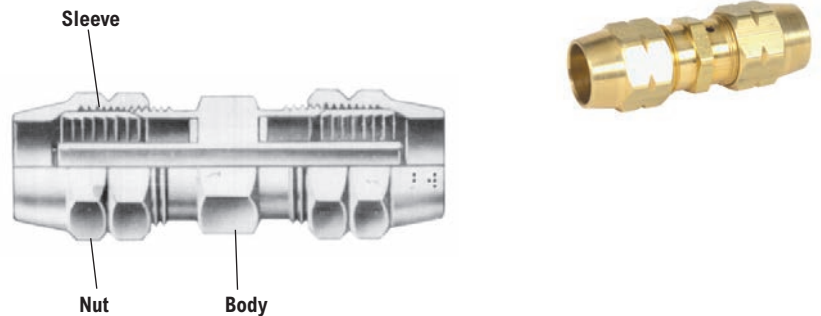


FOR 3/4 O.D. x 3/8 I.D. HOSE

Hose Union

For BW-101-M & BW-304-M Hose

Hose Union Pc. No.	Body Pc. No.	Sleeve 2 Required Pc. No.	Nut 2 Required Pc. No.
216678	216694	203610N	203624

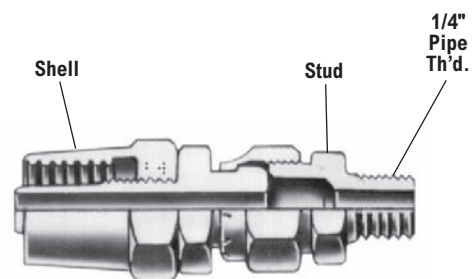


FOR 3/4 O.D. x 3/8 I.D. HOSE

Hose Connector (Swivel)

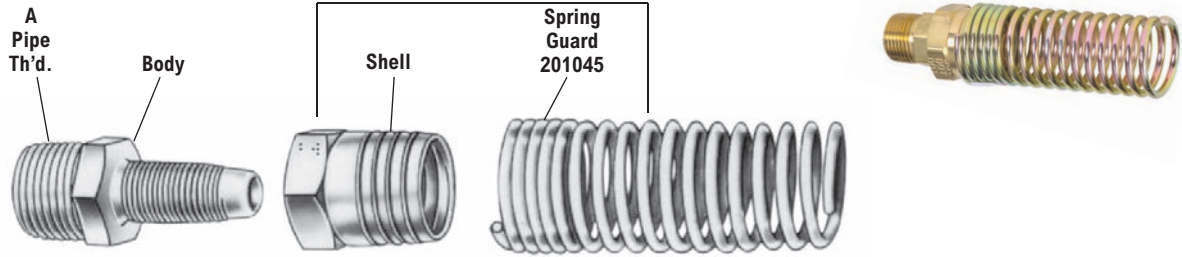
For BW-101-M & BW-304-M Hose

Hose Connector (Swivel) Pc. No.	Stud Pc. No.	Shell Pc. No.
226293N	202687N	236271



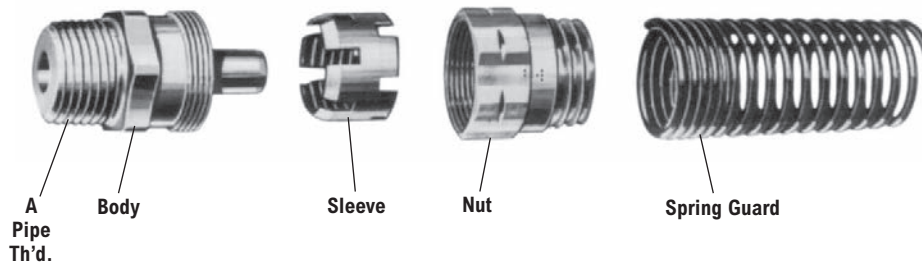
Shell and Spring Assy.
226950

FOR 3/4 O.D. x 3/8 I.D. HOSE



Hose Connector with Spring Guard For BW-101-M & BW-304-M Hose

A P.T.	Hose Connector with Spring Guard Pc. No.	Body Pc. No.
1/4"	226137	236268
3/8"	226138	236269
1/2"	226139N	236270



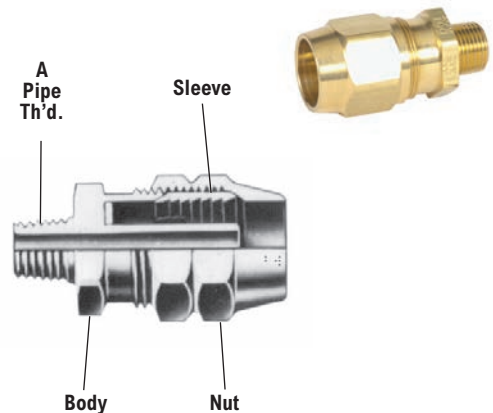
Hose Connector with Spring Guard

A P.T.	For Hose	Body Pc. No.	Sleeve Pc. No.	Nut Pc. No.	Spring Guard Pc. No.	Hose Connector with Spring Pc. No.
1/4"	3/8" I.D. Types A & B	215993	203610N	203613	201045	215536N
3/8"	3/8" I.D. Types A & B	233470	203610N	203613	201045	223907N
3/8"	7/16" I.D. Types A & B	216173	204741	204742	204743	216172
1/2"	3/8" I.D. Types A & B	215992	203610N	203613	201045	215535N

Hose Fittings

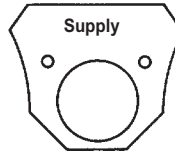
Hose Connector

A P.T.	For Hose No.	Hose Connector Pc. No.	Body Pc. No.	Sleeve Pc. No.	Nut Pc. No.
1/2"	BW-101 & 304-M	215539	215992	203610N	203624
1/4"	BW-101 & 304-M	215540N	215993	203610N	203624
3/8"	BW-127 & 348-M	217604	216173	204741	212318
3/8"	BW-101 & 304-M	224887	233470	203610N	203624

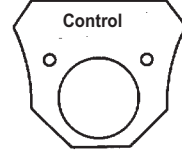


Hose Suspension Spring

Description	Spring Pc. No.
3/4" Dia.-Std.	200661N
1" Dia.-H.D.	249393
1-1/16" Dia.-H.D.	249394



Connection Tag
For 'Supply' Hose Line
Pc. No. 201499N



Connection Tag
For 'Control' Hose Line
Pc. No. 201500N

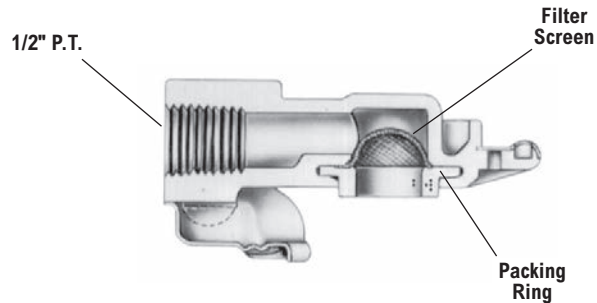
Hose Couplings

V.M.R.S. 13-010-030
13-010-031

Bendix® HC-1™ Hose Coupling

Pc. No.	Filter Screen Pc. No.	Coupling Identification
275150N	None	None
*275824	None	None
278698N	241839N	None

* With 1/2" Nipple Pc. No. 212324N



Bendix® HC-2™ Hose Coupling

Hose Coupling Pc. No.	Filter Screen Pc. No.	Coupling Identification
278850N	None	Control
278851N	None	Supply
278852N	241839N	Control
278853N	241839N	Supply

Filter Screen



Pc. No. 241839N
Fits All Couplings

Packing Rings



Pc. No. 213630N
Standard

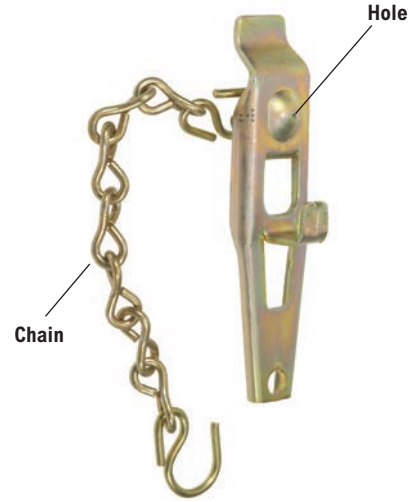


Pc. No. 248579
Double Lip
Fits All Couplings

Dummy Couplings

Dummy Coupling with Chain Service New Pc. No.	Rivet Eye	Hole Dia.	Chain Pc. No.
220635N	None	1/8"	212930
220636N	None	None	212930
224810N	Included	None	212930
277994	None	None	212930

Dummy Coupling Service New Pc. No.	Hole Dia.
212227N	None
291991N	3/16"

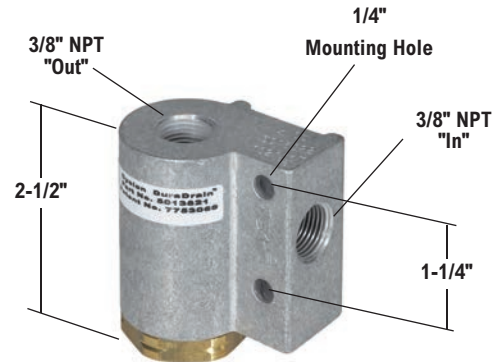


Bendix® Cyclone DuraDrain® Water Separator

- Removes moisture
- Purge Nut Kit Pc. No. 5013824
- Mounting Spacer Kit Pc. No. 5014792

i [SD-08-2402](#)

Service New Pc. No.
801747

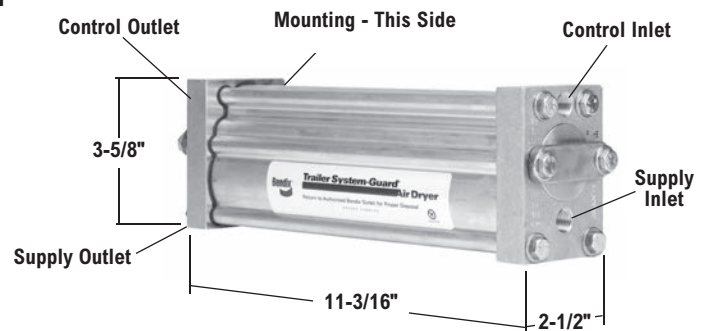


Bendix® Trailer System-Guard® Air Dryer

- Removes both moisture and solid contaminants

i [SD-08-2416](#)

Service New Pc. No.
800765

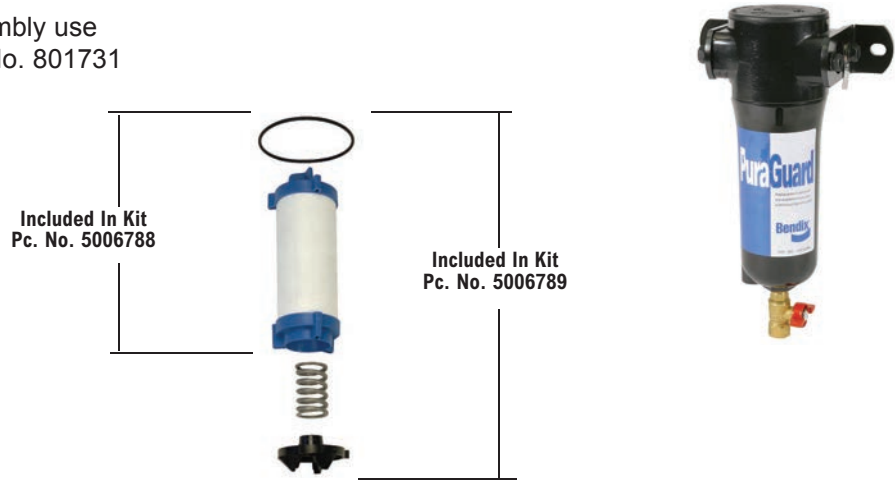


All Supply and Control Ports 1/4" NPT

Bendix® PuraGuard® Filter

- For service new replacement assembly use PuraGuard® QC Filter Service Pc. No. 801731
- Maintenance Kit Pc. No. 5006788
- Rebuild Kit Pc. No. 5006789

[i SD-08-187](#)

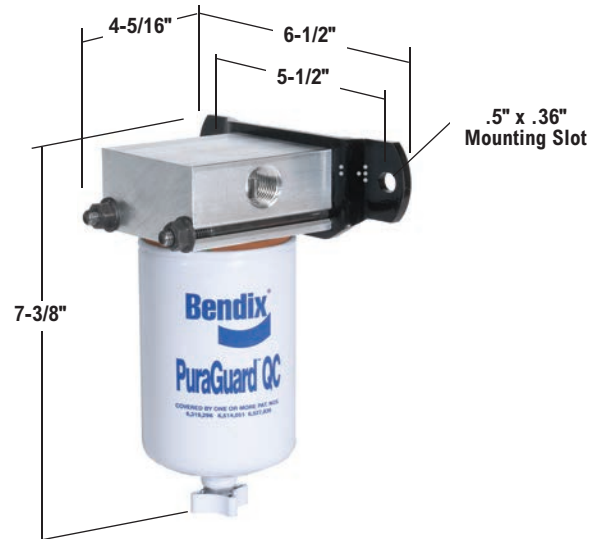


Bendix® PuraGuard® QC™ Filter

- Mounting Bracket Kit Pc. No. 5013671N
- Cartridge Kit Pc. No. 5013672

[i SD-08-187B](#)

Service New Pc. No.
801731



Bendix® AF-3™ In-Line Filter

- Removes Solid Contaminants

[i SD-08-2401](#)

Service New Pc. No.
801331



Bendix® AD-2® Air Dryer

- End Cover Available Remanufactured Exchange

V.M.R.S. 13-010-033

[i SD-08-2403](#)

Bendix® AD-2® Air Dryer Field Installation Kits For Trucks

Reman. Exch. Pc. No.	Service New Pc. No.	Inlet/Outlet Size (P.T.)	Heater
286934RX	286934N	1/2"	12V / 60W
—	286936N	1/2"	24V / 60W

Service/Maintenance Information Maintenance Kits:

Service New Pc. No.	Description
286718	Desiccant Cartridge Refill Kit
287313	Desiccant Cartridge Kit
101900X	Reman. Desiccant Cartridge
287298N	Check Valve Maintenance Kit
287053N	Purge Valve Maintenance Kit
102657N	Thermostat Maintenance Kit
288918	Thermostat Cover Maintenance Kit



End Covers

Reman. Exch. Pc. No.	Service New Pc. No.	Heater
103253RX	—	24V / 120W
286875RX	286875N	12V / 60W
286876RX	286876	24V / 60W

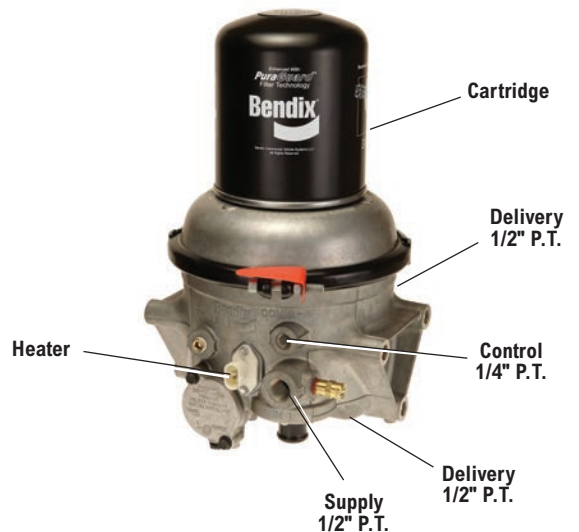
Bendix® AD-9si® Air Dryer

- End Cover Available Remanufactured Exchange

V.M.R.S. 13-010-033

[i SD-08-2433](#)

Service New Pc. No.	Cartridge	Cartridge Type	Port Size (P.T.)	Heater
K092871PG	K042994	PuraGuard	1/2"	12V / 75W
K092871	5008415	Standard	1/2"	12V / 75W



IMPORTANT: If the Bendix® PuraGuard® oil coalescing cartridge is replaced, it must be replaced with a like unit.

Bendix® AD-9® and AD-9® IPC Air Dryer

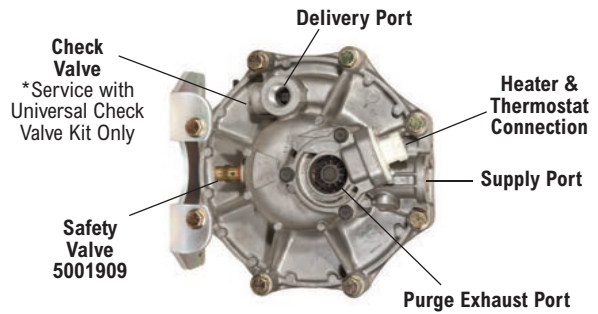
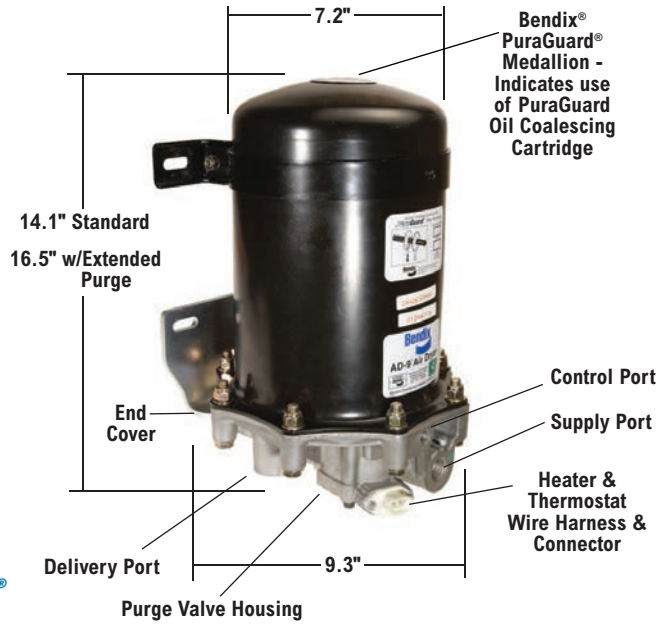
- More Desiccant Works Longer
- Compact Size Saves Space
- Remanufactured Exchange

V.M.R.S. 13-010-033

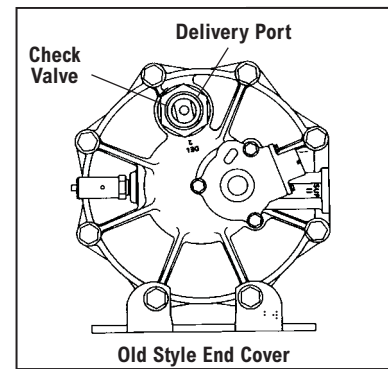
i SD-08-2412



IMPORTANT: If the Bendix® PuraGuard® oil coalescing cartridge is replaced, it must be replaced with a like unit.



New Style End Cover



Service New Pc. No.	Reman. Exch. Pc. No.	Purge Volume	Purge Valve	Port Size (P.T.)	Heater	Notes
065225	109685X	Standard	Hard	1/2"	12V / 75W	
065226	109687X	Standard	Hard	3/4"	12V / 75W	
800243	-	Standard	Hard	3/4"	24V / 100W	
065650	109689X	Standard	Soft	1/2"	12V / 75W	
065651	109690X	Standard	Soft	3/4"	12V / 75W	
065652	109691X	Extended	Soft	3/4"	24V / 75W	
065499	-	Standard	DLU	1/2"	12V / 75W	
065605	-	Standard	DLU	3/4"	24V / 75W	
065647	-	Standard	Soft	1/2"	12V / 75W	Drop In*
065243	5000205X	Extended	Hard	1/2"	12V / 75W	
065228	065228RX	Extended	Hard	3/4"	12V / 75W	
800686	-	Extended	Hard	1/2"	24V / 75W	
065227	109688X	Extended	Hard	3/4"	24V / 75W	
803106	5020297X	Standard	Hard	1/2"	12V / 75W	Freightliner® DTNA - Cascadia**
800069		Extended			24V / 75W	Drop In*
K046475		Standard			12V / 75W	Tandem
K046476		Standard			24V / 75W	Tandem

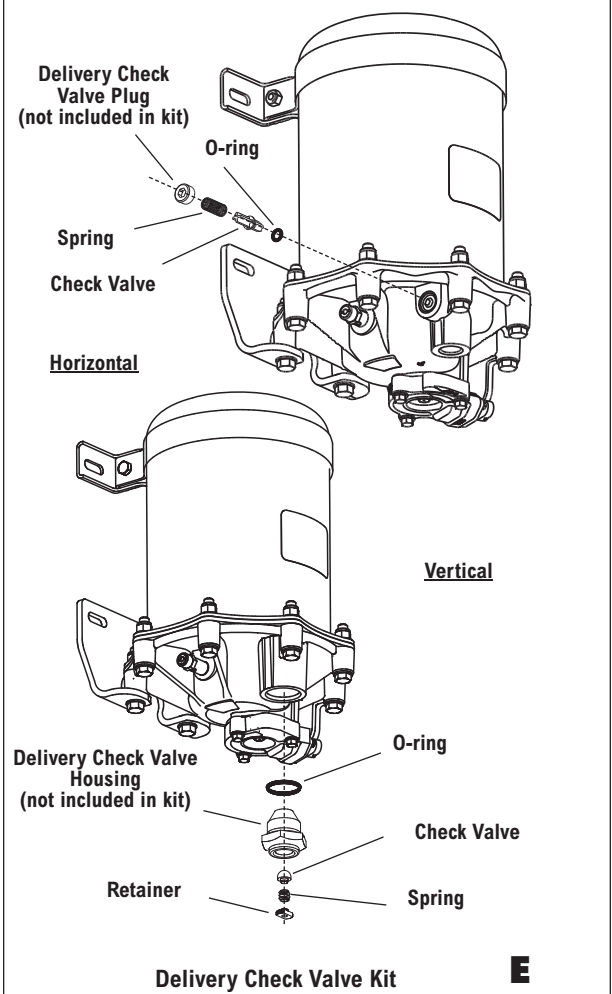
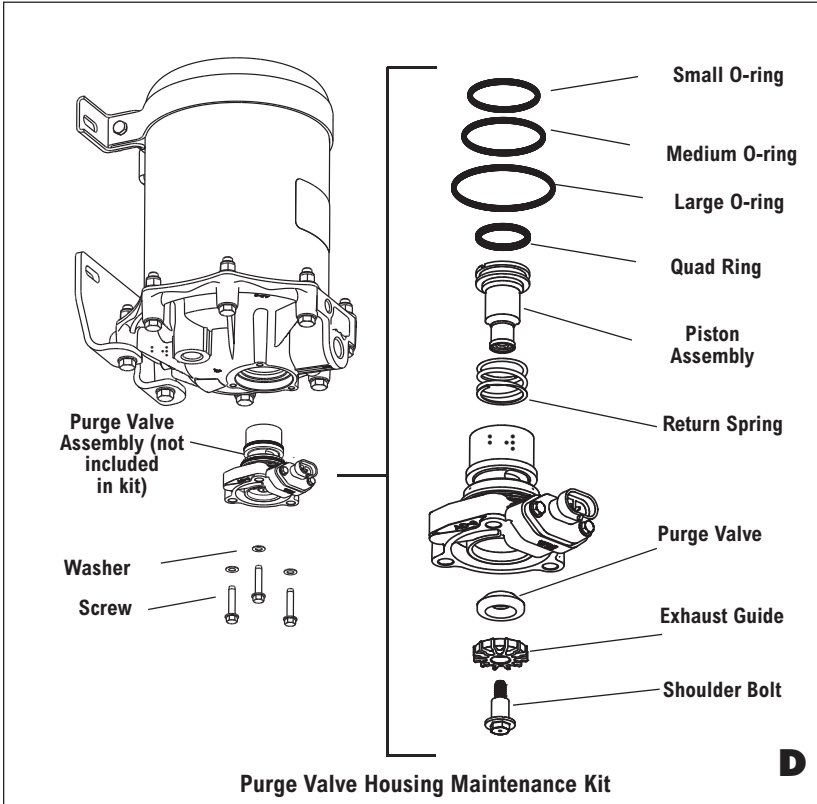
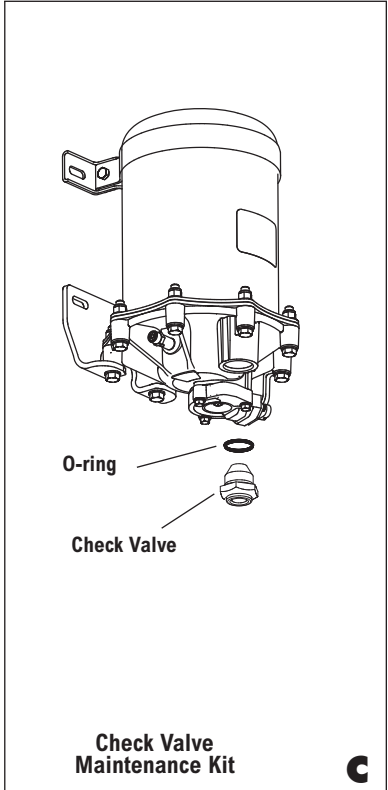
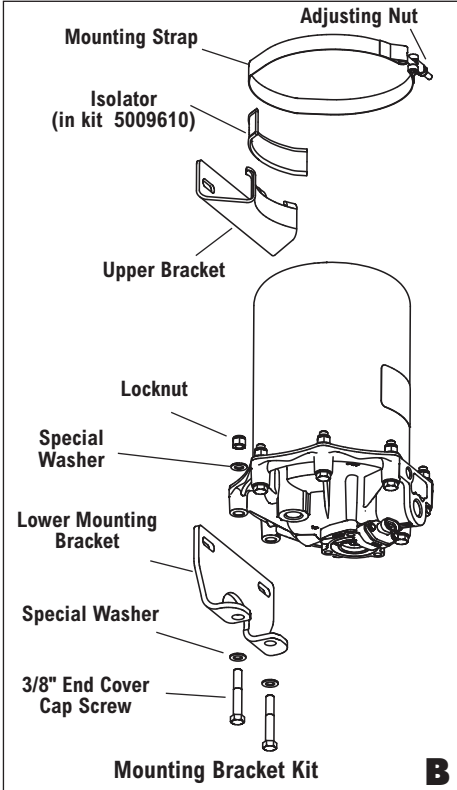
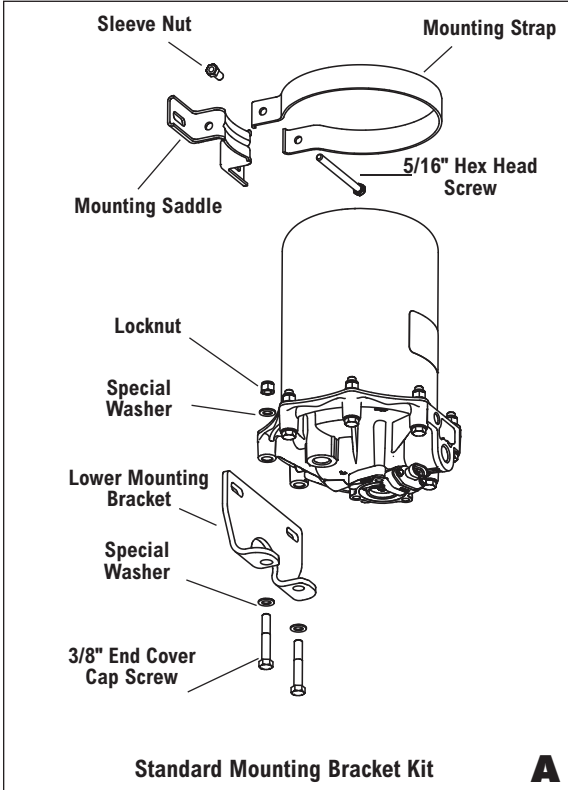
*For use with Holset Series QE Compressors only

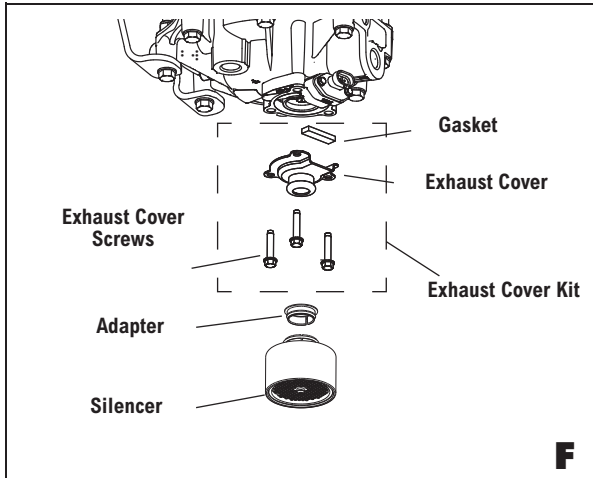
**Other Bendix® AD-9® air dryer models can not be used in this application.

MAINTENANCE KITS						
Kit Part Number	Service New (S) or Reman Exchange (RX)	Purge Valve Type	Heater	Connector Color	Kit Description	Illustration (see following pages)
107695	S	-	-	-	Complete Mounting Bracket Kit - Contains the upper and lower brackets as well as the necessary mounting hardware.	A
5002080	S	-	-	-	Mounting Kit	B
5009610	S	-	-	-	Mounting Kit with Isolator	
107799	S	-	-	-	End Cover Check Valve Assembly Replacement - 3/4" thread size.	C
107800N	S	-	-	-	End Cover Check Valve Assembly Replacement - 1/2" thread size.	
5005037	S	Hard Seat	-	-	Purge Valve Housing Maintenance Kit - Contains the parts necessary to rebuild the air portion of the purge valve housing and does not include the heater and thermostat.	D
5005893	S	Soft Seat	-	-		
K041395	S	-	-	-	Universal Check Valve Kit	E
5003838	S	-	-	-	Exhaust Cover Kit	F
5004224N	S	-	-	-	Silencer Kit	G
107796	S	-	-	-	Desiccant Cartridge Replacement Kit - Contains the parts necessary to change the desiccant cartridge only.	H
107794X	RX	-	-	-		
107796PG	S	-	-	-		
107794PGX	RX	-	-	-		
109960	S	-	-	-	Makeup Line Kit with 13 inch makeup line	I
5000457	S	-	-	-	Makeup Line Kit with 8.6 inch makeup line	
109961	S	-	-	-	Adapter Kit	
800405	S	Soft Seat	12V-75W	White	Purge Valve Housing Assembly (w/ heater and thermostat)	J
5004338	S	Soft Seat	24V-75W	Gray		
5004341X	RX	Soft Seat	12V-75W	White		
5004342X	RX	Soft Seat	24V-75W	Gray		
5004479	S	Hard Seat	12V-75W	White		
5004480	S	Hard Seat	24V-75W	Gray		
5004381	S	Hard Seat	24V-100W	Yellow		
5004339	S	DLU	12V-75W	White		
5004340	S	DLU	24V-75W	Gray		
5006580	S	DLU	24V-100W	Yellow		
K092641	S	-	-	-	Stabilizer Kit	K
109578	S	-	12V-75W	White	Heater and Thermostat Kit	L
109579	S	-	24V-75W	Gray		
5002595	S	-	24V-100W	Yellow		
109871N	S	-	-	-	Heater Electrical Splicing Kit	M
113209	S	-	-	-	Universal Mounting Plate	N
K045359	S	-	-	-	Governor Mounting Bracket	-

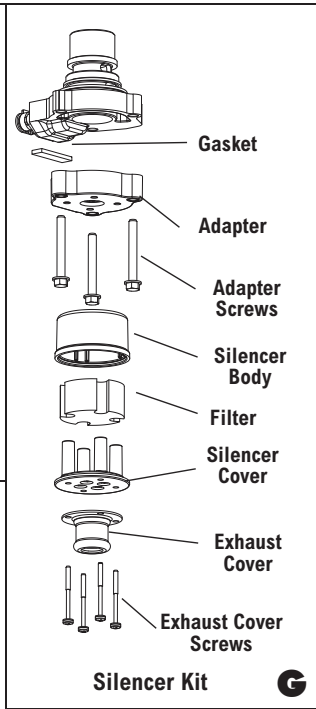
Bendix® AD-9® master kit part no. K119759 consists of the following kits:

Kit	Description
109578	Heater and Thermostat replacement kit
5004479	Standard purge valve assembly kit
K041359	Universal check valve kit
107794PG	Bendix AD-9 PuraGuard desiccant cartridge kit

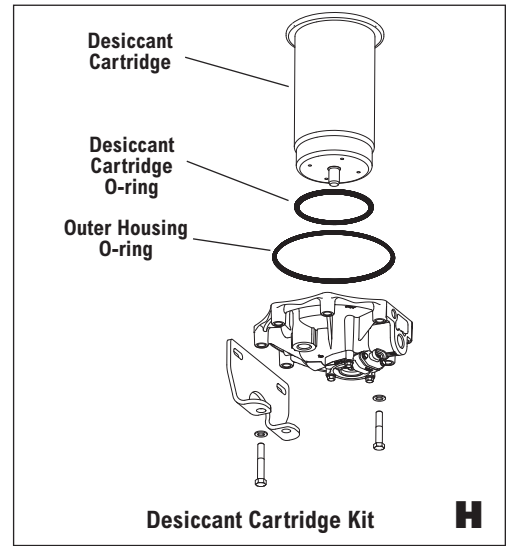




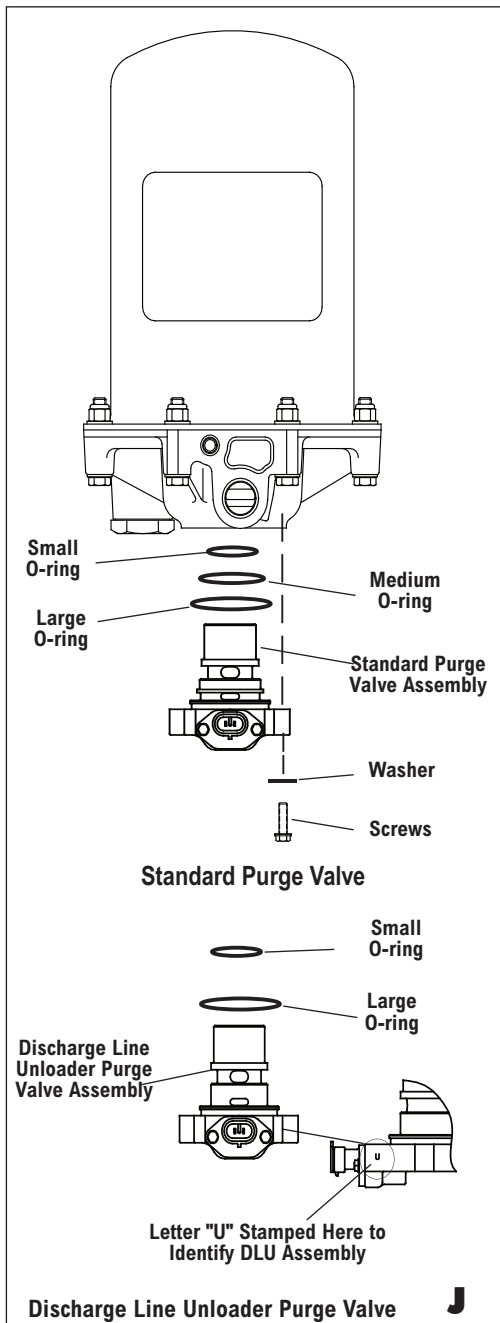
F



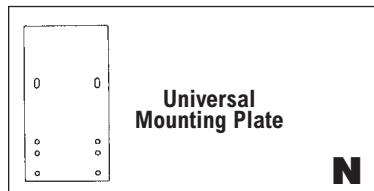
G



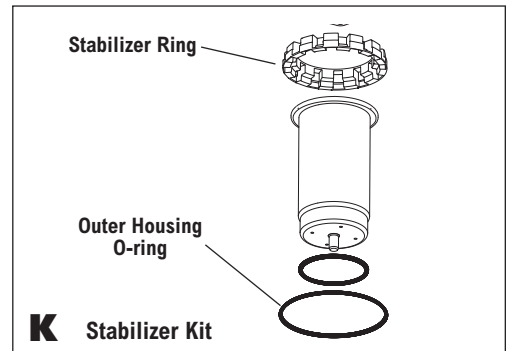
H



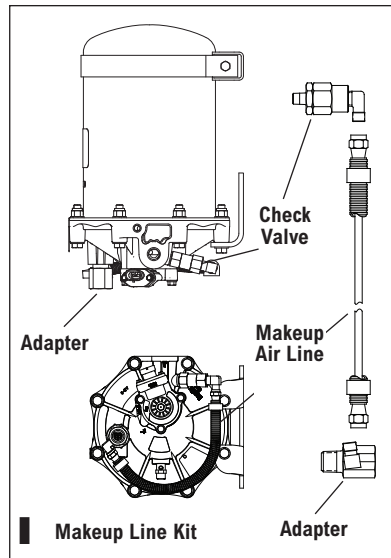
J



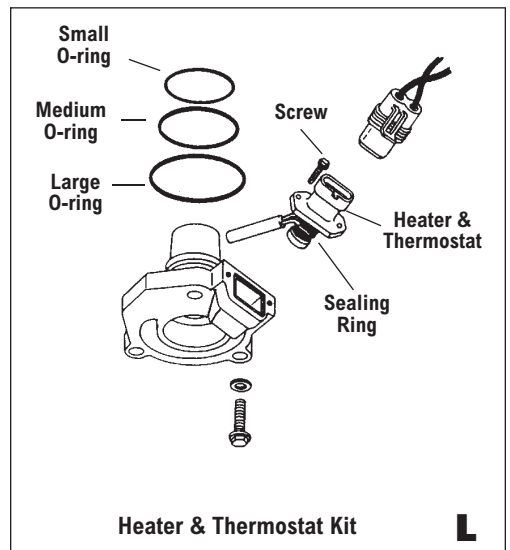
N



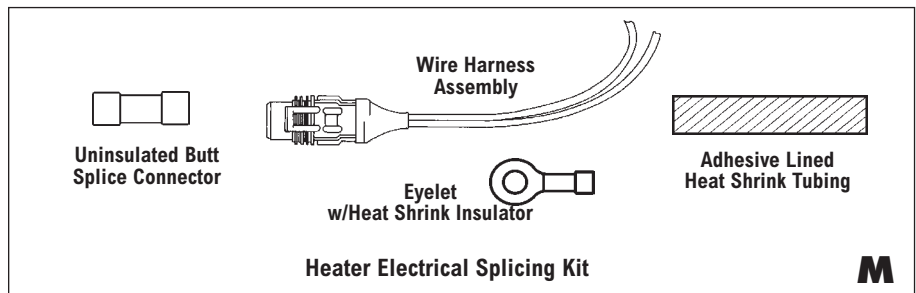
K



I



L



M

Bendix® AD-SP® Air Dryer

- System Purge

V.M.R.S. 13-010-033

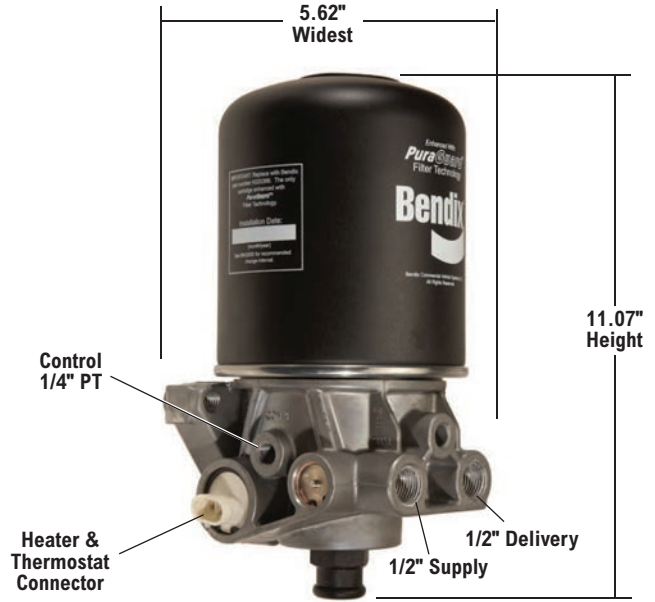
[SD-08-2415](#)

Bendix® AD-SP® Air Dryers & Field Installation Kits

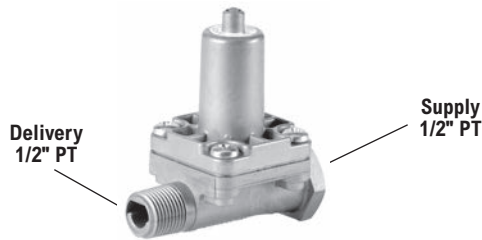
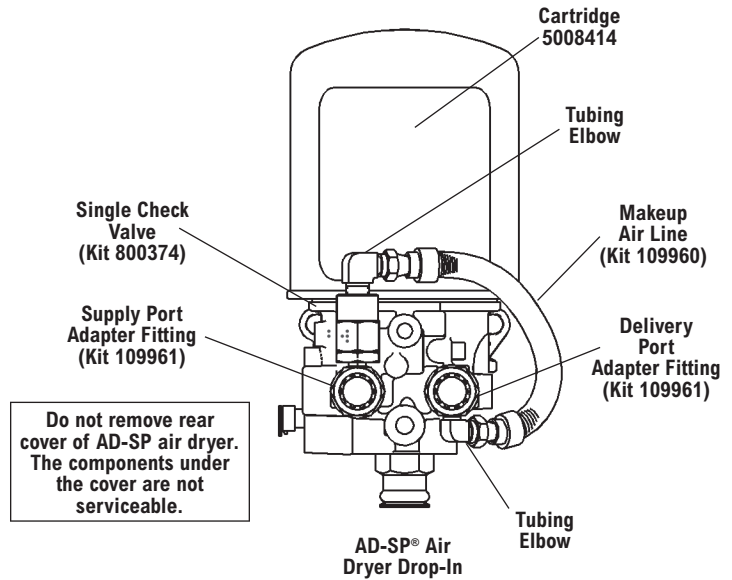
AD-SP® Air Dryer w/ SC-PR™ Valve Service New Pc. No.	AD-SP® Air Dryer Service New Pc. No.	Heater & Thermostat Volts / Watt (See Note 1)	Comments
131031	800887	12V / 90W	—
131032	800972	24V / 90W	—
—	800973	12V / 90W	Drop-In
—	800974	24V / 90W	Drop-In

Note 1: 12 & 24 volt AD-SP air dryers are identified by connector color – White = 12V, Gray = 24V

Maintenance Kits and Service Parts	
Desiccant Cartridge Kit	5008414
Bendix® PuraGuard® Oil Coalescing Cartridge Kit	5008414PG
Purge Valve Kit	109995
Check Valve Kit	5005624
Mounting Bolt Kit	5001201
Silencer Kit	K021189
Turbo Cut-off Kit	109993
Heater & Thermostat Kit - 12V	109495
Heater & Thermostat Kit - 24V	109496
Wire Harness & Splice Kit	109871N



Bendix® AD-SP® Air Dryer



Bendix® SC-PR™
Single Check Protection Valve – must be used in conjunction with the Bendix AD-SP Air Dryer 065677 - Service New



IMPORTANT: If the Bendix® PuraGuard® oil coalescing cartridge is replaced, it must be replaced with a like unit.

Bendix® AD-IP® Air Dryer

- Integral Purge Air Dryer

V.M.R.S. 13-010-033

i SD-08-2414

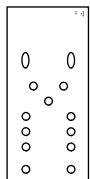
Description	Pc. No.
Cartridge Bolt Kit	109498
Desiccant Cartridge Service New	065624
Desiccant Cartridge Remanufactured	109493X
Bendix® PuraGuard® Coalescing Cartridge Kit - Service New	065624PG
PuraGuard Coalescing Cartridge Kit - Reman Exchange	109493PGX
Desiccant Cartridge O-ring Kit	5011387
Delivery Check Valve Kit	109494
Exhaust Cover Kit	5011327
Extended Purge Kit 3/8" U-Bolt; 90 in ³ Reservoir	5012561N
Extended Purge Kit 3/8" U-Bolt; 288 in ³ Reservoir	5008972
Extended Purge Kit 1/2" U-Bolt; 90 in ³ Reservoir	5005309N
12 Volt Heater & Thermostat Kit	109495
24 Volt Heater & Thermostat Kit	109496
Mounting Bracket Kit	5001247
Silencer Kit	K021189
Wiring Harness & Splicing Kit	109871N
Bendix® ST-4™ Safety Valve	800155

For purge valve kits see the Bendix® AD-IS® and AD-IP® Air Dryer Purge Valve Maintenance Kit section of this catalog.

Service New Pc. No.	Reman. Exch. Pc. No.	Heater & Thermostat Volts / Watt	Comments
065612	109477X	12V / 90W	Notes 2, 3, 4
065613	109478X	24V / 90W	Notes 2, 3, 4
065693	109503X	12V / 90W	Notes 1, 2
800089	5000985X	12V / 90W	Notes 2, 3, 4
800618	5006234X	24V / 90W	Notes 2, 3, 4, 5
800576	5005556X	12V / 90W	Notes 2, 3, 4, 5

Notes:

1. No upper or lower mounting bracket.
2. 12 & 24 volt air dryers are identified by connector color - White = 12v, Gray = 24v
3. Center to center of slots in both mounting brackets 5.64 inches
4. Includes 5001247 (mounting bracket kit)
5. Extended Purge



Universal Mounting Plate

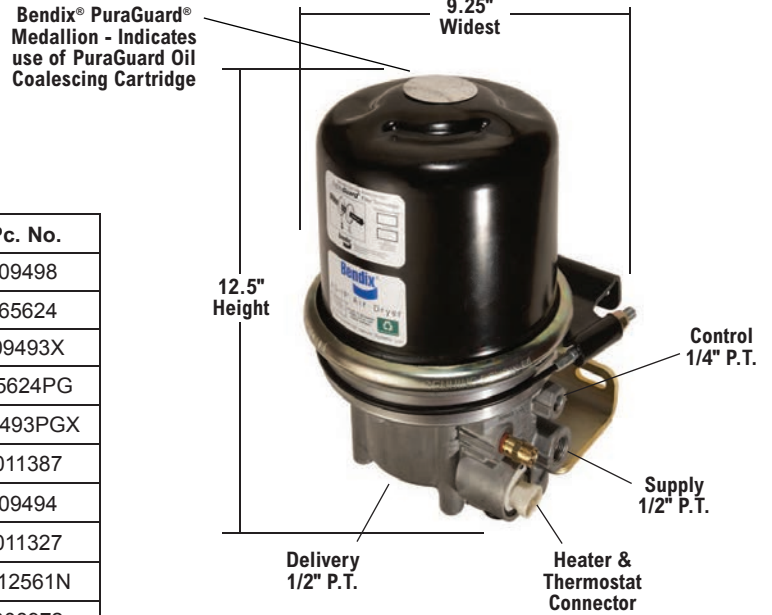
Pc. No. 113209
(Can be used to mount any Bendix® air dryer to vehicle)



Exhaust Cover Kit 5011327



Wire Harness Assembly
(Use Kit 109871N)



Bendix® AD-IP® master kit part no. K119758 consists of the following kits:	
Kit Pc. No.	Description
109495	Heater and Thermostat replacement kit
109494	Delivery port check valve replacement kit
K022105	Purge valve assembly replacement kit
109493PG	Bendix AD-IP PuraGuard desiccant cartridge kit



Bendix® AD-IP® Drop-In Air Dryer

Bendix® AD-IP® Drop-In Air Dryer

Service Pc. No.	Reman Pc. No.	Supply Port	Delivery Port	Heater & Thermo. Volts / Watt	Comments
800067	5000709X	1/2" PT	1/2" PT	12V / 90W	Notes 1, 2, 3

Notes:

1. All replacement air dryers include 5001247 (mounting bracket kit).
2. 12 & 24 volt air dryers are identified by connector color - White = 12v, Gray = 24v
3. Includes Drop-In Check Valve Kit

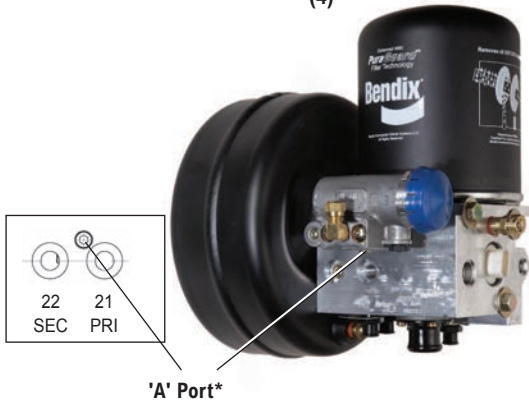
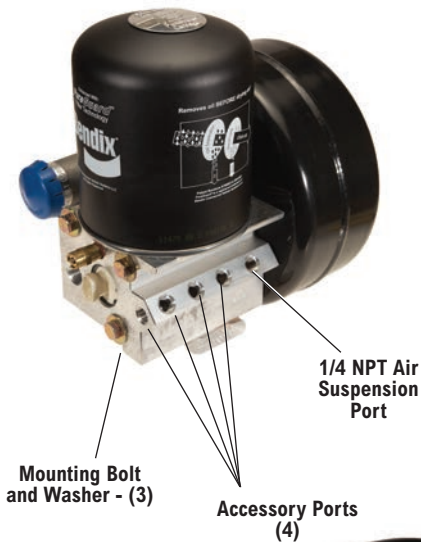
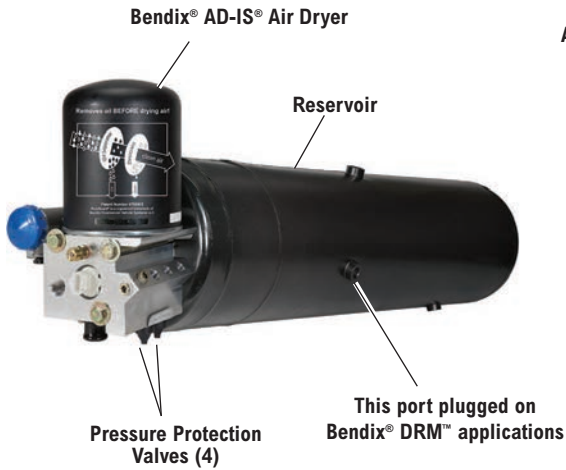
IMPORTANT: If the Bendix® PuraGuard® oil coalescing cartridge is replaced, it must be replaced with a like unit.

Bendix® AD-IS® Air Dryer

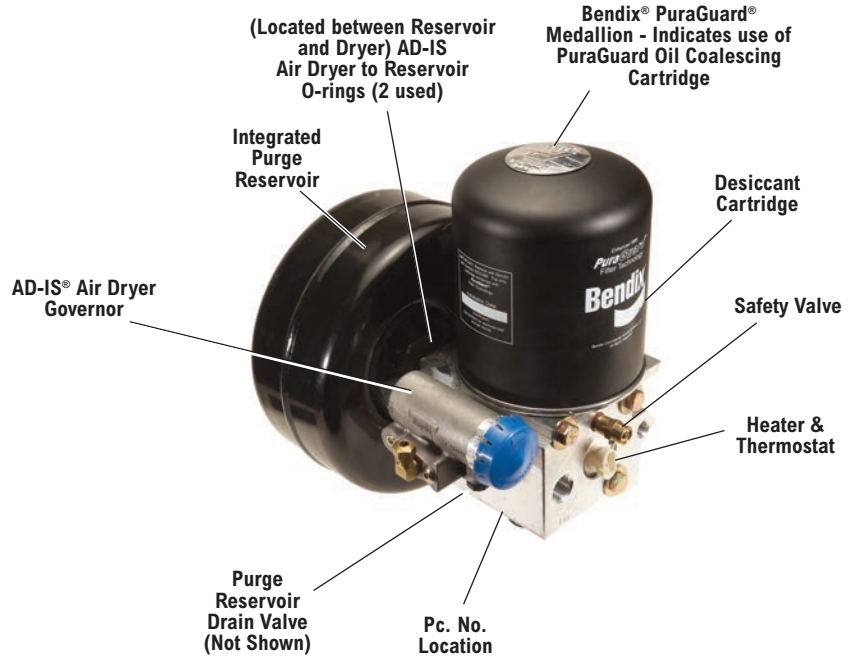
- Spin on cartridge

V.M.R.S. 13-010-033

i SD-08-2418



*Bendix AD-IS air dryers with a plugged port 'A' can not be interchanged with those that do not have a port in this location.



KITS AND SERVICE PARTS

Delivery Check Valve Replacement Kit	5004052
Desiccant Cartridge Replacement Kit	5008414
Integrated Bendix® PuraGuard® Coalescing Desiccant Cartridge Service New Kit	5008414PG
Drain Valve	5004961N
Governor	800361
Governor Adapter	5003698
Governor and Check Valve Replacement Kit	5004049
Governor Gasket	5007834
Heater & Thermostat Replacement (12 volt)	109495
Heater & Thermostat Replacement (24 volt)	109496
Mounting Bolt Kit	5009233
Protective Boots (for pressure protection valves)	5005163
Safety Valve	800350
Splash Shield Kit (includes bracket and cover)	5006698
Splash Shield Cover	5005266N
Silencer Kit	K021189
Wiring Harness & Splice Kit	109871N

Specialty Kits

Adapter Block and Check Valve Kit	5011033
Delivery Check Valve Kit for Adapter Block	5011034
Exhaust Cover Kit for Purge Valve	5011327
Governor (KB low range) and Check Valve Kit	5010935
Extended Purge Kit (converts a single AD-IS extended purge to a tandem AD-IS extended purge kit)	5018543

Notes:

1. For purge valve kits see the Bendix® AD-IS® and AD-IP® Air Dryer Purge Valve Maintenance Kits section of this catalog.
2. There are no kits available for the pressure protection valves. These are not serviceable items - see warning below.

Bendix® AD-IS® master kit part no. K119757 consists of the following kits:	
Kit	Description
109495	Heater and Thermostat replacement kit
5004052	Delivery check valve replacement kit
K022105	Purge valve assembly replacement kit
5008414PG	Bendix AD-IS PuraGuard desiccant cartridge kit



Pc. No. on AD-IS® Air Dryer (Ref.)	'A' Port*	Service Pc. No.	Reman Pc. No.	Primary Port	Primary Port Opening Pressure	Secondary Port	Secondary Port Opening Pressure	Accessory Ports Opening Pressure	Suspension Port Opening Pressure	Heater Voltage (90 Watt)	Comments
5005921 (Note 2)	—	800959	5008871X	1/2" PTC	103 psi	1/2" PTC	109 psi	55 psi	85psi	12	GMT560-C (obsolete)
5008296 (Note 2)	Plugged	801145	5010104X	1/4" NPT	106 psi	1/4" NPT	106 psi	106 psi	106 psi	24	Orion Bus
5008925 (Note 2)	—	—	5008871X	1/2" PTC	103 psi	1/2" PTC	109 psi	55 psi	85 psi	12	GMT560-T (obsolete)
5010134	Plugged	801147	5010133X	1/4" NPT	106 psi	1/4" NPT	106 psi	106 psi	106 psi	12	Generic 12V
5010135	Plugged	801147	5010133X	1/4" NPT	106 psi	1/4" NPT	106 psi	106 psi	106 psi	12	Generic 12V
5010212	Plugged	801164	5010211X	1/4" NPT	106 psi	1/4" NPT	106 psi	106 psi	106 psi	24	Generic 24V
5010213	Plugged	801164	5010211X	1/4" NPT	106 psi	1/4" NPT	106 psi	106 psi	106 psi	24	Generic 24V
5010694 (Note 1)	Plugged	801266	5010696X	1/4" NPT	103 psi	1/4" NPT	109 psi	109 psi	109 psi	12	Peterbilt
5010900	Plugged	810301	5010924X	1/4" NPT	103 psi	1/4" NPT	103 psi	103 psi	109 psi	12	DLU Operation
5015533	Plugged	801266	5010696X	1/4" NPT	103 psi	1/4" NPT	109 psi	109 psi	109 psi	12	Kenworth
5015534	Plugged	801266	5010696X	1/4" NPT	103 psi	1/4" NPT	109 psi	109 psi	109 psi	12	Kenworth
5016364 (Note 2)	Plugged	802191	—	1/4" NPT	106 psi	1/4" NPT	106 psi	106 psi	106 psi	12	International
5016420 (Note 2)	—	802174	5008871X	1/2" PTC	103 psi	1/2" PTC	109 psi	55 psi	85 psi	12	GMT560-C (obsolete)
5016421 (Note 2)	—	802174	5008871X	1/2" PTC	103 psi	1/2" PTC	109 psi	55 psi	85 psi	12	GMT560-T (obsolete)

Notes:

1. Contains three Accessory ports - all other Bendix® AD-IS® air dryers shown have 4 Accessory ports.
2. Bendix AD-IS® air dryer has 1/4" NPT auxiliary inlet port.

Bendix® AD-IS® and AD-IP® Air Dryer Purge Valve Maintenance Kits

Original Kit Piece Number	Description	Configuration / Installation	Replacement Kit Piece Number*	Purge Valve Type
800404	Purge Valve Assembly Kit for climate conditions above -40°C (-40°F)	Bendix® AD-IS® / AD-IP® Air Dryer	K022105	Hard Seat
		AD-IS / AD-IP EverFlow® Air Dryer Modules	K031560	Soft Seat
5017687	Arctic Purge Valve Assembly Kit for climate conditions between -40°C to -50°C (-40°F to -58°F)	AD-IS / AD-IP Air Dryer	K031559	Hard Seat
		AD-IS / AD-IP EverFlow Air Dryer Modules	K031561	Soft Seat
5009650	Purge Valve Assembly Kit for climate conditions above -40°C (-40°F)	Bendix® AD-IP® Air Dryer Discharge Line Unloader	K031562	
5017682	Arctic Purge Valve Assembly Kit for climate conditions between -40°C to -50°C (-40°F to -58°F)	AD-IP Air Dryer Discharge Line Unloader	K031563	
5003547	Purge Valve Maintenance Kit for climate conditions above -40°C (-40°F)	Purge valve maintenance kits will no longer be offered. Select the appropriate purge valve assembly kit from those shown above that best matches your application.		
5017683	Arctic Purge Valve Maintenance Kit for climate conditions between -40°C to -50°C (-40°F to -58°F)			

WARNING:

Do not attempt to adjust or service the Pressure Protection valves. Incorrect pressure protection valve settings can result in automatic application of vehicle spring brakes without prior warning.

IMPORTANT: If the Bendix® PuraGuard® oil coalescing cartridge is replaced, it must be replaced with a like unit.

Bendix® DRM™ Dryer Reservoir Module with Bendix® AD-IS® Air Dryer

SD-98-9808

Bendix® AD-IS® Air Dryer used on Bendix® DRM™ Dryer Reservoir Module

AD-IS® Service New Pc. No.	AD-IS® Reman. Exch. Pc. No.	Pc. No. on AD-IS® Air Dryer (Reference)	'A' Port* Plug	Suspension Port	Accessory Ports (Qty.)	Heater Voltage (90 Watt)
800383	5004050X	5003424	without	1/4" NPT	1/4" NPT (4)	12
800838	5008332X	5007593	without	1/4" PTC	1/4" NPT (3) 3/8" PTC (1)	12
801100	5009483X	5009232	without	1/4" NPT	1/4" NPT (4)	12
801330	5011075X	5011074	without	none	none	12

PTC = Push-to-Connect

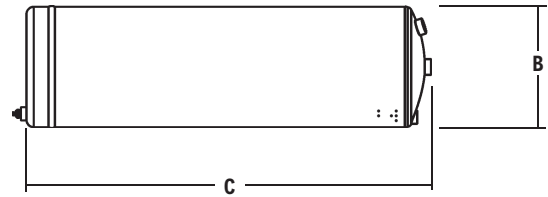
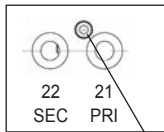


Figure 1

Bendix® PuraGuard® Medallion - Indicates use of PuraGuard Oil Coalescing Cartridge



'A' Port



Service and Remanufactured Bendix® AD-IS® air dryers do not include Bendix® DRM™ Reservoirs or Purge Volume Reservoirs.

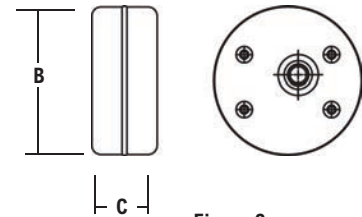


Figure 2

*Bendix® AD-IS® air dryers with a plugged port 'A' can not be interchanged with those that do not have a port in this location.

Reservoirs for Bendix® DRM™ Dryer Reservoir Module

Service New Pc. No.	'B' Dia.	'C' Length	Number of Compartments	Comments	Figure
5005313N	9"	53.5"	2	Steel	1
5009107N	9"	55.5"	2	Aluminum	1
5007588	9"	26"	3	Steel	1
5008939N	9"	29.8"	2	Steel	1
5009569N	12"	56.1"	3	Steel	1
5011548N**	9"	53.5"	3	Steel	1

**for use on vehicle with FreedomLine transmission & has an integral 610 in³ chamber

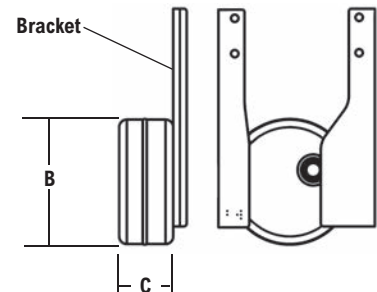


Figure 3

Purge Volume Reservoirs

Service New Pc. No.	'B' Dia.	'C' Length	Volume (Cubic Inches)	Mounting Bracket	Figure	Comments
5009028N	9"	6"	300	4 Hole SAE Mtg.	2	Extended Purge
5008574	9"	3.9"	200	4 Hole SAE Mtg.	2	Standard
5011292	9"	3.9"	200	Included	3	Standard

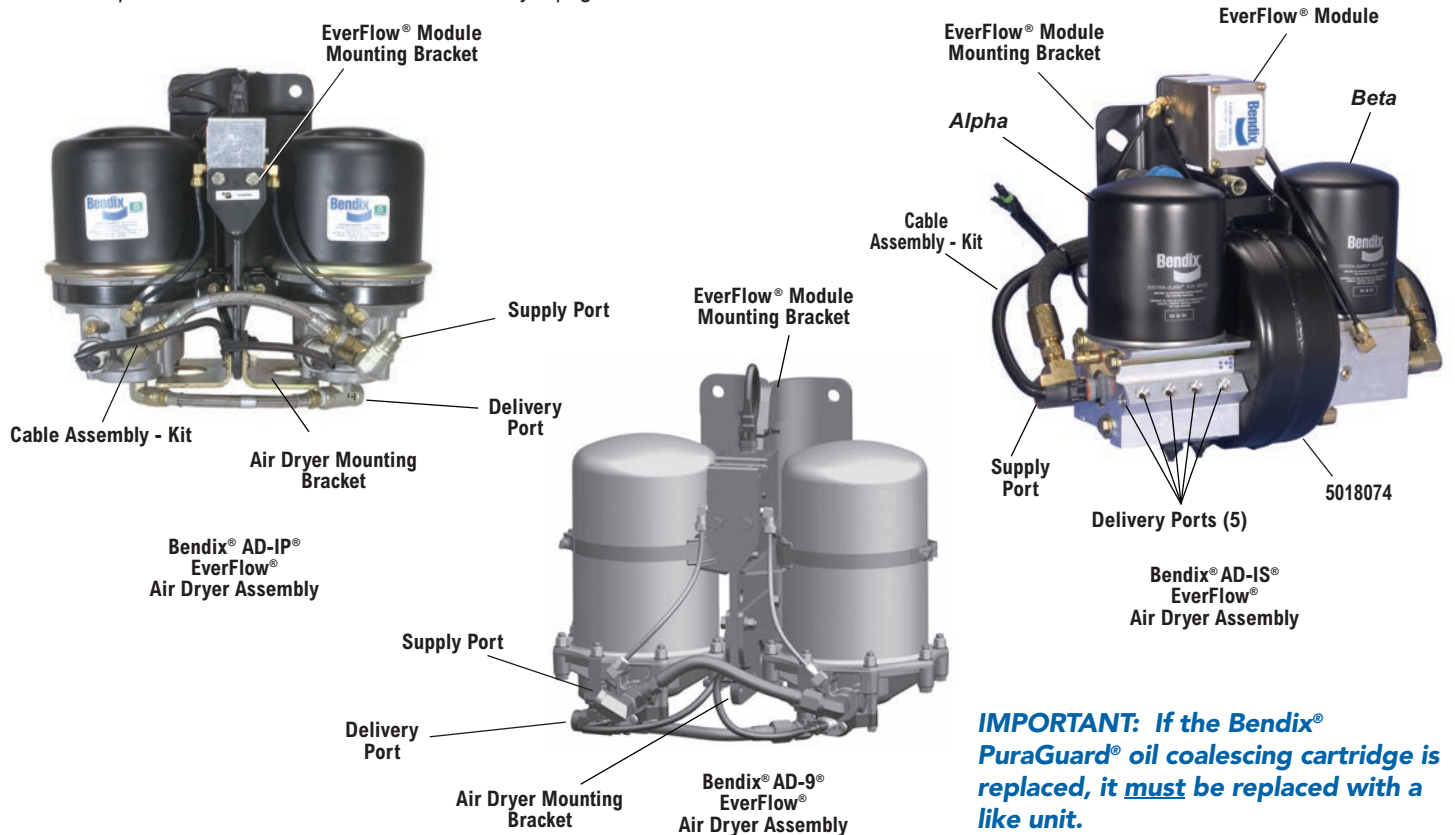
IMPORTANT: If the Bendix® PuraGuard® oil coalescing cartridge is replaced, it must be replaced with a like unit.

Bendix® EverFlow® Module Assembly

i SD-08-2417

Service New Assembly Pc. No.	Voltage	Air Dryer				Bendix® EverFlow® Module			Supply & Delivery Port Location
		Type	Service New Pc. No.	Reman. Exch. Pc. No.	Mounting Bracket	Module	Mounting Bracket	Cable Assembly Kit	
801032	12	AD-9®	065650	109689X	5009610	800685	5008483	5008484	Shown
801788	24		801803	—		800722			
800801	12	AD-IP®	065693	109503X	5001247	800685	5008483	5008484	Shown
801288	24		065613	109478X		800722			
802121	12	AD-IS®	802114 alpha	DNA	5017324	800685	Part of Dryer Bracket	5015949	Shown
802537			802115 beta						Opposite

For model specific service kits see the individual air dryer page.



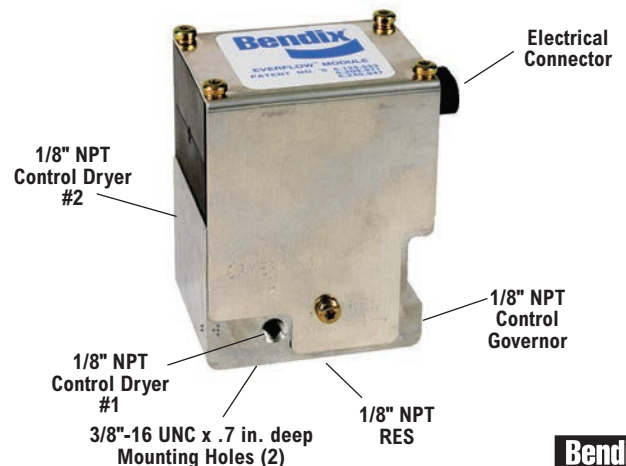
IMPORTANT: If the Bendix® PuraGuard® oil coalescing cartridge is replaced, it must be replaced with a like unit.

Bendix® EverFlow® Air Dryer Module

i SD-08-2417

Retrofit Kit* Service New Pc. No.	Service New Pc. No.	Voltage
800684	800685	12 V
800723	800722	24 V

*Includes EverFlow® module & hardware – does not include air dryers.





IMPORTANT: If the Bendix® PuraGuard® oil coalescing cartridge is the OE Standard it must be replaced with a like unit.

Vehicle Make/ Platform/Model	Engine	Bendix® Air Dryer	Type	Bendix® PuraGuard® Oil Coalescing Cartridge	
				OE Standard	OE Spec Option
FREIGHTLINER®					
Thomas Built Bus	Cummins® ISB6.7, ISC8.3, ISL9	AD-9® Air Dryer	Service New	—	107796PG
			Reman	—	107794PGX
		AD-IP® Air Dryer	Service New	—	065624PG
			Reman	—	109493PGX
FCCC	Cummins ISB6.7, ISC8.3, ISL9	AD-9 Air Dryer	Service New	—	107796PG
			Reman	—	107794PGX
Business Class® M2	Detroit™ DD13®, DD15®, DD16®	AD-IP Air Dryer	Service New	065624PG	—
			Reman	109493PGX	—
		DRM™ Dryer Reservoir Module	Service New	5008414PG	—
		AD-9si® Air Dryer	DD Service New	5008414PG	—
	Cummins ISB6.7, ISC8.3, ISL9	AD-IP Air Dryer	Service New	—	065624PG
			Reman	—	109493PGX
		DRM Dryer Reservoir Module	Service New	—	5008414PG
		AD-9si Air Dryer	Cummins Service New	—	5008414PG
Cascadia®	Detroit DD13, DD15, DD16	AD-9 Air Dryer	Service New	107796PG	—
			Reman	107794PGX	—
		AD-IP Air Dryer	Service New	065624PG	—
			Reman	109493PGX	—
	Cummins® ISX15	AD-9si Air Dryer	DD Service New	5008414PG	—
			AD-9 Air Dryer	Service New	—
		AD-IP Air Dryer	Reman	—	107794PGX
			Service New	—	065624PG
		AD-9si Air Dryer	Reman	—	109493PGX
			Cummins Service New	—	5008414PG
Coronado®	Detroit DD13	AD-SP® Air Dryer	Service New	5008414PG	—
			Service New	107796PG	—
		AD-9 Air Dryer	Reman	107794PGX	—
			Service New	5008414PG	—
WESTERN STAR®					
Western Star	Detroit DD13, DD15, DD16	AD-9 Air Dryer	Service New	107796PG	—
			Reman	107794PGX	—
		AD-IP Air Dryer	Service New	065624PG	—
			Reman	109493PGX	—
	DD Tier 3	AD-9s® Air Dryer	DD Service New	5008414PG	—
			AD-9 Air Dryer	Service New	107796PG
		AD-IP Air Dryer	Reman	107794PGX	—
			Service New	065624PG	—
		AD-9si Air Dryer	Reman	109493PGX	—
			DD Service New	5008414PG	—



Bendix® PuraGuard® Oil Coalescing Cartridge

Air Dryers 08

IMPORTANT: If the Bendix® PuraGuard® oil coalescing cartridge is the OE Standard it must be replaced with a like unit.

Vehicle Make/ Platform/Model	Engine	Bendix® Air Dryer	Type	Bendix® PuraGuard® Oil Coalescing Cartridge	
				OE Standard	OE Spec Option
WESTERN STAR® (Continued)					
Western Star	Cummins® ISC, ISL, ISX15	AD-9® Air Dryer	Service New	—	107796PG
			Reman	—	107794PGX
		AD-IP® Air Dryer	Service New	—	065624PG
			Reman	—	109493PGX
		AD-9si® Air Dryer	Cummins Service New	—	5008414PG
MACK®					
Refuse Mack® TerraPro™	Mack® MP8	AD-RP™ Air Dryer	Service New	5008414PG	—
CONSTRUCTION Mack® Granite® Series	Mack® MP7, MP8	AD-9 Air Dryer	Service New	107796PG	—
			Reman	107794PGX	—
		AD-IP Air Dryer	Service New	065624PG	—
			Reman	109493PGX	—
HIGHWAY Mack® Pinnacle™ Series	Mack MP7, MP8	AD-RP Air Dryer	Service New	5008414PG	—
			Service New	107796PG	—
		AD-9 Air Dryer	Reman	107794PGX	—
			Service New	065624PG	—
HEAVY HAUL Titan by Mack®	Mack® MP10	AD-IP Air Dryer	Reman	109493PGX	—
			Service New	107796PG	—
		AD-RP Air Dryer	Service New	5008414PG	—
			Reman	107794PGX	—
VOLVO®	Volvo® D11, D13	AD-9 Air Dryer	Service New	107796PG	—
			Reman	107794PGX	—
		AD-IP Air Dryer	Service New	065624PG	—
			Reman	109493PGX	—
VN 780, VN 730, VN 670, VN 630	Volvo® D11, D13, D16	AD-RP Air Dryer	Service New	5008414PG	—
VNL 430, VNM / VNL Daycab	Cummins ISX15	AD-9 Air Dryer	Service New	107796PG	—
			Reman	107794PGX	—
		AD-IP Air Dryer	Service New	065624PG	—
			Reman	109493PGX	—
KENWORTH®					
T680, T660, W900, T800, C500		AD-IS® EverFlow® Air Dryer	Service New	—	5008414PG
T470, T440, T370, T270, T170, K370		AD-SP® Air Dryer	Service New	—	5008414PG
		AD-IS® Air Dryer	Service New	—	5008414PG
T700		AD-IS® EverFlow® Air Dryer	Service New	—	5008414PG
		AD-IS® Air Dryer	Service New	—	5008414PG



IMPORTANT: If the Bendix® PuraGuard® oil coalescing cartridge is the OE Standard it must be replaced with a like unit.

Vehicle Make/ Platform/Model	Engine	Bendix® Air Dryer	Type	Bendix® PuraGuard® Oil Coalescing Cartridge	
				OE Standard	OE Spec Option
PETERBILT®					
Models 348, 365, 367, 382, 384, 386, 389, 579, 587		AD-IS® EverFlow® Air Dryer	Service New	—	5008414PG
		AD-IP® Air Dryer	Service New	—	065624PG
			Reman	—	109493PGX
Models 210, 220, 320, 325, 330, 337		AD-IP Air Dryer	Service New	—	065624PG
			Reman	—	109493PGX
		AD-IS Air Dryer	Service New	—	5008414PG
INTERNATIONAL®					
DuraStar® 4000	MaxxForce® 7/8/9/10/DT	AD-9® Air Dryer	Service New	—	107796PG
			Reman	—	107794PGX
		AD-IP Air Dryer	Service New	—	065624PG
			Reman	—	109493PGX
PayStar® 5000	MaxxForce® 11/13/15	AD-9 Air Dryer	Service New	—	107796PG
			Reman	—	107794PGX
		AD-IP Air Dryer	Service New	—	065624PG
			Reman	—	109493PGX
WorkStar® 7000	MaxxForce 9/10/11/13/DT	AD-IS® EverFlow® Air Dryer	Service New	—	5008414PG
			AD-9 Air Dryer	Service New	—
		Reman		—	107794PGX
		AD-IP Air Dryer	Service New	—	065624PG
			Reman	—	109493PGX
		TranStar® 8000	MaxxForce 11/13	AD-9 Air Dryer	Service New
Reman	—				107794PGX
AD-IP Air Dryer	Service New			—	065624PG
	Reman			—	109493PGX
9900 Series LoneStar® ProStar®	MaxxForce 11/13/15	AD-IS Air Dryer	Service New	—	5008414PG
		AD-IS® EverFlow® Air Dryer	Service New	—	5008414PG
IC BUS™ - CE (Conventional) IC BUS™ - FE (Front Engine) IC BUS™ - RE (Rear Engine)	MaxxForce 7/8/9/10/DT	AD-9 Air Dryer	Service New	—	107796PG
			Reman	—	107794PGX
		AD-IP Air Dryer	Service New	—	065624PG
			Reman	—	109493PGX
BD CHASSIS - HC (Blue Diamond)	MaxxForce 7/8/9/10/DT Cummins® ISB 6.71	AD-9 Air Dryer	Service New	—	107796PG
			Reman	—	107794PGX
		AD-IP Air Dryer	Service New	—	065624PG
			Reman	—	109493PGX

Bendix® PuraGuard® Oil Coalescing Cartridge piece numbers

Bendix® Air Dryer	PuraGuard® Service New	PuraGuard® Reman
AD-IS®, AD-SP®, AD-RP™	5008414PG	—
AD-IP®	065624PG	109493PGX
AD-9®	107796PG	107794PGX

Bendix® PuraGuard® oil coalescing air dryer identification

Current production air dryers with the Bendix® PuraGuard® oil coalescing filter have one, or more, of these identifiers.
(Early production may not include either of these and may only be identified by part number.)




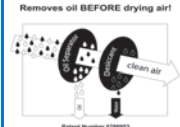
Bendix® AD-IS®, AD-SP® or AD-RP™ Air Dryer Cartridge



Bendix® AD-IP® Air Dryer Cartridge



Bendix® AD-9® Air Dryer Cartridge

 <p>Medallion - located on the top of the air dryer</p>	 <p>Label or imprint - located on the side of the air dryer cartridge</p>
---	---

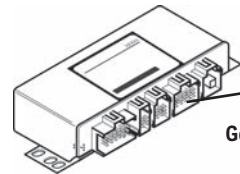
Bendix® EC-30™ Electronic Controller

i SD-13-4815

EC-30™ ECU



Connectors are black



Gen 4/5 ECU

Service New Pc. No.	Sensors/ Modulators	Traction Control	J1939 Dash Support	Customers Include (Comments)	Engine Communication
801167	4S/4M	Yes	Yes	International	J1939
801173	6S/4M	Yes	–	International	
801177	4S/4M	Yes	Yes	International	
801180	6S/4M	Yes	–	Freightliner / Mack	
801199	6S/4M	Yes	Yes	GMC	
801202	6S/4M	Yes	Yes	GMC	
801227	6S/4M	Yes	–	Volvo	
801228	6S/4M	Yes	–	–	
801239	6S/4M	Yes	–	Mack	
801233	6S/4M	Yes	–	Volvo (EC-16™ / EC-17™ ECU Service Replacement)	
801234	6S/4M	Yes	–	GMC (86 Tooth Tone Ring - EC-17™ ECU Service Replacement)	
801235	6S/4M	Yes	–	GMC (100 Tooth Tone Ring - EC-17™ ECU Service Replacement)	
801236	6S/4M	Yes	–	(EC-16™ / EC-17™ ECU Service Replacement)	
801335	6S/4M	Yes	–	–	
801205	4S/4M	–	–	GMC (100 Tooth Tone Ring)	
801206	4S/4M	–	–	GMC (86 Tooth Tone Ring)	

Gen 4/5 Electronic Control Unit (ECU)

i SD-13-4746

OE Pc. No.	Service New Pc. No.	Sensors/ Modulators	Traction Control	Engine Communication	Mounting	Comments
300130	801764	6S/6M	Yes	J1939	Frame	24 Volt
300199	801765	4S/4M	Yes	J1922		–
300208	801759	4S/4M	Yes	J1939		–
300345	801755	6S/6M	Yes			Configured as 6S/4M ABS ¹
300367	801756	4S/4M	Yes			–
300368, 5012926	801758	6S/6M	Yes			Configured as 6S/4M ABS ¹
5012608	801762	4S/4M	–	–		
300222	300222N	4S/4M	–	No	Cab	–
300342	801752					
300344, 5006806	801753	6S/6M	Yes	J1939		Configured as 6S/4M ABS ¹
5012582	801754	6S/6M	Yes			Use for a 6 x 2 vehicle with a tag axle

¹ ECU reconfiguration required for 6S/6M and/or Traction Control. The following tools can be used for reconfiguration: Bendix® ACom® Diagnostic Software (free download available from www.bendix.com), or Nexiq™ Pro-Link iQ™ application card (Nexiq p/n 804001).

NOTE: Gen 4/5 ECUs were formerly marketed under the Eaton® brand name.

Bendix® EC-60™ Advanced Cab ECU

All shown have traction control and communicate over J1587 and J1939.

i SD-13-4863

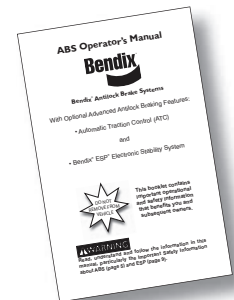


**Bendix® EC-60™
Advanced**

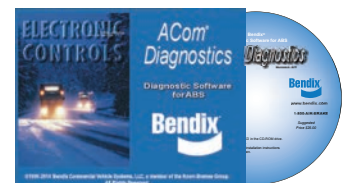
IMPORTANT

The vehicle VIN number must be specified when ordering Bendix® EC-60™ Advanced ECUs, since the ECU is individually configured for the vehicle.

Customer	OE Pc. No.	Service New Pc. No.	Stability Configuration	Sensors/ Modulators	Supply Voltage	PLC
Volvo, Mack	802780	K094249*	Electronic Stability Program (ESP)	4S/4M	12	Yes
	5018531					
	K022161					
	K031692					
	K040157					
	K070746					
	K094246					
—	801905	K060080	Electronic Stability Program (ESP)	4S/4M	12	Yes
	803082					
	5012231					
	5019416					
	K023054					
	K038368					
	K039393					
International	803146	K060080	Electronic Stability Program (ESP)	4S/4M	12	Yes
	5016144					
	5020080					
	K033963					
	K033964					
	K034014					
	K040122					
PACCAR	K021136	K065143	Roll Stability Program (RSP)	4S/4M	12	Yes
	K021415					
	K021416					
	K024560					
	K025766					
	K025780					
	K041759					
International	802054	K065143	Roll Stability Program (RSP)	4S/4M	12	Yes
	803147					
	5015578					
	5020081					
	K033968					
	K033969					
	K034015					
	K040121					
K041711						



Bendix® Antilock Brake Systems Operator's Manual BW2489 (ESP) and BW2499 (RSP) available on www.bendix.com



Bendix® ACom® Diagnostic Software visit www.bendix.com

*Aftermarket part number K094249 for Volvo & Mack ESP configured vehicles is only available through a Volvo or Mack dealer.

Note: It is recommended that the part number being replaced is verified and cross-referenced to the aftermarket replacement number from the part itself or read back through the OEM's service tool or Bendix® ACom® diagnostics.

Bendix® EC-60™ Standard Cab ECU

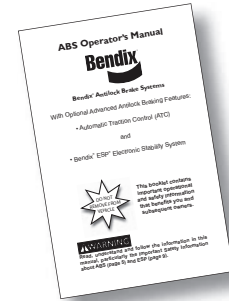
All shown communicate over J1587 and J1939

i SD-13-4863

Customer	OE Pc. No.	Service New Pc. No.	Sensors/ Modulators	Supply Voltage	PLC	Notes
—	801876	K058637				
	801877					
	5012226					
	K038358					
	K038360					
	K039381					
PACCAR	K021134					
	K021414					
	K041767					
International	802130	K065137	4S/4M	12	Yes	PLC operation for International
	5016139					
	K040114					
	K041718					
International	802136	K065135				Configured for J1939 control of ABS warning lamp
	802325					
	5016145					
	5016357					
	K020367					
	K020368					
	K020833					
	K020834					
	K040115					
	K040116					
K041720						



Bendix® EC-60™ ECU Standard (Cab)



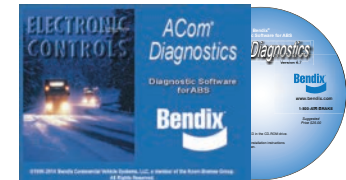
Bendix® Antilock Brake Systems Operator's Manual BW2489 (ESP) and BW2499 (RSP) available on www.bendix.com

Bendix® EC-60™ Standard Frame ECU

All shown communicate over J1587 and J1939

i SD-13-4863

Customer	OE Pc. No.	Service New Pc. No.	Sensors/ Modulators	Supply Voltage	PLC	Notes
—	801879	K058645	4S/4M	12	Yes	
	802131					
	5012228					
	5016140					
	5020281					
	K020841					
	K038362					
	K038363					
	K039532					
K040077						
International	802132	K065141				PLC operation for International
	5016141					
	K020369					
	K041714					
	K020832					
K040078						
GM	5015991	802831			No	Includes mounting bracket; retarder disable via relay
	5018131	802833				



Bendix® ACom® Diagnostic Software visit www.bendix.com



Bendix® EC-60™ ECU Standard (Frame) Service Replacement Cover 300271

Note: It is recommended that the part number being replaced is verified and cross-referenced to the aftermarket replacement number from the part itself or read back through the OEM's service tool or Bendix® ACom® diagnostics.

Bendix® EC-60™ Premium Cab ECU

All shown are traction control capable and communicate over J1587 and J1939.

i SD-13-4863



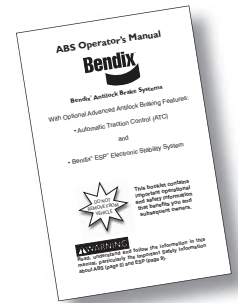
Bendix® EC-60™ Premium (Cab)

Customer	OE Pc. No.	Service New Pc. No.	Sensors/ Modulators	Supply Voltage	PLC	Notes
-	801880	K058703				
	803167					
	5012229					
	5013147					
	5013148					
	5020000					
	K039698					
PACCAR	K021135	K060104				Configured to receive J1939 signals for ABS and ATC switches from PACCAR vehicles
	K021412					
	K041761					
	K041775					
	K048751					
International	802133	K065134	4S/4M	12	Yes	Configured for J1939 control of ABS warning lamp
	803168					
	5016142					
	5020001					
	K040117					
	K041721					
	802324	K065133				PLC operation for International
	5016356					
	K022285					
	K022568					
K040118						
K041722						
Volvo, Mack	802781	K060325				J1939 and J1587 messages configured per Volvo/Mack requirements
	5018530					
	5018581					
	K019671					
	K034397					
K034569						
-	801882	K058704		24	No	
	5012251					
	K038365					
	K039712					

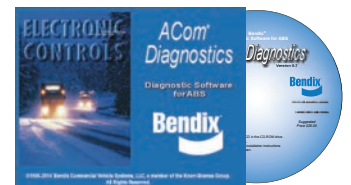
Notes:

- It is recommended that the part number being replaced is verified and cross-referenced to the aftermarket replacement number from the part itself or read back through the OEM's service tool or Bendix® ACom® diagnostics.

- Premium ECUs may be modified by the OEMs during installation. The part may require re-configuration using the OEM's service tool or Bendix® ACom® diagnostics.



Bendix® Antilock Brake Systems Operator's Manual BW2489 (ESP) and BW2499 (RSP) available on www.bendix.com



Bendix® ACom® Diagnostic Software visit www.bendix.com

Bendix® EC-60™ Premium Frame ECU

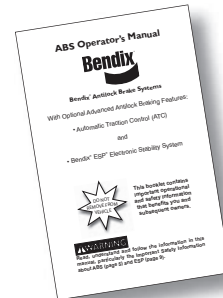
All shown have traction control and communicate over J1587 and J1939.

SD-13-4863

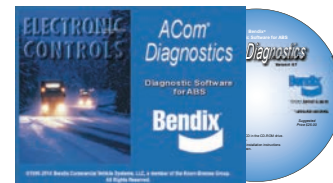


Bendix® EC-60™ Premium (Frame)

Customer	OE Pc. No.	Service New Pc. No.	Sensors/ Modulators	Supply Voltage	PLC	Notes
—	801881	K058712	4S/4M	12	Yes	
	5012230					
	5013149					
	5013150					
	5020008					
	K019237					
	K038366					
	K039622					
International	802134	K065140				PLC operation for International
	5016143					
	K020822					
	K041715					
	K020823					
	K040079					
Oshkosh	K038367	K058714	6S/4M	24	No	
	K058714					



Bendix® Antilock Brake Systems Operator's Manual BW2489 (ESP) and BW2499 (RSP) available on www.bendix.com



Bendix® ACom® Diagnostic Software visit www.bendix.com

Bendix® eTrac™ Automated Air Pressure Transfer System

Automated air bag transfer system.

SD-13-21021

Bendix® eTrac™ Contents	
Service Pc. No.	Bendix® Component
—	Bendix ABS Controller
K082319	FCS-9700™ Solenoid Valve
K035170	R-12® Relay Valve
K082298	RV-3™ Pressure Reducing Valve
101845	
278614	Double Check Valve

R-12® Relay Valve



Bendix® brand ABS controller (Premium or Advanced EC-60 designation or later)



RV-3™ Pressure Reducing Valve



Bendix® DC-4® Double Check Valve



RV-3™ Pressure Reducing Valve

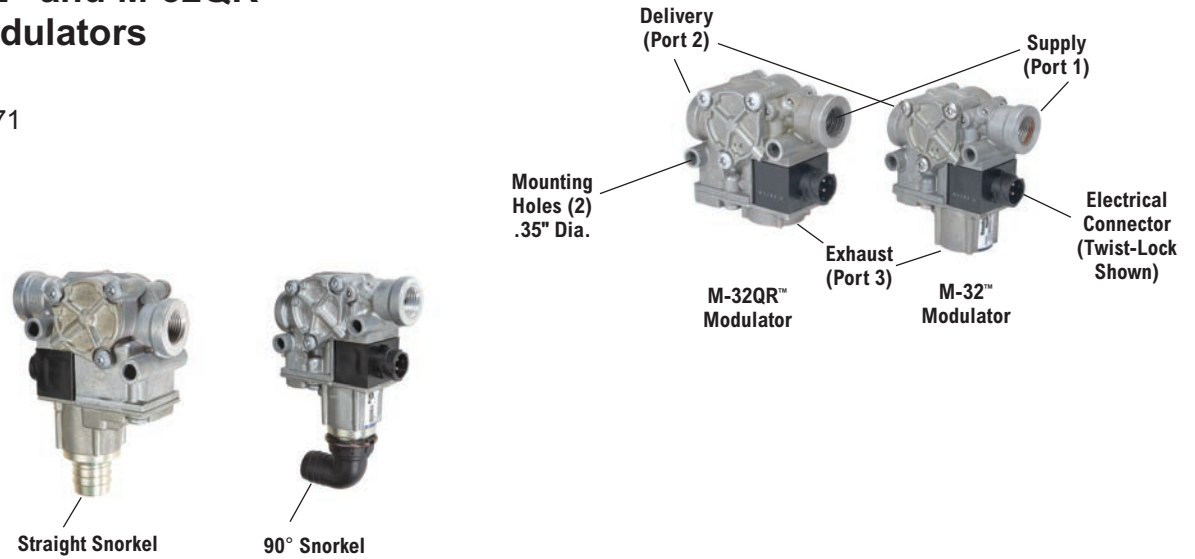


FCS-9700™ Solenoid Valve

Bendix® M-32™ and M-32QR™ AntiLock Modulators

V.M.R.S. 13-011-071

i SD-13-4870



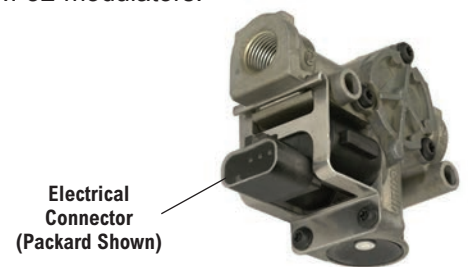
OE Pc. No.	Service New Pc. No.	Description	Exhaust Adapter	Supply Port	Delivery Port	Electrical Connector Type	Supply Voltage	Customers Include
300387	801665	M-32™ Modulator	-	1/2" NPT	1/2" NPT	Twist-Lock	12	Volvo®, Mack®, Peterbilt®, Kenworth®
5014706	801585		-	1/2" NPT	1/2" NPT	Packard		International®
5016334	801456		-	5/8" PTC	1/2" STC			GM®
5013223	801736		Straight snorkel	1/2" NPT	1/2" NPT	Metric Thread	24	Oshkosh®
5013224	801737		90° snorkel			Twist-Lock		-
5015514	802697	-	-	-	-	-	-	
5012961	801583	M-32QR™ Modulator	-	1/2" NPT	1/2" PTC	Packard	12	GM
5016344	801457		-	1/2" NPT	1/2" STC			International
5014705	801481		-	1/2" NPT	1/2" NPT			
5014704	801479		-	1/2" PTC	1/2" PTC			-
5011281	801482		-	1/2" NPT	1/2" NPT	Twist-Lock		
5019258	802888		-		1/2" PTC			-

PTC = Push-To-Connect NPT = Pipe Thread STC = Snap-to-Connect

Bendix® M-30™ to M-32™ and M-32QR™ AntiLock Modulator Changeover

- M-30™ antilock modulators are no longer available. M-32™ and M-32QR™ modulators are available for service.
- When replacing the M-30 modulators on the steer axle, replace both with M-32 modulators.

M-30™ Pc. No.	M-32™ Service New Pc. No.	M-30™ Pc. No.	M-32™ Service New Pc. No.
5005894	801481	5009304	801481
5005895	801479	5009305	801583
5006659	801481	5009306	801583
5008951	801481	5009308	801457
5009085	801456	5009309	801457
5009086	801456		

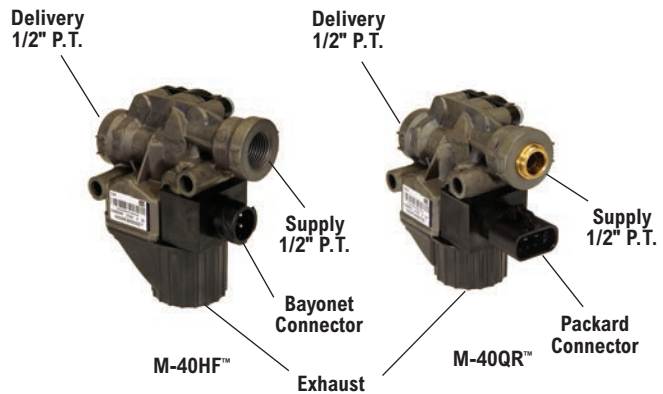


Bendix® M-30™ Modulator (Superseded by the M-32™ and M-32QR™ modulators)

Bendix® M-40™ AntiLock Modulators

V.M.R.S. 13-011-071

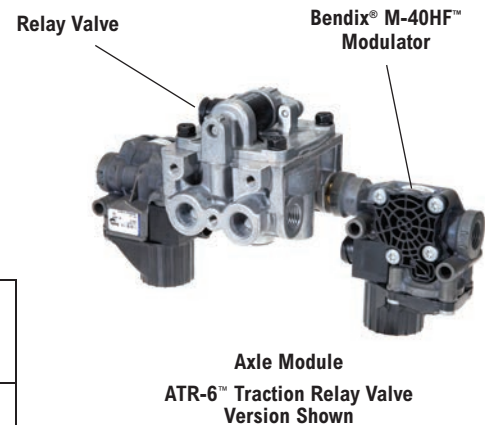
i SD-13-4958



Reman. Exchange Pc. No.	Modulator Type	Exhaust Adapter	Supply Port	Delivery Port	Electrical Connector Type	Supply Voltage
K079666	M-40HF™	—	1/2" NPT	1/2" NPT	Packard	12V
K079681		Silencer Adapter				
K079665		—				
K079678		Silencer Adapter			Twist-Lock	
K079672		—				
K079677		Silencer Adapter				
K079670	M-40QR™	—	1/2" NPT	1/2" NPT	Packard	12V
K079676		Silencer Adapter				
K079671		—	1/2" PTC	1/2" PTC		
K079683		Silencer Adapter	Twist-Lock			
K079664		—				
K107922		Silencer Adapter				

Axle Modules

Axle Module service assemblies are not available as a complete assembly. Service with individual components as needed.



OE Axle Module Pc. No.	Service Replacement Valve (Relay, Quick Release or Traction Relay)		Bendix® M-40HF™ Modulator Pc. No.
	Pc. No.	Description	
K105561	K078420	Bendix® ATR-6™ Traction Relay Valve (5.5 psi)	K079665
K105562			
K105563	803116	Bendix® R-12® Relay Valve (5.5 psi)	
K105761	803115		
K105762			
K105766	K070951	ATR-6 Traction Relay Valve (5.5 psi)	
K105770	K078219	ATR-6 Traction Relay Valve (4.0 psi)	
K105771	803117		

Axle Modules

Axle Module service assemblies are not available as a complete assembly. Service with individual components as needed.

OE Axle Module Pc. No.	Figure No.	Service Replacement Valve (Relay, Quick Release or Traction Relay)		Bendix® M-32™ Modulator Service Replacement Pc. No. (Typically 2 are required)				
		Pc. No.	Description					
5015283	1	801629	Bendix® R-14® Relay Valve (4.0 psi)	801665				
5017276								
5011782								
5017071								
5011740								
5020024								
K034765								
K034767								
K034768								
K034778								
5020567	1	K070951	Bendix® ATR-3™ Traction Relay Valve (5.5 psi)	801665				
5015631								
5019619								
Not shown					n/a	n/a	802888	
5019619					2	229859N	QR-1® Quick Release Valve	802697

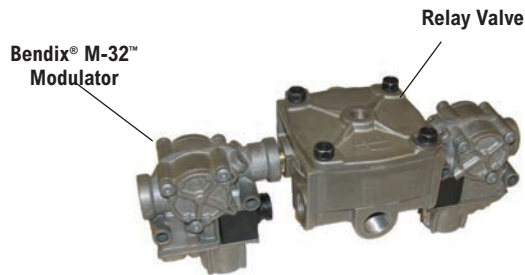


Figure 1
Axle Module
R-12° Relay Valve Version Shown
 (R-14®, ATR-3™ and ATR-6™ are similar)

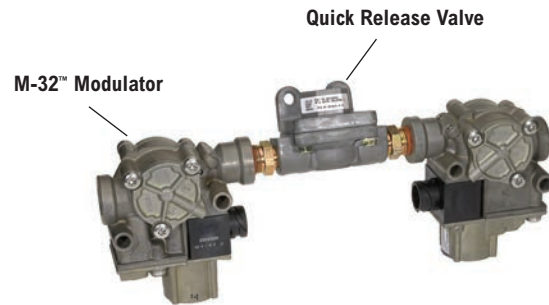


Figure 2
Axle Module
Quick Release Valve Version

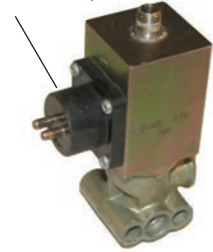
Bendix® AT-3™ Traction Valves

OE Pc. No.	Service Replacement Valve		Supply Voltage	Customers
	Pc. No.	Electrical Connector		
300128	801936	Metric Thread	24	Oshkosh®
300354	801931	Twist-Lock	12	Mack®, Volvo®, Kenworth®, Peterbilt®
K025064				Navistar®
K036918	K037085		24	—

Electrical Connector (Twist-Lock Shown)



Electrical Connector (Metric Thread Shown)

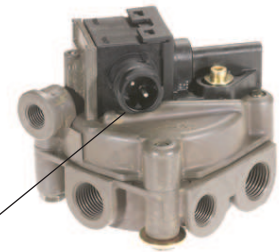


Bendix® AT-3™ Traction Valve

Bendix® ATR-3™ Traction Relay Valve

ATR-3™ OE Pc. No.	ATR-3™ Service New Pc. No.	ATR-6™ Service New Pc. No.	Crack Pressure PSI	Supply Voltage	Customers
5014494	—	K078219	4.0	12V	
5014497	—	K070974			Volvo®
5018362	802749	—			Volvo
300317	—	K070951	5.5	24V	
5014495	—	K070954			
5015755	—	K070954			Kenworth®
K002569	K019736	—	4.0	24V	

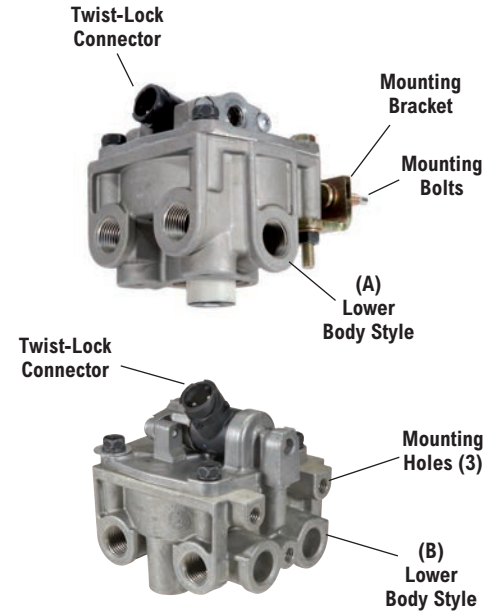
Twist-Lock Connector



Bendix® ATR-3™ Traction Relay Valve

Bendix® ATR-6™ Traction Relay Valve

OE Pc. No.	Service New Pc. No.	Crack Pressure PSI	Exhaust Port	Lower Body Style	Mounting Bracket Included	Supply Voltage	Customers
5020201	K078219	4.0	—	B	No	12V	Volvo
K070684			—		Yes		
5019764	—		A				
K040733	1/2-14 NPT			Yes			
K041063	Silencer		A				
K025600	K070962			—	B		No
K035538			—	A			
K070693					B		Yes
K070695			K070951	5.5			
5020205	5.5			B	Yes		
K033317	5.5	B					
K033319	K070954		5.5	B	Yes		



Bendix® ATR-6™ Traction Relay Valve

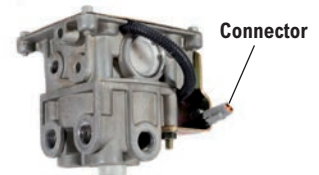


Exhaust Silencer

Bendix® ATR-1™ to ATR-6™ Traction Relay Valve Changeover

• ATR-1™ traction relay valves are no longer available. The ATR-6™ traction relay valves and retrofit kits are available for service.

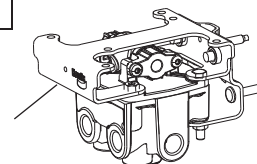
ATR-1™ Valve Pc. No.	ATR-6™ Valve Service New Pc. No.*	Crack Pressure PSI	Mounting Bracket	ATR-1™ Valve Connector Type	Harness Service Pc. No.	Supply Voltage
065516	K072345	4.0	See Bracket A	DT04-2P	K032114	12V
800030	K072339		5/16" x 1.35"			
5003921			5/16" x 1.35"	DTM06-2S-E007	K032115	
800818	K072311		5/16" x 1.35"			
5008259			801127	M8 x .95"		
5009773	K072318					



ATR-1™ Traction Relay Valve



Harness Pc. No. K032114



A Mounting Bracket



Harness Pc. No. K032115

*All the ATR-6™ traction relay valves have a twist-lock connector type; the replacement part numbers include a harness adapter.

Bendix® MC-30™ Trailer ABS Modules

- The MC-30™ Trailer ABS Modules are no longer available.
- Bendix® TABS-6™ kits are available for service.

i [SD-13-4834](#)

See PNU-161 for MC-30 module piece numbers.



**Bendix® MC-30™
Trailer ABS**

Pigtail Length	Bendix® TABS-6™ Service Replacement Pc. Nos. (Includes Harnesses)				
	2S/1M - Axle	2S/1M - Dolly	2S/2M - Side	4S/2M - Side*	4S/2M - Axle*
60"	802893	802951	K060601	K060602	K061025
234"	802902	—	K061023	K061024	K061026

*For 4S/2M (4 sensor / 2 modulator) systems, to determine if the ABS assembly is used to control an "axle-control" or "side-control" system, trace the delivery hoses from one of the modulators to see if the actuators controlled are on the same side of the vehicle (a 4S/2M side system), or at both ends of an axle (4S/2M axle system).



**Bendix® TABS-6™
Trailer ABS**

Bendix® A-18™ Trailer ABS Modules

- The A-18™ Trailer ABS Modules are no longer available.
- Bendix® TABS-6™ kits are available for service.

i [SD-13-4757](#)

See PNU-109 for additional A-18 module piece numbers.



**Bendix® A-18™
Trailer ABS**

Pigtail Length	Bendix® TABS-6™ Service Replacement Pc. Nos. (Includes Harnesses)		
	2S/1M - Axle	2S/2M - Side	4S/2M - Side
60"	K019708	K019709	K019710
234"	K019711	K019712	K019713



**Bendix® TABS-6™
Trailer ABS**

Bendix® MC-12™ Trailer ABS Modules

- The MC-12™ Trailer ABS Modules are no longer available. Bendix® TABS-6™ kits are available for service.
- The MC-12 was only available in 2S/1M configurations.

i [SD-13-4762](#)

See PNU-110 for MC-12 module piece numbers.



**Bendix® MC-12™
Trailer ABS**

Description	Bendix® TABS-6™ Service Replacement Pc. Nos. (Includes Harnesses)				
	With 60" 5-pin ABS Pigtail	With 234" 5-pin ABS Pigtail	With 18" 4-pin ABS Pigtail	With 96" 4-pin ABS Pigtail	With 180" 3-pin ABS Pigtail
MC-12 ABS Assembly for Trailers	802893	802902	802900	802898	802896
MCE-12 ABS Assembly for Dollies	802894	802901	802899	802897	802895



**Bendix® TABS-6™
Trailer ABS**

Bendix® EC-80™ ABS, ATC and ESP® Controllers

i SD-13-4983 (ABS and ATC Controllers)

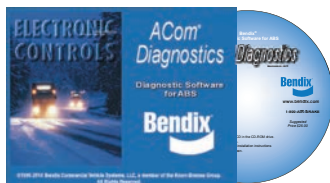
i SD-13-4983 (ESP Controller)

Type of ECU	Image	Bendix Part Number	OE	OE Part Number	Reman ECU Part Number	
					Standard	6x2 tractors without Bendix® eTrac™ System
Bendix® ABS EC-80™ Controller		K097435R000	Blue Bird	10036250	K114398N000X	-
		K105299R000	Mack	22362086	K115125N000X	
		K105300R000		22362088	K115125N000X	
		K103425R000	Navistar	4045848C1	K115809N000X	
		K103426R000		4045849C1	K115809N000X	
		K098915R000	PACCAR	Q27-6073-101	K114398N000X	
		K105299R000	Volvo	22362086	K115125N000X	
		K105300R000		22362088	K115125N000X	

Bendix® ATC EC-80™ Controller		K070253R000	Blue Bird	10036251	K114399N000X	-
		K105302R000	Mack	22362261	K115126N000X	
		K103427R000	Navistar	4045850C1	K115811N000X	
		K103474R000		4045851C1	K115810N000X	
		K098916R000	PACCAR	Q27-6073-201	K114425N000X	K114427N000X
		K098917R000		Q27-6073-202	K114426N000X	K114428N000X
		K098918R000		Q27-6073-203	K114401N000X	-
		K098919R000		Q27-6073-204	K114402N000X	
		K105302R000	Volvo	22362261	K115126N000X	

Bendix® ESP® EC-80™ Controller		K105303R000	Mack	22362264	K115127N000X	-
		K103428R000	Navistar	4045852C1	K119760N00X	
		K103429R000		4045853C1	K114403N000X	
		K105094R000	PACCAR	Q27-6073-305	K114403N000X	
		K105095R000		Q27-6073-306	K114404N000X	
		K105096R000		Q27-6073-307	K114405N000X	
		K105097R000		Q27-6073-308	K114406N000X	
		K105303R000	Volvo	22362264	K115127N000X	

Note: Remanufactured Bendix® ESP® EC-80™ Controllers are made-to-order and only available through an authorized dealer. The vehicle VIN is required in order to properly process the order. These parts cannot be stocked, direct ship only.



Bendix® ACom® Diagnostic Software
visit www.bendix.com



Use p/n K101596N001.
The previous versions (801869 and K101596) do not support this family of devices.



YOU DIDN'T HAVE TO SETTLE FOR A KNOCKOFF PART.

You could've used genuine Bendix® parts. When you buy knockoff parts without the genuine Bendix name and logo, you're taking serious risks. And a breakdown like this is far from a worst-case scenario. Genuine Bendix parts are rigorously tested and backed by the best warranties and customer service in the business. Our parts are the industry standard for active safety and braking system technologies. From air compressors to air dryers and valves, from wheel-end solutions to electronics and energy management systems, North America's leading OE manufacturers choose genuine Bendix products. So don't be fooled by risky knockoffs and look-alikes. They can deliver poor performance, lead to breakdowns, and compromise safety. Demand genuine Bendix parts. You can't afford anything less.



1-800-AIR-BRAKE
www.bendix.com

Bendix® TABS-6™ Trailer ABS Module

- All TABS-6™ Trailer ABS Modules communicate over PLC and have a 4 port relay.

i SD-13-4767

OE Pc. No.	Service New Pc. No.	Crack Pressure	Default Configuration	Auto-Configurable To:	J1587 Direct Wires Available
5014015	K109808	4.5 psi	2S/1M	None	No
K109807				4S/2M - Axle	Yes
5014113	801991	3.0 psi	2S/1M - Dolly	None	No
K107308	K108566	4.5 psi		2S/2M - Side; 4S/2M - Side; 4S/3M - Side/Axle	Yes
5014112	K109812	4.5 psi		None	No
K109809	801856	3.0 psi	2S/1M - Dolly	None	No
5014016	K108565	4.5 psi		2S/2M - Side; 4S/2M - Side; 4S/3M - Side/Axle	Yes

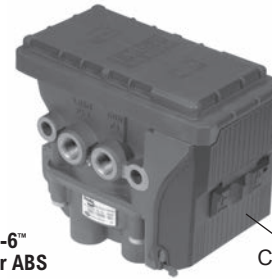


Bendix® TABS-6™ Trailer ABS

Bendix® TABS-6™ Advanced Trailer ABS with Stability Control Module

- User is required to verify proper configuration with Bendix and perform installation test using ACom® diagnostic software.
- All TABS-6™ Advanced modules are 2S/1M; have a 4 port relay and may be nipple mounted to a reservoir.

i SD-13-47671



Bendix® TABS-6™ Advanced Trailer ABS

Cover Pc. No. 802028

OE Pc. No.	Service New Pc. No.	Description	Default Configuration					PLC	CAN Available
			Axle Spacing (inches)	Mounting Orientation (degrees)	Offset (inches) - side	Air Suspension Empty	Air Suspension Loaded		
K029053	K029141	TABS-6™ Advanced	49"	270°	10" curb	13 psi @ 8k	82 psi @ 34k	Yes	Yes
K041383	K041385	TABS-6 Advanced	49"	90°	0"	14 psi @ 9k	83 psi @ 34k		
K027233	K028577	TABS-6 Advanced	49"	270°	10" curb	11 psi @ 8k	69 psi @ 34k		

Bendix® TABS-6™ Advanced Multi-Channel Trailer ABS with Stability Control Module

- User is required to verify proper configuration with Bendix and perform installation test using ACom® diagnostic software.
- All TABS-6™ Advanced Multi-Channel modules have 6 delivery ports and must be frame mounted.

i SD-13-47672

Cover Pc. No. K048189



Bendix® TABS-6™ Advanced Multi-Channel Trailer ABS

OE Pc. No.	Service New Pc. No.	Description	Configuration	Default Configuration					PLC	CAN Available
				Axle Spacing (inches)	Mounting Orientation (degrees)	Offset - side (inches)	Air Suspension Empty	Air Suspension Loaded		
K026500	K028522	TABS-6™ Advanced MC	4S/2M - Side	49"	0°	0"	9 psi @ 7k	70 psi @ 34k	Yes	Yes
K028920	K028974	TABS-6 Advanced MC	4S/2M - Side	121"	0°	0"	9 psi @ 7k	82 psi @ 40k		

Bendix® BR9235™ ABS Modulator/Relay Valve

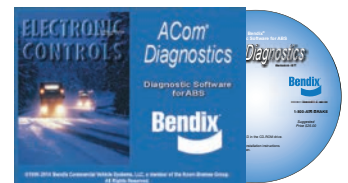
OE Pc. No.	Service New Pc. No.	Bracket Included	Supply	Delivery (4 ports)	Crack Pressure
5012023	801993	No	3/4" NPT	3/8" NPT	3.0 psi
5012024	801994	Yes			
K091056	K112192	No			
K112173	K112193	Yes			4.5 psi


**Bendix® BR9235™
ABS Modulator/
Relay Valve**
Bendix® TABS-6™ Harnesses and Cables

OE Pc. No.	Service New Pc. No.	Description	Length
300258	802025	Bendix® WS-24™ Wheel Speed Sensor Extension	80"
5015531	802052		60"
5019464	802946		260"
5015014	801996	ECU Pigtail - Standard 2S/1M	Power - 60"
5015016	801998		Power - 234"
5015018	802000	ECU Pigtail - Advanced or Premium 2S/1M	Power - 9", Diagnostic - 9"
K022146	K025647	ECU Pigtail - Advanced MC 4S/2M or 2S/2M	Power - 9"
K025593	K025621	Advanced MC - CAN diagnostic	Diagnostic - 9"
5015019	802001	ECU Pigtail - Premium 2S/1M	Power - 60", Diagnostic - 9"
5015021	802003		Power - 234", Diagnostic - 9"
5015023	802005	ECU Pigtail - Premium 2S/2M	Power - 60", Modulator - 36", Diagnostic - 9"
5015025	802007		Power - 234", Modulator - 36", Diagnostic - 9"
5015027	802009	ECU Pigtail - Premium 4S/2M	Power - 60", Modulator - 36", Sensors - 60", Diagnostic - 9"
5015029	802011		Power - 234", Modulator - 36", Sensors - 60", Diagnostic - 9"
5013352	802016	Trailer Power Harness	120" 5-pin Packard, Non-Terminated Warning Lamp - 10"
5013353	802017		780" 5-pin Packard, Non-Terminated Warning Lamp - 10"
5013343	802018	BR9235™ Remote Modulator Harness	36"
5019463	802947		280"
5007833	800790	J1587 / J1708 Remote Diagnostic Harness	120"
5009193			

Bendix® TABS-6™ Service Replacement Components

Service New Pc. No.	Description
802028	TABS-6™ Standard / Premium / Advanced connector cover
K048189	TABS-6™ Advanced MC connector cover
K016644	TABS-6™ Standard connector lever
801924	TABS-6™ Standard / Premium / Advanced control line filter
K040542	TABS-6™ Advanced 12-pin connector plug
K048190	TABS-6™ Advanced MC silencer


**Bendix® ACom® Diagnostic Software
visit www.bendix.com**

WS-24™ Wheel Speed Sensors

i SD-13-4860



0° (Straight)
Bendix® WS-24™ Wheel Speed Sensors

90°
Bendix® WS-24™ Wheel Speed Sensors

OE Pc. No.	Service New Pc. No.	Body Style	Harness Length	Connector Type	Customers Include
300083	801544	90°	12"	DIN	Trailer OEMs
K028296	K029519	Straight			
300084	801538	90°	75"		Peterbilt®, Kenworth®
300087	801542	Straight	78"		Kenworth, Mack®
300150	801541	90°	63"		Volvo®, Blue Bird®
300151	801543	Straight	66"		Peterbilt, Kenworth, Volvo
K034750	K034753	90°	90"	DT04	International®
5012266	801549	90°	60"		
5012267	801550	90°	75"		
5012268	801551	90°	40"		
5012269	801552	Straight	75"		
5012270	801553	Straight	40"		



Clamping Sleeve
Pc. No. 801534
Included with all service new Bendix® WS-24™ Sensors

New universal clamping sleeves have a Dynamark symbol stamped as shown.

NOTE: Early Bendix® WS-20™ clamping sleeves have "BW" in a diamond symbol stamped and cannot be used for WS-24™ sensors.

Connectors Available

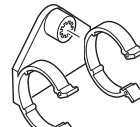
<p>Delphi Metripack Series Connector CP 150.2</p> <p>Delphi Metripack Series Connector GT 150</p>	<p>Delphi Metripack 280 Series Connectors</p>
<p>Deutsch DTM06-2S Connector NOTE: Deutsch model number "DTM06-2S" molded into connector body</p>	<p>Deutsch DT04-2P Connector NOTE: Deutsch model number "DT04-2P" molded into connector body</p>
Standard 2-Pin DIN Barrel Connector	

Bendix® WS-20™ Wheel Speed Sensor Replacements

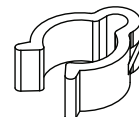
• Bendix® WS-20™ wheel speed sensors are no longer available.

i SD-13-4754

WS-20™ Pc. No.	WS-24™ Service New Pc. No.	Body Style	Harness Length	Connector Type
065517	801566	90°	75"	Packard (150.2)
065518	801566			
550657	801566		60"	Deutsch DTM
5000889	801546			
5005707	801546	Straight	63"	Packard (150.2)
5006663	801567			
5006664	801567			



Retainer for a 2-Pin DIN Connector
Pc. No. 300122N

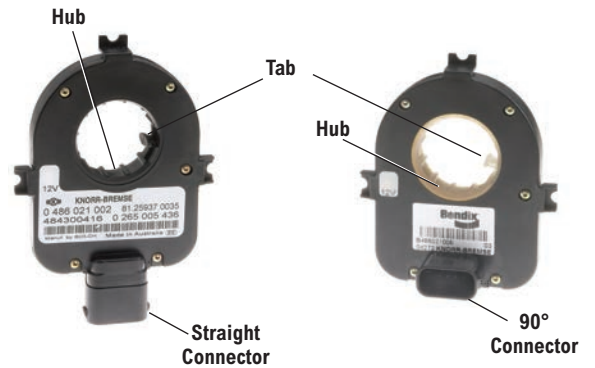


Hose Clip
Pc. No. K044394
(10 pieces)

Previous Bendix Wheel Speed Sensors
The Bendix® WS-24 sensor fit and function is compatible with all previous Bendix wheel speed sensors (when used with correct clamping sleeve - see above).

Bendix® ESP® Sensors

i SD-13-4869



**Bendix® SAS-60™
Steering Angle Sensor**

OE Pc. No.	Service New Pc. No.	Connector Type	Stability System Compatibility	Customers Include
Steer Angle Sensor				
5013702	K072856	90°	Bendix	Navistar®, Kenworth®, Peterbilt®, Volvo®, Mack®
K072855				
5018284	K022680	90°	Other	Freightliner®
K072861				
5015743	K072860	Straight	Other	Freightliner
K072859				
5018418	K022679	Straight	Bendix	Navistar, Kenworth, Peterbilt, Volvo, Mack

OE Pc. No.	Service New Pc. No.	Model	Mounting Orientation Guides	Customers Include
Yaw/Lateral Acceleration Sensor*				
5013703	802126	YAS-60™	-	Navistar, Kenworth, Peterbilt, Volvo, Mack, Prevost®
K0205682E4	K058836	YAS-70X™	-	Volvo, Mack
K0205682E4P	K048055		Included	Navistar, Kenworth, Peterbilt, Prevost
Pressure Sensor				
5005758	5008677	PS-60™	-	Navistar, Kenworth, Peterbilt

*Yaw/Lateral acceleration sensor models and part numbers are not interchangeable.



**PS-60™
Bendix® Pressure
Sensor**



**Bendix® YAS-70X™
Yaw/Lateral Acceleration
Sensor Package**



**Bendix® YAS-60™
Yaw/Lateral Acceleration
Sensor Package**

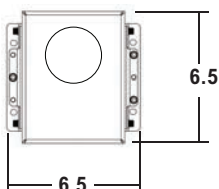
Bendix™ VORAD® VS-400 Forward Looking Radar

[Reference BW2771](#)

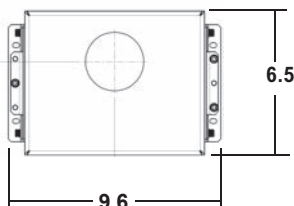


Bendix™ VORAD® VS-400 Forward Looking Radar

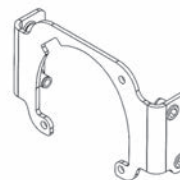
OE Pc. No.	Reman. Exchange Pc. No. (Radar Only)	Replacement Part Functionality			Service Bracket Kit for OEM Installation	Customers
		Collision Warning	Adaptive Cruise Control (Bendix® SmartCruise®)	Range Adjustable		
VSFR-002	K094042X	Yes	—	—	None	Freightliner®
VSFR-002H						International®
VSFR-006					VSBR-004N	Volvo®
VSFR-011					VSBR-011N	Freightliner
VSFR-017					N11-6083	PACCAR®
K054325					None	International
VSFR-003	K094044X	Yes	Yes	Yes	None	Freightliner
VSFR-003H						International
K054326						International
VSFR-005P						Kenworth®
VSFR-008					VSBR-004N	Volvo
VSFR-018					N11-6083	Peterbilt®



Small Bracket VSBR-004N



Large Bracket VSBR-011N



Peterbilt® Bracket N11-6083

Forward Looking Radar Driver Display

OE Pc. No.	Service New Pc. No.	Volume Adjustable	Customers
K040748	K120829N000	Yes	Freightliner®
K046159			Peterbilt®
K057751			Kenworth®
K057752			Volvo®
K092701			International®
K092702			International
K097310			Kenworth
K111682			Kenworth
K113704R000			International
VSDI-001			PACCAR®
VSDI-001P			International
VSDI-001P2			Freightliner
VSDI-001V			MCI®
VSDI-003			International



Forward Looking Radar Driver Display



Bendix® Forward Looking Radar FLR10™ to FLR20™ Changeover

Navistar®		
Bendix® FLR10™ Radar Sensor Pc. No.	For Navistar® ProStar® vehicles built on or before 1/31/2011	For Navistar ProStar® vehicles built after 1/31/2011
K043225	K097917	K097916
K050056		
K050057		
K051511		
K056476		
K056480		
K056481		
K067883		
K067884		
K070393		
K090770		
K090778		

Peterbilt®	
Peterbilt® Vehicle Model	Bendix® FLR20™ Replacement Kit Pc. No.
Peterbilt 365	K108587
Peterbilt 367SFAA	
Peterbilt 384 (molded)	K111346
Peterbilt 384 (clad)	
Peterbilt 386 (molded)	K108586
Peterbilt 386 (clad)	K111346
Peterbilt 388	K108587
Peterbilt 389	
Peterbilt 579	K111345
Peterbilt 587	K111347
Kenworth® (Not applicable for vehicles with MX2013 Engines)	
Kenworth® Vehicle Model	Bendix® FLR20™ Replacement Kit Pc. No.
Kenworth T660	K109003
Kenworth T680	K111345
Kenworth T700	K111348
Kenworth T800	K108587








Mack®	
Bendix® FLR10™ Radar Sensor Pc. No.	Mack® Replacement Kit Pc. No.
K035749	Order 85143481 from your Mack dealer
K036727	
K040234	
K043283	
K046886	
K051105	
K051511	
K056476	
K056478	
K070393	
Volvo®	
Bendix® FLR10™ Radar Sensor Pc. No.	Volvo® Replacement Kit Pc. No.
K027310	Order 85143372 from your Volvo dealer
K036725	
K040236	
K046886	
K051131	
K051511	
K056475	Order 85144304 from your Volvo dealer
K056476	
K070393	
K027310	
K036725	
K040236	
K046886	
K051131	
K051511	
K056475	
K056476	
K070393	

Reman FLR10 piece number K030393 is available in limited quantities.
When servicing an FLR10 radar it is recommended that an FLR20 be used, if possible.








Bendix® FLR20™ Kits and Service Parts

Vehicle Application	OE Part Numbers	Bracket Kit (Radar Sensors Are Not Included in Kits)	Other Parts Available	Reman Bendix® FLR20™ Radar Sensor
Kenworth® Vehicles				
T660	K071755R001 K073211 K073211R001	K073210 	KW Cover N22-1332, (order from PACCAR)	 K071772N001X
T680	K072849 K072849R001 K072849R002 K073209 K073209R001	K073206 	KW Cover N22-1307-411, (order from PACCAR)	
T800	K069922R001 K073213R001	K073212 	—	
Peterbilt® Vehicles				
SFFA 365/367/ 388/389	K073219 K073219R001	K073212 	Jumper Harness K092154	 K071772N001X
SFFB 384/386 (clad), 384 (molded)	K073208R001	K073205 		
386 (molded)	K091531 K091531R001	K091529 	—	
567	K111078R000	K073205 	—	
579	K072849 K072849R001 K072849R002	K073206 	—	
587	K072846 K072846R001	K073204 	Jumper Harness K092154	

Bendix® FLR20™ Kits and Service Parts






Vehicle Application	OE Part Numbers	Bracket Kit (Radar Sensors Are Not Included in Kits)	Reman Bendix® FLR20™ Radar Sensor
Navistar® Vehicles (J1939 Communications - 250 kbps)			
Navistar® ProStar®, LoneStar®	K071761 K071761R001	K073215 	 K071772N001X
Navistar TranStar®	K073220 K093286 K093286R001	K090752 	
Navistar WorkStar®	K073216 K105029R001	K073217 	
Navistar ProStar with metal bumper	K087384 K087384R001	K087385 	
Volvo® and Mack® Vehicles			
Volvo and Mack	K071759	K071757 	 K071772N001X (K105224 Sold Separately)

ACCESSORIES:







K105224		Bumper Harness*	Bumper Harness Mating Connector*
		K092154 	 K105399
Stand-off Adjustment Kit (Included in Bracket Kits)		Bendix® Wingman® Alignment Tools	
K073199		K041451  OR K065284 or K096579 	A Steel Clip is also Required for the Bendix® FLR20™ Radar Sensor Alignment Procedure  K073087

*Can be used in cases where vehicle harness is damaged.

Bendix® FLR20™ Kits and Service Parts






Vehicle Application	OE Part Numbers	Bracket Kit (Radar Sensors Are Not Included in Kits)	Reman Bendix® FLR20™ Radar Sensor
Navistar® Vehicles (J1939 Communications - 250 kbps) OEM Production Beginning July 2015			
Navistar® ProStar®	K113245R000 K113245R001 K118207R000 K118207R001	K073215 	 K123760N000X
Navistar TranStar®	K118209R000 K118209R001	K090752 	
Navistar WorkStar®	K118210R000 K118210R001	K073217 	
Navistar ProStar with metal bumper (Aeroclad)	K118208R000 K118208R001 K118613R000 K118613R001	K087385 	
Navistar DuraStar®	K118300R000 K118300R001	K132318 Image Not Available	

ACCESSORIES:






Stand-off Adjustment Kit (Included in Bracket Kits)		Bumper Harness*	Bumper Harness Mating Connector*
K073199		K092154 	K105399 
		A Steel Clip is also Required for the Bendix® FLR20™ Radar Sensor Alignment Procedure	
		Bendix® Wingman® Alignment Tools	
		K041451  OR K065284 or K096579 	K073087 

*Can be used in cases where vehicle harness is damaged.

Bendix® FLR20™ Kits and Service Parts

Vehicle Application	OE Part Numbers	Bracket Kit (Radar Sensors Are Not Included in Kits)	Reman Bendix® FLR20™ Radar Sensor
Navistar® Vehicles (J1939 Communications - 500 kbps)			
Navistar® ProStar®	K113989R000 K113989R001 K118612R000 K118612R001	K073215 	 K123761N000X
Navistar TranStar®	K113988R000 K113988R001	K090752 	
Navistar WorkStar®	K113991R000 K113991R001	K073217 	
Navistar ProStar with metal bumper (Aeroclad)	K113990R000 K118614R000	K087385 	
Navistar DuraStar®	K118351R000 K118351R001	K132318 Image Not Available	

ACCESSORIES:

Stand-off Adjustment Kit (Included in Bracket Kits)		Bumper Harness*	Bumper Harness Mating Connector*
K073199		K092154 	 K105399
		Bendix® Wingman® Alignment Tools A Steel Clip is also Required for the Bendix® FLR20™ Radar Sensor Alignment Procedure	
		K041451 OR K065284 or K096579 	 K073087

*Can be used in cases where vehicle harness is damaged.

AutoVue® Lane Departure Warning (LDW) System™ by Bendix CVS

[SD-64-20124](#)

OE Pc. No.	Service Pc. No.	Description
ECU		
493364001	493364001N	2G NA ECU (Freightliner Century and Columbia)
493364002	K070255	2G NA ECU (Freightliner Cascadia®)
493625001	K073590	3G NA ECU (Volvo® w/ Volvo engine, audio)
493625002	K073591	3G NA ECU (Volvo w/ non-Volvo engine, audio)
493625003	K073592	3G NA ECU (Volvo w/ Volvo engine, SafetyDirect® system by Bendix CVS w/ PeopleNet® telematics, audio)
493625004	K073593	3G NA ECU (Volvo w/ non-Volvo engine, SafetyDirect system by Bendix CVS w/ PeopleNet® telematics, audio)
493625005	K073594	3G NA ECU (Volvo / Volvo engine, SafetyDirect® system by Bendix CVS with Qualcomm® telematics, audio)
493625006	K073595	3G NA ECU (Volvo / non-Volvo engine, SafetyDirect® system by Bendix CVS with Qualcomm® telematics, audio)
493625007	K073596	3G NA ECU (Mack® Pinnacle® / Volvo engine, audio)
493625008	K073597	3G NA ECU (Mack Pinnacle / Volvo engine, haptic)
K068392	K069554	3G NA ECU - configuration is required
Camera		
493246502	K070256	2G NA Camera (24 inch)
493363501		
493554502	K069077	3G NA Camera (24 inch)
K068391		
493554504	K069079	3G NA Camera (15 feet)
K069056		
Bracket		
493398501	493398501N	2G EU Bracket
493081001	K070254	AutoVue® system standard bracket
493088201		
Cable		
493558701	K070257	3G NA cable - direct connect to Qualcomm telematics, MCP100 (10 feet)
493558801	K070258	3G NA cable - direct connect to Qualcomm telematics, MCP200 (10 feet)
493558901	K070259	3G NA cable - direct connect to Qualcomm telematics, MCP100 (17 feet)
493559301	K070260	3G NA cable - direct connect to Qualcomm telematics, MCP200 (17 feet)
493559401	K070261	3G NA cable - direct connect to PeopleNet systems (10 feet)
493559901	K072573	3G NA cable - PeopleNet® systems (17 feet)
493587501	K077488	3G NA cable - 2G to 3G retrofit
493556201	K079771	3G NA cable - speaker, RS-232
493556901	K079774	3G NA cable - haptic, RS-232
493231201	K082373	AutoVue cable - 20' truck harness
Miscellaneous		
1361139	K078657	AutoVue dash switch kit
K079385		
493081201	K079727	AutoVue bracket adhesive
0810437	K082368	AutoVue 3-1/2" flush speaker
0810438	K082369	AutoVue 3-1/2" speaker cover

Components for AutoVue® by Bendix CVS



ECU



Camera



Cable



Speaker and Cover



Dash Switch

Bendix™ BlindSpotter® Side Radar

i SD-61-4933

OE Pc. No.	Service New Pc. No.	Customers
15671-001	15671-001N	Kenworth®
15671-001P		Kenworth, Peterbilt®
15671-001V		Volvo®, Mack®
VSSD-001		Freightliner®
VSSD-001H		Navistar®
K070289	K072601	Freightliner



Side Radar

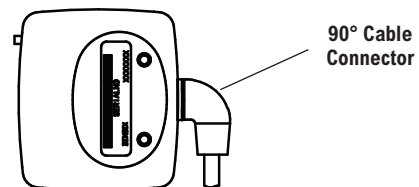
Bendix™ BlindSpotter® Side Speaker

OE Pc. No.	Service New Pc. No.	Customers
15670-001P1	15670-001N	Kenworth, Peterbilt
15670-001P2		Kenworth, Peterbilt
15670-001V		Volvo
VSSD-002		Freightliner
VSSD-003		Navistar
VSSD-004	VSSD-004N	Freightliner

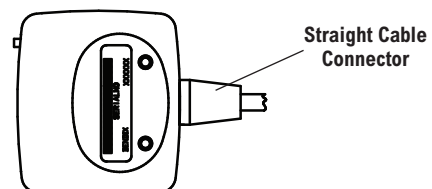


Side Speaker

Bendix™ BlindSpotter® Retrofit Kit Pc. No. 83251-701N includes all the wiring and hardware necessary to install BlindSpotter on an in-service vehicle.



90° Cable Connector



Straight Cable Connector

SmarTire® Tire Pressure Monitoring Systems (TPMS)

• Service Parts and Tools

i BW2799

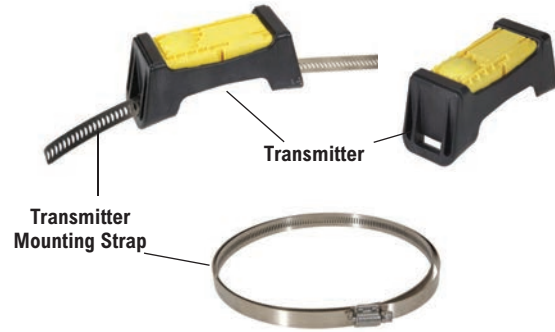
Service Parts

OE Pc. No.	Service New Pc. No.	Description
–	115.0009N	Wheel Sensor Kit for 22.5" Wheels*
–	115.0010N	Wheel Sensor Kit for 24.5" Wheels*
201.0007 201.0009	201.0009N	Transmitter with Rim Label
264.0328 K126936	K129560N	Transmitter Mounting Strap (up to a 22.5" wheel)
264.0332 K120938	K129561N	Transmitter Mounting Strap (up to a 24.5" wheel)
200.0216 200.0184	200.0216N	Receiver ECU
200.0217 200.0179	200.0217N	Dash Display
240.0162	240.0162N	Antenna
260.0309	260.0309N	System Harness
260.0232	260.0232N	40' Co-ax Cable
260.0266	260.0266N	30' Co-ax Cable
264.0318	264.0318N	Receiver ECU Mounting Bracket
264.0228	264.0228N	Transmitter Cradle - High
K075867	K095614	Trailer-Link™ ABS Splice Cable
K075868	K095615	Trailer-Link ECU Wiring Harness (6 foot)
200.0189	200.0189N	Trailer-Link ECU
K075869	K095616	Trailer-Link ECU Wiring Harness (15 foot)
K092801	K096638	Trailer-Link Mounting Bracket
K079156	K097008	ECU CAN Ready Harness
K079157	K097009	Display CAN Ready Harness

* Includes transmitter, strap and label

Tools and Diagnostic Aids

Tool Pc. No.	Description
090.0011	SmarTire® Maintenance Tool
090.0021	SmarTire LF Tool
108.9003	SmarTire Diagnostic Cable
K092501	Trailer-Link Diagnostic Cable

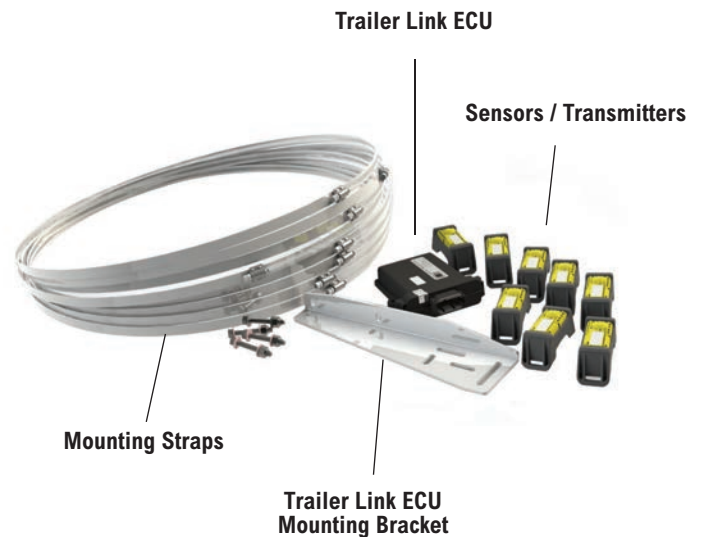


SmarTire® Tire Pressure Monitoring Systems (TPMS) Retrofit Kits

Retrofit Kit Pc. No.	Description
Tractor / Truck Kits	
Stand-Alone Installations	
108.1006	4 x 2 Truck / Bus Retrofit Kit
108.1008	3 Axle Bus / Coach Retrofit Kit
108.1010	6 x 4 Truck Retrofit Kit
108.1204	4 x 4 Wide Based Tire Truck Retrofit Kit
108.1206	6 x 2 Wide Based Tire Truck Retrofit Kit
CAN Ready Installations	
108.2010	6 x 4 Truck Retrofit Kit
108.2206	6 x 4 Wide Based Truck Retrofit Kit



Retrofit Kit Pc. No.	Description
Trailer-Link Kits	
108.1604	2 Axle Trailer with Wide Based Single Tires
108.1408	2 Axle Trailer with Dual Tires



Note: Kits are configured as follows:

- Cold Inflation Pressure (CIP) 100 psi For All Axles
- First Level Alert (FAL) \pm 15%
- Second Level Alert (SAL) -20%
- High Temp 185°

Diagnostic Tools

Service New Pc. No.	Description
Powered Vehicle Tools	
K101596N001	Bendix® RDU - Remote Diagnostic Unit
801872	RDU adapter - J1587 (6 pin) to RDU adapter cable
802229	RDU adapter - J1939 (9 pin) to RDU adapter cable
K098856	OBD2 Diagnostic Cable
K073087	FLR20 Wingman Adapter Bracket
K022055	Datalink Monitoring Unit
K096759	Bendix® Wingman® ACB Alignment Tool
090.0011	SmarTire® Maintenance Tool
090.0021	SmarTire LF Tool
108.9003	SmarTire Diagnostic Cable
Trailer Tools	
K101597	Bendix® TRDU - Trailer Remote Diagnostic Unit
802165	TRDU adapter - 7 pin adapter
800790	J1587 (6 pin) trailer diagnostic cable
K044767	J1939/J1587 (9 pin) trailer diagnostic cable
K092501	TrailerLink Diagnostic Cable
Software	
	ACom® PC Diagnostic Software download available from www.bendix.com .



RDU Adapter
801872



Bendix® RDU
K101596N001



RDU Adapter
802229



DataLink™
Monitor
K022055



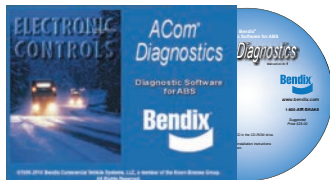
Bendix® Wingman® ACB
Alignment Tool
K065284 or
K096579



Maintenance Tool
090.0011



LF Tool
090.0021



Bendix® ACom® Diagnostic Software
visit www.bendix.com



Bendix® TRDU
K101597

TRDU Adapter
802165



Diagnostic Cable
800790



OBD2 Diagnostic Cable
K098856



Diagnostic Cable
K044767

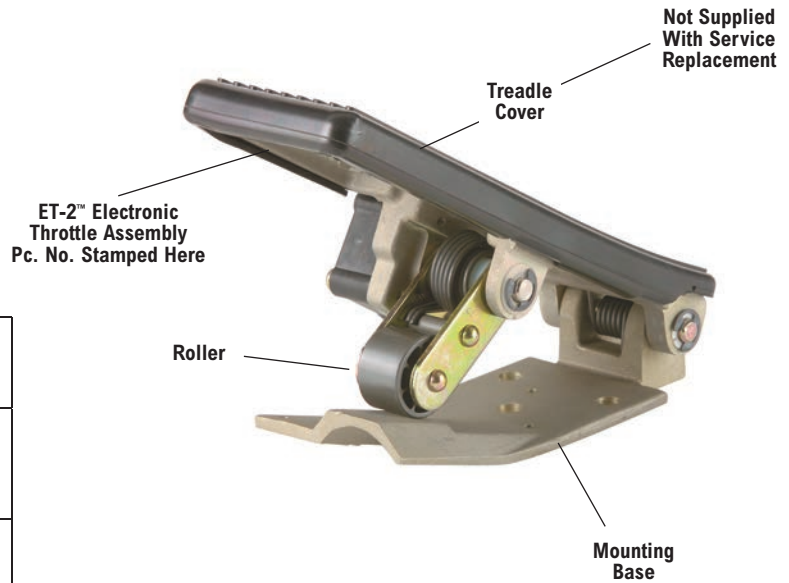
Bendix® ET-2™ Electronic Throttle

- Pivot Pin Kit 550392
- Lever Shaft Spring Kit 550393

V.M.R.S. No. 44-007-047

i [SD-15-4106](#)

OE Pc. No.	Service New Pc. No.	Major Kit	Customer
550281	—	550394	DDC
550546			
550604			
550482	065381	550543	Cummins
5004022	800347		
5006301	800638	5006362	
5006302			
5006578			
550615	065483	550403	Caterpillar
5002574			
5009751			

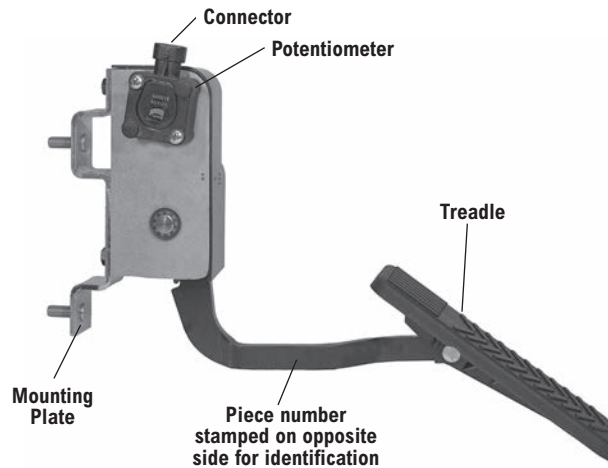


Bendix® ET-S2™ Electronic Treadle

V.M.R.S. No. 44-007-047

i [SD-15-4111](#)

Service New Pc. No.	Treadle & Spring Kit	Potentiometer Replacement Kit	Customer
800606	5006085	K124017	Cummins
800608		5010163	Caterpillar
K019453			



The company you trust for your heavy-duty foundation brake needs brings you Formula Blue® hydraulic brake parts, with comprehensive coverage for light- and medium-duty vehicles, class 1–6.



Brake Pads and Shoes

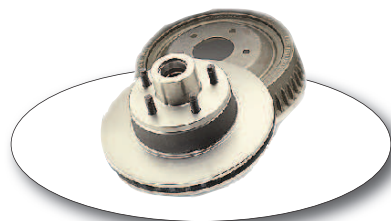
- Proven stopping performance
- Long service life
- Resistance to noise and kind to rotors

Formula Blue® medium-duty pads are available in both Heavy Duty grade – where maximum service life is essential – and Premium formulations, where quiet running is a must.



Calipers

- Includes remanufactured and service new versions
- Fits the broadest range of medium- and light-duty commercial vehicles
- Available in semi-loaded and loaded applications
- Superior quality control minimizes service related issues



Rotors & Drums

- Superior casting finish
- Smoother stops
- Reduced vibration
- Rust resistant finish



Brake & Clutch Hydraulics

- Brake cylinders, master cylinders, and other key brake components, providing long, reliable service life



Hardware

- Ensures quiet, reliable operation

Formula Blue® Online Parts Guide

Finding your replacement part is now faster and easier, with instant access to the Formula Blue parts catalog.

1. Log on to www.formula-blue.com
2. Enter the product, and the year, make and model for your vehicle to find the correct replacement part.



Find out more. Talk to your Bendix representative, call 1-866-610-9709, or visit www.foundationbrakes.com.

Formula Blue® and Bendix®-brand foundation brake products are brought to you by:

Bendix Spicer Foundation Brake LLC
A Bendix CV5 and Dana Joint Venture



Brake Pad and Shoe
Cross Over to Bendix® Formula Blue®

Performance Friction	Formula Blue
0050.20	E11100500
0052.20	E11100520
0120.20	E11104500
0149.20	E11105430
0154.20	E11101540
0184.10	E11107170
0199.20	E11102000
0215.20	E11102150
0224.10	E11102240
0225.10	E11102250
0269.20	E11101230
0346.20	E11104990
0368.20	E11103680
0369.20	E11103690
0375.20	E11103750
0376.20	E11103760
0387.20	E11103870
0411.10	E11104110
0411.30	E11104110
0417.20	E11104170
0421.20	E11103240
0450.20	E11104500
0459.20	E11104590
0477.20	E11104770
0499.20	E11104990
0505.20	E11105050
0506.20	E11105060
0521.20	E11105240
0544.20	E11106620
0546.20	E11105460
0557.20	E11105570
0591.20	E11105910
0598.20	E11105980
0601.20	E11106010
0610.20	E11106100
0614.20	E11106140

Performance Friction	Formula Blue
0628.20	E11106280
0632.20	E11106320
0655.10	E11106550
0655.30	E11106550
0659.20	E11106780
0667.20	E11106670
0674.20	E11106740
0679.20	E11106790
0711.20	E11107110
0746.20	E11107460
0748.80	E11107480
0757.20	E11107570
0769.10	E11107690
0777.10	E11107770
0777.20	E11107770
0784.20	E11107840
0785.20	E11107850
0786.10	E11107860
0786.11	E11107861
0786.12	E11107860
0786.13	E11107861
0802.20	E11108020
0803.20	E11108030
0814.20	E11106980
0821.20	E11108210
0824.20	E11107560
0825.20	E11108250
0827.20	E11108270
0869.20	E11108690
0883.20	E11108830
0909.20	E11109090
0928.10	E11109280
0931.20	E11109310
0932.20	E11109320
0949.10	E11109490
0965.10	E11109650

Performance Friction	Formula Blue
0966.20	E11107020
0974.20	E11109740
0989.20	E11109890
1006.10	E11110060
1010.10	E11110100
1027.10	E11110270
1032.10	E11107690
1040.20	E11109320
1057.20	E11110570
1058.20	E11110580
1062.10	E11110620
1064.10	E11110640
1066.10	E11110660
1067.10	E11110670
1068.10	E11110680
1069.10	E11110690
1076.20	E11110760
1084.20	E11110840
1092.10	E11110920
1096.20	E11107021
1136.10	E11111360
1194.20	E11111940
1268.10	E11112680
1311.10	E11113110
1316.10	E11113160
1317.10	E11113170
1318.10	E11113180
1328.20	E11113280
1329.20	E11113290
1330.20	E11113300
1333.10	E11110690
1333.11	E11110690
1334.10	E11110670
1334.11	E11110670
1335.20	E11113350
1363.20	E11113630

Performance Friction	Formula Blue
1369.10	E11113690
1392.20	E11113920
1399.20	E11113990
1400.20	E11114000
1411.20	E11114110
1414.20	E11114140
1611.20	E11116110
1612.20	E11116120
278.050.01	E12567102
287.056.01	E12566078
301.052.01	E12567103
305.045.01	E12566077
318.094.01	E12570017
342.055.01	E12568066
348.067.01	E12568070
381.081.20	E12588019
381.082.20	E12588019
381.089.20	E12588021
381.089.30	E12588015
381.113.20	E12588018
381.181.20	E12589008
381.181.30	E12589006
390.048.20	E12588025
390.086.20	E12585019
390.193.20	E12585020
8801.10	E11112030
9178.10	E11112030
9183.10	E11113120
9189.10	E10715250
9190.10	E11113100

RSD Cam Service Replacements

- RSD Cam Kit Pc. No. K126580K must be used when servicing the RSD Cam to remain compliant with the RSD mandate.





Left Cam
Rotation CCW



Right Cam
Rotation CW

OE Pc. No.
Stamped Here for
Identification

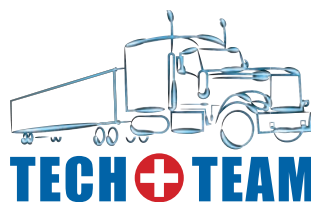
 10 Tooth Cams RSD Precision Head					 28 Tooth Cams RSD Precision Head Cams				
OE CCW Pc. No.	AM CCW Pc. No.	OE CW Pc. No.	AM CW Pc. No.	Cam Shaft Length	OE CCW Pc. No.	AM CCW Pc. No.	OE CW Pc. No.	AM CW Pc. No.	Cam Shaft Length
K044836	K067736	K044837	K067737	8.7490	K117544	K117544N	K117545	K117545N	8.750
K069752	K100120	K069753	K100121	9.3750	K117552	K117552N	K117553	K117553N	9.375
978882	K100122	978883	K100123	9.4380	K117558	K117558N	K117559	K117559N	9.437
K046302	K072902	K046303	K072903	10.1520	K117570	K117570N	K117571	K117571N	10.125
K044140	K070400	K044141	K070401	10.3430	K117576	K117576N	K117577	K117577N	10.375
K069754	K075214	K069755	K075215	10.6250	K117582	K117582N	K117583	K117583N	10.625
978878	K063938	978879	K063939	10.6870	K117588	K117588N	K117589	K117589N	10.687
K103538	K104980	K103539	K104981	10.8750	K117592	K117592N	K117593	K117593N	10.875
976714	K090344	976715	K090345	10.9370	K117596	K117596N	K117597	K117597N	10.937
K069756	K098626	K069757	K098627	11.6250	K117604	K117604N	K117605	K117605N	11.625
978876	K073359	978877	K073335	11.6870	K117610	K117610N	K117611	K117611N	11.687
K069758	K100118	K069759	K100119	12.1250	K117616	K117616N	K117617	K117617N	12.125
978880	K100124	978881	K100125	13.5930	K117634	K117634N	K117635	K117635N	13.625
K044146	K082206	K044147	K082207	15.3750	K117658	K117658N	K117659	K117659N	15.375

CW - Clockwise
CCW - Counterclockwise

RSD Cam Kit piece no. K126580K consists of the following:

Description	Qty.
Flat Washer	3
Washer	2
Washer	1
Snap Ring	1
Cam Washer	1
Bronze Bushing	2
Seal	2

For additional RSD Cam information contact the Tech Team at **1-800-AIR-BRAKE (1-800-247-2725)**, Select option 2 then option 1 to reach the Tech Team.



www.Bendix.com
email techteam@bendix.com

Fax: 440-329-9556

Bendix® RSD-Certified Friction



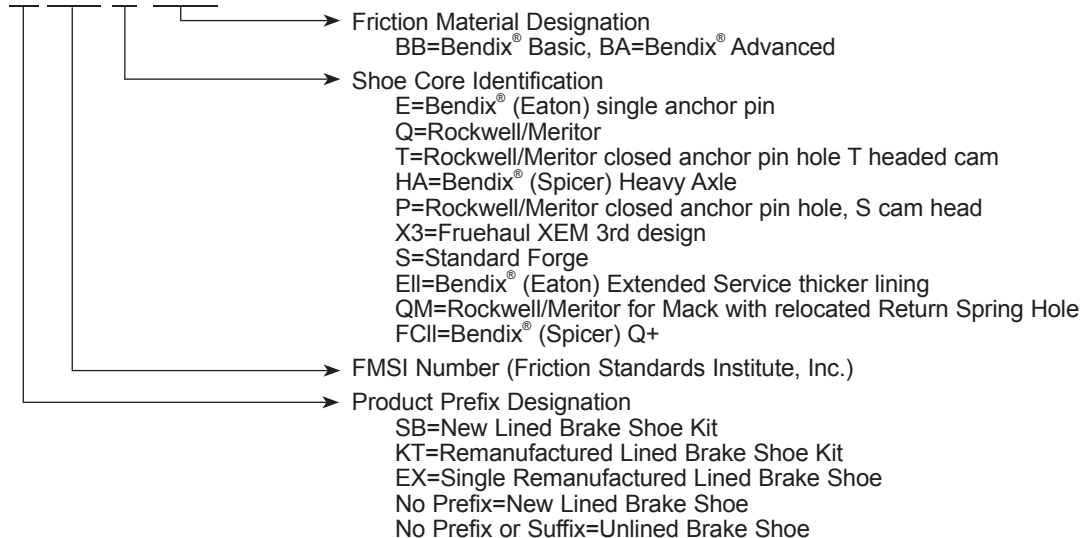
	Brake Size	Name Plate	Friction Material	OE Shoe Assembly	New Aftermarket Kit*	New Aftermarket Shoe	Reman Shoe Kit (See Note 1)	Reman Shoe	Aftermarket RSD Shoe Kit (See Note 2)	
Steer Axle	15" by 4"	Mack®, Volvo®	BX380	K046249	SB4729E2380	4729E2380	KT4729E2380	EX4729E2380	N/A	
	16½" by 5"	Volvo/Mack (early)	BX380	K051424	SB4719E2920	4719E2920	KT4719E2920	EX4719E2920	KT4719E2BA202R	
	16½" by 5"	Volvo/Mack (current)	BX920	K082060	SB4719E2920	4719E2920	KT4719E2920	EX4719E2920	KT4719E2BA202R	
	16½" by 5"	Freightliner®, International®, Kenworth®, Peterbilt®	BX950	K046188	SB4719E2950	4719E2950	KT4719E2950	EX4719E2950	KT4719E2BA202R	
	<i>For applications requiring two return springs, add HC suffix to these part numbers.</i>									
	16½" by 6"	Mack, Volvo	BX380	K051421	SB4725E2380	4725E2380	KT4725E2380	EX4725E2380	N/A	
	16½" by 6"	Freightliner, International, Kenworth, Peterbilt	BX950	K046184	SB4725E2950	4725E2950	KT4725E2950	EX4725E2950	N/A	
Drive Axle	16½" by 7"	Volvo (current)	BX415	K072338	SB4709E2415	4709E2415	KT4709E2415	EX4709E2415	KT4709E2BA202R	
	16½" by 7"	Freightliner, International, Kenworth, Peterbilt, Volvo/Mack (early)	ES420	819774	SB4709E2420	4709E2420	KT4709E2420	EX4709E2420	KT4709E2BA202R	
	16½" by 7"	Freightliner, International, Kenworth, Mack, Peterbilt, Volvo	ES1180	K038992	SB4079E21180	4709E21180	KT4709E21180	EX4709E21180	N/A	
	16½" by 8⅝"	Volvo/Mack (current)	BX415	K078181	SB4726E2415	4726E2415	KT4726E2415	EX4726E2415	KT4726E2BA202R	
	16½" by 8⅝"	Freightliner, International, Kenworth, Peterbilt, Volvo/Mack (early)	ES420	819784	SB4726E2420	4726E2420	KT4726E2420	EX4726E2420	KT4726E2BA202R	
	16½" by 8⅝"	Freightliner, International, Kenworth, Mack, Peterbilt, Volvo	ES1180	K061952	SB4726E21180	4726E21180	KT4726E21180	EX4726E21180	N/A	

Note 1: Kit: Two shoes and hardware (one wheel-end).

Note 2: Shoe kit part numbers that contain BA202R indicate they are approved for vehicles with gross vehicle weight ratings (GVWRs) up to 52,000 lbs.

Guide to Bendix part numbers

KT 4709 EII BA200



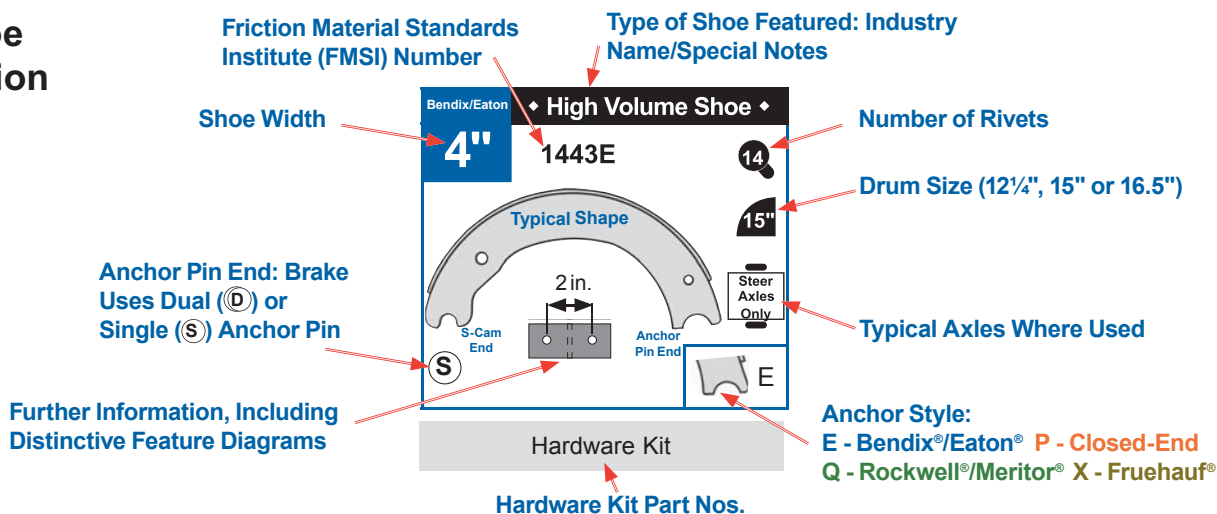
Typical Brake Lining Applications Chart

(Drive and Trailer Axle)

Application	Bendix® Basic		Bendix® Advanced						Bendix® OE					
	20,000 Lbs.	23,000 Lbs.	20,000 Lbs.			23,000 Lbs.			14,600 Lbs.	20,000 Lbs.	23,000 Lbs.			
	Economy	Economy	Standard	Premium	RSD Phase I Compliant (Steer/Drive)	Standard	Premium	*Severe Service	RSD Phase I Compliant (Steer)		RSD Phase I Compliant (Drive)	Drive	Combo-block	Metallic
									**Volvo/Mack	All Others				
Single Tractor Trailer	BB200	BB230	BA200	BA201	BA202R	BA230	BA231	-	BX920	BX950	ES420	ES600	ES1160	-
Tandem Tractor Trailer	BB200	BB230	BA200	BA201	BA202R	BA230	BA231	-	BX920	BX950	ES420	ES600	ES1160	ES1100
Spread Tandem	-	-	BA200	BA201	-	BA230	BA231	BA233	-	-	ES420	ES600	ES1160	ES1100
Multiple Trailer	BB200	BB230	BA200	BA201	BA202R	BA230	BA231	-	BX920	BX950	ES420	ES600	ES1160	ES1100
Van Trailer	-	-	BA200	BA201	BA202R	BA230	BA231	-	BX920	BX950	ES420	ES600	ES1160	-
Straight Truck	BB200	BB230	BA200	BA201	-	BA230	BA231	BA233	-	-	ES420	ES600	ES1160	ES1100
Flat Bed	-	-	BA200	BA201	BA202R	BA230	BA231	BA233	BX920	BX950	ES420	ES600	ES1160	ES1100
Dry Bulk	-	-	BA200	BA201	BA202R	BA230	BA231	BA233	BX920	BX950	ES420	ES600	ES1160	ES1100
Logging Trailer	-	-	-	-	BA202R	-	BA231	BA233	BX920	BX950	ES420	ES600	ES1160	ES1100
Car Hauler	-	-	BA200	BA201	BA202R	BA230	BA231	BA233	BX920	BX950	ES420	ES600	ES1160	-
Tanker	-	-	-	BA201	-	BA230	BA231	BA233	-	-	ES420	ES600	ES1160	ES1100
Container Chassis	BB200	BB230	BA200	BA201	-	BA230	BA231	BA233	-	-	ES420	ES600	ES1160	-
School Bus	-	-	-	BA201	-	BA230	BA231	BA233	-	-	ES420	ES600	-	-
Fire Truck	-	-	-	-	-	-	BA231	BA233	-	-	ES420	ES600	ES1160	ES1100
Refuse Truck	-	-	-	-	-	-	BA231	BA233	-	-	-	-	ES1160	ES1100
Tandem Axle Mixer	-	-	-	BA201	-	BA230	BA231	BA233	-	-	-	-	ES1160	ES1100
Single Axle Dump	-	-	-	BA201	-	BA230	BA231	BA233	-	-	-	-	ES1160	ES1100
Tandem Axle Dump	-	-	-	-	-	BA230	BA231	BA233	-	-	-	-	ES1160	ES1100
Coach	-	-	-	BA201	-	BA230	BA231	-	-	-	ES420	ES600	-	-

*BA232 is superseded by BA233
 **BX380 is superseded by BX920

Brake Shoe Identification



Brake Shoe Identification

<p>Bendix/ Eaton®</p> <p>4" 1443E</p> <p>Steer Axles Only</p> <p>HK54</p>	<p>Bendix/[®]/Eaton®</p> <p>4" 1308E</p> <p>Steer Axles Only</p> <p>The rivets are closer to the edge than 1443E.</p> <p>HK54</p>	<p>Bendix/Eaton</p> <p>4" 4693HA</p> <p>Dual web.</p> <p>HK49-125</p>	<p>Bendix/Eaton</p> <p>4" 4729E2</p> <p>A pressed-in pin must be present. Dual web.</p> <p>HK97XLS</p>
<p>Circular Cam-End Style</p> <p>4" 1308P</p> <p>Circular cam-end style. Single web.</p> <p>HK51</p>	<p>Rockwell/[®]/Meritor®</p> <p>4" 1308Q</p> <p>Single web.</p> <p>HK55</p>	<p>Rockwell/Meritor</p> <p>4" 4702Q</p> <p>Dual web.</p> <p>HK29SB/HK29XLS</p>	
<p>Bendix/Eaton</p> <p>5" 4223E</p> <p>The rails narrow. A welded pin must be present.</p> <p>HK24XLSHM</p>	<p>Bendix/Eaton</p> <p>5" 4719E2</p> <p>A pressed-in pin must be present.</p> <p>HK61XLS/HK62/HK62XLS</p>	<p>Bendix/Eaton</p> <p>5" 4661FC2</p> <p>Trailer Axles Only</p> <p>HK49-150</p>	<p>Rockwell/Meritor</p> <p>5" 4703Q</p> <p>Non-typical drum size.</p> <p>HK29XLS</p>
<p>Rockwell/Meritor</p> <p>5" 4720Q</p> <p>Compare rivet locations with 4524Q and 4524QM.</p> <p>HK74SB/HK74XLS</p>	<p>Rockwell/Meritor</p> <p>5" 4524Q</p> <p>Very similar to 4524QM, but the spring hole is further from the table.</p> <p>HK29XLS</p>	<p>Rockwell/Meritor</p> <p>5" 4524QM</p> <p>Very similar to 4524Q, but the spring hole is closer to the table.</p> <p>HK81XLS</p>	<p>Rockwell/Meritor</p> <p>5" 4524HA</p> <p>HK95XLS</p>

Brake Shoe Identification

<p>Bendix/Eaton</p> <p>5 1/2" 4536FC2 20</p> <p>Trailer Axles Only</p> <p>(D) E</p>	<p>Bendix/Eaton</p> <p>6" 4317E 14</p> <p>Steer & Trailer Axles</p> <p>(S) E</p>	<p>Bendix/Eaton</p> <p>6" 4716E2 14</p> <p>Steer Axles Only</p> <p>(S) E</p>	<p>Bendix/Eaton</p> <p>6" 4725E2 14</p> <p>Steer Axles Only</p> <p>(S) E</p>
<p>HK49-150</p>	<p>HK24XLSHM</p>	<p>HK90XLS</p>	<p>HK61XLS / HK62 / HK62XLS</p>
<p>Rockwell/Meritor</p> <p>6" 4715Q 24</p> <p>Steer, Drive & Trailer</p> <p>(D) Q</p>	<p>Rockwell/Meritor</p> <p>6" 4514Q 24</p> <p>Steer, Drive & Trailer</p> <p>(D) Q</p>	<p>Rockwell/Meritor</p> <p>6" 4514HA 24</p> <p>Steer, Drive & Trailer</p> <p>(D) Q</p>	<p>Rockwell/Meritor</p> <p>6" 4514QM 24</p> <p>Steer, Drive & Trailer</p> <p>(D) Q</p>
<p>HK29XLS / HK74XLS</p>	<p>HK80XLS</p>	<p>HK95XLS</p>	<p>HK74XLS</p>
<p>Circular Cam-End Style</p> <p>7" 4515P 32</p> <p>Drive & Trailer Axles</p> <p>(S) P</p>	<p>Bendix/Eaton</p> <p>7" 4311E 28</p> <p>Drive & Trailer Axles</p> <p>(S) E</p>	<p>Bendix/Eaton</p> <p>7" 4311EHM 28</p> <p>Drive & Trailer Axles</p> <p>(S) E</p>	<p>Bendix/Eaton</p> <p>7" 4709E (UNIVERSAL) 28</p> <p>Steer, Drive & Trailer</p> <p>(S) E</p>
<p>HK16XLS</p>	<p>HK24XLSLM</p>	<p>HK24XLSHM</p>	<p>HK63 / HK63XLS</p>
<p>Bendix/Eaton</p> <p>7" 4709E2 28</p> <p>Steer, Drive & Trailer</p> <p>(S) E</p>	<p>Bendix/Eaton</p> <p>7" 4709S2 28</p> <p>Steer, Drive & Trailer</p> <p>(S) E</p>	<p>Bendix/Eaton</p> <p>7" 4709E 28</p> <p>Steer, Drive & Trailer</p> <p>(S) E</p>	<p>Rockwell/Meritor</p> <p>7" 4708Q 28</p> <p>Drive & Trailer Axles</p> <p>(D) Q</p>
<p>HK61XLS/HK62SD / HK62XLS</p>	<p>HK61SD</p>	<p>HK63SD / HK63XLS</p>	<p>HK67XLS</p>

Brake Shoe Identification

<p>Rockwell/Meritor ♦ High Volume Shoe ♦</p> <p>7" 4707Q 28</p> <p>3 3/4 in. 16 1/2"</p> <p>Drive & Trailer Axles</p> <p>(D) Very similar to 4515Q - and 4515X3, but the rivets are further from the rails.</p> <p>HK29SB / HK29XLS / HK29XLSMB</p>	<p>Rockwell/Meritor ♦ High Volume Shoe ♦</p> <p>7" 4515Q 32</p> <p>2 1/4 in. 1 inch dia. 16 1/2"</p> <p>Drive & Trailer Axles</p> <p>(D) Very similar to 4707Q - rivets are closer to the rails.</p> <p>HK29XLS / HK29XLSMB / HK75SD</p>	<p>Fruehauf ♦ High Volume Shoe ♦</p> <p>7" 4515X3 32</p> <p>2 1/4 in. Approx. 1 1/8 inch dia. 16 1/2"</p> <p>Drive & Trailer Axles</p> <p>(D) Very similar to 4707Q - rivets are closer to the rails.</p> <p>HK34SD / HK34XLS</p>	<p>Rockwell/Meritor</p> <p>7" 4515HA 28</p> <p>2 3/4 in. 5 in. 16 1/2"</p> <p>Drive & Trailer Axles</p> <p>(D)</p> <p>HK95XLS</p>
<p>Circular Cam-End Style</p> <p>7 1/2" 4591S 32</p> <p>12 1/2"</p> <p>Trailer Axles Only</p> <p>(D) Circular Cam-End Style.</p> <p>HK43XLS</p>	<p>Bendix/Eaton</p> <p>7 1/2" 4692FC2 20</p> <p>12 1/2"</p> <p>Drive & Trailer Axles</p> <p>(D)</p> <p>HK49-150</p>	<p>Bendix/Eaton</p> <p>8" 47X8 32</p> <p>16 1/2"</p> <p>Drive & Trailer Axles</p> <p>(S) Pressed-in pin must be present.</p> <p>HK61XLS</p>	<p>Rockwell/Meritor</p> <p>8" 4718Q 32</p> <p>16 1/2"</p> <p>Drive & Trailer Axles</p> <p>(D)</p> <p>HK29XLS</p>
<p>Circular Cam-End Style</p> <p>8 5/8" 4551P 32</p> <p>16 1/2"</p> <p>Drive & Trailer Axles</p> <p>(D) Circular cam-end style. Only centered webs are acceptable.</p> <p>HK14SD / HK14XLS / HK16</p>	<p>Bendix/Eaton</p> <p>8 5/8" 4726E2 32</p> <p>16 1/2"</p> <p>Drive & Trailer Axles</p> <p>(S) Pressed-in pin must be present.</p> <p>HK61 / HK61XLS</p>	<p>Bendix/Eaton</p> <p>8 5/8" 4717E2 32</p> <p>15"</p> <p>Steer Axles Only</p> <p>(S) Pressed-in pin must be present.</p> <p>HK91XLS</p>	<p>Bendix/Eaton</p> <p>8 5/8" 4674E 20</p> <p>15"</p> <p>Drive & Trailer Axles</p> <p>(S) A welded pin must be present. The rails narrow.</p> <p>HK24XLSLM</p>
<p>Bendix/Eaton</p> <p>8 5/8" 4726S2 32</p> <p>16 1/2"</p> <p>Steer, Drive & Trailer</p> <p>(S) A pressed-in pin must be present here.</p> <p>HK61SD</p>	<p>Rockwell/Meritor</p> <p>8 5/8" 4551Q 32</p> <p>3 3/4 in. 7 in. 16 1/2"</p> <p>Drive & Trailer Axles</p> <p>(D) Only centered webs are acceptable.</p> <p>HK29 / HK29XLS</p>	<p>Rockwell/Meritor</p> <p>8 5/8" 4710Q 32</p> <p>3 3/4 in. 6 in. 15"</p> <p>Drive & Trailer Axles</p> <p>(D)</p> <p>HK29XLS</p>	<p>Rockwell/Meritor</p> <p>8 5/8" 4711Q 28</p> <p>3 3/4 in. 6 in. 16 1/2"</p> <p>Drive & Trailer Axles</p> <p>(D)</p> <p>HK29XLS</p>

Brake Shoe Hardware Kits

Hardware Kit Bendix Pc. No.	Hardware Kit Contents
HK14SD	
HK14XLS	
HK16	
HK16XLS	
HK24XLSHM	
HK24XLSLM	

Hardware Kit Bendix Pc. No.	Hardware Kit Contents
HK29	
HK29SB	
HK29SD	
HK29XLS	
HK29XLSMB	
HK34SD	

Brake Shoe Hardware Kits

Hardware Kit Bendix Pc. No.	Hardware Kit Contents
HK34XLS	
HK43XLS	
HK49-125	
HK49-150	
HK51	
HK54	

Hardware Kit Bendix Pc. No.	Hardware Kit Contents
HK55	
HK61	
HK61SD	
HK61XLS	
HK62	
HK62SD	

Brake Shoe Hardware Kits

Hardware Kit Bendix Pc. No.	Hardware Kit Contents
HK62XLS	
HK63	
HK63SD	
HK63XLS	
HK67XLS	
HK74SB	

Hardware Kit Bendix Pc. No.	Hardware Kit Contents
HK74XLS	
HK75SD	
HK80XLS	
HK81XLS	
HK90XLS	
HK91XLS	

Hardware Kit Bendix Pc. No.	Hardware Kit Contents
HK95XLS	
HK97XLS	

Online Bendix Literature Center – At Your Service

Need Literature? The online literature center makes it easy to order Bendix literature. Our streamlined ordering process is fast and convenient, and puts the most up-to-date Bendix product and technical literature right at your fingertips 24/7.

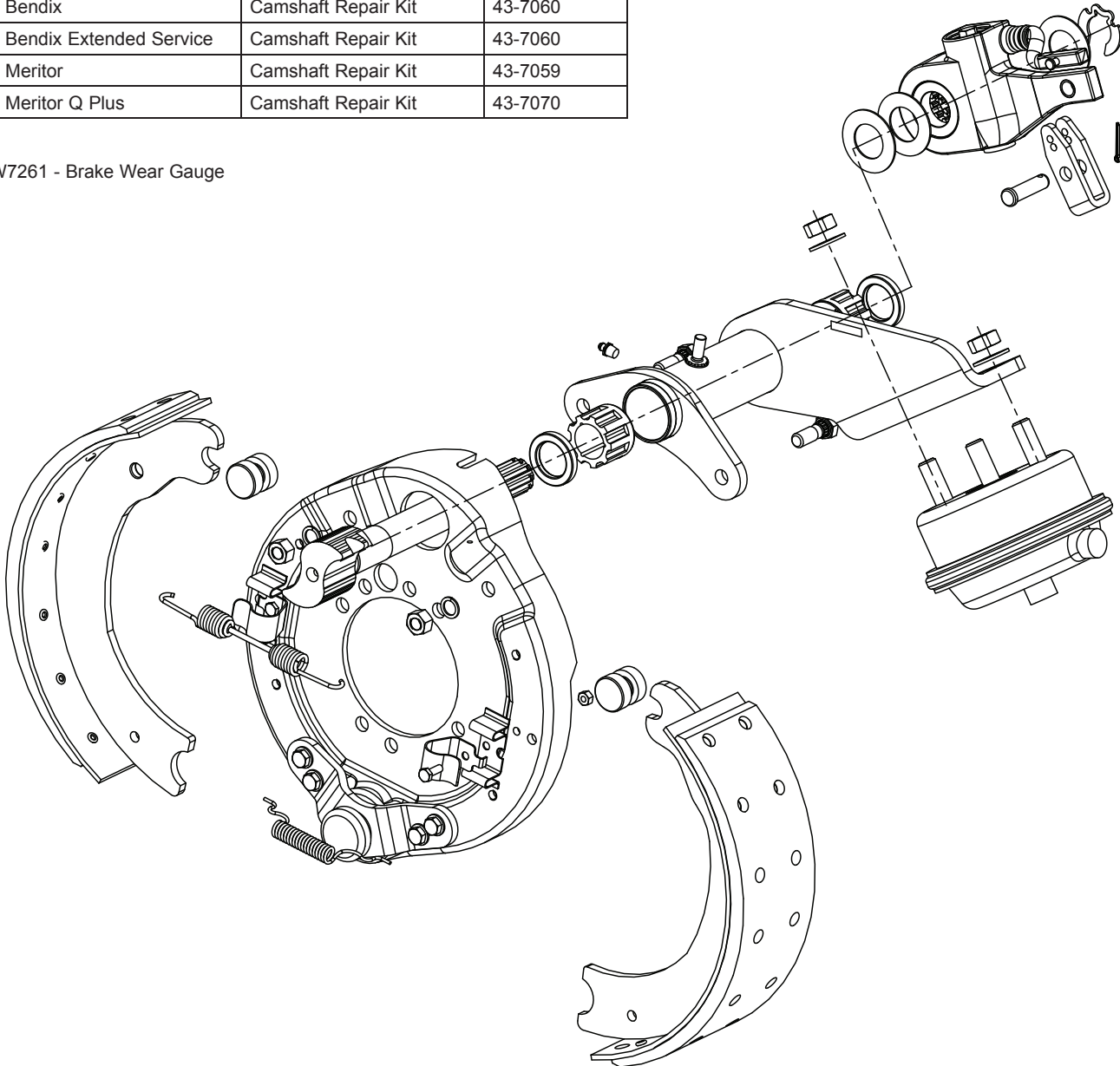
Sign-up takes just a few minutes, and gives you access to the documents you need to help sell or service Bendix products.

To register or to access your existing account, visit www.bendix.com and click on the “**Visit the Bendix Marketing Center**” icon on the homepage, or use the link on www.foundationbrakes.com.

Steer Axle Drum Brake

Application	Description	Piece Number
15"x4" Bendix®	Brake Hardware Kit	HK54
15"x4" Bendix Extended Service	Brake Hardware Kit	HK54
15"x4" Meritor®	Brake Hardware Kit	HK55
15"x4" Meritor Q Plus	Brake Hardware Kit	HK29XLS
15"x4" Bendix	Camshaft Repair Kit	43-7060
15"x4" Bendix Extended Service	Camshaft Repair Kit	43-7060
15"x4" Meritor	Camshaft Repair Kit	43-7059
15"x4" Meritor Q Plus	Camshaft Repair Kit	43-7070

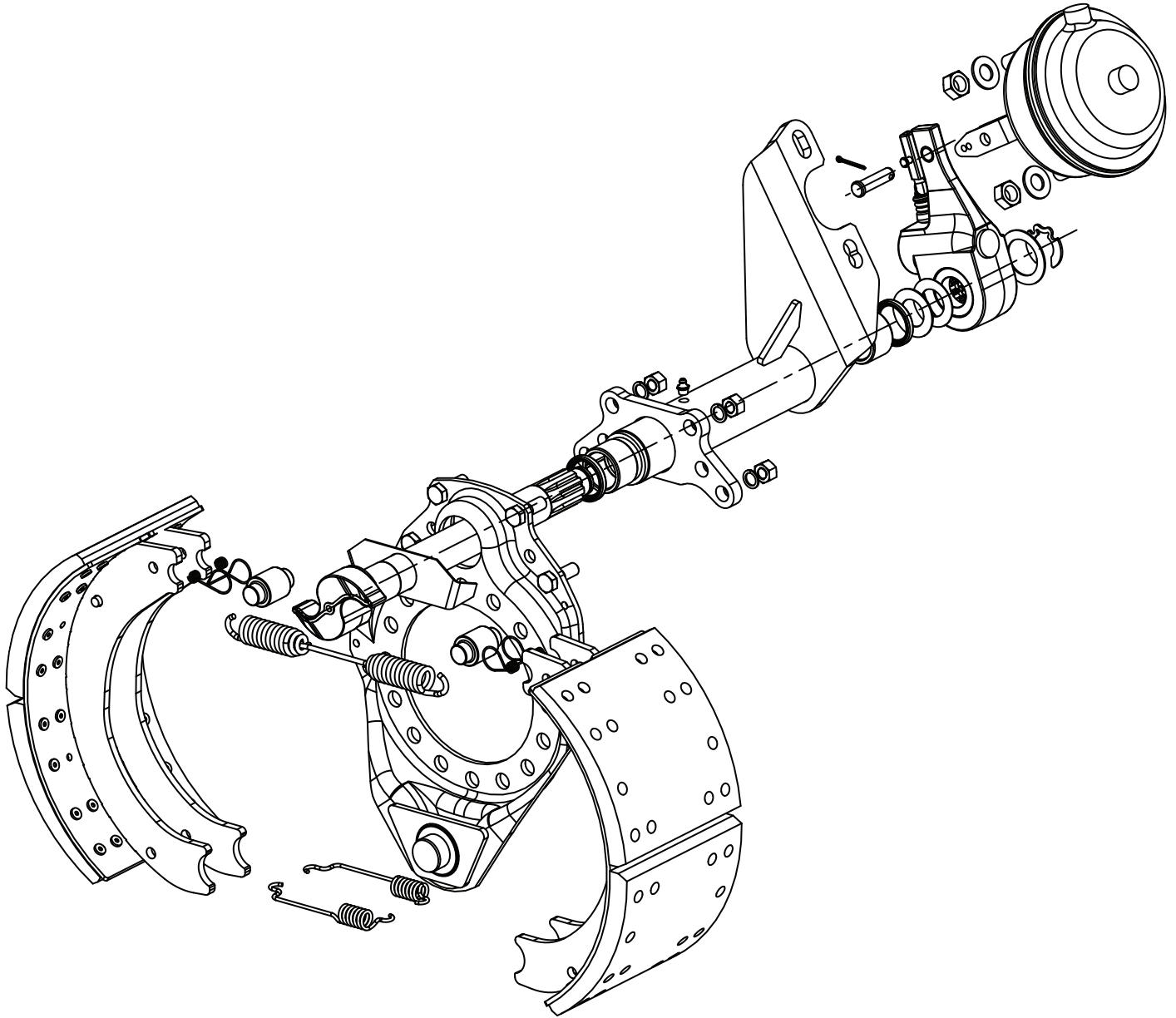
BW7261 - Brake Wear Gauge



This catalog contains the most common components and kits. Many other applications and variations are available in the Bendix® product offering. Visit the literature center on www.foundationbrakes.com for additional information.

Drive Axle Drum Brake

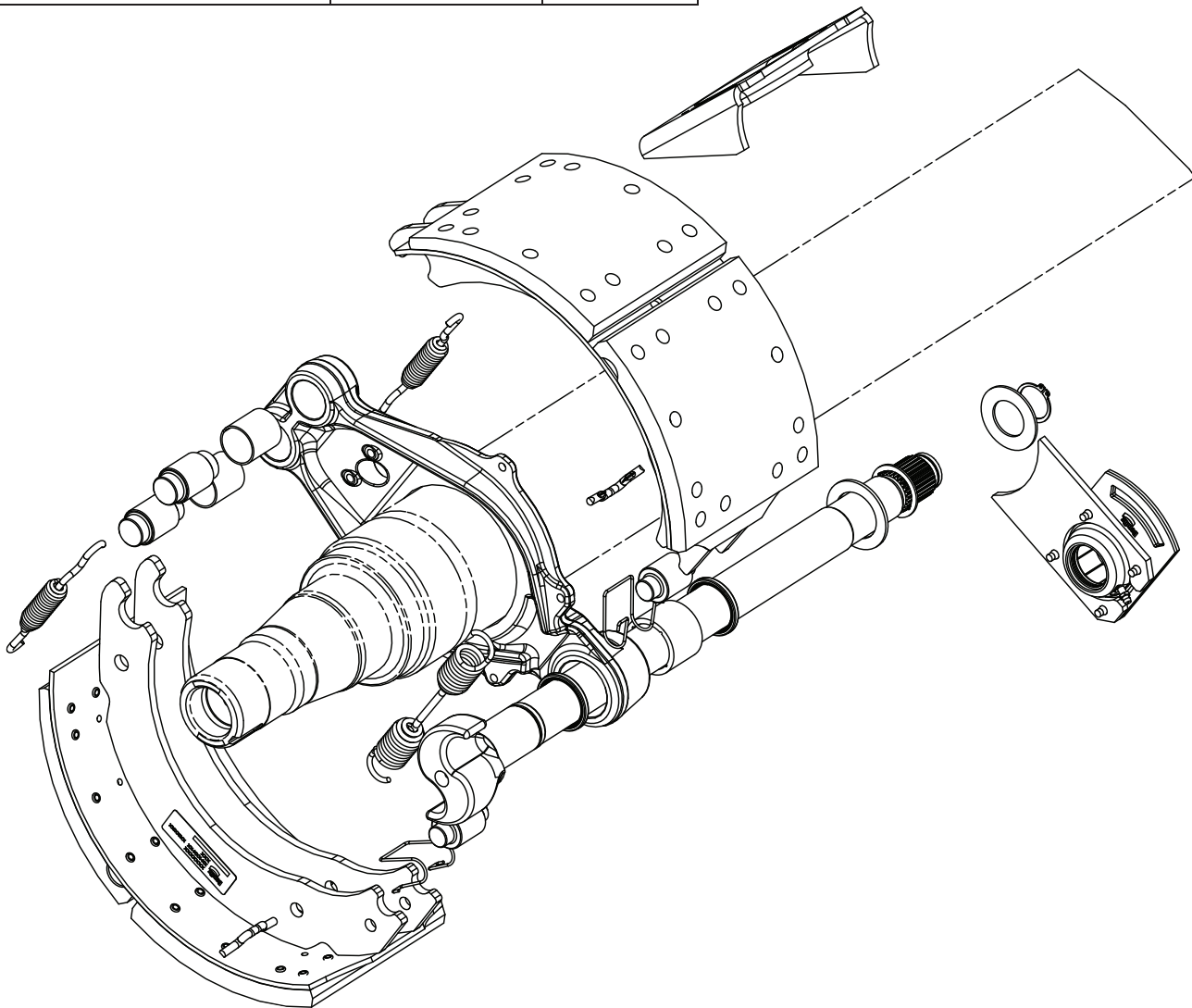
Application	Description	Piece Number
16.5" Dia. Bendix®	Brake Hardware Kit	HK24XLSHM
16.5" Dia. Bendix Extended Service	Brake Hardware Kit	HK61XLS
16.5" Dia. Meritor®	Brake Hardware Kit	HK29XLS
16.5" Dia. Meritor Q Plus	Brake Hardware Kit	HK29XLS
16.5" Dia. Bendix Extended Service	Camshaft Repair Kit	43-7069
16.5" Dia. Meritor Q Plus	Camshaft Repair Kit	43-7048



This catalog contains the most common components and kits. Many other applications and variations are available in the Bendix® product offering. Visit the literature center on www.foundationbrakes.com for additional information.

Trailer Axle Drum Brake

Application	Description	Piece Number
16.5" Dia. SAP Bendix®	Brake Hardware Kit	HK24XLSHM
16.5" Dia. SAP Bendix Extended Service	Brake Hardware Kit	HK61XLS
16.5" Dia. DAP Bendix	Brake Hardware Kit	HK29XLS
16.5" Dia. DAP Bendix Extended Service	Brake Hardware Kit	HK29XLS
16.5" Dia. Meritor®	Brake Hardware Kit	HK29XLS
16.5" Dia. Meritor Q Plus	Brake Hardware Kit	HK29XLS
16.5" Dia. ProPar	Brake Hardware Kit	HK34XLS
16.5" Dia. Bendix Extended Service	Camshaft Repair Kit	43-7118
16.5" Dia. Meritor Q Plus	Camshaft Repair Kit	43-7072
16.5" Dia. ProPar	Camshaft Repair Kit	43-7039



This catalog contains the most common components and kits. Many other applications and variations are available in the Bendix® product offering. Visit the literature center on www.foundationbrakes.com for additional information.

Bendix® ADB22X™ Caliper with Carrier

SD-23-7541

Confirm whether the caliper being replaced is a Type 'A' or 'B' before selecting the appropriate replacement part number.

<p>For Bendix® Air Disc Brakes, as a vehicle travels forward, the wheel always rotates towards the fixed-pin side of the caliper first.</p>	
Type 'A'	Type 'B'
<p>On most vehicles, Type A calipers are used on the passenger's side of the vehicle. (There are some rare driver's side applications.)</p>	<p>On most vehicles, Type B calipers are used on the driver's side of the vehicle. (There are some rare passenger's side applications.)</p>

Truck and Tractor Bendix® ADB22X™ Brake Caliper with Carrier Assemblies



OEM	TYPE	12° Steer and Drive Axle Caliper with Carrier	Bendix Service New Part Number	Bendix Reman Part Number	Core Class	Core Group
Freightliner®		Bendix® ADB22X-V™ Air Disc Brake				
	A		K081256	K109957X	J2	90
B		K081257	K109958X			
Kenworth® Mack® Navistar® Peterbilt® Volvo®		Bendix® ADB22X™ Air Disc Brake				
	A		K081142	K109961X	J4	
	B		K081143	K109962X		

Bendix® ADB22X™ Caliper with Carrier

i SD-23-7541

Confirm whether the caliper being replaced is a Type 'A' or 'B' before selecting the appropriate part number.

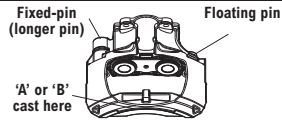
Trailer Bendix® ADB22X™ Brake Calipers

OEM	TYPE	0° Trailer Axial Bendix® ADB22X™ Air Disc Brake Caliper with Carrier	Bendix Service New Part Number	Bendix Reman Part Number	Core Class	Core Group
All	A		802984	K113887X	J3	90
	B		802985	K113888X		

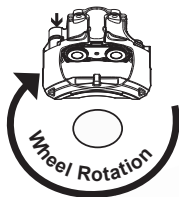
Bendix® ADB22X™ Air Disc Brake

SD-23-7541

For Bendix® Air Disc Brakes, as a vehicle travels forward, the wheel always rotates towards the fixed-pin side of the caliper first.

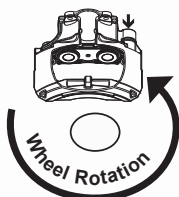


Type 'A'



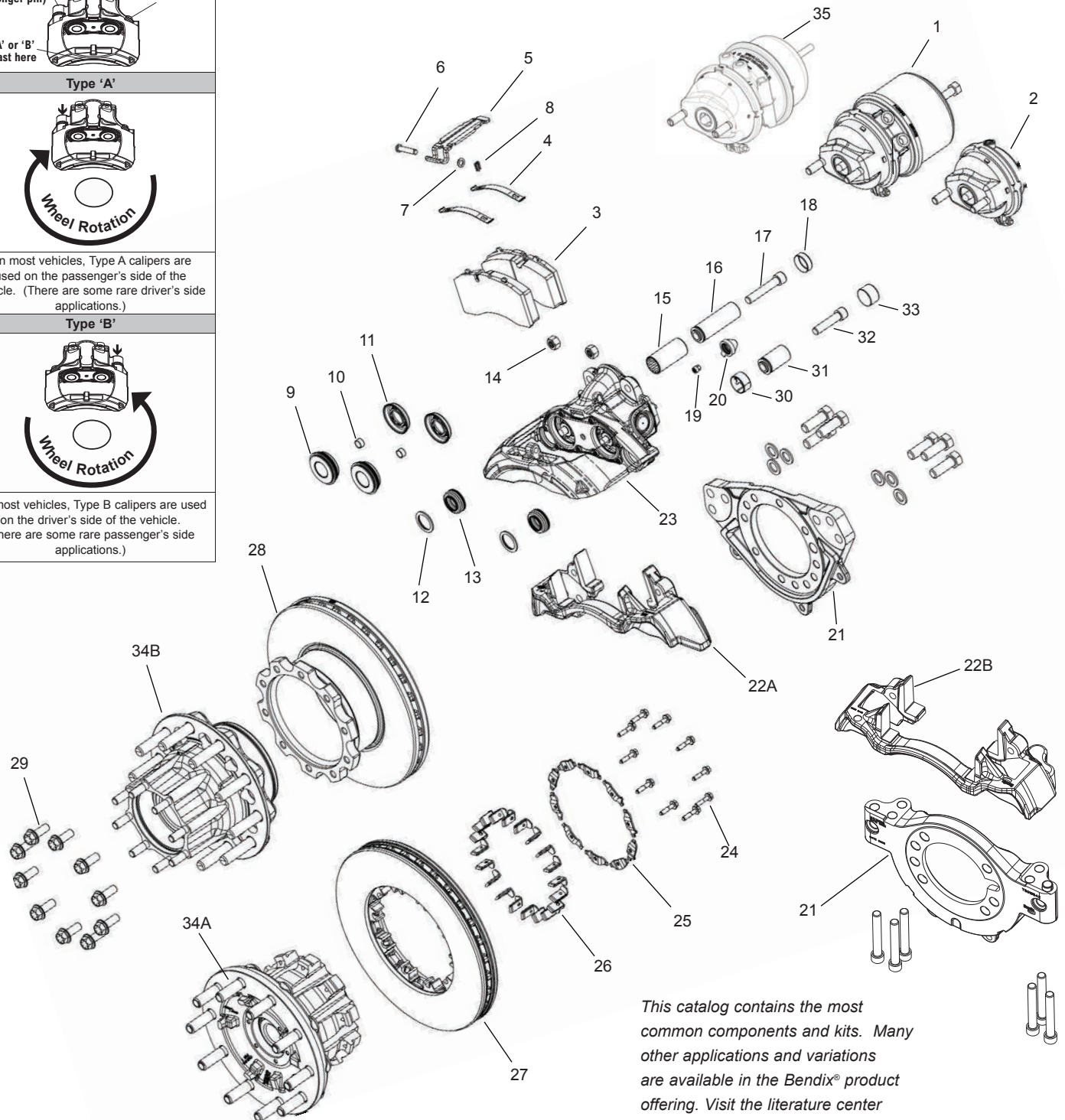
On most vehicles, Type A calipers are used on the passenger's side of the vehicle. (There are some rare driver's side applications.)

Type 'B'



On most vehicles, Type B calipers are used on the driver's side of the vehicle. (There are some rare passenger's side applications.)

For additional actuator information refer to section 02 of this catalog.



This catalog contains the most common components and kits. Many other applications and variations are available in the Bendix® product offering. Visit the literature center on www.foundationbrakes.com for additional information.

Kit	Piece Number	Air Disc Brake					Components Included in Kit
		North American Truck, Trailer & Refuse	Specialty Applications	Transit / Severe Duty			
				ADB22X™	ADB225™	SB-7™	
Pad Kit (axle set)	802593		✓				(3, 4, 5, 6, 7, 8, 19, 20)
	K070796	✓				✓	(3, 4, 5, 6, 7, 8, 19, 20)
	K109249			✓	✓		(3, 4, 5, 6, 7, 8, 19, 20)
	K109113	✓					Severe Duty - High Temp
	K109318			✓	✓		Severe Duty
	K115559	✓					Severe Duty - Low Temp
Splint Kit (box of 25)	803151	✓	✓	✓	✓		(8)
Shear Adapter (box of 10)	802455	✓	✓		✓		(19)
Tappet/Boot Kit (wheel end kit)	K010603				✓		(9, 10, 11)
	K010604			✓			(9, 10, 11)
	K092079	✓	✓		✓	✓	(9, 10, 11)
Adjuster Cover (non-wear sensing - box of 10)	802643	✓	✓				(20)
	K003902					✓	(20)
	K000945			✓	✓		
Guide Pin, Seal and Boot Kit (wheel end kit)	803114	✓					(12, 13, 15, 16, 17, 18, 30, 31, 32, 33)
	K001915		✓		✓		(12, 13, 15, 16, 17, 18, 30, 31, 32, 33) Rubber Bushing Retro. to Metallic Bushing
	K004100					✓	(12, 13, 15, 16, 17, 18, 30, 31, 32, 33)
	K010766				✓		(12, 13, 15, 16, 17, 18, 30, 31, 32, 33) DU Bushing Kit
	K048396K50			✓			(12, 13, 15, 16, 17, 18, 30, 31, 32, 33) See Service Data Sheet SD-23-7550 (BW2000) for Guide Pin Identification
	K048371K50			✓			
	K109244				✓		
	I1328090062			✓			
	I139769F0062			✓			
	I1368470064		✓				(12, 13, 15, 16, 17, 18, 30, 31, 32, 33) Rubber Bushing Kit
Guide Pin Grease	I114525	✓	✓	✓	✓		White (5 grams)
	K021964	✓	✓	✓	✓		White (500 grams)
	K021963			✓			Green (8 grams)
	K021975			✓			Green (500 grams)
Service Actuator	K028039	✓					Bendix® Type 14 Universal (2, 14)
	K028226	✓					Bendix® Type 16 Universal (2, 14)
	K028022	✓	✓	✓	✓	✓	Bendix® Type 18 Universal (2, 14)
	K021995				✓		Bendix® Type 24
	K021996				✓		Bendix® Type 24
	K028225	✓	✓	✓	✓	✓	Bendix® Type 20 Universal (2, 14)
Spring Brake Chamber (See the Spring Brake Section of this catalog for more information.)	K027557	✓					Bendix® Type 18/16 Piston Style Truck/Trailer Universal (1, 14)
	K025670	✓	✓	✓	✓	✓	Bendix® Type 18/24 Piston Style Truck/Trailer Universal (1, 14)
	K068622				✓		Bendix® Type 22/24
	803089				✓		Bendix® Type 24/24
	803090				✓		Bendix® Type 24/24
	K025669	✓	✓	✓	✓	✓	Bendix® Type 20/24 Piston Style Truck/Trailer Universal (1, 14)
Caliper-Carrier Assembly Includes 803114	K081142	✓					Steer and Drive Axial "A" (22A + 23)
	K081143	✓					Steer and Drive Axial "B" (22A + 23)
	802984	✓					Trailer Axial "A" (22A + 23)
	802985	✓					Trailer Axial "B" (22A + 23)
	K081256	✓					Steer and Drive Vertical "A" (22B + 23)
	K081257	✓					Steer and Drive Vertical "B" (22B + 23)
	K108183				✓		Caliper Carrier with Pads "B"
	K108184				✓		Caliper Carrier with Pads "A"
	K108187				✓		Caliper Carrier with Pads "A"
	K108188				✓		Caliper Carrier with Pads "B"
	K108189				✓		Caliper Carrier with Pads "A"
	K108190				✓		Caliper Carrier with Pads "B"
	K108191				✓		Caliper Carrier with Pads "A"
K108192				✓		Caliper Carrier with Pads "B"	

Kit	Piece Number	Air Disc Brake					Components Included in Kit
		North American Truck, Trailer & Refuse	Specialty Applications	Transit / Severe Duty			
				ADB22X™	ADB225™	SB-7™	
Caliper Kit (rationalized) Includes 803114	K081258	✓					Steer and Drive Axle "A" (23)
	K081259	✓					Steer and Drive Axle "B" (23)
	K019180	✓					Trailer Axle "A" (23)
	K019181	✓					Trailer Axle "B" (23)
	K002964				✓		Transit Bus / Severe Duty Applications (23) "B"
	K002965				✓		Transit Bus / Severe Duty Applications (23) "A"
	K003783				✓		Transit Bus / Severe Duty Applications (23) "B"
	K003784				✓		Transit Bus / Severe Duty Applications (23) "A"
	K003809				✓		Transit Bus / Severe Duty Applications (23) "B"
	K003810				✓		Transit Bus / Severe Duty Applications (23) "A"
	K003811				✓		Transit Bus / Severe Duty Applications (23) "B"
	K003812				✓		Transit Bus / Severe Duty Applications (23) "A"
	K109120				✓		Transit Bus / Severe Duty Applications (23) "A"
	K109121				✓		Transit Bus / Severe Duty Applications (23) "B"
K014065				✓		Transit Bus / Severe Duty Applications (23) "B"	
K014066				✓		Transit Bus / Severe Duty Applications (23) "A"	
Carrier Kit	K051853	✓					Steer and Drive Axle, Axial (12, 13, 17, 18, 19, 20, 22A, 32, 33)
	K056559	✓					Steer and Drive Axle, Vertical (12, 13, 17, 18, 19, 20, 22B, 32, 33)
	K043288	✓					Trailer Axle, Axial (12, 13, 17, 18, 19, 20, 22A, 32, 33)
Hubs	802847	✓					Splined Disc® Brake - Aluminum - R Drive, LMS Bearing Package (34B)
	802859	✓					Splined Disc® Brake - Aluminum - R Drive, Standard Bearing Package* (34B)
	803134	✓					Splined Disc® Brake - Aluminum - FL Steer, LMS Bearing Package (34A)
	803138	✓					Splined Disc® Brake - Aluminum - FL Steer, Standard Bearing Package* (34A)
	K020505	✓					Splined Disc® Brake - Aluminum - FF Steer, LMS Bearing Package (34A)
	K020514	✓					Splined Disc® Brake - Aluminum - FF Steer, Standard Bearing Package* (34A)
	K045298	✓					Splined Disc® - Aluminum - "TN" Trailer, Standard Bearing Package* (34B)
	K045297	✓					Splined Disc® - Aluminum - "TP" Trailer, Standard Bearing Package* (34B)
Splined Disc® Rotor Attaching Kit	See hub supplier for these standard hub products	✓	✓	✓	✓	✓	U-shaped - Iron/Aluminum, LMS/Standard Bearing Packages
		✓	✓	✓	✓	✓	Flat - Iron/Aluminum, LMS/Standard Bearing Packages
Rotor	K037767	✓					All Splined Disc® Rotor Applications (24, 25, 26)
	802082	✓	✓				150mm Offset, 430mm Outer Diameter, 249mm Inner Diameter, U-shaped (28, 29)
	802569	✓					No Offset, 430mm Outer Diameter, 258mm Inner Diameter, Heavy-Duty Splined Disc Kit (24, 25, 26, 27)
	802669			✓	✓		114.7mm Offset, 430mm Outer Diameter, 165mm Inner Diameter, Rotor U-shaped (28)
	K021958			✓	✓		131mm Offset, 430mm Outer Diameter, 198mm Inner Diameter, Rotor U-shaped (28)
	K021959			✓	✓		179.7mm Offset, 430mm Outer Diameter, 163.4mm Inner Diameter, Rotor U-shaped (28)
	K034497				✓		104.7mm Offset, 430mm Outer Diameter, 165mm Inner Diameter (28)
II37415N				✓	✓	136mm Offset, 430mm Outer Diameter, 190mm Inner Diameter, Rotor U-shaped (28)	
Shields	802948	✓					Steer Axle Pad Shield Kit
	803129	✓					Trailer Axle Pad & Rotor Shield Kit
	803130	✓					Drive Axle Pad & Rotor Shield Kit
Tool Kit	K028829	✓					Tappet Boot Tool Kit
	K029164	✓					Guide Pin and Tappet Boot Tool Kit
	K039062K50				✓		Guide Pin and Tappet Boot Tool Kit
	II37951/004			✓			Guide Pin and Tappet Boot Tool Kit
Air Disc Brake Pad Wear Kit	K109114	✓					Pad / Rotor Measuring Tool

* Universal Replacement with standard bearing configuration and long studs. Contact 1-800-AIR-BRAKE if identification assistance is required.

Bendix Online Brake School



When You Want It. Where You Need It. www.brake-school.com

The Bendix Online Brake School is your complete resource for web-based technical training, straight from the experts. Keep your skills sharp with a comprehensive menu of ever-evolving instructional videos and interactive modules.

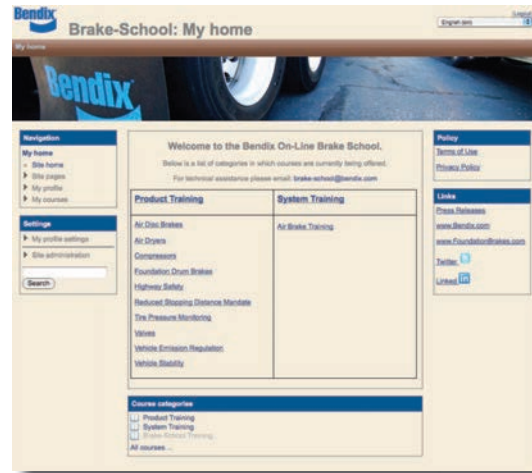
Home to e-training on a full range of Bendix products and industry hot topics, www.brake-school.com offers courses on:

- Air Dryers and Compressors
- Valves
- Disc and Drum Brakes
- Vehicle Stability
- Electronics
- Air Brake System training and more!

Visit www.brake-school.com, register for your secure account and take the course(s) that you need. Each course is accompanied by a brief quiz to test your knowledge.

Available 24/7/365... www.brake-school.com. Just a mouse click away!

Put yourself to the test. Bendix Online Brake School... where you need it, when you need it, and on the topics that matter most to advancing your skill set.

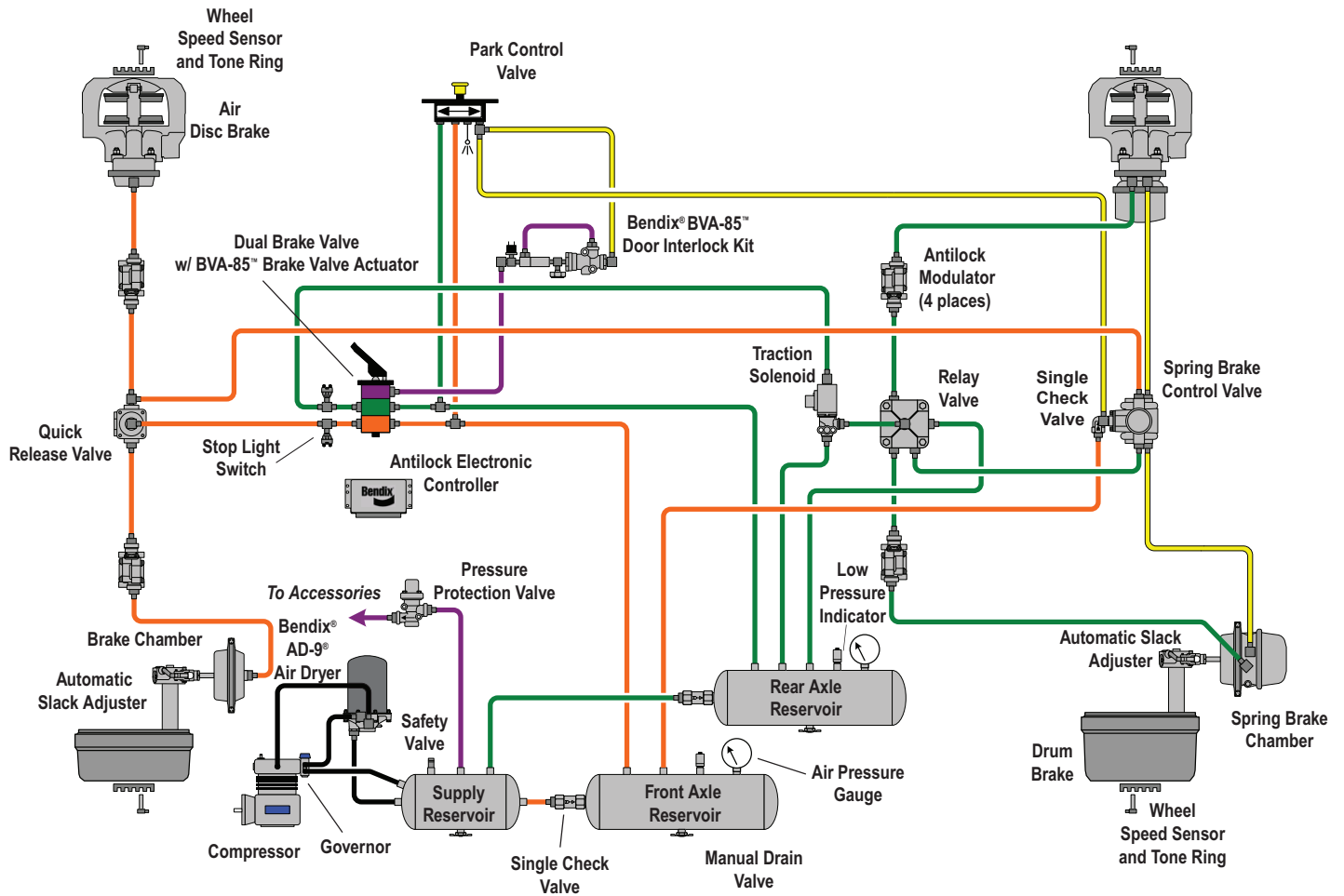


Trademarks

The ACOM, AD-2, AD-4, AD-9, AD-9si, ADB225, ADB22X, ADB22X-V, AD-IP, AD-IS, AD-SP, AF-3, ALWAYS ALERT, ASA-5, AT-3, AT-30, AT-6, ATR-1, ATR-3, ATR-6, AUTOBRAKE, AUTOVIEW, BA-921, BA-922, BACKSPOTTER, BASIC, BENDIX, BENDIX DESIGN, BLINDSPOTTER, BLUECHROME, BP-1, BP-R1, BR9235, BVA-85, BX-2150, BW IN A DIAMOND, BX DESIGN, C-1, C-3, C-5, C-6, CORELESS, D-2, D-2A, DATALINK, DC-1, DC-2, DC-3, DC-4, DD2, DD3, DRM, DS-1, DS-2, DURADRAIN, DURAFLO 596, DV-2, DYNAMARK DESIGN, E-10PR, E-10P, E-10R, E-10, E-12, E-14, E-15, E-2, E-3, E-6, E-7, E-8P, EC-16, EC-17, EC-30, EC-60, EC-80, ECUTALK, ES BRAKES, ESP, ESR, ES, ET-2, ET-S2, EVERFLOW, E-Z-GRIP, FLEX, FLR10, FLR20, FORMULA BLUE, HR-1, KNORR-BREMSE, LMS, LP-2, LP-3, LQ-1, LQ-2, LQ-4, LQ-5, M-30, M-32QR, M-32, MC-30, MV-2, MV-3, PAVE, PBS, PP-1, PP-2, PP-3, PP-5, PP-7, PP-8, PP-DC, PS-60, PR-2, PR-3, PR-4, PURAGUARD, QR-1, QR-1C, QRD-2, QR-L, QRN-2, QRN, QUADVISION, R-12, R-12DC, R-12P, R-14, R-1, R-1C, R-5, R-6, R-7, R-8P, R-8, RD-3, RE-6, RE-6NC, RSP, RV-1, RV-3, SAS-60, SafetyDirect, SB-4, SB-7, SC-1, SC-2, SC-3, SC-PR, SD3, SDS-9600, SK-7, SL-3, SL-4, SL-5, SMART ATC, SMARTCRUISE, SMARTIRE, SMARTWAVE, SN-7, SPICER, SPLINED DISC, SR-1, SR-2, SR-4, SR-5, SR-7, SRC-7000, ST-3, ST-4, SURESTROKE, SV-1, SV-4, SYSTEM-GUARD, TABS-6, TC-2, TC-4, TC-6, TC-7, TCS-9000, TE-1, TH-3, TP-3, TP-3DC, TP-4, TP-5, TR-1, TR-2, TR-3, TR-4, TR-5, TRSP, TRUCK PRODUCTS DESIGN, TU-FLO, TW-11, TW-1, TW-2, TW-3, TW-4, TW-5, VORAD, WINGMAN, WS-20, WS-24, XVISION, YAS-60 and YAS-70X trademarks are licensed to or owned by Bendix Commercial Vehicle Systems LLC.

Any references in this catalog to ACERT, BERG, BLUEBIRD, CASCADIA, CAT, CATERPILLAR, CUMMINS, DDC, DETROIT DIESEL, DTNA, EQUINOX, FORD, FREEDOMLINE, GM, HOLSET, IHC, INTERNATIONAL, JOHN DEERE, KELSEY HAYES, KENWORTH, MACK, MERITOR, MIDLAND, NAVISTAR, OSHKOSH, PACCAR, PEOPLETNET, PETERBILT, QUALLCOMM, SEALCO, VOLVO, WABCO, WAGNER, and any other company or trademark are solely for identification and cross reference purposes. The trademarks are the property of their respective companies and are not affiliated with or endorsing Bendix Commercial Vehicle Systems LLC. Bendix Commercial Vehicle Systems LLC does not represent any parts shown as products manufactured or remanufactured by the companies so named herein.

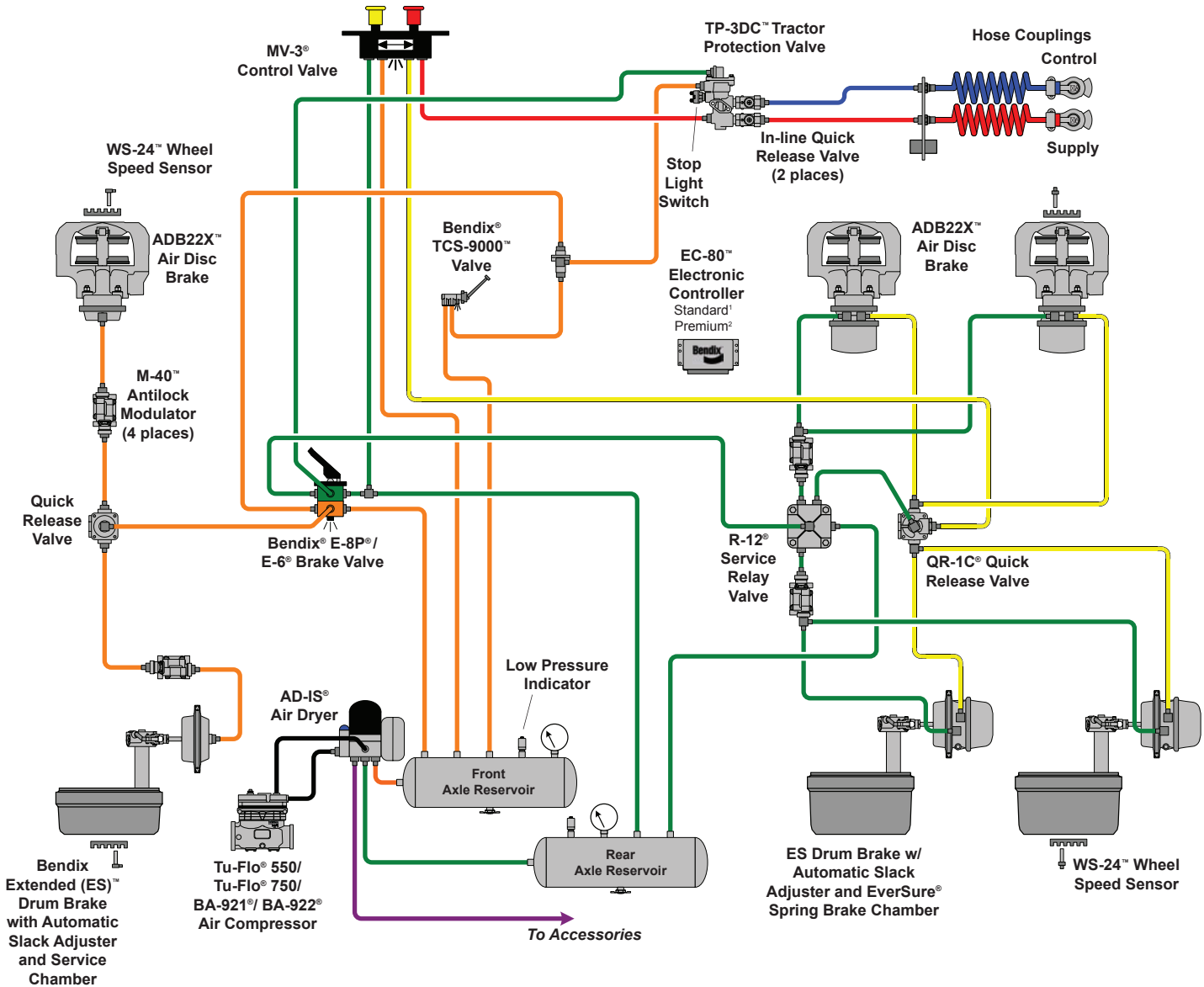
Typical School Bus Air System Schematic with a Bendix® AD-9® Air Dryer



Notes:
The color coding of the brake system schematic follows TMC Recommended Practice #423.
Air disc & drum brake actuation combined on a single axle are shown for pictorial purposes only.

SCHOOL BUS:				
■ Charging	■ Primary	■ Secondary	■ Parking (Control)	■ Accessories

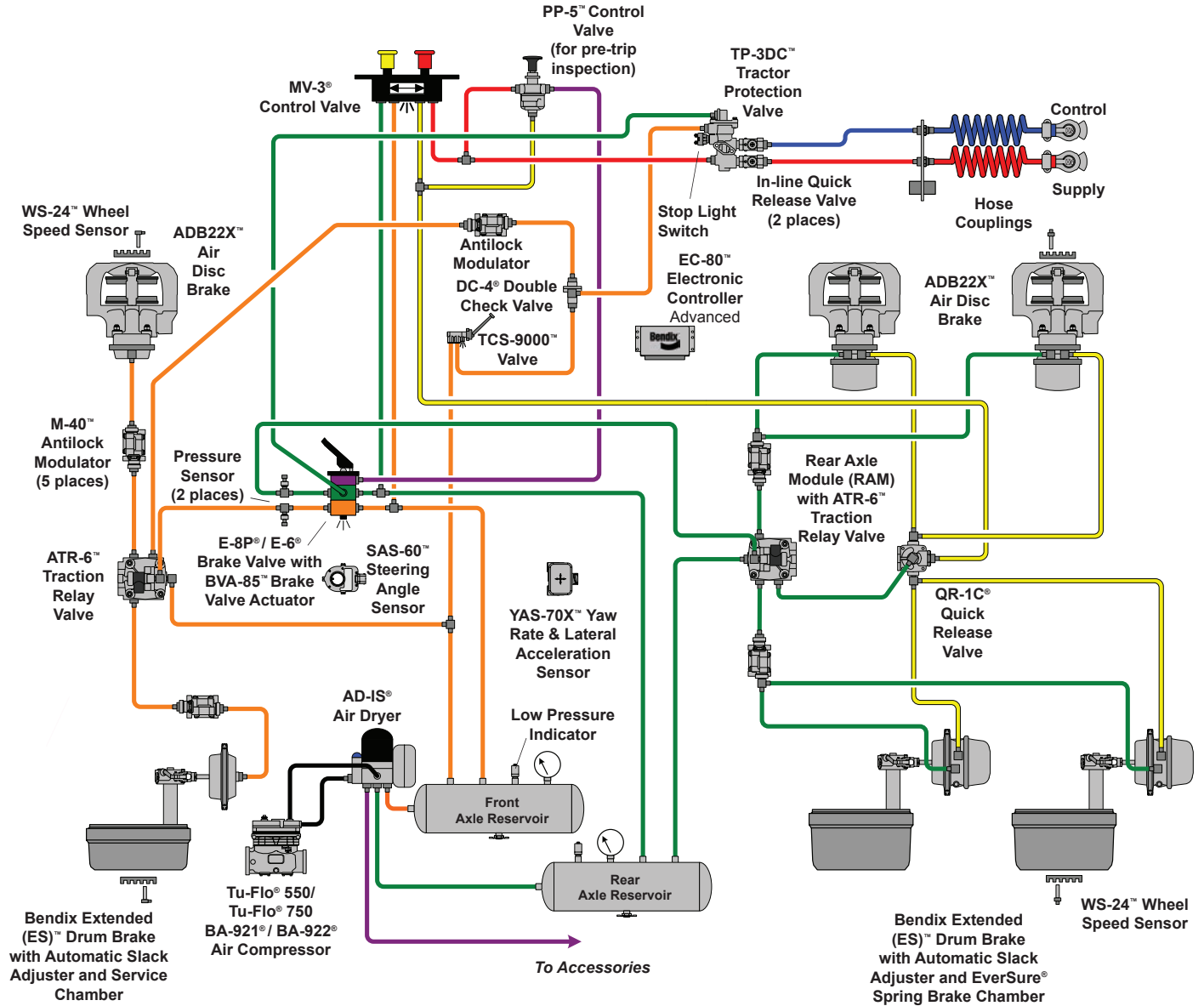
Basic Tractor System Schematic



Notes:
 The color coding of the brake system schematic follows TMC Recommended Practice #423.
 Air disc & drum brake actuation combined on a single axle are shown for pictorial purposes only.
¹ Equipped with standard Bendix® ABS Antilock Brake System
² Equipped with Bendix® ABS and Smart ATC™ Traction Control

TRUCKS AND TRUCK TRACTORS:					
■	■	■	■	■	■
Charging	Primary	Secondary	Park (Supply)	Parking (Control)	Accessories

Typical Tractor System Schematic with Bendix® ESP® Full Stability

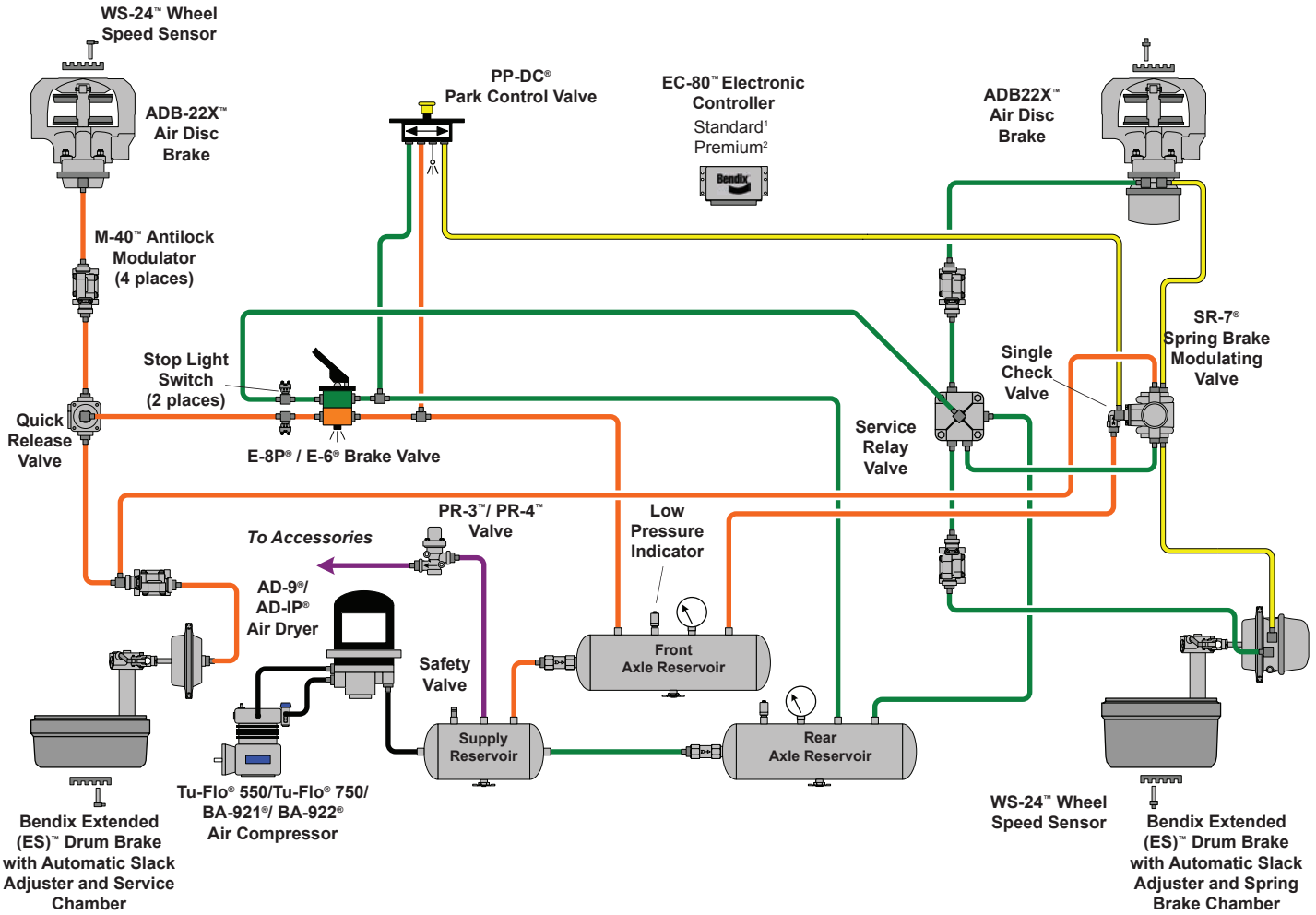


Notes:

The color coding of the brake system schematic follows TMC Recommended Practice #423.
Air disc & drum brake actuation combined on a single axle are shown for pictorial purposes only.

TRUCKS AND TRUCK TRACTORS:					
Charging	Primary	Secondary	Park (Supply)	Parking (Control)	Accessories

Typical Truck System Schematic



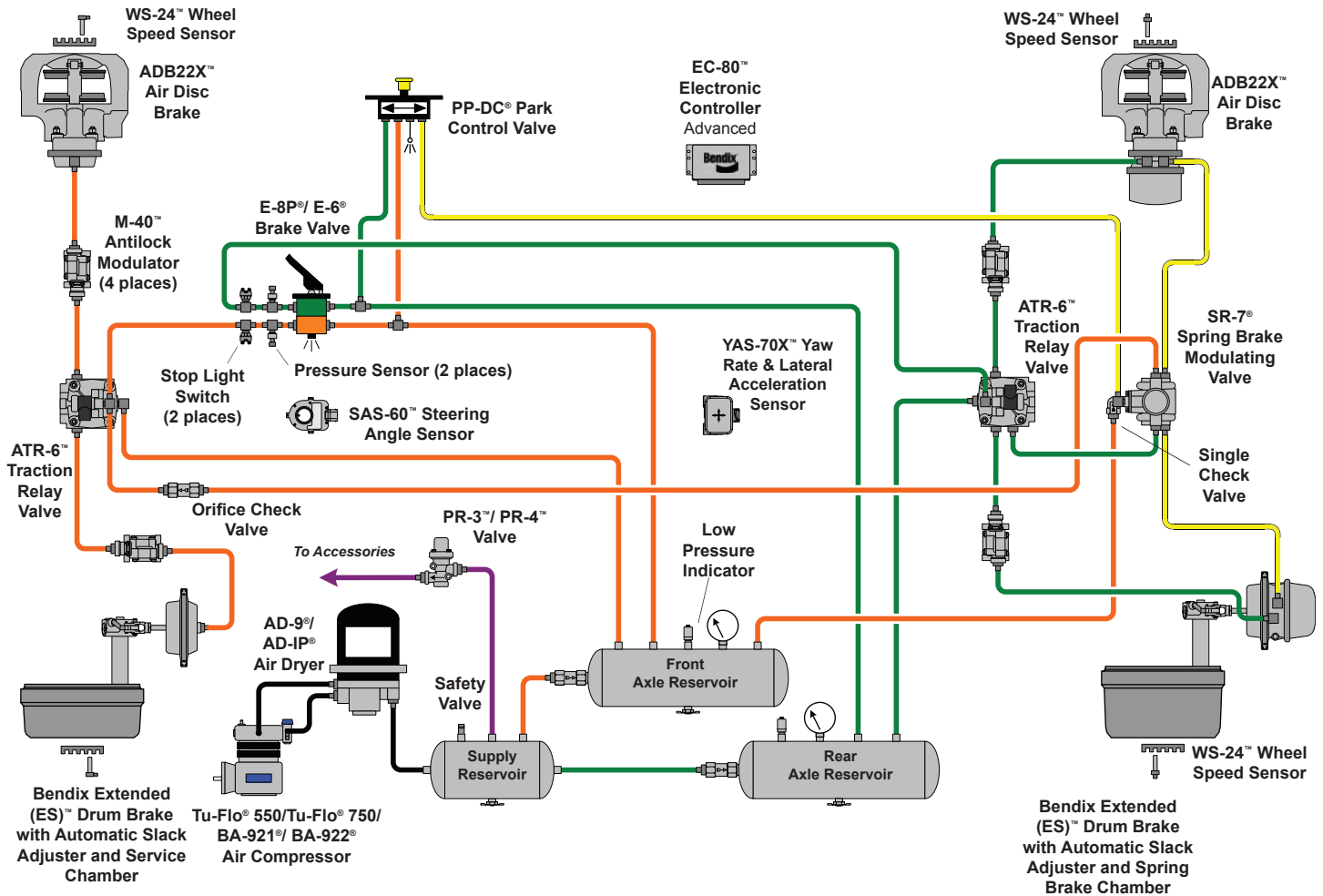
Notes:

The color coding of the brake system schematic follows TMC Recommended Practice #423.
Air disc & drum brake actuation combined on a single axle are shown for pictorial purposes only.

- ¹ Equipped with standard Bendix® ABS Antilock Brake System
- ² Equipped with Bendix® ABS and Smart ATC™ Traction Control

TRUCKS AND TRUCK TRACTORS:					
Charging	Primary	Secondary	Park (Supply)	Parking (Control)	Accessories

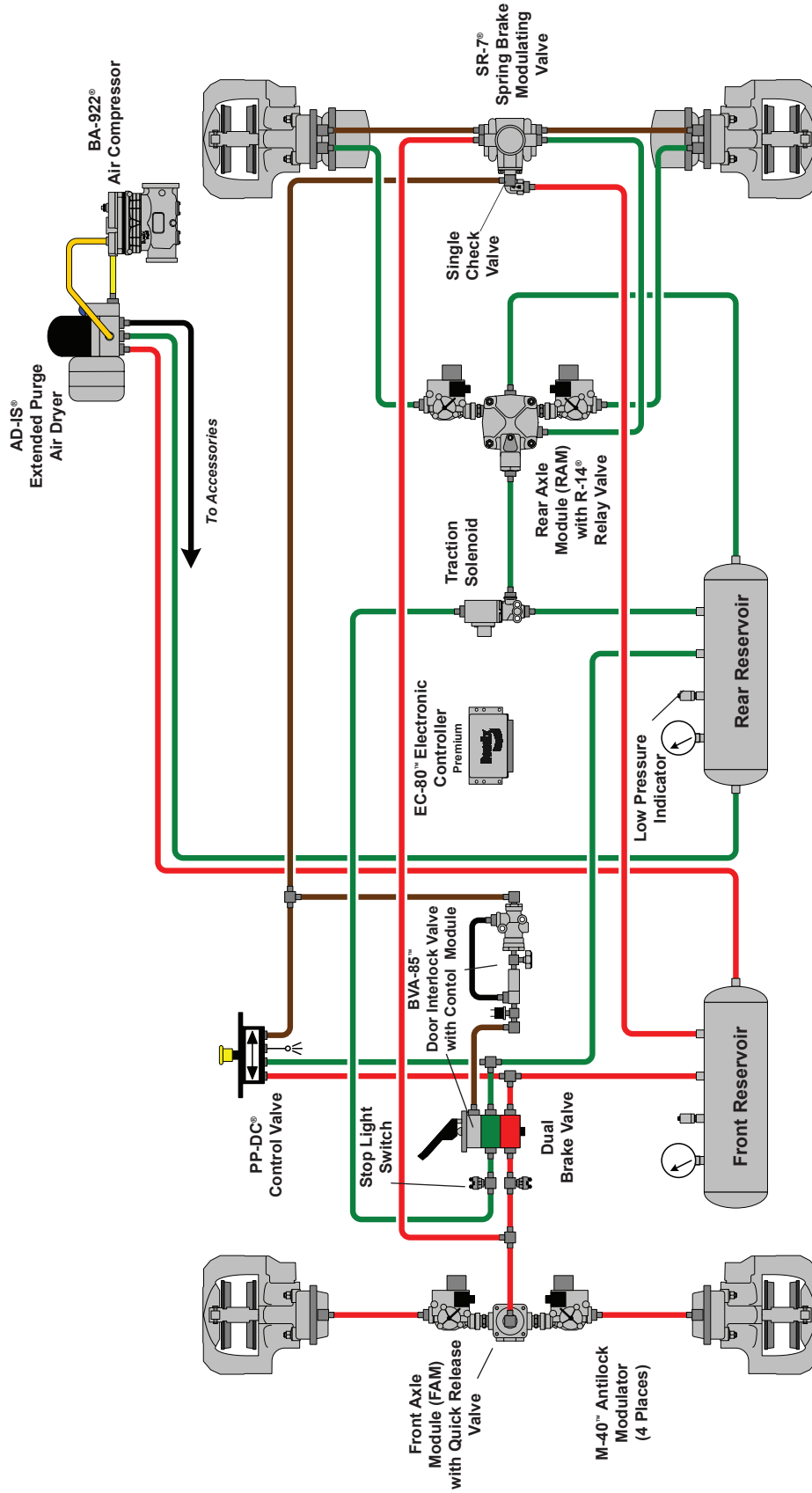
Typical Truck System Schematic with Bendix® ESP® Full Stability



Notes:
 The color coding of the brake system schematic follows TMC Recommended Practice #423.
 Air disc & drum brake actuation combined on a single axle are shown for pictorial purposes only.

TRUCKS AND TRUCK TRACTORS:					
Charging	Primary	Secondary	Park (Supply)	Parking (Control)	Accessories

Typical Coach Bus Air System Schematic



SN-7™ Air Disc Brake

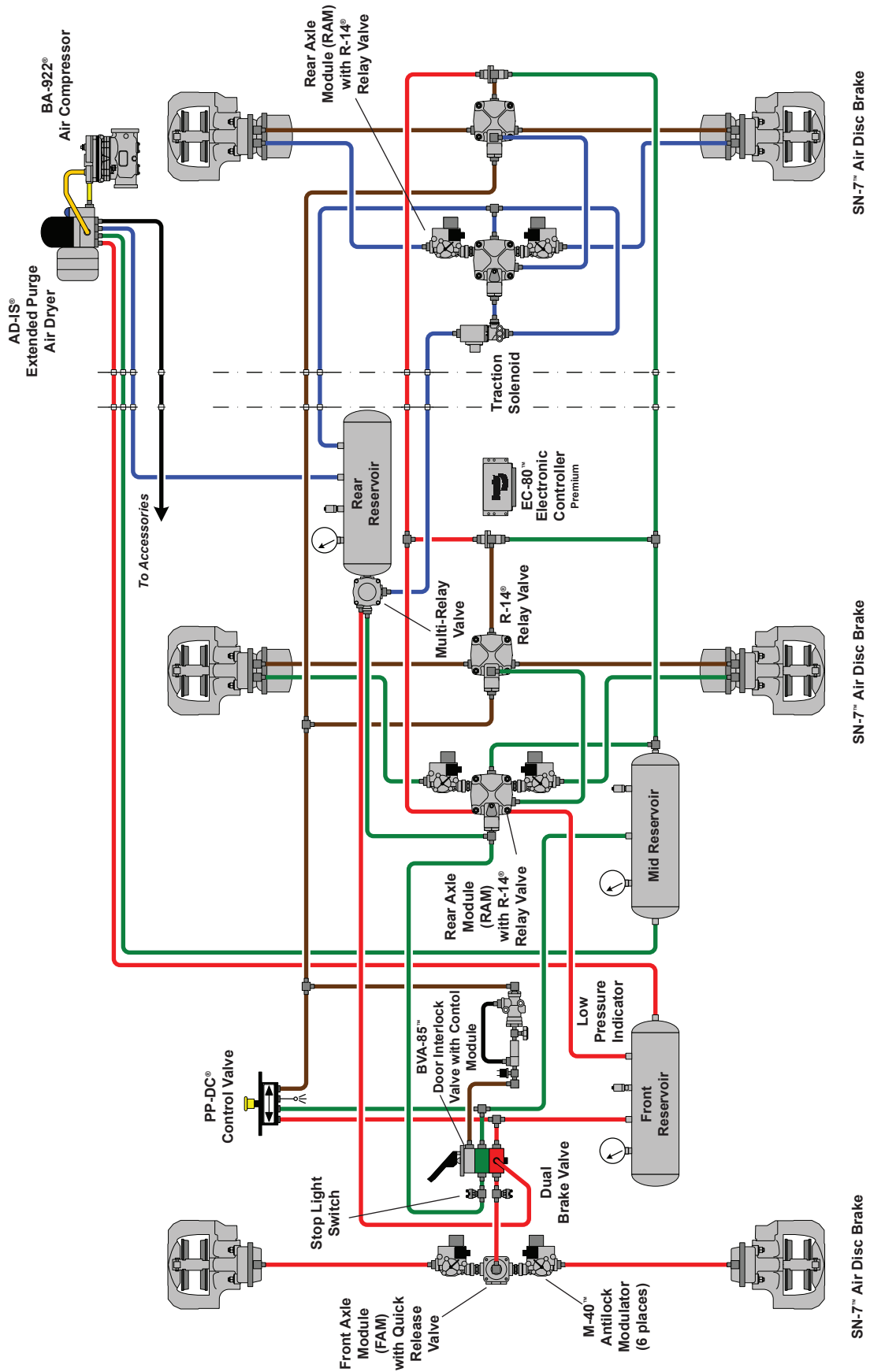
SN-7™ Air Disc Brake

COACH:

	Primary & Supply
	Secondary
	Parking
	Compressor Governor
	Accessories

Notes:
 The color coding of the brake system schematic follows APTA Recommended Practice.
 Air disc & drum brake actuation combined on a single axle are shown for pictorial purposes only.

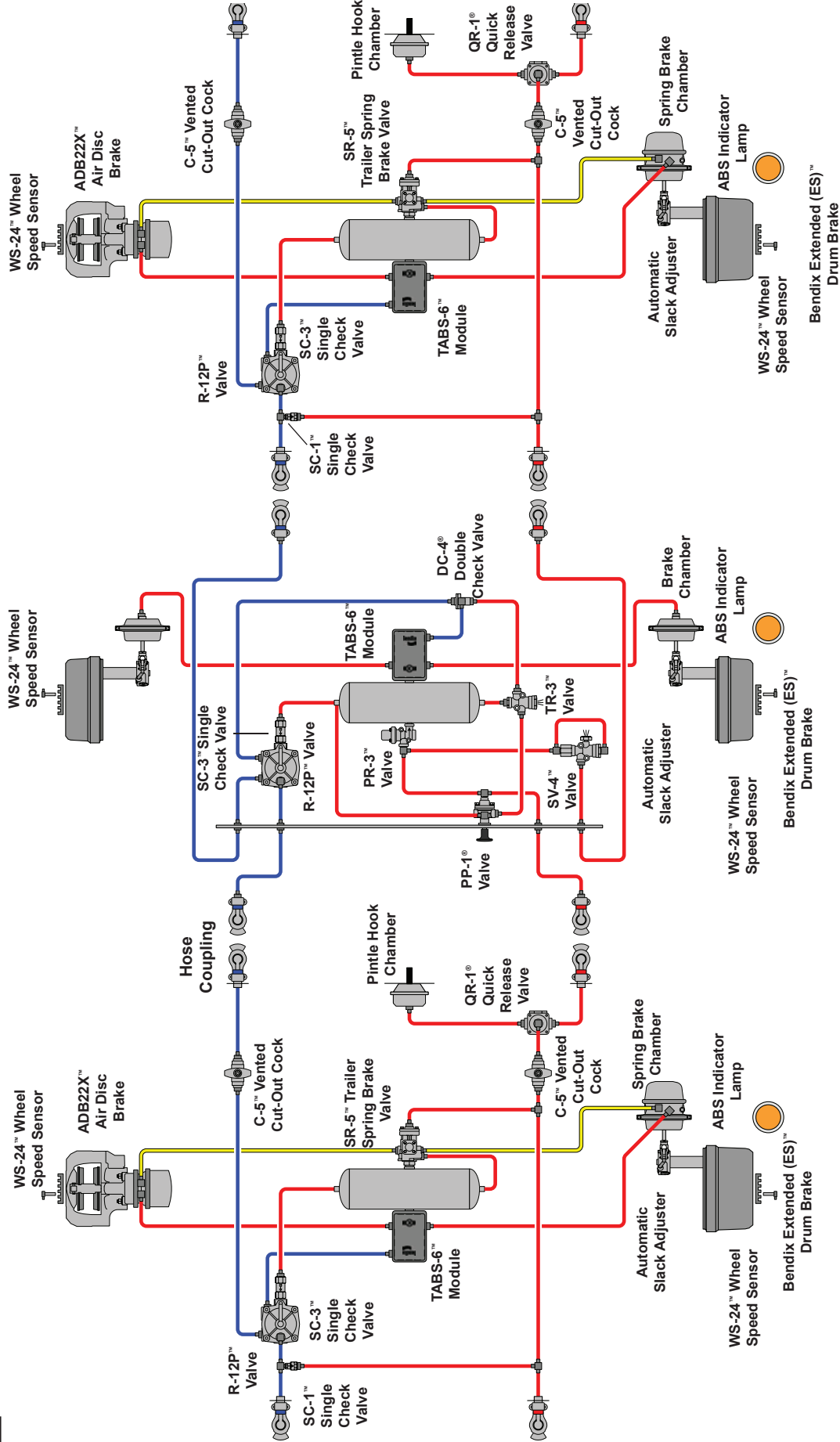
Typical Articulated Coach Bus Air System Schematic



Notes:

The color coding of the brake system schematic follows APTA Recommended Practice. Air disc & drum brake actuation combined on a single axle are shown for pictorial purposes only.

Typical Double Train

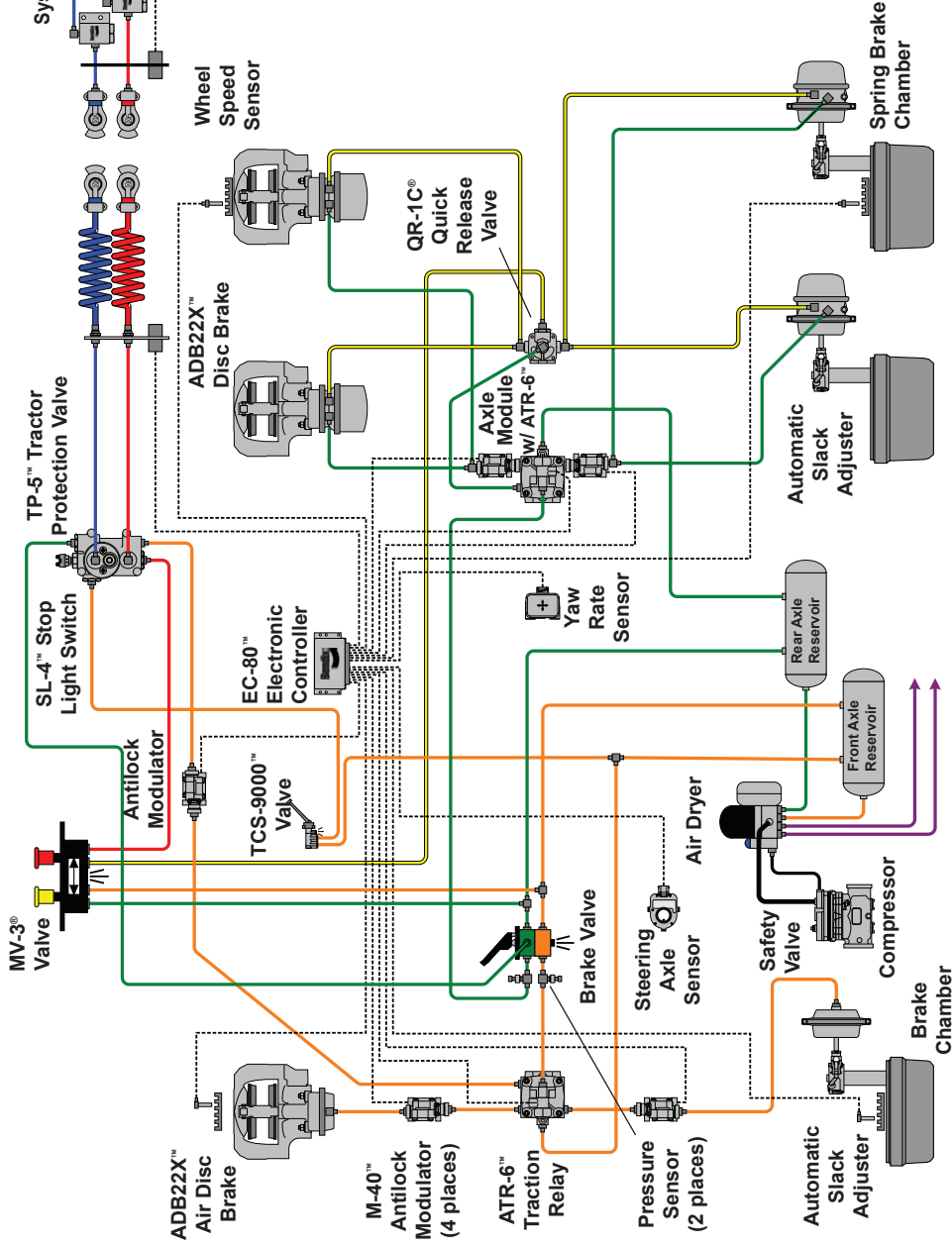


TRAILERS:

	Trailer (Supply)		Trailer (Control)		Trailer (Park)
--	------------------	--	-------------------	--	----------------

Air disc & drum brakes combined on a single axle are shown for pictorial purposes only.

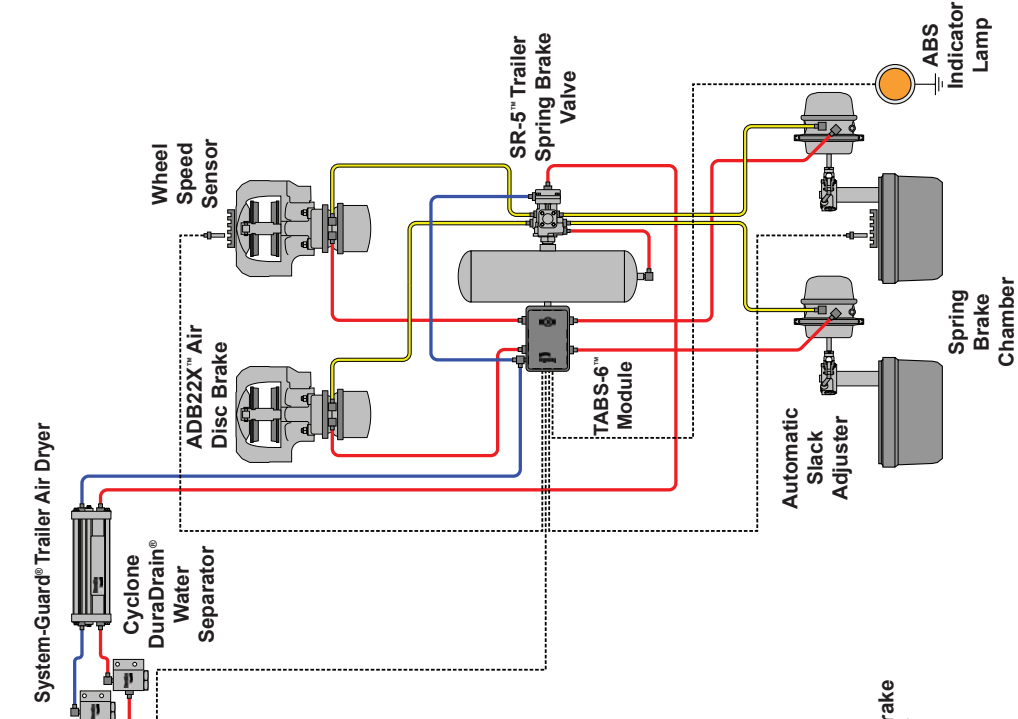
Typical Tractor System



----- Indicates electrical connection

Air disc & drum brakes combined on a single axle are shown for pictorial purposes only.

Typical Trailer System



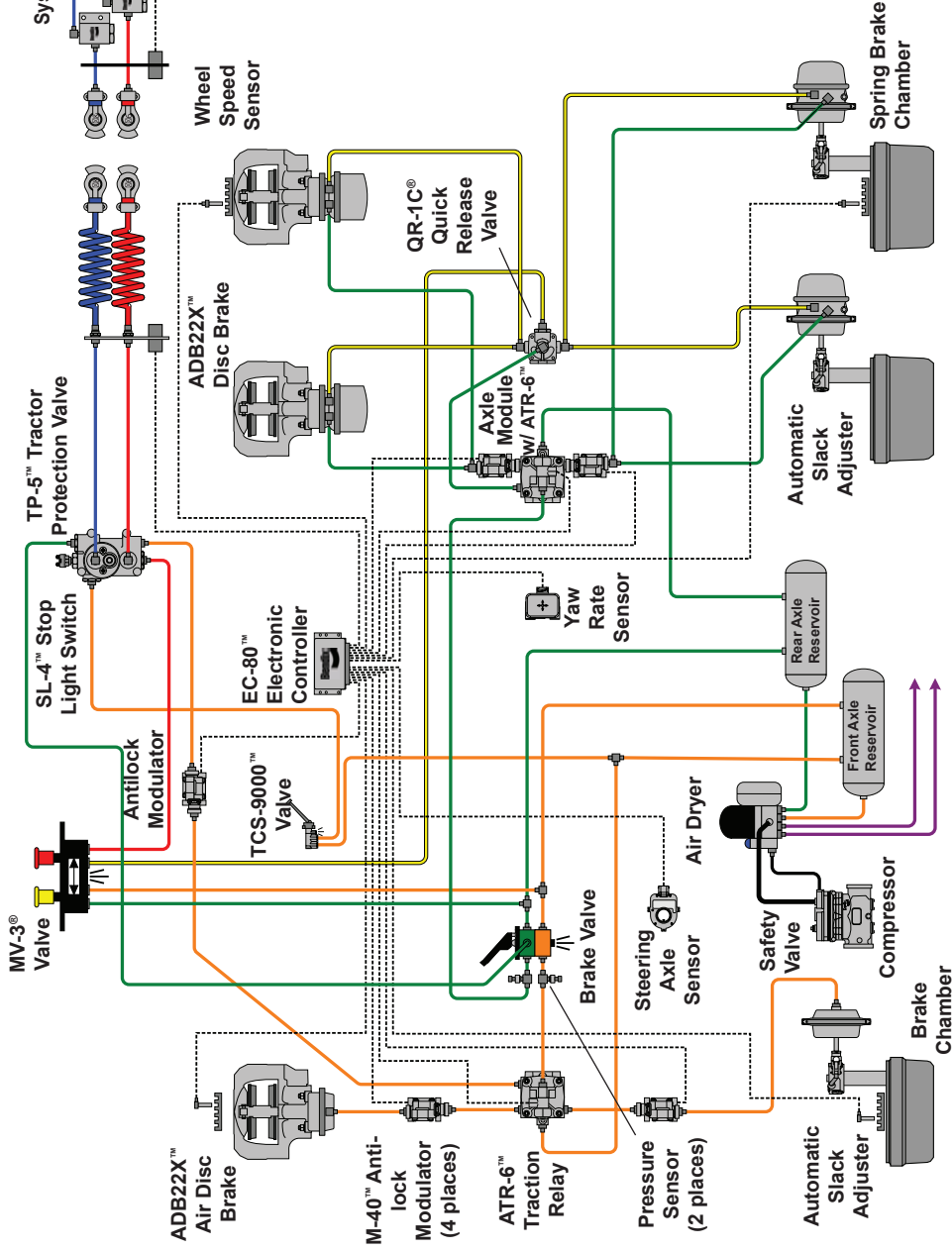
TRUCKS AND TRUCK TRACTORS:

- Charging
- Primary
- Secondary
- Park (Supply)
- Parking (Control)
- Accessories

TRAILERS:

- Trailer (Supply)
- Trailer (Control)
- Trailer (Park)

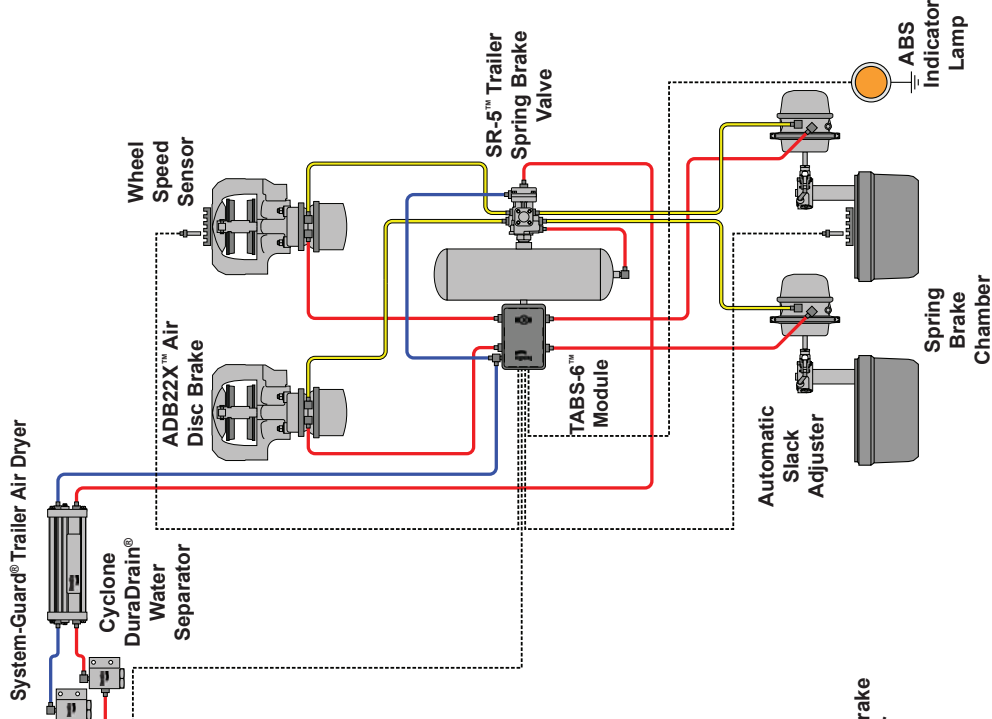
Typical Tractor System



----- Indicates electrical connection

Air disc & drum brakes combined on a single axle are shown for pictorial purposes only.

Typical Trailer System



TRUCKS AND TRUCK TRACTORS:

- Charging
- Primary
- Secondary
- Park (Supply)
- Parking (Control)
- Accessories

TRAILERS:

- Trailer (Supply)
- Trailer (Control)
- Trailer (Park)



Log-on and Learn from the Best

On-line training that's available when you are —24/7/365.

Visit www.brake-school.com.