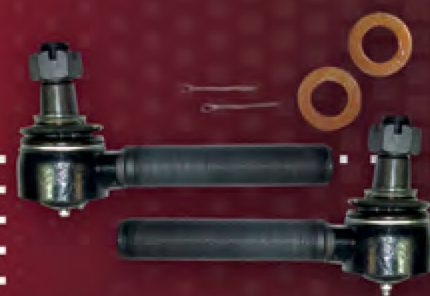




HENDRICKSON

The World Rides On It

Truck Commercial Vehicle Systems
PARTS CATALOG



Protect your investment with Hendrickson Genuine Parts

Hendrickson views education and knowledge as paramount attributes in an industry where equipment uptime is the primary metric. To facilitate these attributes, Hendrickson offers a vast array of tools to support parts and service personnel, along with do-it-yourselfers. Always use Hendrickson Genuine Parts for the best quality in the industry.

Hendrickson's website is the single point of entry to our information and educational highway. Part sell sheets, tech tips, parts lists and technical publications are only a key stroke away. With the endless and dynamic change in our industry, more complex tools are required.

Hendrickson's website offers access to lift axle and bumper configurators, Parts Look Up System (PLUS+) and online educational videos from the Hendrickson Academy. With the combination of Hendrickson genuine parts and support tools, fleets and owner-operators can perform with confidence knowing Hendrickson systems and components support their efforts to help achieve maximum uptime.

Original parts.

Original fit.

Original performance.



www.hendrickson-intl.com



**Truck Ride Solutions
& Parts Catalog Guide**

1

**Popular Kits & Parts
Front Suspension and Systems**

7

**Popular Kits & Parts
Rear Suspension Systems**

11

**Aftermarket
Product Profiles**

25

Selection Guides

49

Parts Lists

93



FRONT SUSPENSION SYSTEMS



AIRTEK®



AIRTEK® NXT



SOFTEK®



SOFTEK® NXT



STEERTEK™ NXT

STEERTEK™ NXT
High Capacity

PARASTEER™



PARASTEER™ HD

REAR SUSPENSION SYSTEMS



AR2™



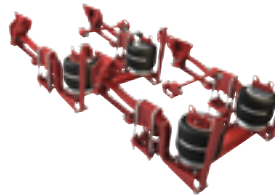
COMFORT AIR®



FIREMAAX® EX



HAS™ Single



HAS™ Tandem



HAULMAAX®



HN®



HTB® 21K



REAR
SUSPENSION SYSTEMS



HTB® LT



HTB® Mechanical



HTS™



OPTIMAAX®



PRIMAAX® EX

REAR
SUSPENSION SYSTEMS



ROADMAAX™



R™



RS™



RT™ • RTE™



ULTIMAAX®

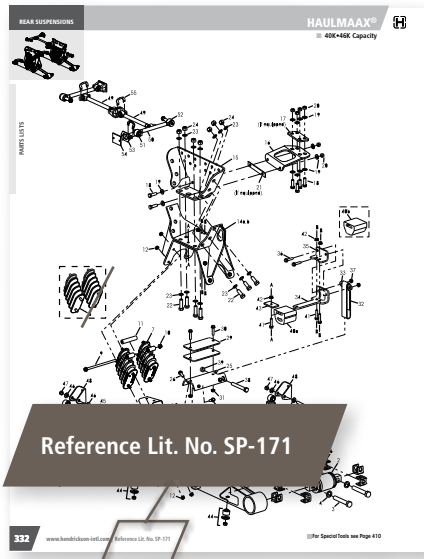


This catalog is designed to simplify the identification and selection of Hendrickson Truck Commercial Vehicle Systems genuine parts. It includes the following Hendrickson publications – Popular Kits and Parts, Product Profiles, Suspension Conversions, Selection Guides, and Parts Lists – that are also available separately online at www.hendrickson-intl.com. Follow the simple steps below to access digital downloads in PDF format or if available the printed literature.

1 LOOK at the bottom of Page for Reference Literature Number

2 CLICK the Search Key

3 ENTER the Literature Number

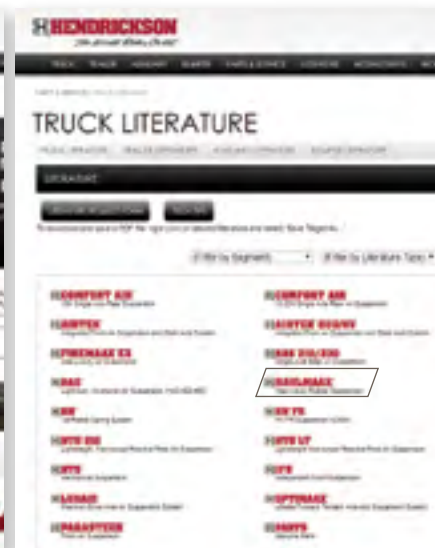
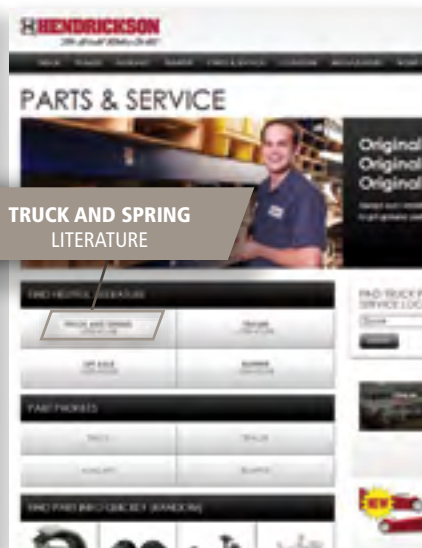
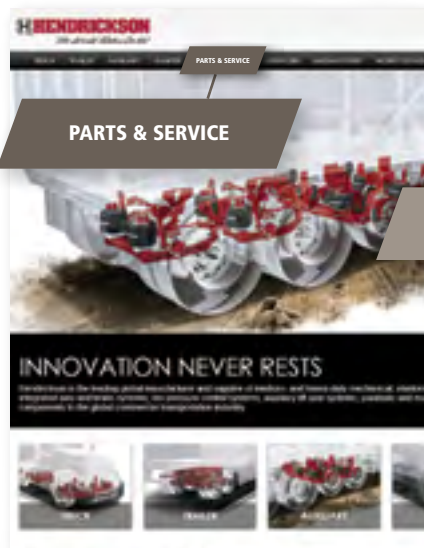


OR

1 CLICK ON Parts & Service

2 CLICK ON Truck and Spring Literature

3 SELECT Product Name



Popular Kits & Parts



Contents

FRONT Suspensions and Axle Systems	7
REAR Suspensions	11



Why Choose Hendrickson Genuine Parts?

- Hendrickson Genuine Parts are recommended when performing all maintenance or repairs to your Hendrickson suspension systems and components. Using substitute or counterfeit parts may void applicable Hendrickson or vehicle OEM warranties.
- Genuine parts ensure the design intent and performance of your Hendrickson suspension systems and components.
- Choose Hendrickson Genuine Parts for greater component life, system performance and uptime. At Hendrickson we design, model, test, validate and support our parts as an integrated system. Parts are manufactured and lab tested to exceed truck or trailer OEM expectations.
- When you choose Hendrickson Genuine Parts... you also choose industry leading product support tools education technical and sales collaboration and customer service. They are designed, tested and validated to deliver unprecedented uptime.

Original parts.
Original fit.
Original performance.





Kit Shown 64089-000L

Volvo, Mack

64089-000L 12K•12.5K

64094-000L 13.2K•14.6K

Qty.	Contents
1	HCV Mounting Bracket
1	Height Control Valve
1	Height Control Valve Linkage
2	1/4" Flat Washer
2	1/4"-20 UNC Locknut
2	M8 Nut
2	M8 Hardened Washer
2	M8 Locknut
2	M8 Stud



Kit Shown 59427-019L

Freightliner/Western Star

59427-019L LH with STEERTEK NXT

59427-034L RH with STEERTEK NXT

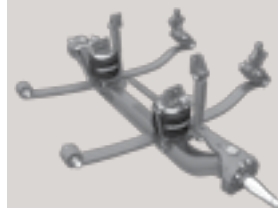
59427-005L RH with STEERTEK

Qty.	Contents
1	Height Control Valve
1	Height Control Valve Linkage
2	1/4" Flat Washer
2	1/4"-20 UNC Locknut
2	5/16"-18 UNC Nut
2	5/16" Hardened Washer
2	5/16"-18 UNC Locknut
2	5/16"-18 UNC Stud

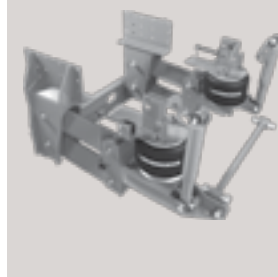
International Truck Vehicles

59427-014L Right Hand

Qty.	Contents
1	Height Control Valve
1	Height Control Valve Linkage
2	1/4" Flat Washer
2	1/4"-20 UNC Locknut
2	5/16"-18 UNC Nut
2	5/16" Hardened Washer
2	5/16"-18 UNC Locknut
2	5/16"-18 UNC Stud

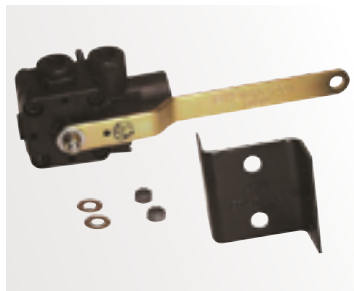


AIRTEK



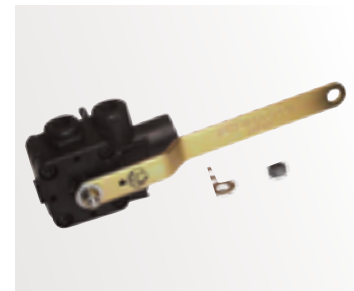
Part No.	Model
59935-002L	Freightliner • Western Star 12K • Right Hand
59935-013L	12K • Left Hand

Part No.	Model
60501-000L	Volvo, Mack, Blue Bird 12K•12.5K, 13.2K•14.6K



PARASTEER HD
57977-000 Dump Valve

Qty.	Contents
1	HCV Mounting Bracket
1	Height Control Valve
2	1/4" Hardened Washer
2	1/4"-20 UNC Locknut



AIRTEK for Blue Bird, PARASTEER
59013-000 Dump Valve

Qty.	Contents
1	Height Control Valve
2	1/4" Hardened Washer
2	1/4"-20 UNC Locknut



AIRTEK



Part Shown 60716-002



Part Shown 66349-002L

- | Part No. | OEM |
|------------|--|
| 60716-002L | Volvo, Mack 13.2K • 14.6K |
| 65790-002L | International Truck, Spartan Motorhome Chassis 12.6K•14.6K |
| 67568-002 | International IC Bus |

- | Part No. | OEM |
|------------|---|
| 60961-182 | *Volvo, Mack with Support Plate 13.2K • 14.6K |
| 64075-002L | Blue Bird 10K |
| 66349-002L | Volvo, Mack 12K•12.5K, Spartan Motorhome Chassis, 10.5K•12K |
| 69116-002L | Freightliner, Western Star, Sterling - After 2010 |
| 69782-002L | Freightliner, Western Star, Sterling - Prior to 2010 |

* Vehicles built between 03/05 and 06/07 equipped with dual height control valves MUST use air spring with support plate Service Kit No. 60961-182

Shock Absorbers



Part Shown 58913-003L

- | Part No. | OEM |
|------------|---|
| 58913-003L | Freightliner • Western Star 12K Prior to 2010 |
| 58913-012L | 12K After 2010 |
| 64838-002L | Volvo, Mack 12K•12.5K, 13.2K•14.6K |
| 64838-003L | 12K•12.5K, 13.2K•14.6K |
| 65992-001L | International Truck 12K•12.35K |

Leaf Spring Assemblies



Part Shown 59930-021

- | Part No. | Model |
|-----------------------------|--|
| AIRTEK | |
| Freightliner • Western Star | |
| 59930-021 | 12K, Set Back |
| 59930-023 | 12K LH, Coronado |
| 59930-024 | 12K RH, Coronado |
| 59930-029 | 12K LH, Century, Cascadia |
| 59930-030 | 12K RH, Century, Cascadia |
| 64772-000 | Volvo, Mack 12K-14.6K |
| 66420-000 | International Truck 12K•12.35K |
| SOFTEK | |
| 53597-000 | International Truck Lonestar • Prostar |
| Blue Bird Buses • Spartan | |
| 53626-000 | 14.6K |
| 53624-000 | 10K |



STEERTEK NXT

60961-629 One Wheel End – LH

Qty.	Contents
1	Upper Grease Cap Assembly
1	Lower Grease Cap Assembly
2	Kingpin Bushing
1	Composite Thrust Bearing
2	Kingpin Seal
2	5/8" Socket Head Cap Screw
1	Loctite Tube
1	Grease Zerk



STEERTEK NXT

60961-630 One Wheel End – RH

Qty.	Contents
1	Upper Grease Cap Assembly
1	Lower Grease Cap Assembly
2	Kingpin Bushing
1	Roller Thrust Bearing
2	Kingpin Seal
2	5/8" Socket Head Cap Screw
1	Loctite Tube
1	Grease Zerk



STEERTEK NXT

60961-628 Axle Set

Qty.	Contents
2	Upper Grease Cap Assembly
2	Lower Grease Cap Assembly
4	Kingpin Bushing
1	Composite Thrust Bearing
1	Roller Thrust Bearing
4	Kingpin Seal
4	5/8" Socket Head Cap Screw
2	Loctite Tube
2	Grease Zerk



STEERTEK NXT



STEERTEK



STEERTEK

60961-009 One Wheel End – LH

Qty.	Contents
2	Grease Cap Assembly
2	Retaining Ring
2	Kingpin Bushing
1	Composite Thrust Bearing
2	5/8" Socket Head Cap Screw
2	Kingpin Seal
1	Kingpin Shim 0.005" (Pack of 4)
1	Kingpin Shim 0.047"
1	Loctite Tube



STEERTEK

60961-039 One Wheel End – RH

Qty.	Contents
2	Grease Cap Assembly
2	Retaining Ring
2	Kingpin Bushing
1	Roller Thrust Bearing
2	5/8" Socket Head Cap Screw
2	Kingpin Seal
1	Kingpin Shim 0.005" (Pack of 4)
1	Kingpin Shim 0.047"
1	Loctite Tube



STEERTEK

60961-040 Axle Set

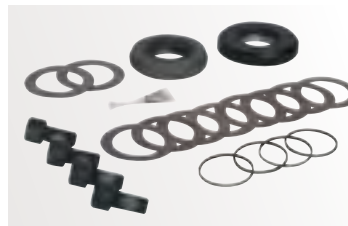
Qty.	Contents
4	Grease Cap Assembly
4	Retaining Ring
4	Kingpin Bushing
1	Composite Thrust Bearing
1	Roller Thrust Bearing
4	5/8" Socket Head Cap Screw
4	Kingpin Seal
2	Kingpin Shim 0.005" (Pack of 4)
2	Kingpin Shim 0.047"
1	Loctite Tube



STEERTEK NXT

60961-631 Axle Set, Thrust Bearing

Qty.	Contents
1	Composite Thrust Bearing
1	Roller Thrust Bearing
4	5/8" Socket Head Cap Screw
4	Kingpin Seal
2	Loctite Tube



STEERTEK

60961-043 Axle Set, Thrust Bearing

Qty.	Contents
1	Composite Thrust Bearing
1	Roller Thrust Bearing
4	5/8" Socket Head Cap Screw
4	Kingpin Seal
2	Kingpin Shim 0.005" (Pack of 4)
2	Kingpin Shim 0.047"
1	Loctite Tube



STEERTEK NXT



STEERTEK



Straight Tie Rods
1 1/8" Threads

60961-734 Axle Set

Qty.	Contents
1	Left Hand Tie Rod End
1	Right Hand Tie Rod End
2	7/8" Hardened Washer
2	Cotter Pin

60961-736 Left Hand

Qty.	Contents
1	Left Hand Tie Rod End
1	7/8" Hardened Washer
1	Cotter Pin

60961-741 Right Hand

Qty.	Contents
1	Right Hand Tie Rod End
1	7/8" Hardened Washer
1	Cotter Pin



Straight Tie Rods
1 1/4" Threads

60961-735 Axle Set

Qty.	Contents
1	Left Hand Tie Rod End
1	Right Hand Tie Rod End
2	7/8" Hardened Washer
2	Cotter Pin

60961-742 Left Hand

Qty.	Contents
1	Left Hand Tie Rod End
1	7/8" Hardened Washer
1	Cotter Pin

60961-743 Right Hand

Qty.	Contents
1	Right Hand Tie Rod End
1	7/8" Hardened Washer
1	Cotter Pin



Drop Tie Rods
1 1/4" Threads

60961-737 Axle Set

Qty.	Contents
1	Left Hand Tie Rod End
1	Right Hand Tie Rod End
2	7/8" Hardened Washer
2	Cotter Pin

60961-739 Left Hand

Qty.	Contents
1	Left Hand Tie Rod End
1	7/8" Hardened Washer
1	Cotter Pin

60961-740 Right Hand

Qty.	Contents
1	Right Hand Tie Rod End
1	7/8" Hardened Washer
1	Cotter Pin



Straight Tie Rods
1 1/4" Threads

60961-011 Axle Set

Qty.	Contents
1	Left Hand Tie Rod End
1	Right Hand Tie Rod End
2	7/8" Hardened Washer
2	Cotter Pin

60961-027 Left Hand

Qty.	Contents
1	Left Hand Tie Rod End
1	7/8" Hardened Washer
1	Cotter Pin

60961-028 Right Hand

Qty.	Contents
1	Right Hand Tie Rod End
1	7/8" Hardened Washer
1	Cotter Pin

TIE ROD ASSEMBLIES

Straight Tie Rods



1 1/8" Threads

76877-002

76877-003

76877-006

1 1/4" Threads

76879-002

Drop Tie Rod



1 1/4" Threads

76878-001

*Refer to Tie Rod Technical Bulletin SEU-0223 for additional part number information.



Part Shown 49048-002L

Part No.	*Model
	HAS
49048-002L	36K•40K
	PRIMAAX EX•FIREMAAX EX
67391-002	23KT•46KT•69KT 26KST•52KST•78KST
	PRIMAAX • FIREMAAX
69153-002	260•520•780



Part Shown 50405-002L

Part No.	**Model
	COMFORT AIR
65086-002L	Hino
	HAS
50405-002L	46K
50898-002L	40K LH
50899-002L	21K•23K•40K•46K 40K LH with Mack Logo
56917-002L	Low Profile 15K•19K•21K•23K•40K
57122-002L	19K•21K•23K•40K•46K
57920-002L	Low Profile 12K
58520-002L	21K•23K•40K•46K 40K LH Metric Stud
64489-002	Metric Stud with Mack Logo
64651-002	with Mack Logo

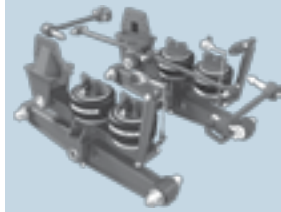


Part Shown 60271-002L

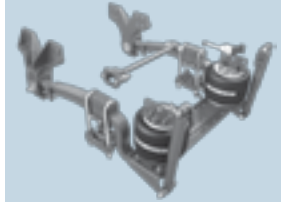
Part No.	*Model
	HTB
66643-002L	International Truck Vehicles, Spartan Motorhome Chassis
	Maxair • AL 405
64917-002L	with Hendrickson logo
	PRIMAAX EX•FIREMAAX EX
67247-002L	26K•52K•78K 26KS•52KS•78KS
	PRIMAAX • FIREMAAX
60271-002L	230•460•690

* Air spring only.

** Includes upper air spring bracket and fasteners. Brackets may vary.



AR2



COMFORT AIR



HAS

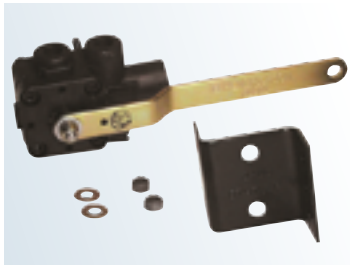


HTB



PRIMAAX EX
FIREMAAX EX

Height Control Valves



AR2•FIREMAAX EX•HAS•HTB
PRIMAAX EX

57977-000 Dump Valve

Qty.	Contents
1	HCV Mounting Bracket
1	Height Control Valve
2	¼" Hardened Washer
2	¼"-20 UNC Locknut



COMFORT AIR

59013-000 Dump Valve

Qty.	Contents
1	Height Control Valve
2	¼" Hardened Washer
2	¼"-20 UNC Locknut



Part No. Model

59899-000	HAS
59935-000	HAS
60501-000L	HAS•COMFORT AIR



Universal Valve

60826-000 Non-Dump Valve

Qty.	Contents
1	HCV Mounting Bracket
1	Height Control Valve
2	¼" Flat Washer
2	¼"-20 UNC Locknut
1	Locating Pin

NOTE: Replaces both the 50433-001 and 50433-002.



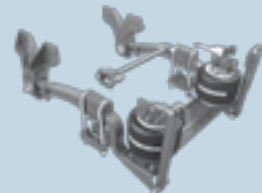
**PRIMAAX EX
FIREMAAX EX**



HAULMAAX



HN



COMFORT AIR



HAS



Part Shown 60675-001L

Part No.	Model
	PRIMAAX EX • FIREMAAX EX PRIMAAX • FIREMAAX
60657-003L	8½", 10" Ride Height
60657-005L	Kenworth Tridem
60657-007L	Volvo
60665-011	12½", 14", 15½" Ride Ht.
60665-015	Disc Brake Applications



Part Shown 60675-001L

Part No.	Model
	HAS
60670-003L	15K Low Profile
60670-005L	19K-46K
60670-006	19K-46K
60670-007L	40K•46K Inboard Standard
	HAS HI-TORQUE™
60675-001L	19K•23K•40K•46K Volvo/Mack
60675-002L	21K•40K•46K
60675-003L	19K•21K•23K
60675-005L	40K•46K
60675-006L	40K•46K, Inboard
	COMFORT AIR
60670-014	For Hino
60998-003	Blue Bird



Part Shown 60680-003L

Part No.	Model
57241-006L	AL405
60680-003L	HN
	HAULMAAX
60680-004L	16½" Saddle Ht.
60680-005L	17½"•18½" Saddle Ht.

Main Support Members



Part Shown 58691-000

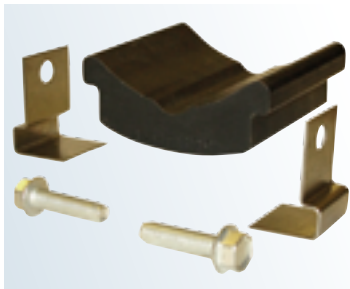
Part No.	Rear Model
58691-000	Left Hand AL405 / Maxair
58768-000	Right Hand AL405 / Maxair
60262-000	HAS 40LH Mack Only
60779-000	COMFORT AIR
65106-001	COMFORT AIR Hino



Part Shown 56946-000

Part No.	Model	Thickness
57217-000	HAS 40K LH	1.75"
56940-000	HAS 19K•36K	1.75"
56943-000	HAS 21K•40K	1.88"
56871-001	HAS 40K	1.88"
56946-000	HAS 23K•40K•46K	2.00"
56934-000	HAS 40K•46K LP	2.00"
48645-001	HAS 46K	2.38"
49175-024	HAS 46K Severe Service Kit	2.00"

*Refer to Tie Rod Technical Bulletin SEU-0223 for additional part number information.



Kit Shown 56557-004

56557-001 One Hanger

56557-002 One Hanger

Qty.	Contents
1	Slipper Pad
2	Retainer Plate
4	3/8" Rolok Screw – 1 1/2"

56557-004 One Hanger

Qty.	Contents
1	Slipper Pad
2	Retainer Clip
2	3/8" Rolok Screw – 1 1/2"

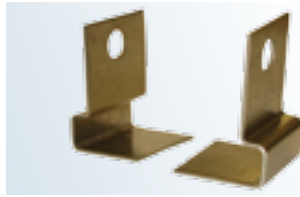
56557-005 One Hanger

Qty.	Contents
1	Slipper Pad
2	Slipper Pad Lock Pin – 1"



Part Shown 56929-000

Part No.	Description
50612-000	Universal Frame Hanger
56929-000	Integrated



Part No.	Description
57566-000	HAS Retainer Clip



Part No.	Description
57989-000	HAS Rebound Roller



Part Shown 56563-000

Part No.	Description
56562-000	6" LH Front/LH Rear
56563-000	6" RH Front/RH Rear



Part No.	Description
48902-000	1" Spacer
48903-000	1.5" Spacer



HAS

D-Pin Bushings



Single

34013-117 4 3/4" Bolt Length

34013-107 5" Bolt Length

34013-116 5 1/2" Bolt Length

Qty.	Contents
1	D-Pin Bushing Assembly
2	3/4"-16 UNF Bolt
4	3/4" Flat Washer
2	3/4"-16 UNF Locknut



Axle Set

56659-012 4 3/4" Bolt Length

56659-009 5" Bolt Length

56659-013 5 1/2" Bolt Length

Qty.	Contents
4	3/4"-16 UNF Bolt
8	3/4" Flat Washer
4	3/4"-16 UNF Locknut



PRIMAAX EX
FIREMAAX EX



PRIMAAX EX
FIREMAAX EX



COMFORT AIR

PRIMAAX EX • FIREMAAX EX



Kit Shown 60632-020

60632-020 Axle Set

60961-720 One Wheel End

Qty.	Contents
2	Eccentric Collar
2	Concentric Collar
2	1"-14 UNF x 7½" Bolt
4	1" Hardened Washer
2	1"-14 UNF Locknut
2	Pivot Bushing
2	P-80 Bushing Lubricant – 10 ml.



60632-019 One Wheel End

Qty.	Contents
1	Eccentric Collar
1	Concentric Collar
1	1"-14 UNF x 7½" Bolt
2	1" Hardened Washer
1	1"-14 UNF Locknut



60632-018 One Wheel End

Qty.	Contents
1	1"-14 UNF x 7½" Bolt
2	1" Hardened Washer
1	1"-14 UNF Locknut

COMFORT AIR



60632-013 Axle Set

Qty.	Contents
1	Eccentric Collar
3	Concentric Collar
2	7/8"-9 UNC x 7½" Bolt
4	7/8" Hardened Washer
2	7/8"-9 UNC Locknut

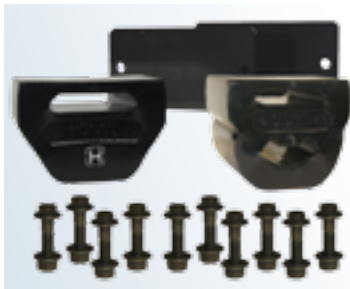


34013-103 One Wheel End

Qty.	Contents
1	Pivot Bushing
2	Plastic Isolator Puck
1	1"-14 UNF x 7½" Bolt
2	1" Hardened Washer
1	1"-14 UNF Locknut
1	P-80 Bushing Lubricant - 10 ml.



Part No.	Description
58648-000	Pivot Bushing



HAULMAAX 40K•46K

60961-746 Weight Bias

Qty.	Contents
1	Progressive Load Spring
1	Auxiliary Load Spring
10	½"-13 UNC x 2¼" Flange Bolt
10	½"-13 UNC Flange Nut
2	Load Spring Shim – 0.25"



HAULMAAX 40K•46K

60961-747 Tandem Set

Qty.	Contents
2	Progressive Load Spring
6	½"-13 UNC x 2¼" Flange Bolt
6	½"-13 UNC Flange Nut



HN 40K•46K•52K

Part No.	Model
60314-000	After Nov. 2000
58947-000	Sept. 1998 to Nov. 2000



HAULMAAX



HN



HAULMAAX 40K•46K

Part No.	Model
60791-000	Load Spring Shim – 0.25"



HAULMAAX 40K•46K – Prior to 7/14

64179-004 One Side

Qty.	Contents
1	Auxiliary Load Spring
3	½"-13 UNC x 2¼" Flange Bolt
3	½"-13 UNC Flange Nut



Part No.	Model
57878-003	HAULMAAX • HN

REBOUND STRAP

BOLSTER SPRINGS



HAULMAAX 40K•46K

60961-712 One Side

Qty.	Contents
2	Tie-bar Bolster Spring Kit
1	Progressive Load Spring Kit



HAULMAAX 40K•46K

64179-048 One Set

Qty.	Contents
2	Tie-bar Bolster Springs
1	Tie-bar Bolster Spring Spacer
1	Wear Plate
1	½"-13 UNC x 10" Flange Bolt
9	½"-13 UNC Flange Nut
1	Tie-bar Assembly Instructions



HN 40K•46K•52K

Part No.	Model
60879-000L	One Set Vehicles Built 02/96 to Current

Part No.	Model
64718-000L	One Set Vehicles Built 11/88 to 02/96

Qty.	Contents
2	Bolster Springs



EQUALIZING BEAM & COMPONENTS

BRONZE CENTER BUSHINGS



Kit Shown 30437-000L

30436-000L Two Beams, 34K

30437-000L Two Beams, 38K-52K

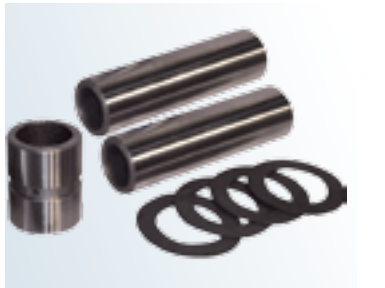
45374-000 Two Beams, 65K

- Qty. Contents**
- 2 Bronze Center Bushing
 - 2 Beam Center Sleeve
 - 4 Beam Center Seal
 - 8 Thrust Washer
 - 2 Grease Fitting



34013-054L One Beam, 38K-52K

- Qty. Contents**
- 1 Bronze Center Bushing
 - 1 Beam Center Sleeve
 - 2 Beam Center Seal
 - 4 Thrust Washer
 - 1 Grease Fitting



33742-000 One Beam, 52K

- Qty. Contents**
- 1 Bronze Center Bushing
 - 2 Beam Center Sleeve
 - 4 Thrust Washer



Part No.	Capacity
30240-001	34K
30240-002L	38K-52K
30240-005	65K

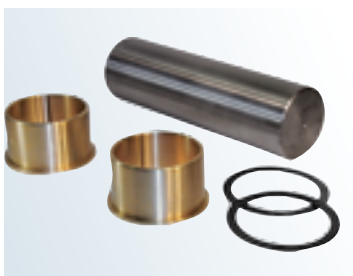


Part No.	Capacity
03415-000	60K



34013-079 One Beam, 60K
• 4" I.D. Bushing ¼" Lip - Hollow Sleeve

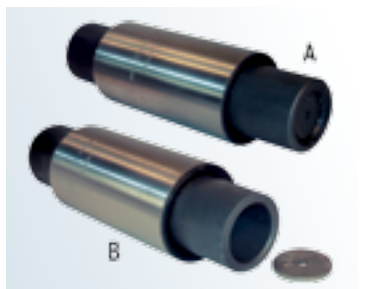
- Qty. Contents**
- 2 Bronze Center Bushing
 - 1 Beam Center Sleeve
 - 2 Thrust Washer



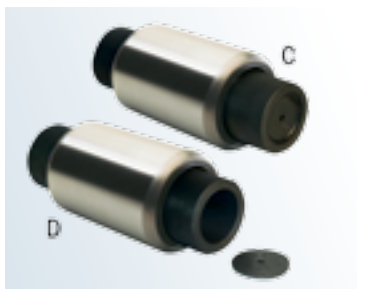
34013-078 One Beam, 60K
• 4" I.D. Bushing ¼" Lip - Solid Sleeve

- Qty. Contents**
- 2 Bronze Center Bushing
 - 1 Beam Center Sleeve
 - 2 Thrust Washer

RUBBER CENTER BUSHINGS



Part No.	Capacity
A: 06664-000L	34K Welded Plug
05919-000L	38K Welded Plug
29483-005L	38K-52K Welded Plug
B: 22279-000L	34K Loose Plug
22282-000L	38K Loose Plug
34013-097L	38K-52K Loose Plug



Part No.	High Confinement
C: 49400-000L	40K Welded Plug
D: 49600-000L	40K Loose Plug



Part No.	Capacity
10366-000L	65K
15464-000	85K
14110-000L	100K
47420-000	HFS•E4

Refer to Equalizing Beam and Components Selection Guide 45745-147 for additional part number information.



ADAPTER STYLE END BUSHINGS



Kit Shown 34013-049L

End Bushing and Adapter Kits One Wheel End

34013-048L 34K

Qty.	Contents
1	06969-000 End Bushing
1	45000-013L Adapter Kit

34013-049L 44K

Qty.	Contents
1	45900-000 End Bushing
1	45000-007L Adapter Kit

34013-073L 46K

Qty.	Contents
1	45900-000 End Bushing
1	21140-034L Adapter Kit

34013-050L 48K-52K

Qty.	Contents
1	29878-001 End Bushing
1	21140-034L Adapter Kit

34013-051L 52K

Qty.	Contents
1	45407-000 End Bushing
1	21140-033L Adapter Kit



Part Shown 45900-000L

Rubber End Bushings

Part No.	Capacity	Length
47421-000	34K-60K	3 1/8"
06966-000L	28K	5 1/4"
06969-000L	34K	5 1/4"
45900-000L	46K	5 3/4"
29878-001L	48K-52K	5 3/4"
45407-000L	52K	6"
10363-000L	65K	6"
10364-000	85K	7"
15424-000L	100K	7 3/4"



Kit Shown 45000-007L

Adapter Kits One Wheel End

Kit No. Capacity Bolt Length

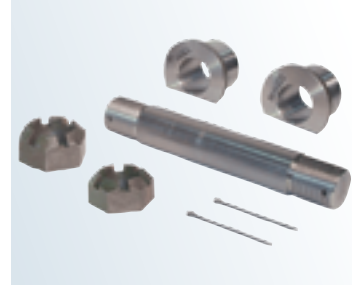
45000-013L 34K 6"

21140-034L 46K 10 1/2"

45000-007L 44K 6 1/2"

21140-033L 52K 11"

Qty.	Contents
2	Beam End Adapter
1	Adapter Tube
1	Bolt
2	Hardened Washer
1	Locknut



Kit Shown 21140-007

Adapter Kits One Wheel End

21140-007 65K

34013-052L 65K-85K • 6" Bushing

Qty.	Contents
2	Beam End Adapter
1	Beam End Shaft
2	1 7/8"-12 UNF Slotted Nut
2	Cotter Pin

34013-110L 65K-85K • 7" Bushing

21140-004 85K

Qty.	Contents
2	Beam End Adapter
1	Beam End Shaft
2	1 7/8"-12 UNF Slotted Nut
2	Cotter Pin
1	Thrust Washer

21140-027 65K

21140-026 65K-85K

21140-024 100K-120K

Qty.	Contents
2	Beam End Adapter
1	Beam End Shaft
2	1 7/8"-12 UNF Slotted Nut
2	Cotter Pin
1	Thrust Washer
1	Adapter Tube



Part Shown 21140-006

Tube and Nut Kits One Wheel End

21140-006 65K

34013-072 65K-70K • 6" Bushing

Qty.	Contents
1	Beam Hanger Tube
2	Beam Hanger Tube Nut
4	Cotter Pin



EQUALIZING BEAM & COMPONENTS

Refer to Equalizing Beam and Components Selection Guide 45745-147 for additional part number information.



EQUALIZING BEAM & COMPONENTS

BAR PIN END BUSHINGS



34013-088L One Beam End

Qty.	Contents
1	Bar Pin End Bushing (Shim)
2	Bar Pin Shim 0.25" x 0.12"
2	1"-8 UNC x 6" Hex Bolt
4	1" Hardened Washer
2	1"-8 UNC Locknut



34013-188L One Beam End

Qty.	Contents
1	Bar Pin End Bushing Rotating (Shim)
2	Bar Pin Shim 0.25" x 0.12"
2	1"-8 UNC x 6" Hex Bolt
4	1" Hardened Washer
2	1"-8 UNC Locknut



34013-087L One Beam End

Qty.	Contents
1	Bar Pin End Bushing (Non-Shim)
2	1"-8 UNC x 6" Hex Bolt
4	1" Hardened Washer
2	1"-8 UNC Locknut



34013-104 One Beam End

56659-005 Two Beam Ends

56659-001 Vehicle Set

Qty.	Contents
2	1"-8 UNC x 6" Hex Bolt
4	1" Hardened Washer
2	1"-8 UNC Locknut



Part Shown 50131-000

Bar Pin Shim

Part No.	Model
50131-000	0.25" x 0.12"
50130-000	0.19" / 0.19"
57026-000	0.375" Flat Shim

EQUALIZING BEAM WITH ROTATING BAR PIN BUSHINGS



HAULMAAX

Production Part No.	Description	NEW Serv. Part No.
64846-001	54" with Shock Bracket	080225-001
64847-001 and 64847-004	54" without Shock Bracket	080226-001



HN

Production Part No.	Beam Width	NEW Serv. Part No.
58494-002	54"	080227-002
57889-008	52"	080228-008



R•RS•RT•RTE with Bronze Center Bushing

Production Part No.	Beam Width	NEW Serv. Part No.
50501-017	54"	080476-017
50501-015	52"	080476-015

Refer to Equalizing Beam and Components Selection Guide 45745-147 for additional part number information.



Part Shown 47057-000

Spring Assemblies

Part No.	Model
45027-000	RT 40K
47057-000	RT 46K-52K
02056-000	RT 65K
57961-000	RT 65K



Kit Shown 29828-023

29828-023 One Hanger, 34K-52K

29828-033 One Hanger, 65K-70K

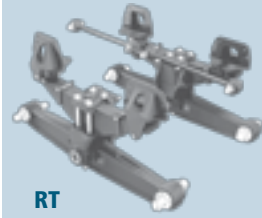
Qty.	Contents
1	Rebound Bolt Spacer
1	13 UNC 6½" Bolt
2	Hardened Washer
1	13 UNC Locknut



Kit Shown 29828-034L

29828-034 Vehicle Set, 34K-52K

Qty.	Contents
2	Rebound Bolt Spacer
2	Spring Hanger Pin
2	Grease Zerk
2	½"-13 UNC x 6½" Bolt
4	½"-13 UNC x 4" Bolt
12	½" Hardened Washer
6	½"-13 UNC Locknut



RT



RTE



Part Shown 45322-000

Spring Assemblies

Part No.	Model
45121-000	RTE 40K
45322-000	RTE 46K•48K•50K



29828-035L One Hanger, 34K-52K

Qty.	Contents
2	½"-13 UNC x 4" Bolt
4	½" Hardened Washer
2	½"-13 UNC Locknut

29828-032 Vehicle Set, 65K-70K

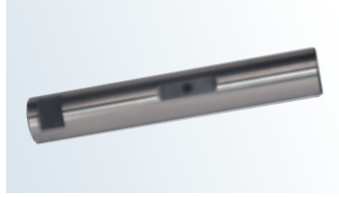
Qty.	Contents
2	Rebound Bolt Spacer
2	Spring Hanger Pin
2	Grease Zerk
2	¾-16 UNF x 6½" Hex Bolt
2	¾" Flat Washer
2	¾-16 UNF Locknut
4	½"-13 UNC x 4" Bolt
8	½" Hardened Washer
4	½"-13 UNC Locknut



Part Shown 30057-007L

Spring Eye Bushings

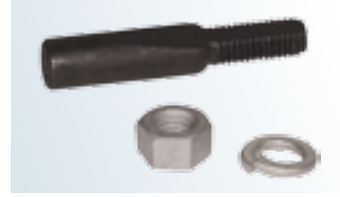
Part No.	Capacity	I.D.
30057-007L	34K	1¼"
30057-008L	40K-52K	1¾"
22285-000	65K	1½"



Part Shown 43146-000L

Spring Hanger Pins

Part No.	Capacity	Dia.
43146-000L	34K-52K Double Lock	1⅝"
45797-000	65K-70K Double Lock	1½"
00005-000	65K-70K Draw Key Lock	1½"



00062-001L One Hanger

Qty.	Contents
1	Spring Hanger Draw Key
1	½" Lockwasher
1	½"-13 UNC Hex Nut

SADDLE ASSEMBLIES

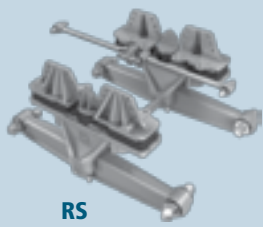


Part Shown 31017-096L

Part No.	Capacity	Height
31017-022L	34K•40K	6"
31017-109L	34K•40K	7⅜"
31017-096L	46K	6"
31017-110L	46K	7⅜"
31017-053	48K•52K – RT Only	6"
31017-077	48K•52K	7⅜"
31017-004	65K	7⅜"



Part No.	Description
06696-000	⅞" Saddle Cap Stud



RS



Part Shown 26953-000L

Part No. **Capacity**
26953-000L 46K-120K



Part No. **Description**
24209-000 Center Load Cushion



Part No. **Description**
19279-000L Vertical Drive Bushing

REBOUND CONTROL STOP NUT KIT



31005-001 One Side

31005-002 Both Sides

R•RS•RT•RTE Cross Tubes



Part No.	Capacity	Length
44642-022	34K	36½"
44643-009L	38K-52K	44⅞"
44642-008L	34K	44⅞"
10397-014	65K	40¾"
07622-003	52K	46"

Popular Fasteners



Part Shown 48574-000

Part No. **Description**
48574-000 ⅞" Spherical Washer
10948-000 1"-14 UNS Saddle Cap Stud



Part Shown 22962-002

Part No. **Description**
22962-002 ⅞" Hardened Washer
22962-006 1" Hardened Washer



Part Shown 08017-000

Part No. **Description**
50765-000 ⅞" -14 UNF Locknut
08017-000 1"-14 UNS Locknut



CONVENTIONAL

BONDED

XTRB®

STRADDLE



Part Shown 44695-000L

Part No.	Bushing O.D.	Hole Dia.	MTG Centers
44694-000L	2½"	⅝"	4¾"
44695-000L	2¾"	⅝"	4¾"
48304-000	3½"	⅞"	5¼"
49210-000L	2¾"	¾"	4¾"
57256-000	2½"	⅝"	4¾"



Part Shown 64400-002L

Part No.	Bushing O.D.	Hole Dia.	MTG Centers
47691-000L	2"	⅝"	4¾"
64400-002L	3¼"	⅝"	4¾"
64400-003L	3¼"	⅞"	5¼"
64400-005L	3¼"	¾"	4¾"
64400-009L	3¼"	¾"	5¼"
69210-000L	2"	¾"	4¾"
67746-000L	2"	⅞"	4¾"



Part Shown 66649-002L

Part No.	Bushing O.D.	Hole Dia.	MTG Centers
66649-002L	2"	⅝"	4¾"
66649-003L	2"	15/16"	5¼"
66649-005L	2"	13/16"	4¾"



ULTRA ROD PLUS



ULTRA ROD

TAPER BUSHINGS



Part Shown 44697-000L

Part No.	Bushing O.D.	Taper Threads	Taper Length
44697-000L	2¾"	1¼"	3"
46735-000L	2¾"	1¼"	1⅞"



Part Shown 64400-004L

Part No.	Bushing O.D.	Taper Threads	Taper Length
64400-004L	3¼"	1¼"	3"
64697-000L	2"	1¼"	3"



Part No.	Bushing O.D.	Taper Threads	Taper Length
66649-004L	2¾"	1¼"	3"

OFFSET STRADDLE



Part Shown 47699-001L

Part No.	Bushing O.D.	Hole Dia.	Length
46734-000L	2¾"	¾"	5¼"
47699-001L	3"	¾"	5¼"



Part No.	Bushing O.D.	Hole Dia.	Length
66734-000L	2"	¾"	5¼"

THRU HOLE



Part Shown 45477-000L

Part No.	Bushing O.D.	Hole Dia.	Length
24504-000L	2⅞"	1⅞"	3¼"
44993-000L	338"	1⅞"	3¼"
45477-000L	3"	1⅞"	3¼"
46736-000L	2¾"	1⅞"	3¼"
47692-000L	2"	⅞"	3"
65477-000L	2"	1⅞"	3¼"



Part No.	Bushing O.D.	Hole Dia.	Length
64400-010	3¼"	1⅞"	3¼"

Refer to Torque Rod Selection Guide 45745-148 for additional part number information.



2-PIECE
EMPTY HUB



2-PIECE WITH
BUSHINGS

TWO-PIECE



Straddle / Straddle Kits

60218-000 ULTRA ROD®
Tube plus 22⁷/₁₆" Spacer End

60223-000 ULTRA ROD
Tube plus 30⁵/₁₆" Spacer End

65781-001 XTRB
Tube plus 30³/₈" Spacer End



Straddle / Taper Kits

60215-000 ULTRA ROD
Tube plus 22⁷/₁₆" Spacer End

60220-000 ULTRA ROD
Tube plus 22⁷/₁₆" Spacer End

65781-000 ULTRA ROD® PLUS™
Tube plus 30³/₈" Spacer End

65781-002 XTRB
Tube plus 30³/₈" Spacer End



Empty Hubs

ULTRA ROD PLUS		
Part No.	Length	I.D.
Tube End		
64473-000		2 ³ / ₄ "
Spacer End		
64474-000	30"	2 ³ / ₄ "



Two-piece with bushings

ULTRA ROD		
Part No.	Length	Bushing
Tube End – Straddle		
66610-000H		47691-000L
66767-000H		69210-000H
Tube End – Taper		
66620-000H		64809-000H
66630-000H		64697-000H
66640-000H		66734-000H
Spacer End – Straddle		
66660-000H	30 ⁵ / ₁₆ "	47691-000L
66661-000H	22 ⁷ / ₁₆ "	47691-000L
66701-000H	22 ⁷ / ₁₆ "	65477-000H
Spacer End – Taper		
66671-000H	22 ⁷ / ₁₆ "	64809-000H
66680-000H	30 ⁵ / ₁₆ "	64697-000H
66681-000H	22 ⁷ / ₁₆ "	64697-000H
66691-000H	22 ⁷ / ₁₆ "	66735-000H



Two-piece with PLUS bushings

ULTRA ROD PLUS		
Part No.	Length	Bushing
Tube End – Straddle		
46610-001		64400-002L
Spacer End – Straddle		
46661-001	30 ³ / ₈ "	64400-002L
Spacer End – Taper		
46681-001	30 ³ / ₈ "	64400-004L



Two-piece with XTRB bushings

ULTRA ROD PLUS with XTRB		
Part No.	Length	Bushing
Tube End – Straddle		
46610-003		66649-002L
46661-002		66649-002L
Spacer End – Taper		
46681-002	30 ³ / ₈ "	66649-004L

TORQUE ROD SHIMS



Part No.	Thickness
49689-000	1 ¹ / ₁₆ " COMFORT AIR, HAS, HTS, PRIMAAX EX, FIREMAAX EX
57856-000	1 ¹ / ₃₂ " HAS, HTB 175M
65640-001	1 ¹ / ₃₂ " HTB 400LT

TORQUE ROD BRACKET



Part No.	Mounting
22186-000	Straddle Mount, 5/8" Bolt Mounting

Refer to Torque Rod Selection Guide 45745-148 for additional part number information.



ONE-PIECE



ULTRA ROD – Straddle / Straddle

Part No.	Length	Bushing
62007-365	14 ³ / ₈ "	47691-000L
48411-006	14 ⁷ / ₁₆ "	47691-000L
49681-001	14 ⁷ / ₁₆ "	47691-000L
57950-007	14 ⁷ / ₁₆ "	47691-000L
58757-005	21 ¹ / ₂ "	47691-000L
62000-560	22 ¹ / ₁₆ "	47691-000L
62000-565	22 ¹ / ₄ "	47691-000L
62001-580	22 ¹ / ₁₆ "	47691-000L
62700-570	22 ⁷ / ₁₆ "	69210-000L
62000-565N	22 ¹ / ₄ "	*
58745-010	24 ¹ / ₄ "	*
62000-645N	25 ³ / ₈ "	*

ULTRA ROD – Straddle / Taper

62650-505	19 ⁷ / ₈ "	69210-000L 64697-000L
62650-535	21 ¹ / ₁₆ "	69210-000L 64697-000L
60827-605A	23 ³ / ₁₆ "	69210-000L
60827-605B		47692-000L
60827-645A	25 ³ / ₈ "	69210-000L
60827-645B		47692-000L
62350-615	24 ³ / ₁₆ "	47691-000L 64697-000L
62350-635	25"	47691-000L 64697-000L

* Torque rod bushings are non-serviceable.

** Specify length in millimeter. Refer to Torque Rod Selection Guide Literature No. 45745-148 for additional part number information.



ULTRA ROD PLUS – Straddle / Straddle

Part No.	Length	Bushing
72000-XXXS	**	64400-002L
721XX-XXX	**	64400-003L
ULTRA ROD PLUS – Straddle / Taper		
72350-XXX	**	64400-002L 64400-004L
72850-XXX	**	64400-003L 64400-006L
72950-XXX	**	64400-003L 64400-004L



XTRB – Straddle / Straddle

Part No.	Length	Bushing
92000-XXX	**	66649-002L
XTRB – Straddle / Taper		
92350-XXX	**	66649-002L 66649-004L



ULTRA ROD PLUS



TRAAX ROD



Part Shown 77906-398

Part No.	Model
Spartan Motorhome	
78562-001	HTB 210 - Spartan
78562-002	HTB 210
78562-003	HTB 210
International Truck	
77906-398	HTB 400LT

*TRAAX ROD™ FABRICATED ONE-PIECE



Heavy-duty – Straddle / Straddle

Part No.
**824X-XXXX-XXX

Severe Duty – Straddle / Straddle

Part No.
**823X-XXXX-XXX

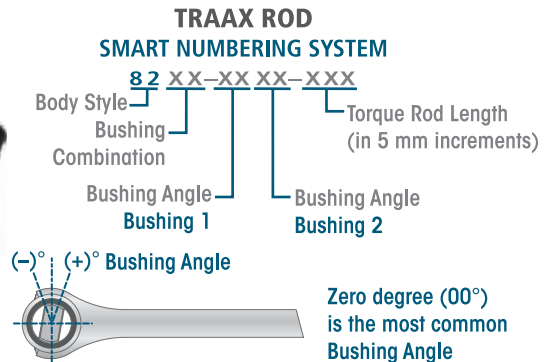


Heavy-duty – Straddle / Taper

Part No.
**824X-XXXX-XXX

Severe Duty – Straddle / Taper

Part No.
**823X-XXXX-XXX



** The TRAAX ROD family uses the Smart Numbering System, in which each digit signifies the body style (heavy-duty or severe-duty), bushing combination, bushing clocking angle and the torque rod length. Refer to TRAAX ROD Product Profile, Literature No. 45745-475 for additional part number information.

* TRAAX ROD torque rod bushings are non-serviceable.





Aftermarket Product Profiles



Contents

Air Springs	26
Bolster Springs	28
Center Bushings	30
End Bushings	32
Main Support Members	36
Progressive and Auxiliary Load Springs	38
Shock Absorbers	40
TRAAX ROD® Torque Rods	42
Torque Rods and Bushings	44
Rear Suspension Conversions	46



Hendrickson Air Springs are integral parts on our line of truck and tractor air suspensions, providing driver comfort and optimum performance. Regular suspension inspections are necessary to help ensure maximum ride quality and handling. To help ensure high end user satisfaction and optimum system performance, Hendrickson supplies the same genuine components for service as were installed in the original suspensions — with the same design, construction, performance and durability.

■ **Engineered**

Hendrickson air springs are designed and tuned specifically for each suspension system and application. Hendrickson air springs undergo advanced design and testing processes to provide optimum suspension ride, handling and performance.

**Air Springs for
Hendrickson
Front Suspensions**

■ **Performance**

Ride quality and performance are key factors when designing the internal makeup of Hendrickson air springs. A low natural frequency is achieved through proprietary piston, flex member, and bump stop components.

■ **Use Only Genuine Hendrickson**

Using non-genuine air springs can alter the weight rating and performance of Hendrickson suspensions. Look for the Hendrickson name and logo on the air spring to help guarantee you are getting genuine Hendrickson service parts.



**Air Springs for
Hendrickson
Rear Suspensions**





Air Spring Selection

Below are our most popular air springs. View Hendrickson parts lists on-line for the air spring specific to your vehicle at www.hendrickson-intl.com or contact our Hendrickson truck parts specialist at truckparts@hendrickson-intl.com



PART NO.	DESCRIPTION
HAS • HA	
49048-002*	HA 36K•40K
50405-002L	HA 46K
50898-002L	HAS 40K LH
50899-002L	HAS for MACK 21K•23K•40K•46K•40K LH
56917-002L	HAS Low Profile 12K•15K•19K•21K•23K•40K
57122-002L	HAS 12K•15K•19K•21K•23K•40K•46K
57920-002L	HAS Low Profile 12K
58520-002L	HAS 21K•23K•40K•46K•40K LH with Metric Stud
58786-002	MAXAIR • AL-405 with Mack Logo
58983-002	Blue Bird Low Profile 21K•23K
59031-002L	HAS Low Profile 15K•21K•23K
59055-002L*	HAS 19K with Metric Stud
59861-002L	HAS 21K
64489-002	HAS Mack
64651-002	HAS Mack
64917-002L	MAXAIR • AL405 with H Logo
66178-002	HAS Spartan
76861-002	HAS Ford
76940-002	HAS Ford

PART NO.	DESCRIPTION
AR2	
65998-002*	40K•46K
PRIMAAX EX • FIREMAAX EX Ride Height 8½"-10"	
60271-002L	PRIMAAX 230•460•690
66255-002**	PRIMAAX 260•520•780
67043-002L**	PRIMAAX EX 23K•46K•69K
67247-002***	PRIMAAX EX 26K•52K•78K
67234-002L	PRIMAAX EX 23K•46K•69K
69153-002*	PRIMAAX 260•520•780 FIREMAAX 270•540
67392-002	FIREMAAX EX 24K•48K
68056-002**	FIREMAAX EX 27K•54K
65183-002	FIREMAAX 240•480
PRIMAAX EX • FIREMAAX EX Ride Height 12½"-14¾"-15½"	
67391-002*	PRIMAAX EX 23K•46K•69K FIREMAAX EX 24K•48K
65032-002	PRIMAAX 230•460•690 FIREMAAX 240•480
64337-002	PRIMAAX
67044-002	PRIMAAX EX • FIREMAAX EX 26K•52K•78K•27K•54K

PART NO.	DESCRIPTION
AIRTEK	
69782-002L	Freightliner, Western Star
66349-002L*	Volvo, Mack 12.5K Spartan 10.5K•12K
60716-002L*	Volvo, Mack 13.2K•14.6K
60961-182****	Volvo, Mack
66865-002L*	Blue Bird 13.2K
65790-002L*	Spartan 12.6K•14.6K
67568-002	International IC Bus
67923-002	Caterpillar, International Truck
69116-002	Freightliner, Western Star
PARASTEER	
59484-002L*	Blue Bird TCRE/CSRE/QBRE/C4RE TCFE/CSFE/HDRE
59601-002L*	Blue Bird TSFE/CIFE Flat Floor
67793-002*	PARASTEER HD
COMFORT AIR	
60925-002	Blue Bird
60929-002	Blue Bird, Front Engine
65086-002	Hino

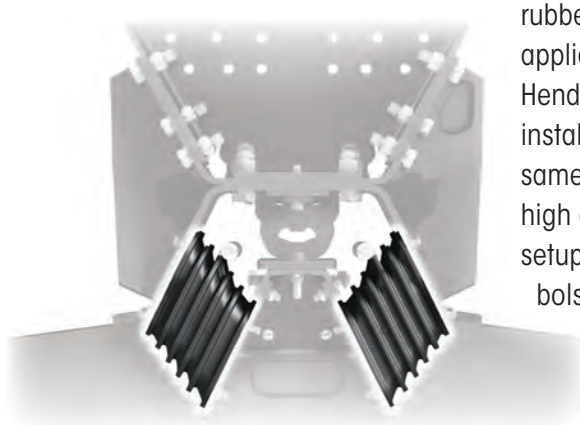
NOTES:

- * Air spring only (no upper air spring bracket included).
- ** Includes upper air spring bracket and fasteners.
- *** Includes support plate, upper air spring bracket, and fasteners.
- **** Volvo vehicles equipped with dual height control valves built between March 2005 and June 2007.

PRODUCT PROFILES



Hendrickson Bolster Springs



unique design and high grade rubber boost performance by withstanding heavy loads in rugged applications. In the event that replacement springs are required, Hendrickson supplies the same genuine components for service as installed on the original suspensions. These components have the same design, construction and performance, which helps ensure high end user satisfaction and peak system performance. Correct setup and regular inspections are key in maintaining optimum bolster spring and suspension operation.

HAULMAAX Bolster Springs

- HAULMAAX bolster springs work in conjunction with the load springs and shim plates to provide outstanding ride quality in both loaded and unloaded conditions
- Load spring shims can be adjusted for different empty body weights, making HAULMAAX suspensions another ideal choice for trucks being used in varying applications



TIE-BAR DESIGN

- While mandatory for 46,000 pound capacity suspensions, an optional tie-bar version is also available for 40,000 pound capacity suspensions
- Provides greater bolster column stiffness
- Improves suspension performance even when axles are misaligned
- Remains consistent with the ride quality and stability of the original design

HN Bolster Springs

- Proprietary rubber compounds are used to provide ideal articulation and ride quality
- As payload increases, the bolster springs continue to compress until the load springs engage. This produces a secondary system stiffness that provides extra ride stability under loaded conditions
- HN bolster springs absorb vertical road inputs as well as fore/aft shock to deliver superior driver comfort and handling



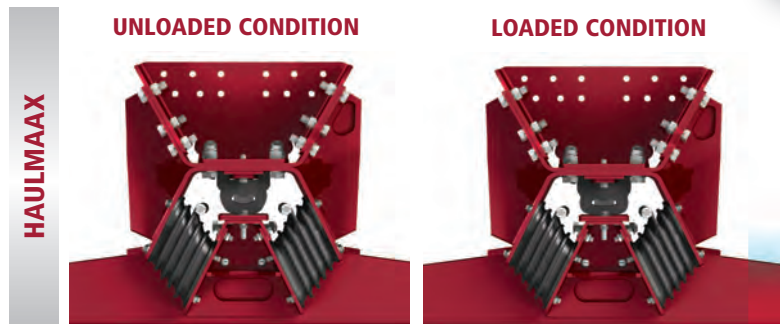
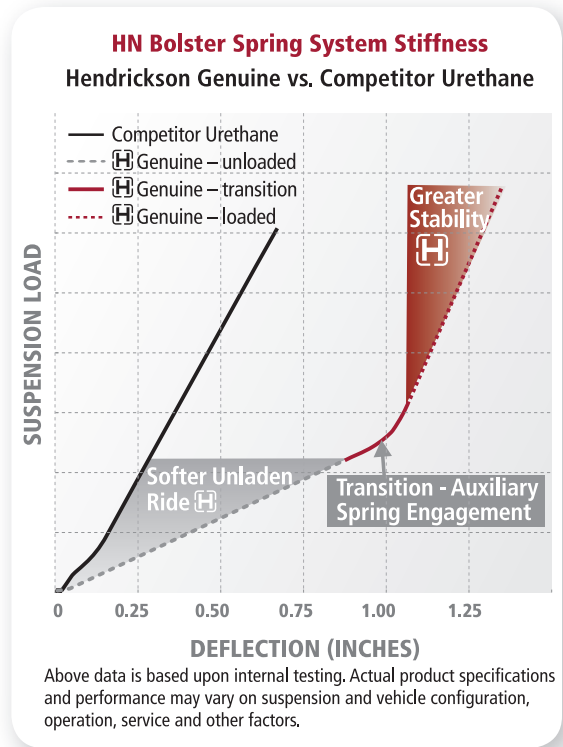


Shear and Compression Bolster Spring Loads

The shear load component enables high suspension articulation and a lower unladen suspension spring rate.

The compression load component allows the suspension to carry heavy loads. Trust genuine Hendrickson bolster springs to deliver these benefits and enable HN and HAULMAAX suspensions to operate and perform as designed.

For optimum performance, HN and HAULMAAX suspensions require a soft spring rate when unloaded and a stiff spring rate when loaded. Typical competitor urethane bolsters do not meet Hendrickson's spring rate criteria, and their use will void any applicable Hendrickson warranty. In addition, competitor urethane bolsters can degrade ride quality and create excessive stress on the suspension. Hendrickson does not authorize the use of competitor urethane components in any HN or HAULMAAX suspension system.



Bolster Spring Service Kits

HAULMAAX



Tie-bar Bolster Springs and Progressive Load Spring Service Kit 60961-712

- 2 Tie-bar Bolster Spring Kit 64179-048
- 1 Progressive Load Spring Kit 60961-745



Tie-bar Bolster Springs Service Kit 64179-048

- 2 Tie-bar Bolster Springs
- 1 Bolster Spring Spacer
- 1 Wear Plate
- 1 Tie-bar Bolt
- 9 Flange Locknuts



Bolster Springs Service Kit 64179-049

- 2 Bolster Springs
- 1 Bolster Spring Spacer
- 1 Wear Plate
- 9 Flange Locknuts

HN



HN (Feb. 1996 to Current) Service Kit 60879-000

- 2 Bolster Springs

HN (Nov. 1988 – Feb. 1996) Service Kit 64718-000

- 2 Bolster Springs

Bolster springs should always be replaced with Hendrickson genuine bolster springs and in pairs per beam. See details in Hendrickson technical publications (HAULMAAX 17730-244) and (HN 17730-227). Look for more information on Hendrickson products on-line at www.hendrickson-intl.com

PRODUCT PROFILES



Hendrickson Equalizing Beam Center Bushings

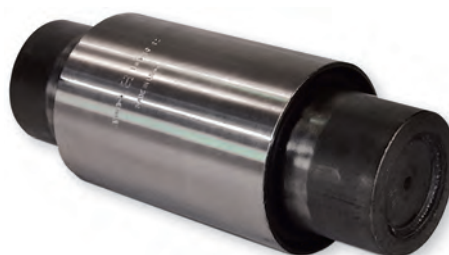
Each Hendrickson center bushing is engineered for specific types of Hendrickson walking beam suspension capacities, applications, and configurations to maximize system performance. To help ensure high end user satisfaction and peak system performance Hendrickson supplies the same genuine components for service requirements as were installed in the original suspensions.

Rubber Center Bushings — Proprietary rubber compound provides maximum bushing life while maintaining system performance attributes.



High Confinement Center Bushings

- Standard on all Hendrickson walking beam suspensions rated up to a 40,000 pound capacity
- Can be specified up to a 46,000 pound capacity rating, when used in conjunction with transverse rods
- Maintains a high resistance to bushing walkout over a longer period of time due to the confinement of the rubber



Fully Bonded Center Bushings

- Designed for high-capacity Hendrickson walking beam suspensions rated at 52,000 pound capacity
- Low maintenance, helps maintain low tire wear
- Provides the extra strength and durability necessary to routinely handle heavy loads
- The bonded rubber to metal resists friction, therefore improving bushing life

NOTE: These rubber bushings are also available with a loose plug for ease of cross tube installation

Bronze Center Bushings



- Designed for severe applications that encounter extremely tight turns under heavy loads that are not equipped with transverse torque rods
- Standard on Hendrickson walking beam suspensions rated at 46,000 and 52,000 pound capacities
- Bronze bushing grease channels are precisely cut and located to ensure proper grease flow and long bushing life



STANDARD DUTY RUBBER CENTER BUSHINGS

Hendrickson rubber bushings require no lubrication maintenance and provide solid performance in a variety of applications.



Part Number	Capacity
06664-000L	34K
22279-000L*	34K
05919-000L	38K
22282-000L*	38K



Part Number	Capacity
49400-000L	40K
49600-000L*	40K



Part Number	Capacity
47420-000	E4 34K-40K HFS 36K-40K

HIGH CAPACITY RUBBER CENTER BUSHINGS

These bushings are designed specifically to stand up to higher capacities and severe service applications and require torque rods.



Part Number	Capacity
29483-005L	46K-52K
34013-097L*	46K-52K
10366-000L	65K

* Loose Plug

BRONZE CENTER BUSHING SERVICE KITS

Hendrickson bronze bushings are not to be used with transverse torque rods.



Kit Number	Capacity
30437-000L	40K-46K
34013-054L	40K-52K
30240-002	52K

TECHNICAL NOTES

- The decision to use rubber or bronze center bushings is dependent on a variety of factors dictated by the operating conditions, geographic location, and configuration of the vehicle. Refer to Hendrickson's Equalizing Beam and Components Selection Guide Literature No. 45745-147 for more details, available on-line at www.hendrickson-intl.com
- To convert center bushings from bronze to rubber, contact Hendrickson Truck Parts at 1-866-755-5968 or e-mail: truckparts@hendrickson-intl.com.





Hendrickson Equalizing Beam End Bushings...



- Engineered to maintain performance, reduce suspension wear and maximize durability.
- Uses a premium grade rubber compound formulation that works with the whole suspension in mind. The rubber bushing's function is to provide joint articulation, transmit loads and absorb shock loads.

ROTATING BAR PIN END BUSHING



ADAPTER STYLE END BUSHING



BAR PIN END BUSHING





Rotating Bar Pin Beam End Bushings

Hendrickson puts a TWIST on end bushing with a rotating bar pin end bushings – Once pressed into the beam, the bar pin bushing pins can be rotated to the correct angle for a perfect installation. The bar pins are designed to become fixed at the required angle when the installation is properly completed so they don't continue to rotate once the truck is back in use.



Bar Pin Rotates

- Easy alignment to axle bracket pinion angles for quick installation
- The bushing prevents installation at the incorrect angle, driving down "re-do" and scrap levels
- Helps save time and labor costs by eliminating re-work from incorrectly installed bushings
- No special tools are required to rotate the bushing; a standard shop wrench will rotate the bushing into position with the axle

Bar Pin Patented Feature

- After installation the rotating bar pin bushing is designed to lock into place once under load
- Longer component life – bar pin helps prevent back and forth motion within the bushing, in order to minimize inner bushing wear and stress on the axle bracket

Equalizing Beams Available with Rotating Bar Pin End Bushings



Hendrickson offers rotating bar pin end bushings on select Hendrickson HAULMAAX® • HN® • RT/RTE™ • RS™ • R™ equalizing beams for service.

The exact equalizing beam used in production that provides structural integrity and functionality to maintain the original system performance is available with rotating bar pin bushings.

PRODUCT PROFILES

HAULMAAX



HAULMAAX Equalizing Beams

Production Part No.	*Beam Length	NEW Service Part No.
64846-001	54" With Shock Bracket	080225-001
64847-001 and-004	54" No Shock Bracket	080226-001

HN Equalizing Beams

Production Part No.	*Beam Length	NEW Service Part No.
58494-002	54"	080227-002
57889-008	52"	080228-008



RT/RTE • RS • R



RTE/RT • RS • R Equalizing Beams

Production Part No.	*Beam Length	NEW Service Part No.
50501-017	54"	080476-017
50501-015	52"	080476-015

* Beam lengths are determined by measuring the distance from the spindle center of the front drive axle to the spindle center of the rear drive axle.



Bar Pin Style Bushings



Designed with a commitment to quality, these special bushings provide many benefits for both the installer and truck owner.

- Easy access to fasteners for removal and re-installation
- Shim equipped kits provide accurate and quick alignment
- Enhanced alignment to increase tire life
- Superior service life for efficient vehicle operation and less down time

Adapter Style Bushings



With the custom rubber design and high quality inner and outer metals, these bushings have proven themselves time and again.

- Adapter style end bushing kits are available providing all the necessary parts for the job.

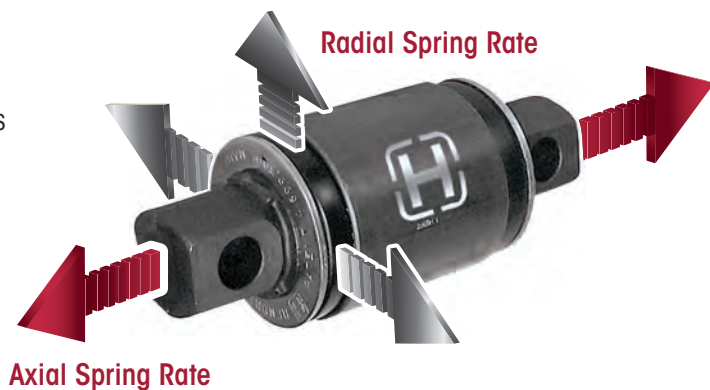
NOTE: Special Tools for servicing end bushings are available through Hendrickson, refer to the applicable Hendrickson Parts List for your suspension available on-line at www.hendrickson-intl.com

Hendrickson Outperforms the Competition

Genuine Hendrickson bar pin end bushings outperform the competition due to their premium material properties and key performance characteristics.

End Bushing Radial Spring Rate

is a key bushing durability and performance characteristic that describes how a bushing stands up to radial loading and deflection. Hendrickson bar pin end bushings are designed to exhibit a higher radial spring rate. The radial load-carrying capacity of a bushing is directly related to its correct radial stiffness. A bushing with the correct stiffness can carry more load and/or live longer than a will-fit bushing not designed with the ideal radial spring rate for the load-carrying capacity.



Axial Spring Rate is a key bushing performance characteristic that describes how a bushing responds to the loading that can cause walkout. Bushings need to be resistant to walkout in order to maximize durability. Hendrickson bar pin end bushings exhibit a higher axial spring rate.



Don't Settle for Substitutes...

Insist on only Hendrickson Genuine beam end bushings for exact fit and optimum performance.

BAR PIN STYLE END BUSHING KITS

HAULMAX • HN



HAULMAX



HN

34013-188L
Rotating Bar Pin



34013-088L



34013-087L



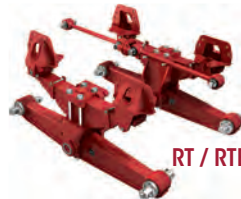
END BUSHING

BAR PIN & ADAPTER STYLE END BUSHING KITS

AR2 • R • RS • RT/RTE



AR2



RT / RTE



RS



R

BAR PIN STYLE
34013-188L
Rotating Bar Pin



BAR PIN STYLE
34013-088L



BAR PIN STYLE
34013-087L



ADAPTER STYLE
34013-XXX
See chart below.



END BUSHING

ADAPTER STYLE END BUSHING KITS

Kit Number	Capacity	Kit Number	Capacity	Kit Number	Capacity
34013-048L	34K	34013-050L	48K-52K	34013-052	65K-70K
34013-049L	34K-40K	34013-051L	48K-52K	34013-072	65K-70K (Tube/Nut)
34013-073L	46K			34013-110	65K-85K

NOTE: Always inspect the entire suspension for loose or worn parts and replace components as necessary with customer consent. Illustration above shows popular bushings only. Verify the correct replacement parts are used for the suspension model and capacity. Refer to applicable literature or contact Hendrickson.

PRODUCT PROFILES

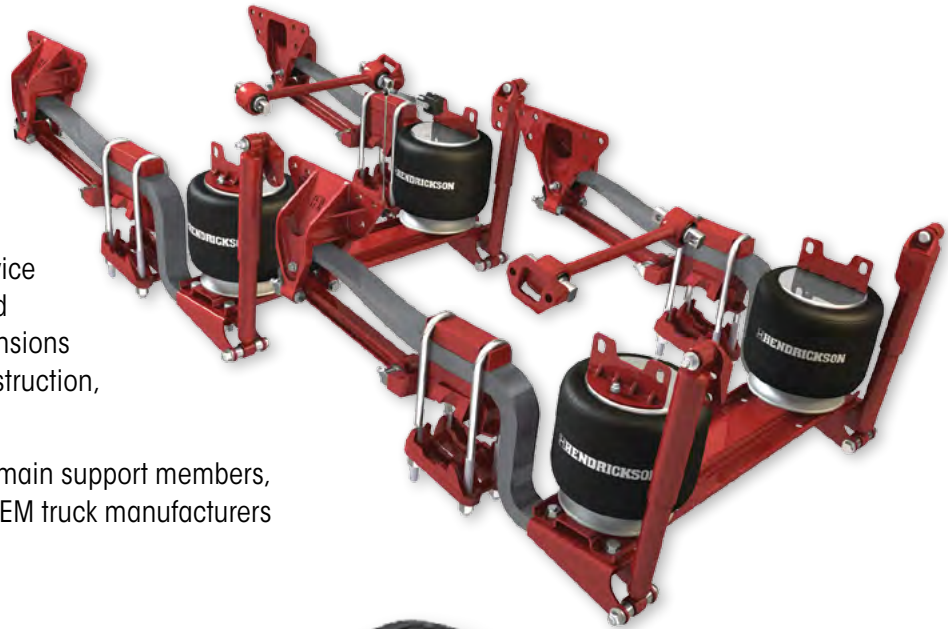


Hendrickson Main Support Members

Main Support Members, which are also called "Z" springs or "Z" bars, are an integral part of the suspension.

Hendrickson supplies the same genuine springs for service requirements that are installed in original Hendrickson suspensions — with the same design, construction, performance and durability.

As a leading manufacturer of main support members, Hendrickson supplies major OEM truck manufacturers throughout the world.



Quality and Durability

- To help ensure high end user satisfaction and peak system performance, Hendrickson conducts advanced research and development for leaf springs and main support members

Unique Alloy

- Hendrickson's main support members are manufactured using a unique, proprietary, fine-grain alloy with high tensile strength, developed specifically by Hendrickson engineers and steel manufacturers
- The attributes of this alloy enable Hendrickson to optimize the balance between roll stiffness, ride quality and long service life

Hendrickson Spring Technology

- Reduces weight while increasing strength, spring life, roll stability, and ride quality
- Proprietary material structure and design to improve performance
- Uniquely tempered with our proprietary heat treating process to further improve fatigue life and durability
- Stress peened for maximum residual stress providing longer spring life
- Latest in paint and paint processes for advanced corrosion protection

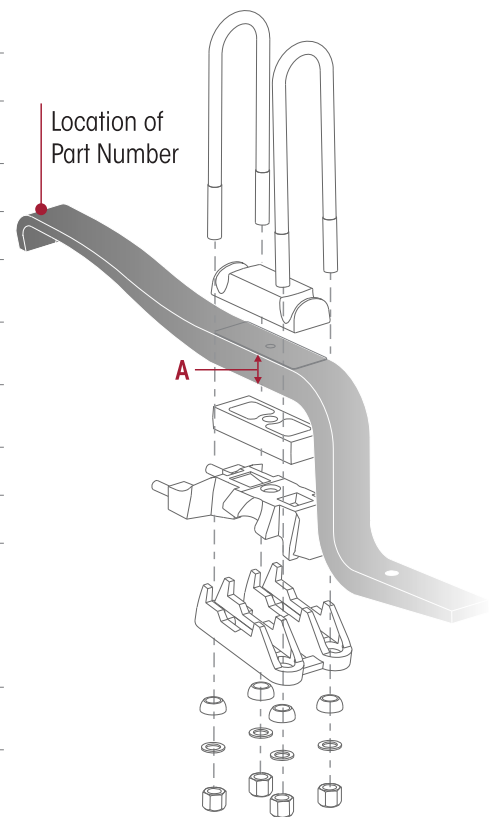


Hendrickson's main support members continue to meet rigid OEM requirements and provide reliable, consistent performance.

- **When replacing main support members,** Hendrickson recommends the replacement of U-bolts and fasteners to maintain proper clamp force.
- Refer to the specific parts list and service/maintenance instructions for your Hendrickson suspension available on-line at www.hendrickson-intl.com

Popular Hendrickson Main Support Members

PART NO.	THICKNESS DIM. A	SUSPENSION MODEL	OEM
HAS Suspensions			
56925-000	1.50"	Low Profile 12K • 15K	Diamler, Navistar
56928-000	1.75"	Low Profile 19K • 40K	Diamler, Navistar, Paccar
56934-000	2.00"	Low Profile 23K • 40K • 46K	Diamler, Mack, Navistar, Paccar
56937-000	1.50"	12K • 15K	Ford
56940-000	1.75"	19K • 36K	Diamler, Mack, Paccar
56943-000	1.88"	21K • 40K	Diamler, Mack, Navistar, Paccar
56946-000	2.00"	23K • 40K • 46K	Diamler, Mack, Navistar, Paccar, Volvo
57217-000	1.75"	40K LH	Diamler, Mack, Navistar, Paccar
59193-000	2.00"	21K • 23K • 40K • 46K	Nissan with Disc Brake
59597-000	2.00"	46K Plus, Severe Service	Diamler, Paccar
60262-000	1.75"	40K LH	Mack
HA Suspensions			
48112-001	1.625"	36K	Diamler, Mack, Paccar
48645-001	2.38"	23K • 46K	Diamler, Mack, Navistar, Paccar
56871-001	1.88"	40K	Diamler, Mack, Navistar, Paccar
COMFORT AIR Suspensions			
53443-000	3.51"	23K	Hino
60779-000	1.88"	23K	Blue Bird, Diamler, Navistar, Paccar, Thomas Built, Volvo
65106-001	2.00"	19K • 21K	Hino, Mack, Volvo
68914-000	1.88"	19K • 21K	Blue Bird
MAXAIR • AL-405 Suspensions			
58691-000	2.00"	Left Hand	Mack
58768-000	2.00"	Right Hand	Mack


PRODUCT PROFILES



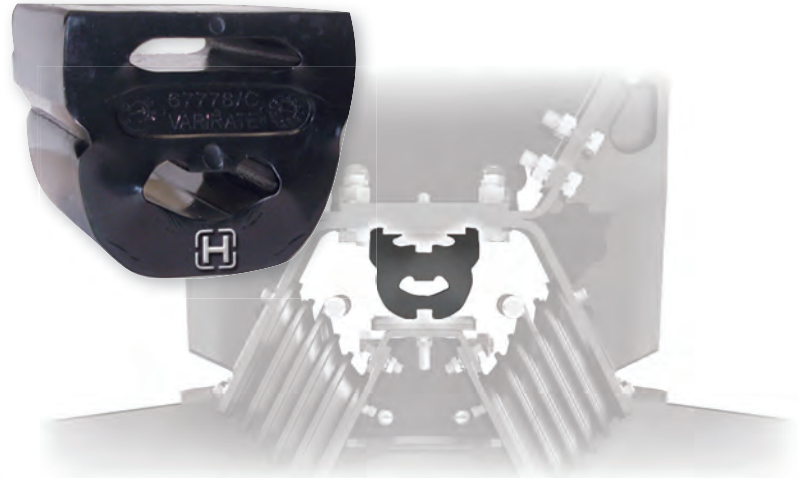
Hendrickson Load Springs

used on the HAULMAAX and HN rear suspensions easily adjust to the load for an enhanced combination of empty ride quality and loaded stability.

To help ensure high end-user satisfaction and peak system performance, Hendrickson supplies the same genuine components for service requirements as installed on the original suspensions with the same design, construction and performance.

HAULMAAX Progressive Load Spring (PLS)

- When slightly engaged in the unloaded condition provides excellent ride quality
- When fully engaged in the loaded condition it provides optimized loaded stability
- Eliminates shim adjustments for most applications



HN Auxiliary Load Spring

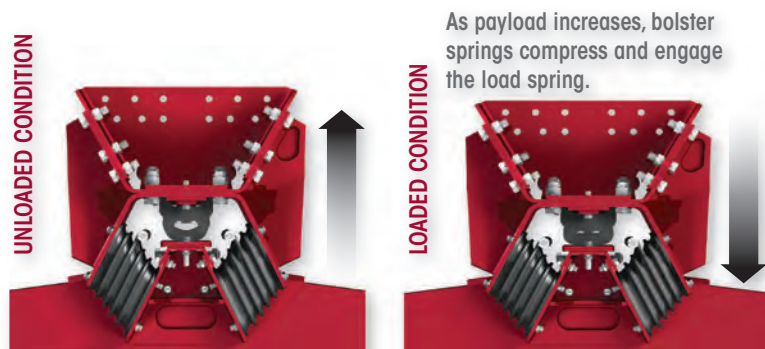
- In the loaded condition the extra wide bolster spring centers and auxiliary springs provide exceptional stability for demanding applications such as refuse trucks, concrete mixers and dumps.
- Load spring shims can be adjusted to help optimize roll stability

Unloaded Condition — In the empty condition, the diagonally mounted rubber bolster springs act in shear and compression to help provide optimum deflection for outstanding ride quality. Bolster springs absorb vertical road inputs and fore/aft shock.

Loaded Condition —

As payload increases, the bolster springs compress and increase in stiffness, while maintaining excellent ride quality. With higher loading, the load spring fully engages for additional stability.

- A well maintained load spring helps provide increased bolster service life.



HAULMAAX Suspension



Load Spring Service Kits

HAULMAAX



Unloaded Height
4 1/4" Normal
3" Minimum

Kit No. 60961-745

One Side

- 1 Progressive Load Spring
- 3 1/2" x 2 1/4" Flange Bolts
- 3 1/2" Flange Nuts

Kit No. 64179-004

One Side (for vehicles built prior to 7/15/2014)

- 1 Auxiliary Load Spring
- 3 1/2" x 2 1/4" Flange Bolts
- 3 1/2" Flange Nuts

Kit No. 60961-747

Tandem Conversion Kit

- 2 Progressive Load Springs
- 6 1/2" x 2 1/4" Flange Bolts
- 6 1/2" Flange Nuts

Kit No. 60961-746

Weight Bias Kit with Shims

- 1 Progressive Load Spring
- 1 Auxiliary Load Spring
- 2 Load Spring Shims
- 10 1/2" x 2 1/4" Flange Bolts
- 10 1/2" Flange Nuts

HN



Unloaded Height
3 3/8" Normal
3" Minimum

Part No. 60314-000, One Side

- 1 Auxiliary Load Spring

HAULMAAX • HN Gauges

■ Hendrickson HAULMAAX Gauge

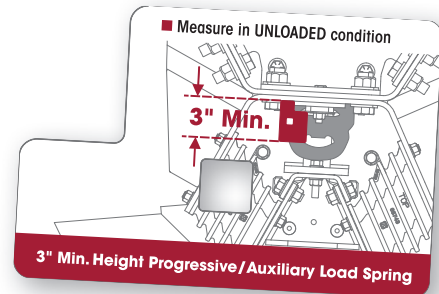
(Lit. No. 48422-590) is available to help measure the progressive load spring minimum height to be used with an 3/8" extension.

■ Hendrickson HAULMAAX • HN Gauge

(Lit. No. 48422-546) is available to help measure bolster springs for cut or splits and bonding separation and also is used to measure the height of the progressive load springs.

Both gauges are available free of charge. Order on-line at: www.hendrickson-intl.com/litform

HAULMAAX Literature Number 48422-590



HAULMAAX • HN Literature Number 48422-546



NOTE: Always inspect the entire suspension for loose or worn parts and replace components as necessary with customer consent.

To ensure proper operation, Hendrickson recommends to use only Hendrickson genuine load springs. See more details in Hendrickson Technical Publications (HAULMAAX 17730-244) and (HN 17730-227) available on-line at www.hendrickson-intl.com



- Optimized ride quality
- Optimized road stability
- Optimized durability



Identify genuine Hendrickson Shock Absorbers by the stamped Hendrickson logo and part number on the dust shield or cylinder

Hendrickson Shock Absorbers are an integral part of the suspension, and are specially designed to:

- Optimize ride control, comfort and provide enhanced system durability
- Offer robust quality and functionality
- Improve braking and component service life
- Provide greater damping characteristics with the use of large bore shocks to improve ride and cargo protection
- Harness hydraulic damping benefits to deliver advanced ride and comfort

HI-TORQUE™ Shock Absorber

- **EDGE™** is the combination of Hendrickson's HI-TORQUE™ shocks and height control valve system. Together they provide **Efficient Driveline GEometry** for vehicles with high torque engines.
- Exclusive internal rebound spring significantly reduces frame rise on hi-torque engine vehicles, protecting driveline components and reduces wheel hop.
- HI-TORQUE shocks provide increased carrying capacity and longer life, and they function as traditional shock absorbers to deliver a smooth, high quality ride.

Protect Your Investment

Use Only Genuine Hendrickson Parts. Hendrickson shock absorbers need to be inspected regularly to help ensure optimum vehicle ride quality and handling. Replacement of genuine Hendrickson shocks with non-genuine shocks may not have the correct specifications and operating parameters required for Hendrickson suspension system. That can reduce performance and lead to damage to the suspension and related components.





Popular Hendrickson Shock Absorbers

Below are our most popular shock absorbers. Refer to Hendrickson parts lists on-line for the shock absorbers specific to your vehicle at www.hendrickson-intl.com or contact our Hendrickson truck parts specialist at truckparts@hendrickson-intl.com

PART NO.	DESCRIPTION	PART NO.	DESCRIPTION	PART NO.	DESCRIPTION
AIRTEK • SOFTEK Suspensions		HAS Suspensions		HTB Suspensions	
58913-003L	Freightliner, Western Star, Prior to 2010	60665-004L	Blue Bird 15K • 21K • 23K, Low Profile	60657-008L	International Truck 9000 Series
58913-009	Lion Bus, Blue Bird 8K • 10K	60670-003	15K Low Profile	60657-010	International Truck - ProStar
58913-010	Blue Bird 13.2K • 14.6K	60670-005	19K • 21K • 23K • 36K • 40K • 46K	60657-011	International Truck ProStar Day Cab
58913-011L	Blue Bird 14.6K	60670-006L	21K • 23K • 40K • 40K LH • 46K	66153-005L	Spartan
58913-012L	Freightliner, Western Star, After 2010	60670-007L	40K • 46K, Inboard Standard	HTS Suspensions	
64838-002	Volvo, Mack built with STEERTEK	60670-008L	19K • 21K • 23K • 40K • 46K, Nissan, Low Profile, Inboard Rear	60665-025L	Autocar 19K • 21K
64838-003L	Volvo, Mack built with STEERTEK NXT	60670-010	21K	MAXAIR • AL-405 Suspensions	
65992-001	International Truck, Sleeper	60675-001L	HI-TORQUE Volvo • Mack	57241-006L	Mack
65992-002L	International Truck, Day Cab	60675-002L	21K • 40K • 46K, HI-TORQUE	PARASTEER • PARASTEER HD Suspensions	
65992-006	International IC Bus	60675-003L	19K • 21K • 23K, HI-TORQUE	60665-005L	Blue Bird 9/98-11/01
66153-006	Spartan 10.5K • 12K • 12.6K	60675-005L	19K • 21K • 23K, HI-TORQUE	60998-002L	Blue Bird built after 11/01
66153-007	Spartan 14.6K	60675-006L	40K • 46K, Inboard	PRIMAAX EX • FIREMAAX EX Suspensions	
AR2 Suspensions		60680-001L	40LH	60657-003L	8½", 10" Ride Height
60665-012L	40K • 46K	60680-002	40LH	60657-005L	Kenworth Tridem
COMFORT AIR Suspensions		60685-001	40LH HI-TORQUE	60657-007	Volvo
60670-013	Hino 21K	66153-004L	Spartan, Rear engine	60665-011	12½"-14¾"-15½" Ride Height
60670-014	Hino 19K	HAULMAAX Suspensions		60665-013	8½", 10" Ride Height, Drum Brake
60670-018	Hino 23K	60680-004L	16½" Saddle Height	60665-014	FIREMAAX Disc Brake
60670-019	Hino 21K	60680-005L	17½"-18½" Saddle Height	60665-015	8½", 10" Ride Height, Disc Brake
60998-003	Blue Bird	60680-012L	20¼" Saddle Height	60665-018L	FIREMAAX Drum Brake
HPS Suspensions		HN Suspensions		70807-001L	FIREMAAX, New and Retrofitted Models
59992-001L	Past Generation	60680-003L	Built after 11/00		
		60670-002L	Built between 11/88-2/96		



Hendrickson Genuine Parts are the same quality components installed in Hendrickson original equipment suspensions — consisting of the same design, construction, performance and durability. There's only one way to maintain and protect your suspension's original performance. Ask for the name that is synonymous with the finest manufactured suspensions in the world.



TRAAX ROD Performance — Up to ***five times** the performance life of conventional double shot bushings and similar performance of ball and socket torque rods, with better energy absorption, delivering superior bushing retention and longer component life for heavy- and severe-duty applications. Explore the TRAAX ROD site www.traaxrods.com for more benefits, information and a torque rod length conversion calculator.

Heavy-duty — Recommended for 40,000 lb. to 52,000 lb. capacity suspensions in most vocational applications.

Severe-duty — Recommended for 60,000 lb. to 70,000 lb. capacity suspensions. Also available for 40,000 lb. to 52,000 lb. capacity suspensions for even longer service intervals.

5x
5x
5x
PERFORMANCE LIFE



TRAAX ROD BODY

- **Fabricated rod body** works in conjunction with our proprietary bushings to meet a large footprint for heavy loads and energy absorption from high articulation and side load events.
- **Offers easy and inexpensive flexibility** to create a variety of torque rod lengths. Length variety significantly reduces the need for shims which can compromise the connection integrity if not secured properly or used with correct shims.
- **One-piece design** supports uptime by removing and replacing with the original one-piece length for an accurate fit the first time.

TRAAX ROD BUSHINGS

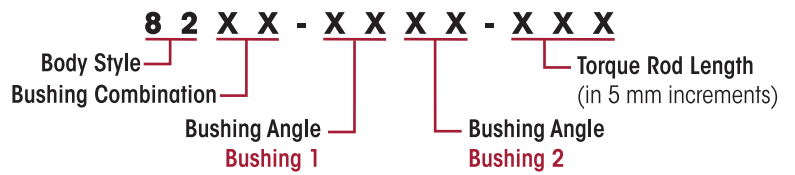
- **Curled outer metal casing** places rubber in pre-compression mode to “harness” the energy and perform at its highest peak, providing best-in-class durability and performance.
- **Proprietary rubber material** helps reduce cost of ownership by absorbing horizontal, vertical and torsional forces for long component life.
- **High strength bond** of rubber to inner metal eliminates friction between the inner metal and rubber, minimizing bushing wear and increasing component life cycle.
- **Hardened steel bar pins and taper pins** deliver increased resistance against wear and abrasion to extend the service intervals of the component.

* Based on internal testing of bushing walkout, retention and durability. Actual product performance may vary depending on component and vehicle configuration, operation, service and other factors.



The **TRAAX ROD** family uses the **Smart Numbering System**, in which each digit signifies the body style, bushing combination, bushing hole diameter, bushing clocking angle and the torque rod length.

TRAAX ROD SMART NUMBERING SYSTEM



STRADDLE BUSHING

TAPER BUSHING



-)° (+)° Bushing Angle



8 2 X X - X X X X - X X X

TRAAX ROD Body Style

HEAVY-DUTY

SEVERE-DUTY

BUSHING COMBINATION

	Bushing 1				BUSHING 2			
	Straddle		Taper		Straddle		Taper	
	Hole Diameter	Mounting Center	Length	Thread	Hole Diameter	Mounting Center	Length	Thread
40	5/8"	4 3/8"			5/8"	4 3/8"		
41	3/4"	4 3/8"			3/4"	4 3/8"		
42	7/8"	5 1/4"			7/8"	5 1/4"		
44	5/8"	4 3/8"					3"	1 1/4"
45	3/4"	4 3/8"					3"	1 1/4"
46	7/8"	5 1/4"					3"	1 1/4"

Recommended for 40K to 52K pound capacity suspensions in most vocational applications.

30	5/8"	4 3/8"			5/8"	4 3/8"		
31	3/4"	4 3/8"			3/4"	4 3/8"		
32	7/8"	5 1/4"			7/8"	5 1/4"		
33	5/8"	4 3/8"					3"	1 1/4"
34	3/4"	4 3/8"					3"	1 1/4"
35	7/8"	5 1/4"					3"	1 1/4"
36			3"	1 1/4"			3"	1 1/4"

Recommended for 60K to 70K pound capacity suspensions or 40K to 52K pound capacity suspensions for even longer service intervals.

8 2 X X - X X X X - X X X

BUSHING ANGLE¹

Code	Degree
00	0° ²
01	5°
02	10°
03	15°
04	20°
05	25°
06	30°
07	35°
08	40°
09	45°
51	-5°
52	-10°
53	-15°
54	-20°
55	-25°
56	-30°
57	-35°
58	-40°
59	-45°
98	Taper Up ³
99	Taper Down

- Contact Hendrickson for additional bushing angles.
- Standard angle is 0° degrees.
- Taper up bushing angle available only for 8236 series.

8 2 X X - X X X X - X X X

TORQUE ROD LENGTH

In five (5) millimeter increments



PRODUCT PROFILES

Hendrickson Genuine Parts are the same quality components installed in Hendrickson original equipment suspensions — consisting of the same design, construction, performance and durability. There's only one way to maintain and protect your suspension's original performance. Ask for the name that is synonymous with the finest manufactured suspensions in the world.



Hendrickson One and Two Piece Torque Rods and Bushings

Hendrickson's portfolio: **TRAAX ROD™**, **ULTRA ROD® PLUS™** and **ULTRA ROD®** torque rods are designed, tested and validated with advanced specifications. Available in various material and one or two piece configurations to deliver superior performance.

TRAAX ROD is a fabricated rod body with robotically welded and curled end hubs combined with Hendrickson's proprietary rubber bonded bushings.

TRAAX ROD performance — Up to ***five times** the performance life of conventional double shot bushings and similar performance of ball and socket torque rods, with better energy absorption, delivering superior bushing retention and longer component life for heavy- and severe-duty applications. Explore the TRAAX ROD site www.traaxrods.com for more benefits, information and a torque rod length conversion calculator.

ULTRA ROD PLUS — forged rod body with integrated end hub utilizing Hendrickson's proprietary rubber bushing compound and bonded technology, also available with Hendrickson's exclusive XTRB bushings.

ULTRA ROD — forged rod body with integrated forged end hub utilizing Hendrickson's proprietary rubber bushing compound and bonded technology.

ONE-PIECE TORQUE RODS are fabricated, forged, or cast body construction that provide the optimal structural integrity, weight, and performance for use in approved on-highway and vocational applications.

One piece torque rods are manufactured to specific lengths to provide a simple and easy installation procedure to help improve vehicle uptime.

ULTRA ROD PLUS and ULTRA ROD Two Piece Torque Rods eliminate the need to carry a vast array of one piece torque rod inventory... just measure, cut and weld.

- Two piece torque rods with empty hubs or equipped with bushings provide the option to make any length torque rod with any bushing configuration.

PRODUCT PROFILES

* Based on internal testing of bushing walkout, retention and durability. Actual product performance may vary depending on component and vehicle configuration, operation, service and other factors.



Hendrickson Bushings — whether the application is an on-highway or a severe-duty vocational truck, Hendrickson offers the right bushings for the job. Bushings are offered in various straddle and taper pin measurement options.

XTRB™	BONDED	CONVENTIONAL
-------	--------	--------------

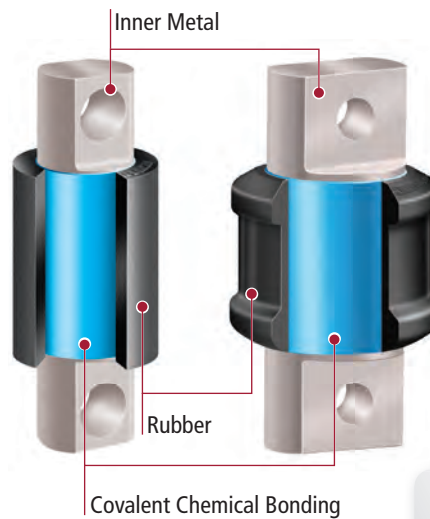
XTRB Bushings are the right solution for extreme applications.

- Uses a combination of chemical bonded rubber, hardened steel bar pin, and a curled steel casing to vastly improve durability
- XTRB provides a very high level of axial retention and an incredibly high amount of walk-out resistance while maintaining the performance of the suspension
- Hendrickson uses advanced fatigue testing methods to measure the performance of rubber bushings. The XTRB bushing has proven to last up to *five times longer than other rubber torque rod bushings in engineering tests.

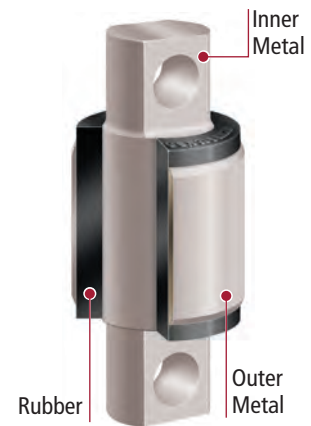


Bonded bushings utilize specialized chemical reactions during the in-mold curing process to physically bond the inner metal to the rubber and help extend the bushing's service life. Bonding the rubber to the inner metal eliminates...

- Friction-generated heat to improve the life of the bushing
- Detrimental effects caused by rubber-to-metal slip often exhibited in conventional bushing construction



Conventional bushings are an economical alternative to Hendrickson's XTRB and bonded bushings for ULTRA ROD PLUS and with the outer metal sleeve, make re-bushing simpler.



Refer to **Hendrickson's Torque Rods and Bushings Selection Guide**, Literature No. 45745-148 for additional part number information.

Torque Rod Bushing Funnel Tools

The funnel tools are available to order through Hendrickson, contact your authorized Hendrickson distributor.

Part No. 66086-001L ULTRA ROD • Part No. 66086-000L ULTRA ROD PLUS





Hendrickson, the leader in suspension technology and the experts in walking beam suspensions, offers conversion kits that deliver reliability and quality through innovative design and advanced manufacturing methods.

REAR SUSPENSION CONVERSION PROCESS — Hendrickson can aid you in the selection of a Hendrickson rear suspension kit to meet your vehicle requirements. Suspension conversions, glider kit installations, and custom truck applications are made simple with Hendrickson's suspension conversion kits.

Rear Suspension Selection Guide

Air Suspensions

AR2 — *Original equipment or aftermarket replacement truck air suspension*

- Applications include dump, crane/boom and platform
- Converts most RT • RTE steel spring suspensions to an air suspension
- Better ride, longer component life, reduced weight, and improved durability
- High articulation capabilities for on- and off-highway applications
- Capacities of 40,000 and 46,000 lb.



COMFORT AIR — *Single axle, air suspension designed for passenger and driver comfort*

- Various medium-duty truck, bus, ambulance and motor home applications
- Wide frame hanger footprint reduces stress to the frame
- Suspension geometry improves ride and handling
- QUIK-ALIGN axle alignment system simplifies axle alignment
- Capacities ranging from 15,000 to 28,000 lb.



HAS — *Air suspension*

- Suited for both on- and off-highway applications
- Large-volume air springs deliver excellent ride quality and cargo protection
- Approved for up to 25 percent off-highway use
- Approved for use with lift axles
- Optional inboard shocks available
- Capacities of 40,000 and 46,000 lb.



PRIMAAX EX — *Severe-duty vocational air suspension*

- Ideal for dump, logging, refuse, mixer, crane, oil field, military and heavy-haul applications
- Optimized configuration helps improve handling and roll stiffness for expanded applications
- Axle connection and torque rods help reduce torsional axle stress and driveline vibration
- Large-volume, low frequency air springs provide a smooth ride for on- and off-highway use
- Up to 12.5 in. of diagonal wheel articulation for superior mobility
- Capacities of 23,000 and 26,000 lb. (single), 46,000 and 52,000 lb. (tandem), and 69,000 and 78,000 lb. (tridem)





Walking Beam Suspensions

RT•RTE — Durable steel leaf spring suspension

- Well suited for dump, refuse, mixer and military applications
- Proven reliability for over 90 years
- RTE Series features extended leaf spring for improved unloaded ride quality and loaded stability
- RT capacities up to 65,000 lb. and RTE capacities up to 50,000 lb.



HAULMAX — Heavy-duty lightweight rubber suspension

- Recommended for dump, refuse, mixer, logging and military applications
- Provides superior combination of empty ride and loaded stability
- Reduced maintenance with fewer bushings and no lubrication requirements
- Up to 17 in. of diagonal articulation for greater off-highway mobility
- Capacities of 40,000 and 46,000 lb.



R•RS — Severe-service suspensions

- Exceptional performance in mining, oil field, mixer, refuse, logging and other specialty applications
- R series solid mount is an extra heavy-duty suspension where maximum roll stability is essential
- RS rubber load cushions absorb shock and provide high stability for severe-service applications
- Capacities up to 120,000 lb.



RS Shown

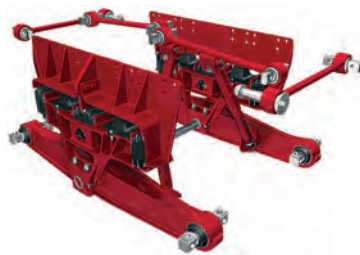
HN — Heavy-duty rubber suspension

- Applications include dump, refuse, mixer, logging and military
- VARIRATE® system provides excellent loaded stability and unloaded ride quality
- Up to 17 in. of diagonal articulation contributes to outstanding traction
- Reduced maintenance with fewer bushings and no lubrication requirements
- Capacities of 40,000, 46,000 and 52,000 lb.



ULTIMAAX — Advanced severe-duty rubber suspension

- Recommended for dump, logging, refuse, mixer, oil field and mining applications
- Optimized design to balance robust durability and weight savings
- Progressive rate springs provide a unique balance of unloaded ride quality and loaded stability
- Fabricated walking-beam design equalizes axle loading while providing optimal clearance, axle travel and weight
- Capacities up to 60,000 lb. with additional capacities under development



Not included in Rear Suspension Aftermarket Kits
Axle beam hangers and torque rod axle brackets (supplied by the respective vehicle manufacturer)



SUSPENSION PERFORMANCE RATING*

	AR2	COMFORT AIR	HAS	PRIMAAX EX	HAULMAAX	HN	RT	RTE	R	RS	ULTIMAAX
Ride Quality– Loaded	9	10	10	10	8	8	7	7	5	5	8
Ride Quality–Unloaded	9	10	10	10	8	8	5	7	3	3	8
Mobility/Articulation	9	6	5	9	10	10	9	9	9	9	9
Stability Off-Highway	5	6	6	8	9	9	7	7	9	9	8
Durability	8	5	5	9	9	9	10	10	10	10	9

RATING SCALE

Ride Quality —

describes how well the suspension absorbs road shock as the truck encounters bumps, potholes, and other road irregularities.

- 9-10** Minimal bounce, fore/aft, and lateral movement
- 7-8** Some bounce, fore/aft, and lateral movement
- 3-6** Regular bounce, fore/aft, and lateral movement

Mobility/Articulation —

describes how well the suspension provides traction and maneuverability, especially the ability to maneuver over obstacles and avoid getting stuck.

- 9-10** Loaded diagonal articulation is greater than 12"
- 7-8** Loaded diagonal articulation is 8"-12"
- 5** Loaded diagonal articulation is 7"

Stability Off-Highway —

describes how well the suspension resists vehicle leaning in lower speed operations on job sites, particularly during loading and unloading.

- 9-10** Comfortable to maneuver across most grades on typical job sites
- 7-8** Comfortable to maneuver across moderate grades on typical job sites
- 5-6** Comfortable to maneuver across level ground and shallow grade

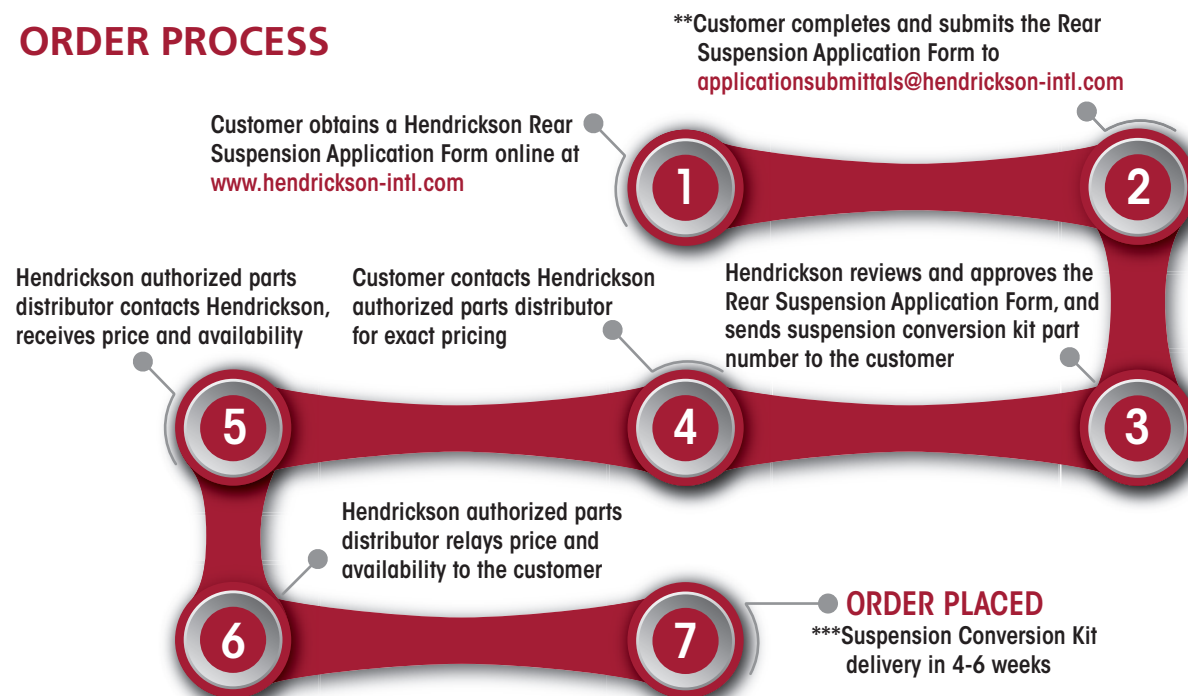
Durability —

describes the ability of a suspension to withstand rigorous operation over the life of the vehicle.

- 9-10** Designed for more than 50% off-highway operation fully loaded
- 7-8** Designed for 30-50% off-highway operation fully loaded
- 4-6** Designed for 15-30% off-highway operation

* These ratings are intended for reference and comparison purposes only, and are not based on actual measurements. Actual product performance may vary depending upon vehicle configuration, operation, service and other factors.

ORDER PROCESS



** For questions contact truckparts@hendrickson-intl.com

*** Rush delivery – if available, may be subject to additional charges for special services, which include, but not limited to, expedited delivery and additional freight costs. Please contact Hendrickson for more details on these services.

Selection Guides



Contents

Equalizing Beams and Components	50
RS™ Frame Hanger	60
RT™ • RTE™ Leaf Spring Hanger	65
Torque Rods and Replacement Bushings	70



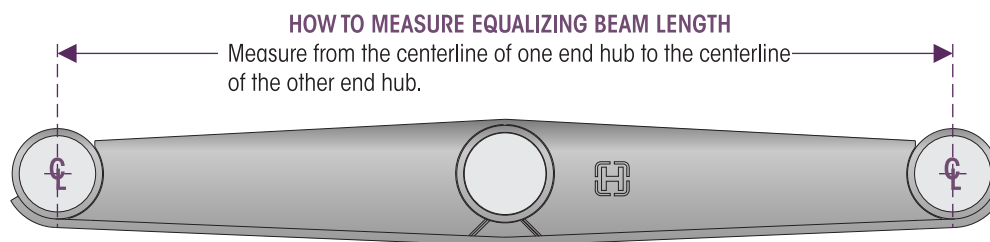
■ Introduction

This Equalizing Beam and Components Selection Guide is intended to aid in the proper identification for aftermarket replacement of originally equipped equalizing beam and other components. It helps determine the proper and complete beam assembly part numbers, end bushing service kit numbers and center bushing requirements.

■ Important Notes

Equalizing beams are available for suspensions with 34,000 pound to 120,000 pound capacity with axle spacing of 52"-72½". All equalizing beam assemblies include end bushings and center bushings (if equipped). Hendrickson **DOES NOT** supply equalizing beam assemblies without bushings.

Equalizing beam length is measured from the centerline of one end hub to the centerline of the other end hub.



Fabricated equalizing beam — Hendrickson introduced the improvement from a forged/cast equalizing beam to a fabricated beam design for up to 46,000 pound capacity between August 1999 and March 2000. In February 2008 the fabricated beam was introduced for 52,000 pound and up capacity vehicles. The fabricated beam is completely interchangeable with the discontinued forged beam.

Center bushing Part Number 29483-005 — **ALWAYS REQUIRES** transverse torque rods. When using the fabricated style beams, the entire beam assembly must be replaced when converting from a rubber center bushing to a bronze center bushing to accommodate for the grease fitting and channel installation. To convert from rubber center bushings to bronze center bushings, contact Hendrickson Truck Parts.

End bushings — Both **shim and non-shim type bar pin** end bushings are completely interchangeable with the **rotating bar pin** end bushings. Once pressed into the beam, the pins can be rotated to the correct angle for a perfect installation. The bushing pins become fixed at the required angle when the installation is properly completed. It helps save time and labor costs by eliminating re-work from incorrectly installed bushings. No special tools are required to rotate the bushing.

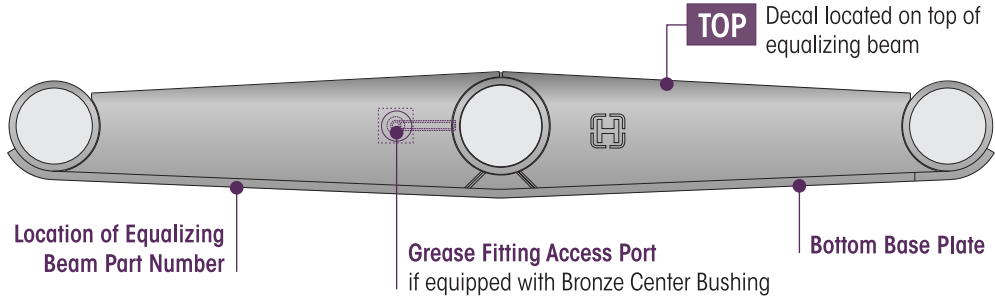


⚠ WARNING

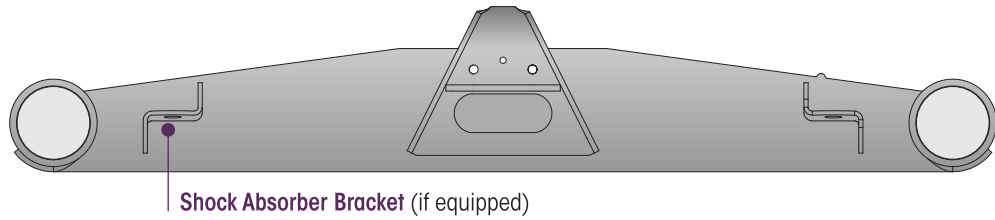
FABRICATED BEAM ASSEMBLY ORIENTATION IT IS IMPORTANT THAT THE ORIENTATION OF THE BEAM BE IN THE UPRIGHT POSITION. A DECAL MAY BE AFFIXED TO THE TOP OF BEAM TO ASSIST IN ASSEMBLY AND TO VERIFY ORIENTATION. FAILURE TO INSTALL EQUALIZING BEAM PROPERLY MAY RESULT IN LOSS OF VEHICLE CONTROL AND POSSIBLE PERSONAL INJURY OR PROPERTY DAMAGE.

FABRICATED BEAMS

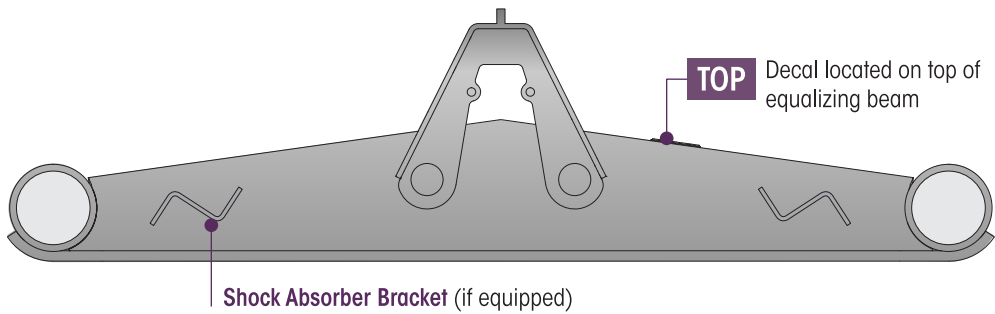
AR2™ • R™ • RS™ • RT™ • RTE™



HAULMAAX®

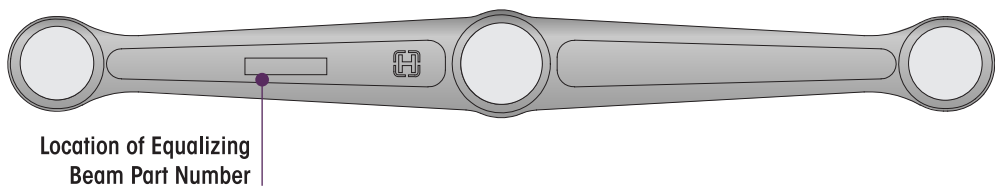


HN®



FORGED / CAST BEAMS

AR2 • R • RS • RT • RTE



SELECTION GUIDES



Bar Pin End Bushing Service Kits

Two (2) kits required per beam

Non-Shim type 34013-087L

Description	Quantity
Bar Pin End Bushing	1
1"-8 UNC x 6" Hex Bolt	2
1" Hardened Washer	4
1"-8 UNC Locknut	2



Shim type 34013-088L

Description	Quantity
Bar Pin End Bushing	1
Bar Pin Shim 0.25" x 0.12"	2
1"-8 UNC x 6" Hex Bolt	2
1" Hardened Washer	4
1"-8 UNC Locknut	2



Shim type, Rotating 34013-188L

Description	Quantity
Bar Pin End Rotating Bushing	1
Bar Pin Shim 0.25" x 0.12"	2
1"-8 UNC x 6" Hex Bolt	2
1" Hardened Washer	4
1"-8 UNC Locknut	2



Bronze center Bushing Service Kits

One (1) kit required per beam

34013-053 • 34013-054L • 34013-055L

Description	Quantity
Bronze Center Bushing	1
Beam Center Sleeve	1
Beam Center Seal	2
Thrust Washer	4
Grease Fitting	1



Rubber center bushings



SELECTION GUIDES

Equalizing Beams with Bar Pin End Bushings – AR2 • R • RS • RT • RTE

Equalizing Beam Length	Material	Casting/Fabrication Number	Assembly Part Number		Bronze Center Bushing Kit Number	⊕ Bar Pin End Bushing Kit Number
			Original	Replacement		
34K						
52"	Fabricated	58755-002	50001-014		34013-053	34013-087L
			50501-014			34013-088L
54"		58755-001	50001-016			34013-087L
			50501-016			34013-088L
40K • 46K						
52"	Fabricated	67453-002	50001-015		34013-054L	34013-087L
			50501-015			34013-088L
54"		67453-001	50001-017			34013-087L
			50501-017			34013-088L
48K • 50K • 52K						
52"	Fabricated	67091-521	50501-021		34013-054L	34013-088L
54"			50501-022			
56"	Cast	45876-000	50001-008			34013-087L
			50501-008			34013-088L



Equalizing Beams with Bar Pin End Bushings – AR2 • R • RS • RT • RTE

Equalizing Beam Length	Material	Casting/ Fabrication Number	Assembly Part Number		Rubber Center Bushing Part Number	⊕ Bar Pin End Bushing Kit Number
			Original	Replacement		
34K • 40K						
52"	Fabricated	60855-002	50000-024		06664-000L	34013-087L
			50500-024			49400-000L
54"		60855-001	◆ 50000-025	50500-025	06664-000L	
			◆ 50000-027	50500-027		49400-000L
56"	Cast	67453-002	◆ 50000-010	50500-010	49400-000L	
★ 60"	Fabricated	58755-003	50000-030			49400-000L
			50500-030		34013-088L	
★ 72½"		29585-007	◆ 50000-014	50500-014		
46K						
52"	Fabricated	60855-002	◆ 50000-026	50500-026	★ 29483-005L	34013-088L
54"		60855-001	50000-029			34013-087L
			50500-029			
★ 72½"		29585-007	50000-015			34013-087L
	50500-015			34013-088L		
48K • 50K • 52K						
52"	Fabricated	67091-520	50500-039		★ 29483-005L	34013-088L
54"		67091-540	50500-040			
56"	Cast	45876-000	◆ 50000-011	50500-011		34013-087L
★ 60"	Fabricated	58755-003	50000-031			
			50500-031			
★ 72½"		31121-030	◆ 50000-016	50500-016		

★ Requires transverse torque rods.

◆ Part number no longer in production, see Replacement Column or contact Hendrickson Truck Parts for available options.

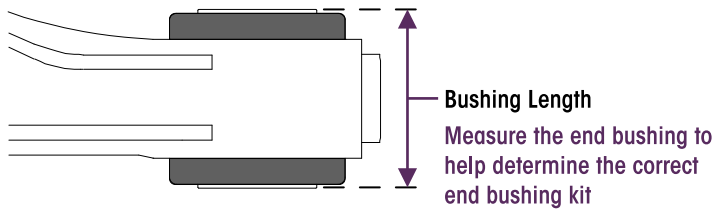
⊕ Rotating bar pin end bushing with shims Kit Number 34013-188L can be used to replace Kit Numbers 34013-088L or 34013-087L and are completely interchangeable.



Adapter Style End Bushing Kits

Two (2) kits required per beam

How to Measure Adapter Style End Bushing Length



Capacity Rating	End Bushing Length	End Bushing Part Number	End Bushing Service Kit
34K	5¼"	06969-000L	34013-048L
34K • 38K • 40K • 44K • 46K	5¾"	45900-000L	34013-049L
46K			34013-073L
48K • 52K	5¾"	29878-001L	34013-050L
52K	6"	45407-000L	34013-051L
65K	6"	10363-000L	34013-052
	7"	10364-000L	34013-110L

End Bushing Service Kit contents

Description	Quantity
Adapter Style End Bushing	1
Beam End Adapter	2
Adapter Tube	1
Hex Bolt	1
Hardened Washer	2
Locknut	1

SELECTION GUIDES

Equalizing Beams with Adapter Style End Bushings - AR2 • R • RS • RT • RTE

Equalizing Beam Length	Material	Casting/Fabrication Number	Assembly Part Number		Bronze Center Bushing Kit Number	Adapter End Bushing Kit Number
			Original	Replacement		
34K - 5¼" & 5¾" ADAPTER STYLE END BUSHINGS						
52"	Fabricated	58755-002	30247-150		34013-053L	34013-049L
54"		59068-001	30247-153			
38K • 40K • 44K • 46K - 5¾" ADAPTER STYLE END BUSHINGS						
50"	Fabricated	46325-006	◆ 30247-111		34013-054L	34013-049L with ¾" x 6½" Bolt
52"		67453-002	30247-151			
54"		67453-001	30247-153			
56"	Cast	45876-000	30247-108			34013-073L with 1" x 10½" Bolt
48K • 52K - 5¾" ADAPTER STYLE END BUSHINGS						
52"	Fabricated	67091-521	30247-154		34013-054L	34013-050L
54"		67091-541	30247-156			
56"	Cast	45876-000	30247-100			
52K - 6" ADAPTER STYLE END BUSHINGS						
52"	Fabricated	67091-521	30247-155		34013-054L	34013-051L
54"		67091-541	30247-157			
56"	Cast	45876-000	30247-101			

◆ Part number no longer in production, see Replacement Column or contact Hendrickson Truck Parts for available options.



Equalizing Beams with Adapter Style End Bushings – AR2 • R • RS • RT • RTE

Equalizing Beam Length	Material	Casting/ Fabrication Number	Assembly Part Number		Rubber Center Bushing Part Number	Adapter End Bushing Kit Number
			Original	Replacement		
34K – 5¼" & 5¾" ADAPTER STYLE END BUSHINGS						
50"	Fabricated	29584-007	◆ 07500-591		06664-000L	34013-048L
52"			◆ 07500-592			34013-049L
54"		07500-593				
60"	Cast	47480-000	07500-491			
38K • 40K – 5¾" ADAPTER STYLE END BUSHINGS						
50"	Fabricated	29585-027	07500-458		05919-000L	34013-049L
52"		60855-002	07500-594			
54"		60855-001	07500-597			
56"	Cast	45876-000	07500-555		49400-000L	
★ 60"	Fabricated	58755-003	07500-599			
★ 72½"		29585-007	07500-553			
44K • 46K – 5¾" ADAPTER STYLE END BUSHINGS						
52"		60855-002	07500-595		★ 29483-005L	34013-049L
54"		60855-001	07500-598			
56"	Cast	45876-000	07500-472			
★ 60"	Fabricated	58755-003	07500-600			
1700 mm		56735-000	07500-576			
★ 72½"		29585-007	07500-474			
48K • 52K – 5¾" ADAPTER STYLE END BUSHINGS						
52"	Fabricated	67091-520	07500-606		★ 29483-005L	34013-050L
54"		67091-540	07500-608			
56"	Cast	45876-000	07500-441			
★ 60"	Fabricated	58755-003	07500-602			
★ 72½"		31121-030	07500-511			
52K – 6" ADAPTER STYLE END BUSHINGS						
52"	Fabricated	67091-520	07500-607		★ 29483-005L	34013-051L
54"		67091-540	07500-609			
56"	Cast	45876-000	07500-442			
★ 60"	Fabricated	58755-003	07500-603			
★ 72½"		31121-030	07500-541			
76"		31121-024	07500-524			
80"		31121-032	07500-605			

RUBBER CENTER

SELECTION GUIDES

★ Requires transverse torque rods.

◆ Part number no longer in production, see Replacement Column or contact Hendrickson Truck Parts for available options.



Heavy-duty Equalizing Beams with Adapter Style End Bushings – R • RS • RT • RTE

Equalizing Beam Length	Material	Casting/Fabrication Number	Assembly Part Number		Bronze Center Bushing Kit Number	Adapter End Bushing Kit Number	Total Offset "A"
			Original	Replacement			
65K – 6" ADAPTER STYLE END BUSHINGS							
56"	Fabricated	68650-561	30247-106	30247-159	34013-055L	34013-052	2¾"
60"		68650-601	30247-094	30247-161			2¼"
72"		31122-020	30247-130				
65K – 7" ADAPTER STYLE END BUSHINGS							
56"	Fabricated	68650-561	30247-121	30247-162	34013-055L	34013-110L	3¼"
60"		68650-601	30247-158	30247-160			
44K • 52K • 60K • 90K SERIES – BRONZE TUBE & NUT ENDS							
50"	Fabricated	30934-000	◆ 30644-001		34013-054L	34013-056	0"
52"	Forged/ Cast	34876-000	30644-003				
54"		◆ 11755-002	◆ 07600-011		34013-080 Solid Sleeve 34013-081L Hollow Sleeve	34013-057L	2"
		◆ 07600-025		34013-078 Solid Sleeve 34013-079L Hollow Sleeve			
56"		Fabricated	46450-011	◆ 30644-008		34013-054L	34013-056
58"	26997-000		07600-132		34013-080 Solid Sleeve 34013-081L Hollow Sleeve	34013-057L	
	07600-133			34013-078 Solid Sleeve 34013-079L Hollow Sleeve			

SELECTION GUIDES

BRONZE CENTER

◆ Part number no longer in production, see Replacement Column or contact Hendrickson Truck Parts for available options.



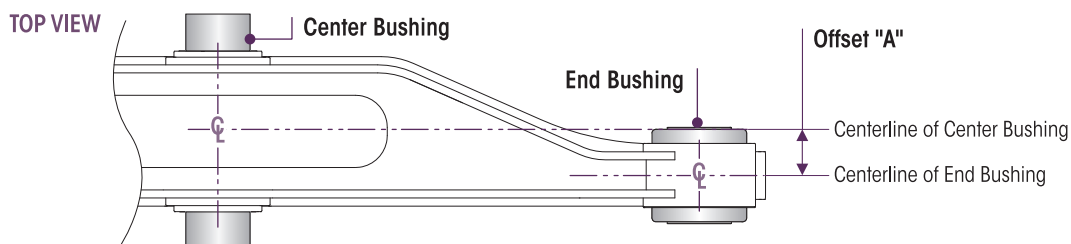
Heavy-duty Equalizing Beams with Adapter Style End Bushings – R • RS • RT • RTE

Equalizing Beam Length	Material	Casting/Fabrication Number	Assembly Part Number		Rubber Center Bushing Part Number	Adapter End Bushing Kit Number	Total Offset "A"		
			Original	Replacement					
65K – 6" ADAPTER STYLE END BUSHINGS									
50"	Fabricated	31122-002	07500-116		10366-000L	34013-052	1½"		
54"		31122-016	07500-454				2¾"		
		31122-017	07500-482				1½"		
56"	Cast	68650-560	◆ 07500-198	07500-613			10366-000L	34013-052	2¾"
		59409-000	07500-446						2¼"
			07500-601						
60"		68650-600	◆ 07500-453	07500-612					
64"	Fabricated	31122-010	07500-399			34013-110L			1½"
72"		31122-003	07500-214						
75"		31122-009	07500-378						34013-052
65K – 7" ADAPTER STYLE END BUSHINGS									
56"	Fabricated	68650-560	◆ 07500-490	07500-614	10366-000L	34013-110L	3¼"		
60"		68650-600	◆ 07500-400	07500-611					
64"		31122-010	07500-532						
72"		31122-022	07500-581						
85K – ADAPTER STYLE END BUSHINGS									
56"	Fabricated	69250-002	07500-104	07500-617	15464-000L	34013-110L	2"		
58"		69250-005	07500-157	07500-620					
60"		69250-001	◆ 07500-182	07500-616					
		65410-000	07500-604						
64"		69250-003	◆ 07500-180	07500-618					
72"		69250-006	07500-068	07500-622					
75"		69250-004	◆ 07500-432	07500-619					
100K • 120K – ADAPTER STYLE END BUSHINGS									
64"	Fabricated	67878-000	07500-579		14110-000L	15424-000L	3"		
80"		69571-000	07500-577	07500-615					

RUBBER CENTER

SELECTION GUIDES

Figure 1



◆ Part number no longer in production, see Replacement Column or contact Hendrickson Truck Parts for available options.



Equalizing Beams with Bar Pin End Bushings - HAULMAAX • HN

Equalizing Beam Length	Material	Casting/Fabrication Number	Assembly Part Number	⊕ Bar Pin End Bushing Kit Number
HAULMAAX 40K • 46K				
52"	Fabricated with Shock Bracket	64830-003	64846-003	34013-088L
54"		64830-001	64846-001	
60"		64830-002	64846-002	
72½"		64830-004	64846-010	
52"	Fabricated without Shock Bracket	64836-003	64847-003	
54"		64836-001	64847-001	
60"		64836-002	64847-002	
72½"		64830-004	64846-010	
HN 40K				
52"	Fabricated	58348-002	57889-004	34013-087L
			57889-005	34013-088L
54"		58348-001	57889-001	34013-087L
			57889-002	34013-088L
HN 40K • 46K				
60"		58684-001	58494-005	34013-087L
			58494-006	34013-088L
72½"		58711-001	58494-009	34013-087L
			58494-010	34013-088L
HN 46K				
54"	Fabricated	58409-001	58494-001	34013-087L
			58494-002	34013-088L
HN 52K				
54"	Fabricated	59972-001	59973-003	34013-088L

SELECTION GUIDES

Equalizing Beams with Rotating Bar Pin End Bushings


Production Part No.	*Beam Length	New Service Part No.	Production Part No.	*Beam Length	New Service Part No.
HAULMAAX EQUALIZING BEAM			HN EQUALIZING BEAM		
64846-001	54" with Shock Bracket	080225-001	58494-002	54"	080227-002
64847-001	54" without Shock Bracket	080226-001	57889-008	52"	080228-008
64847-004					
R • RS • RT • RTE EQUALIZING BEAM WITH BRONZE CENTER BUSHING					
50501-017	54"	080476-017			
50501-015	52"	080476-015			

⊕ Rotating bar pin end bushing with shims Kit Number 34013-188L can be used to replace Kit Numbers 34013-088L or 34013-087L and are completely interchangeable.

* Beam lengths are determined by measuring the distance from the spindle center of the front drive axle to the spindle center of the rear drive axle.



Center Bushing End Plugs for Cross Tube Replacement – AR2 • R • RS • RT • RTE

	Suspension Capacity	Rubber Center Bushing Part Number	End Plug Part Number	Bronze Center Sleeve Part Number	End Plug Part Number
	*34K through 52K				
34K		06664-000L	22278-000	14684-000	22278-000
		22279-000L			
38K		05919-000L	22281-000	14685-000	57263-000
		22282-000L			
40K		+ 49400-000L	22281-000	14685-000	57263-000
		+ 49600-000L			
46K to 52K		29483-005L	22281-000	14685-000	57263-000
		34013-097L			

* On heavy-duty suspensions over a 52,000 pound capacity, Hendrickson recommends removal of both equalizing beams as part of cross tube replacement. Therefore center bushing end plugs are not available for these higher capacity suspensions. Refer to the applicable Technical Procedure Publications available on-line at www.hendrickson-intl.com for more information.

+ High confinement bushings.



■ Introduction

This RS Frame Hanger Selection Guide is intended to aid in the proper identification for aftermarket replacement of originally equipped RS drilled hangers and heavy-duty center hangers. On glider kit installations, where we do not have control of hanger usage, ensure that the proper hangers are used for the glider frame width.

Refer to Hendrickson RS Suspension Technical Lit. Nos. SP-166, 17730-064, 17730-190 and 17730-213 for additional information on proper maintenance, service, repair and rebuild instructions available on-line at www.hendrickson-intl.com

■ Selection Guide Instructions

STEP 1 Obtain the frame hanger part number.

STEP 2 Identify the truck manufacturer.

STEP 3 Measure outside to outside frame width.

STEP 4 If needed, refer to the hole diameters **Dimension A** and where available, the measurement taken from the bottom of the frame to the first line of holes of the hanger **Dimension B**.

STEP 5 In some cases the vehicle manufacturer has changed the drill patterns while still using the same casting number, contact vehicle manufacturer to request specifications. Always use hole location dimensions as a final check.

NOTE When replacing RS suspension hangers, Hendrickson recommends a minimum of a 5/8" Grade 8 bolt, Grade C locknut and hardened washers to attach frame hangers to the vehicle frame, in some vehicles the holes in the frame may need to be enlarged to accommodate 5/8" fasteners.

For any casting number or a truck manufacturer not listed, contact Hendrickson Truck Parts toll-free at 1-866-755-5968 e-mail: truckparts@hendrickson-intl.com.



Load Cushions

The RS Series suspensions are equipped with standard four rubber load cushions. Each cushion has an inner cross bar that helps support the load when the vehicle is loaded. An empty vehicle is supported only by the outer edges of the cushions.

Vertical Drive Pin

The RS Series frame hangers have vertical drive pins that extend down through the load cushions and are secured to rubber vertical drive bushings in the saddle.

Rebound Control Stop Kit

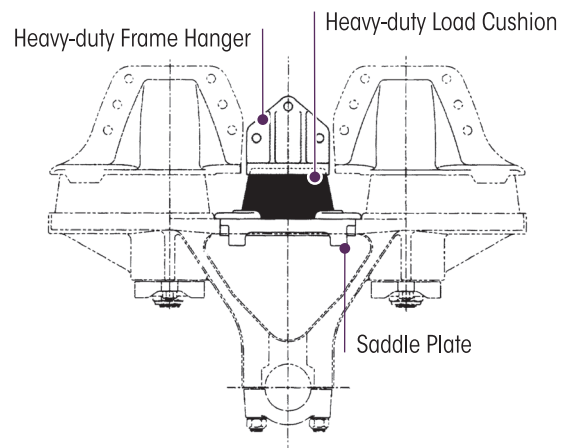
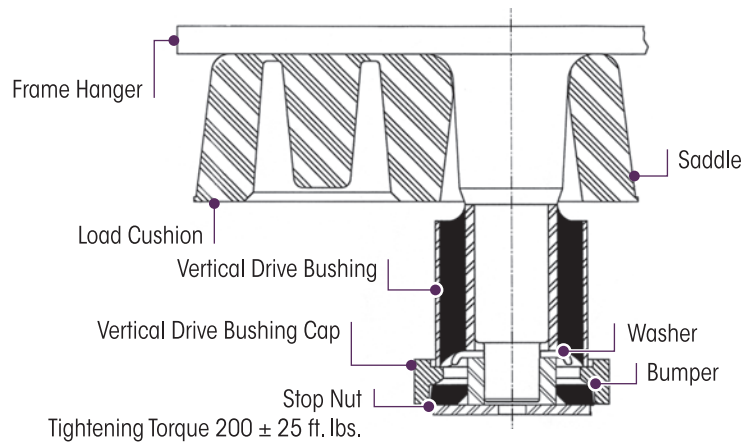
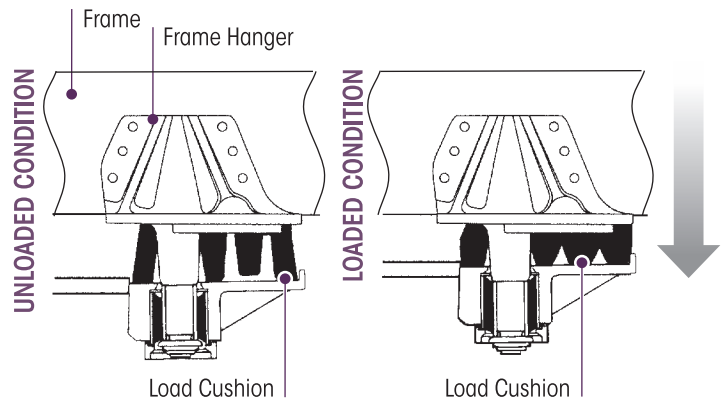
A rebound control stop kit consisting of special stop nuts and elastomer bumpers is available to increase stability in high center of gravity or offset loading vehicles. Rebound control stop kit is optional for 40,000 through 48,000 pounds capacities and standard on 52,000 pounds units.

Rebound Control Stop Kit	
Kit No.	
31005-001	One Side
31005-002	Both Sides

Heavy-Duty Load Cushion Kit

The heavy-duty load cushion kit for increased stability consists of an additional round center cushion and related frame hanger for each side of the chassis. Heavy-duty Load Cushion Kit is optional for 40,000 pounds capacities and standard on 46,000 through 52,000 pounds units.

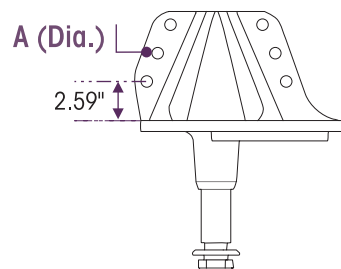
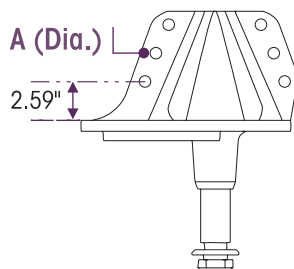
Heavy-duty Load Cushion Kit	
Kit No.	Frame Width
20681-072	34"
20681-077	34½"



SELECTION GUIDES



Vehicles Built From 1990 to present



Left Hand Front • Right Hand Rear

Right Hand Front • Left Hand Rear

FITS FRAME WIDTH 33.94" TO 34.19" (0.09" HANGER OFFSET)

Casting No. 57063-000
Replaced 48219-000 in 1994

Casting No. 57066-000
Replaced 48221-000 in 1994

OEM	Dimension A Hole Dia. (in inches)	Previous Part No.	Replacement Part No.	Dimension A Hole Dia. (in inches)	Previous Part No.	Replacement Part No.
Ford • Sterling	0.83	48220-001	57065-001	0.83	48222-001	57068-001
Duplex Truck • Emergency One Freightliner • HME International Truck (Pre-1997) Kenworth • Mack • Marmon Oshkosh • Peterbilt • Peter Pirsch Pierce • Savage Mfg. • Sutphen Western Star	0.66	48220-002	57065-002	0.66	48222-002	57068-002
Peterbilt	0.66	48220-003	57065-003	0.66	48222-003	57068-003
Mack	0.69	48220-004	57065-004	0.69	48222-004	57068-004
International Truck	0.66	48220-006	57065-006	0.66	48222-006	57068-006

FITS FRAME WIDTH 34.44" TO 34.69" (0.34" HANGER OFFSET)

Casting No. 57057-000
Replaced 48215-000 in 1994

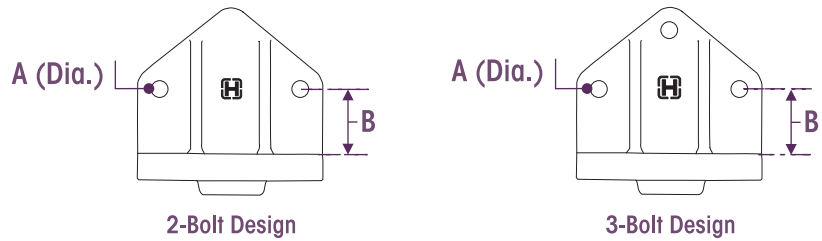
Casting No. 57060-000
Replaced 48217-000 in 1994

Ford	0.83	48216-001	57059-001	0.83	48218-001	57062-001
GM • International Truck (Pre-1997) Mack • Volvo	0.66	48216-002	57059-002	0.66	48218-002	57062-002
Peterbilt • Western Star	0.66	48216-003	57059-003	0.66	48218-003	57062-003
Freightliner	0.66	48216-004	57059-004	0.66	48218-004	57062-004
International Truck	0.66		57059-005	0.66		57062-005

SELECTION GUIDES



Heavy-duty Frame Hangers

**FITS FRAME WIDTH 33.50" (0.19" HANGER OFFSET)**

Casting No. 49117-000

OEM	Dimension A Hole Dia. (in inches)	Number of Bolts	Dimension B (in inches)	Part No.
Mack	0.66	2	2.12	49118-000

FITS FRAME WIDTH 33.94" TO 34.19" (0.09" HANGER OFFSET)

Casting No. 48522-000

Replaces 20780-000

Advance Mixer • Crane Carrier • Duplex Truck Freightliner (Pre-1984) • Mack • Marmon International Truck • Western Star (Pre-1988)	0.66	3	1.88	48523-001
Kenworth • International Truck • Pierce Mfg. Savage Mfg. • Western Star	0.66	3	2.25	48523-002
Freightliner • HME • Peterbilt	0.66	3	2.25	48523-003
Oshkosh	0.66	2	2.25	48523-004
Ford • Sterling	0.66	2	2.38	48523-005
Oshkosh	0.53	3	1.88	48523-006
Mack	0.66	2	2.12	48523-007

FITS FRAME WIDTH 33.44" TO 34.69" (0.34" HANGER OFFSET)

Casting No. 48524-000

Replaces 30088-000

Freightliner • GM • Mack • Peterbilt • Volvo	0.66	3	2.25	48525-001
International Truck	0.66	3	2.25	48525-006
International Truck	0.66	3	2.50	48525-008
Peterbilt	0.66	3	2.50	48525-009

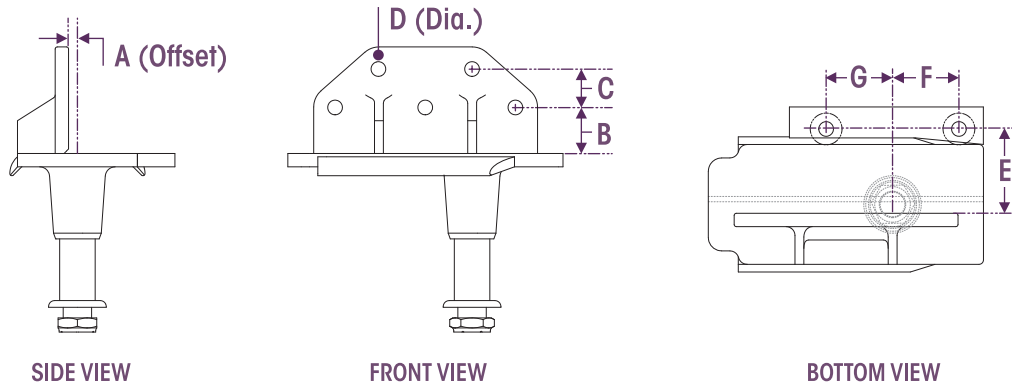
FITS FRAME WIDTH 34.75" TO 35.00" (0.50" HANGER OFFSET)

Casting No. 49119-000

Ford • Sterling	0.66	2	2.36	49120-001
Ford (Pre-1983) • Osterlund • Spartan	0.66	3	2.25	49120-002



Fabricated RS Hangers



SELECTION GUIDES

Part Number		FITS FRAME WIDTH 33.94" - 35.0"						
		Dimensions (in inches)						
Left Hand Front Right Hand Rear	Right Hand Front Left Hand Rear	A Offset	B	C	D Hole Dia.	E	F	G
048082-033	048082-034	0.09	2.25	1.88	0.66	4.50	3.70	3.70
048082-031	048082-032		2.60	2.17	0.83	4.60		
048082-037	048082-038		0.66	0.66	0.66	4.60		
048082-023	048082-024	0.34	2.25	1.88	0.66	4.50	3.70	3.70
048082-035	048082-036	0.50	2.36	2.19	0.76	4.63	3.70	3.70
048082-025	048082-026		2.60	2.17	0.83	4.75		
048082-003	048082-004	0.63	2.25	1.88	0.66	4.50	2.44	7.69
048082-043	048082-044		5.00	5.00	5.00			
048082-021	048082-022	0.84	2.25	1.88	0.66	5.00	2.44	7.69
048082-041	048082-042		5.19	5.19	5.19			
048082-001	048082-002	0.91	2.25	1.88	0.66	4.37	1.37	6.62
048082-015	048082-016		4.50	4.50	4.50	2.44	2.44	7.69



■ Introduction

This RT•RTE Frame Hanger Selection Guide is intended to aid in the proper identification for aftermarket replacement of originally equipped RT•RTE•RU•RUE•U•UE drilled hangers.

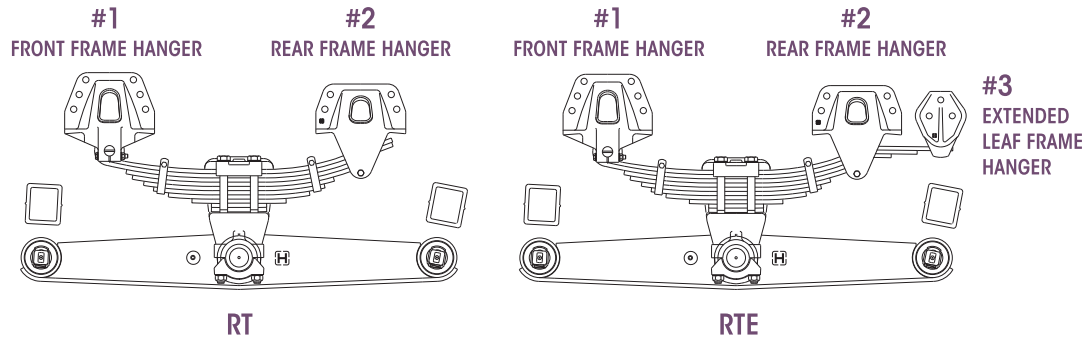
Refer to RT•RTE suspension Hendrickson publications:

- SP-168 for part numbers, exploded views, service kits and service tools.
- 17730-070, 17730-149 and 17730-214 for proper maintenance, service, repair and rebuild instructions. The latest version of these publications are available on-line at www.hendrickson-intl.com.

■ Selection Guide Instructions

STEP 1

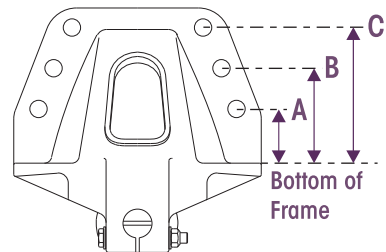
Identify Hanger



STEP 2

Find Bolt Hole Pattern Dimensions

Common 6 - Hole Bolt Patterns	A	B	C
	2 ¹ / ₁₆ "	5 ³ / ₈ "	7 ⁵ / ₈ "
	2 ¹ / ₁₆ "	4 ¹ / ₂ "	6 ⁷ / ₁₆ "



STEP 3

Confirm the Vehicle Year, Manufacturer and Obtain the Casting Part Number

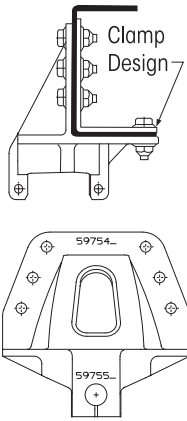
Contact Hendrickson Truck Parts for questions regarding a casting number or a vehicle manufacturer not listed, e-mail: truckparts@hendrickson-intl.com.



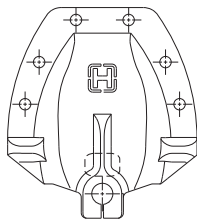
#1 Front Frame Hanger

SELECTION GUIDES

CLAMP MOUNT



RT 65k•70k

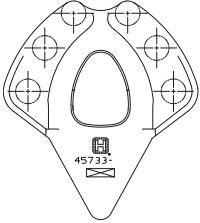
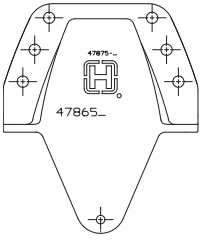
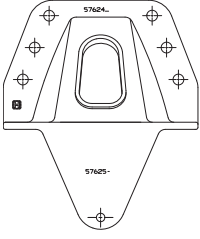
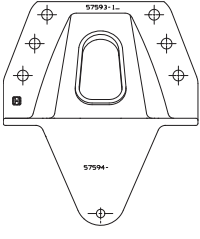


	Casting Number		1 3/8" Spring Pin Diameter		Remarks
	Original	Replacement	Original	Replacement	
◆ 20395-000	50188-000	◆ 24311-000 ◆ 25913-000 ◆ 32503-000 ◆ 45404-001 ◆ 45404-002	50189-003		
◆ 43180-000	50184-000	◆ 45404-003 ◆ 45729-001	50185-001		Volvo with 3/4" bolts Mack w/body bound bolts
◆ 45159-000	50188-000	◆ 45404-002 ◆ 43181-003	50189-003		Mack, Volvo GMC, Mack, Volvo
◆ 45527-000	50180-000	◆ 45528-001 ◆ 45736-001	50181-005 50181-002		Ford
50180-000		50181-001L 50181-002L 50181-003 50181-004 50181-005 50181-007 50181-008			Ford Kenworth Peterbilt 34" frame International Mack Oshkosh Peterbilt
50184-000		50185-001 50185-002 50185-003			Mack, Volvo Freightliner 34.3" frame Mack w/body bound bolts
50188-000		50189-001L 50189-003L ◆ 50189-004 50189-006	50189-006		Ford Peterbilt 34.75" frame Freightliner International
59754-000		59755-001			Volvo 33.4" frame
45789-000		45790-001 45790-002 45790-003 45790-004			Crane Carrier, GMC, Oshkosh, Freightliner, Peterbilt 34" frame, Volvo Peterbilt 35" frame Peterbilt 34.75" frame Volvo, Mack
46548-000		46549-001 46549-002 46549-003 46549-004 46549-005 46549-006 46549-007			Oshkosh, Peterbilt, •Volvo Ford, •GMC International, •Volvo Western Star, Kenworth •GMC, International with 5th wheel clearance Kenworth

- ◆ Part number no longer in production, see Replacement Column or contact Hendrickson Truck Parts for available options.
- Contact Hendrickson Truck Parts if a casting number has several part number options for the same original equipment manufacturer.



#2 Rear Frame Hanger

	Casting Number		Part Number		Remarks	
	Original	Replacement	Original	Replacement		
	35399-001		35400-001 35400-002		International	
	35399-003		35400-003		International	
	◆ 45732-000	45732-001	45734-000		International	
	◆ 45733-000	45733-001	45735-000		International	
	◆ 43182-000	47865-001	◆ 45730-001 ◆ 45730-002 ◆ 45730-003	47875-001 47875-002 47875-001	Mack, Volvo Mack w/body bound bolts	
	◆ 49229-001		◆ 49230-001	47875-001	Mack, Volvo	
	47865-001		47875-001		Mack, Volvo	
	◆ 45160-000	57624-001	◆ 43183-003 ◆ 43183-004	57625-003	GMC, Mack, Volvo	
	◆ 46049-000		◆ 46050-001 ◆ 46050-003 ◆ 46050-004	57625-001 57625-003 57625-004	Ford Freightliner	
	◆ 47073-000		◆ 47074-001	57625-003		
	◆ 48592-001		◆ 48602-001 ◆ 48602-002 ◆ 48602-003	57625-001 57625-003 57625-004	Ford All others Freightliner	
	57624-001		57625-001 57625-003 57625-004		Ford GMC, Mack, Volvo Freightliner	
		◆ 45229-000	57593-001	◆ 45530-001 ◆ 45737-001 ◆ 45737-002 ◆ 45737-003	57594-001 57594-002 57594-003 57594-004	Ford AM General
		◆ 47075-000		◆ 47076-001 ◆ 47076-002 ◆ 47076-003 ◆ 47076-004	57594-001 57594-002 57594-003 57594-004	Ford Peterbilt AM General
◆ 48581-001		◆ 48598-001 ◆ 48598-002 ◆ 48598-003		57594-001 57594-002 57594-003	Ford All others Peterbilt	
57593-001		57594-001 57594-002 57594-003			Ford All others Peterbilt	

CLAMP MOUNT

SELECTION GUIDES

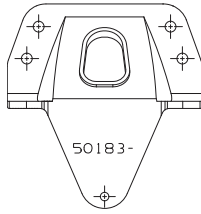
◆ Part number no longer in production, see Replacement Column or contact Hendrickson Truck Parts for available options.



#2 Rear Frame Hanger

SELECTION GUIDES

CLAMP MOUNT

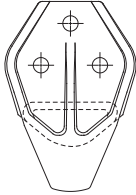
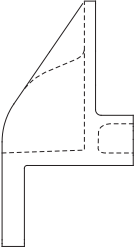
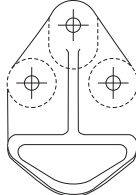
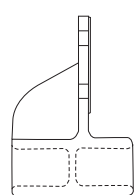
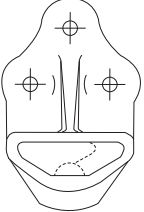
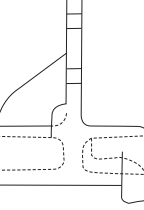


	Casting Number		Part Number		Remarks
	Original	Replacement	Original	Replacement	
	50182-001		50183-001 50183-002 ♦ 50183-003 50183-004 50183-005	50183-002	Ford Kenworth Peterbilt 34" frame International Mack
	♦ 50186-000	50186-001	50187-001 50187-002		Mack, Volvo Freightliner 34.3 frame
	♦ 50190-000	50190-001	50191-001 50191-003 ♦ 50191-004 50191-006	50191-006	Ford Peterbilt 34.75" frame Freightliner International
	59756-001		59757-001		Volvo 33.4" frame
1 1/2" Spring Pin Diameter					
Rt 65k•70k			45792-001		Crane Carrier, GMC, Oshkosh, •Peterbilt, •Volvo, Freightliner
	45791-000	50595-000	45792-002 45792-003 45792-004 ♦ 50595-001	45792-001	•Peterbilt •Peterbilt •Volvo
	46550-000	57795-000	46551-001 46551-002 46551-003 46551-004 46551-005 46551-006 46551-007 46551-008 ♦ 57796-001	46551-004	Oshkosh, •Peterbilt, •Volvo Ford, •GMC •International, •Volvo Western Star, Kenworth •GMC, •International Kenworth •Volvo •Peterbilt

- ♦ Part number no longer in production, see Replacement Column or contact Hendrickson Truck Parts for available options.
- Contact Hendrickson Truck Parts if a casting number has several part number options for the same original equipment manufacturer.



#3 Extended Leaf Frame Hanger

	Casting Number		Part Number		Remarks		
	Original	Replacement	Original	Replacement			
OUTBOARD	With axle stop						
	 	◆ 46278-002	46278-003	◆ 46331-006 ◆ 46331-008	46331-003	Ford, GMC •Freightliner	
		46278-003		46331-002 46331-003 46331-004		Ford, •GMC GMC, Western Star •Freightliner, •GMC	
		47313-000		46331-007 46331-013		Ford, GMC Peterbilt	
		49251-000		46331-011 46331-014		Ford, GMC Peterbilt	
	Without axle stop						
	 	26727-000		◆ 26727-000 ◆ 27761-001 ◆ 27761-002 ◆ 27761-003 ◆ 27761-004 ◆ 27761-005 27761-006 ◆ 27761-007 27761-008	27761-006 27761-008	1 3/8" hole location	
			◆ 34987-000	26727-000	◆ 45213-000	27761-006	1 7/8" hole location
			47313-000		47610-000		2 1/4" hole location
							Ford
INBOARD	With axle stop						
	 	◆ 35397-002 35397-003 35397-005	35348-003	35398-002 35398-003 35398-005			
		45812-005		45813-005			

SELECTION GUIDES

- ◆ Part number no longer in production, see Replacement Column or contact Hendrickson Truck Parts for available options.
- Contact Hendrickson Truck Parts if a casting number has several part number options for the same original equipment manufacturer (OEM).



■ Introduction

This Selection Guide for One and Two-piece Torque Rods and Replacement Bushings is intended to aid in the proper identification of aftermarket replacements of originally equipped Torque Rods and Bushings.

Refer to applicable Hendrickson Technical Literature for additional information on proper maintenance, service, repair and rebuild instructions available on-line at www.hendrickson-intl.com

■ Torque Rod Inspection

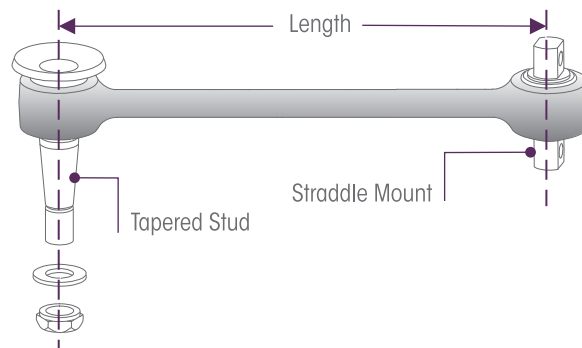
Prior to conducting any work, review and follow all applicable installation, preventive maintenance, service and safety instructions issued by the respective vehicle and suspension manufacturers. Also refer to additional Hendrickson publications available on-line at www.hendrickson-intl.com

All torque rods need to be inspected during preventive maintenance and service for looseness by one of the following methods.

Method 1 — For tractor applications **ONLY** (due to visibility of procedure). With the brakes applied, slowly rock the empty vehicle with power. Off to the side of the vehicle, have a second technician visually check the action at both ends of the torque rod.

Method 2 — With the vehicle shut down, use a long pry bar (36") placed under each torque rod end to check the action at both ends of the torque rod.

Visually inspect **(1) torque rod bushings** for any torn or shredded rubber material interfaces or elongated oval shapes and **(2) torque rods** for any bent, cracked or broken components. The torque rod and/or the torque rod bushings will require replacement if any of these conditions are encountered.



Whether the torque rod is equipped with straddle, taper stud or hollow mount bushings, they can be replaced by pressing out the worn components and installing new Hendrickson bushings with the exception of torque rods designed with permanent bushings that are non-replaceable. Refer to the technical procedure for the proper replacement instructions for your specific suspension system. Hendrickson provides two-piece

torque rods that are available to cut and weld to the desired length, for more information refer to the Two-Piece Torque Rod section of this publication.

It is important that the tightening torque of the locknuts be checked during preventive maintenance and service. Follow the tightening torque specifications and all applicable preventive maintenance, service and safety instructions issued by the respective vehicle and suspension manufacturers.

NOTE Hendrickson Suspension recommends Grade 8 bolts, hardened flat washer and Grade C locknuts be used for all straddle mount torque rod attachments.

NOTE Longitudinal and transverse torque rod length are determined by the original vehicle manufacturer for optimum drive line angle(s). The mounting brackets at the axle ends of the torque rods are generally furnished and welded into position on the axle housings by the axle manufacturer.



■ Transverse Torque Rods

Transverse torque rods are required for vehicles equipped with the following Hendrickson rear suspensions:

- | | | | |
|-------------------|------------|------------|--------------------------|
| • AR2 | • HAS | • HN | • PRIMAAX EX / PRIMAAX |
| • COMFORT AIR | • HAS 40LH | • HAULMAAX | • FIREMAAX EX / FIREMAAX |
| • AL 405 / MaxAir | • HA | | |

NOTE Transverse torque rods **ARE NOT** allowed to be used in conjunction with Hendrickson walking beam suspensions with bronze center bushings.

CAUTION

WHEN TRANSVERSE TORQUE RODS ARE USED ON HENDRICKSON WALKING BEAM SUSPENSIONS, EACH EQUALIZING BEAM MUST USE A RUBBER CENTER BUSHING. EQUALIZING BEAMS THAT CONTAIN A BRONZE CENTER BUSHING MUST BE CONVERTED TO A RUBBER CENTER BUSHING PRIOR TO INSTALLING TRANSVERSE TORQUE RODS. FAILURE TO DO SO CAN CAUSE PREMATURE COMPONENT WEAR AND/OR ADVERSE VEHICLE HANDLING.

■ Transverse Torque Rods are ...

Also required for vehicles equipped with the following Hendrickson equalizing (walking) beam suspensions with rubber center bushings:

Suspension	Capacity	Equalizing Beam Length	
		Less than 60"	60" and Longer
R•RS•RT•RTE	34K	★	Required
	40K	★	
	44K – 52K	Required	
R•RS•RT	65K	★	
RT	70K	Required	
Suspension	Capacity	64" and Less	Longer than 64"
R•RS	85K – 120K	★	Required

★ Transverse torque rods **ARE REQUIRED** in all refuse, mining, and logging applications, although available for vehicles in other applications.

■ Transverse Torque Rods are ...

Recommended where it is necessary to restrict the lateral movement of the axles to prevent interference of the tires, brakes, axle housings, etc. with the frame, body, or suspension components. The proper clearance is determined by the vehicle manufacturer prior to vehicle assembly.



Recommended Guidelines for Installation

NOTE Hendrickson recommends the use of Grade 8 bolts, Grade C locknuts and hardened washers for all transverse torque rod attachments.

With the vehicle at loaded ride height, the transverse torque rod horizontal centerline has an angle of $90^\circ \pm 2.5^\circ$ to the frame, see Figure 1.

The transverse torque rod frame brackets are mounted to the frame and located as close as possible to either the bottom frame flange (preferably) or top frame flange, see Figure 1.

Frame backup plates are required with transverse torque rod frame brackets, see Figure 1.

FIGURE 1

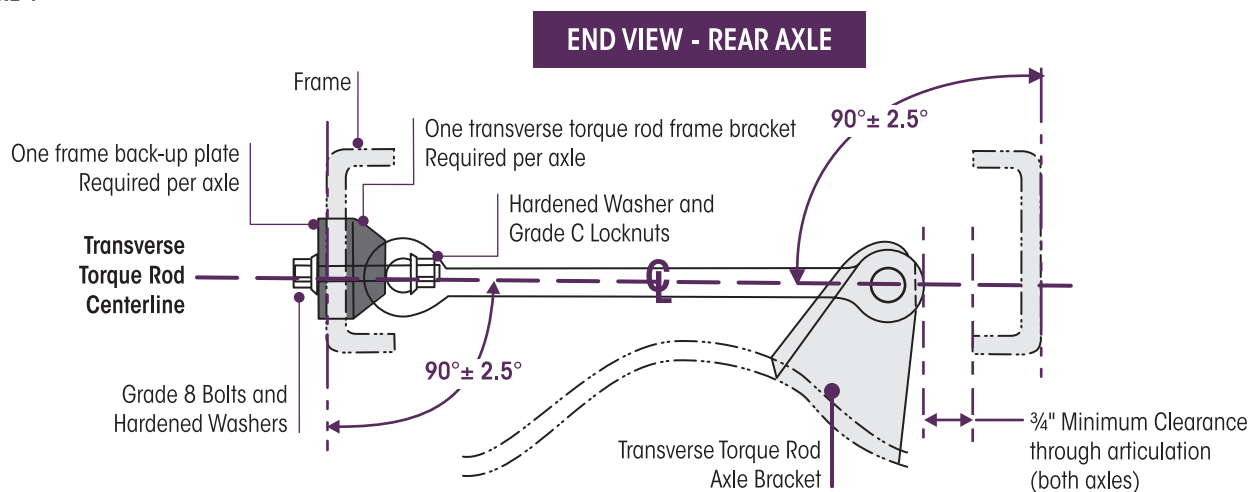


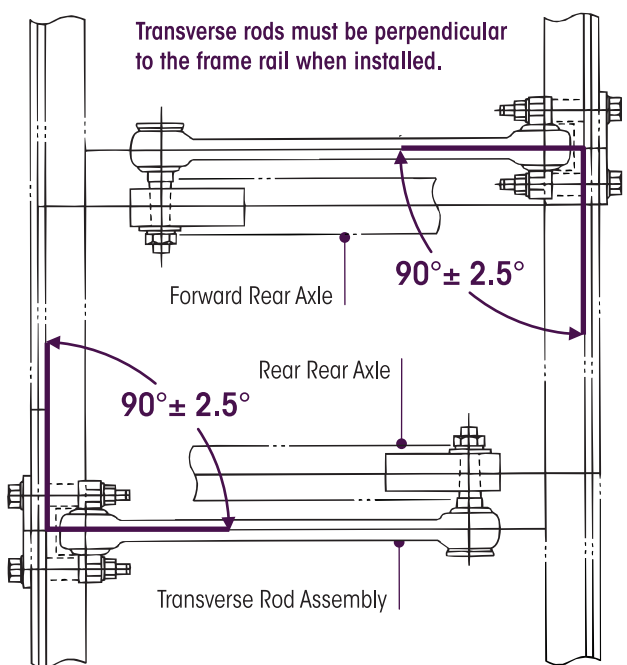
FIGURE 2

Transverse torque rods should be positioned as low as possible to the horizontal center-line of the axle, but high enough as not to interfere with axle components during articulation.

Install transverse torque rods perpendicular to the frame rails ($90^\circ \pm 2.5^\circ$) as shown in Figure 2.

NOTE A vehicle equipped with transverse torque rods may experience some reduction in suspension articulation or increased lateral stiffness and resistance to turning, especially with radial ply tires.

TOP VIEW



Two-piece Torque Rods

Two-piece torque rods are an excellent replacement option for one-piece torque rods for both the on-highway and vocational applications. They are designed for up to 27 inch centers for most applications and 35 inch for widespread tandem.

How to Measure Two-piece Torque Rods

To ensure proper measurement for the torque rod replacement, verify the mounting configuration of the torque rod being replaced and then measure as shown in Figures 3, 4 and 5.

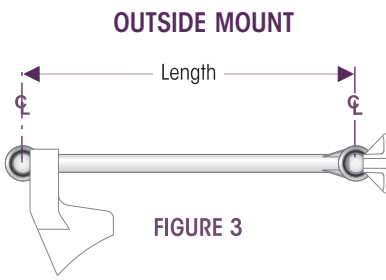


FIGURE 3

- Measure center to center of old torque rod.
- Make the new torque rod the same length

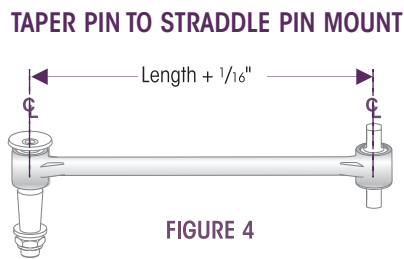


FIGURE 4

- Measure center to center of old torque rod
- Add $\frac{1}{16}$ " to make new torque rod.

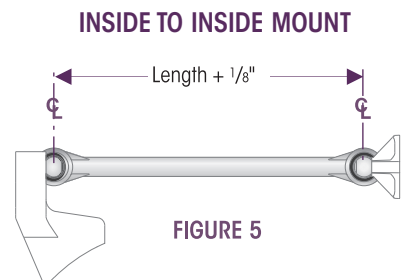


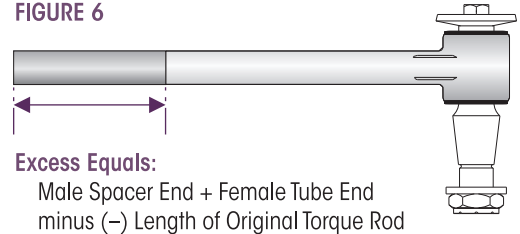
FIGURE 5

- Measure from the center of old torque rod
- Add $\frac{1}{8}$ " to make new torque rod.

Pre-assembly Metal Preparation

1. Select the appropriate end type for the cross-member end, frame rail and axle end of the existing torque rod.
2. Assemble the male spacer end into the base of the female tube end until it bottoms out in the female tube end. Measure for excess, see Figure 6.

FIGURE 6



CAUTION

BE SURE TO WEAR PROPER EYE, AND HEARING PROTECTION AND USE PROPER PERSONAL CLOTHING PROTECTION WHEN PERFORMING STEPS 3 AND 4.

3. Remove the excess male spacer end using abrasive cutting or sawing methods. End face of the male spacer end should be cut square. **DO NOT** use flame or arc cut methods.
4. Remove all grease, oil, rust or oxides from the metal surfaces to be welded by grinding, filing or power brushing.

NOTE Refer to Hendrickson Technical Publications 59310-024 (ULTRA ROD PLUS) and 59310-002 (ULTRA ROD) for welding instructions, available on-line at www.hendrickson-intl.com.



Two-piece Torque Rod Kits and ULTRA ROD®, ULTRA ROD® PLUS™ and XTRB two-piece kits contain spacer and tube ends pre-assembled with bushings in one convenient box. For dimension information of individual torque rod ends, refer to Pages 75-77.

SELECTION GUIDES

ULTRA ROD				
Kit Number	Tube End		Spacer End	
	Part No.	End Type	Part No.	End Type
60214-000	66610-000H	Straddle	66671-000H	Taper
60215-000	66610-000H	Straddle	66681-000H	Taper
60216-000	66620-000H	Taper	66671-000H	Taper
60217-000	66610-000H	Straddle	66701-000H	Thru Bolt
60218-000	66610-000H	Straddle	66661-000H	Straddle
60219-000	66630-000H	Taper	66681-000H	Taper
60220-000	66610-000H	Straddle	66691-000H	Taper
60221-000	66640-000H	Offset Straddle	66701-000H	Thru Bolt
60222-000	66650-000H	Thru Bolt	66701-000H	Thru Bolt
60223-000	66610-000H	Straddle	66660-000H	Straddle
60224-000	66610-000H	Straddle	66680-000H	Taper
60226-000	66610-000H	Straddle	66670-000H	Taper
60227-000	66610-000H	Straddle	66690-000H	Taper
60228-000	66640-000H	Offset Straddle	66700-000H	Thru Bolt
60229-000	66650-000H	Thru Bolt	66700-000H	Thru Bolt
60230-000	66767-000H	Straddle	66681-000H	Taper
60231-000	66767-000H	Straddle	66680-000H	Taper
60232-000	66767-000H	Straddle	67047-000H	Straddle
60233-000	66767-000H	Straddle	67046-000H	Straddle

ULTRA ROD PLUS				
Kit Number	Tube End		Spacer End	
	Part No.	End Type	Part No.	End Type
65781-000	46610-001	Straddle	46681-001	Taper
65781-003	46610-001	Straddle	46661-001	Straddle

Two-piece ULTRA ROD PLUS Torque Rod Kits Includes torque rod frame bracket, axle bracket, spacer plates and 5/8" fasteners.

42518-045	46610-001	Straddle	46681-001	Taper
42518-047	46610-001	Straddle	46681-001	Taper

ULTRA ROD PLUS WITH XTRB BUSHINGS				
Kit Number	Tube End		Spacer End	
	Part No.	End Type	Part No.	End Type
65781-001	46610-003	Straddle	46661-002	Straddle
65781-002	46610-003	Straddle	46681-002	Taper
65781-005	46610-004	Straddle	46661-005	Straddle



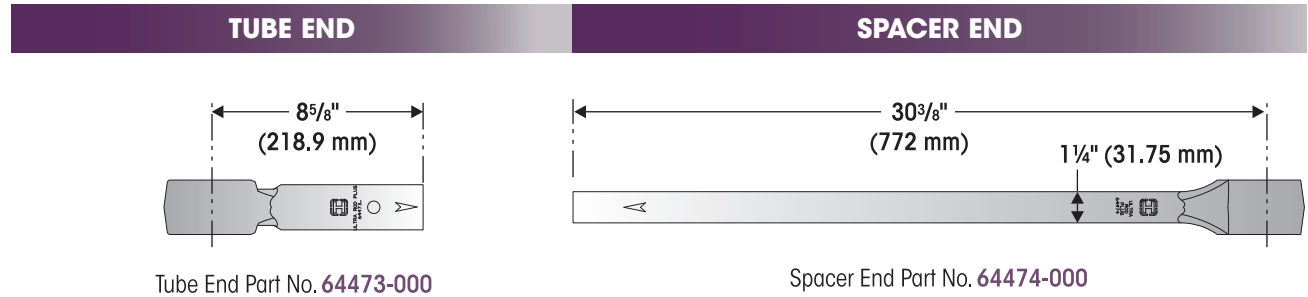


Two-piece Torque Rods | **ULTRA ROD PLUS**

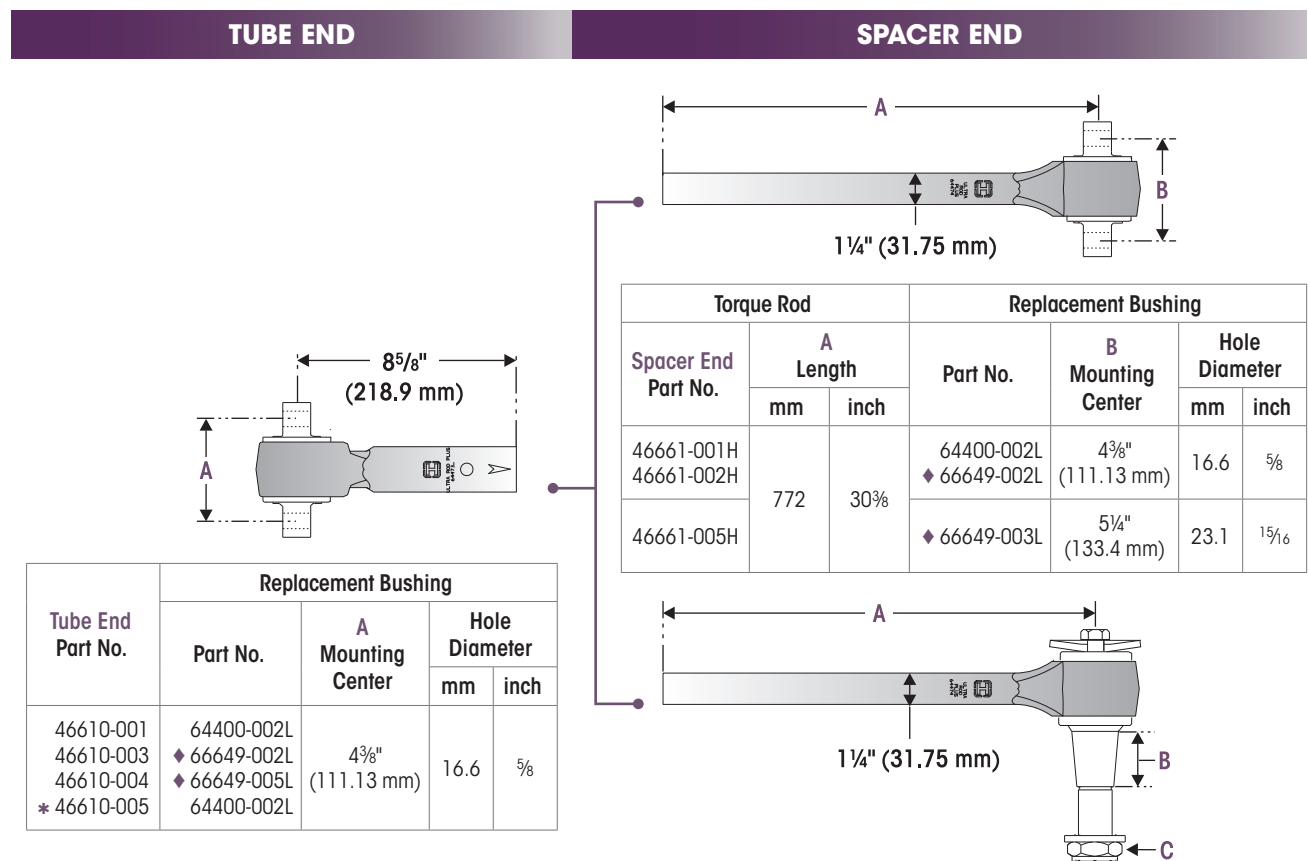
Empty End Hubs — offer added versatility to ULTRA ROD PLUS torque rods. Empty end hubs allow the use of any **PLUS** and **XTRB** bushing configuration from existing Hendrickson torque rods. The two-piece design requires stocking only two part numbers, eliminating multiple torque rod inventory. Refer to Torque Rod Bushings Section for specific torque rod bushing information.



Empty End Hubs



Pre-assembled with Bushings



Tube End Part No.	Replacement Bushing			
	Part No.	A Mounting Center	Hole Diameter	
			mm	inch
46610-001	64400-002L	4 3/8" (111.13 mm)	16.6	5/8
46610-003	◆ 66649-002L			
46610-004	◆ 66649-005L			
* 46610-005	64400-002L			

Torque Rod		Replacement Bushing				
Spacer End Part No.	A Length		Part No.	B Mounting Center	Hole Diameter	
	mm	inch			mm	inch
46661-001H	772	30 3/8	64400-002L	4 3/8"	16.6	5/8
46661-002H			◆ 66649-002L	(111.13 mm)		
46661-005H			◆ 66649-003L	5 1/4"	23.1	1 5/16
				(133.4 mm)		

Torque Rod		Replacement Bushing			
Spacer End Part No.	A Length		B Taper Pin		C Thread
	mm	inch	mm	inch	
46681-001H	772	30 3/8	73.66	2 7/8	1 1/4
46681-002H					

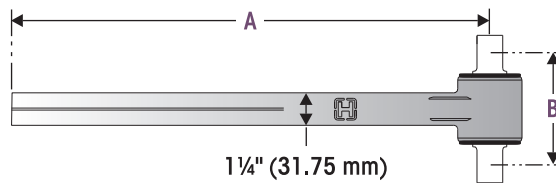
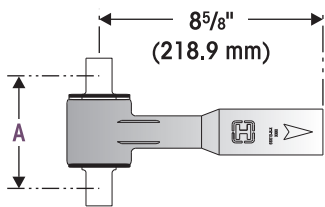
* 5° Clocking angle
◆ XTRB Bushings



Two-piece Torque Rods | **ULTRA ROD**

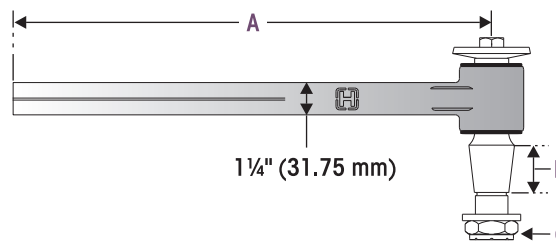
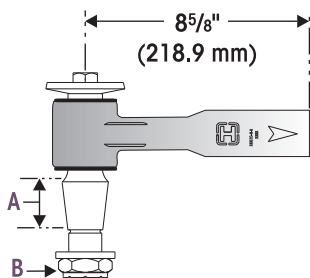
TUBE END

SPACER END



Torque Rod Tube End Part No.	Replacement Bushing Part No.	A Mounting Center 4 3/8" (111.13 mm)	Hole Diameter	
			mm	inch
66610-000H	47691-000L	4 3/8" (111.13 mm)	16.6	5/8
66767-000H	69210-000L		19.8	3/4
66766-000H	67746-000L		23	7/8

Torque Rod Spacer End Part No.	A Length		B Mounting Center 4 3/8" (111.13 mm)	Replacement Bushing Part No.	Hole Diameter	
	mm	inch			mm	inch
66661-000H	570.5	22 7/16	4 3/8" (111.13 mm)	47691-000L	16.6	5/8
67047-000H				69210-000L	19.8	3/4
67048-000H				67746-000L	23	7/8
66660-000H	770.5	30 5/16	4 3/8" (111.13 mm)	47691-000L	16.6	5/8
67046-000H				69210-000L	19.8	3/4
66768-000H	570.5	22 7/16	5 1/16" (144 mm)	66734-000L	19.8	3/4



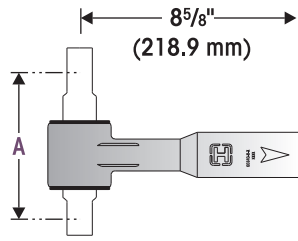
Torque Rod Tube End Part No.	Replacement Bushing Part No.	A Taper Pin		B Thread
		mm	inch	inch
66769-000H	66735-000L	44	1 3/4	1 1/4
66620-000H	64809-000L	48	1 7/8	1 1/8
66630-000H	64697-000L	70	2 3/4	1 1/4

Torque Rod Spacer End Part No.	A Length		Replacement Bushing Part No.	B Taper Pin		C Thread
	mm	inch		mm	inch	
66691-000H	570.5	22 7/16	66735-000L	44	1 3/4	1 1/4
66690-000H						
66671-000H	570.5	22 7/16	64809-000L	48	1 7/8	1 1/8
66670-000H						
66681-000H	570.5	22 7/16	64697-000L	70	2 3/4	1 1/4
66680-000H						

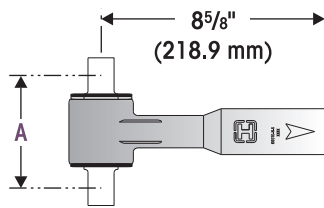
SELECTION GUIDES



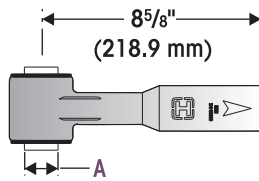
TUBE END **SPACER END**



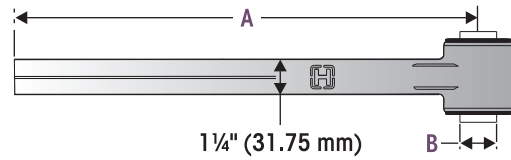
Torque Rod	Replacement Bushing			
Tube End Part No.	Part No.	A Mounting Center	Hole Diameter	
			mm	inch
66640-000H	66734-000L	5 1/16" (144 mm)	19.8	3/4



Torque Rod	Replacement Bushing			
Tube End Part No.	Part No.	A Mounting Center	Hole Diameter	
			mm	inch
66610-000H	47691-000L	4 3/8" (111.13 mm)	16.6	5/8



Torque Rod	Replacement Bushing	
Tube End Part No.	Part No.	A Mounting Center
66650-000H	65477-000L	1 5/16" (33.3 mm)



Torque Rod	Replacement Bushing			
Spacer End Part No.	A Length		Part No.	B Mounting Center
	mm	inch		
66701-000H	570.5	22 7/16	65477-000L	1 5/16" (33.3 mm)
66700-000H	770.5	30 5/16		

SELECTION GUIDES



■ One-piece Torque Rods

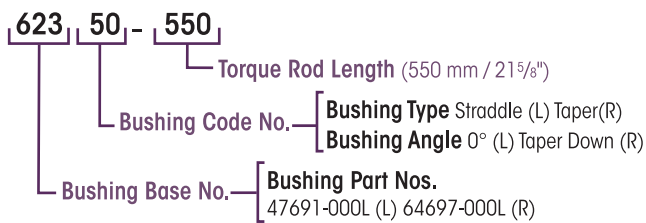
Smart Numbering System — Most Hendrickson one-piece torque rods follow the **Smart Numbering System**, those are the ones that contain two-number prefix **62XXX, 72XXX, and 92XXX**, see illustration below. One-piece torque rods may have the same length and bushing configuration, but the torsional bushing position will differ creating a different part number. All other one-piece torque rods that are not part of the Smart Numbering System on the following pages are shown by their five digit prefix number with the configurations cross-referenced in their respective table.



Refer to example:

- The first three (3) part number digits provide the bushing **base number** to identify the corresponding bushing part numbers.
- The fourth and fifth part number digits provide the bushing **code number** to identify the corresponding bushing type and angle.
- The last three (3) digits after the dash indicate **torque rod length**, (center to center in millimeters).

EXAMPLE



X X X, X X - X X X

BUSHING BASE NUMBER (First 3 digits of the Part No.)

Base Number	Bushing Part No.		Base Number	Bushing Part No.	
	Left	Right		Left	Right
ULTRA ROD			ULTRA ROD PLUS		
620	47691-000L	47691-000L	720	64400-002L	64400-002L
621	68304-000L	68304-000L	722	64400-002L	64400-007L
622	47691-000L	64809-000L	721	64400-003L	64400-003L
623	47691-000L	64697-000L	723	64400-002L	64400-004L
624	64809-000L	64809-000L	725	64400-004L	64400-004L
625	64697-000L	64697-000L	727	64400-005L	64400-005L
626	69210-000L	64697-000L	728	64400-003L	64400-006L
627	69210-000L	69210-000L	729	64400-003L	64400-004L
628	47691-000L	66735-000L	ULTRA ROD PLUS with XTRB BUSHINGS		
629	67746-000L	66735-000L	920	66649-002L	66649-002L
			921	66649-003L	66649-003L
			923	66649-002L	66649-004L
			924	66649-002L	66649-002L
			927	66649-005L	66649-005L
			929	66649-003L	66649-004L

SELECTION GUIDES



X X X X X - X X X

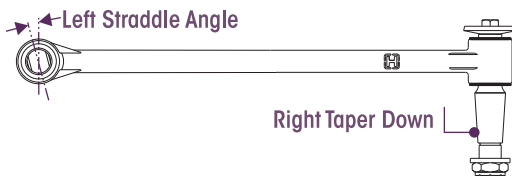
BUSHING CODE NUMBER (4th and 5th digits of the Part No.)

BUSHING TYPE - STRADDLE • STRADDLE



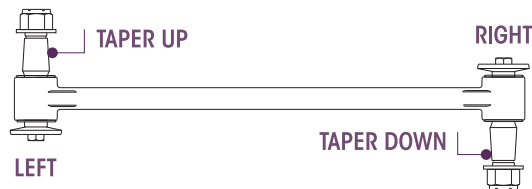
Bushing Code	Bushing Angle		Bushing Code	Bushing Angle		Bushing Code	Bushing Angle		Bushing Code	Bushing Angle	
	Left	Right		Left	Right		Left	Right		Left	Right
00	0°	0°	12	9°	9°	24	0°	5°	36	8°	4°
01	0°	10°	13	20°	10°	25	4°	10°	37	6.5°	6°
02	10°	0°	14	7°	7°	26	0°	35°	38	4°	7°
03	0°	15°	15	4°	8°	27	8°	5°	39	-4°	-8°
04	0°	30°	16	9°	13°	28	-5°	5°	40	-4°	-14°
05	20°	20°	17	3°	0°	29	20°	-10°	41	2°	-11°
06	10°	15°	18	4°	0°	30	2°	13°	42	8°	8°
07	10°	10°	19	5°	0°	31	7°	2.5°	43	2°	5°
08	7.5°	90°	20	7°	0°	32	2°	2.5°	44	15°	15°
09	15°	10°	21	10°	5°	33	11°	6°	45	0°	37°
10	1°	1°	22	0°	50°	34	2.5°	7°	46	-10°	10°
11	5°	5°	23	0°	4°	35	15°	8°	47	-3°	-3°

BUSHING TYPE - STRADDLE • TAPER



Bushing Code	Bushing Angle		Bushing Code	Bushing Angle		Bushing Code	Bushing Angle	
	Left	Right		Left	Right		Left	Right
50	0°	Taper Down	53	16°	Taper Down	56	10°	Taper Down
51	2°		54	11°		57	20°	
52	5°		55	-4°		58	13°	

BUSHING TYPE - TAPER • TAPER



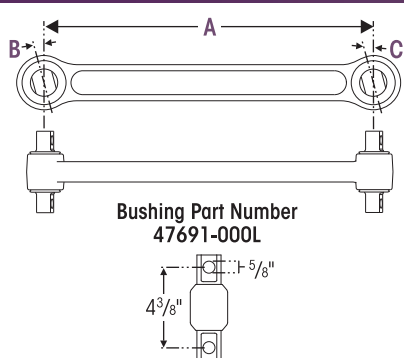
Bushing Code	Bushing Angle		Bushing Code	Bushing Angle	
	Left	Right		Left	Right
98	Taper Up	Taper Down	99	Taper Down	Taper Down

SELECTION GUIDES



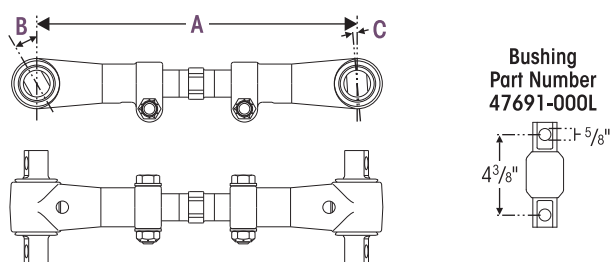
One-piece Torque Rods | **ULTRA ROD**

*** Prefix 48411- • 49681-**



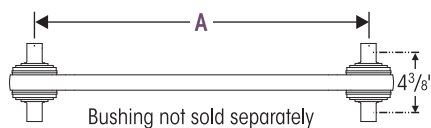
Part No.	A		B ± 2°	C ± 2°	Part No.	A		B ± 2°	C ± 2°
	mm	inch				mm	inch		
48411-013	366	14 7/16	0°	0°	48411-015	402	15 3/16	5°	6°
48411-016			4°	4°	48411-005			10°	10°
48411-006			10°	10°	48411-001			15°	10°
48411-010	375	14 3/4	0°	0°	48411-011			25°	-5°
48411-014			10°	10°	48411-003	419	16 1/2	20°	20°
48411-009	402	15 3/16	0°	0°	49681-001	366	14 7/16	10°	10°
48411-004			0°	175°	49681-002	516	20 5/16	5°	10°

*** Prefix 57950- • 58519-**

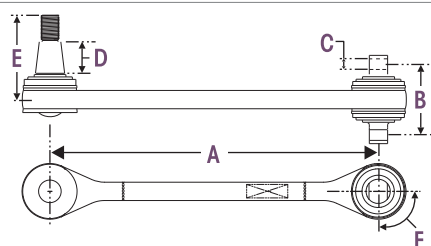


Part No.	A		B ± 2°	C ± 2°	D Bolt Size
	mm	inch			
57950-007	366	14 7/16	10°	10°	1/2" x 3" Length
58519-007					M12 x 80 mm

*** Prefix 58745-**

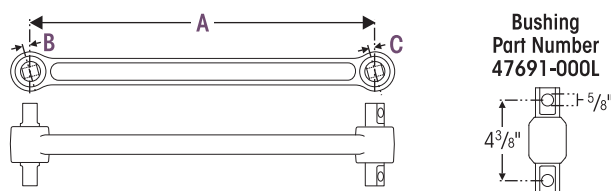


Part No.	A		Part No.	A		Part No.	A	
	mm	inch		mm	inch		mm	inch
58745-005	549.9	21 5/8	58745-010	616	24 1/4	58745-007	635	25
58745-002	584.4	23	58745-011	626	24 5/8	58745-008	641	25 1/4
58745-001	610.9	24 1/16				58745-006	649.2	25 5/16



Part No.	A		B	C	D	E	F
	mm	inch					
58745-009	514.4	20 1/4	4 3/8"	5/8"	1 15/16"	5 3/16"	90°

*** Prefix 58757-**

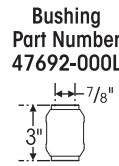
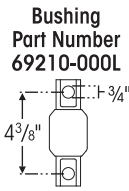
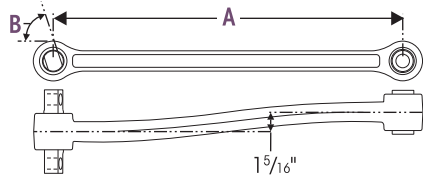


Part No.	A		B	C
	mm	inch		
58757-005	546.1	21 1/2	0°	0°
58757-006	558.5	22		
58757-595	595	23 7/16	0°	0°
58757-660	660	26		10°

* These torque rods are not part of Hendrickson Smart Numbering System.

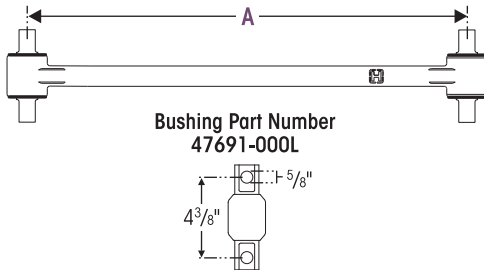


*** Prefix 60827-**



Part No.	A		B ± 2°
	mm	inch	
60827-605A	605	23 ³ / ₁₆	71.7°
60827-605B			108.3°
60827-645A	645	25 ³ / ₁₆	72.7°
60827-645B			107.3°

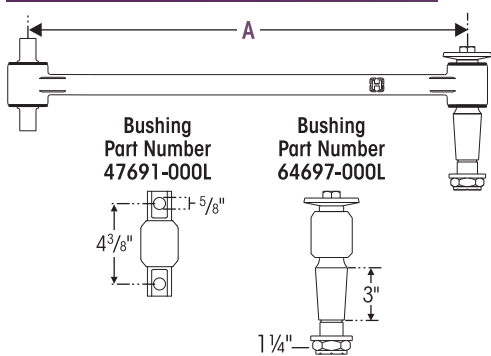
Prefix 620XX-



Part No.	A		Part No.	A		Part No.	A	
	mm	inch		mm	inch		mm	inch
62000-720	720	28 ³ / ₈	62001-595	595	23 ⁷ / ₁₆	62011-360	360	14 ³ / ₁₆
62000-725	725	28 ⁹ / ₁₆	62001-600	600	23 ⁵ / ₁₆	◆62011-415N	415	16 ⁵ / ₁₆
62000-730	730	28 ³ / ₄	62001-605	605	23 ³ / ₁₆	62011-565P	565	22 ¹ / ₄
62000-735	735	28 ¹ / ₂	62001-610	610	24	◆62011-575N	575	22 ⁵ / ₁₆
62000-740	740	29 ¹ / ₈	62001-615	615	24 ³ / ₁₆	◆62011-590N	590	23 ¹ / ₄
62000-745	745	29 ¹ / ₁₆	62001-620	620	24 ⁷ / ₁₆	62011-620	620	24 ⁷ / ₁₆
62000-750	750	29 ¹ / ₂	62001-625	625	24 ⁵ / ₁₆	◆62011-645N	645	25 ³ / ₁₆
62000-755	755	29 ³ / ₄	62001-630	630	24 ¹ / ₁₆	◆62011-590N	590	23 ¹ / ₄
62000-760	760	29 ¹ / ₂	62001-635	635	25	62011-720	720	28 ³ / ₈
62000-775	775	30 ¹ / ₂	62001-640	640	25 ³ / ₁₆	62012-360	360	14 ³ / ₁₆
62000-785	785	30 ⁷ / ₈	62001-645	645	25 ⁵ / ₁₆	62012-465	465	18 ⁵ / ₁₆
62000-795	795	31 ¹ / ₈	62001-650	650	25 ¹ / ₁₆	62013-790	790	31 ¹ / ₈
62000-830	830	32 ¹ / ₁₆	62001-655	655	25 ³ / ₁₆	62014-720	720	28 ³ / ₈
62000-885	885	34 ³ / ₁₆	62001-660	660	26	62014-755	755	29 ³ / ₄
62000-895	895	35 ¹ / ₄	62001-665	665	26 ³ / ₁₆	62015-735	735	28 ⁵ / ₁₆
62001-420	420	16 ⁹ / ₁₆	62001-670	670	26 ⁵ / ₁₆	62016-815	815	32 ¹ / ₁₆
62001-440	440	17 ⁵ / ₁₆	62001-675	675	26 ⁷ / ₁₆	62017-720	720	28 ³ / ₈
62001-465	465	18 ⁵ / ₁₆	62001-680	680	26 ³ / ₄	◆62021-440N	440	17 ⁵ / ₁₆
62001-485	485	19 ¹ / ₈	62001-685	685	27	62022-580	580	22 ³ / ₁₆
62001-495	495	19 ¹ / ₂	62001-690	690	27 ³ / ₁₆	◆62024-550N	550	21 ⁵ / ₈
62001-500	500	19 ¹ / ₁₆	62001-710	710	27 ¹ / ₁₆	62024-585	585	23
62001-510	510	20 ¹ / ₁₆	62001-725	725	28 ⁹ / ₁₆	62024-600	600	23 ³ / ₈
62001-515	515	20 ¹ / ₄	62001-735	735	28 ¹ / ₁₆	62024-605	605	23 ¹ / ₁₆
62001-520	520	20 ¹ / ₂	62001-740	740	29 ¹ / ₈	62024-675	675	26 ⁹ / ₁₆
62001-525	525	20 ¹ / ₁₆	62001-745	745	29 ¹ / ₁₆	62029-385	385	15 ³ / ₁₆
62001-530	530	20 ³ / ₈	62001-755	755	29 ³ / ₄	◆62035-475N	475	18 ¹ / ₁₆
62001-535	535	21 ¹ / ₁₆	62001-765	765	30 ¹ / ₈	◆62039-440N	440	17 ⁵ / ₁₆
62001-540	540	21 ¹ / ₄	62001-775	775	30 ¹ / ₂	◆62040-475N	475	18 ¹ / ₁₆
62001-545	545	21 ¹ / ₈	62001-785	785	30 ³ / ₈	◆62041-470N	470	18 ¹ / ₂
62001-550	550	21 ¹ / ₂	62001-795	795	31 ¹ / ₈	◆62043-430N	430	16 ¹ / ₁₆
62001-555	555	21 ³ / ₈	62001-805	805	31 ³ / ₈	62044-495	495	19 ¹ / ₂
62001-560	560	22 ¹ / ₁₆	62001-815	815	32 ¹ / ₁₆	62044-505	505	19 ¹ / ₈
◆62001-560N	560	22 ¹ / ₁₆	62001-825	825	32 ¹ / ₈	◆62045-615N	615	24 ³ / ₁₆
62001-565	565	22 ¹ / ₄	62001-835	835	32 ³ / ₈	◆62047-425N	425	16 ³ / ₄
◆62001-565N	565	22 ¹ / ₄	62001-845	845	32 ³ / ₄	62010-455	455	17 ¹ / ₁₆
62001-570	570	22 ¹ / ₈	62001-855	855	33 ¹ / ₈	62001-590	590	23 ¹ / ₄
62001-575	575	22 ³ / ₈	62001-865	865	33 ¹ / ₄			
62001-580	580	22 ¹ / ₂	62001-875	875	33 ³ / ₈			
62001-585	585	23	62001-885	885	34 ¹ / ₈			
62001-590	590	23 ¹ / ₄	62001-895	895	35 ¹ / ₈			
			62001-905	905	35 ³ / ₈			
			62001-915	915	35 ¹ / ₂			
			62001-925	925	36 ¹ / ₈			
			62001-935	935	36 ¹ / ₄			
			62001-945	945	36 ³ / ₈			
			62001-955	955	37 ¹ / ₈			
			62001-965	965	37 ¹ / ₄			
			62001-975	975	37 ³ / ₈			
			62001-985	985	38 ¹ / ₈			
			62001-995	995	38 ¹ / ₄			
			62002-005	1005	39 ¹ / ₈			
			62002-015	1015	39 ¹ / ₄			
			62002-025	1025	39 ³ / ₈			
			62002-035	1035	40 ¹ / ₈			
			62002-045	1045	40 ¹ / ₄			
			62002-055	1055	40 ³ / ₈			
			62002-065	1065	41 ¹ / ₈			
			62002-075	1075	41 ¹ / ₄			
			62002-085	1085	41 ³ / ₈			
			62002-095	1095	42 ¹ / ₈			
			62002-105	1105	42 ¹ / ₄			
			62002-115	1115	42 ³ / ₈			
			62002-125	1125	43 ¹ / ₈			
			62002-135	1135	43 ¹ / ₄			
			62002-145	1145	43 ³ / ₈			
			62002-155	1155	44 ¹ / ₈			
			62002-165	1165	44 ¹ / ₄			
			62002-175	1175	44 ³ / ₈			
			62002-185	1185	45 ¹ / ₈			
			62002-195	1195	45 ¹ / ₄			
			62002-205	1205	45 ³ / ₈			
			62002-215	1215	46 ¹ / ₈			
			62002-225	1225	46 ¹ / ₄			
			62002-235	1235	46 ³ / ₈			
			62002-245	1245	47 ¹ / ₈			
			62002-255	1255	47 ¹ / ₄			
			62002-265	1265	47 ³ / ₈			
			62002-275	1275	48 ¹ / ₈			
			62002-285	1285	48 ¹ / ₄			
			62002-295	1295	48 ³ / ₈			
			62002-305	1305	49 ¹ / ₈			
			62002-315	1315	49 ¹ / ₄			
			62002-325	1325	49 ³ / ₈			
			62002-335	1335	50 ¹ / ₈			
			62002-345	1345	50 ¹ / ₄			
			62002-355	1355	50 ³ / ₈			
			62002-365	1365	51 ¹ / ₈			
			62002-375	1375	51 ¹ / ₄			
			62002-385	1385	51 ³ / ₈			
			62002-395	1395	52 ¹ / ₈			
			62002-405	1405	52 ¹ / ₄			
			62002-415	1415	52 ³ / ₈			
			62002-425	1425	53 ¹ / ₈			
			62002-435	1435	53 ¹ / ₄			
			62002-445	1445	53 ³ / ₈			
			62002-455	1455	54 ¹ / ₈			
			62002-465	1465	54 ¹ / ₄			
			62002-475	1475	54 ³ / ₈			
			62002-485	1485	55 ¹ / ₈			
			62002-495	1495	55 ¹ / ₄			
			62002-505	1505	55 ³ / ₈			
			62002-515	1515	56 ¹ / ₈			
			62002-525	1525	56 ¹ / ₄			
			62002-535	1535	56 ³ / ₈			
			62002-545	1545	57 ¹ / ₈			
			62002-555	1555	57 ¹ / ₄			
			62002-565	1565	57 ³ / ₈			
			62002-575	1575	58 ¹ / ₈			
			62002-585	1585	58 ¹ / ₄			
			62002-595	1595	58 ³ / ₈			
			62002-605	1605	59 ¹ / ₈			
			62002-615	1615	59 ¹ / ₄			
			62002-625	1625	59 ³ / ₈			
			62002-635	1635	60 ¹ / ₈			
			62002-645	1645	60 ¹ / ₄			
			62002-655	1655	60 ³ / ₈			
			62002-665	1665	61 ¹ / ₈			
			62002-675	1675	61 ¹ / ₄			
			62002-685	1685	61 ³ / ₈			
			62002-695	1695	62 ¹ / ₈			
			62002-705	1705	62 ¹ / ₄			
			62002-715	1715	62 ³ / ₈			
			62002-725	1725	63 ¹ / ₈			
			62002-735	1735	63 ¹ / ₄			
			62002-745	1745	63 ³ / ₈			
			62002-755	1755	64 ¹ / ₈			
			62002-765	1765	64 ¹ / ₄			
			62002-775	1775	64 ³ / ₈			
			62002-785	1785	65 ¹ / ₈			
			62002-795	1795	65 ¹ / ₄			
			62002-805	1				

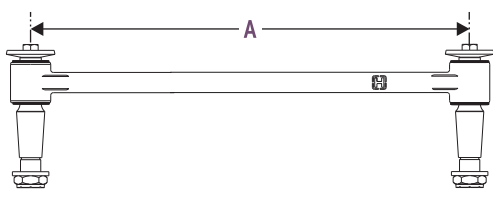


Prefix 62350-



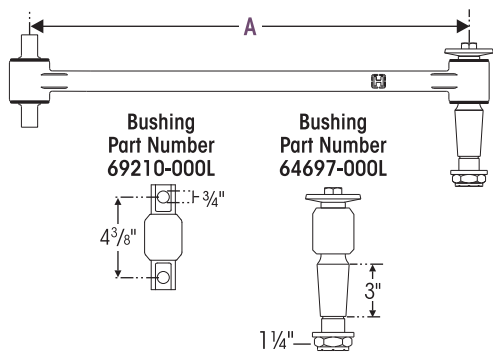
Part No.	A		Part No.	A		Part No.	A	
	mm	inch		mm	inch		mm	inch
62350-450	450	17 ¹ / ₁₆	62350-570	570	22 ⁷ / ₁₆	62350-635	635	25
62350-470	470	18 ¹ / ₂	62350-585	585	23	62350-640	640	25 ³ / ₁₆
62350-505	505	19 ⁷ / ₈	62350-590	590	23 ¹ / ₄	62350-645	645	25 ³ / ₈
62350-520	520	20 ¹ / ₂	62350-605	605	23 ³ / ₁₆	62350-655	655	25 ³ / ₁₆
62350-525	525	20 ¹ / ₁₆	62350-610	610	24	62350-760	760	29 ⁵ / ₁₆
62350-535	535	21 ¹ / ₁₆	62350-615	615	24 ³ / ₁₆	62350-800	800	31 ¹ / ₂
62350-545	545	21 ⁷ / ₁₆	62350-620	620	24 ⁷ / ₁₆	62350-880	880	34 ⁵ / ₈
62350-550	550	21 ⁵ / ₈	62350-625	625	24 ⁵ / ₈	62350-910	910	35 ¹ / ₁₆
62350-560	560	22 ¹ / ₁₆	62350-630	630	24 ¹ / ₁₆			

Prefix 62599-



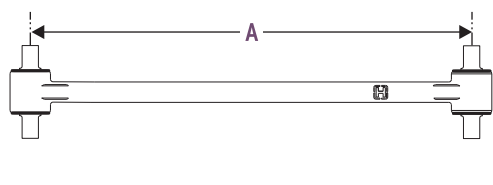
Part No.	A	
	mm	inch
62599-510	510	20 ¹ / ₁₆
62599-520	520	20 ¹ / ₂
62599-550	550	21 ⁵ / ₈
62599-560	560	22 ¹ / ₁₆
62599-585	585	23

Prefix 62650-



Part No.	A		Part No.	A		Part No.	A	
	mm	inch		mm	inch		mm	inch
62650-495	495	19 ¹ / ₂	62650-525	525	20 ¹ / ₁₆	62650-630	630	24 ³ / ₁₆
62650-500	500	19 ¹ / ₁₆	62650-535	535	21 ¹ / ₁₆	62650-635	635	25
62650-505	505	19 ⁷ / ₈	62650-610	610	24	62650-645	645	25 ³ / ₈
62650-520	520	20 ¹ / ₂	62650-615	615	24 ³ / ₁₆			

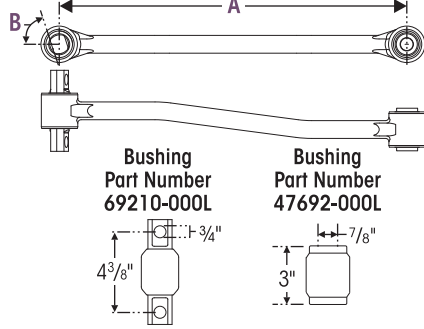
Prefix 62700-



Part No.	A		Part No.	A	
	mm	inch		mm	inch
62700-540	540	21 ¹ / ₄	62716-650	650	25 ⁵ / ₁₆
62700-570	570	22 ⁷ / ₁₆	62716-660	660	26
62700-610	610	24	62716-670	670	26 ³ / ₈
62700-620	620	24 ⁷ / ₁₆			

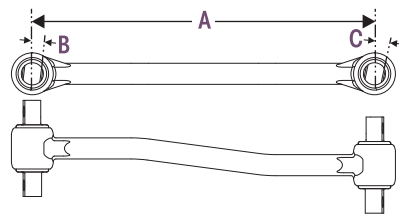


* Prefix 64717-



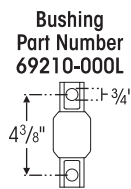
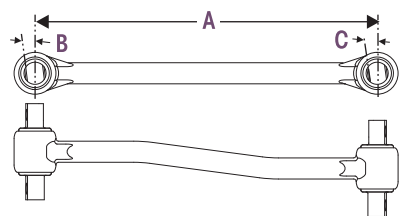
Part No.	A		B ± 2°	Part No.	A		B ± 2°
	mm	inch			mm	inch	
64717-590A	590	23¼	72.2°	64717-620A	620	24⅞	72.2°
64717-590B			107.8°	64717-620B			107.8°
64717-605A	605	23⅜	72.2°	64717-645A	645	25⅜	72.2°
64717-605B			107.8°	64717-645B			107.8°

* ♦ Prefix 65302-



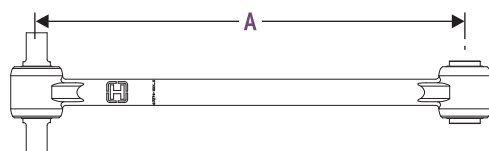
Part No.	A		B	C	Part No.	A		B	C
	mm	inch				mm	inch		
65302-365A/B	365	14⅝	5°	6°	65302-510A/B	510	20⅞	7°	16°
65302-455A/B	455	17⅝	5°	6°	65302-510C/D	510	20⅞	13.5°	17.2°
65302-460A/B	460	18⅞	7°	8°	65302-515A/B	515	20¾	7°	17°
65302-470A/B	470	18½	7°	9.5°	65302-520A/B	520	20½	7°	17.5°
65302-475A/B	475	18⅞	7°	11.5°	65302-525A/B	525	20⅞	7°	18°
65302-480A/B	480	18⅞	5.4°	8.3°	65302-530A/B	530	20⅞	7°	19°
65302-485A/B	485	19⅞	5.4°	9.2°	65302-535A/B	535	21⅞	9°	5°
65302-490A/B	490	19⅝	5.4°	9.9°	65302-550A/B	550	21⅝	13°	22°
65302-495A/B	495	19½	5°	13°					

* Prefix 66359-



Part No.	A		B	C
	mm	inch		
66359-585A/B	585	23	13°	2°
66359-590A/B	590	23¼	13°	2°
66359-595A/B	595	23⅞	12°	2°
66359-600A/B	600	23⅝	13°	2°
66359-650A/B	650	25⅞	12°	10°
66359-660A/B	660	26	13°	9°
66359-670A/B	670	26⅝	12°	8°

* ♦ Prefix 67274-



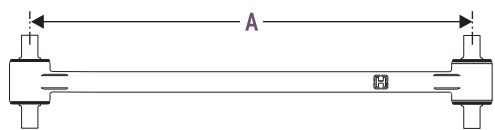
Part No.	A		Part No.	A		Part No.	A	
	mm	inch		mm	inch		mm	inch
67274-470	470	18½	67274-530	530	20⅞	67274-560	560	22⅞
67274-510	510	20⅞	67274-540	540	21¼	67274-565	565	22¼
67274-515	515	20¼	67274-545	545	21⅞	67274-570	570	22⅞
67274-520	520	20½	67274-550	550	21⅝	67274-575	575	22⅝
67274-525	525	20⅞	67274-555	555	21⅞			

* These torque rods are not part of Hendrickson Smart Numbering System.

♦ Torque rod bushings are non-serviceable, replace the complete torque rod assembly that includes bushings.



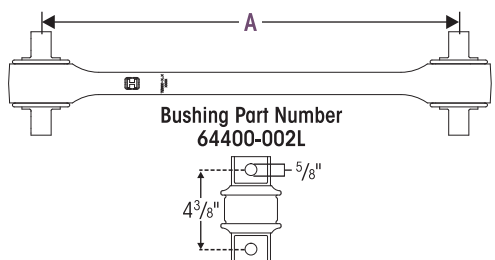
* ♦ Prefix 67428-



Part No.	A		Part No.	A		Part No.	A	
	mm	inch		mm	inch		mm	inch
67428-365	365	14 ³ / ₈	67428-440	440	17 ⁵ / ₁₆	67428-480	480	18 ⁷ / ₈
67428-375	375	14 ³ / ₄	67428-445	445	17 ¹ / ₂	67428-485	485	19 ¹ / ₈
67428-420	420	16 ⁹ / ₁₆	67428-450	450	17 ¹¹ / ₁₆	67428-490	490	19 ⁵ / ₁₆
67428-425	425	16 ³ / ₄	67428-460	460	18 ¹ / ₈	67428-495	495	19 ¹ / ₂
67428-430	430	16 ¹⁵ / ₁₆	67428-465	465	18 ⁵ / ₁₆	67428-500	500	19 ¹¹ / ₁₆
67428-435	435	17 ¹ / ₈	67428-470	470	18 ¹ / ₂	67428-505	505	19 ⁷ / ₈

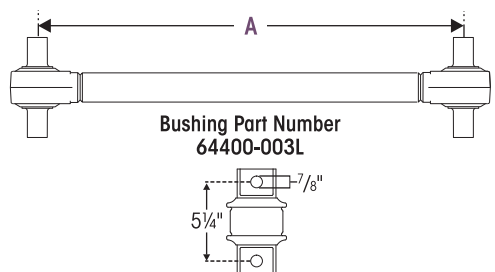
One-piece Torque Rods | ULTRA ROD PLUS

Prefix 72000-



Part No.	A		Part No.	A		Part No.	A	
	mm	inch		mm	inch		mm	inch
72000-380S	380	14 ¹⁵ / ₁₆	72000-575S	575	22 ⁵ / ₈	72000-625S	625	24 ⁵ / ₈
72000-420S	420	16 ⁹ / ₁₆	72000-595S	595	23 ³ / ₁₆	72000-630S	630	24 ¹³ / ₁₆
72000-510S	510	20 ¹ / ₈	72000-600S	600	23 ³ / ₈	72000-635S	635	25
72000-545S	545	21 ⁷ / ₁₆	72000-605S	605	23 ³ / ₁₆	72000-640S	640	25 ³ / ₈
72000-560S	560	22 ¹ / ₈	72000-610S	610	24	72000-645S	645	25 ³ / ₈
72000-560C			72000-615S	615	24 ³ / ₁₆	72000-725S	725	28 ³ / ₈
72000-565S	565	22 ¹ / ₄	72000-620S	620	24 ³ / ₈	72000-735S	735	28 ⁵ / ₈

Prefix 721XX-



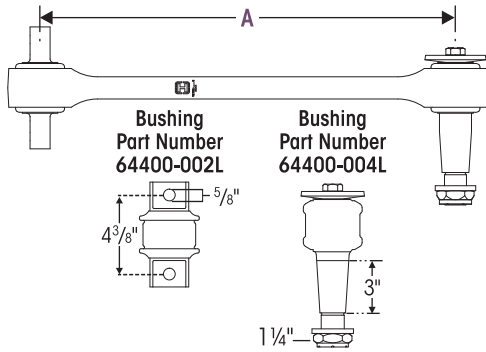
Part No.	A		Part No.	A		Part No.	A	
	mm	inch		mm	inch		mm	inch
72100-585	585	23	72100-685	685	27	72100-795	795	31 ³ / ₈
72100-590	590	23 ¹ / ₄	72100-690	690	27 ³ / ₁₆	72100-805	805	31 ¹¹ / ₁₆
72100-595	595	23 ⁷ / ₁₆	72100-700	700	27 ¹ / ₂	72100-815	815	32 ¹ / ₈
72100-605	605	23 ¹³ / ₁₆	72100-705	705	27 ³ / ₄	72100-845	845	33 ¹ / ₄
72100-610	610	24	72100-710	710	27 ⁵ / ₁₆	72100-865	865	34 ¹ / ₈
72100-620	620	24 ⁷ / ₁₆	72100-720	720	28 ³ / ₈	72100-875	875	34 ⁷ / ₁₆
72100-630	630	24 ¹³ / ₁₆	72100-725	725	28 ¹ / ₂	72100-890	890	35 ¹ / ₈
72100-635	635	25	72100-730	730	28 ³ / ₄	72100-955	955	37 ⁵ / ₈
72100-640	640	25 ³ / ₁₆	72100-735	735	28 ¹⁵ / ₁₆	72100-015	1015	39 ⁵ / ₁₆
72100-645	645	25 ⁵ / ₈	72100-745	745	29 ⁵ / ₁₆	72102-635	635	25
72100-650	650	25 ⁹ / ₁₆	72100-750	750	29 ¹ / ₂	72107-710	710	27 ⁵ / ₁₆
72100-655	655	25 ¹³ / ₁₆	72100-755	755	29 ³ / ₄	72121-615	615	24 ³ / ₁₆
72100-500	500	19 ¹¹ / ₁₆	72100-660	660	26	72100-760	760	29 ¹⁵ / ₁₆
72100-505	505	19 ⁷ / ₈	72100-665	665	26 ³ / ₁₆	72100-770	770	30 ⁵ / ₁₆
72100-510	510	20 ¹ / ₈	72100-675	675	26 ⁹ / ₁₆	72100-775	775	30 ¹ / ₂
72100-535	535	21 ¹ / ₈	72100-680	680	26 ³ / ₄	72100-785	785	30 ⁷ / ₈
72100-540	540	21 ¹ / ₄	72100-685	685	27	72121-620	620	24 ⁷ / ₁₆
72100-545	545	21 ⁷ / ₁₆	72100-690	690	27 ³ / ₁₆	72123-610	610	24
72100-550	550	21 ⁵ / ₈	72100-695	695	27 ⁵ / ₁₆	72124-650	650	25 ⁵ / ₁₆
72100-560	560	22 ¹ / ₈	72100-700	700	27 ¹ / ₂	72125-555	555	21 ⁷ / ₈
72100-565	565	22 ¹ / ₄	72100-705	705	27 ³ / ₄			

* These torque rods are not part of Hendrickson Smart Numbering System.

♦ Torque rod bushings are non-serviceable, replace the complete torque rod assembly that includes bushings.

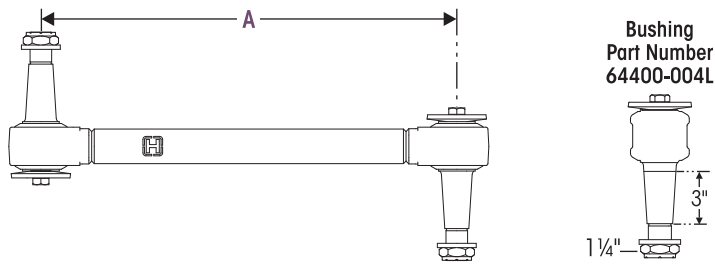


Prefix 72350-



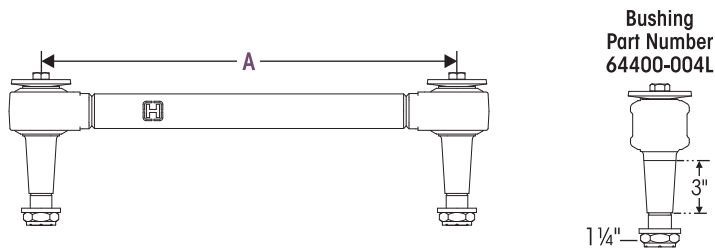
Part No.	A		Part No.	A		Part No.	A	
	mm	inch		mm	inch		mm	inch
72350-430S	430	16 ¹ / ₁₆	72350-570	570	22 ⁷ / ₁₆	72350-630S	630	24 ³ / ₁₆
72350-475S	475	18 ⁷ / ₁₆	72350-585S	585	23	72350-635S	635	25
72350-480S	480	18 ⁷ / ₁₆	72350-605S	605	23 ³ / ₁₆	72350-645S	645	25 ³ / ₁₆
72350-515	515	20 ¹ / ₄	72350-610	610	24	72350-655S	655	25 ¹ / ₁₆
72350-525	525	20 ¹ / ₁₆	72350-615S	615	24 ³ / ₁₆	72350-660S	660	26
72350-530S	530	20 ⁷ / ₁₆	72350-620	620	24 ⁷ / ₁₆	72350-680S	680	26 ³ / ₁₆
72350-535	535	21 ¹ / ₁₆	72350-620S			72350-695	695	27 ³ / ₁₆
72350-560S	560	22 ¹ / ₁₆	72350-625	625	24 ³ / ₁₆			

Prefix 72598-



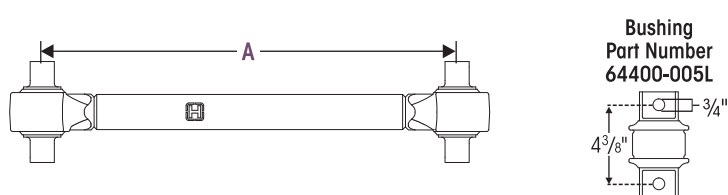
Part No.	A		Part No.	A	
	mm	inch		mm	inch
72598-525	525	20 ¹ / ₁₆	72598-605	605	23 ³ / ₁₆
72598-535	535	21 ¹ / ₁₆	72598-620	620	24 ⁷ / ₁₆
72598-550	550	21 ⁵ / ₁₆	72598-645	645	25 ³ / ₁₆
72598-580	580	22 ¹ / ₁₆	72598-855	855	33 ¹ / ₁₆
72598-600	600	23 ³ / ₁₆			

Prefix 72599-



Part No.	A		Part No.	A	
	mm	inch		mm	inch
72599-525	525	20 ¹ / ₁₆	72599-650	650	25 ⁵ / ₁₆
72599-550	550	21 ⁵ / ₁₆	72599-685	685	27
72599-565	565	22 ¹ / ₄	72599-765	765	30 ¹ / ₁₆
72599-570	570	22 ⁷ / ₁₆	72599-800	800	31 ¹ / ₂
72599-580	580	22 ³ / ₁₆	72599-015	1015	39 ⁵ / ₁₆

Prefix 727XX-

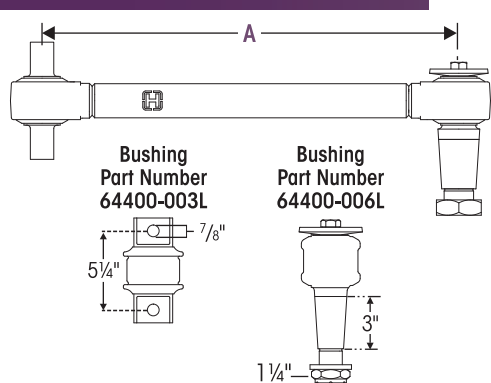


Part No.	A		Part No.	A	
	mm	inch		mm	inch
72700-600	600	23 ³ / ₁₆	72719-790	790	31 ¹ / ₈
72701-735	735	28 ¹ / ₁₆	72720-650	650	25 ⁹ / ₁₆
72719-755	755	29 ³ / ₄	72720-690	690	27 ³ / ₁₆

NOTE: The letter (S) at the end of a part number designates forged torque rod, and are interchangeable with cast torque rod.

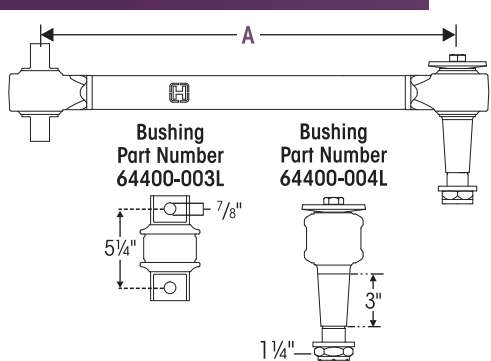


Prefix 72850-



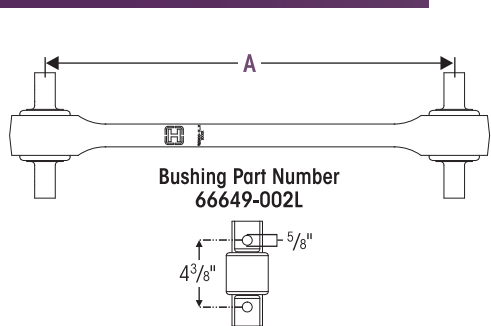
Part No.	A		Part No.	A		Part No.	A	
	mm	inch		mm	inch		mm	inch
72850-430	430	16 ¹⁵ / ₁₆	72850-545	545	21 ⁷ / ₁₆	72850-640	640	25 ³ / ₁₆
72850-435	435	17 ¹ / ₈	72850-555	555	21 ⁷ / ₈	72850-645	645	25 ³ / ₈
72850-510	510	20 ¹ / ₁₆	72850-570	570	22 ⁷ / ₁₆	72850-695	695	27 ³ / ₈
72850-515	515	20 ¹ / ₄	72850-580	580	22 ¹³ / ₁₆	72850-700	700	27 ¹ / ₁₆
72850-535	535	21 ¹ / ₁₆	72850-610	610	24			

Prefix 72950-



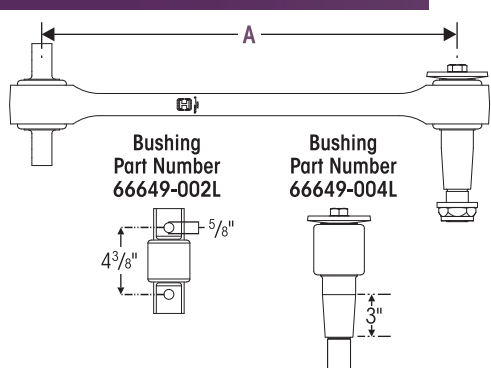
Part No.	A		Part No.	A	
	mm	inch		mm	inch
72950-500	500	19 ¹ / ₁₆	72950-615	615	24 ³ / ₁₆
72950-505	505	19 ⁷ / ₈	72950-620	620	24 ⁷ / ₁₆
72950-515	515	20 ¹ / ₄	72950-645	645	25 ³ / ₈
72950-605	605	23 ¹³ / ₁₆	72950-675	675	26 ¹ / ₁₆
72950-610	610	24			

Prefix 92000-



Part No.	A		Part No.	A		Part No.	A	
	mm	inch		mm	inch		mm	inch
92000-290S	290	11 ⁷ / ₁₆	92000-600S	600	23 ³ / ₈	92000-660S	660	26
92000-380S	380	14 ⁵ / ₁₆	92000-610S	610	24	92000-675S	675	26 ⁹ / ₁₆
92000-420S	420	16 ⁹ / ₁₆	92000-615S	615	24 ³ / ₁₆	92000-685S	685	27
92000-510S	510	20 ¹ / ₁₆	92000-620S	620	24 ⁷ / ₁₆	92000-690S	690	27 ³ / ₁₆
92000-545S	545	21 ⁷ / ₁₆	92000-640S	640	25 ¹ / ₁₆	92000-695S	695	27 ³ / ₈
92000-560S	560	22 ¹ / ₁₆	92000-645S	645	25 ³ / ₈	92000-730S	730	28 ³ / ₄
92000-575S	575	22 ⁵ / ₈	92000-650S	650	25 ¹ / ₁₆	92000-740S	740	29 ¹ / ₈
92000-590S	590	23 ¹ / ₄				92000-900	900	35 ⁷ / ₁₆

Prefix 92350-



Part No.	A		Part No.	A	
	mm	inch		mm	inch
92350-575S	575	22 ³ / ₈	92350-615S	615	24 ³ / ₁₆
92350-585S	585	23	92350-625S	625	24 ⁵ / ₈
92350-595S	595	23 ¹ / ₁₆	92350-630S	630	24 ¹ / ₁₆
92350-605S	605	23 ¹³ / ₁₆	92350-635S	635	25
92350-610S	610	24			

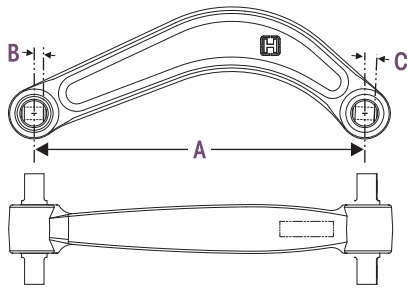
NOTE: The letter (S) at the end of a part number designates forged torque rod, and are interchangeable with a cast torque rod.



One-piece Torque Rods | **SPECIALTY**

* ♦ PRIMAAX EX • FIREMAAX EX

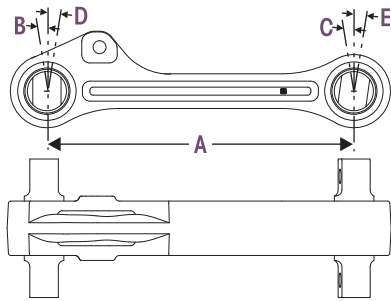
Equipped with Disc Brakes



Shown 68801-435

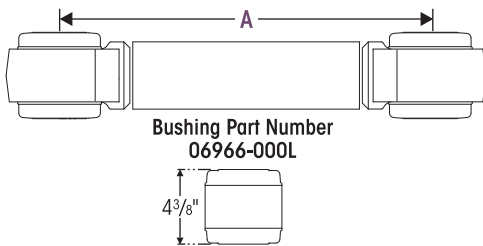
Part No.	A		B	C
	mm	inch		
67219-435	435	17 $\frac{1}{8}$	0°	2.5°
67219-475	475	18 $\frac{1}{16}$	0°	11°
68801-435	435	17 $\frac{1}{8}$	0°	2.5°
68801-475	475	18 $\frac{1}{16}$	0°	11°

* HTB LT • HTB 210



Part No.	A		B	C	D	E
	mm	inch				
♦77906-398	398	15 $\frac{1}{16}$	0°	8°	-	-
66797-001			4°	0°	-	-
66797-002			-	-	2°	6°
66797-003			13°	0°	-	-

* Prefix 13422-



Part No.	A		Part No.	A		Part No.	A	
	mm	inch		mm	inch		mm	inch
13422-039	546.1	21 $\frac{1}{2}$	13422-075	655	25 $\frac{3}{16}$	13422-009	762	30
13422-068	552.5	21 $\frac{3}{4}$	13422-005	660.4	26	13422-018	781.1	30 $\frac{3}{4}$
13422-029	558.8	22	13422-002	673.1	26 $\frac{1}{2}$	13422-025	787.4	31
13422-026	571.5	22 $\frac{1}{2}$	13422-010	679.5	26 $\frac{3}{4}$	13422-020	806.5	31 $\frac{3}{4}$
13422-069	577.9	22 $\frac{3}{4}$	13422-033	685.8	27	13422-012	812.8	32
13422-063	584.2	23	13422-011	692.2	27 $\frac{1}{4}$	13422-004	825.5	32 $\frac{1}{2}$
13422-044	596.9	23 $\frac{1}{2}$	13422-040	698.5	27 $\frac{1}{2}$	13422-003	838.2	33
13422-014	603.3	23 $\frac{3}{4}$	13422-045	704.9	27 $\frac{3}{4}$	13422-008	889	35
13422-019	412.8	16 $\frac{1}{4}$	13422-027	609.6	24	13422-070	711.2	28
13422-060	476.3	18 $\frac{3}{4}$	13422-017	622.3	24 $\frac{1}{2}$	13422-072	713	28 $\frac{1}{16}$
13422-036	495.3	19 $\frac{1}{2}$	13422-055	628.7	24 $\frac{3}{4}$	13422-024	723.9	28 $\frac{1}{2}$
13422-013	508	20	13422-031	635	25	13422-046	743	29 $\frac{1}{4}$
13422-067	520.7	20 $\frac{1}{2}$	13422-074	647.7	25 $\frac{1}{2}$	13422-071	749.3	29 $\frac{1}{2}$
13422-056	533.4	21	13422-022	636.6	25 $\frac{1}{8}$	13422-001	914.4	36
13422-064	539.8	21 $\frac{1}{4}$	13422-029	673.1	26 $\frac{1}{2}$	13422-037	1016	40

* These torque rods are not part of Hendrickson Smart Numbering System.

♦ Torque rod bushings are non-serviceable, replace the complete torque rod assembly that includes bushings.

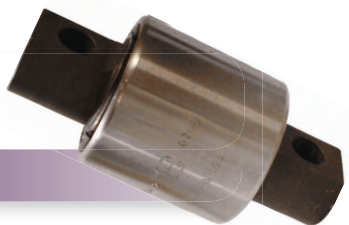


■ **Torque Rod Bushings**

XTRB, Bonded and Conventional Bushings

Whether the application is a lighter duty on-highway truck or a severe vocational application, Hendrickson offers the right bushings for the job.

**XTRB™
BUSHINGS**
XTRB™



XTRB Bushings used for severe duty applications, are a combination of chemical bonding and a mechanical design with a hardened steel bar pin, steel casing, and bonded rubber.

**BONDED
BUSHINGS**
BONDED



Bonded Bushings work great in a vocational environment and are easy to install with the funnel tool.

**CONVENTIONAL
BUSHINGS**
CONVENTIONAL



Conventional Bushings press-in easily and provide the durability needed for medium applications.

ULTRA ROD • ULTRA ROD PLUS Bushing Funnel Tool

Re-bushing a torque rod with a bonded bushing is easier with the use of a funnel tool. Contact your authorized Hendrickson distributor to order the Funnel Tool.



ULTRA ROD Bushings use Tool Part No. 66086-001L



ULTRA ROD PLUS Bushings use Tool Part No. 66086-000L

Special Offer

Kit No. 34013-113 includes Eight ULTRA ROD PLUS Bushings Bushing Part No. 64400-002L and One Funnel Tool Part No. 66086-000L.



STRADDLE

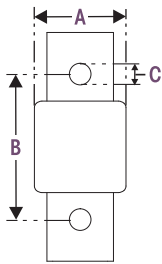
Shown 66649-002L



OFFSET STRADDLE

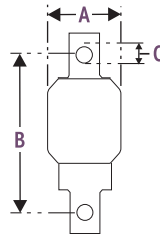
Shown 47699-001L

XTRB BUSHINGS



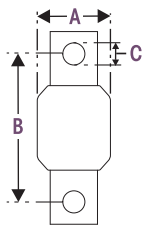
Part No.	Inches		
	A	B	C
66649-002L	2 ³ / ₄	4 ³ / ₈	5 ⁸ / ₁₆
66649-003L	2 ³ / ₄	5 ¹ / ₄	1 ⁵ / ₁₆
66649-005L	2 ³ / ₄	4 ³ / ₈	1 ³ / ₁₆

BONDED BUSHINGS

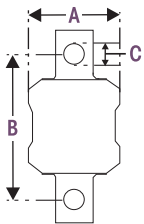


Part No.	Inches		
	A	B	C
66734-000L	2	5 ¹¹ / ₁₆	3 ³ / ₄

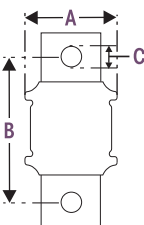
BONDED BUSHINGS



Part No.	Inches		
	A	B	C
47691-000L	2	4 ³ / ₈	5 ⁸ / ₁₆
69210-000L	2	4 ³ / ₈	3 ³ / ₄
67746-000L	2	4 ³ / ₈	7 ⁸ / ₁₆

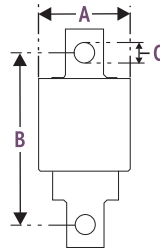


Part No.	Inches		
	A	B	C
64400-003L	3 ¹ / ₄	5 ¹ / ₄	7 ⁸ / ₁₆
64400-005L*	3 ¹ / ₄	4 ³ / ₈	3 ³ / ₄



Part No.	Inches		
	A	B	C
64400-002L*	3 ¹ / ₄	4 ³ / ₈	5 ⁸ / ₁₆
64400-009L*	3 ¹ / ₄	5 ¹¹ / ₁₆	3 ³ / ₄

CONVENTIONAL BUSHINGS



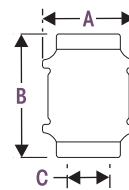
Part No.	Inches		
	A	B	C
46734-000L*	2 ³ / ₄	5 ¹¹ / ₁₆	3 ³ / ₄
47699-001L	3	5 ¹¹ / ₁₆	3 ³ / ₄

THRU HOLE

Shown 45477-000L

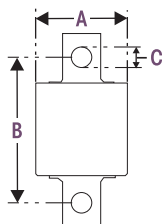


BONDED BUSHINGS



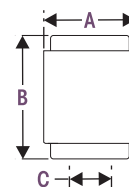
Part No.	Inches		
	A	B	C
64400-010	3 ¹ / ₄	3 ¹ / ₄	1 ¹ / ₈

CONVENTIONAL BUSHINGS



Part No.	Inches		
	A	B	C
44694-000L	2 ⁷ / ₁₆	4 ³ / ₈	5 ⁸ / ₁₆
44695-000L*	2 ³ / ₄	4 ³ / ₈	5 ⁸ / ₁₆
48304-000L	3 ¹ / ₂	5 ¹ / ₄	7 ⁸ / ₁₆
49210-000L*	2 ³ / ₄	4 ³ / ₈	3 ³ / ₄
57256-000L	2 ⁷ / ₁₆	4 ³ / ₈	5 ⁸ / ₁₆

CONVENTIONAL BUSHINGS



Part No.	Inches		
	A	B	C
24504-000L	2 ⁷ / ₈	3 ¹ / ₄	1 ¹ / ₈
44993-000L	3 ³ / ₈	3 ¹ / ₄	1 ¹ / ₈
45477-000L	3	3 ¹ / ₄	1 ¹ / ₈
46736-000L*	2 ³ / ₄	3 ¹ / ₄	1 ¹ / ₈
47692-000L	2	3	7 ⁸ / ₁₆
65477-000L	2	3 ¹ / ₄	1 ¹ / ₈

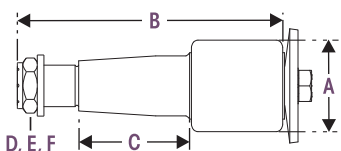
* Part numbers in gray denotes interchangeable conventional and bonded bushings.



TAPER BUSHINGS

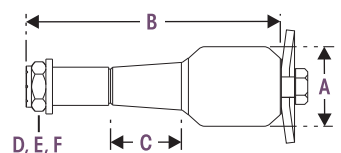
Shown 66649-004L

XTRB BUSHINGS

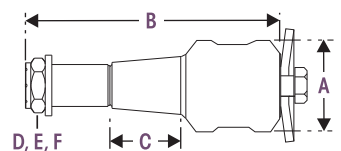


Part No.	Inches			Inches		
	A	B	C	Inches D	Locknut E	Washer F
66649-004L	2¾	8	3	1¼"	29749-000	30574-000

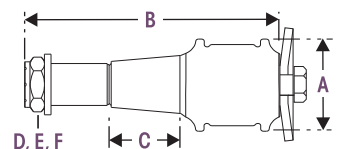
BONDED BUSHINGS



Part No.	Inches			Inches		
	A	B	C	Inches D	Locknut E	Washer F
64697-000L	2	8	3	1¼"	29749-000	30574-000
64809-000L	2	6⅝	2	1⅛"	29896-000	-
66735-000L	2	7	17/8	1¼"	29749-000	30574-000

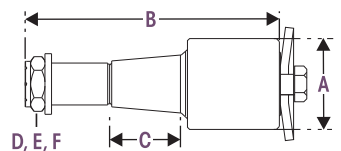


64400-004L*	¾	8	3	1¼"	29749-000	30574-000
64400-006L	¾	8¾	3	1¾"	30603-000	-



64400-007L*	¾	7	1¾	1¼"	29749-000	30574-000
64400-008L*	¾	6⅝	17/8	1⅛"	29896-000	-

CONVENTIONAL BUSHINGS



Part No.	Inches			Fastener		
	A	B	C	Inches D	Locknut E	Washer F
44697-000L*	2¾	8	3	1¼"	29749-000	30574-000
44809-000	2½	6⅝	17/8	1⅛"	29896-000	-
46735-000L*	2¾	7	17/8	1¼"	29749-000	30574-000
46737-000L*	2¾	6⅝	17/8	1⅛"	29896-000	-

* Part numbers in gray denotes interchangeable conventional and bonded bushings.

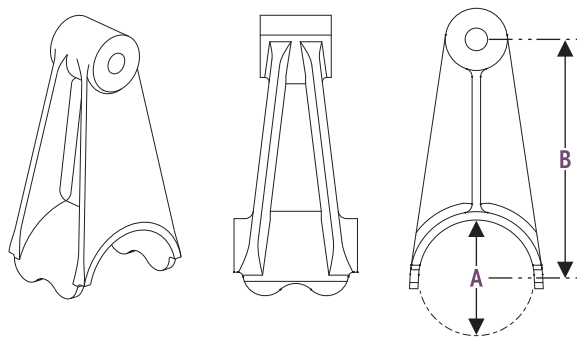


■ Torque Rod Brackets

Torque Rod Straddle Mount Frame Brackets

	<table border="1"> <tr><th>Part No.</th><th>Description</th></tr> <tr><td>33783-000</td><td>Straddle Mount, 3/4" Bolt Mounting (Heavy Duty)</td></tr> </table>	Part No.	Description	33783-000	Straddle Mount, 3/4" Bolt Mounting (Heavy Duty)		<table border="1"> <tr><th>Part No.</th><th>Description</th></tr> <tr><td>22186-000</td><td>Straddle Mount, 5/8" Bolt Mounting</td></tr> </table>	Part No.	Description	22186-000	Straddle Mount, 5/8" Bolt Mounting
Part No.	Description										
33783-000	Straddle Mount, 3/4" Bolt Mounting (Heavy Duty)										
Part No.	Description										
22186-000	Straddle Mount, 5/8" Bolt Mounting										
	<table border="1"> <tr><th>Part No.</th><th>Description</th></tr> <tr><td>30828-000</td><td>Straddle Mount, 3/4" Bolt Mounting</td></tr> </table>	Part No.	Description	30828-000	Straddle Mount, 3/4" Bolt Mounting		<table border="1"> <tr><th>Part No.</th><th>Description</th></tr> <tr><td>46015-000</td><td>Straddle Mount, 7/8" Bolt Mounting (Heavy Duty)</td></tr> </table>	Part No.	Description	46015-000	Straddle Mount, 7/8" Bolt Mounting (Heavy Duty)
Part No.	Description										
30828-000	Straddle Mount, 3/4" Bolt Mounting										
Part No.	Description										
46015-000	Straddle Mount, 7/8" Bolt Mounting (Heavy Duty)										

Trailer Torque Rod Axle Brackets

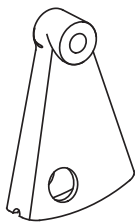


Part No.	A		B	
	mm	inch	mm	inch
08122-003	127	5	266.7	10 1/2
08122-005	139.7	5 1/2	273	10 3/4
08122-006	146	5 3/4	276.23	10 7/8

Transverse Torque Rod Axle Brackets

Hendrickson does not set the guidelines with regard to transverse torque rod axle bracket heights or footprints, due to the many variations of axle combinations, frame widths, and suspension ride heights. Refer to the vehicle manufacturer for component specifications.

Hendrickson supplies transverse torque rod axle brackets (that are not specific to any vehicle or application) as shown below.



Axle Bracket Part Number	Axle Model Number	
48042-000	*Dana (Eaton)	Eaton D460
		Eaton D480
46868-000	*Meritor (Rockwell)	Rockwell SL100
		Rockwell SQ100
		Rockwell SQHP

* It may be necessary to cross-reference the provided axle model number to the current vehicle manufacturer's model number.



Parts List



Contents

FRONT SUSPENSIONS

AIRTEK® NXT Freightliner Vehicles	94
AIRTEK Blue Bird Buses	98 – 105
AIRTEK FCCC Vehicles	106
AIRTEK Freightliner	108, 112, 116 – 117
AIRTEK Western Star	110, 114 – 117
AIRTEK Freightliner • WS • Sterling (prior to 6/2010)	118
AIRTEK Hoist Lift Truck	122
AIRTEK IC Bus	126
AIRTEK International Truck Vehicles	128 – 133
AIRTEK Mack Vehicles	134 – 139, 145
AIRTEK Volvo Vehicles	139 – 145
AIRTEK Spartan Vehicles	146 – 151
AIRTEK Tiffin Vehicles	152
SOFTEK® NXT Peterbilt Vehicles	156
SOFTEK Blue Bird Buses	159 – 167
SOFTEK FCCC Vehicles	168 – 173
SOFTEK International Truck Vehicles	174
SOFTEK Lion Bus	176 – 179
SOFTEK Spartan Bus	180 – 183
SOFTEK Workhorse Vehicles	184
STEERTEK™ NXT High Capacity Autocar	186
STEERTEK™ NXT High Capacity KME	188 – 193
STEERTEK™ NXT High Capacity Rosenbauer	194 – 199
STEERTEK™ NXT High Capacity Sutphen	200 – 204
STEERTEK™ Freightliner • Western Star	205
STEERTEK™ NXT • STEERTEK™ International Truck Vehicles	206 – 215
PARASTEER™	216
PARASTEER HD	218 – 221

REAR AIR SUSPENSIONS

AR2™ 40K • 46K	222
AR2™ Manitowoc	226
COMFORT AIR® ARBOC Vehicles	228
COMFORT AIR Blue Bird Buses	230
COMFORT AIR Hino Vehicles	232 – 235
COMFORT AIR Thomas Built Buses	236

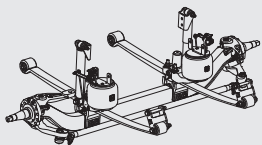
HAS™	238 – 249
HAS Ford Vehicles	250
HAS Spartan Vehicles	252
HTB® LT International Truck Vehicles	254
HTB 210 Spartan Vehicles	256 – 261
OPTIMAAX® Freightliner Vehicles	262
PRIMAAX EX • FIREMAAX EX	264 – 288
PRIMAAX EX Caterpillar Vehicles	289 – 295
PRIMAAX EX Freightliner • Western Star	296 – 303
PRIMAAX EX International Truck	304 – 315
PRIMAAX EX Kenworth Vehicles	316 – 329
PRIMAAX EX Mack Vehicles	330 – 335
PRIMAAX EX Volvo Vehicles	336 – 341
ROADMAAX™ E-One Vehicles	342
ROADMAAX™ Pierce Vehicles	344
ROADMAAX™ Rosenbauer Vehicles	346

REAR MECHANICAL • RUBBER SUSPENSIONS

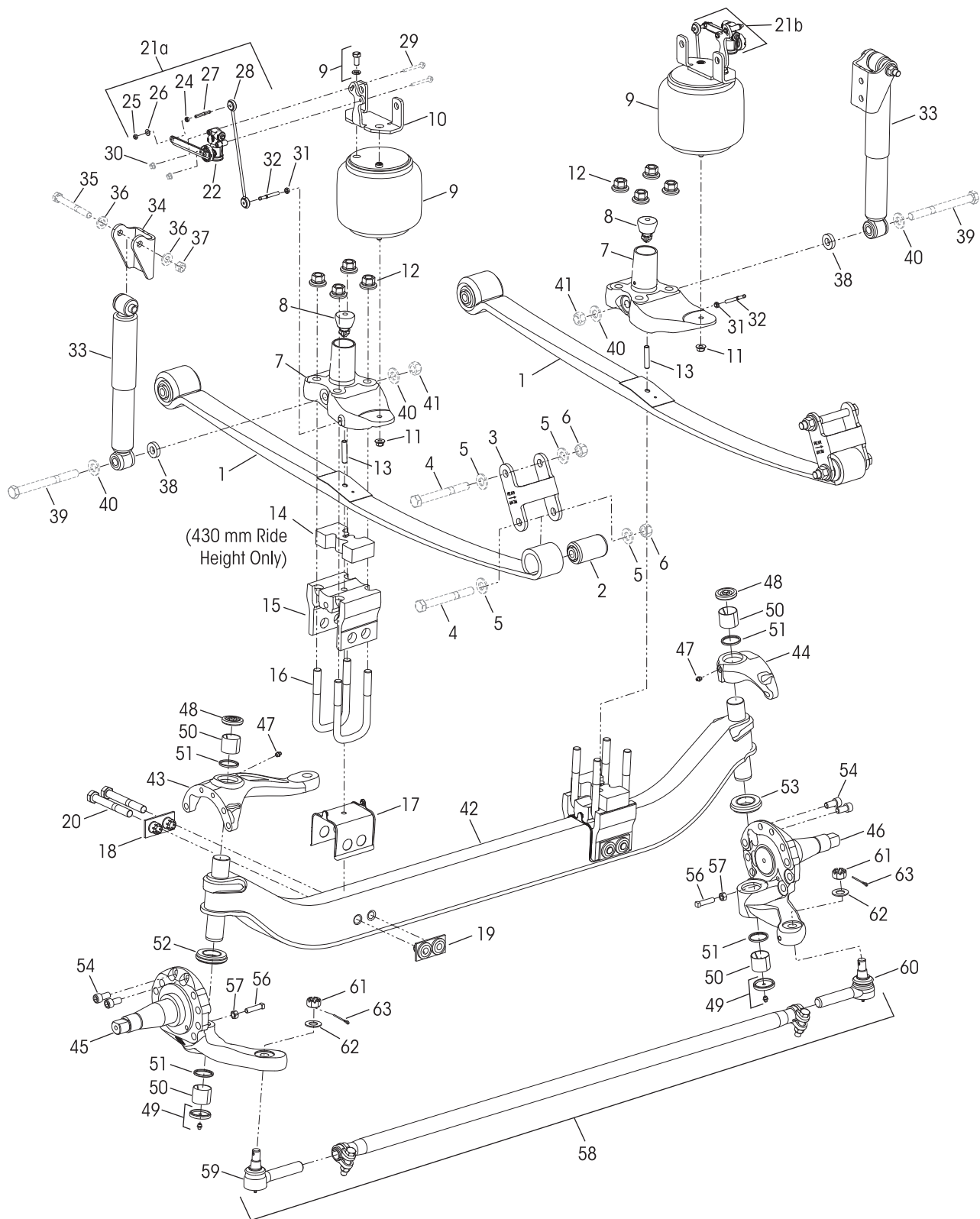
HAULMAAX®	348 – 353
HN®	354 – 359
HTB® 175M Workhorse Motorhome	360
HTS™ Autocar Vehicles	362 – 367
HTS™ Lion Bus	368
R™	370 – 378
R™ Mack Vehicles	379
RS™	378, 380 – 387
RT™ • RTE™	388 – 395
ULTIMAAX® Fire and Rescue Vehicles	396 – 398
ULTIMAAX International Truck Vehicles	400
ULTIMAAX Kenworth Vehicles	402 – 405
ULTIMAAX Western Star Vehicles	406
AL 405 • MaxAir Mack Vehicles	408
AR™	410
E4™	412 – 415
HA™	416
HFS™	420
HN	422
HN • HNT™	424
SR™	426
V4™	428

SPECIAL TOOLS

430



PARTS LISTS



(430 mm Ride Height Only)



KEY NO.		PART NO.	DESCRIPTION	VEHICLE QTY.	KEY NO.		PART NO.	DESCRIPTION	VEHICLE QTY.
1			Leaf Spring Assembly, Includes Non-serviceable Front Spring Eye Bushing and Key No. 2	2	38	59946-012	Lower Shock Spacer (10 mm)	2	
		53622-000	12.5K		39		*M20 x 2.50-6G x 210 mm Bolt	2	
		53767-000	13.3K		40		*M20 Flat Washer	4	
		60961-867	Single Thru-Bolt Bushing Service Kit , Includes Key No. 2 and 64		41		*M20 x 2.5 Locknut	2	
2			**Rear Spring Eye Thru-Bolt Bushing	2		77771-XXX	Front Axle Assembly, Includes Key Nos. 42-63, See Selection Guide on Page 96	1	
3	78046-001		Shackle Plate	2	42	70685-104	12.5K Axle and Kingpin Assembly	1	
4			*M20 x 2.50-6G x 170 mm Hex Bolt	4		78685-104	13.3K Axle and Kingpin Assembly	1	
5			*M20 Flat Washer - H12	8	43		Left Hand Upper Steering Knuckle Assembly, Includes Key Nos. 47-48, 50-51	1	
6			*M20 x 2.5 Locknut	4		60903-473	390 mm Ride Height		
			One Side Clamp Group & Leaf Spring Assembly Service Kit			60903-474	430 mm Ride Height		
			Includes Key Nos. 1-2, 7-8, 12-13, 15-20		44	60904-432	Right Hand Upper Steering Knuckle Assembly, Includes Key Nos. 47-48, 50-51	1	
	34013-238		390 mm Ride Height, 12.5K, Left Hand		45		Left Hand Lower Steering Knuckle Assembly, Includes Key Nos. 49-51, 56-57	1	
	34013-239		390 mm Ride Height, 12.5K, Right Hand			58900-405	150 Ackermann		
	34013-243		390 mm Ride Height, 13.3K, Left Hand			58900-403	200 Ackermann		
	34013-244		390 mm Ride Height, 13.3K, Right Hand			58900-401	230-250 Ackermann		
			Includes Key Nos. 1-2, 7-8, 12-20		46		Right Hand Lower Steering Knuckle Assembly, Includes Key Nos. 49-51, 56-57	1	
	34013-240		430 mm Ride Height, 12.5K, Left Hand			58900-406	150 Ackermann		
	34013-241		430 mm Ride Height, 12.5K, Right Hand			58900-404	200 Ackermann		
	34013-245		430 mm Ride Height, 13.3K, Left Hand			58900-402	230-250 Ackermann		
	34013-246		430 mm Ride Height, 13.3K, Right Hand				Kingpin Bushing and Bearing Service Kits, Axle Set , Includes Kit Nos. 60961-629 & -630		
7	78030-001		Left Hand Top Pad / Shock Bracket	1		60961-628	Left Hand w/Composite Thrust Bearing , Includes Key Nos. 47-52, 54-55		
	78030-002		Right Hand Top Pad / Shock Bracket	1		60961-629	Right Hand w/Roller Thrust Bearing , Includes Key Nos. 47-51, 53-55		
8	64080-000		Rubber Bump Stop	2	47	33117-000	Grease Zerk	2	
9	79115-002L		Air Spring Assembly, Includes Upper Fasteners	2	48	68687-003	Grease Cap Assembly, Upper	2	
10	78762-101		Air Spring and Height Control Valve Bracket	2	49	68687-002	Grease Cap Assembly, Lower	2	
11	68974-000		M12 x 1.75 Flange Locknut	2	50	58909-001	Kingpin Bushing	4	
12	75989-000		M20 x 1.5-6H Two-piece Nut	8			Thrust Bearing Service Kits, Axle Set , Includes Kit Nos. 60961-632 & -633		
13	57159-015		½" x 2½" Dowel Pin, 390 mm Ride Height	2		60961-631	Left Hand Composite Thrust Bearing , Includes Key Nos. 51-52, 54-55		
	57159-014		½" x 4½" Dowel Pin, 430 mm Ride Height	2		60961-632	Right Hand Roller Thrust Bearing , Includes Key Nos. 51, 53-55		
14	77517-040		Leaf Spring Spacer, 430 mm Ride Height Only	2	51	68731-000	Kingpin Seal	4	
15	78044-101		Axle Wrap	2	52	59828-000	Composite Thrust Bearing, Replaces 77907-000	1	
16			M20 x 1.5-6g Semi Round U-bolt	4	53	64256-000	Roller Thrust Bearing	1	
	78025-175		175 mm, 390 mm Ride Height		54	60236-001	⅝"-11 UNC Socket Head Cap Screw	4	
	78025-215		215 mm, 430 mm Ride Height		55	60937-000	Loctite® (Red) Compound Tube (Not Shown)	1	
	60961-802		Axle Clamp Service Kit, One Side , Includes Key Nos. 17-20			60961-069	Stop Bolt Service Kit, One End , Includes Key Nos. 56-57		
17			**Axle Wrap Liner	2	56	60238-001	½"-13 UNC Square Head Stop Bolt	2	
18			**Axle Clamp, Front - Unthreaded	2	57	60240-000	½"-13 UNC Hex Jam Stop Nut	2	
19			**Axle Clamp, Rear - Threaded M20 x 2.5	2	58		Tie Rod Assembly, Includes Key Nos. 59-61, See Selection Guide on Page 96	1	
20			**M20 X 2.5-6G x 160 mm Hex Thru Bolt	4		60961-XXX	Tie Rod End Service Kits , See Selection Guide on Page 96		
21			Height Control Valve and Linkage Assembly,				Axle Set , Includes LH and RH Kits		
	a	59427-101L	Left Hand, Includes Key Nos. 22, 24-28	1			Left Hand , Includes Key Nos. 59, 61-63		
	b	59427-102L	Right Hand, Includes Key Nos. 23-28	1			Right Hand , Includes Key Nos. 60-63		
22	59935-101		Left Hand Height Control Valve	1			Tie Rod Ends, See Selection Guide on Page 96		
23	59935-102		Right Hand Height Control Valve	1	59		Left Hand	1	
24			**⅝"-18 UNC-2B Nut	2	60		Right Hand	1	
25			**⅝"-18 UNC-2B Nylon Lock Nut	2	61		**⅞" Castle Nut	2	
26			**⅝" Flat Washer	2	62	22962-007	⅞" Flat Washer	2	
27			**Leveling Valve Link Stud	2	63	17800-004	Tie Rod Nut Cotter Pin	2	
28	59428-101		Leveling Valve Linkage Assembly	2	64	69125-001	Loctite (Green) one per bushing (Not Shown)	4	
29			*M6 x 1.00 x 55 mm Hex Flange Bolt	4					
30			*M6 x 1.00 Flange Nut	4					
31	17491-011		⅝"-18 UNC-2B Nut	2					
32	59169-003		Link Mount	2					
33	58913-015L		Shock Absorber (538 mm Extended)	2					
34	78047-001		Left Hand Upper Shock Bracket	1					
	78047-002		Right Hand Upper Shock Bracket	1					
35			*M16 x 2.00-6G x 130 mm Bolt	2					
36			*M16 Flat Washer	4					
37			*M16 x 2.00-6H Nut	2					



■ Selection Guide

	Ackermann	Front Axle Assembly Part Number		Tie Rod Assembly Part Number Key No. 58	Tie Rod End Part Number		Tie Rod End Service Kit Part Number
		Ride Height			Left Hand	Right Hand	
		390 mm	430 mm		Key No. 59	Key No. 60	
12.5K	150	77771-001	77771-004	76877-001	70995-001	70995-002	60961-734 (Axle Set) 60961-736 (LH) 60961-741 (RH)
	200	77771-002	77771-005	76877-002			
	230-250	77771-003	77771-006	76877-003			
13.3K	150	77771-007	77771-010	76879-001	76876-001	76876-002	60961-735 (Axle Set) 60961-742 (LH) 60961-743 (RH)
	200	77771-008	77771-011	76879-002			
	230-250	77771-009	77771-012	76879-003			

NOTES: * Not supplied by Hendrickson, used for reference only. Hendrickson is not responsible for components supplied by the vehicle manufacturer. For assistance with maintenance and rebuild instructions on these components see vehicle manufacturer.

** Item included in kit / assembly only, part not sold separately.

Hendrickson **AIRTEK NXT Ride Height Gauge for Freightliner Vehicles** Literature No. 45745-436 can be obtained online at www.hendrickson-intl.com/Litform



■ Tie Rod Selection Guide

	Axle Model	Wheel Base	Tie Rod Assembly Part Number	Tie Rod End Part Number	Tie Rod End Service Kit No.		
8.5K – 10K	Drop Tie Rods – 1 1/4" Threads	Vehicles built AFTER March 2014					
		STEEERTEK NXT	150"/200"	76878-003	76875-001 (LH) 76875-002 (RH)	60961-737 (Axle Set) 60961-739 (LH) 60961-740 (RH)	
			250"	76878-001			
		*Vehicles built PRIOR TO March 2014					
	STEEERTEK NXT STEEERTEK	150"/200"	66699-003	♦ Tie rod end kits are no longer available for these assembly numbers, requires complete tie rod assembly replacement.		76878-003	
		250"	66699-001		76878-001		
		150"/200"	59948-005		76878-003		
		250"	59948-006		76878-001		

	Axle Model	Wheel Base	Tie Rod Assembly Part Number	Tie Rod End Part Number	Tie Rod End Service Kit No.		
13.2K	Straight Tie Rods – 1 1/8" Threads	Vehicles built AFTER March 2014					
		STEEERTEK NXT	150"	76877-004	70995-001 (LH) 70995-002 (RH)	60961-734 (Axle Set) 60961-736 (LH) 60961-741 (RH)	
			200"	76877-005			
			250"	76877-001			
	250"		76877-006				
	*Vehicles built PRIOR TO March 2014						Tie Rod Assembly Replacement Part No.
	STEEERTEK NXT STEEERTEK	150"	60239-004	♦ Tie rod end kits are no longer available for these assembly numbers, requires complete tie rod assembly replacement.		76877-004	
		200"	60239-005		76877-005		
250"		60239-001	76877-001				
250"		60239-006	76877-006				

	Axle Model	Wheel Base	Tie Rod Assembly Part Number	Tie Rod End Part Number	Tie Rod End Service Kit No.		
14.6K	Straight Tie Rods – 1 1/4" Threads	Vehicles built AFTER March 2014					
		STEEERTEK NXT	150"	76879-001	76876-001 (LH) 76876-002 (RH)	60961-735 (Axle Set) 60961-742 (LH) 60961-743 (RH)	
			**200"/250"	76879-002			
	250"		76879-003				
	Vehicles built PRIOR TO March 2014						
	STEEERTEK NXT STEEERTEK	150"	64006-001	64002-001 (LH) 64002-002 (RH)	60961-011 (Axle Set) 60961-027 (LH) 60961-028 (RH)		
		**200"/250"	64006-002				
		250"	64006-003				

NOTES: ♦ Hendrickson supplies various tie rod assemblies. Locate the tie rod assembly part number on the tie rod tube to help determine the tie rod end kit or complete tie rod assembly replacement needed for service as shown in this Tie Rod Selection Guide.
♦♦ For 68987-018 and 68987-024 Axle Assembly.

NOTES: Quantities of service kit components may vary from amount shown in this publication.

* Not supplied by Hendrickson, used for reference only. Hendrickson is not responsible for components supplied by the vehicle manufacturer. For assistance with maintenance and rebuild instructions on these components see vehicle manufacturer.

** Item included in kit/assembly only, part not sold separately.

*** When servicing the Top Pad Part No. 66814-001/-002 on AIRTEK with 13.2K • 14.6K capacity built PRIOR TO October 2012 (Key No. 64 on Page 105), replacement of both left hand and right hand Top Pad is required.

**** When servicing Height Control Valve Assembly on AIRTEK with 13.2K • 14.6K capacity

• built BETWEEN October 2012 and November 2013 – replace the HCV assembly with 59013-000.

• built AFTER November 2013 – replace the HCV assembly with 59013-001.



VEHICLE				VEHICLE			
KEY NO.	PART NO.	DESCRIPTION	QTY.	KEY NO.	PART NO.	DESCRIPTION	QTY.
1	64075-002L	Air Spring	2	35	68687-003	Grease Cap Assembly, Upper	2
2	60850-001	Air Spring Bracket	2	36	68687-002	Grease Cap Assembly, Lower	2
	59427-008	HCV, Link Mount & Linkage Assembly, Includes Key Nos. 3-11	1	37	58909-001	Kingpin Bushing	4
3	59935-004	Height Control Valve	1			Thrust Bearing Service Kits	
4	59428-001	HCV Linkage	1		60961-631	Axle Set , Includes Kit Nos. 60961-632 & -633	
	64742-001	Link Mount Service Kit , Includes Key Nos. 5-6			60961-632	Left Hand Composite Thrust Bearing , Includes Key Nos. 38-39, 41 & Loctite	
5		**5/16"-18 UNC x 2.07" Stud	1		60961-633	Right Hand Roller Thrust Bearing , Includes Key Nos. 38, 40-41 & Loctite	
6		**5/16"-18 UNC x 2.44" Stud	1	38	68731-000	Kingpin Seal	4
7		**5/16"-18 UNC Hex Nut	2	39	59828-000	Left Hand Composite Thrust Bearing	1
8		**5/16" Hardened Washer	2	40	64256-000L	Right Hand Roller Thrust Bearing	1
9		**5/16"-18 UNC Locknut	2	41	60236-001	5/8" Socket Head Cap Screw	4
10		**1/4" Hardened Washer	2	Not Shown	60937-000	Loctite®(Red) Compound Tube	1
11		**1/4"-20 UNC Locknut	2	42	64246-000	ABS Sensor Sleeve	2
12	58913-009L	Shock Absorber	2	43		Tie Rod Assembly, 10K, 5.36" Drop, Includes Key Nos. 44-46, <i>see Selection Guide on Page 97</i>	1
13		*3/4"-10 UNC Upper Shock Bolt	2		60961-XXX	Tie Rod End Service Kits , <i>see Selection Guide on Page 97</i>	
14		*3/4"-10 UNC Lower Shock Bolt	2			Axle Set , Includes Left Hand & Right Hand Kits	
15		*3/4" Hardened Washer	6			Left Hand , Includes Key Nos. 44, 46-48	
16		*3/4"-10 UNC Hex Locknut	4			Right Hand , Includes Key Nos. 45-48	
17	22962-046	Shock Spacer (Flat Washer) - 0.118" Thick	2			Tie Rod End, Includes Key No. 46, <i>see Selection Guide on Page 97</i>	
18	59423-002	Shock Bracket	2	44		Left Hand	1
19	53487-000	Leaf Spring Assembly	2	45		Right Hand	1
20	64488-002	Front Hanger	2	46		**7/8" Castle Nut	2
21		*M20 x 170 mm Hex Bolt	2	47	22962-007	7/8" Flat Washer	2
22		*M20 Hardened Washer	4	48	17800-004	Tie Rod Nut Cotter Pin	2
23		*M20 Locknut	2		60961-069	Stop Bolt Service Kit, One Side , Includes Key Nos. 49-50	
24	66510-001	Rear Shackle Bracket	2	49	60238-001	1/2"-13 UNC Square Head Bolt	2
25	64314-000	Rear Shackle Plate	4	50	60240-000	1/2"-13 UNC Hex Jam Nut	2
26		*M20 x 150 mm Hex Bolt	4			Clamp Group Service Kit, One Side , Includes Key Nos. 51-53	
27		*M20 Hardened Washer	8		60961-673	6 1/2" Ride Height	
28		*M20 Locknut	4		60961-674	8 1/2" Ride Height	
		STEERTEK NXT Axle Assembly , Includes Key Nos. 29-41, 43-48, <i>see Table 1 below</i>	1	51		3/4"-16 UNF Hex bolt	8
29		Axle & Kingpin Assembly	1		21867-036	6 1/2" Ride Height - 5"	
	68986-007M	Vehicle Built After May 2017			21867-006	8 1/2" Ride Height - 7"	
	68986-001M	Vehicle Built Prior to May 2017		52	22962-001	3/4" Flat Washer	8
		Lower Steering Knuckle Assembly, Includes Key Nos. 36-38, 49-50, <i>see Table 1 below</i>		53	17700-035	3/4"-16 UNF 2B Nylon Locknut	8
30		Left Hand	1	54		Top Pad	
31		Right Hand	1		64516-001	Left Hand	1
		Upper Steering Knuckle Assembly, Includes Key Nos. 34-35, 37-38, <i>see Table 1 below</i>			64516-002	Right Hand	1
32		Left Hand	1	55		Front Axle Spacer	2
33		Right Hand	1		a	70105-010	Left Hand 6 1/2" Ride Height - 10 mm
		Kingpin Bushing and Bearing Service Kits			b	64536-060	Left Hand 8 1/2" Ride Height - 60 mm
	60961-628	Axle Set , Includes Kit Nos. 60961-629 & -630			c	64536-050	Right Hand 8 1/2" Ride Height - 50 mm
	60961-629	Left Hand with Composite Thrust Bearing , Includes Key Nos. 34-39, 41 & Loctite		Not Shown	18831-021	Dowel Pin 2" - 8 1/2" Ride Height	2
	60961-630	Right Hand with Roller Thrust Bearing , Includes Key Nos. 34-38, 40-41 & Loctite					
34	33117-000	Grease Zerk	2				

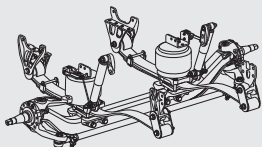
TABLE 1

Wheel Base	STEERTEK NXT Assembly Part No.		Lower Steering Knuckle Assy. Part No.		Upper Steering Knuckle Assy. Part No.	
	Vehicles Built		Left Hand	Right Hand	Left Hand	Right Hand
	AFTER May 2017	PRIOR TO May 2017	Key No. 30	Key No. 31	Key No. 32	Key No. 33
200"	—	68987-007	58900-233	58900-234	60903-216	60904-202
250"	—	68987-008	58900-231	58900-232		
200"	—	68987-011	58900-253	58900-254		
250"	—	68987-012	58900-251	58900-252		
200"	68987-053	68987-045	58900-233	58900-234	60903-252	
250"	68987-054	68987-046	58900-231	58900-232		
200"	68987-055	68987-047	58900-253	58900-254		
250"	68987-056	68987-048	58900-251	58900-252		



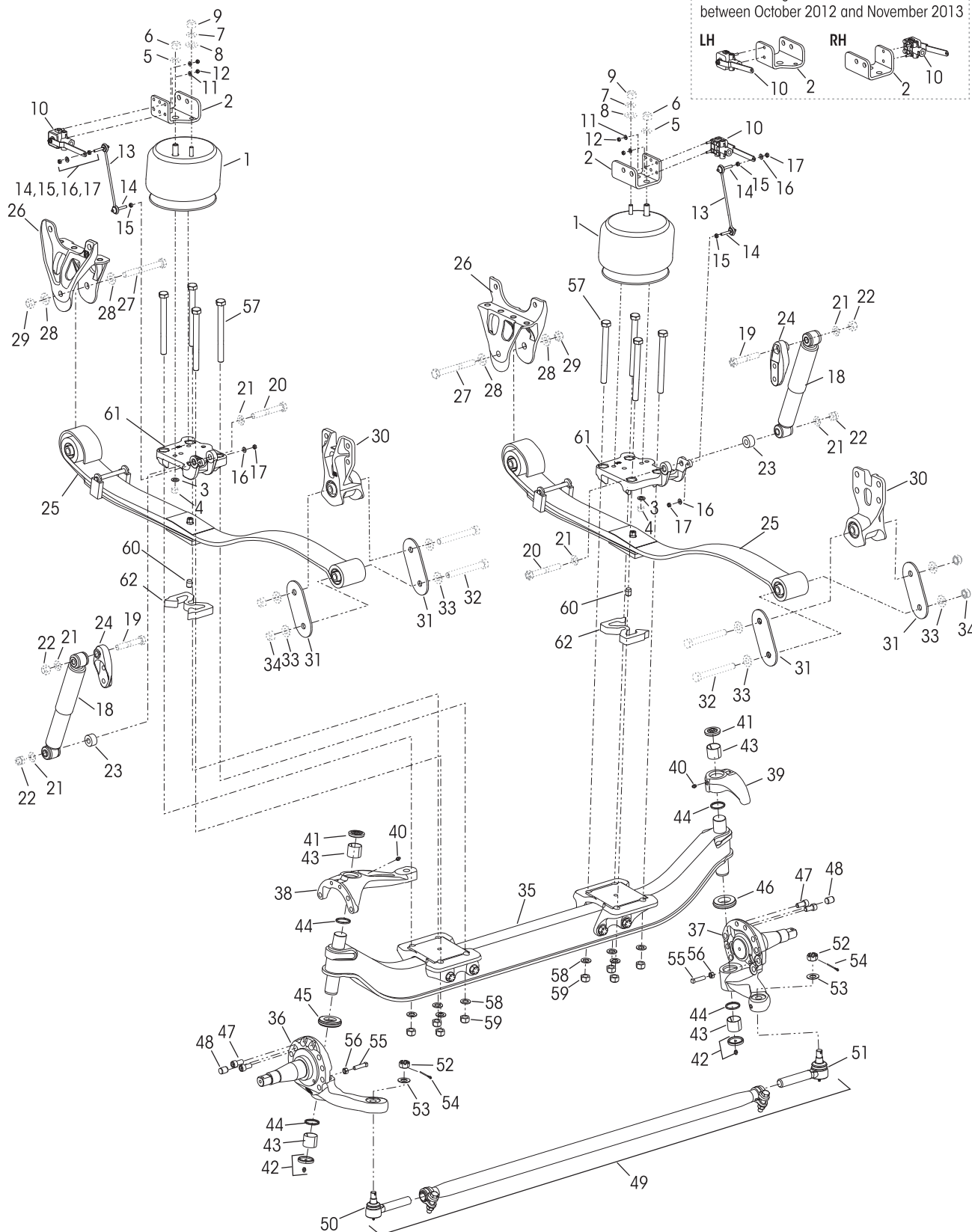
All American Buses – Built after October 2012

13.2K • 14.6K Capacity



PARTS LISTS

****HCV Configuration for Vehicles built between October 2012 and November 2013



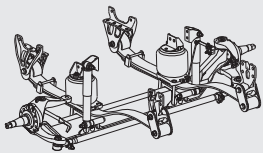


VEHICLE				VEHICLE			
KEY NO.	PART NO.	DESCRIPTION	QTY.	KEY NO.	PART NO.	DESCRIPTION	QTY.
1	66865-002L	Air Spring	2			Kingpin Bushing and Bearing Service Kits	
2	66807-002	Air Spring Bracket, <i>Replaces 66807-001</i>	2	60961-628		Axle Set , Includes Kit Nos. 60961-629 & -630	
3	22962-014	½" Hardened Washer	2	60961-629		Left Hand with Composite Thrust Bearing , Includes Key Nos. 40-45, 47 & Loctite	
4		*½"-13 UNC Nylon Locknut	2	60961-630		Right Hand with Roller Thrust Bearing , Includes Key Nos. 40-44, 46-47 & Loctite	
5		*¾" Hardened Washer	2	40	33117-000	Grease Zerk	2
6		*¾"-16 UNF Nylon Locknut	2	41	68687-003	Grease Cap Assembly, Upper	2
7		*Hardened Washer	2	42	68687-002	Grease Cap Assembly, Lower	2
8		*Wide Hardened Washer	2	43	58909-001	Kingpin Bushing	4
9		*½"-13 UNC Nylon Locknut	2			Thrust Bearing Service Kits	
	59013-001	****Height Control Valve Assembly, Includes Key Nos. 10-12, <i>Replaces 59013-000</i>	2	60961-631		Axle Set , Includes Kit Nos. 60961-632 & -633	
10	60501-001	Height Control Valve, <i>Replaces 60501-000</i>	2	60961-632		Left Hand Composite Thrust Bearing , Includes Key Nos. 44-45, 47 & Loctite	
11	22962-028	¼" Hardened Washer	4	60961-633		Right Hand Roller Thrust Bearing , Includes Key Nos. 44, 46-47 & Loctite	
12	49983-000	¼"-20 UNC Locknut	4	44	68731-000	Kingpin Seal	4
	66825-001	HCV Linkage Assembly, Includes Key Nos. 13-17	2	45	59828-000	Left Hand Composite Thrust Bearing	1
13	59428-005	HCV Linkage	2	46	64256-000L	Right Hand Roller Thrust Bearing	1
14		**5/16"-18 UNC x 2.44" Stud	4	47	60236-001	¾" Socket Head Cap Screw	4
15		**5/16"-18 UNC Hex Nut	4	Not Shown	60937-000	Loctite® (Red) Compound Tube	1
16		**5/16" Hardened Washer	4	48	64246-000	ABS Sensor Sleeve	2
17		**5/16"-18 UNC Locknut	4	49		Tie Rod Assembly, 13.2K • 14.6K, 4.25" Drop, Includes Key Nos. 50-52, <i>see Selection Guide on Page 97</i>	1
18	58913-011L	Shock Absorber	2		60961-XXX	Tie Rod End Service Kits , <i>see Selection Guide on Page 97</i>	
19		*¾"-10 UNC Upper Shock Bolt	2			Axle Set , Includes Left Hand & Right Hand Kits	
20		*¾"-10 UNC Lower Shock Bolt	2			Left Hand , Includes Key Nos. 50, 52-54	
21		*¾" Hardened Washer	6			Right Hand , Includes Key Nos. 53-54	
22		*¾"-10 UNC Hex Locknut	4			Tie Rod End, Includes Key No. 52, <i>see Selection Guide on Page 97</i>	
23	59946-006	Shock Spacer	2	50		Left Hand	1
24	67463-002	Shock Bracket	2	51		Right Hand	1
25	53487-000	Leaf Spring Assembly	2	52		**7/8" Castle Nut	2
26	64488-002	Front Hanger	2	53	22962-007	7/8" Flat Washer	2
27		*M20 x 170 mm Hex Bolt	2	54	17800-004	Tie Rod Nut Cotter Pin	2
28		*M20 Hardened Washer	4		60961-069	Stop Bolt Service Kit, One Side , Includes Key Nos. 55-56	
29		*M20 Locknut	2	55	60238-001	½"-13 UNC Square Head Bolt	2
30	66510-001	Rear Shackle Bracket	2	56	60240-000	½"-13 UNC Hex Jam Nut	2
31	64314-000	Rear Shackle Plate	4			Clamp Group Service Kit, One Side , Includes Key Nos. 57-59	
32		*M20 x 150 mm Hex Bolt	4		60961-673	6.8" Ride Height	
33		*M20 Hardened Washer	8		60961-692	7.8" Ride Height	
34		*M20 Locknut	4		60961-674	8.8" Ride Height	
	68987-XXX	STEERTEK NXT Axle Assembly, Includes Key Nos. 35-39, 45-47, 49, 53-54, <i>contact Hendrickson Tech Service for Part Number</i>	1		60961-693	9.8" Ride Height	
35		Axle & Kingpin Assembly 6.8", 7.8", 8.8" and 9.8" Ride Height	1	57		¾"-16 UNF Hex bolt	8
	68986-005M	13.2K, Narrow			21867-036	6.8" Ride Height - 5"	
	68986-002M	14.6K, Wide			21867-007	7.8" Ride Height - 6"	
36		Left Hand Lower Steering Knuckle Assembly Includes Key Nos. 42-44, 55-56	1		21867-006	8.8" Ride Height - 7"	
	58900-235	150 Ackermann Air Brake, Includes Key No. 48			21867-004	9.8" Ride Height - 8"	
	58900-233	200 Ackermann Air Brake, Includes Key No. 48		58	22962-001	¾" Flat Washer	8
	58900-231	250 Ackermann Air Brake, Includes Key No. 48		59	17700-035	¾"-16 UNF 2B Nylon Locknut	8
	58900-255	150 Ackermann Hydraulic Brake		60		Dowel Pin	2
	58900-253	200 Ackermann Hydraulic Brake				6.8" Ride Height	None Req.
	58900-251	250 Ackermann Hydraulic Brake				7.8" Ride Height - 1.13"	
37		Right Hand Lower Steering Knuckle Assembly Includes Key Nos. 42-44, 55-56	1			8.8" Ride Height - 2"	
	58900-236	150 Ackermann Air Brake, Includes Key No. 48				9.8" Ride Height - 3"	
	58900-234	200 Ackermann Air Brake, Includes Key No. 48		61		Top Pad	
	58900-232	250 Ackermann Air Brake, Includes Key No. 48			66814-001	Left Hand	1
	58900-256	150 Ackermann Hydraulic Brake			66814-002	Right Hand	1
	58900-254	200 Ackermann Hydraulic Brake		62		Left Hand/Right Hand Front Axle Spacer	2
	58900-252	250 Ackermann Hydraulic Brake				6.8" Ride Height	None Req.
38		Left Hand Upper Steering Knuckle Assembly Includes Key Nos. 40-41, 43-44	1		64536-025	7.8" Ride Height - 25 mm	
	60903-255	14.6K			64536-050	8.8" Ride Height - 50 mm	
	60903-258	13.2K	1		64536-075	9.8" Ride Height - 75 mm	
39	60904-202	Right Hand Upper Steering Knuckle Assembly Includes Key Nos. 40-41, 43-44	1				

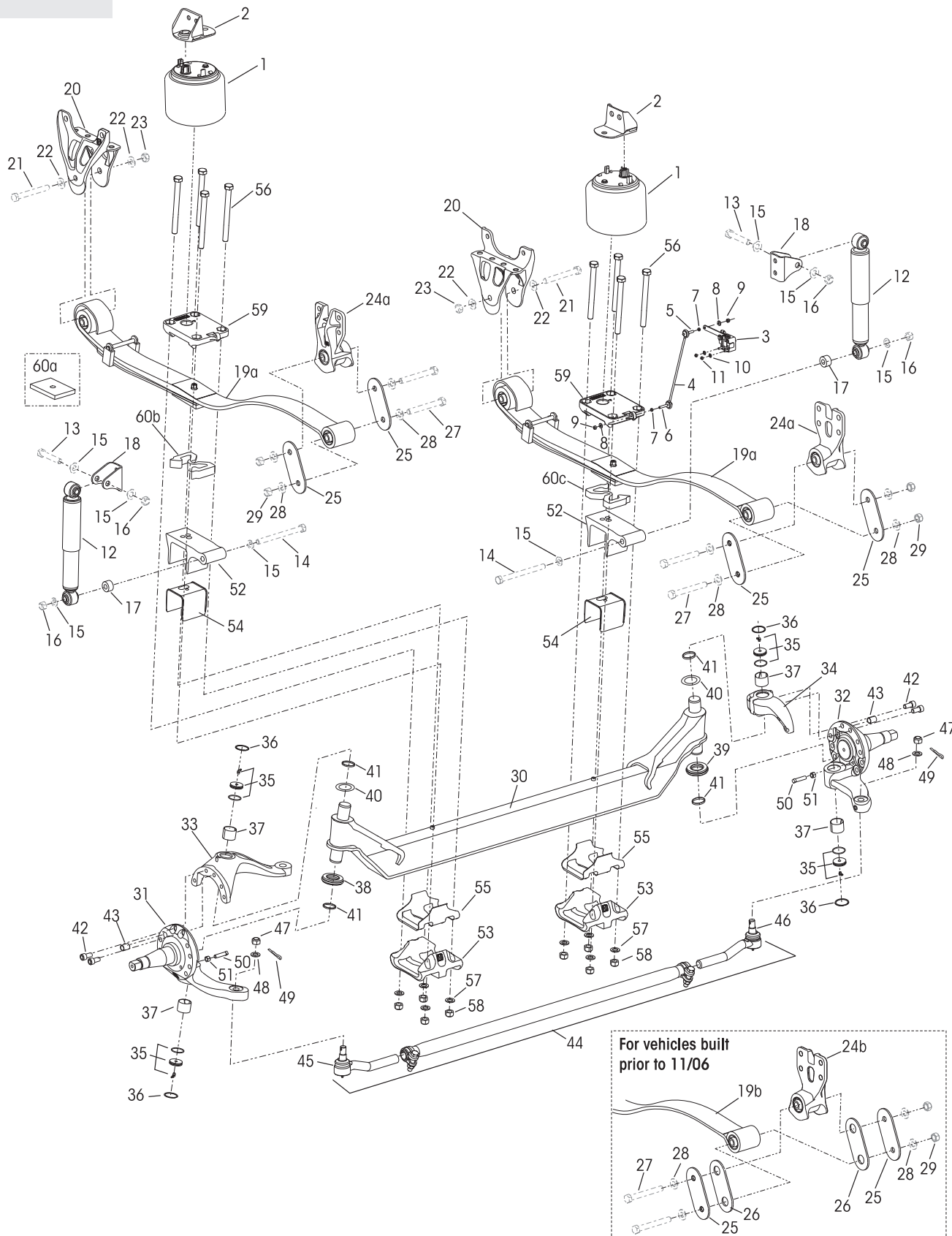


Vision Buses – Built prior to October 2012

10K Capacity



PARTS LISTS





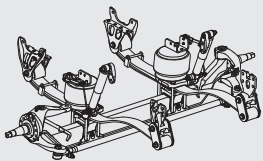
KEY NO.	PART NO.	DESCRIPTION	VEHICLE QTY.
1	64075-002L	Air Spring	2
2	60850-001	Air Spring Bracket	2
	59427-008	HCV, Link Mount & Linkage Assembly, Includes Key Nos. 3-11	1
3	59935-004	Height Control Valve	1
4	59428-001	HCV Linkage	1
	64742-001	Link Mount Service Kit, Includes Key Nos. 5-6	
5		**5/16"-18 UNC x 2.07" Stud	1
6		**5/16"-18 UNC x 2.44" Stud	1
7		**5/16"-18 UNC Hex Nut	2
8		**5/16" Hardened Washer	2
9		**5/16"-18 UNC Locknut	2
10		**1/4" Hardened Washer	2
11		**1/4"-20 UNC Locknut	2
12	58913-009L	Shock Absorber, <i>Replaces 58913-008</i>	2
13		*3/4"-10 UNC Upper Shock Bolt	2
14		*3/4"-10 UNC Lower Shock Bolt	2
15		*3/4" Hardened Washer	8
16		*3/4"-10 UNC Hex Locknut	4
17	59946-001	Shock Spacer	2
18	59423-002	Shock Bracket	2
19		Leaf Spring Assembly	2
a	53487-000	For vehicles built after 11/06, <i>Replaces 66805-001</i>	
b	60512-000	For vehicles built prior to 11/06	
20	64488-002	Front Hanger, <i>Replaces 64488-000</i>	2
21		*M20 x 170 mm Hex Bolt	2
22		*M20 Hardened Washer	4
23		*M20 Locknut	2
24		Rear Shackle Bracket	2
a	66510-001	For vehicles built after 11/06	
b	64316-000	For vehicles built prior to 11/06	
25	64314-000	Rear Shackle Plate	4
26	64159-000	Thrust Washer Only for vehicles built prior to 11/06	4
27		*M20 x 150 mm Hex Bolt	4
28		*M20 Hardened Washer	8
29		*M20 Locknut	4
	60952-XXX	STEERTEK Axle Assembly, Includes Key Nos. 30-36, 38-40, 42, 44, 48-55, <i>contact Hendrickson Tech Services for Part Number</i>	1
30	64905-004	Axle & Kingpin Assembly, Narrow 6 1/2", 8 1/2" Ride Height	1
31		Left Hand Lower Steering Knuckle Assembly Includes Key Nos. 37, 41	1
	58900-035	150 Ackermann Air Brake, Includes Key No. 43	
	58900-033	200 Ackermann Air Brake, Includes Key No. 43	
	58900-031	250 Ackermann Air Brake, Includes Key No. 43	
	58900-055	150 Ackermann Hydraulic Brake	
	58900-053	200 Ackermann Hydraulic Brake	
	58900-051	250 Ackermann Hydraulic Brake	
32		Right Hand Lower Steering Knuckle Assembly Includes Key Nos. 37, 41	1
	58900-036	150 Ackermann Air Brake, Includes Key No. 43	
	58900-034	200 Ackermann Air Brake, Includes Key No. 43	
	58900-032	250 Ackermann Air Brake, Includes Key No. 43	
	58900-056	150 Ackermann Hydraulic Brake	
	58900-054	200 Ackermann Hydraulic Brake	
	58900-052	250 Ackermann Hydraulic Brake	
33	60903-016	Left Hand Upper Steering Knuckle Assembly Includes Key Nos. 37, 41	1
34	60904-002	Right Hand Upper Steering Knuckle Assembly Includes Key Nos. 37, 41	1

KEY NO.	PART NO.	DESCRIPTION	VEHICLE QTY.
		Kingpin Bushing and Bearing Service Kits	
	60961-040	Axle Set, Includes Kit Nos. 60961-009 & -039	
	60961-009	Left Hand with Composite Thrust Bearing, Includes Key Nos. 35-38, 40-42 & Loctite	
	60961-039	Right Hand with Roller Thrust Bearing, Includes Key Nos. 35-37, 39-42 & Loctite	
35	59156-000	Grease Cap Assembly	4
36	58937-000	Retaining Ring	4
37	58909-000	Kingpin Bushing	4
		Thrust Bearing Service Kits	
	60961-043	Axle Set, Includes Kit Nos. 60961-632 & -633	
	60961-041	Left Hand Composite Thrust Bearing, Includes Key Nos. 38, 40-42 & Loctite	
	60961-042	Right Hand Roller Thrust Bearing, Includes Key Nos. 39-42 & Loctite	
38	59828-000	Left Hand Composite Thrust Bearing	1
39	64256-000L	Right Hand Roller Thrust Bearing	1
40		Kingpin Shim As Req.	
	60259-001X	0.005" Thickness (Pack of 4)	
	60259-002	0.047" Thickness	
41	58910-001	Kingpin Seal, <i>Replaces 58910-000</i>	4
42	60236-001	5/8"-11 UNC Socket Head Cap Screw	4
Not Shown	60937-000	Loctite (Red) Compound Tube	1
43	64246-000	ABS Sensor Sleeve	2
44		Tie Rod Assembly, 10K, 5.36" Drop, Includes Key Nos. 45-47, <i>see Selection Guide on Page 97</i>	1
	60961-XXX	Tie Rod End Service Kits, <i>see Selection Guide on Page 97</i>	
		Axle Set, Includes Left Hand & Right Hand Kits	
		Left Hand, Includes Key Nos. 45, 47-49	
		Right Hand, Includes Key Nos. 46-49	
		Tie Rod End, Includes Key No. 47, <i>see Selection Guide on Page 97</i>	
45		Left Hand	1
46		Right Hand	1
47		**7/8" Castle Nut	2
48	22962-007	7/8" Flat Washer	2
49	17800-004	Tie Rod Nut Cotter Pin	2
	60961-069	Stop Bolt Service Kit, One Side, Includes Key Nos. 50-51	
50	60238-001	1/2"-13 UNC Square Head Bolt	2
51	60240-000	1/2"-13 UNC Hex Jam Nut	2
52	59952-003	Top Axle Wrap	2
53	64722-003	Bottom Axle Wrap	2
	60961-015	Top/Bottom Axle Wrap Liner Service Kit, One Side, Includes Key Nos. 54-55	
54	60508-000	Top Axle Wrap Liner	2
55	59845-000	Bottom Axle Wrap Liner	2
		Clamp Group Service Kit, One Side, Includes Key Nos. 56-58	
	60961-051	6 1/2" Ride Height	
	60961-052	8 1/2" Ride Height	
56		3/4"-16 UNF Hex bolt	8
	21867-044	6 1/2" Ride Height - 10"	
	21867-045	8 1/2" Ride Height - 12"	
57	22962-001	3/4" Flat Washer	8
58	17700-035	3/4"-16 UNF 2B Nylon Locknut	8
59		Top Pad	
	64516-001	Left Hand	1
	64516-002	Right Hand	1
60		Front Axle Spacer	2
a	70105-010	Left Hand 6 1/2" Ride Height - 10 mm, <i>Replaces 64536-010</i>	
b	64536-060	Left Hand 8 1/2" Ride Height - 60 mm	
c	64536-050	Right Hand 8 1/2" Ride Height - 50 mm	
Not Shown	18831-021	Dowel Pin 2", 8 1/2" Ride Height	2

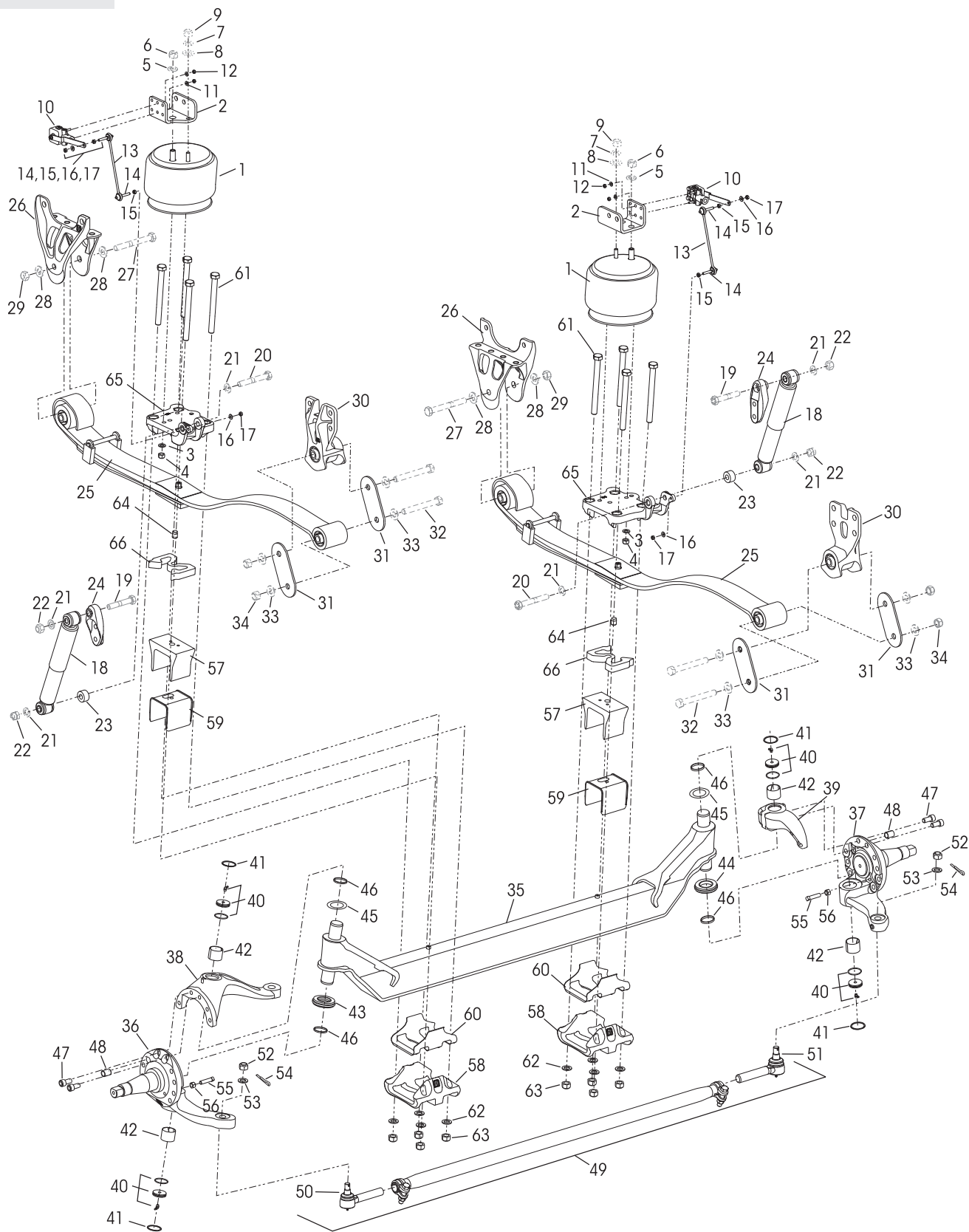


All American Buses – Built prior to October 2012

13.2K • 14.6K Capacity



PARTS LISTS



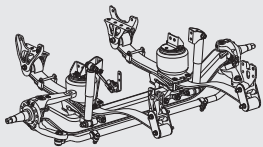


VEHICLE				VEHICLE			
KEY NO.	PART NO.	DESCRIPTION	QTY.	KEY NO.	PART NO.	DESCRIPTION	QTY.
1	66865-002L	Air Spring	2		60961-039	Right Hand with Roller Thrust Bearing, Includes Key Nos. 40-42, 44-47 & Loctite	
2	66807-002	Air Spring Bracket, <i>Replaces 66807-001</i>	2	40	59156-000	Grease Cap Assembly	4
3	22962-014	½" Hardened Washer	2	41	58937-000	Retaining Ring	4
4	17700-032	½"-13 UNC Nylon Locknut	2	42	58909-000	Kingpin Bushing	4
5		*¾" Hardened Washer	2			Thrust Bearing Service Kits	
6		*¾"-16 UNF Nylon Locknut	2	60961-043		Axle Set, Includes Kit Nos. 60961-632 & -633	
7		*Hardened Washer	2	60961-041		Left Hand Composite Thrust Bearing, Includes Key Nos. 43, 45-47 & Loctite	
8		*Wide Hardened Washer	2	60961-042		Right Hand Roller Thrust Bearing, Includes Key Nos. 44-47 & Loctite	
9		*½"-13 UNC Nylon Locknut	2	43	59828-000	Left Hand Composite Thrust Bearing	1
	59013-000	****Height Control Valve Assembly, Includes Key Nos. 10-12	2	44	64256-000L	Right Hand Roller Thrust Bearing	1
10	60501-000	Height Control Valve	2	45		Kingpin Shim	As Req.
11	22962-028	¼" Hardened Washer	4		60259-001X	0.005" Thickness (Pack of 4)	
12	49983-000	¼"-20 UNC Locknut	4		60259-002	0.047" Thickness	
	66825-001	HCV Linkage Assembly, Includes Key Nos. 13-17	2	46	58910-001	Kingpin Seal, <i>Replaces 58910-000</i>	4
13	59428-005	HCV Linkage	2	47	60236-001	⅝"-11 UNC Socket Head Cap Screw	4
14		**⅝"-18 UNC x 2.44" Stud	4	Not Shown	60937-000	Loctite (Red) Compound Tube	1
15		**⅝"-18 UNC Hex Nut	4	48	64246-000	ABS Sensor Sleeve	2
16		**⅝"-18 UNC Hardened Washer	4	49		Tie Rod Assembly, 13.2K • 14.6K, 4.25" Drop, Includes Key Nos. 50-52, <i>see Selection Guide on Page 97</i>	1
17		**⅝"-18 UNC Locknut	4		60961-XXX	Tie Rod End Service Kits, see Selection Guide on Page 97	
18	58913-011L	Shock Absorber	2			Axle Set, Includes Left Hand & Right Hand Kits	
19		*¾"-10 UNC Upper Shock Bolt	2			Left Hand, Includes Key Nos. 50, 52-54	
20		*¾"-10 UNC Lower Shock Bolt	2			Right Hand, Includes Key Nos. 51-54	
21		*¾" Hardened Washer	6			Tie Rod End, Includes Key No. 52, <i>see Selection Guide on Page 97</i>	
22		*¾"-10 UNC Hex Locknut	4	50		Left Hand	1
23	59946-006	Shock Spacer	2	51		Right Hand	1
24	67463-002	Shock Bracket, <i>Replaces 65000-002</i>	2	52		**⅞" Castle Nut	2
25	53487-000	Leaf Spring Assembly, <i>Replaces 66805-001</i>	2	53	22962-007	⅞" Flat Washer	2
26	64488-002	Front Hanger	2	54	17800-004	Tie Rod Nut Cotter Pin	2
27		*M20 x 170 mm Hex Bolt	2		60961-069	Stop Bolt Service Kit, One Side, Includes Key Nos. 55-56	
28		*M20 Hardened Washer	4	55	60238-001	½"-13 UNC Square Head Bolt	2
29		*M20 Locknut	2	56	60240-000	½"-13 UNC Hex Jam Nut	2
30	66510-001	Rear Shackle Bracket	2	57	59952-026	Top Axle Wrap	2
31	64314-000	Rear Shackle Plate	4	58	64722-003	Bottom Axle Wrap	2
32		*M20 x 150 mm Hex Bolt	4		60961-015	Top/Bottom Axle Wrap Liner Service Kit, One Side, Includes Key Nos. 59-60	
33		*M20 Hardened Washer	8	59	60508-000	Top Axle Wrap Liner	2
34		*M20 Locknut	4	60	59845-000	Bottom Axle Wrap Liner	2
	60952-XXX	STEERTEK Axle Assembly, Includes Key Nos. 35-41, 43-45, 47, 49, 53-60, <i>contact Hendrickson Tech Service for Part Number</i>	1			Clamp Group Service Kit, One Side, Includes Key Nos. 61-63	
35		Axle & Kingpin Assembly 6.8", 7.8", 8.8" and 9.8" Ride Height	1	60961-051		6.8" Ride Height	
	64905-004	13.2K, Narrow		60961-146		7.8" Ride Height	
	64905-007	14.6K, Wide		60961-052		8.8" Ride Height	
36		Left Hand Lower Steering Knuckle Assembly, Includes Key Nos. 42, 46	1	60961-147		9.8" Ride Height	
	58900-035	150 Ackermann Air Brake, Includes Key No. 48		61		¾"-16 UNF Hex bolt	8
	58900-033	200 Ackermann Air Brake, Includes Key No. 48			21867-044	6.8" Ride Height - 10"	
	58900-031	250 Ackermann Air Brake, Includes Key No. 48			21867-027	7.8" Ride Height - 11"	
	58900-055	150 Ackermann Hydraulic Brake			21867-045	8.8" Ride Height - 12"	
	58900-053	200 Ackermann Hydraulic Brake			21867-035	9.8" Ride Height - 13"	
	58900-051	250 Ackermann Hydraulic Brake		62	22962-001	¾" Flat Washer	8
37		Right Hand Lower Steering Knuckle Assembly, Includes Key Nos. 42, 46	1	63	17700-035	¾"-16 UNF 2B Nylon Locknut	8
	58900-036	150 Ackermann Air Brake, Includes Key No. 48		64		Dowel Pin	2
	58900-034	200 Ackermann Air Brake, Includes Key No. 48				6.8" Ride Height	None Req.
	58900-032	250 Ackermann Air Brake, Includes Key No. 48			18831-022	7.8" Ride Height - 1.13"	
	58900-056	150 Ackermann Hydraulic Brake			18831-021	8.8" Ride Height - 2"	
	58900-054	200 Ackermann Hydraulic Brake			18831-023	9.8" Ride Height - 3"	
	58900-052	250 Ackermann Hydraulic Brake		65	66814-001	***Left Hand Top Pad	1
38		Left Hand Upper Steering Knuckle Assembly, Includes Key Nos. 42, 46	1		66814-002	***Right Hand Top Pad	1
	60903-058	13.2K		66		Left Hand/Right Hand Front Axle Spacer	2
	60903-055	14.6K				6.8" Ride Height	None Req.
39	60904-002	Right Hand Upper Steering Knuckle Assembly, Includes Key Nos. 42, 46	1		64536-025	7.8" Ride Height - 25 mm	
		Kingpin Bushing and Bearing Service Kits			64536-050	8.8" Ride Height - 50 mm	
	60961-040	Axle Set, Includes Kit Nos. 60961-009 & -039			64536-075	9.8" Ride Height - 75 mm	
	60961-009	Left Hand with Composite Thrust Bearing, Includes Key Nos. 40-43, 45-47 & Loctite					

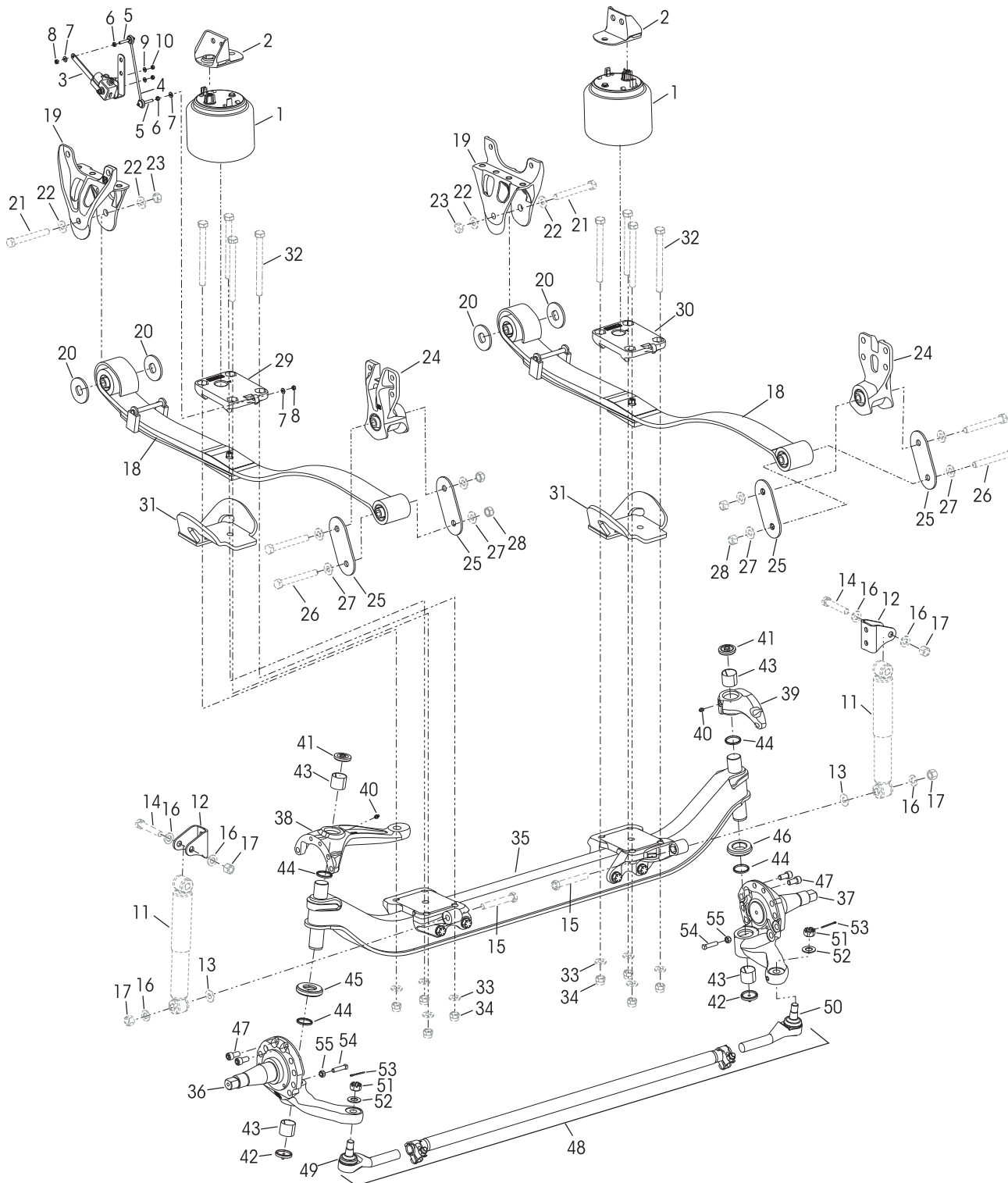


Motorhome Chassis

10K Capacity



PARTS LISTS





VEHICLE				VEHICLE			
KEY NO.	PART NO.	DESCRIPTION	QTY.	KEY NO.	PART NO.	DESCRIPTION	QTY.
1	64075-002L	Air Spring	2	37	58900-470	Right Hand Lower Steering Knuckle Assembly Includes Key Nos. 42-44, 54-55	1
2	60850-001	Air Spring Bracket	2	38	60903-436	Left Hand Upper Steering Knuckle Assembly Includes Key Nos. 40-41, 43-44	1
	70417-000	HCV, Link Mount & Linkage Assembly, Includes Key Nos. 3-10	1	39	60904-432	Right Hand Upper Steering Knuckle Assembly Includes Key Nos. 40-41, 43-44	1
3	60501-000	Height Control Valve	1			Kingpin Bushing and Bearing Service Kits	
4	59428-002	HCV Linkage	1			Axle Set , Includes Kit Nos. 60961-629 & -630	
5	59169-003	5/16"-18 UNC Stud	2			Left Hand with Composite Thrust Bearing ,	
6	17491-011	5/16"-18 UNC 2B Nut	2			Includes Key Nos. 40-45, 47 & Loctite	
7	22962-029	5/16" Flat Washer	3			Right Hand with Roller Thrust Bearing ,	
8	59016-000	5/16"-18 UNC 2B Nut	2			Includes Key Nos. 40-44, 46-47 & Loctite	
9	22962-028	1/4" Flat Washer	2				
10	49983-000	1/4"-20 UNC Locknut	2	40	33117-000	Grease Zerk	2
11		*Shock Absorber	2	41	68687-003	Grease Cap Assembly, Upper	2
12	59423-002	Shock Bracket	2	42	68687-002	Grease Cap Assembly, Lower	2
13		*Shock Spacer - 1/8" Thick	2	43	58909-001	Kingpin Bushing	4
14		*3/4"-10 UNC x 4" Upper Shock Bolt	2			Thrust Bearing Service Kits	
15		*3/4"-10 UNC x 5" Lower Shock Bolt	2			Axle Set , Includes Kit Nos. 60961-632 & -633	
16		*3/4" Flat Washer	6			Left Hand Composite Thrust Bearing ,	
17		*3/4"-10 UNC Hex Locknut	4			Includes Key Nos. 44-45, 47 & Loctite	
18	53468-000	Leaf Spring Assembly	2			Right Hand Roller Thrust Bearing ,	
19	66297-000	Front Hanger	2			Includes Key Nos. 44, 46-47 & Loctite	
20	67493-000	Thrust Washer - Front Hanger	4	44	68731-000	Kingpin Seal	4
21		*3/4"-10 UNF x 6 1/2" Hex Bolt	2	45	59828-000	Left Hand Composite Thrust Bearing	1
22		*3/4" Flat Washer	4	46	64256-000L	Right Hand Roller Thrust Bearing	1
23		*3/4"-10 UNF 2B Locknut	2	47	60236-001	5/8"-11 UNC Socket Head Cap Screw	4
24	66510-001	Rear Shackle Bracket and Bushing Assembly	2	Not Shown	60937-000	Loctite® (Red) Compound Tube	1
25	64314-000	Rear Shackle Plate	4	48	68869-001	***Tie Rod Assembly, Includes Key Nos. 49-51	1
26		*3/4"-10 UNC x 6 1/2" Hex Bolt	4			***Tie Rod End Service Kits	
27		*3/4" Washer	8			Axle Set , Includes Kit Nos. 60961-624 & -625	
28		*3/4"-10 UNC Hex Locknut	4			Left Hand , Includes Key Nos. 49, 51-53	
29	64516-001	Left Hand Top Pad	1			Right Hand , Includes Key Nos. 50-53	
30	64516-002	Right Hand Top Pad	1			***Tie Rod End	
31	68759-004	Sway Bar Bracket	2	49	68935-001	Left Hand	1
32		*3/4"-16 UNF x 5 1/2" Hex Bolt	8	50	68935-002	Right Hand	1
33		*3/4" Flat Washer	8	51		**7/8" Castle Nut	2
34		*3/4"-16 UNF 2B Locknut	8	52	22962-007	7/8" Flat Washer	2
	68927-006	STEERTEK NXT Axle Assembly, 69" KPI, 5.36" Drop, 250 Ackermann, Includes Key Nos. 35-39, 45-48, 52-53	1	53	17800-004	Tie Rod Nut Cotter Pin	2
35	68926-003M	Axle & Kingpin Assembly	1			Stop Bolt Service Kit, One Side ,	
36	58900-469	Left Hand Lower Steering Knuckle Assembly Includes Key Nos. 42-44, 54-55	1			Includes Key Nos. 54-55	
				54	60238-001	1/2"-13 UNC Square Head Bolt	2
				55	60240-000	1/2"-13 UNC Hex Jam Nut	2

NOTES: * Not supplied by Hendrickson, used for reference only. Hendrickson is not responsible for components supplied by the vehicle manufacturer. For assistance with maintenance and rebuild instructions on these components see vehicle manufacturer.

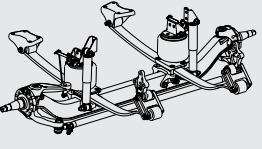
** Item included in kit/assembly only, part not sold separately.

*** The tie rod assembly is designed for use on a suspension with hydraulic brakes, it is not designed for vehicles with air brakes.

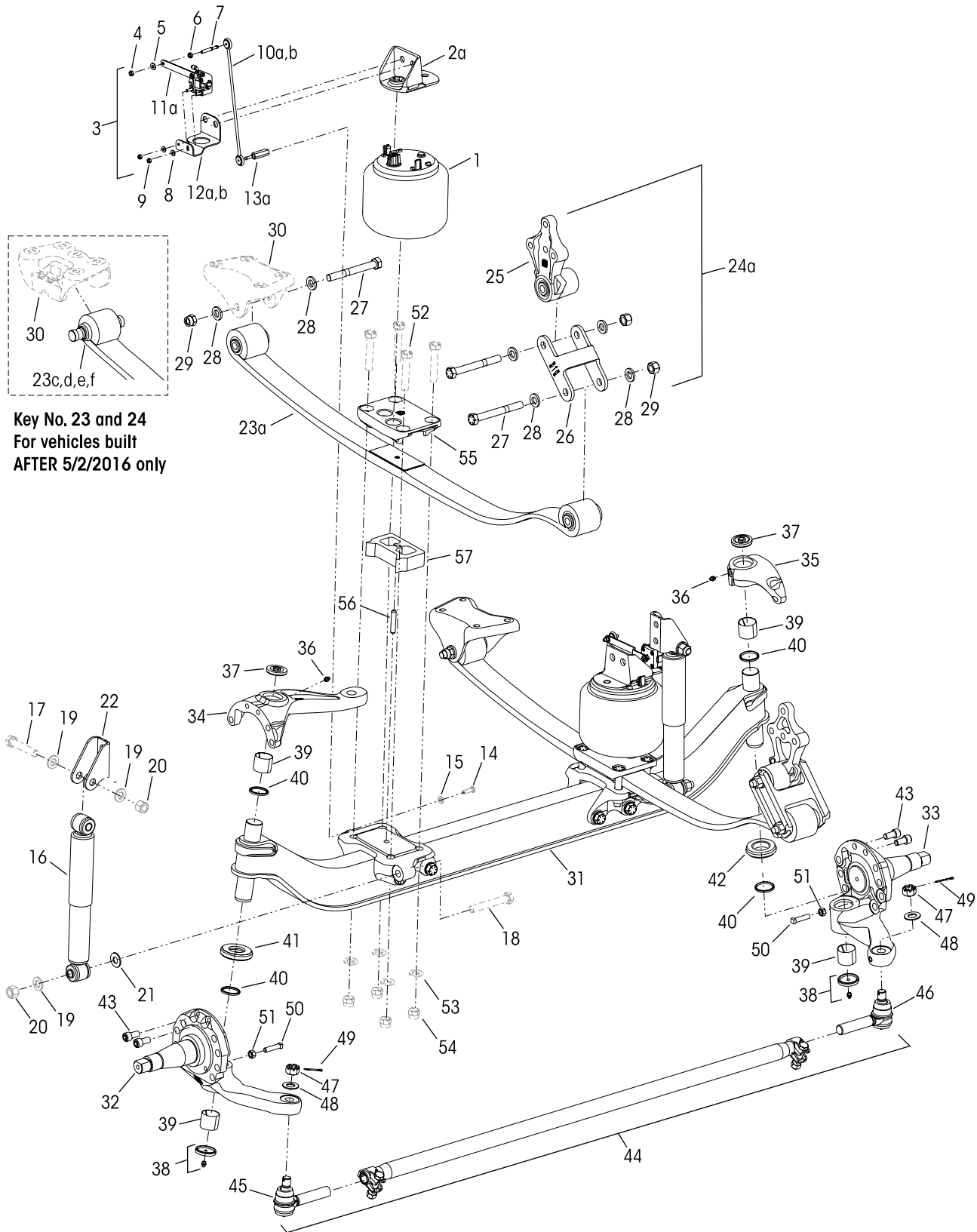
Hendrickson supplies different tie rod assemblies and each type may take a different replacement tie rod end kit to service. Prior to ordering find the part number on the tie rod tube, see Hendrickson Publication No. SEU-0223 or contact Hendrickson Truck Parts for corresponding kit numbers.



Cascadia and Coronado Models – Built after November 2011



PARTS LISTS



Key No. 23 and 24
For vehicles built
AFTER 5/2/2016 only

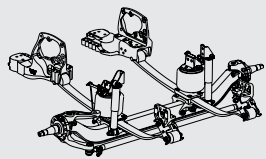


KEY NO.	PART NO.	DESCRIPTION	VEHICLE QTY.
1	69116-002L	Air Spring	2
2		Air Spring Bracket	
a	60850-001	Left Hand	1
b	60850-002	Right Hand	1
3		HCV & Linkage Assembly	1/1
	59427-019L	Left Hand, Includes Key Nos. 4-9, 10a, 11a 4.25" Drop, 315 mm Ride Height 5.36" Drop, 280 mm Ride Height	
	59427-027L	Left Hand, Includes Key Nos. 4-9, 10b, 11a 4.25" Drop, 355 mm Ride Height 5.36" Drop, 315 mm Ride Height	
	59427-034L	Right Hand, Includes Key Nos. 4-9, 10a, 11b 4.25" Drop, 315 mm Ride Height 5.36" Drop, 280 mm Ride Height	
	59427-036L	Right Hand, Includes Key Nos. 4-9, 10b, 11b 4.25" Drop, 355 mm Ride Height 5.36" Drop, 315 mm Ride Height	
4	59016-000	5/16" -18 UNC-2B Locknut	2
5	22962-029	5/16" Flat washer	2
6	17491-011	5/16" -18 UNC Nut	2
7	59169-000	5/16" Stud	2
8	22962-028	1/4" Flat Washer	4
9	49983-000	1/4"-20 UNC Locknut	4
10		Height Control Valve Linkage	2
a	59428-001	335 mm Length	
b	59428-002	370 mm Length	
11		Height Control Valve	
a	59935-013L	Left Hand	1
b	59935-024	Right Hand	1
12		Left Hand HCV Support Bracket	1
a	68675-002	Set Back	
b	68675-003	Set Forward	
13		Link Mount	
a	59429-001	Left Hand	1
b	59429-002	Right Hand	1
14		*3/8"-16 UNC x 1 1/4" Hex Bolt	2
15		*3/8" Flat Washer	2
16	58913-012L	Shock Absorber	2
17		*3/4"-10 UNC x 4" Upper Shock Bolt	2
18		*Lower Shock Bolt	2
19		*3/4" Hardened Washer	6
20		*3/4"-10 UNC Hex Locknut	4
21	22962-046	Shock Spacer	2
22	59423-001	Shock Bracket	2
		Leaf Spring and Shackle Bracket Assembly Conversion Kit for vehicles built between 5/10 and 5/2/16, See Page 121 for Kit Contents	
	60961-827	Left Hand, Includes Key Nos. 23a-24a	
	60961-828	Right Hand, Includes Key Nos. 23b-24b	
	60961-844	Left Hand, Includes Key Nos. 23c-24a	
	60961-845	Right Hand, Includes Key Nos. 23d-24b	
	60961-846	Left Hand, Includes Key Nos. 23e-24a	
	60961-847	Right Hand, Includes Key Nos. 23f-24b	
23		Leaf Spring Assembly for vehicles built after 5/2/16, Contact Hendrickson Tech Services	2
		• w/Front Eye Through Bolt Bushing	
a		Left Hand, Set Back, Replaces 59930-061	
b		Right Hand, Set Back, Replaces 59930-062	
		• w/Front Eye Bar Pin Bushing	
c		Left Hand, Set Back, Replaces 59930-057	
d		Right Hand, Set Back, Replaces 59930-058	
e		Left Hand, Set Forward, Replaces 59930-059	
f		Right Hand, Set Forward, Replaces 59930-060	
24		Single Shackle Bracket Assembly for vehicles built after 5/2/16, Contact Hendrickson Tech Services, Includes Key Nos. 25-29	2
a		Left Hand	
b		Right Hand	

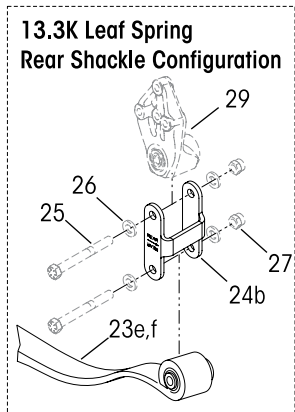
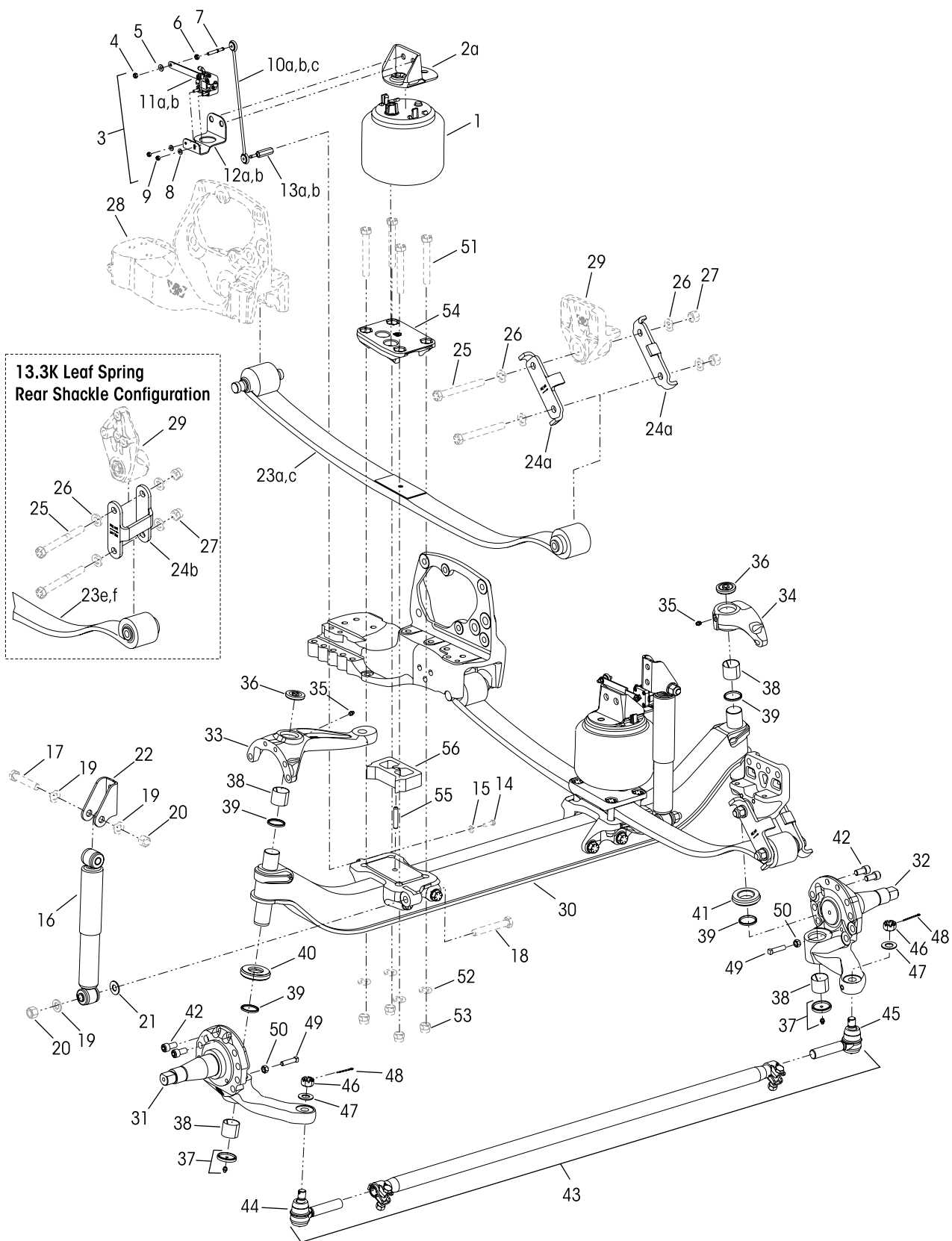
KEY NO.	PART NO.	DESCRIPTION	VEHICLE QTY.
25		**Shackle Bracket w/Bushing, Replaces 68127-001	2
26		**Shackle Plate, Replaces 67754-004	2
27	68893-001	3/4"-16 UNF x 6 1/2" Bolt	6
28	22962-044	3/4" Washer (thick washer)	12
29	68894-001	3/4"-16 UNF Nylon Locknut	6
30		*Freightliner Hanger, Left Hand / Right Hand	1/1
	68967-XXX	Axle Assembly, Includes Key Nos. 31-51, Contact Hendrickson Truck Parts for specific Part Number	1
31		Axle & Kingpin Assembly	1
	68966-001M	4.25" Drop	
	68966-002M	5.36" Drop	
32		Left Hand Lower Steering Knuckle Assembly	1
	58900-401	250 Ackermann	
	58900-403	200 Ackermann	
	58900-405	150 Ackermann	
33		Right Hand Lower Steering Knuckle Assembly	1
	58900-402	250 Ackermann	
	58900-404	200 Ackermann	
	58900-406	150 Ackermann	
34		Left Hand Upper Steering Knuckle Assembly, See Selection Guide on Page 116	1
35	60904-432	Right Hand Upper Steering Knuckle Assembly	1
		Kingpin Bushing and Bearing Service Kits	
	60961-628	Axle Set , Includes Kit Nos. 60961-629 & -630	
	60961-629	Left Hand w/Composite Thrust Bearing , Includes Key Nos. 36-41, 43, Loctite	
	60961-630	Right Hand w/Roller Thrust Bearing , Includes Key Nos. 36-40, 42-43, Loctite	
36	33117-000	Grease Zerk	2
37	68687-003	Grease Cap Assembly, Upper	2
38	68687-002	Grease Cap Assembly, Lower	2
39	58909-001	Kingpin Bushing	4
		Thrust Bearing Service Kits	
	60961-631	Axle Set , Includes Kit Nos. 60961-632 & -633	
	60961-632	Left Hand Composite Thrust Bearing , Includes Key Nos. 40-41, 43 & Loctite	
	60961-633	Right Hand Roller Thrust Bearing , Includes Key Nos. 40, 42-43 & Loctite	
40	68731-000	Kingpin Seal	4
41	59828-000	Left Hand Composite Thrust Bearing	1
42	64256-000L	Right Hand Roller Thrust Bearing	1
43	60236-001	5/8" Socket Head Cap Screw	4
Not Shown	60937-000	Loctite® (Red) Compound Tube	1
44		Tie Rod Assembly, Includes Key Nos. 45-47 See Selection Guide on Page 117	1
	60961-XXX	Tie Rod End Service Kits , See Selection Guide on Page 117	
		Tie Rod End, See Selection Guide on Page 117	
45		Left Hand	1
46		Right Hand	1
47		**7/8" Castle Nut	2
48	22962-007	7/8" Flat Washer	2
49	17800-004	Tie Rod Nut Cotter Pin	2
	60961-069	Stop Bolt Service Kit, One Side , Includes Key Nos. 50-51	
50	60238-001	1/2"-13 UNC Square Head Bolt	2
51	60240-000	1/2"-13 UNC Hex Jam Nut	2
52		*3/4"-16 UNF Hex Bolt	8
53		*3/4" Flat Washer	8
54		*3/4"-16 UNF Nylon Locknut	8
55	59826-000	Top Pad	2
56		Dowel Pin, 1/2" Diameter, See Selection Guide on Page 116	2
57		Front Axle Spacer, See Selection Guide on Page 116	2



4900 SA • 5700 Models – Built after November 2011



PARTS LISTS



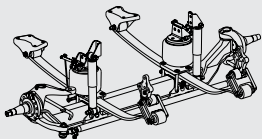


KEY NO.	PART NO.	DESCRIPTION	VEHICLE QTY.
1	69116-002L	Air Spring	2
2		Air Spring Bracket	
a	60850-001	Left Hand	1
b	60850-002	Right Hand	1
3		HCV & Linkage Assembly	1/1
		Left Hand, Set Back, Ride Height	
	59427-019L	315 mm, Includes Key Nos. 4-9, 10a, 11a	
	59427-027L	355 mm, Includes Key Nos. 4-9, 10b, 11a	
	59427-033	385 mm, Includes Key Nos. 4-9, 10c, 11a	
		Left Hand, Set Forward, Ride Height	
	59427-031	315 mm, Includes Key Nos. 4-9, 10a, 11b	
	59427-032	355 mm, Includes Key Nos. 4-9, 10b, 11b	
	59427-035L	385 mm, Includes Key Nos. 4-9, 10c, 11b	
		Right Hand, Ride Height	
	59427-034L	315 mm, Includes Key Nos. 4-9, 10a, 11c	
	59427-036L	355 mm, Includes Key Nos. 4-9, 10b, 11c	
	59427-038L	385 mm, Includes Key Nos. 4-9, 10c, 11c	
4	59016-000	5/16" -18 UNC-2B Locknut	2
5	22962-029	5/16" Flat washer	2
6	17491-011	5/16" -18 UNC Nut	2
7	59169-000	5/16" Stud	2
8	22962-028	1/4" Flat Washer	4
9	49983-000	1/4"-20 UNC Locknut	4
10		Height Control Valve Linkage	2
a	59428-001	315 mm Ride Height	
b	59428-002	355 mm Ride Height	
c	59428-009	385 mm Ride Height	
11		Height Control Valve	
		Left Hand	1
a	59935-013L	Set Back	
b	59935-023	Set Forward	
c	59935-024	Right Hand	1
12		Left Hand HCV Support Bracket	1
a	68675-002	Set Back	
b	68675-003	Set Forward	
13		Link Mount	
		Left Hand	1
a	59429-001	Set Back	
b	59429-002	Set Forward	
c	59429-002	Right Hand	1
14		*3/8"-16 UNC x 1 1/4" Hex Bolt	2
15		*3/8" Flat Washer	2
16	58913-012L	Shock Absorber	2
17		*3/4"-10 UNC x 4" Upper Shock Bolt	2
18		*Lower Shock Bolt	2
19		*3/4" Hardened Washer	6
20		*3/4"-10 UNC Hex Locknut	4
21	22962-046	Shock Spacer	2
22	59423-001	Shock Bracket	2
23		Leaf Spring Assembly, Includes Bushings	2
		12K, Set Back	
a	59930-055	Left Hand	
b	59930-056	Right Hand	
		12K, Set Forward	
c	59930-053	Left Hand	
d	59930-054	Right Hand	
		13.3K	
e	82430-000	Left Hand	
f	82440-000	Right Hand	
24		Shackle Plate	
a	68089-001	12K	4
b	75836-004	13.3K	2
25		*3/4"-10 UNC Shackle Bolt	4
26		*3/4" Washer	8

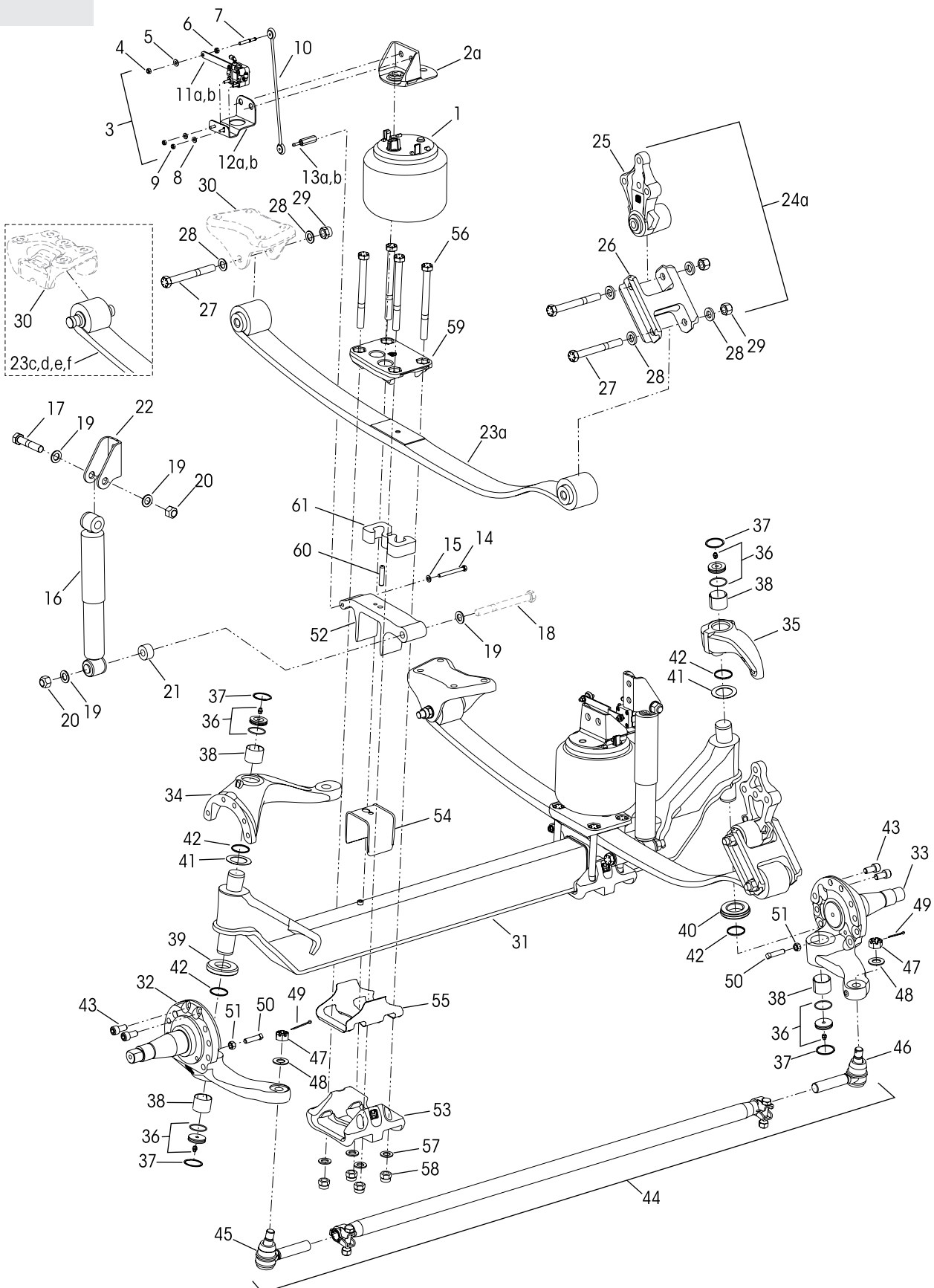
KEY NO.	PART NO.	DESCRIPTION	VEHICLE QTY.
27		*3/4"-10 UNC Nut	4
28		*Western Star Front Hanger, Left Hand / Right Hand	1/1
29		*Western Star Rear Hanger	2
	68967-XXX	Axle Assembly, Includes Key Nos. 30-50, Contact Hendrickson Truck Parts for specific Part Number	1
30		Axle & Kingpin Assembly	1
	68966-001M	12K	
	68966-005M	13.3K	
31		Left Hand Lower Steering Knuckle Assembly	1
	58900-401	250 Ackermann	
	58900-403	200 Ackermann	
	58900-405	150 Ackermann	
32		Right Hand Lower Steering Knuckle Assembly	1
	58900-402	250 Ackermann	
	58900-404	200 Ackermann	
	58900-406	150 Ackermann	
33		Left Hand Upper Steering Knuckle Assembly, See Selection Guide on Page 116	1
34	60904-432	Right Hand Upper Steering Knuckle Assembly	1
		Kingpin Bushing and Bearing Service Kits	
	60961-628	Axle Set , Includes Kit Nos. 60961-629 & -630	
	60961-629	Left Hand w/Composite Thrust Bearing , Includes Key Nos. 35-40, 42 & Loctite	
	60961-630	Right Hand w/Roller Thrust Bearing , Includes Key Nos. 35-39, 41-42 & Loctite	
35	33117-000	Grease Zerk	2
36	68687-003	Grease Cap Assembly, Upper	2
37	68687-002	Grease Cap Assembly, Lower	2
38	58909-001	Kingpin Bushing	4
		Thrust Bearing Service Kits	
	60961-631	Axle Set , Includes Kit Nos. 60961-632 & -633	
	60961-632	Left Hand Composite Thrust Bearing , Includes Key Nos. 39-40, 42 & Loctite	
	60961-633	Right Hand Roller Thrust Bearing , Includes Key Nos. 39, 41-42 & Loctite	
39	68731-000	Kingpin Seal	4
40	59828-000	Left Hand Composite Thrust Bearing	1
41	64256-000L	Right Hand Roller Thrust Bearing	1
42	60236-001	5/8" Socket Head Cap Screw	4
Not Shown	60937-000	Loctite® (Red) Compound Tube	1
43		Tie Rod Assembly, Includes Key Nos. 44-46, See Selection Guide on Page 117	1
	60961-XXX	Tie Rod End Service Kits , See Selection Guide on Page 117	
		Tie Rod End, See Selection Guide on Page 117	
44		Left Hand	1
45		Right Hand	1
46		**7/8" Castle Nut	2
47	22962-007	7/8" Flat Washer	2
48	17800-004	Tie Rod Nut Cotter Pin	2
	60961-069	Stop Bolt Service Kit, One Side , Includes Key Nos. 49-50	
49	60238-001	1/2"-13 UNC Square Head Bolt	2
50	60240-000	1/2"-13 UNC Hex Jam Nut	2
51		*3/4"-16 UNF Hex Bolt	8
52		*3/4" Flat Washer	8
53		*3/4"-16 UNF Nylon Locknut	8
54	59826-000	Top Pad	2
55		Dowel Pin, 1/2" Diameter, See Selection Guide on Page 116	2
56		Front Axle Spacer, See Selection Guide on Page 116	2



Built between May 2010 and November 2011



PARTS LISTS



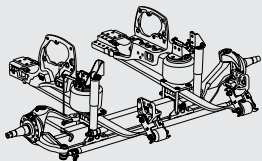


KEY NO.	PART NO.	DESCRIPTION	VEHICLE QTY.
1	69116-002L	Air Spring	2
2		Air Spring Bracket	
a	60850-001	Left Hand	1
b	60850-002	Right Hand	1
3		HCV & Linkage Assembly	
		Left Hand	1
	59427-019L	Set Back - Cascadia, Columbia, Century S/T, Includes Key Nos. 4-10,11a	
	59427-031	Set Forward - Coronado, Includes Key Nos. 4-10,11b	
	59427-005L	Right Hand, Includes Key Nos. 4-10,11c	1
4	59016-000	5/16"-18 UNC-2B Locknut	2
5	22962-029	5/16" Flat washer	2
6	17491-011	5/16"-18 UNC Nut	2
7	59169-000	5/16" Stud	2
8	22962-028	1/4" Flat Washer	4
9	49983-000	1/4"-20 UNC Locknut	4
10	59428-001	Height Control Valve Linkage	2
11		Height Control Valve	
		Left Hand	1
a	59935-013L	Set Back	
b	59935-023	Set Forward	
c	59935-002L	Right Hand	1
12		Left Hand HCV Support Bracket	1
a	68675-002	Set Back	
b	68675-003	Set Forward	
13		Link Mount	
		Left Hand	1
a	59429-001	Set Back	
b	59429-002	Set Forward	
c	59429-002	Right Hand	1
14	58035-006	3/8"-16 UNC x 3 1/2" Hex Bolt	2
15	22962-015	3/8" Flat Washer	2
16	58913-012L	Shock Absorber	2
17	50764-004	3/4"-10 UNC x 3 3/4" Upper Shock Bolt	2
18		*Lower Shock Bolt	2
19	22962-001	3/4" Hardened Washer	8
20	49842-000	3/4"-10 UNC Hex Locknut	4
21	59946-001	Shock Spacer	2
22	59423-001	Shock Bracket	2
		Leaf Spring and Shackle Bracket Assembly Conversion Kit for vehicles built between 5/10 and 5/21/16 , See Page 121 for Kit Contents	
	60961-827	Left Hand, Includes Key Nos. 23a-24a	
	60961-828	Right Hand, Includes Key Nos. 23b-24b	
	60961-844	Left Hand, Includes Key Nos. 23c-24a	
	60961-845	Right Hand, Includes Key Nos. 23d-24b	
	60961-846	Left Hand, Includes Key Nos. 23e-24a	
	60961-847	Right Hand, Includes Key Nos. 23f-24b	
23		Leaf Spring Assembly, <i>Contact Hendrickson Tech Services for Part Number</i>	2
		• w/Front Eye Through Bolt Bushing	
a		Left Hand, Set Back, <i>Replaces 59930-061</i>	
b		Right Hand, Set Back, <i>Replaces 59930-062</i>	
		• w/Front Eye Bar Pin Bushing	
c		Left Hand, Set Back, <i>Replaces 59930-057</i>	
d		Right Hand, Set Back, <i>Replaces 59930-058</i>	
e		Left Hand, Set Forward, <i>Replaces 59930-059</i>	
f		Right Hand, Set Forward, <i>Replaces 59930-060</i>	
24		Single Shackle Bracket Assembly, Includes Key Nos. 25-29, <i>Contact Hendrickson Tech Services for Part Number</i>	2
a		Left Hand	
b		Right Hand	
25		**Shackle Bracket w/Bushing, <i>Replaces 68127-001</i>	2
26		**Shackle Plate, <i>Replaces 67754-004</i>	2
27	68893-001	3/4"-16 UNF x 6 1/2" Bolt	6
28	22962-044	3/4" Washer (thick washer)	12
29	68894-001	3/4"-16 UNF Nylon Locknut	6
30		*Freightliner Hanger, Left Hand / Right Hand	1/1

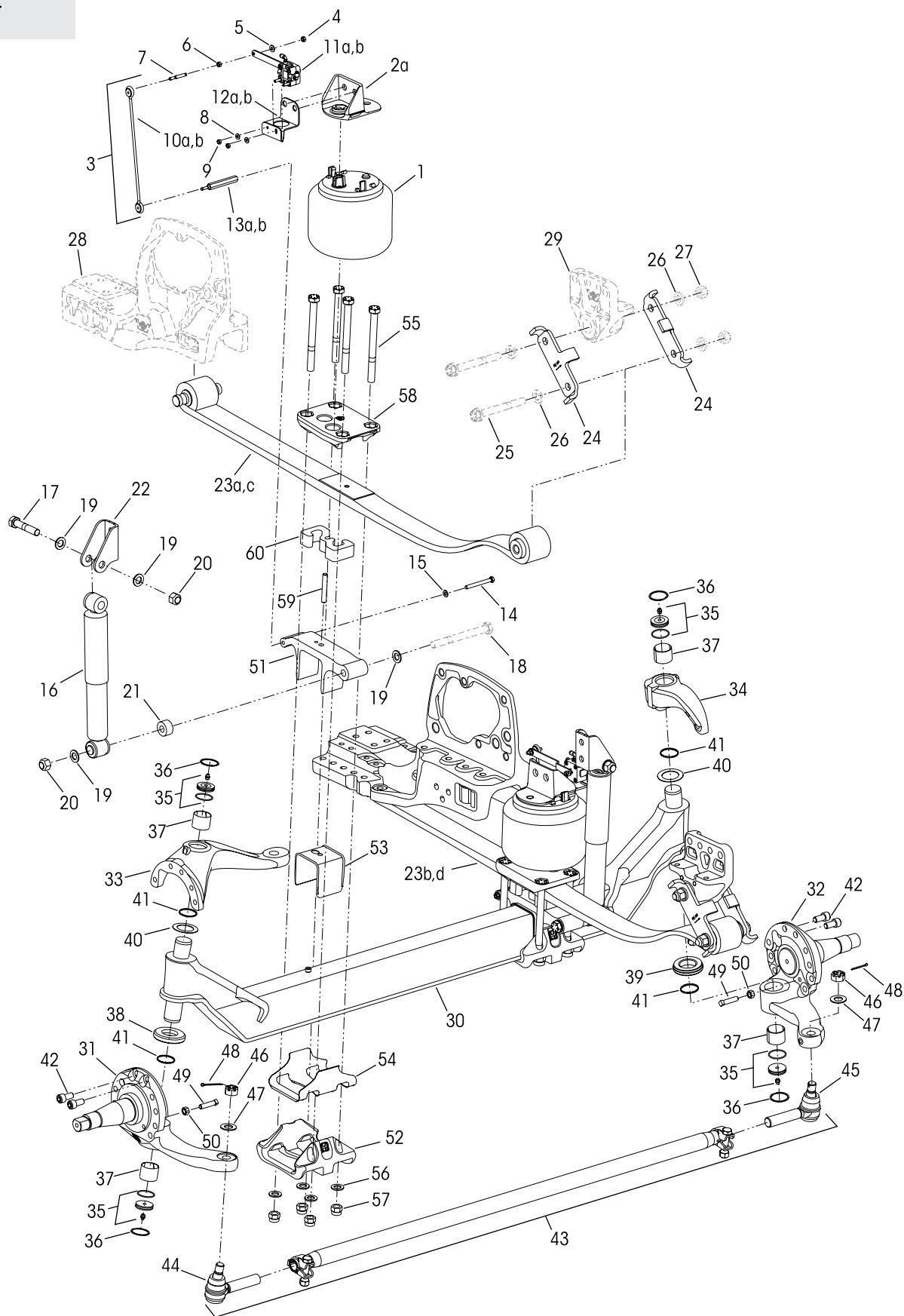
KEY NO.	PART NO.	DESCRIPTION	VEHICLE QTY.
	70952-XXX	Axle Assembly, Includes Key Nos. 31-55, <i>Contact Hendrickson Truck Parts for specific Part Number</i>	1
31		Axle & Kingpin Assembly	1
	64905-001	4.25" Drop	
	64905-003	5.36" Drop	
32		Left Hand Lower Steering Knuckle Assembly	1
	58900-001	250 Ackermann	
	58900-003	200 Ackermann	
	58900-005	150 Ackermann	
33		Right Hand Lower Steering Knuckle Assembly	1
	58900-002	250 Ackermann	
	58900-004	200 Ackermann	
	58900-006	150 Ackermann	
34		Left Hand Upper Steering Knuckle Assembly, <i>See Selection Guide on Page 116</i>	1
35	60904-032	Right Hand Upper Steering Knuckle Assembly	1
		Kingpin Bushing and Bearing Service Kits, Axle Set , Includes Kit Nos. 60961-009 & -039	
	60961-040	Left Hand w/Composite Thrust Bearing , Includes Key Nos. 36-39, 41-43, Loctite	
	60961-009	Right Hand w/Roller Thrust Bearing , Includes Key Nos. 36-38, 40-43 & Loctite	
36	59156-000	Grease Cap Assembly	4
37	58937-000	Retaining Ring	4
38	58909-000	Kingpin Bushing	4
		Thrust Bearing Service Kits	
	60961-043	Axle Set , Includes Kit Nos. 60961-041 & -042	
	60961-041	Left Hand Composite Thrust Bearing , Includes Key Nos. 39, 41-43 & Loctite	
	60961-042	Right Hand Roller Thrust Bearing , Includes Key Nos. 40-43 & Loctite	
39	59828-000	Left Hand Composite Thrust Bearing	1
40	64256-000L	Right Hand Roller Thrust Bearing	1
41		Kingpin Shim	As Req.
	60259-001X	0.005" Thickness (Pack of 4)	
	60259-002	0.047" Thickness	
42	58910-001	Kingpin Seal, <i>Replaces 58910-000</i>	4
43	60236-001	5/8" Socket Head Cap Screw	4
Not Shown	60937-000	Loctite® (Red) Compound Tube	1
44		Tie Rod Assembly, Includes Key Nos. 45-47, <i>See Selection Guide on Page 117</i>	1
	60961-XXX	Tie Rod End Service Kits , <i>See Selection Guide on Page 117</i>	
		Tie Rod End, <i>See Selection Guide on Page 117</i>	
45		Left Hand	1
46		Right Hand	1
47		**7/8" Castle Nut	2
48	22962-007	7/8" Flat Washer	2
49	17800-004	Tie Rod Nut Cotter Pin	2
	60961-069	Stop Bolt Service Kit, One Side , Includes Key Nos. 50-51	
50	60238-001	1/2"-13 UNC Square Head Bolt	2
51	60240-000	1/2"-13 UNC Hex Jam Nut	2
52		Top Wrap, <i>See Selection Guide on Page 116</i>	2
53	64722-001	Bottom Wrap	2
		Clamp Group Service Kit, One Side , Includes Key Nos. 54-58	
	60961-013	280 mm/315 mm Ride Height	
	60961-014	355 mm Ride Height	
54	59449-000	Top Axle Wrap Liner	2
55	59845-000	Bottom Axle Wrap Liner	2
56		3/4"-10 UNC Hex Bolt	8
	58917-016	8 1/2" Length, 280 mm/315 mm Ride Height	
	58917-017	10" Length, 355 mm Ride Height	
57	22962-001	3/4" Hardened Washer	8
58	17700-033	3/4"-10 UNC-2B Nylon Locknut	8
59	59826-000	Top Pad	2
60		Dowel Pin, 1/2" Diameter, <i>See Selection Guide on Page 116</i>	2
61		Front Axle Spacer, <i>See Selection Guide on Page 116</i>	2



Built between June 2010 and November 2011



PARTS LISTS





KEY NO.	PART NO.	DESCRIPTION	VEHICLE QTY.
1	69116-002L	Air Spring	2
2		Air Spring Bracket	
a	60850-001	Left Hand	1
b	60850-002	Right Hand	1
3		HCV & Linkage Assembly	1/1
		Left Hand, Set Back, Ride Height	
	59427-019L	7.31", 8.81", Includes Key Nos. 4-9, 10a, 11a	
	59427-027L	10.06", Includes Key Nos. 4-9, 10b, 11a	
		Left Hand, Set Forward, Ride Height	
	59427-031	7.31", 8.81", Includes Key Nos. 4-9, 10a, 11b	
	59427-032	10.06", Includes Key Nos. 4-9, 10b, 11b	
		Right Hand, Ride Height	
	59427-005L	7.31", 8.81", Includes Key Nos. 4-9, 10a, 11c	
	59427-009L	10.06", Includes Key Nos. 4-9, 10b, 11c	
4	59016-000	5/16" -18 UNC-2B Locknut	2
5	22962-029	5/16" Flat washer	2
6	17491-011	5/16" -18 UNC Nut	2
7	59169-000	5/16" Stud	2
8	22962-028	1/4" Flat Washer	4
9	49983-000	1/4"-20 UNC Locknut	4
10		Height Control Valve Linkage	2
a	59428-001	7.31", 8.81" Ride Height	
b	59428-002	10.06" Ride Height	
11		Height Control Valve	1/1
a	59935-013L	Left Hand Set Back	
b	59935-023	Left Hand Set Forward	
c	59935-002L	Right Hand	
12		Left Hand HCV Support Bracket	1
a	68675-002	Set Back	
b	68675-003	Set Forward	
13		Link Mount	1
a	59429-001	Left Hand Set Back	
b	59429-002	Left Hand Set Forward	
c	59429-002	Right Hand	1
14	58035-006	3/8"-16 UNC x 3 1/2" Hex Bolt	2
15	22962-015	3/8" Flat Washer	2
16	58913-012L	Shock Absorber	2
17	50764-004	3/4"-10 UNC x 3 3/4" Upper Shock Bolt	2
18		*Lower Shock Bolt	2
19	22962-001	3/4" Hardened Washer	8
20	49842-000	3/4"-10 UNC Hex Locknut	4
21	59946-001	Shock Spacer	2
22	59423-001	Shock Bracket	2
23		Leaf Spring Assembly, Includes Bushings	2
		Set Back	
a	59930-055	Left Hand	
b	59930-056	Right Hand	
		Set Forward	
c	59930-053	Left Hand	
d	59930-054	Right Hand	
24	68089-001	Shackle Plate	4
25		*3/4"-10 UNC Shackle Bolt	4
26		*3/4" Washer	8
27		*3/4"-10 UNC Nut	4
28		*Western Star Front Hanger, Left Hand / Right Hand	1/1
29		*Western Star Rear Hanger	2
	70952-XXX	Axle Assembly, Includes Key Nos. 30-54, <i>Contact Hendrickson Truck Parts for specific Part Number</i>	1
30	64905-001	Axle & Kingpin Assembly, 12K, 70.9 KPI, 4.25 Drop	1
31		Left Hand Lower Steering Knuckle Assembly	1
	58900-001	250 Ackermann	
	58900-003	200 Ackermann	
	58900-005	150 Ackermann	

KEY NO.	PART NO.	DESCRIPTION	VEHICLE QTY.
32		Right Hand Lower Steering Knuckle Assembly	1
	58900-002	250 Ackermann	
	58900-004	200 Ackermann	
	58900-006	150 Ackermann	
33		Left Hand Upper Steering Knuckle Assembly, <i>Selection Guide on Page 116</i>	1
34	60904-032	Right Hand Upper Steering Knuckle Assembly	1
		Kingpin Bushing and Bearing Service Kits	
		Axle Set , Includes Kit Nos. 60961-009 &-039	
	60961-040	Left Hand w/Composite Thrust Bearing ,	
	60961-009	Includes Key Nos. 35-38, 40-42, Loctite	
	60961-039	Right Hand w/Roller Thrust Bearing ,	
		Includes Key Nos. 35-37, 39-42 & Loctite	
35	59156-000	Grease Cap Assembly	4
36	58937-000	Retaining Ring	4
37	58909-000	Kingpin Bushing	4
		Thrust Bearing Service Kits	
		Axle Set , Includes Kit Nos. 60961-041 &-042	
	60961-043	Left Hand Composite Thrust Bearing ,	
	60961-041	Includes Key Nos. 38, 40-42 & Loctite	
	60961-042	Right Hand Roller Thrust Bearing ,	
		Includes Key Nos. 39-42 & Loctite	
38	59828-000	Left Hand Composite Thrust Bearing	1
39	64256-000L	Right Hand Roller Thrust Bearing	1
40		Kingpin Shim	As Req.
	60259-001X	0.005" Thickness (Pack of 4)	
	60259-002	0.047" Thickness	
41	58910-001	Kingpin Seal, <i>Replaces 58910-000</i>	4
42	60236-001	5/8" Socket Head Cap Screw	4
Not Shown	60937-000	Loctite® (Red) Compound Tube	1
43		Tie Rod Assembly, Includes Key Nos. 44-46, <i>See Selection Guide on Page 117</i>	1
	60961-XXX	Tie Rod End Service Kits , <i>See Selection Guide on Page 117</i>	
		Tie Rod End, <i>See Selection Guide on Page 117</i>	
44		Left Hand	1
45		Right Hand	1
46		**7/8" Castle Nut	2
47	22962-007	7/8" Flat Washer	2
48	17800-004	Tie Rod Nut Cotter Pin	2
	60961-069	Stop Bolt Service Kit, One Side ,	
		Includes Key Nos. 49-50	
49	60238-001	1/2"-13 UNC Square Head Bolt	2
50	60240-000	1/2"-13 UNC Hex Jam Nut	2
51		Top Wrap, <i>See Selection Guide on Page 116</i>	2
52	64722-001	Bottom Wrap	2
		Clamp Group Service Kit, One Side ,	
		Includes Key Nos. 53-57	
	60961-013	7.31" Ride Height	
	60961-014	8.81" Ride Height	
	60961-019	10.06" Ride Height	
53	59449-000	Top Axle Wrap Liner	2
54	59845-000	Bottom Axle Wrap Liner	2
55		3/4"-10 UNC Hex Bolt	8
	58917-016	8 1/2" Length, 7.31" Ride Height	
	58917-017	10" Length, 8.81" Ride Height	
	58917-018	11 1/2" Length, 10.06" Ride Height	
56	22962-001	3/4" Flat Washer	8
57	17700-033	3/4"-10 UNC-2B Nylon Locknut	8
58	59826-000	Top Pad	2
59		Dowel Pin, 1/2" Diameter, <i>See Selection Guide on Page 116</i>	2
60		Front Axle Spacer, <i>See Selection Guide on Page 116</i>	2



Freightliner • Western Star Vehicles

■ STEERTEK NXT Upper Steering Knuckle • Dowel Pin • Front Axle Spacer Selection Guide

PARTS LISTS

STEERTEK NXT AXLE	Vehicle	Axle Drop	Ride Height	LH Upper Steering Knuckle Assembly Part Number	Dowel Pin Part Number	Front Axle Spacer Part Number	
	Vehicles built AFTER November 2011						
	Freightliner	Page 109		Key No. 30	Key No. 52	Key No. 53	
	Cascadia SET BACK	4.25"	315 mm	60903-435	57159-004	No Spacer	
			355 mm	60903-436	57159-005	69594-040	
		5.36"	280 mm	60903-434	57159-004	No Spacer	
			315 mm	60903-435	57159-005	69594-040	
	Coronado SET FORWARD	4.25"	315 mm	60903-438	57159-004	No Spacer	
			355 mm	60903-439	57159-005	69594-040	
	Western Star	Page 111		Key No. 31	Key No. 53	Key No. 54	
4900 SA SET BACK	4.25"	315 mm	60903-435	57159-004	No Spacer		
		355 mm	60903-436	57159-005	69594-040		
		385 mm	60903-436	57159-006	69594-070		
4900 SA SET FORWARD	4.25"	315 mm	60903-438	57159-004	No Spacer		
		355 mm	60903-439	57159-005	69594-040		
		385 mm	60903-439	57159-006	69594-070		

■ STEERTEK Upper Steering Knuckle • Top Wrap • Dowel Pin • Front Axle Spacer Selection Guide

STEERTEK AXLE	Vehicle	Axle Drop	Ride Height	LH Upper Steering Knuckle Assembly Part Number	Top Wrap Part Number	Dowel Pin Part Number	Front Axle Spacer Part Number	
	Vehicles built BETWEEN May 2010 and November 2011							
	Freightliner	Page 113		Key No. 32	Key No. 50	Key No. 58	Key No. 59	
	SET BACK	4.25"	315 mm/7.31"	60903-035	59952-021	57159-004	No Spacer	
			355 mm/8.81"	60903-036	59952-002	57159-005	60244-040	
		5.36"	280 mm	60903-034	59952-021	57159-004	No Spacer	
			315 mm	60903-035	59952-002	57159-005	69594-040	
	SET FORWARD	4.25"	315 mm/7.31"	60903-038	59952-021	57159-004	No Spacer	
			355 mm/8.81"	60903-039	59952-002	57159-005	60244-040	
	Vehicles built BETWEEN June 2010 and November 2011							
Western Star	Page 115		Key No. 31	Key No. 49	Key No. 57	Key No. 58		
SET BACK	4.25"	315 mm/7.31"	60903-035	59952-021	57159-004	No Spacer		
		355 mm/8.81"	60903-036	59952-002	57159-005	60244-040		
		385 mm/10.06"	60903-036	59952-002	57159-006	60244-070		
SET FORWARD	4.25"	315 mm/7.31"	60903-038	59952-021	57159-004	No Spacer		
		355 mm/8.81"	60903-039	59952-002	57159-005	60244-040		
		385 mm/10.06"	60903-039	59952-002	57159-006	60244-070		



Freightliner • Western Star Vehicles

■ Tie Rod Selection Guide

		Axle Model	Wheel Base	KPI	Tie Rod Assembly Part Number	Tie Rod End Part Number	Tie Rod End Service Kit No.		
STRAIGHT TIE RODS	1 1/8" Threads	Vehicles built AFTER November 2014							
		STEERTEK NXT 12K	150"	70.9	76877-001	70995-001 (LH) 70995-002 (RH)	60961-734 (Axle Set) 60961-736 (LH) 60961-741 (RH)		
			200"		76877-002				
			250"		76877-003				
		STEERTEK NXT 13.3K	150"	70.9	76879-001	76876-001 (LH) 76876-002 (RH)	60961-735 (Axle Set) 60961-742 (LH) 60961-743 (RH)		
			200"		76879-002				
			250"		76879-003				
		Vehicles built PRIOR TO November 2014							Tie Rod Assembly Replacement Part No.
		STEERTEK NXT STEERTEK	150"	70.9	60239-001	♦ Tie rod end kits are no longer available for these assembly numbers, requires complete tie rod assembly replacement.			76877-001
			200"		60239-002				76877-002
			250"		60239-003				76877-003
			150"	69	60239-004				76877-004
200"	60239-005		76877-005						
250"	60239-006		76877-006						
DROP TIE RODS	1 1/4" Threads	Vehicles built AFTER November 2014							
		STEERTEK NXT	150"/200"	70.9	76878-001	76875-001 (LH) 76875-002 (RH)	60961-737 (Axle Set) 60961-739 (LH) 60961-740 (RH)		
			250"		76878-002				
		Vehicles built PRIOR TO November 2014							Tie Rod Assembly Replacement Part No.
		STEERTEK NXT STEERTEK	150"/200"	70.9	66699-001	♦ Tie rod end kits are no longer available for these assembly numbers, requires complete tie rod assembly replacement.			76878-001
			250"		66699-002				76878-002
150"/200"	69		66699-003	76878-003					
NOTE: ♦ Hendrickson supplies various tie rod assemblies. Locate the tie rod assembly part number on the tie rod tube to help determine the tie rod end kit or complete tie rod assembly replacement needed for service as shown in this Tie Rod Selection Guide.									

PARTS LISTS

NOTES: * Not supplied by Hendrickson, used for reference only. Hendrickson is not responsible for components supplied by the vehicle manufacturer. For assistance with maintenance and rebuild instructions on these components see vehicle manufacturer.

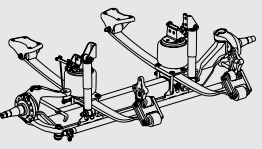
** Item included in kit/assembly only, part not sold separately.

*** All new replacement STEERTEK axles and upper steering knuckle components for Freightliner, Sterling and Western Star Vehicles will incorporate 5/8" fine threaded holes for brake spider mounting bolts. Vehicles built prior to 6/28/2004 that are receiving a replacement of the STEERTEK axle or upper knuckle will require — a change from coarse thread brake spider mounting bolts to fine thread brake spider mounting bolts. The brake spider mounting bolts are supplied separately by Freightliner, Sterling and Western Star, refer to vehicle manufacturer for bolt dimensions and torque specifications. Hendrickson will not be responsible for any damage to the STEERTEK upper knuckle components resulting from using the improper brake spider mounting bolts.

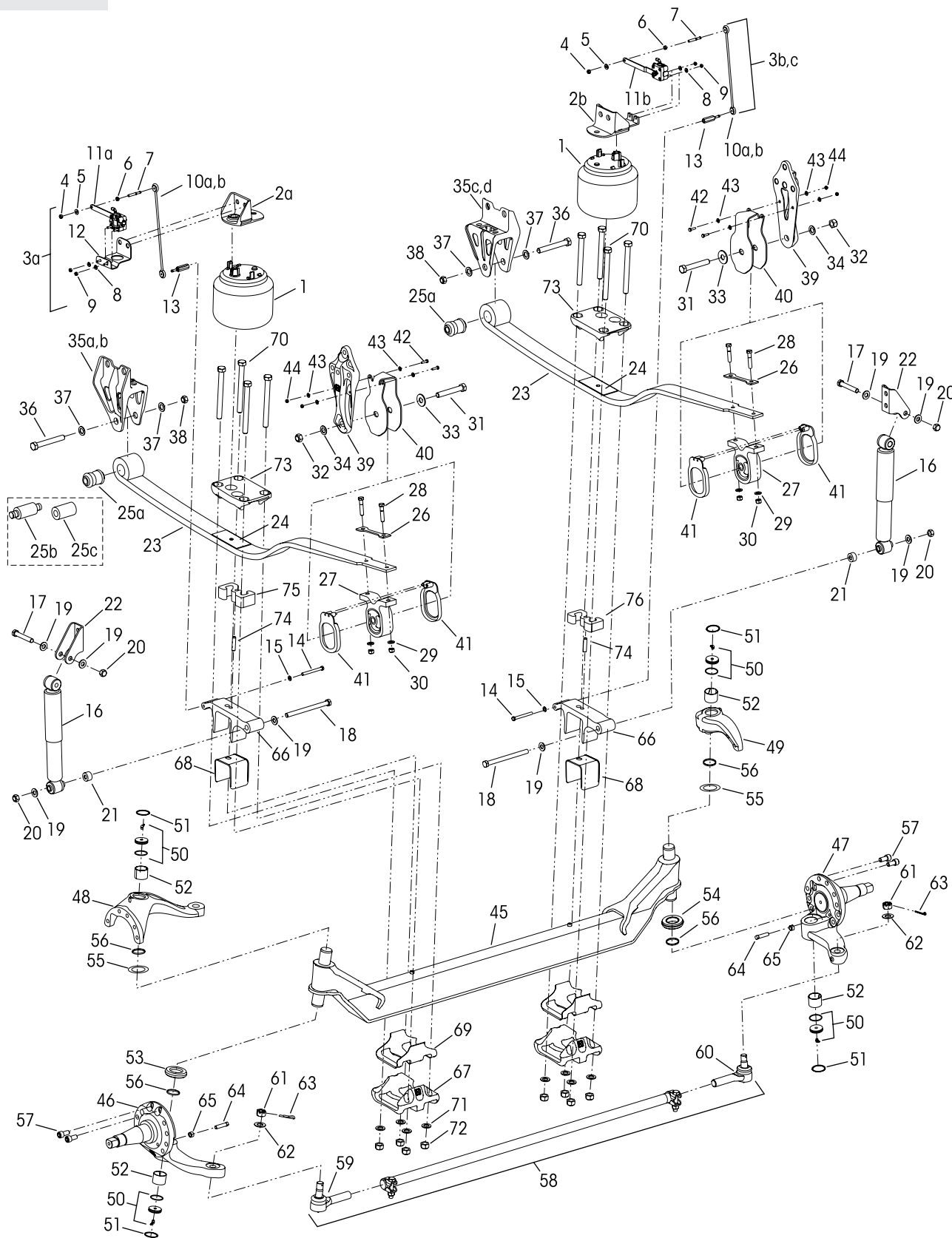
Hendrickson AIRTEK Ride Height Gauge for Freightliner and Western Star Vehicles Literature No. 45745-159 can be obtained on-line at www.hendrickson-intl.com/Litform



Freightliner prior to 5/10 • Western Star prior to 6/10 • Sterling prior to 4/09



PARTS LISTS





KEY NO.	PART NO.	DESCRIPTION	VEHICLE QTY.
1	69782-002	Air Spring, <i>Replaces 59823-002L</i>	2
2		Air Spring Bracket	
a	60850-001	Left Hand	1
b	60850-002	Right Hand	1
3		HCV & Linkage Assembly	
a	59427-019L	Left Hand • Vehicles equipped with dual HCVs, Includes Key Nos. 4-9, 10a, 11a • See Page 121 for vehicles equipped with a single HCV	1
b	59427-005L	Right Hand <i>Replaces 59427-001L</i> , Includes Key Nos. 4-9, 10a, 11b, Century Class S/T, Columbia 1350, Coronado, LC Sterling (Set Back), Western Star (Set Back/ Set Forward) 7.31"/8" Ride Height	1
c	59427-009L	<i>Replaces 59427-002</i> , Includes Key Nos. 4-9, 10b, 11b, Western Star (Set Back & Set Forward) 8.81"/10.06" Ride Height	1
4	59016-000	5/16" -18 UNC-2B Locknut	2
5	22962-029	5/16" Flat washer	2
6	17491-011	5/16" -18 UNC Nut	2
7	59169-000	5/16" Stud	2
8	22962-028	1/4" Flat Washer	4
9	49983-000	1/4"-20 UNC Locknut	4
10		Height Control Valve Linkage	2
a	59428-001	335 mm Length	
b	59428-002	370 mm Length	
11		Height Control Valve	
a	59935-013L	Left Hand	1
b	59935-002L	Right Hand	1
12		Left Hand HCV Support Bracket	1
	66256-000	• For vehicles equipped with dual HCVs 280 mm/315 mm, 355 mm Ride Height Columbia, Century Class S/T, LC Sterling (Set Back) EPA 98/04, Coronado EPA 98/04/07	
	67637-000	315 mm, 355 mm Ride Height Columbia, Century Class S/T, LC Sterling (Set Back), Cascadia EPA 07	
	60961-008	Link Mount Service Kit, Axle Set , Includes Key Nos. 13-15	
13	59429-001	Link Mount, <i>Replaces 59310-001</i>	2
14	58035-006	3/8"-16 UNC x 3 1/2" Hex Bolt	2
15	22962-015	3/8" Flat Washer	2
16	58913-003L	Shock Absorber	2
17	50764-004	3/4"-10 UNC x 3 3/4" Upper Shock Bolt	2
18	58917-015	3/4"-10 UNC x 7 1/2" Lower Shock Bolt, <i>Replaces 58917-009</i>	2
19	22962-001	3/4" Hardened Washer	8
20	49842-000	3/4"-10 UNC Hex Locknut	4
21	59946-001	Shock Spacer	2
22	59423-001	Shock Bracket	2
23		Leaf Spring Assembly, Includes Key Nos. 24-30, 41	2
a	59930-021	Century Class S/T, Columbia 1350, Western Star (Set Back), <i>Replaces 59930-001</i> Coronado	
b	59930-023	Left Hand, <i>Replaces 59930-003</i>	
c	59930-024	Right Hand, <i>Replaces 59930-004</i> LC Sterling (Set Back)	
d	59930-025	Left Hand	
e	59930-026	Right Hand Western Star (Set Forward)	
f	59930-027	Left Hand	
g	59930-028	Right Hand	
h	59930-029	Century, Cascadia Left Hand	
i	59930-030	Right Hand	
24	59937-001	Galvanized Liner	2

KEY NO.	PART NO.	DESCRIPTION	VEHICLE QTY.
25		Spring Eye Bushing	2
a		**Century Class S/T, Columbia, Western Star (Set Forward)	
b		**Coronado	
c		**LC Sterling (Set Back), Century, Cascadia	
	60961-616	Rear Spring Mount Service Kit, One Side , Includes Key Nos. 26-30	
26	58920-001	Spring End Plate, <i>Replaces 58920-000</i>	2
27	58918-000	Rear Spring Mount	2
28	30970-011	1/2"-20 UNF x 2 1/2" Hex Bolt, <i>Replaces 24531-004</i>	4
29	22962-014	1/2" Flat Washer	4
30	17700-034	1/2"-20 UNF Hex Nylock Nut, <i>Replaces 49846-000</i>	4
	60961-003	Rear Spring Eye Hardware Service Kit, One Side , Includes Key Nos. 31-34, 41	
31	50764-008	3/4"-10 UNC x 5" Hex Bolt	2
32	49842-000	3/4"-10 UNC Hex Locknut	2
33	22962-033	3/4" Washer (Large O.D.)	2
34	22962-001	3/4" Flat Washer	2
		Front Hanger Service Kits , Left Hand , Includes Key Nos. 35a-b, 36-38 Century Class S/T, Columbia, LC Sterling (Set Back)	
	60961-004	Century Class S/T 1350, Columbia 1350 Western Star (Set Back)	
	60961-005	Century Class S/T 1350, Columbia 1350	
	60961-017	Western Star (Set Back)	
	60961-006	Right Hand , Includes Key Nos. 35c-d, 36-38 Century Class S/T, Columbia	
	60961-007	Century Class S/T 1350, Columbia 1350	
	60961-018	Western Star (Set Back)	
35		Front Hanger	
		Left Hand	1
a	59832-001	Century Class S/T, Columbia, Western Star	
b	60573-001	Century Class S/T 1350, Columbia 1350 *LC Sterling (Set Back) *Western Star (Set Forward)	
		Right Hand	1
c	59832-002	Century Class S/T, Columbia, Western Star (Set Back)	
d	60573-002	Century Class S/T 1350, Columbia 1350	
36	50764-002	3/4"-10 UNC x 5 1/2" Hex Bolt	2
37	22962-001	3/4" Flat Washer	4
38	49842-000	3/4"-10 UNC Hex Locknut	2
39	59829-001	Rear Hanger, (Casting No. 59825-000), <i>Replaces 59829-000</i>	2
	60961-016	Rear Hanger Clamp Service Kit, One Side , Includes Key Nos. 33, 40-44	
40	59830-001	Rear Hanger Clamp, <i>Replaces 59830-000</i>	2
41	59346-001	Thrust Washer, <i>Replaces 59346-000</i>	4
42	56935-001	1/4"-20 UNC x 1 1/4" Hex Bolt	4
43	22962-028	1/4" Hardened Washer	8
44	49983-000	1/4"-20 UNC Locknut	4
	70952-XXX	Axle Assembly, Includes Key Nos. 45-69, Contact <i>Hendrickson Truck Parts for specific Part Number</i>	1
45		Axle & Kingpin Assembly, 12K	1
	64905-001	<i>Replaces 59924-001</i> - 4 1/4 Drop, 70.9 KPI Coronado, LC Sterling (Set Back) 315 mm/355 mm Ride Height Western Star (Set Back) 8.81"/10.06" Ride Height	
	64905-002	<i>Replaces 59924-002</i> - 4 1/4 Drop, 69 KPI Century Class S/T, Columbia, 315 mm/355 mm Ride Height Western Star (Set Forward) 8.81"/10.06" Ride Height	
	64905-004	<i>Replaces 59924-004</i> - 5.36" Drop, 69 KPI Century Class S/T, Columbia, 280 mm/315 mm Ride Height LC Sterling (Set Back) 280 mm Ride Height Western Star (Set Forward) 7.31" Ride Height	
46		Left Hand Lower Steering Knuckle Assembly	1
	58900-001	250 Ackermann	
	58900-003	200 Ackermann	
	58900-005	150 Ackermann	



Freightliner prior to 5/10 • Western Star prior to 6/10 • Sterling prior to 4/09

PARTS LISTS

KEY NO.	PART NO.	DESCRIPTION	VEHICLE QTY.
47		Right Hand Lower Steering Knuckle Assembly	1
	58900-002	250 Ackermann	
	58900-004	200 Ackermann	
	58900-006	150 Ackermann	
48		***Left Hand Upper Steering Knuckle Assembly	1
	60903-031	Replaces 60903-001, 5.36" Drop, 69 KPI, Century Class S/T, Columbia, 280 mm Ride Ht. Western Star (Set Forward), 7.31" Ride Height LC Sterling (Set Back), 280 mm Ride Height	
	60903-032	Replaces 60903-002, 4.25"/ 5.36" Drop, 69 KPI, Century Class S/T, Columbia, 315 mm Ride Ht. Western Star (Set Forward), 8.81" Ride Height LC Sterling (Set Back), 315 mm Ride Height	
	60903-033	***Left Hand Upper Steering Knuckle Assembly	1
	60903-033	Replaces 60903-003, 4.25" Drop, 69 KPI, Century Class S/T, Columbia, 355 mm Ride Ht. Western Star (Set Forward), 10.06" Ride Height LC Sterling (Set Back), 355 mm Ride Height	
	60903-035	Replaces 60903-005, 4.25" Drop, 70.9 KPI, Western Star (Set Back), 8.81" Ride Height LC Sterling (Set Back), 315 mm Ride Height	
	60903-036	Replaces 60903-006, 4.25" Drop, 70.9 KPI, Western Star (Set Back), 10.06" Ride Height LC Sterling (Set Back), 355 mm Ride Height	
	60903-038L	Replaces 60903-008, 4.25"/ 5.36" Drop, 70.9 KPI, Coronado, 315 mm Ride Height	
	60903-039	Replaces 60903-009, 4.25" Drop, 70.9 KPI, Coronado, 355 mm Ride Height	
49	60903-002	***Right Hand Upper Steering Knuckle Assembly	1
		Kingpin Bushing and Bearing Service Kits	
	60961-040	Axle Set , Includes Kit Nos. 60961-009 & -039	
	60961-009	Left Hand w/Composite Thrust Bearing , Includes Key Nos. 50-53, 55-57, Loctite	
	60961-039	Right Hand w/Roller Thrust Bearing , Includes Key Nos. 50-52, 54-57 & Loctite	
50	59156-000	Grease Cap Assembly	4
51	58937-000	Retaining Ring	4
52	58909-000	Kingpin Bushing	4
		Thrust Bearing Service Kits	
	60961-043	Axle Set , Includes Kit Nos. 60961-041 & -042	
	60961-041	Left Hand Composite Thrust Bearing , Includes Key Nos. 53, 55-57 & Loctite	
	60961-042	Right Hand Roller Thrust Bearing , Includes Key Nos. 54-57 & Loctite	
53	59828-000	Left Hand Composite Thrust Bearing,	1
54	64256-000L	Right Hand Roller Thrust Bearing	1
55		Kingpin Shim	As Req.
	60259-001X	0.005" Thickness (Pack of 4)	
	60259-002	0.047" Thickness	
56	58910-001	Kingpin Seal, <i>Replaces 58910-000</i>	4
57	60236-001	5/8" Socket Head Cap Screw	4
Not Shown	60937-000	Loctite® (Red) Compound Tube	1
58		Tie Rod Assembly, Includes Key Nos. 59-61	1
		<i>See Selection Guide on Page 117</i>	
	60961-XXX	Tie Rod End Service Kits , <i>See Selection Guide on Page 117</i>	
		Tie Rod End, <i>See Selection Guide on Page 117</i>	
59		Left Hand	1
60		Right Hand	1
61		**7/8" Castile Nut	2
62	22962-007	7/8" Flat Washer	2
63	17800-004	Tie Rod Nut Cotter Pin	2
	60961-069	Stop Bolt Service Kit, One Side , Includes Key Nos. 64-65	
64	60238-001	1/2"-13 UNC Square Head Bolt	2
65	60240-000	1/2"-13 UNC Hex Jam Nut	2
66		Top Wrap	2
	59952-001	Century Class S/T, Columbia, LC Sterling (Set Back), 4.25" Drop, 315 mm Ride Height 5.36" Drop, 280 mm Ride Height Coronado, 5.36" Drop, 280 mm/315 mm Ride Height	

KEY NO.	PART NO.	DESCRIPTION	VEHICLE QTY.
	59952-002	Century Class S/T, Columbia, Coronado 4.25" Drop, 355 mm Ride Height 5.36" Drop, 315 mm Ride Height LC Sterling (Set Back) 4.25" Drop, 355 mm Ride Height	
	59952-007	Western Star (Set Back), 4.25" Drop, 8.81", 10.06" Ride Height Western Star (Set Forward), 4.25" Drop, 10.06" Ride Height	
	59952-016	Western Star (Set Forward), 4.25" Drop, 8.81" Ride Height 5.36" Drop, 7.31" Ride Height	
67	64722-001	Bottom Wrap, <i>Replaces 59440-001</i>	2
		Clamp Group Service Kit, One Side , Includes Key Nos. 68-72	
	60961-013	Century Class S/T, Columbia 280 mm/315 mm Ride Height	
	60961-014	Century Class S/T, Columbia 355 mm Ride Ht. Western Star 8.81" Ride Height	
	60961-019	Western Star 10.06" Ride Height	
68	59449-000	Top Axle Wrap Liner	2
69	59845-000	Bottom Axle Wrap Liner	2
70		3/4"-10 UNC Hex Bolt	8
	58917-016	8 1/2" Length - Century Class S/T, Columbia	
	58917-017	10" Length - Western Star 8.81" Ride Height	
	58917-018	11 1/2" Length - Western Star 10.06" Ride Height	
71	22962-001	3/4" Flat Washer	8
72	17700-033	3/4"-10 UNC-2B Nylock Nut	8
73	59826-000	Top Pad	2
74		Dowel Pin, 1/2" Diameter	2
	57159-004	Century Class S/T, Columbia, Coronado, LC Sterling (Set Back), 280 mm/315 mm Ride Height	
	57159-005	Century Class S/T, Columbia, Coronado, LC Sterling (Set Back), 5.36" Drop, 355 mm and 315 mm Ride Height Western Star (Set Back & Set Forward), 8.81" Ride Height, 4.25" Drop,	
	57159-006	Western Star (Set Back & Set Forward) 10.06" Ride Height, 4.25" Drop	
	57159-012	Western Star (Set Forward) 7.31" Ride Height, 5.36" Drop	
75		Left Hand Front Axle Spacer	1
	60244-010	280 mm/315 mm Ride Height - 10 mm	
	60244-030	280 mm/315 mm Ride Height - 30 mm	
		• For vehicles equipped with dual HCVs, Century Class S/T, Columbia, LC Sterling (Set Back) EPA 98/04, Coronado, Classic XL (Set Forward) EPA 98/04/07 - 35 mm	
	60244-045	Century Class S/T, Columbia, LC Sterling (Set Back), 355 mm Ride Height, 4.25" Drop - 45 mm 315 mm Ride Height, 5.36" Drop - 45 mm Western Star (Set Back & Set Forward) 8.81" Ride Height, 4.25" Drop - 45 mm	
	60244-080	Western Star (Set Back & Set Forward) 10.06" Ride Height, 4.25" Drop - 80 mm	
76		Right Hand Front Axle Spacer	1
	60244-020	Western Star (Set Forward) 7.31" Ride Height, 5.36" Drop - 20 mm	
	60244-035	Century Class S/T, Columbia, LC Sterling (Set Back) 355 mm Ride Height, 4.25" Drop - 35 mm 315 mm Ride Height, 5.36" Drop - 35 mm Western Star (Set Back & Set Forward) 8.81" Ride Height, 4.25" Drop - 35 mm	
	60244-070	Western Star (Set Back & Set Forward) 10.06" Ride Height, 4.25" Drop - 70 mm	



■ Selection Guides

SINGLE TO DUAL HEIGHT CONTROL VALVE CONVERSION KITS

Kit No.	Vehicle	EPA	Ride Height																										
58525-029	• Columbia • Century Class S/T • LC Sterling (Set back)	98/04	280 mm/ 315 mm		<p style="text-align: center;">Service Kit Content</p> <table border="1"> <thead> <tr> <th>NO.</th> <th>DESCRIPTION</th> <th>QTY.</th> </tr> </thead> <tbody> <tr> <td>1</td> <td>Left Hand HCV, & Linkage Assembly, Includes Fasteners</td> <td>1</td> </tr> <tr> <td>2</td> <td>Upper Air Spring Bracket</td> <td>1</td> </tr> <tr> <td>3</td> <td>*Left Hand HCV Support Bracket</td> <td>1</td> </tr> <tr> <td>4</td> <td>Link Mount</td> <td>1</td> </tr> <tr> <td>5</td> <td>*Left Hand Front Axle Spacer</td> <td>1</td> </tr> <tr> <td>6</td> <td>3/8"-16 UNC x 3 1/2" Bolt</td> <td>1</td> </tr> <tr> <td>7</td> <td>3/8" Hardened Washer</td> <td>1</td> </tr> </tbody> </table> <p>* May not be included in all kits</p>	NO.	DESCRIPTION	QTY.	1	Left Hand HCV, & Linkage Assembly, Includes Fasteners	1	2	Upper Air Spring Bracket	1	3	*Left Hand HCV Support Bracket	1	4	Link Mount	1	5	*Left Hand Front Axle Spacer	1	6	3/8"-16 UNC x 3 1/2" Bolt	1	7	3/8" Hardened Washer	1
	NO.	DESCRIPTION	QTY.																										
1	Left Hand HCV, & Linkage Assembly, Includes Fasteners	1																											
2	Upper Air Spring Bracket	1																											
3	*Left Hand HCV Support Bracket	1																											
4	Link Mount	1																											
5	*Left Hand Front Axle Spacer	1																											
6	3/8"-16 UNC x 3 1/2" Bolt	1																											
7	3/8" Hardened Washer	1																											
58525-031	• Columbia • Century Class S/T • LC Sterling (Set back)	98/04	355 mm																										
	• Coronado	98/04/07																											
58525-033	• Classic XL (Set Forward)	98/04/07	355 mm																										
58525-034	• Columbia • Century Class S/T • LC Sterling (Set back) • Cascadia	07	355 mm																										
58525-036	• Classic XL (Set Forward)	98/04/07	315 mm																										
58525-037	• Columbia • Century Class S/T • LC Sterling (Set back) • Cascadia	07	315 mm																										

NOTE: The recommendation of the vehicle manufacturer is that dual height control valves are only to be installed on the front suspension when the rear suspension is equipped with a single height control valve system. This arrangement is best suited to keep the vehicle level versus having dual height control systems on both the front and rear suspensions.

LEAF SPRING AND SHACKLE BRACKET ASSEMBLY CONVERSION KITS

Vehicles built PRIOR TO May 2, 2016

Service Kit Nos.

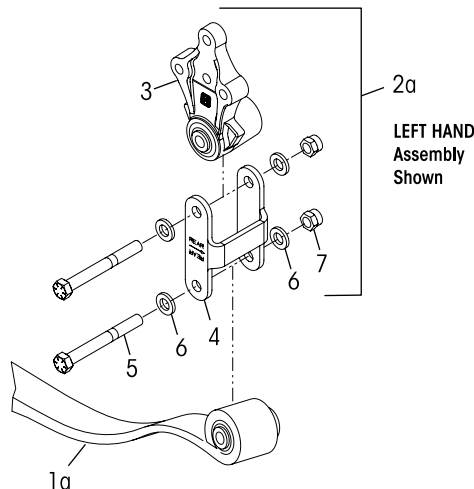
60961-827 • 60961-828

60961-844 • 60961-845

60961-846 • 60961-847

Reference Lit. No. 59310-065

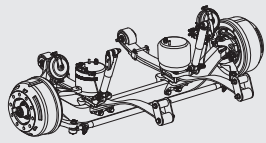
Leaf Spring and Shackle Bracket Assembly Conversion Kits



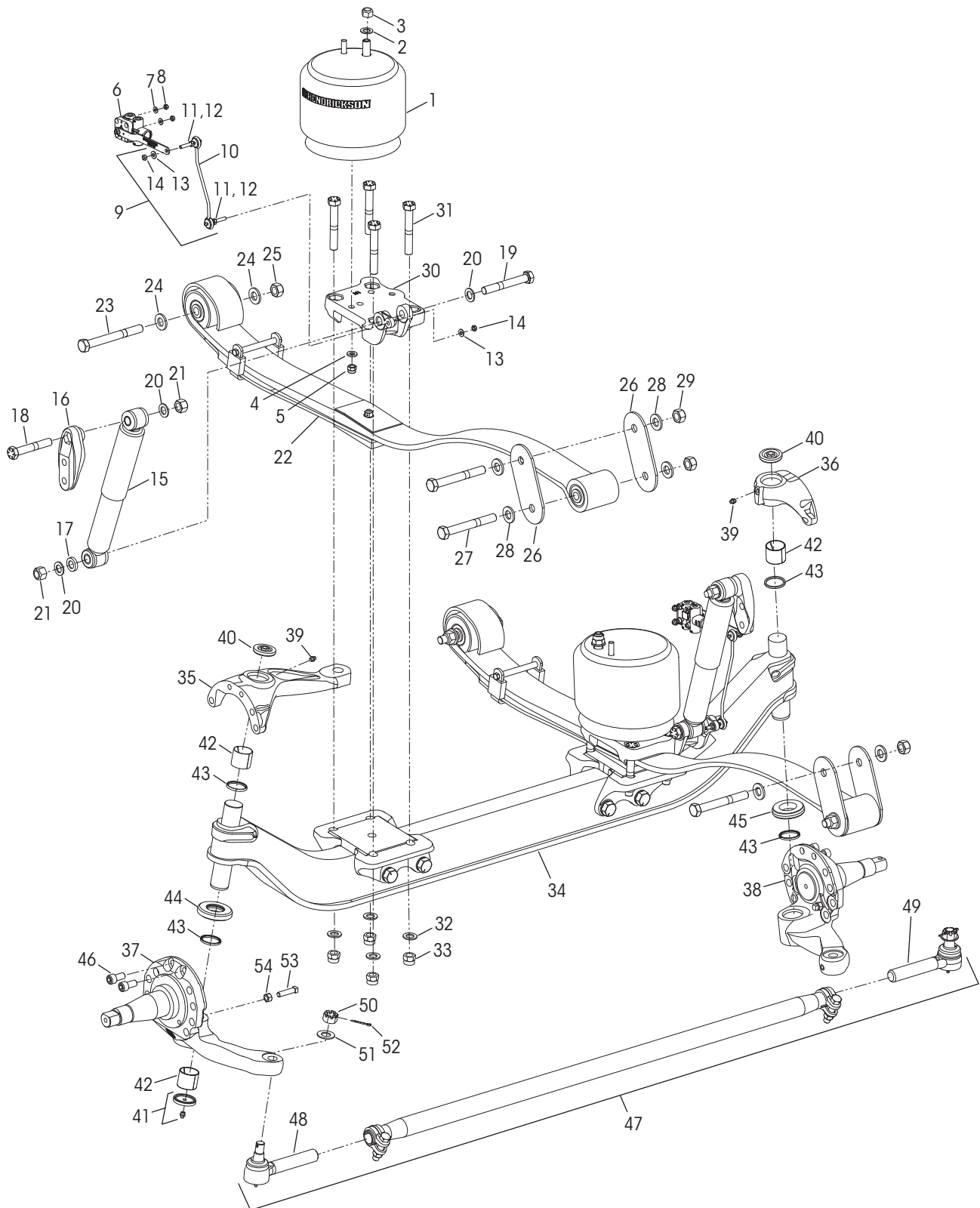
KEY NO.	PART NO.	DESCRIPTION	QTY.
		Leaf Spring and Shackle Bracket Assembly Conversion Kit for vehicles built prior to 5/2/16	
	60961-827	Left Hand, Includes Key Nos. 1a-2a	
	60961-828	Right Hand, Includes Key Nos. 1b-2b	
	60961-844	Left Hand, Includes Key Nos. 1c-2a	
	60961-845	Right Hand, Includes Key Nos. 1d-2b	
	60961-846	Left Hand, Includes Key Nos. 1e-2a	
	60961-847	Right Hand, Includes Key Nos. 1f-2b	
1		Leaf Spring Assembly equipped with:	2
		• Front Eye Through Bolt Bushing	
	a	Left Hand, Set Back, <i>Replaces 59930-061</i>	
	b	Right Hand, Set Back, <i>Replaces 59930-062</i>	
		• Front Eye Bar Pin Bushing	
	c	Left Hand, Set Back, <i>Replaces 59930-057</i>	
	d	Right Hand, Set Back, <i>Replaces 59930-058</i>	
	e	Left Hand, Set Forward, <i>Replaces 59930-059</i>	
	f	Right Hand, Set Forward, <i>Replaces 59930-060</i>	
2		**Shackle Bracket Assembly, Includes Key Nos. 3-7, <i>Replaces 68274-001</i>	2
	a	Left Hand	
	b	Right Hand	
3		Shackle Bracket with Bushing Assembly, <i>Replaces 68127-001</i>	2
4		**Shackle Plate, <i>Replaces 67754-004</i>	2
5		**3/4"-16 UNF x 6 1/2" Bolt, <i>Replaces 50764-018</i>	2
6		**3/4" Washer (0.217" thick), <i>Replaces 22962-040</i>	4
7		**3/4"-16 UNF Nylock Nut, <i>Replaces 68596-000</i>	2



Equipped with Drum Brakes – T Series



PARTS LISTS





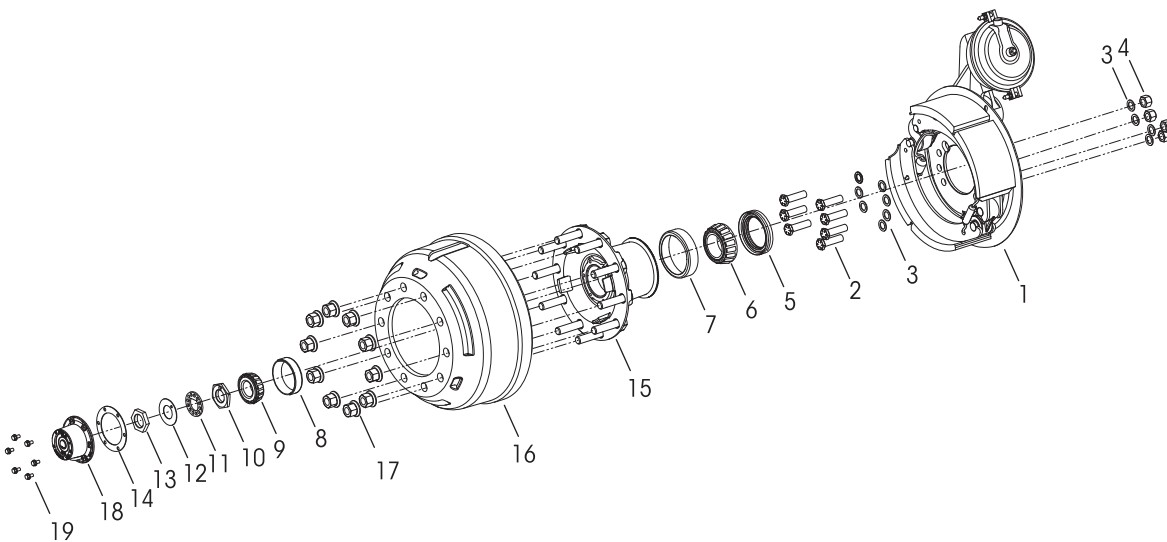
VEHICLE				VEHICLE			
KEY NO.	PART NO.	DESCRIPTION	QTY.	KEY NO.	PART NO.	DESCRIPTION	QTY.
1	66865-002L	Air Spring	2			Upper Steering Knuckle Assembly, Includes Key Nos. 39-40, 42-43	
	34013-310	Air Spring Fasteners Service Kit, One Side, Includes Key Nos. 2-5		35	60903-455	Left Hand	1
2		*3/4" Upper Flat Washer	2	36	60904-402	Right Hand	1
3		*3/4"-16 UNF Upper Nylocknut	2			Lower Steering Knuckle Assembly, Includes Key Nos. 41-43, 53-54	
4		*1/2" Lower Hardened Washer	2	37	58900-495	Left Hand	1
5		*1/2"-13 UNC Lower Nylocknut	2	38	58900-496	Right Hand	1
	59013-001	Height Control Valve Service Kit, One Side, Includes Key Nos. 6-8				Kingpin Bushing and Bearing Service Kits, Axle Set, Includes Kit Nos. 60961-629 & -630	
6		*Height Control Valve	2		60961-628	Left Hand with Composite Thrust Bearing Includes Key Nos. 39-44, 46, Loctite	
7		*1/4" Hardened Washer	4		60961-629	Right Hand with Roller Thrust Bearing Includes Key Nos. 39-43, 45-46, Loctite	
8		*1/4"-20 UNC Locknut	4	39	33117-000	Grease Zerk	2
9	66825-002	HCV Linkage Assembly, One Side, Includes Key Nos. 10-14	2	40	68687-003	Upper Grease Cap Assembly	2
10		*Linkage Assembly	2	41	68687-002	Lower Grease Cap Assembly	2
11		*5/8"-18 UNC Stud	4	42	58909-001	Kingpin Bushing	4
12		*5/8"-18 UNC Locknut	4			Thrust Bearing Service Kits, Axle Set, Includes Kit Nos. 60961-632 & -633	
13		*5/8" Hardened Washer	4		60961-631	Left Hand Composite Thrust Bearing, Includes Key Nos. 43-44, 46 & Loctite	
14		*5/8"-18 UNC Nut	4		60961-632	Right Foster Roller Thrust Bearing, Includes Key Nos. 43, 45-46 & Loctite	
15	58913-011L	Shock Absorber	2	43	68731-000	Kingpin Seal	4
16	67463-002	Shock Absorber Bracket	2	44	59828-000	Left Hand Composite Thrust Bearing	1
17	59946-006	Shock Absorber Spacer	2	45	64256-000L	Right Hand Roller Thrust Bearing	1
18	50764-019	3/4"-10 UNC x 4 1/2" Bolt	2	46	60236-001	5/8" Socket Head Cap Screw	4
19	58917-003	3/4"-10 UNC x 5 1/2" Bolt	2	Not Shown	60937-000	Loctite® (Red) Compound Tube	1
20	22962-001	3/4" Flat Washer	6	47	76879-001	Tie Rod Assembly, Includes Key Nos. 48-50	1
21	49842-000	3/4"-10 UNC Locknut	4			Tie Rod End Service Kits, Axle Set, Includes Kits Nos. 60961-742 & -743	
22	53487-000	Leaf Spring Assembly with Bushings	2		60961-735	Left Hand, Includes Key Nos. 48, 51-52	
23	58258-018	M20 x 2.5 x 180 mm Bolt	2		60961-742	Right Hand, Includes Key Nos. 49, 51-52	
24	58246-004	M20 Washer	4		60961-743	Tie Rod End, Includes Key No. 50	
25	58259-000	M20 x 2.5 Locknut	2	48	76876-001	Left Hand	1
26	64314-000	Shackle Plate	4	49	76876-002	Right Hand	1
27	58258-008	M20 x 2.5 x 160 mm Bolt	4	50		*7/8" Castle Nut	2
28	58246-004	M20 Washer	8	51	22962-007	7/8" Flat Washer	2
29	58259-000	M20 x 2.5 Locknut	4	52	17800-004	Tie Rod Nut Cotter Pin	2
30		Top Pad			60961-069	Stop Bolt Service Kit, One Side, Includes Key Nos. 53-54	
	66814-001	Left Hand	1	53		*1/2"-13 UNC Square Head Bolt	2
	66814-002	Right Hand	1	54		*1/2"-13 UNC Hex Jam Nut	2
	34013-297	Top Pad Fasteners Service Kit, One Side, Includes Key Nos. 31-33					
31		*3/4"-16 UNF x 5" Bolt	8				
32		*3/4" Flat Washer	8				
33		*3/4"-16 UNF Nylocknut	8				
	80374-001	Axle Assembly, Includes Key Nos. 34-54	1				
34	68986-002M	STEERTEK NXT Axle & Kingpin Assembly	1				

NOTE: * Item included in kit/assembly only, part not sold separately.



Equipped with Drum Brakes – T Series

PARTS LISTS



KEY NO.	PART NO.	DESCRIPTION	VEHICLE QTY.
1		*Meritor Drum Brake Assembly, Ø 16.5" x 5" Left Hand Part No. QP4-1655-1599 Right Hand Part No. QP4-1655-1600	1 1
2	80135-002	¾"-10 UNC x 2¾" Hex Bolt	14
3	22962-012	¾" Hardened Washer	22
4	49842-000	¾"-10 UNC Locknut	8
5		*Federal Mogul Wheel Seal Kit No. M380001TX0	2
		*Timken Inner Bearing One Side, Set No. 413, Includes Key Nos. 6-7	
6		Inner Bearing Cone	2
7		Inner Bearing Cup	2
		*Timken Outer Bearing One Side Set No. 406, Includes Key Nos. 8-9	
8		Outer Bearing Cup	2
9		Outer Bearing Cone	2

KEY NO.	PART NO.	DESCRIPTION	VEHICLE QTY.
10		*Meritor 1½"-12 UNF Inner Wheel Bearing Adj. Nut Part No. 1227-U-541	2
11		*Meritor ¾" Wheel End Lock Ring Part No. 1229-G-475	2
12		*Meritor 0.05" Wheel End Lock Washer Part No. 1229-F-474	2
13		*Meritor Wheel End Outer Nut No. 1227-B-106	2
14		*Stemco Hubcap Gasket Part No. 330-3024	2
15		*Webb Hub Part No. 25201-3T	2
16		*Webb Drum Part No. 65163B	2
17		*Webb M22 x 1.5 Lug Nut Part No. 179935	20
18		*Stemco Hubcap Assembly - 6", Kit No. 343-4346	2
19	64545-002	¾"-18 UNC x ¾" Hex Bolt with Retainer Washer (Hubcap Bolts)	12

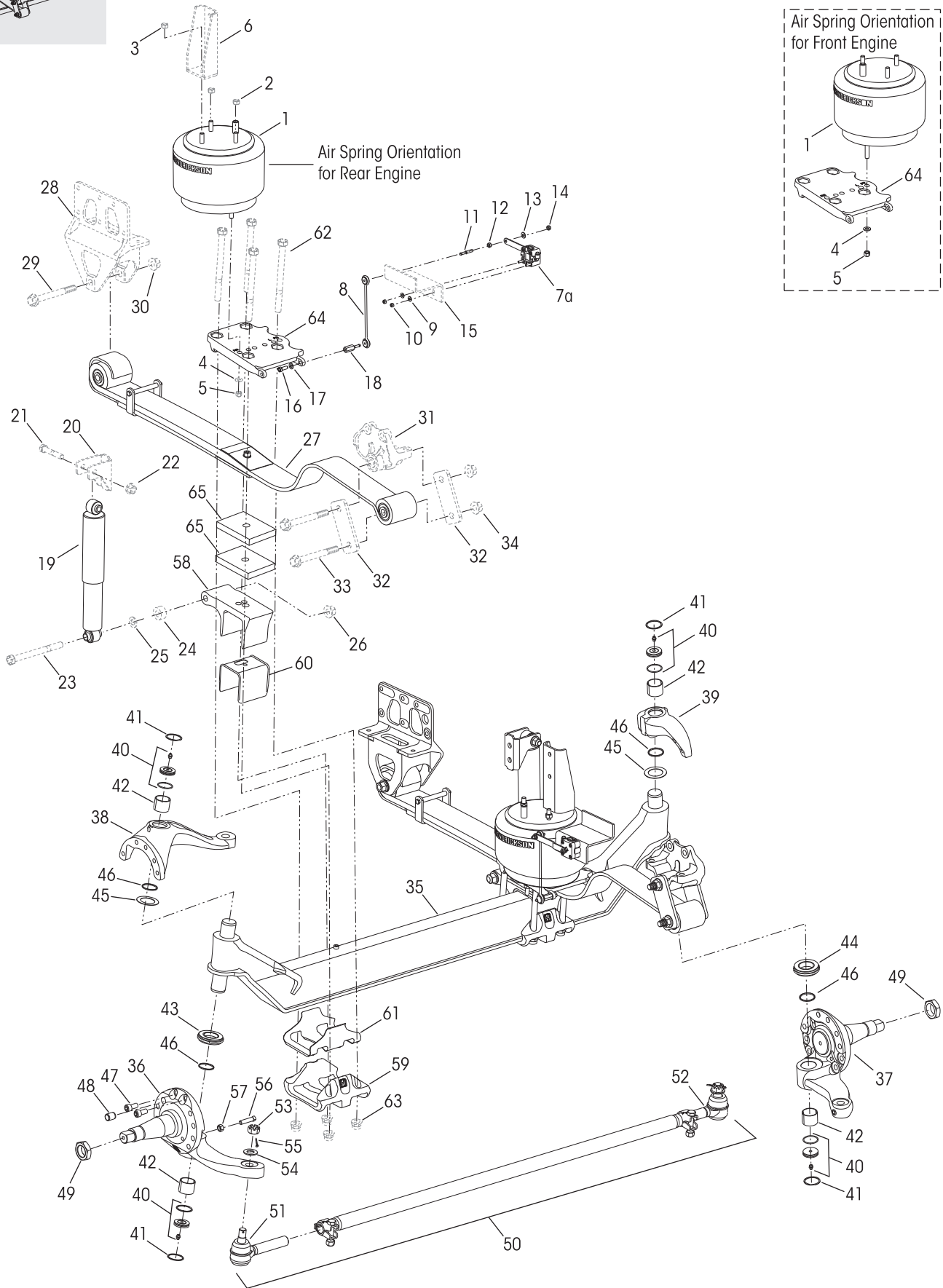
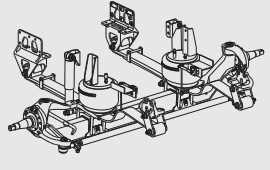
NOTES: * Not supplied by Hendrickson for aftermarket service purposes. Description and part number listed for reference only. For more information and assistance with service, maintenance and rebuild instructions on these components see below component manufacturers:

- Federal Mogul technical and parts support 800.325.8886 or online at www.fme-cat.com
- Meritor technical and parts support 888.725.9355 or online, parts (www.meritorpartsexpress.com), technical support (www.meritorbullpen.com)
- Stemco technical and part support 800.527.8492 or go to www.stemco.com
- Timken at technical and part support 866.984.6536 or online at www.timken.com/resources or Timken YouTube series, Timken Tricks of the Trade (Installing a Timken® Set-Right® Bearing)
- Webb technical and part support 800.633.3256 or online at www.webbwheel.com





PARTS LISTS





VEHICLE				VEHICLE			
KEY NO.	PART NO.	DESCRIPTION	QTY.	KEY NO.	PART NO.	DESCRIPTION	QTY.
1	67568-002	Air Spring Assembly	2			Kingpin Bushing and Bearing Service Kits,	
2		*1/2"-13 UNC Upper Air Spring Locknut	4	60961-040		Axle Set, Includes Kit Nos. 60961-009 & -039	
3		*3/4"-16 UNF Upper Air Spring Locknut	2	60961-009		Left Hand with Composite Thrust Bearing,	
4		*1/2" Lower Air Spring Washer	2			Includes Key Nos. 40-43, 45-47 & Loctite	
5		*1/2"-13 UNC Lower Air Spring Locknut	2	60961-039		Right Hand with Roller Thrust Bearing,	
6		*Air Spring Bracket	2			Includes Key Nos. 40-42, 44-47 & Loctite	
		HCV & Linkage Assembly		40	59156-000	Grease Cap Assembly	4
	59427-013L	Left Hand, Includes Key Nos. 7a, 8-14	1	41	58937-000	Retaining Ring	4
	59427-014L	Right Hand, Includes Key Nos. 7b, 8-14	1	42	58909-000	Kingpin Bushing	4
7		Height Control Valve				Thrust Bearing Service Kits,	
a	59935-011L	Left Hand	1	60961-043		Axle Set, Includes Kit Nos. 60961-041 & -042	
b	59935-018L	Right Hand	1	60961-041		Left Hand Composite Thrust Bearing,	
8	59428-004	Height Control Valve Linkage	2			Includes Key Nos. 43, 45-47 & Loctite	
9		**1/4" Washer	4	60961-042		Right Hand Roller Thrust Bearing,	
10		**1/4" Locknut	4			Includes Key Nos. 44-47 & Loctite	
11		**5/16" Stud	2	43	59828-000	Left Hand Composite Thrust Bearing	1
12		**5/16" Hex Locknut	2	44	64256-000L	Right Hand Roller Thrust Bearing	1
13		**5/16" Washer	2	45		Kingpin Shim	As Req.
14		**5/16" Locknut	2		60259-001X	0.005" Thickness (Pack of 4)	
15		*Height Control Valve Bracket	2		60259-002	0.047" Thickness	
16		3/8"-16 UNC x 1" Hex Head Bolt	2	46	58910-001	Kingpin Seal, <i>Replaces 58910-000</i>	4
17		3/8" Washer	2	47	60236-001	5/8"-11 UNC Socket Head Cap Screw	4
18		Link Mount		Not Shown	60937-000	Loctite (Red) Compound Tube	1
	59429-003	RE	2	48	64246-000	ABS Sensor Sleeve	2
	64742-002	FE Right Hand	1	49	64578-000	1 1/2"-12 UNF Spindle Locknut	2
	59429-003	FE Left Hand	1	50	64006-002	Tie Rod Assembly, Includes Key No. 51-53	1
19	65992-006	Shock Absorber, <i>Replaces 65992-001</i>	2			Tie Rod End Service Kits,	
20		*Shock Absorber Bracket	2	60961-010		Axle Set, Includes Kit Nos. 60961-027 & -028	
21		*M16 x 90 mm Upper Shock Bolt	2	60961-027		Left Hand, Includes Key Nos. 51, 53-55	
22		*M16 Upper Shock Flange Locknut	2	60961-028		Right Hand, Includes Key Nos. 53-55	
23		*3/4"-10 UNC x 8" Lower Shock Bolt	2			Tie Rod Ends	
24		*3/4" Shock Spacer	2	51	64002-001	Left Hand	1
25		*3/4" Lower Shock Washer	2	52	64002-002	Right Hand	1
26		*3/4"-10 UNC Lower Shock Flange Locknut	2	53		**7/8" Castle Nut	2
27	67420-000	Leaf Spring Assembly	2	54	22962-007	7/8" Flat Washer	2
28		*Front Hanger	2	55	17800-004	Tie Rod Nut Cotter Pin	2
29		*3/4"-16 UNF x 6 1/2" Flange Hex Head Bolt	2		60961-069	Stop Bolt Service Kit, One Side,	
30		*3/4"-16 UNF Flange Hex Locknut	2			Includes Key Nos. 56-57	
31		*Rear Hanger	2	56	60238-001	1/2"-13 UNC Square Head Bolt	2
32		*Shackle Bracket	4	57	60240-000	1/2"-13 UNC Hex Jam Locknut	2
33		*3/4"-16 UNF x 6 1/2" Flange Hex Head Bolt	4	58	59952-030	Top Axle Wrap	2
34		*3/4"-16 UNF Flange Hex Locknut	4	59	64722-003	Bottom Axle Wrap	2
		STEERTEK Axle Assembly, 200" Wheelbase	1		60961-015	Top/Bottom Axle Wrap Liner Service Kit,	
		Includes Key Nos. 35-63				One Side, Includes Key Nos. 60-61	
	70952-328	12K		60	60508-000	Top Axle Wrap Liner	2
	70952-318	14.6K		61	59845-000	Bottom Axle Wrap Liner	2
35	64905-005	Axle & Kingpin Assembly	1	62		*3/4"-16 UNF x 9" Hex bolt	8
		Lower Steering Knuckle Assembly		63		*3/4"-16 UNF Flange Locknut	8
36	58900-073	Left Hand	1	64	67719-000	Top Pad	2
37	58900-074	Right Hand	1	65	70105-010	***Spacer - 10 mm, <i>Replaces 64536-020,</i>	4
		Upper Steering Knuckle Assembly				<i>70105-020</i>	
38	60903-046	Left Hand	1				
39	60904-034	Right Hand	1				

NOTES: * Not supplied by Hendrickson, used for reference only. Hendrickson is not responsible for components supplied by the vehicle manufacturer. For assistance with maintenance and rebuild instructions on these components see vehicle manufacturer.

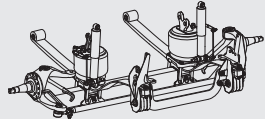
** Item included in kit/assembly only, part not sold separately.

*** Part Number 64536-020, 70105-020 with a 20 mm height is replaced with two (2) of 70105-010 with one 10 mm height spacer.

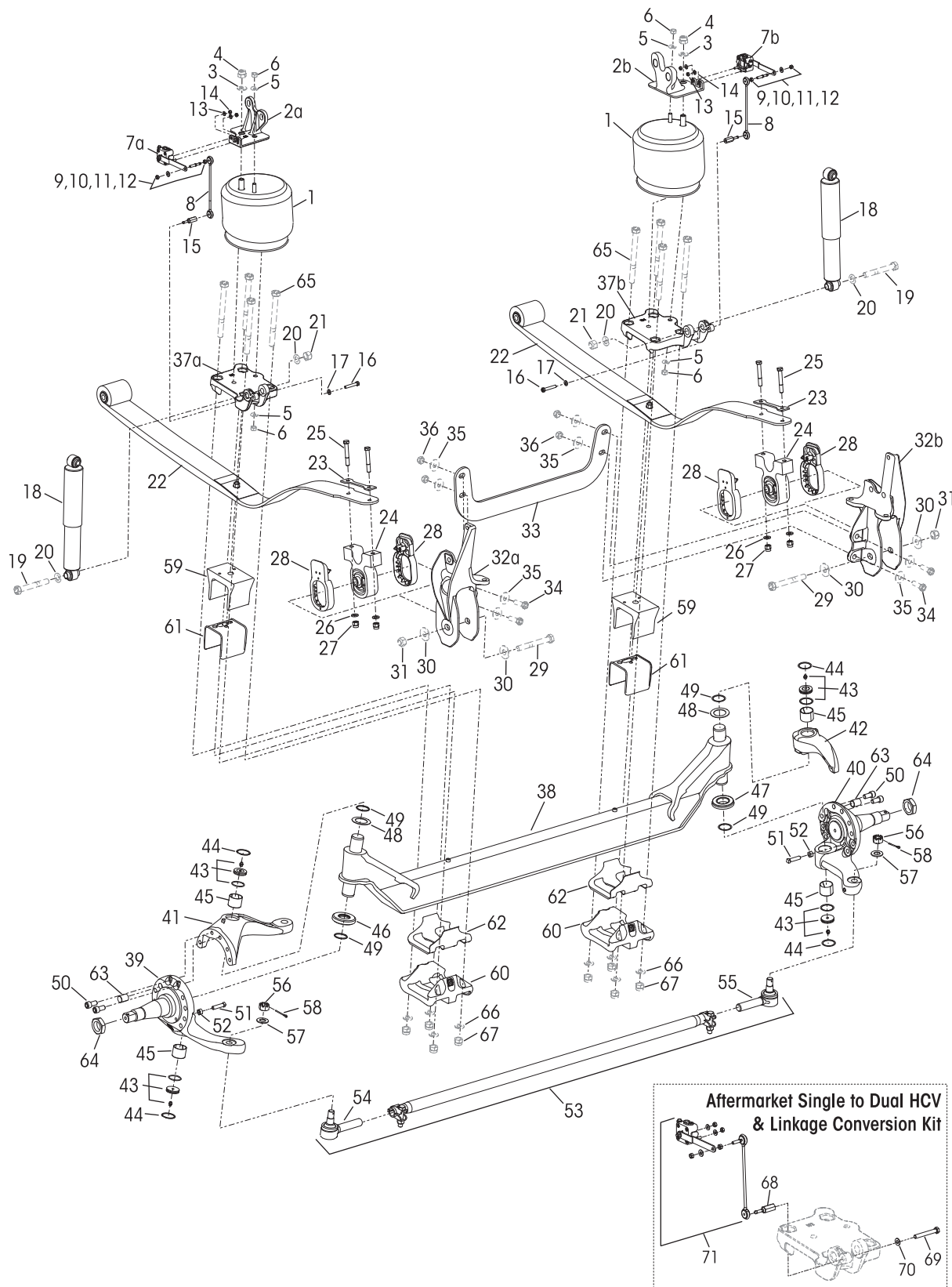


9200 • 9400 Models – New Engine Configuration (NEC)

Built between September 2006 and November 2010



PARTS LISTS





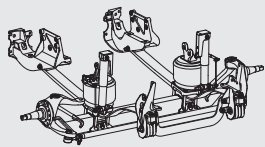
KEY NO.	PART NO.	DESCRIPTION	VEHICLE QTY.
1	65790-002L	Air Spring	2
2		Air Spring Bracket	
a	66775-000	Left Hand	1
b	66776-000	Right Hand	1
3		*3/4" Flat Washer	2
4		*3/4"-16 UNF Nylocknut	2
5		*1/2" Hardened Washer	4
6		*1/2"-13 UNC Nylocknut	4
		HCV & Linkage Assembly	
	59427-013L	Left Hand, Includes Key Nos. 7a-14	
	59427-014L	Right Hand, Includes Key Nos. 7b-14	
7		*****Height Control Valve	
a	59935-011L	Left Hand	1
b	59935-018L	Right Hand	1
8	59428-004	HCV Linkage	2
9	59169-000	5/16"-18 UNC Stud	2
10	17491-011	5/16"-18 UNC Nut	2
11	22962-029	5/16" Hardened Washer	2
12	59016-000	5/16"-18 UNC Locknut	2
13	22962-028	1/4" Hardened Washer	4
14	49983-000	1/4"-20 UNC Locknut	4
	60961-154	Lower Link Mount Service Kit, One Side, Includes Key Nos. 15-17	
15	59429-003	Lower Link Mount	2
16	58035-002	3/8"-16 UNC x 1.38" Hex Bolt	2
17	22962-015	3/8" Flat Washer	2
18		Shock Absorber	2
	65992-001L	Sleeper	
	65992-002L	Day Cab	
19		*3/4"-10 UNC x 5" Lower Shock Bolt	2
20		*3/4" Lower Shock Hardened Washer	4
21		*3/4"-10 UNC Lower Shock Hex Locknut	2
22	66420-000	Leaf Spring Assembly	2
		Includes Spring Eye Bushing	
	60961-158	Rear Spring Mount Service Kit, One Side, Includes Key Nos. 23-27	
23	58920-000	Spring End Plate	2
24		**Rear Spring Mount	2
25	30970-001	1/2"-20 UNF x 3 1/2" Bolt	4
26	22962-014	1/2" Hardened Washer	4
27	17700-034	1/2"-20 UNF Nylocknut	4
28	66779-000	Thrust Washer	4
29		*3/4"-10 UNC x 6 1/2" Hex Bolt	2
30		*3/4" Flat Washer	4
31		*3/4"-10 UNC Locknut	2
32		Rear Hanger	
a	66382-001	Left Hand	1
b	66382-002	Right Hand	1
33	66419-000	Belly Band	1
34		*5/8"-11 UNC x 2" Hex Bolt	4
35		*5/8" Hardened Washer - O.D. 1 3/4"	8
36		*5/8"-11 UNC Hex Locknut	4
37		Top Pad	
a	68318-001	Left Hand	1
b	68318-002	Right Hand	1
	70952-0XX	STEERTEK Axle Assembly, Includes Key Nos. 38-64, <i>Contact Hendrickson Truck Parts</i> <i>for part number</i>	1
38	64905-001	Axle & Kingpin Assembly	1
39		Left Hand Lower Steering Knuckle Assembly	
		Includes Key Nos. 45, 49, 63	
	58900-073	Above 200" Wheel Base	1
	58900-075	Below 200" Wheel Base	1

KEY NO.	PART NO.	DESCRIPTION	VEHICLE QTY.
40		Right Hand Lower Steering Knuckle Assembly	
		Includes Key Nos. 45, 49, 63	
	58900-074	Above 200" Wheel Base	1
	58900-076	Below 200" Wheel Base	1
		Upper Steering Knuckle Assembly	
		Includes Key Nos. 45, 49	
41	60903-041	Left Hand	1
42	60904-034	Right Hand	1
		Kingpin Bushing and Bearing Service Kits	
	60961-040	Axle Set, Includes Kit Nos. 60961-009 & -039	
	60961-009	Left Hand with Composite Thrust Bearing, Includes Key Nos. 43-46, 48-50, Loctite	
	60961-039	Right Hand with Roller Thrust Bearing, Includes Key Nos. 43-45, 47-50, Loctite	
43	59156-000	Grease Cap Assembly	4
44	58937-000	Retaining Ring	4
45	58909-000	Kingpin Bushing	4
		Thrust Bearing Service Kits	
	60961-043	Axle Set, Includes Kit Nos. 60961-041 & -042	
	60961-041	Left Hand Composite Thrust Bearing, Includes Key Nos. 46, 48-50 and Loctite	
	60961-042	Right Hand Roller Thrust Bearing, Includes Key Nos. 47-50 and Loctite	
46	59828-000	Left Hand Composite Thrust Bearing	1
47	64256-000L	Right Hand Roller Thrust Bearing	1
48		Kingpin Shim	As Req.
	60259-001X	0.005" Thickness (Pack of 4)	
	60259-002	0.047" Thickness	
49	58910-001	Kingpin Seal, <i>Replaces 58910-000</i>	4
50	60236-001	5/8"-11 UNC Socket Head Cap Screw	4
Not Shown	60937-000	Loctite® (Red) Compound Tube	1
	60961-069	Stop Bolt Service Kit, One Side, Includes Key Nos. 51-52	
51	60238-001	1/2"-13 UNC Square Head Bolt	2
52	60240-000	1/2"-13 UNC Hex Jam Nut	2
53		Tie Rod Assembly, Includes Key Nos. 54-56	1
		<i>See Selection Guide on Page 133</i>	
		Tie Rod End Service Kits, See Selection <i>Guide on Page 133</i>	
		Axle Set, Includes Left Hand & Right Hand Kits	
		Left Hand, Includes Key Nos. 54, 56-58	
		Right Hand, Includes Key Nos. 55-58	
		Tie Rod End, Includes Key No. 56, <i>See</i> <i>Selection Guide on Page 133</i>	
54		Left Hand	1
55		Right Hand	1
56		**7/8" Castle Nut	2
57	22962-007	7/8" Flat Washer	2
58	17800-004	Tie Rod Nut Cotter Pin	2
59	59952-023	Top Axle Wrap	2
60	64722-003	Bottom Axle Wrap	2
61	65757-000	Top Axle Wrap Liner	2
62	59845-000	Bottom Axle Wrap Liner	2
63	64246-000	ABS Sensor Sleeve	2
64	64578-000	1 1/2"-12 UNF Spindle Nut	2
65		*3/4"-10 UNC x 8 1/2" Hex Bolt	8
66		*3/4" Flat Washer	8
67		*3/4"-10 UNC-2B Nylocknut	8
	60961-155	Aftermarket Dual HCV & Linkage Conversion Kit Includes key Nos. 68-71	
68	59429-003	Lower Link Mount	1
69	58035-002	3/8"-16 UNC x 1 3/8" Hex Bolt	1
70	22962-015	3/8" Flat Washer	1
71	59427-013L	Left Hand HCV & Linkage Assembly	1

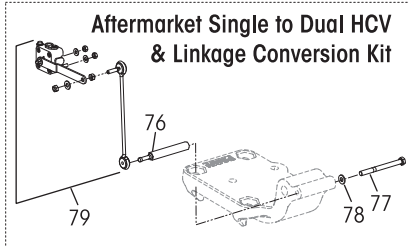
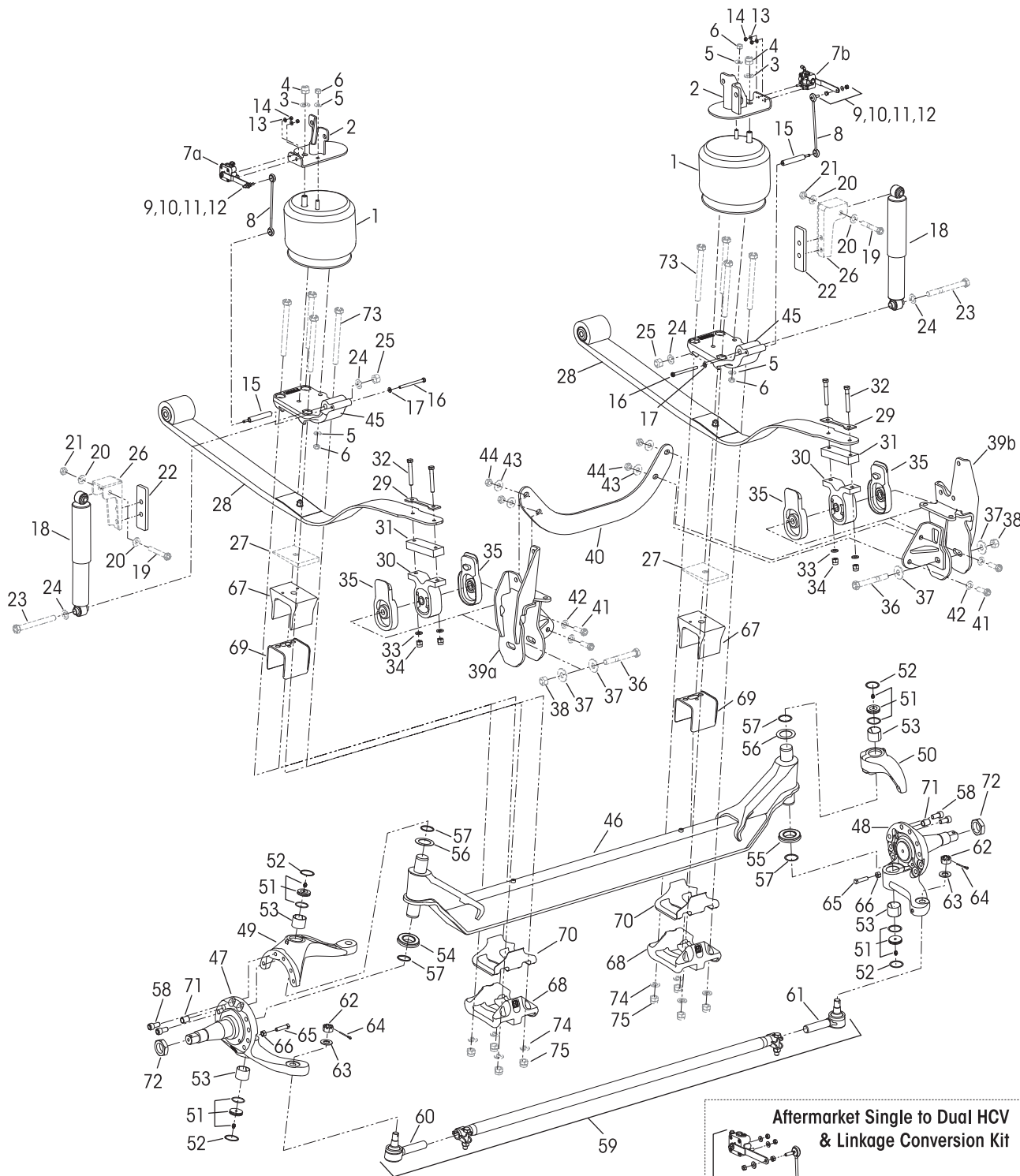


Prior to New Engine Configuration (PEC)

Built prior to September 2006



PARTS LISTS





KEY NO.	PART NO.	DESCRIPTION	VEHICLE QTY.
1	65790-002L	Air Spring	2
2		*****Air Spring Bracket, <i>See Replacement Guide on Page 132</i>	2
3		*¾" Flat Washer	2
4		*¾"-16 UNC Nylocknut	2
5		*½" Hardened Washer	2
6		*½"-13 UNC Nylocknut	2
		HCV & Linkage Assembly	
	59427-013L	Left Hand, If equipped, Includes Key Nos. 7a-14	1
	59427-014L	Right Hand, Includes Key Nos. 7b-14	1
7		*****Height Control Valve	
a	59935-011L	Left Hand, If equipped	1
b	59935-018L	Right Hand, <i>Replaces 59935-010</i>	1
8	59428-004	HCV Linkage	2
9	59169-000	⅝"-18 UNC Stud	2
10	17491-011	⅝"-18 UNC Nut	2
11	22962-029	⅝" Hardened Washer	2
12	59016-000	⅝"-18 UNC Locknut	2
13	22962-028	¼" Hardened Washer	4
14	49983-000	¼"-20 UNC Locknut	4
	60961-071	Lower Link Mount Service Kit, One Side, Includes Key Nos. 15-17	
15	59429-002	Lower Link Mount	2
16	58035-006	⅜"-16 UNC x 3½" Hex Bolt	2
17	22962-015	⅜" Flat Washer	2
18		Shock Absorber	2
	65992-001L	Sleeper	
	65992-002L	Day Cab	
19		*⅝"-11 UNC x 4" Upper Shock Bolt	2
20		*⅝" Upper Shock Washer	4
21		*⅝"-11 UNC Upper Shock Locknut	2
22	59946-001	Shock Spacer	2
23		*¾"-10 UNC x 8" Lower Shock Bolt	2
24		*¾" Lower Shock Hardened Washer	4
25		*¾"-10 UNC Lower Shock Hex Locknut	2
26		*Shock Bracket	2
27		*Caster Wedge	2
28		*****Leaf Spring Assembly with Bushing Replace 65771-000 with Kit No. 60961-134, <i>See Replacement Guide on Page 132</i>	2
	60961-109	Rear Spring Mount Service Kit (One Side) Includes Key Nos. 29-34	
29	58920-000	Spring End Plate	2
30	58918-000	Rear Spring Mount	2
31	65772-000	Rear Mount Spacer	2
32	30970-001	½"-20 UNF x 3½" Bolt	4
33	22962-014	½" Hardened Washer	4
34	17700-034	½"-20 UNF Nylocknut	4
35	65856-000	Thrust Washer	4
36		*¾"-10 UNC x 6" Hex Bolt	2
37		*¾" Flat Washer	4
38		*¾"-10 UNC Locknut	2
39		Rear Hanger	
a	68317-001	Left Hand	1
b	68317-002	Right Hand	1
40	66019-000	Belly Band (For Service Only)	1
41		*⅝"-11 UNC x 2" Hex Bolt	4
42		*⅝" Hardened Washer - O.D. 1.3"	4
43		*⅝" Hardened Washer - O.D. 1.75"	4
44		*⅝"-11 UNC Hex Locknut	4
45		*****Top Pad, <i>See Replacement Guide on Page 132</i>	2
	70952-0XX	STEERTEK Axle Assembly, Includes Key Nos. 46-72, Contact Hendrickson Truck Parts for part number	1
46	64905-001	Axle & Kingpin Assembly	1

KEY NO.	PART NO.	DESCRIPTION	VEHICLE QTY.
47		Left Hand Lower Steering Knuckle Assembly Includes Key Nos. 53, 57, 71	
	58900-071	250 Ackermann - Long Wheel Base	1
	58900-073	200 Ackermann - Short Wheel Base	
48		Right Hand Lower Steering Knuckle Assembly Includes Key Nos. 53, 57, 71	
	58900-072	250 Ackermann - Long Wheel Base	1
	58900-074	200 Ackermann - Short Wheel Base	
		Upper Steering Knuckle Assembly Includes Key Nos. 53, 57	
49	60903-041	Left Hand	1
50	60904-034	Right Hand	1
		Kingpin Bushing and Bearing Service Kits	
	60961-040	Axle Set, Includes Kit Nos. 60961-009 & -039	
	60961-009	Left Hand with Composite Thrust Bearing, Includes Key Nos. 51-54, 56-58, Loctite	
	60961-039	Right Hand with Roller Thrust Bearing, Includes Key Nos. 51-53, 55-58, Loctite	
51	59156-000	Grease Cap Assembly	4
52	58937-000	Retaining Ring	4
53	58909-000	Kingpin Bushing	4
		Thrust Bearing Service Kits	
	60961-043	Axle Set, Includes Kit Nos. 60961-041 & -042	
	60961-041	Left Hand Composite Thrust Bearing, Includes Key Nos. 54, 56-58 and Loctite	
	60961-042	Right Hand Roller Thrust Bearing, Includes Key Nos. 55-58 and Loctite	
54	59828-000	Left Hand Composite Thrust Bearing,	1
55	64256-000L	Right Hand Roller Thrust Bearing	1
56		Kingpin Shim	As Req.
	60259-001X	0.005" Thickness (Pack of 4)	
	60259-002	0.047" Thickness	
57	58910-001	Kingpin Seal, <i>Replaces 58910-000</i>	4
58	60236-001	⅝"-11 UNC Socket Head Cap Screw	4
Not Shown	60937-000	Loctite (Red) Compound Tube	1
59		Tie Rod Assembly, Includes Key Nos. 60-62 <i>See Selection Guide on Page 133</i>	1
		Tie Rod End Service Kits, See Selection Guide on Page 133	
		Axle Set, Includes Left Hand & Right Hand Kits	
		Left Hand, Includes Key Nos. 60, 62-64	
		Right Hand, Includes Key Nos. 61-64	
		Tie Rod End, Includes Key No. 62, <i>See Selection Guide on Page 133</i>	
60		Left Hand	1
61		Right Hand	1
62		**⅞" Castle Nut	2
63	22962-007	⅞" Flat Washer	2
64	17800-004	Tie Rod Nut Cotter Pin	2
	60961-069	Stop Bolt Service Kit, One Side, Includes Key Nos. 65-66	
65	60238-001	½"-13 UNC Square Head Bolt	2
66	60240-000	½"-13 UNC Hex Jam Nut	2
67	59952-023	Top Axle Wrap	2
68	64722-003	Bottom Axle Wrap	2
69	65757-000	Top Axle Wrap Liner	2
70	59845-000	Bottom Axle Wrap Liner	2
71	64246-000	ABS Sensor Sleeve	2
72	64578-000	1 ½"-12 UNF Spindle Nut	2
73		*¾"-10 UNC x 8½" Hex Bolt	8
74		*¾" Flat Washer	8
75		*¾"-10 UNC-2B Nylocknut	8
	60961-116	Aftermarket Dual HCV & Linkage Conversion Kit Includes key Nos. 76-79	
76	59429-002	Lower Link Mount	1
77	58035-006	⅜"-16 UNC x 3½" Hex Bolt	1
78	22962-015	⅜" Flat Washer	1
79	59427-013L	Left Hand HCV & Linkage Assembly	1



Built prior to September 2006 – Prior to New Engine Configuration (PEC)

■ AIRTEK • Prior to New Engine Configuration (*PEC) Component Replacement Guide

Description	Current Part No. (*PEC)	Replacement Part Number	Comments
Air Spring Bracket	64583-000 (LH) 64586-000 (RH)	**66775-000 (LH) **66776-000 (RH)	Requires the replacement of both air spring brackets, both top pads, lower link mount(s) with the **NEC design and the elimination of both upper shock bracket spacers. Contact Hendrickson Engineering for more information.
Lower Link Mount	59429-002	59429-002	Will continue to be serviced with the *PEC design in the aftermarket.
Spacer for Upper Shock Bracket	59946-001	See Comments	No longer required when the top pad is replaced with the **NEC design.
Leaf Spring Assembly	65771-000	66420-000	Requires the replacement of both leaf springs along with the removal of the caster wedge (if equipped), replace with Service Kit 60961-134, see below for contents.
Top Pad	64580-000	**68318-001 (LH) **68318-002 (RH)	Requires the replacement of both top pads, both air spring brackets, lower link mount(s) with the **NEC design and removal of both upper shock bracket spacers. Contact Hendrickson Engineering for more information.
<p>♦PEC: Prior to New Engine Configuration, vehicles built prior to 9/2006 ♦♦NEC: New Engine Configuration, vehicles built after 9/2006</p>			

AIRTEK ♦PEC Replacement Service Kit Contents

PART NO.	DESCRIPTION	QTY.
60961-134	Leaf Spring Assembly Replacement Kit, Axle Set	
66420-000	Leaf Spring Assembly, Pre-assembled with Spring End Plate, Thrust washers, Rear Spring Mount, Rear Spring Mount Spacer, and Fasteners	
58917-016	3/4"-10 UNC x 8 1/2" Hex Bolt (Clamp Group)	10
22962-001	3/4" Flat Washer	8
17700-033	3/4"-10 UNC-2B Nylocknut	8
58917-008	3/4"-10 UNC x 6" Hex Bolt (Rear Hanger)	2
22962-033	3/4" Flat Washer	8
49842-000	3/4"-10 UNC-2B Nylocknut	4

NOTES: * Not supplied by Hendrickson, used for reference only. Hendrickson is not responsible for components supplied by the vehicle manufacturer. For assistance with maintenance and rebuild instructions on these components see vehicle manufacturer.

** Item included in kit/assembly only, part not sold separately.

*** Axle spring seats come assembled with the axle beam and are not serviceable.

**** Effective January 2019, vehicles equipped with Hendrickson STEERTEK NXT/STEERTEK axle will be installed with a left hand **composite** bearing and a right hand **roller** bearing configuration to replace the previous roller/roller bearing configuration for production and aftermarket.

***** The recommendation of the vehicle manufacturer is that dual height control valves are only to be installed on the front suspension when the rear suspension is equipped with a single height control valve system. This arrangement is best suited to keep the vehicle level versus having dual height control systems on both the front and rear suspensions.

***** No longer available for service, see Replacement Guide on Page 132.

Hendrickson **AIRTEK Ride Height Gauge for International Truck Vehicles** Literature number 45745-251 can be obtained online at www.hendrickson-intl.com/Litform



■ Tie Rod Selection Guide

		Axle Model	Wheel Base	KPI	Tie Rod Assembly Part Number	Tie Rod End Part Number	Tie Rod End Service Kit No.	
12K - 12.35K	1 1/4" Threads	Vehicles built after January 2014						
		STEERTEK NXT	<200"	69"	76877-004	70995-001 (LH) 70995-002 (RH)	60961-734 (Axle Set) 60961-736 (LH) 60961-741 (RH)	
			>200"		76877-005			
			<200"	70.8"	76877-005			
			>200"		76877-002			
		Vehicles built between January 2014 and August 2011						Tie Rod Assembly Replacement Part No.
		STEERTEK NXT	<200"	69"	60239-004	♦ Tie rod end kits are no longer available for these assembly numbers, requires complete tie rod assembly replacement.	76877-004	
			>200"		60239-005		76877-005	
	STEERTEK	<200"	70.8"	60239-005	76877-005			
		>200"		60239-002	76877-002			
	Vehicles built prior to August 2011						Tie Rod Assembly Replacement Part No.	
	STEERTEK	<200"	69"	60239-004	♦ Tie rod end kits are no longer available for these assembly numbers, requires complete tie rod assembly replacement.	76877-004		
		>200"		60239-005		76877-005		
		<200"	70.8"	60239-001		76877-001		
		>200"		60239-002		76877-002		

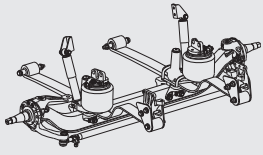
PARTS LISTS

13.2K - 14.6K	1 1/8" Threads	Vehicles built after January 2014					
		STEERTEK NXT	<200"	69"	76879-001	76876-001 (LH) 76876-002 (RH)	60961-735 (Axle Set) 60961-742 (LH) 60961-743 (RH)
			>200"		76879-001		
			<200"	70.8"	76879-001		
			>200"		76879-002		
		Vehicles built prior to January 2014					
		STEERTEK NXT & STEERTEK	<200"	69"	64006-001	64002-001 (LH) 64002-002 (RH)	60961-011 (Axle Set) 60961-027 (LH) 60961-028 (RH)
			>200"		64006-001		
		<200"	70.8"	64006-001			
		>200"		64006-002			

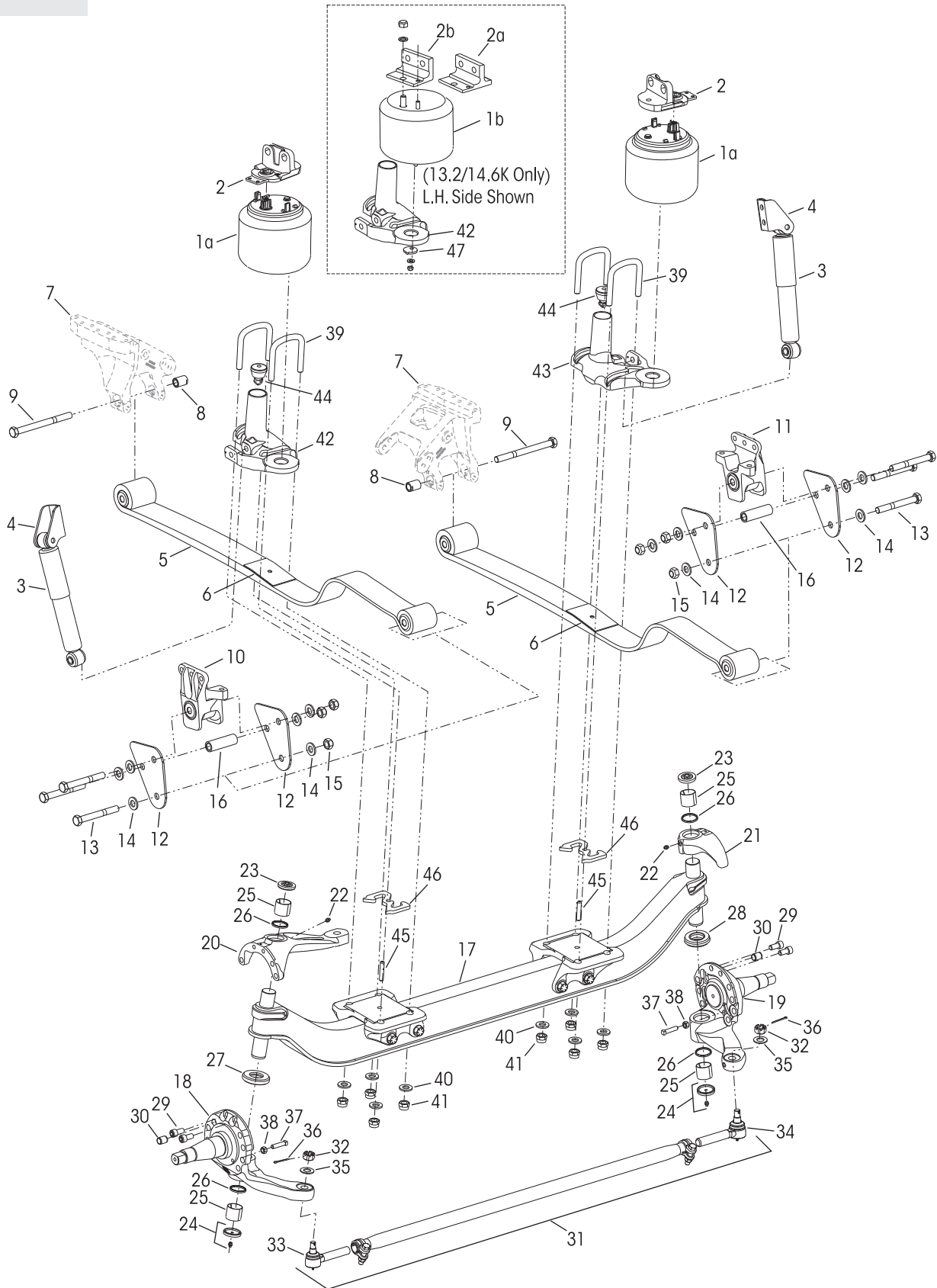
NOTE: ♦ Hendrickson supplies various tie rod assemblies. Locate the tie rod assembly part number on the tie rod tube to help determine the tie rod end kit or complete tie rod assembly replacement needed for service as shown in this Tie Rod Selection Guide.



Built after July 2011



PARTS LISTS

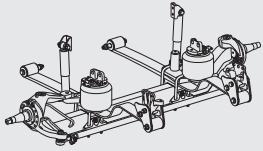




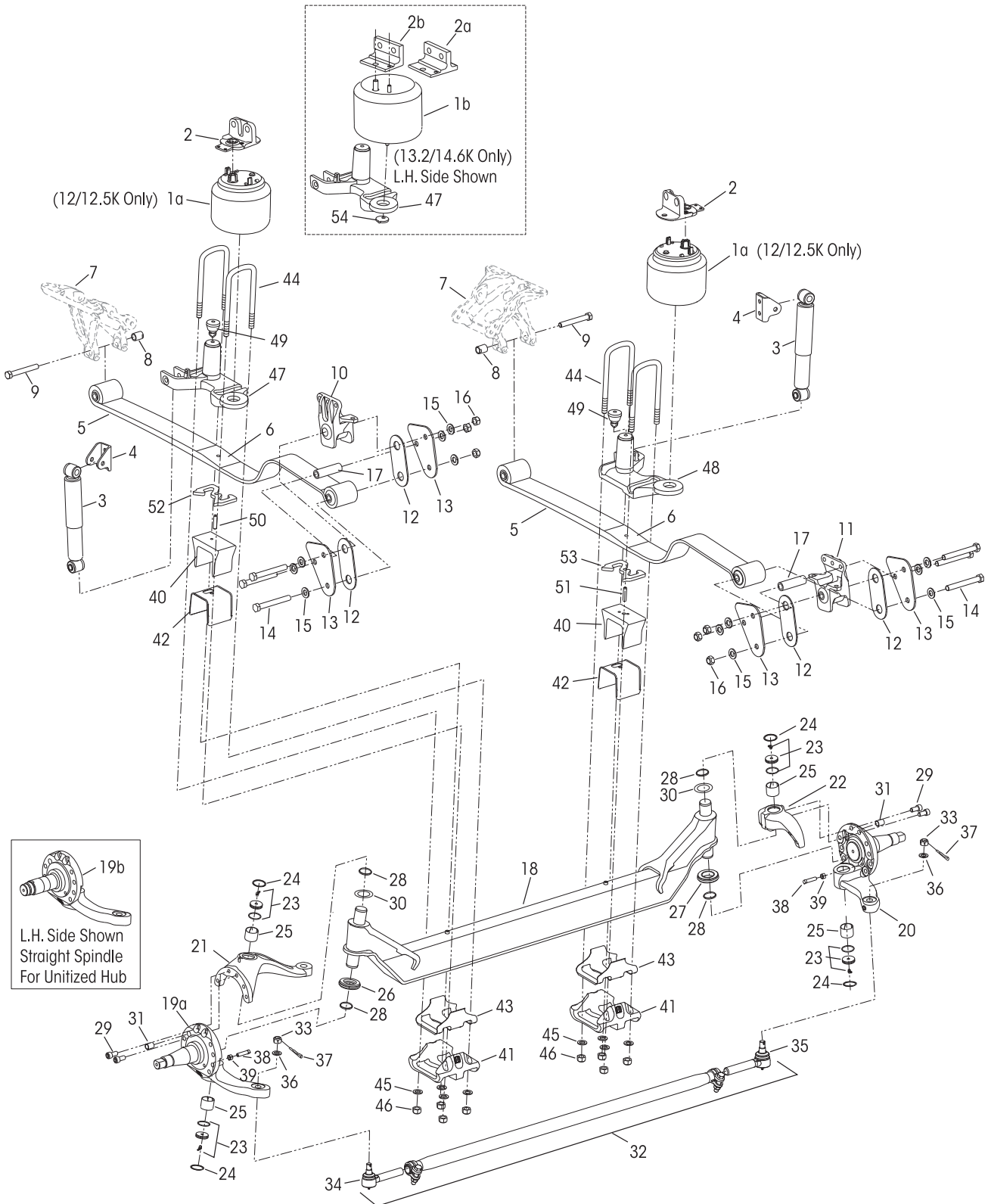
KEY NO.	PART NO.	DESCRIPTION	VEHICLE QTY.	KEY NO.	PART NO.	DESCRIPTION	VEHICLE QTY.
1		Air Spring	2		60961-628	Kingpin Bushing and Bearing Service Kit, Axle Set , Includes Kit Nos. 60961-629 & -630	
a	66349-002L	12K•12.5K			60961-629	LH Kingpin Bushing w/Composite Thrust Bearing Service Kit , Includes Key Nos. 22-27, 29 & Loctite	
b	60716-002L	13.2K•14.6K			60961-630	RH Kingpin Bushing w/Roller Thrust Bearing Service Kit , Includes Key Nos. 22-26, 28-29 & Loctite	
2		Air Spring Bracket	2	22	33117-000	Grease Zerk	2
	60757-000	12K•12.5K 266 Rail		23	68687-003	Grease Cap Assembly, Upper	2
	60976-000	12K•12.5K 300 Rail		24	68687-002	Grease Cap Assembly, Lower	2
a	60738-001	13.2K•14.6K 266 Rail		25	58909-000	Kingpin Bushing, <i>Replaces 78320-000</i>	4
b	60738-002	13.2K•14.6K 300 Rail		60961-631	Thrust Bearing Service Kit, Axle Set , Includes Kit Nos. 60961-632 & 60961-633		
3	64838-003L	Shock Absorber	2	60961-632	LH Composite Thrust Bearing Service Kit , Includes Key Nos. 26-27, 29 & Loctite		
4	59423-008	Upper Shock Bracket	2	60961-633	RH Roller Thrust Bearing Service Kit , Includes Key Nos. 26, 28-29 & Loctite		
5	53216-000	Leaf Spring Assembly with Bushings Includes Key No. 6	2	26	68731-000	Kingpin Seal	4
6		**Steel Galvanized Liner	2	27	59828-000	Left Hand Composite Thrust Bearing	1
7		*Front Spring Hanger	2	28	64256-000L	Right Hand Roller Thrust Bearing	1
8	64486-000	Inboard Spring Adapter	2	29	60236-001	5/8"-11 UNC Socket Head Cap Screw	4
9	58258-009	M20 x 2.5-6G 230 mm Hex Bolt	2	Not Shown	60937-000	Loctite® (Red) Compound Tube	1
		LH Rear Shackle Bracket Service Kit, One Side , Includes Key Nos. 10, 12-16		30	64246-000	ABS Sensor Sleeve	2
	60961-840	266 Frame Rail		31		Tie Rod Assembly, Includes Key Nos. 32-34 <i>See Selection Guide on Page 145</i>	1
	60961-841	300 Frame Rail		32		**7/8" Castle Nut	2
		RH Rear Shackle Bracket Service Kit, One Side , Includes Key Nos. 11-16				Tie Rod End Service Kit, Axle Set , Includes LH and RH Tie Rod End Service Kits, <i>see Selection Guide on Page 145</i>	
	60961-842	266 Frame Rail				LH Tie Rod End Service Kit , Includes Key Nos. 33, 35-36, <i>see Selection Guide on Page 145</i>	
	60961-843	300 Frame Rail				RH Tie Rod End Service Kit , Includes Key Nos. 34-36, <i>see Selection Guide on Page 145</i>	
10		LH Rear Shackle Bracket w/Bushing (Cast Part No. 64153-001)	1	33		LH Tie Rod End, <i>see Selection Guide on Page 145</i>	1
	68548-001	266 Frame Rail		34		RH Tie Rod End, <i>see Selection Guide on Page 145</i>	1
	68554-001	300 Frame Rail		35	22962-007	7/8" Flat Washer	2
11		RH Rear Shackle Bracket w/Bushing (Cast Part No. 64153-002)	1	36	17800-004	Tie Rod Nut Cotter Pin	2
	68548-002	266 Frame Rail		37	60238-001	1/2"-13 UNC Square Head Bolt	2
	68554-002	300 Frame Rail		38	60240-000	1/2"-13 UNC Hex Jam Nut	2
	60961-635	Shackle Bracket Service Kit, Axle Set , Includes Key Nos. 12-16				U-bolt Clamp Group Service Kit, One Side , Includes Key Nos. 39-41 12K•12.5K and 13.2K•14.6K 338 mm Ride Height 366 mm Ride Height	
12	64794-000	Shackle Plate	4	39		M20 x 2.5-6G U-bolt, 12K•12.5K and 13.2K•14.6K 338 mm Ride Height, Bolt Length 128.5 mm 366 mm Ride Height, Bolt Length 156.5 mm	4
13	58258-029	M20 x 2.5-6G 160 mm Hex Bolt, <i>Replaces 58258-008</i>	6	40	58246-018	M20 Flat Washer, <i>Replaces 58246-009</i>	8
14	58246-029	M20 Flat Washer, <i>Replaces 58246-009</i>	12	41	65072-001	M20 x 2.5-6H Nylocknut	8
15	58259-003	M20 x 2.5-6H Locknut, <i>Replaces 58259-001</i>	6	42		LH Top Pad Assembly	1
16	60631-002	Shackle Stop Spacer	2	69659-001	266 Frame Rail		
	68957-0XX	STEERTEK NXT Axle Assembly , Includes Key Nos. 17-21, 27-29, 31, 35-36, <i>contact Hendrickson Tech Services for Part Number</i>	1	69660-001	300 Frame Rail		
17		Axle & Kingpin Assembly, 70.9 KPI	1	43		RH Top Pad Assembly	1
	68956-003M	12K•12.5K, 338/366 mm Ride Ht., 4.25" Drop		69659-002	266 Frame Rail		
	68956-004M	12K•12.5K, 338 mm Ride Ht., 5.36" Drop		69660-002	300 Frame Rail		
	68956-005M	13.2K•14.6K, 338/366 mm Ride Ht., 4.25" Drop		44	64080-000	Rubber Axle Stop	2
	68956-006M	13.2K•14.6K, 338 mm Ride Ht., 5.36" Drop		45		Dowel Pin	2
18		LH Lower Steering Knuckle Assembly, Includes Key Nos. 24-26, 37-38	1		57159-004	338 mm Ride Height, 66.8 mm	
	58900-407	<190 Ackermann STD Hub, Includes Key No. 30			57159-008	366 mm Ride Height, 94.8 mm	
	58900-409	>190 Ackermann STD Hub, Includes Key No. 30		46	64318-028	Axle Spacer, 366 mm Ride Height, 28 mm	2
	58900-417	<190 Ackermann Unitized Hub		47	64166-000	Air Spring Adapter for Top Pad 13.2K•14.6K Only	2
	58900-419	>190 Ackermann Unitized Hub					
19		RH Lower Steering Knuckle Assembly, Includes Key Nos. 24-26, 37-38	1				
	58900-408	<190 Ackermann STD Hub, Includes Key No. 30					
	58900-410	>190 Ackermann STD Hub, Includes Key No. 30					
Not Shown	58900-418	<190 Ackermann Unitized Hub					
Not Shown	58900-420	>190 Ackermann Unitized Hub					
20		LH Upper Steering Knuckle Assembly, Includes Key Nos. 22-23, 25-26	1				
	60903-411	338 mm Ride Height					
	60903-413	366 mm Ride Height					
21	60904-402	RH Upper Steering Knuckle Assembly, Includes Key Nos. 22-23, 25-26	1				



Built prior to July 2011, post 2007 Engine



PARTS LISTS





VEHICLE				VEHICLE			
KEY NO.	PART NO.	DESCRIPTION	QTY.	KEY NO.	PART NO.	DESCRIPTION	QTY.
1		Air Spring	2	22	60904-002	RH Upper Steering Knuckle Assembly Includes Key Nos. 25, 28	1
a	66349-002L	12K•12.5K, <i>Replaces 60750-002L</i>					
b	60716-002L	13.2K•14.6K			60961-040	Kingpin Bushing and Bearing Service Kit, Axle Set , Includes Kit Nos. 60961-009 & 60961-039	
2		Air Spring Bracket	2		60961-009	LH Kingpin Bushing w/Composite Thrust Bearing Service Kit , Includes Key Nos. 23-26, 28-30 & Loctite	
	60757-000	12K•12.5K 266 Rail			60961-039	RH Kingpin Bushing w/Roller Thrust Bearing Service Kit , Includes Key Nos. 23-25, 27-30 & Loctite	
	60976-000	12K•12.5K 300 Rail		23	59156-000	Grease Cap Assembly	4
a	60738-001	13.2K•14.6K 266 Rail		24	58937-000	Retaining Ring	4
b	60738-002	13.2K•14.6K 300 Rail		25	58909-000	Kingpin Bushing	4
3	64838-002L	Shock Absorber	2		60961-043	Thrust Bearing Service Kit, Axle Set , Includes Kit Nos. 60961-041 & 60961-042	
4	64241-001	Upper Shock Bracket	2		60961-041	LH Composite Thrust Bearing Service Kit , Includes Key Nos. 26, 28-30 & Loctite	
	60961-072	Front Leaf Spring Assembly Service Kit, One Side , Includes Key Nos. 5, 13			60961-042	RH Roller Thrust Bearing Service Kit , Includes Key Nos. 27-30 & Loctite	
5	64772-000	Leaf Spring Assembly with Bushings Includes Key No. 6	2	26	59828-000	Left Hand Composite Thrust Bearing	1
6		**Steel Galvanized Liner	2	27	64256-000L	Right Hand Roller Thrust Bearing	1
7		*Front Spring Hanger	2	28	58910-001	Kingpin Seal, <i>Replaces 58910-000</i>	4
8	64486-000	Inboard Spring Adapter, <i>Replaces 64162-000</i>	2	29	60236-001	5/8" Socket Head Cap Screw	4
9	58258-009	M20 x 2.5-6G 230 mm Hex Bolt	2	30		Kingpin Shim	As Req.
		LH Rear Shackle Bracket Service Kit, One Side , Includes Key Nos. 10, 12-17			60259-001X	0.005" Thickness (Pack of 4)	
	60961-683	266 Frame Rail			60259-002	0.047" Thickness	
	60961-684	300 Frame Rail		Not Shown	60937-000	Loctite (Red) Compound Tube	1
		RH Rear Shackle Bracket Service Kit, One Side , Includes Key Nos. 11-17		31	64246-000	ABS Sensor Sleeve	2
	60961-685	266 Frame Rail		32		Tie Rod Assembly, Includes Key Nos. 33-35 <i>See Selection Guide on Page 145</i>	1
	60961-686	300 Frame Rail		33		**7/8" Castle Nut	2
10		LH Rear Shackle Bracket w/Bushing (Cast Part No. 64153-001)	1			Tie Rod End Service Kit, Axle Set , Includes LH and RH Tie Rod End Service Kits <i>See Selection Guide on Page 145</i>	
	64175-001	266 Frame Rail				LH Tie Rod End Service Kit , Includes Key Nos. 34, 36-37, <i>see Selection Guide on Page 145</i>	
	64176-001	300 Frame Rail				RH Tie Rod End Service Kit , Includes Key Nos. 35-37, <i>see Selection Guide on Page 145</i>	
11		RH Rear Shackle Bracket w/Bushing (Cast Part No. 64153-002)	1	34		LH Tie Rod End, <i>see Selection Guide on Page 145</i>	1
	64175-002	266 Frame Rail		35		RH Tie Rod End, <i>see Selection Guide on Page 145</i>	1
	64176-002	300 Frame Rail		36	22962-007	7/8" Flat Washer	2
	60961-034	Shackle Bracket Service Kit, Axle Set , Includes Key Nos. 12-17		37	17800-004	Tie Rod Nut Cotter Pin	2
12	64159-000	Thrust Washer	4	38	60238-001	1/2"-13 UNC Square Head Bolt	2
13	64794-000	Shackle Plate	4	39	60240-000	1/2"-13 UNC Hex Jam Nut	2
14	58258-029	M20 x 2.5-6G 160 mm Hex Bolt, <i>Replaces 58258-008</i>	6	40	59952-017	Top Axle Wrap	2
15	58246-029	M20 Flat Washer, <i>Replaces 58246-009</i>	12	41	64722-003	Bottom Axle Wrap	2
16	58259-003	M20 x 2.5-6H Locknut, <i>Replaces 58259-001</i>	6			U-bolt Clamp Group Service Kit, One Side , Includes Key Nos. 42-46	
17	60631-000	Shackle Stop Spacer	2		60961-185	12K•12.5K and 13.2K•14.6K 366 mm Ride Height, 4.25" Drop 338 mm Ride Height, 5.36" Drop	
	60952-0XX	STEERTEK Axle Assembly , Includes Key Nos. 18-24, 26-27, 29-30, 32-43. <i>contact Hendrickson Tech Services for Part Number</i>	1		60961-186	12K•12.5K, 338 mm Ride Ht., 4.25" Drop	
18		Axle & Kingpin Assembly, 70.9 KPI	1		60961-187	13.2K•14.6K, 338 mm Ride Ht., 4.25" Drop	
	64905-001	• 12K•12.5K 338/366 mm Ride Ht., 4.25" Drop			60961-015	Top/Bottom Axle Wrap Liner Service Kit, One Side , Includes Key Nos. 42-43	
	64905-003	• 13.2K•14.6K 338 mm Ride Ht., 5.36" Drop		42	60508-000	Top Axle Wrap Liner	2
	64905-005	338/366 mm Ride Ht., 4.25" Drop		43	59845-000	Bottom Axle Wrap Liner	2
	64905-007	338 mm Ride Ht., 5.36" Drop		44		M20 x 2.5 - 6G U-bolt	4
19		LH Lower Steering Knuckle Assembly Includes Key Nos. 25, 28	1		65663-002	• Vehicles built with Pre'07 Engine , <i>see Page 138</i> 12K•12.5K and 13.2K•14.6K 366 mm Ride Ht., Bolt Length 275 mm	
a	58900-007	<190 Ackermann STD Hub, Includes Key No. 31			65663-003	12K•12.5K 338 mm Ride Ht., Bolt Length 225 mm	
a	58900-009	>190 Ackermann STD Hub, Includes Key No. 31			65663-004	13.2K•14.6K 338 mm Ride Ht., Bolt Length 255 mm	
b	58900-017	<190 Ackermann Unitized Hub					
b	58900-019	>190 Ackermann Unitized Hub					
20		RH Lower Steering Knuckle Assembly Includes Key Nos. 25, 28	1				
	58900-008	<190 Ackermann STD Hub, Includes Key No. 31					
	58900-010	>190 Ackermann STD Hub, Includes Key No. 31					
Not Shown	58900-018	<190 Ackermann Unitized Hub					
Not Shown	58900-020	>190 Ackermann Unitized Hub					
21		LH Upper Steering Knuckle Assembly Includes Key Nos. 25, 28	1				
	60903-011	338 mm Ride Ht.					
	60903-013	366 mm Ride Ht.					



Built prior to July 2011, post 2007 Engine

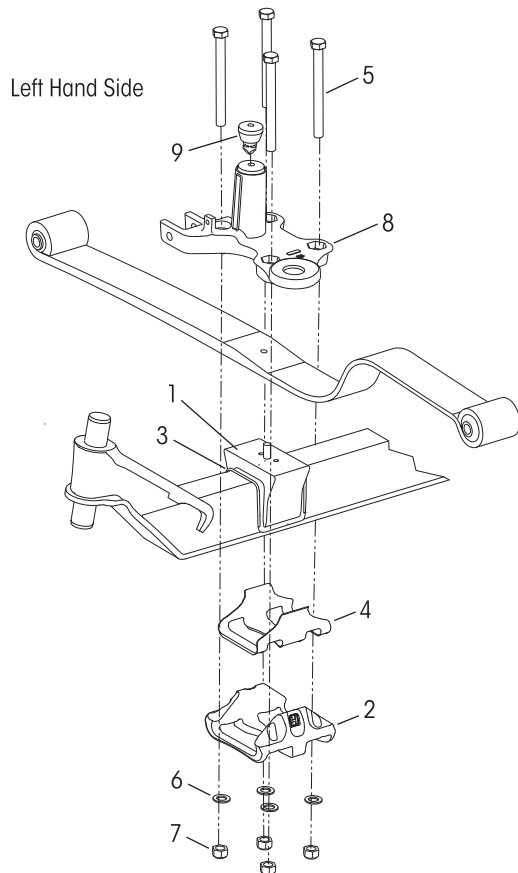
PARTS LISTS

KEY NO.	PART NO.	DESCRIPTION	VEHICLE QTY.
45	58246-018	M20 Flat Washer, <i>Replaces 58246-009</i>	8
46	65072-001	M20 x 2.5-6H Locknut	8
47		LH Top Pad	1
	67266-001	• Vehicles built with Pre'07 Engine, <i>see below</i> 266 Frame Rail, <i>Replaces 64517-001, 64172-001L, 64725-001L, 65493-001L</i>	
	67300-001	300 Frame Rail, <i>Replaces 64173-001L, 64727-001L, 65605-001L</i>	
48		RH Top Pad	1
	67266-002	• Vehicles built with Pre'07 Engine, <i>see below</i> 266 Frame Rail, <i>Replaces 64517-002, 64172-002L, 64725-002L, 65493-002L</i>	
	67300-002	300 Frame Rail, <i>Replaces 64161-002, 64173-002L, 64727-002L, 65605-002L</i>	
49	64080-000	Rubber Axle Stop	2
50		LH Dowel Pin	1
	57159-004	• Vehicles equipped with dual HCVs, built after 03/05 366 mm Ride Height, 66.8 mm	
	57159-007	• Vehicles equipped with a single HCV built prior to 03/05 338 mm Ride Height, 79.5 mm	
	57159-012	338 mm Ride Height, 85.9 mm	
	57159-009	366 mm Ride Height, 107.2 mm	
	57159-013	366 mm Ride Height, 115 mm	

KEY NO.	PART NO.	DESCRIPTION	VEHICLE QTY.
51		RH Dowel Pin	1
	57159-004	• Vehicles equipped with dual HCVs built after 03/05 366 mm Ride Height, 66.8 mm	
	57159-004	• Vehicles equipped with a single HCV built prior to 03/05 338 mm Ride Height, 66.8 mm	
	57159-008	366 mm Ride Height, 94.8 mm	
52		LH Front Axle Spacer	1
	64318-028	• Vehicles equipped with dual HCVs built after 03/05 366 mm Ride Height, 28 mm	
	64318-012	• Vehicles equipped with a single HCV built prior to 03/05 338 mm Ride Height, 12 mm	
	64318-020	338 mm Ride Height, 20 mm	
	64318-040	366 mm Ride Height, 40 mm	
	64318-048	366 mm Ride Height, 48 mm	
53		RH Front Axle Spacer	1
	64318-028	• Vehicles equipped with dual HCVs built after 03/05 366 mm Ride Height, 28 mm	
54	64166-000	Air Spring Adapter for Top Pad 13.2K/14.6K Only	2

■ Vehicles built with STEERTEK axle and Pre'07 Engine

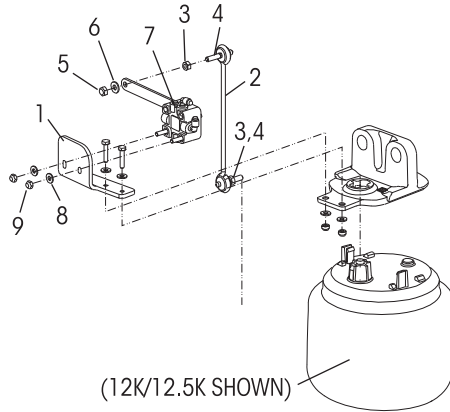
Top Pad with Straight Hex Bolt



KEY NO.	PART NO.	DESCRIPTION	VEHICLE QTY.
1	59952-017	Top Axle Wrap	2
2	64722-003	Bottom Axle Wrap	2
		Straight Bolt Clamp Group Service Kit, One Side, Includes Key Nos. 3-7	
	60961-035	• Vehicles equipped with dual HCVs, Built after 03/05 12K•12.5K and 13.2K/14.6K 338 mm Ride Height	
	60961-036	366 mm Ride Height	
	60961-035	• Vehicles equipped with a single HCV, Built prior to 03/05 12K•12.5K, 338 mm Ride Height	
	60961-036	12K•12.5K, 366 mm Ride Height	
	60961-037	13.2K•14.6K, 338 mm Ride Height	
	60961-038	13.2K•14.6K, 366 mm Ride Height	
3	60508-000	Top Axle Wrap Liner	2
4	59845-000	Bottom Axle Wrap Liner	2
5		M20 x 2.5-6G Hex Bolt	8
	58258-007	• Vehicles equipped with dual HCVs, Built after 03/05 12K•12.5K and 13.2K•14.6K 338 mm Ride Height, Bolt Length 220 mm	
	58258-011	366 mm Ride Height, Bolt Length 250 mm	
	58258-009	• Vehicles equipped with a single HCV, Built prior to 03/05 12K•12.5K 338 mm Ride Height, Bolt Length 230 mm	
	58258-010	366 mm Ride Height, Bolt Length 260 mm 13.2K•14.6K	
	58258-007	338 mm Ride Height, Bolt Length 220 mm	
	58258-011	366 mm Ride Height, Bolt Length 250 mm	
6	58246-018	M20 Flat Washer, <i>Replaces 58246-009</i>	8
7	65072-001	M20 x 2-6H Locknut	8
8		Top Pad Assembly, (Pre '07 Engine Top Pads are obsolete. If top pad replacement is required, replace with current top pad and U-bolts, see Key Nos. 44,47,48)	2
9	64080-000	Rubber Axle Stop	2



■ Single Height Control Valve for Vehicles built prior to 03/05



KEY NO.	PART NO.	DESCRIPTION	VEHICLE QTY.
		Single HCV, Link Mount & Linkage Assembly, Includes Key Nos. 1-9	1
	64089-00L	12K•12.5K	
	64094-00L	13.2K•14.6K	
1	64480-000	Single Height Control Valve Bracket	1
	64481-000	12K•12.5K	
	59427-006	Single Height Control Valve & Linkage Assembly, Includes Key Nos. 2-9	1
2	59428-004	Height Control Valve Linkage	1
3	64298-000	M8 x 1¼-6H Hexnut	2
4	59169-002	M8 Link Stud	2
5	64297-000	M8 x 1¼-6H Locknut	1
6	58246-034	M8 Flat Washer, <i>Replaces 58246-012</i>	1
7	59935-003	Height Control Valve	1
8	22962-052	¼" Flat Washer, <i>Replaces 22962-028</i>	2
9	77581-000	M6 Locknut, <i>Replaces 49983-000</i>	2

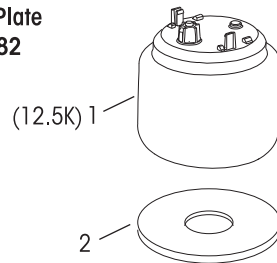
Dual Height Control Valve Conversion Service Kits are available to convert a single height control valve to dual height control valves configuration.

Dual Height Control Valve and Linkage Service Kit

60961-101	12K•12.5K Capacity
60961-102	13.2K•14.6K Capacity

■ Air Spring with Support Plate for Vehicles built between 03/05 and 06/07 equipped with dual height control valves

Air Spring with Support Plate
Service Kit No. 60961-182



KEY NO.	PART NO.	DESCRIPTION	VEHICLE QTY.
1	67304-002	Air Spring (12.5K)	1
2	67149-000	Support Plate	1

NOTES: * Not supplied by Hendrickson, used for reference only. Hendrickson is not responsible for components supplied by the vehicle manufacturer. For assistance with maintenance and rebuild instructions on these components see vehicle manufacturer.

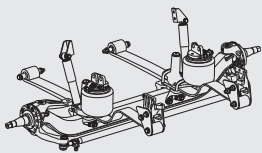
** Item included in kit/assembly only, part not sold separately.

Hendrickson **AIRTEK Ride Height Gauge for Volvo Vehicles** can be obtained on-line at www.hendrickson-intl.com/Litform

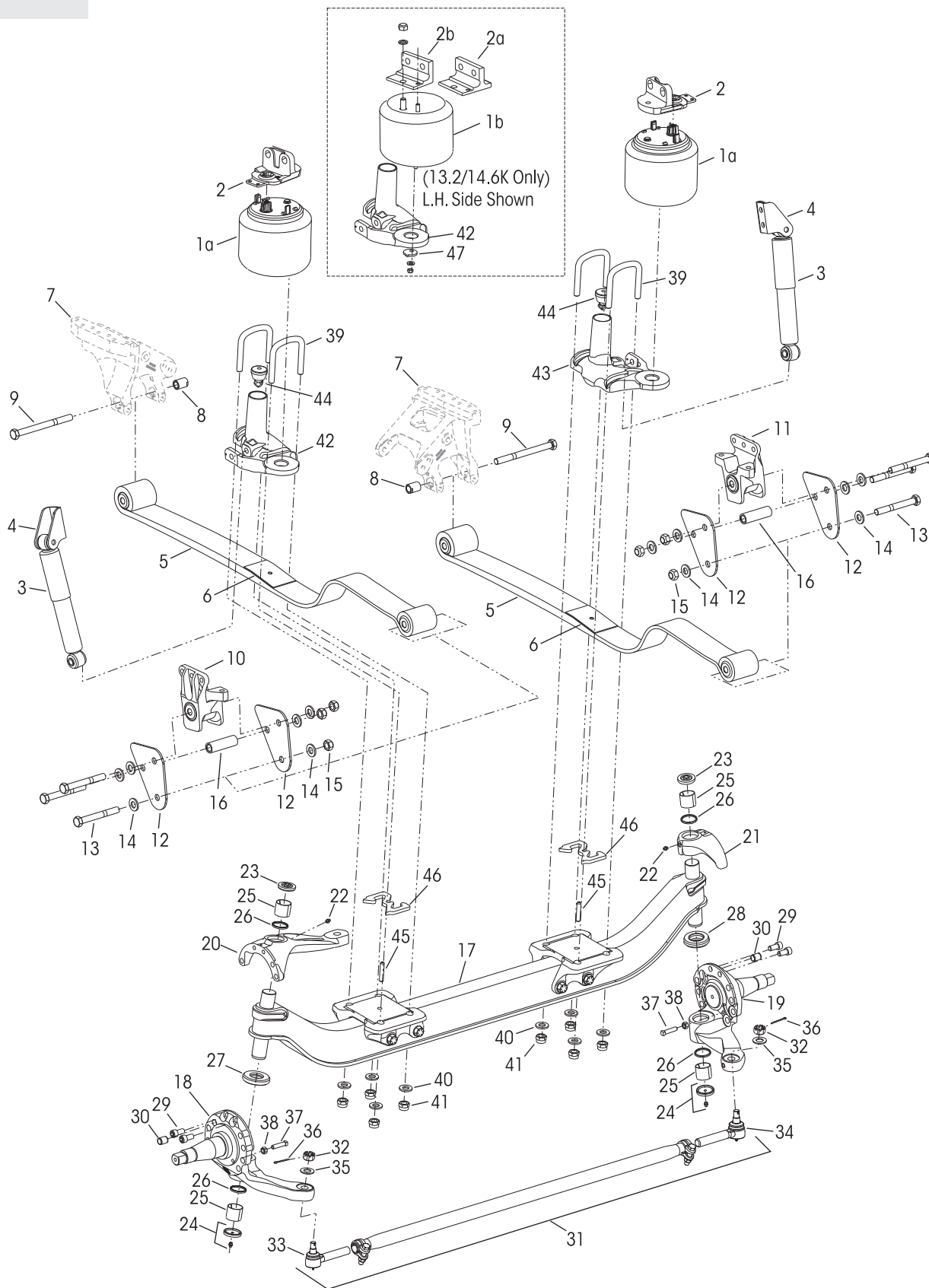
- Literature No. 45745-359 – Vehicles built **After** July 2011, 12K•12.5K•13.2K•14.6K Capacity
- Literature No. 45745-170 – Vehicles built **Prior to** July 2011, 12K•12.5K Capacity
- Literature No. 45745-195 – Vehicles built **Prior to** July 2011, 13.2K•14.6K Capacity



Built after July 2011



PARTS LISTS

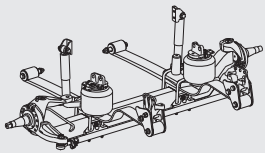




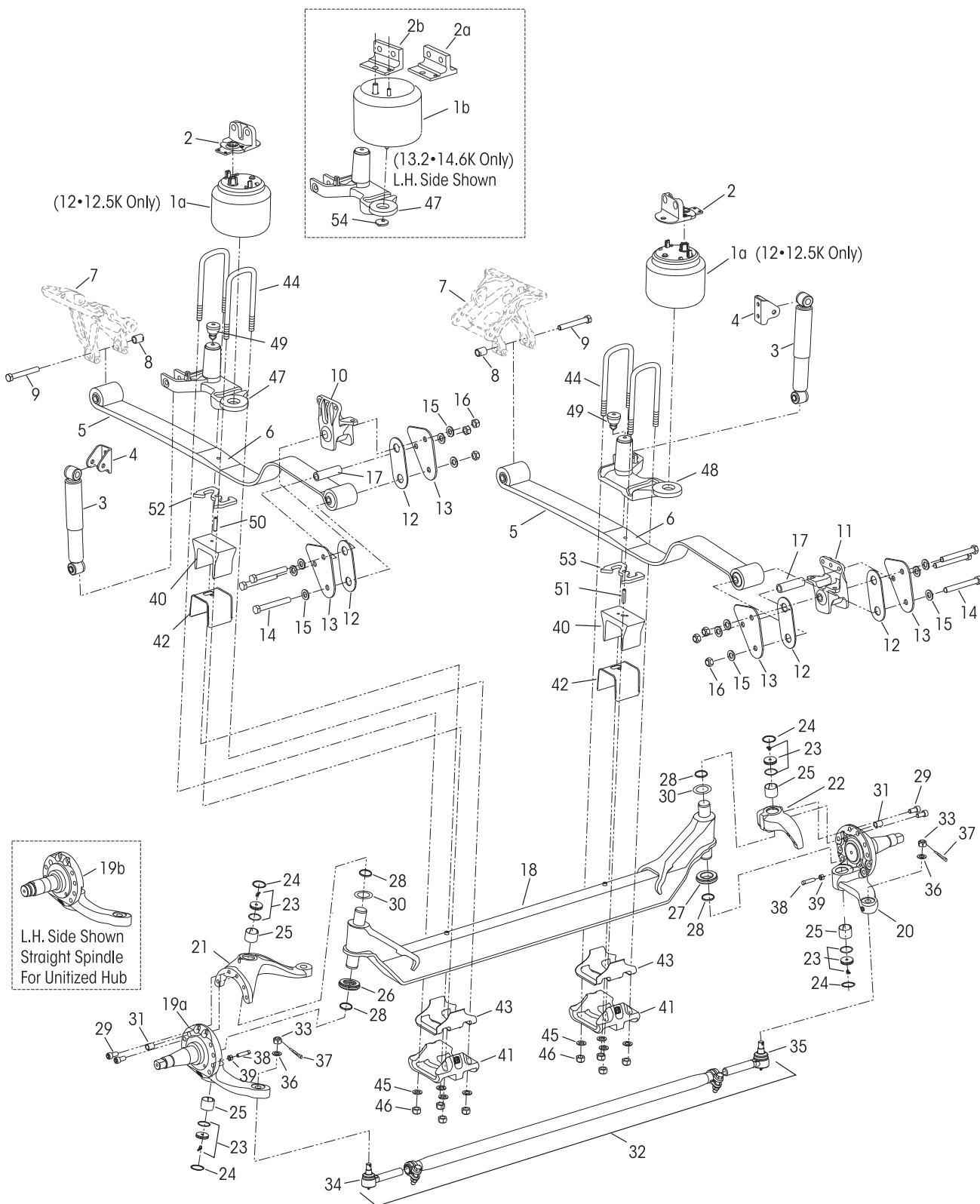
KEY NO.	PART NO.	DESCRIPTION	VEHICLE QTY.	KEY NO.	PART NO.	DESCRIPTION	VEHICLE QTY.
1		Air Spring	2		60961-628	Kingpin Bushing and Bearing Service Kit, Axle Set , Includes Kit Nos. 60961-629 & -630	
a	66349-002L	12K•12.5K			60961-629	LH Kingpin Bushing w/Composite Thrust Bearing Service Kit , Includes Key Nos. 22-27, 29 & Loctite	
b	60716-002L	13.2K•14.6K			60961-630	RH Kingpin Bushing w/Roller Thrust Bearing Service Kit , Includes Key Nos. 22-26, 28-29 & Loctite	
2		Air Spring Bracket	2	22	33117-000	Grease Zerk	2
	60757-000	12K•12.5K 266 Rail		23	68687-003	Grease Cap Assembly, Upper	2
	60976-000	12K•12.5K 300 Rail		24	68687-002	Grease Cap Assembly, Lower	2
a	60738-001	13.2K•14.6K 266 Rail		25	58909-001	Kingpin Bushing	4
b	60738-002	13.2K•14.6K 300 Rail			60961-631	Thrust Bearing Service Kit, Axle Set , Includes Kit Nos. 60961-632 & 60961-633	
3	64838-003L	Shock Absorber	2		60961-632	LH Composite Thrust Bearing Service Kit , Includes Key Nos. 26-27, 29 & Loctite	
4	59423-008	Upper Shock Bracket	2		60961-633	RH Roller Thrust Bearing Service Kit , Includes Key Nos. 26, 28-29 & Loctite	
5	53216-000	Leaf Spring Assembly w/Bushings Includes Key No. 6	2	26	68731-000	Kingpin Seal	4
6		**Steel Galvanized Liner	2	27	59828-000	Left Hand Composite Thrust Bearing	1
7		*Front Spring Hanger	2	28	64256-000L	Right Hand Roller Thrust Bearing	1
8	64486-000	Inboard Spring Adapter	2	29	60236-001	5/8"-11 UNC Socket Head Cap Screw	4
9	58258-009	M20 x 2.5-6G 230 mm Hex Bolt	2	Not Shown	60937-000	Loctite® (Red) Compound Tube	1
		LH Rear Shackle Bracket Service Kit, One Side , Includes Key Nos. 10, 12-16		30	64246-000	ABS Sensor Sleeve	2
	60961-840	266 Frame Rail		31		Tie Rod Assembly, Includes Key Nos. 32-34 <i>See Selection Guide on Page 145</i>	1
	60961-841	300 Frame Rail		32		**7/8" Castle Nut	2
		RH Rear Shackle Bracket Service Kit, One Side , Includes Key Nos. 11-16				Tie Rod End Service Kit, Axle Set , Includes LH and RH Tie Rod End Service Kits, <i>see Selection Guide on Page 145</i>	
	60961-842	266 Frame Rail				LH Tie Rod End Service Kit , Includes Key Nos. 33, 35-36, <i>see Selection Guide on Page 145</i>	
	60961-843	300 Frame Rail				RH Tie Rod End Service Kit , Includes Key Nos. 34-36, <i>see Selection Guide on Page 145</i>	
10		LH Rear Shackle Bracket w/Bushing (Cast Part No. 64153-001)	1	33		LH Tie Rod End, <i>see Selection Guide on Page 145</i>	1
	68548-001	266 Frame Rail		34		RH Tie Rod End, <i>see Selection Guide on Page 145</i>	1
	68554-001	300 Frame Rail		35	22962-007	7/8" Flat Washer	2
11		RH Rear Shackle Bracket w/Bushing (Cast Part No. 64153-002)	1	36	17800-004	Tie Rod Nut Cotter Pin	2
	68548-002	266 Frame Rail		37	60238-001	1/2"-13 UNC Square Head Bolt	2
	68554-002	300 Frame Rail		38	60240-000	1/2"-13 UNC Hex Jam Nut	2
	60961-635	Shackle Bracket Service Kit, Axle Set , Includes Key Nos. 12-16				U-bolt Clamp Group Service Kit, One Side , Includes Key Nos. 39-41 12K•12.5K and 13.2K•14.6K 338 mm Ride Height 366 mm Ride Height	
12	64794-000	Shackle Plate	4	39		M20 x 2.5-6G U-bolt, 12K•12.5K and 13.2K•14.6K 338 mm Ride Height, Bolt Length 128 mm 366 mm Ride Height, Bolt Length 155 mm	4
13	58258-029	M20 x 2.5-6G 160 mm Hex Bolt, <i>Replaces 58258-008</i>	6	40	58246-018	M20 Flat Washer, <i>Replaces 58246-009</i>	8
14	58246-029	M20 Flat Washer, <i>Replaces 58246-009</i>	12	41	65072-001	M20 x 2.5-6H Nylocknut	8
15	58259-003	M20 x 2.5-6H Locknut, <i>Replaces 58259-001</i>	6	42		LH Top Pad Assembly	1
16	60631-002	Shackle Stop Spacer	2		69659-001	266 Frame Rail	
	68957-0XX	STEERTEK NXT Axle Assembly , Includes Key Nos. 17-21, 27-29, 31, 35-36, <i>contact Hendrickson Tech Services for Part Number</i>	1		69660-001	300 Frame Rail	
17		Axle & Kingpin Assembly, 70.9 KPI	1	43		RH Top Pad Assembly	1
	68956-003M	12K•12.5K, 338/366 mm Ride Ht., 4 1/4" Drop			69659-002	266 Frame Rail	
	68956-004M	12K•12.5K, 338 mm Ride Ht., 5.36" Drop			69660-002	300 Frame Rail	
	68956-005M	13.2K•14.6K, 338/366 mm Ride Ht., 4 1/4" Drop		44	64080-000	Rubber Axle Stop	2
	68956-006M	13.2K•14.6K, 338 mm Ride Ht., 5.36" Drop		45		Dowel Pin	2
18		LH Lower Steering Knuckle Assembly, Includes Key Nos. 24-26, 37-38	1		57159-004	338 mm Ride Height, 66.8 mm	
	58900-407	<190 Ackermann STD Hub, Includes Key No. 30			57159-008	366 mm Ride Height, 94.8 mm	
	58900-409	>190 Ackermann STD Hub, Includes Key No. 30		46	64318-028	Axle Spacer, 366 mm Ride Height, 28 mm	2
	58900-417	<190 Ackermann Unitized Hub		47	64166-000	Air Spring Adapter for Top Pad 13.2K•14.6K Only	2
	58900-419	>190 Ackermann Unitized Hub					
19		RH Lower Steering Knuckle Assembly, Includes Key Nos. 24-26, 37-38	1				
	58900-408	<190 Ackermann STD Hub, Includes Key No. 30					
	58900-410	>190 Ackermann STD Hub, Includes Key No. 30					
Not Shown	58900-418	<190 Ackermann Unitized Hub					
Not Shown	58900-420	>190 Ackermann Unitized Hub					
20		LH Upper Steering Knuckle Assembly, Includes Key Nos. 22-23, 25-26	1				
	60903-411	338 mm Ride Height					
	60903-413	366 mm Ride Height					
21	60904-402	RH Upper Steering Knuckle Assembly, Includes Key Nos. 22-23, 25-26	1				



Built prior to July 2011, post 2007 Engine



PARTS LISTS



L.H. Side Shown
Straight Spindle
For Unitized Hub



VEHICLE				VEHICLE			
KEY NO.	PART NO.	DESCRIPTION	QTY.	KEY NO.	PART NO.	DESCRIPTION	QTY.
1		Air Spring	2	22	60904-002	RH Upper Steering Knuckle Assembly Includes Key Nos. 25, 28	1
a	66349-002L	12K•12.5K, <i>Replaces 60750-002L</i>			60961-040	Kingpin Bushing and Bearing Service Kit, Axle Set , Includes Kit Nos. 60961-009 & 60961-039	
b	60716-002L	13.2K•14.6K			60961-009	LH Kingpin Bushing w/Composite Thrust Bearing Service Kit , Includes Key Nos. 23-26, 28-30 & Loctite	
2		Air Spring Bracket	2		60961-039	RH Kingpin Bushing w/Roller Thrust Bearing Service Kit , Includes Key Nos. 23-25, 27-30 & Loctite	
	60757-000	12K•12.5K 266 Rail		23	59156-000	Grease Cap Assembly	4
	60976-000	12K•12.5K 300 Rail		24	58937-000	Retaining Ring	4
a	60738-001	13.2K•14.6K 266 Rail		25	58909-000	Kingpin Bushing	4
b	60738-002	13.2K•14.6K 300 Rail			60961-043	Thrust Bearing Service Kit, Axle Set , Includes Kit Nos. 60961-041 & 60961-042	
3	64838-002L	Shock Absorber, <i>Replaces 64838-001L</i>	2		60961-041	LH Composite Thrust Bearing Service Kit , Includes Key Nos. 26, 28-30 & Loctite	
4	64241-001	Upper Shock Bracket	2		60961-042	RH Roller Thrust Bearing Service Kit , Includes Key Nos. 27-30 & Loctite	
	60961-072	Front Leaf Spring Assembly Service Kit, One Side , Includes Key Nos. 5, 13		26	59828-000	Left Hand Composite Thrust Bearing,	1
5	64772-000	Leaf Spring Assembly with Bushings Includes Key No. 6 <i>Replaces 64485-000, 65215-000</i>	2	27	64256-000L	Right Hand Roller Thrust Bearing	1
6		**Steel Galvanized Liner	2	28	58910-001	Kingpin Seal	4
7		*Front Spring Hanger	2	29	60236-001	5/8" Socket Head Cap Screw	4
8	64486-000	Inboard Spring Adapter, <i>Replaces 64162-000</i>	2	30		Kingpin Shim	As Req.
9	58258-009	M20 x 2.5-6G 230 mm Hex Bolt	2		60259-001X	0.005" Thickness (Pack of 4)	
		LH Rear Shackle Bracket Service Kit, One Side , Includes Key Nos. 10, 12-17			60259-002	0.047" Thickness	
	60961-683	266 Frame Rail		Not Shown	60937-000	Loctite (Red) Compound Tube	1
	60961-684	300 Frame Rail		31	64246-000	ABS Sensor Sleeve	2
		RH Rear Shackle Bracket Service Kit, One Side , Includes Key Nos. 11-17		32		Tie Rod Assembly, Includes Key Nos. 33-35 <i>See Selection Guide on Page 145</i>	1
	60961-685	266 Frame Rail		33		**7/8" Castle Nut	2
	60961-686	300 Frame Rail				Tie Rod End Service Kit, Axle Set , Includes LH & RH Tie Rod End Service Kits, see <i>Selection Guide on Page 145</i>	
10		LH Rear Shackle Bracket w/Bushing (Cast Part No. 64153-001)	1			LH Tie Rod End Service Kit , Includes Key Nos. 34, 36-37, see <i>Selection Guide on Page 145</i>	
	64175-001	266 Frame Rail				RH Tie Rod End Service Kit , Includes Key Nos. 35-37, see <i>Selection Guide on Page 145</i>	
	64176-001	300 Frame Rail		34		LH Tie Rod End, see <i>Selection Guide on Page 145</i>	1
11		RH Rear Shackle Bracket w/Bushing (Cast Part No. 64153-002)	1	35		RH Tie Rod End, see <i>Selection Guide on Page 145</i>	1
	64175-002	266 Frame Rail		36	22962-007	7/8" Flat Washer	2
	64176-002	300 Frame Rail		37	17800-004	Tie Rod Nut Cotter Pin	2
	60961-034	Shackle Bracket Service Kit, Axle Set , Includes Key Nos. 12-17		38	60238-001	1/2"-13 UNC Square Head Bolt	2
12	64159-000	Thrust Washer	4	39	60240-000	1/2"-13 UNC Hex Jam Nut	2
13	64794-000	Shackle Plate, <i>Replaces 64158-000</i>	4	40	59952-017	Top Axle Wrap, <i>Replaces 59952-013 & 59952-014</i>	2
14	58258-029	M20 x 2.5-6G 160 mm Hex Bolt, <i>Replaces 58258-008</i>	6	41	64722-003	Bottom Axle Wrap, <i>Replaces 64014-003 & 60622-003</i>	2
15	58246-029	M20 Flat Washer, <i>Replaces 58246-009</i>	12			U-bolt Clamp Group Service Kit, One Side , Includes Key Nos. 42-46	
16	58259-003	M20 x 2.5-6H Locknut, <i>Replaces 58259-001</i>	6		60961-185	12K•12.5K and 13.2K•14.6K 366 mm Ride Height, 4/4" Drop 338 mm Ride Height, 5.36" Drop	
17	60631-000	Shackle Stop Spacer	2		60961-186	12K•12.5K, 338 mm Ride Ht., 4/4" Drop	
	60952-XXX	STEERTEK Axle Assembly , Includes Key Nos. 18-24, 26-27, 29-30, 32-43. <i>contact Hendrickson Tech Services for Part Number</i>	1		60961-187	13.2K•14.6K, 338 mm Ride Ht., 4/4" Drop	
18		Axle & Kingpin Assembly, 70.9 KPI	1		60961-015	Top/Bottom Axle Wrap Liner Service Kit, One Side , Includes Key Nos. 42-43	
	64905-001	12K•12.5K, 338/366 mm Ride Height, 4/4" Drop, <i>Replaces 59924-001</i>		42	60508-000	Top Axle Wrap Liner	2
	64905-003	12K•12.5K, 338 mm Ride Ht., 5.36" Drop		43	59845-000	Bottom Axle Wrap Liner	2
	64905-005	13.2K•14.6K, 338/366 mm Ride Ht., 4/4" Drop, <i>Replaces 59924-005</i>		44		M20 x 2.5-6G U-bolt • Vehicles built with Pre'07 Engine, see <i>Page 144</i>	4
	64905-007	13.2K•14.6K, 338 mm Ride Ht., 5.36" Drop			65663-002	12K•12.5K and 13.2K•14.6K 366 mm Ride Ht., Bolt Length 275 mm	
19		LH Lower Steering Knuckle Assembly, Includes Key Nos. 25, 28	1		65663-003	12K•12.5K 338 mm Ride Ht., Bolt Length 225 mm	
a	58900-007	<190 Ackermann STD Hub, Includes Key No. 31			65663-004	13.2K•14.6K 338 mm Ride Ht., Bolt Length 255 mm	
a	58900-009	>190 Ackermann STD Hub, Includes Key No. 31		45	58246-018	M20 Flat Washer, <i>Replaces 58246-009</i>	8
b	58900-017	<190 Ackermann Unitized Hub					
b	58900-019	>190 Ackermann Unitized Hub					
20		RH Lower Steering Knuckle Assembly Includes Key Nos. 25, 28	1				
	58900-008	<190 Ackermann STD Hub, Includes Key No. 31					
	58900-010	>190 Ackermann STD Hub, Includes Key No. 31					
Not Shown	58900-018	<190 Ackermann Unitized Hub					
Not Shown	58900-020	>190 Ackermann Unitized Hub					
21		LH Upper Steering Knuckle Assembly Includes Key Nos. 25, 28	1				
	60903-011	338 mm Ride Ht.					
	60903-013	366 mm Ride Ht.					



Built prior to July 2011, post 2007 Engine

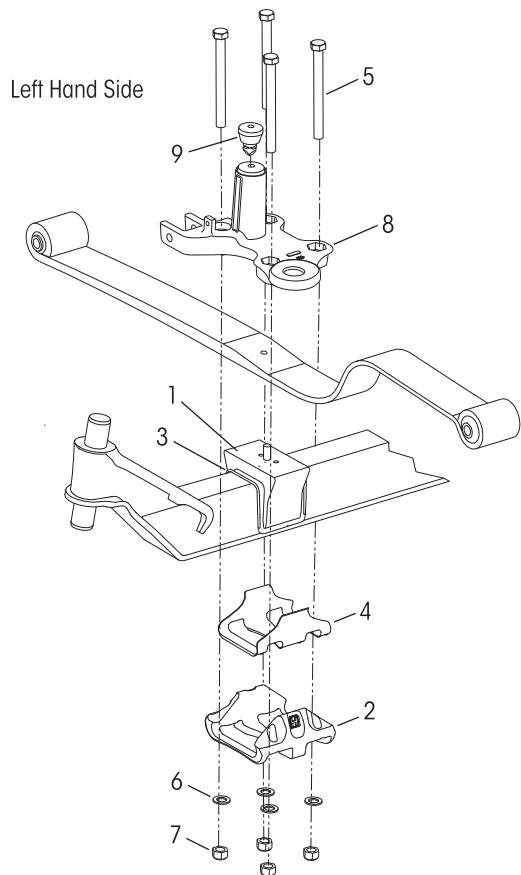
PARTS LISTS

KEY NO.	PART NO.	DESCRIPTION	VEHICLE QTY.
46	65072-001	M20 x 2.5-6H Nylocknut	8
47		LH Top Pad	1
	67266-001	• Vehicles built with Pre'07 Engine, see below 266 Frame Rail, Replaces 64517-001, 64172-001L, 64725-001L, 65493-001L	
	67300-001	300 Frame Rail, Replaces 64173-001L, 64173-001L, 64727-001L, 65605-001L	
48		RH Top Pad	1
	67266-002	• Vehicles built with Pre'07 Engine, see below 266 Frame Rail, Replaces 64517-002, 64172-002L, 64725-002L, 65493-002L	
	67300-002	300 Frame Rail, Replaces 64161-002, 64173-002L, 64727-002L, 65605-002L	
49	64080-000	Rubber Axle Stop	2
50		LH Dowel Pin	1
		• Vehicles equipped with dual HCVs, built after 03/05	
	57159-004	366 mm Ride Height, 66.8 mm	
		• Vehicles equipped with a single HCV built prior to 03/05	
	57159-007	338 mm Ride Height, 79.5 mm	
	57159-012	338 mm Ride Height, 85.9 mm	
	57159-009	366 mm Ride Height, 107.2 mm	
	57159-013	366 mm Ride Height, 115 mm	

KEY NO.	PART NO.	DESCRIPTION	VEHICLE QTY.
51		RH Dowel Pin	1
		• Vehicles equipped with dual HCVs built after 03/05	
	57159-004	366 mm Ride Height, 66.8 mm	
		• Vehicles equipped with a single HCV built prior to 03/05	
	57159-004	338 mm Ride Height, 66.8 mm	
	57159-008	366 mm Ride Height, 94.8 mm	
52		LH Front Axle Spacer	1
		• Vehicles equipped with dual HCVs built after 03/05	
	64318-028	366 mm Ride Height, 28 mm	
		• Vehicles equipped with a single HCV built prior to 03/05	
	64318-012	338 mm Ride Height, 12 mm	
	64318-020	338 mm Ride Height, 20 mm	
	64318-040	366 mm Ride Height, 40 mm	
	64318-048	366 mm Ride Height, 48 mm	
53		RH Front Axle Spacer	1
		• Vehicles equipped with dual HCVs built after 03/05	
	64318-028	366 mm Ride Height, 28 mm	
54	64166-000	Air Spring Adapter for Top Pad 13.2K•14.6K Only	2

■ Vehicles built with STEERTEK axle and Pre'07 Engine

Top Pad with Straight Hex Bolt



KEY NO.	PART NO.	DESCRIPTION	VEHICLE QTY.
1	59952-017	Top Axle Wrap	2
2	64722-003	Bottom Axle Wrap	2
		Straight Bolt Clamp Group Service Kit, One Side, Includes Key Nos. 3-7	
		• Vehicles equipped with dual HCVs, Built after 03/05	
		12K•12.5K and 13.2K•14.6K	
	60961-035	338 mm Ride Ht.	
	60961-036	366 mm Ride Ht.	
		• Vehicles equipped with a single HCV, Built prior to 03/05	
	60961-035	12K•12.5K, 338 mm Ride Ht.	
	60961-036	12K•12.5K, 366 mm Ride Ht.	
	60961-037	13.2K•14.6K, 338 mm Ride Ht.	
	60961-038	13.2K•14.6K, 366 mm Ride Ht.	
3	60508-000	Top Axle Wrap Liner	2
4	59845-000	Bottom Axle Wrap Liner	2
5		M20 x 2.5-6G Hex Bolt	8
		• Vehicles equipped with dual HCVs, Built after 03/05	
		12K•12.5K and 13.2K•14.6K	
	58258-007	338 mm Ride Ht., Bolt Length 220 mm	
	58258-011	366 mm Ride Ht., Bolt Length 250 mm	
		• Vehicles equipped with a single HCV, Built prior to 03/05	
		12K•12.5K	
	58258-009	338 mm Ride Ht., Bolt Length 230 mm	
	58258-010	366 mm Ride Ht., Bolt Length 260 mm	
		13.2K•14.6K	
	58258-007	338 mm Ride Ht., Bolt Length 220 mm	
	58258-011	366 mm Ride Ht., Bolt Length 250 mm	
6	58246-018	M20 Flat Washer, Replaces 58246-009	8
7	65072-001	M20 x 2.5-6H Nylocknut	8
8		Top Pad Assembly, (Pre '07 Engine Top Pads are obsolete. If top pad replacement is required, replace with current top pad and U-bolts, see Key Nos. 44,47,48)	2
9	64080-000	Rubber Axle Stop	2



■ Tie Rod Selection Guide

		Axle Model	Wheel Base	Tie Rod Assembly Part Number	Tie Rod End Part Number	Tie Rod End Service Kit No.		
12K / 12.5K	1 1/8" Threads	Vehicles built AFTER January 2014						
		STEERTEK NXT	>190"	76877-002	70995-001 (LH) 70995-002 (RH)	60961-734 (Axle Set) 60961-736 (LH) 60961-741 (RH)		
			<190"	76877-005				
		Vehicles built PRIOR TO January 2014						Tie Rod Assembly Replacement Part No.
		STEERTEK NXT STEERTEK	>190"	60239-002	♦ Tie rod end kits are no longer available for these assembly numbers, requires complete tie rod assembly replacement.	76877-002		
			<190"	60239-005		76877-005		

13.2K / 14.6K	1 1/4" Threads	Vehicles built AFTER January 2014					
		STEERTEK NXT	>190"	76879-001	76876-001 (LH) 76876-002 (RH)	60961-735 (Axle Set) 60961-742 (LH) 60961-743 (RH)	
			<190"	76879-002			
		Vehicles built UP TO January 2014					
		STEERTEK NXT STEERTEK	>190"	64006-001	64002-001 (LH) 64002-002 (RH)	60961-011 (Axle Set) 60961-027 (LH) 60961-028 (RH)	
			<190"	64006-002			

NOTE: ♦ Hendrickson supplies various tie rod assemblies. Locate the tie rod assembly part number on the tie rod tube to help determine the tie rod end kit or complete tie rod assembly replacement needed for service as shown in this Tie Rod Selection Guide.

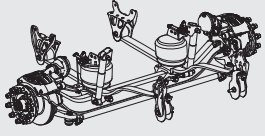
PARTS LISTS



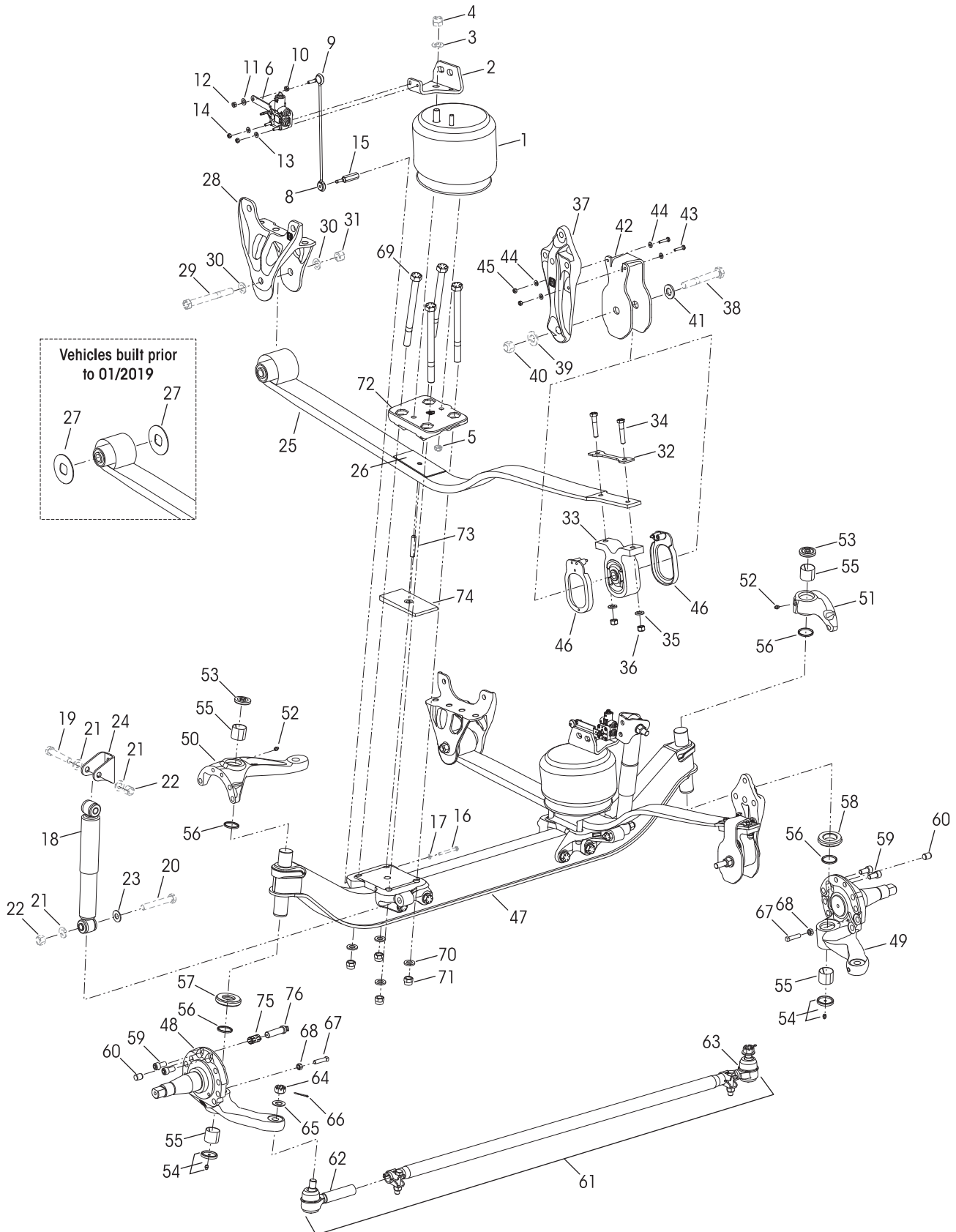
Motorhome Chassis

14.6K Capacity

Equipped with Air Disc Brakes



PARTS LISTS





KEY NO.	PART NO.	DESCRIPTION	VEHICLE QTY.
1	65790-002L	Air Spring 14.6K	2
2	66140-000	Upper Air Spring Bracket 14.6K	2
3		*¾" Flat Washer	2
4		*¾"-16 UNF Locknut	2
5		*½"-13 UNC Locknut	2
		Height Control Valve & Linkage Assembly	
	66277-001	Left Hand, Includes Key Nos. 6, 8-14	1
	66277-002	Right Hand, Includes Key Nos. 7-14	1
6	66414-001	Left Hand Height Control Valve	1
7	66414-002	Right Hand Height Control Valve	1
8	59428-001	HCV Linkage - 335 mm	2
9	59169-000	⅝"-18 UNC Stud	2
10	17491-011	⅝"-18 UNC Nut	2
11	22962-029	⅝" Hardened Washer	2
12	59016-000	⅝"-18 UNC Locknut	2
13	22962-028	¼" Hardened Washer	4
14	49983-000	¼"-20 UNC Locknut	4
15	59429-001	Lower Link Mount	2
16		*¾"-16 UNC x 3½" Hex Bolt	2
17		*¾" Flat Washer	2
18	58913-009L	Shock Absorber	2
19		*¾"-10 UNC Upper Shock Bolt	2
20		*¾"-10 UNC Lower Shock Bolt	2
21		*¾" Hardened Washer	6
22		*¾"-10 UNC Hex Locknut	4
23	22962-046	Shock Spacer (Flat Washer) - 0.118" Thick	2
24	59423-002	Shock Bracket	2
		***Leaf Spring Assembly, Includes Key Nos. 25-27, 32-36, 46	
	82598-000	Left Hand, <i>replaces 59930-031</i>	1
	82599-000	Right Hand, <i>replaces 59930-032</i>	1
25		**Leaf Spring with Spring Eye Bushing	2
26		**Galvanized Liner	2
27	67495-000	***Thrust Washer-Front Hanger, <i>only for vehicles prior to 01/2019, Replaces 66264-001</i>	4
28	64488-000	Front Hanger	2
29		*M20 Bolt	2
30		*M20 Washer	4
31		*M20 Locknut	2
	60961-002	Rear Spring Mount Service Kit, One Side, Includes Key Nos. 32-36	
32	58920-000	Spring End Plate	2
33	58918-000	Rear Spring Mount	2
34	30970-011	½"-20 UNF x 2¼" Hex Bolt	4
35	22962-014	½" Hardened Washer	4
36	17700-034	½"-20 UNF Nylon Locknut	4
	59829-001	Rear Hanger Assembly, Includes Key Nos. 37, 41-45	2
37	59825-000	Rear hanger	2
38		*¾"-10 UNC Hex Bolt	2
39		*¾" Flat Washer	2
40		*¾"-10 UNC Locknut	2
	60961-016	Rear Hanger Clamp Service Kit, One Side, Includes Key Nos. 41-46	
41	22962-033	¾" Wide Washer	2
42	59830-001	Rear Hanger Clamp	2
43	56935-001	¼"-20 UNC x 1¼" Hex Bolt	4
44	22962-028	¼" Hardened Washer	8
45	49983-000	¼"-20 UNC Locknut	4
46	59346-001	Thrust Washer	4

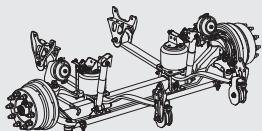
KEY NO.	PART NO.	DESCRIPTION	VEHICLE QTY.
	68977-006	STEERTEK NXT Axle Assembly, Includes Key Nos. 47-68	1
47	68976-002M	Axle & Kingpin Assembly	1
		Lower Steering Knuckle Assembly, Includes Key Nos. 55-56, 60	
48	58900-427	Left Hand	1
49	58900-428	Right Hand	1
		Upper Steering Knuckle Assembly, Includes Key Nos. 55-56	
50	60903-404	Left Hand	1
51	60904-402	Right Hand	1
		Kingpin Bushing and Bearing Service Kits	
	60961-628	Axle Set, Includes Kit Nos. 60961-629 & -630	
	60961-629	Left Hand with Composite Thrust Bearing, Includes Key Nos. 52-57, 59, Loctite	
	60961-630	Right Hand with Roller Thrust Bearing, Includes Key Nos. 52-56, 58-59, Loctite	
52	33117-000	Grease Zerk	2
53	68687-003	Grease Cap Assembly, Upper	2
54	68687-002	Grease Cap Assembly, Lower	2
55	58909-001	Kingpin Bushing	4
		Thrust Bearing Service Kits	
	60961-631	Axle Set, Includes Kit Nos. 60961-632 & -633	
	60961-632	Left Hand Composite Thrust Bearing, Includes Key Nos. 56-57, 59, Loctite	
	60961-633	Right Hand Roller Thrust Bearing, Includes Key Nos. 56, 58-59, Loctite	
56	68731-000	Kingpin Seal	4
57	59828-000	Left Hand Composite Thrust Bearing	1
58	64256-000L	Right Hand Roller Thrust Bearing	1
59	60236-001	¾" Socket Head Cap Screw	4
Not Shown	60937-000	Loctite® (Red) Compound Tube	1
60	64246-000	ABS Sensor Sleeve	2
61		Tie Rod Assembly, Includes Key Nos. 62-64 <i>See Selection Guide on Page 150</i>	1
	60961-XXX	Tie Rod End Service Kits, see Selection Guide on Page 150	
		Axle Set, Includes Left Hand & Right Hand Kits	
		Left Hand, Includes Key Nos. 62, 64-66	
		Right Hand, Includes Key Nos. 63-66	
		Tie Rod Ends, Includes Key No. 64, <i>see Selection Guide on Page 150</i>	
62		Left Hand	1
63		Right Hand	1
64		**⅞" Castle Nut	2
65	22962-007	⅞" Hardened Washer	2
66	17800-004	Cotter Pin	2
	60961-069	Stop Bolt Service Kit, One Side, Includes Key Nos. 67-68	
67	60238-001	½"-13 UNC Square Head Bolt	2
68	60240-000	½"-13 UNC Hex Jam Nut	2
	60961-113	Clamp Group Hardware Kit, Axle Set, Includes Key Nos. 69-71	
69	68715-353	¾"-10 UNC x 9" Hex Bolt	8
70	22962-001	¾" Hardened Washer	8
71	17700-033	¾"-10 UNC-2B Nylocknut	8
72	66191-000	Top Pad - 14.6K	2
73	57159-004	½" Dowel Pin - 2.63"	2
74	68861-000	Caster Wedge	2
75	A-22930-4	ABS Sensor	2
76	64550-000	ABS Sensor Clip	2
		Air Disc Brake Assembly, <i>see Page 151 for Contents</i>	2



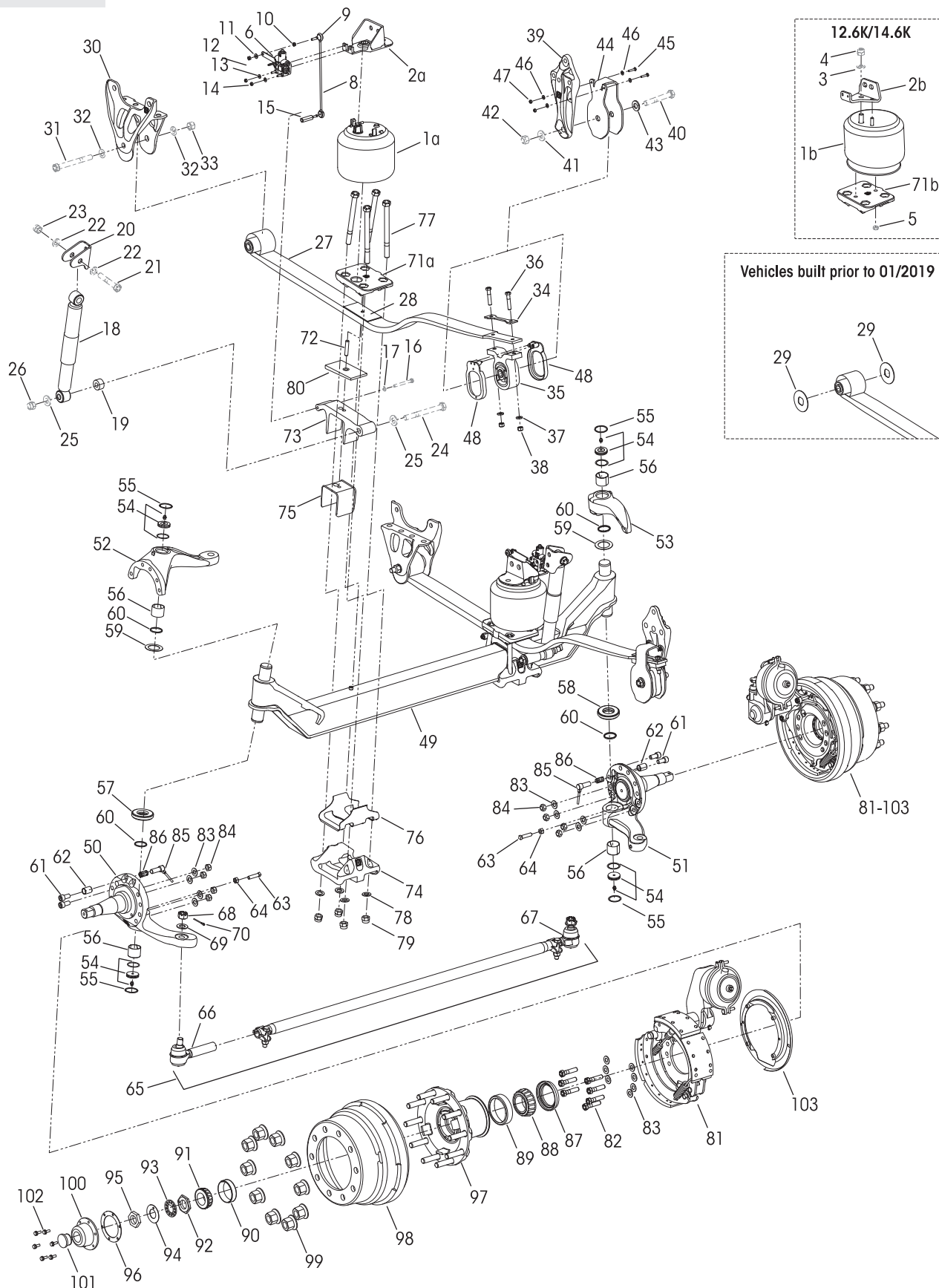
Motorhome Chassis

10.5K • 12K • 12.6K • 14.6K Capacity

Equipped with Drum Brakes



PARTS LISTS





KEY NO.	PART NO.	DESCRIPTION	VEHICLE QTY.
1		Air Spring	2
a	66349-002L	10.5K • 12K	
b	65790-002L	12.6K • 14.6K	
2		Upper Air Spring Bracket	2
a	60850-002	10.5K • 12K	
b	66140-000	12.6K • 14.6K	
3		*¾" Flat Washer	2
4		*¾"-16 UNF Locknut	2
5		*½"-13 UNC Locknut	2
		Height Control Valve & Linkage Assembly	
	66277-001	Left Hand, Includes Key Nos. 6, 8-14	1
	66277-002	Right Hand, Includes Key Nos. 7-14	1
		Height Control Valve	
6	66414-001	Left Hand	1
7	66414-002	Right Hand	1
8	59428-001	HCV Linkage - 335 mm	2
9	59169-000	⅝"-18 UNC Stud	2
10	17491-011	⅝"-18 UNC Nut	2
11	22962-029	⅝" Hardened Washer	2
12	59016-000	⅝"-18 UNC Locknut	2
13	22962-028	¼" Hardened Washer	4
14	49983-000	¼"-20 UNC Locknut	4
15	59429-001	Lower Link Mount	2
16		*⅝"-16 UNC x 3½" Hex Bolt	2
17		*⅝" Flat Washer	2
18		Shock Absorber, <i>Replaces 66153-001</i>	2
	66153-006	10.5K • 12K • 12.6K	
	66153-007	14.6K	
19	59946-001	Shock Spacer	2
20	66589-002	Shock Bracket	2
21		*¾" Upper Shock x 3¾" Bolt	2
22		*¾" Upper Shock Washer	4
23		*¾" Upper Shock Locknut	2
24		*¾" Lower Shock x 7½" Bolt	2
25		*¾" Lower Shock Washer - 2" Wide	4
26		*¾" Lower Shock Locknut	2
		***Leaf Spring Assembly, Includes Key Nos. 27-29, 34-38, 48	
	82598-000	Left Hand, <i>replaces 59930-031</i>	1
	82599-000	Right Hand, <i>replaces 59930-032</i>	1
27		**Leaf Spring with Spring Eye Bushing	2
28		**Galvanized Liner	2
29	67495-000	***Thrust Washer-Front Hanger, <i>only for vehicles prior to 01/2019, Replaces 66264-001</i>	4
30	64488-000	Front Hanger	2
31		*M20 x 170 mm Bolt	2
32		*M20 Washer	4
33		*M20 Locknut	2
	60961-002	Rear Spring Mount Service Kit, One Side, Includes Key Nos. 34-38	
34	58920-000	Spring End Plate	2
35	58918-000	Rear Spring Mount	2
36	30970-011	½"-20 UNF x 2¼" Hex Bolt	4
37	22962-014	½" Hardened Washer	4
38	17700-034	½"-20 UNF Nylon Locknut	4
	59829-001	Rear Hanger Assembly, Includes Key Nos. 39, 43-47	2
39	59825-000	Rear hanger	2
40		*¾"-10 UNC x 4¾" Hex Bolt	2
41		*¾" Flat Washer	2
42		*¾"-10 UNC Locknut	2
	60961-016	Rear Hanger Clamp Service Kit, One Side, Includes Key Nos. 43-48	
43	22962-033	¾" Wide Washer	2
44	59830-001	Rear Hanger Clamp	2
45	56935-001	¼"-20 UNC x 1¼" Hex Bolt	4
46	22962-028	¼" Hardened Washer	8
47	49983-000	¼"-20 UNC Locknut	4
48	59346-001	Thrust Washer	4

KEY NO.	PART NO.	DESCRIPTION	VEHICLE QTY.
		STEERTEK Axle Assembly, Includes Key Nos. 49-76, 81	1
	64502-044	10.5K • 12K • 12.6K with 15 x 4 Wheel Ends, <i>Replaces 64502-041</i>	
	64502-045	14.6K with 16.5 x 5 Wheel Ends, <i>Replaces 64502-042</i>	
49		Axle & Kingpin Assembly	1
	64905-001	10.5K • 12K • 12.6K	
	64905-005	14.6K	
		Lower Steering Knuckle Assembly, Includes Key Nos. 56, 60, 62	
50	58900-027	Left Hand	1
51	58900-028	Right Hand	1
		Upper Steering Knuckle Assembly, Includes Key Nos. 56, 60	
52	60903-034	Left Hand, <i>Replaces 60903-004</i>	1
53	60904-002	Right Hand	1
		Kingpin Bushing and Bearing Service Kits	
	60961-040	Axle Set, Includes Kit Nos. 60961-009 & -039	
	60961-009	Left Hand with Composite Thrust Bearing, Includes Key Nos. 54-57, 59-61 & Loctite	
	60961-039	Right Hand with Roller Thrust Bearing, Includes Key Nos. 54-56, 58-61 & Loctite	
54	59156-000	Grease Cap Assembly	4
55	58937-000	Retaining Ring	4
56	58909-000	Kingpin Bushing	4
		Thrust Bearing Service Kits	
	60961-043	Axle Set, Includes Kit Nos. 60961-041 & -042	
	60961-041	Left Hand Composite Thrust Bearing, Includes Key Nos. 57, 59-61 & Loctite	
	60961-042	Right Hand Roller Thrust Bearing, Includes Key Nos. 58-61 & Loctite	
57	59828-000	Left Hand Composite Thrust Bearing	1
58	64256-000L	Right Hand Roller Thrust Bearing	1
59		Kingpin Shim	As Req.
	60259-001X	0.005" Thickness (Pack of 4)	
	60259-002	0.047" Thickness	
60	58910-001	Kingpin Seal, <i>Replaces 58910-000</i>	4
61	60236-001	⅝"-11 UNC Socket Head Cap Screw	4
	60937-000	Loctite (Red) Compound Tube (Not Shown)	1
62	64246-000	ABS Sensor Sleeve	2
	60961-069	Stop Bolt Service Kit, One End, Includes Key Nos. 63-64	
63	60238-001	½"-13 UNC x 2" Square Head Bolt	2
64	60240-000	½"-13 UNC Hex Jam Nut	2
65		Tie Rod Assembly, Includes Key Nos. 66-68 <i>See Selection Guide on Page 150</i>	1
	60961-XXX	Tie Rod End Service Kits <i>See Selection Guide on Page 150</i>	
		Axle Set, Includes Left Hand & Right Hand Kits	
		Left Hand, Includes Key Nos. 66, 68-70	
		Right Hand, Includes Key Nos. 67-70	
		Tie Rod Ends, Includes Key No. 68 <i>See Selection Guide on Page 150</i>	
66		Left Hand,	1
67		Right Hand	1
68		**⅞" Castle Nut	2
69	22962-007	⅞" Hardened Washer	2
70	17800-004	Cotter Pin	2
71		Top Pad	2
a	66144-000	10.5K • 12K	
b	66191-000	12.6K • 14.6K	
72	57159-004	½" Dowel Pin - 2.63"	2
73	59952-028	Top Axle Wrap, <i>Replaces 59952-001</i>	2
74	64723-005	Bottom Axle Wrap	2



Motorhome Chassis – Equipped with Drum Brakes

PARTS LISTS

KEY NO.	PART NO.	DESCRIPTION	VEHICLE QTY.
		Top/Bottom Axle Wrap Liner Service Kit, One Side, Includes Key Nos. 75-79	
	60961-164	• For all vehicles built after 02/07	
	60961-013	• For vehicles built prior to 02/07	
	60961-164	10.5K • 12K • 12.6K	
	60961-164	14.6K	
75	59449-000	Top Axle Wrap Liner	2
76	59845-000	Bottom Axle Wrap Liner	2
		Clamp Group Hardware Kit, Axle Set, Includes Key Nos. 77-79	
	60961-113	• For all vehicles built after 02/07	
	60961-150	• For vehicles built prior to 02/07	
	60961-113	10.5K • 12K • 12.6K	
	60961-113	14.6K	
77		¾"-10 UNC x 9" Hex Bolt	8
	68715-353	• For all vehicles built after 02/07, Replaces 58917-013	
	58917-016	• For vehicles built prior to 02/07	
	68715-353	10.5K • 12K • 12.6K	
	68715-353	14.6K, Replaces 58917-013	
78	22962-001	¾" Hardened Washer	8
79	17700-033	¾"-10 UNC-2B Nylocknut	8
80	68861-000	Caster Wedge	2
81		****Meritor Drum Brake Assembly, AIRTEK 10.5K, 12K, 12.6K, 15" x 4"	
		Left Hand Part No. QP4-1540-3085	1
		Right Hand Part No. QP4-1540-3086	1
		AIRTEK 14.6K, 16.5" x 5"	
		Left Hand Part No. QP4-1655-893	1
		Right Hand Part No. QP4-1655-894	1
82	32043-002	⅝"-11 UNC x 2¾" Hex Bolt	14
83	22962-036	⅝" Hardened Washer	22
84	47764-000	⅝"- UNC Locknut	8

KEY NO.	PART NO.	DESCRIPTION	VEHICLE QTY.
85	64547-000	ABS Sensor	2
86	64550-000	ABS Sensor Clip	2
87		****Federal Mogul Wheel Seal Kit No. M380001TXO	2
		****Timken Inner Bearing One Side, Set No. 413, Includes Key Nos. 88-89	
88		Inner Bearing Cone	2
89		Inner Bearing Cup	2
		****Timken Outer Bearing One Side, Set No. 406, Includes Key Nos. 90-91	
90		Outer Bearing Cup	2
91		Outer Bearing Cone	2
92		****Meritor 1½"-12 UNF Inner Wheel Bearing Adj. Nut Part No. 1227-U-541	2
93		****Meritor ¾" Wheel End Lock Ring Part No. 1229-G-475	2
94		****Meritor 0.05" Wheel End Lock Washer Part No. 1229-F-474	2
95		****Meritor Wheel End Outer Nut No. 1227-B-106	2
96		****Stemco Hubcap Gasket Part No. 330-3024	2
97		****Webb Hub Part No. 25201-1T	2
98		****Webb Drum AIRTEK 10.5K, 12K, 12.6K, Part No. 65545B AIRTEK 14.6K, Part No. 65163B	2
99		*M22 x 1.5 Two-piece Wheel Nut	20
100		****Stemco Hubcap Assembly - 6", Kit No. 343-4346, Includes Key No. 70	2
101		**Rubber Plug	2
102	64545-002	⅝"-18 UNC x ¾" Hex Bolt with Retainer Washer (Hubcap Bolts), Replaces 64545-001	12
103		**Meritor Dust Shield AIRTEK 10.5K, 12K, 12.6K, Part No. 3264-R-1292 AIRTEK 14.6K, Part No. 3264-N-118	2

■ Tie Rod Selection Guide

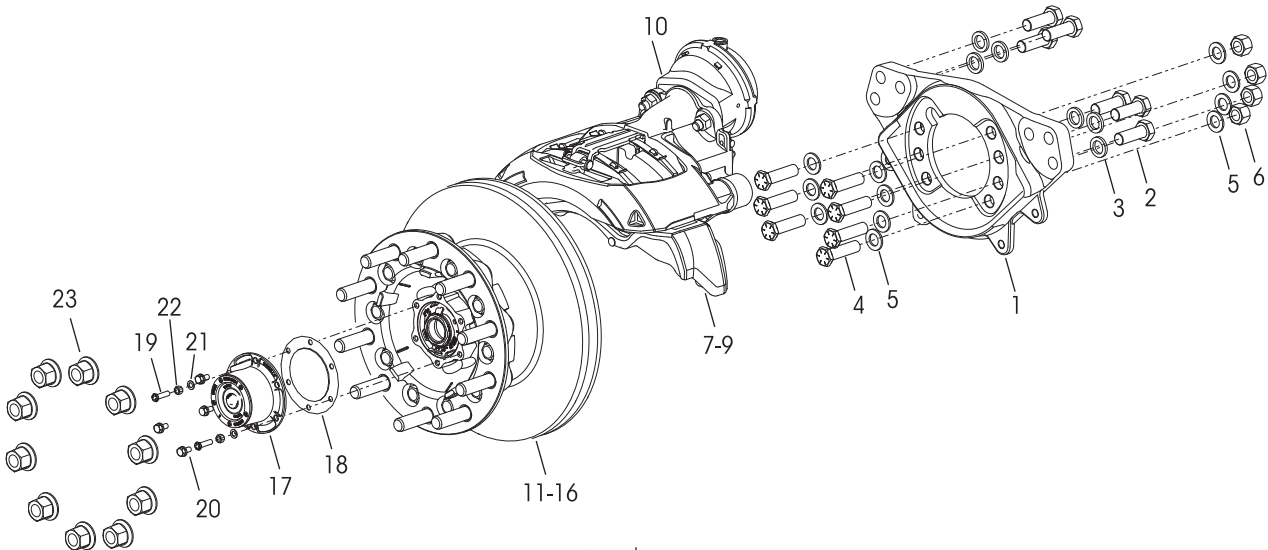
	Tie Rod Assembly Part Number	Tie Rod End Part Number	Tie Rod End Service Kit No.
10.5K/12K/12.6K	Vehicles built after November 2014		
	Straight Tie Rods – 1 1/8" Threads		
	76877-003	70995-001 (LH) 70995-002 (RH)	60961-734 (Axle Set) 60961-736 (LH) 60961-741 (RH)
	Vehicles built PRIOR TO November 2014		
60239-003	♦ Tie rod end kits are no longer available for these assembly numbers, requires complete tie rod assembly replacement.		Tie Rod Assembly Replacement Part No. 76877-003

	Straight Tie Rods – 1 1/4" Threads			Tie Rod Assembly Replacement Part No.
14.6K	64006-003	64002-001 (LH) 64002-002 (RH)	60961-011 (Axle Set) 60961-027 (LH) 60961-028 (RH)	76879-003

NOTE: ♦ Hendrickson supplies different tie rod assemblies and each type may take a different replacement tie rod end kit to service. Prior to ordering, find the part number on the tie rod tube, refer to Hendrickson Publication No. SEU-0223 or contact Hendrickson Truck Parts for corresponding Kit Numbers.



Motorhome Chassis – Equipped with Air Disc Brakes



KEY NO.	PART NO.	DESCRIPTION	VEHICLE QTY.	KEY NO.	PART NO.	DESCRIPTION	VEHICLE QTY.
1		****Bendix® Torque Plate Assembly Left Hand Part No. K114010 Right Hand Part No. K114011	1 1	12		****Conmet Inner Bearing Cup and Cone Assembly, Part No. 10041905	
2		M20 x 2.5 x 60 mm Caliper Bolt	12	13		****Conmet Outer Bearing Cup and Cone Assembly, Part No. 10041906	
3		M20 Flat Washer	12	14		****Conmet Wheel Seal and Spacer Kit, Part No. 10081518	
4	80135-002	¾"-10 UNC x 2¾" Hex Bolt	14	15		****Conmet Seal Kit, Part No. 10045885	
5	22962-001	¾" Hardened Washer	22	16		****Conmet Rotor Service Kit, Part No. 10082074	
6	49842-000	¾"-10 UNC Locknut	8	17		****Stemco Hubcap Assembly - 6", Kit No. 343-4346, Includes Key No. 18	2
7		****Bendix Brake Caliper/Carrier Assembly Left Hand Part No. K097851SC Right Hand Part No. K097850SC	1 1	18		****Stemco Hubcap Gasket Part No. 330-3024	2
8		****Bendix Brake Pad Kit No. K129276, Axle Set (Includes hardware)		19	64545-002	⅝"-18 UNC x ¾" Hex Bolt with Retainer Washer (Hubcap Bolts)	8
9		****Bendix Shear Adapter for the Adjuster, Part No. 802455		20	10061-0004	⅝"-18 UNC x 2" Stud, Socket Head Set Screw (Hub Cover Bracket)	4
10		****Bendix Air Brake Chamber Part No. K028022 ****Conmet® Hub and Rotor Assembly Part No. 10083194, Includes Key Nos. 11-16		21	17497-015	⅝" Washer	4
11		****Conmet Hub Bearing Rebuild Kit, Part No. 10081727		22	6005CH2HB	⅝"-18 UNC Hex Nut	4
				23		*M22 x 1.5 Two-piece Wheel Nut	20

NOTES: * Not supplied by Hendrickson, used for reference only. Contact the vehicle manufacturer for more information.

** Item included in assembly only, part not sold separately.

*** Thrust washers (Part No. 67495-000) are only required for previous production vehicles equipped with leaf spring assemblies (Part Nos. 59930-031 or 59930-032). New production and aftermarket replacement leaf spring assemblies as of 01/2019 (Part Nos. 82598-000 and 82599-000) do not require thrust washers.

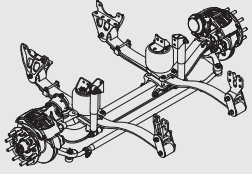
**** Not supplied by Hendrickson for aftermarket service purposes. Description and part number listed for reference only. For more information and assistance with service, maintenance and rebuild instructions on these components see below component manufacturers:

- Bendix 1-800-AIR-BRAKE, customer service option 1, Tech Team, option 2. Online part number support go to: www.bendix.com/en/servicesupport/partnumbersearch/partnumbersearch_1.jsp
Online technical support training go to: www.brake-school.com
- Conmet Technical and Part Support 800.547.9473 or go to www.conmet.com/general/literature, go to Wheel End Literature, scroll down to Service Manual, Literature No. 10084476
- Federal Mogul Technical and Part Support 800.325.8886 or go to www.fme-cat.com
- Meritor Technical and Part Support 888.725.9355, or for parts www.meritorpartsexpress.com and for technical support www.meritorbullpen.com
- Stemco Technical and Part Support 800.527.8492 or go to www.stemco.com
- Timken at Technical and Part Support 866.984.6536 or go to www.timken.com/resources or Timken YouTube series, Timken Tricks of the Trade (Installing a Timken® Set-Right® Bearing)
- WABCO Technical and Part Support 855.228.3203 or go to www.wabco-auto.com/aftermarket-services/inform-product-catalog
- Webb technical and part support 800.633.3256 or online at www.webbwheel.com

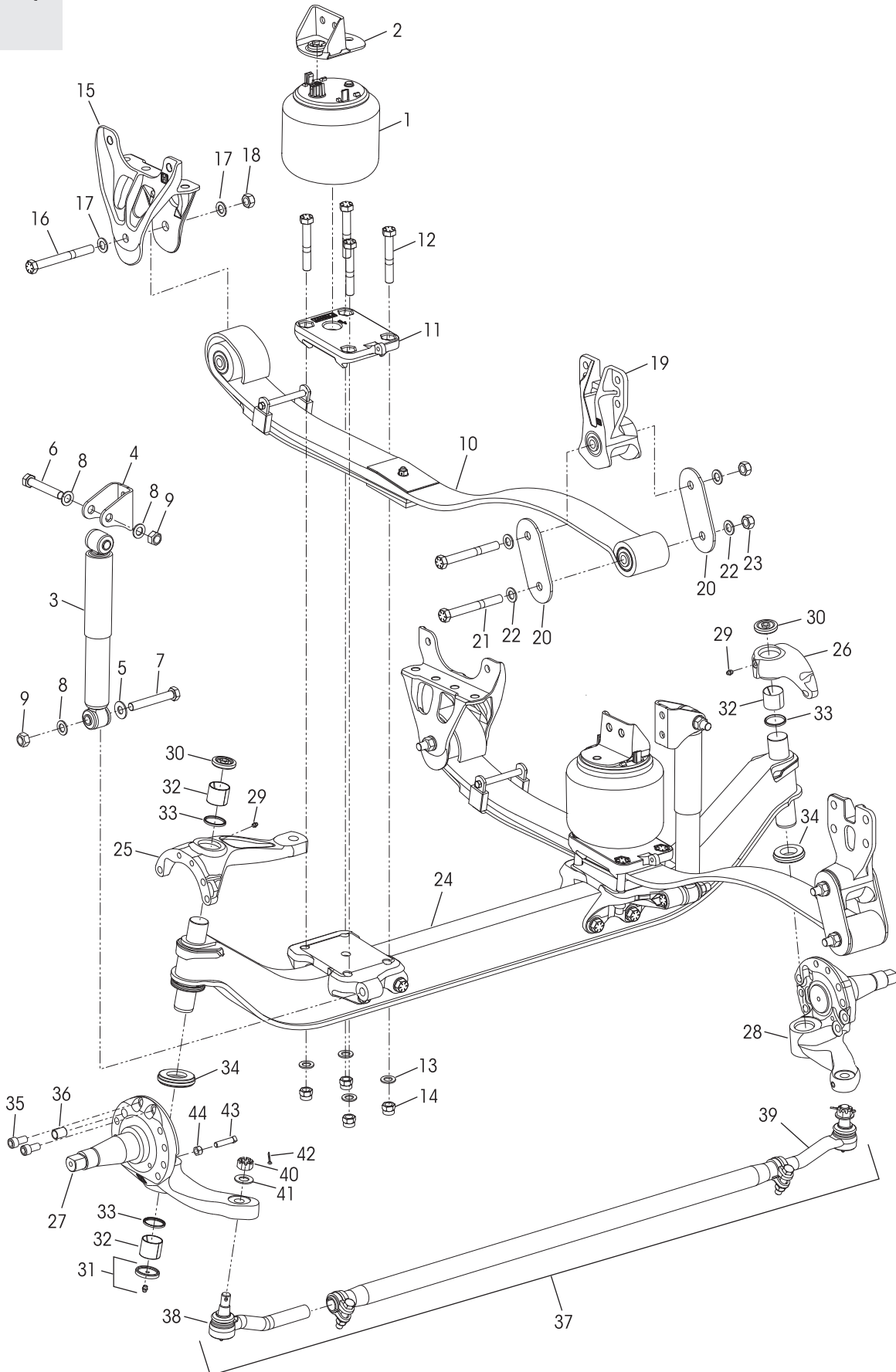
Hendrickson AIRTEK Ride Height Gauges for Spartan Motorhome Chassis, order online www.hendrickson-intl.com/Lifform
Literature. No. 45745-289 – 10.5K • 12K Capacity • Literature. No. 45745-288 – 12.6K • 14.6K Capacity



Motorhome Chassis



PARTS LISTS





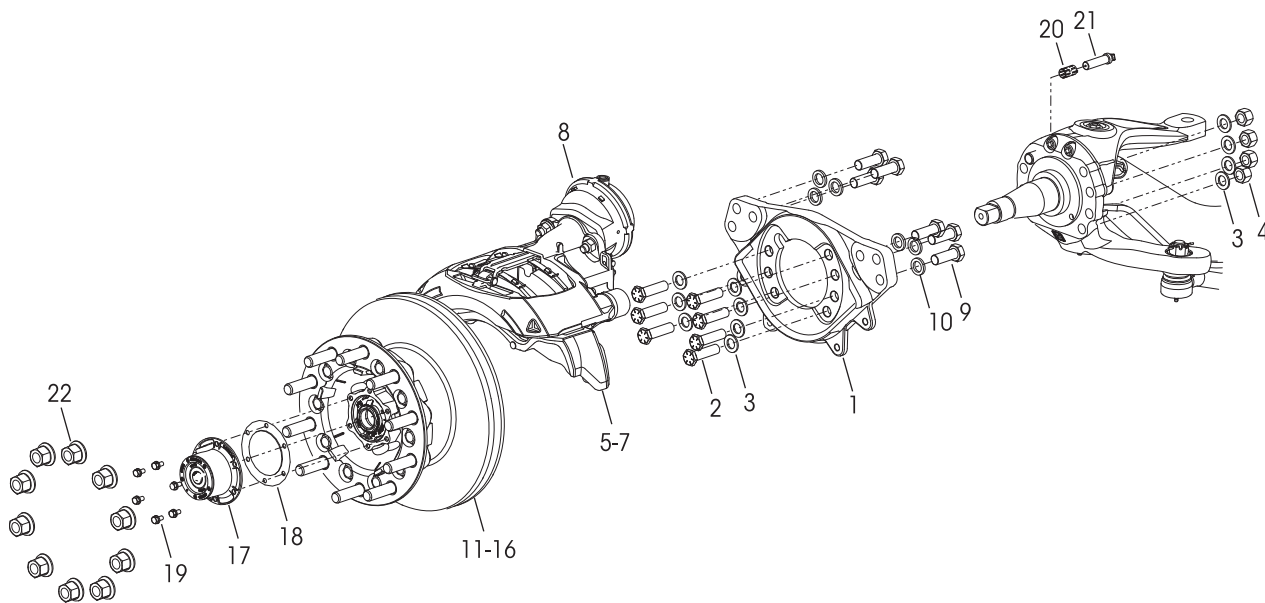
KEY NO.	PART NO.	DESCRIPTION	VEHICLE QTY.	KEY NO.	PART NO.	DESCRIPTION	VEHICLE QTY.
1	64075-002L	Air Spring	2		68977-005	Axle Assembly, Includes Key Nos. 24-42	1
2	60850-001	Air Spring Bracket	2	24	68976-004M	Axle & Kingpin Assembly	1
3	58913-009L	Shock Absorber	2			Upper Steering Knuckle Assembly, Includes Key Nos. 29-30, 32-33	
4	59423-002	Upper Shock Bracket	2	25	60903-478	Left Hand	1
	34013-296	Shock Absorber Fasteners Service Kit, One Side , Includes Key Nos. 5-9		26	60904-402	Right Hand	1
5	22962-046	Shock Spacer	2			Lower Steering Knuckle Assembly, Includes Key Nos. 31-33, 36, 43-44	
6	68716-369	¾"-16 UNF x 4½" Upper Shock Bolt	2	27	58900-431	Left Hand	1
7	68716-370	¾"-16 UNF x 5" Lower Shock Bolt	2	28	58900-432	Right Hand	1
8	22962-001	¾" Flat Washer	6		60961-630	Kingpin Bushing and Roller Bearing Service Kit , Includes Key Nos. 29-33, 34-35 & Loctite	
9	30191-000	¾"-16 UNF Locknut	4	29	33117-000	Grease Zerk	2
10	53487-000	Leaf Spring Assembly	2	30	68687-003	Upper Grease Cap Assembly	2
11		Top Pad		31	68687-002	Lower Grease Cap Assembly	2
	64516-001	Left Hand	1	32	58909-001	Kingpin Bushing	4
	64516-002	Right Hand	1		60961-633	Roller Thrust Bearing Service Kit , Includes Key Nos. 33-35 & Loctite	
		Top Pad Fasteners Service Kit , Includes Key Nos. 12-14		33	68731-000	Kingpin Seal	4
	34013-236	Axle Set		34	64256-000L	Roller Thrust Bearing	2
	34013-297	One Side		35	60236-001	⅝" Socket Head Cap Screw	4
12	21867-036	¾"-16 UNF x 5" Bolt	8	Not Shown	60937-000	Loctite® (Red) Compound Tube	1
13	22962-001	¾" Flat Washer	8	36	64246-000	ABS Sensor Sleeve	2
14	17700-035	¾"-16 UNF Nylocknut	8	37	76878-002	Tie Rod Assembly, Drop, Includes Key Nos. 38-40	1
15	64488-002	Front Hanger	2			Tie Rod End Service Kits	
		Front Hanger Fasteners Service Kit , Includes Key Nos. 16-18			60961-737	Axle Set , Includes Kits Nos. 60961-739 & -740	
	64105-015	Axle Set			60961-739	Left Hand , Includes Key Nos. 38, 40-42	
	34013-298	One Side			60961-740	Right Hand , Includes Key Nos. 39-42	
16	21867-006	¾"-16 UNF x 7" Bolt	2			Tie Rod End, Includes Key No. 40	
17	22962-001	¾" Flat Washer	4	38	76875-001	Left Hand	1
18	30191-000	¾"-16 UNF Locknut	2	39	76875-002	Right Hand	1
19	66510-001	Rear Shackle Bracket Assembly	2	40		*⅞" Castle Nut	2
20	64314-000	Shackle Plate	4	41	22962-007	⅞" Flat Washer	2
		Rear Shackle Bracket Fasteners Service Kit , Includes Key Nos. 21-23		42	17800-004	Tie Rod Nut Cotter Pin	2
	60961-872	Axle Set			60961-069	Stop Bolt Service Kit, One Side , Includes Key Nos. 43-44	
	34013-299	One Side		43		*½"-13 UNC Square Head Bolt	2
21	21867-023	¾"-16 UNF x 6½" Bolt	4	44		*½"-13 UNC Hex Jam Nut	2
22	22962-001	¾" Flat Washer	8				
23	30191-000	¾"-16 UNF Locknut	4				

NOTE: * Item included in kit / assembly only, part not sold separately.



**Motorhome Chassis
Equipped with Air Disc Brakes**

PARTS LISTS



KEY NO.	PART NO.	DESCRIPTION	VEHICLE QTY.
1		*Bendix® Torque Plate Assembly Left Hand Part No. K114010 Right Hand Part No. K114011	1 1
2	80135-002	3/4"-10 UNC x 2.75" Torque Plate Mounting Bolt	14
3	22962-001	3/4" Torque Plate Mounting Flat Washer	22
4	49842-000	3/4"-10 UNC Hex Nut	8
5		*Bendix Brake Caliper/Carrier Assembly Left Hand Part No. K097851SC Right Hand Part No. K097850SC	1 1
6		*Bendix Brake Pad Kit No. K129276, Axle Set (Includes hardware)	
7		*Bendix Shear Adapter for the Adjuster, Part No. 802455	
8		*Bendix Air Brake Chamber Part No. K028226	
9	SA-13200-2	M20 x 2.5 x 60 mm Caliper Bolt	12
10	58246-007	M20 Flat Washer	12
		*Conmet® Hub and Rotor Assembly Part No. 10083194, Includes Key Nos. 11-16	2

KEY NO.	PART NO.	DESCRIPTION	VEHICLE QTY.
11		*Conmet Hub Bearing Rebuild Kit, Part No. 10081727	
12		*Conmet Inner Bearing Cup and Cone Assembly, Part No. 10041905	
13		*Conmet Outer Bearing Cup and Cone Assembly, Part No. 10041906	
14		*Conmet Wheel Seal and Spacer Kit, Part No. 10081518	
15		*Conmet Seal Kit Part No. 10045885	
16		*Conmet Rotor Service Kit Part No. 10082074	
17		*Stemco® Hub Cap Part No. 343-4346 Includes Key No. 18	2
18		*Stemco Hub Cap Gasket Part No. 330-3024	2
19	64545-002	5/16"-18 UNC x 3/4" Hub Cap Hex Bolt with Retaining Washer	12
20	A-22930-4	ABS Sensor	2
21	64550-000	Sensor Clip	2
22		**Lug Nuts	20

NOTES: * Not supplied by Hendrickson for aftermarket service purposes. Description and part number listed for reference only. For more information and assistance with service, maintenance and rebuild instructions on these components see below component manufacturers:

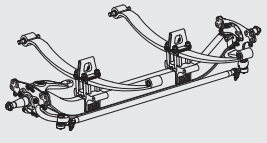
- Bendix 1-800-AIR-BRAKE, customer service option 1, Tech Team, option 2. Online part number support go to: www.bendix.com/en/servicessupport/partnumbersearch/partnumbersearch_1.jsp
Online technical support training go to: www.brake-school.com
- Conmet Technical and Part Support 800.547.9473 or go to www.conmet.com/general/literature, go to Wheel End Literature, scroll down to Service Manual, Lit No. 10084476
- Stemco Technical and Part Support 800.527.8492 or go to www.stemco.com

** Not supplied by Hendrickson, used for reference only. Hendrickson is not responsible for components supplied by the vehicle manufacturer. For assistance with maintenance and rebuild instructions on these components see vehicle manufacturer.

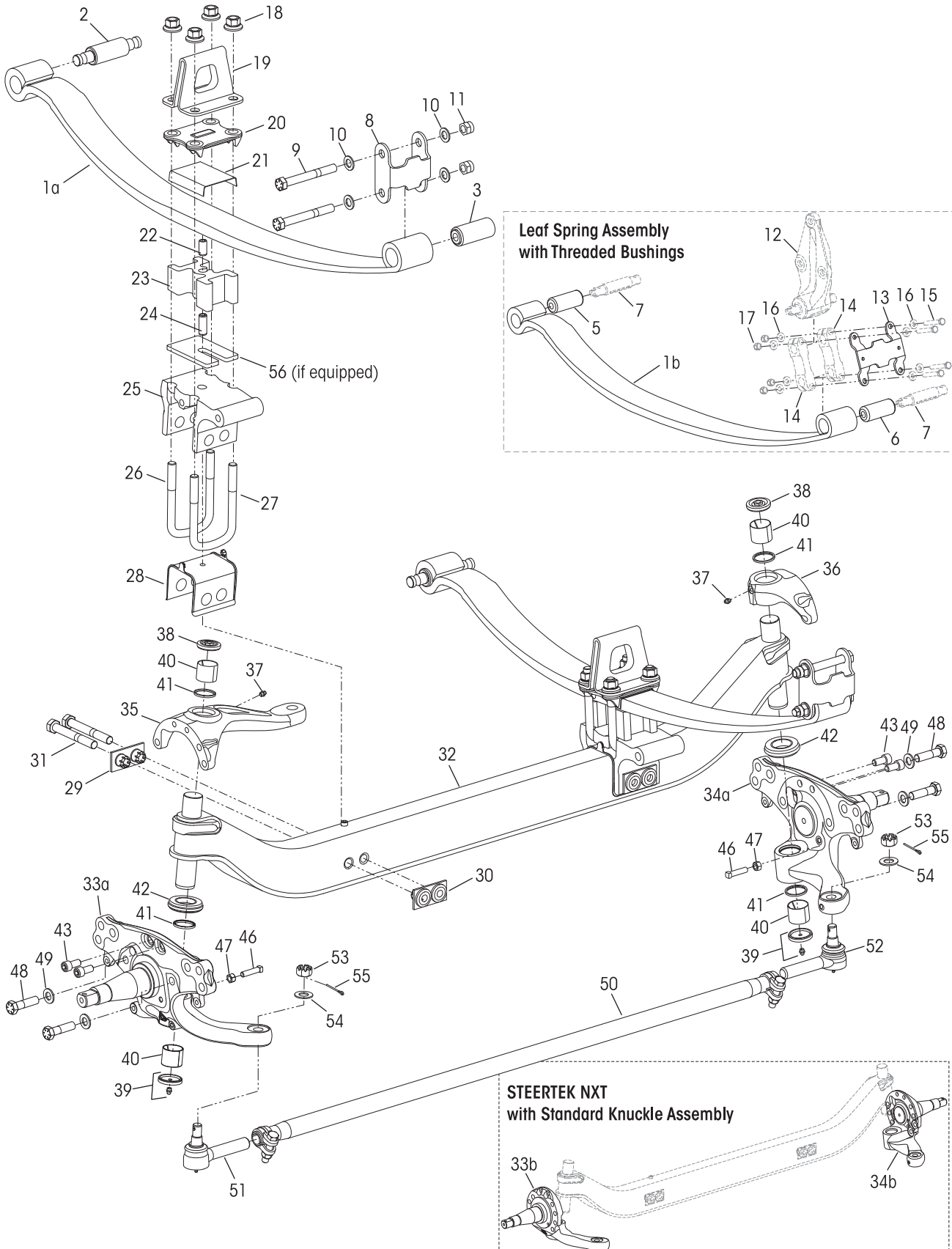




Leaf Spring Assembly with Rubber / Threaded Bushings 12.5K • 13.2K Capacity
Equipped with Integrated Brake Knuckle (IBK) or Standard Knuckle



PARTS LISTS





KEY NO.		PART NO.	DESCRIPTION	VEHICLE QTY.	KEY NO.		PART NO.	DESCRIPTION	VEHICLE QTY.
Leaf Spring and Clamp Group Assembly Service Kit, One Side,									
• with Rubber Bushings, Includes Key Nos. 1a, 2-3, 18-31									
	60961-813		10" Ride Height, 12.5K		26		U-bolt - Front		2
	60961-854		10" Ride Height, 13.2K			77132-180	10" Ride Height, 12.5K, <i>Replaces 77132-190</i>		
	60961-814		8½" Ride Height, 12.5K			77132-190	10" Ride Height, 13.2K		
	60961-855		8½" Ride Height, 13.2K			77132-140	8½" Ride Height, 12.5K, <i>Replaces 77132-150</i>		
	60961-815		6½" Ride Height, 12.5K			77132-150	8½" Ride Height, 13.2K		
	60961-856		6½" Ride Height, 13.2K			77132-120	6½" Ride Height, 12.5K, <i>Replaces 77132-130</i>		
			• with Threaded Bushings, Includes Key Nos. 1b, 5-6, 18-31			77132-130	6½" Ride Height, 13.2K		
	60961-848		10" Ride Height, 12.5K		27		U-bolt - Rear		2
	60961-849		10" Ride Height, 13.2K			77132-190	10" Ride Height, 12.5K		
	60961-850		8½" Ride Height, 12.5K			77132-200	10" Ride Height, 13.2K		
	60961-851		8½" Ride Height, 13.2K			77132-150	8½" Ride Height, 12.5K		
	60961-852		6½" Ride Height, 12.5K			77132-160	8½" Ride Height, 13.2K		
	60961-853		6½" Ride Height, 13.2K			77132-130	6½" Ride Height, 12.5K		
			• with Threaded Bushings, Includes Key Nos. 5-6			77132-140	6½" Ride Height, 13.2K		
1	a		Leaf Spring Assembly	2		60961-802	Axle Clamp Service Kit, One Side,		
			• with Rubber Bushings, Includes Key Nos. 2-3				Includes Key Nos. 28-31		
		53765-000	12.5K Capacity		28		*Axle Wrap Liner		2
		53984-000	13.2K Capacity				*Axle Clamp		
			• with Threaded Bushings, Includes Key Nos. 5-6		29		Front - Unthreaded		2
		53963-000	12.5K Capacity		30		Rear - Threaded		2
		53964-000	13.2K Capacity		31		*M20 X 2.5-6G x 160 mm Hex Cap Screw		4
	b		Leaf Spring Assembly	2	32	70685-XXX	Axle & Kingpin Assembly, <i>see Selection Guide on Page 158</i>		1
			• with Threaded Bushings, Includes Key Nos. 5-6		33		Left Hand Lower Steering Knuckle Assembly, <i>see Selection Guide on Page 158</i>		1
			• with Threaded Bushings, Includes Key Nos. 5-6			a	80029-XXX	• with Integrated Brake Knuckle Assembly	
			• with Threaded Bushings, Includes Key Nos. 5-6					Includes Key Nos. 39-41, 45-49	
			• with Threaded Bushings, Includes Key Nos. 5-6			b	58900-XXX	• with Standard Brake Knuckle Assembly	
			• with Threaded Bushings, Includes Key Nos. 5-6					Includes Key Nos. 39-41, 45-47	
			• with Threaded Bushings, Includes Key Nos. 5-6		34		Right Hand Lower Steering Knuckle Assembly, <i>see Selection Guide on Page 158</i>		1
			• with Threaded Bushings, Includes Key Nos. 5-6			a	80029-XXX	• with Integrated Brake Knuckle Assembly	
			• with Threaded Bushings, Includes Key Nos. 5-6					Includes Key Nos. 39-41, 45-49	
			• with Threaded Bushings, Includes Key Nos. 5-6			b	58900-XXX	• with Standard Brake Knuckle Assembly	
			• with Threaded Bushings, Includes Key Nos. 5-6					Includes Key Nos. 39-41, 45-47	
			• with Threaded Bushings, Includes Key Nos. 5-6		35	60903-472	Left Hand Upper Steering Knuckle Assembly, Includes Key Nos. 37-38, 40-41		1
			• with Threaded Bushings, Includes Key Nos. 5-6		36	60904-402	Right Hand Upper Steering Knuckle Assembly, Includes Key Nos. 37-38, 40-41		1
			• with Threaded Bushings, Includes Key Nos. 5-6			60961-630	Kingpin Bushing and Roller Thrust Bearing Service Kit, One Side, Includes Key Nos. 37-44		
2			*Front Bar Pin Spring Eye Bushing	2	37	33117-000	Grease Zerk		2
3			*Rear Thru-bolt Spring Eye Bushing	2	38	68687-003	Grease Cap Assembly, Upper		2
4	69125-001		Loctite® 680 (Green) Compound Tube (Not Shown)	1	39	68687-002	Grease Cap Assembly, Lower		2
5	52700-000		Front Spring Pin Bushing	2	40	58909-001	Kingpin Bushing		4
6	53980-000		Rear Threaded Bushing	2	41	68731-000	Kingpin Seal		4
7			***Threaded Bar Pin	2	42	64256-000L	Roller Thrust Bearing		2
	60961-803		Rear Shackle Service Kit, One Side, Includes Key Nos. 8-11		43	60236-001	⅝"-11 UNC Socket Head Cap Screw		4
8	70795-001		Shackle	2	44	60937-000	Loctite® (Red) Compound Tube (Not Shown)		1
9	21867-023		¾"-16 UNF x 6½" Hex Bolt	4	45	64246-000	ABS Sensor Sleeve (Not Shown)		2
10	22962-001		¾" Washer	8		60961-069	Stop Bolt Service Kit, One End, Includes Key Nos. 46-47		
11	17700-035		¾"-16 UNF-2B Nylocknut	4	46	60238-001	½"-13 UNC x 2" Square Head Bolt		2
12			***Rear Hanger	2	47	60240-000	½"-13 UNC Hex Jam Nut		2
13	79381-001		Shackle	2	48	58917-023	¾"-10 UNC x 2¾" Hex Head Cap Screw		4
14			***Shackle Plate	4	49	22962-047	¾" Flat Washer		4
15			***M12 Hex Bolt	8	50		Tie Rod Assembly, Includes Key Nos. 51-53		1
16			***M12 Washer	16			<i>See Selection Guide on Page 158</i>		
17			***M12 Nylocknut	8		60961-XXX	Tie Rod End Service Kits, <i>see Selection Guide on Page 158</i>		
	60961-804		Clamp Group Service Kit, One Side, Includes Key Nos. 18, 21, 28-31				Axle Set, Includes Left Hand & Right Hand Kits		
			• Key No. 26-27 U-bolts to be purchased separately				Left Hand, Includes Key Nos. 51, 53-55		
18	75989-000		M20 x 1.5-6H Two-piece Nut	8			Right Hand, Includes Key Nos. 52-55		
19	70690-001		Jounce Stop	2			Tie Rod End, <i>see Selection Guide on Page 158</i>		
20	70688-001		Top Pad	2	51		Left Hand		1
21	75990-000		Leaf Spring Liner	2	52		Right Hand		1
22			Upper Slotted Spring Pin	2	53		*⅞" Castle Nut		2
	76897-013		10" Ride Height, 12.5K / 13.2K		54	22962-007	⅞" Flat Washer		2
	76897-015		8½" Ride Height, 12.5K		55	17800-004	Tie Rod Nut Cotter Pin		2
	76897-005		8½" Ride Height, 13.2K		56	78578-001	**Chassis Spacer (if equipped)		1
	76897-016		6½" Ride Height, 12.5K						
	76897-012		6½" Ride Height, 13.2K						
23			Leaf Spring Spacer	2					
	70694-001		10" Ride Height, 12.5K						
	70694-003		10" Ride Height, 13.2K						
	70694-002		8½" Ride Height, 12.5K						
	70694-004		8½" Ride Height, 13.2K						
	77808-001		6½" Ride Height, 12.5K						
	70694-005		6½" Ride Height, 13.2K						
24	76897-001		Lower Slotted Spacer Pin (10" Ride Height Only)	2					
25	75986-001		Axle Wrap / Shock Bracket	2					



■ Lower Steering Knuckle Assembly Selection Guide

		Equipped with Integrated Brake Knuckle					Equipped with Standard Brake Knuckle				
		Wheel Base	Part Number					Part Number			
			STEERTEK NXT Assembly	Axle & Kingpin Assembly Key No. 32	Lower Steering Knuckle Assembly		Right Hand Key No. 34a	STEERTEK NXT Assembly	Axle & Kingpin Assembly Key No. 32	Lower Steering Knuckle Assembly	
			Left Hand Key No. 33a					Left Hand Key No. 33b	Right Hand Key No. 34b		
4.25" Axle Drop	12.5K	241"-290"	70757-501	70685-001	80029-099	80029-100	70757-001	70685-001	58900-499	58900-500	
		191"-240"	70757-502		80029-097	80029-098	70757-002		58900-497	58900-498	
		140"-190"	70757-503		80029-095	80029-096	70757-003		58900-495	58900-496	
	13.2K	241"-290"	70757-504	78685-001	80029-099	80029-100	70757-004	78685-001	58900-499	58900-500	
		191"-240"	70757-505		80029-097	80029-098	70757-005		58900-497	58900-498	
		140"-190"	70757-506		80029-095	80029-096	70757-006		58900-495	58900-496	
5.36" Axle Drop	12.5K	241"-290"	70757-507	70685-101	80029-099	80029-100	70757-007	70685-101	58900-499	58900-500	
		191"-240"	70757-508		80029-097	80029-098	70757-008		58900-497	58900-498	
		140"-190"	70757-509		80029-095	80029-096	70757-009		58900-495	58900-496	
	13.2K	241"-290"	70757-510	78685-101	80029-099	80029-100	70757-010	78685-101	58900-499	58900-500	
		191"-240"	70757-511		80029-097	80029-098	70757-011		58900-497	58900-498	
		140"-190"	70757-512		80029-095	80029-096	70757-012		58900-495	58900-496	

■ Tie Rod Selection Guide

Wheel Base	Tie Rod Assembly Part Number		Tie Rod End Part Number		Tie Rod End Service Kit No.	
	12.5K	13.2K	12.5K	13.2K	12.5K	13.2K
241"-290"	76877-003	76879-003	70995-001 (LH) 70995-002 (RH)	76876-001 (LH) 76876-002 (RH)	60961-734 (Axle Set) 60961-736 (LH) 60961-741 (RH)	60961-735 (Axle Set) 60961-742 (LH) 60961-743 (RH)
191"-240"	76877-002	76879-002				
140"-190"	76877-005	76879-001				

NOTES: * Item included in kit/assembly only, part not sold separately.

** Chassis spacer (if equipped) can be located on either left or right side of suspension.

*** Not supplied by Hendrickson, used for reference only. Hendrickson is not responsible for components supplied by the vehicle manufacturer. For assistance with maintenance and rebuild instructions on these components see vehicle manufacturer.



Vision and All American Buses

■ Tie Rod Selection Guide

	Axle Model	Wheel Base	Tie Rod Assembly Part Number	Tie Rod End Part Number	Tie Rod End Service Kit No.		
8.5K – 10K	Drop Tie Rods – 1¼" Threads	Vehicles built AFTER March 2014					
		STEERTEK NXT	150"/200"	76878-003	76875-001 (LH) 76875-002 (RH)	60961-737 (Axle Set) 60961-739 (LH) 60961-740 (RH)	
			250"	76878-001			
		*Vehicles built PRIOR TO March 2014					
	STEERTEK NXT STEERTEK	150"/200"	66699-003	♦ Tie rod end kits are no longer available for these assembly numbers, requires complete tie rod assembly replacement.			76878-003
		250"	66699-001				76878-001
		150"/200"	59948-005				76878-003
		250"	59948-006				76878-001

13.2K	Straight Tie Rods – 1½" Threads	Vehicles built AFTER March 2014					
		STEERTEK NXT	150"	76877-004	70995-001 (LH) 70995-002 (RH)	60961-734 (Axle Set) 60961-736 (LH) 60961-741 (RH)	
			200"	76877-005			
			250"	76877-001			
	250"		76877-006				
	*Vehicles built PRIOR TO March 2014						Tie Rod Assembly Replacement Part No.
	STEERTEK NXT STEERTEK	150"	60239-004	♦ Tie rod end kits are no longer available for these assembly numbers, requires complete tie rod assembly replacement.			76877-004
		200"	60239-005				76877-005
250"		60239-001	76877-001				
250"		60239-006	76877-006				

14.6K	Straight Tie Rods – 1¼" Threads	Vehicles built AFTER March 2014					
		STEERTEK NXT	150"	76879-001	76876-001 (LH) 76876-002 (RH)	60961-735 (Axle Set) 60961-742 (LH) 60961-743 (RH)	
			♦♦200"/250"	76879-002			
			250"	76879-003			
	Vehicles built PRIOR TO March 2014						
	STEERTEK NXT STEERTEK	150"	64006-001	64002-001 (LH) 64002-002 (RH)		60961-011 (Axle Set) 60961-027 (LH) 60961-028 (RH)	
		♦♦200"/250"	64006-002				
		250"	64006-003				

NOTES: ♦ Hendrickson supplies various tie rod assemblies. Locate the tie rod assembly part number on the tie rod tube to help determine the tie rod end kit or complete tie rod assembly replacement needed for service as shown in this Tie Rod Selection Guide.
♦♦ For 68987-018 and 68987-024 Axle Assembly.

NOTES: Quantities of service kit components may vary from amount shown in this publication.

* Not supplied by Hendrickson, used for reference only. Hendrickson is not responsible for components supplied by the vehicle manufacturer. For assistance with maintenance and rebuild instructions on these components see vehicle manufacturer.

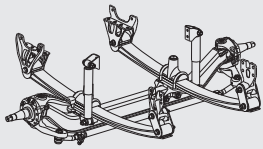
** Item included in kit/assembly only, part not sold separately.

PARTS LISTS

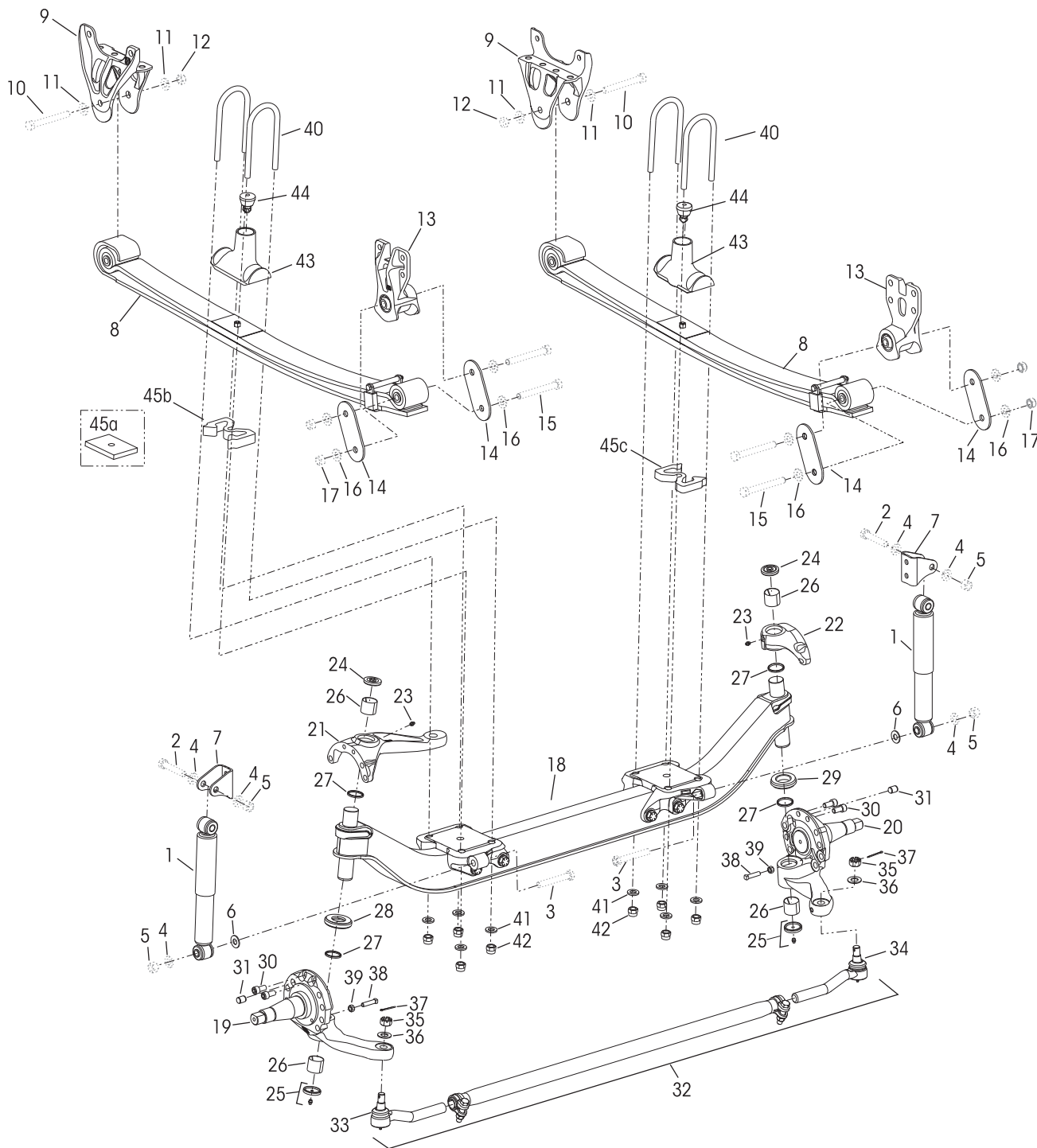


Vision Buses – Built after October 2012

8.5K • 10K Capacity



PARTS LISTS





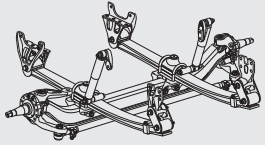
VEHICLE				VEHICLE			
KEY NO.	PART NO.	DESCRIPTION	QTY.	KEY NO.	PART NO.	DESCRIPTION	QTY.
1	58913-009L	Shock Absorber	2	27	68731-000	Kingpin Seal	4
2		*¾"-10 UNC Upper Shock Bolt	2	28	59828-000	Left Hand Composite Thrust Bearing	1
3		*¾"-10 UNC Lower Shock Bolt	2	29	64256-000L	Right Hand Roller Thrust Bearing	1
4		*¾" Hardened Washer	6	30	60236-001	¾" Socket Head Cap Screw	4
5		*¾"-10 UNC Hex Locknut	4	Not Shown	60937-000	Loctite® (Red) Compound Tube	1
6	22962-046	Shock Spacer (Flat Washer) - 0.118" Thick	2	31	64246-000	ABS Sensor Sleeve	2
7	59423-002	Shock Bracket	2	32		Tie Rod Assembly, 10K, 5.36" Drop, Includes Key Nos. 33-35, see Selection Guide on Page 159	1
8		Leaf Spring Assembly	2		60961-XXX	Tie Rod End Service Kits , see Selection Guide on Page 159	
	53627-000	8.5K, Replaces 66623-001				Axle Set , Includes Left Hand & Right Hand Kits	
	53624-000	10K, Replaces 66624-001				Left Hand , Includes Key Nos. 33, 35-37	
9	64488-002	Front Hanger	2			Right Hand , Includes Key Nos. 34-37	
10		*M20 x 170 mm Hex Bolt	2			Tie Rod End, Includes Key No. 35, see Selection Guide on Page 159	
11		*M20 Hardened Washer	4	33		Left Hand	1
12		*M20 Locknut	2	34		Right Hand	1
13	66510-001	Rear Shackle Bracket	2	35		**7/8" Castle Nut	2
14	64314-000	Rear Shackle Plate	4	36	22962-007	7/8" Flat Washer	2
15		*M20 x 150 mm Hex Bolt	4	37	17800-004	Tie Rod Nut Cotter Pin	2
16		*M20 Hardened Washer	8		60961-069	Stop Bolt Service Kit, One Side , Includes Key Nos. 38-39	
17		*M20 Locknut	4	38	60238-001	½"-13 UNC Square Head Bolt	2
		STEERTEK NXT Axle Assembly , Includes Key Nos. 18-30, 32-39, see Table 1 below	1	39	60240-000	½"-13 UNC Hex Jam Nut	2
18		Axle & Kingpin Assembly	1			Clamp Group Service Kit, One Side , Includes Key Nos. 40-42	
	68986-007M	Vehicle Built After May 2017			60961-669	6½" Ride Height	
	68986-001M	Vehicle Built Prior to May 2017			60961-671	8½" Ride Height	
		Lower Steering Knuckle Assembly, Includes Key Nos. 25-27, 38-39, see Table 1 below		40		¾"-16 UNF U-bolt	4
19		Left Hand	1		64804-065	6½" Ride Height - 6.5"	
20		Right Hand	1		64804-085	8½" Ride Height - 8.5"	
		Upper Steering Knuckle Assembly, Includes Key Nos. 23-24, 26-27, see Table 1 below		41	22962-001	¾" Flat Washer	8
21		Left Hand	1	42	17700-035	¾"-16 UNF 2B Nylon Locknut	8
22		Right Hand	1		64506-000	Top Pad/Axle Stop Assembly, Includes Key Nos. 43-44	
		Kingpin Bushing and Bearing Service Kits		43	64519-000	Top Pad	2
	60961-628	Axle Set , Includes Kit Nos. 60961-629 & -630		44	64080-000	Rubber Axle Stop	2
	60961-629	Left Hand with Composite Thrust Bearing , Includes Key Nos. 23-28, 30 & Loctite		45		Front Axle Spacer	2
	60961-630	Right Hand with Roller Thrust Bearing , Includes Key Nos. 23-27, 29-30 & Loctite		a	70105-010	Left Hand 6½" Ride Height - 10 mm	
23	33117-000	Grease Zerk	2	b	64536-060	Left Hand 8½" Ride Height - 60 mm	
24	68687-003	Grease Cap Assembly, Upper	2	c	64536-050	Right Hand 8½" Ride Height - 50 mm	
25	68687-002	Grease Cap Assembly, Lower	2	Not Shown	18831-021	Dowel Pin 2", 8½" Ride Height	2
26	58909-001	Kingpin Bushing	4				

Ackermann	Part Number					
	STEERTEK NXT Assembly Vehicles Built		Lower Steering Knuckle Assembly		Upper Steering Knuckle Assembly	
	AFTER May 2017	PRIOR TO May 2017	Left Hand Key No. 19	Right Hand Key No. 20	Left Hand Key No. 21	Right Hand Key No. 22
200"	—	68987-007	58900-233	58900-234	60903-216	60904-202
250"	—	68987-008	58900-231	58900-232		
200"	—	68987-011	58900-253	58900-254		
250"	—	68987-012	58900-251	58900-252		
200"	68987-053	68987-045	58900-233	58900-234	60903-252	
250"	68987-054	68987-046	58900-231	58900-232		
200"	68987-055	68987-047	58900-253	58900-254		
250"	68987-056	68987-048	58900-251	58900-252		

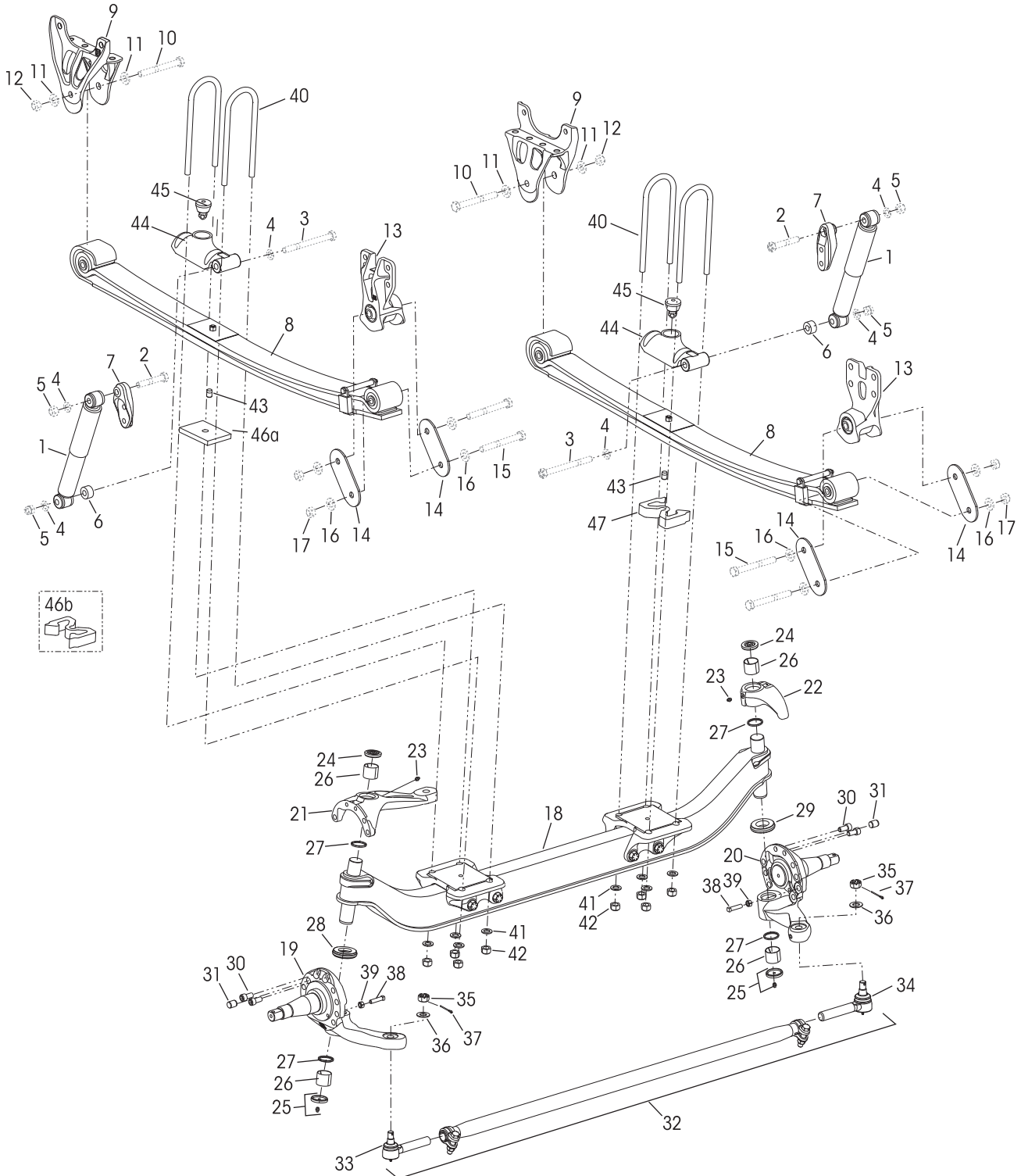


All American Buses – Built after October 2012

13.2K • 14.6K Capacity



PARTS LISTS





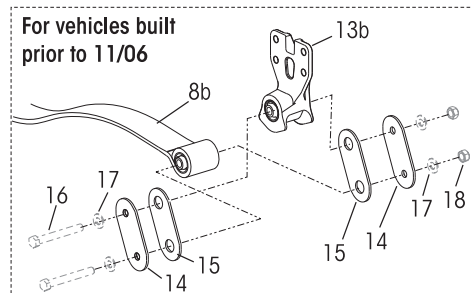
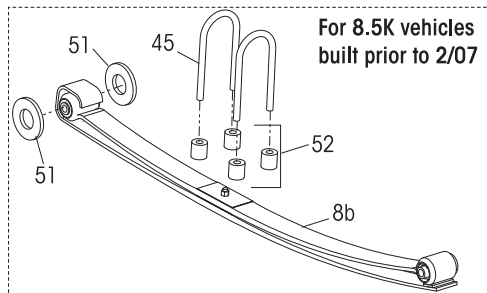
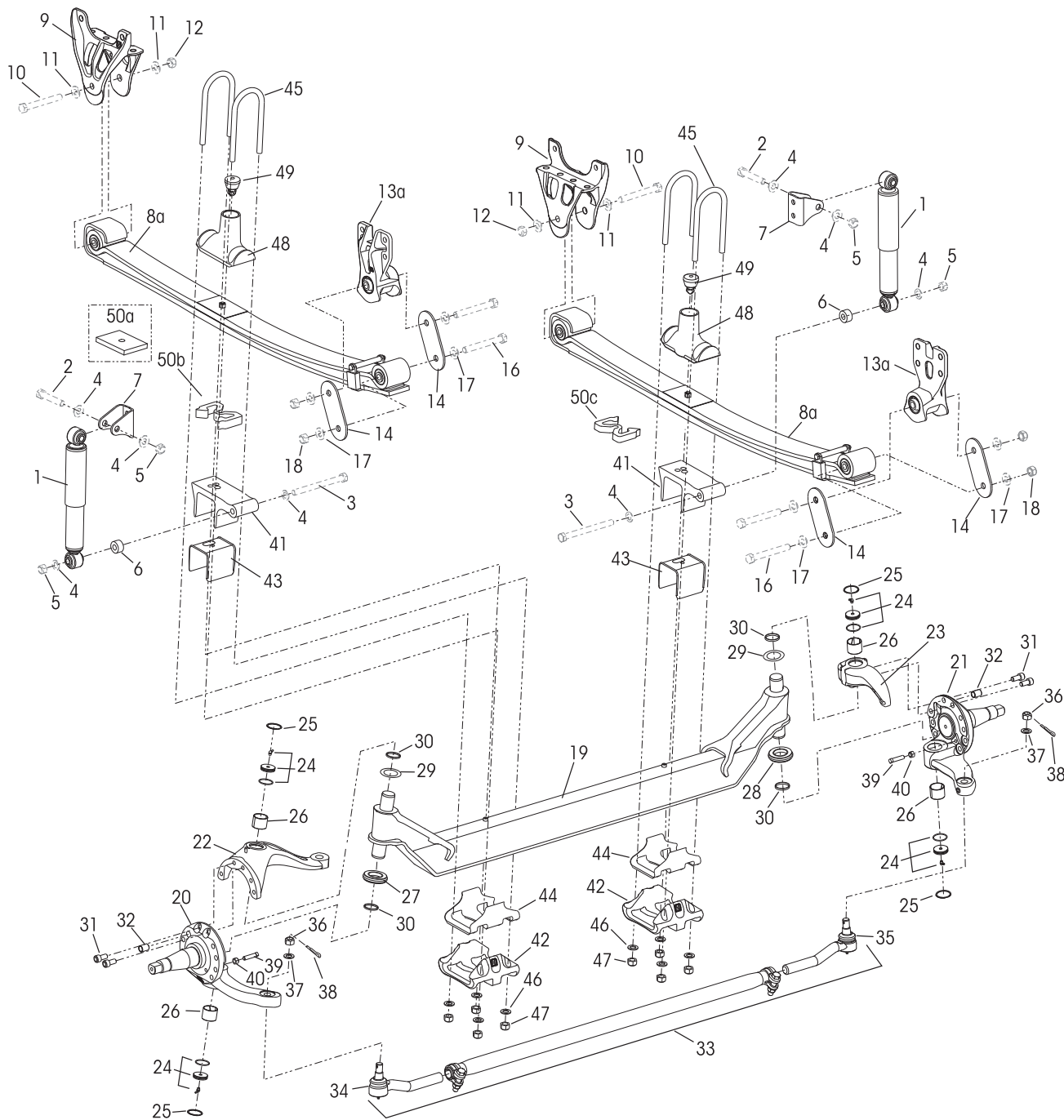
VEHICLE				VEHICLE			
KEY NO.	PART NO.	DESCRIPTION	QTY.	KEY NO.	PART NO.	DESCRIPTION	QTY.
1	58913-010L	Shock Absorber	2	27	68731-000	Kingpin Seal	4
2		*¾"-10 UNC Upper Shock Bolt	2	28	59828-000	Left Hand Composite Thrust Bearing	1
3		*¾"-10 UNC Lower Shock Bolt	2	29	64256-000L	Right Hand Roller Thrust Bearing	1
4		*¾" Hardened Washer	6	30	60236-001	¾" Socket Head Cap Screw	4
5		*¾"-10 UNC Hex Locknut	4	Not Shown	60937-000	Loctite® (Red) Compound Tube	1
6	59946-001	Shock Spacer	2	31	64246-000	ABS Sensor Sleeve	2
7	67463-002	Shock Bracket	2	32		Tie Rod Assembly, 13.2K • 14.6K, 4.25" Drop, Includes Key Nos. 33-35, see Selection Guide on Page 159	1
8		Leaf Spring Assembly	2		60961-XXX	Tie Rod End Service Kits , see Selection Guide on Page 159	
	53625-000	13.2K, Replaces 66625-001				Axle Set , Includes Left Hand & Right Hand Kits	
	53626-000	14.6K, Replaces 66626-001				Left Hand , Includes Key Nos. 33, 35-37	
9	64488-002	Front Hanger	2			Right Hand , Includes Key Nos. 34-37	
10		*M20 x 170 mm Hex Bolt	2			Tie Rod End, Includes Key No. 35, see Selection Guide on Page 159	
11		*M20 Hardened Washer	4	33		Left Hand	1
12		*M20 Locknut	2	34		Right Hand	1
13	66510-001	Rear Shackle Bracket	2	35		**7/8" Castle Nut	2
14	64314-000	Rear Shackle Plate	4	36	22962-007	7/8" Flat Washer	2
15		*M20 x 150 mm Hex Bolt	4	37	17800-004	Tie Rod Nut Cotter Pin	2
16		*M20 Hardened Washer	8		60961-069	Stop Bolt Service Kit, One Side , Includes Key Nos. 38-39	
17		*M20 Locknut	4	38	60238-001	½"-13 UNC Square Head Bolt	2
	68987-XXX	STEERTEK NXT Axle Assembly, Includes Key Nos. 18-22, 28-30, 32, 36-37, contact Hendrickson Tech Services for Part Number	1	39	60240-000	½"-13 UNC Hex Jam Nut	2
18		Axle & Kingpin Assembly	1			Clamp Group Service Kit, One Side , Includes Key Nos. 40-42	
	68986-004M	6.8", 7.8", 8.8" and 9.8" Ride Height		60961-669		6.8" Ride Height	
	68986-003M	13.2K, Narrow		60961-670		7.8" Ride Height	
		14.6K, Wide		60961-671		8.8" Ride Height	
19		Left Hand Lower Steering Knuckle Assembly	1	60961-672		9.8" Ride Height	
		Includes Key Nos. 25-27, 38-39		40		¾"-16 UNF U-bolt	4
	58900-235	150 Ackermann Air Brake, Includes Key No. 31		64804-065		6.8" Ride Height - 6.5"	
	58900-233	200 Ackermann Air Brake, Includes Key No. 31		64804-075		7.8" Ride Height - 7.5"	
	58900-231	250 Ackermann Air Brake, Includes Key No. 31		64804-085		8.8" Ride Height - 8.5"	
	58900-255	150 Ackermann Hydraulic Brake		64804-095		9.8" Ride Height - 9.5"	
	58900-253	200 Ackermann Hydraulic Brake		41	22962-001	¾" Flat Washer	8
	58900-251	250 Ackermann Hydraulic Brake		42	17700-035	¾"-16 UNF 2B Nylon Locknut	8
20		Right Hand Lower Steering Knuckle Assembly	1	43		Dowel Pin	2
		Includes Key Nos. 25-27, 38-39				6.8" Ride Height	None Req.
	58900-236	150 Ackermann Air Brake, Includes Key No. 31			18831-022	7.8" Ride Height - 1.13"	
	58900-234	200 Ackermann Air Brake, Includes Key No. 31			18831-021	8.8" Ride Height - 2"	
	58900-232	250 Ackermann Air Brake, Includes Key No. 31			18831-023	9.8" Ride Height - 3"	
	58900-256	150 Ackermann Hydraulic Brake			66806-001	Top Pad/Axle Stop Assembly, Includes Key Nos. 44-45	
	58900-254	200 Ackermann Hydraulic Brake		44	66666-000	Top Pad	2
	58900-252	250 Ackermann Hydraulic Brake		45	64080-000	Rubber Axle Stop	2
21		Left Hand Upper Steering Knuckle Assembly	1	46		Left Hand Front Axle Spacer	1
		Includes Key Nos. 23-24, 26-27		a	70105-010	6.8" Ride Height - 10 mm	
	60903-258	13.2K		b	64536-035	7.8" Ride Height - 35 mm	
	60903-255	14.6K		b	64536-060	8.8" Ride Height - 60 mm	
22	60904-202	Right Hand Upper Steering Knuckle Assembly	1	b	64536-085	9.8" Ride Height - 85 mm	
		Includes Key Nos. 23-24, 26-27		47		Right Hand Front Axle Spacer	1
	60961-628	Kingpin Bushing and Bearing Service Kits				6.8" Ride Height	None Req.
	60961-629	Axle Set , Includes Kit Nos. 60961-629 & -630			64536-025	7.8" Ride Height - 25 mm	
		Left Hand with Composite Thrust Bearing , Includes Key Nos. 23-28, 30 & Loctite			64536-050	8.8" Ride Height - 50 mm	
	60961-630	Right Hand with Roller Thrust Bearing , Includes Key Nos. 23-27, 29-30 & Loctite			64536-075	9.8" Ride Height - 75 mm	
23	33117-000	Grease Zerk	2				
24	68687-003	Grease Cap Assembly, Upper	2				
25	68687-002	Grease Cap Assembly, Lower	2				
26	58909-001	Kingpin Bushing	4				
	60961-631	Thrust Bearing Service Kits					
	60961-632	Axle Set , Includes Kit Nos. 60961-632 & -633					
		Left Hand Composite Thrust Bearing , Includes Key Nos. 27-28, 30 & Loctite					
	60961-633	Right Hand Roller Thrust Bearing , Includes Key Nos. 27, 29-30 & Loctite					



Vision Buses – Built prior to October 2012

8.5K • 10K Capacity

PARTS LISTS





KEY NO.	PART NO.	DESCRIPTION	VEHICLE QTY.
1	58913-009L	Shock Absorber, <i>Replaces 58913-007</i>	2
2		*¾"-10 UNC Upper Shock Bolt	2
3		*¾"-10 UNC Lower Shock Bolt	2
4		*¾" Hardened Washer	8
5		*¾"-10 UNC Hex Locknut	4
6	59946-001	Shock Spacer	2
7	59423-002	Shock Bracket	2
8		Leaf Spring Assembly	2
a		• Vehicles built after 11/06	
	53627-000	8.5K, <i>Replaces 66623-001</i>	
	53624-000	10K, <i>Replaces 66624-001</i>	
b		• Vehicles built prior to 11/06, <i>Component no longer available. Replacement requires for both the leaf spring assembly and rear shackle bracket to be upgraded to 11/06 configuration</i>	
		8.5K, Replace with 53627-000 and 66510-001	
		10K, Replace with 53624-000 and 66510-001	
9	64488-002	Front Hanger, <i>Replaces 64488-000</i>	2
10		*M20 x 170 mm Hex Bolt	2
11		*M20 Hardened Washer	4
12		*M20 Locknut	2
13		Rear Shackle Bracket	2
a	66510-001	For vehicles built after 11/06	
b	64316-000	For vehicles built prior to 11/06	
14	64314-000	Rear Shackle Plate	4
15	64159-000	Thrust Washer	4
		Only for vehicles built prior to 11/06	
16		*M20 x 150 mm Hex Bolt	4
17		*M20 Hardened Washer	8
18		*M20 Locknut	4
	60952-XXX	STEERTEK Axle Assembly , Includes Key Nos. 19-25, 27-29, 31-44, <i>contact Hendrickson Tech Service for Part Number</i>	1
19	64905-004	Axle & Kingpin Assembly, Narrow 6½", 8½" Ride Height	1
20		Left Hand Lower Steering Knuckle Assembly Includes Key Nos. 26, 30	1
	58900-035	150 Ackermann Air Brake, Includes Key No. 32	
	58900-033	200 Ackermann Air Brake, Includes Key No. 32	
	58900-031	250 Ackermann Air Brake, Includes Key No. 32	
	58900-055	150 Ackermann Hydraulic Brake	
	58900-053	200 Ackermann Hydraulic Brake	
	58900-051	250 Ackermann Hydraulic Brake	
21		Right Hand Lower Steering Knuckle Assembly Includes Key Nos. 26, 30	1
	58900-036	150 Ackermann Air Brake, Includes Key No. 32	
	58900-034	200 Ackermann Air Brake, Includes Key No. 32	
	58900-032	250 Ackermann Air Brake, Includes Key No. 32	
	58900-056	150 Ackermann Hydraulic Brake	
	58900-054	200 Ackermann Hydraulic Brake	
	58900-052	250 Ackermann Hydraulic Brake	
22	60903-016	Left Hand Upper Steering Knuckle Assembly Includes Key Nos. 26, 30	1
23	60904-002	Right Hand Upper Steering Knuckle Assembly Includes Key Nos. 26, 30	1
		Kingpin Bushing and Bearing Service Kits	
	60961-040	Axle Set , Includes Kit Nos. 60961-009 & -039	
	60961-009	Left Hand with Composite Thrust Bearing , Includes Key Nos. 24-27, 29-31 & Loctite	
	60961-039	Right Hand with Roller Thrust Bearing , Includes Key Nos. 24-26, 28-31 & Loctite	
24	59156-000	Grease Cap Assembly	4
25	58937-000	Retaining Ring	4
26	58909-000	Kingpin Bushing	4

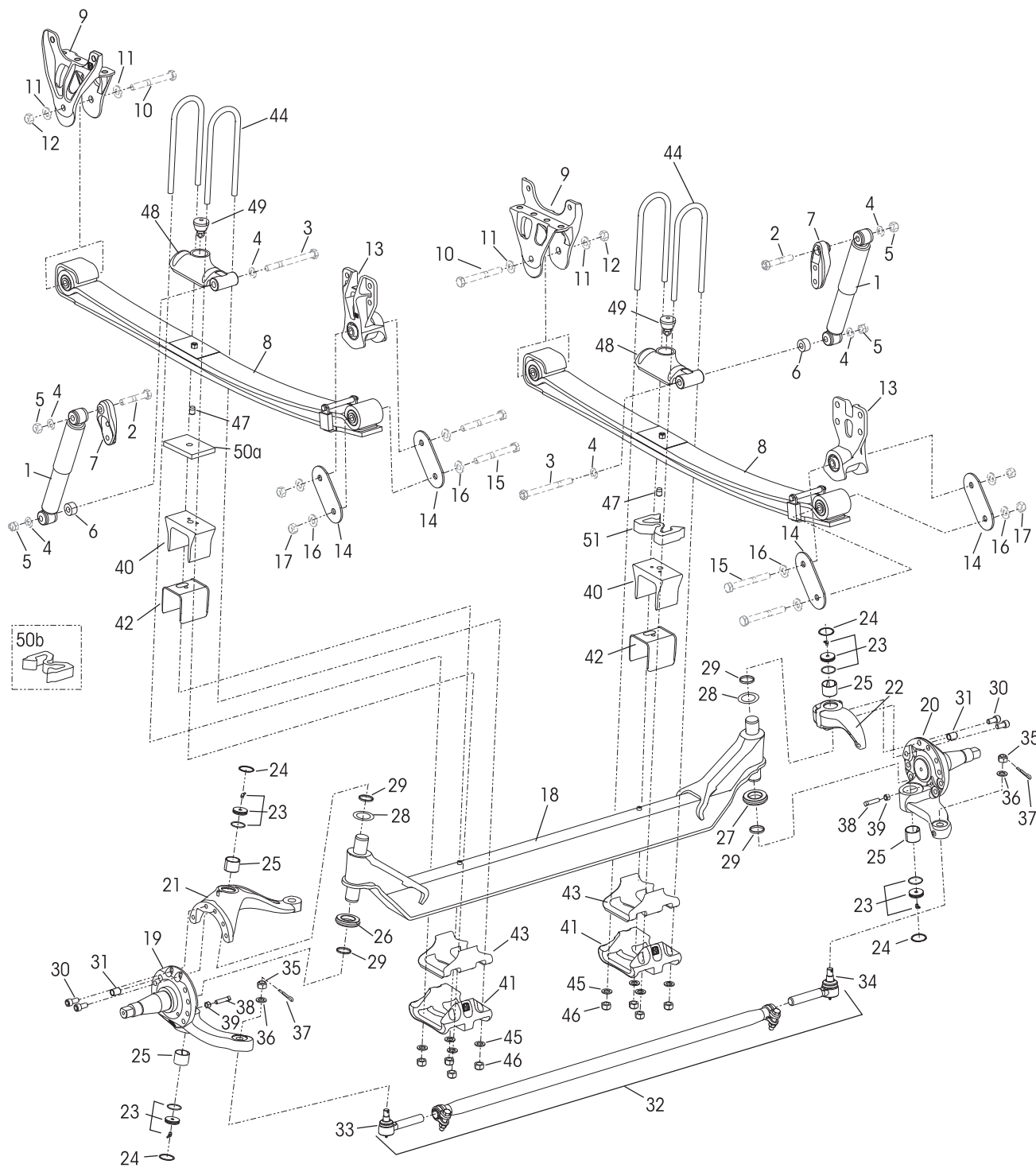
KEY NO.	PART NO.	DESCRIPTION	VEHICLE QTY.
		Thrust Bearing Service Kits	
	60961-043	Axle Set , Includes Kit Nos. 60961-632 & -633	
	60961-041	Left Hand Composite Thrust Bearing , Includes Key Nos. 27, 29-31 & Loctite	
	60961-042	Right Hand Roller Thrust Bearing , Includes Key Nos. 28-31 & Loctite	
27	59828-000	Left Hand Composite Thrust Bearing	1
28	64256-000L	Right Hand Roller Thrust Bearing	1
29		Kingpin Shim	As Req.
	60259-001X	0.005" Thickness (Pack of 4)	
	60259-002	0.047" Thickness	
30	58910-001	Kingpin Seal, <i>Replaces 58910-000</i>	4
31	60236-001	¾"-11 UNC Socket Head Cap Screw	4
Not Shown	60937-000	Loctite (Red) Compound Tube	1
32	64246-000	ABS Sensor Sleeve	2
33		Tie Rod Assembly, 8.5K • 10K, 5.36" Drop, Includes Key Nos. 34-36, <i>see Selection Guide on Page 159</i>	1
	60961-XXX	Tie Rod End Service Kits , <i>see Selection Guide on Page 159</i>	
		Axle Set , Includes Left Hand & Right Hand Kits	
		Left Hand , Includes Key Nos. 34, 36-38	
		Right Hand , Includes Key Nos. 35-38	
		Tie Rod End, Includes Key No. 36, <i>see Selection Guide on Page 159</i>	
34		Left Hand	1
35		Right Hand	1
36		**¾" Castle Nut	2
37	22962-007	¾" Flat Washer	2
38	17800-004	Tie Rod Nut Cotter Pin	2
	60961-069	Stop Bolt Service Kit, One Side , Includes Key Nos. 39-40	
39	60238-001	½"-13 UNC Square Head Bolt	2
40	60240-000	½"-13 UNC Hex Jam Nut	2
41	59952-003	Top Axle Wrap	2
42	64722-003	Bottom Axle Wrap	2
	60961-015	Top/Bottom Axle Wrap Liner Service Kit, One Side , Includes Key Nos. 43-44	
43	60508-000	Top Axle Wrap Liner	2
44	59845-000	Bottom Axle Wrap Liner	2
		Clamp Group Service Kit, One Side , Includes Key Nos. 45-47	
	60961-140	6½" Ride Height	
	60961-141	8½" Ride Height	
45		¾"-16 UNF U-bolt	4
	64804-110	6½" Ride Height - 11"	
	64804-130	8½" Ride Height - 13"	
46	22962-001	¾" Flat Washer	8
47	17700-035	¾"-16 UNF 2B Nylon Locknut	8
	64506-000	Top Pad/Axle Stop Assembly, Includes Key Nos. 48-49	
48	64519-000	Top Pad	2
49	64080-000	Rubber Axle Stop	2
50		Front Axle Spacer	1
a	70105-010	Left Hand 6½" Ride Height - 10 mm, <i>Replaces 64536-010</i>	
b	64536-060	Left Hand 8½" Ride Height - 60 mm	
c	64536-050	Right Hand 8½" Ride Height - 50 mm	
51	66164-000	Thrust Pad Washer For 8.5K vehicles built prior to 2/07	4
52	66366-001	Clamp Group Spacer For 8.5K vehicles built prior to 2/07	8
Not Shown	18831-021	Dowel Pin 2", 8½" Ride Height	2



All American Buses – Built prior to October 2012

13.2K • 14.6K Capacity

PARTS LISTS





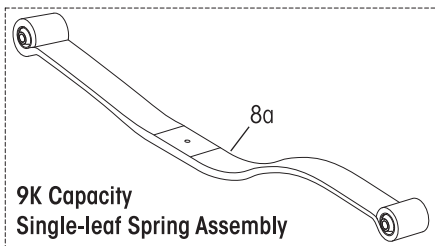
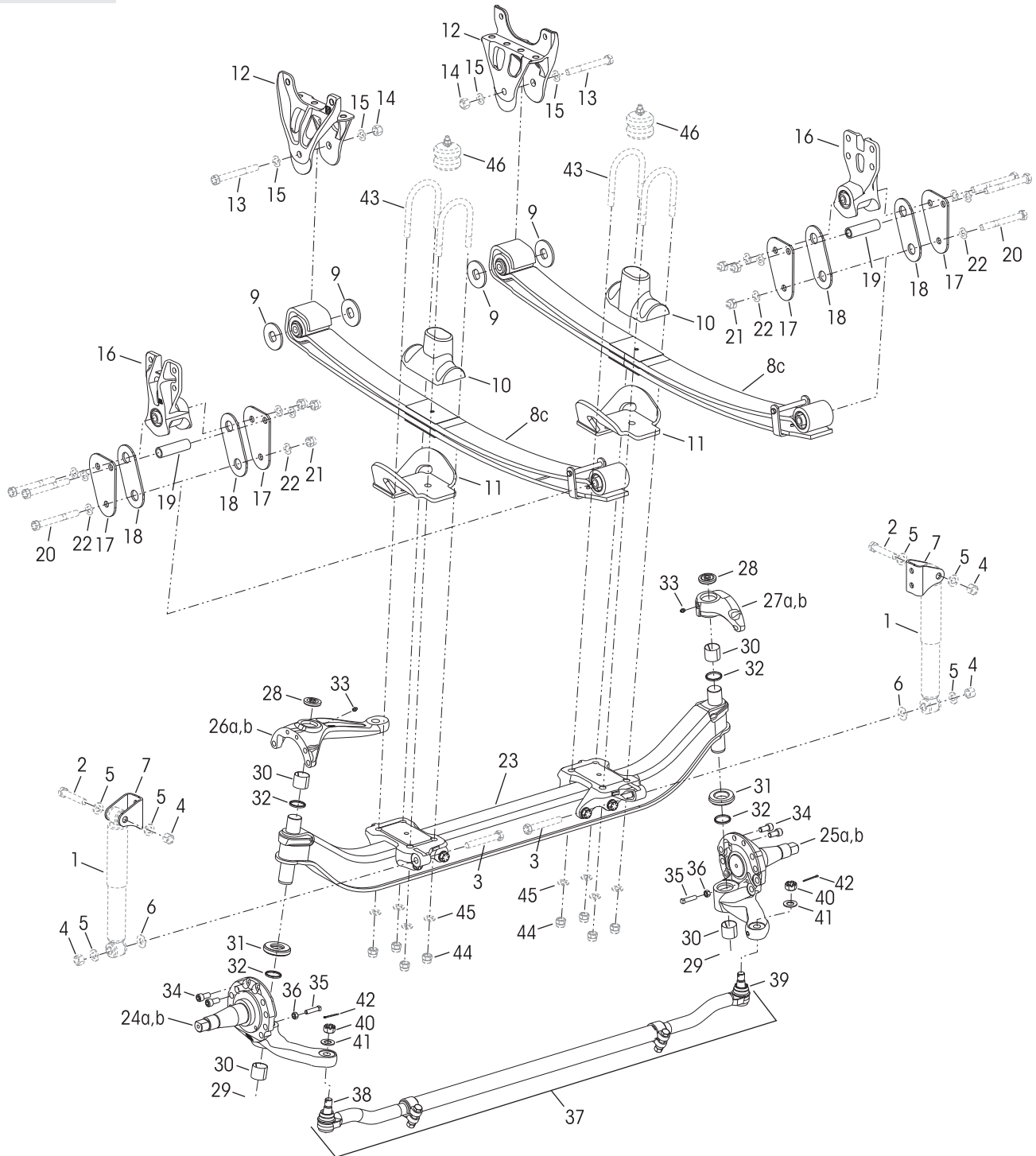
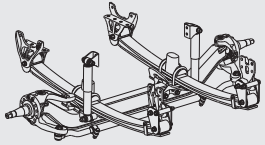
KEY NO.	PART NO.	DESCRIPTION	VEHICLE QTY.	KEY NO.	PART NO.	DESCRIPTION	VEHICLE QTY.
1	58913-010L	Shock Absorber	2	28		Kingpin Shim	As Req.
2		*¾"-10 UNC Upper Shock Bolt	2		60259-001X	0.005" Thickness (Pack of 4)	
3		*¾"-10 UNC Lower Shock Bolt	2		60259-002	0.047" Thickness	
4		*¾" Hardened Washer	6	29	58910-001	Kingpin Seal, <i>Replaces 58910-000</i>	4
5		*¾"-10 UNC Hex Locknut	4	30	60236-001	⅝"-11 UNC Socket Head Cap Screw	4
6	59946-001	Shock Spacer	2	Not Shown	60937-000	Loctite (Red) Compound Tube	1
7	67463-002	Shock Bracket, <i>Replaces 65000-002</i>	2	31	64246-000	ABS Sensor Sleeve	2
8		Leaf Spring Assembly	2	32		Tie Rod Assembly, 13.2K • 14.6K, 4.5" Drop, Includes Key Nos. 33-35, see <i>Selection Guide on Page 159</i>	1
	53625-000	13.2K, <i>Replaces 66625-001</i>			60961-XXX	Tie Rod End Service Kits , see <i>Selection Guide on Page 159</i>	
	53626-000	14.6K, <i>Replaces 66626-001</i>				Axle Set , Includes Left Hand & Right Hand Kits	
9	64488-002	Front Hanger	2			Left Hand , Includes Key Nos. 33, 35-37	
10		*M20 x 170 mm Hex Bolt	2			Right Hand , Includes Key Nos. 34-37	
11		*M20 Hardened Washer	4			Tie Rod End, Includes Key No. 35, see <i>Selection Guide on Page 159</i>	
12		*M20 Locknut	2	33		Left Hand	1
13	66510-001	Rear Shackle Bracket	2	34		Right Hand	1
14	64314-000	Rear Shackle Plate	4	35		**⅝" Castle Nut	2
15		*M20 x 150 mm Hex Bolt	4	36	22962-007	⅞" Flat Washer	2
16		*M20 Hardened Washer	8	37	17800-004	Tie Rod Nut Cotter Pin	2
17		*M20 Locknut	4		60961-069	Stop Bolt Service Kit, One Side , Includes Key Nos. 38-39	
	60952-XXX	STEERTEK Axle Assembly, Includes Key Nos. 18-24, 26-28, 30-43, <i>contact Hendrickson Tech Services for Part Number</i>	1	38	60238-001	½"-13 UNC Square Head Bolt	2
18		Axle & Kingpin Assembly	1	39	60240-000	½"-13 UNC Hex Jam Nut	2
		6.8", 7.8", 8.8" and 9.8" Ride Height		40	59952-026	Top Axle Wrap	2
	64905-002	13.2K, Narrow		41	64722-003	Bottom Axle Wrap	2
	64905-005	14.6K, Wide			60961-015	Top/Bottom Axle Wrap Liner Service Kit, One Side , Includes Key Nos. 42-43	
19		Left Hand Lower Steering Knuckle Assembly	1	42	60508-000	Top Axle Wrap Liner	2
		Includes Key Nos. 25, 29		43	59845-000	Bottom Axle Wrap Liner	2
	58900-035	150 Ackermann Air Brake, Includes Key No. 31				Clamp Group Service Kit, One Side , Includes Key Nos. 44-46	
	58900-033	200 Ackermann Air Brake, Includes Key No. 31			60961-142	6.8" Ride Height	
	58900-031	250 Ackermann Air Brake, Includes Key No. 31			60961-143	7.8" Ride Height	
	58900-055	150 Ackermann Hydraulic Brake			60961-144	8.8" Ride Height	
	58900-053	200 Ackermann Hydraulic Brake			60961-145	9.8" Ride Height	
	58900-051	250 Ackermann Hydraulic Brake		44		¾"-16 UNF U-bolt	4
20		Right Hand Lower Steering Knuckle Assembly	1		64804-120	6.8" Ride Height - 12"	
		Includes Key Nos. 25, 29			64804-130	7.8" Ride Height - 13"	
	58900-036	150 Ackermann Air Brake, Includes Key No. 31			64804-140	8.8" Ride Height - 14"	
	58900-034	200 Ackermann Air Brake, Includes Key No. 31			64804-150	9.8" Ride Height - 15"	
	58900-032	250 Ackermann Air Brake, Includes Key No. 31		45	22962-001	¾" Flat Washer	8
	58900-056	150 Ackermann Hydraulic Brake		46	17700-035	¾"-16 UNF 2B Nylon Locknut	8
	58900-054	200 Ackermann Hydraulic Brake		47		Dowel Pin	2
	58900-052	250 Ackermann Hydraulic Brake				6.8" Ride Height	None Req.
21		Left Hand Upper Steering Knuckle Assembly	1		18831-022	7.8" Ride Height - 1.13"	
		Includes Key Nos. 25, 29			18831-021	8.8" Ride Height - 2"	
	60903-058	13.2K			18831-023	9.8" Ride Height - 3"	
	60903-055	14.6K			66806-001	Top Pad/Axle Stop Assembly Includes Key Nos. 48-49	
22	60904-002	Right Hand Upper Steering Knuckle Assembly	1	48	66666-000	Top Pad	2
		Includes Key Nos. 25, 29		49	64080-000	Rubber Axle Stop	2
		Kingpin Bushing and Bearing Service Kits		50		Left Hand Front Axle Spacer	1
	60961-040	Axle Set , Includes Kit Nos. 60961-009 & -039		a	70105-010	6.8" Ride Height - 10 mm <i>Replaces 64536-010</i>	
	60961-009	Left Hand with Composite Thrust Bearing , Includes Key Nos. 23-26, 28-30 & Loctite		b	64536-035	7.8" Ride Height - 35 mm	
	60961-039	Right Hand with Roller Thrust Bearing , Includes Key Nos. 23-25, 27-30 & Loctite		b	64536-060	8.8" Ride Height - 60 mm	
				b	64536-085	9.8" Ride Height - 85 mm	
23	59156-000	Grease Cap Assembly	4	51		Right Hand Front Axle Spacer	1
24	58937-000	Retaining Ring	4			6.8" Ride Height	None Req.
25	58909-000	Kingpin Bushing	4		64536-025	7.8" Ride Height - 25 mm	
	60961-043	Thrust Bearing Service Kits			64536-050	8.8" Ride Height - 50 mm	
	60961-041	Axle Set , Includes Kit Nos. 60961-041 & -042			64536-075	9.8" Ride Height - 75 mm	
	60961-041	Left Hand Composite Thrust Bearing , Includes Key Nos. 26, 28-30 & Loctite					
	60961-042	Right Hand Roller Thrust Bearing , Includes Key Nos. 27-30 & Loctite					
26	59828-000	Left Hand Composite Thrust Bearing	1				
27	64256-000L	Right Hand Roller Thrust Bearing	1				



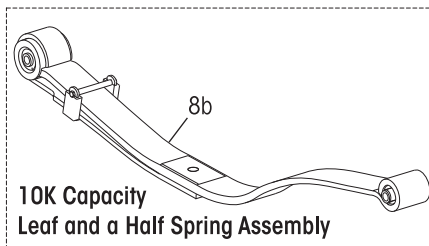
Motorhome Chassis – Built after March 2012

9K • 10K • 12K Capacity

PARTS LISTS



9K Capacity
Single-leaf Spring Assembly



10K Capacity
Leaf and a Half Spring Assembly



KEY NO.	PART NO.	DESCRIPTION	VEHICLE QTY.	KEY NO.	PART NO.	DESCRIPTION	VEHICLE QTY.
1		*Shock Absorber	2	26		Left Hand Upper Steering Knuckle Assembly	1
2		*3/4"-10 UNC x 4" Upper Shock Bolt	2			Includes Key Nos. 28, 30, 32-33	
3		*3/4"-10 UNC x 5" Lower Shock Bolt	2	a	60903-251	Equipped with Hydraulic Brake	
4		*3/4"-10 UNC Hex Locknut	4	b	60903-453	Equipped with Air Brake	
5		*3/4" Hardened Washer	6	27		Right Hand Upper Steering Knuckle Assembly	1
6		*Shock Spacer - 1/8" Thick	2			Includes Key Nos. 28, 30, 32-33	
7	59423-002	Shock Bracket	2	a	60904-234	Equipped with Hydraulic Brake	
8		Spring Assembly, Includes Spring Eye Bushings	2	b	60904-432	Equipped with Air Brake	
a	66415-002	9K, Single-leaf			60961-630	Kingpin Bushing and Roller Thrust Bearing Service Kit, One Side,	
b	65710-002	10K, Leaf and a Half				Includes Key Nos. 28-34 & Loctite	
c	68115-001	12K, 2-Leaf		28	68687-003	Grease Cap Assembly, Upper	2
9	67493-000	Thrust Washer - Front Hanger	4	29	68687-002	Grease Cap Assembly, Lower	2
10	65714-000	Top Pad	2	30	58909-001	Kingpin Bushing	4
11	68759-004	Sway Bar Bracket	2	31	64256-000L	Roller Thrust Bearing	2
12	66297-000	Front Hanger	2	32	68731-000	Kingpin Seal	4
13		*3/4"-10 UNC x 6 1/2" Bolt	2	33	33117-000	Grease Zerk	2
14		*3/4"-10 UNC Locknut	2	34	60236-001	5/8"-11 UNC Socket Head Cap Screw	4
15		*3/4" Hardened Washer	4	Not Shown	60937-000	Loctite® (Red) Compound Tube	1
16	64316-000	Rear Shackle Bracket and Bushing Assembly	2		60961-069	Stop Bolt Service Kit, One Side,	
17	66413-000	Rear Shackle Plate	4			Includes Key Nos. 35-36	
18	64159-000	Rear Shackle Wear Pad	4	35	60238-001	1/2"-13 UNC Square Head Bolt	2
19	60631-000	Shackle Stop Tube	2	36	60240-000	1/2"-13 UNC Hex Jam Nut	2
20		*3/4"-10 UNC x 6 1/2" Hex Bolt	6	37	68869-001	***Tie Rod Assembly, 9K•10K•12K	1
21		*3/4"-10 UNC Hex Nylocknut	6			69 KPI, 5.36 Drop, 250 Ackermann	
22		*3/4" Hardened Washer	12			Includes Key Nos. 38-40	
		STEERTEK NXT Axle Assembly, 250 Ackermann	1			*** Tie Rod End Service Kits	
	68927-004	Equipped with Hydraulic Brake, Includes Key Nos. 23, 24a-27a, 31, 34, 37, 41-42			60961-626	Axle Set, Includes Kit Nos. 60961-624 & -625	
	68927-005	Equipped with Air Brake, Includes Key Nos. 23, 24b-27b, 31, 34, 37, 41-42			60961-624	Left Hand, Includes Key Nos. 38, 40-42	
					60961-625	Right Hand, Includes Key Nos. 39-42	
23	68926-003M	Axle & Kingpin Assembly	1			***Tie Rod End	
24		Left Hand Lower Steering Knuckle Assembly, 250 Ackermann, Includes Key Nos. 29-30, 32, 35-36	1	38	68935-001	Left Hand	1
a	58900-267	Equipped with Hydraulic Brake		39	68935-002	Right Hand	1
b	58900-469	Equipped with Air Brake		40		**7/8" Castle Nut	2
25		Right Hand Lower Steering Knuckle Assembly, 250 Ackermann, Includes Key Nos. 29-30, 32, 35-36	1	41	22962-007	7/8" Flat Washer	2
a	58900-268	Equipped with Hydraulic Brake		42	17800-004	Tie Rod Nut Cotter Pin	2
b	58900-470	Equipped with Air Brake		43		*3/4"-16 UNF x 6 1/2" U-bolt	4
				44		*3/4"-16 UNF Hex Locknut	8
				45		*3/4" Hardened Washer	8
				46		*Auxiliary Spring	2

NOTES: * Not supplied by Hendrickson, used for reference only. Hendrickson is not responsible for components supplied by the vehicle manufacturer. For assistance with maintenance and rebuild instructions on these components see vehicle manufacturer.

** Item included in kit/assembly only, part not sold separately.

*** The tie rod assembly is designed for use on a suspension with hydraulic brakes, it is not designed for vehicles with air brakes.

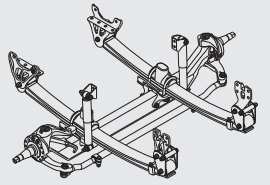
Hendrickson supplies different tie rod assemblies and each type may take a different replacement tie rod end kit to service. Prior to ordering find the part number on the tie rod tube, see Hendrickson Publication No. SEU-0223 or contact Hendrickson Truck Parts for corresponding kit numbers.



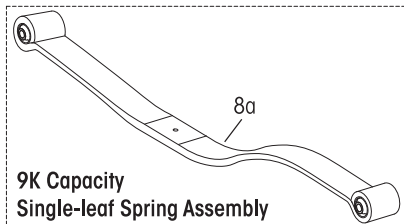
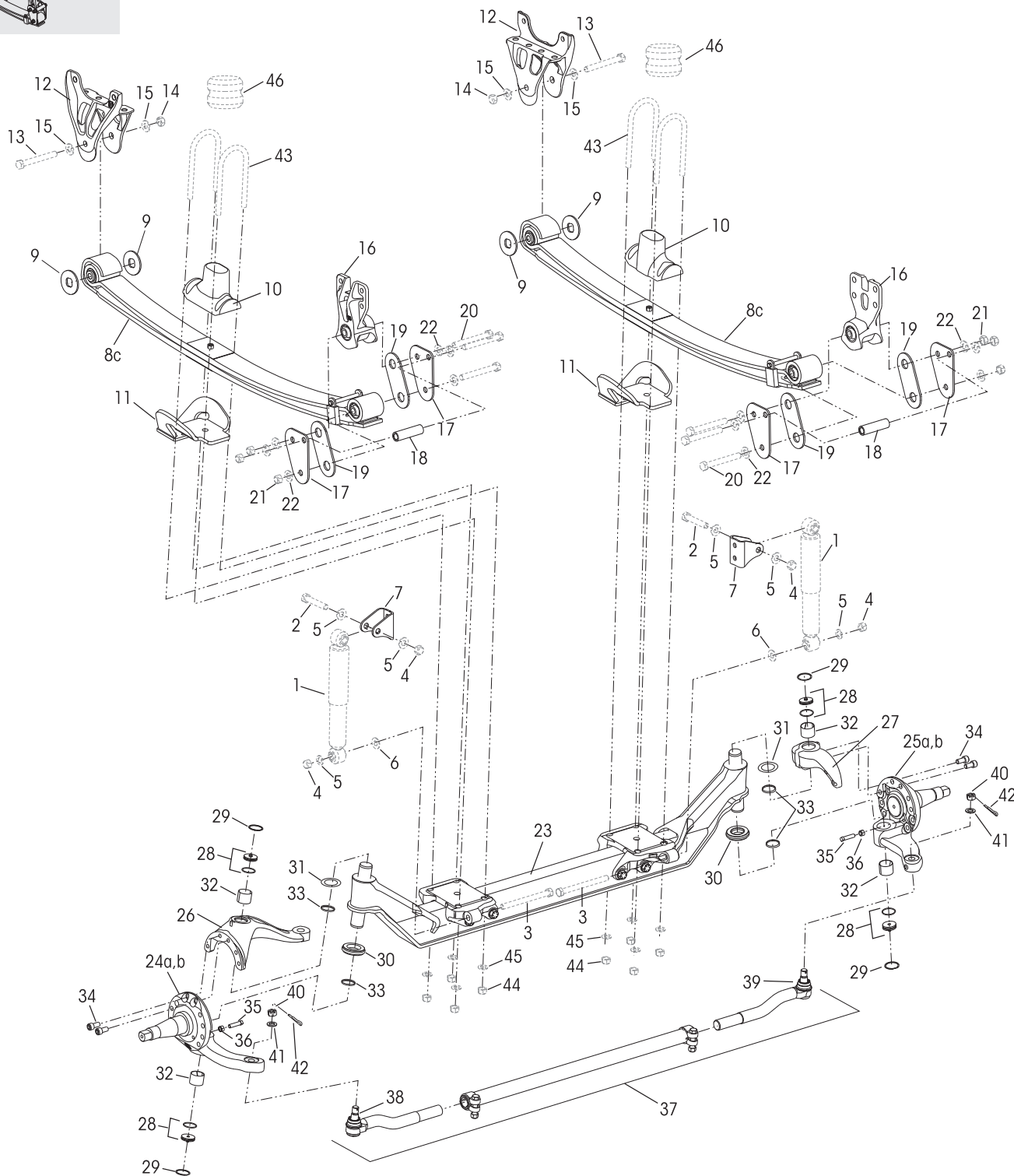
Motorhome Chassis

9K • 10K • 12K Capacity

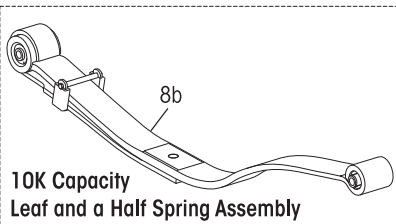
Built between 05/2010 and 03/2012



PARTS LISTS



9K Capacity Single-leaf Spring Assembly



10K Capacity Leaf and a Half Spring Assembly



KEY NO.	PART NO.	DESCRIPTION	VEHICLE QTY.	KEY NO.	PART NO.	DESCRIPTION	VEHICLE QTY.
1		*Shock Absorber	2	26	60903-051	Left Hand Upper Steering Knuckle Assembly Includes Key Nos. 32-33	1
2		*3/4"-10 UNC x 4" Upper Shock Bolt	2	27	60904-034	Right Hand Upper Steering Knuckle Assembly Includes Key Nos. 32-33	1
3		*3/4"-10 UNC x 5" Lower Shock Bolt	2		60961-039	Kingpin Bushing with Roller Thrust Bearing Service Kit, One Wheel End, Includes Key Nos. 28-34 & Loctite	
4		*3/4"-10 UNC Hex Locknut	4	28	59156-000	Grease Cap Assembly	4
5		*3/4" Hardened Washer	6	29	58937-000	Retaining Ring	4
6		* Shock Spacer - 1/8" Thick	2		60961-042	Roller Thrust Bearing Service Kit, One Wheel End, Includes Key Nos. 31-34 & Loctite	
7	59423-002	Shock Bracket	2	30	64256-000L	Roller Thrust Bearing	2
8		Spring Assembly, Includes Spring Eye Bushings	2	31		Kingpin Shim	As Req.
a	66415-002	9K, Single-leaf			60259-001X	0.005" Thickness (Pack of 4)	
b	65710-002	10K, Leaf and a Half			60259-002	0.047" Thickness	
c	68115-001	12K, 2-Leaf		32	58909-000	Kingpin Bushing	4
9	67493-000	Thrust Washer - Front Hanger	4	33	58910-001	Kingpin Seal	4
10	65714-000	Top Pad	2	34	60236-001	5/8"-11 UNC Socket Head Cap Screw	4
11	68759-003	Sway Bar Bracket	2	Not Shown	60937-000	Loctite (Red) Compound Tube	2
12	66297-000	Front Hanger	2		60961-069	Stop Bolt Service Kit, One Side, Includes Key Nos. 35-36	
13		*3/4"-10 UNC x 6 1/2" Bolt	2	35	60238-001	1/2"-13 UNC Square Head Bolt	2
14		*3/4"-10 UNC Locknut	2	36	60240-000	1/2"-13 UNC Hex Jam Nut	2
15		*3/4" Hardened Washer	4	37	68869-001	***Tie Rod Assembly, 9K•10K•12K 69 KPI, 5.36 Drop, 250 Ackermann Includes Key Nos. 38-40	1
16	64316-000	Rear Shackle Bracket and Bushing Assembly	2			*** Tie Rod End Service Kits	
17	66413-000	Rear Shackle Plate	4		60961-626	Axle Set, Includes Kit Nos. 60961-624 & -625	
18	60631-000	Rear Shackle Stop Tube	2		60961-624	Left Hand, Includes Key Nos. 38, 40-42	
19	64159-000	Rear Shackle Wear Pad	4		60961-625	Right Hand, Includes Key Nos. 39-42	
20		*3/4"-10 UNC x 6 1/2" Hex Bolt	6			***Tie Rod End	
21		*3/4"-10 UNC Hex Nylocknut	6	38	68935-001	Left Hand	1
22		*3/4" Hardened Washer	12	39	68935-002	Right Hand	1
		STEERTEK 1.5 Axle Assembly, 250 Ackermann	1	40		**7/8" Castle Nut	2
	68927-004	Equipped with Hydraulic Brake, <i>Replaces 66928-004, Includes Key Nos. 23, 24a-25a, 26-31, 34-37, 41-42</i>		41	22962-007	7/8" Flat Washer	2
	68927-005	Equipped with Air Brake, <i>Replaces 66928-005, Includes Key Nos. 23, 24b-25b, 26-31, 34-37, 41-42</i>		42	17800-004	Tie Rod Nut Cotter Pin	2
23	66926-003M	Axle & Kingpin Assembly, <i>Replaces 66926-002</i>	1	43		*3/4"-16 UNF x 6 1/2" U-bolt	4
24		Left Hand Lower Steering Knuckle Assembly, 250 Ackermann, Includes Key Nos. 32-33	1	44		*3/4"-16 UNF Hex Locknut	8
a	58900-067	Equipped with Hydraulic Brake		45		*3/4" Hardened Washer	8
b	58900-095	Equipped with Air Brake		46		*Auxiliary Spring	2
25		Right Hand Lower Steering Knuckle Assembly, 250 Ackermann, Includes Key Nos. 32-33	1				
a	58900-068	Equipped with Hydraulic Brake					
b	58900-096	Equipped with Air Brake					

PARTS LISTS

NOTES: * Not supplied by Hendrickson, used for reference only. Hendrickson is not responsible for components supplied by the vehicle manufacturer. For assistance with maintenance and rebuild instructions on these components see vehicle manufacturer.

** Item included in kit/assembly only, part not sold separately.

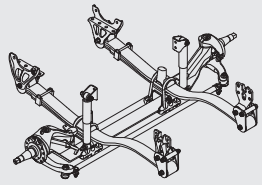
*** The tie rod assembly is designed for use on a suspension with hydraulic brakes, it is not designed for vehicles with air brakes.

Hendrickson supplies different tie rod assemblies and each type may take a different replacement tie rod end kit to service. Prior to ordering find the part number on the tie rod tube, see Hendrickson Publication No. SEU-0223 or contact Hendrickson Truck Parts for corresponding kit numbers.

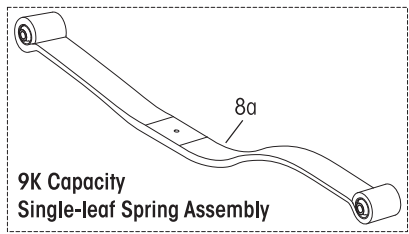
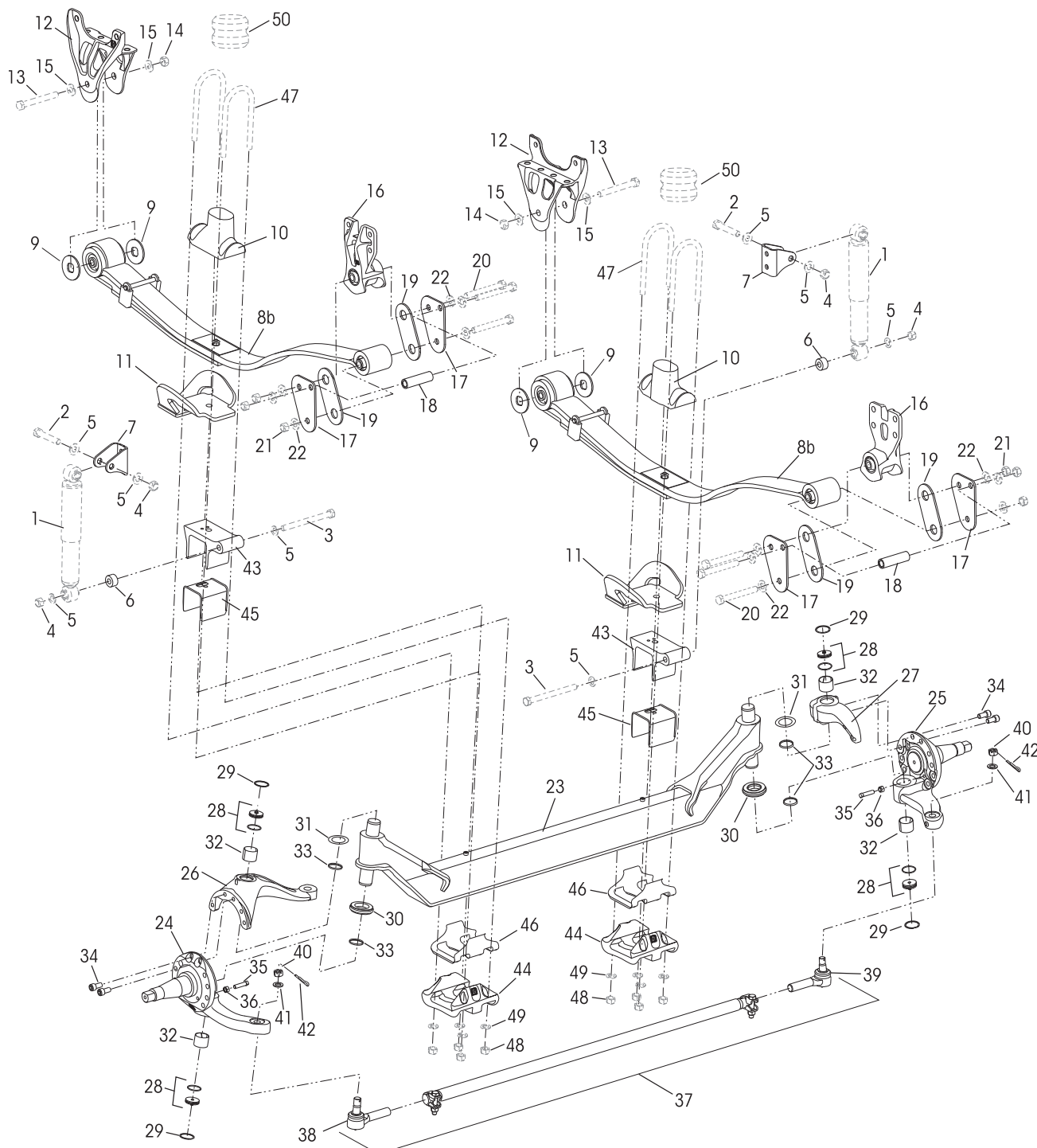


Motorhome Chassis – Built prior to May 2010

9K • 10K Capacity



PARTS LISTS

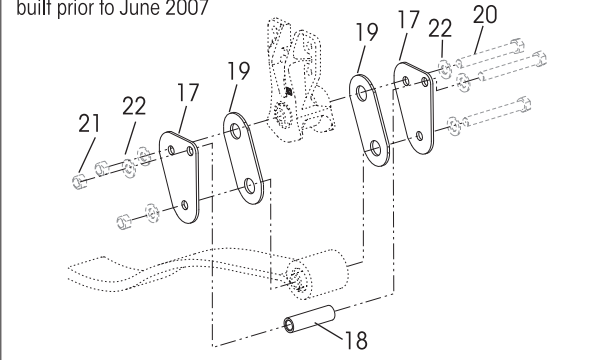




KEY NO.	PART NO.	DESCRIPTION	VEHICLE QTY.
1		*Shock Absorber	2
2		*3/4"-10 UNC x 4" Upper Shock Bolt	2
3		*3/4"-10 UNC x 5" Lower Shock Bolt	2
4		*3/4"-10 UNC Hex Locknut	4
5		*3/4" Hardened Washer	8
6	59946-002	Shock Spacer	2
7	59423-002	Shock Bracket	2
8		Spring Assembly, Includes Spring Eye Bushings	2
a	66415-002	9K, Single-leaf	
b	65710-002	10K, <i>Replaces 65710-001</i>	
9	67493-000	Thrust Washer - Front Hanger <i>Replaces 65899-000</i>	4
10	65925-000	Top Pad	2
11	68759-003	Sway Bar Bracket, <i>Replaces 66233-001</i>	2
12	66297-000	Front Hanger, <i>Replaces 65711-000</i>	2
13		*3/4"-10 UNC x 6 1/2" Bolt	2
14		*3/4"-10 UNC Locknut	2
15		*3/4" Hardened Washer	4
16	64316-000	Rear Shackle Bracket and Bushing Assembly	2
17	66413-000	Rear Shackle Plate <i>***Rear Shackle Plate 64314-000, Replace with Conversion Kit No. 60961-180</i>	4
18	60631-000	Rear Shackle Stop Tube	2
19	64159-000	Rear Shackle Wear Pad	4
20		*3/4"-10 UNC x 6 1/2" Hex Bolt	6
21		*3/4"-10 UNC Hex Locknut	6
22		*3/4" Hardened Washer	12
	70952-XXX	STEERTEK Axle Assembly, Includes Key Nos. 23-31, 34-37, 41-46, <i>contact Hendrickson Tech Services for Part No.</i>	1
23	64905-004	Axle & Kingpin Assembly	1
24		Left Hand Lower Steering Knuckle Assembly Includes Key Nos. 32-33	1
	58900-063	• 200 Ackermann Equipped with Hydraulic Brake	
	58900-067	• 250 Ackermann Equipped with Hydraulic Brake	
	58900-001	Equipped with Air Brake	
25		Right Hand Lower Steering Knuckle Assembly Includes Key Nos. 32-33	1
	58900-064	• 200 Ackermann Equipped with Hydraulic Brake	
	58900-068	• 250 Ackermann Equipped with Hydraulic Brake	
	58900-002	Equipped with Air Brake	
26	60903-051	Left Hand Upper Steering Knuckle Assembly Includes Key Nos. 32-33	1
27	60904-034	Right Hand Upper Steering Knuckle Assembly Includes Key Nos. 32-33	1
	60961-039	Kingpin Bushing with Roller Thrust Bearing Service Kit, One Wheel End, Includes Key Nos. 28-34 & Loctite	
28	59156-000	Grease Cap Assembly	4
29	58937-000	Retaining Ring	4
	60961-042	Roller Thrust Bearing Service Kit, One Wheel End, Includes Key Nos. 31-34 & Loctite	

KEY NO.	PART NO.	DESCRIPTION	VEHICLE QTY.
30	64256-000L	Roller Thrust Bearing	2
31		Kingpin Shim As Req.	
	60259-001X	0.005" Thickness (Pack of 4)	
	60259-002	0.047" Thickness	
32	58909-000	Kingpin Bushing	4
33	58910-001	Kingpin Seal, <i>Replaces 58910-000</i>	4
34	60236-001	5/8"-11 UNC Socket Head Cap Screw	4
Not Shown	60937-000	Loctite (Red) Compound Tube	2
	60961-069	Stop Bolt Service Kit, One Side, Includes Key Nos. 35-36	
35	60238-001	1/2"-13 UNC Square Head Bolt	2
36	60240-000	1/2"-13 UNC Hex Jam Nut	2
37	60239-007	****Tie Rod Assembly, 9•10K, 69 KPI, 5.36" Drop, 1 250 Ackermann, Includes Key Nos. 38-40, <i>Replaces 64801-006</i>	1
		****Tie Rod End Service Kits	
	60961-010	Axle Set, Includes Kit Nos. 60961-025 & -026 <i>Replaces 60961-081</i>	
	60961-025	Left Hand, Includes Key Nos. 38, 40-42 <i>Replaces 60961-083</i>	
	60961-026	Right Hand, Includes Key Nos. 39-42 <i>Replaces 60961-084</i>	
		****Tie Rod End	
38	64000-001	Left Hand, <i>Replaces 65033-001</i>	1
39	64000-002	Right Hand, <i>Replaces 65033-002</i>	1
40		**7/8" Castle Nut	2
41	22962-007	7/8" Flat Washer	2
42	17800-004	Tie Rod Nut Cotter Pin	2
43	59952-024	Top Axle Wrap	2
44	64723-002	Bottom Axle Wrap	2
45	60508-000	Top Axle Wrap Liner	2
46	59845-000	Bottom Axle Wrap Liner	2
47		*3/4"-16 UNF x 10" U-bolt	4
48		*3/4"-16 UNF Hex Locknut	8
49		*3/4" Hardened Washer	8
50		*Auxiliary Spring	2

Rear Shackle Plate Conversion Kit No. 60961-180 (Includes Key Nos. 17-22)
Component replacement for vehicles built prior to June 2007



NOTES: * Not supplied by Hendrickson, used for reference only. Hendrickson is not responsible for components supplied by the vehicle manufacturer. For assistance with maintenance and rebuild instructions on these components see vehicle manufacturer.

** Item included in kit/assembly only, part not sold separately.

*** No longer available. See Rear Shackle Plate Conversion Kit No. 60961-180.

**** The tie rod assembly is designed for use on a suspension with hydraulic brakes, it is not designed for vehicles with air brakes.

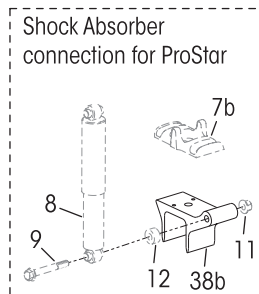
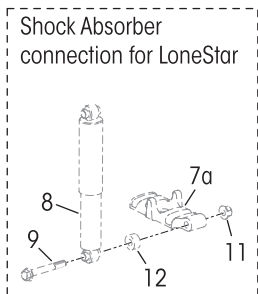
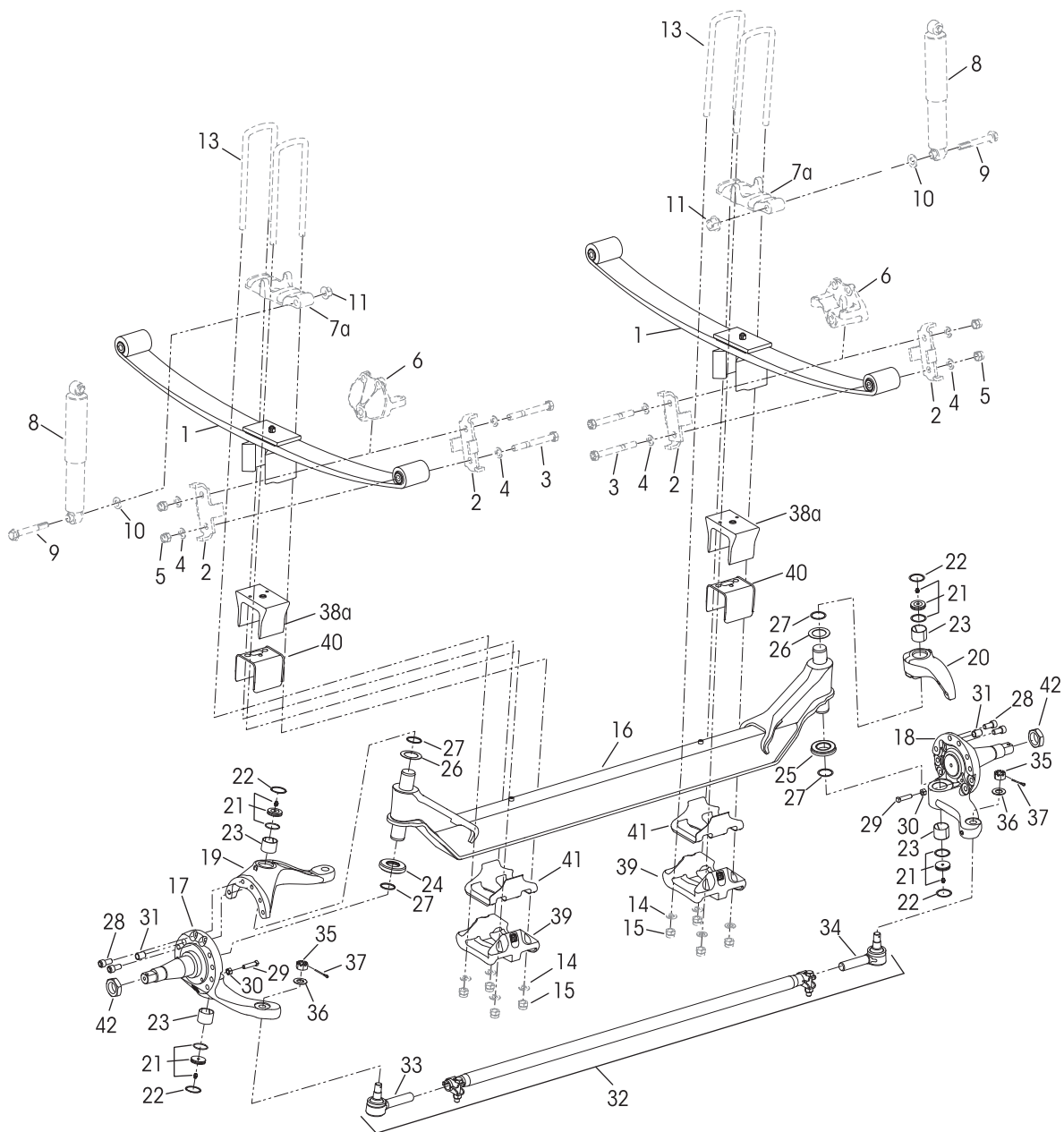
Hendrickson supplies different tie rod assemblies and each type may take a different replacement tie rod end kit to service. Prior to ordering find the part number on the tie rod tube, see Hendrickson Publication No. SEU-0223 or contact Hendrickson Truck Parts for corresponding kit numbers.



Built prior to June 2014

LoneStar 12.35K • ProStar 12K, 12.35K
TranStar 12K • 9200/9400/8600 12K

PARTS LISTS





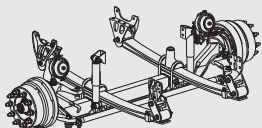
KEY NO.	PART NO.	DESCRIPTION	VEHICLE QTY.	KEY NO.	PART NO.	DESCRIPTION	VEHICLE QTY.
1	53597-000	Monoleaf Spring Assembly, Includes Bushings LoneStar • ProStar • 9200/9400 Models <i>Replaces 53297-000, 67399-001, 66347-001, 53497-000</i>	2	20	60904-034	Right Hand Upper Steering Knuckle Assembly, Includes Key Nos. 23, 27	1
	53598-000	TranStar • 8600 Models <i>Replaces 53298-000, 67399-002, 66347-002, 53498-000</i>			60961-040	Kingpin Bushing and Bearing Service Kits Axle Set , Includes Kit Nos. 60961-009 & -039	
2		*Shackle Plate	4		60961-009	Left Hand with Composite Thrust Bearing , Includes Key Nos. 21-24, 26-28 & Loctite	
3		*¾"-16 UNF x 6½" Bolt	4		60961-039	Right Hand with Roller Thrust Bearing , Includes Key Nos. 21-23, 25-28 & Loctite	
4		*¾" Flat Washer	8	21	59156-000	Grease Cap Assembly	4
5		*¾"-16 UNF Locknut	4	22	58937-000	Retaining Ring	4
6		*Rear Spring Mount	2	23	58909-000	Kingpin Bushing	4
7		*Top Pad	2			Thrust Bearing Service Kits	
a		LoneStar • TranStar • 9200/9400/8600 Models			60961-043	Axle Set , Includes Kit Nos. 60961-041 & -042	
b		ProStar Model			60961-041	Left Hand Composite Thrust Bearing , Includes Key Nos. 24, 26-28 & Loctite	
8		*Shock Absorber	2		60961-042	Right Hand Roller Thrust Bearing , Includes Key Nos. 25-28 & Loctite	
9		*¾"-10 UNC x 5" Lower Shock Flange Bolt	2	24	59828-000	Left Hand Composite Thrust Bearing	1
10		*¾" Lower Shock Hardened Washer	2	25	64256-000L	Right Hand Roller Thrust Bearing	1
11		*¾"-10 UNC Lower Shock Flange Locknut	2	26		Kingpin Shim	As Req.
12		*Shock Spacer - 19 mm	2		60259-001X	0.005" Thickness (Pack of 4)	
13		*¾"-16 UNF U-bolt 7.75" Ride Height - 13" Long 7.00" Ride Height - 12¼" Long	4		60259-002	0.047" Thickness	
14		*¾" Flat Washer	8	27	58910-001	Kingpin Seal, <i>Replaces 58910-000</i>	4
15		*¾"-16 UNF Locknut	8	28	60236-001	⅝"-1 1/8 UNC Socket Head Cap Screw	4
		STEERTEK Axle Assembly, Includes Key Nos. 16-42	1	Not Shown	60937-000	Loctite® (Red) Compound Tube	1
	70952-311	12.35K, LoneStar Model Above 200" Wheel Base			60961-069	Stop Bolt Service Kit, One Side , Includes Key Nos. 29-30	
	70952-310	Below 200" Wheel Base		29	60238-001	½"-13 UNC Square Head Bolt	2
	70952-313	12K, 12.35K, ProStar Model Above 200" Wheel Base		30	60240-000	½"-13 UNC Hex Jam Nut	2
	70952-312	Below 200" Wheel Base		31	64246-000	ABS Sensor Sleeve	2
	70952-278	12K, 9200/9400 Model Above 200" Wheel Base		32		Tie Rod Assembly, Includes Key Nos. 33-35 <i>See Selection Guide on Page 133</i>	1
	70952-279	Below 200" Wheel Base				Tie Rod End Service Kits, See Selection Guide <i>on Page 133</i>	
	70952-280	12K, TranStar • 8600 Model Above 200" Wheel Base				Axle Set , Includes Left Hand & Right Hand Kits	
	70952-281	Below 200" Wheel Base				Left Hand , Includes Key Nos. 33, 35-37	
16	64905-001	Axle & Kingpin Assembly	1			Right Hand , Includes Key Nos. 34-37	
17		Left Hand Lower Steering Knuckle Assembly, Includes Key Nos. 23, 27, 31	1			Tie Rod End, Includes Key No. 32, <i>See Selection</i> <i>Guide on Page 133</i>	
	58900-073	Above 200" Wheel Base		33		Left Hand	1
	58900-075	Below 200" Wheel Base		34		Right Hand	1
18		Right Hand Lower Steering Knuckle Assembly, Includes Key Nos. 23, 27, 31	1	35		**⅞" Castle Nut	2
	58900-074	Above 200" Wheel Base		36	22962-007	⅞" Flat Washer	2
	58900-076	Below 200" Wheel Base		37	17800-004	Tie Rod Nut Cotter Pin	2
19		Left Hand Upper Steering Knuckle Assembly, Includes Key Nos. 23, 27	1	38		Top Axle Wrap	2
	60903-056	LoneStar Model		a	59952-023	LoneStar • TranStar • 9200/9400/8600 Models	
	60903-042	ProStar • 9200/9400 Models		b	59952-032	ProStar Model	
	60903-044	TranStar • 8600 Model		39	64722-003	Bottom Axle Wrap	2
				40	65757-000	Top Axle Wrap Liner	2
				41	59845-000	Bottom Axle Wrap Liner	2
				42	64578-000	1½"-12 UNF Spindle Nut	2

NOTES: * Not supplied by Hendrickson, used for reference only. Hendrickson is not responsible for components supplied by the vehicle manufacturer. For assistance with maintenance and rebuild instructions on these components see vehicle manufacturer.

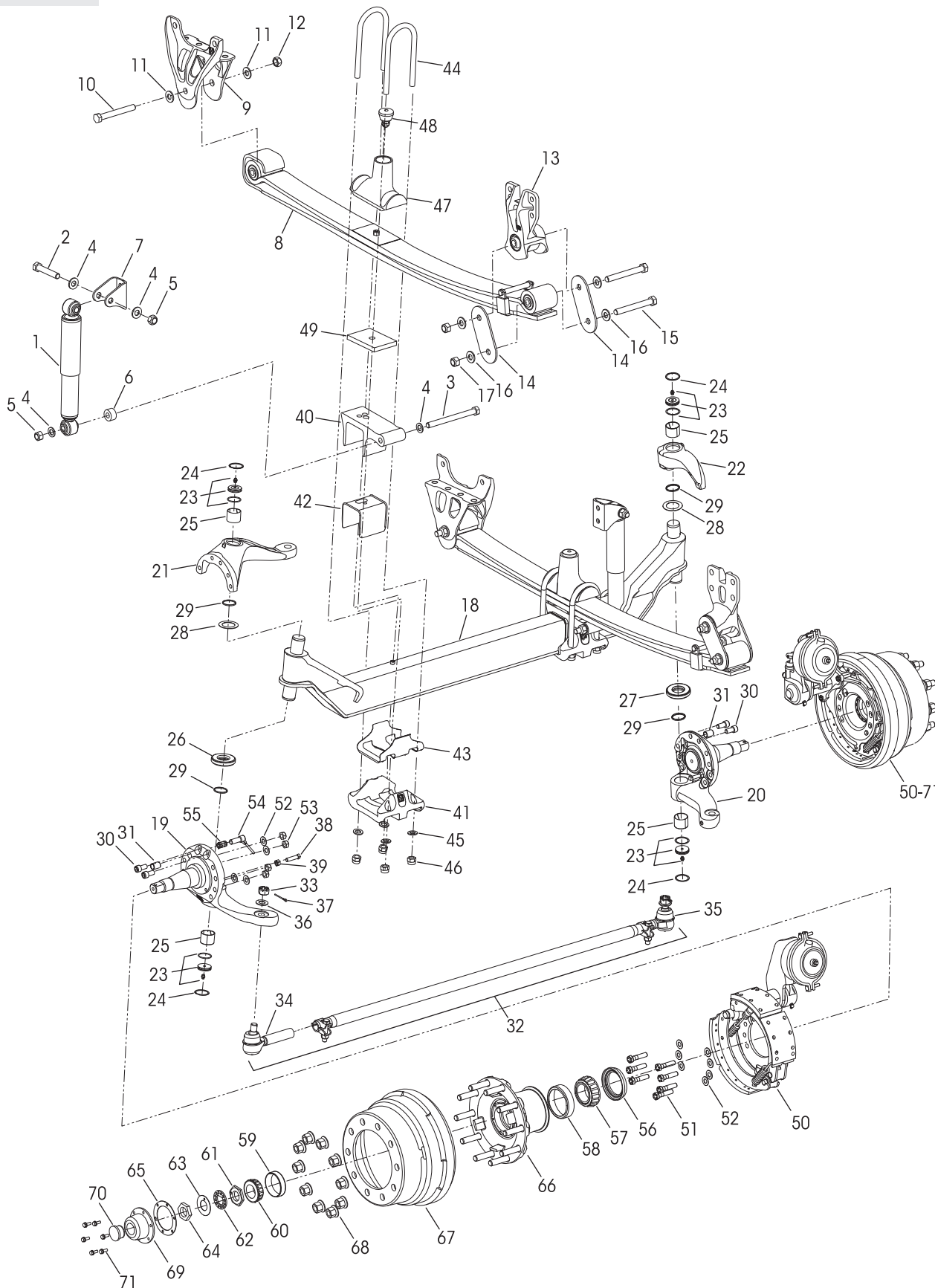
** Item included in kit/assembly only, part not sold separately.



Equipped with Drum Brakes



PARTS LISTS





VEHICLE				VEHICLE			
KEY NO.	PART NO.	DESCRIPTION	QTY.	KEY NO.	PART NO.	DESCRIPTION	QTY.
1	58913-009L	Shock Absorber	2			Tie Rod End Service Kits	
2	58917-001	¾"-10 UNC x 4¼" Upper Shock Bolt	2		60961-734	Axle Set , Includes Kit Nos. 60961-736 & -741	
3	58917-016	¾"-10 UNC x 8½" Lower Shock Bolt	2		60961-736	Left Hand , Includes Key Nos. 33-34, 36-37	
4	22962-001	¾" Hardened Washer	8		60961-741	Right Hand , Includes Key Nos. 33, 35-37	
5	49842-000	¾"-10 UNC Hex Locknut	4	34	70995-001	Left Hand Tie Rod End, 1 ½" Threads	1
6	59946-001	Shock Spacer	2	35	70995-002	Right Hand Tie Rod End, 1 ½" Threads	1
7	59423-002	Shock Bracket	2	36	22962-007	¾" Flat Washer	2
	60961-162	Leaf Spring Assembly Service Kit , Includes Key Nos. 8, 13-14		37	17800-004	Tie Rod Nut Cotter Pin	2
8	53624-000	Leaf Spring Assembly	2		60961-069	Stop Bolt Service Kit, One Side , Includes Key Nos. 38-39	
9	64488-002	Front Hanger	2	38	60238-001	½"-13 UNC x 2" Square Head Bolt	2
10	58258-008	M20 x 160 mm Hex Bolt	2	39	60240-000	½"-13 UNC Hex Jam Nut	2
11	58246-004	M20 Hardened Washer	4	40	59952-003	Top Axle Wrap	2
12	58259-000	M20 Locknut	2	41	64722-003	Bottom Axle Wrap	2
13	66510-001	Rear Shackles Bracket Assembly	2	42	60508-000	Top Axle Wrap Liner	2
14	64314-000	Rear Shackles Plate	4	43	59845-000	Bottom Axle Wrap Liner	2
15	58258-008	M20 x 160 mm Hex Bolt	4		60961-140	Clamp Group Service Kit, One Side , Includes Key Nos. 44-46	
16	58246-004	M20 Hardened Washer	8	44	64804-110	¾"-16 UNF x 1 1/8" U-bolt	4
17	58259-000	M20 Locknut	4	45	22962-001	¾" Flat Washer	8
	64502-048	STEERTEK Axle Assembly with Brake Assembly, Includes Key Nos. 18-43, 50-71		46	17700-035	¾"-16 UNF 2B Nylon Locknut	8
18	64905-001	Axle & Kingpin Assembly	1		64506-000	Top Pad/Axle Stop Assembly Includes Key Nos. 47-48	
		Lower Steering Knuckle Assembly, Includes Key Nos. 25, 29, 31		47	64519-000	Top Pad	2
19	58900-027	Left Hand	1	48	64080-000	Rubber Axle Stop	2
20	58900-028	Right Hand	1	49	70105-010	Front Axle Spacer - 10 mm	2
		Upper Steering Knuckle Assembly, Includes Key Nos. 25, 29		50		**Meritor Drum Brake Assembly, 15" x 4" Left Hand Part No. QP4-1540-3085 Right Hand Part No. QP4-1540-3086	1 1
21	60903-034	Left Hand, <i>Replaces 60903-004</i>	1	51	32043-002	¾"-11 UNC x 2¾" Hex Bolt	14
22	60904-002	Right Hand	1	52	22962-036	¾" Hardened Washer	22
		Kingpin Bushing and Bearing Service Kits		53	47764-000	¾"- UNC Locknut	8
	60961-040	Axle Set , Includes Kit Nos. 60961-009 & -039		54	64547-000	ABS Sensor	2
	60961-009	Left Hand with Composite Thrust Bearing , Includes Key Nos. 23-26, 28-30 & Loctite		55	64550-000	ABS Sensor Clip	2
	60961-039	Right Hand with Roller Thrust Bearing , Includes Key Nos. 23-25, 27-30 & Loctite		56		**Federal Mogul Wheel Seal Kit No. M380001 TX0 **Timken Inner Bearing One Side, Set No. 413 , Includes Key Nos. 57-58	2 2
23	59156-000	Grease Cap Assembly	4	57		Inner Bearing Cone	2
24	58937-000	Retaining Ring	4	58		Inner Bearing Cup	2
25	58909-000	Kingpin Bushing	4			**Timken Outer Bearing One Side, Set No. 406 , Includes Key Nos. 59-60	
		Thrust Bearing Service Kits		59		Outer Bearing Cup	2
	60961-043	Axle Set , Includes Kit Nos. 60961-041 & -042		60		Outer Bearing Cone	2
	60961-041	Left Hand Composite Thrust Bearing , Includes Key Nos. 26, 28-30 & Loctite		61		**Meritor 1 ½"-12 UNF Inner Wheel Bearing Adj. Nut Part No. 1227-U-541	2
	60961-042	Right Hand Roller Thrust Bearing , Includes Key Nos. 27-30 & Loctite		62		**Meritor ¾" Wheel End Lock Ring Part No. 1229-G-475	2
26	59828-000	Left Hand Composite Thrust Bearing	1	63		**Meritor 0.05" Wheel End Lock Washer Part No. 1229-F-474	2
27	64256-000L	Right Hand Roller Thrust Bearing	1	64		**Meritor Wheel End Outer Nut No. 1227-B-106	2
28		Kingpin Shim	As Req.	65		**Stemco Hubcap Gasket Part No. 330-3024	2
	60259-001X	0.005" Thickness (Pack of 4)		66		**Webb Hub Part No. 25201-1T	2
	60259-002	0.047" Thickness		67		**Webb Drum Part No. 65545B	2
29	58910-001	Kingpin Seal	4	68		**M22 x 1.5 Two-piece Wheel Nut	20
30	60236-001	¾"-11 UNC Socket Head Cap Screw	4	69		**Stemco Hubcap Assembly - 6" , Kit No. 343-4346, Includes Key No. 70	2
	60937-000	Loctite (Red) Compound Tube (Not Shown)	1	70		*Rubber Plug	2
31	64246-000	ABS Sensor Sleeve	2	71	64545-002	¾"-18 UNC x ¾" Hex Bolt with Retainer Washer	12
32	76877-003	Tie Rod Assembly, Includes Key Nos. 33-35	1				
33		*¾" Castle Nut	2				

NOTES: * Item included in assembly only, part not sold separately.

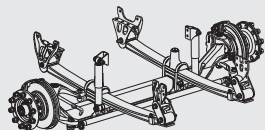
** Not supplied by Hendrickson for aftermarket service purposes. Description and part number listed for reference only. For more information and assistance with service, maintenance and rebuild instructions on these components see below component manufacturers:

- Federal Mogul Technical and Part Support 800.325.8886 or go to www.fme-cat.com
- Meritor Technical and Part Support 888.725.9355, or for parts www.meritorpartsexpress.com and for technical support www.meritorbullpen.com
- Stemco Technical and Part Support 800.527.8492 or go to www.stemco.com
- Timken at Technical and Part Support 866.984.6536 or go to www.timken.com/resources or Timken YouTube series, Timken Tricks of the Trade (Installing a Timken® Set-Right® Bearing)
- WABCO Technical and Part Support 855.228.3203 or go to www.wabco-auto.com/aftermarket-services/inform-product-catalog
- Webb technical and part support 800.633.3256 or online at www.webbwheel.com

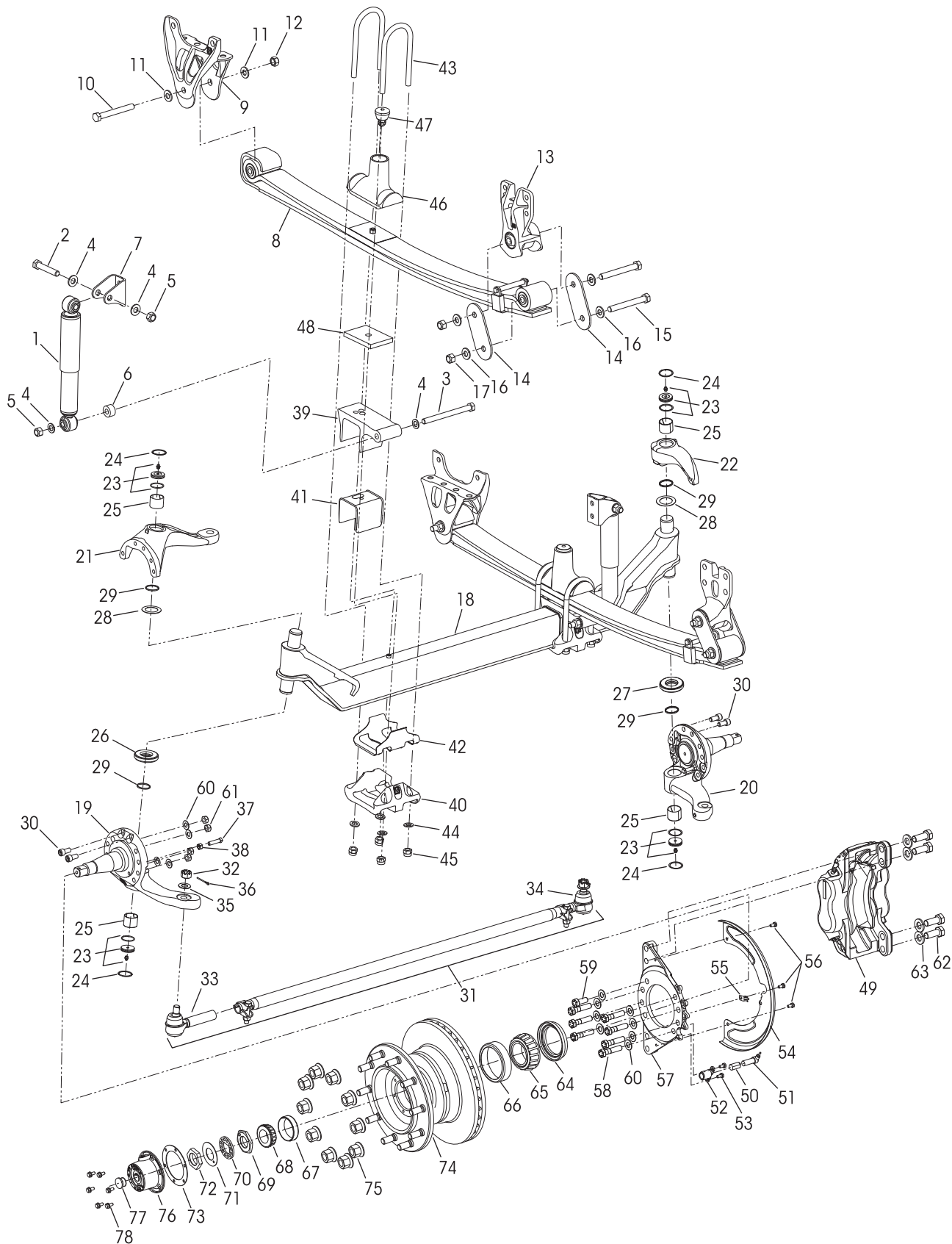
*** Not supplied by Hendrickson, used for reference only. Contact the vehicle manufacturer for more information.



Equipped with Air Disc Brakes



PARTS LISTS



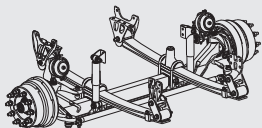


VEHICLE				VEHICLE			
KEY NO.	PART NO.	DESCRIPTION	QTY.	KEY NO.	PART NO.	DESCRIPTION	QTY.
1	58913-009L	Shock Absorber	2	35	22962-007	7/8" Flat Washer	2
2	58917-001	3/4"-10 UNC x 4 1/4" Upper Shock Bolt	2	36	17800-004	Tie Rod Nut Cotter Pin	2
3	58917-016	3/4"-10 UNC x 8 1/2" Lower Shock Bolt	2		60961-069	Stop Bolt Service Kit, One Side, Includes Key Nos. 37-38	
4	22962-001	3/4" Hardened Washer	8	37	60238-001	1/2"-13 UNC x 2" Square Head Bolt	2
5	49842-000	3/4"-10 UNC Hex Locknut	4	38	60240-000	1/2"-13 UNC Hex Jam Nut	2
6	59946-001	Shock Spacer	2	39	59952-003	Top Axle Wrap	2
7	59423-002	Shock Bracket	2	40	64722-003	Bottom Axle Wrap	2
	60961-162	Leaf Spring Assembly Service Kit, Includes Key Nos. 8, 13-14		41	60508-000	Top Axle Wrap Liner	2
8	53624-000	Leaf Spring Assembly	2	42	59845-000	Bottom Axle Wrap Liner	2
9	64488-002	Front Hanger	2		60961-140	Clamp Group Service Kit, One Side, Includes Key Nos. 43-45	
10	58258-008	M20 x 160 mm Hex Bolt	2	43	64804-110	3/4"-16 UNF x 1 1/2" U-bolt	4
11	58246-004	M20 Hardened Washer	4	44	22962-001	3/4" Flat Washer	8
12	58259-000	M20 Locknut	2	45	17700-035	3/4"-16 UNF 2B Nylon Locknut	8
13	66510-001	Rear Shackle Bracket Assembly	2		64506-000	Top Pad/Axle Stop Assembly Includes Key Nos. 46-47	
14	64314-000	Rear Shackle Plate	4	46	64519-000	Top Pad	2
15	58258-008	M20 x 160 mm Hex Bolt	4	47	64080-000	Rubber Axle Stop	2
16	58246-004	M20 Hardened Washer	8	48	70105-010	Front Axle Spacer - 10 mm	2
17	58259-000	M20 Locknut	4	49		**Meritor Brake Caliper Assembly Left Hand Part No. 60450482007 Right Hand Part No. 60450483007	2
		STEERTEK Axle Assembly with Brake Assembly, Includes Key Nos. 18-42, 49-65, 68-78		50		**Wabco ABS Sensor Clip Part No. 300088	2
	64502-050	Vehicles built AFTER July 20, 2017		51		**Wabco ABS Sensor Part No. 441 032 814 0	2
	64502-049	Vehicles built PRIOR TO July 20, 2017		52		**Meritor ABS Bracket Part No. 69180466	2
18	64905-001	Axle & Kingpin Assembly	1	53	18160-012	5/8"-18 UNC x 1/2" Bolt (ABS Bracket)	4
		Steering Knuckle Assembly, Includes Key Nos. 25, 29		54		**Meritor Dust Shield Part No. 3264W1453	2
19		Left Hand Lower	1	55		**Meritor Dust Shield Clip Part No. 2257V1270	2
	58900-053	Vehicles built AFTER July 20, 2017		56	64201-001	M8 x 1 1/4"-6G Cap Screw (Dust Shield)	6
	58900-061	Vehicles built PRIOR TO July 20, 2017		57		**Meritor Torque Plate Left Hand Part No. 69120952 Right Hand Part No. 69120951	2
20		Right Hand Lower	1	58	32043-002	5/8"-11 UNC x 2 3/4" Hex Bolt (Torque Plate)	14
	58900-054	Vehicles built AFTER July 20, 2017		59	32043-021	5/8"-11 UNC x 1 1/2" Hex Bolt (Torque Plate)	2
	58900-062	Vehicles built PRIOR TO July 20, 2017		60	22962-036	3/4" Hardened Washer (Torque Plate)	24
21	60903-034	Left Hand Upper, <i>Replaces 60903-004</i>	1	61	47764-000	5/8"-11 UNC Locknut (Torque Plate)	8
22	60904-002	Right Hand Upper	1	62	58258-017	M20 x 2.5-6G Hex Bolt (Caliper)	8
		Kingpin Bushing and Bearing Service Kits		63	58246-018	M20 Hardened Washer (Caliper) <i>Replaces 58246-009</i>	8
	60961-040	Axle Set, Includes Kit Nos. 60961-009 & -039		64		**Federal Mogul Wheel Seal Kit No. M380001TX0	2
	60961-009	Left Hand with Composite Thrust Bearing, Includes Key Nos. 23-26, 28-30 & Loctite				**Timken Inner Bearing One Side, Set No. 413, Includes Key Nos. 65-66	
	60961-039	Right Hand with Roller Thrust Bearing, Includes Key Nos. 23-25, 27-30 & Loctite		65		Inner Bearing Cone	2
23	59156-000	Grease Cap Assembly	4	66		Inner Bearing Cup	2
24	58937-000	Retaining Ring	4			**Timken Outer Bearing One Side, Set No. 406, Includes Key Nos. 67-68	
25	58909-000	Kingpin Bushing	4	67		Outer Bearing Cup	2
		Thrust Bearing Service Kits		68		Outer Bearing Cone	2
	60961-043	Axle Set, Includes Kit Nos. 60961-041 & -042		69		**Meritor 1 1/2"-12 UNF Inner Wheel Bearing Adj. Nut Part No. 1227-U-541	2
	60961-041	Left Hand Composite Thrust Bearing, Includes Key Nos. 26, 28-30 & Loctite		70		**Meritor 3/16" Wheel End Lock Ring Part No. 1229-G-475	2
	60961-042	Right Hand Roller Thrust Bearing, Includes Key Nos. 27-30 & Loctite		71		**Meritor 0.05" Wheel End Lock Washer Part No. 1229-F-474	2
26	59828-000	Left Hand Composite Thrust Bearing	1	72		**Meritor Wheel End Outer Nut No. 1227-B-106	2
27	64256-000L	Right Hand Roller Thrust Bearing	1	73		**Stemco Hubcap Gasket Part No. 330-3024	2
28		Kingpin Shim	As Req.	74		**Meritor Hub & Rotor Assembly, Steel Hub 15.38 x 1.54 Rotor Part No. 17160671003	2
	60259-001X	0.005" Thickness (Pack of 4)		75		***M22 x 1.5 Two-piece Wheel Nut	20
	60259-002	0.047" Thickness		76		**Stemco Hubcap Assembly - 6", Kit No. 343-4346, Includes Key No. 77	2
29	58910-001	Kingpin Seal	4	77		*Rubber Plug	2
30	60236-001	5/8"-11 UNC Socket Head Cap Screw	4	78	64545-002	5/8"-18 UNC x 3/4" Hex Bolt with Retainer Washer (Hubcap Bolts)	12
	60937-000	Loctite (Red) Compound Tube (Not Shown)	1				
31		Tie Rod Assembly, 1 1/8" Threads, Includes Key Nos. 32-34	1				
	76877-002	Vehicles built AFTER July 20, 2017					
	76877-003	Vehicles built PRIOR TO July 20, 2017					
		Tie Rod End Service Kits					
	60961-734	Axle Set, Includes Kit Nos. 60961-736 & -741					
	60961-736	Left Hand, Includes Key Nos. 32, 34-36					
	60961-741	Right Hand, Includes Key Nos. 33-36					
		Tie Rod End, 1 1/8" Threads, Includes Key No. 34					
32	70995-001	Left Hand	1				
33	70995-002	Right Hand	1				
34		*7/8" Castle Nut	2				

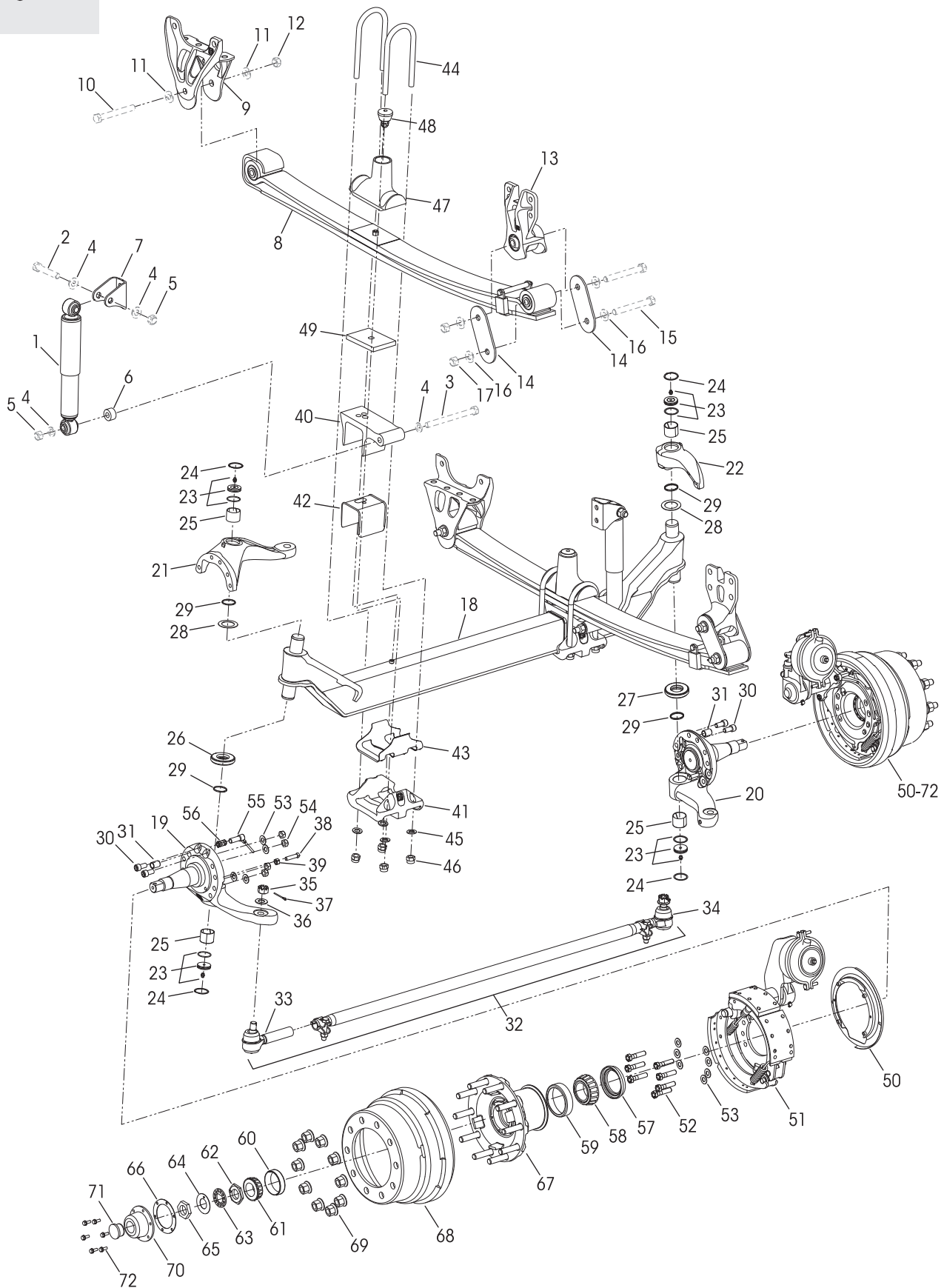


Equipped with Drum Brakes

10K Capacity



PARTS LISTS





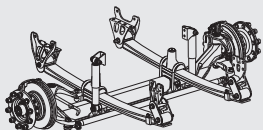
KEY NO.	PART NO.	DESCRIPTION	VEHICLE QTY.
1	58913-009L	Shock Absorber	2
2		*¾"-10 UNC Upper Shock Bolt	2
3		*¾"-10 UNC Lower Shock Bolt	2
4		*¾" Hardened Washer	8
5		*¾"-10 UNC Hex Locknut	4
6	59946-001	Shock Spacer	2
7	59423-002	Shock Bracket	2
	60961-162	Leaf Spring Assembly Service Kit, Includes Key Nos. 8, 13-14	
8	53624-000	Leaf Spring Assembly, <i>Replaces 66624-001</i>	2
9	64488-002	Front Hanger	2
10		*M20 Hex Bolt	2
11		*M20 Hardened Washer	4
12		*M20 Locknut	2
13	66510-001	Rear Shackles Bracket	2
14	64314-000	Rear Shackles Plate	4
15		*M20 Hex Bolt	4
16		*M20 Hardened Washer	8
17		*M20 Locknut	4
18	64905-001	Axle & Kingpin Assembly Lower Steering Knuckle Assembly, Includes Key Nos. 25, 29, 31	1
19	58900-027	Left Hand	1
20	58900-028	Right Hand	1
		Upper Steering Knuckle Assembly, Includes Key Nos. 25, 29	
21	60903-034	Left Hand, <i>Replaces 60903-004</i>	1
22	60904-002	Right Hand	1
		Kingpin Bushing and Bearing Service Kits	
	60961-040	Axle Set, Includes Kit Nos. 60961-009 & -039	
	60961-009	Left Hand with Composite Thrust Bearing, Includes Key Nos. 23-26, 28-30 & Loctite	
	60961-039	Right Hand with Roller Thrust Bearing, Includes Key Nos. 23-25, 27-30 & Loctite	
23	59156-000	Grease Cap Assembly	4
24	58937-000	Retaining Ring	4
25	58909-000	Kingpin Bushing	4
		Thrust Bearing Service Kits	
	60961-043	Axle Set, Includes Kit Nos. 60961-041 & -042	
	60961-041	Left Hand Composite Thrust Bearing, Includes Key Nos. 26, 28-30 & Loctite	
	60961-042	Right Hand Roller Thrust Bearing, Includes Key Nos. 27-30 & Loctite	
26	59828-000	Left Hand Composite Thrust Bearing	1
27	64256-000L	Right Hand Roller Thrust Bearing	1
28		Kingpin Shim As Req.	
	60259-001X	0.005" Thickness (Pack of 4)	
	60259-002	0.047" Thickness	
29	58910-001	Kingpin Seal	4
30	60236-001	¾"-11 UNC Socket Head Cap Screw	4
	60937-000	Loctite (Red) Compound Tube (Not Shown)	1
31	64246-000	ABS Sensor Sleeve	2
32		Tie Rod Assembly, Includes Key Nos. 33-35 <i>See Selection Guide on Page 150</i>	1
	60961-XXX	Tie Rod End Service Kits <i>See Selection Guide on Page 150</i>	
		Axle Set, Includes Left Hand & Right Hand Kits	
		Left Hand, Includes Key Nos. 33, 35-37	
		Right Hand, Includes Key Nos. 34-37	

KEY NO.	PART NO.	DESCRIPTION	VEHICLE QTY.
		Tie Rod Ends, Includes Key No. 35 <i>See Selection Guide on Page 150</i>	
33		Left Hand	1
34		Right Hand	1
35		**¾" Castile Nut	2
36	22962-007	¾" Flat Washer	2
37	17800-004	Tie Rod Nut Cotter Pin	2
	60961-069	Stop Bolt Service Kit, One Side, Includes Key Nos. 38-39	
38	60238-001	½"-13 UNC x 2" Square Head Bolt	2
39	60240-000	½"-13 UNC Hex Jam Nut	2
40	59952-003	Top Axle Wrap	2
41	64722-003	Bottom Axle Wrap	2
42	60508-000	Top Axle Wrap Liner, <i>Replaces 59449-000</i>	2
43	59845-000	Bottom Axle Wrap Liner	2
	60961-140	Clamp Group Service Kit, One Side, Includes Key Nos. 44-46	
44	64804-110	¾"-16 UNF x 11" U-bolt	4
45	22962-001	¾" Flat Washer	8
46	17700-035	¾"-16 UNF 2B Nylon Locknut	8
	64506-000	Top Pad/Axle Stop Assembly, Includes Key Nos. 47-48	
47	64519-000	Top Pad	2
48	64080-000	Rubber Axle Stop	2
49	70105-010	Front Axle Spacer, <i>Replaces 64536-010</i>	2
	18831-021	Dowel Pin 2" (Not Shown)	2
50		****Meritor Dust Shield Part No. 3264-R-1292	2
51		****Meritor Drum Brake Assembly, 15" x 4" Left Hand Part No. QP4-1540-3085	1
		Right Hand Part No. QP4-1540-3086	1
52	32043-002	¾"-11 UNC x 2¾" Hex Bolt	14
53	22962-036	¾" Hardened Washer	22
54	47764-000	¾"- UNC Locknut	8
55	64547-000	ABS Sensor	2
56	64550-000	ABS Sensor Clip	2
57		****Federal Mogul Wheel Seal Kit No. M380001TX0	2
		****Timken Inner Bearing One Side, Set No. 413, Includes Key Nos. 58-59	
58		Inner Bearing Cone	2
59		Inner Bearing Cup	2
		****Timken Outer Bearing One Side, Set No. 406, Includes Key Nos. 60-61	
60		Outer Bearing Cup	2
61		Outer Bearing Cone	2
62		****Meritor 1½"-12 UNF Inner Wheel Bearing Adj. Nut Part No. 1227-U-541	2
63		****Meritor ¾" Wheel End Lock Ring Part No. 1229-G-475	2
64		****Meritor 0.05" Wheel End Lock Washer Part No. 1229-F-474	2
65		****Meritor Wheel End Outer Nut No. 1227-B-106	2
66		****Stemco Hubcap Gasket Part No. 330-3024	2
67		****Webb Hub Part No. 25201-1T	2
68		****Webb Drum Part No. 65545B	2
69		*M22 x 1.5 Two-piece Wheel Nut	20
70		****Stemco Hubcap Assembly - 6", Kit No. 343-4346, Includes Key No. 71	2
71		**Rubber Plug	2
72	64545-002	¾"-18 UNC x ¾" Hex Bolt with Retainer Washer (Hubcap Bolts)	12

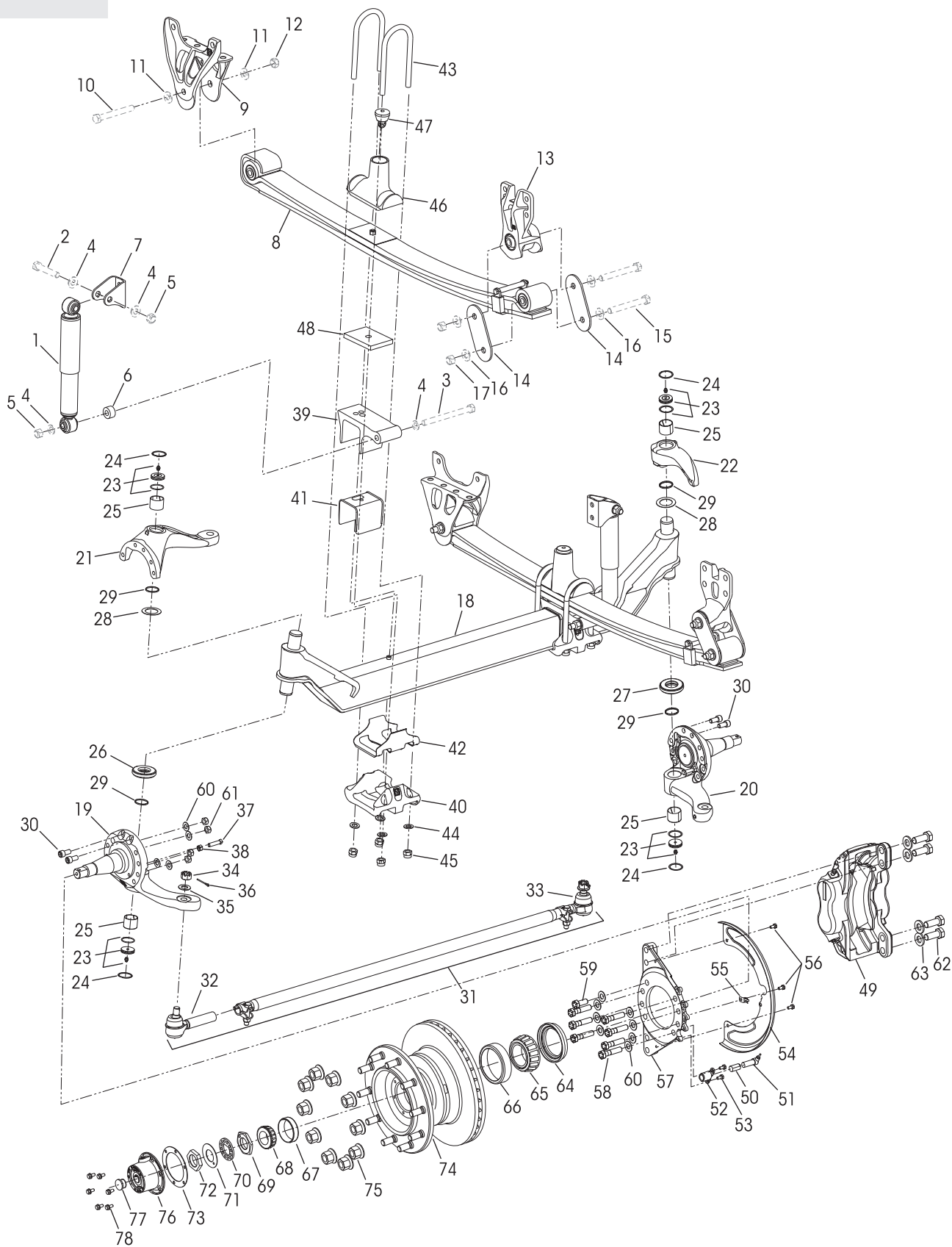


Equipped with Air Disc Brakes

10K Capacity



PARTS LISTS





VEHICLE				VEHICLE			
KEY NO.	PART NO.	DESCRIPTION	QTY.	KEY NO.	PART NO.	DESCRIPTION	QTY.
1	58913-009L	Shock Absorber	2	37	60238-001	½"-13 UNC x 2" Square Head Bolt	2
2		*¾"-10 UNC Upper Shock Bolt	2	38	60240-000	½"-13 UNC Hex Jam Nut	2
3		*¾"-10 UNC Lower Shock Bolt	2	39	59952-003	Top Axle Wrap	2
4		*¾" Hardened Washer	8	40	64722-003	Bottom Axle Wrap	2
5		*¾"-10 UNC Hex Locknut	4	41	60508-000	Top Axle Wrap Liner, <i>Replaces 59449-000</i>	2
6	59946-001	Shock Spacer	2	42	59845-000	Bottom Axle Wrap Liner	2
7	59423-002	Shock Bracket	2		60961-140	Clamp Group Service Kit, One Side, Includes Key Nos. 43-45	
	60961-162	Leaf Spring Assembly Service Kit, Includes Key Nos. 8, 13-14		43	64804-110	¾"-16 UNF x 1 11" U-bolt	4
8	53624-000	Leaf Spring Assembly, <i>Replaces 66624-001</i>	2	44	22962-001	¾" Flat Washer	8
9	64488-002	Front Hanger	2	45	17700-035	¾"-16 UNF 2B Nylon Locknut	8
10		*M20 Hex Bolt	2		64506-000	Top Pad/Axle Stop Assembly Includes Key Nos. 46-47	
11		*M20 Hardened Washer	4	46	64519-000	Top Pad	2
12		*M20 Locknut	2	47	64080-000	Rubber Axle Stop	2
13	66510-001	Rear Shackles Bracket	2	48	70105-010	Front Axle Spacer, <i>Replaces 64536-010</i>	2
14	64314-000	Rear Shackles Plate	4		18831-021	Dowel Pin 2" (Not Shown)	2
15		*M20 x 150 mm Hex Bolt	4	49		****Meritor Brake Caliper Assembly Left Hand Part No. 60450482007 Right Hand Part No. 60450483007	2
16		*M20 Hardened Washer	8	50		****Wabco ABS Sensor Clip Part No. 300088	2
17		*M20 Locknut	4	51		****Wabco ABS Sensor Part No. 441 032 814 0	2
18	64905-001	Axle & Kingpin Assembly	1	52		****Meritor ABS Bracket Part No. 69180466	2
		Lower Steering Knuckle Assembly, Includes Key Nos. 25, 29		53	18160-012	⅝"-18 UNC x ½" Bolt (ABS Bracket)	4
19	58900-027	Left Hand	1	54		****Meritor Dust Shield Part No. 3264W1453	2
20	58900-028	Right Hand	1	55		****Meritor Dust Shield Clip Part No. 2257V1270	2
		Upper Steering Knuckle Assembly, Includes Key Nos. 25, 29		56	64201-001	M8 x 1 ¼"-6G Cap Screw (Dust Shield)	6
21	60903-034	Left Hand, <i>Replaces 60903-004</i>	1	57		****Meritor Torque Plate Left Hand Part No. 69120952 Right Hand Part No. 69120951	2
22	60904-002	Right Hand	1	58	32043-002	⅝"-11 UNC x 2¾" Hex Bolt (Torque Plate)	14
		Kingpin Bushing and Bearing Service Kits		59	32043-021	⅝"-11 UNC x 1 ½" Hex Bolt (Torque Plate)	2
	60961-040	Axle Set, Includes Kit Nos. 60961-009 & -039		60	22962-036	⅝" Hardened Washer (Torque Plate)	24
	60961-009	Left Hand with Composite Thrust Bearing, Includes Key Nos. 23-26, 28-30 & Loctite		61	47764-000	⅝"-11 UNC Locknut (Torque Plate)	8
	60961-039	Right Hand with Roller Thrust Bearing, Includes Key Nos. 23-25, 27-30 & Loctite		62	58258-017	M20 x 2.5-6G Hex Bolt (Caliper)	8
23	59156-000	Grease Cap Assembly	4	63	58246-018	M20 Hardened Washer (Caliper) <i>Replaces 58246-009</i>	8
24	58937-000	Retaining Ring	4	64		****Federal Mogul Wheel Seal Kit No. M380001TX0	2
25	58909-000	Kingpin Bushing	4			****Timken Inner Bearing One Side, Set No. 413, Includes Key Nos. 65-66	
		Thrust Bearing Service Kits		65		Inner Bearing Cone	2
	60961-043	Axle Set, Includes Kit Nos. 60961-041 & -042		66		Inner Bearing Cup	2
	60961-041	Left Hand Composite Thrust Bearing, Includes Key Nos. 26, 28-30 & Loctite				****Timken Outer Bearing One Side, Set No. 406, Includes Key Nos. 67-68	
	60961-042	Right Hand Roller Thrust Bearing, Includes Key Nos. 27-30 & Loctite		67		Outer Bearing Cup	2
26	59828-000	Left Hand Composite Thrust Bearing	1	68		Outer Bearing Cone	2
27	64256-000L	Right Hand Roller Thrust Bearing	1	69		****Meritor 1 ½"-12 UNF Inner Wheel Bearing Adj. Nut Part No. 1227-U-541	2
28		Kingpin Shim	As Req.	70		****Meritor ¾" Wheel End Lock Ring Part No. 1229-G-475	2
	60259-001X	0.005" Thickness (Pack of 4)		71		****Meritor 0.05" Wheel End Lock Washer Part No. 1229-F-474	2
	60259-002	0.047" Thickness		72		****Meritor Wheel End Outer Nut No. 1227-B-106	2
29	58910-001	Kingpin Seal	4	73		****Stemco Hubcap Gasket Part No. 330-3024	2
30	60236-001	⅝"-11 UNC Socket Head Cap Screw	4	74		****Meritor Hub & Rotor Assembly, Steel Hub 15.38 x 1.54 Rotor Part No. 17160671003	2
	60937-000	Loctite (Red) Compound Tube (Not Shown)	1	75		*M22 x 1.5 Two-piece Wheel Nut	20
31		Tie Rod Assembly, Includes Key Nos. 32-34 <i>See Selection Guide on Page 150</i>	1	76		****Stemco Hubcap Assembly - 6", Kit No. 343-4346, Includes Key No. 77	2
	60961-XXX	Tie Rod End Service Kits <i>See Selection Guide on Page 150</i>		77		**Rubber Plug	2
		Axle Set, Includes Left Hand & Right Hand Kits		78	64545-002	⅝"-18 UNC x ¾" Hex Bolt with Retainer Washer (Hubcap Bolts)	12
		Left Hand, Includes Key Nos. 32, 34-36					
		Right Hand, Includes Key Nos. 33-36					
		Tie Rod Ends, Includes Key No. 34 <i>See Selection Guide on Page 150</i>					
32		Left Hand	1				
33		Right Hand	1				
34		*¾" Castile Nut	2				
35	22962-007	⅝" Flat Washer	2				
36	17800-004	Tie Rod Nut Cotter Pin	2				
	60961-069	Stop Bolt Service Kit, One Side, Includes Key Nos. 37-38					



VEHICLE				VEHICLE			
KEY NO.	PART NO.	DESCRIPTION	QTY.	KEY NO.	PART NO.	DESCRIPTION	QTY.
1	66153-008	Shock Absorber, <i>Replaces 66153-002</i>	2	41	60259-001X	Kingpin Shim 0.005" (Pack of 4)	As Req.
2	21867-017	¾"-16 UNF x 4" Upper Shock Bolt	2		60259-002	Kingpin Shim 0.047"	
3	21867-005	¾"-16 UNF x 8¼" Lower Shock Bolt	2	42	58910-001	Kingpin Seal, <i>Replaces 58910-000</i>	4
4	22962-001	¾" Flat Washer	6	43	60236-001	⅝"-11 UNC Socket Head Cap Screw	4
5	59946-004	Shock Retaining Washer	2	Not Shown	60937-000	Loctite® (Red) Compound Tube	1
6	17700-035	¾"-16 UNF Locknut	4		60961-069	Stop Bolt Service Kit, One Wheel End Includes Key Nos. 44-45	
7	59946-003	Shock Spacer	2	44	60238-001	½"-13 UNC Square Head Bolt	2
8	66589-001	Shock Bracket	2	45	60240-000	½"-13 UNC Jam Nut	2
9	66441-002	Leaf Spring Assembly, Includes Spring Eye Bushing and Z Spacer	2	46	60239-008	***Tie Rod Assembly, Includes Key Nos. 47-51	1
10		**Z Spacer, attached to leaf spring	2			***Tie Rod End Service Kits	
11	67493-000	Thrust Washer - Front Hanger <i>Replaces 65869-000</i>	4		60961-010	Axle Set , Includes Kit Nos. 60961-025 & -026	
12	66297-000	Front Hanger	2		60961-025	Left Hand , Includes Key Nos. 47, 49-51	
13	21867-006	¾"-16 UNF x 7" Bolt, <i>Replaces 58917-009</i>	2		60961-026	Right Hand , Includes Key Nos. 48-51	
14	22962-001	¾" Flat Washer	4	47	64000-001	***Left Hand Tie Rod End	1
15	17700-035	¾"-16 UNF Nylocknut, <i>Replaces 17700-033</i>	2	48	64000-002	***Right Hand Tie Rod End	1
16	65925-000	Top Pad / Axle Stop	2	49		***⅝" Castle Nut, Included in Tie Rod Assembly	2
17	66308-001	Auxiliary Bumper	2	50	22962-007	⅞" Hardened Washer	2
18		*M10 x 1.5 Flanged Locknut	2	51	17800-004	Cotter Pin	2
	60961-151	U-bolt Axle Clamp Kit, One Side , Includes Key Nos. 19-21		52		*Caliper Assembly	2
19	64804-115	¾"-16 UNF U-bolt	4	53		*ABS Sensor Clip	2
20	22962-001	¾" Flat Washer	8	54		*ABS Sensor	2
21	17700-035	¾"-16 UNF Nylocknut	8	55		*ABS Bracket	2
		Rear Shackle Bracket Assembly, Includes Key Nos. 22-27		56	18160-012	⅝"-18 UNC x ½" Bolt (ABS Bracket)	4
	66511-001	Left Hand	1	57		*Dust Shield	2
	66511-002	Right Hand	1	58		*Dust Shield Clip	2
22	66510-000	Rear Shackle Bracket / Bushing Assembly	2	59	64201-001	M8 x 1.25"-6G Cap Screw (Dust Shield)	6
23	60631-002	Spacer Shackle Stop	2	60		*Torque Plate	2
24	66413-000	Rear Shackle Plate	4	61	32043-002	⅝"-11 UNC x 2¾" Hex Bolt (Torque Plate)	14
25	58917-021	¾"-10 UNC x 6½" Bolt	6	62	32043-021	⅝"-11 UNC x 1½" Hex Bolt (Torque Plate)	2
26	22962-001	¾" Flat Washer	12	63	22962-036	⅝" Hardened Washer (Torque Plate)	24
27	17700-033	¾"-10 UNC Nylocknut	6	64	47764-000	⅝"-11 UNC Locknut (Torque Plate)	8
	64502-043	Axle Wheel End Brake Assembly, Includes Key Nos. 28-78	1	65	58258-017	M20 x 2.5-6G Hex Bolt (Caliper)	8
	63252-521	STEERTEK Axle Assembly, Includes Key Nos. 28-51	1	66	58246-018	M20 Hardened Washer (Caliper) <i>Replaces 58246-009</i>	8
	64628-003	Axle Wrap and Liner Service Kit, Axle Set , Includes Key Nos. 28-31			64626-008	Front Bearing Wheel End Service Kit, One Wheel End , Includes Key Nos. 67-76	
28	59952-018	Top Axle Wrap	2	67	80726-000	Wheel Seal, <i>Replaces 64531-000</i>	2
29	60508-000	Top Axle Wrap Liner	2	68	64529-000	Inner Bearing Cone	2
30	64723-002	Bottom Axle Wrap	2	69		**Inner Bearing Cup	2
31	59845-000	Bottom Axle Wrap Liner	2	70		**Outer Bearing Cup	2
32	64905-003	Axle & Kingpin Assembly	1	71	64530-000	Outer Bearing Cone	2
33	58900-061	Left Hand Lower Steering Knuckle Assembly	1	72	64671-000	1½"-12 UNF Adj. Inner Nut	2
34	58900-062	Right Hand Lower Steering Knuckle Assembly	1	73	64672-000	1½"-12 UNF Pierced Lock Ring	2
35	60903-052	Left Hand Upper Steering Knuckle Assembly	1	74	64673-000	1½" Lock Washer	2
36	60904-002	Right Hand Upper Steering Knuckle Assembly	1	75	64674-000	1½"-12 UNF Outer Nut	2
	60961-039	Kingpin Bushing Service Kit, One Wheel End Includes Key Nos. 37-43 & Loctite		76	64546-000	Hubcap Gasket	2
37	59156-000	Grease Cap Assembly	4	77	64532-000	Hubcap Assembly, Includes Key No. 78	2
38	58937-000	Retaining Ring	4	78		**Rubber Plug	
39	58909-000	Kingpin Bushing	4	79	64545-002	⅝"-18 UNC x ¾" Bolt for Hubcap <i>Replaces 64545-001</i>	12
	60961-042	Roller Thrust Bearing Service Kit, One Wheel End , Includes Key Nos. 40-43 & Loctite		80	66352-001	Hub & Rotor Assembly Steel Hub 15.38 x 1.54 Rotor	2
40	64256-000L	Thrust Bearing - Roller	2		60961-152	Hub Service Kit, One Wheel End , Includes Key Nos. 69-70, 81-82	
				81	67086-000	Hub	2
				82	66812-000	M22 x 1¼" Wheel Stud	16

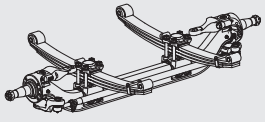
NOTES: * Not supplied by Hendrickson, used for reference only. Hendrickson is not responsible for components supplied by the vehicle manufacturer. For assistance with maintenance and rebuild instructions on these components see vehicle manufacturer.

** Item included in kit/assembly only, part not sold separately.

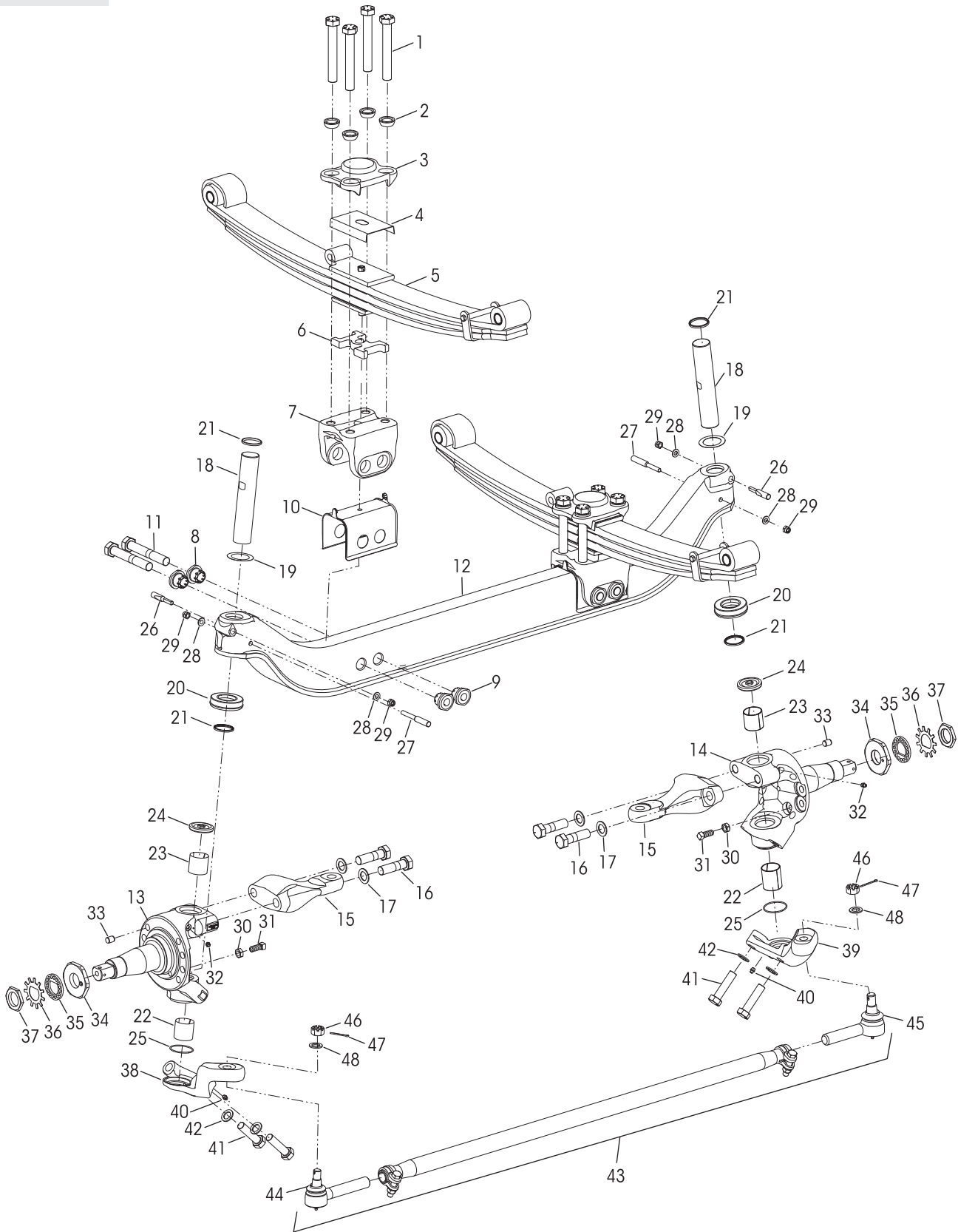
*** The tie rod assembly is designed for use on a mechanical suspension with hydraulic brakes, it is not designed for vehicles with air disc brakes.



ACX-XPEDITOR™ Vehicles



PARTS LISTS





VEHICLE				VEHICLE			
KEY NO.	PART NO.	DESCRIPTION	QTY.	KEY NO.	PART NO.	DESCRIPTION	QTY.
	79272-001	Clamp Group Assembly, Includes Key Nos. 1-11 Left Hand	1	21	75966-001	Kingpin Seal	4
	79272-002	Right Hand	1	22	75919-001	Kingpin Bushing Lower - 2½" Length	2
	34013-228	Clamp Group Fasteners Service Kit, One Side, Includes Key Nos. 1-2, 4		23	75919-002	Upper - 2" Length	2
1	64107-002	1"-8 UNC x 7" Hex Bolt	8	24	77209-001	Grease Cap	2
2	78356-002	1" Spherical Washer	8	25	68303-004	O-Ring	2
3	78888-000	Top Pad with Jounce Stop	2			Kingpin Draw Key	
4	79273-001	Spring Liner	2	26	75925-001	Upper - 3¾" Length	2
5		Leaf Spring Assembly with Bushings		27	75925-002	Lower - 4¾" Length	2
	53816-100	Left Hand	1	28	22962-054	7/16" Flat Washer	4
	53816-200	Right Hand	1	29	17700-008	7/16"-14 UNC-2B Nut	4
6	77458-001	Spring Spacer	2	30	17491-023	5/8"-11 UNC-2B Jam Nut	2
7	77232-000	Axle Seat	2	31	80183-000	5/8"-11 UNC x 1½" Set Screw	2
	34013-229	Axle Clamp Service Kit, One Side, Includes Key Nos. 8-11		32	33117-000	Grease Zerk	2
		Axle Clamp		33	64246-000	ABS Sensor Sleeve	2
8		*Non Threaded	4	34	79367-000	Spindle Locknut	2
9		*Threaded	4	35	79368-000	Spindle Lock Washer	2
10	78887-001	Axle Seat Liner	2	36	79369-000	Spindle Washer	2
11		*1"-8 UNC x 6½" Hex Cap Bolt	4	37	79370-000	Spindle Nut	2
	77360-XXX	STEERTEK NXT High Capacity Axle Assembly, Includes Key Nos. 12-48, <i>see Table 1 below</i>	1		77244-XXX	Tie Rod Arm Assembly, 9" Wide Wheel, Includes Key No. 40, <i>see Table 1 below</i>	
12	77284-006	Axle	1	38		Left Hand	1
		Knuckle Assembly, Includes Key Nos. 21, 24, 30-33		39		Right Hand	1
13	77243-001	Left Hand	1	40	33117-000	Grease Zerk	2
14	77243-002	Right Hand	1	41	30418-014	7/8"-14 UNF x 3½" Hex Bolt	4
15	77337-001	Steering Arm	2	42	22962-002	7/8" Flat Washer	4
16	30550-027	1"-14 UNF x 3½" Hex Bolt	4	43	76879-XXX	Tie Rod Assembly, 14.6K Straight, Includes Key Nos. 44-46, <i>see Table 1 below</i>	1
17	22962-051	1" Flat Washer	4			Tie Rod End Service Kits	
	34013-230	Kingpin Service Kit, One Side, Includes Key Nos. 18-29, 41-42			60961-735	Axle Set , Includes Kit Nos. 60961-742 & -743	
18	75923-001	Kingpin	2		60961-742	Left Hand , Includes Key Nos. 44, 46-48	
19		Kingpin Shim (As needed for service)			60961-743	Right Hand , Includes Key Nos. 46-48	
	77241-002	0.01" Thickness	2			Tie Rod End, Includes Key No. 46	
	77241-003	0.02" Thickness	2	44	76876-001	Left Hand	1
20	75918-001	Thrust Bearing	2	45	76876-002	Right Hand	1
				46		*7/8" Castile Nut	2
				47	17800-004	Cotter Pin	2
				48	22962-007	7/8" Flat Washer	2

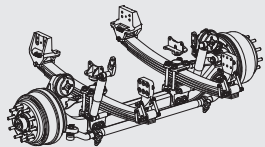
NOTE: * Item included in kit/assembly only, part not sold separately.

TABLE 1

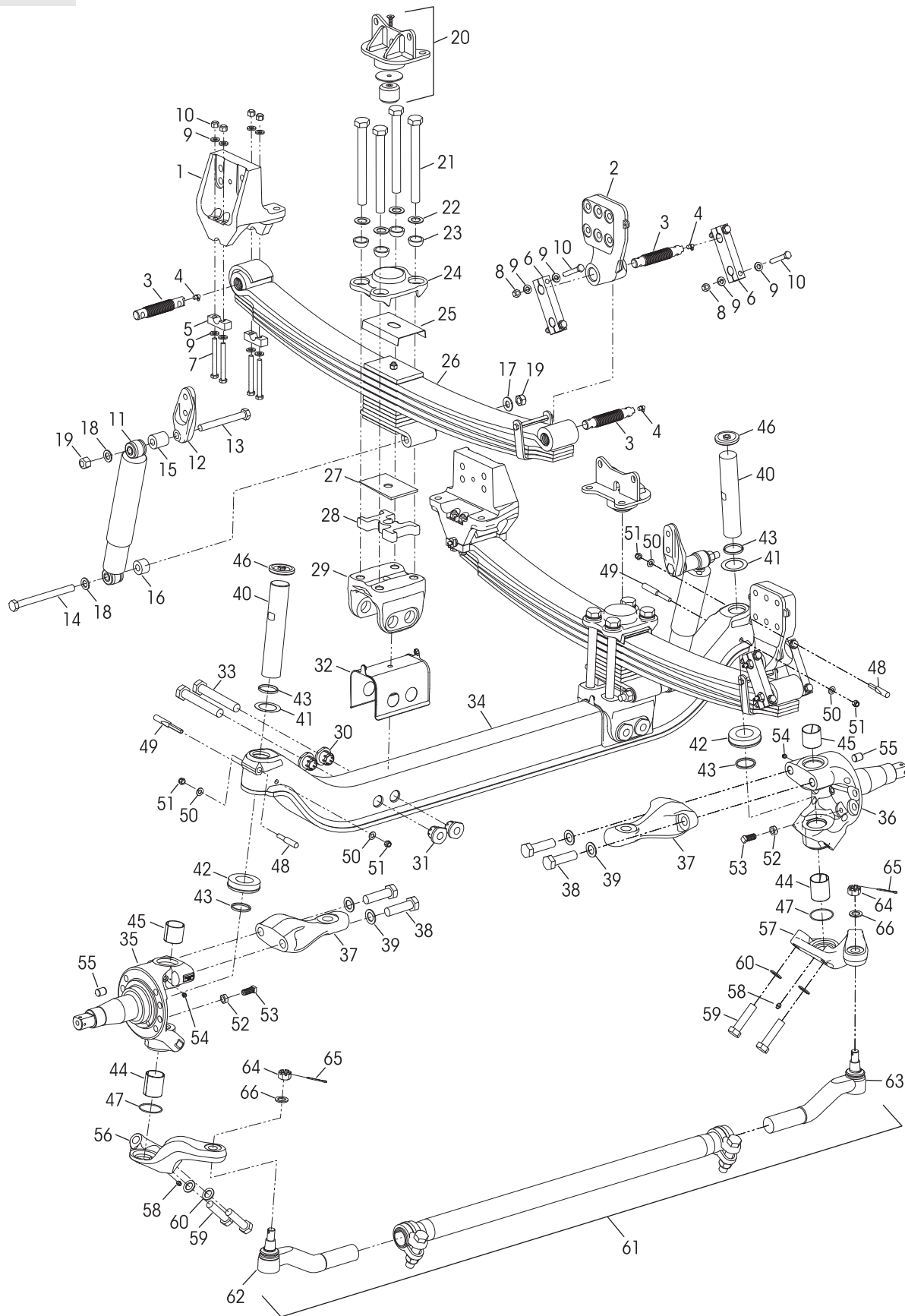
STEERTEK NXT axle	Part Numbers		
	Tie Rod Arm Assembly		Straight Tie Rod Assembly Key No. 43
	Left Hand Key No. 38	Right Hand Key No. 39	
77360-001	77244-001	77244-002	76879-001
77360-002	77244-003	77244-004	76879-002
77360-003	77244-005	77244-006	76879-003
77360-004	77244-007	77244-008	76879-002
77360-005	77244-009	77244-010	76879-003
77360-006	77244-011	77244-012	76879-003



Suspension • Clamp Group • Axle Assembly



PARTS LISTS





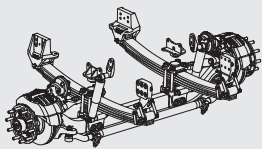
KEY NO.	PART NO.	DESCRIPTION	VEHICLE QTY.
1	79894-002	Frame Hanger Assembly	2
2	80159-002	Front	2
		Rear with Bushing	2
	34013-247	Frame Hanger Fastener Service Kit, One Side,	
	34013-248	Front, Includes Key Nos. 5, 7, 9-10	
	34013-249	Rear, Includes Key Nos. 3-4, 6, 8-10	
		Single Threaded Pin and Grease Zerk Service Kit, Includes Key Nos. 3-4	
3		*Threaded Pin	6
4		*Grease Zerk	6
5	79843-000	Front Hanger Bottom Cap	4
6	79888-001	Rear Shackles	4
7	80362-001	½"-20 UNC x 4½" Hex Bolt	8
8	80362-002	½"-20 UNC x 3¼" Shackle Hex Bolt	8
9	22962-014	½" Flat Washer	32
10	17700-034	½"-20 UNC Nut	16
	34013-311	Single Shock Absorber Service Kit,	
		Includes Key Nos. 11, 14-19	
11	80606-001	Shock Absorber	2
12	78250-002	Shock Bracket	2
13	50764-021	¾"-10 UNC x 6" Upper Shock Hex Bolt	2
14	50764-014	¾"-10 UNC x 8½" Lower Shock Hex Bolt	2
		Shock Spacer	
15	59946-014	Upper, 45 mm Thick	2
16	59946-015	Lower Outboard, 28 mm Thick	2
17	59946-005	Lower Inboard, 3 mm Thick	2
18	22962-001	¾" Flat Washer	4
19	49842-000	¾"-10 UNC Nut	4
20	91081-000	Jounce Stop Assembly	2
	80888-XXX	Leaf Spring & Clamp Group Assembly,	2
		Includes Key Nos. 21-33, see Selection Guide on Page 192	
	34013-XXX	Clamp Group Service Kit, One Side, Includes	
		Key Nos. 21-23, 25, see Selection Guide on Page 192	
21	64107-XXX	1"-8 UNC Hex Bolt, see Selection Guide on Page 192	8
22	22962-051	1" Flat Washer, see Selection Guide on Page 192	8
23	78356-002	1" Spherical Washer	8
24	78888-000	Top Pad	2
25	79273-001	Spring Liner	2
26		Leaf Spring Assembly, Includes Key Nos. 3 & 4	
		See Selection Guide on Page 192	
27	80143-001	Caster Wedge - 2°	2
28		Spring Spacer (if equipped)	2
		See Selection Guide on Page 192	
29	77232-000	Axle Seat	2
	34013-229	Axle Clamp Collar Service Kit, One Side,	
		Includes Key Nos. 30-33	
		*Axle Collar	
30		Non Threaded	4
31		Threaded	4
32	78887-001	Axle Seat Liner	2

KEY NO.	PART NO.	DESCRIPTION	VEHICLE QTY.
33		*1"-8 UNC x 6½" Hex Thru Bolt	4
	80886-XXX	STEERTEK NXT High Capacity Axle Assembly	
		Fire and Rescue, Includes Key Nos. 35-36, 40-66	
		See Selection Guide on Page 192	
34	77284-010	Axle	1
		Knuckle Assembly, Includes Key Nos. 43, 46, 52-55	
35	77243-001	Left Hand	1
36	77243-002	Right Hand	1
37	77337-008	Steering Arm	2
38	30550-027	1"-14 UNF x 3½" Hex Bolt	4
39	22962-051	1" Flat Washer	4
	34013-230	Kingpin Service Kit, One Side,	
		Includes Key Nos. 40, 41a, 42-51, 59-60	
40	75923-001	Kingpin	2
41		Kingpin Shim (As needed for service)	2
a	77241-002	0.01" Thickness	
b	77241-003	0.02"	
42	75918-001	Thrust Bearing	2
43	75966-001	Kingpin Seal	4
		Kingpin Bushing	
44	75919-001	Lower, 2½" Length	2
45	75919-002	Upper, 2" Length	2
46	77209-001	Grease Cap	2
47	68303-004	O-Ring	2
		Kingpin Draw Key	
48	75925-001	Upper, 3¾" Length	2
49	75925-002	Lower, 4¾" Length	2
50	22962-054	7/16" Flat Washer	4
51	17700-008	7/16"-14 UNC-2B Nut	4
52	17491-023	5/8"-11 UNC-2B Jam Nut	2
53	80183-000	5/8"-11 UNC x 1½" Set Screw	2
54	33117-000	Grease Zerk	2
55	64246-000	ABS Sensor Sleeve	2
	77244-XXX	Tie Rod Arm Assembly, Includes Key No. 58	
		See Selection Guide on Page 192	
56		Left Hand	1
57		Right Hand	1
58	33117-000	Grease Zerk	2
59	30418-014	7/8"-14 UNF x 3½" Hex Bolt	4
60	22962-002	7/8" Flat Washer	4
61	79365-001	Tie Rod Assembly, 20K Drop, Includes Key Nos. 62-64	1
		Tie Rod End Service Kits,	
	60961-884	Axle Set, Includes Kit Nos. 60961-882 & -883	
	60961-882	Left Hand, Includes Key Nos. 62, 64-66	
	60961-883	Right Hand, Includes Key Nos. 63-66	
		Tie Rod End, Includes Key No. 64	
62	79366-001	Left Hand	1
63	79366-002	Right Hand	1
64		*7/8"-14 UNF-2A Castle Nut	2
65	17800-004	Cotter Pin	2
66	22962-002	7/8" Flat Washer	2

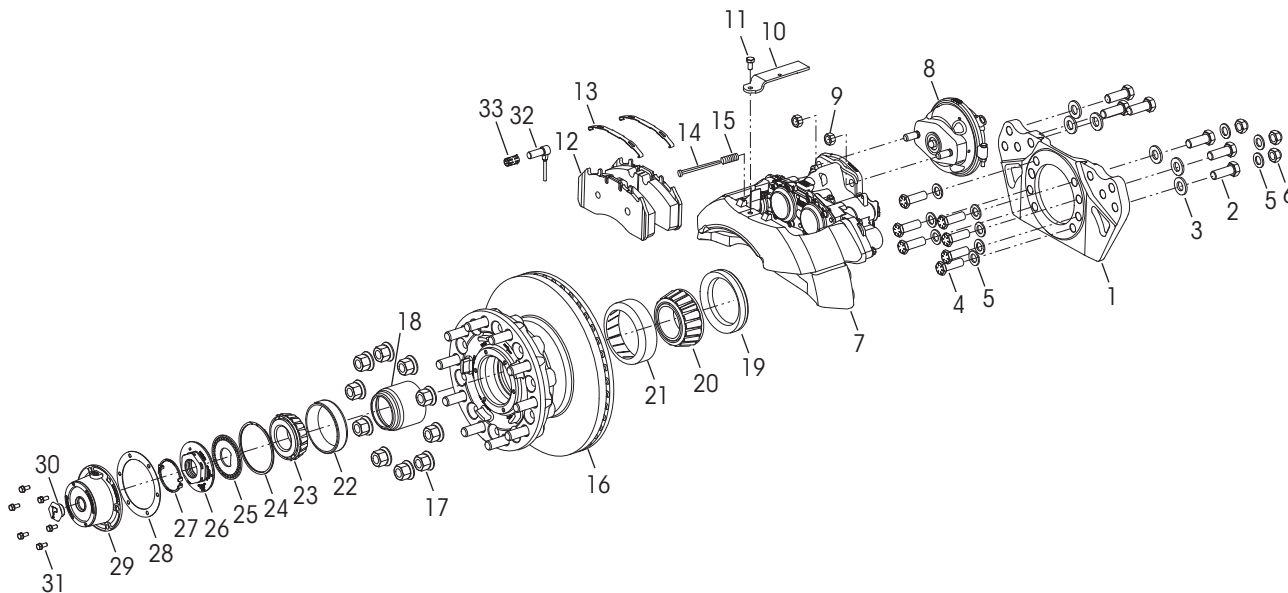
NOTE: * Item included in kit/assembly only, part not sold separately.



Equipped with Air Disc Brake Assembly



PARTS LISTS

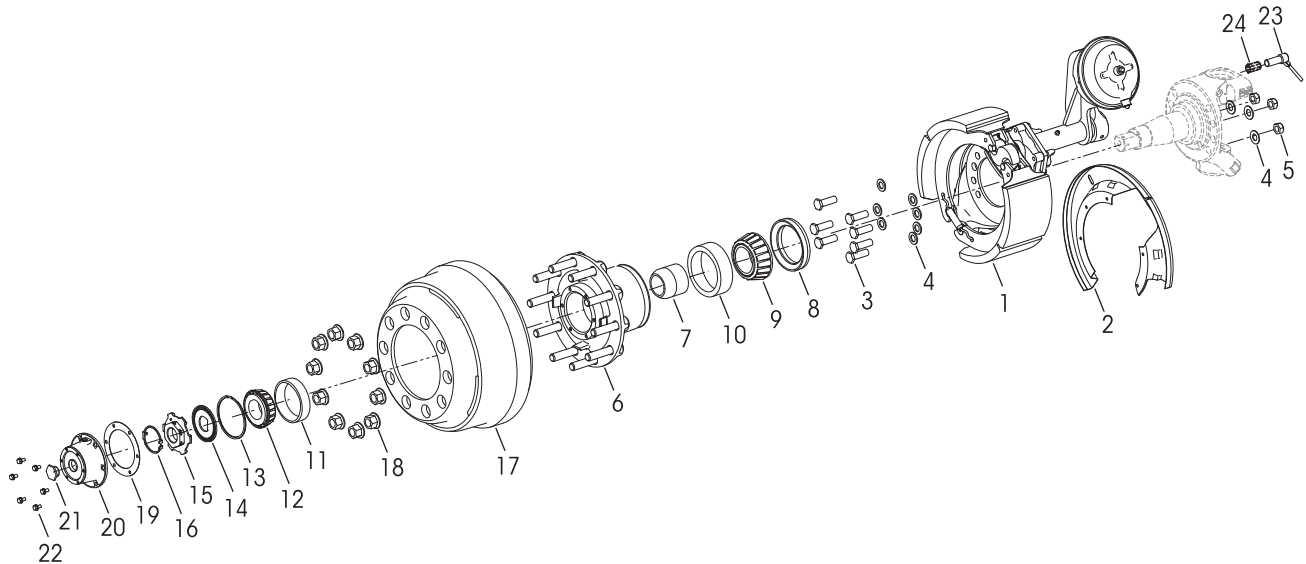
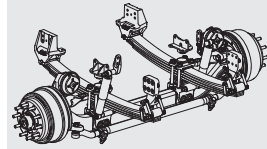


KEY NO.	PART NO.	DESCRIPTION	VEHICLE QTY.
1		*Meritor Torque Plate Assembly Left Hand, Part No. 3215-F-1878 Right Hand, Part No. 3215-E-1877	1 1
2	69781-002	M20 x 55 mm Hex Head Bolt	12
3	58246-039	M20 Flat Washer	12
4	80345-004	3/4"-16 UNC x 2 1/4" Low Profile Hex Head Bolt	14
5	22962-001	3/4" Flat Washer	20
6	80691-001	3/4"-16 UNC Hex Nut	6
7		*Meritor Air Disc Brake Caliper Assembly, Includes Key Nos. 10-13 Left Hand, Part No. EX225H202XX000S Right Hand, Part No. EX225H201XX000S	1 1
8		*WABCO Air Brake Chamber MGMT24L, Includes K80131-001 Key No. 9 Left Hand, Part No. 423 506 1340 Right Hand, Part No. 423 506 1350	1 1
9		*Hex Nut *Meritor Disc Pad Retainer Kit No. 22510, Includes Key Nos. 10-11	4
10		*Pad Retainer	
11		*Pad Retainer Bolt *Meritor Air Disc Brake Pad Kit No. 2252H2DA, Includes Key Nos 12-13	
12		*Air Disc Brake Pad	
13		*ADB Pad Spring *Meritor Wear Indicator Kit No. 225255, Includes Key Nos. 14-15	
14		*Wear Indicator	
15		*Wear Indicator Spring	

KEY NO.	PART NO.	DESCRIPTION	VEHICLE QTY.
16		*Conmet Hub and Rotor Assembly Part No. 10083224, Includes Bearings and Seals *Conmet Brake Rotor Replacement Kit No. 10082181, One Wheel End, Includes Rotor and 10 of each Cap Screws and Washers	2
17		**M22 x 1.5 Two-piece Wheel Nut *Conmet Hub Bearing Rebuild Kit No. 10081728, One Wheel End, Includes Key Nos. 18-23 *Conmet Wheel Seal Kit No. 10081519, One Wheel End, Includes Key Nos. 18-19	20
18		*Bearing Spacer Part No. 10034342	
19		*Wheel Seal Part No. 10045883	
20		*Inner Bearing Cone Part No. 10041922	
21		*Inner Bearing Cup Part No. 10041921	
22		*Outer Bearing Cup Part No. 10041923	
23		*Outer Bearing Cone Part No. 10041924 *Conmet Preset Plus FL Nut Assembly Kit No. 10036550, Includes Key Nos. 24-27	
24		*Snap Ring - Double Wind Part No. 10033288	
25		*Spindle Nut Lock Washer Part No. 10031171	
26		*Outer Spindle Nut Part No. 10031170	
27		*Snap Ring Retainer Part No. 10031172	
28		*Federal-Mogul Hub Cap Gasket No. G-3009	2
29		*Federal-Mogul Hub Cap Part No. 343-009, Includes Key No. 30	2
30		*Rubber Plug	
31	64545-002	5/16"-18 UNC x 3/4" Hex Bolt with Retained Washer	12
32		*WABCO ABS Sensor Part No. 441-032-900-0	2
33	64550-000	ABS Sensor Clip	2



Equipped with Drum Brake Assembly



PARTS LISTS

KEY NO.	PART NO.	DESCRIPTION	VEHICLE QTY.
1		*Meritor Drum Brake Foundation Kit, Includes Key No. 2 Left Hand, Part No. QP4-1656-2125 Right Hand, Part No. QP4-1656-2126	1 1
2		*Dust Shield	2
3	80345-004	3/4"-16 x 2 1/4" Low Profile Hex Head Bolt	14
4	22962-001	3/4" Flat Washer	20
5	80691-001	3/4"-16 UNC - 2B Nut	6
		*Conmet Preset Plus FL Hub Assembly Part No. 10081313, Includes Key Nos.6-16	2
6		*Hub Part No. 10033316 *Conmet Hub Bearing Rebuild Kit No. 10081728, One Wheel End, Includes Key Nos. 7-12 *Conmet Wheel Seal Kit No. 10081519, One Wheel End, Includes Key Nos. 7-8	
7		*Bearing Spacer Part No. 10034342	
8		*Wheel Seal Part No. 10045883	
9		*Inner Bearing Cone Part No. 10041922	

KEY NO.	PART NO.	DESCRIPTION	VEHICLE QTY.
10		*Inner Bearing Cup Part No. 10041921	
11		*Outer Bearing Cup Part No. 10041923	
12		*Outer Bearing Cone Part No. 10041924	
		*Conmet Preset Plus FL Nut Assembly Kit No. 10036550, Includes Key Nos. 13-16	
13		*Snap Ring - Double Wind Part No. 10033288	
14		*Spindle Nut Lock Washer Part No. 10031171	
15		*Outer Spindle Nut Part No. 10031170	
16		*Snap Ring Retainer Part No. 10031172	
17		*Conmet Drum 16.5 x 6 Part No. 10033071	
18		**M22 x 1.5 Two-piece Wheel Nut	20
19		*Federal-Mogul Hub Cap Gasket No. G-3009	2
20		*Federal-Mogul Hub Cap Part No. 343-009, Includes Key No. 21	2
21		*Rubber Plug	
22	64545-002	5/16"-18 UNC x 3/4" Hex Bolt with Retained Washer	12
23		*WABCO ABS Sensor Part No. 441-032-900-0	2
24	64550-000	ABS Sensor Clip	2

NOTES: * Not supplied by Hendrickson for aftermarket service purposes. Description and part number listed for reference only. For more information and assistance with service, maintenance and rebuild instructions on these components see below component manufacturers:

- Conmet technical and parts support 800.547.9473 or online for Parts: <https://hubcatalog.conmet.com/LookUpHub.aspx> and for technical support: www.conmet.com/general/literature, go to Wheel End Literature, scroll down to Service Manual, Literature No. 10084476
- Federal Mogul Technical and Part Support 800.325.8886 or online at www.fme-cat.com
- Meritor Technical and Part Support 888.725.9355, or online for parts: www.meritorpartsexpress.com and for technical support: www.meritorbullpen.com
- WABCO Technical and Part Support 855.228.3203 or online at www.wabco-auto.com/aftermarket-services/inform-product-catalog

** Not supplied by Hendrickson, used for reference only. Hendrickson is not responsible for components supplied by the vehicle manufacturer. For assistance with maintenance and rebuild instructions on these components see vehicle manufacturer.



■ Leaf Spring Assembly and Component Selection Guide

Capacity	Ride Height	Leaf Spring & Clamp Group Assembly	Clamp Group Service Kit	Leaf Spring Assembly Key No. 26 Part Number	1" Hex Bolt Key No. 21		1" Flat Washer (Use only as specified) Key No. 22 Part Number	Leaf Spring Spacer Key No. 28	
					Length	Part Number		Thickness	Part Number
20K	10"	80888-001	34013-312	82532-000	9"	64107-003	---	---	---
	11"	80888-002	34013-313		10"	64107-008	---	1"	79814-000
22K	10"	80888-101	34013-312	82533-000	9"	64107-003	---	---	---
	11"	80888-102	34013-313		10"	64107-008	---	1"	79814-000
24K	10"	80888-201	34013-314	82534-000	9.5"	64107-007	22962-051	---	---
	11"	80888-202	34013-315		10.5"	64107-009	22962-051	1"	79814-000

⚠ WARNING

USE 1" FLAT WASHERS (PART NO. 22962-051) ONLY AS SPECIFIED IN TABLE 1 (LEAF SPRING AND CLAMP GROUP ASSEMBLY). THE TABLE LISTS DIFFERENT CONFIGURATIONS FOR THIS ASSEMBLY. FOR CERTAIN CONFIGURATIONS THE CLAMP GROUP REQUIRES THE USE OF 1" FLAT WASHERS (PART NO. 22962-051) WITH THE SPECIFIED 1" HEX BOLT LENGTH, BUT NOT IN OTHER CONFIGURATION SPECIFICATIONS IN TABLE 1 CAN RESULT IN IMPROPER CLAMP FORCE IN THE LEAF SPRING AND CLAMP GROUP ASSEMBLY, IMPROPER SEATING AND COMPONENT DAMAGE, WHICH CAN CAUSE LOSS OF VEHICLE CONTROL, ADVERSE VEHICLE HANDLING, PROPERTY DAMAGE AND PERSONAL INJURY.

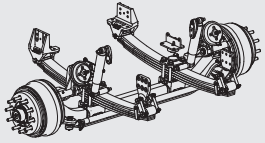
■ Tie Rod Selection Guide

Wheel Base	STEERTEK NXT Axle Assembly No. Key No. 34	Tie Rod Arm Assembly No.	
		Left Hand Key No. 56	Right Hand Key No. 57
140"-170"	80886-001	77244-057	77244-058
171"-200"	80886-002	77244-059	77244-060
201"-230"	80886-003	77244-061	77244-062
231"-270"	80886-004	77244-063	77244-064

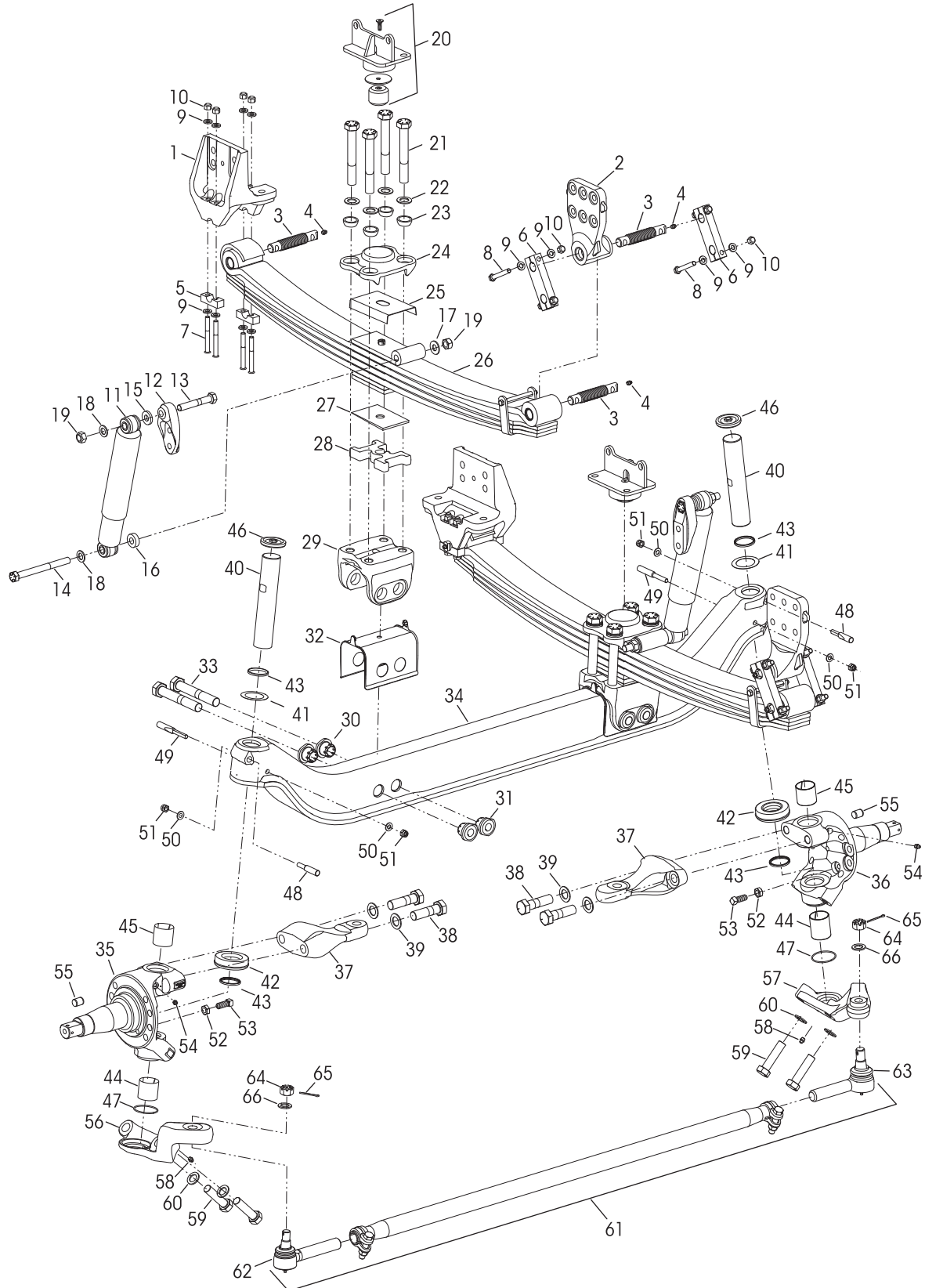




Suspension • Clamp Group • Axle Assembly



PARTS LISTS





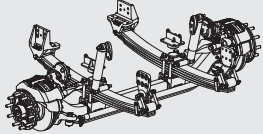
KEY NO.	PART NO.	DESCRIPTION	VEHICLE QTY.
1	79894-001	Frame Hanger Assembly	2
2	80159-001	Front	2
	34013-247	Front Frame Hanger Fastener Service Kit, One Side , Includes Key Nos. 5,7, 9-10	
	34013-248	Rear Frame Hanger Fastener Service Kit, One Side , Includes Key Nos. 3-4, 6, 8-10	
	34013-249	Single Threaded Pin and Grease Zerk Service Kit , Includes Key Nos. 3-4	
3		*Threaded Pin	6
4		*Grease Zerk	6
5	79843-000	Front Hanger Bottom Cap	4
6	79888-001	Rear Shackle	4
7	80362-001	½"-20 UNC x 4½" Hex Bolt	8
8	80362-002	½"-20 UNC x 3¼" Shackle Hex Bolt	8
9	22962-014	½" Flat Washer	32
10	17700-034	½"-20 UNC Nut	16
	34013-250	Single Shock Absorber Service Kit , Includes Key Nos. 11, 14-19	
11	80606-001	Shock Absorber	2
12	78250-002	Shock Bracket	2
13	50764-019	¾"-10 UNC x 4½" Upper Shock Hex Bolt	2
14	50764-020	¾"-10 UNC x 8" Lower Shock Hex Bolt	2
		Shock Spacer	
15	59946-013	Upper	2
16	59946-006	Lower Outboard	2
17	59946-005	Lower Inboard	2
18	22962-001	¾" Flat Washer	4
19	49842-000	¾"-10 UNC Nut	4
20		Jounce Stop Assembly	
	79854-000	Left	1
	79855-000	Right	1
	80141-XXX	Leaf Spring & Clamp Group Assembly, Includes Key Nos. 21-33 <i>See Selection Guide on Page 198</i>	2
	34013-XXX	Clamp Group Service Kit, One Side , Includes Key Nos. 21-23, 25 <i>See Selection Guide on Page 198</i>	
21	64107-XXX	1"-8 UNC Hex Bolt, <i>see Selection Guide on Page 198</i>	8
22	22962-051	1" Flat Washer, <i>see Selection Guide on Page 198</i>	8
23	78356-002	1" Spherical Washer	8
24	78888-000	Top Pad	2
25	79273-001	Spring Liner	2
26		Leaf Spring Assembly, Includes Key Nos. 3 & 4 <i>See Selection Guide on Page 198</i>	
27	80143-001	Caster Wedge - 2°	2
28		Spring Spacer (if equipped) <i>See Selection Guide on Page 198</i>	2
29	77232-000	Axle Seat	2
	34013-229	Axle Clamp Collar Service Kit, One Side , Includes Key Nos. 30-33	
		*Axle Collar	
30		Non Threaded	4
31		Threaded	4
32	78887-001	Axle Seat Liner	2

KEY NO.	PART NO.	DESCRIPTION	VEHICLE QTY.
33		*1"-8 UNC x 6½" Hex Thru Bolt	4
	80140-XXX	STEERTEK NXT High Capacity Axle Assembly Fire and Rescue, Includes Key Nos. 34-36, 40-66 <i>See Selection Guide on Page 198</i>	
34	77284-008	Axle	
	77243-XXX	Knuckle Assembly, Includes Key Nos. 43, 46, 52-55 <i>See Selection Guide on Page 198</i>	
35		Left Hand	1
36		Right Hand	1
37		Steering Arm	
	77337-003	18K Single Steer	1
		20K Twin Steer	2
		24K Twin Steer, 425 mm and below Tires	2
	77337-004	24K Twin Steer, 445 mm Tires	2
38	30550-027	1"-14 UNF x 3½" Hex Bolt	Varies
39	22962-051	1" Flat Washer	Varies
	34013-230	Kingpin Service Kit, One Side , Includes Key Nos. 40, 41a, 42-51, 59-60	
40	75923-001	Kingpin	2
41		Kingpin Shim (As needed for service)	2
	a 77241-002	0.01" Thickness	
	b 77241-003	0.02"	
42	75918-001	Thrust Bearing	2
43	75966-001	Kingpin Seal	4
		Kingpin Bushing	
44	75919-001	Lower, 2½" Length	2
45	75919-002	Upper, 2" Length	2
46	77209-001	Grease Cap	2
47	68303-004	O-Ring	2
		Kingpin Draw Key	
48	75925-001	Upper, 3¾" Length	2
49	75925-002	Lower, 4¾" Length	2
50	22962-054	7/16" Flat Washer	4
51	17700-008	7/16"-14 UNC-2B Nut	4
52	17491-023	5/8"-11 UNC-2B Jam Nut	2
53	80183-000	5/8"-11 UNC x 1½" Set Screw	2
54	33117-000	Grease Zerk	2
55	64246-000	ABS Sensor Sleeve	2
	77244-XXX	Tie Rod Arm Assembly, Includes Key No. 58 <i>See Selection Guide on Page 198</i>	
56		Left Hand	1
57		Right Hand	1
58	33117-000	Grease Zerk	2
59	30418-014	7/8"-14 UNF x 3½" Hex Bolt	4
60	22962-002	7/8" Flat Washer	4
61	76879-XXX	Tie Rod Assembly, 14.6K Straight, Includes Key Nos. 62-64, <i>see Selection Guide on Page 198</i>	1
		Tie Rod End Service Kits,	
	60961-735	Axle Set , Includes Kit Nos. 60961-742 & -743	
	60961-742	Left Hand , Includes Key Nos. 62, 64-66	
	60961-743	Right Hand , Includes Key Nos. 63-66	
		Tie Rod End, Includes Key No. 64	
62	76876-001	Left Hand	1
63	76876-002	Right Hand	1
64		*7/8"-14 UNF-2A Castle Nut	2
65	17800-004	Cotter Pin	2
66	22962-007	7/8" Flat Washer	2

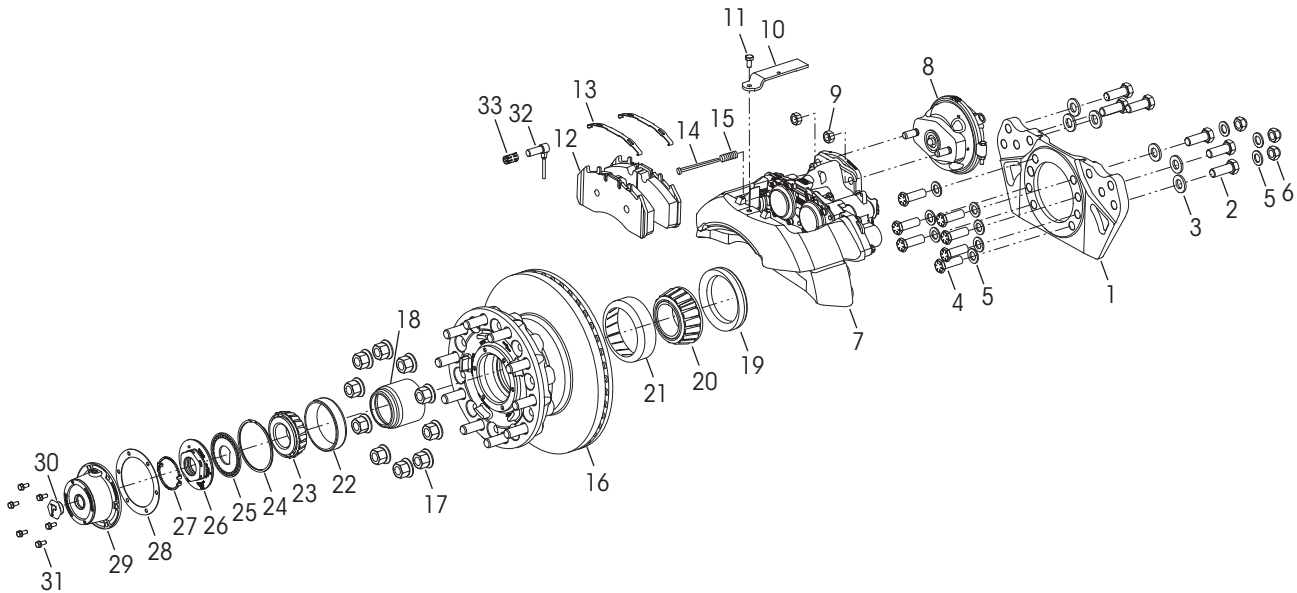
NOTE: * Item included in kit/assembly only, part not sold separately.



Equipped with Air Disc Brake Assembly



PARTS LISTS

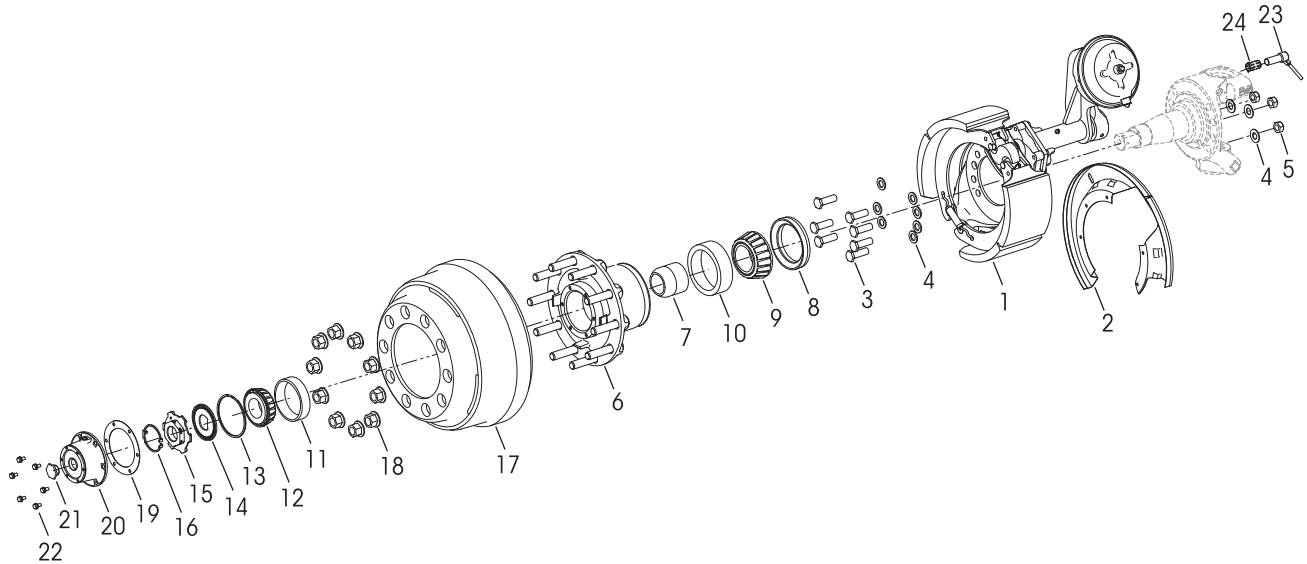
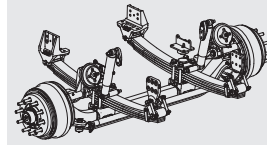


KEY NO.	PART NO.	DESCRIPTION	VEHICLE QTY.
1		*Meritor Torque Plate Assembly Left Hand, Part No. 3215-F-1878 Right Hand, Part No. 3215-E-1877	1 1
2	69781-002	M20 x 55 mm Hex Head Bolt	12
3	58246-039	M20 Flat Washer	12
4	80345-004	3/4"-16 UNC x 2 1/4" Low Profile Hex Head Bolt <i>Replaces 80345-001</i>	14
5	22962-001	3/4" Flat Washer	20
6	80691-001	3/4"-16 UNC Hex Nut	6
7		*Meritor Air Disc Brake Caliper Assembly, Includes Key Nos. 10-13 Left Hand, Part No. EX225H202XX000S Right Hand, Part No. EX225H201XX000S	1 1
8		*WABCO Air Brake Chamber MGM T24L, Includes K80131-001 Key No. 9 Left Hand, Part No. 423 506 1340 Right Hand, Part No. 423 506 1350	1 1
9		*Hex Nut *Meritor Disc Pad Retainer Kit No. 22510, Includes Key Nos. 10-11	4
10		*Pad Retainer	
11		*Pad Retainer Bolt *Meritor Air Disc Brake Pad Kit No. 2252H2DA, Includes Key Nos 12-13	
12		*Air Disc Brake Pad	
13		*Air Disc Brake Pad Spring *Meritor Wear Indicator Kit No. 225255, Includes Key Nos. 14-15	
14		*Wear Indicator	
15		*Wear Indicator Spring	

KEY NO.	PART NO.	DESCRIPTION	VEHICLE QTY.
16		*Conmet Hub and Rotor Assembly No. 10083224, Includes Bearings and Seals *Conmet Brake Rotor Replacement Kit No. 10082181, One Wheel End, Includes Rotor and 10 of Cap Screws and Washers	2
17		**M22 x 1.5 Two-piece Wheel Nut *Conmet Hub Bearing Rebuild Kit No. 10081728, One Wheel End, Includes Key Nos. 18-23 *Conmet Wheel Seal Kit No. 10081519, One Wheel End, Includes Key Nos. 18-19	20
18		*Bearing Spacer Part No. 10034342	
19		*Wheel Seal Part No. 10045883	
20		*Inner Bearing Cone Part No. 10041922	
21		*Inner Bearing Cup Part No. 10041921	
22		*Outer Bearing Cup Part No. 10041923	
23		*Outer Bearing Cone Part No. 10041924 *Conmet Preset Plus FL Nut Assembly Kit No. 10036550, Includes Key Nos. 24-27	
24		*Snap Ring - Double Wind Part No. 10033288	
25		*Spindle Nut Lock Washer 10031171	
26		*Outer Spindle Nut Part No. 10031170	
27		*Snap Ring Retainer Part No. 10031172	
28		*Federal-Mogul Hub Cap Gasket No. G-3009	2
29		*Federal-Mogul Hub Cap No. 343-009, Includes Key No. 30	2
30		*Rubber Plug	
31	64545-002	5/16"-18 UNC x 3/4" Hex Bolt with Retained Washer	12
32		*WABCO ABS Sensor No. 441-032-900-0	2
33	64550-000	ABS Sensor Clip	2



Equipped with Drum Brake Assembly



PARTS LISTS

KEY NO.	PART NO.	DESCRIPTION	VEHICLE QTY.
1		*Meritor Drum Brake Foundation Kit, Includes Key No. 2 Left Hand, Part No. QP4-1656-2055 Right Hand, Part No. QP4-1656-2056	1 1
2		*Dust Shield	2
3	80345-004	3/4"-16 x 2 1/4" Low Profile Hex Head Bolt	14
4	22962-001	3/4" Flat Washer	20
5	80691-001	3/4"-16 UNC - 2B Nut	6
6		*Conmet Preset Plus FL Hub Assembly Part No. 10081313, Includes Key Nos.6-16 *Hub Part No. 10033316 *Conmet Hub Bearing Rebuild Kit No. 10081728, One Wheel End, Includes Key Nos. 7-12 *Conmet Wheel Seal Kit No. 10081519, One Wheel End, Includes Key Nos. 7-8	2
7		*Bearing Spacer Part No. 10034342	
8		*Wheel Seal Part No. 10045883	
9		*Inner Bearing Cone Part No. 10041922	

KEY NO.	PART NO.	DESCRIPTION	VEHICLE QTY.
10		*Inner Bearing Cup Part No. 10041921	
11		*Outer Bearing Cup Part No. 10041923	
12		*Outer Bearing Cone Part No. 10041924 *Conmet Preset Plus FL Nut Assembly Kit No. 10036550, Includes Key Nos. 13-16	
13		*Snap Ring - Double Wind Part No. 10033288	
14		*Spindle Nut Lock Washer 10031171	
15		*Outer Spindle Nut Part No. 10031170	
16		*Snap Ring Retainer Part No. 10031172	
17		*Conmet Drum 16.5 x 6 No. 10033071	
18		**M22 x 1.5 Two-piece Wheel Nut	20
19		*Federal-Mogul Hub Cap Gasket No. G-3009	2
20		*Federal-Mogul Hub Cap No. 343-009, Includes Key No. 21	2
21		*Rubber Plug	2
22	64545-002	5/16"-18 UNC x 3/4" Hex Bolt with Retained Washer	12
23		*WABCO ABS Sensor No. 441-032-900-0	2
24	64550-000	ABS Sensor Clip	2

NOTES: * Not supplied by Hendrickson for aftermarket service purposes. Description and part number listed for reference only. For more information and assistance with service, maintenance and rebuild instructions on these components see below component manufacturers:

- Conmet technical and parts support 800.547.9473 or online for Parts: <https://hubcatalog.conmet.com/LookUpHub.aspx> and for technical support: www.conmet.com/general/literature, go to Wheel End Literature, scroll down to Service Manual, Literature No. 10084476
- Federal Mogul technical and parts support 800.325.8886 or go to www.fme-cat.com
- Meritor Technical and Part Support 888.725.9355, or online for parts: www.meritorpartsexpress.com and for technical support: www.meritorbullpen.com
- WABCO technical and parts support 855.228.3203 or online at www.wabco-auto.com/aftermarket-services/inform-product-catalog

** Not supplied by Hendrickson, used for reference only. Hendrickson is not responsible for components supplied by the vehicle manufacturer. For assistance with maintenance and rebuild instructions on these components see vehicle manufacturer.



■ Leaf Spring Assembly and Component Selection Guide

Capacity	Ride Height	Leaf Spring & Clamp Group Assembly <i>Refer to Parts List for Contents</i>	Clamp Group Service Kit	Leaf Spring Assembly Key No. 26 Part Number	1" Hex Bolt Key No. 21		1" Flat Washer (Use only as specified) Key No. 22 Part Number	Leaf Spring Spacer Key No. 28	
					Length	Part Number		Thickness	Part Number
18K	8"	80141-101	34013-278	82378-000	7"	64107-002	---	---	---
	9.82"	80141-102	34013-256		9"	64107-003	22962-051	1"	79814-000
20K	8"	80141-201	34013-278	82379-000	7"	64107-002	---	---	---
	9.5"	80141-202	34013-279		8.5"	64107-006	---	1"	79814-000
24K	8"	80141-001	34013-254	82380-000	7.5"	64107-000	22962-051	---	---
	9"	80141-002	34013-255		8.5"	64107-006	22962-051	1"	79814-000

⚠ WARNING

USE 1" FLAT WASHERS (PART NO. 22962-051) ONLY AS SPECIFIED IN TABLE 1 (LEAF SPRING AND CLAMP GROUP ASSEMBLY). THE TABLE LISTS DIFFERENT CONFIGURATIONS FOR THIS ASSEMBLY. FOR CERTAIN CONFIGURATIONS THE CLAMP GROUP REQUIRES THE USE OF 1" FLAT WASHERS (PART NO. 22962-051) WITH THE SPECIFIED 1" HEX BOLT LENGTH, BUT NOT IN OTHER CONFIGURATION SPECIFICATIONS IN TABLE 1 CAN RESULT IN IMPROPER CLAMP FORCE IN THE LEAF SPRING AND CLAMP GROUP ASSEMBLY, IMPROPER SEATING AND COMPONENT DAMAGE, WHICH CAN CAUSE LOSS OF VEHICLE CONTROL, ADVERSE VEHICLE HANDLING, PROPERTY DAMAGE AND PERSONAL INJURY.

■ Axle • Knuckle • Tie Rod Arm • Tie Rod Assembly Selection Guide

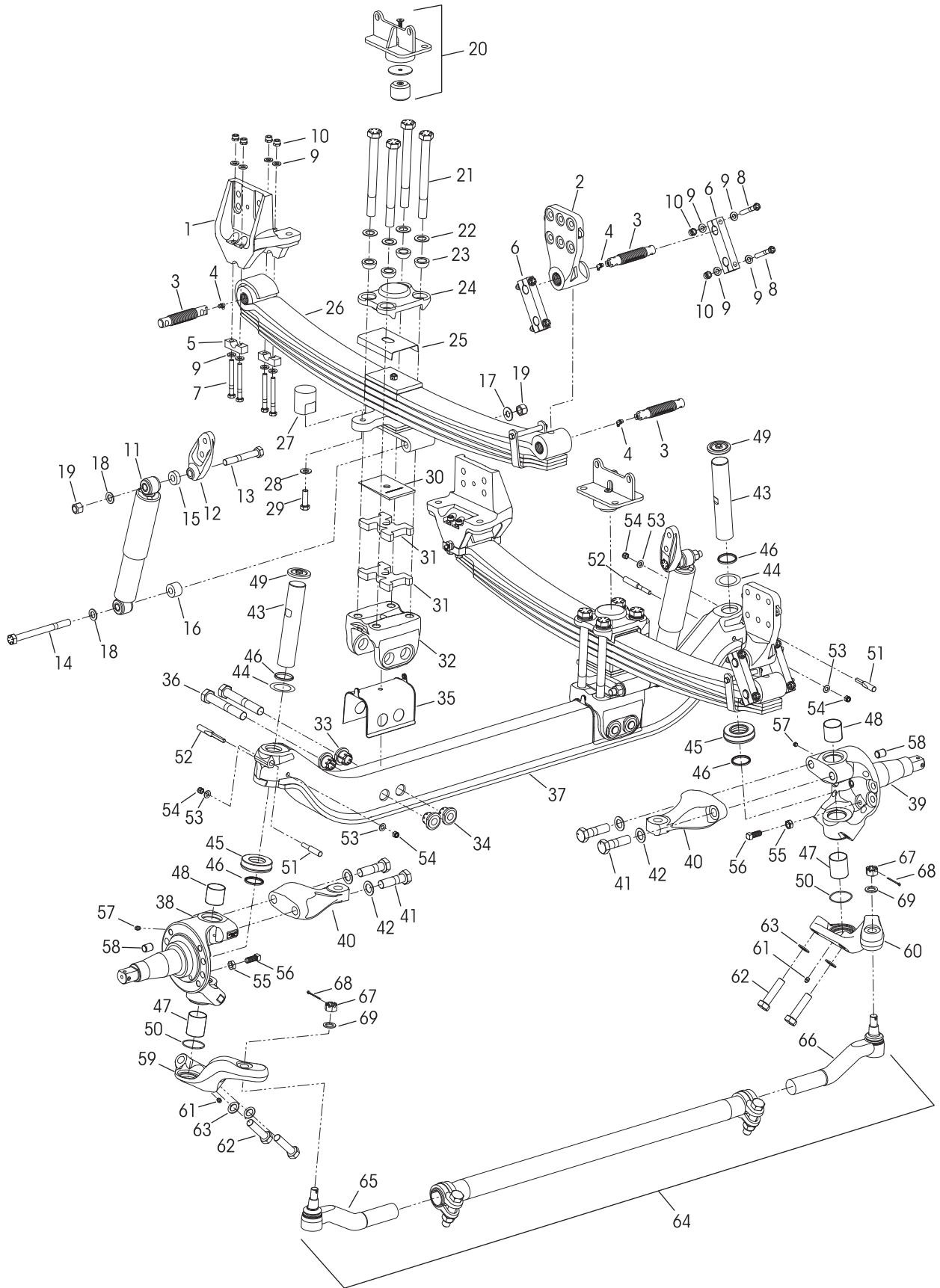
Wheel Base	Capacity	Part Number					
		Axle Assembly Key No. 34	Knuckle Assembly		Tie Rod Arm Assembly		Tie Rod Assembly Key No. 61
			Left Hand Key No. 35	Right Hand Key No. 36	Left Hand Key No. 56	Right Hand Key No. 57	
180-210	18K Single Steer, Left Hand Drive	80140-002	77243-001	77243-102	77244-033	77244-034	76879-002
	18K Single Steer, Right Hand Drive	80140-003	77243-101	77243-002			
211-240	20K Twin Steer	80140-004	77243-001		77243-002	77244-035	
240-260	24K with 425 mm Tires	80140-006		77243-001		77243-002	77244-037
	24K with 445 mm Tires	80140-007	77244-039		77244-040		76879-003





Suspension • Clamp Group • Axle Assembly

PARTS LISTS



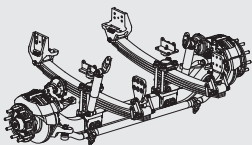


VEHICLE			VEHICLE	VEHICLE			VEHICLE
KEY NO.	PART NO.	DESCRIPTION	QTY.	KEY NO.	PART NO.	DESCRIPTION	QTY.
		Frame Hanger Assembly		35	78887-001	Axle Seat Liner	2
1	79894-003	Front	2	36		*1"-8 UNC x 6½" Hex Thru Bolt	4
2	80159-001	Rear with Bushing	2	37	91365-XXX	STEERTEK NXT Axle Fire and Rescue, Includes Key Nos. 38-69, See Selection Guide on Page 204	1
	34013-247	Frame Hanger Fastener Service Kit, One Side Front, Includes Key Nos. 5, 7, 9-10			77243-XXX	Knuckle Assembly, Includes Key Nos. 46, 55-58, See Selection Guide on Page 204	
	34013-248	Rear, Includes Key Nos. 3-4, 6, 8-10		38		Left Hand	1
	34013-249	Single Threaded Pin and Grease Zerk Service Kit, Includes Key Nos. 3-4		39		Right Hand	1
3		*Threaded Pin	6	40	77337-XXX	Steering Arm, See Selection Guide on Page 204	2
4		*Grease Zerk	6	41	30550-027	1"-14 UNF x 3½" Hex Bolt	4
5	79843-000	Front Hanger Bottom Cap	4	42	22962-051	1" Flat Washer	4
6	79888-001	Rear Shackles	4		34013-230	Kingpin Service Kit, One Side Includes Key Nos. 43, 44a, 45-54, 62-63	
7	80362-001	½"-20 UNC x 4½" Hex Bolt	8	43	75923-001	Kingpin	2
8	80362-002	½"-20 UNC x 3¼" Shackle Hex Bolt	8	44		Kingpin Shim (As needed for service)	2
9	22962-014	½" Flat Washer	32	a	77241-002	0.01" Thickness	
10	17700-034	½"-20 UNC Nut	16	b	77241-003	0.02" Thickness	
11	80606-001L	Shock Absorber	2	45	75918-001	Thrust Bearing	2
12	78250-002	Shock Bracket	2	46	75966-001	Kingpin Seal	4
13	50764-008	¾"-10 UNC x 5" Upper Shock Hex Bolt	2			Kingpin Bushing	
14	50764-014	¾"-10 UNC x 8½" Lower Shock Hex Bolt	2	47	75919-001	Lower, 2½" Length	2
		Shock Spacer		48	75919-002	Upper, 2" Length	2
15	59946-006	Upper, 13.2 mm Thick	2	49	77209-001	Grease Cap	2
16	59946-015	Lower Outboard, 28 mm Thick	2	50	68303-004	O-Ring	2
17	59946-005	Lower Inboard, 3 mm Thick	2			Kingpin Draw Key	
18	22962-001	¾" Flat Washer	4	51	75925-001	Upper, 3¾" Length	2
19	49842-000	¾"-10 UNC Nut	4	52	75925-002	Lower, 4¾" Length	2
20	79854-000	Jounce Stop Assembly	2	53	22962-054	7/16" Flat Washer	4
	91367-XXX	Leaf Spring & Clamp Group Assembly, Includes Key Nos. 21-36, See Selection Guide on Page 204	2	54	17700-008	7/16"-14 UNC-2B Nut	4
	34013-XXX	Clamp Group Service Kit, One Side, Includes Key Nos. 21-23, 25, See Selection Guide on Page 204		55	17491-023	5/8"-11 UNC-2B Jam Nut	2
21	64107-XXX	1"-8 UNC Hex Bolt, See Selection Guide on Page 204	8	56	80183-000	5/8"-11 UNC x 1½" Set Screw	2
22	22962-051	1" Flat Washer	8	57	33117-000	Grease Zerk	2
23	78356-002	1" Spherical Washer	8	58	64246-000	ABS Sensor Sleeve	2
24	78888-000	Top Pad	2		77244-XXX	Tie Rod Arm Assembly, Includes Key No. 61 See Selection Guide on Page 204	
25	79273-001	Spring Liner	2	59		Left Hand	1
26		Leaf Spring Assembly, See Selection Guide on Page 204	2	60		Right Hand	1
27	91432-000	Lockout Spacer 24K, 11.2125" Ride Height only See Selection Guide on Page 204	2	61	33117-000	Grease Zerk	2
28	22962-004	5/8" Flat Washer	2	62	30418-014	7/8"-14 UNF x 3½" Hex Bolt	4
29	32043-010	5/8"-11 UNC-2A x 1.75" Hex Bolt	2	63	22962-002	7/8" Flat Washer	4
30	80143-001	Caster Wedge - 2°	2	64	79365-001	Tie Rod Assembly, 20K Drop, Includes Key Nos. 65-67	1
31		Leaf Spring Spacer (if equipped) See Selection Guide on Page 204	4			Tie Rod End Service Kits,	
32	77232-000	Axle Seat	2		60961-884	Axle Set, Includes Kit Nos. 60961-882 and -883	
	34013-229	Axle Clamp Collar Service Kit, One Side Includes Key Nos. 33-36			60961-882	Left Hand, Includes Key Nos. 65, 67-69	
		*Axle Collar			60961-883	Right Hand, Includes Key Nos. 66-69	
33		Non Threaded	4			Tie Rod End, Includes Key No. 67	
34		Threaded	4	65	79366-001	Left Hand	1
				66	79366-002	Right Hand	1
				67		*7/8"-14 UNF-2A Castle Nut	2
				68	17800-004	Cotter Pin	2
				69	22962-002	7/8" Flat Washer	2

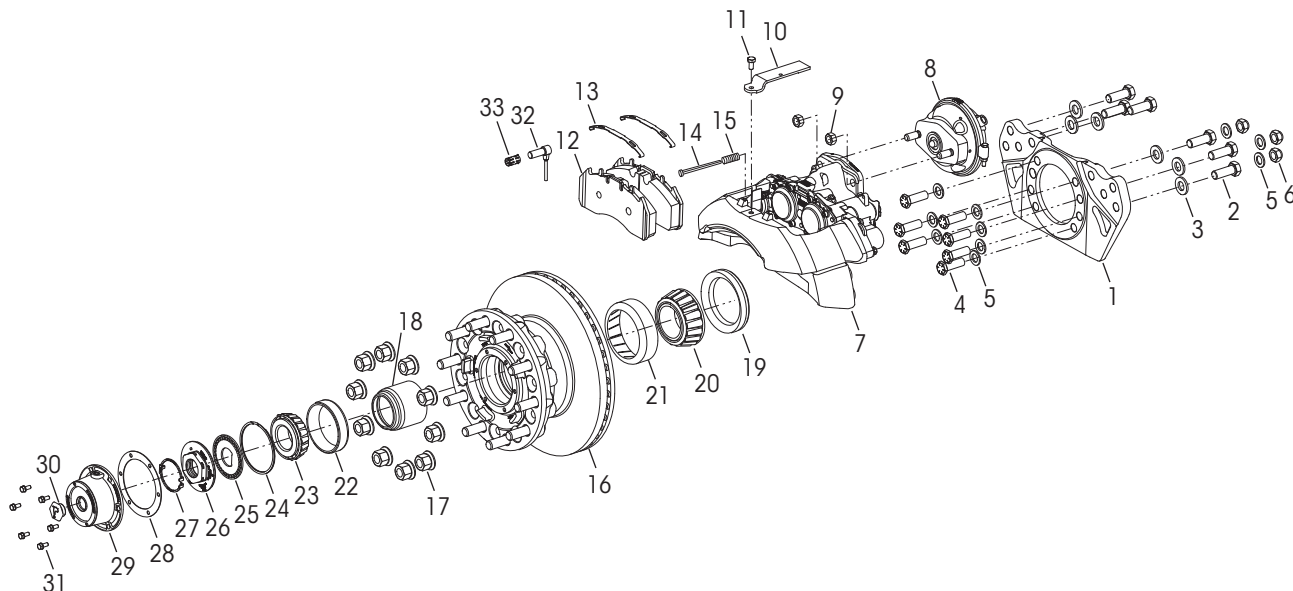
NOTE: * Item included in kit/assembly only, part not sold separately.



Equipped with Air Disc Assembly



PARTS LISTS

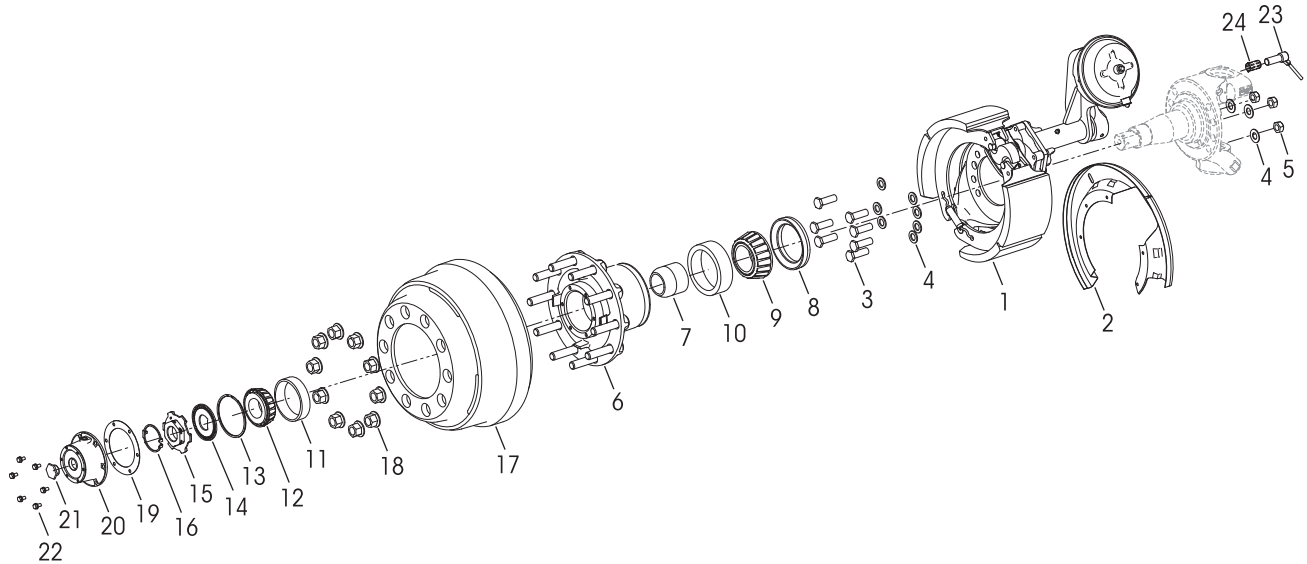
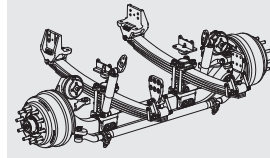


KEY NO.	PART NO.	DESCRIPTION	VEHICLE QTY.
1		*Meritor Torque Plate Assembly Left Hand, Part No. 3215-F-1878 Right Hand, Part No. 3215-E-1877	1 1
2	69781-002	M20 x 55 mm Hex Head Bolt	12
3	58246-039	M20 Flat Washer	12
4	80345-004	3/4"-16 UNC x 2 1/4" Low Profile Hex Head Bolt	14
5	22962-001	3/4" Flat Washer	20
6	80691-001	3/4"-16 UNC Hex Nut	6
7		*Meritor Air Disc Brake Caliper Assembly, Includes Key Nos. 10-13 Left Hand, Part No. EX225H202XX000S Right Hand, Part No. EX225H201XX000S	1 1
8		*WABCO Air Brake Chamber MGM T24L, Includes K80131-001 Key No. 9 Left Hand, Part No. 423 506 1340 Right Hand, Part No. 423 506 1350	1 1
9		*Hex Nut *Meritor Disc Pad Retainer Kit No. 22510, Includes Key Nos. 10-11	4
10		*Pad Retainer	
11		*Pad Retainer Bolt *Meritor Air Disc Brake Pad Kit No. 2252H2DA, Includes Key Nos 12-13	
12		*Air Disc Brake Pad	
13		*ADB Pad Spring *Meritor Wear Indicator Kit No. 225255, Includes Key Nos. 14-15	
14		*Wear Indicator	
15		*Wear Indicator Spring	

KEY NO.	PART NO.	DESCRIPTION	VEHICLE QTY.
16		*Conmet Hub and Rotor Assembly Part No. 10083224, Includes Bearings and Seals *Conmet Brake Rotor Replacement Kit No. 10082181, One Wheel End, Includes Rotor and 10 of each Cap Screws and Washers	2
17		**M22 x 1.5 Two-piece Wheel Nut *Conmet Hub Bearing Rebuild Kit No. 10081728, One Wheel End, Includes Key Nos. 18-23 *Conmet Wheel Seal Kit No. 10081519, One Wheel End, Includes Key Nos. 18-19	20
18		*Bearing Spacer Part No. 10034342	
19		*Wheel Seal Part No. 10045883	
20		*Inner Bearing Cone Part No. 10041922	
21		*Inner Bearing Cup Part No. 10041921	
22		*Outer Bearing Cup Part No. 10041923	
23		*Outer Bearing Cone Part No. 10041924 *Conmet Preset Plus FL Nut Assembly Kit No. 10036550, Includes Key Nos. 24-27	
24		*Snap Ring - Double Wind Part No. 10033288	
25		*Spindle Nut Lockwasher Part No. 10031171	
26		*Outer Spindle Nut Part No. 10031170	
27		*Snap Ring Retainer Part No. 10031172	
28		*Federal-Mogul Hub Cap Gasket No. G-3009	2
29		*Federal-Mogul Hub Cap Part No. 343-009, Includes Key No. 30	2
30		*Rubber Plug	
31	64545-002	5/16"-18 UNC x 3/4" Hex Bolt with Retained Washer	12
32		*WABCO ABS Sensor Part No. 441-032-900-0	2
33	64550-000	ABS Sensor Clip	2



Equipped with Drum Brake Assembly



PARTS LISTS

KEY NO.	PART NO.	DESCRIPTION	VEHICLE QTY.
1		*Meritor Drum Brake Foundation Kit, Includes Key No. 2 Left Hand, Part No. QP4-1656-2125 Right Hand, Part No. QP4-1656-2126	1 1
2		*Dust Shield	2
3	80345-004	3/4"-16 x 2 1/4" Low Profile Hex Head Bolt	14
4	22962-001	3/4" Flat Washer	20
5	80691-001	3/4"-16 UNC - 2B Nut	6
		*Conmet Preset Plus FL Hub Assembly Part No. 10081313, Includes Key Nos.6-16	2
6		*Hub Part No. 10033316 *Conmet Hub Bearing Rebuild Kit No. 10081728, One Wheel End, Includes Key Nos. 7-12 *Conmet Wheel Seal Kit No. 10081519, One Wheel End, Includes Key Nos. 7-8	
7		*Bearing Spacer Part No. 10034342	
8		*Wheel Seal Part No. 10045883	
9		*Inner Bearing Cone Part No. 10041922	

KEY NO.	PART NO.	DESCRIPTION	VEHICLE QTY.
10		*Inner Bearing Cup Part No. 10041921	
11		*Outer Bearing Cup Part No. 10041923	
12		*Outer Bearing Cone Part No. 10041924	
		*Conmet Preset Plus FL Nut Assembly Kit No. 10036550, Includes Key Nos. 13-16	
13		*Snap Ring - Double Wind Part No. 10033288	
14		*Spindle Nut Lockwasher Part No. 10031171	
15		*Outer Spindle Nut Part No. 10031170	
16		*Snap Ring Retainer Part No. 10031172	
17		*Conmet Drum 16.5 x 6 Part No. 10033071	
18		**M22 x 1.5 Two-piece Wheel Nut	20
19		*Federal-Mogul Hub Cap Gasket No. G-3009	2
20		*Federal-Mogul Hub Cap Part No. 343-009, Includes Key No. 21	2
21		*Rubber Plug	
22	64545-002	5/16"-18 UNC x 3/4" Hex Bolt with Retained Washer	12
23		*WABCO ABS Sensor Part No. 441-032-900-0	2
24	64550-000	ABS Sensor Clip	2

NOTES: * Not supplied by Hendrickson for aftermarket service purposes. Description and part number listed for reference only. For more information and assistance with service, maintenance and rebuild instructions on these components see below component manufacturers:

- Conmet technical and parts support 800.547.9473 or online for Parts: <https://hubcatalog.conmet.com/LookUpHub.aspx> and for technical support: www.conmet.com/general/literature, go to Wheel End Literature, scroll down to Service Manual, Lit No. 10084476
 - Federal Mogul Technical and Part Support 800.325.8886 or online at www.fme-cat.com
 - Meritor Technical and Part Support 888.725.9355, or online for parts: www.meritorpartsexpress.com and for technical support: www.meritorbullpen.com
 - WABCO Technical and Part Support 855.228.3203 or online at www.wabco-auto.com/aftermarket-services/inform-product-catalog
- ** Not supplied by Hendrickson, used for reference only. Contact the vehicle manufacturer for more information.

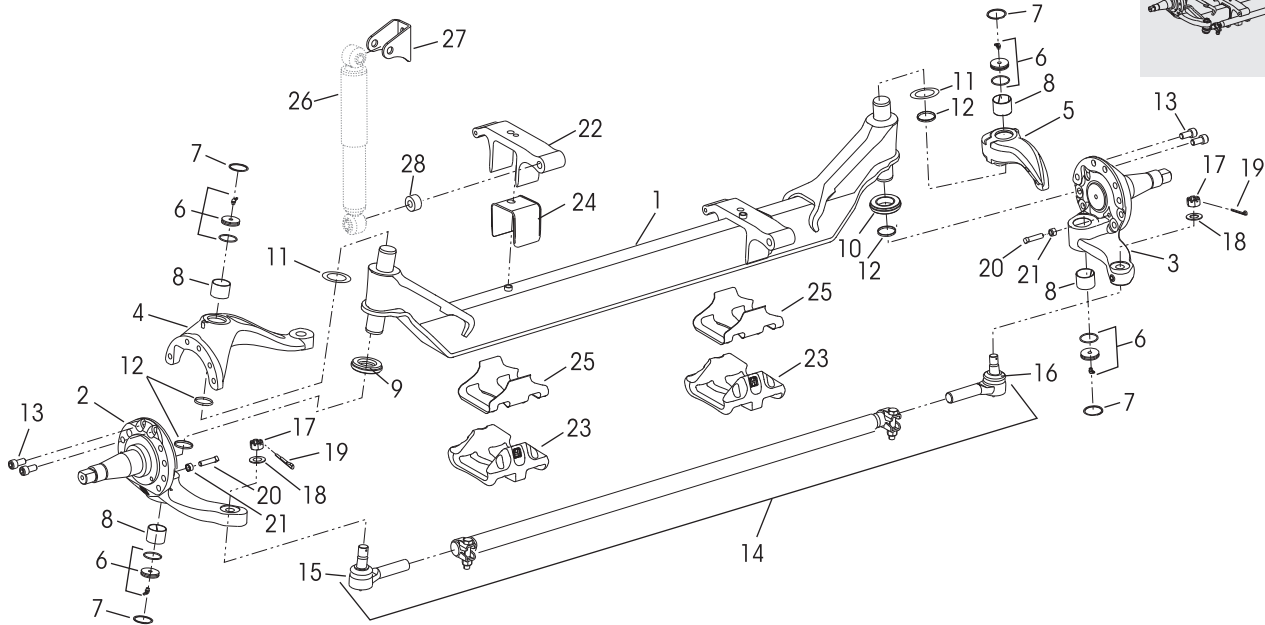
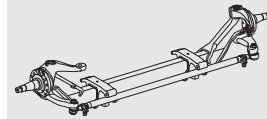


■ Leaf Spring Assembly and Component Selection Guide

Capacity	Ride Height	Leaf Spring and Clamp Group Assembly	Clamp Group Service Kit	Leaf Spring Assembly Key No. 26	1" Hex Bolt Key No. 21		1" Leaf Spring Spacer Key No. 31		Right & Left Hand Lockout Spacer Key No. 27
				Part No.	Length	Part No.	Qty	Part No.	Part No.
19K	10.1125"	91367-001	34013-314	82613-000	9.5	64107-007	--		
20K		91367-101		82614-000					
24K	9.2125"	91367-201	34013-255	82615-000	8.5	64107-006			
	11.2125"	91367-202							
		91367-301 (LH)							
		91367-302 (RH)							

■ Axle, Knuckle, Tie Rod Arm Assembly and Steering Arm Selection Guide

Wheelbase	Capacity	STEERTEK NXT	Knuckle Assembly		Tie Rod Arm Assembly		Steering Arm	
		Axle Assembly Key No. 37	Left Hand Key No. 38	Right Hand Key No. 39	Left Hand Key No. 59	Right Hand Key No. 60	Left Hand Key No. 40	Right Hand Key No. 40
170-195"	19K, 20K	91365-001	77243-001	77243-102	77244-059	77244-060	77337-003	--
196-220"		91365-002			77244-031	77244-032		
196-220"	24K	91365-003		77243-002	77244-063	77244-064	77337-009	
221-250"		91365-004			77244-065	77244-066		
251-280"		91365-005						



PARTS LISTS

KEY NO.	PART NO.	DESCRIPTION	VEHICLE QTY.
	70952-XXX	Axle Assembly, Includes Key Nos. 1-25, contact Hendrickson Tech Services for proper Axle Assembly Part Number	1
1		Axle & Kingpin Assembly	1
	64905-001	Replaces 59924-001, Coronado, 4¼ Drop, 70.9 KPI, 315 mm/355 mm Ride Height	
	64905-002	Replaces 59924-002, CST/Columbia, 4¼ Drop, 69 KPI, 315 mm/355 mm Ride Height	
	64905-004	Replaces 59924-004, CST/Columbia, 5.36" Drop, 69 KPI, 280 mm/315 mm Ride Ht.	
2		Left Hand Lower Steering Knuckle Assembly	1
	58900-001	250 Ackermann	
	58900-003	200 Ackermann	
	58900-005	150 Ackermann	
3		Right Hand Lower Steering Knuckle Assembly	1
	58900-002	250 Ackermann	
	58900-004	200 Ackermann	
	58900-006	150 Ackermann	
4		***Left Hand Upper Steering Knuckle Assembly	1
		12K, 4.25" Drop, 69 KPI	
	60903-034	280 mm Ride Height, Replaces 60903-004	
	60903-035	315 mm Ride Height, Replaces 60903-005	
	60903-036	355 mm Ride Height, Replaces 60903-006	
		12K, 4.25"/ 5.36" Drop, 70.9 KPI	
	60903-038	315 mm Ride Height, Replaces 60903-008	
	60903-039	355 mm Ride Height, Replaces 60903-009	
5		***Right Hand Upper Steering Knuckle Assembly	1
		Kingpin Bushing and Bearing Service Kits	
	60961-040	Axle Set, Includes Kit Nos. 60961-009 & -039	
	60961-009	Left Hand, Includes Key Nos. 6-9, 11-13 & Loctite	
	60961-039	Right Hand, Includes Key Nos. 6-8, 10-13, Loctite	
6	59156-000	Grease Cap Assembly	4
7	58937-000	Retaining Ring	4
8	58909-000	Kingpin Bushing	4
		Thrust Bearing Service Kits	
	60961-043	Axle Set, Includes Kit Nos. 60961-041 & -042	
	60961-041	Right Hand, Includes Key Nos. 10-13 & Loctite	
	60961-042	Left Hand, Includes Key Nos. 9, 11-13 & Loctite	

KEY NO.	PART NO.	DESCRIPTION	VEHICLE QTY.
9	59828-000	Left Hand Composite Thrust Bearing	1
10	64256-000L	Right Hand Roller Thrust Bearing	1
11		Kingpin Shim	As Req.
	60259-001X	0.005" Thickness (Pack of 4)	
	60259-002	0.047" Thickness	
12	58910-001	Kingpin Seal, Replaces 58910-000	4
13	60236-001	¾" Socket head cap screw	4
Not Shown	60937-000	Loctite® (Red) Compound Tube	1
14		Tie Rod Assembly, Includes Key Nos. 15-17	1
		See Selection Guide on Page 117	
	60961-XXX	Tie Rod End Service Kits, see Selection Guide on Page 117	
		Tie Rod End, see Selection Guide on Page 117	
15		Left Hand	1
16		Right Hand	1
17		**7/8" Castle Nut	2
18	22962-007	7/8" Flat Washer	2
19	17800-004	Tie Rod Nut Cotter Pin	2
20	60238-000	½"-13 UNC Square Head Bolt	2
21	60240-000	½"-13 UNC Hex Jam Nut	2
22		Top Axle Wrap	2
		CST/Columbia 69 KPI	
	59952-003	4.25" Drop, 315 mm Ride Height	
		5.36" Drop, 260 mm/280 mm Ride Height	
	59952-004	4.25" Drop, 355 mm Ride Height	
		5.36" Drop, 315 mm Ride Height	
		Coronado (WS) 70.9 KPI	
	59952-005	4.25" Drop, 315 mm Ride Height	
	59952-006	4.25" Drop, 355 mm Ride Height	
		5.36" Drop, 315 mm Ride Height	
23	64723-002	Bottom Axle Wrap, Replaces 59440-002	2
	60961-015	Top/Bottom Axle Wrap Liner Service Kit, One Side, Includes Key Nos. 24-25	
24	60508-000	Top Axle Wrap Liner	2
25	59845-000	Bottom Axle Wrap Liner	2
26		*Shock Absorber	2
27	59423-002	Shock Bracket	2
28	59946-001	Shock Spacer	2



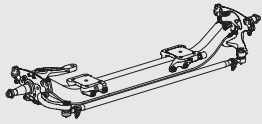
STEERTEK NXT Axle Cross Caster

- Medium-duty with Standard Brake Knuckle
- Standard-duty with Standard Brake Knuckle | Integrated Brake Knuckle (IBK)

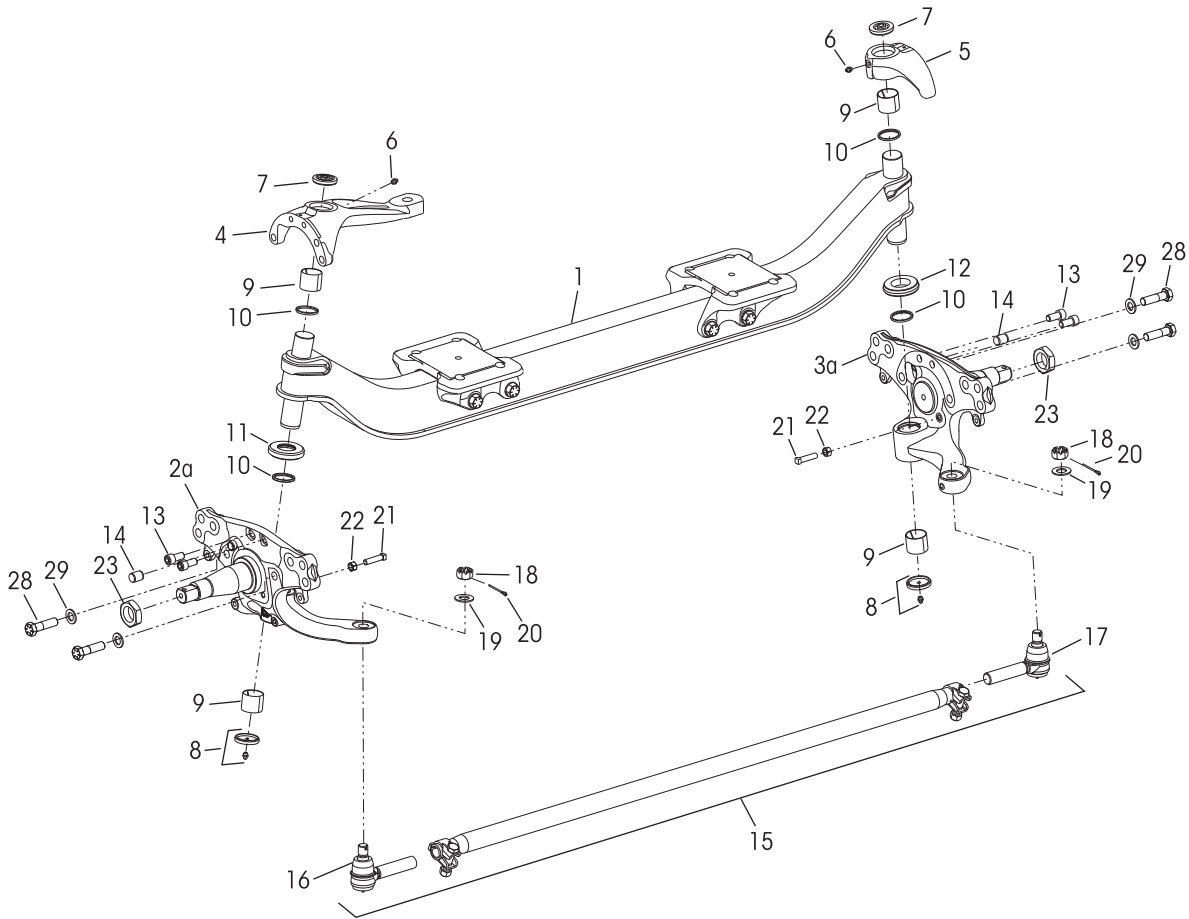
ProStar (LT Series) 12K • 12.35K • 13.2K • 14K • 14.6K

TranStar (RH Series) 12K • 12.35K • 14K

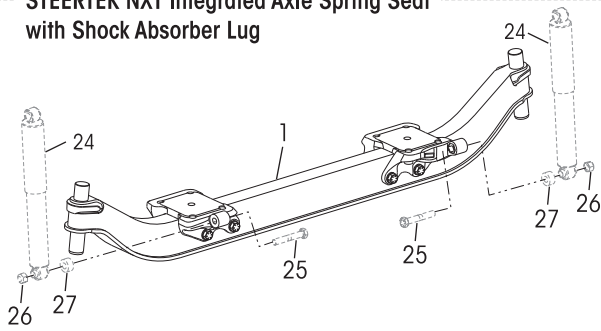
LoneStar (LS Series) 12.35K • 13.2K • 14K • 14.6K



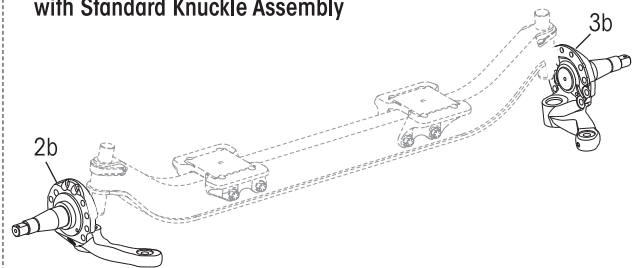
PARTS LISTS



STEERTEK NXT Integrated Axle Spring Seat with Shock Absorber Lug



STEERTEK NXT with Standard Knuckle Assembly





KEY NO.	PART NO.	DESCRIPTION	VEHICLE QTY.	KEY NO.	PART NO.	DESCRIPTION	VEHICLE QTY.
		STEERTEK NXT Cross Caster Axle Assembly, <i>See Selection Guide on Page 208</i>	1			Thrust Bearing Service Kits,	
	79487-XXX	Medium-duty • 10K, 12K w/Standard Brake Knuckle, Includes Key Nos. 1-10, 12-23			60961-631	Axle Set, Includes Kit Nos. 60961-632 & -633	
	92997-XXX	*****Standard-duty, <i>Replaces 68997-XXX</i> • 12K, 12.35K, 13.2K 14K, 14.6K w/Standard Brake Knuckle, Includes Key Nos. 1-23			60961-632	**** Left Hand Composite Thrust Bearing, Includes Key Nos. 10-11, 13 & Loctite, for 92997-XXX Axle	
1		***Axle & Kingpin Assembly, Cross Caster <i>See Selection Guide on Page 208</i>	1		60961-633	Roller Thrust Bearing, Includes Key Nos. 10, 12-13 & Loctite	
	79486-XXXM	10K, 12K Medium-duty		10	68731-000	Kingpin Seal	4
	92996-XXXM	*****12K, 12.35K, 13.2K, 14K, 14.6K Standard-duty, <i>Replaces 68996-XXXM</i>		11	59828-000	****Left Hand Composite Thrust Bearing	1
		Lower Steering Knuckle Assembly, Includes Key Nos. 8-10, 14, 21-22. <i>See Selection Guide on Page 208</i>		12	64256-000L	****Roller Thrust Bearing	1
a	80029-XXX	• with Integrated Brake Knuckle Assembly		13	60236-001	5/8"-11 UNC Socket Head Cap Screw	4
b	58900-XXX	• with Standard Brake Knuckle Assembly		Not Shown	60937-000	Loctite® (Red) Compound Tube	1
2		Left Hand	1	14	64246-000	ABS Sensor Sleeve	2
3		Right Hand	1	15		Tie Rod Assembly, Includes Key Nos. 16-18 <i>See Selection Guide on Page 133</i>	1
		Upper Steering Knuckle Assembly, Includes Key Nos. 6-7, 9-10, <i>See Selection Guide on Page 208</i>				Tie Rod End Service Kits, See Selection Guide on Page 133	
4	60903-XXX	Left Hand	1			Axle Set, Includes Left Hand & Right Hand Kits	
5	60904-XXX	Right Hand	1			Left Hand, Includes Key Nos. 16, 18-20	
		Kingpin Bushing and Bearing Service Kits,				Right Hand, Includes Key Nos. 17-20	
	60961-628	Axle Set, Includes Kit Nos. 60961-629 & -630				Tie Rod End, Includes Key No. 18, <i>See Selection Guide on Page 133</i>	
	60961-629	Left Hand Composite Thrust Bearing, Includes Key Nos. 6-11, 13, Loctite		16		Left Hand	1
	60961-630	Roller Thrust Bearing, Includes Key Nos. 6-10, 12-13, Loctite		17		Right Hand	1
6	33117-000	Grease Zerk	2	18		**7/8" Castle Nut	2
7	68687-003	Upper Grease Cap Assembly	2	19	22962-007	7/8" Flat Washer	2
8	68687-002	Lower Grease Cap Assembly	2	20	17800-004	Tie Rod Nut Cotter Pin	2
9	58909-001	Kingpin Bushing	4		60961-069	Stop Bolt Service Kit, One Side, Includes Key Nos. 21-22	
				21	60238-001	1/2"-13 UNC Square Head Bolt	2
				22	60240-000	1/2"-13 UNC Hex Jam Nut	2
				23	64578-000	1 1/2"-12 UNF Spindle Nut	2
				24		*Shock Absorber	2
				25		*3/4"-10 UNC x 5" Lower Shock Flange Bolt	2
				26		*3/4"-10 UNC Lower Shock Hex Flange Locknut	2
				27		*Shock Spacer (if equipped)	2
				28		**3/4"-16 UNF x 2 3/4" Bolt (IBK)	4
				29		**3/4" Flat Washer (IBK)	4

PARTS LISTS

NOTES: * Not supplied by Hendrickson, used for reference only. Hendrickson is not responsible for components supplied by the vehicle manufacturer. For assistance with maintenance and rebuild instructions on these components see vehicle manufacturer.

** Item included in kit/assembly only, part not sold separately.

*** Axle spring seats come assembled with the axle beam and are not serviceable.

**** Effective January 2019, vehicles equipped with Hendrickson STEERTEK NXT/STEERTEK with the exception of 79487-XXX axle, will be installed with a left hand **composite** bearing and a right hand **roller** bearing configuration to replace the previous roller/roller bearing configuration for production and aftermarket.

***** Effective May 2019, the STEERTEK NXT cross caster axle assemblies replaced the non-cross caster axle assemblies (92997-XXX series replaced the 68997-XXX series and the 92996-XXX series replaced the 68996-XXX series).



PARTS LISTS

■ Medium-duty Cross Caster with Standard Brake Knuckle Selection Guide

	Capacity	Mounting Fasteners	Wheel Base	KPI	Part Number					
					STEERTEK NXT Assembly	Axle & Kingpin Assembly Key No. 1	Lower Steering Knuckle Assembly		Upper Steering Knuckle Assembly	
							Left Hand Key No. 2	Right Hand Key No. 3	Left Hand Key No. 4	Right Hand Key No. 5
MV SERIES	10K	5/8"	< 200"	69.0"	79487-001	79486-002M	58900-293	58900-294	60903-279	60904-234
			> 200"		79487-002		58900-273	58900-274	60903-279	60904-234
		3/4"	< 200"	69.0"	79487-003		58900-493	58900-494	60903-479	60904-432
			> 200"		79487-004		58900-473	58900-474	60903-479	60904-432
	12K	5/8"	< 200"	69.0"	79487-005	79486-004M	58900-293	58900-294	60903-279	60904-234
			> 200"		79487-006		58900-273	58900-274	60903-279	60904-234
		3/4"	< 200"	69.0"	79487-007		58900-493	58900-494	60903-479	60904-432
			> 200"		79487-008		58900-473	58900-474	60903-479	60904-432

■ Standard-duty Cross Caster with Integrated Brake Knuckle (IBK) Selection Guide

LT SERIES • PROSTAR	12K	3/4"	< 200"	70.9"	*92997-503	*92996-001M	80029-093	80029-094	60903-463	60904-432	
			> 200"		*92997-504		80029-073	80029-074			
		3/4"	< 200"	70.9"	*92997-547		*92996-005M	80029-093			80029-094
			> 200"		*92997-548		80029-073	80029-074			
	12.35K	3/4"	< 200"	70.9"	*92997-543	*92996-001M	80029-093	80029-094			
			> 200"		*92997-544	80029-073	80029-074				
		3/4"	< 200"	70.9"	*92997-559	*92996-005M	80029-093	80029-094			
			> 200"		*92997-560	80029-073	80029-074				
	13.2K	3/4"	< 200"	70.9"	*92997-617	*92996-009M	80029-093	80029-094			
			> 200"		*92997-618	80029-073	80029-074				
		3/4"	< 200"	70.9"	*92997-627	*92996-011M	80029-093	80029-094			
			> 200"		*92997-628	80029-073	80029-074				

■ Standard-duty Cross Caster with Standard Brake Knuckle built after August 1, 2011 Selection Guide

LT SERIES • PROSTAR	12K	3/4"	< 200"	69.0"	*92997-001	*92996-002M	58900-493	58900-494	60903-462	60904-432		
			> 200"		*92997-002		58900-473	58900-474				
			3/4"	< 200"	70.9"		*92997-003	*92996-001M	58900-493		58900-494	60903-463
				> 200"			*92997-004	58900-473	58900-474			
		3/4"	69.0"	< 200"	*92997-045	*92996-006M	58900-493	58900-494	60903-462			
				> 200"	*92997-046	58900-473	58900-474					
			70.9"	< 200"	*92997-047	*92996-005M	58900-493	58900-494	60903-463			
				> 200"	*92997-048	58900-473	58900-474					
	5/8"	69.0"	< 200"	*92997-061	*92996-002M	58900-293	58900-294	60903-262				
			> 200"	*92997-062	58900-273	58900-274						
		70.9"	< 200"	*92997-063	*92996-001M	58900-293	58900-294	60903-263				
			> 200"	*92997-064	58900-273	58900-274						
	5/8"	69.0"	< 200"	*92997-097	*92996-006M	58900-293	58900-294	60903-262				
			> 200"	*92997-098	58900-273	58900-274						
		70.9"	< 200"	*92997-099	*92996-005M	58900-293	58900-294	60903-263				
			> 200"	*92997-100	58900-273	58900-274						

See notes on Page 211

Continued on Next Page



■ Standard-duty Cross Caster with Standard Brake Knuckle built after August 1, 2011 Selection Guide

Capacity	Mounting Fasteners	Wheel Base	KPI	Part Number						
				STEERTEK NXT Assembly	Axle & Kingpin Assembly Key No. 1	Lower Steering Knuckle Assembly		Upper Steering Knuckle Assembly		
						Left Hand Key No. 2	Right Hand Key No. 3	Left Hand Key No. 4	Right Hand Key No. 5	
12.35K	3/4"	< 200"	69.0"	*92997-005	*92996-002M	58900-493	58900-494	60903-462	60904-432	
		> 200"		*92997-006		58900-473	58900-474			
		< 200"	70.9"	*92997-043	*92996-001M	58900-493	58900-494	60903-463		
		> 200"		*92997-044		58900-473	58900-474			
	3/4"	< 200"	69.0"	*92997-049	*92996-006M	58900-493	58900-494	60903-462	60904-432	
		> 200"		*92997-050		58900-473	58900-474			
		< 200"	70.9"	*92997-059	*92996-005M	58900-493	58900-494	60903-463		
		> 200"		*92997-060		58900-473	58900-474			
	5/8"	< 200"	69.0"	*92997-065	*92996-002M	58900-293	58900-294	60903-262	60904-232	
		> 200"		*92997-066		58900-273	58900-274			
		< 200"	70.9"	*92997-095	*92996-001M	58900-293	58900-294	60903-263		
		> 200"		*92997-096		58900-273	58900-274			
	5/8"	< 200"	69.0"	*92997-101	*92996-006M	58900-293	58900-294	60903-262	60904-232	
		> 200"		*92997-102		58900-273	58900-274			
		< 200"	70.9"	*92997-111	*92996-005M	58900-293	58900-294	60903-263		
		> 200"		*92997-112		58900-273	58900-274			
	13.2K	3/4"	< 200"	70.9"	*92997-007	*92996-009M	58900-493	58900-494	60903-463	60904-432
			> 200"		*92997-008		58900-473	58900-474		
			< 200"	69.0"	*92997-009	*92996-010M	58900-493	58900-494	60903-462	
			> 200"		*92997-010		58900-473	58900-474		
		3/4"	< 200"	70.9"	*92997-051	*92996-011M	58900-493	58900-494	60903-463	60904-432
			> 200"		*92997-052		58900-473	58900-474		
			< 200"	69.0"	*92997-053	*92996-012M	58900-493	58900-494	60903-462	
			> 200"		*92997-054		58900-473	58900-474		
5/8"		< 200"	70.9"	*92997-067	*92996-009M	58900-293	58900-294	60903-263	60904-232	
		> 200"		*92997-068		58900-273	58900-274			
		< 200"	69.0"	*92997-069	*92996-010M	58900-293	58900-294	60903-262		
		> 200"		*92997-070		58900-273	58900-274			
5/8"		< 200"	70.9"	*92997-103	*92996-011M	58900-293	58900-294	60903-263	60904-232	
		> 200"		*92997-104		58900-273	58900-274			
		< 200"	69.0"	*92997-105	*92996-012M	58900-293	58900-294	60903-262		
		> 200"		*92997-106		58900-273	58900-274			
14K		3/4"	< 200"	69.0"	92997-011	92996-004M	58900-493	58900-494	60903-462	60904-432
			> 200"		92997-012		58900-473	58900-474		
		3/4"	< 200"	69.0"	92997-055	92996-008M	58900-493	58900-494	60903-462	60904-432
			> 200"		92997-056		58900-473	58900-474		
		3/4"	< 200"	70.9"	92997-113	92996-007M	58900-493	58900-494	60903-463	60904-432
			> 200"		92997-114		58900-473	58900-474		

See notes on Page 211

Continued on Next Page

PARTS LISTS



■ Standard-duty Cross Caster with Standard Brake Knuckle built after August 1, 2011 Selection Guide

PARTS LISTS

Capacity	Mounting Fasteners	Wheel Base	KPI	Part Number						
				STEERTEK NXT Assembly	Axle & Kingpin Assembly Key No. 1	Lower Steering Knuckle Assembly		Upper Steering Knuckle Assembly		
						Left Hand Key No. 2	Right Hand Key No. 3	Left Hand Key No. 4	Right Hand Key No. 5	
14K	5/8"	< 200"	69.0"	92997-071	92996-004M	58900-293	58900-294	60903-262	60904-232	
		> 200"		92997-072		58900-273	58900-274			
	5/8"	< 200"	69.0"	92997-107	92996-008M	58900-293	58900-294	60903-262	60904-232	
		> 200"		92997-108		58900-273	58900-274			
	5/8"	< 200"	70.9"	92997-115	92996-007M	58900-293	58900-294	60903-263	60904-232	
		> 200"		92997-116		58900-273	58900-274			
	14.6K	3/4"	< 200"	69.0"	92997-013	92996-004M	58900-493	58900-494	60903-462	60904-432
			> 200"		92997-014		58900-473	58900-474		
		3/4"	< 200"	69.0"	92997-057	92996-008M	58900-493	58900-494	60903-462	60904-432
			> 200"		92997-058		58900-473	58900-474		
		5/8"	< 200"	69.0"	92997-073	92996-004M	58900-293	58900-294	60903-262	60904-232
			> 200"		92997-074		58900-273	58900-274		
5/8"		< 200"	69.0"	92997-109	92996-008M	58900-293	58900-294	60903-262	60904-232	
		> 200"		92997-110		58900-273	58900-274			
12.35K		3/4"	< 200"	70.9"	*92997-015	*92996-001M	58900-493	58900-494	60903-468	60904-432
			> 200"		*92997-016		58900-473	58900-474		
		5/8"	< 200"	70.9"	*92997-075	*92996-001M	58900-293	58900-294	60903-268	60904-232
			> 200"		*92997-076		58900-273	58900-274		
13.2K	3/4"	< 200"	70.9"	*92997-017	*92996-009M	58900-493	58900-494	60903-468	60904-432	
		> 200"		*92997-018		58900-473	58900-474			
		69.0"	< 200"	*92997-019	*92996-010M	58900-493	58900-494	60903-465	60904-432	
			> 200"	*92997-020		58900-473	58900-474			
	5/8"	70.9"	< 200"	*92997-077	*92996-009M	58900-293	58900-294	60903-268	60904-232	
			> 200"	*92997-078		58900-273	58900-274			
		69.0"	< 200"	*92997-079	*92996-010M	58900-293	58900-294	60903-265	60904-232	
			> 200"	*92997-080		58900-273	58900-274			
14K	3/4"	< 200"	70.9"	92997-021	92996-003M	58900-493	58900-494	60903-469	60904-432	
		> 200"		92997-022		58900-473	58900-474			
		69.0"	< 200"	92997-023	92996-004M	58900-493	58900-494	60903-466	60904-432	
			> 200"	92997-024		58900-473	58900-474			
	5/8"	70.9"	< 200"	92997-081	92996-003M	58900-293	58900-294	60903-269	60904-232	
			> 200"	92997-082		58900-273	58900-274			
		69.0"	< 200"	92997-083	92996-004M	58900-293	58900-294	60903-266	60904-232	
			> 200"	92997-084		58900-273	58900-274			
14.6K	3/4"	< 200"	69.0"	92997-025	92996-004M	58900-493	58900-494	60903-466	60904-432	
		> 200"		92997-026		58900-473	58900-474			
	5/8"	< 200"	69.0"	92997-085	92996-004M	58900-293	58900-294	60903-266	60904-232	
		> 200"		92997-086		58900-273	58900-274			

See notes on Page 211

Continued on Next Page



■ Standard-duty Cross Caster with Standard Brake Knuckle built after August 1, 2011 Selection Guide

	Capacity	Mounting Fasteners	Wheel Base	KPI	Part Number					
					STEERTEK NXT Assembly	Axle & Kingpin Assembly Key No. 1	Lower Steering Knuckle Assembly		Upper Steering Knuckle Assembly	
							Left Hand Key No. 2	Right Hand Key No. 3	Left Hand Key No. 4	Right Hand Key No. 5
RH SERIES • TRANSTAR	12K	3/4"	< 200"	70.9"	*92997-029	*92996-001M	58900-493	58900-494	60903-467	60904-432
			> 200"		*92997-030		58900-473	58900-474		
		3/4"	< 200"	69.0"	*92997-033	*92996-002M	58900-493	58900-494	60903-464	60904-432
			> 200"		*92997-034		58900-473	58900-474		
		5/8"	< 200"	70.9"	*92997-087	*92996-001M	58900-293	58900-294	60903-267	60904-232
			> 200"		*92997-088		58900-273	58900-274		
	5/8"	< 200"	69.0"	*92997-089	*92996-002M	58900-293	58900-294	60903-264	60904-232	
		> 200"		*92997-090		58900-273	58900-274			
	13K	3/4"	< 200"	70.9"	*92997-037	*92996-003M	58900-493	58900-494	60903-467	60904-432
			> 200"	70.9"	*92997-038		58900-473	58900-474		
		5/8"	< 200"	70.9"	*92997-091	*92996-003M	58900-293	58900-294	60903-267	60904-232
			> 200"	70.9"	*92997-092		58900-273	58900-274		
14K	3/4"	< 200"	70.9"	92997-041	92996-003M	58900-493	58900-494	60903-467	60904-432	
		> 200"	70.9"	92997-042		58900-473	58900-474			
	5/8"	< 200"	70.9"	92997-093	92996-003M	58900-293	58900-294	60903-267	60904-232	
		> 200"	70.9"	92997-094		58900-273	58900-274			

PARTS LISTS

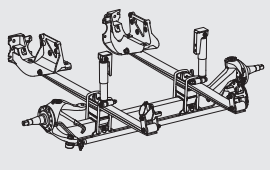
NOTE: Items shown in light gray denotes STEERTEK NXT integrated axle spring seat **without** shock absorber lug.

* Effective May 2019, STEERTEK NXT axle assembly series 92997-XXX (cross caster) replaces 68997-XXX series and Axle & Kingpin assembly series 92996-XXX (cross caster) replaces 68996-XXX series.

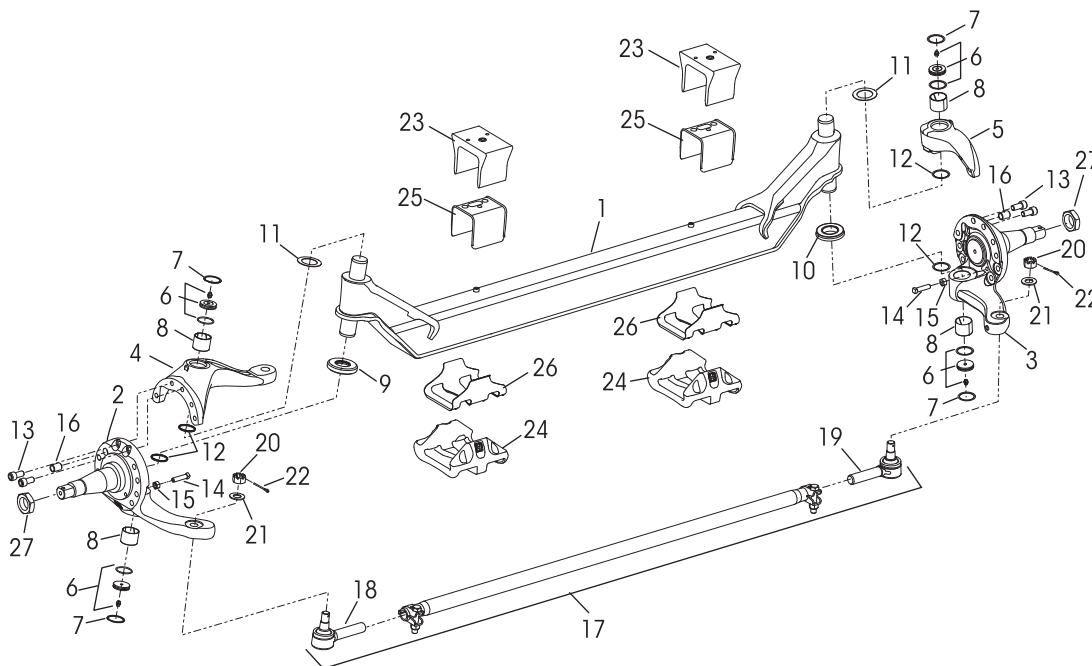


Built prior to 08/2011

ProStar 12K • 12.35K • 13.2K • 14K • 14.6K Capacity
 TranStar 12K • 13K • 14K Capacity
 LoneStar 12.35K • 13.2K • 14K • 14.6K Capacity
 9200/9400/8600 12K Capacity



PARTS LISTS



KEY NO.	PART NO.	DESCRIPTION	VEHICLE QTY.
	70952-XXX	STEERTEK Axle Assembly , Includes Key Nos. 1-13, 16-27, <i>See Selection Guide on Page 213</i>	1
1		Axle & Kingpin Assembly	1
	64905-001	LoneStar • TranStar • 9200 / 9400 Models -12K	
	64905-002	ProStar Model -12K, 12.35K	
	64905-005	TranStar Model -13K, 14K	
	64905-006	ProStar • LoneStar Models -13.2K, 14K, 14.6K	
		Lower Steering Knuckle Assembly, Includes Key Nos. 8, 12, 16, <i>See Selection Guide on Page 213</i>	
2		Left Hand	1
3		Right Hand	1
		Upper Steering Knuckle Assembly, Includes Key Nos. 8, 12	
4		Left Hand, <i>See Selection Guide on Page 213</i>	1
5	60904-034	Right Hand	1
		Kingpin Bushing and Bearing Service Kits	
	60961-040	Axle Set , Includes Kit Nos. 60961-009 & -039	
	60961-009	Left Hand with Composite Thrust Bearing , Includes Key Nos. 6-9, 11-13, Loctite	
	60961-039	Right Hand with Roller Thrust Bearing , Includes Key Nos. 6-8, 10-13, Loctite	
6	59156-000	Grease Cap Assembly	4
7	58937-000	Retaining Ring	4
8	58909-000	Kingpin Bushing	4
		Thrust Bearing Service Kits	
	60961-043	Axle Set , Includes Kit Nos. 60961-041 & -042	
	60961-041	Left Hand Composite Thrust Bearing , Includes Key Nos. 9, 11-13, Loctite	
	60961-042	Right Hand Roller Thrust Bearing , Includes Key Nos. 10-13, Loctite	
9	59828-000	*Left Hand Composite Thrust Bearing	1

KEY NO.	PART NO.	DESCRIPTION	VEHICLE QTY.
10	64256-000L	*Right Hand Roller Thrust Bearing	1
11		Kingpin Shim	As Req.
	60259-001X	0.005" Thickness (Pack of 4)	
	60259-002	0.047" Thickness	
12	58910-001	Kingpin Seal, <i>Replaces 58910-000</i>	4
13	60236-001	5/8"-11 UNC Socket Head Cap Screw	4
Not Shown	60937-000	Loctite® (Red) Compound Tube	1
	60961-069	Stop Bolt Service Kit, One Side , Includes Key Nos. 14-15	
14	60238-001	1/2"-13 UNC Square Head Bolt	2
15	60240-000	1/2"-13 UNC Hex Jam Nut	2
16	64246-000	ABS Sensor Sleeve	2
17		Tie Rod Assembly, Includes Key Nos. 18-20 <i>See Selection Guide on Page 133</i>	1
		Tie Rod End Service Kits , <i>See Selection Guide on Page 133</i>	
		Axle Set , Includes Left Hand & Right Hand Kits	
		Left Hand , Includes Key Nos. 18, 20-22	
		Right Hand , Includes Key Nos. 19-22	
		Tie Rod End, Includes Key No. 20, <i>See Selection Guide on Page 133</i>	
18		Left Hand	1
19		Right Hand	1
20		**7/8" Castle Nut	2
21	22962-007	7/8" Flat Washer	2
22	17800-004	Tie Rod Nut Cotter Pin	2
23		Top Axle Wrap, <i>See Selection Guide on Page 213</i>	2
24	64722-003	Bottom Axle Wrap	2
25	65757-000	Top Axle Wrap Liner	2
26	59845-000	Bottom Axle Wrap Liner	2
27	64578-000	1 1/2"-12 UNF Spindle Nut	2

NOTES: * Effective January 2019, vehicles equipped with Hendrickson STEERTEK axle will be installed with a left hand composite bearing and a right hand roller bearing configuration to replace the previous roller/roller bearing configuration for production and aftermarket.

** Item included in kit/assembly only, part not sold separately.



■ Vehicles built with STEERTEK axle prior to 1, 2011 Selection Guide

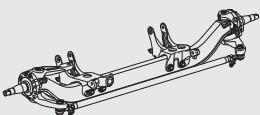
	Capacity	Wheel Base	KPI	Part Number						
				STEERTEK Axle Assembly	Lower Steering Knuckle Assembly		Upper Steering Knuckle Assembly Left Hand Key No. 4	Top Axle Wrap Key No. 23		
					Left Hand Key No. 2	Right Hand Key No. 3				
LT SERIES • PROSTAR	12K	< 200"	69.0"	70952-351	58900-075	58900-076	60903-042	59952-032		
		> 200"		70952-352	58900-073	58900-074				
	12.35K	< 200"		70952-353	58900-075	58900-076				
		> 200"		70952-354	58900-073	58900-074				
	13.2K	< 200"	70.9"	70952-355	58900-075	58900-076				
		> 200"		70952-356	58900-073	58900-074				
		< 200"	69.0"	70952-357	58900-075	58900-076				
	> 200"	70952-358		58900-073	58900-074					
	14K	< 200"		70952-359	58900-075	58900-076				
		> 200"		70952-390	58900-073	58900-074				
	14.6K	< 200"	69.0"	70952-391	58900-075	58900-076				
		> 200"		70952-392	58900-073	58900-074				
RH SERIES/8600 • TRANSTAR	12K	< 200"	70.9"	70952-281	58900-075	58900-076	60903-044	59952-023		
		> 200"		70952-280	58900-073	58900-074		59952-032		
		< 200"		70952-335	58900-093	58900-094				
		> 200"		70952-336	58900-091	58900-092				
	13K	< 200"	69.0"	70952-339	58900-093	58900-094	60903-061	59952-032		
		> 200"		70.9"	70952-341	58900-093		58900-094	59952-023	
		< 200"			70952-342	58900-091		58900-092		
		> 200"			70952-343	58900-093		58900-094	59952-032	
		< 200"	69.0"		70952-344	58900-091	58900-092	60903-056		
		> 200"		70952-346	58900-091	58900-092				
		14K		< 200"	70952-347	58900-093	58900-094		60903-061	59952-023
				> 200"	70952-348	58900-091	58900-092			59952-032
> 200"										
LS SERIES • LONESTAR	12.35K	< 200"	70.9"	70952-310	58900-075	58900-076	60903-056	59952-023		
		> 200"		70952-311	58900-073	58900-074		59952-034		
	13.2K	< 200"		70952-393	58900-075	58900-076				
		> 200"		70952-394	58900-073	58900-074				
		< 200"	69.0"	70952-395	58900-075	58900-076		59952-023		
		> 200"		70952-396	58900-073	58900-074				
	14K	< 200"	70.9"	70952-397	58900-075	58900-076		59952-034		
		> 200"		70952-398	58900-073	58900-074				
		< 200"	69.0"	70952-399	58900-075	58900-076				
		> 200"		70952-400	58900-073	58900-074			59952-023	
	14.6K	< 200"	70952-401	58900-075	58900-076					
		> 200"	70952-402	58900-073	58900-074					
9200/9400	12K	< 200"	70.9"	70952-279	58900-075	58900-076	60903-042	59952-023		
		> 200"		70952-278	58900-073	58900-074				

PARTS LISTS

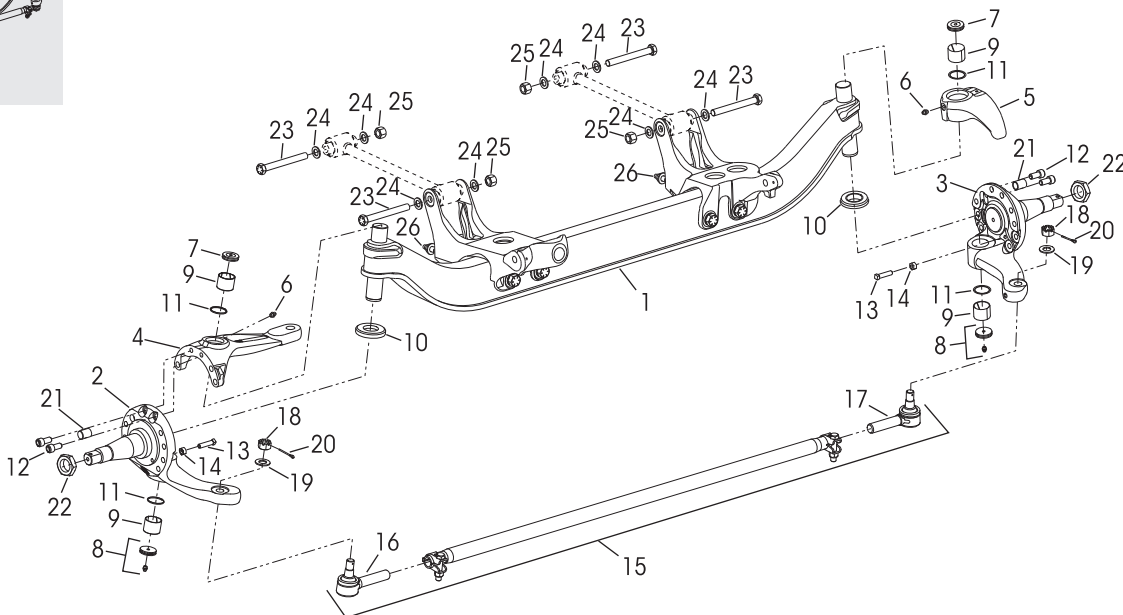


MaxxPower™

Built after December 2012



PARTS LISTS



KEY NO.	PART NO.	DESCRIPTION	VEHICLE QTY.
		STEERTEK NXT Axle Assembly, Includes Key Nos. 1-26, <i>see Table 1 below</i>	1
1	68906-001	**Axle & Bracket Assembly	1
		Lower Steering Knuckle Assembly	
2		Left Hand, <i>see Table 1 below</i>	1
3		Right Hand, <i>see Table 1 below</i>	1
		Upper Steering Knuckle Assembly	
4		Left Hand, <i>see Table 1 below</i>	1
5		Right Hand, <i>see Table 1 below</i>	1
	60961-630	Kingpin Bushing and Roller Thrust Bearing Service Kit, One Side, Includes Key Nos. 6-12 & Loctite	2
6	33117-000	Grease Fitting	2
7	68687-003	Grease Cap Assembly, Upper	2
8	68687-002	Grease Cap Assembly, Lower	2
9	58909-001	Kingpin Bushing	4
10	64256-000L	Roller Thrust Bearing	2
11	68731-000	Kingpin Seal	4
12	60236-001	5/8"-11 UNC Socket Head Cap Screw	4
Not Shown	60937-000	Loctite® (Red) Compound Tube	1
	60961-069	Stop Bolt Service Kit, One Side, Includes Key Nos. 13-14	

KEY NO.	PART NO.	DESCRIPTION	VEHICLE QTY.
13	60238-001	1/2"-13 UNC Square Head Bolt	2
14	60240-000	1/2"-13 UNC Hex Jam Nut	2
15		Tie Rod Assembly, Includes Key Nos. 16-18 <i>See Table 1 below</i>	1
		Tie Rod End Service Kits	
	60961-734	Axle Set, Includes Kit Nos. 60961-736 & -741	
	60961-736	Left Hand Includes Key Nos. 16, 18-20	
	60961-741	Right Hand Includes Key Nos. 17-20	
16	70995-001	Left Hand Tie Rod End	1
17	70995-002	Right Hand Tie Rod End	1
18		*7/8" Castle Nut	2
19	22962-007	7/8" Flat Washer	2
20	17800-004	Tie Rod Nut Cotter Pin	2
21	64246-000	ABS Sensor Sleeve	2
22	64578-000	1 1/2"-12 UNF Inner Wheel Bearing Adjusting Nut	2
23	50764-018	3/4"-10 UNC-2A Hex Bolt	4
24	22962-044	3/4" Flat Washer	8
25	68596-000	3/4"-10 UNC-2B Nut	4
26	69921-014	Stabilizer Connection Aftermarket Service Kit, One Side, Includes 5/8" Studs, Washers & Locknuts	

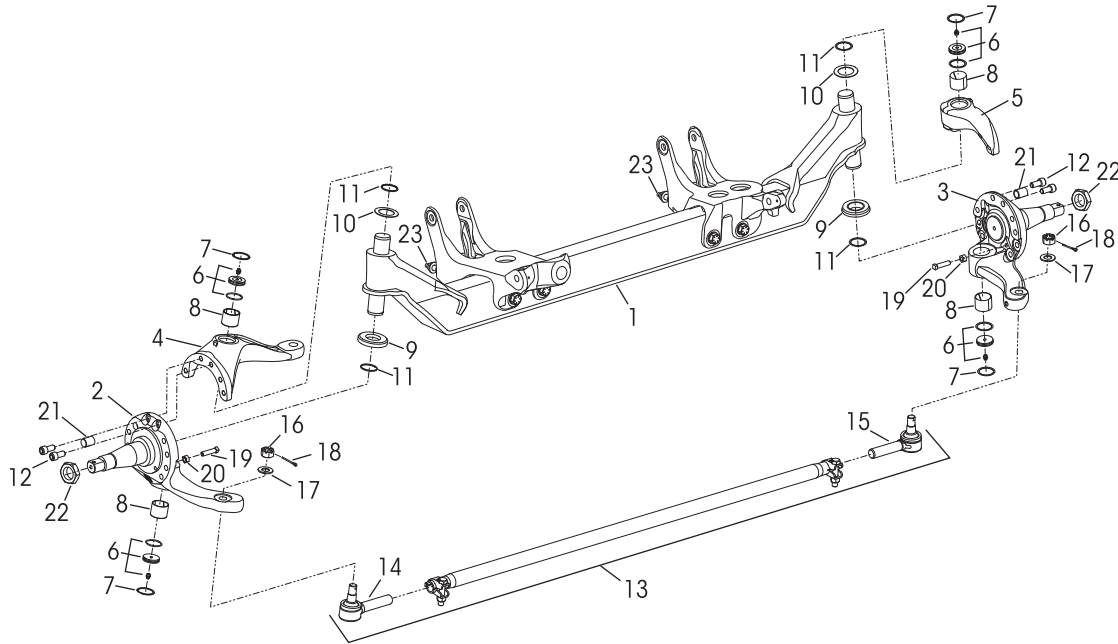
TABLE 1

Capacity	Mounting Fasteners	Ackermann	STEERTEK NXT Assembly	Part Number					
				Lower Steering Knuckle Assembly		Upper Steering Knuckle Assembly		Tie Rod Assembly	
				Left Hand Key No. 2	Right Hand Key No. 3	Left Hand Key No. 4	Right Hand Key No. 5		Key No. 15
PROSTAR	12K	3/4"	>200"	68907-001	58900-473	58900-474	60903-463	60904-432	76877-002
			<200"	68907-002	58900-493	58900-494			76877-005
	5/8"	>200"	68907-005	58900-273	58900-274	60903-263	60904-232	76877-002	
		<200"	68907-006	58900-293	58900-294			76877-005	
12.35K	3/4"	>200"	68907-003	58900-473	58900-474	60903-463	60904-432	76877-002	
		<200"	68907-004	58900-493	58900-494			76877-005	
	5/8"	>200"	68907-007	58900-273	58900-274	60903-262	60904-232	76877-002	
		<200"	68907-008	58900-293	58900-294			76877-005	



MaxxPower™

Built prior to December 2012



PARTS LISTS

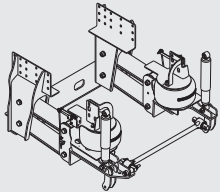
KEY NO.	PART NO.	DESCRIPTION	VEHICLE QTY.
1	66906-002	***Axle & Kingpin Assembly with Axle Brackets 12K., 4.25 Drop, 70.9 KPI, <i>Replaces 66906-001</i>	1
2	58900-075 58900-073	Left Hand Lower Steering Knuckle Assembly <200" Ackermann >200" Ackermann	1
3	58900-076 58900-074	Right Hand Lower Steering Knuckle Assembly <200" Ackermann >200" Ackermann	1
4	60903-042 60903-056	Left Hand Upper Steering Knuckle Assembly ProStar Vehicles LoneStar Vehicles	1
5	60904-034 60961-039	Right Hand Upper Steering Knuckle Assembly Kingpin Bushing with Roller Thrust Bearing Service Kit, One Side, Includes Key Nos. 6-12 & Loctite	1
	60961-042	Roller Thrust Bearing Service Kit, Includes Key Nos. 9-12 & Loctite	
6	59156-000	Grease Cap Assembly	4
7	58937-000	Retaining Ring	4
8	58909-000	Kingpin Bushing	4
9	64256-000L	Roller Thrust Bearing	2
10	Kingpin Shim		As Req.
	60259-001X	0.005" Thickness (Pack of 4)	
	60259-002	0.047" Thickness	
11	58910-001	Kingpin Seal, <i>Replaces 58910-000</i>	4

KEY NO.	PART NO.	DESCRIPTION	VEHICLE QTY.
12	60236-001	5/8"-11 UNC Socket Head Cap Screw	4
Not Shown	60937-000	Loctite (Red) Compound Tube	1
13		Tie Rod Assembly, Includes Key Nos. 14-16 12K, 4.25 Drop, 70.9 KPI, 8.35" Ride Height <200" Ackermann, <i>Replaces 60239-001</i> >200" Ackermann, <i>Replaces 60239-002</i>	1
	76877-001 76877-002		
		Tie Rod End Service Kits,	
	60961-734	Axle Set, Includes Kit Nos. 60961-736 & -741	
	60961-736	Left Hand, Includes Key Nos. 14, 16-18	
	60961-741	Right Hand, Includes Key Nos. 15-18	
14	70995-001	Left Hand Tie Rod End, <i>Replaces 64000-001</i>	1
15	70995-002	Right Hand Tie Rod End, <i>Replaces 64000-002</i>	1
16		*7/8" Castle Nut	2
17	22962-007	7/8" Flat Washer	2
18	17800-004 60961-069	Tie Rod Nut Cotter Pin Stop Bolt Service Kit, One Side, Includes Key Nos. 19-20	2
19	60238-001	1/2"-13 UNC Square Head Bolt	2
20	60240-000	1/2"-13 UNC Hex Jam Nut	2
21	64246-000	ABS Sensor Sleeve	2
22	64578-000	1 1/2"-12 UNF Inner Wheel Bearing Adjusting Nut	2
23	69921-014	Stabilizer Connection Aftermarket Service Kit, One Side, Includes 5/8" Studs, Washers & Locknuts	

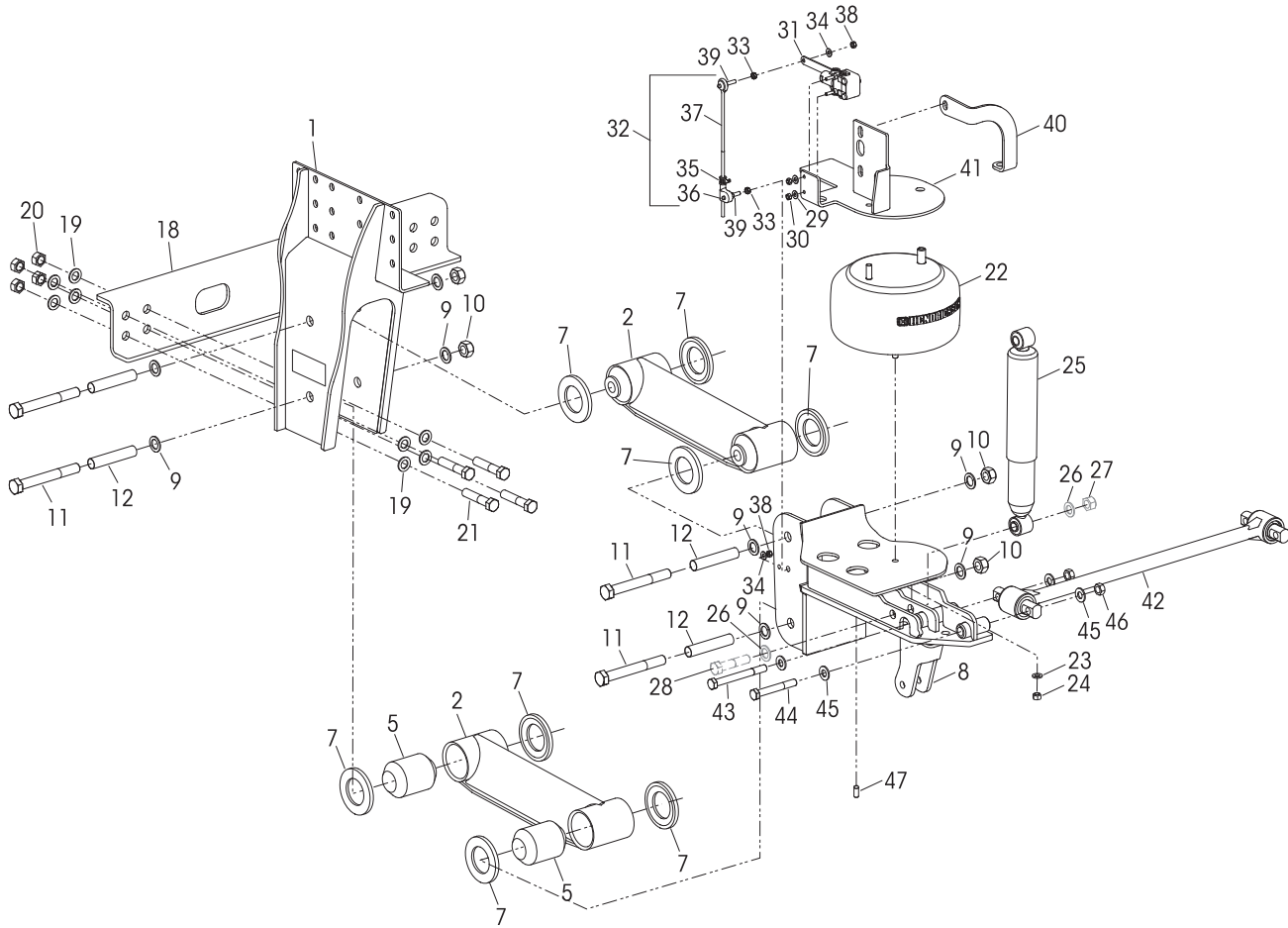
NOTES: * Item included in kit/assembly only, part not sold separately.

** Axle spring seats come assembled with the axle beam and are not serviceable.

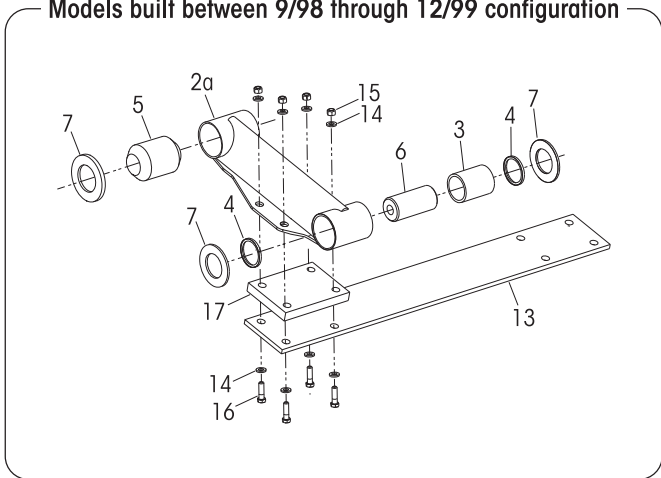
*** New air springs will be required when replacing the axle assembly, use International Truck's new air spring Part No. 3627997C2 (replaces Part No. 362797C1).



PARTS LISTS



Models built between 9/98 through 12/99 configuration





VEHICLE				VEHICLE			
KEY NO.	PART NO.	DESCRIPTION	QTY.	KEY NO.	PART NO.	DESCRIPTION	QTY.
1	59521-001	Left Hand Frame Hanger	1	17	59524-000	Spacer Plate TCFE/CSFE HDPE 9/98-12/99 (No Spacer Plate Needed for TCRC/CSRE, TSFE/C1FE, HDRE)	2
	59521-002	Right Hand Frame Hanger	1				
2	59536-000	Beam Assembly • Models with Transverse torque rod 1/00-current, Includes Key No. 5	4	18		Cross Member	1
2a	34013-108	Lower Beam Assembly Service Kit, One Side, • Models with transverse leaf 9/98-12/99 Replaces 59533-000, Includes Key Nos. 3-6			59538-000	• Models with transverse torque rod 1/00-current	
		Bushing Service Kit, Axle Set,			59540-000	• Models with transverse leaf 9/98-12/99	
	34013-105	• Models with transverse torque rod, 1/00-current, Includes Key Nos. 5,7		19	22962-001	3/4"-Hardened Flat Washer	16
	34013-100	• Models with transverse leaf, 9/98-12/99, Includes Key Nos. 3-7		20	49842-000	3/4"-10 UNC Locknut	8
3	59526-001	PTFE Bushing • Models with transverse leaf 9/98-12/99	2	21	50764-007	3/4"-10 UNC x 2 1/4" Bolt, Replaces 50764-011	8
4	59527-000	Rubber Seal • Models with transverse leaf 9/98-12/99	4			Air Spring Fastener Service Kit, Axle Set, Includes Key Nos. 22-24	
5	59528-001	Beam Bushing • Models with transverse torque rod, 1/00-current 8 • Models with transverse leaf 9/98-12/99 6	8		49177-007	Blue Bird TCRC/CSRE, TCFE/CSFE/HDRE, HDFE, QBRE/C4RE	
6	59498-001	Inner Metal • Models with transverse leaf 9/98-12/99	2		49177-008	Blue Bird TSFE/C1FE (Flat Floor)	
7	59803-000	Thrust Washer	16	22		Air Spring	2
8		***Axle Seat			59484-002L	Blue Bird TCRC/CSRE, TCFE/CSFE/HDRE, HDFE, QBRE/C4RE	
		• Left Hand	1		59601-002L	TSFE/C1FE (Flat Floor)	
	64207-001	Blue Bird TCFE with Standard Floor/CSFE, HDRE Replaces 60310-001 & 59491-001		23	22962-014	1/2"-Hardened Flat Washer	2
	64208-001	Blue Bird TSFE/C1FE, TCFE with Flat Floor		24	17700-010	1/2"-13 UNC Nylocknut	2
	64209-001	Blue Bird HDFE, Replaces 60212-001 & 59503-001		25		Shock Absorber	2
	64210-001	Blue Bird C4RE			60665-005L	• 9/98-11/01, Replaces 59483-000	
		• Right Hand	1		60998-002L	• 11/01-current	
	64207-002	Blue Bird TCFE with Standard Floor/CSFE, HDRE Replaces 59491-002		26		*Washer	4
	64208-002	Blue Bird TSFE/C1FE, TCFE with Flat Floor		27		*Locknut	2
	64209-002	Blue Bird HDFE, Replaces 59503-002		28		*Bolt	2
	64210-002	Blue Bird C4RE			59013-000	Height Control Valve Service Kit, One Side, Includes Key Nos. 29-31	
		***Axle Seat Service Kit, Axle Set,		29	22962-028	1/4"-Hardened Washer	4
	64412-001	Replaces 60303-001, 59515-002, & 59515-001, (Blue Bird TSFE/C1FE, TCFE with Flat Floor)		30	49983-000	1/4"-20 UNC Locknut	4
	64412-002	Replaces 60320-001, 59509-002, & 59509-001 (Blue Bird TCRC/CSRE, & QBRE)		31	60501-000	Height Control Valve	2
	59568-001	Pivot Bolt Kit, Axle Set, Includes Key Nos. 9-12		32	58994-010L	Height Control Valve Linkage Assembly, Includes Key Nos. 33-39	2
9	22962-002	7/8" Hardened Flat Washer	16	33		**5/16"-18 UNC Nut	
10	60266-000	7/8"-9 UNC Locknut, Replaces 50106-000	8	34		**5/16"-Hardened Washer	
11	59563-001	7/8"-9 UNC x 7 1/2" Pivot Bolt	8	35		**Valve Arm Clamp	
12	59504-000	Plastic Liner	8	36		**Adjustment Valve Arm Joint	
13	60206-001	Transverse Leaf 9/98-12/99, Replaces 59485-000	1	37		**Extension Rod	
14	22962-001	3/4"-Hardened Flat Washer 9/98-12/99	16	38		**5/16"-18 UNC Locknut	
15	49842-000	3/4"-10 UNC Locknut 9/98-12/99	8	39		**5/16"-18 UNC Stud	
16		3/4"-10 UNC Bolt 9/98-12/99	8		59553-000	Air Spring Bracket Service Kit, Axle Set Includes Key Nos. 40-41	
a	50764-007	2 1/4"-Blue Bird TCRC/CSRE, TSFE/C1FE, HDRE Replaces 50764-011		40	59479-003	Left Hand Air Spring Reinforcement Bracket	1
b	50764-005	3"-Blue Bird TCFE/CSFE			59479-004	Right Hand Air Spring Reinforcement Bracket	1
c	50764-010	4 1/4"-Blue Bird HDFE		41	59482-001	Left Hand Upper Air Spring Hanger	1
					59482-002	Right Hand Upper Air Spring Hanger	1
				42	62000-745	Transverse Torque Rod • 1/00-current, Replaces 32271-117	2
					49176-010	Transverse Rod Fastener Service Kit • 1/00-current, Includes Key Nos. 43-46	
				43	32043-007	5/8"-11 UNC x 7" Hex Bolt	1
				44	32043-019	5/8"-11 UNC x 5 1/2" Hex Bolt	1
				45	22962-004	5/8"-Hardened Washer	4
				46	47764-000	5/8"-11 UNC Locknut	2
				47	59537-001	Dowel Pin	2

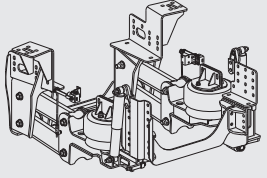
NOTES: * Not supplied by Hendrickson, used for reference only. Hendrickson is not responsible for components supplied by the vehicle manufacturer. For assistance with maintenance and rebuild instructions on these components see vehicle manufacturer.

** Item included in kit/assembly only, part not sold separately.

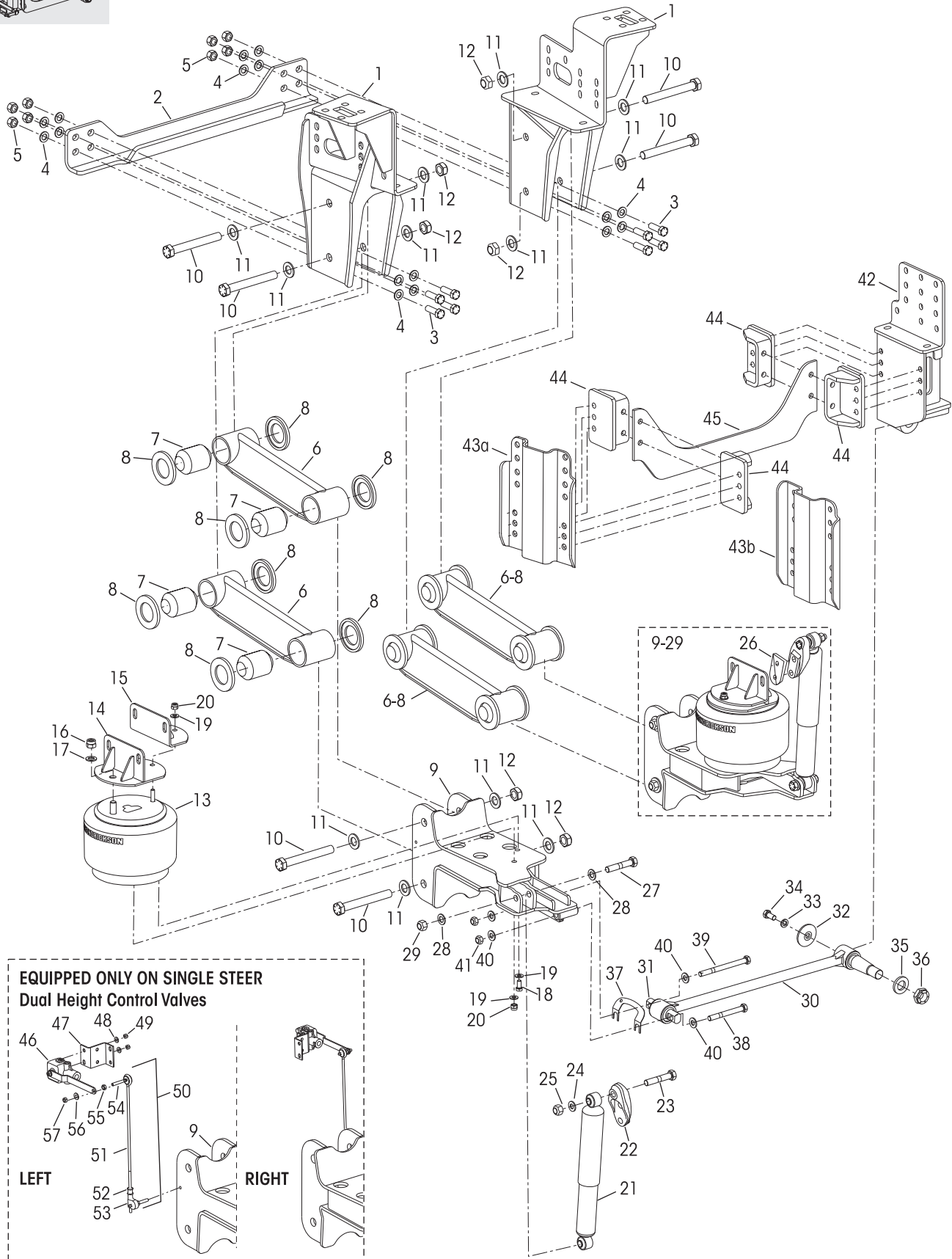
*** The following axle seat part numbers must be replaced in pairs with the appropriate axle seat service kit:
59515-001, 59515-002, 60303-001 replaced by 64412-001 and 59509-001, 59509-002, 60320-001 replaced by 64412-002.



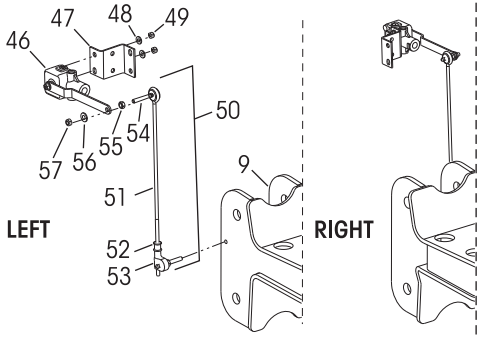
Twin Steer Forward Front and Single Steer



PARTS LISTS



EQUIPPED ONLY ON SINGLE STEER
Dual Height Control Valves





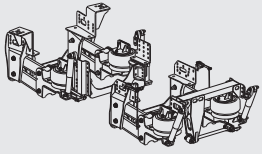
KEY NO.	PART NO.	DESCRIPTION	VEHICLE QTY.	KEY NO.	PART NO.	DESCRIPTION	VEHICLE QTY.
1		Frame Hanger – Front		30	62350-760	Torque Rod Assembly, Includes Key Nos. 31-36	1
	68048-001	Left Hand	1	31		*Torque Rod Bushings	
	68048-002	Right Hand	1	32		*End Washer	
2	68050-000	Cross Member	1	33		*5/8" Lock Washer	
3	50764-007	3/4"-10 UNC x 2 1/2" Bolt	8	34		*5/6"-11 UNC x 1 1/4" Bolt	
4	22962-001	3/4" Washer	16	35		*1 1/4" Washer	
5	49842-000	3/4"-10 UNC Locknut	8	36		*1 1/4"-12 UNF Locknut	
6	59536-000	Beam Assembly, Includes Key No. 7	4	37	68387-000	Torque Rod Shim	As Req.
7	59528-001	Beam Bushing	8	38	32043-019	5/6"-11 UNC x 5 1/2" Hex Bolt	1
8	59803-000	Thrust Washer	16	39	32043-026	5/6"-11 UNC x 7 1/2" Hex Bolt	1
9		Axle Seat – Front		40	22962-004	3/4"-Hardened Washer	4
	68036-000	Left Hand	1	41	47764-000	5/6"-11 UNC Locknut	2
	68038-002	Right Hand	1	42		Transverse Torque Rod Bracket For vehicles built after 04/09	1
10	48941-002	1"-8 UNC x 8" Bolt	8		68667-000		
11	22962-008	1" Hardened Flat Washer	16	43		Cross Channel Frame Mounting Bracket	1
12	48942-000	1"-8 UNC Locknut	8	a	68639-000	For vehicles built after 04/09	
13	67793-002	Air Spring	2	b	68117-000	For vehicles built prior to 04/09	
14	67751-000	Outer Air Spring Mounting Bracket	2	44	68118-000	Cross Channel Bracket	4
15	67752-000	Inner Air Spring Mounting Bracket	2	45	68119-000	Cross Channel Plate	1
16	17700-015	3/4"-16 UNF Locknut	2	46	57977-000	Height Control Valve Assembly Includes Key Nos. 47-49	2
17	22962-001	3/4" Washer	2	47		*HCV Mounting Bracket	
18	24531-011	1/2"-13 UNC x 1" Bolt	2	48		*1/4"-Hardened Washer	
19	22962-011	1/2"-Hardened Flat Washer	6	49		*1/4"-20 UNC Locknut	
20	17700-010	1/2"-13 UNC Nylocknut	4	50	58994-010L	Height Control Valve Linkage Assembly, Includes Key Nos. 51-57	2
21	60665-005L	Shock Absorber	2	51		*Extension Rod	
22	67463-001	Upper Shock Bracket	2	52		*Adjustment Valve Arm Joint	
23	50764-010	3/4"-10 UNC x 4 1/4" Bolt	2	53		*Valve Arm Clamp	
24	22962-001	3/4"-Hardened Flat Washer	2	54		*5/16"-18 UNC Valve Arm Stud	
25	49842-000	3/4"-10 UNC Locknut	2	55		*5/16"-18 UNC Locknut	
26	68623-000	Shock Bracket Spacer	1	56		*5/16"-Hardened Washer	
27	50764-010	3/4"-10 UNC x 4 1/4" Bolt	2	57		*5/16"-18 UNC Locknut	
28	22962-001	3/4"-Hardened Flat Washer	4				
29	49842-000	3/4"-10 UNC Locknut	2				

NOTE: * Item included in kit/assembly only, part not sold separately.

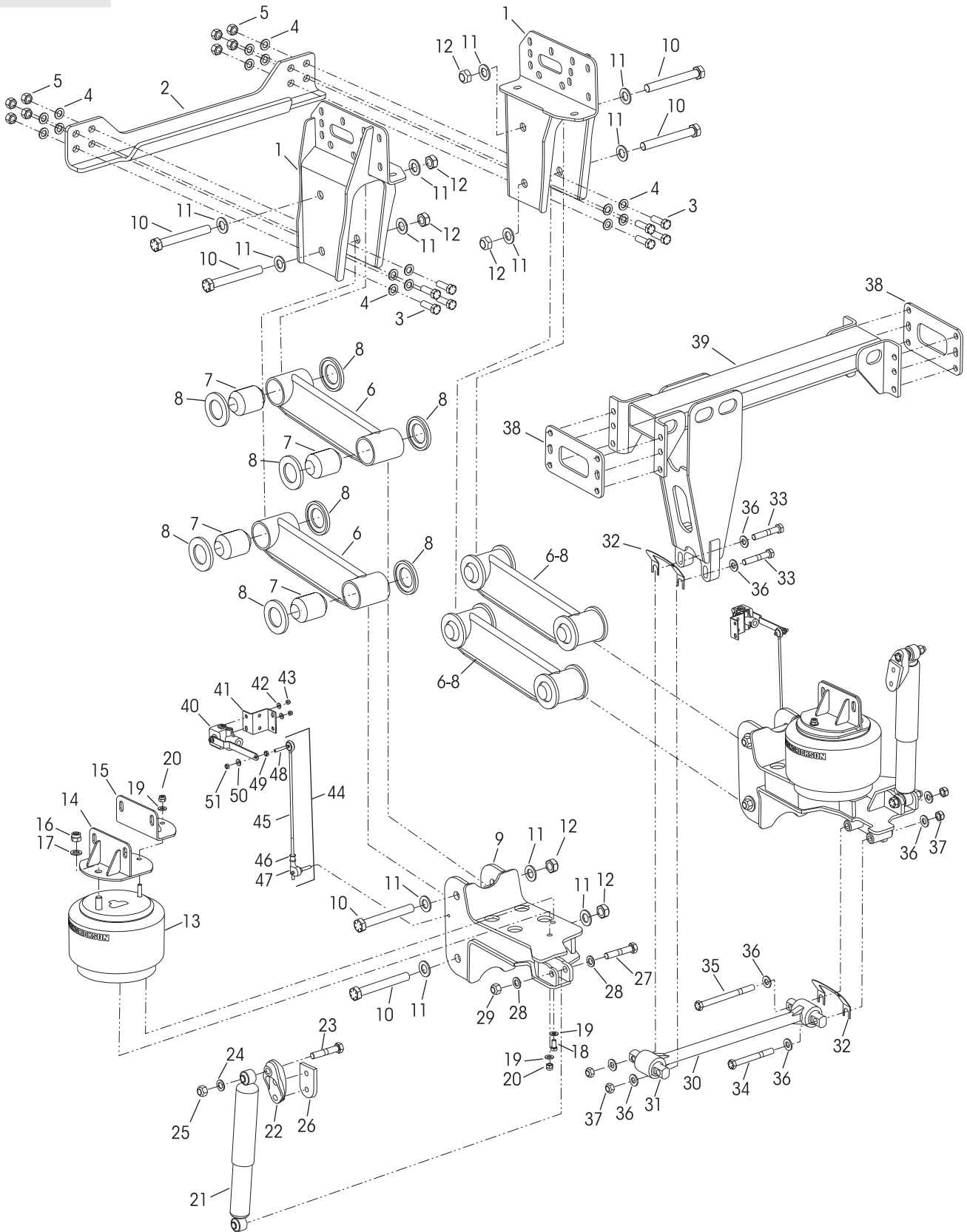
PARTS LISTS



Twin Steer Forward Rear



PARTS LISTS

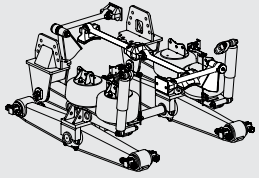




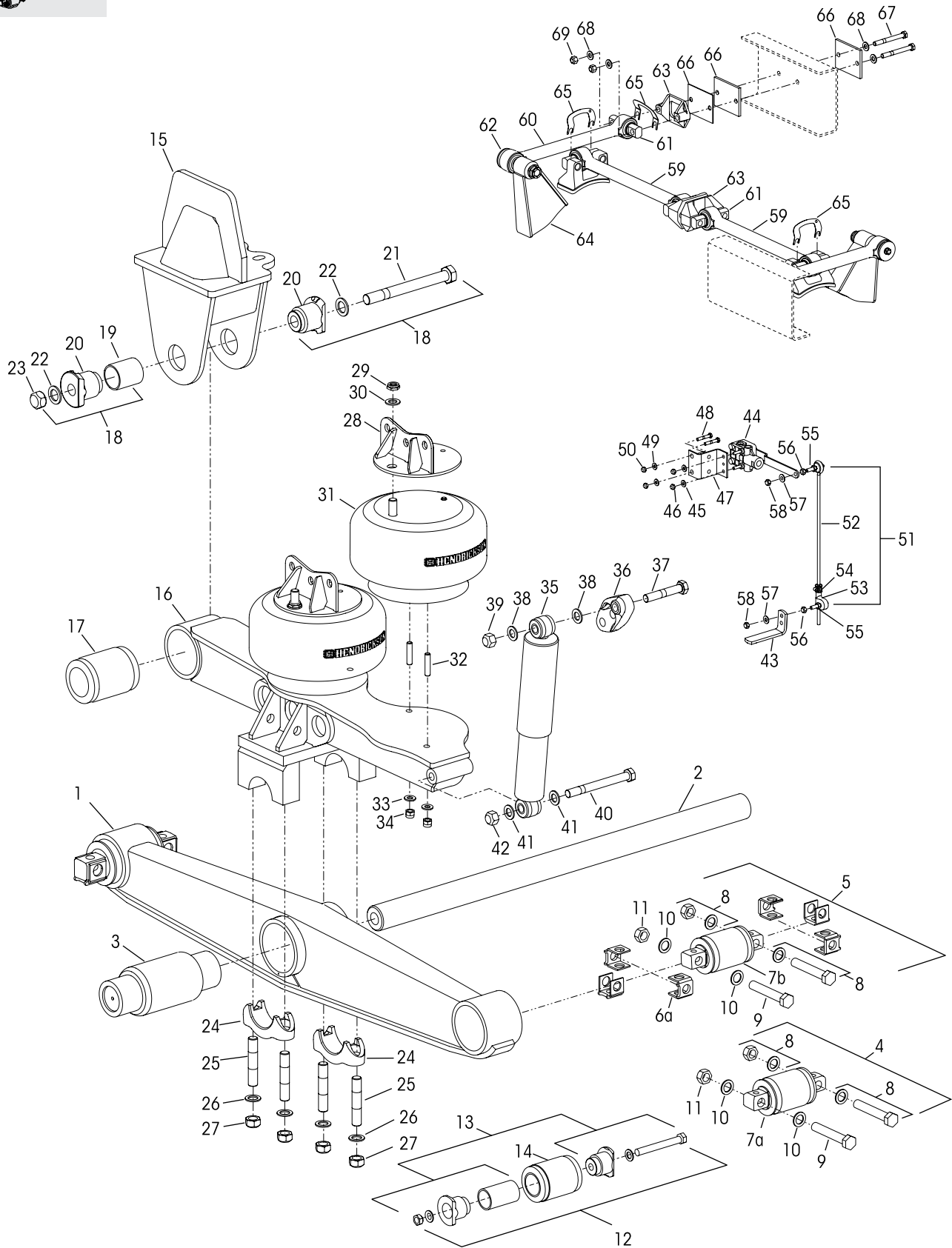
KEY NO.	PART NO.	DESCRIPTION	VEHICLE QTY.	KEY NO.	PART NO.	DESCRIPTION	VEHICLE QTY.
1		Frame Hanger – Rear		26	68623-000	Shock Bracket Spacer	2
	68047-001	Left Hand	1	27	50764-010	¾"-10 UNC x 4¼" Bolt	2
	68047-002	Right Hand	1	28	22962-001	¾"-Hardened Flat Washer	4
2	68051-000	Cross Member	2	29	49842-000	¾"-10 UNC Locknut	2
3	50764-007	¾"-10 UNC x 2½" Bolt	8	30	62000-565	Torque Rod Assembly, Includes Key No. 31	1
4	22962-001	¾" Washer	16	31		*Torque Rod Bushing	
5	49842-000	¾"-10 UNC Locknut	8	32	68387-000	Torque Rod Shim	As Req.
6	59536-000	Beam Assembly, Includes Key No. 7	4	33	32043-009	⅝"-11 UNC x 3½" Hex Bolt	2
7	59528-001	Beam Bushing	8	34	32043-019	⅝"-11 UNC x 5½" Hex Bolt	1
8	59803-000	Thrust Washer	16	35	32043-026	⅝"-11 UNC x 7½" Hex Bolt	1
9		Axle Seat – Rear		36	22962-004	⅝"-Hardened Washer	8
	68038-001	Left Hand	1	37	47764-000	⅝"-11 UNC Locknut	4
	68037-000	Right Hand	1	38	68120-000	Cross Tube Frame Bracket	2
10	48941-002	1"-8 UNC x 8" Bolt	8	39	68184-000	Cross Tube Assembly	1
11	22962-008	1" Hardened Flat Washer	16	40	57977-000	Height Control Valve Assembly	2
12	48942-000	1"-8 UNC Locknut	8			Includes Key Nos. 41-43	
13	67793-002	Air Spring	2	41		*HCV Mounting Bracket	
14	67751-000	Outer Air Spring Mounting Bracket	2	42		*¼"-Hardened Washer	
15	67752-000	Inner Air Spring Mounting Bracket	2	43		*¼"-20 UNC Locknut	
16	17700-015	¾"-16 UNF Locknut	2	44	58994-002	Height Control Valve Linkage Assembly,	2
17	22962-001	¾" Washer	2			Includes Key Nos. 45-51	
18	24531-011	½"-13 UNC x 1" Bolt	2	45		*Extension Rod	
19	22962-011	½"-Hardened Flat Washer	6	46		*Adjustment Valve Arm Joint	
20	17700-010	½"-13 UNC Nylocknut	4	47		*Valve Arm Clamp	
21	60665-005L	Shock Absorber	2	48		*⅝"-18 UNC Valve Arm Stud	
22	67463-001	Upper Shock Bracket	2	49		*⅝"-18 UNC Locknut	
23	50764-010	¾"-10 UNC x 4¼" Bolt	2	50		*⅝"-Hardened Washer	
24	22962-001	¾"-Hardened Flat Washer	2	51		*⅝"-18 UNC Locknut	
25	49842-000	¾"-10 UNC Locknut	2				

NOTE: * Item included in kit/assembly only, part not sold separately.

PARTS LISTS



PARTS LISTS





VEHICLE				VEHICLE			
KEY NO.	PART NO.	DESCRIPTION	QTY.	KEY NO.	PART NO.	DESCRIPTION	QTY.
1		Equalizing Beam Assembly <i>See Selection Guide 45745-147</i>	2	23	08017-000	1"-14 UNS Locknut	2
2	44643-009L	Cross Tube 44 ⁷ / ₈ ", (If converted from RT•RTE suspension, refer to Lit. No. SP-168 Parts List)	1	24	58795-000	Saddle Cap	4
3		Rubber Center Bushing <i>See Table 1 on Page 224</i>	2	25	06696-000	7 ⁸ / ₁₆ "-14 UNF Saddle Cap Stud	8
	49400-000L	40K Welded End Plug		26	22962-002	7 ⁸ / ₁₆ " Hardened Washer	8
	49600-000L	40K with Loose End Plug		27	04842-000	7 ⁸ / ₁₆ "-14 UNF Locknut	8
	29483-005L	46K Welded End Plug		28		Air Spring Bracket	
	34013-097L	46K with Loose End Plug			65426-000	Forward	2
		Bar Pin End Bushing Service Kit, One Wheel End			65680-000	Rear	2
4	34013-087L	Non-Shim Type, Includes Key No. 7a, 8			49177-018	Single Upper Air Spring Fasteners Service Kit, Includes Key Nos. 29-30	
5	34013-088L	Shim Type, Includes Key Nos. 6a, 7b, 8		29	17700-031	3 ⁴ / ₁₆ "-16 UNF Nylocknut	4
	34013-188L	Rotating Bar Pin (Not Shown), Shim Type, Includes Key Nos. 6a, 7c, 8		30	22962-001	3 ⁴ / ₁₆ " Hardened Washer	4
6		Bar Pin Shim	8			Single Air Spring and Lower Fasteners Service Kit	
a	50131-000	0.25" / 0.12" Standard			34013-328	Forward , Includes Key Nos. 31a -34	
b	50130-000	0.19" / 0.19" Optional			34013-329	Rear , Includes Key Nos. 31b -34	
c	57026-000	0.375" flat shim		31		Air Spring	
7		*Bar Pin End Bushing	4	a	65455-002L	Forward	2
a		Non-Shim Type		b	65652-002L	Rear	2
b		Shim Type		32	65999-000	1 ² / ₂ "-13 UNC x 2 ¹ / ₄ " Stud, <i>Replaces 65454-000</i>	8
c		Rotating Bar Pin, Shim Type (Not Shown)		33	22962-031	1 ² / ₂ " Hardened Washer, <i>Replaces 22962-011</i>	8
8	34013-104	Bar Pin End Bushing Fastener Kit, One Wheel End , Includes Key Nos. 9-11		34	17700-010	1 ² / ₂ "-13 UNC Nylocknut	8
9		*1"-8 UNC x 6" Hex Bolt	8	35	60665-012L	Shock Absorber	2
10		*1" Hardened Washer	16		50754-013	Single Upper Shock Bracket and Fastener Service Kit , Includes Key Nos. 36-39	
11		*1"-8 UNC Locknut	8	36	67463-001	Shock Bracket, <i>Replaces 65000-001</i>	2
12		End Bushing and Adapter Style Service Kit, One Wheel End		37	50764-010	3 ⁴ / ₁₆ "-10 UNC x 4 ³ / ₄ " Bolt	2
	34013-049L	40K, Includes Key Nos. 13a, 14		38	22962-001	3 ⁴ / ₁₆ " Hardened Washer	4
	34013-073L	46K, Includes Key Nos. 13b, 14		39	49842-000	3 ⁴ / ₁₆ "-10 UNC Locknut	2
13		Adapter Style Fastener Service Kit, One Wheel End		40	50764-013	3 ⁴ / ₁₆ "-10 UNC x 7 ¹ / ₂ " Bolt	2
a	45000-007L	40K		41	22962-001	3 ⁴ / ₁₆ " Hardened Washer	4
b	21140-034L	46K		42	49842-000	3 ⁴ / ₁₆ "-10 UNC Locknut	2
14	45900-000L	Rubber End Bushing	4	43	65427-000	Lower Height Control Valve Bracket	2
15		LH Frame Hanger Assembly - Blank	1		57977-000	Height Control Valve Assembly, Includes Key Nos. 44-47	2
	65461-001	33.94-34.19" Frame Width		44	60501-000	Height Control Valve	2
	65461-003	34.25-34.50" Frame Width		45		*1 ¹ / ₄ " Hardened Washer	4
	65461-005	34.56-34.81" Frame Width		46		*1 ¹ / ₄ "-20 UNC Locknut	4
		RH Frame Hanger Assembly - Blank (Not Shown)	1	47		*Height Control Valve Bracket	2
	65461-002	33.94-34.19" Frame Width			57430-004	Height Control Valve Bracket Fastener Service Kit , Includes Key Nos. 48-50	
	65461-004	34.25-34.50" Frame Width		48	58035-004	3 ⁸ / ₁₆ "-16 UNC x 1 ¹ / ₄ " Bolt	4
	65461-006	34.56-34.81" Frame Width		49	22962-015	3 ⁸ / ₁₆ " Hardened Washer	4
16		Trailing Arm Assembly, Includes Key Nos. 17, 24-27		50	17700-006	3 ⁸ / ₁₆ "-16 UNC Nylocknut	4
		• Left Hand	1	51	58994-001	Height Control Valve Linkage Assembly Includes Key Nos. 52-58	2
	65655-001	40K - 9 ¹ / ₂ "		52		*Linkage Extension Rod	2
	65655-003	40K - 10 ¹ / ₂ "		53		*Adj. Valve Arm Joint	2
	65655-005	46K - 9 ¹ / ₂ "		54		*Valve Arm Clamp	2
	65655-007	46K - 10 ¹ / ₂ "		55		*5 ⁵ / ₁₆ "-18 UNC Stud	4
		• Right Hand	1	56		*5 ⁵ / ₁₆ "-18 UNC Jam Nut	4
	65655-002	40K - 9 ¹ / ₂ "		57		*5 ⁵ / ₁₆ " Hardened Washer	4
	65655-004	40K - 10 ¹ / ₂ "		58		*5 ⁵ / ₁₆ "-18 UNC Locknut	4
	65655-006	46K - 9 ¹ / ₂ "		59		**One-piece ULTRA ROD® PLUS™ Longitudinal Torque Rod Assembly Straddle/Straddle, Specify Length in mm, Includes Key No. 61a	
	65655-008	46K - 10 ¹ / ₂ "			72000-XXX	Front	1
		Trailing Arm Bushing Service Kit, One Beam End , Includes Key Nos. 17-18			72001-XXX	Rear	1
	34013-111L	40K		60		***One-piece Transverse Torque Rod Assembly Straddle/Taper, Specify Length in mm	2
	34013-112L	46K			72350-XXX	ULTRA ROD PLUS, Includes Key Nos. 61a-62a	
17		Trailing Arm Bushing	2		92350-XXX	XTRB, Includes Key Nos. 61b-62b	
	45900-000L	40K		61		Straddle Bushing	6
	29878-001L	46K		a	64400-002L	ULTRA ROD PLUS	
18	21140-053L	AR2 Adapter Assembly, Includes Key Nos. 19-23	2	b	66649-002L	XTRB	
19	45289-003	Adapter Tube	2				
20	45871-000	Trailing Arm Adapter	4				
21	30550-005	1"-14 UNS x 9 ³ / ₄ " Bolt	2				
22	22962-008	1" Hardened Washer	4				



KEY NO.	PART NO.	DESCRIPTION	VEHICLE QTY.	KEY NO.	PART NO.	DESCRIPTION	VEHICLE QTY.
62		Taper Bushing	2	65	49689-000L	Torque Rod Shim (As Required)	
a	64400-004L	ULTRA ROD PLUS		66		Torque Rod Back-up Plate	As Req.
b	66649-004L	XTRB			45045-001	1/8" Thickness	
		**Two-Piece Torque Rod Assembly with Bushings Service Kit			45045-002	1/4" Thickness	
	65781-000	ULTRA ROD PLUS Straddle/Taper			45045-003	3/8" Thickness	
	65781-001	XTRB Straddle/Straddle		67	32043-019	5/8"-11 UNC x 5 1/2" Bolt	4
	65781-002	XTRB Straddle/Taper		68	22962-004	5/8" Hardened Flat Washer	8
63	22186-000	Torque Rod Bracket	4	69	47764-000	5/8"-11 UNC Locknut	4
64		Torque Rod Axle Bracket	2		70867-001	P-80 Lubricant - 10 ml (Not Shown)	Per Bushing
	46868-000	For Meritor Axle		70	65202-001	Pressure Protection Valve, <i>See plumbing diagram</i>	1
	48042-000	For Dana Axle		71	66029-000	In Cab Air Dump Switch, <i>See plumbing diagram</i>	1
				72	48940-000	In Cab Air Switch Plate (Not Shown)	1

NOTE: * Item included in assembly/kit only, part not sold separately.

** Hendrickson's part number is stamped on the torque rod for identification. Be sure to include the suffix number when ordering, this number indicates torque rod length. Hendrickson's two-piece ULTRA ROD PLUS can be used to create the desired length, see literature number 45745-148.

*** Transverse torque rods are mandatory for the AR2 Suspension regardless of axle spacing and require rubber center bushings, see Literature No. 59310-004 and 59310-058 for more information.

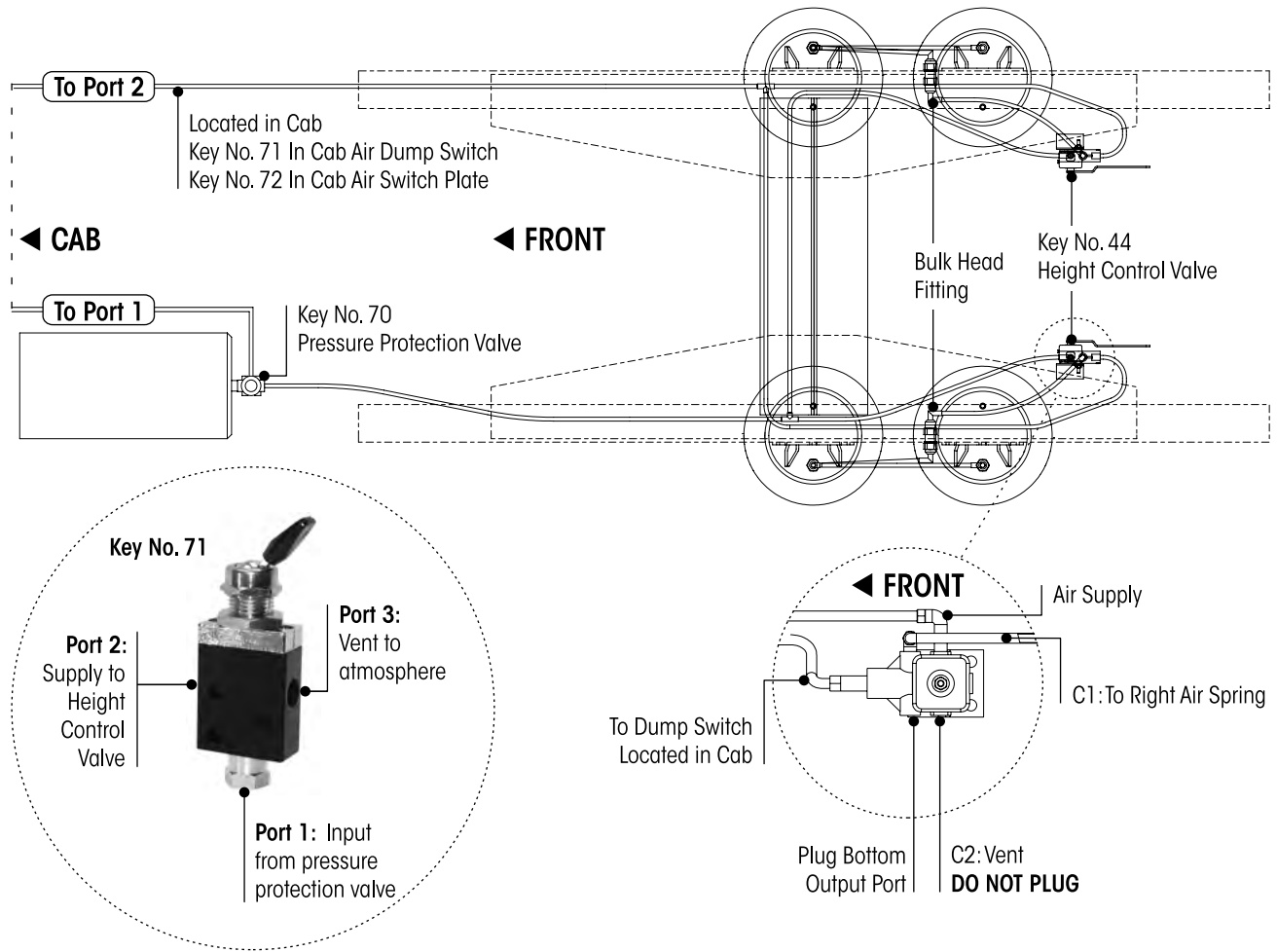
TABLE 1

Key No. 3 Corresponding Center Bushing End Plug for Cross Tube Replacement

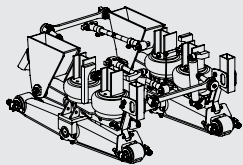
Capacity	Rubber Center Bushing	End Plug Part Number
40K	49600-000L • 49400-000L	22281-000
46K	34013-097L • 29483-005L	



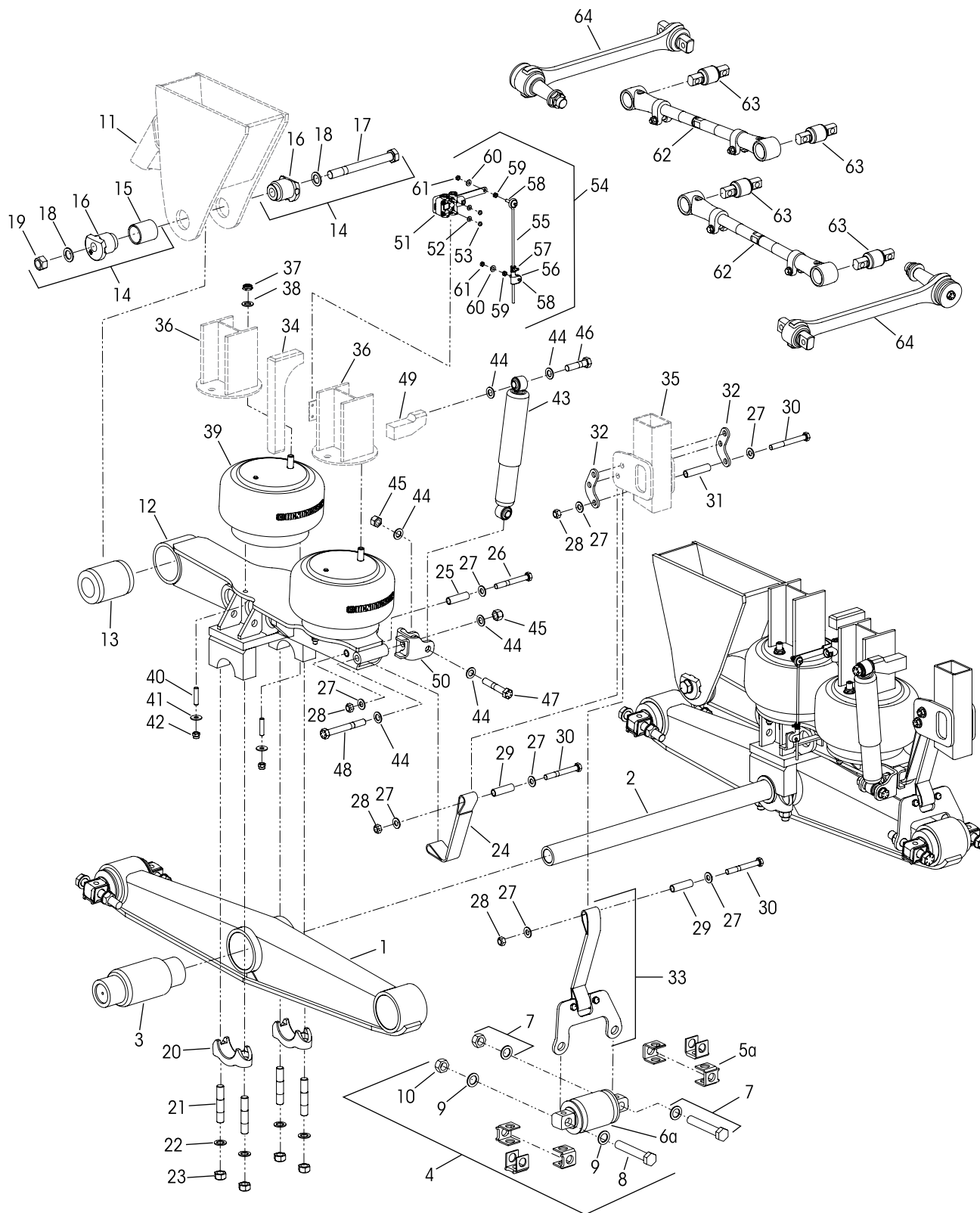
■ AR2 Plumbing Diagram



PARTS LISTS



PARTS LISTS





KEY NO.	PART NO.	DESCRIPTION	VEHICLE QTY.
1		Equalizing Beam Assembly <i>See Selection Guide 45745-147</i>	2
2	44643-009L	Cross Tube 44 ⁷ / ₈ " (If converted from RT•RTE suspension, refer to Lit. No. SP-168 Parts List)	1
3		Rubber Center Bushing <i>See Table 1 on Page 224</i>	2
	29483-005L	Welded End Plug	
	34013-097L	with Loose End Plug	
4		Bar Pin End Bushing Service Kit, One Wheel End	
	34013-324	Shim Type, Includes Key Nos. 5a, 6a, 7	
Not Shown	34013-332	Rotating Bar Pin, Shim Type, Includes Key Nos. 5a, 6b, 7	
5		Bar Pin Shim	8
a	50131-000	0.25" / 0.12" Standard	
b	50130-000	0.19" / 0.19" Optional	
c	57026-000	0.375" Optional flat shim	
6		*Bar Pin End Bushing	4
a		Shim Type	
b		Rotating Bar Pin, Shim Type (Not Shown)	
7	34013-323	Bar Pin End Bushing Fastener Kit, One Wheel End , Includes Key Nos. 8-10	
8		*1"-8 UNC x 7" Hex Bolt	8
9		*1" Hardened Washer	16
10		*1"-8 UNC Locknut	8
11		Frame Hanger Assembly	
		****Left Hand	1
		****Right Hand	1
		Trailing Arm Assembly, Includes Key Nos. 12, 13, 20-23	
	65655-009	Left Hand	1
	65655-010	Right Hand	1
12		Trailing Arm	
		*Left Hand	1
		*Right Hand	1
	34013-112L	Trailing Arm Bushing Service Kit, One Beam End , Includes Key Nos. 13-14	
13	29878-001L	Trailing Arm Bushing	2
14	21140-053L	Adapter Assembly, Includes Key Nos. 15-19	2
15	45289-003	Adapter Tube	2
16	45871-000	Trailing Arm Adapter	4
17	30550-005	1"-14 UNS x 9 ³ / ₄ " Bolt	2
18	22962-008	1" Hardened Washer	4
19	08017-000	1"-14 UNS Locknut	2
20	58795-000	Saddle Cap	4
21	06696-000	⁷ / ₈ "-14 UNF Saddle Cap Stud	8
22	22962-002	⁷ / ₈ " Hardened Washer	8
23	04842-000	⁷ / ₈ "-14 UNF Locknut	8
	34013-330	Trailing Arm Rebound Strap Service Kit, One Side , Includes Key Nos. 24-29	
24	57878-009	Trailing Arm Rebound Strap	2
25		*3 ⁷ / ₈ " Rebound Strap Tube	2
	34013-331	Equalizing Beam Rebound Strap Service Kit, One Side , Includes Key Nos. 7, 26-29, 33	
26	32043-011	⁵ / ₈ "-11 UNC x 5" Hex Bolt	2
27	22962-004	⁵ / ₈ " Washer	16
28	47764-000	⁵ / ₈ "-11 UNC Locknut	8
29	66100-000	3" Rebound Strap Tube	4

KEY NO.	PART NO.	DESCRIPTION	VEHICLE QTY.
30	32043-019	⁵ / ₈ "-11 UNC x 5 ¹ / ₂ " Hex Bolt	6
31	66100-001	3.6" Rebound Bracket Tube	2
32	66099-001	Rebound Strap Support Plate	4
33	66142-001	Equalizing Beam Rebound Strap Assembly	2
34		****Trailing Arm Stop Bar	2
35		****Rebound Strap Bracket and Axle Stop Assembly	2
36		****Air Spring Bracket	
		Front	2
		Rear Left Hand	1
		Rear Right Hand	1
	49177-018	Single Upper Air Spring Fasteners Service Kit , Includes Key Nos. 37-38	
37	17700-031	³ / ₄ "-16 UNF Nylocknut	4
38	22962-001	³ / ₄ " Hardened Washer	4
	34013-328	Single Air Spring and Lower Fasteners Service Kit , Includes Key Nos. 39-42	
39	65455-002L	Air Spring	4
40	65999-000	¹ / ₂ "-13 UNC x 2 ¹ / ₄ " Stud, Replaces 65454-000	8
41	22962-031	¹ / ₂ " Hardened Washer	8
42	17700-010	¹ / ₂ "-13 UNC Nylocknut	8
	64178-025	Single Shock Absorber Service Kit with Fasteners , Includes Key Nos. 43-48	
43	60665-020L	Shock Absorber	2
44	22962-001	³ / ₄ " Hardened Washer	12
45	49842-000	³ / ₄ "-10 UNC Locknut	4
46	50764-005	³ / ₄ "-10 UNC x 3" Bolt	2
47	50764-019	³ / ₄ "-10 UNC x 4 ¹ / ₂ " Bolt	2
48	50764-021	³ / ₄ "-10 UNC x 6" Bolt	2
49		****Upper Shock Bracket	2
50		Lower Shock Bracket	
	91704-001	Left Hand	1
	91704-002	Right Hand	1
	59013-000	Height Control Valve Service Kit, One Side , Includes Key Nos. 51-53	
51	60501-000	Height Control Valve	2
52		* ¹ / ₄ " Hardened Washer	4
53		* ¹ / ₄ "-20 UNC Locknut	4
54		Height Control Valve Linkage Assembly, Includes Key Nos. 55-61	
	58994-035	Right Hand	1
	58994-036	Left Hand	1
55		*Linkage Extension Rod	2
56		*Adj. Valve Arm Joint	2
57		*Valve Arm Clamp	2
58		* ⁵ / ₁₆ "-18 UNC Stud	4
59		* ⁵ / ₁₆ "-18 UNC Jam Nut	4
60		* ⁵ / ₁₆ " Hardened Washer	4
61		* ⁵ / ₁₆ "-18 UNC Locknut	4
62		Adjustable Longitudinal Torque Rod Assembly, Straddle/Straddle, Includes Key No. 63	
	80918-001	Front	1
	80918-002	Rear	1
63	47691-000	ULTRA ROD Straddle Bushing	4
64	8244-0099-590	***TRAAX ROD one-piece Transverse Torque Rod Assembly, Straddle / Taper, 590 mm Length	2
65	70867-001	P-80 - 10 ml (Not Shown)	Per Bushing

NOTE: * Item included in assembly/kit only, part not sold separately.

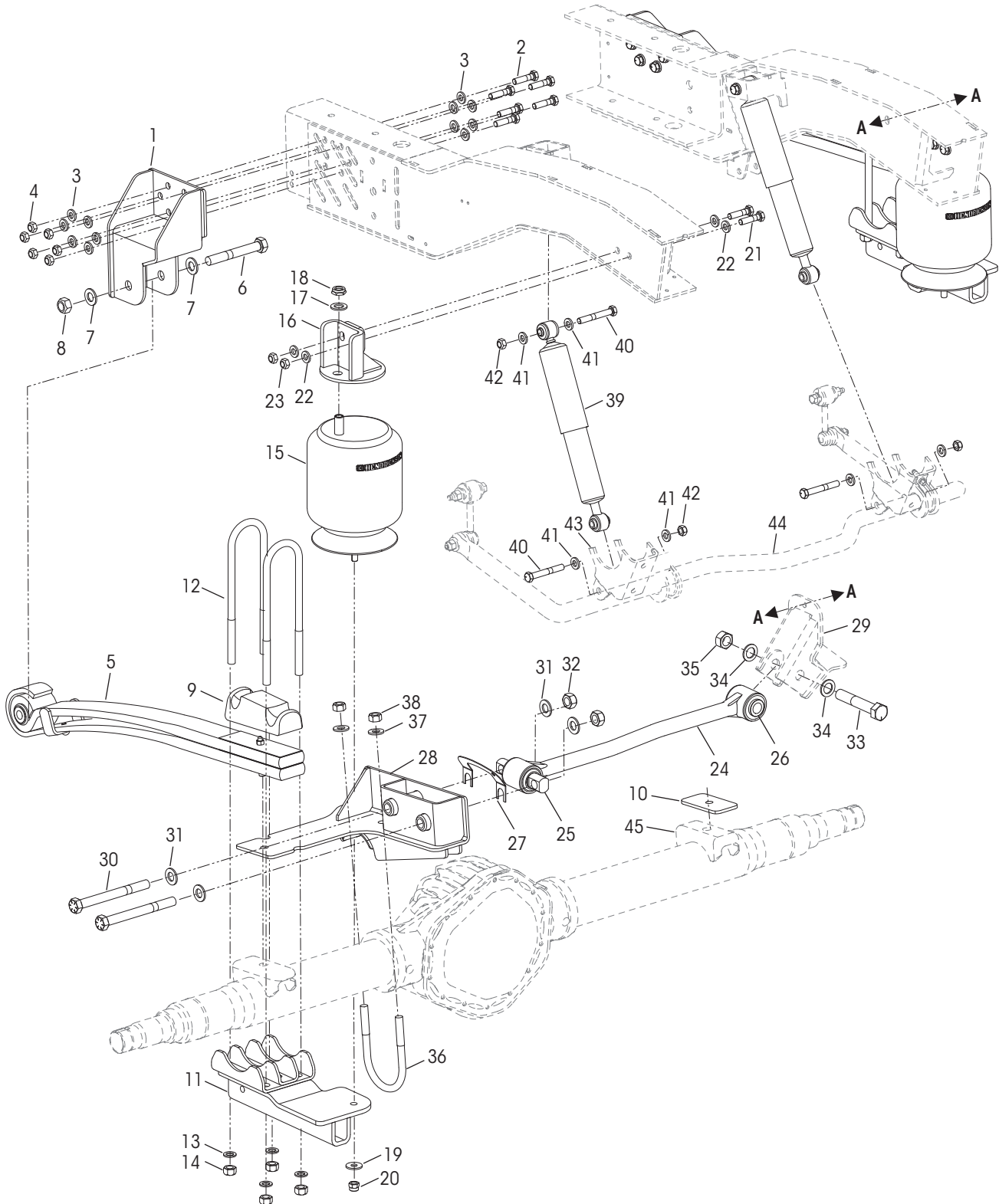
** Hendrickson's part number is stamped on the torque rod for identification. Be sure to include the suffix number when ordering, this number indicates torque rod length. Hendrickson's two-piece ULTRA ROD can be used to create the desired length, see literature number 45745-148.

*** Transverse torque rods are mandatory with the AR2 Suspension regardless of axle spacing and require rubber center bushings, see Literature No. 59310-004 and 59310-058 for more information. TRAAX RODs are non-rebushable. The entire torque rod assembly must be replaced.

**** AR2 for Groove welded component per the vehicle manufacturer, illustration for reference only. Contact the vehicle manufacturer for preventive maintenance and service instructions.



PARTS LISTS





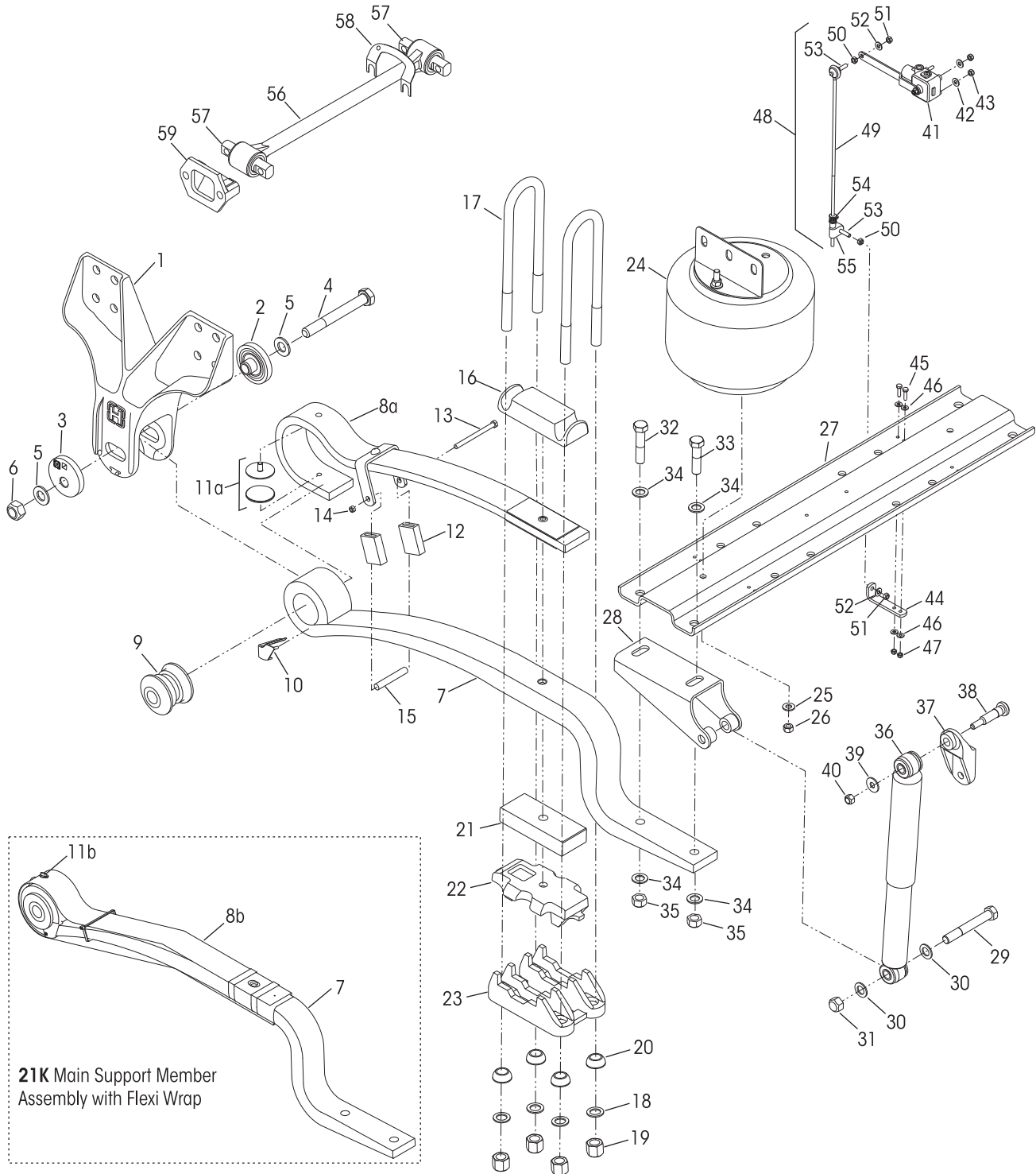
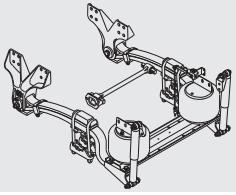
KEY NO.	PART NO.	DESCRIPTION	VEHICLE QTY.	KEY NO.	PART NO.	DESCRIPTION	VEHICLE QTY.
1		Frame Hanger		21	24531-006	½"-13 UNC x 2" Hex Bolt	4
	79373-001	Left Hand	1	22	22962-014	½" Flat Washer	8
	79373-002	Right Hand	1	23	49846-000	½"-13 UNC Locknut	4
	34013-221	Frame Hanger Fasteners Service Kit, One Side, Includes Key Nos. 2-4		24	79320-630	Torque Rod Assembly	1
2	24531-006	½"-13 UNC x 2" Hex Bolt	12	25	69210-000L	Straddle Bushing	1
3	22962-014	½" Flat Washer	24	26	47692-000	Thru Hole Bushing	1
4	49846-000	½"-13 UNC Locknut	12	27	49689-000 L	Torque Rod Shim	2
5	53982-000	Main Support Member	2	28	91091-000	Transverse Torque Rod Axle Mount Assembly, <i>Replaces 78837-000</i>	1
	34013-222	Main Support Member Spring Eye Fasteners Service Kit, One Side, Includes Key Nos. 6-8		29		*Transverse Torque Rod Frame Mount	1
6	21867-026	¾"-16 UNF x 5½" Hex Bolt	2			Torque Rod Fasteners Service Kits	
7	22962-047	¾" Flat Washer	4	34013-224	To Axle Mount, Includes Key Nos. 27, 30-32		
8	30191-000	¾"-16 UNF-2B Locknut	2	34013-223	To Frame Mount, Includes Key Nos. 33-35		
9	79307-001	Top Pad	2	30	21867-003	¾"-16 UNF x 7½" Hex Bolt	2
10	79306-001	Right Hand Spring Seat Spacer	1	31	22962-047	¾" Flat Washer	4
11		Lower Air Spring Bracket/Bottom Cap Assembly		32	30191-000	¾"-16 UNF-2B Locknut	2
	78830-001	Left Hand	1	33	30418-011	7/8"-14 UNF x 5" Hex Bolt	1
	78830-002	Right Hand	1	34	22962-055	7/8" Flat Washer	2
	34013-220	Clamp Group U-bolt Fasteners Service Kit, One Side, Includes Key Nos. 12-14		35	04842-000	7/8"-14 UNF-2B Locknut	1
12	79321-001	5/8"-18 UNF-2A x 12" U-bolt	4		34013-225	U-bolt to Axle Mount Fasteners Service Kit, Includes Key Nos. 36-38	
13	22962-025	5/8" Flat Washer	8	36	79322-001	5/8"-18 UNF-2A x 6½" U-bolt	1
14	66897-000	5/8"-18 UNF-2B Hex Nut	8	37	22962-004	5/8" Flat Washer	2
	34013-227	Air Spring Service Kit, One Side, Includes Key Nos. 15, 17-20		38	66897-000	5/8"-18 UNF-2B Hex Nut	2
15	78824-000	Air Spring Assembly	2		34013-226	Shock Absorber Fasteners Service Kit, One Side, Includes Key Nos. 39-42	
16		Upper Air Spring Bracket Assembly		39	79333-001	Shock Absorber	2
	78845-001	Left Hand	1	40	24531-016	½"-13 UNC x 3½" Hex Bolt	4
	78845-002	Right Hand	1	41	22962-014	½" Flat Washer	8
17	22962-001	¾" Flat Washer	2	42	49846-000	½"-13 UNC Locknut	4
18	17700-031	¾"-16 UNF-2B Locknut	2	43		*Lower Shock Absorber Bracket	2
19	22962-031	½" Flat Washer	2	44		*Swaybar	1
20	17700-010	½"-13 UNC-2B Locknut	2	45		*Axle Tube and Spring Seat	1

NOTES: * Not supplied by Hendrickson, used for reference only. Hendrickson is not responsible for components supplied by the vehicle manufacturer. For assistance with maintenance and rebuild instructions on these components see vehicle manufacturer.



21K • 23K Capacity

PARTS LISTS



21K Main Support Member Assembly with Flexi Wrap

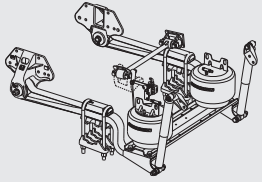


VEHICLE				VEHICLE			
KEY NO.	PART NO.	DESCRIPTION	QTY.	KEY NO.	PART NO.	DESCRIPTION	QTY.
1	60784-000	Frame Hanger	2	23	50216-000	Axle Bottom Cap	2
	60632-038	QUIK-ALIGN® Pivot Bushing & Collar Service Kits				Meritor RS21-145 - 0-9½° Pinion Angle LH/RH,	
	60632-044	Axle Set , Includes Key Nos. 2-6, 9, 11a, 60				Meritor RC23-160 - Negative 0-9½° Angle LH/RH	
		QUIK-ALIGN Pivot Bushing Service Kit, One Side		24		Air Spring Assembly, Includes Upper Bracket	2
	34013-103	Includes Key Nos. 4-6, 9, 11a, 60				and Fasteners	
	34013-322	Includes Key Nos. 4-6, 9, 60			60925-002	21K • 23K	
	60632-013	QUIK-ALIGN Collar Service Kit, Axle Set ,			60929-002	Front Engine, 21K • 23K	
		Includes Key Nos. 2-6, Replaces 60632-001			49177-006	Lower Air Spring Fastener Service Kit, Axle Set	
2		*QUIK-ALIGN Concentric Collar	3			Includes Key Nos. 25-26	
3		*QUIK-ALIGN Eccentric Collar	1	25	22962-014	½" Flat Washer	2
	60632-018	QUIK-ALIGN Fastener Service Kit, One Side ,		26	17700-010	½"-13 UNC Nylocknut	2
		Includes Key Nos. 4-6		27		Cross Channel – 40" Axle Dowel Pin Centers	1
4		*1"-14 UNF x 7½" Bolt, Replaces 64107-000	2		57317-001	Standard	
5		*1" Hardened Washer, Replaces 22962-035	4		64399-001	For Differential Relief	
6		*1"-14 UNF Locknut, Replaces 64108-000	2		67156-001	Square Tube for Rear Engine, Propane	
		Main Support Assembly	2		57356-000	Lower Shock Bracket Assembly,	2
	82433-000	23K, Includes Key Nos. 7, 8a, 9-10, 11a, 12-15				Includes Key Nos. 28-31	
		Replaces 60779-000		28	57355-000	Lower Shock Bracket	2
	82432-000	21K, Includes Key Nos. 7, 8b, 9, 11b, 12		29	50764-002	¾"-10 UNC x 5½" Bolt	2
7		*Main Support Member	2	30	22962-001	¾" Hardened Washer	4
8 a		*23K, Secondary Leaf	2	31	49842-000	¾"-10 UNC Locknut	2
b		*21K, Flexi Wrap, Includes Key No. 11b	2		50763-004	Cross Channel Fastener Service Kit, Axle Set ,	
9	58648-000L	QUIK-ALIGN Pivot Bushing	2			Includes Key Nos. 32-35	
10	60392-000	Spring Eye Clip	2	32	50764-003	¾"-10 UNC x 3½" Bolt	2
	49175-026	Spring Eye Clip Fastener Service Kit, One Side ,		33	50764-005	¾"-10 UNC x 3" Bolt	2
		Includes Key Nos. 11a, 12-15		34	22962-001	¾" Hardened Washer	8
11 a	64817-000	23K, Plastic Isolator Puck	4	35	49842-000	¾"-10 UNC Locknut	4
b	59770-000	21K, Rubber Isolator Pad	4	36	60998-003L	Shock Absorber, Replaces 60998-001	2
12	64272-000	Spring Eye Clip Sleeve	4	37	67463-002	Upper Shock Bracket	2
13	37042-006	¾"-14 UNC Bolt, Replaces 37042-002	2	38	50764-010	¾"-10 UNC Serrated Shank Bolt	2
14	37587-000	¾"-14 UNC Locknut	2	39	22962-001	¾" Hardened Washer	2
15		*Clip Bolt Spacer	2	40	49842-000	¾"-10 UNC Locknut	2
16	56805-000	Top Pad	2		59013-000	Single Height Control Valve Service Kit ,	
		U-bolt Service Kit, Axle Set				Includes Key Nos. 41-43	
	48718-023	21K, 23K w/o Tire Chains, Includes Key		41		*Height Control Valve	1
		Nos. 17a, 18-20		42		*¼" Hardened Washer	2
	48718-002	23K, Includes Key Nos. 17b, 18-20		43		*¼"-20 UNC Locknut	2
	48718-103	21K, 23K w/o Tire Chains, Includes Key				HCV Linkage Lower Bracket Service Kit	
		Nos. 17c, 18-20			57430-000	All Except Rear Engine, Includes Key Nos. 44a-47	
	48718-152	23K, Includes Key Nos. 17d, 18-20			57430-003	Rear Engine Only, Includes Key Nos. 44b-47	
17		¾"-14 UNF U-bolt	4	44		HCV Linkage Bracket	1
a	47417-007	15"		a	56789-000	All Except Rear Engine	
b	47417-001	16¼"		b	58367-000	Rear Engine	
c	47417-004	17¼"		45	56935-001	¼"-20 UNC x 1 ¼" Bolt	2
d	47417-009	18"		46	22962-028	¼" Hardened Washer	4
18	22962-002	¾" Hardened Flat Washer	8	47	49983-000	¼"-20 UNC Locknut	2
19	50765-000	¾" 14 UNF U-bolt Locknut	8	48	58994-XXX	HCV Linkage Assembly, Specify Length	1
20	48574-000	Spherical Washer	8			Includes Key Nos. 49-55	
21		Spacer	As Req.	49		*HCV Linkage Rod	1
	48531-014	1½"		50		*5/16"-18 UNC Jam Nut	2
	76863-000	2½"		51		*5/16"-18 UNC Locknut	2
22		Spring Seat	2	52		*5/16" Hardened Washer	2
	57022-010	Meritor RS15-120 - 4½° Pinion Angle LH / RH		53		*5/16"-18 UNC Stud	2
		Meritor RS21-145, RS23-160		54		*Valve Arm Clamp	1
	56501-001	2° Pinion Angle LH/RH, 8.5" Ride Height		55		*Adjustable Valve Arm Joint	1
	56501-002	2.5° Pinion Angle LH/RH		56	62000-XXX	Transverse Torque Rod Assembly, Specify Length	1
	56501-006	4.5° Pinion Angle LH/RH, 8.5" Ride Height		57	47691-000L	Torque Rod Bushing	2
	56501-009	6° Pinion Angle LH/RH		58	49689-000L	Torque Rod Shim	As Req.
	56501-020	4.5° Pinion Angle LH/RH, 10.5" Ride Height		59	22186-000	Transverse Torque Rod Frame Bracket	1
	56501-021	0° Pinion Angle LH/RH		60	70867-001	P-80 Lubricant - 10 ml (Not Shown)	As Req.
	56501-022	2° Pinion Angle LH/RH, 10.5" Ride Height					
		Meritor RC23-160					
	56501-020	Negative 4.5° Pinion Angle LH/RH					

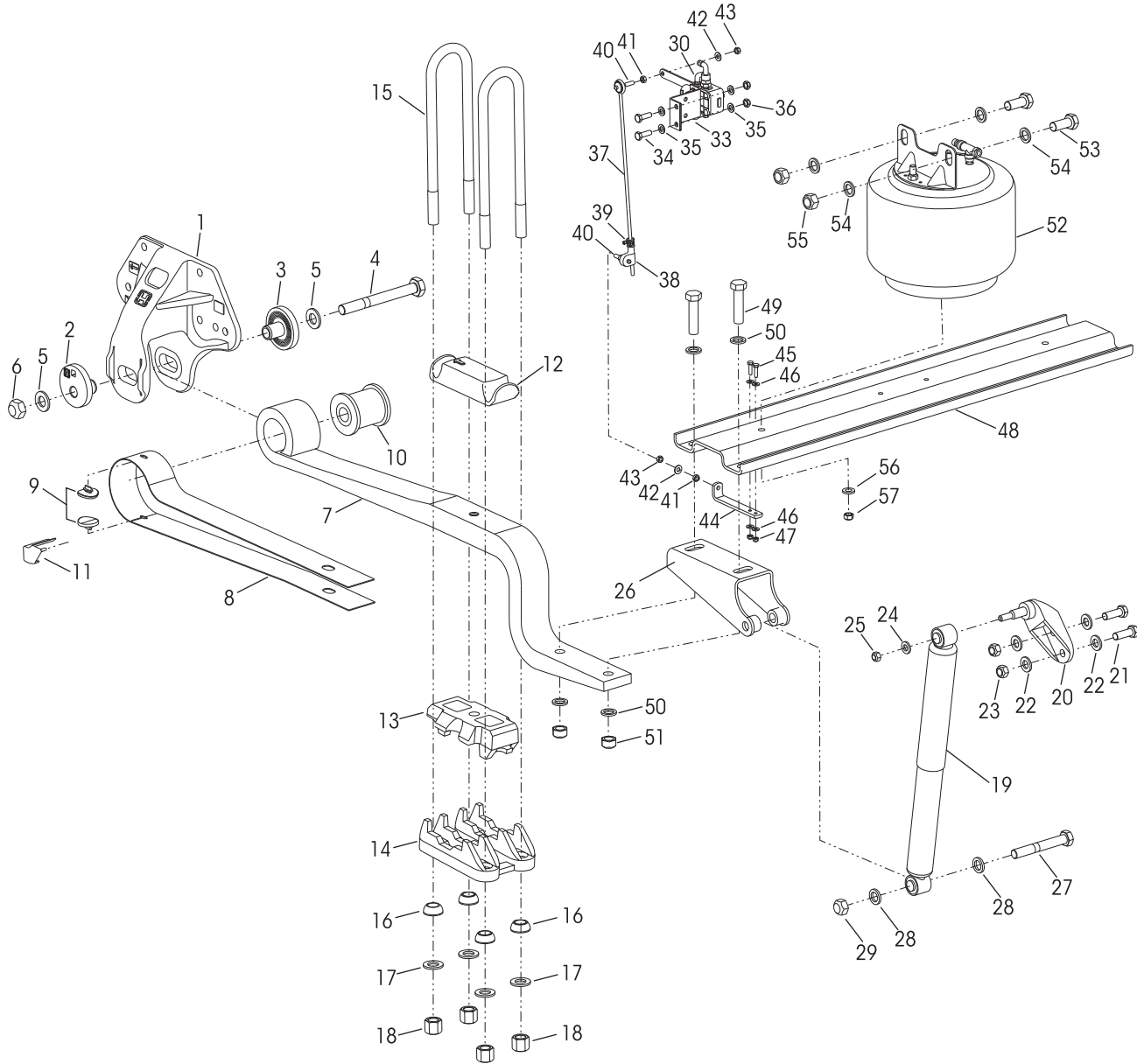
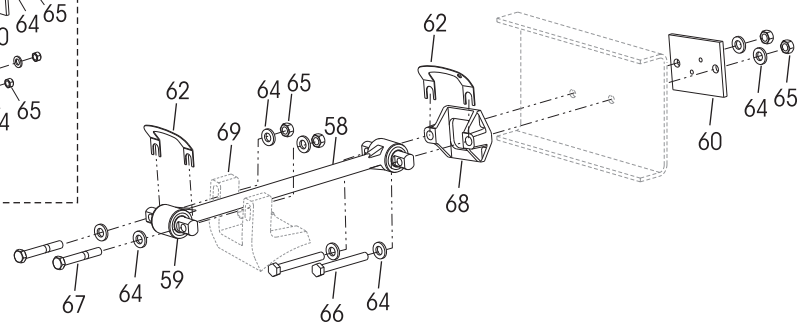
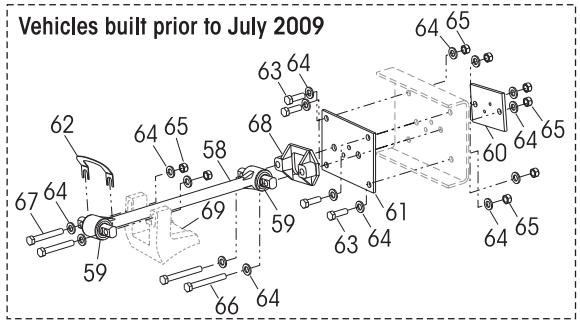
NOTE: * Item included in kit/assembly only, part not sold separately.



19K Capacity



PARTS LISTS





			VEHICLE				VEHICLE
KEY NO.	PART NO.	DESCRIPTION	QTY.	KEY NO.	PART NO.	DESCRIPTION	QTY.
1		Spring Hanger			65121-001	HCV Upper Frame Fastener Service Kit, Includes Key Nos. 34-36	
	65081-001L	Left Hand	1	34	58573-004	M10 x 1.5 x 30 mm Bolt	2
	65081-002L	Right Hand	1	35	58246-008	M10 Hardened Washer	4
		QUIK-ALIGN® Service Kit,		36	58581-000	M10 x 1.5 Locknut	2
	65119-001	Left Hand, Includes Key Nos. 2-6			58994-032	Linkage Rod Assembly, Includes Key Nos. 37-43	1
	65119-002	Right Hand, Includes Key Nos. 3-6		37		*Linkage Rod	1
2	60662-000L	QUIK-ALIGN Eccentric Collar	1	38		*Valve Arm Joint	1
3	60661-000L	QUIK-ALIGN Concentric Collar	3	39		*Valve Arm Clamp	1
4	58705-005	7/8"-9 UNC x 8" H-Coated Hex Bolt	2	40		*5/16"-18 UNC Stud	2
5	22962-034	7/8" H-Coated Hardened Washer	4	41		*5/16"-18 UNC Jam Nut	2
6	60266-000	7/8"-9 UNC H-Coated Locknut	2	42		*5/16" Washer	2
	65106-001	Main Support Member Assembly, Includes Key Nos. 7-11	2	43		*5/16"-18 UNC Locknut	2
7		*Main Support Member	2	44	65090-000	HCV Lower Linkage Bracket	1
8		*Flexi-Wrap	2	45	65091-001	M6 x 1-6G x 30 mm Bolt	2
	34013-109	Main Support Member Bushing Service Kit, One Side, Includes Key Nos. 4-6, 9-11		46	58246-016	M6 Hardened Washer	4
9	59770-000	Isolator Pad	4	47	65092-000	M6 x 1-6H Locknut	2
10	58648-000L	Main Support Member Bushing	2	48	57317-007	Cross Channel	1
11	60392-000	Spring Eye Clip	2		57499-003	Cross Channel Fastener Service Kit, Axle Set, Includes Key Nos. 49-51	
12	65071-000	Top Pad	2	49	58258-023	M20 x 2.5-6G x 90 mm Bolt, <i>Replaces 58258-001</i>	4
13	56501-005P	Spring Seat - 4°	2	50	58246-007	M20 Hardened Washer	8
14	50216-000	Axle Bottom Cap	2	51	58259-000	M20 x 2.5-6H Locknut	4
	58818-011	U-bolt Fastener Kit, One Side, Includes Key Nos. 15-18		52	65086-002	Air Spring Assembly	2
15	58184-001	M22 x 1.5 U-bolt - 380 mm	4		58820-005	Air Spring Fastener Service Kit, One Side, Includes Key Nos. 53-57	
16	48574-001	Spherical Washer	8	53	58258-004	M20 x 2.5-6G x 50 mm Bolt	4
17	58246-005	M22 Hardened Washer	8	54	58246-007	M20 Hardened Washer	8
18	58253-000	M22 x 1.5 High Nut	8	55	58259-000	M20 x 2.5-6H Locknut	4
19	60670-013	Shock Absorber	2	56	58246-001	M12 Hardened Washer	2
20	58516-002P	Upper Shock Bracket	2	57	66224-000	M12 x 1.25 Locknut, <i>Replaces 65089-000</i>	2
	65118-002	Upper Shock Bracket Service Kit, One Side, Includes Key Nos. 21-25		58	62000-595	**Transverse Torque Rod Assembly, 595 mm, Includes Key No. 59	1
21	58244-002	M16 x 2.5 Bolt	4	59	47691-000L	Torque Rod Bar Pin Bushing	2
22	58246-003	M16 Hardened Washer	8	60	45045-010	Outer Reinforcement Plate, <i>Replaces 65137-000</i>	1
23	58245-000	M16 x 2 Locknut	4	61		***Inner Reinforcement Plate	1
24	58246-001	M12 Hardened Washer	2		58819-004	Transverse Torque Rod Fastener Service Kit, Axle Set, Includes Key Nos. 62-67	
25	58248-000	M12 x 1.75 Locknut	2	62	49689-000L	Shim (1.5 mm)	As Req.
26	65098-000	Lower Shock Bracket	2	63		***M16 x 2-6G x 50 mm Bolt	4
27	58258-005	M20 x 2.5 x 140 mm Bolt	2	64	58246-003	M16 Hardened Washer	8
28	58246-007	M20 Hardened Washer	4	65	58245-000	M16 x 2-6H Locknut	4
29	58259-000	M20 x 2.5 Locknut	2	66	58244-005	M16 x 2-6G x 130 mm Bolt	2
	69031-000	Height Control Valve Assembly Includes Key Nos. 30-33	1	67	58244-009	M16 x 2-6G x 110 mm Bolt	2
30	60501-000	Height Control Valve	1	68	22186-000	Transverse Torque Rod Frame Bracket	1
31	22962-052	1/4" HCV Washer (Not Shown)	2	69		Transverse Torque Rod Axle Bracket Supplied by Vehicle Manufacturer	1
32	49983-000	1/4" HCV Hex Nut (Not Shown)	2		70867-001	****P-80 Lubricant - 10 ml	As Req.
33	65097-000	HCV Mounting Bracket	1				

NOTES: Quantities of service kit components may vary from amount shown in lists.

* Item included in kit/assembly only, part not sold separately.

** Hendrickson two piece torque rods can be used to create the desired torque rod length, see Torque Rod Selection Guide 45745-148 for more information.

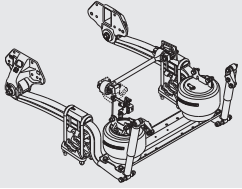
*** Inner reinforcement plate (Part No. 65095-000) is no longer available, see torque rod configuration for vehicles built AFTER July 2009.

**** Used as a lubricant to install torque rod bushing and main support member pivot bushing.

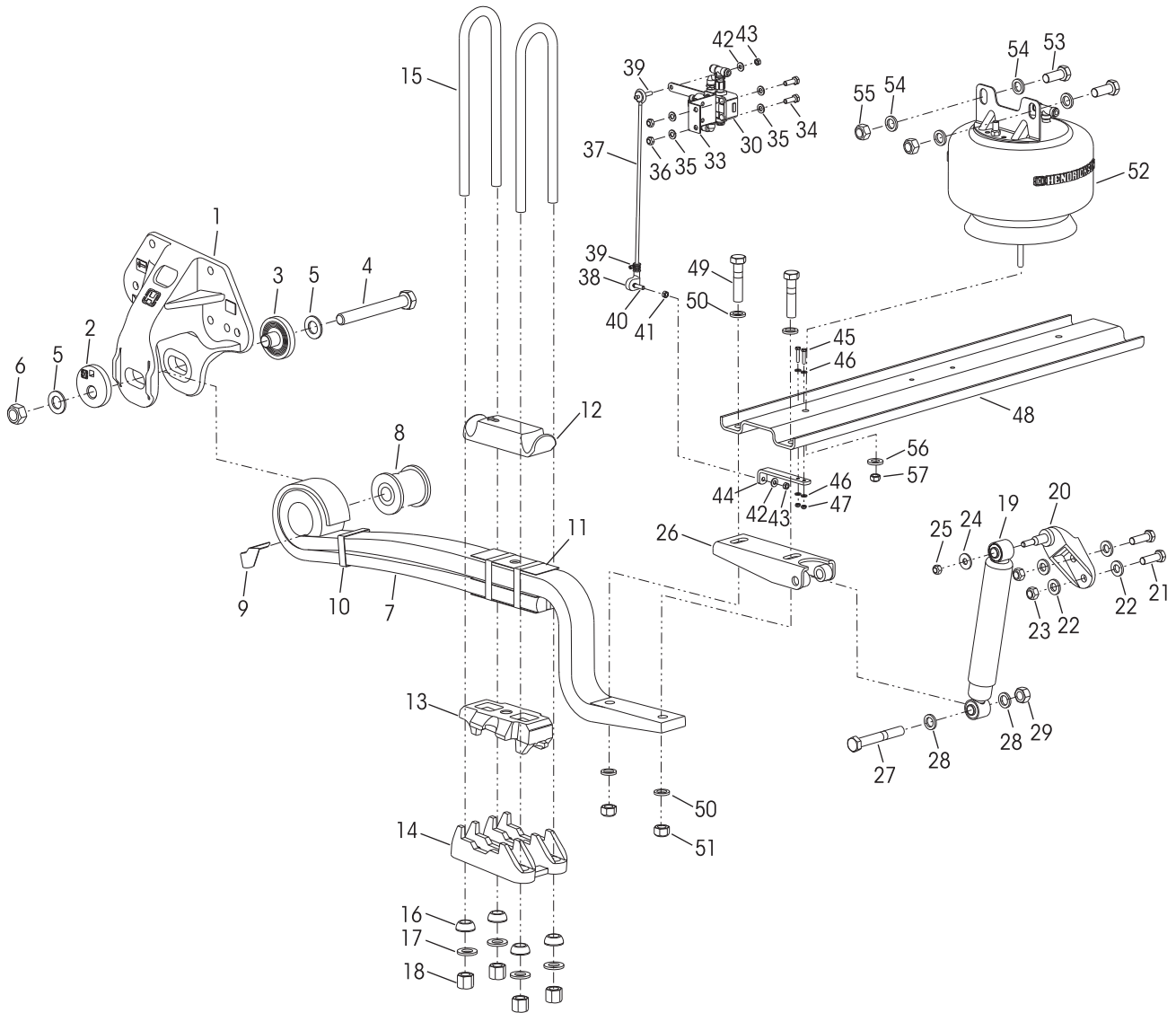
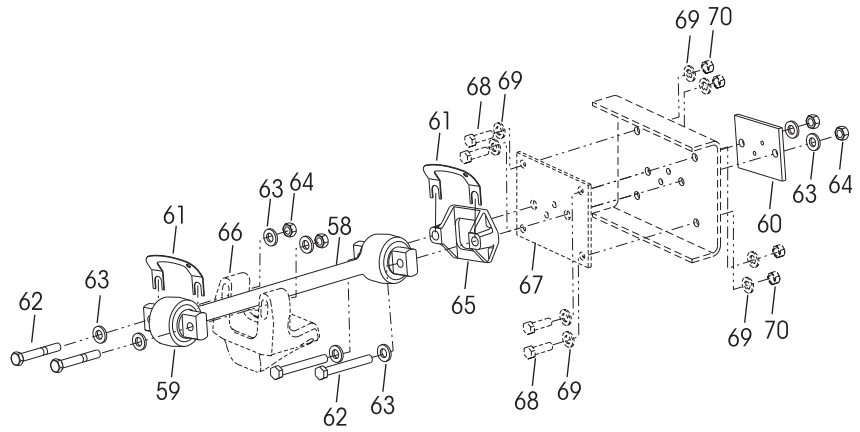
Hendrickson COMFORT AIR Ride Height Gauge for Hino vehicles Literature number 45745-242 can be obtained on-line at www.hendrickson-intl.com/Litform



23K Capacity



PARTS LISTS





KEY NO.	PART NO.	DESCRIPTION	VEHICLE QTY.	KEY NO.	PART NO.	DESCRIPTION	VEHICLE QTY.
1		Spring Hanger		34	58573-004	M10 x 1.5 x 30 mm Bolt	2
	65081-001L	Left Hand	1	35	58246-008	M10 Hardened Washer	4
	65081-002L	Right Hand	1	36	58581-000	M10 x 1.5 Locknut	2
		QUIK-ALIGN® Service Kit			58994-032	Linkage Rod Assembly, Includes Key Nos. 37-43	1
	60632-029	Left Hand, 23K, Includes Key Nos. 2-6		37		**Linkage Rod	1
	60632-030	Right Hand, 23K, Includes Key Nos. 3-6		38		**Valve Arm Joint	1
2	64632-000	QUIK-ALIGN Eccentric Collar	1	39		**Valve Arm Clamp	1
3	64633-000	QUIK-ALIGN Concentric Collar	3	40		**5/16"-18 UNC Stud	2
4	68217-001	1"-14 UNF x 8" H-Coated Hex Bolt	2	41		**5/16"-18 UNC Jam Nut	2
5	68232-000	1" H-Coated Hardened Washer	4	42		**5/16" Washer	2
6	68218-000	1"-14 UNF H-Coated Locknut	2	43		**5/16"-18 UNC Locknut	2
	53443-000	Main Support Member Assembly, Includes Key Nos. 7-11	2	44	65090-000	HCV Lower Linkage Bracket	1
7		**Main Support Member	2	45	65091-003	M6 x 1-6G x 35 mm Bolt	2
	34013-189	Main Support Member Bushing Service Kit, One Side, Includes Key Nos. 4-6, 8-9		46	58246-016	M6 Hardened Washer	4
8	58648-000L	Main Support Member Bushing	2	47	65092-000	M6 x 1-6H Locknut	2
9	60392-001	Spring Eye Clip	2	48	57317-007	Cross Channel	1
10		**Nylon Caristrap®			57499-003	Cross Channel Fastener Service Kit, Axle Set, Includes Key Nos. 49-51	
11		**Galvanized Liner	6	49	58258-023	M20 x 2.5-6G x 90 mm Bolt, <i>Replaces 58258-001</i>	4
12	65071-000	Top Pad	2	50	58246-007	M20 Hardened Washer	8
13	56501-007P	Spring Seat - 5°	2	51	58259-000	M20 x 2.5-6H Locknut	4
14	50216-000	Axle Bottom Cap	2	52	76942-002	Air Spring Assembly	2
	69124-008	U-bolt Fastener Kit, One Side, Includes Key Nos. 15-18			58820-005	Air Spring Fastener Service Kit, One Side, Includes Key Nos. 53-57	
15	58184-005	M22 x 1.5 U-bolt - 400 mm	4	53	58258-004	M20 x 2.5-6G x 50 mm Bolt	4
16	48574-001	Spherical Washer	8	54	58246-007	M20 Hardened Washer	8
17	58246-005	M22 Hardened Washer	8	55	58259-000	M20 x 2.5-6H Locknut	4
18	58253-000	M22 x 1.5 High Nut	8	56	58246-001	M12 Hardened Washer	2
19	60670-018	Shock Absorber	2	57	66224-000	M12 x 1.25 Locknut with Nylon Insert	2
20	58516-002P	Upper Shock Bracket	2	58	72000-595S	***ULTRA ROD® PLUS™ Transverse Torque Rod Assembly, 595 mm, Includes Key No. 59	1
	65118-002	Upper Shock Bracket Service Kit, One Side, Includes Key Nos. 21-25		59	64400-002L	Torque Rod Bar pin Bushing	2
21	58244-002	M16 x 2 x 50 mm Bolt	4	60	45045-010	Outer Reinforcement Plate, <i>Replaces 65137-000</i>	1
22	58246-003	M16 Hardened Washer	8		69124-007	Transverse Torque Rod Fastener Service Kit, Axle Set, Includes Key Nos. 61-64	
23	58245-000	M16 x 2 Locknut	4	61	49689-000L	Shim (1.5 mm)	As Req.
24	58246-001	M12 Hardened Washer	2	62	58244-005	M16 x 2-6G x 130 mm Bolt	4
25	58248-000	M12 x 1.75 Locknut	2	63	58246-003	M16 Hardened Washer	8
26	49324-002	Lower Shock Bracket	2	64	58245-000	M16 x 2-6H Locknut	4
27	58258-005	M20 x 2.5 x 140 mm Bolt	2	65	22186-000	Transverse Torque Rod Frame Bracket	1
28	58246-007	M20 Hardened Washer	4	66		Transverse Torque Rod Axle Bracket Supplied by Vehicle Manufacturer	1
29	58259-000	M20 x 2.5 Locknut	2	67		*Inner Reinforcement Plate	1
	69031-000	Height Control Valve Assembly Includes Key Nos. 30-33	1	68		*M16 x 2-6G x 50 mm Bolt	4
30	60501-000	Height Control Valve	1	69		*M16 Hardened Washer	8
31	22962-052	1/4" HCV Washer (Not Shown)	2	70		*M16 x 2-6H Locknut	4
32	49983-000	1/4" HCV Hex Nut (Not Shown)	2	Not Shown	70867-001	****P-80 Lubricant - 10 ml	As Req.
33	65097-000	HCV Mounting Bracket	1				
	65121-001	HCV Upper Frame Fastener Service Kit, Includes Key Nos. 34-36					

NOTES: Quantities of service kit components may vary from amount shown in lists.

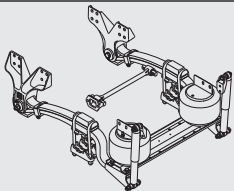
* Not supplied by Hendrickson, used for reference only. Hendrickson is not responsible for components supplied by the vehicle manufacturer. For assistance with maintenance and rebuild instructions on these components see vehicle manufacturer.

** Item included in kit/assembly only, part not sold separately.

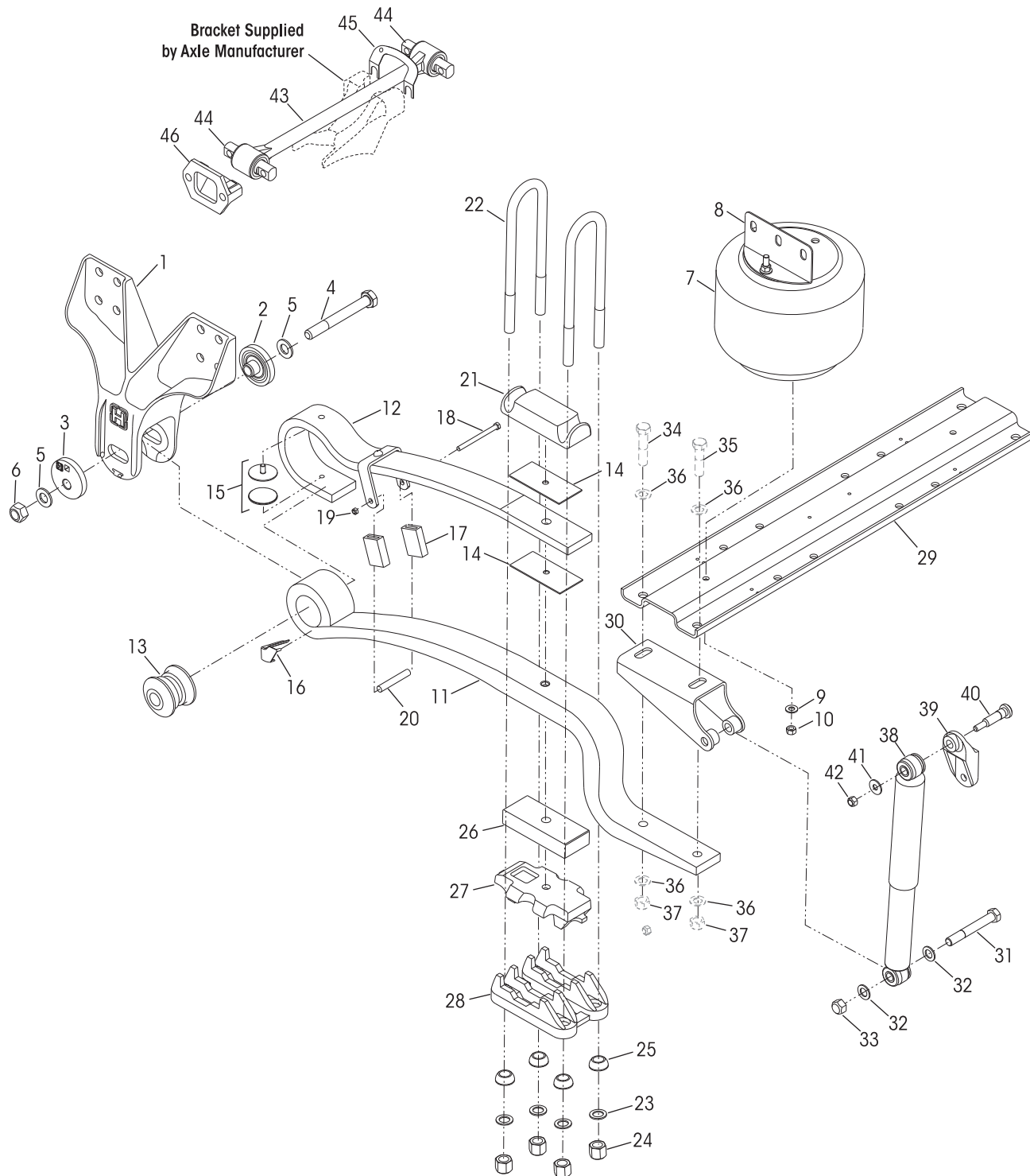
*** Hendrickson two piece torque rods can be used to create the desired torque rod length, see Torque Rod Selection Guide 45745-148 for more information.

**** Used as a lubricant to install torque rod bushing and main support member pivot bushing.

Hendrickson COMFORT AIR Ride Height Gauge for Hino vehicles Literature number 45745-242 can be obtained on-line at www.hendrickson-intl.com/Litform



PARTS LISTS





KEY NO.	PART NO.	DESCRIPTION	VEHICLE QTY.	KEY NO.	PART NO.	DESCRIPTION	VEHICLE QTY.
1	60784-000	Frame Hanger	2	21	56805-000	Top Pad	2
	60632-038	QUIK-ALIGN Pivot Bushing Service Kit, Axle Set , Includes Key Nos. 2-6, 13, 15, 47			48718-007	U-bolt Service Kit, Axle Set , Includes Key Nos. 22-25	
	34013-103	QUIK-ALIGN Pivot Bushing Service Kit, One Side , Includes Key Nos. 4-6, 13, 15, 47		22	47417-008	7/8"-14 UNF x 1 1/2" U-bolt	4
	60632-013	QUIK-ALIGN® Collar Service Kit, Axle Set , Includes Key Nos. 2-6		23	22962-002	7/8" Hardened Flat Washer	8
2	64633-000	QUIK-ALIGN Concentric Collar	3	24	50765-000	7/8" 14 UNF U-bolt Locknut	8
3	64632-000	QUIK-ALIGN Eccentric Collar	1	25	48574-000	Spherical Washer	8
4	68217-000	1"-8 UNC x 7 1/2" Bolt	2	26	48531-015	Spring Seat Spacer	2
5	68232-000	1" Hardened Washer	4	27	56501-020	Spring Seat, 4.5° Pinion Angle LH/RH - 5"	2
6	68218-000	1"-8 UNC Locknut	2	28	50216-000	Axle Bottom Cap	2
	60925-002	Air Spring Assembly, Includes Key Nos. 7-8 & Fasteners	2	29	66279-001	Cross Channel	1
7		*Air Spring	2		57356-000	Lower Shock Bracket Assembly, Includes Key Nos. 30-33	2
8	57096-002	Air Spring Bracket	2	30		*Lower Shock Bracket	2
	49177-006	Lower Air Spring Fastener Service Kit, Axle Set , Includes Key Nos. 9-10		31	50764-002	3/4"-10 UNC x 5 1/2" Bolt	2
9	22962-014	1/2" Flat Washer	2	32	22962-001	3/4" Hardened Washer	4
10	17700-010	1/2"-13 UNC Nylocknut	2	33	49842-000	3/4"-10 UNC Locknut	2
	60779-000	Main Support Assembly, Includes Key Nos. 11-20	2	34		**3/4"-10 UNC x 3 1/2" Bolt	2
11		*Main Support Member	2	35		**3/4"-10 UNC x 3" Bolt	2
12		*Secondary Leaf	2	36		**3/4" Hardened Washer	8
13	58648-000	Pivot Bushing	2	37		**3/4"-10 UNC Locknut	4
14	37674-051	Liner	4	38	60670-006L	Shock Absorber	2
15	64817-000	Plastic Isolator Puck	4		57322-002	Upper Shock Bracket Assembly, Includes Key Nos. 39-42	2
16	60392-000	Spring Eye Clip	2	39		*Upper Shock Bracket	2
	49175-026	Spring Clip Fastener Service Kit, Axle Set , Includes Key Nos. 17-19		40	50368-000	1/2"-13 UNC Serrated Shank Bolt	2
17	64272-004	Spring Clip Sleeve	4	41	22962-031	1/2" Hardened Washer	2
18	37042-006	7/16"-14 UNC Bolt	2	42	49846-000	1/2"-13 UNC Locknut	2
19	37587-000	7/16"-14 UNC Nut	2	43	62000-570	Transverse Torque Rod Assembly	1
20		*Clip Bolt Spacer	2	44	47691-000L	Torque Rod Bushing	2
				45	49689-000L	Torque Rod Shim	As Req.
				46	22186-000	Transverse Torque Rod Frame Bracket	1
				47	70867-001	P-80 Lubricant - 10 ml (Not Shown)	As Req.

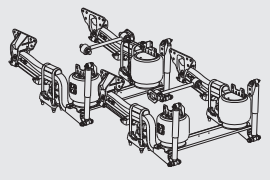
NOTES: * Item included in assembly only, part not sold separately.

** Not supplied by Hendrickson, used for reference only. Hendrickson is not responsible for components supplied by the vehicle manufacturer. For assistance with maintenance and rebuild instructions on these components see vehicle manufacturer.

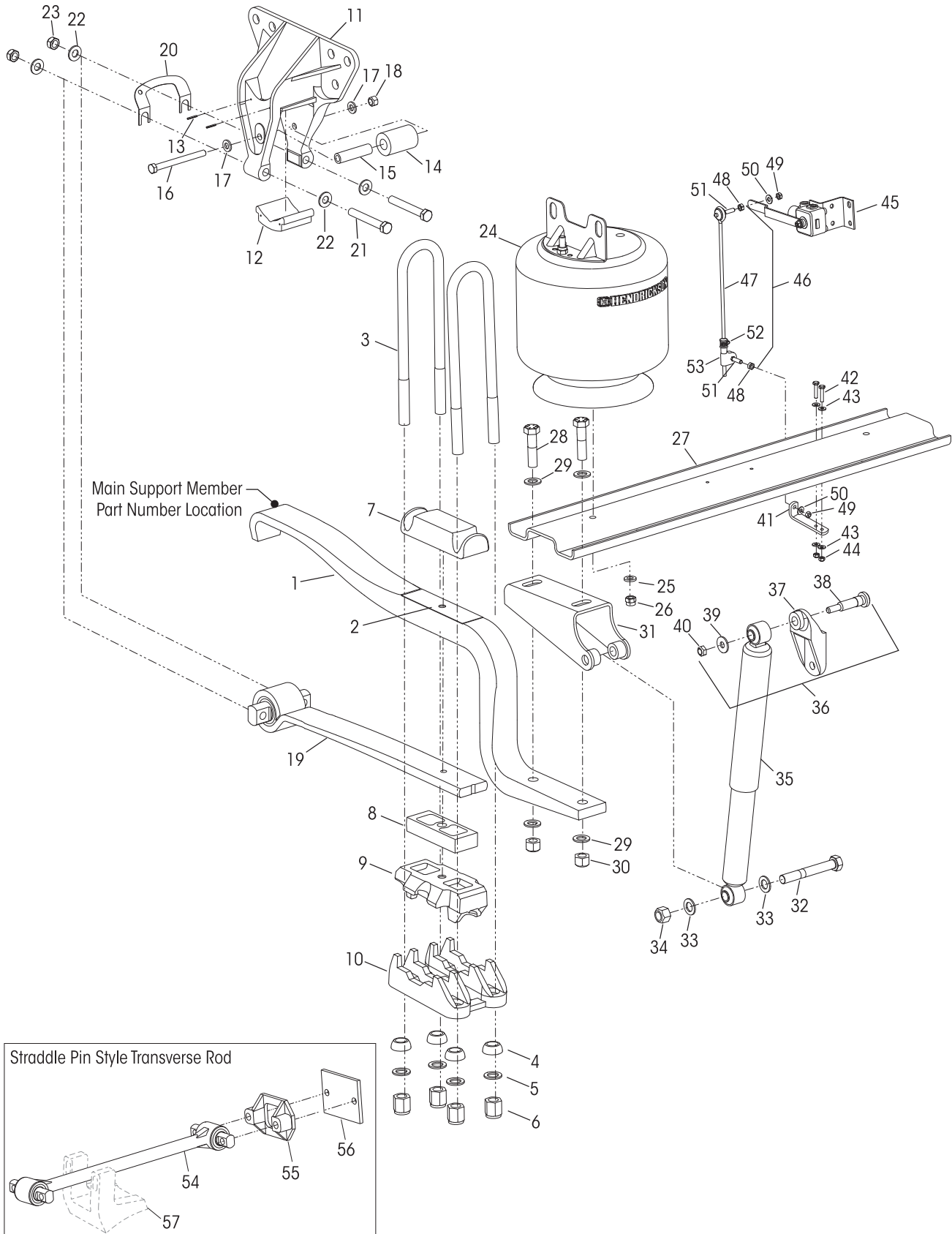


Equipped with Air Disc Brake

21K • 23K • 40K • 46K Capacity



PARTS LISTS



Main Support Member
Part Number Location

Straddle Pin Style Transverse Rod



VEHICLE				VEHICLE			
KEY NO.	PART NO.	DESCRIPTION	QTY.	KEY NO.	PART NO.	DESCRIPTION	QTY.
1	59193-000	Main Support Member, Includes Key No. 2 <i>See Part No. Location on Page 238</i>	4	28		¾"-10 UNC Bolt 3½" Length	8
2		**Delrin Liner	4		50764-003	3" Length	
3		¾"-14 UNF U-bolt, <i>see Selection Guide on Page 249</i>	8	29	22962-001	¾" Flat Hardened Washer	16
	48718-157	U-bolt Fastener Service Kit, Two U-bolts, Includes Key Nos. 4-6		30	49842-000	¾"-10 UNC Locknut	8
4	48574-000	¾" Spherical Washer	16		57356-000	Lower Shock Bracket Assembly, Includes Key Nos. 31-34	4
5	22962-002	¾" Flat Hardened Washer	16	31	57355-000	Lower Shock Bracket	4
6	57347-000	¾"-14 UNF U-bolt Nut	16	32	50764-002	¾"-10 UNC x 5½" Bolt	4
7	56805-000	Top Pad	4	33	22962-001	¾" Flat Hardened Washer	8
8	48531-020	Spring Seat Spacer - 1¼" Height	4	34	49842-000	¾"-10 UNC Locknut	4
9		Spring Seat Assembly, <i>see Table 1 below</i>	4	35	60670-005L	Shock Absorber	4
10		Axle Bottom Cap	4	36	57322-002	Upper Shock Bracket Assembly, Includes Key Nos. 37-40	4
		LHF/RHF/LHR/RHR		37		**Upper Shock Bracket	4
		Meritor RT 40-145, RT 46-160		38	50368-000	½"-13 UNC x 3¾" Serrated Shank Bolt	4
		LHF/RHR		39	22962-031	½" Flat Hardened Washer	4
		Meritor SSHD, SQ-100; Dana DS-402/451		40	49846-000	½"-13 UNC Locknut	4
	50216-000	2°-9.5° Pinion Angle			57430-000	HCV Linkage Lower Bracket Kit Includes Key Nos. 41-44	
	50222-000	10°-12° Pinion Angle		41	56789-000	HCV Linkage Lower Bracket	1
11	58425-001	Frame Hanger Assembly, Includes Key Nos. 12-13	4	42	56935-001	¼"-20 UNC x 1" Bolt	2
	56557-005	Slipper Pad Service Kit, One Hanger, Includes Key Nos. 12-13		43	22962-028	¼" Flat Hardened Washer	4
12	56929-000	Slipper Pad	4	44	49983-000	¼"-20 UNC Locknut	2
13	58287-001	1" Lock Pin - ½" Diameter Retainer Lock Pin	8	45	57977-000	Height Control Valve	1
	49175-013	Rebound Roller Kit, Axle Set, Includes Key Nos. 14-18		46	58994-XXX	HCV Linkage Assembly, Specify Length, Includes Key Nos. 47-53	1
14	57989-000	Rebound Roller	4	47		**Linkage Rod, Specify Length	1
15	57988-000	Rebound Bolt Spacer	4	48		**5/16"-18 UNC Jam Nut	2
16	24531-015	½"-13 UNC x 5½" Hex Bolt	4	49		**5/16"-18 UNC Locknut	2
17	22962-014	½" Flat Washer	8	50		**5/16" Flat Hardened Washer	2
18	49846-000	½"-13 UNC Locknut	4	51		**5/16"-18 UNC Stud	2
19	53350-000	Single Leaf Spring	4	52		**Linkage Rod Clamp	1
20	49689-000L	Shim - ½"	4	53		**Adjustable Linkage Rod Joint	1
21	32043-005	5/8"-11 UNC x 4½" Bolt	8	54	60218-000	****Two-Piece Transverse Torque Rod Kit, Includes Bushings	2
22	22962-004	5/8" Flat Hardened Washer	16	55	22186-000	Transverse Torque Rod Frame Bracket	2
23	47764-000	5/8"-11 UNC Locknut	8	56	45045-003	Back up Plate	2
24	50898-002	Air Spring Assembly	4	57		*Transverse Torque Rod Axle Bracket	2
25	22962-014	½" Flat Hardened Washer	4	Not Shown	70867-001	P-80 Lubricant - 10 ml	Per Bushing
26	17700-010	½"-13 UNC Nylocknut	4				
27	57317-001	Cross Channel - 40" Dowel Pin Centers	2				

Equipped with Air Disc Brakes

Total of four (4) spring seats required per tandem.
One of each located at the left/right front and left/right rear.

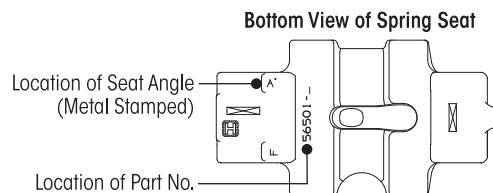


TABLE 1
Key No. 9

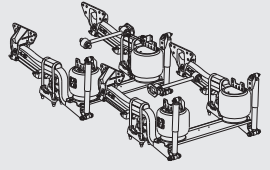
Dana 17060, 19060, 21060, 21080, 21090, 23090, 26090, P20060, P22060, DS-402
Meritor SQ-100, SSHD, RT-40, RT-46

SPRING SEAT	Right Casting No. 56500-000				Left Casting No. 56504-000			
	Seat Angle	Part Number	Seat Angle	Part Number	Seat Angle	Part Number	Seat Angle	Part Number
	0.0°	056501-037	3.5°	056501-029	8.0°	70856-001	11.0°	70856-007
	0.5°	056501-038	4.0°	056501-030	8.5°	70856-002	11.5°	70856-008
	1.0°	056501-039	4.5°	056501-031	9.0°	70856-003	12.0°	70856-009
	1.5°	056501-040	5.0°	056501-032	9.5°	70856-004	12.5°	70856-010
	2.0°	056501-035	5.5°	056501-033	10.0°	70856-005	13.0°	70856-011
	2.5°	056501-036	6.0°	056501-034	10.5°	70856-006	13.5°	70856-012
	3.0°	056501-028						

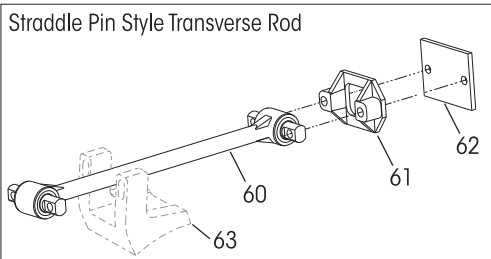
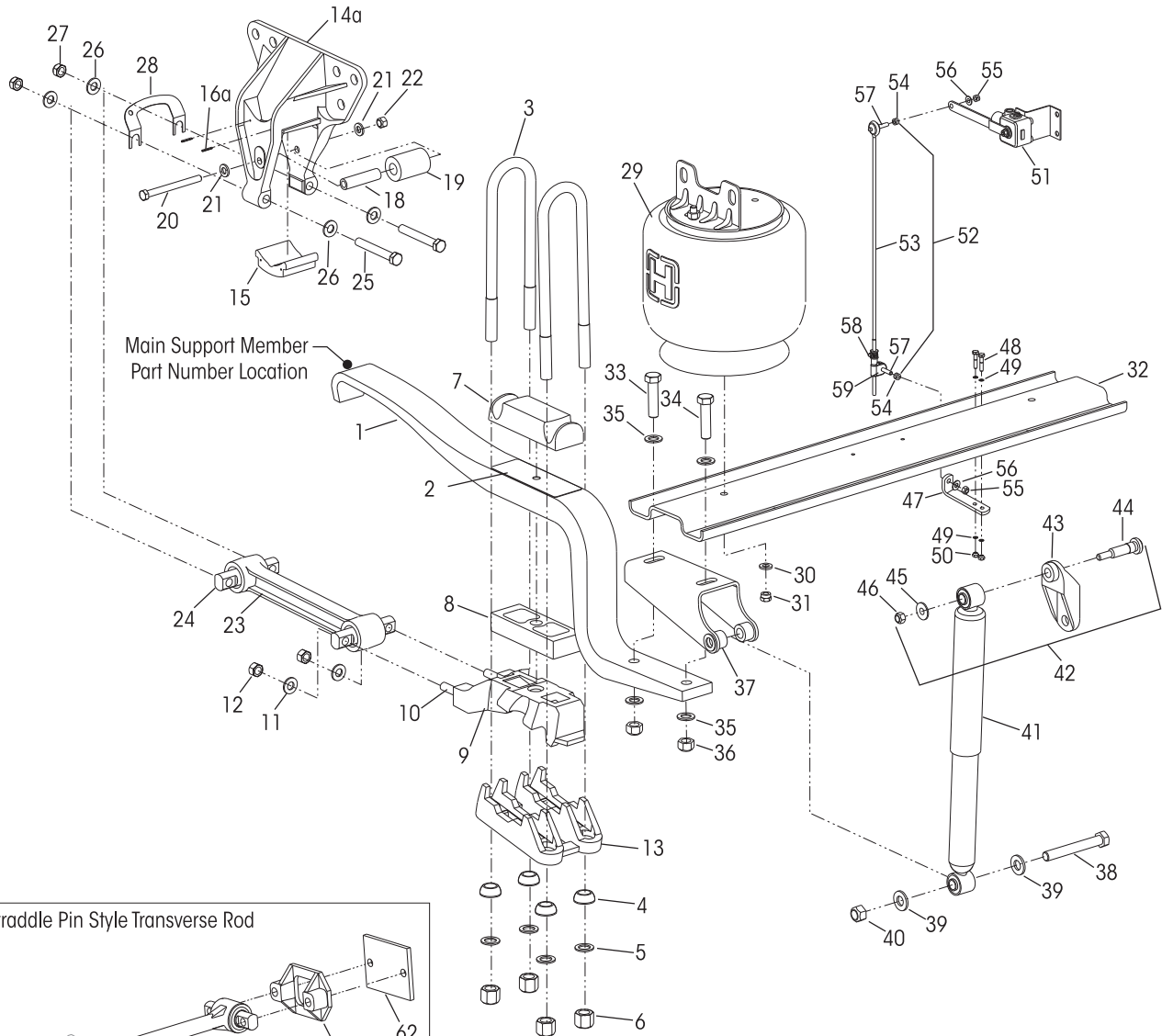
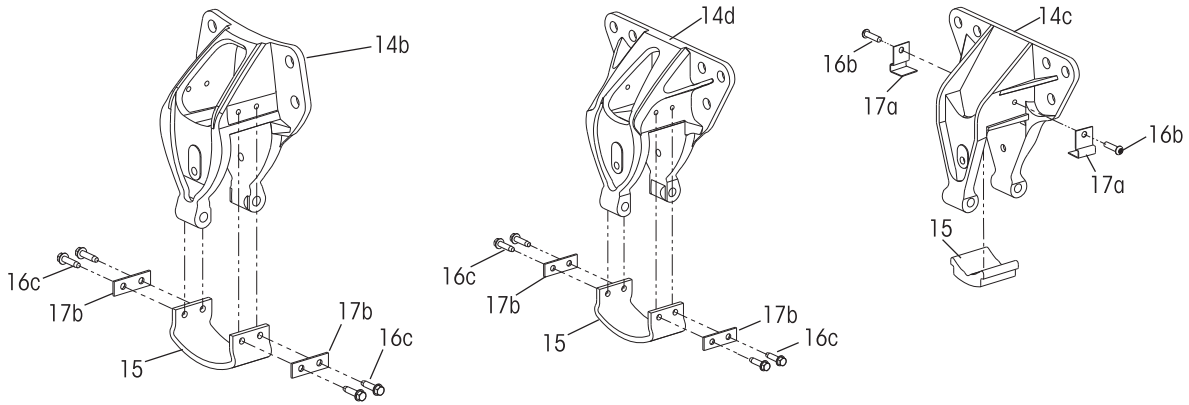


Equipped with Drum Brakes

36K • 40K • 46K Capacity



PARTS LISTS





KEY NO.	PART NO.	DESCRIPTION	VEHICLE QTY.
1		Main Support Member, Includes Key No. 2 <i>See Part No. Location on Page 240, 46K Severe Service Kit on Page 242</i>	4
	56940-000	36K, 1.75" Thickness	
	56931-000	40K Low Profile, 1.875" Thickness	
	56943-000	40K, 1.875" Thickness	
	56934-000	46K Low Profile, 2" Thickness	
	56946-000	40K, 46K, 2" Thickness	
2	47905-000	Delrin Liner	4
3		7/8"-14 UNF U-bolt, <i>see Selection Guide on Page 249</i>	8
	48718-157	U-bolt Fastener Service Kit, Two U-bolts, Includes Key Nos. 4-6	
4	48574-000	7/8" Spherical Washer	16
5	22962-002	7/8" Flat Hardened Washer	16
6		U-bolt Nut	16
	50765-000	7/8"-14 UNF Locknut	
	57347-000	7/8"-14 UNF Nylocknut	
7	56805-000	Top Pad	4
8		Spring Seat Spacer, (If Equipped)	4
	48902-000	1"	
	48903-000	1 1/2"	
9		Spring Seat Assembly, Includes Key Nos. 10-12 <i>See Selection Guide on Page 243</i>	
		Left Front, Right Front (each) 1	
		Left Rear, Right Rear (each) 1	
10	50918-000	5/8"-11 UNC Stud	8
11	22962-004	5/8" Flat Hardened Washer	8
12	47764-000	5/8"-11 UNC Locknut	8
13		Axle Bottom Cap	4
		• 40K • 46K	
		Meritor RT40/41/44-145, RT46/50, RT40-160, RT46-158; Dana 404/405/454, DSP40/41, DSH40/44, DSS40/462/463, D40/46-170	
	50216-000	LHF/RHF/LHR/RHR 0-9.5° Pinion Angle	
	50222-000	LHR/RHR 10-14° Pinion Angle	
		Meritor SSHD, RT46-157; Dana D402/403/451	
	50216-000	LHF 0-9.5° Pinion Angle	
	50217-001	RHF 0-9.5° Pinion Angle	
	50221-001	LHR 10-14° Pinion Angle	
	50222-000	RHR 10-14° Pinion Angle	
		• 40K • 46K	
		Dana D461	
	50085-000	LHF 0-9.5° Pinion Angle	
	50086-000	RHF 0-9.5° Pinion Angle	
	50095-000	LHR 10-14° Pinion Angle	
	50094-000	RHR 10-14° Pinion Angle	
14		Frame Hanger Assembly	4
a		40K • 46K, Includes Key Nos. 15-16	
	58425-001	• Standard Frame, Casting No. 57188-001, <i>Replaces 57190-001 (***) 14c) & 50752-001 (***) 14d)</i>	
	59045-003	• Standard Frame, Casting No. 59043-001	
	58688-001	• Rein. Frame, Casting No. 57476-001, <i>Replaces 57478-001 (***) 14c)</i>	
b	50753-001	36K, Includes Key Nos. 15-17 Casting No. 49848-000 or 56666-001	
		Slipper Pad Service Kit, One Hanger, <i>see Selection Guide on Page 249</i>	
15		Slipper Pad, <i>see Selection Guide on Page 249</i>	4
16		Retainer Lock Pin or Screw, <i>see Selection Guide on Page 249</i>	
a	58287-001	1" Lock Pin - 1/8" Diameter	8
b	57540-000	3/8" Button Head Screw	8
c	57306-000	3/8" Rolok Screw	16

KEY NO.	PART NO.	DESCRIPTION	VEHICLE QTY.
17		Retaining Bracket or Plate, <i>see Selection Guide on Page 249</i>	8
a	57566-000	Retaining Bracket	
b	50597-000	Retaining Plate	
	49175-013	Rebound Roller Kit, Axle Set, Includes Key Nos. 18-22	
18	57988-000	Rebound Bolt Spacer, <i>Replaces 47458-000</i>	4
19	57989-000	Rebound Roller, <i>Replaces 48883-000</i>	4
20	24531-015	1/2"-13 UNC x 5 1/2" Rebound Bolt	4
21	22962-014	1/2" Flat Hardened Washer	8
22	49846-000	1/2"-13 UNC Locknut	4
23		Longitudinal Torque Rod Assembly Includes Key No. 24	4
	48411-006	36K • 40K	
	62007-365	46K, <i>Replaces 50376-001 Torque Rod & 57256-000 Bushing</i>	
24	47691-000L	Torque Rod Bushing	8
25	32043-005	5/8"-11 UNC x 4 1/2" Bolt	8
26	22962-004	5/8" Flat Hardened Washer	16
27	47764-000	5/8"-11 UNC Locknut	8
28		Torque Rod Shim	As Req.
	49689-000L	1/16"	
	57856-000	1/32"	
29		Air Spring Assembly with Upper Frame Bracket	4
	56917-002L	40K Low Profile	
	50898-002	40K Low Profile (Kenworth only)	
	57122-002L	40K • 46K	
30	22962-014	1/2" Flat Hardened Washer	4
31	17700-010	1/2"-13 UNC Nylocknut	4
32		Cross Channel	2
		• 36K • 40K • 46K	
	57317-001	40" Dowel Pin Centers	
	57317-002	40 1/4" Dowel Pin Centers	
	57317-003	40 1/2" Dowel Pin Centers	
	57317-004	40 5/8" Dowel Pin Centers	
	57317-006	40 1/4" Dowel Pin Centers with LH HCV	
		• 40K • 46K with Rear Inboard Shock	
	57773-001	40" Dowel Pin Centers	
	57773-002	40 1/4" Dowel Pin Centers	
	57773-003	40 1/2" Dowel Pin Centers	
	57773-004	40 5/8" Dowel Pin Centers	
33		3/4"-10 UNC Bolt	4
	50764-005	36K • 40K - 3" Length	
	50764-003	40K • 46K - 3 1/2" Length	
34		3/4"-10 UNC Bolt	4
	50764-007	36K • 40K - 2 1/2" Length	
	50764-005	40K • 46K - 3" Length	
35	22962-001	3/4" Flat Hardened Washer	16
36	49842-000	3/4"-10 UNC Locknut	8
		Lower Shock Bracket Assembly, Includes Key Nos. 37-40	4
	57356-000	36K • 40K • 46K	
	49690-002	40K Low Profile	
37		Lower Shock Bracket	4
	57355-000	36K • 40K • 46K	
	49324-002	40K Low Profile	
38	50764-002	3/4"-10 UNC x 5 1/2" Bolt	4
39	22962-001	3/4" Flat Hardened Washer	8
40	49842-000	3/4"-10 UNC Locknut	4
41		Shock Absorber	4
	60670-005L	36K • 40K • 46K Standard	
	60670-007L	40K • 46K Standard Inboard Rear	
	60675-003L	Hi-Torque, <i>Replaces 57905-001</i>	
	60675-006L	40K • 46K Hi-Torque Inboard Rear	
	60670-008L	40K • 46K Low Profile	
42	57322-001	Upper Shock Bracket Assembly, Includes Key Nos. 43-46	4
43		**Upper Shock Bracket	4

PARTS LISTS



Equipped with Drum Brakes

36K • 40K • 46K Capacity

PARTS LISTS

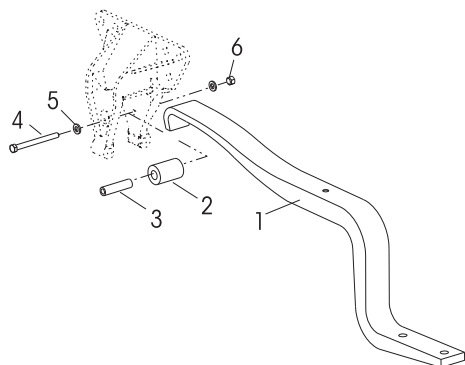
KEY NO.	PART NO.	DESCRIPTION	VEHICLE QTY.
44	50368-000	½"-13 UNC x 3¾" Serrated Shank Bolt	4
45	22962-031	½" Flat Hardened Washer	4
46	49846-000	½"-13 UNC Locknut	4
	57430-000	HCV Linkage Lower Bracket Kit, Includes Key Nos. 47-50	
47	56789-000	HCV Linkage Bracket	1
48	56935-001	¼"-20 UNC x 1" Bolt, <i>Replaces 56935-002</i>	2
49	22962-028	¼" Flat Hardened Washer	4
50	49983-000	¼"-20 UNC Locknut	2
51	57977-000	Height Control Valve	1
52	58994-XXX	HCV Linkage Assembly, Specify Length, <i>contact Hendrickson for Part Number,</i> Includes Key Nos. 53-59	1
53		**Linkage Rod, Specify Length	1

KEY NO.	PART NO.	DESCRIPTION	VEHICLE QTY.
54		**5/16"-18 UNC Jam Nut	2
55		**5/16"-18 UNC Locknut	2
56		**5/16" Flat Hardened Washer	2
57		**5/16"-18 UNC Stud	2
58		**Linkage Rod Clamp	1
59		**Adjustable Linkage Rod Joint	1
60	60218-000	**** Two-Piece Transverse Torque Rod Kit, Includes Bushings	2
61	22186-000	Transverse Torque Rod Frame Bracket	2
62	45045-003	Back up Plate	2
63		*Transverse Torque Rod Axle Bracket	2
Not Shown	70867-001	P-80 Lubricant - 10 ml	Per Bushing

■ HAS 46K Severe Service Kit

Severe Service Kit | Axle Set
No. 49175-024

Reference Lit. No. SEU-0103



KEY NO.	PART NO.	DESCRIPTION	VEHICLE QTY.
		Axle Set, Includes Key Nos. 1-6, Frame Hanger not included	
1	59597-000	Main Support Member	2
2	59598-000	Rebound Roller	2
3	57988-000	Rebound Spacer	2
4	24531-015	½"-13 UNC x 5½" Rebound Bolt	2
5	22962-014	½" Flat Hardened Washer	4
6	49846-000	½"-13 UNC Locknut	2

NOTES: * Not supplied by Hendrickson, used for reference only. Hendrickson is not responsible for components supplied by the vehicle manufacturer. For assistance with maintenance and rebuild instructions on these components see vehicle manufacturer.

** Item included in kit/assembly only, part not sold separately.

*** These frame hangers are obsolete, although replacement slipper pads and hardware are currently still available.

**** Transverse torque rods are mandatory for the HAS suspensions regardless of axle spacing, see Literature No. 59310-004 and 59310-058 for more information.

Hendrickson HAS AIR Ride Height Gauges can be obtained on-line at www.hendrickson-intl.com/Litform

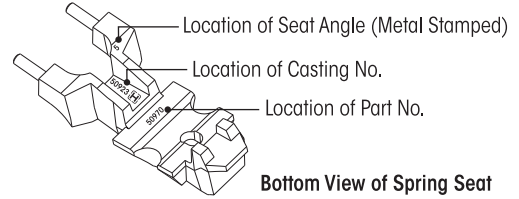
- Literature number 45745-106 – Unloaded Vehicles
- Literature number 45745-050 – Loaded Vehicles



■ HAS Tandem • HAS 40K LH Spring Seat Selection Guide

Equipped with Drum Brakes

Include fasteners. Total of four (4) spring seats are required per tandem. One of each located at the left/right front, and left/right rear.



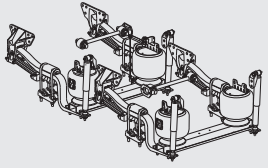
Key No. 9
Page 241, 245

		Left Front		Right Front				
		Dana D341/402/403/404/ 405/454, DSP40/41 DSH40/44 DSS40/462/463 D40/46-170	Dana D461	Dana 404/405/454, DSP40/41, DSH40/44 DSS40/462/463 D40/46-170	Dana D341/402/403		Dana D461	
		Meritor SL100/SQ100, SQHD RT40/41/44-145 RT46/50-160 RT40-160 RT46-157/158,SSHD		Meritor RS21-145/160 RS23-160/161 RT40/41/44-145 RT46/50-160 RT40-160, RT46-158	Meritor SL100/SQ100,SQHF	Meritor RT46-157, SSHD		
SPRING SEATS	Casting No.	50923-000	50986-000	50923-000	50974-000	50974-000	50992-000	
	Seat Angle	Part Number		Part Number				
	2°	50970-001	50988-001	50970-001	50976-001	50976-012	50994-001	
	2.5°	50970-002	50988-002	50970-002	50976-002	50976-016	50994-002	
	3°	50970-003	50988-003	50970-003	50976-003	50976-013	50994-003	
	3.5°	50970-004	50988-004	50970-004	50976-004	50976-017	50994-004	
	4°	50970-005	50988-005	50970-005	50976-005	50976-014	50994-005	
	4.5°	50970-006	50988-006	50970-006	50976-006	50976-018	50994-006	
	5°	50970-007	50988-007	50970-007	50976-007		50994-007	
	5.5°	50970-008	50988-008	50970-008	50976-008		50994-008	
	6°	50970-009	50988-009	50970-009			50994-009	
	6.5°	50970-010	50988-010	50970-010	50976-010		50994-010	
			Left Rear			Right Rear		
			Dana 404/405/454 DSP40/41, DSH40/44 DSS40/462/463 D40/46-170	Dana D341/402/403		Dana D461	Dana D341/402/403/404/ 405/454, DSP40/41 DSH40/44 DSS40/462/463 D40/46-170	Dana D461
			Meritor RT40/41/44-145 RT46/50-160 RT40-160, RT46-158	Meritor SL100/SQ100, SQHP	Meritor RT46-157, SSHD		Meritor SL100/SQ100,SQHD RT40/41/44-145 RT46/50-160 RT40-160 RT46-157/158,SSHD	
SPRING SEATS	Casting No.	50971-000	50977-000	50977-000	50995-000	50971-000	50989-000	
	Seat Angle	Part Number			Part Number			
	5°	50973-011	50979-011	50979-013	50997-011	50973-011	50991-011	
	6.5°	50973-012	50979-012		50997-012	50973-012	50991-012	
	7.5°	50973-013	50979-014			50973-013		
	8°	50973-001	50979-001		50997-001	50973-001	50991-001	
	8.5°	50973-002	50979-002		50997-002	50973-002	50991-002	
	9°	50973-003	50979-003		50997-003	50973-003	50991-003	
	9.5°	50973-004	50979-004		50997-004	50973-004	50991-004	
	10°	50973-005	50979-005		50997-005	50973-005	50991-005	
	10.5°	50973-006	50979-006	50979-020	50997-006	50973-006	50991-006	
	11°	50973-007	50979-007		50997-007	50973-007	50991-007	
	11.5°	50973-008	50979-008	50979-019	50997-008	50973-008	50991-008	
	12°	50973-009	50979-009		50997-009	50973-009	50991-009	
	12.5°	50973-010	50979-010	50979-015	50997-010	50973-010	50991-010	
13°	50973-015	50979-017		50997-013	50973-015	50991-013		
13.5°	50973-014	50979-018	50979-016		50973-014			
14°	50973-016				50973-016			

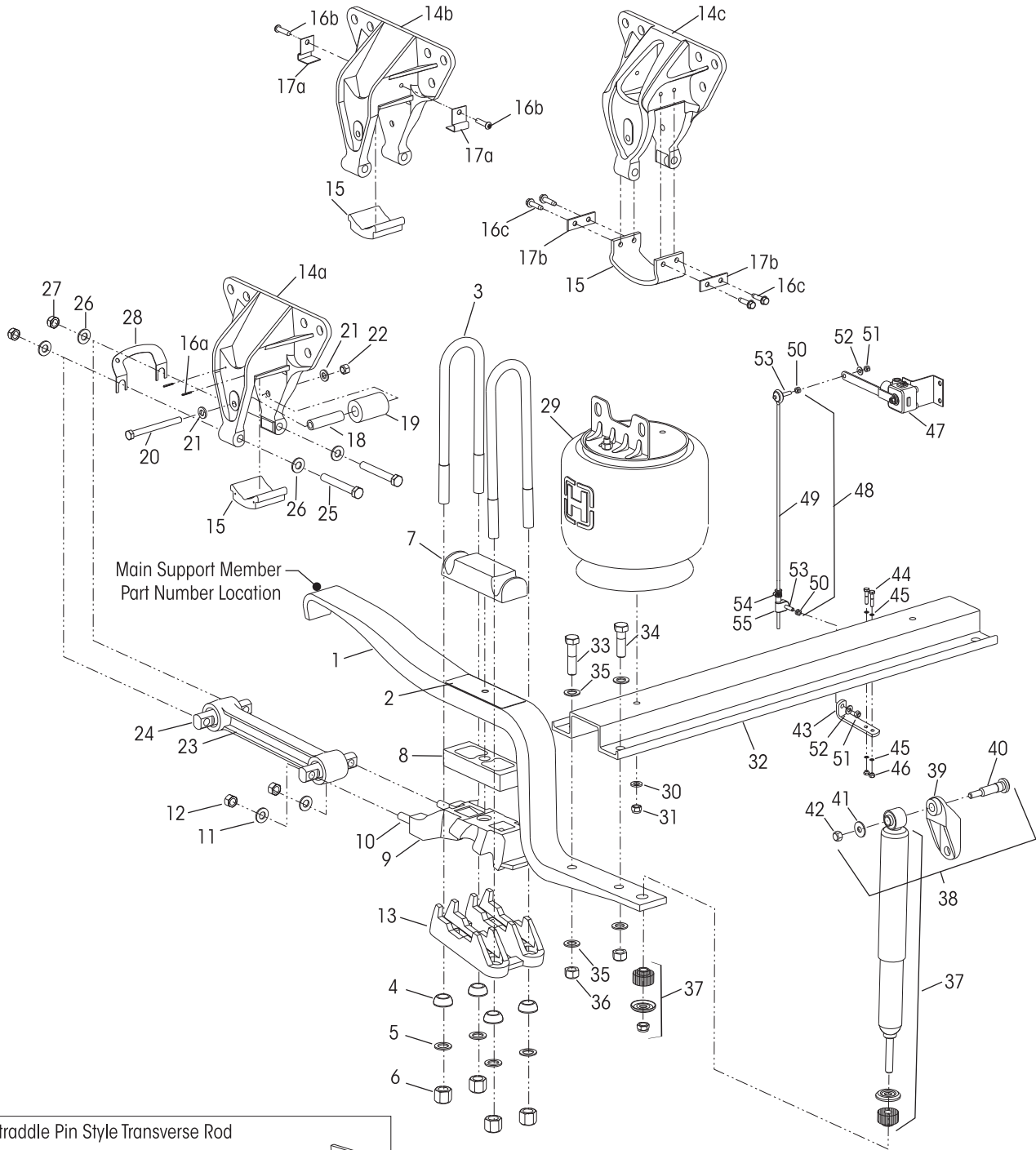
PARTS LISTS



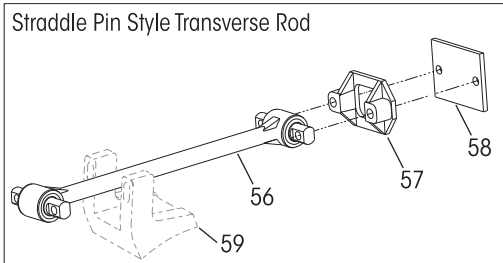
Equipped with Drum Brakes



PARTS LISTS



Main Support Member
Part Number Location





KEY NO.	PART NO.	DESCRIPTION	VEHICLE QTY.
1		Main Support Member, <i>see Part No. Location on Page 244</i>	4
	57217-000	Includes Key No. 2	
	60262-000	Mack only	
2	47905-000	Delrin Liner	4
3		¾"-16 UNF U-bolt, <i>see Selection Guide on Page 249</i>	8
	48718-158	U-bolt Fastener Service Kit, Two U-bolts, Includes Key Nos. 4-6	
4	49947-000	¾" Spherical Washer	16
5	22962-001	¾" Flat Hardened Washer	16
6	49685-000	¾"-16 UNF Locknut	16
7	56805-000	Top Pad, <i>Replaces 57195-000</i>	4
8		Spring Seat Spacer (If Equipped)	4
	48902-000	1"	
	48903-000	1½"	
9		Spring Seat Assembly, Includes Key Nos. 10-12 <i>See Selection Guide on Page 243</i>	
		Left Front, Right Front (each) 1	
		Left Rear, Right Rear (each) 1	
10	50918-000	⅝"-11 UNC Stud	8
11	22962-004	⅝" Flat Hardened Washer	8
12	47764-000	⅝"-11 UNC Locknut	8
13		Axle Bottom Cap	4
		Meritor RT40/41/44-145, RT46/50, RT40-160; RT46-158; Dana 404/405/454, DSP40/41, DSH40/44, DSS40/462/463, D40/46-170	
	57198-000	LHF/RHF/LHR/RHR 0-9.5° Pinion Angle	
	57200-000	LHR/RHR 10-14° Pinion Angle	
		Dana D402/403/451	
	57198-000	LHF 0-9.5° Pinion Angle	
	57197-000	RHF 0-9.5° Pinion Angle	
	57200-000	LHR 10-14° Pinion Angle	
	57199-000	RHR 10-14° Pinion Angle	
14a		Frame Hanger Assembly, Includes Key Nos. 15-16 4	
	58425-001	• Standard Frame Casting No. 57188-001, <i>Replaces 57190-001 (**14b) & 50752-001 (**14c)</i>	
	58688-001	• Rein. Frame, Casting No. 57476-001, <i>Replaces 57478-001 (**14b)</i>	
		Slipper Pad Service Kit, One Hanger, <i>see Selection Guide on Page 249</i>	
15		Slipper Pad, <i>see Selection Guide on Page 249</i>	4
16		Retainer Lock Pin or Screw, <i>see Selection Guide on Page 249</i>	
	a 58287-001	1" Lock Pin - ⅛" Diameter	8
	b 57540-000	⅜" Button Head Screw	8
	c 57306-000	⅜" Rolok Screw	16
17		Retaining Bracket or Plate, <i>see Selection Guide on Page 249</i>	
	a 57566-000	Retaining Bracket	8
	b 50597-000	Retaining Plate	8
	49175-013	Rebound Roller Kit, Axle Set, Includes Key Nos. 18-22	

KEY NO.	PART NO.	DESCRIPTION	VEHICLE QTY.
18	57988-000	Rebound Bolt Spacer, <i>Replaces 47458-000</i>	4
19	57989-000	Rebound Roller, <i>Replaces 48883-000</i>	4
20	24531-015	½"-13 UNC x 5½" Rebound Bolt	4
21	22962-014	½" Flat Hardened Washer	8
22	49846-000	½"-13 UNC Locknut	4
23	48411-006	Longitudinal Torque Rod Assembly Includes Key No. 24	4
24	47691-000L	Torque Rod Bushing	8
25	32043-005	⅝"-11 UNC x 4½" Bolt	8
26	22962-004	⅝" Flat Hardened Washer	16
27	47764-000	⅝"-11 UNC Locknut	8
28		Torque Rod Shim	As Req.
	49689-000L	⅛"	
	57856-000	⅜"	
29	50898-002L	Air Spring Assembly with Upper Frame Bracket	4
30	22962-014	½" Flat Hardened Washer	4
31	17700-010	½"-13 UNC Nylocknut	4
32	57192-001	Cross Channel, 40" Dowel Pin Centers	2
33	50764-002	¾"-10 UNC x 5½" Bolt	4
34	50764-005	¾"-10 UNC x 3" Bolt	4
35	22962-001	¾" Flat Hardened Washer	8
36	49842-000	¾"-10 UNC Locknut	8
37		Shock Absorber	4
	60680-001L	Standard	
	60685-001L	Hi-Torque	
38	57322-001	Upper Shock Bracket Assembly, Includes Key Nos. 39-42	4
39		**Upper Shock Bracket	4
40	50368-000	½"-13 UNC x 3¾" Serrated Shank Bolt	4
41	22962-031	½" Flat Hardened Washer	4
42	49846-000	½"-13 UNC Locknut	4
	57430-000	HCV Linkage Lower Bracket Kit, Includes Key Nos. 43-46	
43	56789-000	HCV Linkage Bracket	1
44	56935-001	¼"-20 UNC x 1" Bolt, <i>Replaces 56935-002</i>	2
45	22962-028	¼" Flat Hardened Washer	4
46	49983-000	¼"-20 UNC Locknut	2
47	57977-000	Height Control Valve,	1
48	58994-XXX	HCV Linkage Assembly, Specify Length, <i>contact Hendrickson for Part Number,</i> Includes Key Nos. 49-55	1
49		**Linkage Rod, Specify Length	1
50		**⅝"-18 UNC Jam Nut	2
51		**⅝"-18 UNC Locknut	2
52		**⅝"-18 Flat Hardened Washer	2
53		**⅝"-18 UNC Stud	2
54		**Linkage Rod Clamp	1
55		**Adjustable Linkage Rod Joint	1
56	60218-000	**** Two-Piece Transverse Torque Rod Kit, Includes Bushings	2
57	22186-000	Transverse Torque Rod Frame Bracket	2
58	45045-003	Back up Plate	2
59		*Transverse Torque Rod Axle Bracket	2
Not Shown	70867-001	P-80 Lubricant - 10 ml	Per Bushing

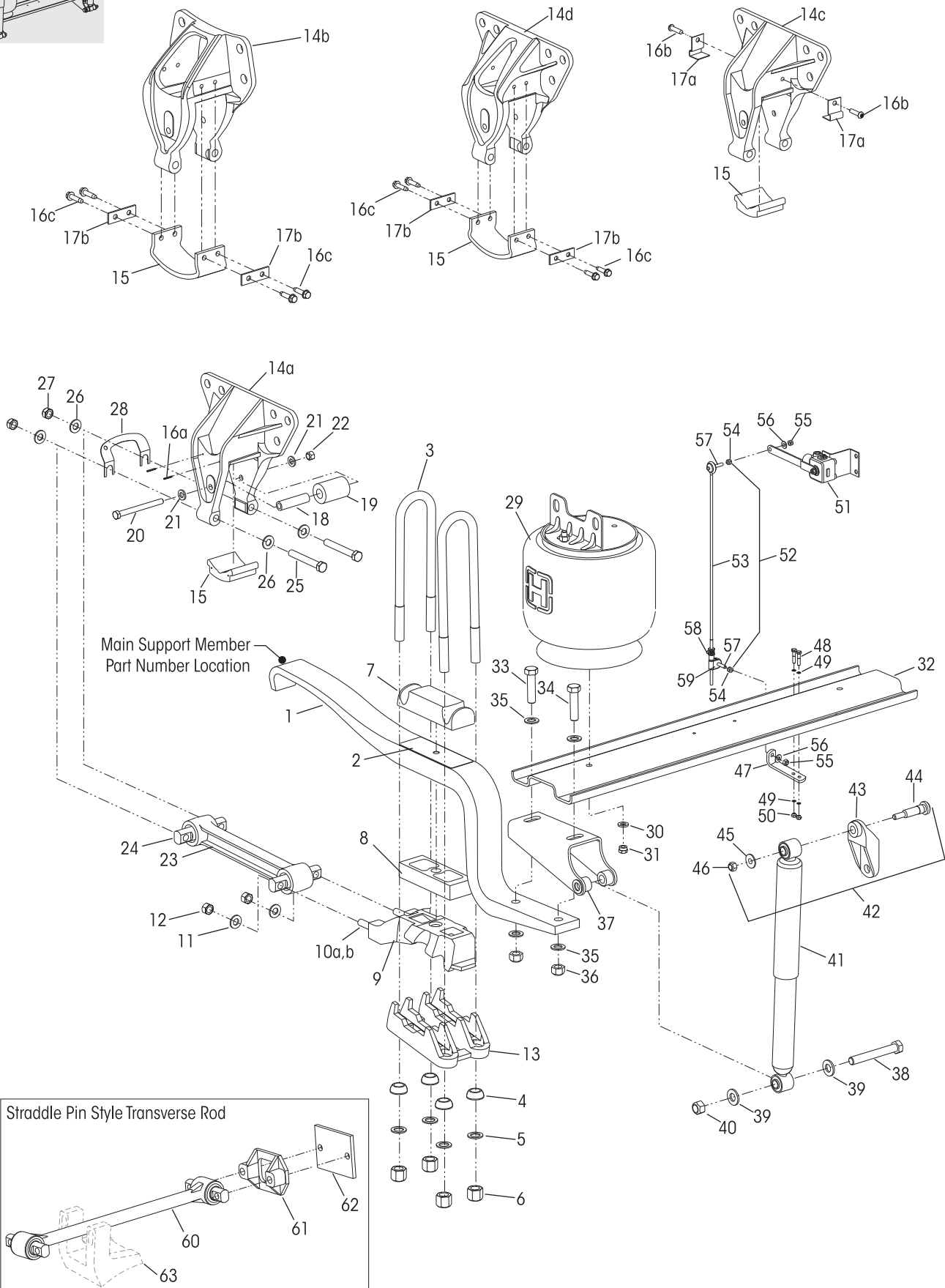
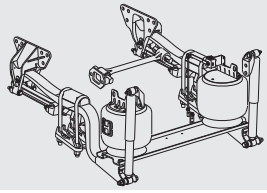
PARTS LISTS



Equipped with Drum Brakes

12K • 15K • 19K • 21K • 23K Capacity

PARTS LISTS





VEHICLE			VEHICLE				
KEY NO.	PART NO.	DESCRIPTION	QTY.	KEY NO.	PART NO.	DESCRIPTION	QTY.
1		Main Support Member, Includes Key No. 2 <i>See Part No. Location on Page 246</i>	2			12K • 15K • 19K, Includes Key Nos. 15-17 Casting No. 49848-000 or 56666-001 Casting No. 60634-001 • Standard Frame, Casting No. 59043-001	
	56925-000	12K Low Profile/15K Low Profile		b	50753-001		
	56937-000	12K/15K			60636-001		
	56928-000	19K Low Profile			59045-003		
	56940-000	19K					
	56931-000	21K Low Profile					
	56943-000	21K					
	56934-000	23K Low Profile					
	56946-000	23K					
2	47905-000	Delrin Liner	2			Slipper Pad Service Kit, One Hanger, <i>see Selection Guide on Page 249</i>	
3		U-bolt, <i>see Selection Guide on Page 249</i>	4	15		Slipper Pad, <i>see Selection Guide on Page 249</i>	2
		¾"-16 UNF - 12K • 15K		16		Retainer Lock Pin or Screw, <i>see Selection Guide on Page 249</i>	
		⅞"-14 UNF - 19K • 21K • 23K		a	58287-001	1" Lock Pin - ⅛" Diameter	4
		U-bolt Fastener Service Kit, Two U-bolts, Includes Key Nos. 4-6		b	57540-000	⅜" Button Head Screw	4
	48718-158	¾" - 12K • 15K		c	57306-000	⅜" Rolok Screw	8
	48718-157	⅞" - 19K • 21K • 23K		17		Retaining Bracket or Plate, <i>see Selection Guide on Page 249</i>	4
4		Spherical Washer	8	a	57566-000	Retaining Bracket	
	49947-000	¾" - 12K • 15K		b	50597-000	Retaining Plate	
	48574-000	⅞" - 19K • 21K • 23K			49175-014	Rebound Roller Kit, Axle Set, Includes Key Nos. 18-22	
5		Flat Hardened Washer	8	18	57988-000	Rebound Bolt Spacer, <i>Replaces 47458-000</i>	2
	22962-001	¾" - 12K • 15K		19	57989-000	Rebound Roller, <i>Replaces 48883-000</i>	2
	22962-002	⅞" - 19K • 21K • 23K		20	24531-015	½"-13 UNC x 5½" Rebound Bolt	2
6		U-bolt Nut	8	21	22962-014	½" Flat Hardened Washer	4
	49685-000	¾"-16 UNF Locknut - 12K • 15K		22	49846-000	½"-13 UNC Locknut	2
	50765-000	⅞"-14 UNF Locknut - 19K • 21K • 23K		23		Longitudinal Torque Rod Assembly Includes Key No. 24	2
	57347-000	⅞"-14 UNF Nylocknut - 19K • 21K • 23K			48411-006	12K • 15K • 19K	
7		Top Pad	2		62007-365	23K, <i>Replaces Torque Rod 50376-001 & Bushing 57256-000</i>	
	57224-000	12K • 15K		24	47691-000L	Torque Rod Bushing	4
	56805-000	19K • 21K • 23K		25	32043-005	⅝"-11 UNC x 4½" Bolt	4
8		Spring Seat Spacer (If equipped)	2	26	22962-004	⅝" Flat Hardened Washer	8
	48531-009	1", 12K • 15K - 6¼" length		27	47764-000	⅝"-11 UNC Locknut	4
	48902-000	1", 19K • 21K • 23K - 7¾" length		28		Torque Rod Shim As Req.	
	48903-000	1½", 19K • 21K • 23K - 7¾" length			49689-000L	⅛"	
9		Spring Seat Assembly, Includes Key Nos. 10-12 <i>See Selection Guide on Page 248</i>	2		57856-000	⅓"	
10a	50918-000	⅝"-11 UNC x 4" Stud for Part Nos. 50970-XXX & 50988-XXX	4	29		Air Spring Assembly with Upper Frame Bracket Includes Key No. 24	2
					57920-002L	12K Low Profile	
b	32043-005	⅝"-11 UNC x 4½" Hex Bolt for Part Nos. 57033-XXX & 59795-XXX	4		56917-002L	15K Low Profile • 19K Low Profile • 21K Low Profile • 23K Low Profile 19K • 21K • 23K	
11		⅝" Flat Hardened Washer	4		57122-002L		
a	22962-004	for Part Nos. 50970-XXX & 50988-XXX		30	22962-014	½" Flat Hardened Washer	2
b	22962-025	for Part Nos. 57033-XXX & 59795-XXX		31	17700-010	½"-13 UNC Nylocknut	2
12	47764-000	⅝"-11 UNC Locknut	4	32		Cross Channel • 12K	1
13		Axle Bottom Cap	2		57855-001	40" Dowel Pin Centers	
		Meritor RS13-120, RS15-120, RS15-210 LHF/RHF 0-5° Pinion Angle			57855-002	40¼" Dowel Pin Centers	
	57024-000	• 19K • 21K • 23K			57855-003	40½" Dowel Pin Centers	
		Meritor RS21-145, RS21-160, RS23-160/161; Dana 19060/21060/21080/21090/23090/ 26090, S21/23/26-170/190			57855-004	40⅞" Dowel Pin Centers • 15K • 19K • 21K • 23K	
	50216-000	LHF/RHF 0-9.5° Pinion Angle			57317-001	40" Dowel Pin Centers	
		• 23K			57317-002	40¼" Dowel Pin Centers	
		Dana 23080/23105/26015			57317-003	40½" Dowel Pin Centers	
	50085-000	LHF 0-9.5° Pinion Angle			57317-004	40⅞" Dowel Pin Centers	
	50086-000	RHF 0-9.5° Pinion Angle			57317-006	40¼" Dowel Pin Centers with LH HCV	
	50095-000	LHR 10-14° Pinion Angle		33		¾"-10 UNC Bolt	2
	50094-000	RHR 10-14° Pinion Angle			50764-005	12K • 15K • 19K • 21K - 3" Length	
					50764-003	23K - 3½" Length	
14		Front Frame Hanger Assembly,	2	34		¾"-10 UNC Bolt	2
		21K • 23K, Includes Key Nos. 15-16			50764-007	12K • 15K • 19K • 21K - 2½" Length	
a	58425-001	• Standard Frame, Casting No. 57188-001, <i>Replaces 57190-001 (**14c) & 50752-001 (**14d)</i>			50764-005	23K - 3" Length	
	58688-001	• Rein. Frame, Casting No. 57476-001, <i>Replaces 57478-001 (**14c)</i>		35	22962-001	¾" Flat Hardened Washer	8
				36	49842-000	¾"-10 UNC Locknut	4
						Lower Shock Bracket Assembly Includes Key Nos. 37-40	2
					49690-002	12K Low Profile • 15K Low Profile • 19K Low Profile • 21K Low Profile • 23K Low Profile	
					57356-000	19K • 21K • 23K	



Equipped with Drum Brakes

12K • 15K • 19K • 21K • 23K Capacity

PARTS LISTS

KEY NO.	PART NO.	DESCRIPTION	VEHICLE QTY.	KEY NO.	PART NO.	DESCRIPTION	VEHICLE QTY.
37		Lower Shock Bracket	2	47	56789-000	HCV Linkage Bracket	1
	49324-002	12K Low Profile • 15K Low Profile • 19K Low Profile • 21K Low Profile • 23K Low Profile		48	56935-001	¼"-20 UNC x 1" Bolt, <i>Replaces 56935-002</i>	2
	57355-000	19K • 21K • 23K		49	22962-028	¼" Flat Hardened Washer	4
38	50764-002	¾"-10 UNC x 5½" Bolt	2	50	49983-000	¼"-20 UNC Locknut	2
39	22962-001	¾" Flat Hardened Washer	4	51	57977-000	Height Control Valve,	1
40	49842-000	¾"-10 UNC Locknut	2	52	58994-XXX	HCV Linkage Assembly, Specify Length, <i>contact Hendrickson for Part Number, Includes Key Nos. 53-59</i>	1
41		Shock Absorber	2	53		**Linkage Rod, Specify Length	1
	60670-005L	19K • 21K • 23K Standard		54		**⅝"-18 UNC Jam Nut	2
	60675-003L	Hi-Torque, <i>Replaces 57905-001</i>		55		**⅝"-18 UNC Locknut	2
	60670-010L	12K Low Profile		56		**⅝" Flat Hardened Washer	2
	60670-003L	15K Low Profile		57		**⅝"-18 UNC Stud	2
	60670-008L	19K Low Profile • 21K Low Profile • 23K Low Profile		58		**Linkage Rod Clamp	1
42	57322-001	Upper Shock Bracket Assembly, Includes Key Nos. 43-46	2	59		**Adjustable Linkage Rod Joint	1
43		**Upper Shock Bracket	2	60	60218-000	****Two-Piece Transverse Torque Rod Kit, Includes Bushings	1
44	50368-000	½"-13 UNC x 3¾" Serrated Shank Bolt	2	61	22186-000	Transverse Torque Rod Frame Bracket	1
45	22962-031	½" Flat Hardened Washer	2	62	45045-003	Back up Plate	1
46	49846-000	½"-13 UNC Locknut	2	63		*Transverse Torque Rod Axle Bracket	1
	57430-000	HCV Linkage Lower Bracket Kit, Includes Key Nos. 47-50		Not Shown	70867-001	P-80 Lubricant - 10 ml	Per Bushing

■ HAS Single Spring Seat Selection Guide

Equipped with Drum Brakes – Includes fasteners, total of two (2) spring seats required per single suspension. One of each at the left front and right front location.

Key No. 9 Page 247	Left • Right				
	Dana 19060/21060/21080/ 21090/23090/26090, S21/23/26-170 /190 Meritor RS21-145/160, RS23-160/161	Dana 23080/23105/26015	Meritor RS13-120, RS15-120, RS15-210	Meritor RS13-120, RS15-120, RS15-210	
SPRING SEAT	Castling No.	50923-000	50986-000	57021-000	59793-000
	Seat Angle	Part Number			
	2°	50970-001	50988-001		
	2.5°	50970-002	50988-002	57033-002	
	3°	50970-003	50988-003	57033-003	59795-001
	3.5°	50970-004	50988-004		
	4°	50970-005	50988-005	57033-005	59795-002
	4.5°	50970-006	50988-006		
	5°	50970-007	50988-007		
	5.5°	50970-008	50988-008		
	6°	50970-009	50988-009		
6.5°	50970-010	50988-010			
7°	50970-011	50988-011			



■ Selection Guides

U-BOLT	<p>Approximate location for stamped part number</p>	19K • 21K • 23K • 36K • 40K • 46K			12K • 15K • 40KLH				
		¾"-14 UNF 2A U-bolt		¾" U-bolt Fastener Kit	¾"-16 UNF 2A U-bolt		¾" U-bolt Fastener Kit		
		Part Number	Length A		Thread Length B	Part Number		Length A	Thread Length B
		47417-001	16¼"	4"	♦48718-157	49684-001	14"	4"	♦48718-158
		47417-002	13"			49684-002	15"		
		47417-003	17½"			49684-003	15½"		
		47417-004	17¼"			49684-008	18"		
		47417-005	16¾"			49684-011	12½"		
		47417-006	14"			49684-012	12"		
		47417-007	15"			49684-013	13"		
		47417-008	15½"			49684-014	16"		
		47417-009	18"			49684-015	17"		
		47417-010	19"			49684-016	19"		

♦ U-bolt fastener kit includes four (4) of each - spherical washer, hardened washer and locknut. Two (2) kits per axle or four (4) kits per tandem will be required to do a replacement.

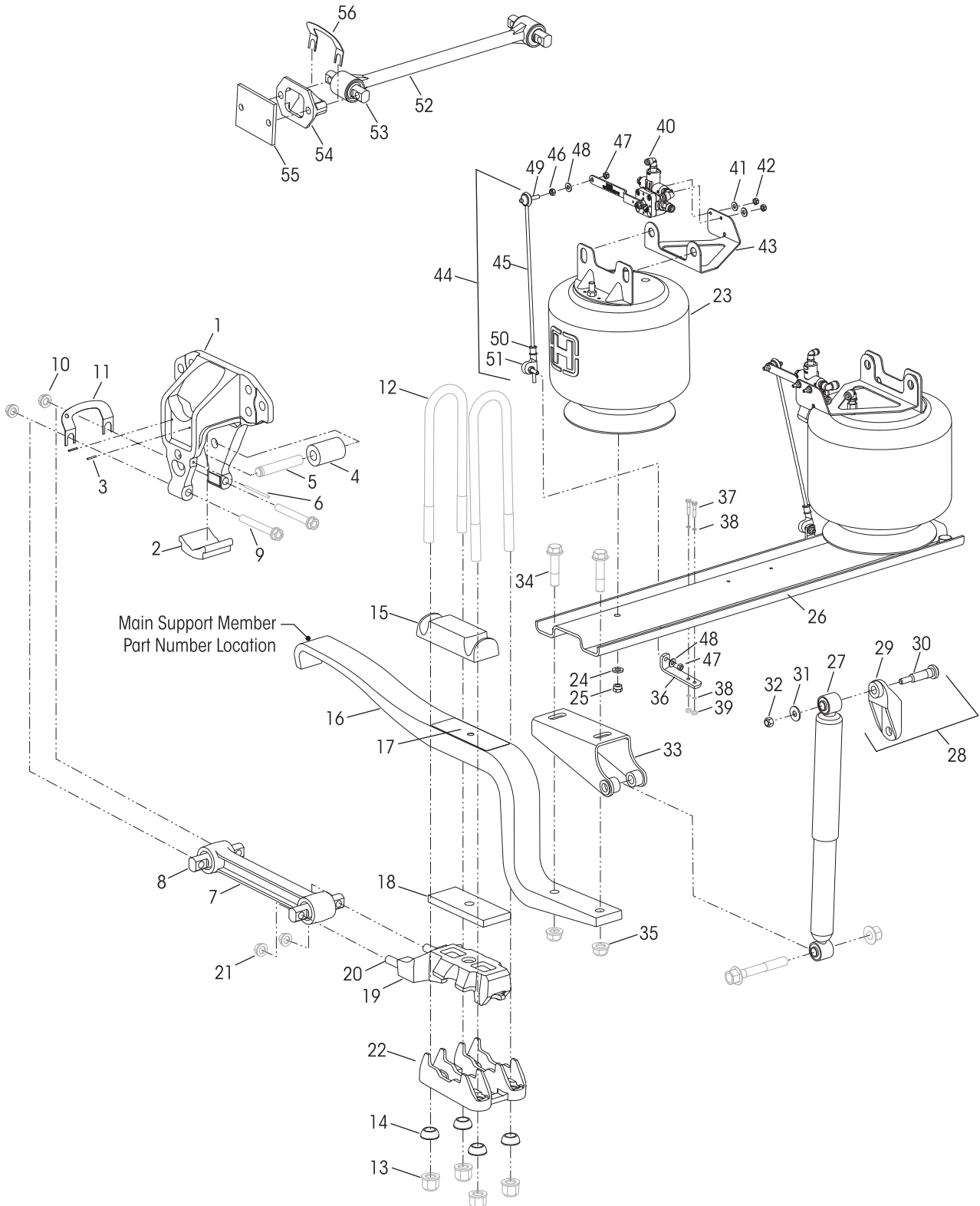
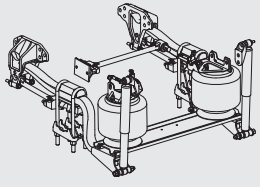
PARTS LISTS

HANGER SLIPPER PAD	Slipper Pad Service Kits		Hangers	
	Kit No. 56557-002		Casting No.	Part Number
	Kit Includes: • 1 Slipper Pad • 2 Retaining Plates • 4 Self Tapping Screws Slipper Pad Part No. 50612-000 		49676-000 49676-000 49848-000 56666-001 56669-001 56669-001 56885-001	50849-56552-50027-001 50753-001 56670-50752-56887-000
	Kit No. 56557-004		Casting No.	Part Number
	Kit Includes: • 1 Slipper Pad • 2 Retaining Brackets • 2 Self Tapping Screws Slipper Pad Part No. 56929-000 		57188-001 57476-001	57190-57478-
	Kit No. 56557-005		Casting No.	Part Number
Kit Includes: • 1 Slipper Pad • 2 Slotted Spring Pins Slipper Pad Part No. 56929-000 	57188-001 57476-001 57543-001 58659-001 59043-001 59747-001		58425-58688-57544-58661-001 59045-59768-	
Kit No. 56557-006		Casting No.	Part Number	
Kit Includes: • 1 Slipper Pad • 2 Roll Pins Slipper Pad Part No. 58959-000 		♦♦59050-001	♦♦59052-002	
		♦♦Part number no longer in production, contact Hendrickson Truck Parts for available option.		



12K • 19K • 21K • 23K Capacity

PARTS LISTS



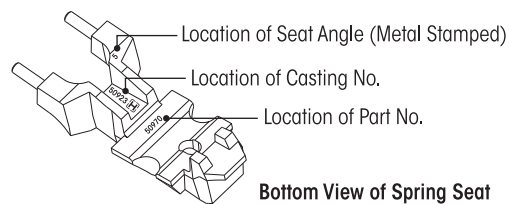


KEY NO.	PART NO.	DESCRIPTION	VEHICLE QTY.	KEY NO.	PART NO.	DESCRIPTION	VEHICLE QTY.
1	58425-007	Frame Hanger Assembly, Includes Key Nos. 2-3	2	27		Shock Absorber, HI-TORQUE™	2
	56557-005	Slipper Pad Service Kit, One Hanger, Includes Key Nos. 2-3			60670-011L	8.8" Ride Height	
2	56929-000	Slipper Pad	2		60670-012	7.8" • 9.6" Ride Height	
3	58287-001	Slotted Spring Pin, 1" Lock Pin - 1/8" Diameter	4	28	76865-001	Upper Shock Bracket Assembly, Includes Key Nos. 29-30	2
4	57989-000	Rebound Roller	2	29		**Upper Shock Bracket	2
5		*Rebound Roller Spacer	2	30		**1/2"-13 UNC Serrated Shank Bolt	2
6		*Rebound Pin	2	31	22962-049	1/2" Flat Hardened Washer	2
7	62007-365	Longitudinal Torque Rod Assembly Includes Key No. 8	2	32	49846-001	1/2"-13 UNC Locknut	2
8	47691-000L	Torque Rod Bushing	4	33	57355-000	Lower Shock Bracket	2
9		*5/8"-11 UNC x 5" Flange Bolt	4	34		*3/4"-10 UNC x 3/4" Flange Bolt	4
10		*5/8"-11 UNC Flange Locknut	4	35		*3/4" Flange Locknut	4
11	49689-000L	1/16" Torque Rod Shim As Req.	4	36	56789-000	HCV Linkage Lower Bracket	2
12		*7/8"-14 UNF U-bolt	4	37		*M6 x 25 mm Bolt	4
13		*7/8" U-bolt Flange Nut	8	38		*M6 Flat Hardened Washer	8
14	48574-000	7/8" Spherical Washer	8	39		*M6 Locknut	4
15	56805-000	Top Pad	2	40		Height Control Valve	
16		Main Support Member, Includes Key No. 17	2		60501-003	Left Hand	1
	56928-000	1 3/4" - 19K Low Profile			60501-002	Right Hand	1
	56937-000	1 1/2" - 12K		41	22962-028	1/4" Flat Washer	4
	56940-000	1 3/4" - 19K		42	49983-000	1/4"-20 UNC Hex Nut	4
	56943-000	1 7/8" - 21K		43		Height Control Valve Mounting Bracket	
	56946-000	2" - 23K			75837-001	Left Hand	1
17	47905-000	Delrin Liner	2		75837-002	Right Hand	1
18		Spring Seat Spacer	2	44		HCV Linkage Assembly Kit, Includes Key Nos. 45-51	2
	48531-007	15.9 mm			76866-001	8.8" Ride Height	
	48531-006	19.1 mm			76866-009	7.8" • 9.6" Ride Height	
	48531-010	50.8 mm		45		**Linkage Rod	2
19		Spring Seat Assembly, Includes Key No. 20 See Table 1 below	2	46		**5/16"-18 UNC Jam Nut	2
20	50918-000	5/8"-11 UNC Stud	4	47		**5/16"-18 UNC Locknut	4
21		*5/8"-11 UNC Flange Locknut	4	48		**5/16" Flat Hardened Washer	4
22	70821-000	Axle Bottom Cap	2	49		**5/16"-18 UNC Stud	4
23		Air Spring Assembly with Upper Frame Bracket	2	50		**Linkage Rod Clamp	2
	76861-002	8.8" Ride Height		51		**Adjustable Linkage Rod Joint	2
	76940-002	7.8" • 9.6" Ride Height		52		***Transverse Torque Rod, Straddle/Straddle Include Bushings	1
	49177-006	Air Spring Fastener Service Kit, Axle Set, Includes Key Nos. 24-25			62000-575	21K • 23K use with Dana 21060S Axle	
24		**1/2" Flat Hardened Washer	2		62000-595	12K • 19K use with Meritor S140 Axle	
25		**1/2"-13 UNC Nylocknut	2			21K • 23K use with Dana 21065T Axle	
26		Cross Channel, 40 1/2" Dowel Pin Centers	1		62000-615	23K use with Meritor S170 Axle	
	57317-003	Non-reinforced Frame Rail		53	47691-000L	Torque Rod Bushing	2
	57317-010	Reinforced Frame Rail		54	22186-000	Transverse Torque Rod Frame Bracket	1
				55	45045-010	Backup Plate	1
				56	49689-000L	Torque Rod Shim As Req.	

NOTES: * Not supplied by Hendrickson, used for reference only. Hendrickson is not responsible for components supplied by the vehicle manufacturer. For assistance with maintenance and rebuild instructions on these components see vehicle manufacturer.

** Item included in kit/assembly only, part not sold separately.

*** Transverse torque rods are mandatory for the HAS suspensions regardless of axle spacing, see Literature No. 59310-004 and 59310-058 for more information.



Total of two (2) spring seats required per single suspension, one of each at the left front and right front location.

TABLE 1

Seat Angle	Dana DS 402, 20160S, 20165T Meritor SQ-100, SSHD-LHF, RT-40, RT-46-ALL POS, S140, S170		
	Non-Reinforced Frame Rail	Reinforced Frame Rail	
	Right/Left Hand	Right Hand	Left Hand
	Part Number		
	Casting No. 50923-000		
4°	76843-005	76844-005	75926-005
5°	76843-007	76844-007	75926-007
6°	76843-009	76844-009	75926-009
7°	76843-011	76844-011	75926-011
	Casting No. 50971-000		
8°	76843-001	76844-001	75926-001



VEHICLE				VEHICLE			
KEY NO.	PART NO.	DESCRIPTION	QTY.	KEY NO.	PART NO.	DESCRIPTION	QTY.
1	58688-001	Frame Hanger Assembly, Includes Key Nos. 2-3	2	32	57317-001	Cross Channel - 40"	1
	56557-005	Slipper Pad Service Kit, One Side, Includes Key Nos. 2-3		33	50764-005	¾"-10 UNC x 3" Bolt	2
2	56929-000	Slipper Pad	2	34	50764-007	¾"-10 UNC x 2½" Bolt	2
3	58287-001	Slipper Pad Lock Pin - 1"	4	35	22962-001	¾" Hardened Washer	8
	49175-014	Rebound Roller Service Kit, Axle Set, Includes Key Nos. 4-8		36	49842-000	¾"-10 UNC Locknut	4
4	24531-015	½"-13 UNC x 5½" Bolt	2	37	66153-004L	Shock Absorber	2
5	22962-014	½" Hardened Washer	4		50754-013	Single Upper Shock Fastener and Bracket Service Kit, Includes Key Nos. 38-41	
6	57988-000	Rebound Spacer	2	38	67463-001	Upper Shock Bracket, <i>Replaces 65000-001</i>	2
7	57989-000	Rebound Roller	2	39	50764-010	¾"-10 UNC x 4¼" Bolt	2
8	49846-000	½"-13 UNC Locknut	2	40	22962-001	¾" Hardened Washer	2
9	48411-016	Longitudinal Torque Rod Assembly - 14.41", Includes Key No. 10	2	41	49842-000	¾"-10 UNC Locknut	2
10	47691-000L	Torque Rod Bushing	4		57356-000	Lower Shock Bracket Assembly, Includes Key Nos. 42-45	2
11	32043-005	⅝"-11 UNC x 4½" Hex Bolt	4	42	57355-000	Lower Shock Bracket	2
12	22962-004	⅝" Hardened Washer	8	43	50764-002	¾"-10 UNC x 5½" Bolt	2
13	47764-000	⅝"-11 UNC Locknut	4	44	22962-001	¾" Hardened Washer	4
14	49689-000L	Torque Rod Shim (as needed)	8	45	49842-000	¾"-10 UNC Locknut	2
	48718-023	U-bolt Fastener Service Kit, Axle Set, Includes Key Nos. 15-18		46	57977-000	Height Control Valve Assembly, Includes Key Nos. 47-49	1
15	47417-007	⅞"-14 UNF x 15" U-bolt	4	47		*HCV Mounting Bracket	1
16	48574-000	⅞" Spherical Washer	8	48		*¼" Flat Washer	2
17	22962-002	⅞" Hardened Washer	8	49		*¼"-20 UNC Locknut	2
18	50765-000	⅞"-14 UNF U-bolt Locknut	8	50	58994-002L	HCV Linkage Assembly - 17.04", Includes Key Nos. 51-57	1
19	56805-000	Top Pad	2	51		*Linkage Rod	1
20	56943-000	Main Support Member Assembly - 1.88" Includes Key No. 21	2	52		*⅝"-18 UNC Jam Nut	2
21	47905-000	Delrin Liner	2	53		*⅝"-18 UNC Locknut	2
22		Spring Seat Assembly, Includes Spring Seat and Key Nos. 23-25	2	54		*⅝"-18 UNC Stud	2
	66622-000	4.5°		55		*Valve Arm Clamp	1
	66622-002	5.5°		56		*Adjustable Valve Arm Joint	1
23	50918-000	⅝"-11 UNC-2A Stud	4	57	57430-000	Height Control Valve Linkage Bracket Service Kit, Includes Key Nos. 58-61	
24	22962-004	⅝" Hardened Washer	4	58	56789-000	Height Control Valve Linkage Bracket	1
25	47764-000	⅝"-11 UNC Locknut	4	59	56935-001	¼"-20 UNC x 1¼" Bolt	2
26	50216-000	Axle Bottom Cap	2	60	22962-028	¼" Hardened Washer	4
27	66178-002L	Air Spring Assembly, Includes Key Nos. 28-29	2	61	49983-000	¼"-20 UNC Locknut	2
28	50804-002	Air Spring Bracket	2	62	62000-565	**Transverse Rod Assembly, Includes Key No. 63	1
29	17700-010	½"-13 UNC Air Spring Locknut	2	63	47691-000L	Transverse Torque Rod Bushing	2
30	22962-014	½" Hardened Washer	2	64	22186-000	Transverse Torque Rod Frame Bracket	1
31	17700-010	½"-13 UNC Nylocknut	2	65	45045-003	Back Up Plate	1

NOTES: * Item included in kit/assembly only, part not sold separately.

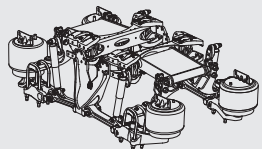
** Transverse Rods are mandatory with the HAS Series Suspension regardless of axle spacing.

Hendrickson's part number is stamped on the transverse rod for identification. Be sure and include the suffix number when ordering (this number indicates rod length). Hendrickson 2-Piece ULTRA RODS can be used to create desired length. See Torque Rod Selection Guide 45745-148 for more information.

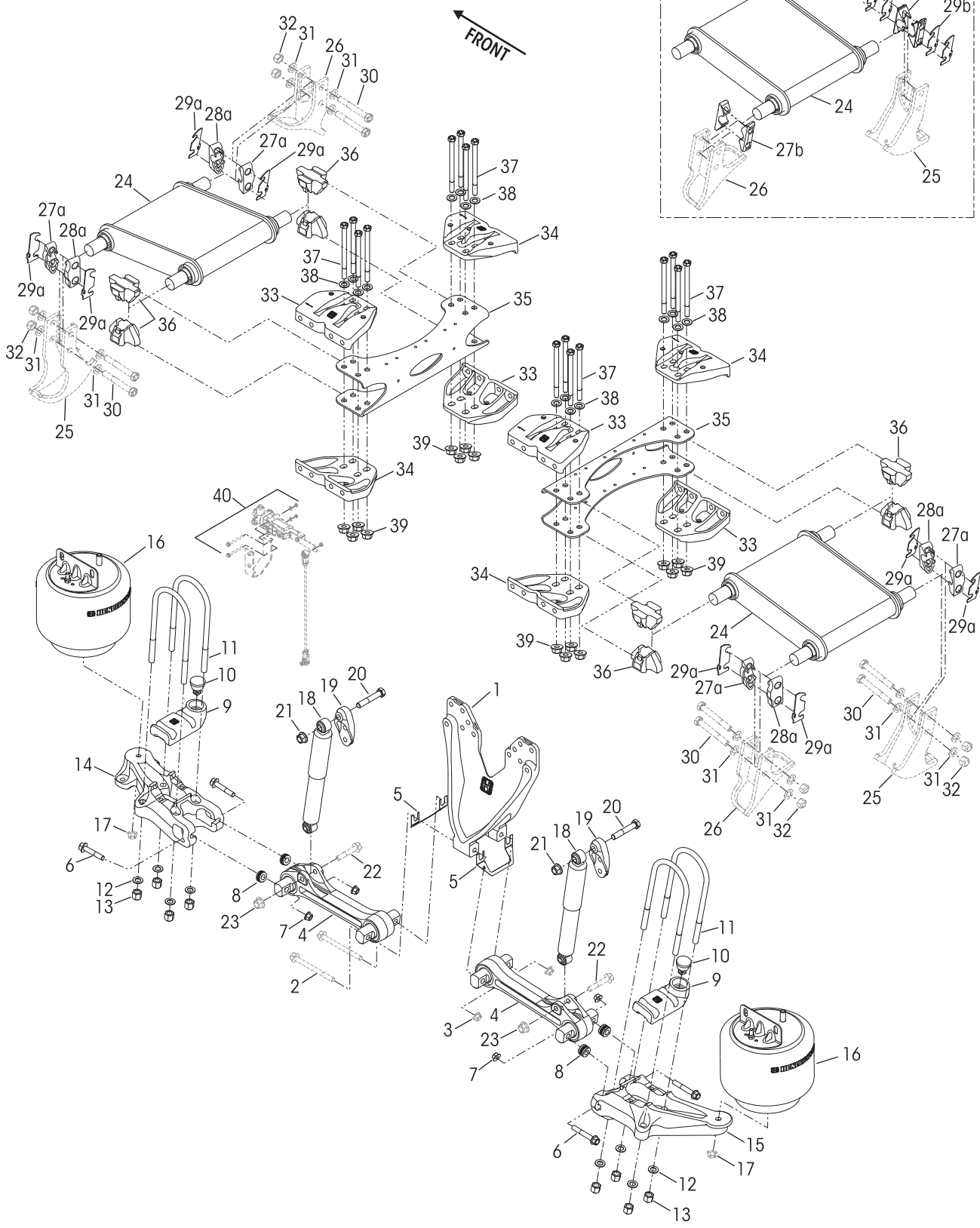
Hendrickson HAS AIR Ride Height Gauge Literature number 45745-050 (Loaded Vehicles) can be obtained on-line at www.hendrickson-inf1.com/Litform



40K Capacity



PARTS LISTS



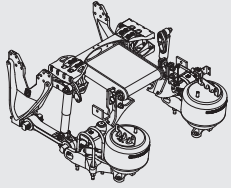


VEHICLE				VEHICLE			
KEY NO.	PART NO.	DESCRIPTION	QTY.	KEY NO.	PART NO.	DESCRIPTION	QTY.
1	65700-000	Frame Hanger	2	22		*Lower Shock Flange Hex Bolt	4
2		*Frame Hanger Flange Hex Bolt	4	23		*Lower Shock Flange Locknut	4
3		*Frame Hanger Flange Locknut	4		60961-721	Single Axle Torque Box Service Kit, Includes Key Nos. 4, 24, 27a-29a, 36-39	
4	77906-398	Torque Rod Assembly, <i>Replaces 64768-398</i>	4	24	64785-007B	Torque Box Assembly, <i>Replaces 64785-001, 64785-002B</i>	2
5		Torque Rod Shims	As Req.	25		**Tall Axle Bracket	2
	65640-001	0.030"		26		**Short Axle Bracket	2
	65640-002	0.060"		27		Axle Bracket Bar Pin Clamp	4
	65640-003	0.120"		a	67157-001	Left Hand, <i>Vehicles built after 10/07</i>	
6	66636-00X	5/8"-11 UNC Torque Rod Flange Bolt, <i>see Table 1 below for Length and Part No.</i>	8	b	66174-000	Non-Adjustable, <i>Vehicles built prior to 10/07</i>	
7	66637-000	5/8"-11 UNC Torque Rod Flange Locknut	8	28		Axle Bracket Bar Pin Clamp	4
8	66193-00X	Pinion Spacer, <i>see Table 1 below</i>	8	a	67157-002	Right Hand, <i>Vehicles built after 10/07</i>	
9	65708-000	Axle Top Pad Assembly, Includes Key No. 10	4	b	66274-000	Adjustable, <i>Vehicles built prior to 10/07</i>	
10	64080-000	Axle Stop	4	29		Axle Bracket Spacer (3/32")	8
	48718-116	Single Axle U-bolt Fasteners Service Kit, Includes Key Nos. 11-13		a	67237-001	<i>Vehicles built after 10/07</i>	
11	64102-002	3/4"-16 UNF x 14" U-bolt	8	b	65737-001	<i>Vehicles built prior to 10/07</i>	
12	22962-001	3/4" Hardened Flat Washer	16	30		*Axle Bracket Hex Bolt	8
13	49685-000	3/4"-16 UNF U-bolt Locknut	16	31		*Axle Bracket Washer	16
14		Front Lower Air Spring Bracket, <i>see Table 1 below 2</i>		32		*Axle Bracket Locknut	8
15		Rear Lower Air Spring Bracket, <i>see Table 1 below 2</i>				Cross Member Gusset	
16	66643-002L	Air Spring Assembly, <i>Replaces 60977-002L</i>	4	33	65705-001	LH Top, RH Bottom	4
17		*1/2"-13 UNC Flange Nut	4	34	65705-002	LH Bottom, RH Top	4
18	60657-008L	Shock Absorber, <i>Replaces 60657-006</i>	4	35	67478-000	Cross Member C-Channel, <i>Replaces 64970-000</i>	2
	60657-010L	ProStar		36	65144-000	Cross Member Bar Pin Clamp	8
	60657-011L	Prostar Daycab			60961-722	Single Axle Torque Box Fasteners Service Kit, Includes Key Nos. 29a, 37-39	
19	67463-002	Shock Absorber Frame Bracket <i>Replaces 65000-002</i>	4	37	32043-022	5/8"-11 UNC x 8 3/4" Cross Member Hex Bolt	16
	50754-022	Single Shock Mount Fastener Kit, Includes Key Nos. 20-21		38	22962-004	5/8" Cross Member Washer	16
20	58917-001	3/4"-10 UNC x 4 1/4" Hex Bolt, <i>Replaces 50764-010</i>	4	39	66637-000	5/8"-11 UNC Cross Member Flange Locknut <i>Replaces 47764-000</i>	16
21	66137-000	3/4"-10 UNC Flange Locknut	4	40		*Height Control Valve & Linkage Assembly	1

NOTES: * Not supplied by Hendrickson, used for reference only. Hendrickson is not responsible for components supplied by the vehicle manufacturer. For assistance with maintenance and rebuild instructions on these components see vehicle manufacturer.

** Supplied to the axle manufacturer by Hendrickson. Hendrickson is not responsible for installation of the axle brackets installed by the axle manufacturer. For assistance with maintenance and rebuild instructions on these components, see the axle manufacturer.

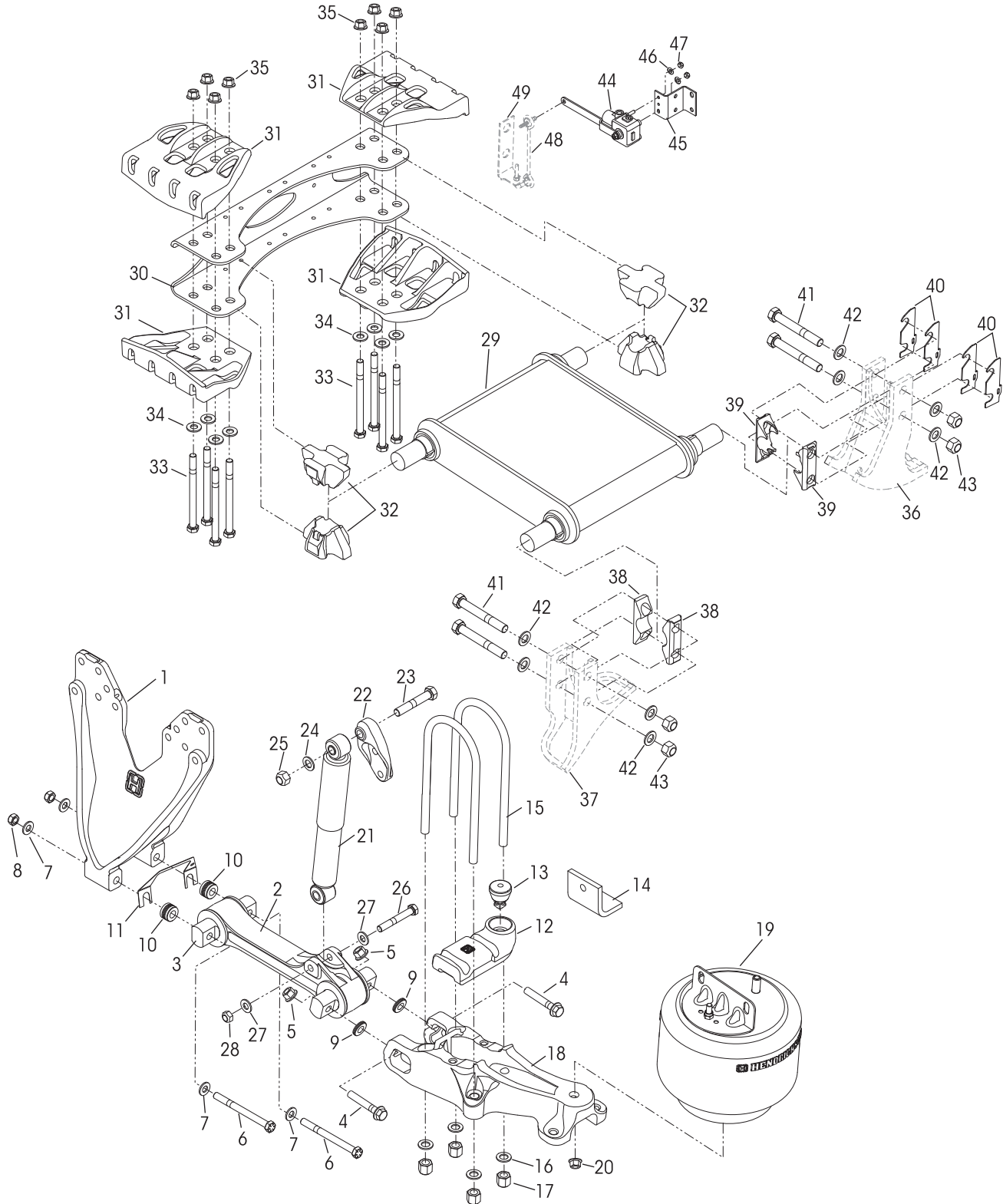
TABLE 1	Pinion Angle	Air Spring Bracket Part Number		Pinion Spacer		Torque Rod Flange Bolt	
		Key No. 14, 15		Key No. 8		Key No. 6	
		Left Hand	Right Hand	Thickness	Part Number	Length	Part Number
FRONT	2°	65638-001	65638-002	None	None	3 1/2"	66636-004
	3°			8 mm	66193-001	4"	66636-003
	4°			16 mm	66193-002		
	5°			24 mm	66193-003	4 1/2"	66636-002
REAR	8°	65698-001	65698-002	24 mm	66193-003	4 1/2"	66636-002
	9°			16 mm	66193-002	4"	66636-003
	10°			8 mm	66193-001		
REAR	11°	64764-001	64764-002	24 mm	66193-003	4 1/2"	66636-002
	12°			16 mm	66193-002		
	13°			8 mm	66193-001	4"	66636-003



Motorhome Chassis – Mid Engine

Mid Engine 2° Pinion Angle

PARTS LISTS





KEY NO.	PART NO.	DESCRIPTION	VEHICLE QTY.	KEY NO.	PART NO.	DESCRIPTION	VEHICLE QTY.
1	65700-000	Frame Hanger	2	25	49842-000	¾"-10 UNC Locknut	2
2	78562-003	Torque Rod Assembly - 15.67", Includes Key No. 3, <i>Replaces 66797-003</i>	2	26	32043-005	⅝"-1 1/16 UNC x 4 1/2" Lower Shock Bolt	2
3	64664-000L 49176-018	**Torque Rod Bushing Torque Rod Fastener Service Kit, Axle Set, Includes Key Nos. 4-8	4	27	22962-004	⅝" Hardened Washer	4
4	66636-003	⅝"-11 UNC x 4" Flange Bolt <i>Replaces 32043-008, 22962-004</i>	4	28	47764-000 66175-002	⅝"-11 UNC Locknut Torque Box Cross Member Assembly, Includes Key Nos. 29-35	2 1
5	66637-000	⅝"-11 UNC Flange Locknut <i>Replaces 47764-000, 22962-004</i>	4	29	64785-005	Torque Box Assembly with Bar Pin Bushing <i>Replaces 64785-004</i>	1
6	32043-007	⅝"-1 1/16 UNC x 7" Hex Bolt	4	30	67478-000	Cross Member C-Channel <i>Replaces 64970-000</i>	1
7	22962-004	⅝" Hardened Washer	8	31	66698-000	Cross Member Gusset	4
8	47764-000	⅝"-11 UNC Locknut	4	32	67233-000	Cross Member Bar Pin Clamp <i>Replaces 65144-000</i>	4
9	66193-001	Pinion Spacer, Air Spring Bracket - 8 mm	4		66025-002	Cross Member Fastener Service Kit, Includes Key Nos. 33-35	
10	66193-003	Pinion Spacer, Frame Hanger - 24 mm	4	33	32043-016	⅝"-1 1/16 UNC x 8" Bolt	8
11		Torque Rod Shim	As Req.	34	22962-004	⅝" Hardened Washer	8
	65640-001	1/32" (0.030")		35	66637-000	⅝"-11 UNC Flange Locknut <i>Replaces 47764-000</i>	8
	65640-002	1/16" (0.060")		36		*Axle Bracket (Long Arm Side)	1
	65640-003	1/8" (0.120")		37		*Axle Bracket (Short Arm Side)	1
12	65708-000L	Top Pad Assembly, Includes Key No. 13	2	38	66174-000	Axle Bracket Bar Pin Clamp, Non-Adjustable	2
13	64080-000	Axle Stop	2	39	66274-000	Axle Bracket Bar Pin Clamp, Adjustable	2
14	66675-000 48718-115	Axle Stop Spacer Plate U-bolt Fastener Service Kit, Axle Set, Includes Key Nos. 15-17	2	40	65737-001 66027-001	Axle Bracket Spacer - 0.093" Axle Bracket Fastener Service Kit, Includes Key Nos. 41-43	4 4
15	64102-001	¾"-16 UNF 1 3/8" U-bolt	4	41	58917-003	¾"-10 UNC x 5 1/2" Bolt <i>Replaces 50764-002</i>	4
16	22962-001	¾" Hardened Washer	8	42	22962-001	¾" Hardened Washer	8
17	49685-000	¾"-16 UNF U-bolt Locknut	8	43	49842-000	¾"-10 UNC Locknut	4
18		Lower Air Spring Bracket 2°-6° Pinion Angle			57977-000	Height Control Valve Assembly, Includes Key Nos. 44-47	1
	65638-001	Left Hand	1	44	60501-000	Height Control Valve	1
	65638-002	Right Hand	1	45	57975-000	HCV Mounting Bracket	1
19	66643-002L	Air Spring Assembly (FS) <i>Replaces 60977-002L</i>	2	46	22962-028	1/4" Hardened Washer	2
20	60819-000	1/2"-13 UNC Flange Nut <i>Replaces 17700-010, 22962-014</i>	2	47	49983-000	1/4"-20 UNC Locknut	2
21	66153-005L	Shock Absorber	2	48		*HCV Linkage Assembly	1
22	67463-005 50754-024	Shock Absorber Bracket Shock Absorber Fastener Service Kit, Axle Set, Includes Key Nos. 23-28	2	49		*Lower HCV Linkage Mounting Bracket	1
23	50764-010	¾"-10 UNC x 4 1/4" Upper Shock Bolt	2	Not shown	70867-001	P-80® Lubricant - 10 ml	per Bushing 1
24	22962-001	¾" Hardened Washer	2				

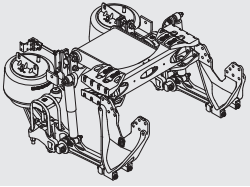
NOTES: * Not supplied by Hendrickson, used for reference only. Hendrickson is not responsible for components supplied by the vehicle manufacturer. For assistance with maintenance and rebuild instructions on these components see vehicle manufacturer.

** HTB torque rod bushing replacement can be done using the Hendrickson Torque Rod Bushing Assembly Tool (Funnel) Part No. 66086-000L, see Special Tools Section.

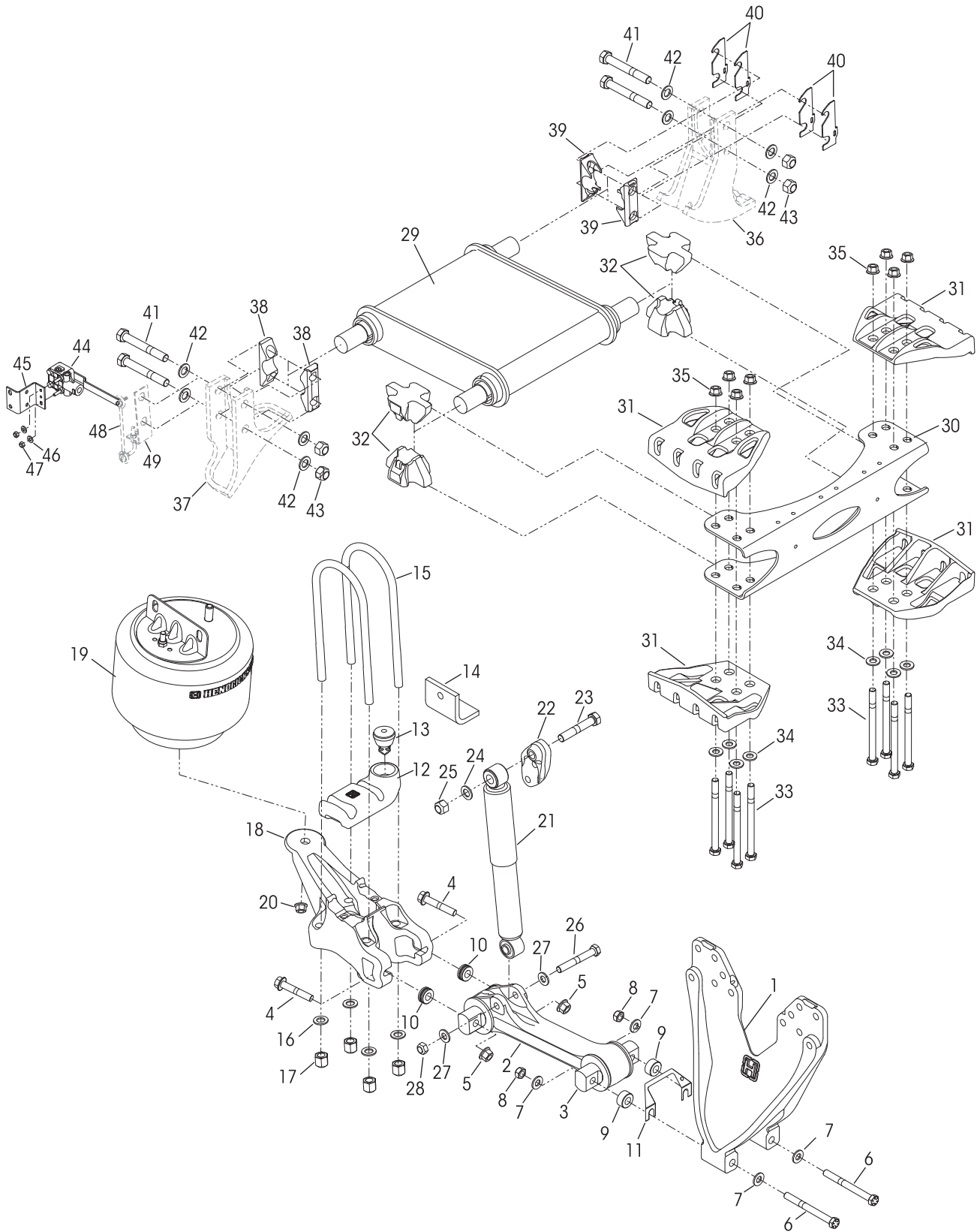


Motorhome Chassis – Rear Engine

MM Rear Engine -4° and -5° Pinion Angle



PARTS LISTS





KEY NO.	PART NO.	DESCRIPTION	VEHICLE QTY.	KEY NO.	PART NO.	DESCRIPTION	VEHICLE QTY.
1	65700-000	Frame Hanger	2		50754-024	Shock Absorber Fastener Service Kit, Axle Set, Includes Key Nos. 23-28	
2	78562-002	Torque Rod Assembly - 15.67", Includes Key No. 3, <i>Replaces 66797-002</i>	2	23	50764-010	¾"-10 UNC x 4¼" Upper Shock Bolt	2
3	64664-000L	**Torque Rod Bushing	4	24	22962-001	¾" Hardened Washer	2
	49176-018	Torque Rod Fastener Service Kit, Axle Set, Includes Key Nos. 4-8		25	49842-000	¾"-10 UNC Locknut	2
4	66636-003	⅝"-11 UNC x 4" Flange Bolt <i>Replaces 32043-008, 22962-004</i>	4	26	32043-005	⅝"-11 UNC x 4½" Lower Shock Bolt	2
5	66637-000	⅝"-11 UNC Flange Locknut <i>Replaces 47764-000, 22962-004</i>	4	27	22962-004	⅝" Hardened Washer	4
6	32043-007	⅝"-11 UNC x 7" Hex Bolt	4	28	47764-000	⅝"-11 UNC Locknut	2
7	22962-004	⅝" Hardened Washer	8		66175-002	Torque Box Cross Member Assembly, Includes Key Nos. 29-35	1
8	47764-000	⅝"-11 UNC Locknut	4	29	64785-005	Torque Box Assembly with Bar Pin Bushing <i>Replaces 64785-004</i>	1
9		Pinion Spacer - Air Spring Bracket	4	30	67478-000	Cross Member C-Channel <i>Replaces 64970-000</i>	1
	66193-001	8 mm, MM -5° Pinion Angle		31	66698-000	Cross Member Gusset	4
	66193-002	16 mm, MM -4° Pinion Angle		32	67233-000	Cross Member Bar Pin Clamp <i>Replaces 65144-000</i>	4
10		Pinion Spacer - Frame Hanger	4		66025-002	Cross Member Fastener Service Kit, Includes Key Nos. 33-35	
	66193-002	16 mm, MM -5° Pinion Angle		33	32043-016	⅝"-11 UNC x 8" Bolt	8
	66193-004	19.3 mm, MM -4° Pinion Angle		34	22962-004	⅝" Hardened Washer	8
11		Torque Rod Shim	As Req.	35	66637-000	⅝"-11 UNC Flange Locknut <i>Replaces 47764-000</i>	8
	65640-001	⅓₂" (0.030")		36		*Axle Bracket (Long Arm Side)	1
	65640-002	⅓₁₆" (0.060")		37		*Axle Bracket (Short Arm Side)	1
	65640-003	⅓₈" (0.120")		38	66174-000	Axle Bracket Bar Pin Clamp, Non-Adjustable	2
12	65708-000L	Top Pad Assembly, Includes Key No. 13	2	39	66274-000	Axle Bracket Bar Pin Clamp, Adjustable	2
13	64080-000	Axle Stop	2	40	65737-001	Axle Bracket Spacer - 0.093"	4
14	66675-000	Axle Stop Spacer Plate	2		66027-001	Axle Bracket Fastener Service Kit, Includes Key Nos. 41-43	
	48718-116	U-bolt Fastener Service Kit, Axle Set, Includes Key Nos. 15-17		41	58917-003	¾"-10 UNC x 5½" Bolt <i>Replaces 50764-002</i>	4
15	64102-002	¾"-16 UNF x 14" U-bolt	4	42	22962-001	¾" Hardened Washer	8
16	22962-001	¾" Hardened Washer	8	43	49842-000	¾"-10 UNC Locknut	4
17	49685-000	¾"-16 UNF U-bolt Locknut	8		57977-000	Height Control Valve Assembly, Includes Key Nos. 44-47	1
18		Lower Air Spring Bracket 8°-10° Pinion Angle		44	60501-000	Height Control Valve	1
	65698-001	Left Hand	1	45	57975-000	HCV Mounting Bracket	1
	65698-002	Right Hand	1	46	22962-028	¼" Hardened Washer	2
19	66643-002L	Air Spring Assembly (FS) <i>Replaces 60977-002L</i>	2	47	49983-000	¼"-20 UNC Locknut	2
20	60819-000	½"-13 UNC Flange Nut <i>Replaces 17700-010, 22962-014</i>	2	48		*HCV Linkage Assembly	1
21	66153-005L	Shock Absorber	2	49		*Lower HCV Linkage Mounting Bracket	1
22	67463-005	Shock Absorber Bracket <i>Replaces 65000-005</i>	2	Not shown	70867-001	P-80® Lubricant - 10 ml per Bushing	1

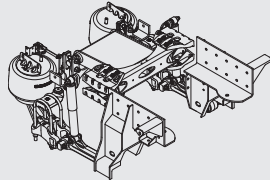
NOTES: * Not supplied by Hendrickson, used for reference only. Hendrickson is not responsible for components supplied by the vehicle manufacturer. For assistance with maintenance and rebuild instructions on these components see vehicle manufacturer.

** HTB torque rod bushing replacement can be done using the Hendrickson Torque Rod Bushing Assembly Tool (Funnel) Part No. 66086-000L, see Special Tools Section.

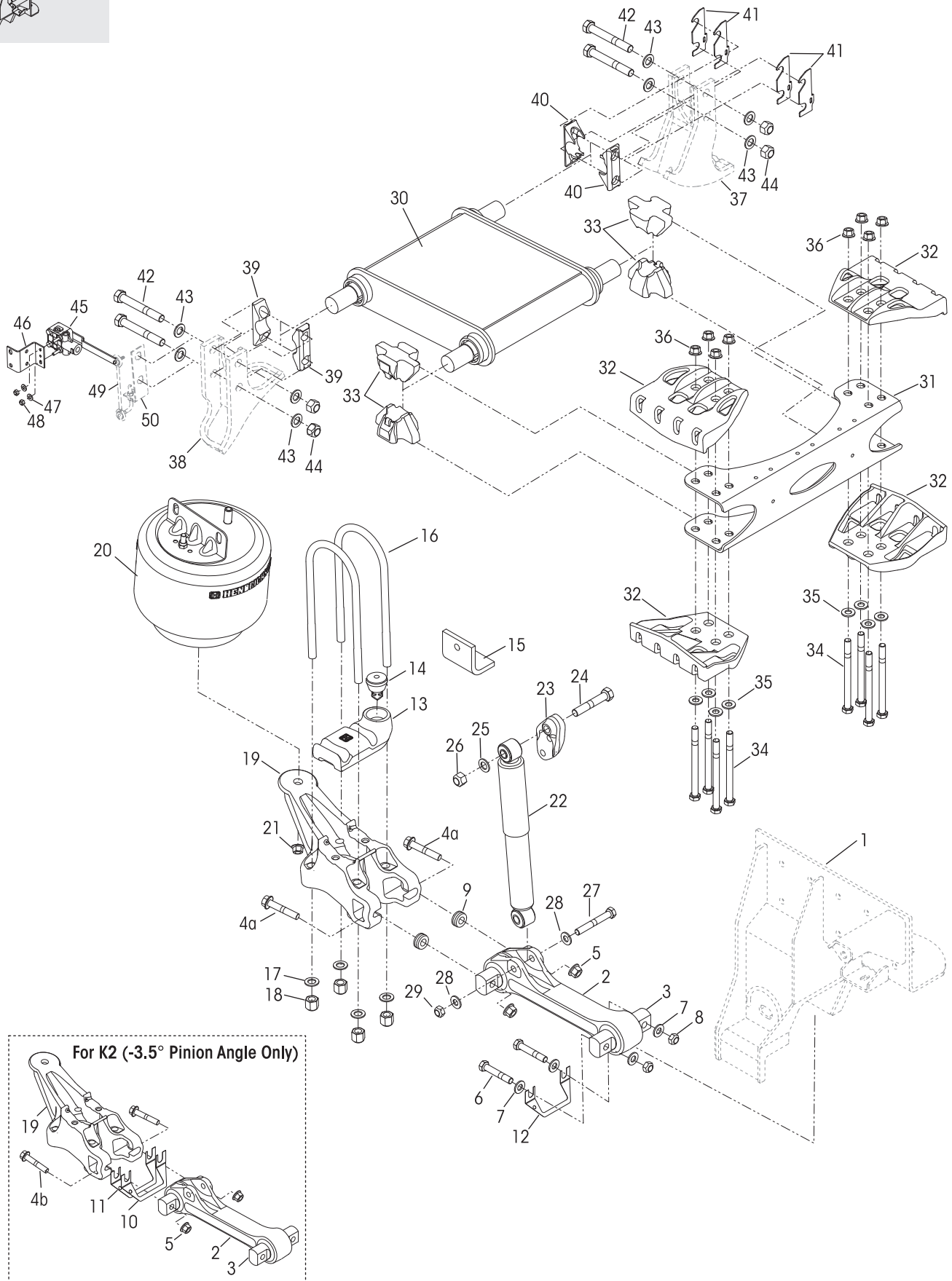


Motorhome Chassis – Drive Tag

K2 Rear Engine -2°, -3.5° and MM Rear Engine -4° Pinion Angle



PARTS LISTS





VEHICLE			VEHICLE	VEHICLE			VEHICLE
KEY NO.	PART NO.	DESCRIPTION	QTY.	KEY NO.	PART NO.	DESCRIPTION	QTY.
1		***Frame Hanger	2		50754-024	Shock Absorber Fastener Service Kit, Axle Set, Includes Key Nos. 24-29	
2	78562-001	Torque Rod Assembly - 15.67", Includes Key No. 3, <i>Replaces 66797-001</i>	2	24	50764-010	¾"-10 UNC x 4¼" Upper Shock Bolt	2
3	64664-000L	**Torque Rod Bushing	4	25	22962-001	¾" Hardened Washer	2
		Torque Rod Fastener Service Kit, Axle Set,		26	49842-000	¾"-10 UNC Locknut	2
	49176-029	K2 -2°, Includes Key Nos. 4a, 5-8		27	32043-005	¾"-10 UNC x 4¼" Upper Shock Bolt	2
	49176-037	MM -4°, K2 -3½°, Includes Key Nos. 4b, 5-8		28	22962-004	⅝" Hardened Washer	4
4		⅝"-11 UNC Flange Bolt	4	29	47764-000	⅝"-11 UNC Locknut	2
a	66636-003	K2 -2°, 4.0", <i>Replaces 32043-008, 22962-004</i>			66175-002	Torque Box Cross Member Assembly, Includes Key Nos. 30-36	1
b	66636-004	MM -4°, K2 -3½°, 3½"		30	64785-005	Torque Box Assembly with Bar Pin Bushing <i>Replaces 64785-004</i>	1
5	66637-000	⅝"-11 UNC Flange Locknut <i>Replaces 47764-000, 22962-004</i>	4	31	67478-000	Cross Member C-Channel <i>Replaces 64970-000</i>	1
6	32043-009	⅝"-11 UNC x 3½" Hex Bolt	4	32	66698-000	Cross Member Gusset	4
7	22962-004	⅝" Hardened Washer	8	33	67233-000	Cross Member Bar Pin Clamp <i>Replaces 65144-000</i>	4
8	47764-000	⅝"-11 UNC Locknut	4		66025-002	Cross Member Fastener Service Kit, Includes Key Nos. 34-36	
9	66193-002	Air Spring Bracket Pinion Spacer K2 (-2.0° Pinion Angle ONLY), 16 mm	4	34	32043-016	⅝"-11 UNC x 8" Bolt	8
		Air Spring Bracket Pinion Shim		35	22962-004	⅝" Hardened Washer	8
10	65640-001	K2 (-3.5° Pinion Angle ONLY), ⅓₂" (0.030")	2	36	66637-000	⅝"-11 UNC Flange Locknut <i>Replaces 47764-000</i>	8
11	65640-003	K2 (-3.5° Pinion Angle ONLY), ⅓₆" (0.120")	2	37		*Axle Bracket (Long Arm Side)	1
12		Torque Rod Shim	As Req.	38		*Axle Bracket (Short Arm Side)	1
	65640-001	⅓₂" (0.030")		39	66174-000	Axle Bracket Bar Pin Clamp, Non-Adjustable	2
	65640-002	⅓₆" (0.060")		40	66274-000	Axle Bracket Bar Pin Clamp, Adjustable	2
	65640-003	⅓₈" (0.120")		41	65737-001	Axle Bracket Spacer - 0.093"	4
13	65708-000L	Top Pad Assembly, Includes Key No. 14	2		66027-001	Axle Bracket Fastener Service Kit, Includes Key Nos. 42-44	
14	64080-000	Axle Stop	2	42	58917-003	¾"-10 UNC x 5½" Bolt <i>Replaces 50764-002</i>	4
15	66675-000	Axle Stop Spacer Plate	2	43	22962-001	¾" Hardened Washer	8
	48718-116	U-bolt Fastener Service Kit, Axle Set, Includes Key Nos. 16-18		44	49842-000	¾"-10 UNC Locknut	4
16	64102-002	¾"-16 UNF x 14" U-bolt	4		57977-000	Height Control Valve Assembly, Includes Key Nos. 45-48	1
17	22962-001	¾" Hardened Washer	8	45	60501-000	Height Control Valve	1
18	49685-000	¾"-16 UNF U-bolt Locknut	8	46	57975-000	HCV Mounting Bracket	1
19		Lower Air Spring Bracket 8°-10° Pinion Angle		47	22962-028	¼" Hardened Washer	2
	65698-001	Left Hand	1	48	49983-000	¼"-20 UNC Locknut	2
	65698-002	Right Hand	1	49		*HCV Linkage Assembly	1
20	66643-002L	Air Spring Assembly (FS) <i>Replaces 60977-002L</i>	2	50		*Lower HCV Linkage Mounting Bracket	1
21	60819-000	½"-13 UNC Flange Nut <i>Replaces 17700-010, 22962-014</i>	2	Not shown	70867-001	P-80® Lubricant - 10 ml per Bushing 1	
22	66153-005L	Shock Absorber	2				
23	67463-005	Shock Absorber Bracket <i>Replaces 65000-005</i>	2				

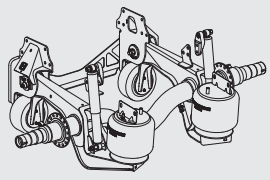
NOTES: * Not supplied by Hendrickson, used for reference only. Hendrickson is not responsible for components supplied by the vehicle manufacturer. For assistance with maintenance and rebuild instructions on these components see vehicle manufacturer.

** HTB torque rod bushing replacement can be done using the Hendrickson Torque Rod Bushing Assembly Tool (Funnel) Part No. 66086-000L, see Special Tools Section.

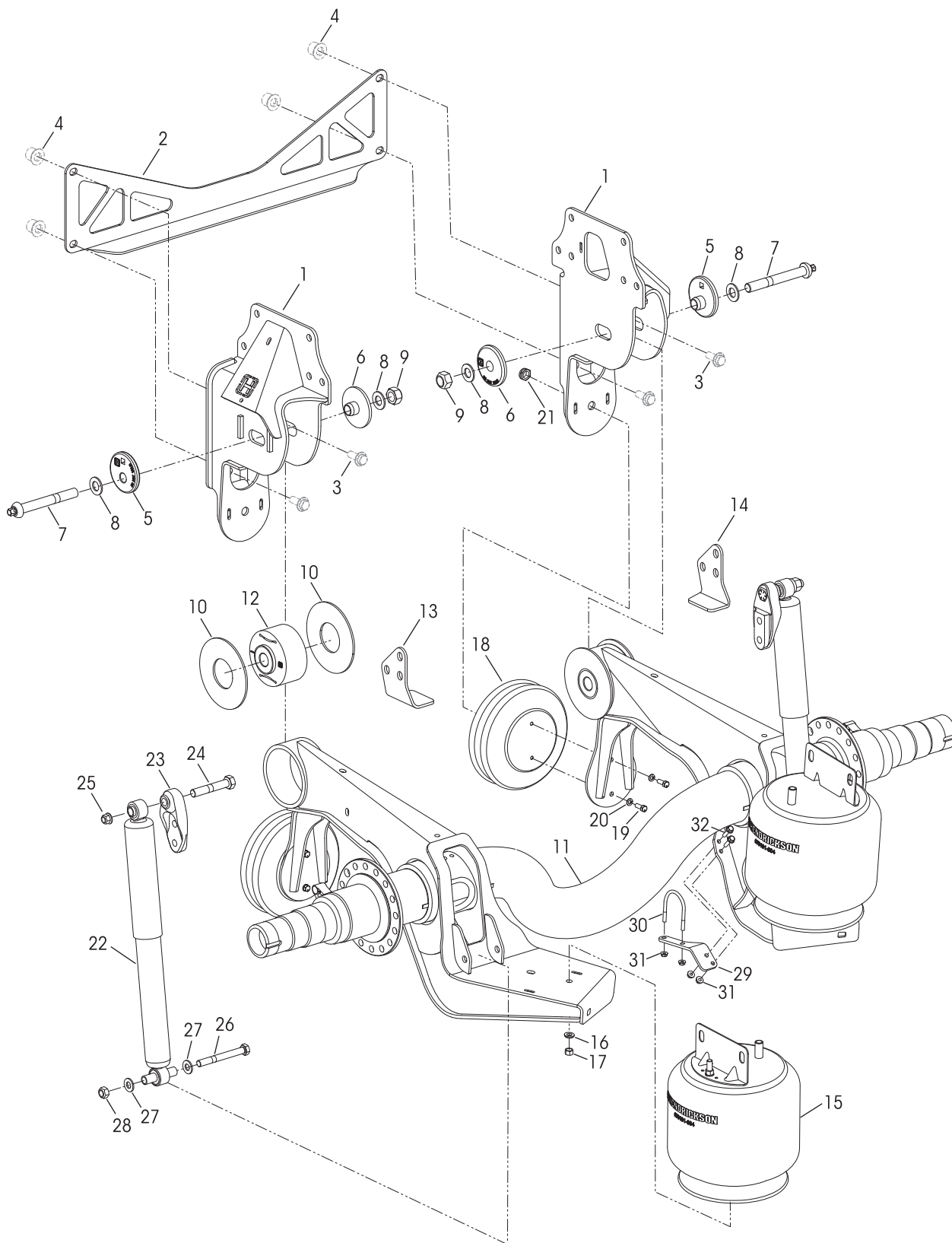
*** Supplied by Hendrickson Auxiliary Axle Systems.



Liftable Forward Tandem Axle and Suspension System



PARTS LISTS





VEHICLE				VEHICLE			
KEY NO.	PART NO.	DESCRIPTION	QTY.	KEY NO.	PART NO.	DESCRIPTION	QTY.
1		Frame Hanger		16	22962-014	½" Lower Ride Air Spring Washer	2
	79651-001	Left Hand	1	17	17700-010	½"-13 UNC Lower Ride Air Spring Locknut	2
	79651-002	Right Hand	1		34013-287	Lift Air Spring Service Kits, One Side, Includes Key Nos. 18-21	
2	80100-001	Cross Member	1	18		*Lift Air Spring	2
3		**M16 Huck Bolt	4	19	58035-001	¾"-16 UNF x 1" Lift Air Spring Bolt	4
4		**M16 Huck Locknut	4	20	17497-005	¾" Lift Air Spring Split Lock Washer	4
		QUIK-ALIGN Service Kit, Includes Key Nos. 5-10		21	17700-031	¾" Locknut	2
	60632-042	Axle Set			34013-289	Single Shock Absorber Service Kit, Includes Key Nos. 22-28	
	34013-280	One Side		22	80335-001	Shock Absorber	2
	34013-281	QUIK-ALIGN Collar Service Kit, One Side, Includes Key Nos. 5-9		23	78250-003	Upper Shock Bracket	2
5		*QUIK-ALIGN Eccentric Collar	2	24	50764-019	¾"-10 UNC x 4½" Upper Shock Bolt	2
6		*QUIK-ALIGN Concentric Collar	2	25	66137-000	¾"-10 UNC Upper Shock Flange Locknut	2
	34013-282	QUIK-ALIGN Fastener Service Kit, One Side, Includes Key Nos. 7-9		26	32043-019	¾"-11 UNC x 5½" Lower Shock Bolt	2
7		*Shear Round Head Bolt	2	27	22962-004	¾" Lower Shock Washer	4
8		*¾" Hardened Steel Washer	4	28	47764-000	¾" Lower Shock Locknut	2
9		*¾" Prevailing Torque Heavy Hex Nut	2			****S-cam Service Kit, Axle Set Includes Key Nos. 29-32 Fasteners Only, Includes Key Nos. 30-32	
		TRI-FUNCTIONAL® III Bushing Service Kit		29		S-cam Bracket	
	34013-283	Axle Set, Includes Key Nos. 10, 12, 36			80023-001	Left Hand	1
	34013-284	One Side, Includes Key Nos. 10, 12, 36			80023-002	Right Hand	1
	34013-285	One Side, Includes Key Nos. 7-9, 12, 36		30	64202-000	⅝"-18 UNC x 3¼" U-bolt	2
	34013-286	Thrust Washer Service Kit, One Side		31	75952-000	⅝"-18 UNC Flange Nut	8
10		*Thrust Washer	4	32	75953-001	⅝"-18 UNC x 1" Flange Bolt	4
11	79357-004	Axle Beam Assembly, Includes Key No. 12 75.5 Wide Track, 33.4" Frame Width	1		80692-XXX	***OPTIMAAX Air Controller Module, Includes Key Nos. 33-34	
12		*TRI-FUNCTIONAL III Bushing	2	33	80427-XXX	***OPTIMAAX ECU <i>Contact Vehicle Manufacturer for Part Number</i>	1
	34013-237	Axle Stop Service Kit, Axle Set Includes Key Nos. 13-14		34	80860-000	***Splash Shield Assembly	1
		Axle Stop		35	80426-000	***OPTIMAAX Air Controller Manifold	1
13	79887-001	Left Hand	1	36		H Rubber Assembly Oil	1 per Bushing
14	79887-002	Right Hand	1				
15	79191-004	Ride Air Spring	2				
	49177-006	Ride Air Spring Fasteners Service Kit, Axle Set Includes Key Nos. 16-17					

NOTES: * Item included in assembly / kit only, part not sold separately.

** Item required, component supplied by vehicle manufacturer. Hendrickson is not responsible for components not supplied by Hendrickson, for assistance with maintenance and rebuild instructions on these components see vehicle manufacturer.

*** Not shown, refer to Hendrickson Literature No.17730-310 for more information.

**** Required for vehicles equipped with drum brakes only.



Technical Notes

The following information is intended to assist in determining which suspension is equipped on the vehicle.

As an example, in Figure 1, the end cap/frame hanger help identify whether the suspension is the current model PRIMAAX EX or the previous production model PRIMAAX (out of production since May 2010).

OEM Specific PRIMAAX EX Parts lists — Caterpillar (SP-234) • Freightliner (SP-230) • International Truck (SP-233) • Kenworth (SP-225) • Mack (SP-231) and Volvo (SP-226) are available online at www.hendrickson-intl.com.

FIGURE 1 PRIMAAX EX • FIREMAAX EX or PRIMAAX • FIREMAAX

PRIMAAX EX | Enhanced U-beam Assembly with
FIREMAAX EX | Integrated End Cap

PRIMAAX | Support Beam with
FIREMAAX | Detachable End Cap | Out of Production
May 2010

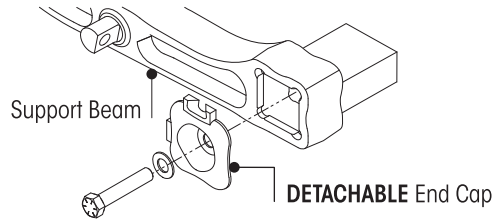
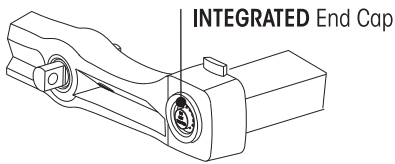


FIGURE 2 SUSPENSION RATING • CAPACITY

S – designates Small Clamp Group • **T** – designates Tall Ride Height 12½" – 14¾" – 15½"

SMALL CLAMP GROUP

Suspension Model:
PRIMAAX EX
23K • 46K • 69K | 23KT • 46KT • 69KT
26K S • 52K S • 78K S | 26K ST • 52K ST • 78K ST
FIREMAAX EX
24K • 48K | 24KT • 48KT
27K S • 54K S | 27K ST • 54K ST

PRIMAAX
230 • 460 • 690 | 230T • 460T • 690T
FIREMAAX
240 • 480 | 240T • 480T

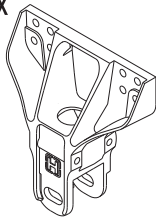
Suspension Model:
PRIMAAX EX
26K • 52K • 78K | 26KT • 52KT • 78KT
FIREMAAX EX
27K • 31K • 54K • 62K
27KT • 31KT • 54KT • 62KT

PRIMAAX
260 • 520 • 780 | 260T • 520T • 780T
FIREMAAX
270 • 540 | 270T • 540T

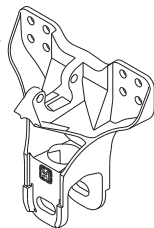
FIGURE 3 RIDE HEIGHT

Frame Hangers: 8½"-10" Ride Height

PRIMAAX EX
FIREMAAX EX



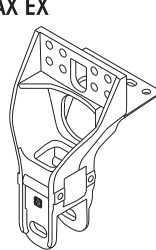
PRIMAAX EX
FIREMAAX EX
with Disc Brakes



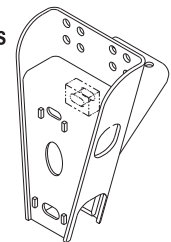
PRIMAAX
FIREMAAX

Frame Hangers: 12½"-15½" Ride Height

PRIMAAX EX
FIREMAAX EX



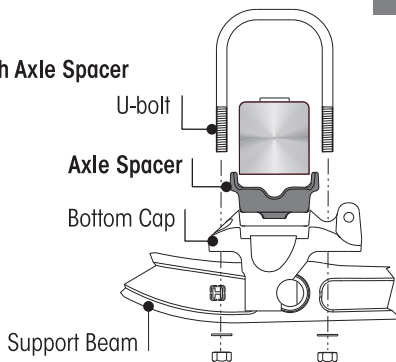
PRIMAAX EX
FIREMAAX EX
with Disc Brakes



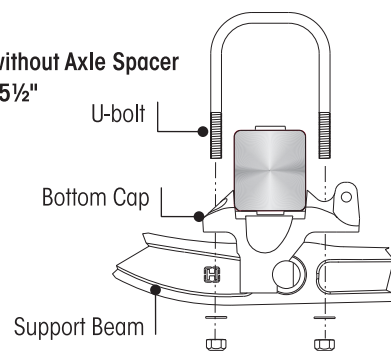
PRIMAAX
FIREMAAX

FIGURE 4 AXLE SPACER

Ride Height with Axle Spacer
8½", 12½"



Ride Height without Axle Spacer
10", 14¾", 15½"





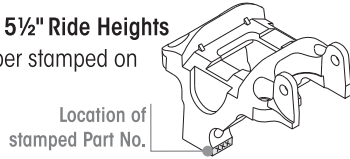
Bottom Cap • Longitudinal Torque Rod Assembly Selection Guide

BOTTOM CAP

PRIMAAX EX 23K • 46K • 69K | 26K S • 52K S • 78K S
 23KT • 46KT • 69KT | 26K ST • 52K ST • 78K ST
 FIREMAAX EX 24K • 48K | 27K S • 54K S | 24KT • 48KT | 27K ST • 54K ST

8½", 12½", 14¾", 15½" Ride Heights

Locate the part number stamped on the bottom cap

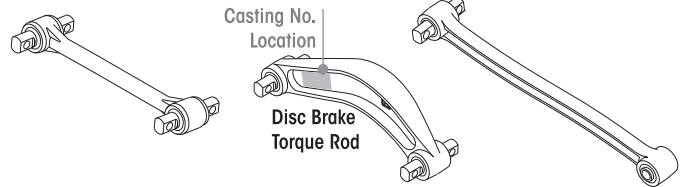


10" Ride Height (only), See tables below

LONGITUDINAL TORQUE ROD ASSEMBLY

PRIMAAX EX 23K • 46K • 69K | 23KT • 46KT • 69KT
 26K S • 52K S • 78K S | 26K ST • 52K ST • 78K ST
 FIREMAAX EX 24K • 48K | 24KT • 48KT
 27K S • 54K S | 27K ST • 54K ST

PRIMAAX 230 • 460 • 690
 FIREMAAX 240 • 480



PARTS LISTS

Page 270	PRIMAAX EX 23K • 46K • 69K 26KS • 52KS • 78KS	FIREMAAX EX 24K • 48K 27KS • 54KS
Page 272	23KT • 46KT • 69KT 26KST • 52KST • 78KST	24KT • 48KT 27K ST • 54K ST

Page 282	PRIMAAX 230 • 460 • 690	FIREMAAX 240 • 480
----------	----------------------------	-----------------------

D-pin Bolt Length	Pinion Angle	10" Ride Height Bottom Cap Part Number	*Longitudinal Torque Rod Assembly Part Number	
			Drum Brake Left Front	***Air Disc Brake Right Front
5"	1.5	60556-035	67428-425	
	2.0	60556-040		
	2.5	60556-025		
	3.0	60556-030		
	3.5	60556-035		
	4.0	60556-040		
5¼"	4.5	60556-045	67428-435	67219-435 or 68801-101
5½"	5.0	60556-050		
	5.5	60556-055		
	6.0	60556-060		
	6.5	60556-065		
Rear				
5"	7.0	60556-110	67428-450	67219-435 or 68801-101 Plus Pinion Spacer Part No. 67045-071
	7.5	60556-115		
	8.0	60556-120		
5¼"	8.5	60556-125	67428-460	67219-435 or 68801-101 Plus Pinion Spacer Part No. 67045-069
	9.0	60556-130		
5½"	9.5	60556-135	67428-475	67219-475 OR 68801-201
4¾"	10.0	60556-100		
	10.5	60556-105		
5"	11.0	60556-110		
	11.5	60556-115		
	12.0	60556-120		
5¼"	12.5	60556-125		
	13.0	60556-130		
5½"	13.5	60556-135		
	14.0	60556-140		
♦♦ 5¾"	14.5	60556-145		

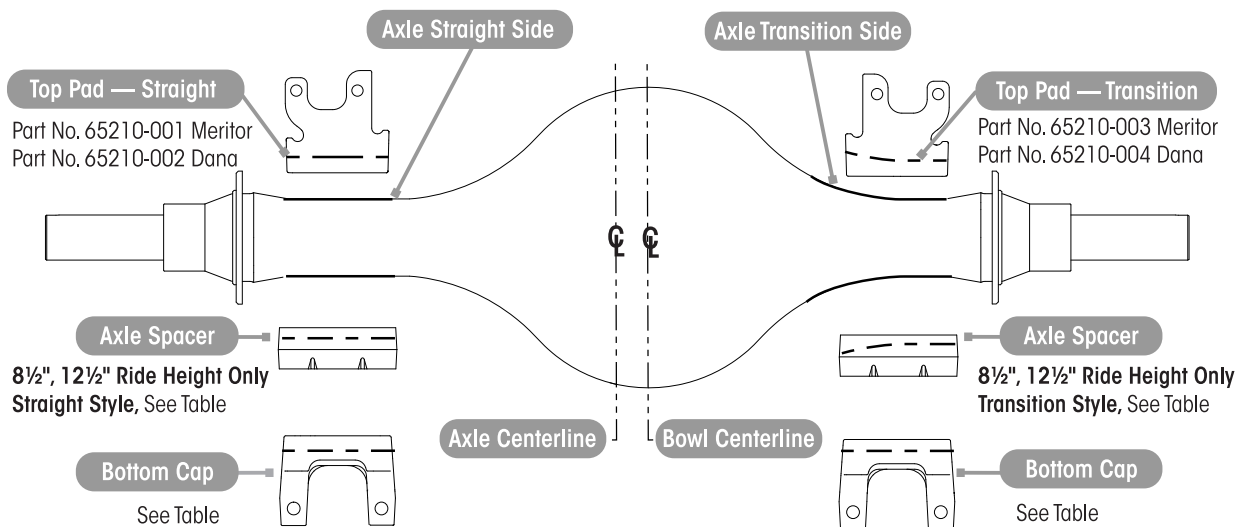
Pinion Angle	10" Ride Height Bottom Cap Part Number	Longitudinal Torque Rod Assembly Part Number	
		Left Front	Right Front
2.5	60556-025	60827-605A	60827-605B
3.0	60556-030		
3.5	60556-035		
4.0	60556-040		
4.5	60556-045		
5.0	60556-050		
5.5	60556-055		
6.0	60556-060		
6.5	60556-065		
7.0	60556-110	64717-620A	64717-620B
7.5	60556-115		
8.0	60556-120		
8.5	60556-125		
9.0	60556-130		
9.5	60556-135		
10.0	60556-100	60827-645A	60827-645B
10.5	60556-105		
11.0	60556-110		
11.5	60556-115		
12.0	60556-120		
12.5	60556-125		
13.0	60556-130		
13.5	60556-135		
14.0	60556-140		
14.5	60556-145		

NOTES: ♦ Non-serviceable torque rod bushings, requires replacement of complete torque rod assembly with bushings.
 ♦♦ May replace with 5½" bolts.
 ♦♦♦ See casting number to confirm.



PARTS LISTS

■ Top Pad • Bottom Cap • Axle Spacer Selection Guide



Page 274 and 278
Page 276 and 280
Page 286

PRIMAAX EX 26K • 52K • 78K
PRIMAAX EX 26KT • 52KT • 78KT
PRIMAAX 260 • 520 • 780

FIREMAAX EX 27K • 31K • 54K • 62K
FIREMAAX EX 27KT • 31KT • 54KT • 62KT
FIREMAAX 270 • 540

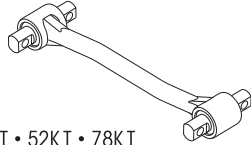
Bottom Cap Part Number										
Axle Manufacturer	Beam Centers	Tandem						Single		
		Straight Side		Transition Side				Straight Side	Transition Side	
		8½", 12½", 10", 14¾", 15½" Ride Height		8½", 12½" Ride Height		10", 14¾", 15½" Ride Height		8½", 12½", 10", 14¾", 15½" Ride Height	8½", 12½" Ride Height	10", 14¾", 15½" Ride Height
		Front	Rear	Front	Rear	Front	Rear			
Meritor	40.0"					65208-106	65208-109			65208-105
	40.5"	65208-101	65208-103	65208-101	65208-103	67913-006	67913-009	65208-101	65208-101	67913-005
	40.8"					67913-106	67913-109			67913-105
Dana	40.0"					65208-108	65208-111			65208-107
	40.5"	65208-102	65208-104	65208-102	65208-104	67913-008	67913-011	65208-102	65208-102	67913-007
	40.8"					67913-108	67913-111			67913-107

Axle Spacer Part Number										
Axle Manufacturer	Beam Centers	8½", 12½" Ride Height		8½", 12½" Ride Height		10", 14¾", 15½" Ride Height		8½", 12½" Ride Height	8½", 12½" Ride Height	10", 14¾", 15½" Ride Height
		Front	Rear	Front	Rear	Front	Rear			
Meritor	40.0"			65277-000		Not equipped		65276-000	65277-000	
	40.5"	65276-000		67973-004					67973-004	
	40.8"			67973-008					67973-008	
Dana	40.0"			65275-000		Not equipped		65274-000	65275-000	
	40.5"	65274-000		67973-002					67973-002	
	40.8"			67973-006					67973-006	

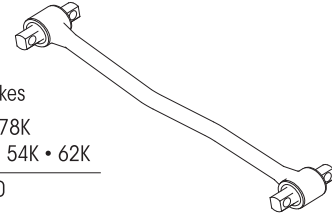


■ Longitudinal Torque Rod Assembly Selection Guide

- **8½", 10" Ride Heights** – See table below
- **All Other Ride Heights** – See specific parts list in this publication



PRIMAAX EX
26K • 52K • 78K | 26KT • 52KT • 78KT
FIREMAAX EX
27K • 31K • 54K • 62K | 27KT • 31KT • 54KT • 62KT



Equipped with Air Disc Brakes
PRIMAAX EX 26K • 52K • 78K
FIREMAAX EX 27K • 31K • 54K • 62K
PRIMAAX 260 • 520 • 780
FIREMAAX 270 • 540

Pinion Angle	*Longitudinal Torque Rod Assembly Part Number	
	Left	Right
1.0-2.0°	65302-455A	65302-455B
2.5-3.0°	65302-470A	65302-470B
3.5-4.0°	65302-475A	65302-475B
9.0-9.5°	65302-510A	65302-510B
10.0-10.5°	65302-515A	65302-515B
11.0-11.5°	65302-520A	65302-520B
NOTE: ♦ Non-serviceable torque rod bushings, requires replacement of complete torque rod assembly with bushings.		

Pinion Angle	Longitudinal Torque Rod Assembly Part Number	
	Left	Right
2.0-3.5°	66359-650A	66359-650B
4.0-5.5°	66359-660A	66359-660B
**2.0-3.5°	66359-670A	66359-670B
10.0-10.5°	66359-585A	66359-585B
11.0-11.5°	66359-590A	66359-590B
12.0-12.5°	66359-595A	66359-595B
♦♦11.0-11.5°	66359-600A	66359-600B
NOTE: ♦♦ Pierce		

NOTES: * Quantities specified are shown for tandem suspension. Adjust quantities for single or tridem suspensions. Quantities of service kit components may vary from amount shown in lists.

** Item included in kit/assembly only, part not sold separately.

*** Transverse torque rods are mandatory for the PRIMAAX EX • FIREMAAX EX/PRIMAAX • FIREMAAX suspensions regardless of axle spacing, see Literature No. 59310-004 and 59310-058 for more information.

**** No longer available for service, see Replacement Guide on Page 288. For more information, refer to Hendrickson Technical Bulletin Literature No. SEU-0229 or contact Hendrickson Tech Services.

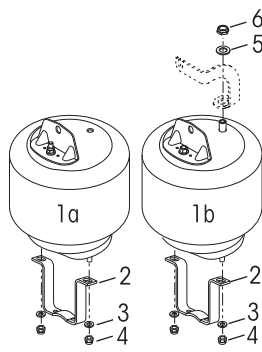
***** Alternate configuration of the QUIK-ALIGN fasteners. The locknuts located inboard will allow additional clearance for wider tires or tires with chains. Tightening is still required ONLY on the locknut.



■ Air Spring Assembly Selection Guide

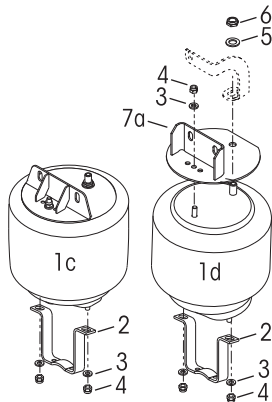
Page 270

PRIMAAX EX 23K•46K•69K
FIREMAAX EX 24K•48K



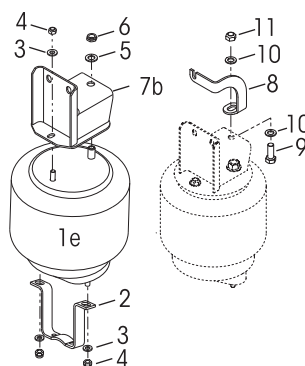
Pages 270, 274, 278

PRIMAAX EX
26K S•52K S•78K S | 26K•52K•78K
FIREMAAX EX
27K S•54K S | 27K•31K•54K•62K



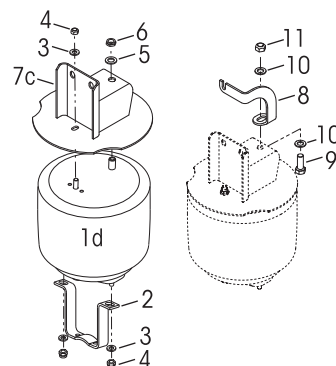
Page 272

PRIMAAX EX 23K T•46K T•69K T
FIREMAAX EX 24K T•48K T



Pages 272, 276, 280

PRIMAAX EX
26K ST•52K ST•78K ST | 26K T•52K T•78K T
FIREMAAX EX
27K ST•54K ST | 27K T•31K T•54K T•62K T



KEY NO.	PART NO.	DESCRIPTION	VEHICLE QTY.
		Single Air Spring Service Kit,	
	60961-230	Includes Key Nos. 1a, 2-4	
	60961-229	Includes Key Nos. 1b, 2-4	
	60961-744	Includes Key Nos. 1c, 2-4	
	60961-231	Includes Key Nos. 1d, 2-6	
	68056-002	Includes Key Nos. 1d, 3-6, 7a	
	60961-227	Includes Key Nos. 1e, 2-6	
1		Air Spring equipped with Upper Air Spring Bracket 4	
a	67043-002L	PRIMAAX EX 23K•46K•69K	
b	67392-002	FIREMAAX EX 24K•48K	
c	67247-002 78761-001	PRIMAAX EX 26K S•52K S•78K S; 26K•52K•78K PRIMAAX EX 26K ST•52K ST•78K ST; FIREMAAX EX 27K ST•54K ST, Includes Key No. 7c	
d	67044-002	Air Spring Only PRIMAAX EX 23K T•46K T•69K T; 26K ST•52K ST•78K ST; 26K T•52K T•78K T FIREMAAX EX 24K T•48K T for Oshkosh Vehicles; 27K S•54K S; 27K ST•54K ST; 27K •31K •54K •62K ; 27K T•31K T• 54K T•62K T	
e	67391-002L	PRIMAAX EX 23K T•46K T•69K T; FIREMAAX EX 24K T•48K T	
2	60911-002	Lower Air Spring Mounting Bracket	4

KEY NO.	PART NO.	DESCRIPTION	VEHICLE QTY.
		Single Air Spring Fastener Service Kit,	
	49177-006	Lower, Includes Key Nos. 3-4	
	49177-023	Upper/Lower, Includes Key Nos. 3-6	
	49177-025	Upper/Lower, Includes Key Nos. 3-6, 9-11	
	49177-033	Lower, Includes Key Nos. 2-4	
3		*1/2" Flat Washer	8
4		*1/2"-13 UNC Locknut	8
5		*3/4" Flat Washer	4
6		*3/4"-16 UNF Locknut	4
7		Upper Air Spring Bracket	4
a	65868-000	FIREMAAX 27K S•54K S 8 1/2"-10" Ride Height	
b		PRIMAAX EX 23K T•46K T•69K T; FIREMAAX EX 24K T•48K T 12 1/2", 14 3/8" Ride Height	
c	65031-003 65031-004	15 1/2" Ride Height	
	65031-008 65031-009	PRIMAAX EX 26K ST•52K ST•78K ST; FIREMAAX EX 27K ST•54K ST 12 1/2", 14 3/8" Ride Height 15 1/2" Ride Height	
8 a	59479-003	Air Spring Gusset (if equipped)	2
b	59479-004	Air Spring Gusset (if equipped)	2
9		*3/4"-10 UNC x 2" Bolt	4
10		*3/4" Flat Washer	8
11		*3/4"-10 UNC Locknut	4



■ PRIMAAX EX • PRIMAAX Series Severe Service Kits

<p>Severe Service Kit No. 60632-033</p>	<p>QUIK-ALIGN Pivot Bushing Axle Set</p>	<p>Reference Lit. No. 59310-037</p>		<p>KIT NO. 60632-033 PRIMAAX EX/FIREMAAX EX • PRIMAAX/FIREMAAX 8½"-10" Ride Height</p>	<table border="1"> <thead> <tr> <th>KEY NO.</th> <th>CONTENTS</th> <th>KIT QTY.</th> </tr> </thead> <tbody> <tr> <td>1</td> <td>QUIK-ALIGN Concentric Collar</td> <td>2</td> </tr> <tr> <td>2</td> <td>QUIK-ALIGN Eccentric Collar</td> <td>2</td> </tr> <tr> <td>3</td> <td>1¼"-12 UNF x 8" Bolt</td> <td>2</td> </tr> <tr> <td>4</td> <td>1¼" Hardened Washer</td> <td>4</td> </tr> <tr> <td>5</td> <td>1¼"-12 UNF Nylocknut</td> <td>2</td> </tr> <tr> <td>6</td> <td>QUIK-ALIGN Pivot Bushing</td> <td>2</td> </tr> <tr> <td>7</td> <td>P-80 Bushing Lubricant - 10 ml., per Bushing 1</td> <td>2</td> </tr> </tbody> </table>	KEY NO.	CONTENTS	KIT QTY.	1	QUIK-ALIGN Concentric Collar	2	2	QUIK-ALIGN Eccentric Collar	2	3	1¼"-12 UNF x 8" Bolt	2	4	1¼" Hardened Washer	4	5	1¼"-12 UNF Nylocknut	2	6	QUIK-ALIGN Pivot Bushing	2	7	P-80 Bushing Lubricant - 10 ml., per Bushing 1	2
KEY NO.	CONTENTS	KIT QTY.																											
1	QUIK-ALIGN Concentric Collar	2																											
2	QUIK-ALIGN Eccentric Collar	2																											
3	1¼"-12 UNF x 8" Bolt	2																											
4	1¼" Hardened Washer	4																											
5	1¼"-12 UNF Nylocknut	2																											
6	QUIK-ALIGN Pivot Bushing	2																											
7	P-80 Bushing Lubricant - 10 ml., per Bushing 1	2																											
<p>Severe Service Kit No. 60632-015</p>	<p>QUIK-ALIGN Collar Axle Set</p>	<p>Reference Lit. No. 59310-037</p>		<p>KIT NO. 60632-015 PRIMAAX EX/FIREMAAX EX • PRIMAAX/FIREMAAX 8½"-10" Ride Height</p>	<table border="1"> <thead> <tr> <th>KEY NO.</th> <th>CONTENTS</th> <th>KIT QTY.</th> </tr> </thead> <tbody> <tr> <td>1</td> <td>QUIK-ALIGN Concentric Collar</td> <td>2</td> </tr> <tr> <td>2</td> <td>QUIK-ALIGN Eccentric Collar</td> <td>2</td> </tr> <tr> <td>3</td> <td>1¼"-12 UNF x 8" Bolt</td> <td>2</td> </tr> <tr> <td>4</td> <td>1¼" Hardened Washer</td> <td>4</td> </tr> <tr> <td>5</td> <td>1¼"-12 UNF Nylocknut</td> <td>2</td> </tr> </tbody> </table>	KEY NO.	CONTENTS	KIT QTY.	1	QUIK-ALIGN Concentric Collar	2	2	QUIK-ALIGN Eccentric Collar	2	3	1¼"-12 UNF x 8" Bolt	2	4	1¼" Hardened Washer	4	5	1¼"-12 UNF Nylocknut	2						
KEY NO.	CONTENTS	KIT QTY.																											
1	QUIK-ALIGN Concentric Collar	2																											
2	QUIK-ALIGN Eccentric Collar	2																											
3	1¼"-12 UNF x 8" Bolt	2																											
4	1¼" Hardened Washer	4																											
5	1¼"-12 UNF Nylocknut	2																											
<p>Severe Service Kit No. 58821-026</p>	<p>Top Pad Fasteners Axle Set</p>	<p>Reference Lit. No. 59310-036</p>		<p>KIT NO. 58821-026 PRIMAAX 230 • 460 • 690 230 T • 460 T • 690 T FIREMAAX 240 • 480 240 T • 480 T 8½"-10"-12½"-14½"-15½" Ride Height, Does Not Include Top Pad</p>	<table border="1"> <thead> <tr> <th>KEY NO.</th> <th>CONTENTS</th> <th>KIT QTY.</th> </tr> </thead> <tbody> <tr> <td>1</td> <td>M24 x 3-6G H-Coat Hex Bolt</td> <td>2</td> </tr> <tr> <td>2</td> <td>M24 Hardened Washer</td> <td>4</td> </tr> <tr> <td>3</td> <td>M24 x 3-6H Locknuts</td> <td>2</td> </tr> </tbody> </table>	KEY NO.	CONTENTS	KIT QTY.	1	M24 x 3-6G H-Coat Hex Bolt	2	2	M24 Hardened Washer	4	3	M24 x 3-6H Locknuts	2												
KEY NO.	CONTENTS	KIT QTY.																											
1	M24 x 3-6G H-Coat Hex Bolt	2																											
2	M24 Hardened Washer	4																											
3	M24 x 3-6H Locknuts	2																											

■ U-beam Assembly Enhancement Aftermarket Service Kit

PRIMAAX EX Series

U-beam Assembly Enhancement Aftermarket Service Kit No. 69565-001, Axle Set

Part Number	Description	Qty.	Comments
69351-000	Sikaflex 221 Polyurethane Sealant, 300 ml Tube	1	In the event any service to the suspension requiring disassembly of a U-beam assembly equipped with integrated end caps, the Loctite 277, tamper resistant caps and Sikaflex 221 polyurethane sealant must be properly installed to ensure components function to their highest efficiency. The U-beam assembly enhancement aftermarket service kit no. 69565-002 is also available for one wheel end.
69570-000	Loctite® 277 - 10 ml Bottle	1	
	*Tamper Resistant Cap	2	
	*7/8"-9 UNC x 3¾" Hex Bolt	2	
	*7/8" Hardened Washer	2	
NOTE: * Item included in kit/assembly only, part not sold separately.			

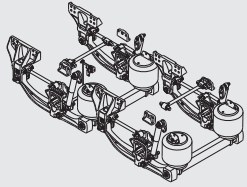


PRIMAAX EX 23K • 46K • 69K • 26KS • 52KS • 78KS

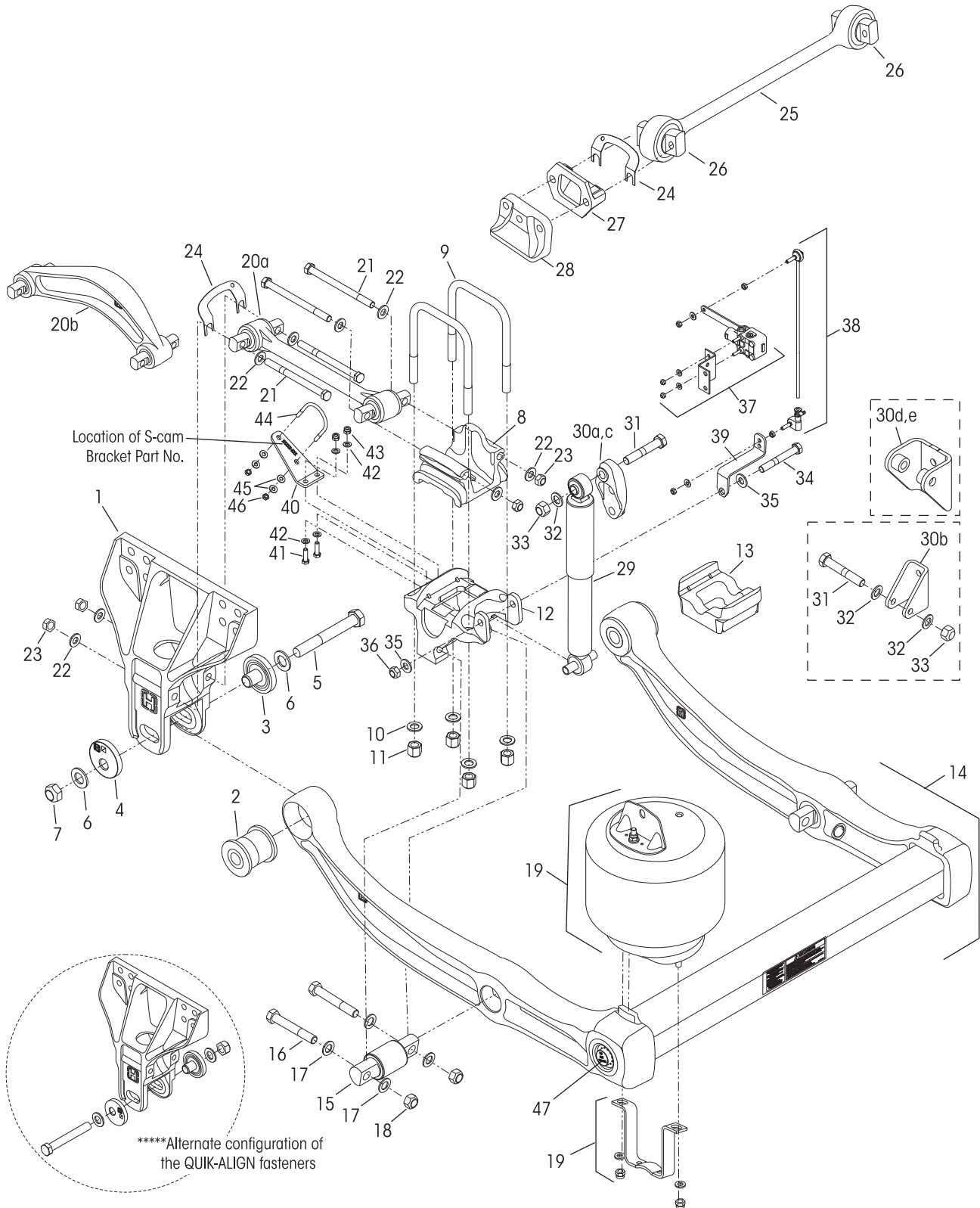
8½" – 10" Ride Height

FIREMAAX EX 24K • 48K • 27KS • 54KS

S – designates Small Clamp Group



PARTS LISTS





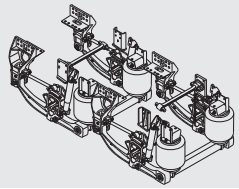
KEY NO.	PART NO.	DESCRIPTION	VEHICLE *QTY.
1	67706-000	EX Frame Hanger	4
		QUIK-ALIGN® Pivot Bushing Service Kit, Includes Key Nos. 2-7, 48	
	60961-720	One Wheel End	
	60632-020	Axle Set	
		QUIK-ALIGN Collar Service Kit, Includes Key Nos. 3-7	
	60632-019	One Wheel End, Replaces 60632-006	
	60632-021	Axle Set	
	60632-018	QUIK-ALIGN Fastener Service Kit, One Wheel End, Includes Key Nos. 5-7, Replaces 60632-005	
2		**QUIK-ALIGN Pivot Bushing	4
3		**QUIK-ALIGN Concentric Collar	4
4		**QUIK-ALIGN Eccentric Collar	4
5		**1"-1.4 UNF-2A x 7½" H-Coat Hex Bolt	4
6		**1" H-Coat Flat Washer	8
7		**1"-1.4 UNF-2B H-Coat Locknut	4
8	65289-000	Top Pad	4
		U-bolt Fasteners Service Kit, One Wheel End, Includes Key Nos. 9a-11	
	48718-129	Includes Key Nos. 9a-11	
	48718-130	Includes Key Nos. 9b-11	
9		**¾" Square U-bolt	8
a		8⅞" Length - 10" Ride Height	
b		10⅜" Length - 8½" Ride Height	
10		**¾" Flat Washer	16
11		**¾"-1.6 UNF U-bolt Locknut	16
12	60556-XXX	Bottom Cap - Front and Rear (Casting No. 60272-000), see Selection Guide on Page 265	4
13	65139-003	Axle Spacer, 8½" Ride Height	4
14		U-beam Assembly, Includes Key Nos. 2, 15	2
		• Front	
	67249-004	34.0" Frame Width	
	67249-012	34.3" Frame Width	
	67249-010	34.5" Frame Width	
	67249-024	34.8" Frame Width	
	67249-018	35.0" Frame Width	
		• Rear	
	67249-003	34.0" Frame Width	
	67249-011	34.3" Frame Width	
	67249-009	34.5" Frame Width	
	67249-023	34.8" Frame Width	
	67249-017	35.0" Frame Width	
		Single D-pin Bushing Service Kit, Includes Key Nos. 15, 16a, 17-18	
	34013-117	Includes Key Nos. 15, 16b, 17-18	
	34013-107	Includes Key Nos. 15, 16c, 17-18	
	34013-201	Includes Key Nos. 15, 16d, 17-18	
	34013-116	Includes Key Nos. 15, 16d, 17-18	
15		**D-pin Bushing	4
		D-pin Fastener Service Kit, Axle Set, Includes Key Nos. 16a, 17-18	
	56659-012	Includes Key Nos. 16b, 17-18	
	56659-009	Includes Key Nos. 16c, 17-18	
	56659-014	Includes Key Nos. 16d, 17-18	
	56659-013	Includes Key Nos. 16d, 17-18	
16		**¾"-1.6 UNF Bolt	8
a		4¾" Length	
b		5" Length	
c		5½" Length	
d		5½" Length	
17		**¾" Flat Washer	16
18		**¾"-1.6 UNF Locknut	8
19		Air Spring Assembly, Configuration may vary per suspension capacity, see Selection Guide on Page 268	4

KEY NO.	PART NO.	DESCRIPTION	VEHICLE *QTY.
20	a, b	Longitudinal Torque Rod Assembly <i>See Selection Guide on Page 265</i>	4
	49176-032	Longitudinal Torque Rod Bolt Service Kit, One Torque Rod, Includes Key Nos. 21-23	
21		**⅝"-1.1 UNC-2B x 8" Bolt	16
22		**⅝" Flat Washer	32
23		**⅝"-1.1 UNC-2A Locknut	16
24	49689-000L	Shim	As Req.
25	72000-XXXS	***ULTRA ROD® PLUS™ Transverse Torque Rod Assembly, Includes Bushings, Specify length in mm	2
26	64400-002L	Bushing - Straddle Bar Pin (⅝" Holes)	4
27	22186-000	Transverse Torque Rod Frame Bracket	2
28	60593-000L	Axle Stop, Frame Mounted	4
29		Shock Absorber	4
a	60657-003L	Standard	
b	70807-001	FIREMAAX, (Not Shown) <i>New and retrofitted models, not interchangeable with 29a</i>	
30		Upper Shock Frame Bracket	4
a	67463-002	Standard Cast	
b	59423-001	Standard Fabricated Clevis	
c	78250-002	High Strength Cast, <i>use with 29b</i>	
d	78896-001	High Strength Clevis, High Mount, <i>use with 29b</i>	
e	78896-002	High Strength Clevis, Low Mount, <i>use with 29b</i>	
		Shock Absorber Fastener Service Kits	
	50754-012	Axle Set, Includes Key Nos. 31a, 32-36	
	50754-044	Axle Set, Includes Key Nos. 31b, 32-36	
	50754-055	Axle Set, Includes Key Nos. 31c, 32-36	
	50754-051	Axle Set, Includes Key Nos. 31d, 32-36	
31		**¾"-1.0 UNC Upper Shock Bolt	4
a		3¾", <i>use with 30b</i>	
b		4¼", <i>use with 30a, b</i>	
c		5", <i>use with 30c and Oshkosh Bracket</i>	
d		6½", <i>use with 30d, e</i>	
32		**¾" Flat Washer	As Req.
33		**¾"-1.0 UNC Locknut	4
34		**⅝"-1.1 UNC x 6" Lower Shock Bolt	4
35		**⅝" Flat Washer	8
36		**⅝"-1.1 UNC-2B Locknut	4
	58525-019	Single Height Control Valve Assembly Service Kit, Includes Key Nos. 37-39	
37	57977-000	Height Control Valve Assembly	As Req.
38	58994-005L	HCV Linkage Assembly	As Req.
39		**Height Control Valve Linkage Bracket	As Req.
		NOTE Key Nos. 40-46 are not required if equipped with 20b and Air Disc Brake	
40	64508-XXX	S-cam Support Bracket, <i>locate Part No. on component</i>	4
	58821-017	S-cam Fastener Service Kit, Axle Set, Includes Key Nos. 41-46	
41		**⅜"-1.6 UNC x 1¼" Hex Bolt	8
42		**⅜" Hardened Washer	16
43		**⅜"-1.6 UNC Locknut	8
44		**⅝"-1.8 S-Cam U-bolt	4
45		**⅝"-1.8 Hardened Washer	16
46		**⅝"-1.8 UNC Locknut	8
47	69565-001	U-beam Assembly Enhancement Aftermarket Service Kit, Axle Set, see Page 269 for contents	
48	70867-001	P-80 Lubricant - 10 ml (Not Shown) per Bushing	1

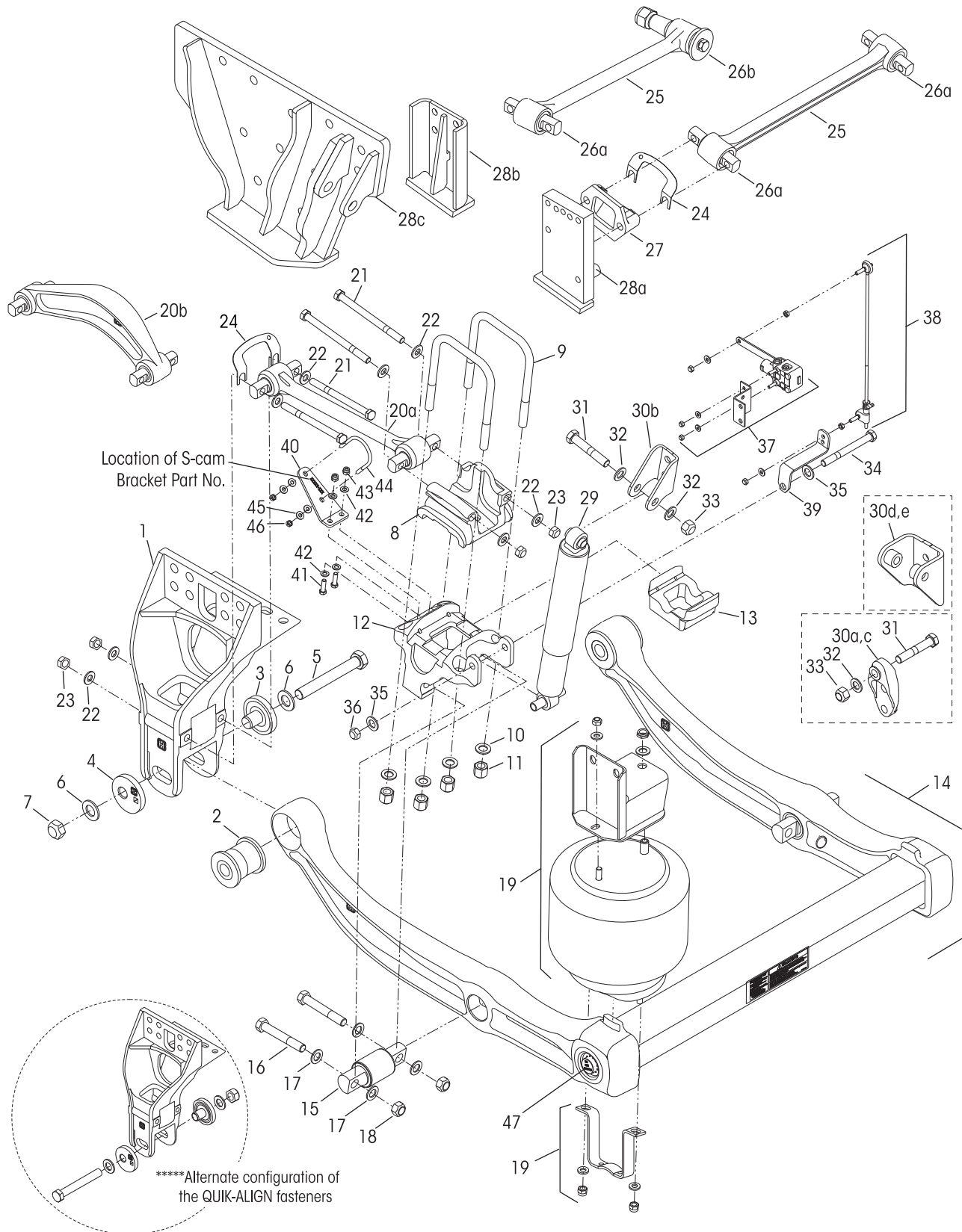


PRIMAAX EX 23KT • 46KT • 69KT
 PRIMAAX EX 26KST • 52KST • 78KST
 FIREMAAX EX 24KT • 48KT • 27KST • 54KST

12½" – 14¾" – 15½" Ride Height
 S – designates Small Clamp Group
 T – designates Tall Ride Heights



PARTS LISTS





KEY NO.	PART NO.	DESCRIPTION	VEHICLE *QTY.
1	67299-001	Left Hand EX Frame Hanger	2
	67299-002	Right Hand EX Frame Hanger	2
		QUIK-ALIGN Pivot Bushing Service Kit , Includes Key Nos. 2-7, 48	
	60961-720	One Wheel End	
	60632-020	Axle Set	
		QUIK-ALIGN Collar Service Kit , Includes Key Nos. 3-7	
	60632-019	One Wheel End , Replaces 60632-006	
	60632-021	Axle Set	
	60632-018	QUIK-ALIGN Fastener Service Kit, One Wheel End , Includes Key Nos. 5-7, Replaces 60632-005	
2		**QUIK-ALIGN Pivot Bushing	4
3		**QUIK-ALIGN Concentric Collar	4
4		**QUIK-ALIGN Eccentric Collar	4
5		**1" -1.4 UNF-2A x 7½" H-Coat Hex Bolt	4
6		**1" H-Coat Flat Washer	8
7		**1" -1.4 UNF-2B H-Coat Locknut	4
8	65289-000	Top Pad	4
		U-bolt Service Kit, One Wheel End , Includes Key Nos. 9a-11	
	48718-129	Includes Key Nos. 9a-11	
	48718-130	Includes Key Nos. 9b-11	
9		**¾" Square U-bolt	8
a		8⅞" Length - 14⅜"-15½" Ride Height	
b		10⅞" Length - 12½" Ride Height	
10		**¾" Flat Washer	16
11		**¾"-16 UNF U-bolt Locknut	16
12	60556-XXX	Bottom Cap, see Page 265 for Part No. Location	4
13	65139-003	Axle Spacer - 12½" Ride Height	4
14		U-beam Assembly, Includes Key Nos. 2, 15	2
		• Front	
	67249-004	34.0" Frame Width	
	67249-012	34.3" Frame Width	
	67249-010	34.5" Frame Width	
	67249-024	34.8" Frame Width	
	67249-018	35.0" Frame Width	
		• Rear	
	67249-003	34.0" Frame Width	
	67249-011	34.3" Frame Width	
	67249-009	34.5" Frame Width	
	67249-023	34.8" Frame Width	
	67249-017	35.0" Frame Width	
		Single D-pin Bushing Service Kit , Includes Key Nos. 15, 16a, 17-18	
	34013-117	Includes Key Nos. 15, 16b, 17-18	
	34013-107	Includes Key Nos. 15, 16c, 17-18	
	34013-201	Includes Key Nos. 15, 16d, 17-18	
	34013-116	Includes Key Nos. 15, 16d, 17-18	
15		**D-pin Bushing	4
		D-pin Fastener Service Kit, Axle Set , Includes Key Nos. 16a, 17-18	
	56659-012	Includes Key Nos. 16b, 17-18	
	56659-009	Includes Key Nos. 16c, 17-18	
	56659-014	Includes Key Nos. 16c, 17-18	
	56659-013	Includes Key Nos. 16d, 17-18	
16		**¾"-16 UNF Bolt	8
a		4¾" Length	
b		5" Length	
c		5½" Length	
d		5½" Length	
17		**¾" Flat Washer	16
18		**¾"-16 UNF Locknut	8
19		Air Spring Assembly, Configuration may vary per suspension capacity, see Selection Guide on Page 268	4
20 a, b		Longitudinal Torque Rod Assembly See Selection Guide on Page 265	4
	49176-032	Longitudinal Torque Rod Bolt Service Kit, One Torque Rod , Includes Key Nos. 21-23	
21		**⅝"-11 UNC x 8" Bolt	16

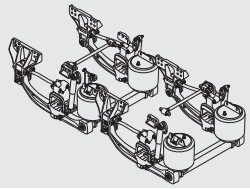
KEY NO.	PART NO.	DESCRIPTION	VEHICLE *QTY.
22		**⅝" Flat Washer	32
23		**⅝"-11 UNC Locknut	16
24	49689-000L	Shim	As Req.
25		***Transverse Torque Rod Assembly, Includes Bushing	2
	62250-515	Terex Advance Mixer Vehicles	
	62000-620	Oshkosh Truck Vehicles	
	62000-630	Oshkosh Truck Vehicles	
26a	47691-000L	Straddle Bar Pin Bushing	
b	64809-000L	Taper Pin Bushing, Includes Fasteners	
27	22186-000	Transverse Torque Rod Frame Bracket	2
28		Axle Stop, Frame Mounted	4
a	64696-002	RH Rear - Oshkosh	
	64696-003	LH Front - Oshkosh	
b	64692-001	LH Rear - Indiana Phoenix, Oshkosh	
	64692-004	RH Front- Oshkosh	
	64692-006	RH Front- Indiana Phoenix	
c	77773-001	RH Rear - Oshkosh, not interchangeable w/28a,b	
	77773-002	LH Front - Oshkosh, not interchangeable w/28a,b	
29		Shock Absorber	4
a	60657-003L	Standard	
b	70807-001	FIREMAAX, (Not Shown) New and retrofitted models, not interchangeable with 29a	
		Oshkosh Truck Vehicles	
c	60665-011	Oshkosh Truck Vehicles	
30		Upper Shock Frame Bracket	4
a	67463-002	Standard Cast	
b	59423-001	Standard Fabricated Clevis	
c	78250-002	High Strength Cast, use with 29b	
d	78896-001	High Strength Clevis, High Mount, use with 29b	
e	78896-002	High Strength Clevis, Low Mount, use with 29b	
		Shock Absorber Fastener Service Kit	
	50754-012	Axle Set , Includes Key Nos. 31a, 32-36	
	50754-044	Axle Set , Includes Key Nos. 31b, 32-36	
	50754-055	Axle Set , Includes Key Nos. 31c, 32-36	
	50754-051	Axle Set , Includes Key Nos. 31d, 32-36	
31		**¾"-10 UNC Upper Shock Bolt	4
a		3¾", use with 30b	
b		4¼", use with 30a,b	
c		5", use with 30c	
d		6½", use with 30d,e	
32		**¾" Flat Washer	As Req.
33		**¾"-10 UNC Locknut	4
34		**⅝"-11 UNC x 6" Lower Shock Bolt	4
35		**⅝" Flat Washer	8
36		**⅝"-11 UNC-2B Locknut	4
	58525-019	Single Height Control Valve Assembly Service Kit , Includes Key Nos. 37, 38b, 39	
37	57977-000	Height Control Valve Assembly	As Req.
38		HCV Linkage Assembly	As Req.
a	58994-031	7.48" Length, Terex Only	
b	58994-005L	14.84" Length	
c	58994-029	20.24" Length	
39		**Height Control Valve Linkage Bracket	As Req.
	NOTE	Key Nos. 40-46 not required if equipped with 20b and Air Disc Brake	
40	64508-XXX	S-cam Support Bracket, Locate part number on component	4
	58821-017	S-cam Fastener Service Kit, Axle Set , Includes Key Nos. 41-46	
41		**⅜"-16 UNC x 1¼" Hex Bolt	8
42		**⅜" Hardened Washer	16
43		**⅜"-16 UNC Locknut	8
44		**⅝" S-Cam U-bolt	4
45		**⅝" Hardened Washer	16
46		**⅝"-18 UNC Locknut	8
47	69565-001	U-beam Assembly Enhancement Aftermarket Service Kit, Axle Set , see Page 269 for contents	
48	70867-001	P-80 Lubricant - 10 ml (Not Shown) per Bushing 1	



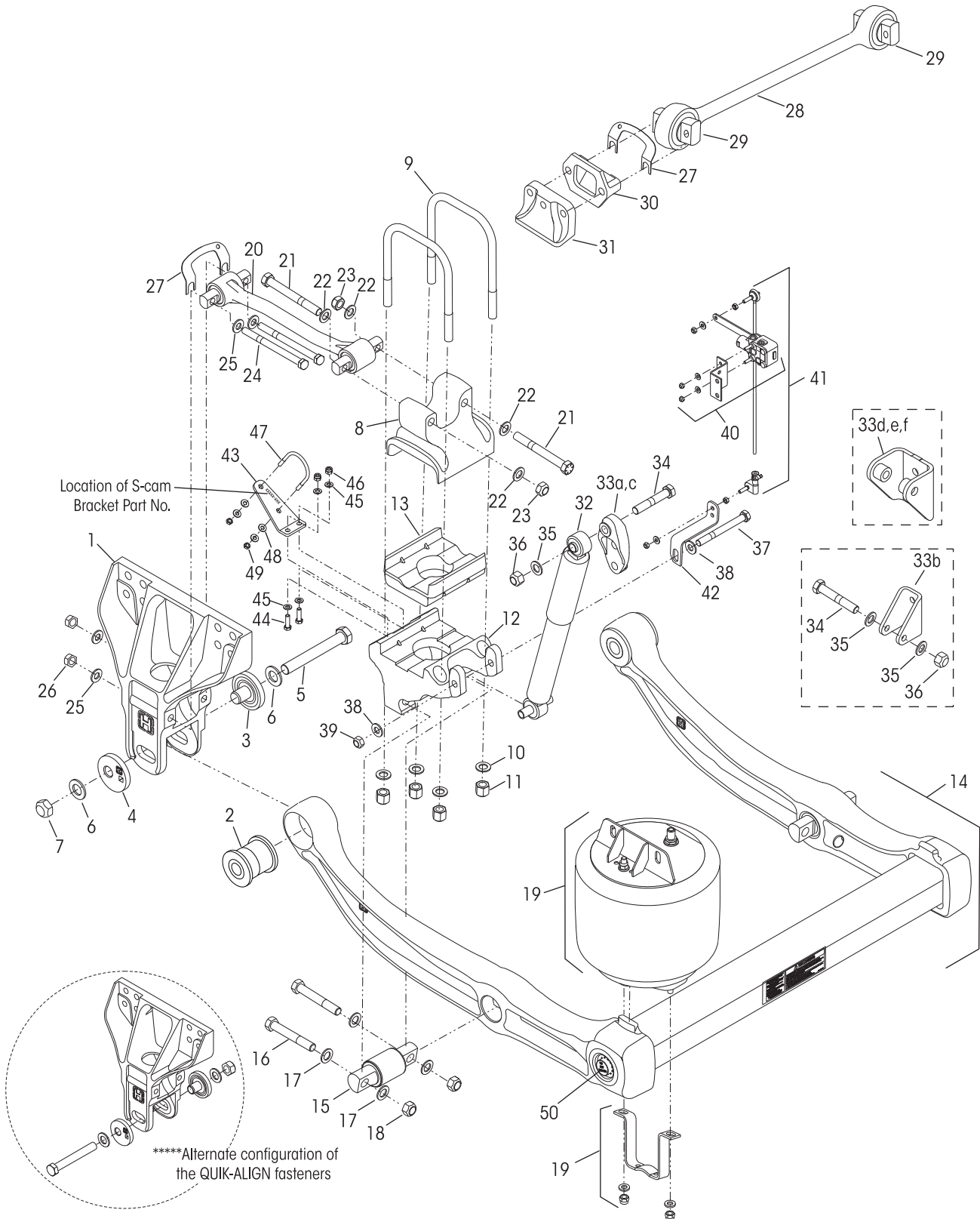
PRIMAAX EX 26K • 52K • 78K

FIREMAAX EX 27K • 31K • 54K • 62K

8½" – 10" Ride Height
Equipped with Drum Brakes



PARTS LISTS





KEY NO.	PART NO.	DESCRIPTION	VEHICLE *QTY.
1	67706-000	EX Frame Hanger	4
		QUIK-ALIGN Pivot Bushing Service Kit, Includes Key Nos. 2-7, 51	
	60961-720	One Wheel End	
	60632-020	Axle Set	
		QUIK-ALIGN Collar Service Kit, Includes Key Nos. 3-7	
	60632-019	One Wheel End, Replaces 60632-006	
	60632-021	Axle Set	
	60632-026	Axle Set, Pierce Only	
	60632-018	QUIK-ALIGN Fastener Service Kit, One Wheel End, Includes Key Nos. 5-7, Replaces 60632-005	
2		**QUIK-ALIGN Pivot Bushing	4
3		**QUIK-ALIGN Concentric Collar	4
4		**QUIK-ALIGN Eccentric Collar	4
5		**1" 14 UNF-2A x 7½" H-Coat Hex Bolt	4
6		**1" H-Coat Flat Washer	8
7		**1" 14 UNF-2B H-Coat Locknut	4
8		Top Pad, see <i>Illustration on Page 266</i>	4
		U-bolt Service Kit, One Wheel End,	
	48718-120	10" Ride Height, Includes Key Nos. 9a-9b, 10-11	
	48718-121	8½" Ride Height, Includes Key Nos. 9c-9d, 10-11	
9		**¾" Square U-bolt	8
a		10", Outboard 10" Ride Height	
b		10½", Inboard 10" Ride Height	
c		11½", Outboard 8½" Ride Height	
d		12", Inboard 8½" Ride Height	
10		**¾" Flat Washer	16
11		**¾"-16 UNF U-bolt Locknut	16
12		Bottom Cap - Front and Rear See <i>Selection Guide on Page 266</i>	4
13		Axle Spacer - Front and Rear See <i>Selection Guide on Page 266</i>	4
14		U-beam Assembly, Includes Key Nos. 2, 15	2
		• Front	
	67249-006	34.0" Frame Width	
	67249-014	34.3" Frame Width	
	67249-016	34.5" Frame Width	
	67249-026	34.8" Frame Width	
		• Rear	
	67249-005	34.0" Frame Width	
	67249-013	34.3" Frame Width	
	67249-015	34.5" Frame Width	
	67249-025	34.8" Frame Width	
	34013-114	Single D-pin Bushing Service Kit, Includes Key Nos. 15-18	
15		**D-pin Bushing	4
	56659-010	D-pin Fastener Service Kit, Axle Set, Includes Key Nos. 16-18	
16		**7/8"-14 UNF x 5" Bolt	8
17		**7/8" Flat Washer	16
18		**7/8"-14 UNF Locknut	8
		Air Spring Assembly, Configuration may vary per suspension capacity, see <i>Selection Guide on Page 268</i>	4
19		Longitudinal Torque Rod Assembly See <i>Selection Guide on Page 267</i>	4
		Longitudinal Torque Rod Fastener Service Kit,	
	49176-031	Axle Set, Includes Key Nos. 21-26	
	49176-032	Axle Set, Includes Key Nos. 24-26	

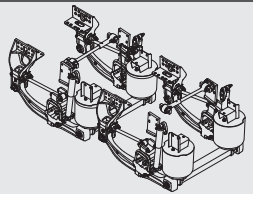
KEY NO.	PART NO.	DESCRIPTION	VEHICLE *QTY.
20		**¾"-16 UNF x 6" Hex Bolt	8
21		**¾" Flat Washer	16
22		**¾"-16 UNF Locknut	8
23		**5/8"-11 UNC-2B x 8" Bolt	8
24		**5/8" Flat Washer	16
25		**5/8"-11 UNC-2A Locknut	8
26	49689-000L	Shim	As Req.
27	72000-XXXS	***ULTRA ROD PLUS Transverse Torque Rod Assembly, Includes Bushings, Specify length in mm	2
28	64400-002L	Bushing - Straddle Bar Pin - 5/8" Holes	4
29	22186-000	Transverse Torque Rod Frame Bracket	2
30	60593-000L	Axle Stop, Frame Mounted	4
31		Shock Absorber	4
a	60665-013L	Standard with Drum Brakes	
b	68069-002	FIREMAAX EX 31K+62K - Old Setup	
c	70807-002	FIREMAAX EX, (Not Shown) <i>New and retrofitted models, not interchangeable with 32a,b</i>	
32		Upper Shock Frame Bracket	4
a	67463-002	Standard Cast	
b	59423-001	Standard Fabricated Clevis	
c	59423-002	FIREMAAX EX 31K+62K, use with 33b	
d	78250-002	High Strength Cast, use with 33c	
e	78896-001	High Strength Clevis, High Mount, use with 33c	
f	78896-002	High Strength Clevis, Low Mount, use with 33c	
		Shock Absorber Fastener Service Kits	
	50754-034	Axle Set, Includes Key Nos. 34a, 35-39	
	50754-036	Axle Set, Includes Key Nos. 34b, 35-39	
	50754-056	Axle Set, Includes Key Nos. 34c, 35-39	
	50754-050	Axle Set, Includes Key Nos. 34d, 35-39	
33		**¾"-10 UNC Upper Shock Bolt	4
a		3¾", use with 33b	
b		4¼", use with 33a,b,c	
c		5", use with 33d	
d		6½", use with 33e,f	
34		**¾" Flat Washer	As Req.
35		**¾"-10 UNC Locknut	4
36		**5/8"-11 UNC x 7" Lower Shock Bolt	4
37		**5/8" Flat Washer	8
38		**5/8"-11 UNC-2B Locknut	4
	58525-019	Single Height Control Valve Assembly Service Kit, Includes Key Nos. 40-42	
39	57977-000	Height Control Valve Assembly	As Req.
40	58994-005L	HCV Linkage Assembly	As Req.
41		**Height Control Valve Linkage Bracket	As Req.
42	64508-XXX	S-cam Support Bracket, <i>Locate part number on component</i>	4
	58821-017	S-cam Fastener Service Kit, Axle Set, Includes Key Nos. 44-49	
43		**5/8"-16 UNC x 1¼" Hex Bolt	8
44		**3/8" Hardened Washer	16
45		**3/8"-16 UNC Locknut	8
46		**5/16" S-Cam U-bolt	4
47		**5/16" Hardened Washer	16
48		**5/16"-18 UNC Locknut	8
49	69565-001	U-beam Assembly Enhancement Aftermarket Service Kit, Axle Set, see <i>Page 269 for contents</i>	
50	70867-001	P-80 Lubricant - 10 ml (Not Shown) per Bushing	1
	30272-000	Pressure Protection Valve, E-One Fire/Rescue Vehicles Only (Not Shown)	1



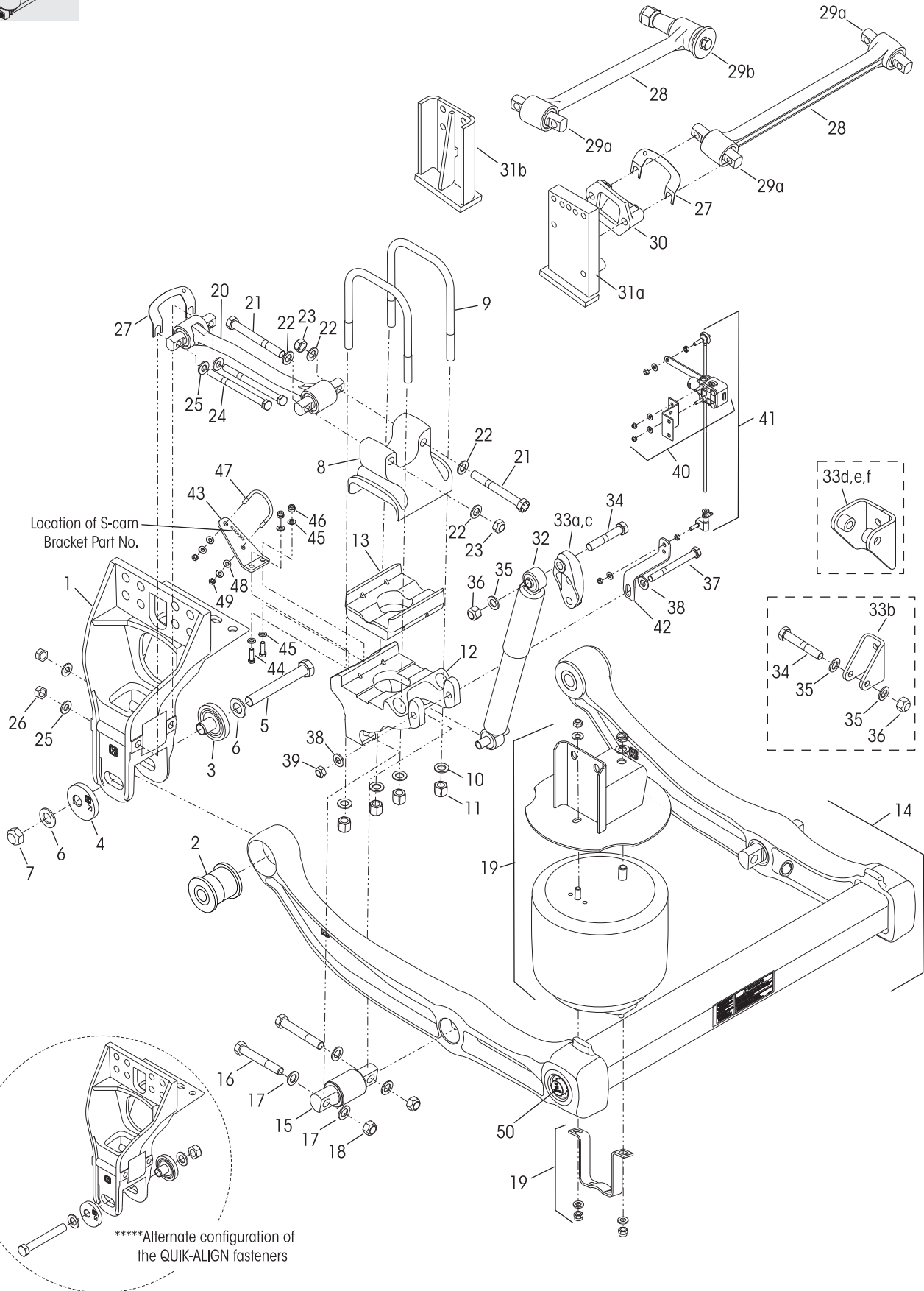
PRIMAAX EX 26KT • 52KT • 78KT

FIREMAAX EX 27KT • 31KT • 54KT • 62KT

14³/₈" – 15¹/₂" Ride Height
Equipped with Drum Brakes
T – designates Tall Ride Heights



PARTS LISTS





VEHICLE				VEHICLE			
KEY NO.	PART NO.	DESCRIPTION	*QTY.	KEY NO.	PART NO.	DESCRIPTION	*QTY.
1	67299-001	Left Hand EX Frame Hanger	2	24		**5/8"-11 UNC-2B x 8" Bolt	8
	67299-002	Right Hand EX Frame Hanger	2	25		**5/8" Flat Washer	16
		QUIK-ALIGN Pivot Bushing Service Kit, Includes Key Nos. 2-7, 51		26		**5/8"-11 UNC-2A Locknut	8
	60961-720	One Wheel End		27	49689-000L	Shim	As Req.
	60632-020	Axle Set		28		***Transverse Torque Rod Assembly, Includes Bushing	2
		QUIK-ALIGN Collar Service Kit, Includes Key Nos. 3-7			62250-515	Terex Advance Mixer Vehicles	
	60632-019	One Wheel End			62000-620	Oshkosh Truck Vehicles	
	60632-021	Axle Set			62000-630	Oshkosh Truck Vehicles	
	60632-026	Axle Set, Pierce Only		29a	47691-000L	Straddle Torque Rod Bushing	As Req.
	60632-018	QUIK-ALIGN Fastener Service Kit, One Wheel End, Includes Key Nos. 5-7		b	64809-000L	Taper Pin Bushing, Includes Fasteners	
2		**QUIK-ALIGN Pivot Bushing	4	30	22186-000	Transverse Torque Rod Frame Bracket	2
3		**QUIK-ALIGN Concentric Collar	4	31		Axle Stop, Frame Mounted	4
4		**QUIK-ALIGN Eccentric Collar	4	a	64696-002	RH Rear - Oshkosh	
5		**1" -14 UNF-2A x 7 1/2" H-Coat Hex Bolt	4	a	64696-003	LH Front - Oshkosh	
6		**1" H-Coat Flat Washer	8	b	64692-001	LH Rear - Indiana Phoenix, Oshkosh	
7		**1" -14 UNF-2B H-Coat Locknut	4	b	64692-004	RH Front- Oshkosh	
8		Top Pad, <i>see Illustration on Page 266</i>	4	b	64692-006	RH Front- Indiana Phoenix	
		U-bolt Service Kit, One Wheel End,		32		Shock Absorber	4
	48718-120	14 3/8"-15 1/2" Ride Height, Includes Key Nos. 9a, b, 10-11		a	60665-013L	Standard	
	48718-121	12 1/2" Ride Height, Includes Key Nos. 9c, d, 10-11		b	68069-002	FIREMAAX EX 31K •62K - Old Setup	
9		**3/4" Square U-bolt	8	c	70807-002	FIREMAAX EX, (Not Shown) <i>New and retrofitted models, not interchangeable with 32a, b</i>	
a		10", Outboard 14 3/8"-15 1/2" Ride Height		33		Upper Shock Frame Bracket	4
b		10 1/2", Inboard 14 3/8"-15 1/2" Ride Height		a	67463-002	Standard Cast	
c		11 1/2", Outboard 12 1/2" Ride Height		b	59423-001	Standard Fabricated Clevis	
d		12", Inboard 12 1/2" Ride Height		c	59423-002	FIREMAAX EX 31K•62K, <i>use with 32b</i>	
10		**3/4" Flat Washer	16	d	78250-002	High Strength Cast, <i>use with 32c</i>	
11		**3/4"-16 UNF U-bolt Locknut	16	e	78896-001	High Strength Clevis, High Mount, <i>use with 32c</i>	
12		Bottom Cap - Front and Rear <i>See Selection Guide on Page 266</i>	4	f	78896-002	High Strength Clevis, Low Mount, <i>use with 32c</i>	
13		Axle Spacer - Front and Rear <i>See Selection Guide on Page 266</i>	4			Shock Absorber Fastener Service Kits	
14		U-beam Assembly, Includes Key Nos. 2, 15	2		50754-034	Axle Set, Includes Key Nos. 34a, 35-39	
		• Front			50754-036	Axle Set, Includes Key Nos. 34b, 35-39	
	67249-006	34.0" Frame Width			50754-056	Axle Set, Includes Key Nos. 34c, 35-39	
	67249-014	34.3" Frame Width			50754-050	Axle Set, Includes Key Nos. 34d, 35-39	
	67249-016	34.5" Frame Width		34		**3/4"-10 UNC Upper Shock Bolt	4
	67249-026	34.8" Frame Width		a		3 3/4", <i>use with 33b</i>	
		• Rear		b		4 1/4", <i>use with 33a, b, c</i>	
	67249-005	34.0" Frame Width		c		5", <i>use with 33d</i>	
	67249-013	34.3" Frame Width		d		6 1/2", <i>use with 33e, f</i>	
	67249-015	34.5" Frame Width		35		**3/4" Flat Washer	As Req.
	67249-025	34.8" Frame Width		36		**3/4"-10 UNC Locknut	4
	34013-114	Single D-pin Bushing Service Kit, Includes Key Nos. 15-18		37		**5/8"-11 UNC x 6" Lower Shock Bolt	4
15		**D-pin Bushing	4	38		**5/8" Flat Washer	8
	56659-010	D-pin Fastener Service Kit, Axle Set, Includes Key Nos. 16-18		39		**5/8"-11 UNC-2B Locknut	4
16		**7/8"-14 UNF x 5" Bolt	8		58525-019	Single Height Control Valve Assembly Service Kit, Includes Key Nos. 40, 41a, 42	
17		**7/8" Flat Washer	16	40	57977-000	Height Control Valve Assembly	As Req.
18		**7/8"-14 UNF Locknut	8	41		HCV Linkage Assembly	As Req.
19		Air Spring Assembly, <i>Configuration may vary per suspension capacity, see Selection Guide on Page 268</i>	4	a	58994-005L	14.84" Length	
20		Longitudinal Torque Rod Assembly <i>See Selection Guide on Page 267</i>	4	b	58994-029	20.24" Length	
		Longitudinal Torque Rod Fastener Service Kit,		42		**Height Control Valve Linkage Bracket	As Req.
	49176-031	Axle Set, Includes Key Nos. 21-26		43	64508-XXX	S-cam Support Bracket, <i>Locate part number on component</i>	4
	49176-032	Axle Set, Includes Key Nos. 24-26			58821-017	S-cam Service Kit, Axle Set, Includes Key Nos. 44-49	
21		**3/4"-16 UNF x 6" Hex Bolt	8	44		**3/8"-16 UNC x 1 1/4" Hex Bolt	8
22		**3/4" Flat Washer	16	45		**3/8" Hardened Washer	16
23		**3/4"-16 UNF Locknut	8	46		**3/8"-16 UNC Locknut	8
				47		**5/16" S-Cam U-bolt	4
				48		**5/16" Hardened Washer	16
				49		**3/16"-18 UNC Locknut	8
				50	69565-001	U-beam Assembly Enhancement Aftermarket Service Kit, Axle Set, <i>see Page 269 for contents</i>	
				51	70867-001	P-80 Lubricant - 10 ml (Not Shown) per Bushing	1

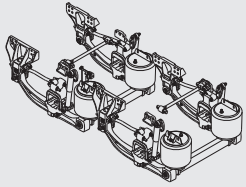


PRIMAAX EX 26K • 52K • 78K

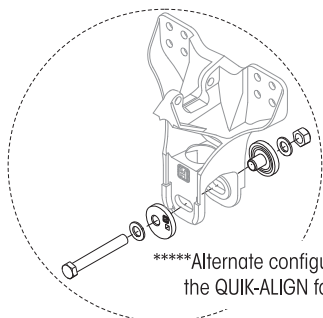
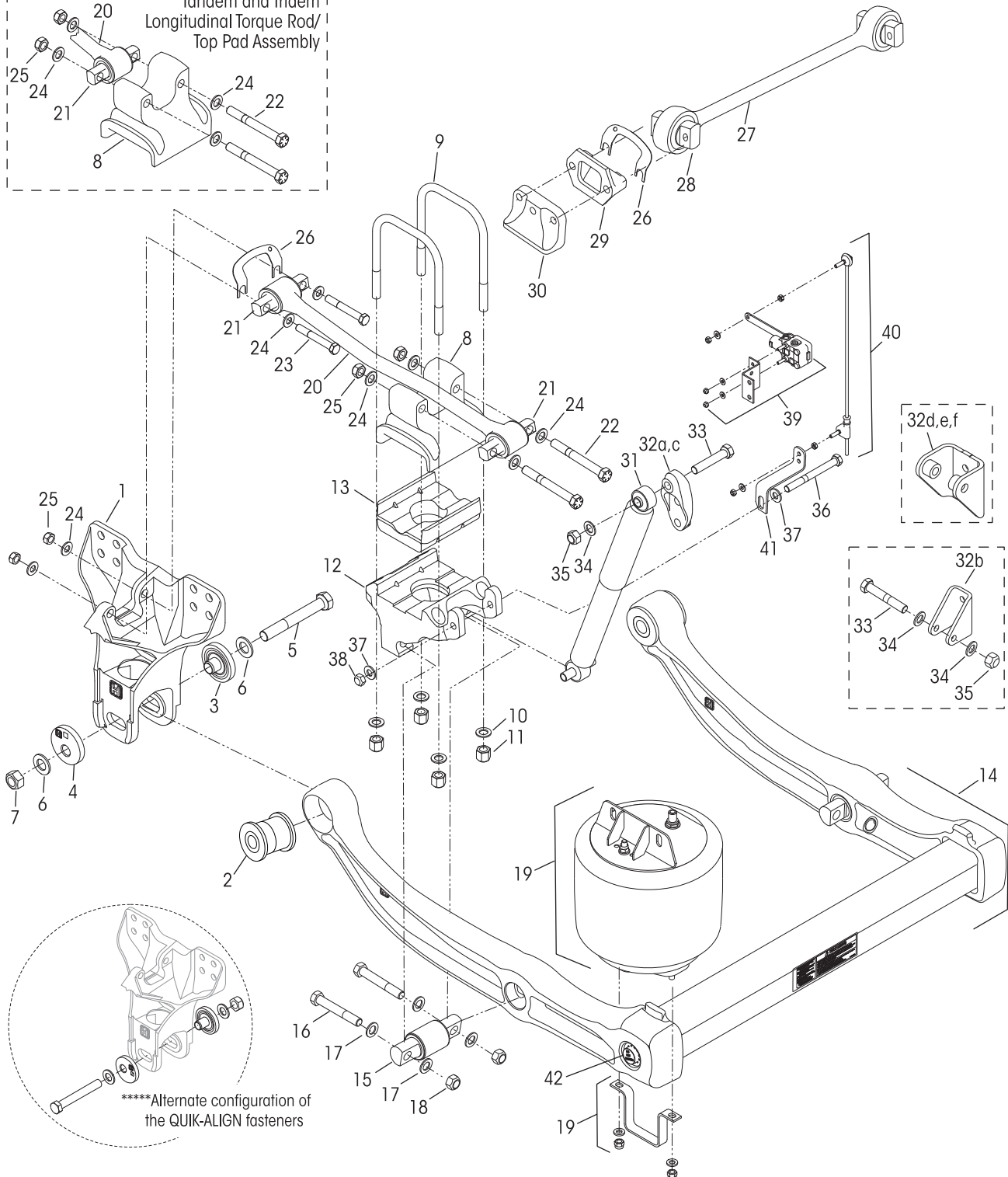
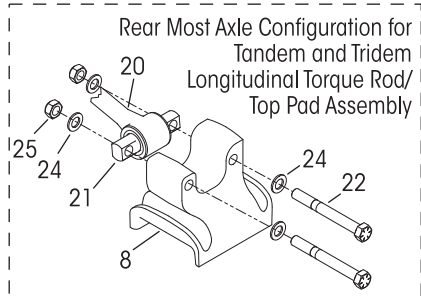
FIREMAAX EX 27K • 31K • 54K • 62K

8½" – 10" Ride Height

Equipped with Air Disc Brakes



PARTS LISTS





KEY NO.	PART NO.	DESCRIPTION	VEHICLE *QTY.
1	60821-001	Frame Hanger	4
		QUIK-ALIGN Pivot Bushing Service Kit , Includes Key Nos. 2-7, 43	
	60961-720	One Wheel End	
	60632-020	Axle Set	
		QUIK-ALIGN Collar Service Kit , Includes Key Nos. 3-7	
	60632-019	One Wheel End	
	60632-021	Axle Set	
	60632-018	QUIK-ALIGN Fastener Service Kit, One Wheel End , Includes Key Nos. 5-7	
2		**QUIK-ALIGN Pivot Bushing	4
3		**QUIK-ALIGN Concentric Collar	4
4		**QUIK-ALIGN Eccentric Collar	4
5		**1"-1.4 UNF-2A x 7½" H-Coat Hex Bolt	4
6		**1" H-Coat Flat Washer	8
7		**1"-1.4 UNF-2B H-Coat Locknut	4
8		Top Pad, <i>see Illustration on Page 266</i>	4
		U-bolt Service Kit, One Wheel End , Includes Key Nos. 9a, b, 10-11	
	48718-120	Includes Key Nos. 9a, b, 10-11	
	48718-121	Includes Key Nos. 9c, d, 10-11	
9		**¾" Square U-bolt	8
a		10", Outboard 10" Ride Height	
b		10½", Inboard 10" Ride Height	
c		11½", Outboard 8½" Ride Height	
d		12", Inboard 8½" Ride Height	
10		**¾" Flat Washer	16
11		**¾"-1.6 UNF U-bolt Locknut	16
12		Bottom Cap - Front and Rear <i>See Selection Guide on Page 266</i>	4
13		Axle Spacer, <i>see Selection Guide on Page 266</i>	4
14		U-beam Assembly, Includes Key Nos. 2, 15	2
		• Front	
	67249-006	34.0" Frame Width	
	67249-014	34.3" Frame Width	
	67249-016	34.5" Frame Width	
	67249-026	34.8" Frame Width	
		• Rear	
	67249-005	34.0" Frame Width	
	67249-013	34.3" Frame Width	
	67249-015	34.5" Frame Width	
	67249-025	34.8" Frame Width	
	34013-114	Single D-pin Bushing Service Kit , Includes Key Nos. 15-18	
15		**D-pin Bushing	4
	56659-010	D-pin Fastener Service Kit, Axle Set , Includes Key Nos. 16-18	
16		**7/8"-1.4 UNF x 5" Bolt	8
17		**7/8" Flat Washer	16
18		**7/8"-1.4 UNF Locknut	8
19		Air Spring Assembly, <i>Configuration may vary per suspension capacity, see Selection Guide on Page 268</i>	4

KEY NO.	PART NO.	DESCRIPTION	VEHICLE *QTY.
20		Longitudinal Torque Rod Assembly <i>See Selection Guide on Page 267</i>	4
21	69210-000L	Bushing - Straddle Bar Pin (¾" Holes)	8
	49176-017	Longitudinal Torque Rod Fastener Kit, One Wheel End , Includes Key No. 22-25	
22		**¾"-1.6 UNF 6" Hex Bolt	8
23		**¾"-1.6 UNF 3¾" Hex Bolt	8
24		**¾" Flat Washer	32
25		**¾"-1.6 UNF Locknut	16
26	49689-000L	Shim	As Req.
27	72000-XXXS	***ULTRA ROD PLUS Transverse Torque Rod Assembly, Includes Bushings, Specify length in mm	2
28	64400-002L	Bushing - Straddle Bar Pin - 5/8" Holes	4
29	22186-000	Transverse Torque Rod Frame Bracket	2
30	60593-000L	Axle Stop, Frame Mounted	4
31		Shock Absorber	4
a	60665-015	Standard with Air Disc Brake	
b	68069-002	FIREMAAX EX 31K+62K - Old Setup	
c	70807-002	FIREMAAX EX, (Not Shown) <i>New and retrofitted models, not interchangeable with 31a,b</i>	
32		Upper Shock Frame Bracket	4
a	67463-002	Standard Cast	
b	59423-001	Standard Fabricated Clevis	
c	59423-002	FIREMAAX 31K+62K, <i>use with 31b</i>	
d	78250-002	High Strength Cast, <i>use with 31c</i>	
e	78896-001	High Strength Clevis, High Mount, <i>use with 31c</i>	
f	78896-002	High Strength Clevis, Low Mount, <i>use with 31c</i>	
		Shock Absorber Fastener Service Kits	
	50754-036	Axle Set , Includes Key Nos. 33a, 34-38	
	50754-056	Axle Set , Includes Key Nos. 33b, 34-38	
	50754-050	Axle Set , Includes Key Nos. 33c, 34-38	
33		**¾"-1.0 UNC Upper Shock Bolt	4
a		4¼", <i>use with 32a,b,c</i>	
b		5", <i>use with 32d</i>	
c		6½", <i>use with 32e,f</i>	
34		**¾" Flat Washer	As Req.
35		**¾"-1.0 UNC Locknut	4
36		**5/8"-1.1 UNC x 7" Lower Shock Bolt	4
37		**5/8" Flat Washer	8
38		**5/8"-1.1 UNC-2B Locknut	4
	58525-019	Single Height Control Valve Assembly Service Kit , Includes Key Nos. 39-41	
39	57977-000	Height Control Valve Assembly,	As Req.
40	58994-005L	HCV Linkage Assembly,	As Req.
41		**Height Control Valve Linkage Bracket	As Req.
42	69565-001	U-beam Assembly Enhancement Aftermarket Service Kit, Axle Set , <i>see Page 269 for contents</i>	
43	70867-001	P-80 Lubricant - 10 ml (Not Shown)	per Bushing 1



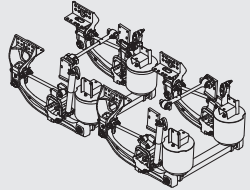
PRIMAAX EX 26KT • 52KT • 78KT

FIREMAAX EX 27KT • 31KT • 54KT • 62KT

12½" – 14¾" – 15½" Ride Height

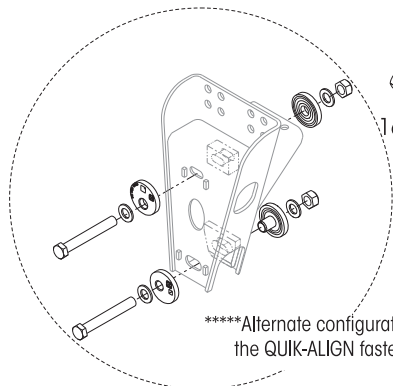
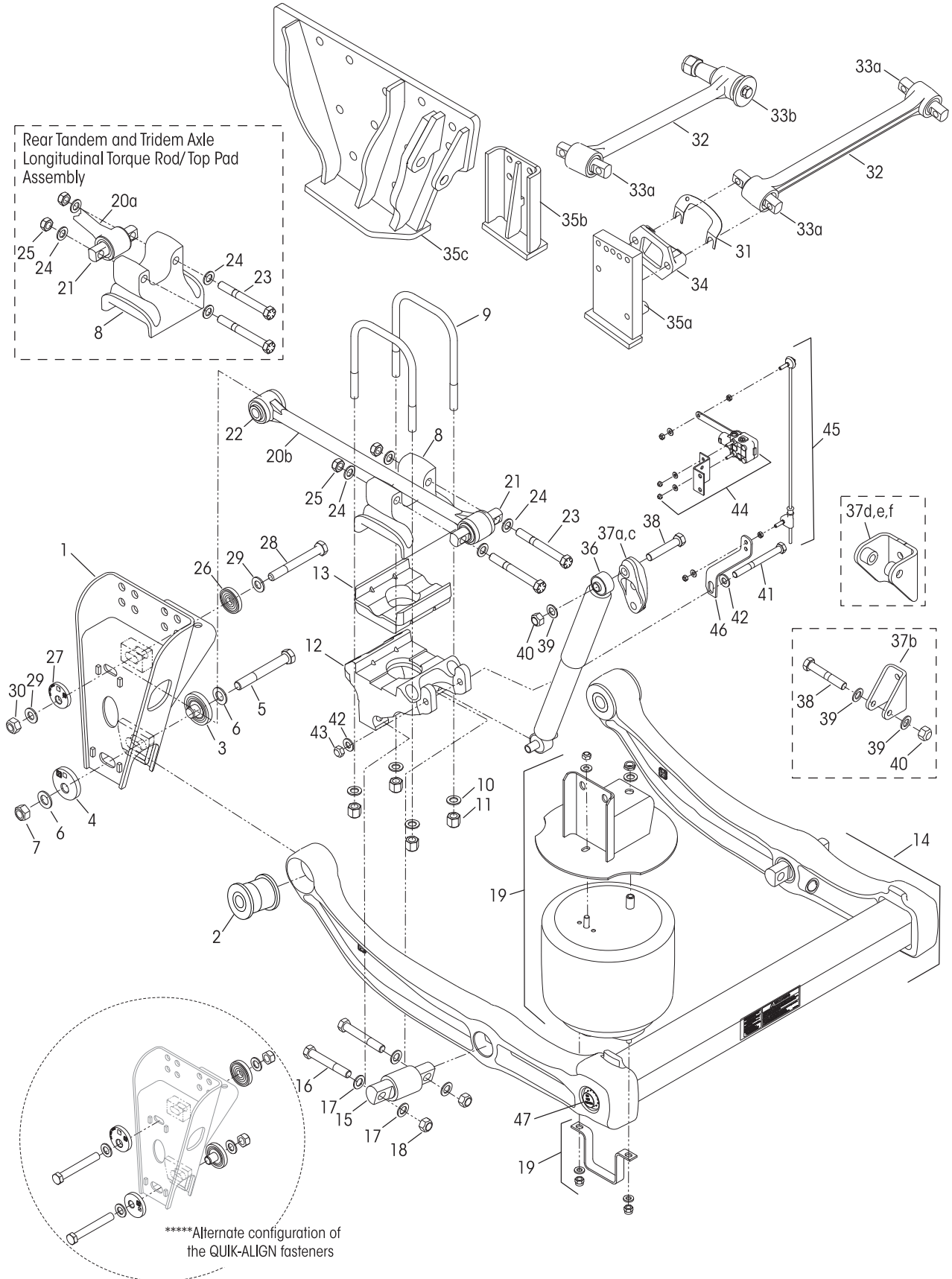
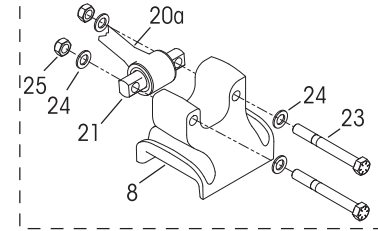
Equipped with Air Disc Brakes

T – designates Tall Ride Heights



PARTS LISTS

Rear Tandem and Tridem Axle
Longitudinal Torque Rod/ Top Pad
Assembly



****Alternate configuration of
the QUIK-ALIGN fasteners



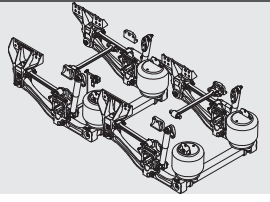
KEY NO.	PART NO.	DESCRIPTION	VEHICLE *QTY.	KEY NO.	PART NO.	DESCRIPTION	VEHICLE *QTY.
1		Frame Hanger	4	24		**¾" Flat Washer	16
	64451-001	Left Hand - Terex/IPI		25		**¾"-1.6 UNF Locknut	8
	64451-002	Right Hand - Terex/IPI			58821-011	Torque Rod QUIK-ALIGN Collar Bolt Service Kit, One Wheel End , Includes Key Nos. 26-30	
	64451-003	Left Hand - Oshkosh		26		**Torque Rod QUIK-ALIGN Concentric Collar	4
	64451-004	Right Hand - Oshkosh		27		**Torque Rod QUIK-ALIGN Eccentric Collar	4
	60632-022	QUIK-ALIGN Pivot Bushing & Torque Rod Service Kit, Axle Set , Includes Key Nos. 2-7, 26-30, 48		28		**7/8"-9 UNC x 7½" Hex Bolt	4
	60632-023	QUIK-ALIGN Collar Service Kit, One Wheel End , Includes Key Nos. 3-7		29		**7/8" H-Coat Flat Washer	8
	60632-018	QUIK-ALIGN Fastener Service Kit, One Wheel End , Includes Key Nos. 5-7		30		**7/8"-9 UNC H-Coat Locknut	4
2		**QUIK-ALIGN Pivot Bushing	4	31	49689-000L	Shim	As Req.
3		**Support Beam QUIK-ALIGN Concentric Collar	4	32		***Transverse Torque Rod Assembly, Includes Bushing 2	
4		**Support Beam QUIK-ALIGN Eccentric Collar	4		62250-515	Terex Advance Mixer Vehicles	
5		**1"-1.4 UNF-2A x 7½" H-Coat Hex Bolt	4		62000-620	Oshkosh Truck Vehicles	
6		**1" H-Coat Flat Washer	8		62000-630	Oshkosh Truck Vehicles	
7		**1"-1.4 UNF-2B H-Coat Locknut	4	33a	47691-000L	Straddle Torque Rod Bushing	
8		Top Pad, <i>see Illustration on Page 266</i>	4	b	64809-000L	Taper Pin Bushing, Includes Fasteners	
	48718-120	U-bolt Service Kit, One Wheel End , 14¾"-15½" Ride Height, Includes Key Nos. 9a,b, 10-11		34	22186-000	Transverse Torque Rod Frame Bracket	2
	48718-121	12½" Ride Height, Includes Key Nos. 9c,d, 10-11		35		Axle Stop, Frame Mounted	4
9		**¾" Square U-bolt	8	a	64696-002	RH Rear - Oshkosh	
a		10", Outboard 14¾"-15½" Ride Height		a	64696-003	LH Front - Oshkosh	
b		10½", Inboard 14¾"-15½" Ride Height		b	64692-001	LH Rear - Indiana Phoenix, Oshkosh	
c		11½", Outboard 12½" Ride Height		b	64692-004	RH Front- Oshkosh	
d		12", Inboard 12½" Ride Height		b	64692-006	RH Front- Indiana Phoenix	
10		**¾" Flat Washer	16	c	77773-001	RH Rear - Oshkosh, <i>not interchangeable w/35a,b</i>	
11		**¾"-1.6 UNF U-bolt Locknut	16	c	77773-002	LH Front - Oshkosh, <i>not interchangeable w/35a,b</i>	
12		Bottom Cap - Front and Rear <i>See Selection Guide on Page 266</i>	4	36		Shock Absorber	4
13		Axle Spacer - Front and Rear <i>See Selection Guide on Page 266</i>	4	a	60665-013L	For vehicles with Drum Brakes Only	
14		U-beam Assembly, Includes Key Nos. 2, 15	2	b	60665-015	For vehicles with Air Disc Brakes Only	
	67249-006	• Front 34.0" Frame Width		c	68069-002	FIREMAAX EX 31K•62K - Old Setup	
	67249-014	34.3" Frame Width		d	70807-002	FIREMAAX EX, (Not Shown) <i>New and retrofitted models, not interchangeable with 36a,b,c</i>	
	67249-016	34.5" Frame Width		37		Upper Shock Frame Bracket	4
	67249-026	34.8" Frame Width		a	67463-002	Standard Cast	
	67249-005	• Rear 34.0" Frame Width		b	59423-001	Standard Fabricated Clevis	
	67249-013	34.3" Frame Width		c	59423-002	FIREMAAX EX 31K•62K, <i>use with 36c</i>	
	67249-015	34.5" Frame Width		d	78250-002	High Strength Cast, <i>use with 36d</i>	
	67249-025	34.8" Frame Width		e	78896-001	High Strength Clevis, High Mount, <i>use with 36d</i>	
	34013-114	Single D-pin Bushing Service Kit , Includes Key Nos. 15-18		f	78896-002	High Strength Clevis, Low Mount, <i>use with 36d</i>	
15		**D-pin Bushing	4		50754-036	Shock Absorber Fastener Service Kits	
	56659-010	D-pin Fastener Service Kit, Axle Set , Includes Key Nos. 16-18			50754-056	Axle Set , Includes Key Nos. 38a, 39-43	
16		**7/8"-1.4 UNF x 5" Bolt	8		50754-050	Axle Set , Includes Key Nos. 38c, 39-43	
17		**7/8" Flat Washer	16	38		**¾"-10 UNC Upper Shock Bolt	4
18		**7/8"-1.4 UNF Locknut	8	a		4¼", For use with 37a,b,c	
19		Air Spring Assembly, <i>Configuration may vary per suspension capacity, see Selection Guide on Page 268</i>	4	b		5", For use with 37d	
20		Longitudinal Torque Rod Assembly	4	c		6½", For use with 37e,f	
a	65285-620	Rear Tandem Axle		39		**¾" Flat Washer	As Req.
b	65285-685	Front Tandem and Single Axle		40		**¾"-10 UNC Locknut	4
21	69210-000L	Torque Rod Bushing - Straddle	4	41		**5/8"-11 UNC x 7" Lower Shock Bolt	4
22	47692-000L	Torque Rod Bushing - Thru Hole	4	42		**5/8" Flat Washer	8
	49176-024	Longitudinal Torque Rod Fastener Kit, Axle Set , Includes Key No. 23-25		43		**5/8"-11 UNC-2B Locknut	4
23		**¾"-1.6 UNF x 6" Hex Bolt	8		58525-019	Single Height Control Valve Assembly Service Kit , Includes Key Nos. 44, 45a, 46	
				44	57977-000	Height Control Valve Assembly	As Req.
				45		HCV Linkage Assembly	As Req.
				a	58994-005L	14.84" Length	
				b	58994-029	20.24" Length	
				46		**Height Control Valve Linkage Bracket	As Req.
				47	69565-001	U-beam Assembly Enhancement Aftermarket Service Kit, Axle Set , <i>see Page 269 for contents</i>	
				48	70867-001	P-80 Lubricant - 10 ml (Not Shown) per Bushing	1
				Not Shown	30272-000	Pressure Protection Valve, E-One Fire/Rescue Vehicles Only	1



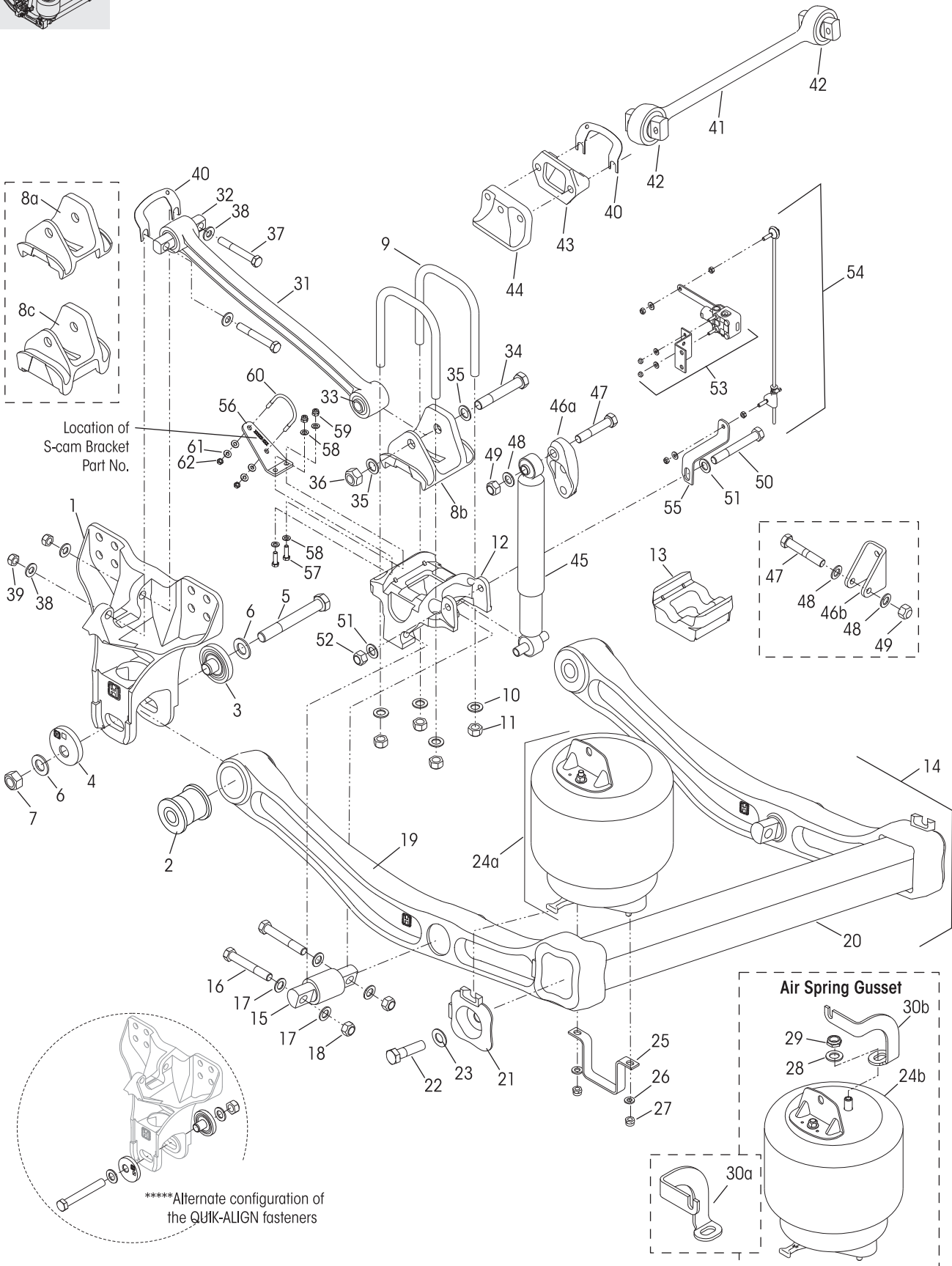
PRIMAAX 230 • 460 • 690

8 1/2" – 10" Ride Height

FIREMAAX 240 • 480



PARTS LISTS



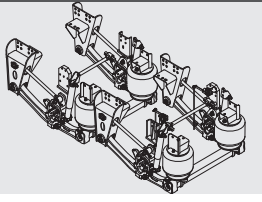


VEHICLE				VEHICLE			
KEY NO.	PART NO.	DESCRIPTION	*QTY.	KEY NO.	PART NO.	DESCRIPTION	*QTY.
1	60821-001	Frame Hanger	4	24		Air Spring Assembly with Upper Frame Bracket	4
		QUIK-ALIGN Pivot Bushing Service Kit, Includes Key Nos. 2-7, 63		a	60271-002L	PRIMAAX	
	60961-720	One Wheel End		b	65183-002L	FIREMAAX	
	60632-020	Axle Set		25	60911-000	Lower Air Spring Mounting Bracket	4
		QUIK-ALIGN Collar Service Kit, Includes Key Nos. 3-7			49177-006	Single Air Spring Fastener Service Kit, Lower, Includes Key Nos. 26-27	
	60632-019	One Wheel End, Replaces 60632-006			49177-024	Upper/Lower, Includes Key Nos. 26-29	
	60632-021	Axle Set		26		**1/2" Flat Washer	8
	60632-018	QUIK-ALIGN Fastener Service Kit, One Wheel End, Includes Key Nos. 5-7, <i>Replaces 60632-005</i>		27		**1/2"-13 UNC Locknut	8
2		**QUIK-ALIGN Pivot Bushing	4	28		**3/4" Flat Washer	4
3		**QUIK-ALIGN Concentric Collar	4	29		**3/4"-16 UNF Locknut	4
4		**QUIK-ALIGN Eccentric Collar	4	30a	59479-003	Air Spring Gusset (if equipped)	2
5		**1"-14 UNF-2A x 7 1/2" H-Coat Hex Bolt	4	b	59479-004	Air Spring Gusset (if equipped)	2
6		**1" H-Coat Flat Washer	8	31		Longitudinal Torque Rod Assembly, <i>see Selection Guide on Page 265</i> , Includes Key Nos. 32-33	4
7		**1"-14 UNF-2B H-Coat Locknut	4	32	69210-000L	Bushing - Straddle Bar Pin - 3/4" Holes	4
8 a	60877-001	Top Pad - Meritor Axle, <i>Replaces 60877-000</i>	4	33	47692-000L	Torque Rod Bushing - Thru Holes	4
b	60877-001	Top Pad - Dana Axle	4		49176-008	Longitudinal Torque Rod Fastener Kit, Axle Set, Includes Key Nos. 34-39	
c	65641-000	Top Pad - Air Disc Brake Applications	4		58821-012	Single, Thru Bolt Connection, Includes Key Nos. 34-36	
		U-bolt Service Kit, One Wheel End,		34		**7/8"-14 UNF-2A x 5 1/2" Hex Bolt	4
	48718-108	Includes Key Nos. 9a-11		35		**7/8" H-Coat Flat Washer	8
	48718-125	Includes Key Nos. 9b-11		36		**7/8"-14 UNF-2B Locknut	4
	48718-126	Includes Key Nos. 9c-11		37		**3/4"-16 UNF-2A x 3 3/4" Hex Bolt	8
	48718-132	Includes Key Nos. 9d-11		38		**3/4" Flat Washer	16
9		**3/4" Square U-bolt	8	39		**3/4"-16 UNF-2B Locknut	8
a		8 7/8" Length, 10" Ride Ht, <i>use with 8a, 8b</i>		40	49689-000L	Shim	As Req.
b		10 3/8" Length, 8 1/2" Ride Ht, <i>use with 8a, 8b, 13</i>		41	72000-XXXS	***ULTRA ROD PLUS Transverse Torque Rod Assembly, Includes Bushings, Specify length in mm	2
c		9 7/8" Length, 10" Ride Ht, <i>use with 8c</i>		42	64400-002L	Bushing - Straddle Bar Pin (5/8" Holes)	4
d		11 3/8" Length, 8 1/2" Ride Ht, <i>use with 8c, 13</i>		43	22186-000	Transverse Torque Rod Frame Bracket	2
10		**3/4" Flat Washer	16	44	60593-000L	Axle Stop, Frame Mounted	4
11		**3/4"-16 UNF U-bolt Locknut	16	45		Shock Absorber	4
12	60556-XXX	Bottom Cap, <i>see Selection Guide on Page 265</i>	4		60657-003L	Standard	
13	65139-003	Axle Spacer - 8 1/2" Ride Height	4		60665-014	FIREMAAX Air Disc Brake Applications	
14	60961-XXX	U-beam Assembly, Includes Key Nos. 2, 15 <i>(Replaces previous U-beam assembly, support beam and cross tube assembly, see Replacement Guide on Page 288)</i>	2		60665-018L	FIREMAAX Drum Brake Applications	
		Single D-pin Bushing Service Kit,		46		Upper Shock Frame Bracket	4
	34013-117	Includes Key Nos. 15, 16a, 17-18		a	67463-002	Standard, <i>Replaces 65000-002</i>	
	34013-107	Includes Key Nos. 15, 16b, 17-18		b	59423-001	FIREMAAX	
	34013-201	Includes Key Nos. 15, 16c, 17-18			50754-030	Single Shock Fastener Service Kit, Includes Key Nos. 47-52	
	34013-116	Includes Key Nos. 15, 16d, 17-18		47		**3/4"-10 UNC x 4 1/4" Upper Shock Bolt	4
15		**D-pin Bushing	4	48		**3/4" Flat Washer	As Req.
		D-pin Fastener Service Kit, Axle Set,		49		**3/4"-10 UNC Locknut	4
	56659-012	Includes Key Nos. 16a, 17-18		50		**5/8"-11 UNC x 6" Lower Shock Bolt	4
	56659-009	Includes Key Nos. 16b, 17-18		51		**5/8" Flat Washer	8
	56659-014	Includes Key Nos. 16c, 17-18		52		**5/8"-11 UNC-2B Locknut	4
	56659-013	Includes Key Nos. 16d, 17-18			58525-019	Single Height Control Valve Assembly Service Kit, Includes Key Nos. 53-55	
16		**3/4"-16 UNF Bolt	8	53	57977-000	HCV Assembly	As Req.
a		4 3/4" Length		54	58994-005L	HCV Linkage Assembly 14.84" Length	As Req.
b		5" Length		55		**Height Control Valve Linkage Bracket	As Req.
c		5 1/4" Length		56	64508-XXX	S-cam Support Bracket	4
d		5 1/2" Length				<i>Locate part number on component</i>	
17		**3/4" Flat Washer	16		58821-017	S-cam Fastener Service Kit, Axle Set, Includes Key Nos. 57-62	
18		**3/4"-16 UNF Locknut	8	57		**3/8"-16 UNC x 1 1/4" Hex Bolt	8
19		*****Support Beam Assembly (66435-XXX, <i>see Replacement Guide on Page 288</i>)		58		**3/8" Hardened Washer	16
20		****Cross Tube (60912-001, <i>see Replacement Guide on Page 288</i>)		59		**3/8"-16 UNC Locknut	8
	46772-001	End Cap and Fastener Kit, Axle Set, Includes Key Nos. 21-23		60		**5/16" S-Cam U-bolt	4
21		**End Cap	4	61		**5/16" Hardened Washer	16
22		**7/8"-9 UNC x 3 1/2" Hex Bolt	4	62		**5/16"-18 UNC Locknut	8
23		**7/8" H-Coat Flat Washer	4	63	70867-001	P-80 Lubricant - 10 ml (Not Shown)	per Bushing 1
		Single Air Spring Service Kit,					
	60961-062	PRIMAAX, Includes Key Nos. 24a, 25-27					
	60961-126	FIREMAAX, Includes Key Nos. 24b, 25-29					

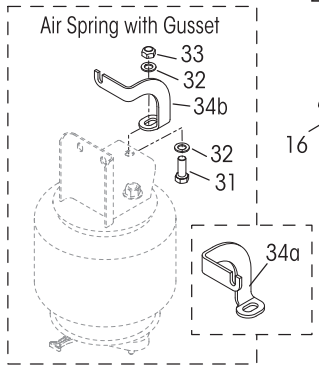
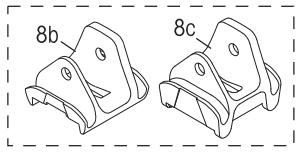
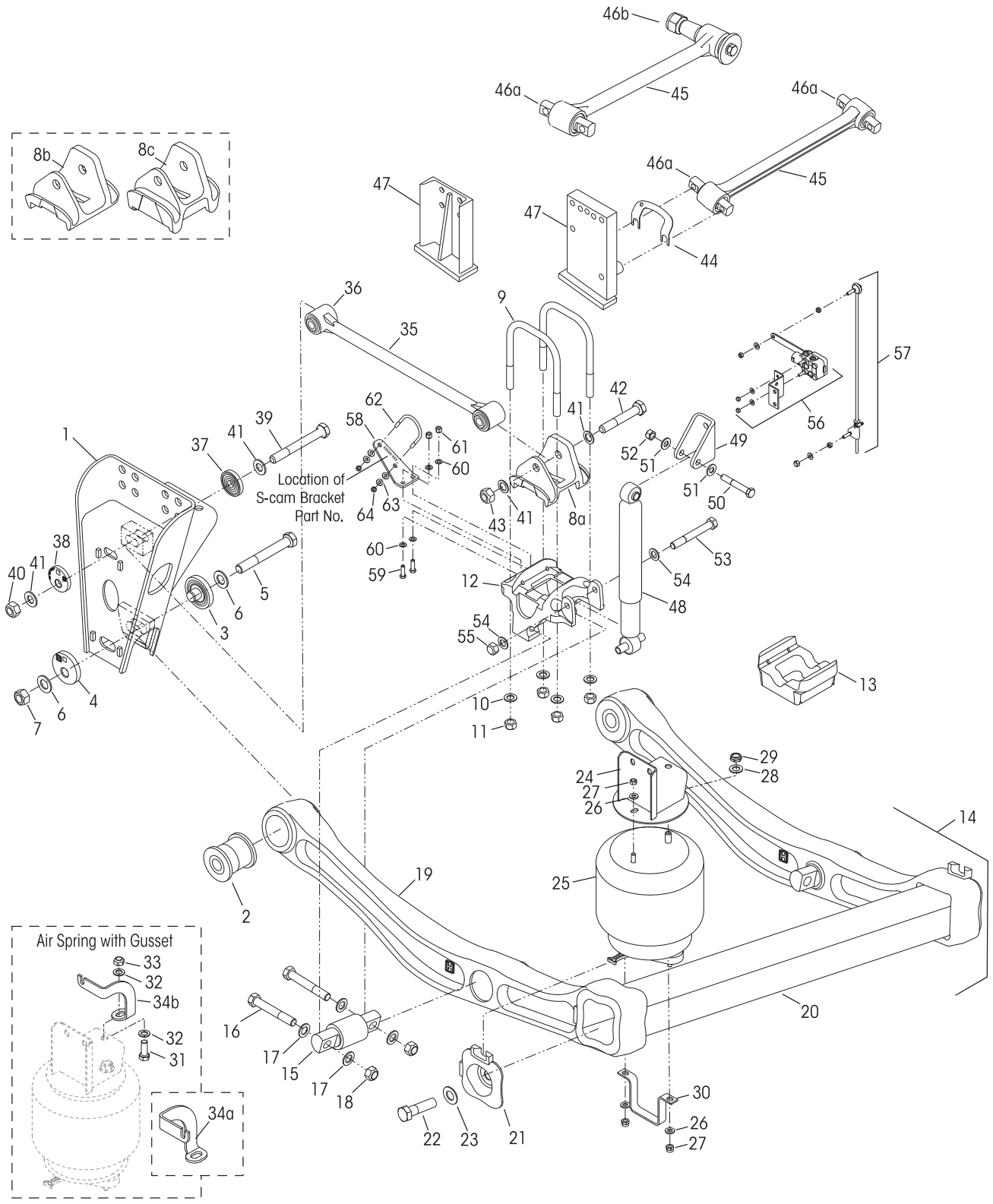


PRIMAAX 230T • 460T • 690T
 FIREMAAX 240T • 480T

12½" – 14¾" – 15½" Ride Height
 T – designates Tall Ride Heights



PARTS LISTS





KEY NO.	PART NO.	DESCRIPTION	VEHICLE *QTY.
1		Frame Hanger	4
	64451-001	Left Hand - Terex/IPI	
	64451-002	Right Hand - Terex/IPI	
	64451-003	Left Hand - Oshkosh, <i>Replaces 64451-001</i>	
	64451-004	Right Hand - Oshkosh, <i>Replaces 64451-002</i>	
	60632-022	QUIK-ALIGN Pivot Bushing & Torque Rod Service Kit, Axle Set, <i>Replaces 60632-009</i> Includes Key Nos. 2-7, 39-43, 65	
	60632-023	QUIK-ALIGN Collar Service Kit, One Wheel End, <i>Replaces 60632-007</i> , Includes Key Nos. 2-7	
	60632-018	QUIK-ALIGN Fastener Service Kit, One Wheel End, Includes Key Nos. 5-7, <i>Replaces 60632-005</i>	
2		**QUIK-ALIGN Pivot Bushing	4
3		**Support Beam QUIK-ALIGN Concentric Collar	4
4		**Support Beam QUIK-ALIGN Eccentric Collar	4
5		**1" -14 UNF-2A x 7½" H-Coat Hex Bolt	4
6		**1" H-Coat Flat Washer	8
7		**1" -14 UNF-2B H-Coat Locknut	4
8 a	60877-001	Top Pad - Meritor Axle, <i>Replaces 60877-000</i>	4
b	60877-001	Top Pad - Dana Axle	4
c	65641-000	Top Pad - Air Disc Brake Applications	4
		U-bolt Service Kit, One Wheel End,	
	48718-108	Includes Key Nos. 9a-10	
	48718-125	Includes Key Nos. 9b-10	
	48718-126	Includes Key Nos. 9c-10	
	48718-132	Includes Key Nos. 9d-10	
9		**¾" Square U-bolt	8
a		8⅞" Length, 10" Ride Ht, <i>use with 8a,8b</i>	
b		10⅜" Length, 8½" Ride Ht, <i>use with 8a,8b,13</i>	
c		9⅞" Length, 10" Ride Ht, <i>use with 8c</i>	
d		11⅜" Length, 8½" Ride Ht, <i>use with 8c,13</i>	
10		**¾" Flat Washer	16
11		**¾"-16 UNF U-bolt Locknut	16
12	60556-XXX	Bottom Cap, <i>see Page 265 for Part No. Location</i>	4
13	65139-003	Axle Spacer - 12½" Ride Height	4
14	60961-XXX	U-beam Assembly, Includes Key Nos. 2,15 <i>(Replaces the previous support beam and cross tube assembly, see Replacement Guide on Page 288)</i>	2
		Single D-pin Bushing Service Kit,	
	34013-107	Includes Key Nos. 15, 16a, 17-18	
	34013-116	Includes Key Nos. 15, 16b, 17-18	
	34013-117	Includes Key Nos. 15, 16c, 17-18	
15		**D-pin Bushing	4
		D-pin Fastener Service Kit, Axle Set,	
	56659-009	Includes Key Nos. 16a, 17-18	
	56659-013	Includes Key Nos. 16b, 17-18	
	56659-012	Includes Key Nos. 16c, 17-18	
16		**¾"-16 UNF Bolt	8
a		Length 5"	
b		Length 5½"	
c		Length 4¾"	
17		**¾" Flat Washer	16
18		**¾"-16 UNF Locknut	8
19		****Support Beam Assembly (<i>66435-XXX, see Replacement Guide on Page 288</i>)	
20		****Cross Tube (<i>60912-XXX, see Replacement Guide on Page 288</i>)	
	46772-001	End Cap and Fastener Kit, Axle Set, Includes Key Nos. 21-23	
21		**End Cap	4
22		**7/8"-9 UNC x 3½" Hex Bolt	4
23		**7/8" H-Coat Flat Washer	4
24	65031-001	Upper Air Spring Bracket Ass'y - 14⅜" Ride Height	4
	65031-002	Upper Air Spring Bracket Ass'y - 15½" Ride Height	4
		Single Air Spring Service Kit,	
	60961-124	PRIMAAX, Includes Key Nos. 25-30	
	60961-125	FIREMAAX, Includes Key Nos. 25-33	
25	65032-002	Air Spring	4

■ For all (*) see Notes on Page 267

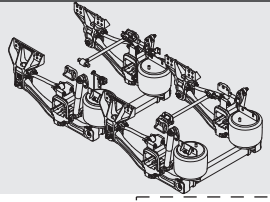
KEY NO.	PART NO.	DESCRIPTION	VEHICLE *QTY.
		Single Air Spring Fastener Service Kit,	
	49177-006	Lower, Includes Key Nos. 26-27	
	49177-023	Upper/Lower, Includes Key Nos. 26-29	
	49177-025	FIREMAAX, Includes Key Nos. 26-29, 31-33	
26		**½" Flat Washer	12
27		**½"-13 UNC Locknut	12
28		**¾" Flat Washer	4
29		**¾"-16 UNF Locknut	4
30	60911-000	Lower Air Spring Mounting Bracket	4
31		**¾"-10 UNC x 2" Bolt	4
32		**¾" Flat Washer	8
33		**¾"-10 UNC Locknut	4
34 a	59479-003	Air Spring Gusset (if equipped)	2
b	59479-004	Air Spring Gusset (if equipped)	2
35		Longitudinal Torque Rod Assembly	4
	60641-640	Front, Includes Bushings	
	60641-660	Rear, Includes Bushings	
36	47692-000L	Torque Rod Bushing - Thru Holes	8
	58821-011	Torque Rod QUIK-ALIGN Collar Bolt Service Kit, Per Wheel End, Includes Key Nos. 37-41	
	58821-012	Single Longitudinal Torque Rod Fastener Kit, Thru Bolt Connection, Includes Key Nos. 41-43	
37		**Torque Rod QUIK-ALIGN Concentric Collar	4
38		**Torque Rod QUIK-ALIGN Eccentric Collar	4
39		**7/8"-9 UNC x 7½" Hex Bolt	4
40		**7/8"-9 UNC H-Coat Locknut	4
41		**7/8" H-Coat Flat Washer	16
42		**7/8"-14 UNF x 5½" Hex Bolt	4
43		**7/8"-14 UNF Locknut	4
44	49689-000L	Shim	As Req.
45		***Transverse Torque Rod Assembly, Includes Bushing	2
	62250-515	Terex Advance Mixer Vehicles	
	62000-620	Oshkosh Truck Vehicles	
46 a	47691-000L	Straddle Torque Rod Bushing	
b	64809-000L	Taper Pin Bushing with Fasteners	
47		Axle Stop, Frame Mounted	1
	64692-001	LH Rear - Indiana Phoenix	
	64696-002	RH Rear - Oshkosh	
	64696-003	LH Front - Oshkosh	
	64692-004	RH Front - Oshkosh	
	64692-006	RH Front - Indiana Phoenix	
48	60665-011	Shock Absorber	4
49	59423-001	Upper Shock Frame Bracket	4
	50754-030	Single Shock Fastener Service Kit, Includes Key Nos. 50-55	
50		**¾"-10 UNC x 4¼" Upper Shock Bolt	4
51		**¾" Flat Washer	8
52		**¾"-10 UNC Locknut	4
53		**5/8"-11 UNC x 6" Lower Shock Bolt	4
54		**5/8" Flat Washer	8
55		**5/8"-11 UNC Locknut	4
	58525-020	Single Height Control Valve Assembly Service Kit, Includes Key Nos. 56-57a	
56	57977-000	Height Control Valve Assembly	As Req.
57		HCV Linkage Assembly	As Req.
a	58994-015	8.27" Length	
b	58994-005L	14.84" Length	
c	58994-029	20.24" Length	
58	64508-XXX	S-cam Support Bracket, <i>Locate part number on component</i>	4
	58821-017	S-cam Fastener Service Kit, Axle Set, Includes Key Nos. 59-64	
59		**3/8"-16 UNC x 1¼" Hex Bolt	8
60		**3/8" Hardened Washer	16
61		**3/8"-16 UNC Locknut	8
62		**3/16" S-Cam U-bolt	4
63		**5/16" Hardened Washer	16
64		**5/16"-18 UNC Locknut	8
65	70867-001	P-80 Lubricant - 10 ml (Not Shown)	per Bushing 1



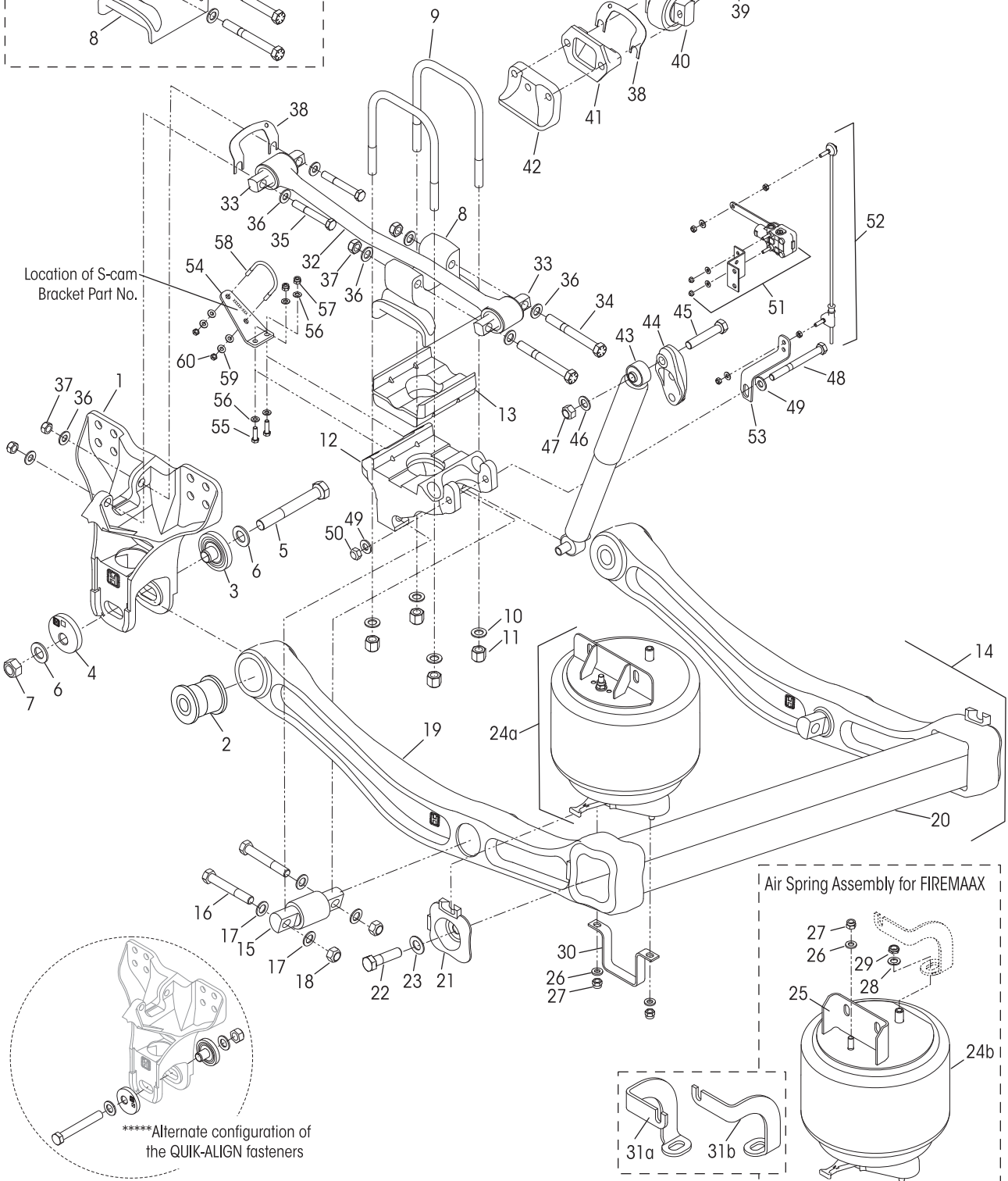
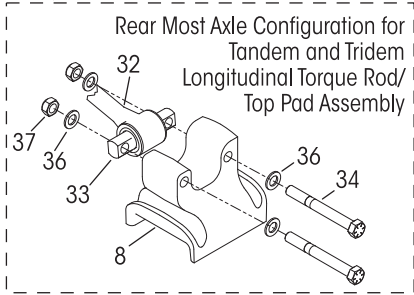
PRIMAAX 260 • 520 • 780

8½" – 10" Ride Height

FIREMAAX 270 • 540

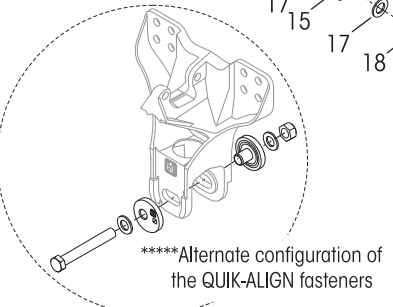


PARTS LISTS



Location of S-cam Bracket Part No.

Air Spring Assembly for FIREMAAX





KEY NO.	PART NO.	DESCRIPTION	VEHICLE *QTY.
1	60821-001	Frame Hanger	4
		QUIK-ALIGN Pivot Bushing Service Kit, Includes Key Nos. 2-7, 61	
	60961-720	One Wheel End	
	60632-020	Axle Set	
		QUIK-ALIGN Collar Service Kit, Includes Key Nos. 3-7	
	60632-019	One Wheel End, Replaces 60632-006	
	60632-021	Axle Set	
	60632-018	QUIK-ALIGN Fastener Service Kit, One Wheel End, Includes Key Nos. 5-7, Replaces 60632-005	
2		**QUIK-ALIGN Pivot Bushing	4
3		**QUIK-ALIGN Concentric Collar	4
4		**QUIK-ALIGN Eccentric Collar	4
5		**1"-1.4 UNF-2A x 7/2" H-Coat Hex Bolt	4
6		**1" H-Coat Flat Washer	8
7		**1"-1.4 UNF-2B H-Coat Locknut	4
8		Top Pad, <i>see Illustration on Page 266</i>	4
	65210-001	Meritor Straight Side	
	65210-002	Dana Straight Side	
	65210-003	Meritor Transition Side	
	65210-004	Dana Transition Side	
		U-bolt Service Kit, One Wheel End,	
	48718-120	Includes Key Nos. 9a, 9b, 10-11	
	48718-118	Includes Key Nos. 9c, 9d, 10-11	
9		**3/4" Square U-bolt	8
a		10", Outboard 10" Ride Height	
b		10 1/2", Inboard 10" Ride Height	
c		11 1/2", Outboard 8 1/2" Ride Height	
d		12", Inboard 8 1/2" Ride Height	
10		**3/4" Flat Washer	16
11		**3/4"-1.6 UNF U-bolt Locknut	16
12		Bottom Cap - Front and Rear <i>See Selection Guide on Page 266</i>	4
13		Axle Spacer, <i>see Selection Guide on Page 266</i>	4
14	60961-XXX	U-beam Assembly, Includes Key Nos. 2, 15 <i>(Replaces previous U-beam assembly, support beam and cross tube assembly, see Replacement Guide on Page 288)</i>	2
	34013-114	Single D-pin Bushing Service Kit, Includes Key Nos. 15-18	
15		**D-pin Bushing	4
	56659-010	D-pin Fastener Service Kit, Axle Set, Includes Key Nos. 16-18	
16		**7/8"-1.4 UNF x 5" Bolt	8
17		**7/8" Flat Washer	16
18		**7/8"-1.4 UNF Locknut	8
19		****Support Beam Assembly (66435-XXX, <i>see Replacement Guide on Page 288</i>)	
20		****Cross Tube (60912-XXX, <i>see Replacement Guide on Page 288</i>)	
	46772-001	End Cap and Fastener Kit, Axle Set, Includes Key Nos. 21-23	
21		**End Cap	4
22		**7/8"-9 UNC x 3 1/2" Hex Bolt	4
23		**7/8" H-Coat Flat Washer	4
		Single Air Spring Service Kit,	
	60961-118	PRIMAAX, Includes Key Nos. 24a, 26-30	
	60961-119	FIREMAAX, Includes Key Nos. 24b, 25-30	

KEY NO.	PART NO.	DESCRIPTION	VEHICLE *QTY.
24		Air Spring Assembly	4
a	66255-002	PRIMAAX with Upper Frame Bracket	
b	69153-002	FIREMAAX, Air Spring Only, Replaces 65282-002	
25	65868-000	Upper Air Spring Frame Bracket for FIREMAAX	4
		Single Air Spring Fastener Service Kit,	
	49177-006	Lower, Includes Key Nos. 26-27	
	49177-023	Upper/Lower, Includes Key Nos. 26-29	
26		**1/2" Flat Washer	12
27		**1/2"-1.3 UNC Locknut	12
28		**3/4" Flat Washer	4
29		**3/4"-1.6 UNF Locknut	4
30	60911-000	Lower Air Spring Mounting Bracket	4
31 a	59479-003	Air Spring Gusset (if equipped)	2
b	59479-004	Air Spring Gusset (if equipped)	2
32		Longitudinal Torque Rod Assembly <i>See Selection Guide on Page 267</i>	4
33	69210-000L	Bushing - Straddle Bar Pin (3/4" Holes)	8
	49176-017	Longitudinal Torque Rod Fastener Kit, One Wheel End, Includes Key No. 34-37	
34		**3/4"-1.6 UNF 6" Hex Bolt	8
35		**3/4"-1.6 UNF 3 3/4" Hex Bolt	8
36		**3/4" Flat Washer	32
37		**3/4"-1.6 UNF Locknut	16
38	49689-000L	Shim	As Req.
39	72000-XXXS	***ULTRA ROD PLUS Transverse Torque Rod Assembly, Includes Key No. 40, Specify length in mm	2
40	64400-002L	Bushing - Straddle Bar Pin - 5/8" Holes	4
41	22186-000	Transverse Torque Rod Frame Bracket	2
42	60593-000L	Axle Stop, Frame Mounted	4
43		Shock Absorber	4
	60665-013L	For vehicles with Drum Brakes only	
	60665-015	For vehicles with Air Disc Brakes only	
44	67463-002	Upper Shock Frame Bracket, <i>Replaces 65000-002</i>	4
	50754-029	Single Shock Fastener Service Kit, Includes Key Nos. 45-50	
45		**3/4"-10 UNC x 4 1/4" Upper Shock Bolt	4
46		**3/4" Flat Washer	4
47		**3/4"-10 UNC Locknut	4
48		**5/8"-11 UNC x 7" Lower Shock Bolt	4
49		**5/8" Flat Washer	8
50		**5/8"-11 UNC Locknut	4
	58525-019	Single Height Control Valve Assembly Service Kit, Includes Key Nos. 51-53	
51	57977-000	Height Control Valve Assembly	As Req.
52	58994-005L	HCV Linkage Assembly	As Req.
53		**Height Control Valve Linkage Bracket	As Req.
54	64508-XXX	S-cam Support Bracket <i>Locate part number on component</i>	4
	58821-017	S-cam Fastener Service Kit, Axle Set, Includes Key Nos. 55-60	
55		**5/8"-1.6 UNC x 1 1/4" Hex Bolt	8
56		**3/8" Hardened Washer	16
57		**3/8"-1.6 UNC Locknut	8
58		**5/16" S-Cam U-bolt	4
59		**5/16" Hardened Washer	16
60		**5/16"-1.8 UNC Locknut	8
61	70867-001	P-80 Lubricant - 10 ml (Not Shown)	per Bushing 1



■ Support Beam • Cross Tube Replacement Guide – Built prior to May 2010

Key Nos. 14, 19, 20
Pages 282, 284, 286

PARTS LISTS

Vehicle Manufacturer	Ride Height	Drive Axle	Frame Width+	May 2010		New	
				Support Beam Assembly Part Number		Cross Tube Part Number	U-beam Assembly Service Kit Number
				60831-00X • 66435-00X			
				Left Hand	Right Hand	60912-XXX	60961-XXX
PRIMAAX 230 • 460 • 690 230T • 460T • 690T FIREMAAX 240 • 480 240T • 480T							
Volvo • Mack	8.5"-10.0"	Forward	33.5"	-003	-004	-005	-237
		Rear		-001	-002		-238
Kenworth • Western Star	8.5"-10.0"	Forward	34.0"	-003	-004	-001	-235
		Rear		-001	-002		-236
Freightliner • Sterling • Autocar	8.5"-10.0"	Forward	34.3"	-003	-004	-003	-241
		Rear		-001	-002		-242
Freightliner • Sterling	8.5"-10.0"	Forward	34.5"	-003	-004	-002	-239
		Rear		-001	-002		-240
International	8.5"-10.0"	Forward	34.3"	-003	-004	-003	-261
		Rear		-001	-002		-262
		Forward	34.5"	-003	-004	-002	-263
		Rear		-001	-002		-264
		Forward	34.8"	-003	-004	-009	-243
		Rear		-001	-002		-244
Fire/Rescue (Except Spartan)	8.5"-10.5"	Forward	34.0"	-003	-004	-001	-267
		Rear		-001	-002		-268
IPI • Advance • Oshkosh Fire/Rescue	12.5"-15.5"	Forward	34.0"	-003	-004	-001	-247++
		Rear	<i>Fab Hanger</i>	-001	-002		-248++
PRIMAAX 260 • 520 • 780 FIREMAAX 270 • 540							
Kenworth • Western Star • Fire/Rescue (Except Spartan)	8.5"-10.0"	Forward	34.0"	-007	-008	-001	-253
		Rear		-005	-006		-254
		+++		-001	-002		-718++
Freightliner	8.5"-10.0"	Forward	34.3"	-007	-008	-003	-257
		Rear		-005	-006		-258
		Forward	34.5"	-007	-008	-002	-255
		Rear		-005	-006		-256
All 12.5"-15.5" suspensions, including Fire/Rescue	12.5"-15.5"	Forward	34.0"	-003	-004	-001	-269++
		Rear		-001	-002		-270++

NOTES: + Contact vehicle manufacturer to verify frame width.

++ Upper air spring bracket not included. The original bracket equipped on this vehicle can be used with the new air spring assembly included in the U-beam assembly service kit.

+++ PRIMAAX 260 single axle only, use with Dana S26-190 axle.



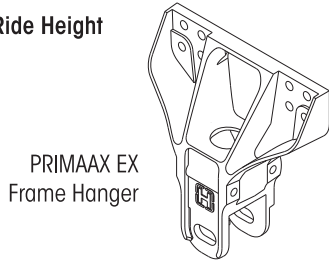
■ Technical Notes

The following information is intended to assist in determining which suspension is equipped on Caterpillar vehicles. As an example, Figure 1 identifies the ride height.

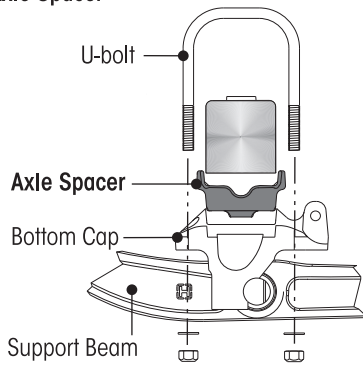
FIGURE 1

RIDE HEIGHT

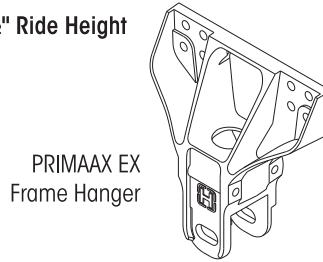
9" Ride Height



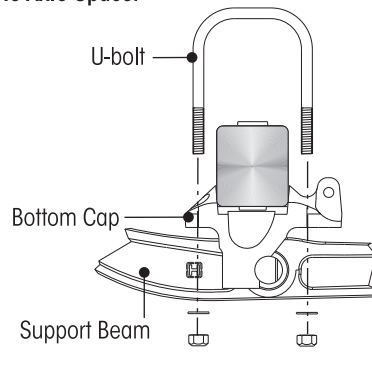
AND
Axle Spacer



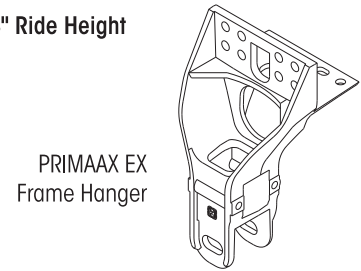
10½" Ride Height



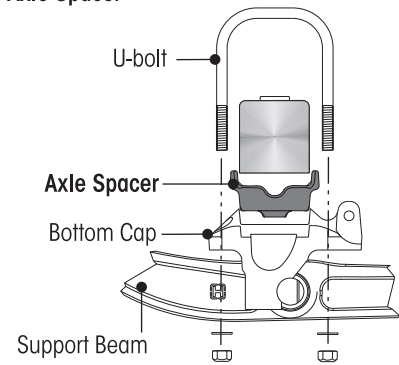
AND
No Axle Spacer



13" Ride Height



AND
Axle Spacer



PARTS LISTS

■ Bottom Cap • Longitudinal Torque Rod Assembly • Torque Rod Spacer Selection Guide

Page 290
Page 292

PRIMAAX EX 23K • 46K • 69K ■ 9", 10½" Ride Heights
PRIMAAX EX 23K • 46K • 69K ■ 13" Ride Heights

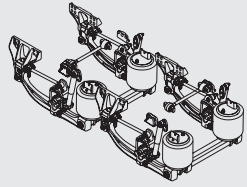
Bottom View of Bottom Cap	Bottom Cap (2 per axle)	*Longitudinal Torque Rod Assembly (2 per axle)	Torque Rod Spacer (4 per axle)		Pinion Angle	
	Part Number		Part Number	Thickness		
				mm	Inches	
<p>77131</p> <p>-XXX</p> <p>Casting No. Location</p> <p>60556- with Location of Etched Last 3 digits of Part No.</p>	60556-035	67274-510	Not Required		2.54°	
			67045-072	6.35	¼	3.61°
			67045-071	12.7	½	4.56°
			67045-070	19	¾	5.72°
			67045-069	25.4	1	6.71°
	60556-100	67274-540	Not Required		6.62°	
			67045-072	6.35	¼	7.67°
			67045-071	12.7	½	8.62°
			67045-070	19	¾	9.77°
			67045-069	25.4	1	10.75°
	60556-105	67274-540	Not Required		7.07°	
			67045-072	6.35	¼	8.12°
			67045-071	12.7	½	9.06°
			67045-070	19	¾	10.22°
			67045-069	25.4	1	11.20°

NOTE: * Non-serviceable torque rod bushings, requires replacement of complete torque rod assembly with bushings.

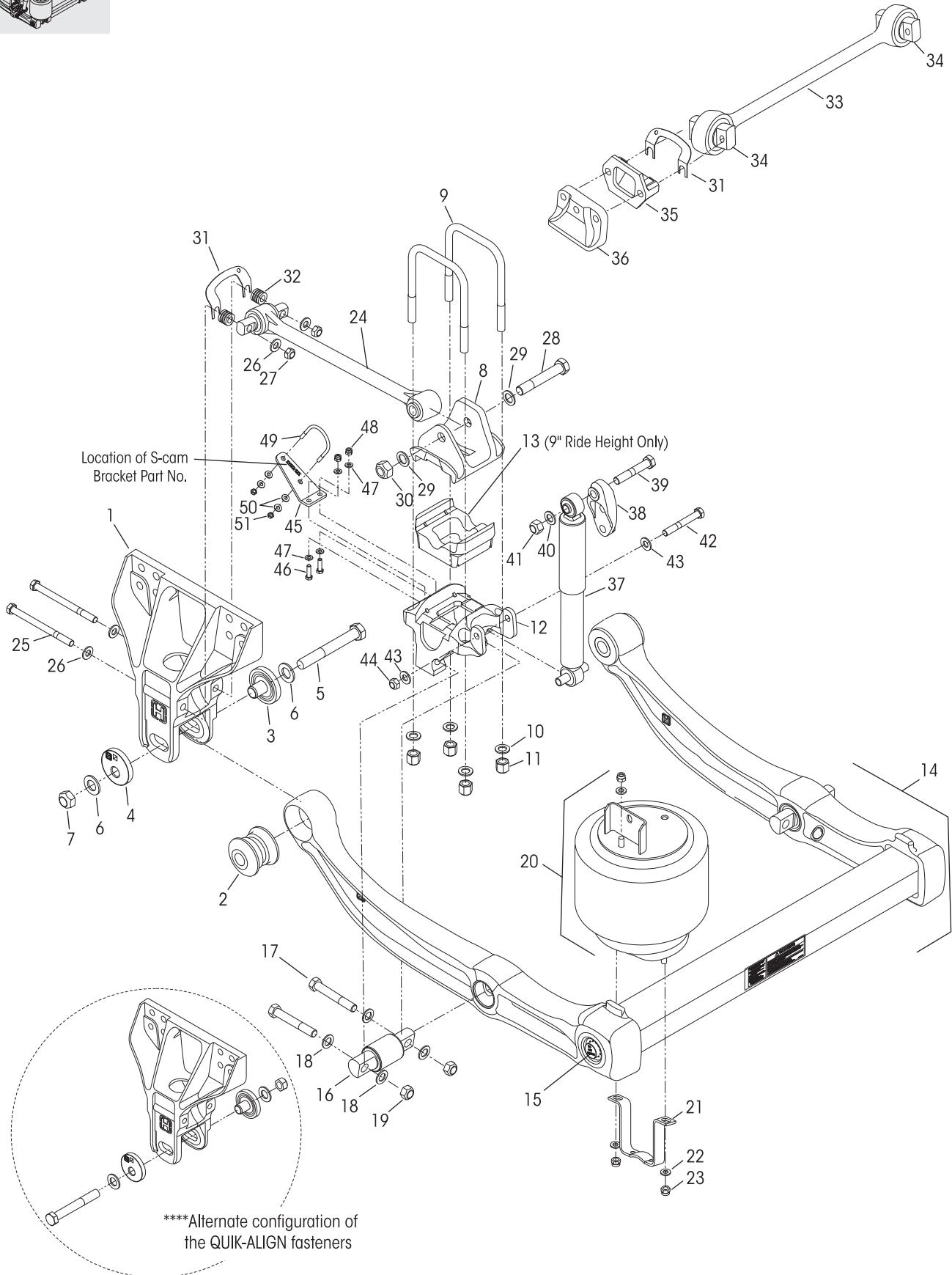


23K • 46K • 69K Capacity

9" – 10½" Ride Height



PARTS LISTS





			VEHICLE				VEHICLE
KEY NO.	PART NO.	DESCRIPTION	*QTY.	KEY NO.	PART NO.	DESCRIPTION	*QTY.
1	67706-000	Frame Hanger	4	18		**¾" Flat Washer	16
		QUIK-ALIGN® Pivot Bushing Service Kit,		19		**¾"-16 UNF Locknut	8
		Includes Key Nos. 2-7, 52			60961-664	Single Air Spring Service Kit,	
	60961-720	One Wheel End				Includes Key Nos. 20-23	
	60632-020	Axle Set		20	67234-002L	Air Spring Assembly, Includes Upper Frame Bracket and Fasteners	4
		QUIK-ALIGN Collar Service Kit, Includes Key Nos. 3-7		21	60911-002	Lower Air Spring Mounting Bracket	4
	60632-019	One Wheel End, Replaces 60632-006			49177-006	Single Lower Air Spring Fastener Service Kit,	
	60632-021	Axle Set				Includes Key Nos. 22-23	
	60632-018	QUIK-ALIGN Fastener Service Kit, One Wheel End,		22		**½" Flat Washer	8
		Includes Key Nos. 5-7, Replaces 60632-005		23		**½"-13 UNC Locknut	8
2		**QUIK-ALIGN Pivot Bushing	4	24		Longitudinal Torque Rod Assembly	4
3		**QUIK-ALIGN Concentric Collar	4			<i>See Selection Guide on Page 289</i>	
4		**QUIK-ALIGN Eccentric Collar	4			Single Longitudinal Torque Rod Fastener Kit,	
5		**1"-14 UNF-2A x 7½" H-Coat Hex Bolt	4		49176-026	Thru Bolt and Bar Pin Connection,	
6		**1" H-Coat Flat Washer	8			Includes Key Nos. 25-30	
7		**1"-14 UNF-2B H-Coat Locknut	4		58821-012	Rear Thru Bolt Connection Only, Includes	
8	65290-001	Top Pad	4			Key Nos. 28-30	
		U-bolt Service Kit, One Wheel End,		25		**⅝"-11 UNC-2B x 8" Bolt	8
	48718-108	10½" Ride Height, Includes Key Nos. 9a, 10-11		26		**⅝" Flat Washer	16
	48718-125	9" Ride Height, Includes Key Nos. 9b, 10-11		27		**⅝"-11 UNC-2A Locknut	8
9		**¾" Square U-bolt	8	28		**7⁄8"-14 UNF-2A x 5½" Hex Bolt	4
a		8⅞" Length - 10½" Ride Height		29		**7⁄8" H-Coat Flat Washer	8
b		10⅞" Length - 9" Ride Height		30		**7⁄8"-14 UNF-2B Locknut	4
10		**¾" Flat Washer	16	31	49689-000L	Shim	As Req.
11		**¾"-16 UNF U-bolt Locknut	16	32	67045-XXX	Torque Rod Spacer, <i>see Selection Guide on Page 289</i>	
12	60556-XXX	Bottom Cap - Front and Rear	4	33	72000-XXXS	***ULTRA ROD® PLUS™ Transverse Torque Rod Assembly, Includes Key No. 34, Specify length in mm	2
		<i>See Selection Guide on Page 289</i>		34	64400-002L	Bushing - Straddle Bar Pin (⅝" Holes)	4
13	65139-003	Axle Spacer, 9" Ride Height	4	35	22186-000	Transverse Torque Rod Frame Bracket	2
14		U-beam Assembly, Includes Key Nos. 2, 16	2	36	60593-000	Axle Stop, Frame Mounted	4
		• Front Frame Width		37a	60657-003L	Shock Absorber	4
	67249-004	34.0"		b	70807-001	Heavy-duty Shock Absorber, Optional	4
	67249-012	34.3"		38	67463-002	Upper Shock Frame Bracket	4
	67249-010	34.5"			50754-030	Single Shock Fastener Service Kit,	
	67249-024	34.8"				Includes Key Nos. 39-44	
	67249-018	35.0"		39		**¾"-10 UNC x 4¼" Upper Shock Bolt	4
		• Rear Frame Width		40		**¾" Flat Washer	4
	67249-003	34.0"		41		**¾"-10 UNC Locknut	4
	67249-011	34.3"		42		**⅝"-11 UNC x 6" Lower Shock Bolt	4
	67249-009	34.5"		43		**⅝" Flat Washer	8
	67249-023	34.8"		44		**⅝"-11 UNC-2B Locknut	4
	67249-017	35.0"		45	64508-XXX	S-cam Support Bracket	4
15	69565-001	U-beam Assembly Enhancement Aftermarket Service Kit, Axle Set, <i>see Page 269 for contents</i>				<i>See Part No. on Component</i>	
		Single D-Pin Bushing Service Kit,			58821-017	S-cam Fastener Service Kit, Axle Set,	
	34013-107	Includes Key Nos. 16, 17a, 18-19				Includes Key Nos. 46-51	
	34013-116	Includes Key Nos. 16, 17b, 18-19		46		**⅝"-16 UNC x 1¼" Hex Bolt	8
	34013-117	Includes Key Nos. 16, 17c, 18-19		47		**⅝" Hardened Washer	16
16		**D-Pin Bushing	4	48		**⅝"-16 UNC Locknut	8
		D-Pin Fastener Service Kit, Axle Set,		49		**⅝" S-cam U-bolt	4
	56659-009	Includes Key Nos. 17a, 18-19		50		**⅝"-16 Hardened Washer	16
	56659-013	Includes Key Nos. 17b, 18-19		51		**⅝"-18 UNC Locknut	8
	56659-012	Includes Key Nos. 17c, 18-19		52	70867-001	P-80 Lubricant - 10 ml (Not Shown) per Bushing	1
17		**¾"-16 UNF Bolt	8				
a		5" Length					
b		5½" Length					
c		4¾" Length					

NOTES: * Quantities specified are shown for tandem suspension. Adjust quantities for single or tridem suspensions. Quantities of service kit components may vary from amount shown in lists. For Severe Service kits, see Page 269.

** Item included in kit/assembly only, part not sold separately.

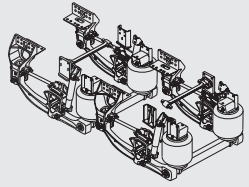
*** Transverse Rods are mandatory for the PRIMAAX EX suspensions regardless of axle spacing, see Literature No. 59310-004 and 59310-058 for more information.

**** Alternate configuration of the QUIK-ALIGN fasteners. The locknuts located inboard will allow additional clearance for wider tires or tires with chains. Tightening is still required ONLY on the locknut.

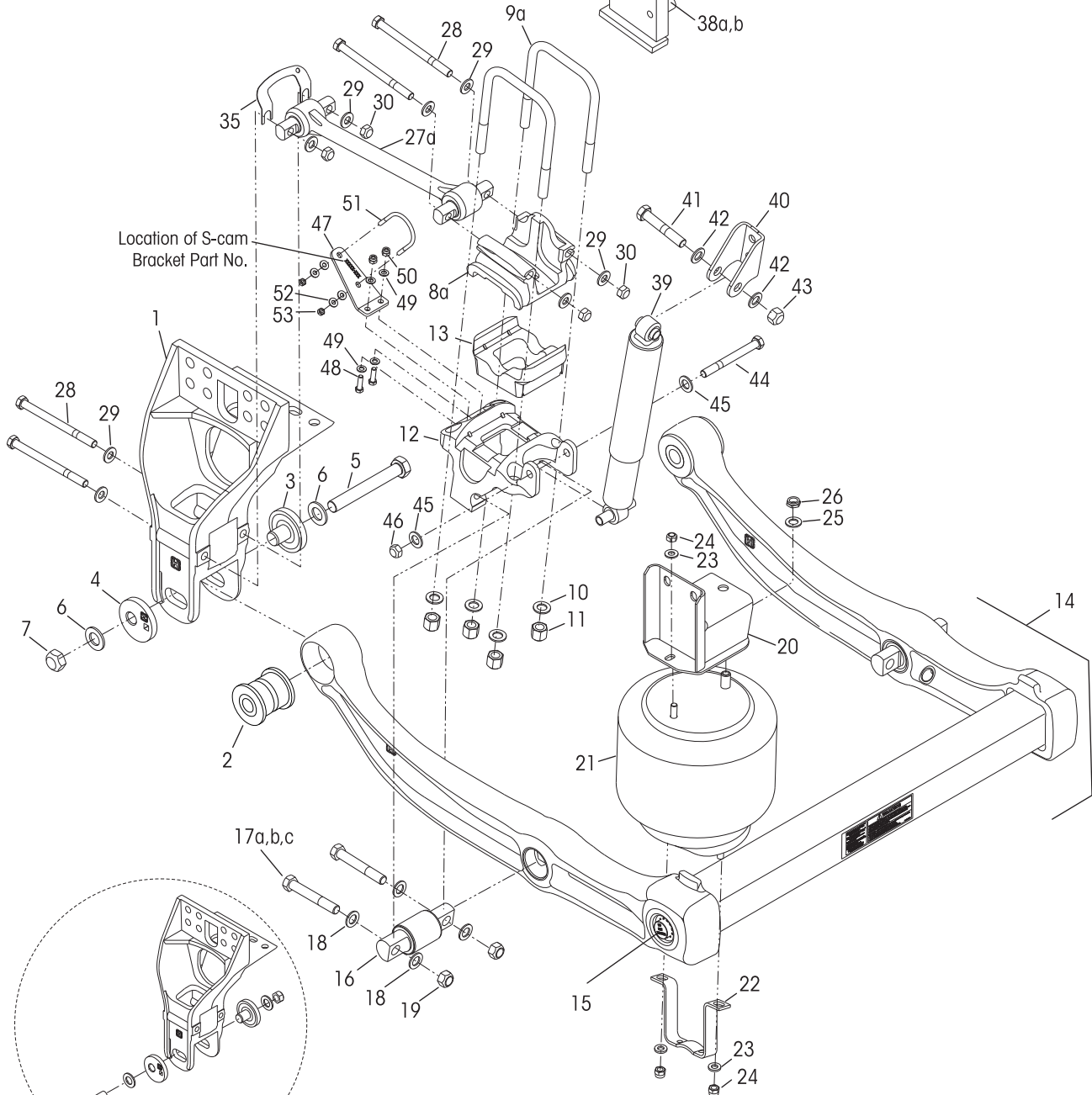
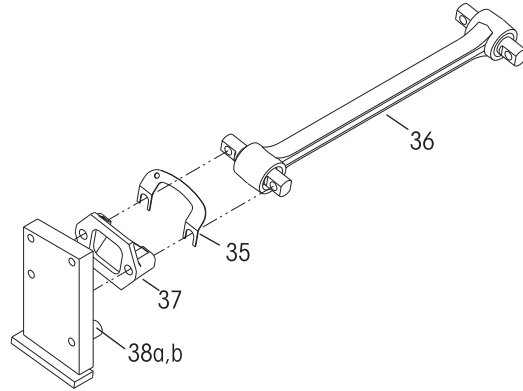
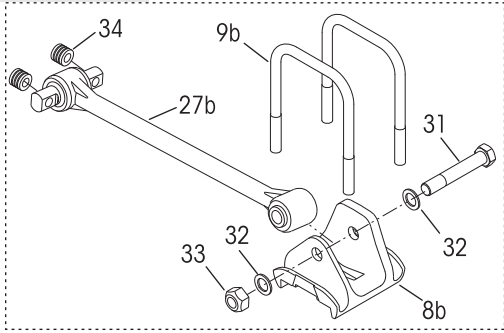


23K • 46K • 69K Capacity

13" Ride Height



PARTS LISTS



Location of S-cam Bracket Part No.

****Alternate configuration of the QUIK-ALIGN fasteners



VEHICLE				VEHICLE			
KEY NO.	PART NO.	DESCRIPTION	*QTY.	KEY NO.	PART NO.	DESCRIPTION	*QTY.
1	67299-001	Left Hand Frame Hanger	2	20	65031-001	Upper Air Spring Bracket Assembly	4
	67299-002	Right Hand Frame Hanger	2		60961-724	Single Air Spring Service Kit, Includes Key Nos. 21-26	
		QUIK-ALIGN® Pivot Bushing Service Kit, Includes Key Nos. 2-7, 54		21	68070-002L	Air Spring Assembly	4
	60961-720	One Wheel End		22	60911-002	Lower Air Spring Mounting Bracket	4
	60632-020	Axle Set				Single Air Spring Fastener Service Kit, Lower, Includes Key Nos. 23-24 Upper/Lower, Includes Key Nos. 23-26	
	60632-019	QUIK-ALIGN Collar Service Kit, Includes Key Nos. 3-7		23		**½" Flat Washer	12
	60632-021	One Wheel End, Replaces 60632-006		24		**½"-13 UNC Locknut	12
	60632-018	Axle Set		25		**¾" Flat Washer	4
		QUIK-ALIGN Fastener Service Kit, One Wheel End, Includes Key Nos. 5-7, Replaces 60632-005		26		**¾"-16 UNF Locknut	4
2		**QUIK-ALIGN Pivot Bushing	4	27		Longitudinal Torque Rod Assembly, Includes Bushings. Specify length in mm	4
3		**QUIK-ALIGN Concentric Collar	4	a	62043-430N	430 mm	
4		**QUIK-ALIGN Eccentric Collar	4	a	62039-440N	440 mm	
5		**1"-14 UNF-2A x 7½" H-Coat Hex Bolt	4	a	62040-475N	475 mm	
6		**1" H-Coat Flat Washer	8	b	67274-510	510 mm	
7		**1"-14 UNF-2B H-Coat Locknut	4	b	67274-540	540 mm	
8		Top Pad	4			Single Longitudinal Torque Rod Fastener Kit, Thru Bolt and Bar Pin Connection, Includes Key Nos. 28-33	
a	65289-000	Bar Pin Style			49176-026	2-Bar Pin Connections, Includes Key Nos. 28-30	
b	65290-001	Thru Bolt Style			58821-012	Rear Thru Bolt Connection Only, Includes Key Nos. 31-33	
		U-bolt Service Kit, One Wheel End, Includes Key Nos. 9a, 10-11 (Bar Pin Style) Includes Key Nos. 9b, 10-11 (Thru Bolt Style)		28		**⅝"-11 UNC x 8" Bolt	16
9		**¾" Square U-bolt	8	29		**⅝" Flat Washer	32
a		10⅜" Length, Bar Pin Style		30		**⅝"-11 UNC Locknut	16
b		10⅜" Length, Thru Bolt Style		31		**⅞"-14 UNF-2A x 5½" Hex Bolt	4
10		**¾" Flat Washer	16	32		**⅞" H-Coat Flat Washer	8
11		**¾"-16 UNF U-bolt Locknut	16	33		**⅞"-14 UNF-2B Locknut	4
12	60556-XXX	Bottom Cap, see Selection Guide on Page 289	4	34	67045-XXX	Torque Rod Spacer, see Selection Guide on Page 289	
13	65139-003	Axle Spacer (required)	4	35	49689-000L	Shim	As Req.
14		U-beam Assembly, Includes Key Nos. 2, 16	2	36	62011-XXXN	***Transverse Torque Rod Assembly, Includes Bushings, Specify length in mm	2
		• Front Frame Width		37	22186-000	Transverse Torque Rod Frame Bracket	2
	67249-004	34.0"		38		Axle Stop, Frame Mounted	4
	67249-012	34.3"		a	65510-001	0° Axle Tower	
	67249-010	34.5"		b	65510-002	20° Axle Tower	
	67249-024	34.8"		39	60665-011	Shock Absorber	4
	67249-018	35.0"		40	59423-001	Upper Shock Frame Bracket	4
		• Rear Frame Width			50754-030	Single Shock Fastener Service Kit, Includes Key Nos. 41-46	
	67249-003	34.0"		41		**¾"-10 UNC x 4¼" Upper Shock Bolt	4
	67249-011	34.3"		42		**¾" Flat Washer	8
	67249-009	34.5"		43		**¾"-10 UNC Locknut	4
	67249-023	34.8"		44		**⅝"-11 UNC x 6" Lower Shock Bolt	4
	67249-017	35.0"		45		**⅝" Flat Washer	8
15	69565-001	U-beam Assembly Enhancement Aftermarket Service Kit, Axle Set, see Page 269 for contents		46		**⅝"-11 UNC Locknut	4
		Single D-Pin Bushing Service Kit, Includes Key Nos. 16, 17a, 18-19		47	64508-XXX	S-cam Support Bracket See Part No. on Component	4
	34013-107	Includes Key Nos. 16, 17b, 18-19			58821-017	S-cam Fastener Service Kit, Axle Set, Includes Key Nos. 48-53	
	34013-116	Includes Key Nos. 16, 17c, 18-19		48		**⅝"-16 UNC x 1¼" Hex Bolt	8
16		**D-Pin Bushing	4	49		**⅝" Hardened Washer	16
		D-Pin Fastener Service Kit, Axle Set, Includes Key Nos. 17a, 18-19		50		**⅝"-16 UNC Locknut	8
	56659-009	Includes Key Nos. 17b, 18-19		51		**⅝"-16 S-cam U-bolt	4
	56659-013	Includes Key Nos. 17c, 18-19		52		**⅝"-16 Hardened Washer	16
17		**¾"-16 UNF Bolt	8	53		**⅝"-18 UNC Locknut	8
a		5" Length		54	70867-001	P-80 Lubricant - 10 ml (Not Shown)	per Bushing 1
b		5½" Length					
c		4¾" Length					
18		**¾" Flat Washer	16				
19		**¾"-16 UNF Locknut	8				

NOTES: * Quantities specified are shown for tandem suspension. Adjust quantities for single or tridem suspensions. Quantities of service kit components may vary from amount shown in lists. For Severe Service kits, see Page 269.

** Item included in kit/assembly only, part not sold separately.

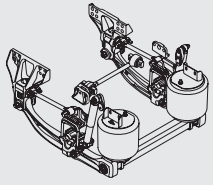
*** Transverse Rods are mandatory for the PRIMAAX EX suspensions regardless of axle spacing, see Literature No. 59310-004 and 59310-058 for more information.

**** Alternate configuration of the QUIK-ALIGN fasteners. The locknuts located inboard will allow additional clearance for wider tires or tires with chains. Tightening is still required ONLY on the locknut.

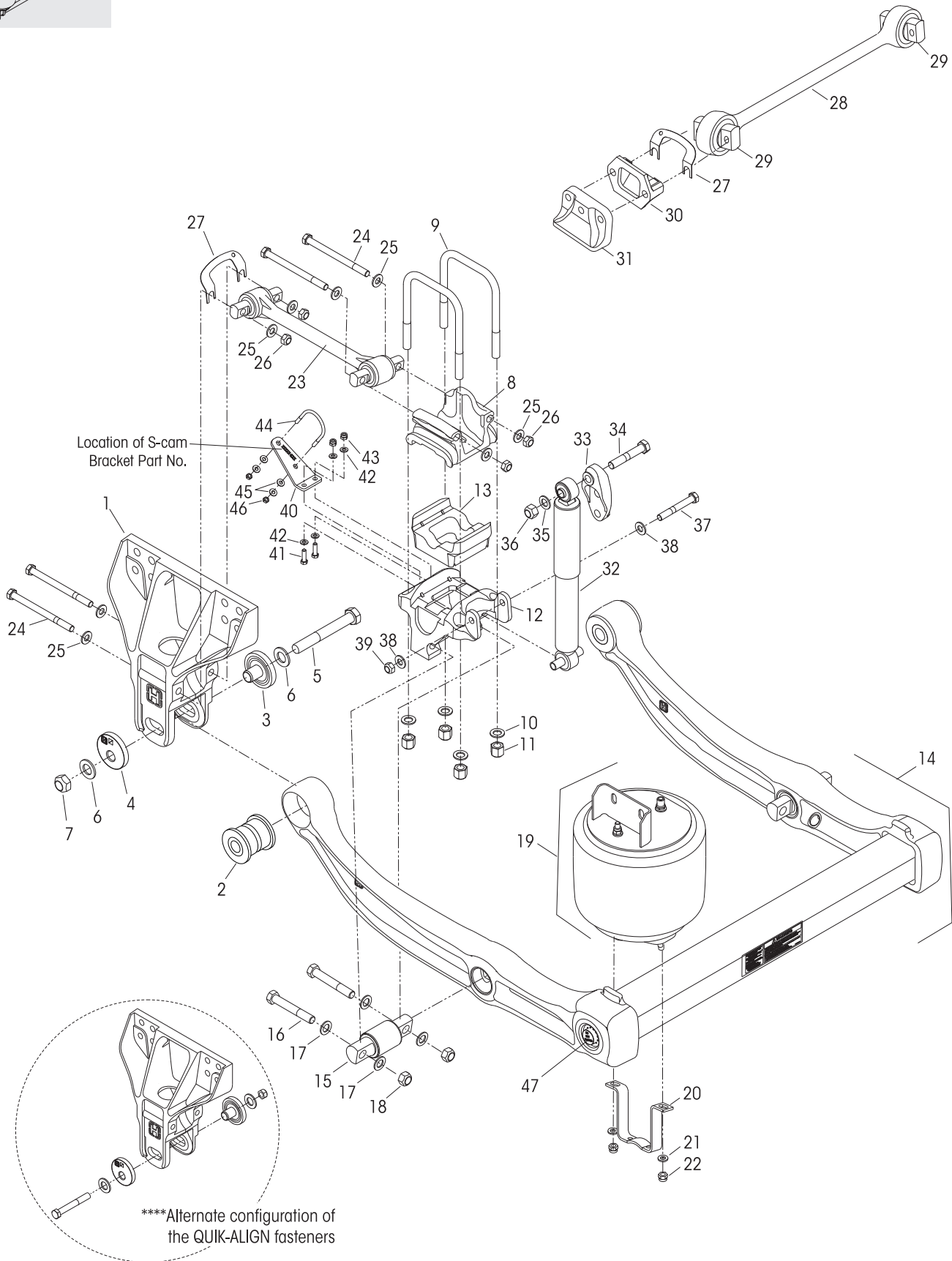


26K Capacity

9" Ride Height



PARTS LISTS





KEY NO.	PART NO.	DESCRIPTION	VEHICLE *QTY.	KEY NO.	PART NO.	DESCRIPTION	VEHICLE *QTY.
1	67706-000	Frame Hanger	2		49177-006	Single Lower Air Spring Fastener Service Kit, Includes Key Nos. 21-22	
	60961-720	QUIK-ALIGN® Pivot Bushing Service Kit, Includes Key Nos. 2-7, 48		21		**½" Flat Washer	4
	60632-020	One Wheel End Axle Set		22		**½"-13 UNC Locknut	4
	60632-019	QUIK-ALIGN Collar Service Kit, Includes Key Nos. 3-7				Longitudinal Torque Rod - Top Pad Assembly, Includes Key Nos. 8, 23-26	
	60632-021	One Wheel End, Replaces 60632-006		69361-031A		Left Hand	1
	60632-018	QUIK-ALIGN Fastener Service Kit, One Wheel End, Includes Key Nos. 5-7, Replaces 60632-005		69361-032B		Right Hand	1
2		**QUIK-ALIGN Pivot Bushing	2	23	62043-430N	Longitudinal Torque Rod Assembly	2
3		**QUIK-ALIGN Concentric Collar	2			Single Longitudinal Torque Rod Fastener Kit, 2-Bar Pin Connections, Includes Key Nos. 24-26	
4		**QUIK-ALIGN Eccentric Collar	2	49176-032		**⅝"-11 UNF x 8" Hex Bolt	8
5		**1" -14 UNF-2A x 7½" H-Coat Hex Bolt	2	24		**⅝" Flat Washer	16
6		**1" H-Coat Flat Washer	4	25		**⅝"-11 UNC Locknut	8
7		**1" -14 UNF-2B H-Coat Locknut	2	26		Shim	As Req.
8	65289-000	Top Pad	2	27	49689-000L	***ULTRA ROD® PLUS™ Transverse Torque Rod Assembly, Includes Key No. 29, Specify length in mm	1
	48718-130	U-bolt Service Kit, One Wheel End, Includes Key Nos. 9-11		28	72000-XXXS	Bushing - Straddle Bar Pin (⅝" Holes)	2
9		**¾" Square U-bolt, 10⅝" Length	4	29	64400-002L	Transverse Torque Rod Frame Bracket	1
10		**¾" Flat Washer	8	30	22186-000	Axle Stop, Frame Mounted	2
11		**¾"-16 UNF U-bolt Locknut	8	31	60593-000	Shock Absorber	2
12	60556-030	Bottom Cap	2	32	60665-011	Upper Shock Frame Bracket	2
13	65139-003	Axle Spacer	2	33	67463-002	Single Shock Fastener Service Kit, Includes Key Nos. 34-39	
14		U-beam Assembly, Includes Key Nos. 2, 15 Frame Width	2	34	50754-029	**¾"-10 UNC x 4¼" Upper Shock Bolt	2
	67249-004	34.0"		35		**¾" Flat Washer	2
	67249-012	34.3"		36		**¾"-10 UNC Locknut	2
	67249-010	34.5"		37		**⅝"-11 UNC x 7" Lower Shock Bolt	2
	67249-024	34.8"		38		**⅝" Flat Washer	4
	34013-107	Single D-Pin Bushing Service Kit, Includes Key Nos. 15-18		39		**⅝"-11 UNC Locknut	2
15		**D-Pin Bushing	2	40	64508-XXX	S-cam Support Bracket <i>See Part No. on Component</i>	2
	56659-009	D-Pin Fastener Service Kit, Axle Set, Includes Key Nos. 16-18			58821-017	S-cam Fastener Service Kit, Axle Set, Includes Key Nos. 41-46	
16		**¾"-16 UNF x 5" Bolt	4	41		**⅝"-16 UNC x 1¼" Hex Bolt	4
17		**¾" Flat Washer	8	42		**⅝" Hardened Washer	8
18		**¾"-16 UNF Locknut	4	43		**⅝"-16 UNC Locknut	4
	60961-665	Single Air Spring Service Kit, Includes Key Nos. 19-22		44		**⅝"-16 S-cam U-bolt	2
19	68056-002L	Air Spring Assembly, Includes Upper Frame Bracket and Fasteners	2	45		**⅝"-16 Hardened Washer	8
20	60911-002	Lower Air Spring Mounting Bracket	2	46		**⅝"-18 UNC Locknut	4
				47	69565-001	U-beam Assembly Enhancement Aftermarket Service Kit, Axle Set, <i>see Page 269 for contents</i>	
				48	70867-001	P-80 Lubricant - 10 ml (Not Shown) per Bushing	1

NOTES: * Quantities specified are shown for tandem suspension. Adjust quantities for single or tridem suspensions. Quantities of service kit components may vary from amount shown in lists. For Severe Service kits, see Page 269.

** Item included in kit/assembly only, part not sold separately.

*** Transverse Rods are mandatory for the PRIMAAX EX suspensions regardless of axle spacing, see Literature No. 59310-004 and 59310-058 for more information.

**** Alternate configuration of the QUIK-ALIGN fasteners. The locknuts located inboard will allow additional clearance for wider tires or tires with chains. Tightening is still required ONLY on the locknut.

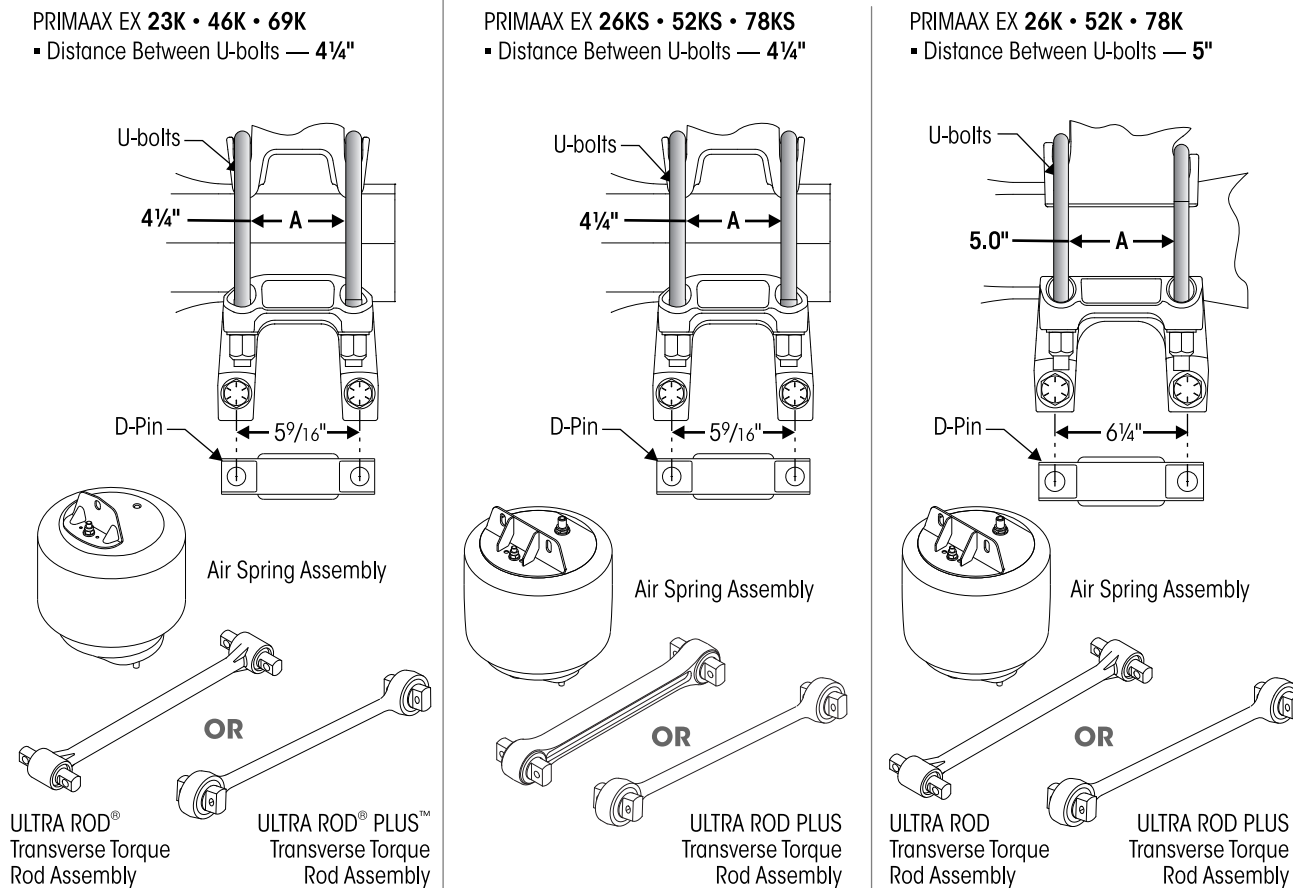


■ Technical Notes

The following information is intended to assist in determining which suspension is equipped on the vehicle. As an example, Figure 1 identifies the suspension rating and capacity. Refer to Literature No. SP-164 for FIREMAAX EX, available online at www.hendrickson-intl.com.

FIGURE 1

SUSPENSION RATING / CAPACITY



NOTES: * Quantities specified are shown for a tandem suspension. Adjust quantities for single or tridem suspensions. Quantities of service kit components may vary from amount shown in lists. For Severe Service kits, See Page 269.

** Item included in kit/assembly only, part not sold separately.

*** Transverse torque rods are mandatory for the PRIMAAX EX suspensions regardless of axle spacing, see Literature No. 59310-004 and 59310-058 for more information.

**** S-cam is not required for air disc brakes.

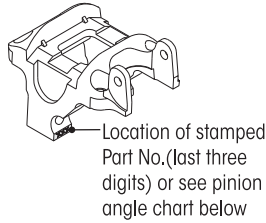
***** Alternate configuration of the QUIK-ALIGN fasteners. The locknuts located inboard will allow additional clearance for wider tires or tires with chains. Tightening is still required **ONLY** on the locknut.

***** Quantity per originally equipped by the vehicle manufacturer.

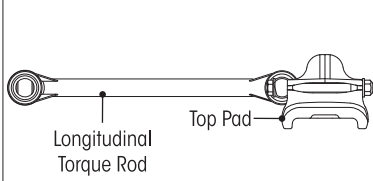


■ Bottom Cap • Longitudinal Torque Rod Assembly • Top Pad • Torque Rod Spacer Selection Guide

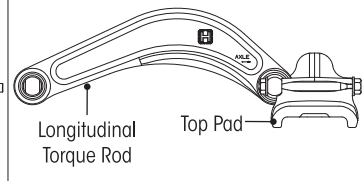
Bottom Cap



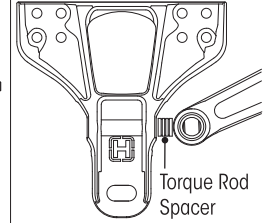
DRUM BRAKE Configuration



DISC BRAKE Configuration



Torque Rod Spacer



Page 300

PRIMAAX EX 23K • 46K • 69K • 26KS • 52KS • 78KS

Drum Brakes	Pinion Angle	D-Pin Bolt Length	Bottom Cap	*Longitudinal Torque Rod Assembly	Pinion Angle	D-Pin Bolt Length	Bottom Cap	*Longitudinal Torque Rod Assembly
	Front				Rear			
	1.5°	5"	60556-025	67428-425A (LH) 67428-425B (RH)	6.5°	5½"	60556-065	67430-435A (LH) 67430-435B (RH)
2.5°	60556-025		67428-430A (LH) 67428-430B (RH)	8.0°	4¾"	60556-100	67430-465A (LH) 67430-465B (RH)	
3.0°	60556-030		67428-435A (LH) 67428-435B (RH)	8.5°		60556-105	67430-470A (LH) 67430-470B (RH)	
3.5°	60556-035	9.5°		60556-105				
5.0°	5½"	60556-050		10.0°	5"	60556-100	67428-475A (LH) 67428-475B (RH)	
				10.5°		60556-105		
				11.0°		60556-110		
				11.5°		60556-115		
				12.0°		60556-120		

Air Disc Brakes	Pinion Angle	D-Pin Bolt Length	Bottom Cap	*Longitudinal Torque Rod Assembly	**Torque Rod Pinion Spacer	Top Pad		
	Front						Left	Right
	1.5°	5"	60556-525	68801-101		10.5 mm	65289-001	65289-002
3.0°	60556-530		16.5 mm					
3.5°	60556-535		15 mm					
5.0°	60556-550							
6.5°	5½"	60556-565						
Rear								
8.0°	4¾"	60556-600	68801-205		4.5 mm	65289-001	65289-002	
8.5°		60556-605			10.5 mm			
9.5°		60556-605						
10.0°	5"	60556-600			15 mm			
10.5°		60556-605						
11.0°		60556-610						
11.5°		60556-615						
12.0°		60556-620						

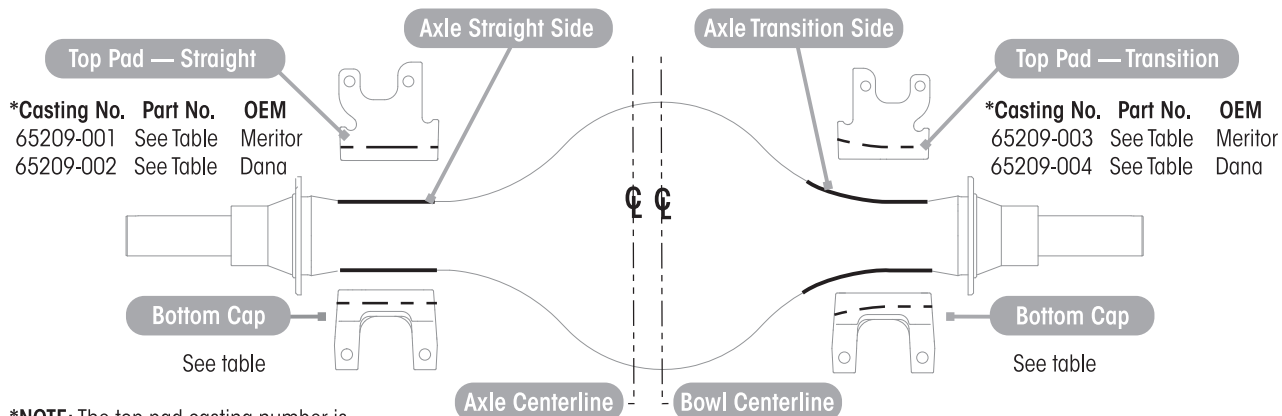
NOTES: ♦ Torque rod bushings are non-serviceable, replacement requires complete torque rod assembly with bushings.
 ♦♦ Not supplied by Hendrickson, used for reference only. Hendrickson is not responsible for components supplied by the vehicle manufacturer. For assistance with maintenance and rebuild instructions on these components see vehicle manufacturer.

PARTS LISTS



Bottom Cap • Top Pad Selection Guide

PARTS LISTS



*NOTE: The top pad casting number is located on bottom surface of the top pad.

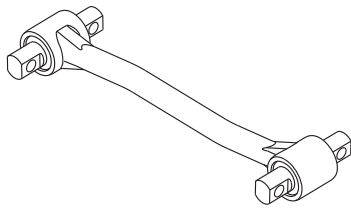
Page 302		PRIMAAX EX 26K • 52K • 78K									
Axle Manufacturer	Beam Spacing	Pinion Angle	Bottom Cap Part Number				Top Pad Part Number				
			Left Side		Right Side		Left Side		Right Side		
			Straight	Transition	Straight	Transition	Straight	Transition	Straight	Transition	
Single Axle											
Meritor	40	3.0°	65208-005	65208-001	65273-003	65210-001					
		5.0°									
	40.5	3.0°									67913-005
		5.0°									
Tandem Front • Tridem Front • Tridem Mid											
Meritor	40	1.5°	65208-001			65210-001				65210-003	
	40.3	3.5°								65208-006	65273-003
	40.5	1.5°								67913-006	
		3.5°									
Dana	40	3.5°	65208-002			65210-002				65210-004	
	40.5	2.5°								67913-008	65273-004
Tandem Rear • Tridem Rear											
Meritor	40	12.0°	65208-009	65208-003						65210-003	
	40.3	11.5°								65273-003	65210-001
	40.5	12.0°								67913-009	
Dana	40	11.5°	65208-011	65208-004						65210-002	
	40.5	10.0°	67913-011								65273-004



■ Longitudinal Torque Rod Selection Guide

Page 302

PRIMAAX EX 26K • 52K • 78K			Part Number		
Axle Manufacturer	Beam Spacing	Pinion Angle	Longitudinal Torque Rod		Torque Rod Fastener Kit
			Left Side	Right Side	
Single Axle					
Meritor	40	3.0°	65302-470A	65302-470B	49176-032
		5.0°	65302-475A	65302-475B	
	40.5	3.0°	65302-470A	65302-470B	
		5.0°	65302-475A	65302-475B	
Tandem Front • Tridem Front • Tridem Mid					
Meritor	40	1.5°	65302-460A	65302-460B	49176-032
	40.3	3.5°	65302-470A	65302-470B	49176-028
	40.5	1.5°	65302-460A	65302-460B	49176-032
		3.5°	65302-470A	65302-470B	49176-028
Dana	40	3.5°	65302-470A	65302-470B	49176-028
	40.5	2.5°			
Tandem Rear • Tridem Rear					
Meritor	40	12.0°	65302-525A	65302-525B	49176-032
	40.3	11.5°	65302-520A	65302-520B	49176-028
	40.5	12.0°	65302-525A	65302-525B	49176-032
Dana	40	11.5°	65302-520A	65302-520B	49176-028
	40.5	10.0°			



PARTS LISTS

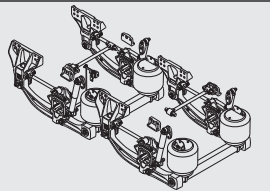


23K • 46K • 69K Capacity

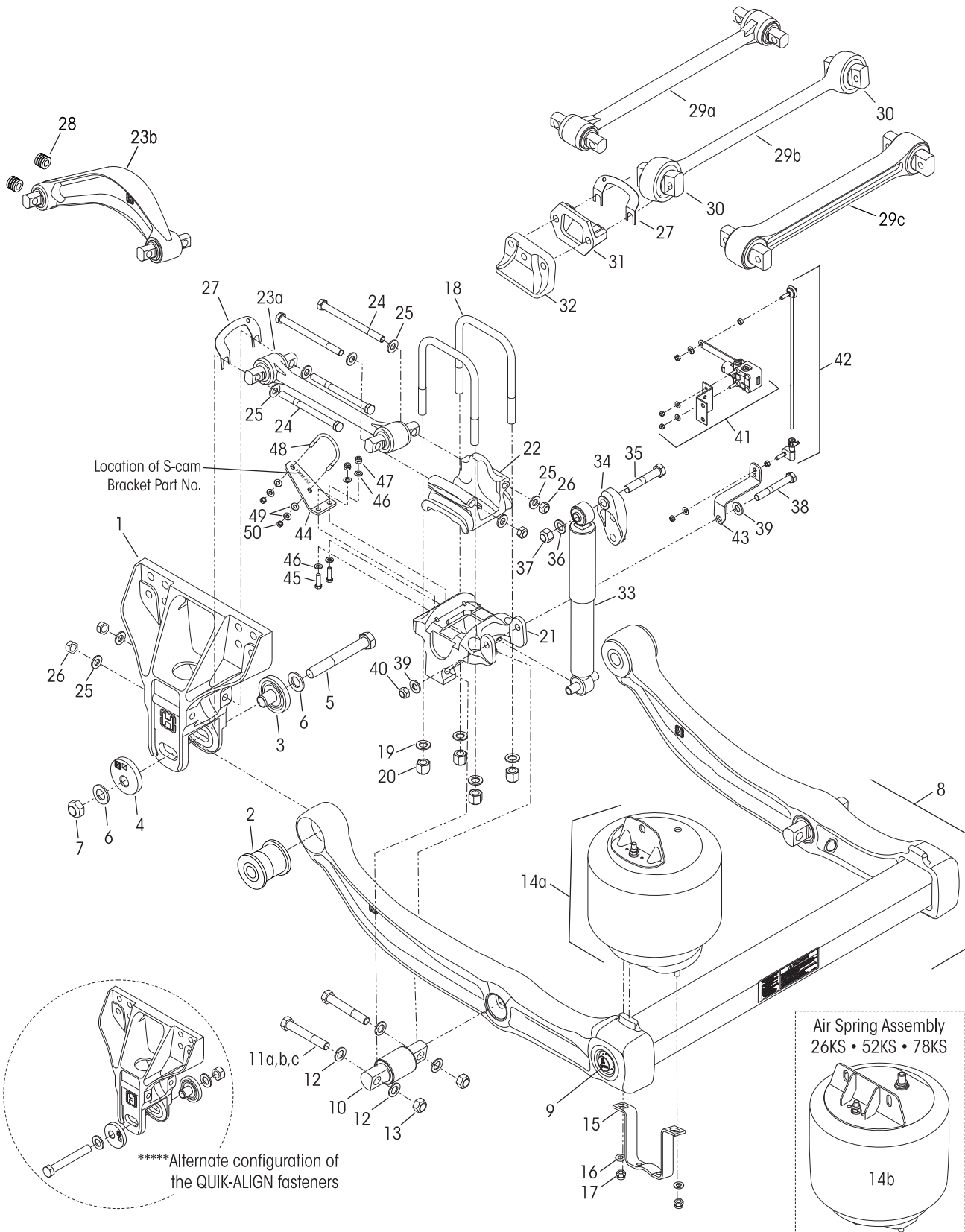
26KS • 52KS • 78KS Capacity

10" Ride Height

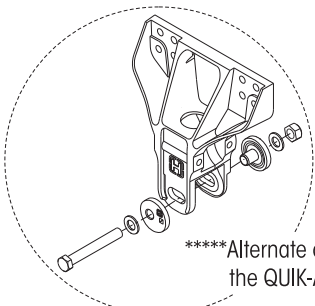
S – designates Small Clamp Group



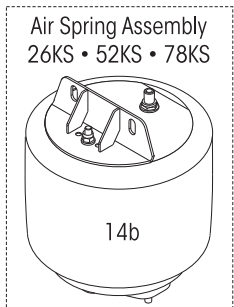
PARTS LISTS



Location of S-cam Bracket Part No.



*****Alternate configuration of the QUIK-ALIGN fasteners





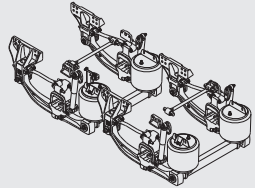
KEY NO.	PART NO.	DESCRIPTION	VEHICLE *QTY.
1	67706-000	EX Frame Hanger	4
		QUIK-ALIGN Pivot Bushing Service Kit, Includes Key Nos. 2-7, 51	
	60961-720	One Wheel End	
	60632-020	Axle Set	
		QUIK-ALIGN Collar Service Kit, Includes Key Nos. 3-7	
	60632-019	One Wheel End	
	60632-021	Axle Set	
	60632-018	QUIK-ALIGN Fastener Service Kit, One Wheel End, Includes Key Nos. 5-7	
2		**QUIK-ALIGN Pivot Bushing	4
3		**QUIK-ALIGN Concentric Collar	4
4		**QUIK-ALIGN Eccentric Collar	4
5		**1"-14 UNF x 7½" Hex Bolt	4
6		**1" Flat Washer	8
7		**1"-14 UNF Locknut	4
8		U-beam Assembly, Includes Key Nos. 2, 9-10	2
		• Front	
	67249-004	34" Frame Width	
	67249-012	34½" Frame Width	
	67249-010	34½" Frame Width	
		• Rear	
	67249-003	34" Frame Width	
	67249-011	34½" Frame Width	
	67249-009	34½" Frame Width	
9	69565-001	U-beam Assembly Enhancement Aftermarket Service Kit, Axle Set, <i>see Page 269 for contents</i>	
		Single D-Pin Bushing Service Kit, Includes Key Nos. 10, 11a, 12-13	
	34013-107	Includes Key Nos. 10, 11b, 12-13	
	34013-117	Includes Key Nos. 10, 11c, 12-13	
10		**D-Pin Bushing	4
		D-Pin Fastener Service Kit, Axle Set, Includes Key Nos. 11a, 12-13	
	56659-009	Includes Key Nos. 11b, 12-13	
	56659-012	Includes Key Nos. 11c, 12-13	
	56659-014	Includes Key Nos. 11c, 12-13	
11		**¾"-16 UNF Bolt	8
a		Length 5"	
b		Length 4¾"	
c		Length 5¼"	
12		**¾" Flat Washer	16
13		**¾"-16 UNF Locknut	8
		Single Air Spring Service Kit, 23K • 46K • 69K, Includes Key Nos. 14a, 15-17	
	60961-230	26KS • 52KS • 72KS, Includes Key Nos. 14b, 15-17	
	60961-744		
14		Air Spring Assembly, Includes Upper Frame Bracket	
a	67043-002L	23K • 46K • 69K	
b	67247-002	26KS • 52KS • 72KS	
	49177-006	Single Lower Air Spring Service Kit, Includes Key Nos. 16-17	
15	60911-002	Lower Air Spring Mounting Bracket	4
16		**½" Flat Washer	8
17		**½"-13 UNF Locknut	8
	48718-127	U-bolt Service Kit, One Wheel End, Includes Key Nos. 18-20	
18		**¾" Square U-bolt - Length 8⅞"	8
19		**¾" Flat Washer	16
20		**¾"-16 UNF U-bolt Locknut	16
21	60556-XXX	Bottom Cap - Front and Rear (Casting No. 60272-000), <i>see Selection Guide on Page 297</i>	4

KEY NO.	PART NO.	DESCRIPTION	VEHICLE *QTY.
22	65289-000	Top Pad for Drum Brakes Only, <i>see Selection Guide on Page 297 for Air Disc Brake</i>	4
23		Longitudinal Torque Rod, <i>see Selection Guide on Page 297</i>	4
a	67428-XXX	Drum Brakes	
b	68801-XXX	Air Disc Brakes	
	49176-032	Longitudinal Torque Rod Fastener Service Kit, One Torque Rod, Includes Key Nos. 24a-26	
24		**¾"-11 UNC Bolt	16
a		8" Length	
b		9" Length	
25		**¾" Flat Washer	32
26		**¾"-11 UNC Locknut	16
27	49689-000L	Shim	As required
28		Torque Rod Pinion Spacer, <i>see Selection Guide on Page 297</i>	8
29		**Transverse Torque Rod Assembly, Includes Bushings, Specify length in mm	2
a	67428-XXX	ULTRA ROD with Non-serviceable Bushings	
b	72000-XXXS	ULTRA ROD PLUS Forged	
c	72000-XXXC	ULTRA ROD PLUS Cast	
30		Bushing - Straddle Bar Pin (⅝" Holes)	4
a	64400-002L	ULTRA ROD PLUS	
b	66649-002L	XTRB	
31	22186-000	Transverse Torque Rod Frame Bracket	2
32	60593-000L	Axle Stop, Frame Mounted	4
33		Shock Absorber	4
	60657-003L	23K • 46K • 69K	
	60665-011	26KS • 52KS • 72KS	
34	67463-002	Upper Shock Frame Bracket	4
		Single Shock Fastener Service Kits, Includes Key Nos. 35-40	
	50754-030	23K • 46K • 69K	
	50754-029	26KS • 52KS • 72KS	
35		**¾"-10 UNC x 4¼" Upper Shock Bolt	4
36		**¾" Flat Washer	4
37		**¾"-10 UNC Locknut	4
38		**⅝"-11 UNC Lower Shock Bolt	4
39		**⅝" Flat Washer	8
40		**⅝"-11 UNC-2B Locknut	4
		Height Control Valve Assembly Service Kit, Includes Key Nos. 41-43	
	58525-019	Single	
	58525-024	Axle Set	
41	57977-000	*****Height Control Valve Assembly	
42	58994-005L	*****HCV Linkage Assembly	
43	60921-000	*****Height Control Valve Linkage Bracket	
44	64508-XXX	****S-cam Support Bracket	4
		<i>See Part No. on Component</i>	
	58821-017	****S-cam Fastener Service Kit, Axle Set, Includes Key Nos. 45-50	
45		**⅝"-16 UNC x 1¼" Hex Bolt	8
46		**⅝" Hardened Washer	16
47		**⅝"-16 UNC Locknut	8
48		**⅝" S-Cam U-bolt	4
49		**⅝" Hardened Washer	16
50		**⅝"-18 UNC Locknut	8
51	70867-001	P-80 Lubricant - 10 ml (Not Shown)	Per Bushing 1

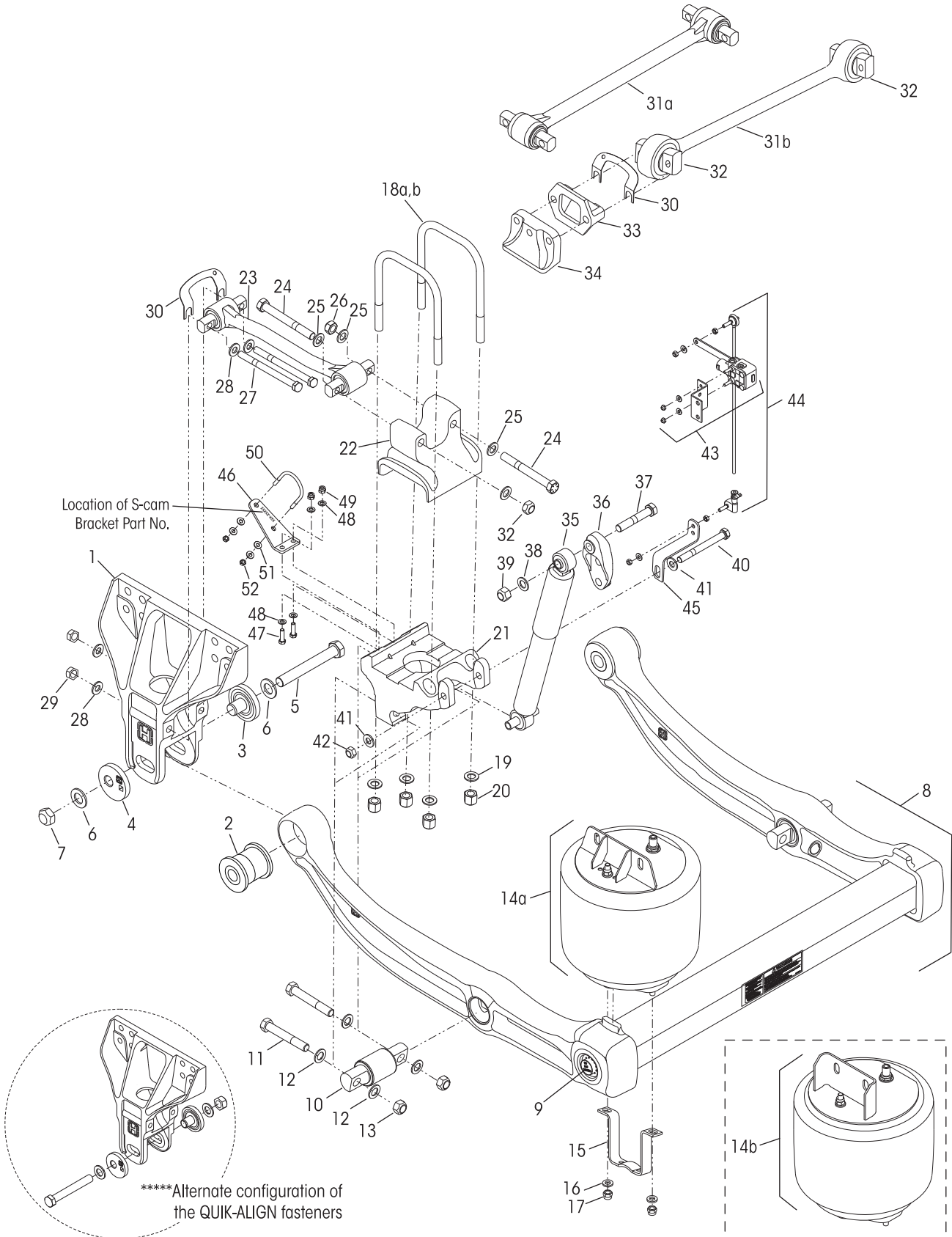


26K • 52K • 78K Capacity

10" Ride Height



PARTS LISTS



Location of S-cam
Bracket Part No.

****Alternate configuration of
the QUIK-ALIGN fasteners



			VEHICLE				VEHICLE
KEY NO.	PART NO.	DESCRIPTION	*QTY.	KEY NO.	PART NO.	DESCRIPTION	*QTY.
1	67706-000	EX Frame Hanger	4	19		**¾" Flat Washer	16
		QUIK-ALIGN Pivot Bushing Service Kit,		20		**¾"-16 UNF U-bolt Locknut	16
		Includes Key Nos. 2-7, 53		21		Bottom Cap, <i>see Selection Guide on Page 298</i>	4
	60961-720	One Wheel End		22		Top Pad, <i>see Illustration on Page 298</i>	2
	60632-020	Axle Set		23		Longitudinal Torque Rod, <i>see Selection Guide on Page 299</i>	4
		QUIK-ALIGN Collar Service Kit,				Longitudinal Torque Rod Fastener Service Kit, Axle Set	
		Includes Key Nos. 3-7				Includes Key Nos. 24-29	
	60632-019	One Wheel End		49176-031		Includes Key Nos. 27-29	
	60632-021	Axle Set		49176-032			
	60632-018	QUIK-ALIGN Fastener Service Kit,		24		**¾"-16 UNF x 6" Hex Bolt	8
		One Wheel End, Includes Key Nos. 5-7		25		**¾" Flat Washer	16
2		**QUIK-ALIGN Pivot Bushing	4	26		**¾"-16 UNF Locknut	8
3		**QUIK-ALIGN Concentric Collar	4	27		**⅝"-11 UNF x 8" Hex Bolt	8
4		**QUIK-ALIGN Eccentric Collar	4	28		**⅝" Flat Washer	16
5		**1"-14 UNF x 7½" Hex Bolt	4	29		**⅝"-11 UNC Locknut	8
6		**1" Flat Washer	8	30	49689-000L	Shim (As Required)	
7		**1"-14 UNF Locknut	4	31		***Transverse Torque Rod Assembly,	2
8		U-beam Assembly, Includes Key Nos. 2, 9-10	2			Includes Bushings, Specify length in mm	
		• Front		a	67428-XXX	ULTRA ROD with Non-serviceable Bushings	
	67249-006	34" Frame Width		b	72000-XXXS	ULTRA ROD PLUS	
	67249-014	34⅝" Frame Width		32		Bushing - Straddle Bar Pin (⅝" Holes)	4
	67249-016	34½" Frame Width		a	64400-002L	ULTRA ROD PLUS	
		• Rear		b	66649-002L	XTRB	
	67249-005	34" Frame Width		33	22186-000	Transverse Torque Rod Frame Bracket	2
	67249-013	34⅝" Frame Width		34	60593-000L	Axle Stop, Frame Mounted	4
	67249-015	34½" Frame Width		35	60665-013L	Shock Absorber	4
9	69565-001	U-beam Assembly Enhancement Aftermarket Service Kit, Axle Set, <i>see Page 269 for contents</i>		36	67463-002	Upper Shock Frame Bracket	4
					50754-029	Single Shock Absorber Fastener Service Kit,	
	34013-114	Single D-Pin Bushing Service Kit,				Includes Key Nos. 37-42	
		Includes Key Nos. 10-13		37		**¾"-10 UNC x 4¼" Upper Shock Bolt	4
10		**D-Pin Bushing	4	38		**¾" Flat Washer	4
	56659-010	D-Pin Fastener Service Kit, Axle Set		39		**¾"-10 UNC Locknut	4
		Includes Key Nos. 11-13		40		**⅝"-11 UNC x 7" Lower Shock Bolt	4
11		**⅞"-14 UNF x 5" Bolt	8	41		**⅝" Flat Washer	8
12		**⅞" Flat Washer	16	42		**⅝"-11 UNC Locknut	4
13		**⅞"-14 UNF Locknut	8			Height Control Valve Assembly Service Kit,	
		Air Spring Service Kits				Includes Key Nos. 43-45	
	60961-744	Single, Upper and lower, Includes Key Nos. 14a, 15-17		58525-019		Single	
	49177-033	Axle Set, Lower, Includes Key Nos. 15-17		58525-024		Axle Set	
14		Air Spring Assembly with Upper Frame Bracket	4	43	57977-000	*****Height Control Valve Assembly	
	a	Standard		44	58994-005L	*****HCV Linkage Assembly	
	b	Tridem 78K Only		45	60921-000	*****Height Control Valve Linkage Bracket	
15	60911-002	Lower Air Spring Mounting Bracket	4	46	64508-XXX	S-cam Support Bracket	4
	49177-006	Single Lower Air Spring Fasteners Service Kit,				<i>See Part No. on Component</i>	
		Includes Key Nos. 16-17			58821-017	S-cam Service Kit, Axle Set	
16		**½" Flat Washer	4			Includes Key Nos. 47-52	
17		**½"-13 UNC Locknut	4	47		**⅜"-16 UNC x 1¼" Hex Bolt	8
		U-bolt Service Kit, Includes Key Nos. 18-20		48		**⅜" Hardened Washer	16
	48718-120	One Wheel End		49		**⅜"-16 UNC Locknut	8
	48718-117	Axle Set		50		**⅝" S-Cam U-bolt	4
18		**¾" Square U-bolt	4	51		**⅝" Hardened Washer	16
	a	10", Outboard		52		**⅝"-18 UNC Locknut	8
	b	10½", Inboard		53	70867-001	P-80 Lubricant - 10 ml (Not Shown)	Per Bushing 1



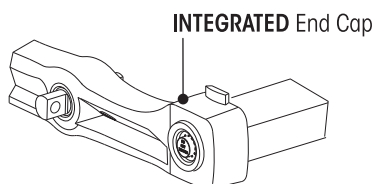
Technical Notes

The following information is intended to assist in determining which suspension is equipped on the vehicle. As an example, in Figure 1, the end cap/frame hanger helps identify whether the suspension is the current model PRIMAAX EX or the previous production model PRIMAAX. Figure 2 identifies the ride height.

FIGURE 1

PRIMAAX EX • PRIMAAX

PRIMAAX EX | Enhanced U-beam Assembly with Integrated End Cap



PRIMAAX | Support Beam with Detachable End Cap

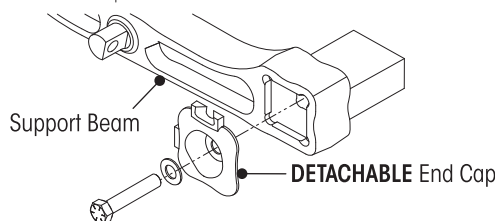
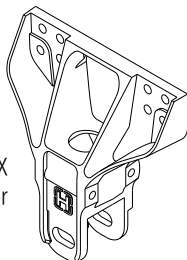


FIGURE 2

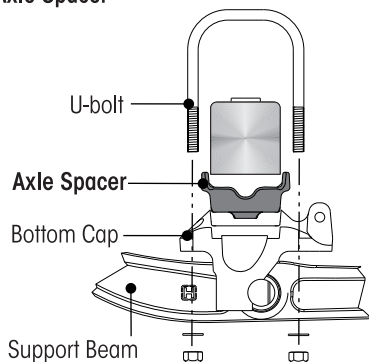
RIDE HEIGHT

9" Ride Height

PRIMAAX EX / PRIMAAX
Frame Hanger

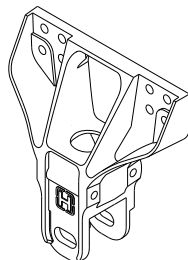


AND
Axle Spacer

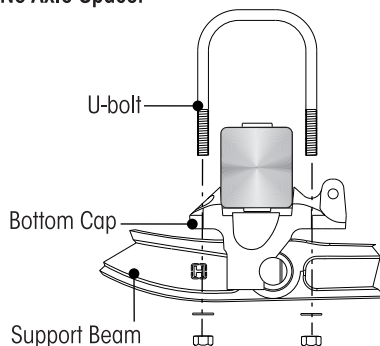


10½" Ride Height

PRIMAAX EX
Frame Hanger

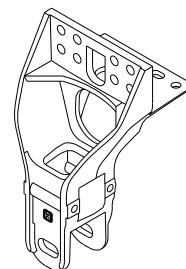


AND
No Axle Spacer

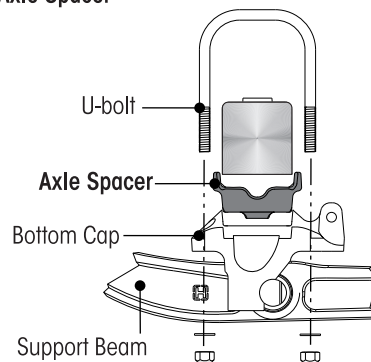


13" Ride Height

PRIMAAX EX
Frame Hanger



AND
Axle Spacer



NOTES: * Quantities specified are shown for a tandem suspension. Adjust quantities for single or tridem suspensions. Quantities of service kit components may vary from amount shown in lists. For Severe Service kits, see Page 269.

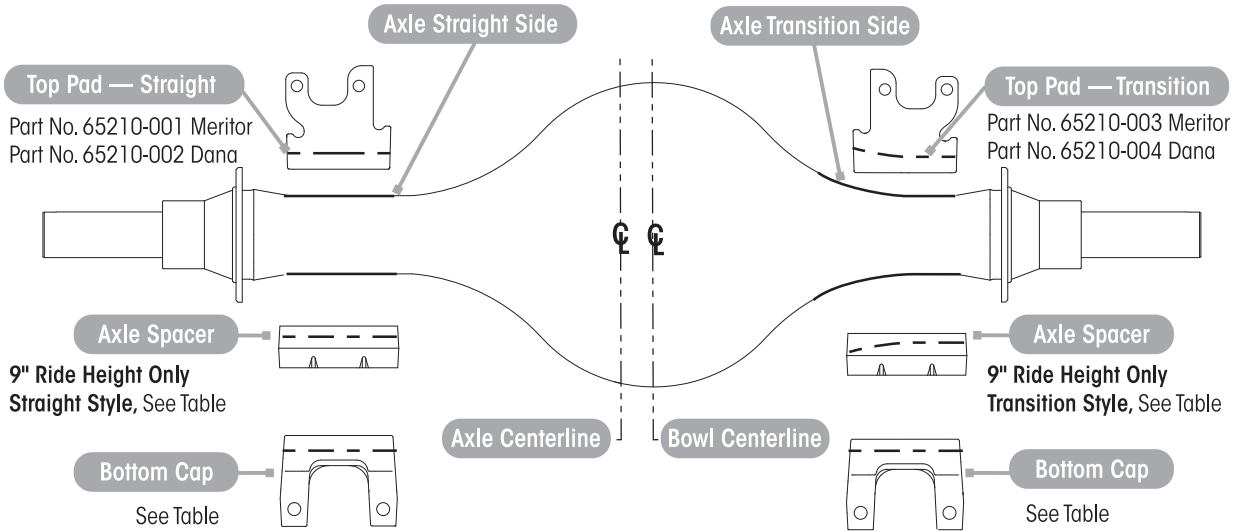
** Item included in kit/assembly only, part not sold separately.

*** Transverse torque rods are mandatory for the PRIMAAX EX • PRIMAAX suspensions regardless of axle spacing, see Literature No. 59310-004 and 59310-058 for more information.

**** Alternate configuration of the QUIK-ALIGN fasteners. The locknuts located inboard will allow additional clearance for wider tires or tires with chains. Tightening is still required ONLY on the locknut.



■ Bottom Cap • Axle Spacer • Top Pad Selection Guide



PARTS LISTS

Page 312

PRIMAAX EX 26K • 52K • 78K

Axle Manufacturer	Beam Centers	Bottom Cap Part Number				Axle Spacer Part Number			
		Straight Side		Transition Side		Straight Side		Transition Side	
		Front	Rear	Front	Rear	Front	Rear	Front	Rear
MERITOR	40.0"	65208-001	65208-003	See Axle Spacer	65276-000		65277-000		
	40.5"				—		67973-004		
DANA	40.0"	65208-002	65208-004		65274-000		65275-000		
	40.5"				—		67973-002		

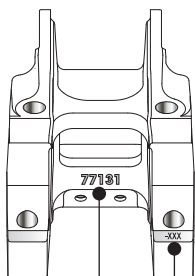


■ Bottom Cap • Longitudinal Torque Rod • Top Pad Assembly Selection Guide

Page 308 PRIMAAX EX 23K • 46K • 69K | 26KS ■ 9", 10½" Ride Heights
 Page 310 PRIMAAX EX 23K T • 46K T • 69K T ■ 13" Ride Height
 Page 314 PRIMAAX 230 • 460 • 690 ■ 9" Ride Height

PARTS LISTS

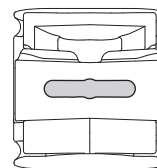
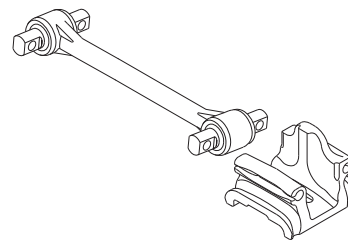
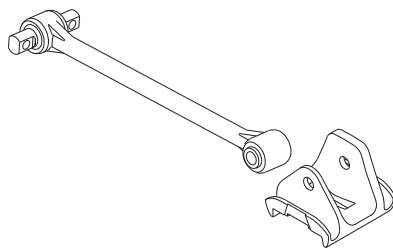
Drum Brakes					
Pinion Angle	♦Bottom Cap Part Number	Thru Bolt Style Part Number		Bar Pin Style Part Number	
		♦♦Longitudinal Torque Rod	Top Pad	Longitudinal Torque Rod	Top Pad
2.5°	60556-025	67274-510 67274-515 67274-540	65290-001	62000-640N 62000-645N 62035-475N 62039-440N 62040-475N 62040-490N 62043-430N	65289-000 65289-008
3.0°	60556-030				
3.5°	60556-035				
5.5°	60556-055				
10.0°	60556-100				
10.5°	60556-105				
11.0°	60556-110				



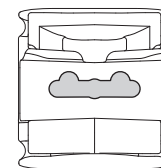
Casting No. Location

Location of etched last 3 digits of Part No. 60556-XXX

Bottom View



Part Number 65289-000



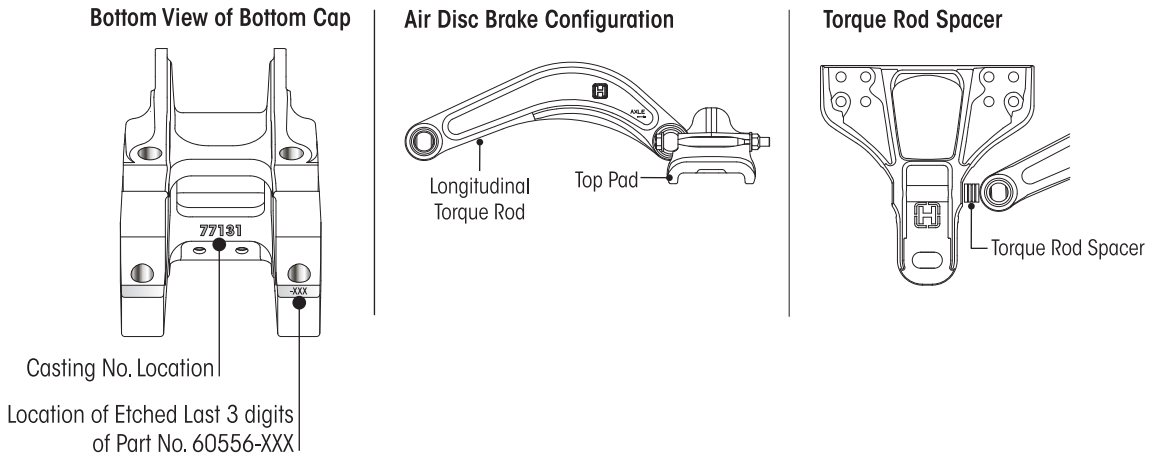
Part Number 65289-008

Top View

NOTES: ♦ For specific part numbers see last three (3) digits etched on the bottom of the bottom cap as shown in the illustration above.
 ♦♦ Non-serviceable torque rod bushings, requires replacement of complete torque rod assembly with bushings.



■ Bottom Cap • Longitudinal Torque Rod • Torque Rod Spacer Selection Guide



PARTS LISTS

Page 308

PRIMAAX EX 23K • 46K • 69K | 26KS ■ 9" Ride Height

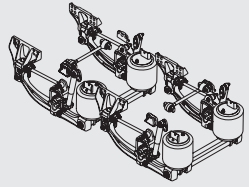
Air Disc Brakes							
Forward Rear			Rear Rear			Torque Rod Spacer	
Pinion Angle	*Bottom Cap Part Number	**Longitudinal Torque Rod	Pinion Angle	*Bottom Cap Part Number	**Longitudinal Torque Rod	Length in mm	Part Number
3.3°	60556-025	67219-435	11.26°	60556-100	67219-475	0	
3.86°	60556-030		11.7°	60556-105		0	
4.2°	60556-035		12.15°	60556-110		0	
4.36°	60556-025		12.28°	60556-100		6.35	67045-072
4.92°	60556-030		12.73°	60556-105		6.35	67045-072
5.26°	60556-035		13.17°	60556-110		6.35	67045-072
5.42°	60556-025		13.29°	60556-100		12.7	67045-071
5.97°	60556-030		13.74°	60556-105		12.7	67045-071
5.98°	60556-055		13.96°	60556-055		0	
6.32°	60556-035		14.19°	60556-110		12.7	67045-071
6.46°	60556-025		14.3°	60556-100		19.05	67045-070
7.02°	60556-030					19.05	67045-070
7.04°	60556-055					6.35	67045-072
7.36°	60556-035					19.05	67045-070
7.5°	60556-025				25.4	67045-069	
8.05°	60556-030				25.4	67045-069	
8.09°	60556-055				12.7	67045-071	
8.4°	60556-035				25.4	67045-069	
9.13°	60556-055				19.05	67045-070	
10.17°	60556-055				25.4	67045-069	

NOTES: ♦ For specific part numbers see the last three (3) digits etched on the bottom of the bottom cap as shown in the illustration above.
 ♦♦ Non-serviceable torque rod bushings, requires replacement of complete torque rod assembly with bushings.



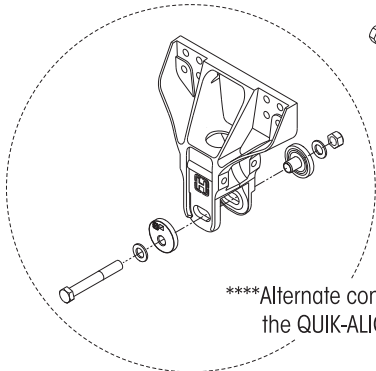
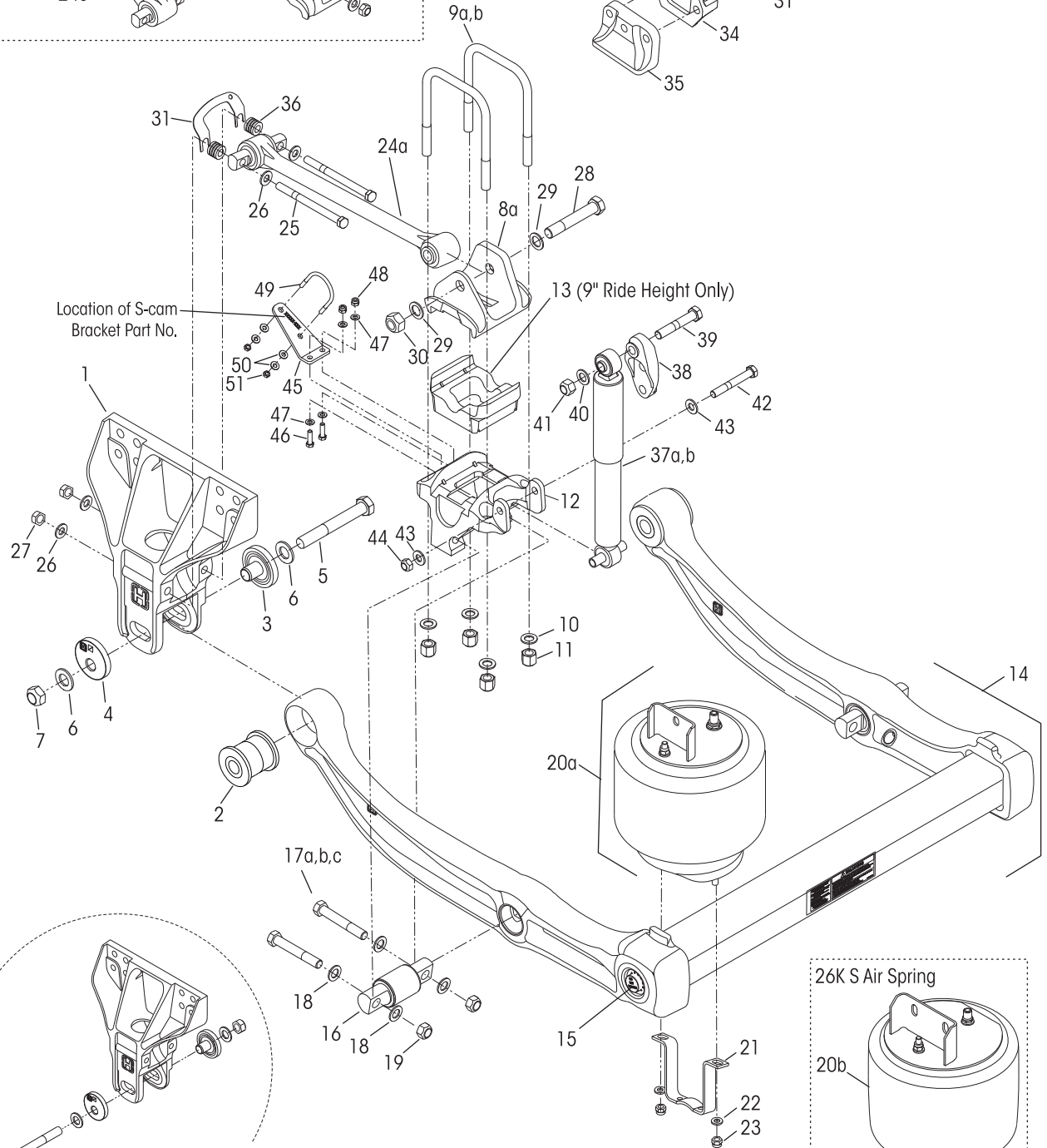
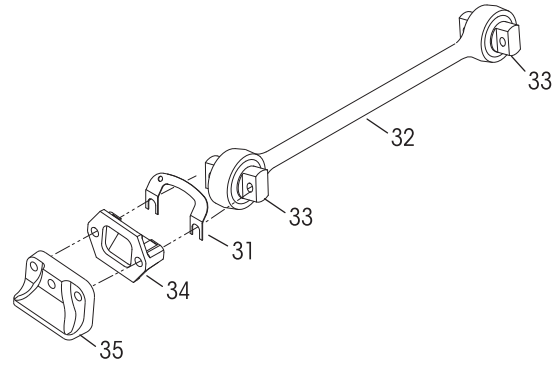
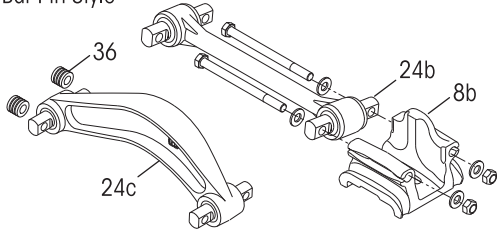
23K • 46K • 69K Capacity
26KS Capacity

9" – 10½" Ride Height
S – designates Small Clamp Group

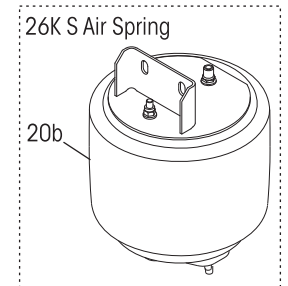


PARTS LISTS

Alternate configuration for Top Pad/Torque Rod connection Bar Pin Style



****Alternate configuration of the QUIK-ALIGN fasteners





KEY NO.	PART NO.	DESCRIPTION	VEHICLE *QTY.
1	67706-000	Frame Hanger	4
		QUIK-ALIGN® Pivot Bushing Service Kits, Includes Key Nos. 2-7, 52	
	60961-720	One Wheel End	
	60632-020	Axle Set	
		QUIK-ALIGN Collar Service Kit, Includes Key Nos. 3-7	
	60632-019	Replaces 60632-006	
	60632-021	Axle Set	
	60632-018	QUIK-ALIGN Fastener Service Kit, One Wheel End, Includes Key Nos. 5-7, Replaces 60632-005	
2		**Pivot Bushing	4
3		**Concentric Collar	4
4		**Eccentric Collar	4
5		**1" -14 UNF-2A x 7½" H-Coat Hex Bolt	4
6		**1" H-Coat Flat Washer	8
7		**1" -14 UNF-2B H-Coat Locknut	4
8		Top Pad, <i>see Selection Guide on Page 306</i>	4
	a 65290-XXX	Thru Bolt Style	
	b 65289-XXX	Bar Pin Style, Air Disc Brake	
		U-bolt Service Kit, One Wheel End, Includes Key Nos. 9a, 10-11	
	48718-108	Includes Key Nos. 9b, 10-11 (Thru Bolt Style)	
	48718-125	Includes Key Nos. 9c, 10-11 (Bar Pin Style)	
9		**¾" Square U-bolt	8
	a	8¾" Length - 10½" Ride Height	
	b	10¾" Length - 9" Ride Height	
	c	10¾" Length - 9" Ride Height	
10		**¾" Flat Washer	16
11		**¾" -16 UNF U-bolt Locknut	16
12	60556-XXX	Bottom Cap - Front and Rear <i>See Selection Guide on Page 306 & 307</i>	4
13	65139-003	Axle Spacer, 9" Ride Height Only	4
14		U-beam Assembly, Includes Key Nos. 2, 16	2
		• Front Frame Width	
	67249-012	34.3"	
	67249-010	34.5"	
	67249-024	34.8"	
		• Rear Frame Width	
	67249-011	34.3"	
	67249-009	34.5"	
	67249-023	34.8"	
15	69565-001	U-beam Assembly Enhancement Aftermarket Service Kit, Axle Set, <i>see Page 269 for contents</i>	
		Single D-Pin Bushing Service Kit, Includes Key Nos. 16, 17a, 18-19	
	34013-107	Includes Key Nos. 16, 17b, 18-19	
	34013-116	Includes Key Nos. 16, 17c, 18-19	
	34013-117	Includes Key Nos. 16, 17c, 18-19	
16		**D-Pin Bushing	4
		D-Pin Fastener Service Kit, Axle Set, Includes Key Nos. 17a, 18-19	
	56659-009	Includes Key Nos. 17b, 18-19	
	56659-013	Includes Key Nos. 17c, 18-19	
	56659-012	Includes Key Nos. 17c, 18-19	
17		**¾" -16 UNF Bolt	8
	a	5" Length	
	b	5½" Length	
	c	4¾" Length	
18		**¾" Flat Washer	16
19		**¾" -16 UNF Locknut	8
		Single Air Spring Service Kit, Includes Key Nos. 20a-23	
	60961-664	Includes Key Nos. 20b-23	
	60961-665	Includes Key Nos. 20b-23	

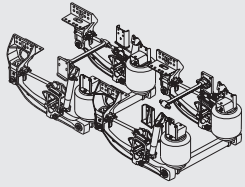
KEY NO.	PART NO.	DESCRIPTION	VEHICLE *QTY.
20		Air Spring Assembly with Upper Frame Bracket	4
	a 67234-002L	23K•46K•69K	
	b 68056-002L	26K S	
21	60911-002	Lower Air Spring Mounting Bracket	4
	49177-006	Single Lower Air Spring Fastener Service Kit, Includes Key Nos. 22-23	
22		**½" Flat Washer	8
23		**½" -13 UNC Locknut	8
24		Longitudinal Torque Rod Assembly <i>See Selection Guide on Page 306 & 307</i>	4
	a 67274-XXX	Thru Bolt Style	
	b 620XX-XXXN	Bar Pin Style	
	c 67219-XXX	Air Disc Brake	
		Single Longitudinal Torque Rod Fastener Kit, Thru Bolt and Bar Pin Connection, Includes Key Nos. 25-30	
	49176-026	2-Bar Pin Connections, Includes Key Nos. 25-27	
	49176-032	Rear Thru Bolt Connection Only, Includes	
	58821-012	Key Nos. 28-30	
25		**⅝" -11 UNC-2B x 8" Bolt	8
26		**⅝" Flat Washer	16
27		**⅝" -11 UNC-2A Locknut	8
28		**⅞" -14 UNF-2A x 5½" Hex Bolt	4
29		**⅞" H-Coat Flat Washer	8
30		**⅞" -14 UNF-2B Locknut	4
31	49689-000L	Shim	As Req.
32	72000-XXXS	***ULTRA ROD® PLUS™ Transverse Torque Rod Assembly, Includes Key No. 33, Specify length in mm	2
33	64400-002L	Bushing - Straddle Bar Pin (⅝" Holes)	4
34	22186-000	Transverse Torque Rod Frame Bracket	2
35	60593-000L	Axle Stop, Frame Mounted	4
36	67045-XXX	Torque Rod Spacer <i>See Selection Guide on Page 307</i>	
37	a 60657-003L	Shock Absorber	4
	b 70807-001	Heavy-duty Shock Absorber, Optional	4
	c 60665-011	Shock Absorber - 26K S	2
38	67463-002	Upper Shock Frame Bracket	4
	50754-030	Single Shock Fastener Service Kit, Includes Key Nos. 39-44	
39		**¾" -10 UNC x 4¼" Upper Shock Bolt	4
40		**¾" Flat Washer	4
41		**¾" -10 UNC Locknut	4
42		**⅝" -11 UNC x 6" Lower Shock Bolt	4
43		**⅝" Flat Washer	8
44		**⅝" -11 UNC-2B Locknut	4
	NOTE	Key Nos. 45-51 are not required if equipped with 24c and Air Disc Brake	
45	64508-XXX	S-cam Support Bracket, <i>Locate part number on component</i>	4
	58821-017	S-cam Fastener Service Kit, Axle Set, Includes Key Nos. 46-51	
46		**⅞" -16 UNC x 1¼" Hex Bolt	8
47		**⅞" Hardened Washer	16
48		**⅞" -16 UNC Locknut	8
49		**⅝" S-cam U-bolt	4
50		**⅝" Hardened Washer	16
51		**⅝" -18 UNC Locknut	8
52	70867-001	P-80 Lubricant - 10 ml (Not Shown)	per Bushing 1



23KT • 46KT • 69KT Capacity

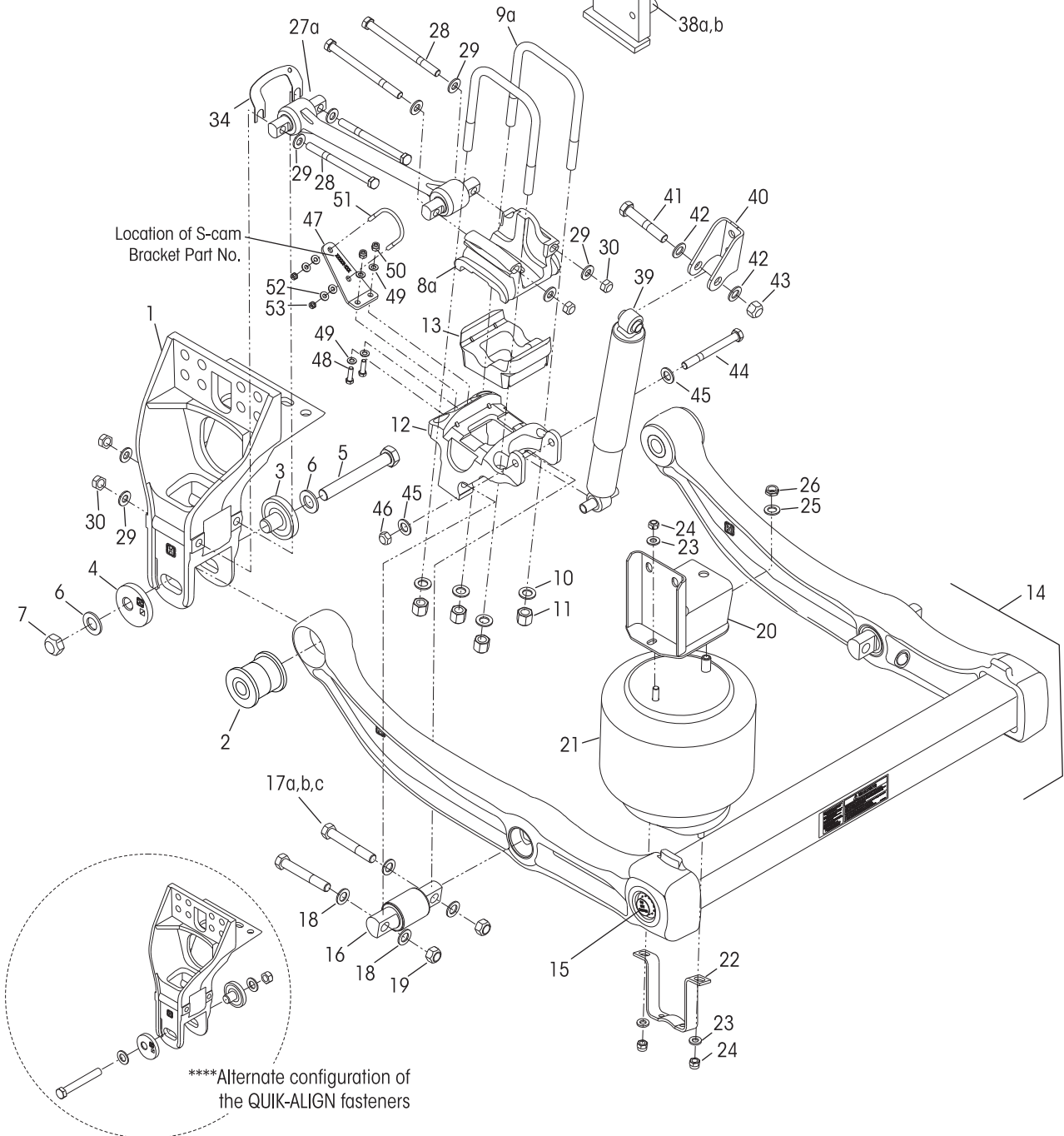
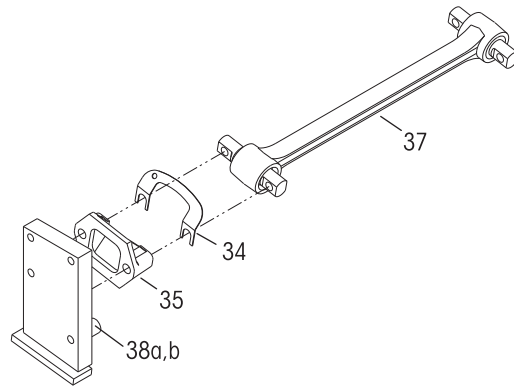
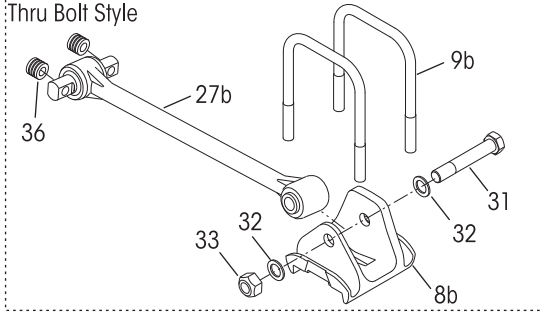
13" Ride Height

T – designates Tall Ride Height



PARTS LISTS

Alternate configuration for Top Pad/Torque Rod connection Thru Bolt Style





KEY NO.	PART NO.	DESCRIPTION	VEHICLE *QTY.
1		Frame Hanger	
	67299-001	Left Hand	2
	67299-002	Right Hand	2
		QUIK-ALIGN® Pivot Bushing Service Kit, Includes Key Nos. 2-7, 54	
	60961-720	One Wheel End	
	60632-020	Axle Set	
		QUIK-ALIGN Collar Service Kit, Includes Key Nos. 3-7	
	60632-019	One Wheel End, Replaces 60632-006	
	60632-021	Axle Set	
	60632-018	QUIK-ALIGN Pivot Bolt Service Kit, One Wheel End, Includes Key Nos. 5-7, Replaces 60632-005	
2		**Pivot Bushing	4
3		**Concentric Collar	4
4		**Eccentric Collar	4
5		**1" -14 UNF-2A x 7½" H-Coat Hex Bolt	4
6		**1" H-Coat Flat Washer	8
7		**1" -14 UNF-2B H-Coat Locknut	4
8		Top Pad, see <i>Selection Guide on Page 306</i>	4
a	65289-XXX	Bar Pin Style	
b	65290-XXX	Thru Bolt Style	
		U-bolt Service Kit, One Wheel End, Includes Key Nos. 9a, 10-11 (Bar Pin Style) Includes Key Nos. 9b, 10-11 (Thru Bolt Style)	
9		**¾" Square U-bolt	8
a		10¾" Length, Bar Pin Style	
b		10¾" Length, Thru Bolt Style	
10		**¾" Flat Washer	16
11		**¾"-16 UNF U-bolt Locknut	16
12	60556-XXX	Bottom Cap, see <i>Selection Guide on Page 306</i>	4
13	65139-003	Axle Spacer (required)	4
14		U-beam Assembly, Includes Key Nos. 2, 16	2
		• Front Frame Width	
	67249-012	34.3"	
	67249-010	34.5"	
	67249-024	34.8"	
		• Rear Frame Width	
	67249-011	34.3"	
	67249-009	34.5"	
	67249-023	34.8"	
15	69565-001	U-beam Assembly Enhancement Aftermarket Service Kit, Axle Set, see <i>Page 269 for contents</i>	
		Single D-Pin Bushing Service Kit, Includes Key Nos. 16, 17a, 18-19 Includes Key Nos. 16, 17b, 18-19 Includes Key Nos. 16, 17c, 18-19	
16		**D-Pin Bushing	4
		D-Pin Fastener Service Kit, Axle Set, Includes Key Nos. 17a, 18-19 Includes Key Nos. 17b, 18-19 Includes Key Nos. 17c, 18-19	
17		**¾"-16 UNF Bolt	8
a		5" Length	
b		5½" Length	
c		4¾" Length	
18		**¾" Flat Washer	16
19		**¾"-16 UNF Locknut	8

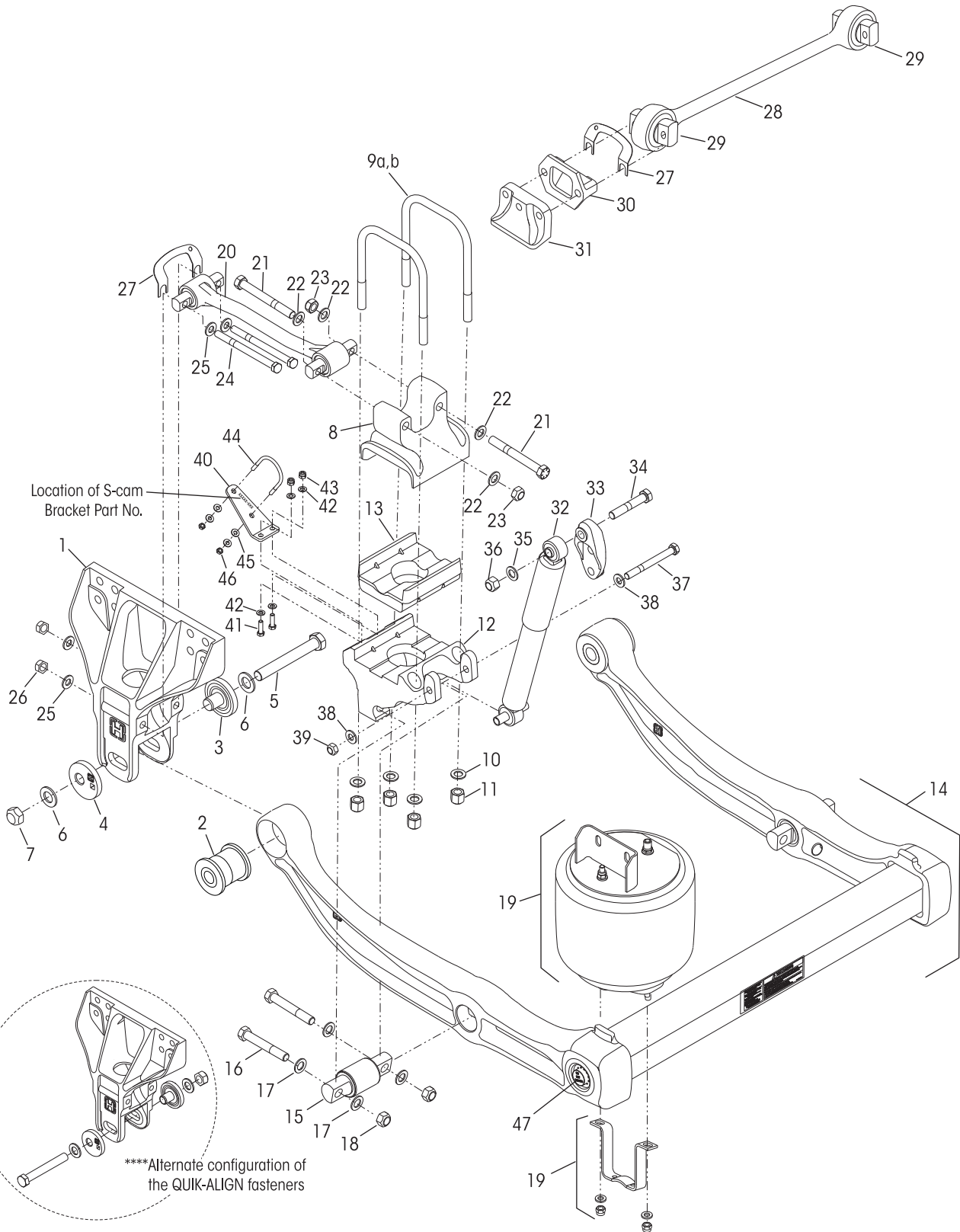
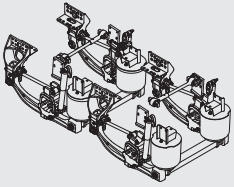
KEY NO.	PART NO.	DESCRIPTION	VEHICLE *QTY.
	67923-002	Air Spring Assembly, Includes Key Nos. 20-21, 23-26	4
20	65031-001	Upper Air Spring Bracket Assembly	4
	60961-724	Single Air Spring Service Kit, Includes Key Nos. 21-26	
21	68070-002L	Air Spring	4
22	60911-002	Lower Air Spring Mounting Bracket	4
		Single Air Spring Fastener Service Kit, Lower, Includes Key Nos. 23-24 Upper/Lower, Includes Key Nos. 23-26	
	49177-006		
	49177-023		
23		**½" Flat Washer	12
24		**½"-13 UNC Locknut	12
25		**¾" Flat Washer	4
26		**¾"-16 UNF Locknut	4
a,b		Longitudinal Torque Rod Assembly, Includes Bushing. Specify length in mm, see <i>Selection Guide on Page 306</i>	4
		Single Longitudinal Torque Rod Fastener Kit, Thru Bolt and Bar Pin Connection, Includes Key Nos. 28-33	
	49176-026		
	49176-032	2-Bar Pin Connections, Includes Key Nos. 28-30	
	58821-012	Rear Thru Bolt Connection Only, Includes Key Nos. 31-33	
27		**⅝"-11 UNC-2B x 8" Bolt	16
28		**⅝" Flat Washer	32
29		**⅝"-11 UNC-2A Locknut	16
30		**⅞"-14 UNF-2A x 5½" Hex Bolt	4
31		**⅞" H-Coat Flat Washer	8
32		**⅞"-14 UNF-2B Locknut	4
33	49689-000L	Shim	As Req.
34	22186-000	Transverse Torque Rod Frame Bracket	2
35	67045-XXX	Torque Rod Spacer, see <i>Selection Guide on Page 307</i>	
36	62011-XXXN	***Transverse Torque Rod Assembly, Includes Key No. 38, Specify length in mm	2
37		Axle Stop, Frame Mounted	4
a	65510-001	0° Axle Tower	
b	65510-002	20° Axle Tower	
38	60665-011	Shock Absorber	4
39	59423-001	Upper Shock Frame Bracket	4
	50754-030	Single Shock Fastener Service Kit, Includes Key Nos. 41-46	
40		**¾"-10 UNC x 4¼" Upper Shock Bolt	4
41		**¾" Flat Washer	8
42		**¾"-10 UNC Locknut	4
43		**⅝"-11 UNC x 6" Lower Shock Bolt	4
44		**⅝" Flat Washer	8
45		**⅝"-11 UNC-2B Locknut	4
	NOTE	Key Nos. 47-53 are not required if equipped with 24c and Air Disc Brake	
46	64508-XXX	S-cam Support Bracket, <i>Locate part number on component</i>	4
	58821-017	S-cam Fastener Service Kit, Axle Set, Includes Key Nos. 48-53	
47		**⅝"-16 UNC x 1¼" Hex Bolt	8
48		**⅝" Hardened Washer	16
49		**⅝"-16 UNC Locknut	8
50		**⅝"-16 S-cam U-bolt	4
51		**⅝"-16 Hardened Washer	16
52		**⅝"-18 UNC Locknut	8
53	70867-001	P-80 Lubricant - 10 ml (Not Shown) per Bushing 1	



26K • 52K • 78K Capacity

9" Ride Height

PARTS LISTS



****Alternate configuration of the QUICK-ALIGN fasteners



KEY NO.	PART NO.	DESCRIPTION	VEHICLE *QTY.
1	67706-000	EX Frame Hanger	4
		QUIK-ALIGN Pivot Bushing Service Kit, Includes Key Nos. 2-7, 48	
	60961-720	One Wheel End	
	60632-020	Axle Set	
		QUIK-ALIGN Collar Service Kit, Includes Key Nos. 3-7	
	60632-019	One Wheel End, Replaces 60632-006	
	60632-021	Axle Set	
	60632-018	QUIK-ALIGN Fastener Service Kit, One Wheel End, Includes Key Nos. 5-7, Replaces 60632-005	
2		**QUIK-ALIGN Pivot Bushing	4
3		**QUIK-ALIGN Concentric Collar	4
4		**QUIK-ALIGN Eccentric Collar	4
5		**1"-14 UNF-2A x 7½" H-Coat Hex Bolt	4
6		**1" H-Coat Flat Washer	8
7		**1"-14 UNF-2B H-Coat Locknut	4
8		Top Pad, <i>see Illustration on Page 305</i>	4
	48718-118	U-bolt Service Kit, Axle Set Includes Key Nos. 9a-9b, 10-11	
9		**¾" Square U-bolt	8
	a	11½", Outboard	
	b	12", Inboard	
10		**¾" Flat Washer	16
11		**¾"-16 UNF U-bolt Locknut	16
12		Bottom Cap - Front and Rear <i>See Selection Guide on Page 305</i>	4
13		Axle Spacer - Front and Rear <i>See Selection Guide on Page 305</i>	4
14		U-beam Assembly, Includes Key Nos. 2, 15	2
		• Front	
	67249-014	34.3" Frame Width	
	67249-016	34.5" Frame Width	
	67249-026	34.8" Frame Width	
		• Rear	
	67249-013	34.3" Frame Width	
	67249-015	34.5" Frame Width	
	67249-025	34.8" Frame Width	
	34013-114	Single D-pin Bushing Service Kit, Includes Key Nos. 15-18	
15		**D-pin Bushing	4
	56659-010	D-pin Fastener Service Kit, Axle Set Includes Key Nos. 16-18	
16		**7/8"-14 UNF x 5" Bolt	8
17		**7/8" Flat Washer	16
18		**7/8"-14 UNF Locknut	8
19	68056-002	Air Spring Assembly with Upper Frame Bracket	4

KEY NO.	PART NO.	DESCRIPTION	VEHICLE *QTY.
20		Longitudinal Torque Rod Assembly, Specify Length in mm, <i>contact Hendrickson Truck Parts for specific Part Number,</i>	4
	65302-470A	Left Front	
	65302-470B	Right Front	
	65302-520A	Left Rear	
	65302-520B	Right Rear	
	65302-530A	Left Rear	
	65302-530B	Right Rear	
		Longitudinal Torque Rod Fastener Service Kit, Axle Set, Includes Key Nos. 21-26	
	49176-031	Axle Set, Includes Key Nos. 24-26	
	49176-032		
21		**¾"-16 UNF x 6" Hex Bolt	8
22		**¾" Flat Washer	16
23		**¾"-16 UNF Locknut	8
24		**5/8"-11 UNC-2B x 8" Bolt	8
25		**5/8" Flat Washer	16
26		**5/8"-11 UNC-2A Locknut	8
27	49689-000L	Shim	As Req.
28	72000-XXS	***ULTRA ROD PLUS Transverse Torque Rod Assembly, Includes Bushings, Specify length in mm	2
29	64400-002L	Bushing - Straddle Bar Pin - 5/8" Holes	4
30	22186-000	Transverse Torque Rod Frame Bracket	2
31	60593-000L	Axle Stop, Frame Mounted	4
32	60665-013L	Shock Absorber	4
33	67463-002	Upper Shock Frame Bracket	4
	50754-036	Shock Absorber Fastener Service Kit Axle Set, Includes Key Nos. 34-39	
34		**¾"-10 UNC x 4½" Upper Shock Bolt	4
35		**¾" Flat Washer	As Req.
36		**¾"-10 UNC Locknut	4
37		**5/8"-11 UNC x 7" Lower Shock Bolt	4
38		**5/8" Flat Washer	8
39		**5/8"-11 UNC-2B Locknut	4
40	64508-XXX	S-cam Support Bracket, <i>Locate part number on component</i>	4
	58821-017	S-cam Fastener Service Kit, Axle Set, Includes Key Nos. 41-46	
41		**3/8"-16 UNC x 1¼" Hex Bolt	8
42		**3/8" Hardened Washer	16
43		**3/8"-16 UNC Locknut	8
44		**5/16" S-Cam U-bolt	4
45		**5/16" Hardened Washer	16
46		**5/16"-18 UNC Locknut	8
47	69565-001	U-beam Assembly Enhancement Aftermarket Service Kit, Axle Set, <i>see Page 269 for contents</i>	
48	70867-001	P-80 Lubricant - 10 ml (Not Shown) per Bushing	1

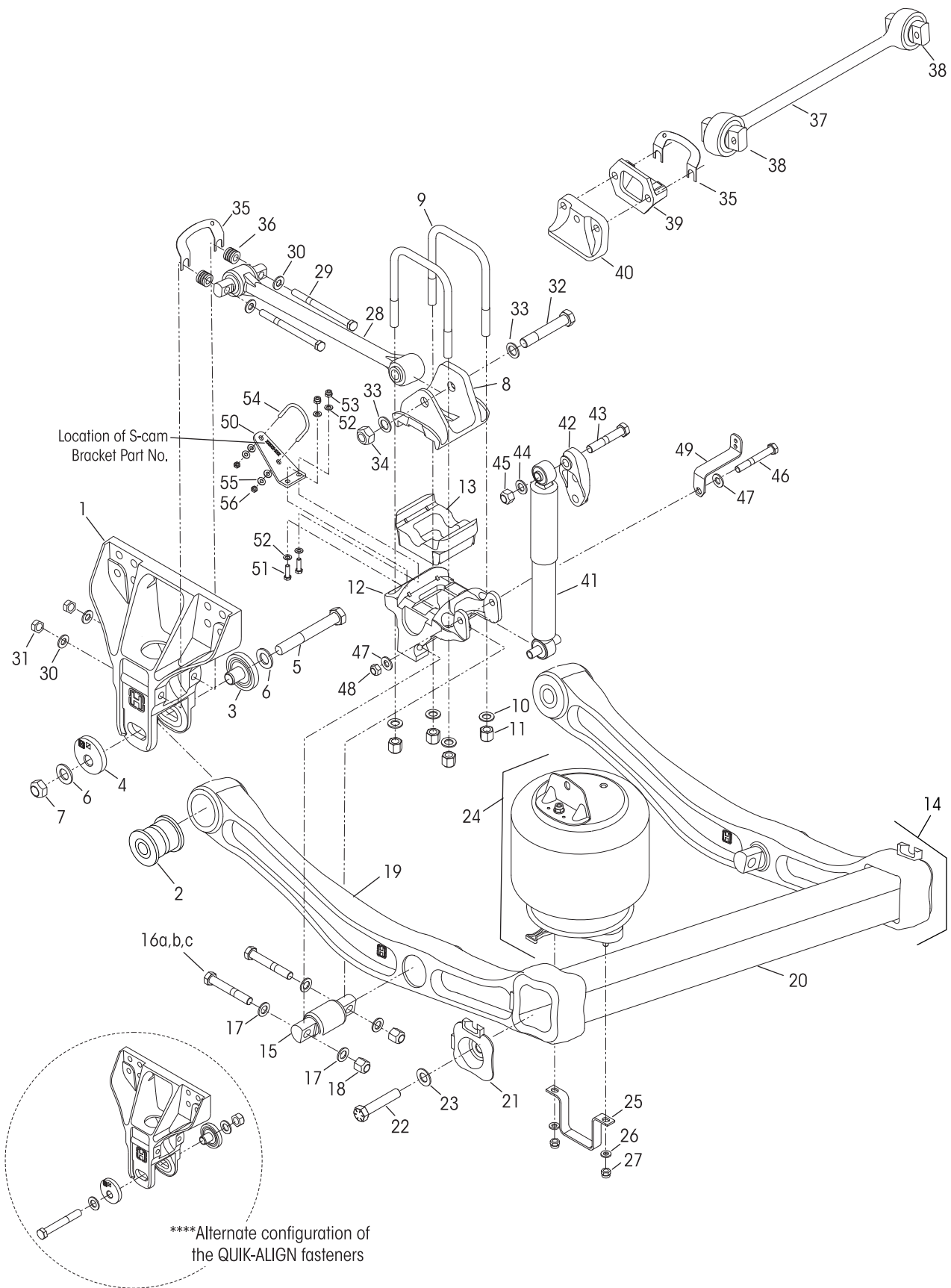
PARTS LISTS



230 • 460 • 690

9" Ride Height

PARTS LISTS





VEHICLE				VEHICLE			
KEY NO.	PART NO.	DESCRIPTION	*QTY.	KEY NO.	PART NO.	DESCRIPTION	*QTY.
1	67706-000	Frame Hanger, <i>Replaces 65891-000</i>	4		60961-062	Single Air Spring Service Kit, Includes Key Nos. 24-27	
	60961-720	QUIK-ALIGN® Pivot Bushing Service Kit, Includes Key Nos. 2-7, 57		24	60271-002L	Air Spring Assembly with Upper Frame Bracket	4
	60632-020	One Wheel End Axle Set		25	60911-002	Lower Air Spring Mounting Bracket	4
	60632-019	QUIK-ALIGN Collar Service Kit, Includes Key Nos. 3-7			49177-006	Single Lower Air Spring Fastener Service Kit, Includes Key Nos. 26-27	
	60632-021	One Wheel End, Replaces 60632-006		26	**1/2" Flat Washer		8
	60632-018	QUIK-ALIGN Pivot Bolt Service Kit, One Wheel End, Includes Key Nos. 5-7, <i>Replaces 60632-005</i>		27	**1/2"-13 UNC Locknut		8
2		**Pivot Bushing	4	28	Longitudinal Torque Rod Assembly <i>See Selection Guide on Page 306</i>		4
3		**Concentric Collar	4		49176-026	Single Longitudinal Torque Rod Fastener Kit, Thru Bolt and Bar Pin Connection, Includes Key Nos. 29-34	
4		**Eccentric Collar	4		58821-012	Rear Thru Bolt Connection Only, Includes Key Nos. 32-34	
5		**1"-14 UNF-2A x 7/2" H-Coat Hex Bolt	4	29	**5/8"-11 UNC-2B x 8" Bolt		8
6		**1" H-Coat Flat Washer	8	30	**3/8" Flat Washer		16
7		**1"-14 UNF-2B H-Coat Locknut	4	31	**5/8"-11 UNC-2A Locknut		8
8	65290-001	Top Pad	4	32	**7/8"-14 UNF-2A x 5 1/2" Hex Bolt		4
	48718-125	U-bolt Service Kit, One Wheel End, Includes Key Nos. 9-11		33	**7/8" H-Coat Flat Washer		8
9		**3/4" Square U-bolt, 10 3/8" Length	8	34	**7/8"-14 UNF-2B Locknut		4
10		**3/4" Flat Washer	16	35	49689-000L	Shim	As Req.
11		**3/4"-16 UNF U-bolt Locknut	16	36	67045-XXX	Torque Rod Spacer, <i>see Selection Guide on Page 307</i>	
12	60556-XXX	Bottom Cap - Front and Rear <i>See Selection Guide on Page 306</i>	4	37	72000-XXXS	**ULTRA ROD® PLUS™ Transverse Torque Rod Assembly, Includes Key No. 38, Specify length in mm	2
13	65139-003	Axle Spacer	4	38	64400-002L	Bushing - Straddle Bar Pin (5/8" Holes)	4
14		U-beam Assembly, Includes Key Nos. 2, 15 <i>(Replaces previous U-beam assembly, support beam and cross tube assembly, see Table 1 below)</i>	2	39	22186-000	Transverse Torque Rod Frame Bracket	2
		Single D-Pin Bushing Service Kit, Includes Key Nos. 15, 16a, 17-18		40	60593-000L	Axle Stop, Frame Mounted	4
	34013-107	Includes Key Nos. 15, 16b, 17-18		41	60657-003L	Shock Absorber	4
	34013-116	Includes Key Nos. 15, 16c, 17-18		42	67463-002	Upper Shock Frame Bracket, <i>Replaces 65000-002</i>	4
	34013-117	Includes Key Nos. 15, 16c, 17-18			50754-030	Single Shock Fastener Service Kit, Includes Key Nos. 43-48	
15		**D-Pin Bushing	4	43	**3/4"-10 UNC x 4 1/4" Upper Shock Bolt		4
		D-Pin Fastener Service Kit, Axle Set, Includes Key Nos. 16a, 17-18		44	**3/4" Flat Washer		4
	56659-009	Includes Key Nos. 16a, 17-18		45	**3/4"-10 UNC Locknut		4
	56659-013	Includes Key Nos. 16b, 17-18		46	**5/8"-11 UNC x 6" Lower Shock Bolt		4
	56659-012	Includes Key Nos. 16c, 17-18		47	**5/8" Flat Washer		8
16		**3/4"-16 UNF Bolt	8	48	**5/8"-11 UNC-2B Locknut		4
a		5" Length		49	60921-000	Height Control Valve Linkage Bracket	2
b		5 1/2" Length		50	64508-XXX	S-cam Support Bracket, <i>Locate part number on component</i>	4
c		4 3/4" Length			58821-017	S-cam Fastener Service Kit, Axle Set, Includes Key Nos. 51-56	
17		**3/4" Flat Washer	16	51	**3/8"-16 UNC x 1 1/4" Hex Bolt		8
18		**3/4"-16 UNF Locknut	8	52	**3/8" Hardened Washer		16
19		Support Beam Assembly (66435-XXX, No longer available, <i>see Table 1 below</i>)		53	**3/8"-16 UNC Locknut		8
20		Cross Tube (60912-XXX, No longer available, <i>see Table 1 below</i>)		54	**5/16" S-cam U-bolt		4
	46772-001	End Cap and Fastener Kit, Axle Set, Includes Key Nos. 21-23		55	**5/16" Hardened Washer		16
21		**End Cap	4	56	**5/16"-18 UNC Locknut		8
22		**7/8"-9 UNC x 3 1/2" Hex Bolt	4	57	70867-001	P-80 Lubricant - 10 ml (Not Shown) per Bushing 1	
23		**7/8" H-Coat Flat Washer	4				

TABLE 1

Support Beam and Cross Tube Replacement Guide

Key Nos. 19, 20	Discontinued May 2010				New		
	Support Beam Assembly Part Number				Cross Tube Part Number	U-beam Assembly Service Kit No.	
	60831-00X • 66435-00X					60961-XXX	
*Frame Width (Inches)	LH Forward	LH Rear	RH Forward	RH Rear	60912-XXX	Forward	Rear
34.3					-003	-261	-262
34.5	-003	-001	-004	-002	-002	-263	-264
34.8					-009	-243	-244

NOTE: ♦ Contact vehicle manufacturer to verify frame width.



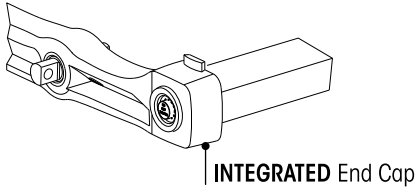
■ Technical Notes

The following information is intended to assist in determining which suspension is equipped on the vehicle. As an example, in Figures 1 and 2, the end cap/frame hanger help identify whether the suspension is current model PRIMAAX EX or the previous production model PRIMAAX.

FIGURE 1

PRIMAAX EX or PRIMAAX

PRIMAAX EX Enhanced U-beam Assembly with Integrated End Cap



PRIMAAX Support Beam with Detachable End Cap | Out of Production March 2009

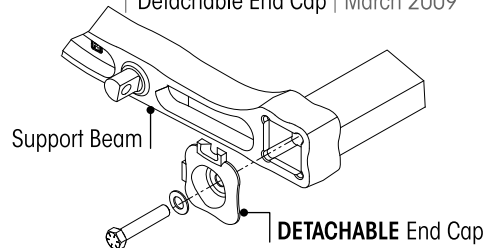
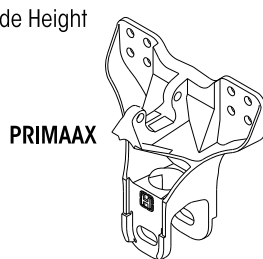
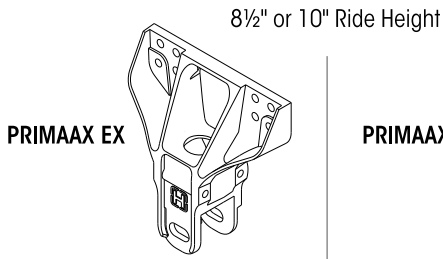


FIGURE 2

RIDE HEIGHT



TALL RIDE HEIGHT

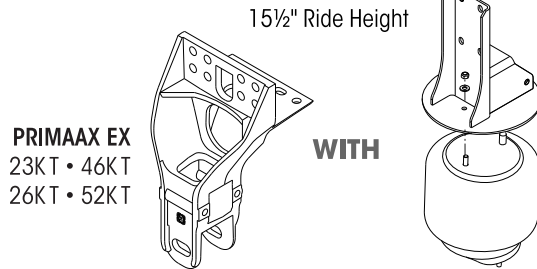
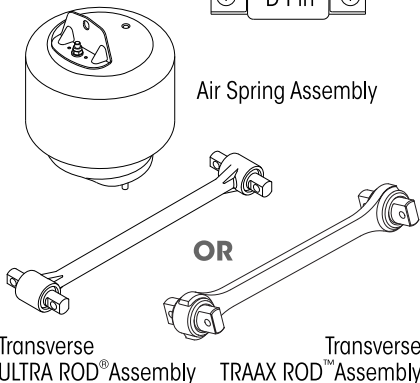
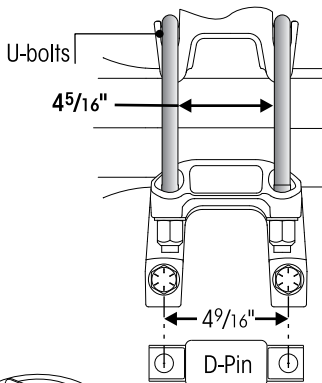


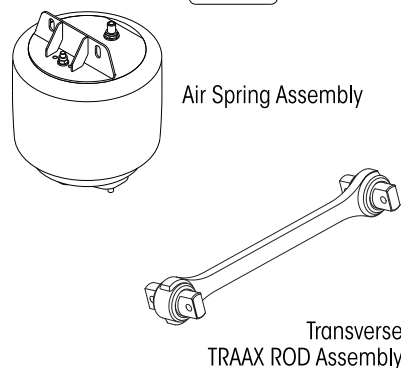
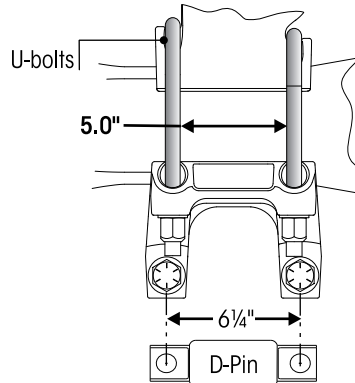
FIGURE 3

SUSPENSION RATING / CAPACITY

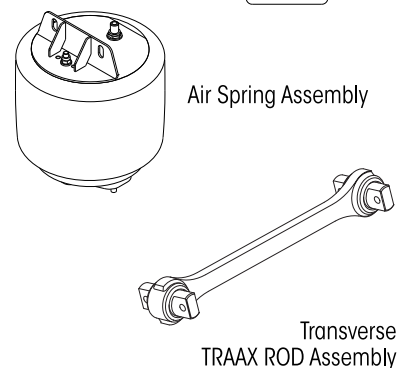
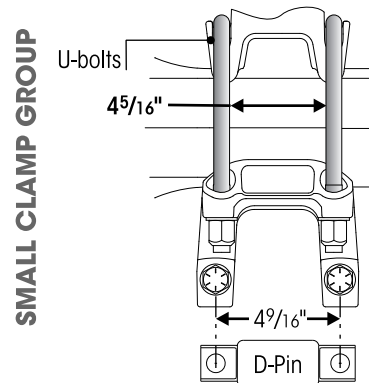
PRIMAAX EX 23K • 46K • 69K
PRIMAAX 230 • 460 • 690
• Distance Between U-bolts — 4⁵/₁₆"



PRIMAAX EX 26K • 52K
PRIMAAX 260 • 520
• Distance Between U-bolts — 5.0"



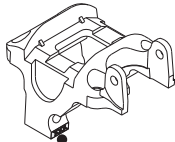
PRIMAAX EX 26K S • 52K S
• Distance Between U-bolts — 4⁵/₁₆"





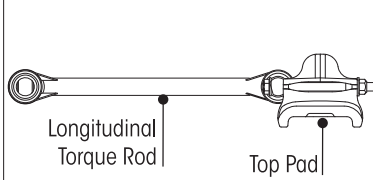
■ Bottom Cap • Longitudinal Torque Rod Assembly • Top Pad • Torque Rod Spacer Selection Guide

Bottom Cap

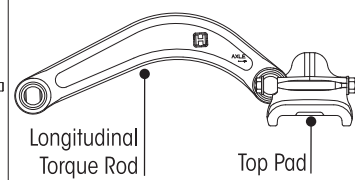


Location of stamped Part No. (last three digits) or see pinion angle chart below

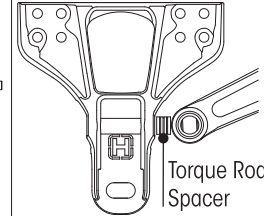
DRUM BRAKE Configuration



DISC BRAKE Configuration



Torque Rod Spacer



PRIMAAX EX 23K • 46K • 69K | 26KS • 52KS

Page 320

PRIMAAX 230 • 460 • 690

Page 326

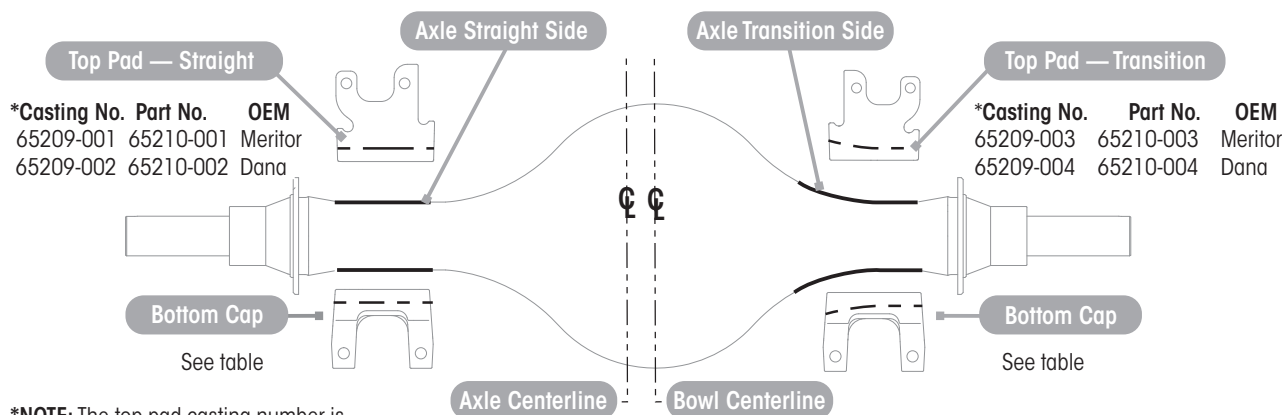
Pinion Angle	Drum Brakes		Air Disc Brakes				Drum Brakes		
	Bottom Cap	*Longitudinal Torque Rod Assembly	Bottom Cap	*Longitudinal Torque Rod Assembly	Top Pad	**Torque Rod Spacer	D-Pin Bolt Length	Bottom Cap	Longitudinal Torque Rod Assembly
Forward Rear									
1.5°	60556-035	67428-425	60556-035	67219-435	65289-003 (LH)	—	—	—	—
2.0°	60556-040		60556-040						
2.5°	60556-025	60556-025	65289-004 (RH)		9 mm	4¾"	60556-025	60827-605A (LH) 60827-605B (RH)	
3.0°	60556-030	60556-030							
3.5°	60556-035	60556-035							
4.0°	60556-040	60556-040							
4.5°	60556-045	67428-435					60556-045		
5.0°	60556-050		60556-050						
5.5°	60556-055		60556-055						
Rear Rear									
6.0°	60556-060	67428-435	60556-025	67219-435	65289-000	15 mm	4¾"	60556-060	60827-605A 60827-605B
6.5°	60556-065		60556-035						
7.0°	60556-040	67428-450	60556-040			5"	60556-110	64717-620A (LH)	
7.5°	60556-045		60556-045						
8.0°	60556-050	67428-460	60556-050			25 mm	4¾"	60556-125	64717-620B (RH)
8.5°	60556-110		60556-110						
9.0°	60556-115	67428-475	60556-115			—	4¾"	60556-130	
9.5°	60556-120		60556-120						
10.0°	60556-100	67428-475	60556-100	—	5"	60556-135	60827-645A (LH) 60827-645B (RH)		
10.5°	60556-105		60556-105						
11.0°	60556-110	67428-475	60556-110	—	5"	60556-100			
11.5°	60556-115		60556-115						
12.0°	60556-120	67428-475	60556-120	—	5½"	60556-105			
12.5°	60556-125		60556-125						
13.0°	60556-130	67428-475	60556-130	—	5"	60556-110			
13.5°	60556-135		60556-135						
14.0°	60556-140	67428-475	60556-140	—	5"	60556-115			
14.5°	60556-145		60556-145						

NOTES: * Torque rod bushings are non-serviceable, replace the complete torque rod assembly that includes bushings.
 ** Not supplied by Hendrickson, used for reference only. Hendrickson is not responsible for components supplied by the vehicle manufacturer. For assistance with maintenance and rebuild instructions on these components see vehicle manufacturer.

PARTS LISTS



■ Bottom Cap and Top Pad Selection Guide



*NOTE: The top pad casting number is located on bottom surface of the top pad.

Page 322	PRIMAAX EX 26K • 52K
Page 328	PRIMAAX 260 • 520

Bottom Cap Part Number							
Beam Centers	Axle Manufacturer	Tandem				Single	
		Straight Side		Transition Side		Straight Side	Transition Side
		Front	Rear	Front	Rear		
40.0"	Meritor	65208-101	65208-103	65208-106	65208-109	65208-101	65208-105
	Dana	65208-102	65208-104	65208-108	65208-111	Contact Hendrickson for Part Nos.	

■ Longitudinal Torque Rod • Top Pad Selection Guide

Page 322	PRIMAAX EX 26K • 52K
----------	----------------------

Pinion Angle	Axle Manufacturer	*Longitudinal Torque Rod Assembly	Top Pad	
			Left	Right
Front Rear				
1.5°		65302-460	65210-001	65210-003
2.0°			65210-002	65210-004
2.5° - 3.0°	Dana Meritor	65302-470	65210-002 65210-001	65210-004 65210-003
3.5°			65210-002	65210-004
4.0°	Dana Meritor	65302-475	65210-002 65210-001	65210-004 65210-003
Rear Rear				
9.0° - 9.5°		65302-510	65210-004	65210-002
10.0°		65302-520	65210-004	65210-002
10.5°	Dana Meritor	65302-515 65302-520	65210-004 65210-003	65210-002 65210-001
11.0°		65302-520	65210-003	65210-001
11.5°	Dana Meritor	65302-525 65302-520 65302-525	65210-004 65210-003 65210-003	65210-002 65210-001 65210-001
12.0°		65302-525	65210-003	65210-001
13.0°		65302-530	65210-003	65210-001

Page 328	PRIMAAX 260 • 520
----------	-------------------

Pinion Angle	Longitudinal Torque Rod Assembly	
	Left	Right
2.0° - 3.5°	66359-650A	66359-650B
4.0° - 5.5°	66359-660A	66359-660B
10.0° - 10.5°	66359-585A	66359-585B
11.0° - 11.5°	66359-590A	66359-590B
12.0° - 12.5°	66359-595A	66359-595B

NOTE: * Torque rod bushings are non-serviceable, replace the complete torque rod assembly.



■ PRIMAAX EX • PRIMAAX Series Severe Service Kits

Severe Service Kit No. 60632-033	QUIK-ALIGN Pivot Bushing Axle Set	Reference Lit. No. 59310-037		KIT NO. 60632-033 PRIMAAX EX • PRIMAAX 8½"-10" Ride Height	<table border="1"> <thead> <tr> <th>KEY NO.</th> <th>CONTENTS</th> <th>Kit QTY.</th> </tr> </thead> <tbody> <tr> <td>1</td> <td>QUIK-ALIGN Concentric Collar</td> <td>2</td> </tr> <tr> <td>2</td> <td>QUIK-ALIGN Eccentric Collar</td> <td>2</td> </tr> <tr> <td>3</td> <td>1¼"-12 UNF x 8" Bolt</td> <td>2</td> </tr> <tr> <td>4</td> <td>1¼" Hardened Washer</td> <td>4</td> </tr> <tr> <td>5</td> <td>1¼"-12 UNF Nylocknut</td> <td>2</td> </tr> <tr> <td>6</td> <td>QUIK-ALIGN Pivot Bushing</td> <td>2</td> </tr> <tr> <td>7</td> <td>P-80 Bushing Lubricant - 10 ml. (per Bushing 1)</td> <td>2</td> </tr> </tbody> </table>	KEY NO.	CONTENTS	Kit QTY.	1	QUIK-ALIGN Concentric Collar	2	2	QUIK-ALIGN Eccentric Collar	2	3	1¼"-12 UNF x 8" Bolt	2	4	1¼" Hardened Washer	4	5	1¼"-12 UNF Nylocknut	2	6	QUIK-ALIGN Pivot Bushing	2	7	P-80 Bushing Lubricant - 10 ml. (per Bushing 1)	2
KEY NO.	CONTENTS	Kit QTY.																											
1	QUIK-ALIGN Concentric Collar	2																											
2	QUIK-ALIGN Eccentric Collar	2																											
3	1¼"-12 UNF x 8" Bolt	2																											
4	1¼" Hardened Washer	4																											
5	1¼"-12 UNF Nylocknut	2																											
6	QUIK-ALIGN Pivot Bushing	2																											
7	P-80 Bushing Lubricant - 10 ml. (per Bushing 1)	2																											
Severe Service Kit No. 60632-015	QUIK-ALIGN Collar Axle Set	Reference Lit. No. 59310-037		KIT NO. 60632-015 PRIMAAX EX • PRIMAAX 8½"-10" Ride Height	<table border="1"> <thead> <tr> <th>KEY NO.</th> <th>CONTENTS</th> <th>Kit QTY.</th> </tr> </thead> <tbody> <tr> <td>1</td> <td>QUIK-ALIGN Concentric Collar</td> <td>2</td> </tr> <tr> <td>2</td> <td>QUIK-ALIGN Eccentric Collar</td> <td>2</td> </tr> <tr> <td>3</td> <td>1¼"-12 UNF x 8" Bolt</td> <td>2</td> </tr> <tr> <td>4</td> <td>1¼" Hardened Washer</td> <td>4</td> </tr> <tr> <td>5</td> <td>1¼"-12 UNF Nylocknut</td> <td>2</td> </tr> </tbody> </table>	KEY NO.	CONTENTS	Kit QTY.	1	QUIK-ALIGN Concentric Collar	2	2	QUIK-ALIGN Eccentric Collar	2	3	1¼"-12 UNF x 8" Bolt	2	4	1¼" Hardened Washer	4	5	1¼"-12 UNF Nylocknut	2						
KEY NO.	CONTENTS	Kit QTY.																											
1	QUIK-ALIGN Concentric Collar	2																											
2	QUIK-ALIGN Eccentric Collar	2																											
3	1¼"-12 UNF x 8" Bolt	2																											
4	1¼" Hardened Washer	4																											
5	1¼"-12 UNF Nylocknut	2																											
Severe Service Kit No. 58821-026	Top Pad Fasteners Axle Set	Reference Lit. No. 59310-036		KIT NO. 58821-026 PRIMAAX 230 • 460 • 690 8½"-10"-12½"-143/8"-15½" Ride Height Does not include Top Pad	<table border="1"> <thead> <tr> <th>KEY NO.</th> <th>CONTENTS</th> <th>Kit QTY.</th> </tr> </thead> <tbody> <tr> <td>1</td> <td>M24 x 3-6G H-Coat Hex Bolt</td> <td>2</td> </tr> <tr> <td>2</td> <td>M24 Hardened Washer</td> <td>4</td> </tr> <tr> <td>3</td> <td>M24 x 3-6H Locknuts</td> <td>2</td> </tr> </tbody> </table>	KEY NO.	CONTENTS	Kit QTY.	1	M24 x 3-6G H-Coat Hex Bolt	2	2	M24 Hardened Washer	4	3	M24 x 3-6H Locknuts	2												
KEY NO.	CONTENTS	Kit QTY.																											
1	M24 x 3-6G H-Coat Hex Bolt	2																											
2	M24 Hardened Washer	4																											
3	M24 x 3-6H Locknuts	2																											

NOTES: * Quantities specified are shown for tandem suspension. Adjust quantities for single or tridem suspensions. Quantities of service kit components may vary from amount shown in lists.

** Item included in kit/assembly only, part not sold separately.

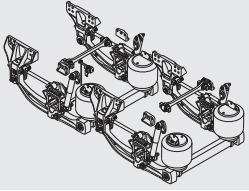
*** Transverse torque rods are equipped with non-serviceable bushings. Transverse torque rods are mandatory for the PRIMAAX EX • PRIMAAX suspensions regardless of axle spacing, see Literature Nos. 59310-004/59310-058 for more information.

**** Alternate configuration of the QUIK-ALIGN fasteners shown in exploded view. The locknuts located inboard will allow additional clearance for wider tires or tires with chains. Tightening is still required ONLY at the locknut.

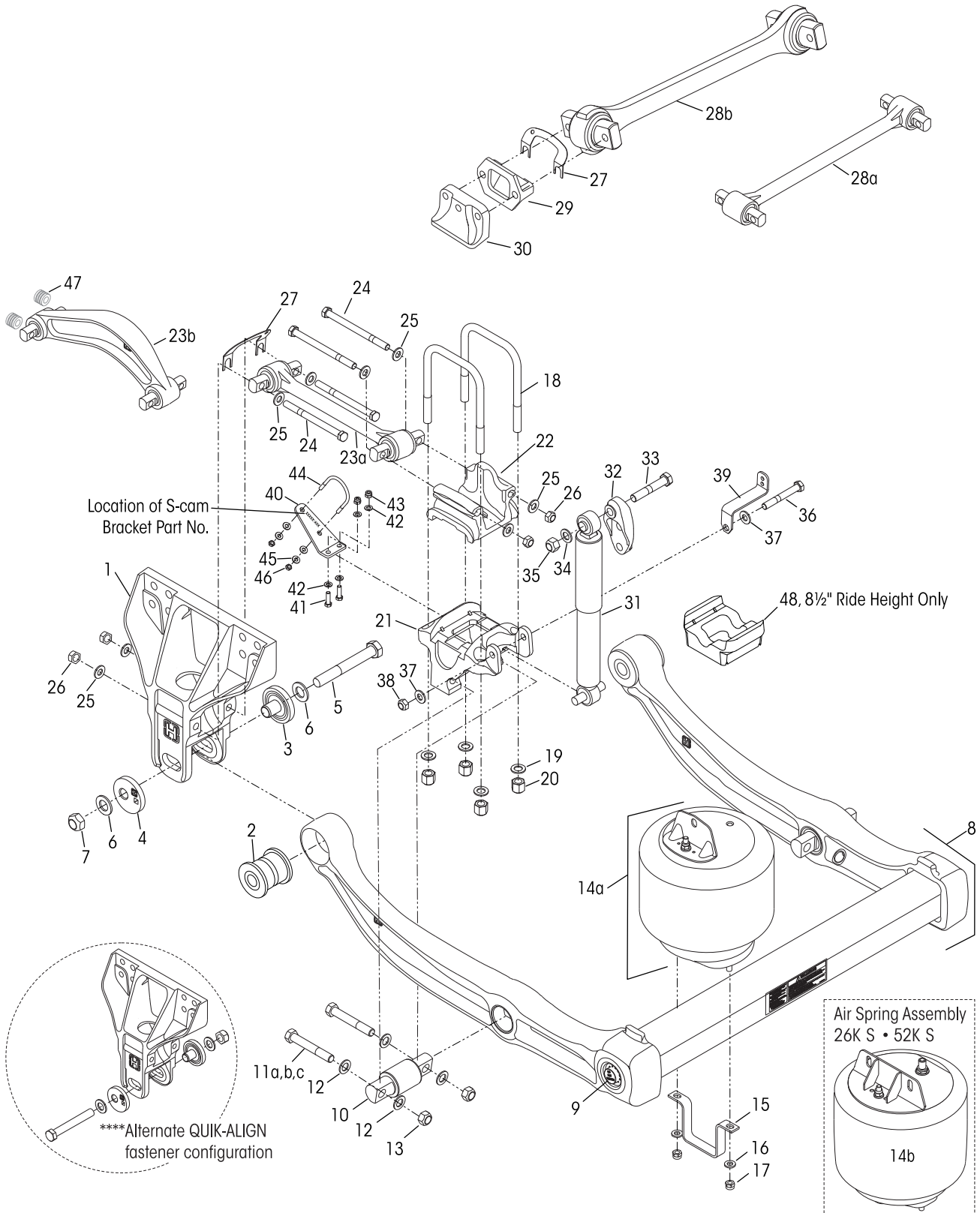


23K • 46K • 69K Capacity
26KS • 52KS Capacity

10" Ride Height
S – designates Small Clamp Group



PARTS LISTS





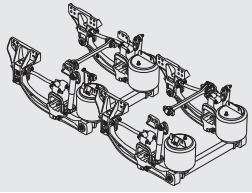
KEY NO.	PART NO.	DESCRIPTION	VEHICLE *QTY.
1	67706-000	EX Frame Hanger	4
		QUIK-ALIGN Pivot Bushing Service Kits, Includes Key Nos. 2-7, 49	
	60961-720	One Wheel End	
	60632-020	Axle Set	
		QUIK-ALIGN Collar Service Kit, Includes Key Nos. 3-7	
	60632-019	One Wheel End	
	60632-021	Axle Set	
	60632-018	QUIK-ALIGN Fastener Service Kit One Wheel End, Includes Key Nos. 5-7	
2		**QUIK-ALIGN Pivot Bushing	4
3		**QUIK-ALIGN Concentric Collar	4
4		**QUIK-ALIGN Eccentric Collar	4
5		**1"-14 UNF-2A x 7½" Hex Bolt	4
6		**1" H-Coat Flat Washer	8
7		**1"-14 UNF-2B Locknut	4
8		U-beam Assembly, Includes Key Nos. 2, 10	
	67249-003	Rear	1
	67249-004	Front, Middle for Tridem	1
9		U-beam Assembly Enhancement Aftermarket Service Kit, see Page 269 for contents	
	69565-001	Axle Set	
	69565-002	One Wheel End	
		Single D-Pin Bushing Service Kit, Includes Key Nos. 10, 11a, 12-13	
	34013-107	Includes Key Nos. 10, 11b, 12-13	
	34013-116	Includes Key Nos. 10, 11c, 12-13	
	34013-117	Includes Key Nos. 10, 11c, 12-13	
10		**D-Pin Bushing	4
		D-Pin Fastener Service Kit, Axle Set Includes Key Nos. 11a, 12-13	
	56659-009	Includes Key Nos. 11b, 12-13	
	56659-013	Includes Key Nos. 11c, 12-13	
	56659-012	Includes Key Nos. 11c, 12-13	
11		**¾"-16 UNF Bolt	8
a		Length 5"	
b		Length 5½"	
c		Length 4¾"	
12		**¾" Flat Washer	16
13		**¾"-16 UNF Locknut	8
		Single Air Spring Service Kit, 23K • 46K • 69K, Includes Key Nos. 14a, 15-17 26KS • 52KS, Includes Key Nos. 14b, 15-17	
14		Air Spring Assembly, Includes Upper Frame Bracket	
a	67043-002L	23K • 46K • 69K	
b	67247-002	26KS • 52KS	
15	60911-002	Lower Air Spring Mounting Bracket	4
	49177-006	Lower Air Spring Fastener Service Kit, Single, Includes Key Nos. 16-17	
16		**½" Flat Washer	8
17		**½"-13 UNC Locknut	8
	48718-129	U-bolt Service Kit, One Wheel End, Includes Key Nos. 18-20	
18		**¾" Square U-bolt - Length 8⅞"	8
19		**¾" Flat Washer	16
20		**¾"-16 UNF U-bolt Locknut	16
21	60556-XXX	Bottom Cap, see Selection Guide on Page 317	4

KEY NO.	PART NO.	DESCRIPTION	VEHICLE *QTY.
22		Top Pad	4
	65289-000	Drum Brakes	
	65289-XXX	Disc Brakes, see Selection Guide on Page 317	
23		Longitudinal Torque Rod Assembly, see Selection Guide on Page 317	4
a	67428-XXX	Drum Brakes	
b	67219-XXX	Disc Brakes	
	49176-032	Longitudinal Torque Rod Fastener Service Kit, One Torque Rod, Includes Key Nos. 24-26	
24		**⅝"-11 UNC-2B x 8" Bolt	16
25		**⅝" Flat Washer	32
26		**⅝"-11 UNC-2A Locknut	16
27	49689-000L	Shim (As Required)	
28		**Transverse Torque Rod Assembly	2
a	62000-565N	ULTRA ROD®, Replaces 67428-565	
b	8240-0000-560	TRAAX ROD™, Replaces 72000-560C	
29	22186-000	Transverse Torque Rod Frame Bracket	2
30	60593-000	Frame Mounted Axle Stop	4
31		Shock Absorber	4
	60657-017L	23K • 46K • 69K Standard, except Tridem, Replaces 60657-003L	
	60657-005L	23K • 46K • 69K Tridem Only	
	70807-001L	23K • 46K • 69K Heavy-duty, Optional, except Tridem	
	60665-011L	26KS • 52KS	
32	67463-002	Upper Shock Frame Bracket	4
		Single Shock Fastener Service Kit 23K • 46K • 69K, Includes Key Nos. 33-35, 36a-38 26KS • 52KS, Includes Key Nos. 33-35, 36b-38	
	50754-030	Includes Key Nos. 33-35, 36a-38	
	50754-029	Includes Key Nos. 33-35, 36b-38	
33		**¾"-10 UNC x 4¼" Upper Shock Bolt	4
34		**¾" Flat Washer	4
35		**¾"-10 UNC Locknut	4
36		**⅝"-11 UNC Lower Shock Bolt	4
a		6.0"	
b		7.0"	
37		**⅝" Flat Washer	8
38		**⅝"-11 UNC-2B Locknut	4
39	60921-000	Height Control Valve Linkage Bracket	1
40	64508-XXX	S-cam Support Bracket, see part number on component	4
	58821-017	S-cam Fastener Service Kit, Axle Set, Includes Key Nos. 41-46	
41		**⅝"-16 UNC x 1¼" Hex Bolt	8
42		**⅝" Hardened Washer	16
43		**⅝"-16 UNC Locknut	8
44		**⅞" S-cam U-bolt	4
45		**⅝" Hardened Washer	16
46		**⅞"-18 UNC Locknut	8
47		Torque Rod Spacer, see Selection Guide on Page 317	4
48	65139-003	Axle Spacer - 8½" Ride Height, PRIMAAX EX 26KS only	4
49	70867-001	P-80 Bushing Lubricant - 10 ml. per Bushing 1 (not shown)	

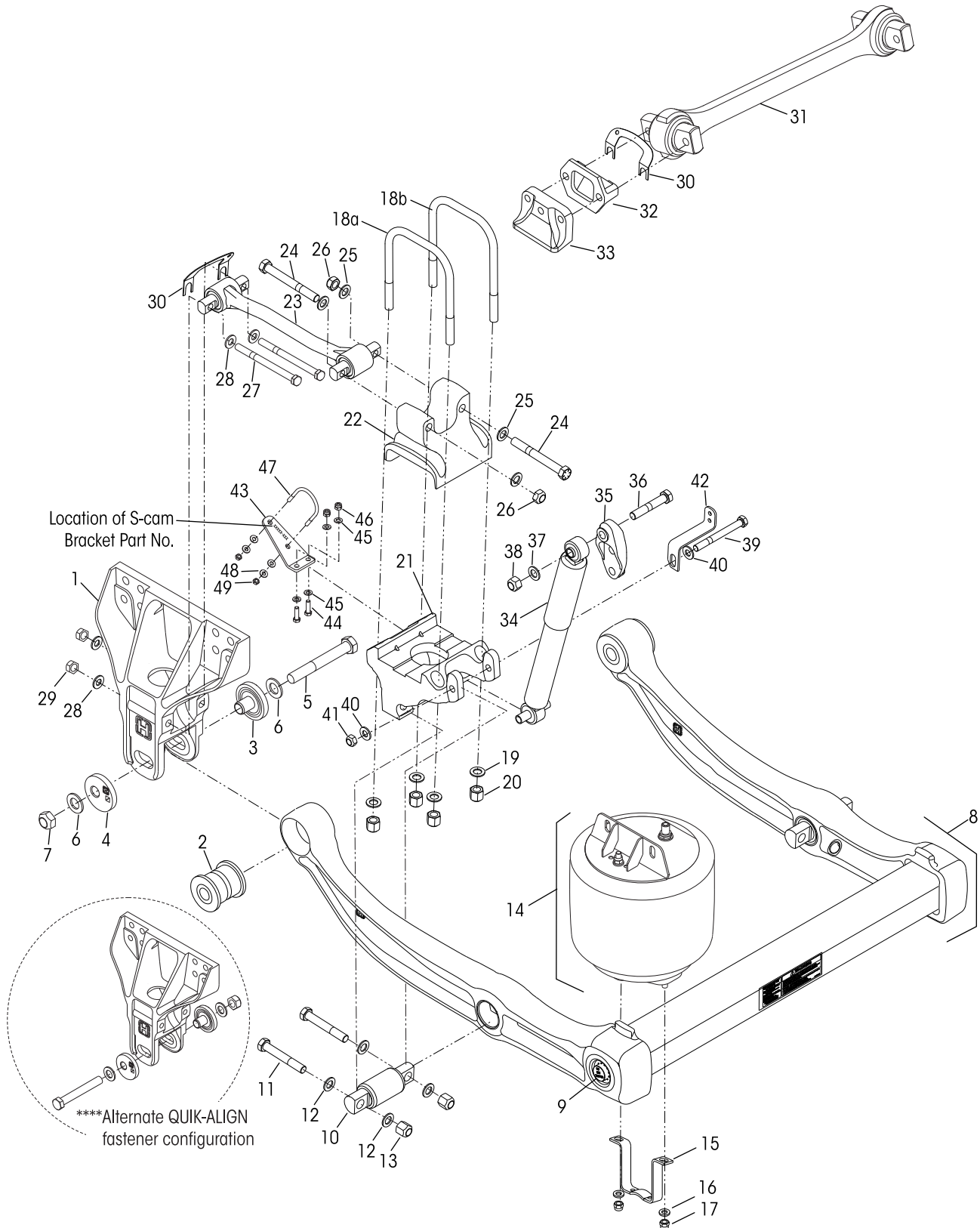


26K • 52K Capacity

10" Ride Height



PARTS LISTS





KEY NO.	PART NO.	DESCRIPTION	VEHICLE *QTY.	KEY NO.	PART NO.	DESCRIPTION	VEHICLE *QTY.
1	67706-000	EX Frame Hanger	4	19		**¾" Flat Washer	16
		QUIK-ALIGN Pivot Bushing Service Kits, Includes Key Nos. 2-7, 50		20		**¾"-16 UNF U-bolt Locknut	16
	60961-720	One Wheel End		21	65208-XXX	Bottom Cap, <i>see Selection Guide on Page 318</i>	4
	60632-020	Axle Set		22	65210-XXX	Top Pad, <i>see illustration and Selection Guide on Page 318</i>	4
	60632-019	QUIK-ALIGN Collar Service Kit, Includes Key Nos. 3-7		23	65302-XXX	Longitudinal Torque Rod Assembly, <i>see Selection Guide on Page 318</i>	4
	60632-021	One Wheel End		24	21867-007	¾"-16 UNF x 6" Hex Bolt	8
	60632-018	QUIK-ALIGN Fastener Service Kit One Wheel End, Includes Key Nos. 5-7		25	22962-001	¾" Flat Washer	16
2		**QUIK-ALIGN Pivot Bushing	4	26	30191-000	¾"-16 UNF Locknut	8
3		**QUIK-ALIGN Concentric Collar	4	27	32043-016	⅝"-1 1/16 UNF x 8" Hex Bolt	8
4		**QUIK-ALIGN Eccentric Collar	4	28	22962-004	⅝" Flat Washer	16
5		**1"-14 UNF-2A x 7½" Hex Bolt	4	29	47764-000	⅝"-1 1/16 UNC Locknut	8
6		**1" H-Coat Flat Washer	8	30	49689-000L	Shim (As Required)	
7		**1"-14 UNF-2B Locknut	4	31	8240-0000-560	**Transverse TRAAX ROD Assembly <i>Replaces 72000-560C</i>	2
8		U-beam Assembly, Includes Key Nos. 2, 10		32	22186-000	Transverse Torque Rod Frame Bracket	2
	67249-006	Front	1	33	60593-000	Frame Mounted Axle Stop	4
	67249-005	Rear	1	34	60665-013L	Shock Absorber	4
9		U-beam Assembly Enhancement Aftermarket Service Kit, <i>see Page 269 for contents</i>		35	67463-002	Upper Shock Frame Bracket	4
	69565-001	Axle Set			50754-029	Single Shock Fastener Service Kit, Includes Key Nos. 36-41	
	69565-002	One Wheel End		36		**¾"-10 UNC x 4¼" Upper Shock Bolt	4
	34013-114	Single D-Pin Bushing Service Kit, Includes Key Nos. 10-13		37		**¾" Flat Washer	4
10		**D-Pin Bushing	4	38		**¾"-10 UNC Locknut	4
	56659-010	D-Pin Fastener Service Kit, Axle Set, Includes Key Nos. 11-13		39		**⅝"-1 1/16 UNC x 7" Lower Shock Bolt	4
11		**⅞"-14 UNF x 5" Bolt	8	40		**⅝" Flat Washer	8
12		**⅞" Flat Washer	16	41		**⅝"-1 1/16 UNC Locknut	4
13		**⅞"-14 UNF Locknut	8	42	60921-000	Height Control Valve Linkage Bracket	2
	60961-744	Single Air Spring Service Kit, Includes Key Nos. 14-17			58821-034	S-cam Fastener Service Kit, Axle Set, Includes Key Nos. 43a, 44-49	
14	67247-002	Air Spring Assembly, Includes Upper Frame Bracket	4		58821-031	Includes Key Nos. 43b, 44-49	
15	60911-002	Lower Air Spring Mounting Bracket	4	43		S-cam Support Bracket, <i>see part number on component</i>	4
	49177-006	Lower Air Spring Fastener Service Kit, Single, Includes Key Nos. 16-17		a	64508-005	For Dana Axle	
16		**½" Flat Washer	8	b	64508-003	For Meritor Axle	
17		**½"-13 UNC Locknut	8	44		**⅜"-16 UNC x 1 ½" Hex Bolt	8
	48718-120	U-bolt Service Kit, One Wheel End, Includes Key Nos. 18a-b, 19-20		45		**⅜" Hardened Washer	16
18		**¾" Square U-bolt	8	46		**⅜"-16 UNC Locknut	8
a		Outboard - Length 10"		47		**⅝"-16" S-cam U-bolt	4
b		Inboard - Length 10½"		48		**⅝"-16" Hardened Washer	16
				49		**⅝"-18 UNC Locknut	8
				50	70867-001	P-80 Bushing Lubricant - 10 ml. (not shown)	per Bushing 1

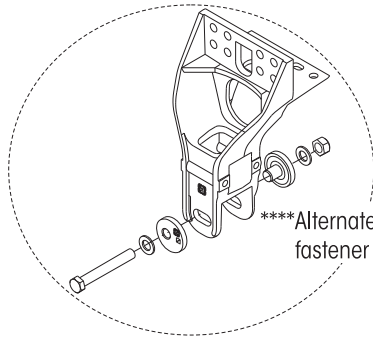
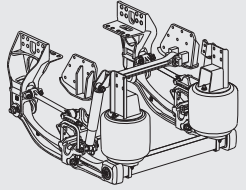


23KT • 26KT Capacity

15½" Ride Height

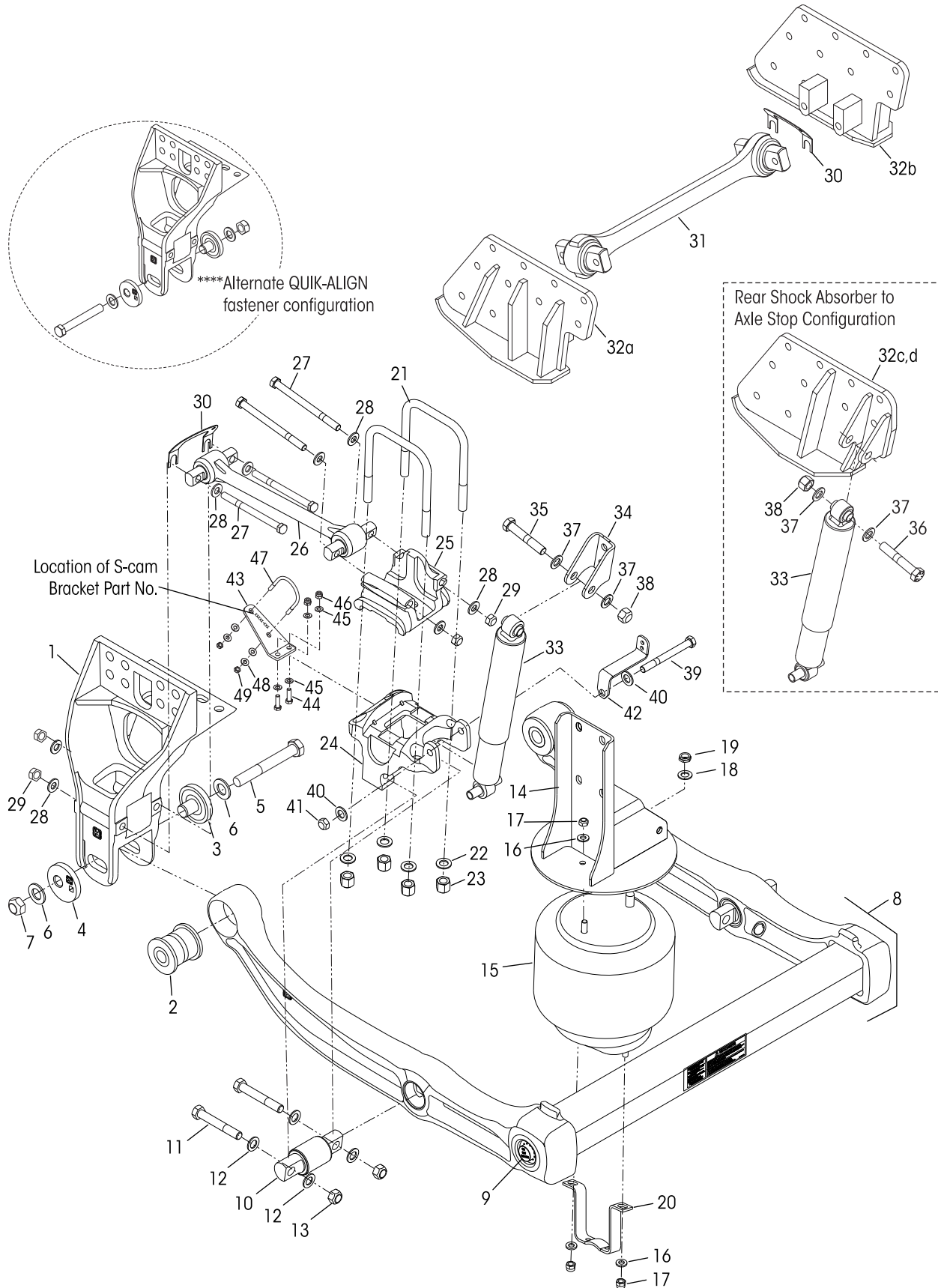
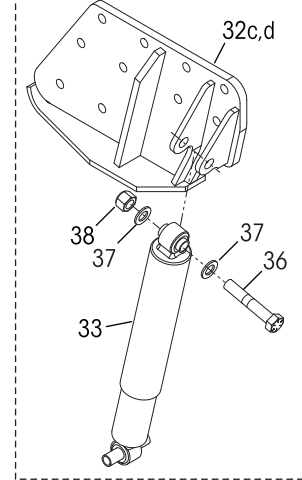
T – designates Tall Ride Height

PARTS LISTS



**** Alternate QUIK-ALIGN fastener configuration

Rear Shock Absorber to Axle Stop Configuration





KEY NO.	PART NO.	DESCRIPTION	VEHICLE *QTY.
1		Frame Hanger	
	67299-001	Left Hand	1
	67299-002	Right Hand	1
		QUIK-ALIGN Pivot Bushing Service Kits, Includes Key Nos. 2-7, 50	
	60961-720	One Wheel End	
	60632-020	Axle Set	
		QUIK-ALIGN Collar Service Kit, Includes Key Nos. 3-7	
	60632-019	One Wheel End	
	60632-021	Axle Set	
	60632-018	QUIK-ALIGN Fastener Service Kit One Wheel End, Includes Key Nos. 5-7	
2		**QUIK-ALIGN Pivot Bushing	4
3		**QUIK-ALIGN Concentric Collar	4
4		**QUIK-ALIGN Eccentric Collar	4
5		**1" - 14 UNF-2A x 7½" Hex Bolt	4
6		**1" H-Coat Flat Washer	8
7		**1" - 14 UNF-2B Locknut	4
8	67249-004	U-beam Assembly, Includes Key Nos. 2, 10	1
9		U-beam Assembly Enhancement Aftermarket Service Kit, <i>see Page 269 for contents</i>	
	69565-001	Axle Set	
	69565-002	One Wheel End	
	34013-117	Single D-Pin Bushing Service Kit, Includes Key Nos. 10-13	
10		**D-Pin Bushing	2
	56659-012	D-Pin Fastener Service Kit, Axle Set, Includes Key Nos. 11-13	
11		**¾" - 16 UNF x 4¾" Bolt	4
12		**¾" Flat Washer	16
13		**¾" - 16 UNF Locknut	8
14		Upper Air Spring Bracket Assembly	2
	69932-002	23K T	
	69932-003	26K T	
		Single Air Spring Assembly Service Kit, Includes Key Nos. 15-20	
	69951-003	23K T	
	69882-003	26K T	
15		Air Spring Assembly	2
	67391-002	23K T	
	67044-002	26K T	
		Air Spring Fastener Service Kits, Single,	
	49177-006	Lower, Includes Key Nos. 16-17	
	49177-023	Upper/Lower, Includes Key Nos. 16-19	
16		**½" Flat Washer	8
17		**½" - 13 UNC Locknut	8
18		**¾" Flat Washer	2
19		**¾" - 16 UNF Locknut	2
20	60911-002	Lower Air Spring Mounting Bracket	2

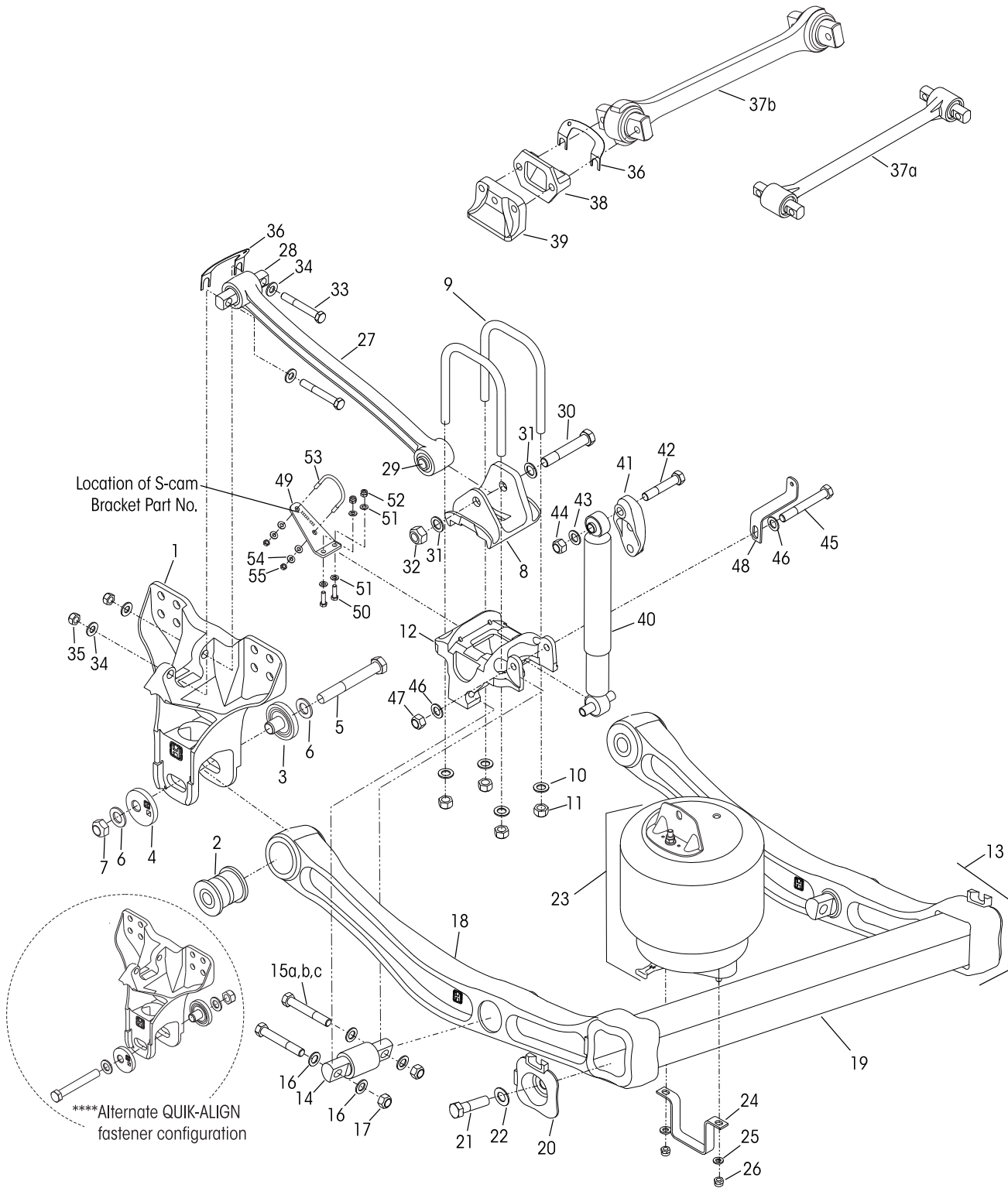
KEY NO.	PART NO.	DESCRIPTION	VEHICLE *QTY.
	48718-129	U-bolt Service Kit, One Wheel End, Includes Key Nos. 21-23	
21		**¾" Square U-bolt - Length 8⅞"	4
22		**¾" Flat Washer	16
23		**¾" - 16 UNF U-bolt Locknut	16
24	60556-025	Bottom Cap	2
25	65289-000	Top Pad	2
26	62011-415N	Longitudinal Torque Rod Assembly	2
	49176-032	Longitudinal Torque Rod Bolt Service Kit, One Torque Rod, Includes Key Nos. 27-29	
27		**⅝" - 11 UNC-2B x 8" Bolt	16
28		**⅝" Flat Washer	32
29		**⅝" - 11 UNC-2A Locknut	16
30	49689-000L	Shim (As Required)	
31	8240-0000-560	**Transverse TRAAX ROD Assembly <i>Replaces 72000-560C</i>	1
32		Axle Stop	
a	70171-000	Left Hand Front	1
b	70172-000	Right Hand Front	1
c	70173-000	Left Hand Rear, Includes Upper Shock Bracket	1
d	70174-000	Right Hand Rear, Includes Upper Shock Bracket	1
33	60665-011L	Shock Absorber	2
34	59423-001	Upper Shock Frame Bracket, Front Axle	2
		Single Shock Fastener Service Kit,	
	34013-327	Front, works with Key No. 32a, 32b, Includes Key Nos. 35, 37-41	
	50754-030	Rear, works with Key Nos. 32c, 32d, Includes Key Nos. 36-41	
35		**¾" - 10 UNC x 3¾" Upper Shock Bolt	2
36		**¾" - 10 UNC x 4¼" Upper Shock Bolt	2
37		**¾" Flat Washer	4
38		**¾" - 10 UNC Locknut	2
39		**⅝" - 11 UNC x 6" Lower Shock Bolt	2
40		**⅝" Flat Washer	4
41		**⅝" - 11 UNC Locknut	2
42	60921-000	Height Control Valve Linkage Bracket	1
43	64508-XXX	S-cam Support Bracket, <i>see part number on</i> <i>component</i>	2
		S-cam Fastener Service Kit, Axle Set, Includes Key Nos. 44-49	
44		**⅝" - 16 UNC x 1¼" Hex Bolt	8
45		**⅝" Hardened Washer	16
46		**⅝" - 16 UNC Locknut	8
47		**⅝" S-cam U-bolt	4
48		**⅝" Hardened Washer	16
49		**⅝" - 18 UNC Locknut	8
50	70867-001	P-80 Bushing Lubricant - 10 ml. per Bushing 1 (not shown)	



230 • 460 • 690
 Built Prior to March 2009

10" Ride Height

PARTS LISTS





KEY NO.	PART NO.	DESCRIPTION	VEHICLE *QTY.
1	60821-001	Frame Hanger	4
		QUIK-ALIGN Pivot Bushing Service Kits, Includes Key Nos. 2-7, 56	
	60961-720	One Wheel End	
	60632-020	Axle Set	
		QUIK-ALIGN Collar Service Kit, Includes Key Nos. 3-7	
	60632-019	One Wheel End	
	60632-021	Axle Set	
	60632-018	QUIK-ALIGN Fastener Service Kit One Wheel End, Includes Key Nos. 5-7	
2		**QUIK-ALIGN Pivot Bushing	4
3		**QUIK-ALIGN Concentric Collar	4
4		**QUIK-ALIGN Eccentric Collar	4
5		**1" -14 UNF-2A x 7½" Hex Bolt	4
6		**1" H-Coat Flat Washer	8
7		**1" -14 UNF-2B Locknut	4
8	60877-001	Top Pad	4
	48718-108	U-bolt Service Kit, One Wheel End, Includes Key Nos. 9-11	
9		**¾" Square U-bolt - Length 8¾"	8
10		**¾" Flat Washer	16
11		**¾"-16 UNF U-bolt Locknut	16
12	60556-XXX	Bottom Cap, <i>see Selection Guide on Page 317</i>	4
13		U-beam Assembly, Includes Key Nos. 2, 14, 18-19 (Replaces previous U-beam assembly, support beam and cross tube assembly, <i>see table below</i>)	
		Single D-pin Bushing Service Kit	
	34013-107	Includes Key Nos. 14, 15a, 16-17	
	34013-116	Includes Key Nos. 14, 15b, 16-17	
	34013-117	Includes Key Nos. 14, 15c, 16-17	
14		**D-Pin Bushing	4
		D-Pin Fastener Service Kit, Axle Set	
	56659-009	Includes Key Nos. 15a, 16-17	
	56659-013	Includes Key Nos. 15b, 16-17	
	56659-012	Includes Key Nos. 15c, 16-17	
15		**¾"-16 UNF Bolt	8
	a	Length 5"	
	b	Length 5½"	
	c	Length 4¾"	
16		**¾" Flat Washer	16
17		**¾"-16 UNF Locknut	8
18		Support Beam Assembly (66435-XXX, No longer available, <i>see table below</i>)	
19		Cross Tube (60912-001, No longer available, <i>see table below</i>)	
	46772-001	End Cap and Fastener Kit, Axle Set, Includes Key Nos. 20-22	
20		**End Cap	4
21		**7/8"-9 UNC x 3½" Hex Bolt	4
22		**7/8" H-Coat Flat Washer	4
	60961-062	Single Air Spring Service Kit, Includes Key Nos. 23-26	

KEY NO.	PART NO.	DESCRIPTION	VEHICLE *QTY.
23	60271-002L	Air Spring Assembly, Includes Upper Frame Bracket	4
24	60911-000	Lower Air Spring Mounting Bracket	4
	49177-006	Lower Air Spring Fastener Service Kit, Single, Includes Key Nos. 25-26	
25		**½" Flat Washer	8
26		**½"-13 UNC Locknut	8
27		Longitudinal Torque Rod Assembly, Includes Key Nos. 28-29, <i>see Selection Guide on Page 317</i>	4
28	69210-000H	Bushing - Straddle Bar Pin - ¾" Holes	4
29	47692-000L	Torque Rod Bushing - Thru Holes	4
		Longitudinal Torque Rod Fastener Kit	
	49176-008	Axle Set, Includes Key Nos. 30-35	
	58821-012	Single, Thru Bolt Connection, Includes Key Nos. 30-32	
30		**7/8"-14 UNF-2A x 5½" Hex Bolt	4
31		**7/8" H-Coat Flat Washer	8
32		**7/8"-14 UNF-2B Locknut	4
33		**¾"-16 UNF-2A x 3¾" Hex Bolt	8
34		**¾" Flat Washer	16
35		**¾"-16 UNF-2B Locknut	8
36	49689-000L	Shim (As Required)	
37		***Transverse Torque Rod Assembly	2
	a 62000-565N	ULTRA ROD, Replaces 62000-565, 67428-565	
	b 8240-0000-560	TRAAX ROD Replaces 72000-560C	
38	22186-000	Transverse Torque Rod Frame Bracket	2
39	60593-000	Frame Mounted Axle Stop	4
40	60657-017L	Shock Absorber <i>Replaces 60657-005, 60657-003</i>	4
41	67463-002	Upper Shock Frame Bracket, <i>Replaces 65000-002</i>	4
	50754-030	Single Shock Fastener Service Kit, Includes Key Nos. 42-47	
42		**¾"-10 UNC x 4¼" Upper Shock Bolt	4
43		**¾" Flat Washer	4
44		**¾"-10 UNC Locknut	4
45		**5/8"-11 UNC x 6" Lower Shock Bolt	4
46		**5/8" Flat Washer	8
47		**5/8"-11 UNC-2B Locknut	4
48	60921-000	Height Control Valve Linkage Bracket	1
49	64508-000	S-cam Support Bracket, <i>see part number on component</i>	4
	58821-017	S-cam Fastener Service Kit, Axle Set, Includes Key Nos. 50-55	
50		**3/8"-16 UNC x 1¼" Hex Bolt	8
51		**3/8" Hardened Washer	16
52		**3/8"-16 UNC Locknut	8
53		**5/16" S-cam U-bolt	4
54		**5/16" Hardened Washer	16
55		**5/16"-18 UNC Locknut	8
56	70867-001	P-80 Bushing Lubricant - 10 ml. per Bushing 1 (not shown)	

Key Nos. 13, 18 & 19		Discontinued		New		
		Support Beam Assembly Part Number 60831-00X • 66435-00X		Cross Tube Part Number	U-Beam Assembly Service Kit Number	
Ride Height	Drive Axle	Left Hand	Right Hand		60912-001	
8.5"-10.0"	Forward	-003	-004	60912-001		60961-235
	Rear	-001	-002		60961-236	

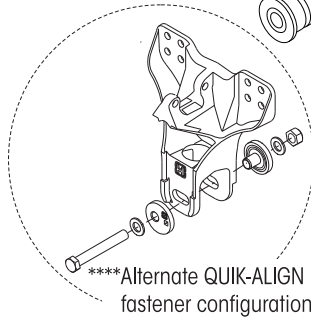
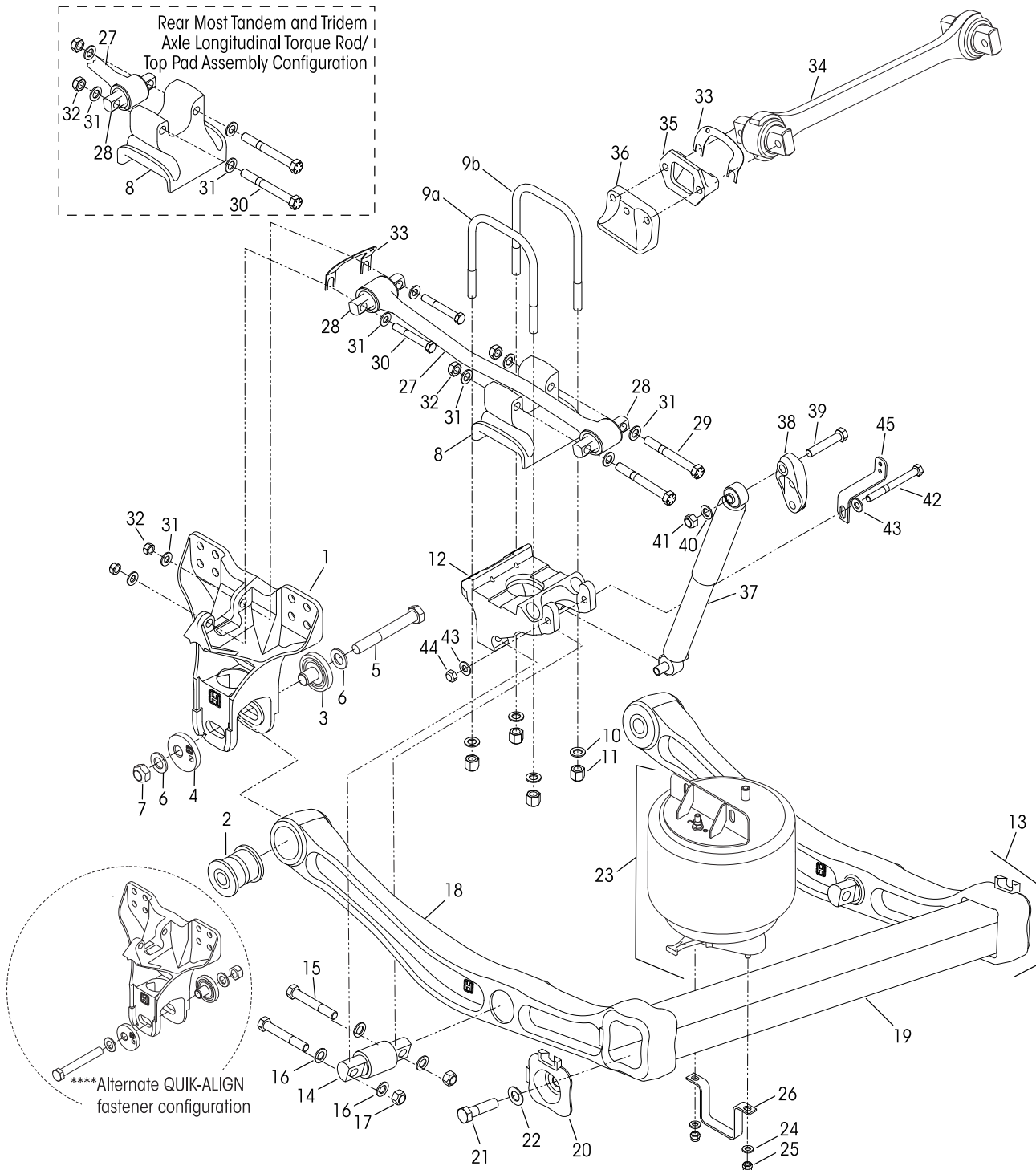
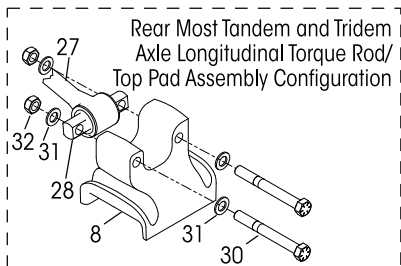


260 • 520

Built Prior to March 2009

10" Ride Height

PARTS LISTS





KEY NO.	PART NO.	DESCRIPTION	VEHICLE *QTY.	KEY NO.	PART NO.	DESCRIPTION	VEHICLE *QTY.
1	60821-001	Frame Hanger	4		46772-001	End Cap and Fastener Kit, Axle Set, Includes Key Nos. 20-22	
	60961-720	QUIK-ALIGN Pivot Bushing Service Kits, Includes Key Nos. 2-7, 46		20		**End Cap	4
	60632-020	One Wheel End Axle Set		21		**7/8"-9 UNC x 3 1/2" Hex Bolt	4
	60632-019	QUIK-ALIGN Collar Service Kit, Includes Key Nos. 3-7		22		**7/8" H-Coat Flat Washer	4
	60632-021	One Wheel End Axle Set		60961-118		Single Air Spring Service Kit, Includes Key Nos. 23-26	
	60632-018	QUIK-ALIGN Fastener Service Kit One Wheel End, Includes Key Nos. 5-7		23	66255-002	Air Spring Assembly, Includes Upper Frame Bracket and Fasteners	4
2		**QUIK-ALIGN Pivot Bushing	4		49177-006	Lower Air Spring Fastener Service Kit, Single, Includes Key Nos. 24-25	
3		**QUIK-ALIGN Concentric Collar	4	24		**1/2" Flat Washer	12
4		**QUIK-ALIGN Eccentric Collar	4	25		**1/2"-13 UNC Locknut	12
5		**1"-14 UNF-2A x 7 1/2" Hex Bolt	4	26	60911-000	Lower Air Spring Mounting Bracket	4
6		**1" H-Coat Flat Washer	8	27	66359-XXX	Longitudinal Torque Rod Assembly, <i>see Selection Guide on Page 318</i>	4
7		**1"-14 UNF-2B Locknut	4	28	69210-000H	Bushing - Straddle Bar Pin (3/4" Holes)	8
8		Top Pad, <i>see Illustration on Page 318</i>	4		49176-017	Torque Rod Fastener Service Kit, Axle Set, Includes Key No. 29-32	
	65210-001	Meritor Straight Side		29		**3/4"-16 UNF x 6" Hex Bolt	8
	65210-002	Dana Straight Side		30		**3/4"-16 UNF x 3 3/4" Hex Bolt	8
	65210-003	Meritor Transition Side		31		**3/4" Flat Washer	32
	65210-004	Dana Transition Side		32		**3/4"-16 UNF Locknut	16
	48718-120	U-bolt Service Kit, One Wheel End, Includes Key Nos. 9a-9b, 10-11		33	49689-000L	Shim (As Required)	
9		**3/4" Square U-bolt	8	34	8240-0000-560	**Transverse TRAAX ROD Assembly <i>Replaces 72000-560C</i>	2
a		Outboard - Length 10"		35	22186-000	Transverse Torque Rod Frame Bracket	2
b		Inboard - Length 10 1/2"		36	60593-000	Frame Mounted Axle Stop	4
10		**3/4" Flat Washer	16	37		Shock Absorber	4
11		**3/4"-16 UNF U-bolt Locknut	16		60665-013L	For vehicles with Drum Brakes only	
12	65208-XXX	Bottom Cap, <i>see Selection Guide on Page 318</i>	4		60665-015L	For vehicles with Disc Brakes only	
13		U-beam Assembly, Includes Key Nos. 2, 14, 18-19 <i>(Replaces previous U-beam assembly, support beam and cross tube assembly, see table below)</i>		38	67463-002	Upper Shock Frame Bracket, <i>Replaces 65000-002</i>	4
	34013-114	Single D-Pin Bushing Service Kit, Includes Key Nos. 14-17			50754-029	Single Shock Fastener Service Kit, Includes Key Nos. 39-44	
14		**D-Pin Bushing	4	39		**3/4"-10 UNC x 4 1/4" Upper Shock Bolt	4
	56659-010	D-Pin Fastener Service Kit, Axle Set, Includes Key Nos. 15-17		40		**3/4" Flat Washer	4
15		**7/8"-14 UNF x 5" Bolt	8	41		**3/4"-10 UNC Locknut	4
16		**7/8" Flat Washer	16	42		**5/8"-11 UNC x 7" Lower Shock Bolt	4
17		**7/8"-14 UNF Locknut	8	43		**5/8" Flat Washer	8
18		Support Beam Assembly (66435-XXX, No longer available, <i>see table below</i>)		44		**5/8"-11 UNC Locknut	4
19		Cross Tube (60912-001, No longer available, <i>see table below</i>)		45	60921-000	Height Control Valve Linkage Bracket	2
				46	70867-001	P-80 Bushing Lubricant - 10 ml. per Bushing 1 (not shown)	

Key Nos. 13, 18 & 19		Discontinued		Cross Tube Part Number	New
		Support Beam Assembly Part Number 60831-00X • 66435-00X			U-Beam Assembly Service Kit Number
Ride Height	Drive Axle	Left Hand	Right Hand		
8.5"-10.0"	Forward	-007	-008	60912-001	60961-253
	Rear	-005	-006		60961-254
	+	-001	-002		60961-718++

NOTES: + PRIMAAX 260 single axle only. Use with Dana S26-190 axle.

++ Upper air spring bracket not included. The original bracket equipped on this vehicle can be used with the new air spring assembly included in the U-beam assembly service kit.



			VEHICLE				VEHICLE
KEY NO.	PART NO.	DESCRIPTION	*QTY.	KEY NO.	PART NO.	DESCRIPTION	*QTY.
1	67222-000	Frame Hanger	4	18		** 3/4"-16 UNF Square U-bolt	8
		QUIK-ALIGN® Pivot Bushing Service Kit,		a		10 3/8" Length - 8 1/2" Ride Height	
	60961-720	Includes Key Nos. 2-7, 41		b		9 7/8" Length - 10" Ride Height	
	60632-020	One Wheel End		19		**3/4" Flat Washer	16
		Axle Set		20		**3/4"-16 UNF U-bolt Locknut	16
		QUIK-ALIGN Collar Service Kit, Includes		21	65139-003	Axle Spacer, 8 1/2" Ride Height Only	4
		Key Nos. 3-7		22	60556-XXX	Bottom Cap, <i>see Table 1 below</i>	4
	60632-019	One Wheel End		Longitudinal Torque Rod Fastener Service Kits,			
	60632-021	Axle Set		One Side,			
	60632-018	QUIK-ALIGN Fastener Service Kit,		58821-012		To Top Pad, Includes Key Nos. 24-26	
		One Wheel End, Includes Key Nos. 5-7		58821-027		To Frame Hanger, Includes Key Nos. 28-30	
2		**QUIK-ALIGN Pivot Bushing	4	23		Top Pad	4
3		**QUIK-ALIGN Concentric Collar	4	60877-001		8 1/2" Ride Height	
4		**QUIK-ALIGN Eccentric Collar	4	65641-000		10" Ride Height	
5		**1"-14 UNF x 7 1/2" Hex Bolt	4	24		**7/8"-14 UNF-2A x 5 1/2" Hex Bolt	4
6		**1" Flat Washer	8	25		**7/8" Flat Washer	8
7		**1"-14 UNF Locknut	4	26		**7/8"-14 UNF-2B Locknut	4
8		U-beam Assembly, Includes Key Nos. 2, 9-10		27	67274-XXX	Longitudinal Torque Rod, <i>Replaces 64981-XXX</i>	4
	67249-003	Rear	1	<i>See Table 1 below</i>			
	67249-004	Front	1	28		**5/8"-11 UNC x 8" Hex Bolt <i>or</i> ***M16 x 2-6G Bolt	8
9	69565-001	U-beam Assembly Enhancement Aftermarket		29		**5/8" Flat Washer <i>or</i> ***M16 Washer	16
		Service Kit, Axle Set, <i>see Page 269 for contents</i>		30		**5/8"-11 UNC Locknut <i>or</i> ***M16 x 2-6H Locknut	8
		D-pin Bushing Service Kits, <i>see Table 1 below</i>		31	70240-001	Torque Rod Shim, 3.0 mm	As Req.
10		**D-pin Bushing	4	70240-002		Torque Rod Shim, 1.5 mm	
11		**3/4"-16 UNF Bolt, <i>see Table 1 below</i>	8	32		Shock Absorber	4
12		**3/4" Flat Washer	16	60657-007L		8 1/2" Ride Height	
13		**3/4"-16 UNF Locknut	8	60657-003L		10" Ride Height	
		Air Spring Service Kits		50754-030		Single Shock Absorber Fastener Service Kit,	
	60961-230	One Wheel End, Includes Key Nos. 14-17		Includes Key Nos. 33-38			
	49177-006	Single, Fasteners Only, Includes Key Nos. 16-17		33		**3/4"-10 UNC x 4 1/4" Upper Shock Bolt	4
14	67043-002	Air Spring Assembly	4	34		**3/4" Flat Washer	4
15	60911-002	Lower Air Spring Mounting Bracket	4	35		**3/4"-10 UNC Locknut	4
16		**1/2" Flat Washer	8	36		**5/8"-11 UNC X 6" Lower Shock Bolt	4
17		**1/2"-13 UNC Locknut	8	37		**5/8" Flat Washer	8
		U-bolt Service Kit, One Wheel End		38		**5/8"-11 UNC Locknut	4
	48718-125	8 1/2" Ride Height, Includes Key Nos. 18a, 19-20		39	67463-006	Upper Shock Frame Bracket	4
	48718-126	10" Ride Height, Includes Key Nos. 18b, 19-20		40		***Transverse Torque Rod Assembly	2
				41	70867-001	P-80 Lubricant - 10 ml (Not Shown)	Per Bushing 1
				Not Shown			
						***Height Control Valve and Linkage Assembly	1

PARTS LISTS

NOTES: * Quantities specified are shown for tandem suspension. Adjust quantities for single or tridem suspensions. Quantities of service kit components may vary from amount shown in lists.

** Item included in kit/assembly only, part not sold separately.

*** Item required, component supplied by vehicle manufacturer. Hendrickson is not responsible for components not supplied by Hendrickson, for assistance with maintenance and rebuild instructions on these components see vehicle manufacturer.

TABLE 1

		Part Number					
	*Pinion Angle		D-pin Bolt Length Key No. 11	D-pin Bushing Service Kit No. Includes Key Nos. 10-13	D-pin Fasteners Service Kit No. Includes Key Nos. 11-13	Bottom Cap Key No. 22	**Longitudinal Torque Rod Key No. 27
	Ride Height						
	8 1/2"	10"					
FRONT	2.9°	2.9°	4 3/4"	34013-117	56659-012	60556-025	67274-530
	6.0°	6.1°	5 1/4"	34013-201	56659-014	60556-060	
	7.9°	8.2°	5"	34013-107	56659-009	60556-120	67274-550
REAR	10.3°	9.8°	4 3/4"	34013-117	56659-012	60556-100	67274-575
	10.7°	10.2°				60556-105	
	11.2°	10.7°				60556-110	
	11.6°	11.2°	60556-115				
	12.1°	11.6°	5"	34013-107	56659-009	60556-120	
	13.0°	12.6°	5 1/4"	34013-201	56659-014	60556-130	
13.4°	13.1°	60556-135					

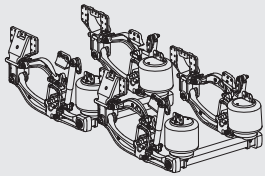
NOTES: † Measured with QUIK-ALIGN pinion set at neutral position (12 O'Clock)

♦♦ Torque rod bushings are non-serviceable, replacement requires complete torque rod assembly with bushings.

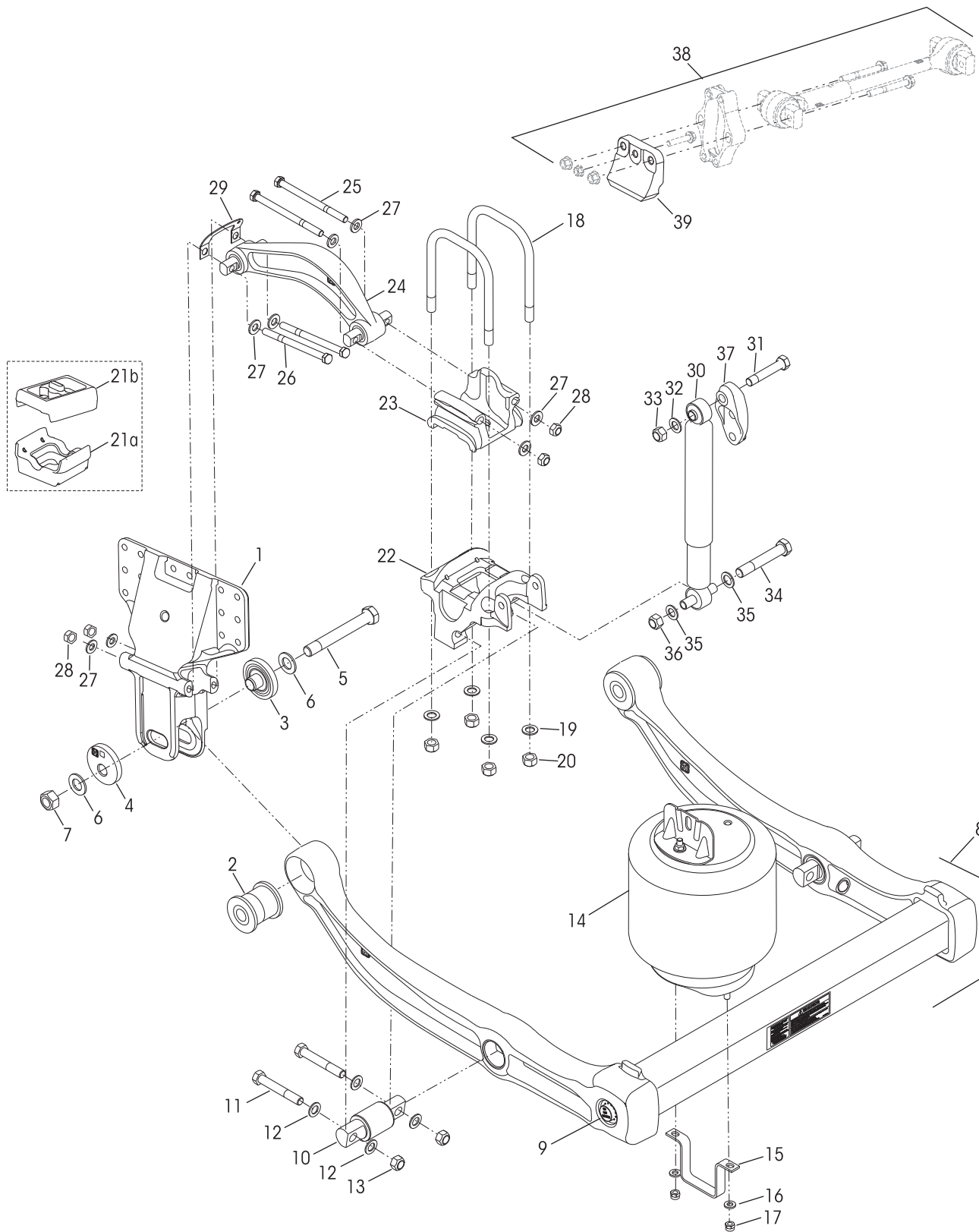


23K • 46K • 69K Capacity

8½" – 10" Ride Height
Equipped with Air Disc Brakes



PARTS LISTS





VEHICLE				VEHICLE			
KEY NO.	PART NO.	DESCRIPTION	*QTY.	KEY NO.	PART NO.	DESCRIPTION	*QTY.
1	67222-002	Frame Hanger	4	18		** 3/4"-16 UNF Square U-bolt	8
		QUIK-ALIGN Pivot Bushing Service Kit,		a		10 3/8" - 8 1/2" Ride Height	
	60961-720	Includes Key Nos. 2-7, 40		b		9 7/8" - 10" Ride Height	
	60632-020	One Wheel End		19		**3/4" Flat Washer	16
		Axle Set		20		**3/4"-16 UNF U-bolt Locknut	16
		QUIK-ALIGN Collar Service Kit, Includes Key Nos. 3-7		21		Axle Spacer	4
	60632-019	One Wheel End		a	65139-003	8 1/2" Ride Height, Lower	
	60632-021	Axle Set		b	76960-001	10" Ride Height, Upper	
	60632-018	QUIK-ALIGN Fastener Service Kit,		22	60556-XXX	Bottom Cap, <i>see Table 1 below</i>	4
		One Wheel End, Includes Key Nos. 5-7		23	76961-000	Top Pad	4
2		**QUIK-ALIGN Pivot Bushing	4	24		Longitudinal Torque Rod, <i>see Table 1 below</i>	4
3		**QUIK-ALIGN Concentric Collar	4	Longitudinal Torque Rod Fastener Service Kits,			
4		**QUIK-ALIGN Eccentric Collar	4	One Side,			
5		**1" -14 UNF x 7 1/2" Hex Bolt	4	49176-060		To Top Pad, Includes Key Nos.25, 27-28	
6		**1" Flat Washer	8	49176-050		To Frame Hanger, Includes Key Nos.26-28	
7		**1" -14 UNF Locknut	4	25		**5/8"-11 UNC x 5 1/2" Hex Bolt	8
8		U-beam Assembly, Includes Key Nos. 2, 9-10		26		**5/8"-11 UNC x 10 1/2" Hex Bolt	8
	67249-003	Rear	1			***M16 x 2-6G Bolt	
	67249-004	Front	1	27		**5/8" Flat Washer	32
9	69565-001	U-beam Assembly Enhancement Aftermarket				***M16 Washer	
		Service Kit, Axle Set, <i>see Page 269 for contents</i>		28		**5/8"-11 UNC Locknut	16
		D-pin Bushing Service Kits, <i>see Table 1 below</i>				***M16 x 2-6H Locknut	
10		**D-pin Bushing	4	29	70240-001	Torque Rod Shim, 3.0 mm, <i>see Table 1 below</i>	
11		**3/4"-16 UNF Bolt, <i>see Table 1 below</i>	8		70240-002	Torque Rod Shim, 1.5 mm	
12		**3/4" Flat Washer	16	30	60657-007L	Shock Absorber	4
13		**3/4"-16 UNF Locknut	8		50754-030	Single Shock Absorber Fastener Service Kit,	
		Air Spring Service Kits				Includes Key Nos. 31-36	
	60961-230	One Wheel End, Includes Key Nos. 14-17		31		**3/4"-10 UNC x 4 1/4" Upper Shock Bolt	4
	49177-006	Single, Fasteners Only, Includes Key Nos. 16-17		32		**3/4" Flat Washer	4
14	67043-002	Air Spring Assembly	4	33		**3/4"-10 UNC Locknut	4
15	60911-002	Lower Air Spring Mounting Bracket	4	34		**5/8"-11 UNC X 6" Lower Shock Bolt	4
16		**1/2" Flat Washer	8	35		**5/8" Flat Washer	8
17		**1/2"-13 UNC Locknut	8	36		**5/8"-11 UNC Locknut	4
		U-bolt Service Kit, One Wheel End		37	67463-006	Upper Shock Frame Bracket	4
	48718-130	8 1/2" Ride Height, Includes Key Nos. 18a, 19-20		38		***Transverse Torque Rod Assembly	2
	48718-178	10" Ride Height, Includes Key Nos. 18b, 19-20		39	77207-001	Axle Stop	4
				40	70867-001	P-80 Lubricant - 10 ml (Not Shown) Per Bushing	1
					Not Shown	***Height Control Valve and Linkage Assembly	1

NOTES: * Quantities specified are shown for tandem suspension. Adjust quantities for single or tridem suspensions. Quantities of service kit components may vary from amount shown in lists.

** Item included in kit/assembly only, part not sold separately.

*** Item required, component supplied by vehicle manufacturer. Hendrickson is not responsible for components not supplied by Hendrickson, for assistance with maintenance and rebuild instructions on these components see vehicle manufacturer.

TABLE 1

*Pinion Angle	Brake Clacking		D-pin Bolt Length Key No. 11	D-pin Bushing Service Kit No. Includes Key Nos. 10-13	D-pin Fasteners Service Kit No. Includes Key Nos. 11-13	Bottom Cap Key No. 22	**Longitudinal Torque Rod Key No. 24	Torque Rod Shims Key No. 29				
	Ride Height							Ride Height				
	8 1/2"	10"						8 1/2"	10"			
1.5°	92°	84°	4 3/4"	34013-117	56659-012	60556-025	67219-435	3 mm	3 mm			
2.5°						60556-035						
4°			5"	34013-107	56659-009	60556-050		77128-435	4 mm	4 mm		
6°						60556-845						
7°			6"	34013-200	56659-024	60556-855		68801-205	6 mm	6 mm		
9°						60556-805						
9.5°			4 3/4"	34013-117	56659-012	60556-810			4 mm	5 mm		
10°						60556-820						
10.5°			95°	90°	5"	34013-107			56659-009	60556-825	5 mm	3 mm
11°										60556-830		
11.5°	5 1/4"	34013-201			56659-014	60556-835	6 mm		4 mm			
12°						60556-840						
12.5°	5 1/2"	34013-116			56659-013	60556-845						

NOTES: ♦ Measured with QUIK-ALIGN pinion set at neutral position (12 O'Clock)

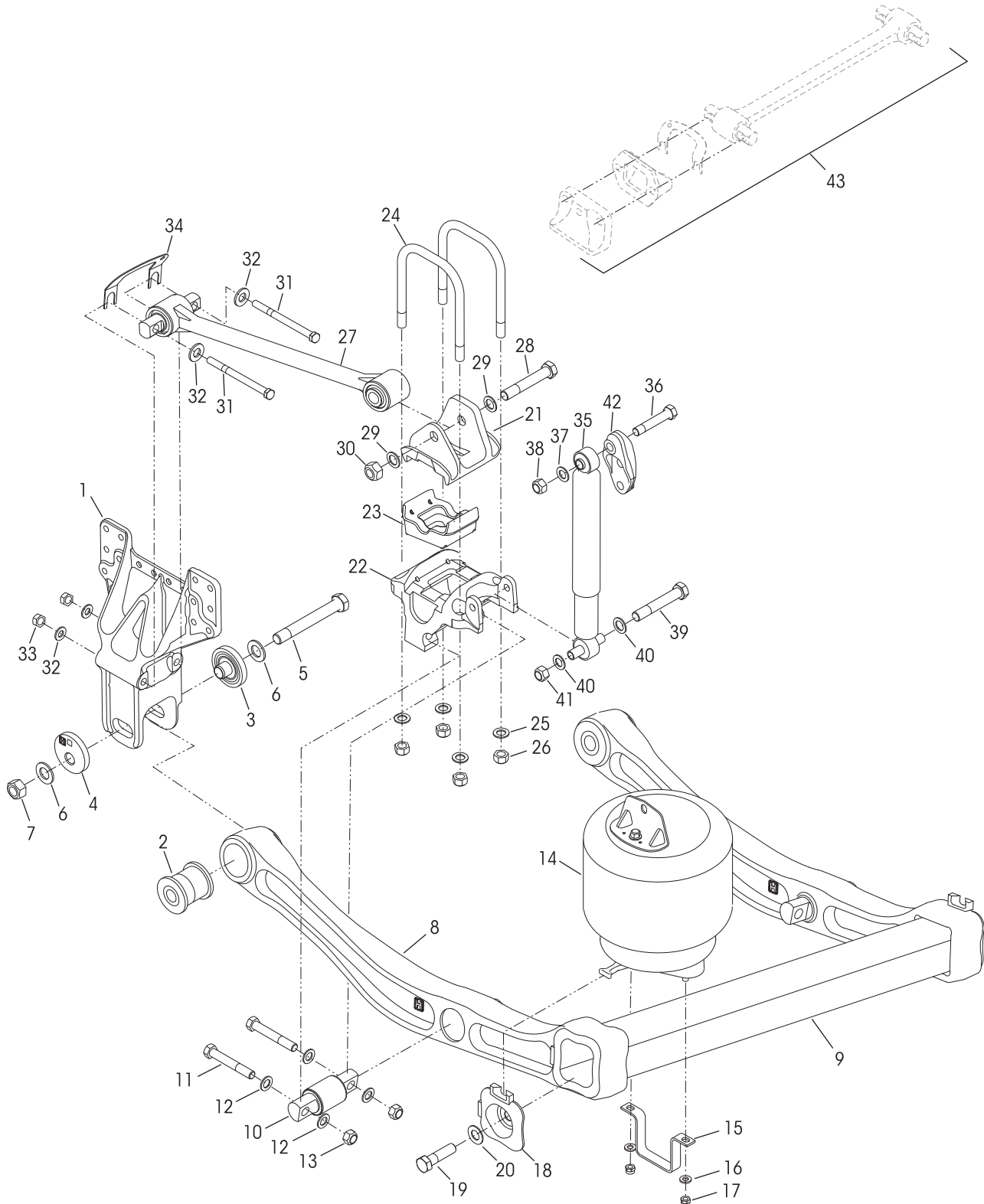
♦♦ Torque rod bushings are non-serviceable, replacement requires complete torque rod assembly with bushings.



23K • 46K • 69K Capacity

8½" – 10" Ride Height
Equipped with Drum Brakes

PARTS LISTS





VEHICLE				VEHICLE			
KEY NO.	PART NO.	DESCRIPTION	*QTY.	KEY NO.	PART NO.	DESCRIPTION	*QTY.
1	65702-001	Frame Hanger	4	20		**7/8" Flat Washer	4
		QUIK-ALIGN Pivot Bushing Service Kit, Includes Key Nos. 2-7, 44		21	60877-001	Top Pad	4
	60961-720	One Wheel End		22	60556-XXX	Bottom Cap, <i>see Selection Guide on Page 331</i>	4
	60632-020	Axle Set		23	65139-003	Axle Spacer	4
		QUIK-ALIGN Collar Service Kit, Includes Key Nos. 3-7			48718-125	U-bolt Service Kit, One Wheel End, Includes Key Nos. 24-26	
	60632-019	One Wheel End		24		**3/4"-16 UNF x 10 3/8"	8
	60632-021	Axle Set		25		**3/4" Flat Washer	16
	60632-018	QUIK-ALIGN Fastener Service Kit, One Wheel End, Includes Key Nos. 5-7		26		**3/4"-16 UNF Locknut	16
2		**QUIK-ALIGN Pivot Bushing	4	27	67274-XXX	Longitudinal Torque Rod, <i>Replaces 64981-XXX</i> <i>See Selection Guide on Page 331</i>	4
3		**QUIK-ALIGN Concentric Collar	4			Longitudinal Rod Fastener Service Kits, One Side, To Top Pad, Includes Key Nos. 28-30	
4		**QUIK-ALIGN Eccentric Collar	4		58821-012	To Frame Hanger, Includes Key Nos. 31-33	
5		**1"-14 UNF x 7 1/2" Hex Bolt	4		58821-027	To Frame Hanger, Includes Key Nos. 31-33	
6		**1" Flat Washer	8	28		**7/8"-14 UNF-2A x 5 1/2" Hex Bolt	4
7		**1"-14 UNF Locknut	4	29		**7/8" Flat Washer	8
8		****Support Beam Assembly, 60831-XXX <i>See Table 1 below</i>		30		**7/8"-14 UNF-2B Locknut	4
9		****Cross Tube, 60912-005, <i>see Table 1 below</i>		31		**5/8"-11 UNC x 8" Hex Bolt	8
	34013-107	Single D-pin Service Kit, Includes Key Nos. 10-13				***M16 x 2-6G Bolt	
10		**D-pin Bushing	4	32		**5/8" Flat Washer	16
	56659-009	D-pin Fastener Service Kit, Axle Set, Includes Key Nos. 11-13				***M16 Washer	
11		**3/4"-16 UNF x 5" Bolt	8	33		**5/8"-11 UNC Locknut	8
12		**3/4" Flat Washer	16			***M16 x 2-6H Locknut	
13		**3/4"-16 UNF Locknut	8	34		Torque Rod Shim	As Req.
	60961-062	Air Spring Assembly Service Kit, One Wheel End, Includes Key Nos. 14-17			70240-001	3.0 mm	
14	60271-002	Air Spring Assembly	4		70240-002	1.5 mm	
15	60911-000	Lower Air Spring Mounting Bracket	4	35	60657-007L	Shock Absorber	4
	49177-006	Single Lower Air Spring Fastener Service Kit, Includes Key Nos. 16-17			50754-030	Single Shock Absorber Fastener Service Kit, Includes Key Nos. 36-41	
16		**1/2" Flat Washer	8	36		**3/4"-10 UNC x 4 1/4" Upper Shock Bolt	4
17		**1/2"-13 UNC Locknut	8	37		**3/4" Flat Washer	4
	46772-001	End Cap and Fastener Kit, Axle Set, Includes Key Nos. 18-20		38		**3/4"-10 UNC Locknut	4
18		**End Cap	4	39		**5/8"-11 UNC X 6" Lower Shock Bolt	4
19		**7/8"-9 UNC x 3 1/2" Hex Bolt	4	40		**5/8" Flat Washer	8
				41		**5/8"-11 UNC-2B Locknut	4
				42	67463-006	Upper Shock Frame Bracket, <i>Replaces 65000-006</i>	4
				43		***Transverse Torque Rod Assembly	2
				44	70867-001	P-80 Lubricant - 10 ml (Not Shown)	Per Bushing 1
					Not Shown	***Height Control Valve and Linkage Assembly	1

NOTES: * Quantities specified are shown for tandem suspension. Adjust quantities for single or tridem suspensions. Quantities of service kit components may vary from amount shown in lists.

** Item included in kit/assembly only, part not sold separately.

*** Item required, component supplied by vehicle manufacturer. Hendrickson is not responsible for components not supplied by Hendrickson, for assistance with maintenance and rebuild instructions on these components see vehicle manufacturer.

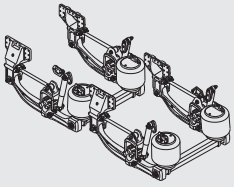
**** No longer available for service, see Replacement Guide below. For more information, refer to Hendrickson Technical Bulletin Literature No. SEU-0229 or contact Hendrickson Tech Services.

TABLE 1	Discontinued			New	Comments
Drive Axle	Support Beam Assembly Part Number		Cross Tube Part Number	U-beam Assembly Replacement Kit No.	Each U-beam assembly replacement kit is intended to service the associated suspension parts on one axle. It includes two new support beam assemblies, one cross tube, two air spring assemblies, air spring fasteners, QUIK-ALIGN fasteners and D-pin fasteners.
	Left Hand	Right Hand			
Forward	60831-003	60831-004	60912-005	60961-237	
Rear	60831-001	60831-002		60961-238	

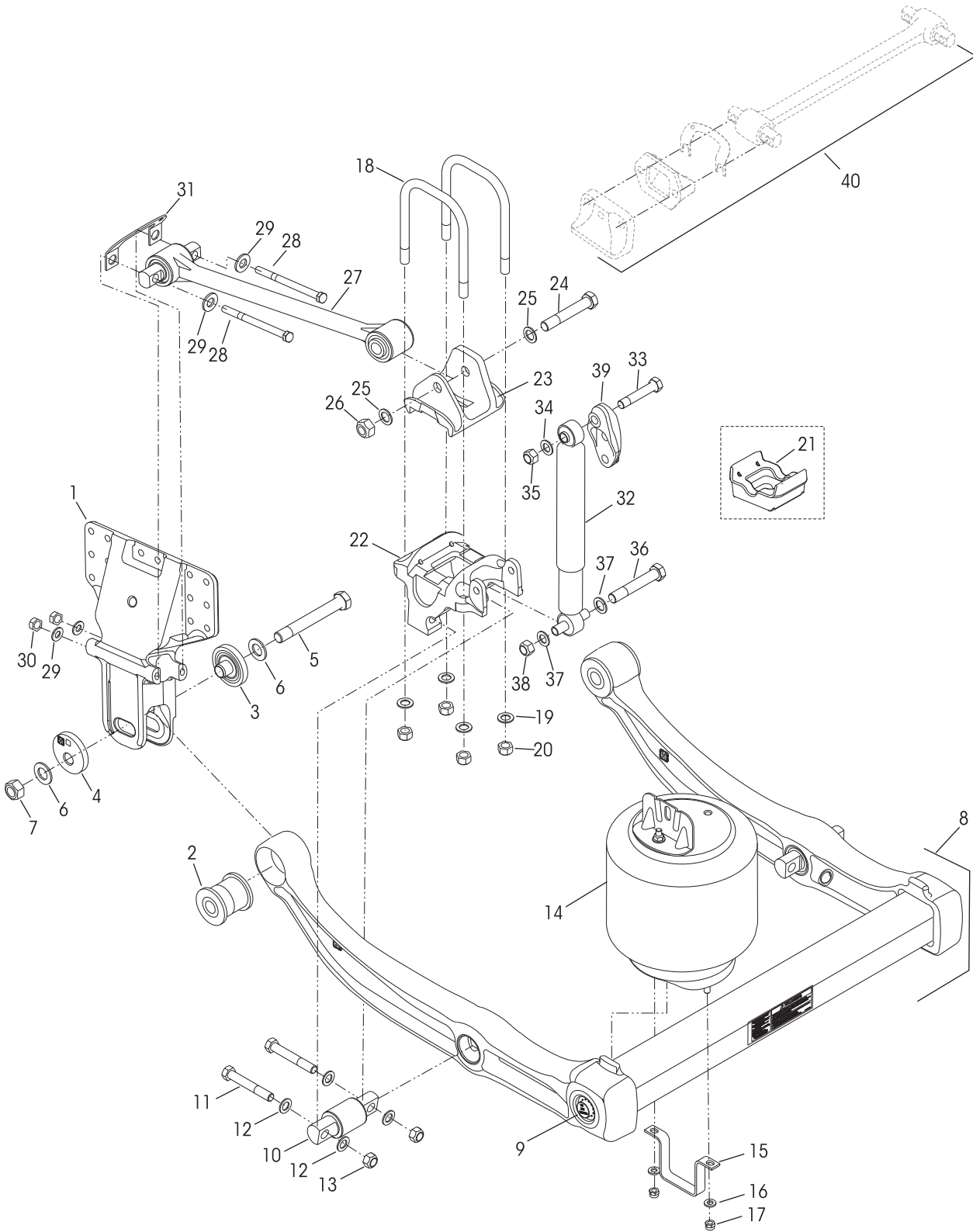


23K • 46K • 69K Capacity

8½" – 10" Ride Height
Equipped with Drum Brakes



PARTS LISTS





			VEHICLE				VEHICLE
KEY NO.	PART NO.	DESCRIPTION	*QTY.	KEY NO.	PART NO.	DESCRIPTION	*QTY.
1	67222-000	Frame Hanger	4	18		**3/4"-16 UNF Square U-bolt	8
		QUIK-ALIGN® Pivot Bushing Service Kit,		a		10 3/8" Length - 8 1/2" Ride Height	
	60961-720	Includes Key Nos. 2-7, 41		b		9 7/8" Length - 10" Ride Height	
	60632-020	One Wheel End Axle Set		19		**3/4" Flat Washer	16
		QUIK-ALIGN Collar Service Kit, Includes		20		**3/4"-16 UNF U-bolt Locknut	16
		Key Nos. 3-7		21	65139-003	Axle Spacer, 8 1/2" Ride Height Only	4
	60632-019	One Wheel End Axle Set		22	60556-XXX	Bottom Cap, <i>see Table 1 below</i>	4
	60632-021	QUIK-ALIGN Fastener Service Kit,				Longitudinal Torque Rod Fastener Service Kits,	
	60632-018	Includes Key Nos. 5-7				One Side,	
		One Wheel End, Includes Key Nos. 24-26			58821-012	To Top Pad, Includes Key Nos. 24-26	
					58821-027	To Frame Hanger, Includes Key Nos. 28-30	
2		**QUIK-ALIGN Pivot Bushing	4	23		Top Pad	4
3		**QUIK-ALIGN Concentric Collar	4		60877-001	8 1/2" Ride Height	
4		**QUIK-ALIGN Eccentric Collar	4		65641-000	10" Ride Height	
5		**1"-14 UNF x 7 1/2" Hex Bolt	4	24		**7/8"-14 UNF-2A x 5 1/2" Hex Bolt	4
6		**1" Flat Washer	8	25		**7/8" Flat Washer	8
7		**1"-14 UNF Locknut	4	26		**7/8"-14 UNF-2B Locknut	4
8		U-beam Assembly, Includes Key Nos. 2, 9-10		27	67274-XXX	Longitudinal Torque Rod, <i>Replaces 64981-XXX</i>	4
	67249-003	Rear	1			<i>See Table 1 below</i>	
	67249-004	Front	1	28		**5/8"-11 UNC x 8" Hex Bolt <i>or</i> ***M16 x 2-6G Bolt	8
9	69565-001	U-beam Assembly Enhancement Aftermarket Service Kit, Axle Set, <i>see Page 269 for contents</i>		29		**5/8" Flat Washer <i>or</i> ***M16 Washer	16
		D-pin Bushing Service Kits, <i>see Table 1 below</i>		30		**5/8"-11 UNC Locknut <i>or</i> ***M16 x 2-6H Locknut	8
10		**D-pin Bushing	4	31	70240-001	Torque Rod Shim, 3.0 mm	As Req.
11		**3/4"-16 UNF Bolt, <i>see Table 1 below</i>	8		70240-002	Torque Rod Shim, 1.5 mm	
12		**3/4" Flat Washer	16	32		Shock Absorber	4
13		**3/4"-16 UNF Locknut	8		60657-007L	8 1/2" Ride Height	
		Air Spring Service Kits			60657-003L	10" Ride Height	
	60961-230	One Wheel End, Includes Key Nos. 14-17			50754-030	Single Shock Absorber Fastener Service Kit,	
	49177-006	Single, Fasteners Only, Includes Key Nos. 16-17				Includes Key Nos. 33-38	
14	67043-002	Air Spring Assembly	4	33		**3/4"-10 UNC x 4 1/4" Upper Shock Bolt	4
15	60911-002	Lower Air Spring Mounting Bracket	4	34		**3/4" Flat Washer	4
16		**1/2" Flat Washer	8	35		**3/4"-10 UNC Locknut	4
17		**1/2"-13 UNC Locknut	8	36		**5/8"-11 UNC X 6" Lower Shock Bolt	4
		U-bolt Service Kit, One Wheel End		37		**5/8" Flat Washer	8
	48718-125	8 1/2" Ride Height, Includes Key Nos. 18a, 19-20		38		**5/8"-11 UNC Locknut	4
	48718-126	10" Ride Height, Includes Key Nos. 18b, 19-20		39	67463-006	Upper Shock Frame Bracket	4
				40		***Transverse Torque Rod Assembly	2
				41	70867-001	P-80 Lubricant - 10 ml (Not Shown)	Per Bushing 1
				Not Shown		***Height Control Valve and Linkage Assembly	1

PARTS LISTS

NOTES: * Quantities specified are shown for tandem suspension. Adjust quantities for single or tridem suspensions. Quantities of service kit components may vary from amount shown in lists.

** Item included in kit/assembly only, part not sold separately.

*** Item required, component supplied by vehicle manufacturer. Hendrickson is not responsible for components not supplied by Hendrickson, for assistance with maintenance and rebuild instructions on these components see vehicle manufacturer.

TABLE 1

	*Pinion Angle		D-pin Bolt Length Key No. 11	D-pin Bushing Service Kit No. Includes Key Nos. 10-13	D-pin Fasteners Service Kit No. Includes Key Nos. 11-13	Part Number	
	Ride Height					Bottom Cap Key No. 22	**Longitudinal Torque Rod Key No. 27
	8 1/2"	10"					
FRONT	2.9°	2.9°	4 3/4"	34013-117	56659-012	60556-025	67274-530
	6.0°	6.1°	5 1/4"	34013-201	56659-014	60556-060	
	7.9°	8.2°	5"	34013-107	56659-009	60556-120	
REAR	10.3°	9.8°	4 3/4"	34013-117	56659-012	60556-100	67274-575
	10.7°	10.2°				60556-105	
	11.2°	10.7°				60556-110	
	11.6°	11.2°				60556-115	
	12.1°	11.6°	5"	34013-107	56659-009	60556-120	
	13.4°	13.1°	5 1/4"	34013-201	56659-014	60556-130	
						60556-135	

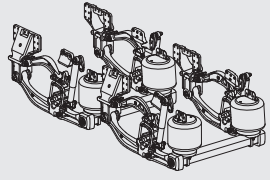
NOTES: ♦ Measured with QUIK-ALIGN pinion set at neutral position (12 O'Clock)

♦♦ Torque rod bushings are non-serviceable, replacement requires complete torque rod assembly with bushings.

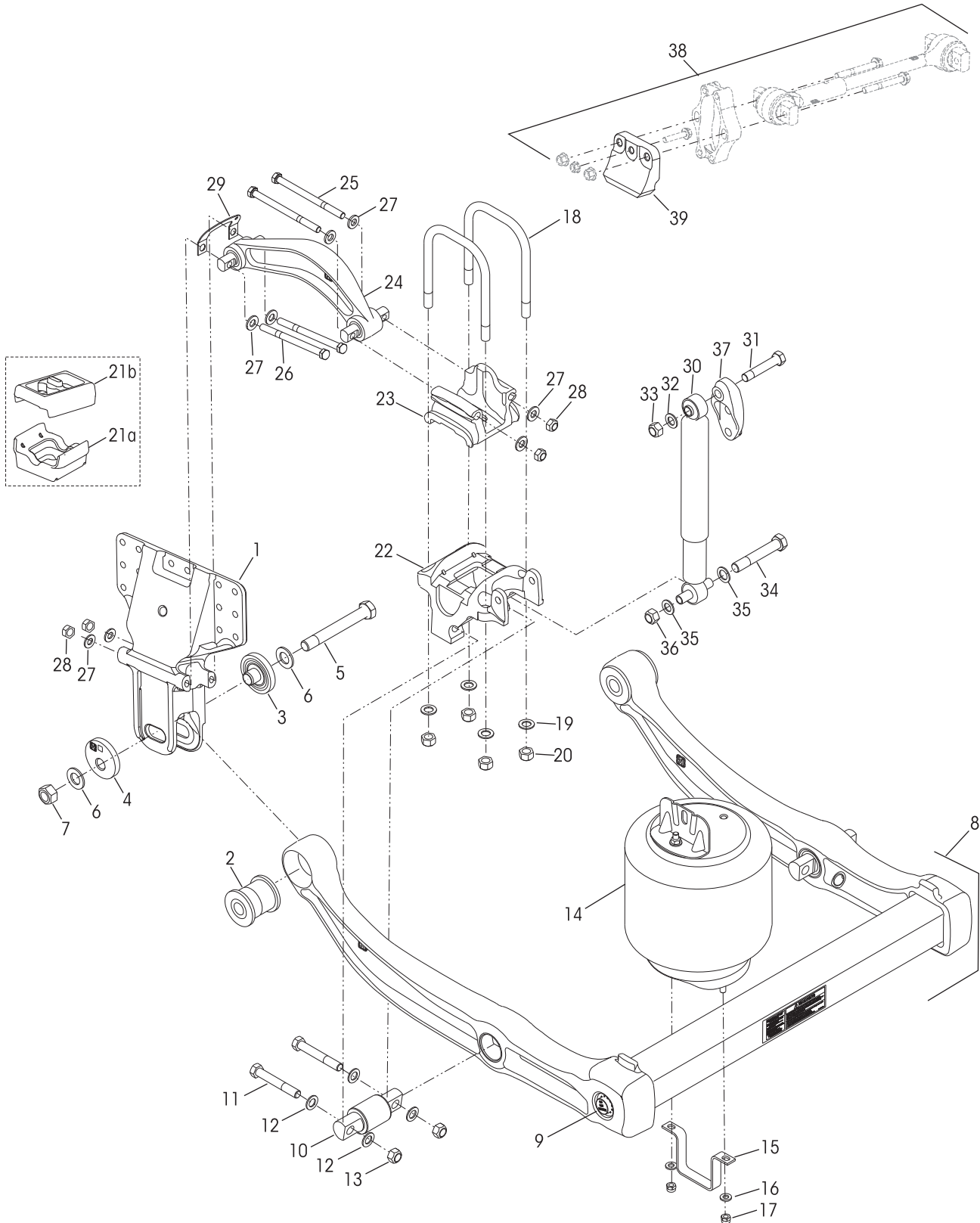


23K • 46K • 69K Capacity

8½" – 10" Ride Height
Equipped with Air Disc Brakes



PARTS LISTS





KEY NO.	PART NO.	DESCRIPTION	VEHICLE *QTY.	KEY NO.	PART NO.	DESCRIPTION	VEHICLE *QTY.
1	67222-002	Frame Hanger	4	18		** 3/4"-16 UNF Square U-bolt	8
		QUIK-ALIGN Pivot Bushing Service Kit, Includes Key Nos. 2-7, 40		a		10 3/8" - 8 1/2" Ride Height	
	60961-720	One Wheel End		b		9 7/8" - 10" Ride Height	
	60632-020	Axle Set		19		**3/4" Flat Washer	16
		QUIK-ALIGN Collar Service Kit, Includes Key Nos. 3-7		20		**3/4"-16 UNF U-bolt Locknut	16
	60632-019	One Wheel End		21		Axle Spacer	4
	60632-021	Axle Set		a	65139-003	8 1/2" Ride Height, Lower	
	60632-018	QUIK-ALIGN Fastener Service Kit, One Wheel End, Includes Key Nos. 5-7		b	76960-001	10" Ride Height, Upper	
2		**QUIK-ALIGN Pivot Bushing	4	22	60556-XXX	Bottom Cap, <i>see Table 1 below</i>	4
3		**QUIK-ALIGN Concentric Collar	4	23	76961-000	Top Pad	4
4		**QUIK-ALIGN Eccentric Collar	4	24		Longitudinal Torque Rod, <i>see Table 1 below</i>	4
5		**1"-14 UNF x 7 1/2" Hex Bolt	4	Longitudinal Torque Rod Fastener Service Kits, One Side,			
6		**1" Flat Washer	8	49176-060		To Top Pad, Includes Key Nos. 25, 27-28	
7		**1"-14 UNF Locknut	4	49176-050		To Frame Hanger, Includes Key Nos. 26-28	
8		U-beam Assembly, Includes Key Nos. 2, 9-10		25		**5/8"-11 UNC x 5 1/2" Hex Bolt	8
	67249-003	Rear	1	26		**3/8"-11 UNC x 10 1/2" Hex Bolt	8
	67249-004	Front	1			***M16 x 2-6G Bolt	
9	69565-001	U-beam Assembly Enhancement Aftermarket Service Kit, Axle Set, <i>see Page 269 for contents</i>		27		**5/8" Flat Washer	32
		D-pin Bushing Service Kits, <i>see Table 1 below</i>				***M16 Washer	
10		**D-pin Bushing	4	28		**5/8"-11 UNC Locknut	16
11		**3/4"-16 UNF Bolt, <i>see Table 1 below</i>	8			***M16 x 2-6H Locknut	
12		**3/4" Flat Washer	16	29	70240-001	Torque Rod Shim, 3.0 mm, <i>see Table 1 below</i>	
13		**3/4"-16 UNF Locknut	8		70240-002	Torque Rod Shim, 1.5 mm	
		Air Spring Service Kits		30	60657-007L	Shock Absorber	4
	60961-230	One Wheel End, Includes Key Nos. 14-17			50754-030	Single Shock Absorber Fastener Service Kit, Includes Key Nos. 31-36	
	49177-006	Single, Fasteners Only, Includes Key Nos. 16-17		31		**3/4"-10 UNC x 4 1/4" Upper Shock Bolt	4
14	67043-002	Air Spring Assembly	4	32		**3/4" Flat Washer	4
15	60911-002	Lower Air Spring Mounting Bracket	4	33		**3/4"-10 UNC Locknut	4
16		**1/2" Flat Washer	8	34		**5/8"-11 UNC X 6" Lower Shock Bolt	4
17		**1/2"-13 UNC Locknut	8	35		**5/8" Flat Washer	8
		U-bolt Service Kit, One Wheel End		36		**5/8"-11 UNC Locknut	4
	48718-130	8 1/2" Ride Height, Includes Key Nos. 18a, 19-20		37	67463-006	Upper Shock Frame Bracket	4
	48718-178	10" Ride Height, Includes Key Nos. 18b, 19-20		38		***Transverse Torque Rod Assembly	2
				39	77207-001	Axle Stop	4
				40	70867-001	P-80 Lubricant - 10 ml (Not Shown) Per Bushing	1
				Not Shown		***Height Control Valve and Linkage Assembly	1

NOTES: * Quantities specified are shown for tandem suspension. Adjust quantities for single or tridem suspensions. Quantities of service kit components may vary from amount shown in lists.

** Item included in kit/assembly only, part not sold separately.

*** Item required, component supplied by vehicle manufacturer. Hendrickson is not responsible for components not supplied by Hendrickson, for assistance with maintenance and rebuild instructions on these components see vehicle manufacturer.

TABLE 1

*Pinion Angle	Brake Clocking		D-pin Bolt Length Key No. 11	D-pin Bushing Service Kit No. Includes Key Nos. 10-13	D-pin Fasteners Service Kit No. Includes Key Nos. 11-13	Bottom Cap Key No. 22	**Longitudinal Torque Rod Key No. 24	Torque Rod Shims Key No. 29				
	Ride Height							Ride Height				
	8 1/2"	10"						8 1/2"	10"			
1.5°	92°	84°	4 3/4"	34013-117	56659-012	60556-025	67219-435	3 mm	3 mm			
2.5°						60556-035						
4°						60556-050						
6°						77128-435				6 mm	5 mm	
7°												60556-845
9°						60556-855				5 mm	6 mm	
9.5°						60556-805						
10°						60556-810				68801-205	4 mm	3 mm
10.5°						60556-820						
11°						60556-825						
11.5°	60556-830											
12°	60556-835											
12.5°	60556-840	6 mm	4 mm									
	60556-845											

NOTES: ♦ Measured with QUIK-ALIGN pinion set at neutral position (12 O'Clock)

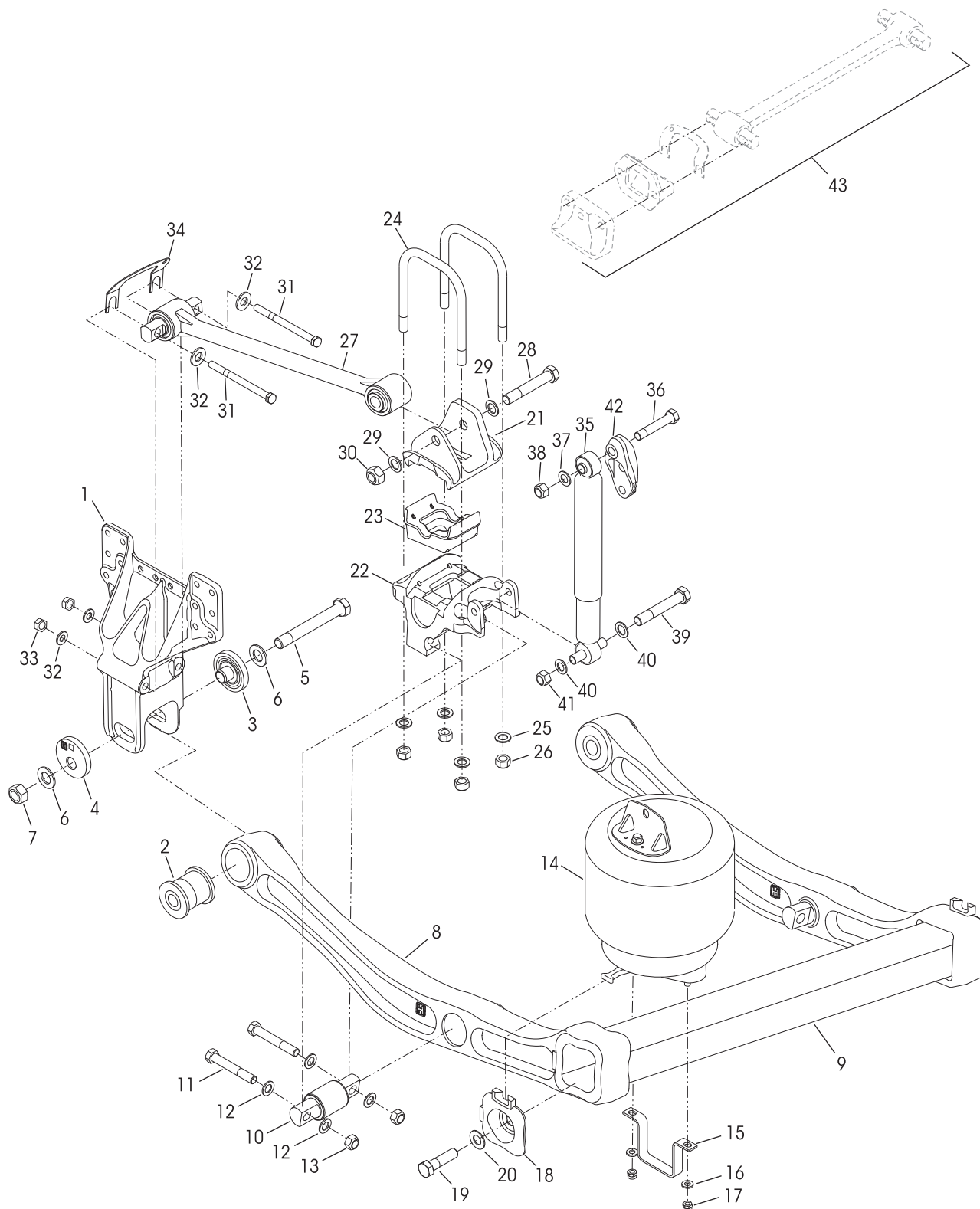
♦♦ Torque rod bushings are non-serviceable, replacement requires complete torque rod assembly with bushings.



23K • 46K • 69K Capacity

8½" – 10" Ride Height
Equipped with Drum Brakes

PARTS LISTS





			VEHICLE				VEHICLE
KEY NO.	PART NO.	DESCRIPTION	*QTY.	KEY NO.	PART NO.	DESCRIPTION	*QTY.
1	65702-001	Frame Hanger	4	20		**7/8" Flat Washer	4
		QUIK-ALIGN Pivot Bushing Service Kit, Includes Key Nos. 2-7, 44		21	60877-001	Top Pad	4
	60961-720	One Wheel End		22	60556-XXX	Bottom Cap, <i>see Selection Guide on Page 339</i>	4
	60632-020	Axle Set		23	65139-003	Axle Spacer	4
		QUIK-ALIGN Collar Service Kit, Includes Key Nos. 3-7			48718-125	U-bolt Service Kit, One Wheel End, Includes Key Nos. 24-26	
	60632-019	One Wheel End		24		**3/4"-1.6 UNF x 10 3/8"	8
	60632-021	Axle Set		25		**3/4" Flat Washer	16
	60632-018	QUIK-ALIGN Fastener Service Kit, One Wheel End, Includes Key Nos. 5-7		26		**3/4"-1.6 UNF U-bolt Locknut	16
2		**QUIK-ALIGN Pivot Bushing	4	27	67274-XXX	Longitudinal Torque Rod, <i>Replaces 64981-XXX</i> <i>See Selection Guide on Page 339</i>	4
3		**QUIK-ALIGN Concentric Collar	4			Longitudinal Rod Fastener Service Kits, One Side, To Top Pad, Includes Key Nos. 28-30	
4		**QUIK-ALIGN Eccentric Collar	4		58821-012	To Frame Hanger, Includes Key Nos. 31-33	
5		**1"-1.4 UNF x 7 1/2" Hex Bolt	4		58821-027	To Frame Hanger, Includes Key Nos. 31-33	
6		**1" Flat Washer	8	28		**7/8"-1.4 UNF-2A x 5 1/2" Hex Bolt	4
7		**1"-1.4 UNF Locknut	4	29		**7/8" Flat Washer	8
8		****Support Beam Assembly, 60831-XXX <i>See Table 1 below</i>		30		**7/8"-1.4 UNF-2B Locknut	4
9		****Cross Tube, 60912-005, <i>see Table 1 below</i>		31		**5/8"-1.1 UNC x 8" Hex Bolt	8
	34013-107	Single D-pin Service Kit, Includes Key Nos. 10-13				***M16 x 2-6G Bolt	
10		**D-pin Bushing	4	32		**5/8" Flat Washer	16
	56659-009	D-pin Fastener Service Kit, Axle Set, Includes Key Nos. 11-13				***M16 Washer	
11		**3/4"-1.6 UNF x 5" Bolt	8	33		**5/8"-1.1 UNC Locknut	8
12		**3/4" Flat Washer	16			***M16 x 2-6H Locknut	
13		**3/4"-1.6 UNF Locknut	8	34		Torque Rod Shim	As Req.
	60961-062	Air Spring Assembly Service Kit, One Wheel End, Includes Key Nos. 14-17			70240-001	3.0 mm	
14	60271-002	Air Spring Assembly	4		70240-002	1.5 mm	
15	60911-000	Lower Air Spring Mounting Bracket	4	35	60657-007L	Shock Absorber	4
	49177-006	Single Lower Air Spring Fastener Service Kit, Includes Key Nos. 16-17			50754-030	Single Shock Absorber Fastener Service Kit, Includes Key Nos. 36-41	
16		**1/2" Flat Washer	8	36		**3/4"-1.0 UNC x 4 1/4" Upper Shock Bolt	4
17		**1/2"-1.3 UNC Locknut	8	37		**3/4" Flat Washer	4
	46772-001	End Cap and Fastener Kit, Axle Set, Includes Key Nos. 18-20		38		**3/4"-1.0 UNC Locknut	4
18		**End Cap	4	39		**5/8"-1.1 UNC X 6" Lower Shock Bolt	4
19		**7/8"-9 UNC x 3 1/2" Hex Bolt	4	40		**3/8" Flat Washer	8
				41		**5/8"-1.1 UNC-2B Locknut	4
				42	67463-006	Upper Shock Frame Bracket, <i>Replaces 65000-006</i>	4
				43		***Transverse Torque Rod Assembly	2
				44	70867-001	P-80 Lubricant - 10 ml (Not Shown)	Per Bushing 1
				Not Shown		***Height Control Valve and Linkage Assembly	1

NOTES: * Quantities specified are shown for tandem suspension. Adjust quantities for single or tridem suspensions. Quantities of service kit components may vary from amount shown in lists.

** Item included in kit/assembly only, part not sold separately.

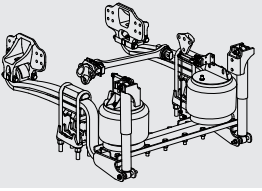
*** Item required, component supplied by vehicle manufacturer. Hendrickson is not responsible for components not supplied by Hendrickson, for assistance with maintenance and rebuild instructions on these components see vehicle manufacturer.

**** No longer available for service, see Replacement Guide below. For more information, refer to Hendrickson Technical Bulletin Literature No. SEU-0229 or contact Hendrickson Tech Services.

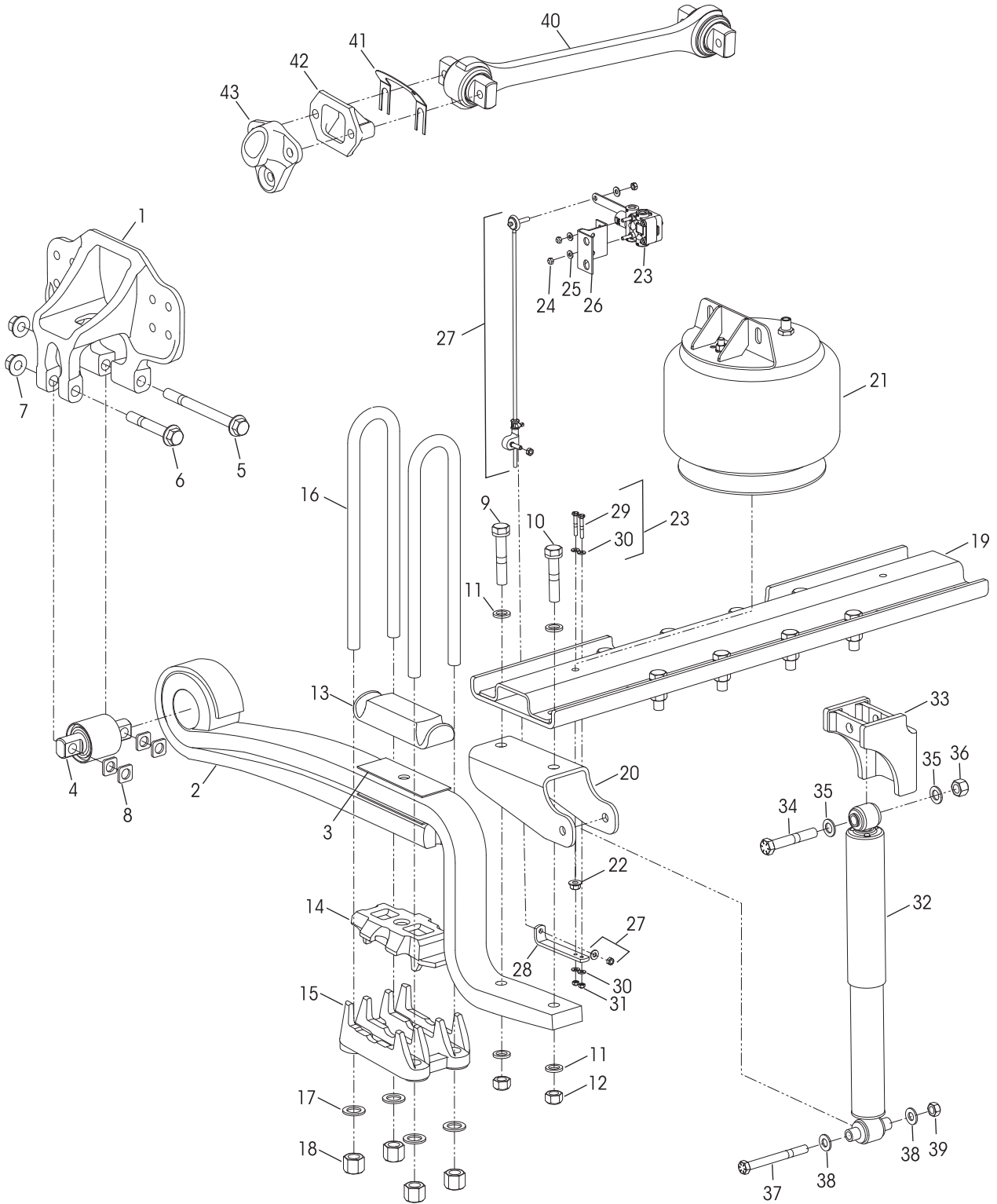
TABLE 1		Discontinued		New	Comments
Drive Axle	Support Beam Assembly Part Number		Cross Tube Part Number	U-beam Assembly Replacement Kit No.	Each U-beam assembly replacement kit is intended to service the associated suspension parts on one axle. It includes two new support beam assemblies, one cross tube, two air spring assemblies, air spring fasteners, QUIK-ALIGN fasteners and D-pin fasteners.
	Left Hand	Right Hand			
Forward	60831-003	60831-004	60912-005	60961-237	
Rear	60831-001	60831-002		60961-238	



9 1/2" Ride Height



PARTS LISTS



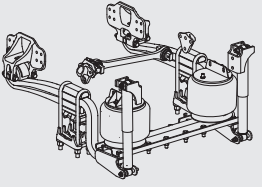


KEY NO.	PART NO.	DESCRIPTION	VEHICLE QTY.	KEY NO.	PART NO.	DESCRIPTION	VEHICLE QTY.
1	78101-204	Frame Hanger	2	22		*M12 x 1.75 Flange Locknut	2
2	82434-000	Main Support Member 2-Leaf Assembly, Includes Key No. 3-4	2			Height Control Valve and Linkage Assembly	
3		*Galvanized Steel Liner	2	91334-001		Left Hand, Includes Key Nos. 23-26, 27a	1
	34013-318	Spring Eye Bushing Service Kit, One Side Includes Key Nos. 4-8 and 44	2	91334-002		Right Hand , Includes Key Nos. 23-26, 27b	1
4		*Spring Eye Bar Pin Bushing	2	23	60501-000L	Height Control Valve, Includes Key Nos. 24-25	2
5	67749-220	M20 x 1.5-6G x 220 mm Flange Bolt	2	24		*1/4"-20 UNC Hex Nut	4
6	67749-130	M20 x 1.5-6G x 130 mm Flange Bolt	2	25		*1/4" Flat Washer	4
7	67745-000	M20 x 1.5 CL10 Flange Nut	4	26	57975-001	HCV Upper Mounting Bracket	2
8	78326-000	Bar Pin Shim - 3/16" Gray	8	27		HCV Linkage Assembly	2
	78326-020	Bar Pin Shim Service Kit , Includes Twenty of 3/32" Yellow Shims (not shown)	2	a	58994-063	18 3/8" Length	
9	58258-110	M20 x 2.5-6G x 110 mm Hex Bolt	2	b	58994-064	18 3/8" Length	
10	58258-100	M20 x 2.5-6G x 100 mm Hex Bolt	2	28	65090-000	HCV Linkage Lower Bracket	2
11	58246-007	M20 Hardened Washer	8		58525-060	HCV Lower Bracket Service Kit, One Side Includes Key Nos. 29-31	
12	58259-001	M20 x 2.5-6H Locknut	4	29		*1/4"-20 UNC-2A x 1 3/4" Bolt	4
13	80456-000	Top Pad	2	30		*1/4" Hardened Washer	8
14		Spring Seat - 4° Pinion Angle		31		*1/4"-20 UNC Locknut	4
	91175-141P	Left Hand	1	32	70807-007L	Shock Absorber	2
	91175-040P	Right Hand	1	33	91136-000	Upper Shock Mount Bracket, Outboard	2
15		Bottom Cap - 4° Pinion Angle			34013-326	Single Shock Absorber Fastener Service Kit , Includes Key Nos. 34-39	
	80846-140	Left Hand	1	34	58917-022	3/4"-10 UNC x 4 1/2" Upper Shock Hex Bolt	2
	80847-140	Right Hand	1	35	22962-001	3/4" Flat Washer	4
16	58185-475	M24 x 2-6G x 475 mm U-bolt	4	36	49842-000	3/4"-10 UNC Locknut	2
17	22962-008	1" Hardened Washer	8	37	32043-017	5/8"-11 UNC x 6" Lower Shock Hex Bolt	2
18	70653-001	M24 x 2 Torque Hex Nut	8	38	22962-004	5/8" Flat Washer	4
19	80891-002	Cross Channel Assembly, 40 7/8" - Outboard 34 1/4" Frame Width	1	39	47764-000	5/8"-11 UNC Locknut	2
20	91046-200	Lower Shock Bracket	2	40	7530-0101-615	Transverse TRAAX ROD™ Severe-duty, 5° Bar Pin Bushing Angle	1
21	80893-104	Air Spring Assembly, Includes Upper Bracket and Fasteners	2	41	49689-000L	Torque Rod Shim 1.52 mm	As Req.
	49177-054	Air Spring Fastener Service Kit, One Side Includes Key Nos. 22	1	42	22186-000	Torque Rod Frame Bracket	1
				43	80777-000	Axle Stop	2
				44	60937-000	Loctite (Red) Compound Tube (Not Shown)	1

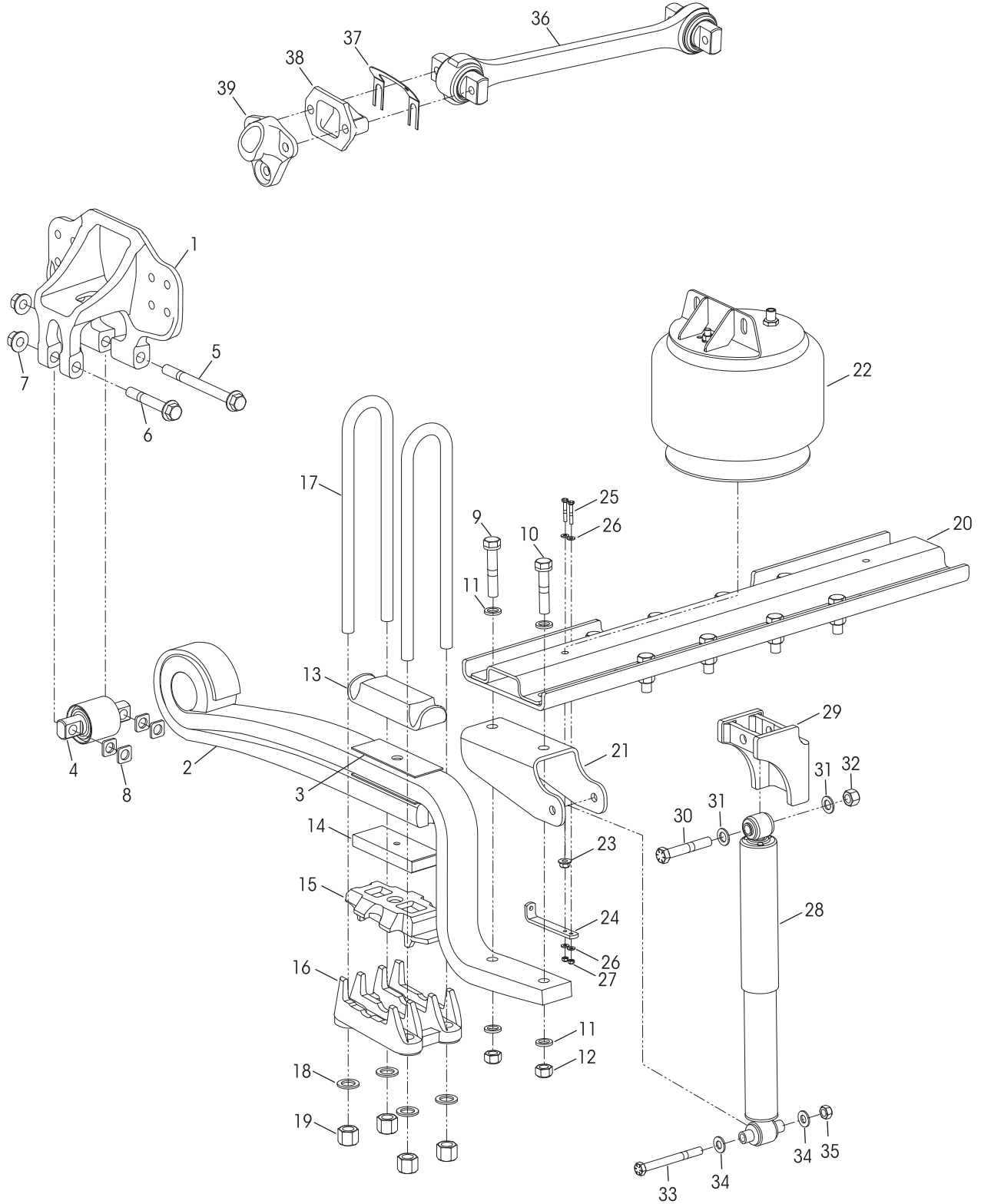
NOTES: * Item included in assembly or service kit only, part not sold separately.



10½" Ride Height



PARTS LISTS



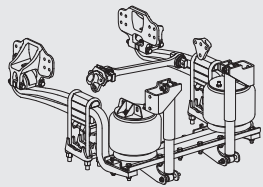


KEY NO.	PART NO.	DESCRIPTION	VEHICLE QTY.	KEY NO.	PART NO.	DESCRIPTION	VEHICLE QTY.
1	78101-204	Frame Hanger	2	21	91046-200	Lower Shock Bracket	2
2	82434-000	Main Support Member 2-Leaf Assembly 10½" Ride Height, Includes Key No. 3	2	22	80893-104	Air Spring Assembly, Includes Upper Bracket and Fasteners	2
3		*Galvanized Steel Liner	2		49177-054	Air Spring Fastener Service Kit, Axle Set Includes Key Nos. 23	
	34013-318	Spring Eye Bushing Service Kit, One Side Includes Key Nos. 4-8 and 40	2	23		*M12 x 1.75 Flange Locknut	2
4		*Spring Eye Bar Pin Bushing	2	24	65090-000	HCV Linkage Lower Bracket	2
5	67749-220	M20 x 1.5-6G x 220 mm Flange Bolt	2		58525-060	HCV Lower Bracket Service Kit, One Side, Includes Key Nos. 25-27	
6	67749-130	M20 x 1.5-6G x 130 mm Flange Bolt	2	25		*¼"-20 UNC-2A x 1¾" Bolt	4
7	67745-000	M20 x 1.5 CL10 Flange Nut	4	26		*¼" Hardened Washer	8
8	78326-000	Bar Pin Shim - ⅜" Gray	8	27		*¼"-20 UNC Locknut	4
	78326-020	Bar Pin Shim Service Kit , Includes Twenty of ⅜" Yellow Shims (not shown)	8	28	70807-007L	Shock Absorber	2
9	58258-110	M20 x 2.5-6G x 110 mm Hex Bolt	2	29	91136-000	Upper Shock Mount Bracket, Outboard	2
10	58258-100	M20 x 2.5-6G x 100 mm Hex Bolt	2		34013-326	Single Shock Absorber Fastener Service Kit, Includes Key Nos. 30-35	
11	58246-007	M20 Hardened Washer	8	30	58917-022	¾"-10 UNC x 4½" Upper Shock Hex Bolt	2
12	58259-001	M20 x 2.5-6H Locknut	4	31	22962-001	¾" Flat Washer	4
13	80456-000	Top Pad	2	32	49842-000	¾"-10 UNC Locknut	2
14	48531-015	Spring Seat Spacer - 1" Thick	2	33	32043-017	⅝"-11 UNC x 6" Lower Shock Hex Bolt	2
15		Spring Seat - 4° Pinion Angle		34	22962-004	⅝" Flat Washer	4
	91175-141P	Left Hand	1	35	47764-000	⅝"-11 UNC Locknut	2
	91175-040P	Right Hand	1	36	7527-2424-615	TRAAX ROD™ Severe-duty Torque Rod, 7° Bushing Angle	1
16		Bottom Cap - 4° Pinion Angle		37	49689-000L	Torque Rod Shim 1.52 mm Thick	As Req.
	80846-140	Left Hand	1	38	22186-000	Torque Rod Frame Bracket	1
	80847-140	Right Hand	1	39	80777-000	Axle Stop	2
17	58185-475	M24 x 2-6G x 475 mm U-bolt	4	40	60937-000	Loctite (Red) Compound Tube (Not Shown)	1
18	22962-008	1" Hardened Washer	8				
19	70653-001	M24 x 2 Torque Hex Nut	8				
20	80891-003	Cross Channel Assembly, 34" Frame Width	1				

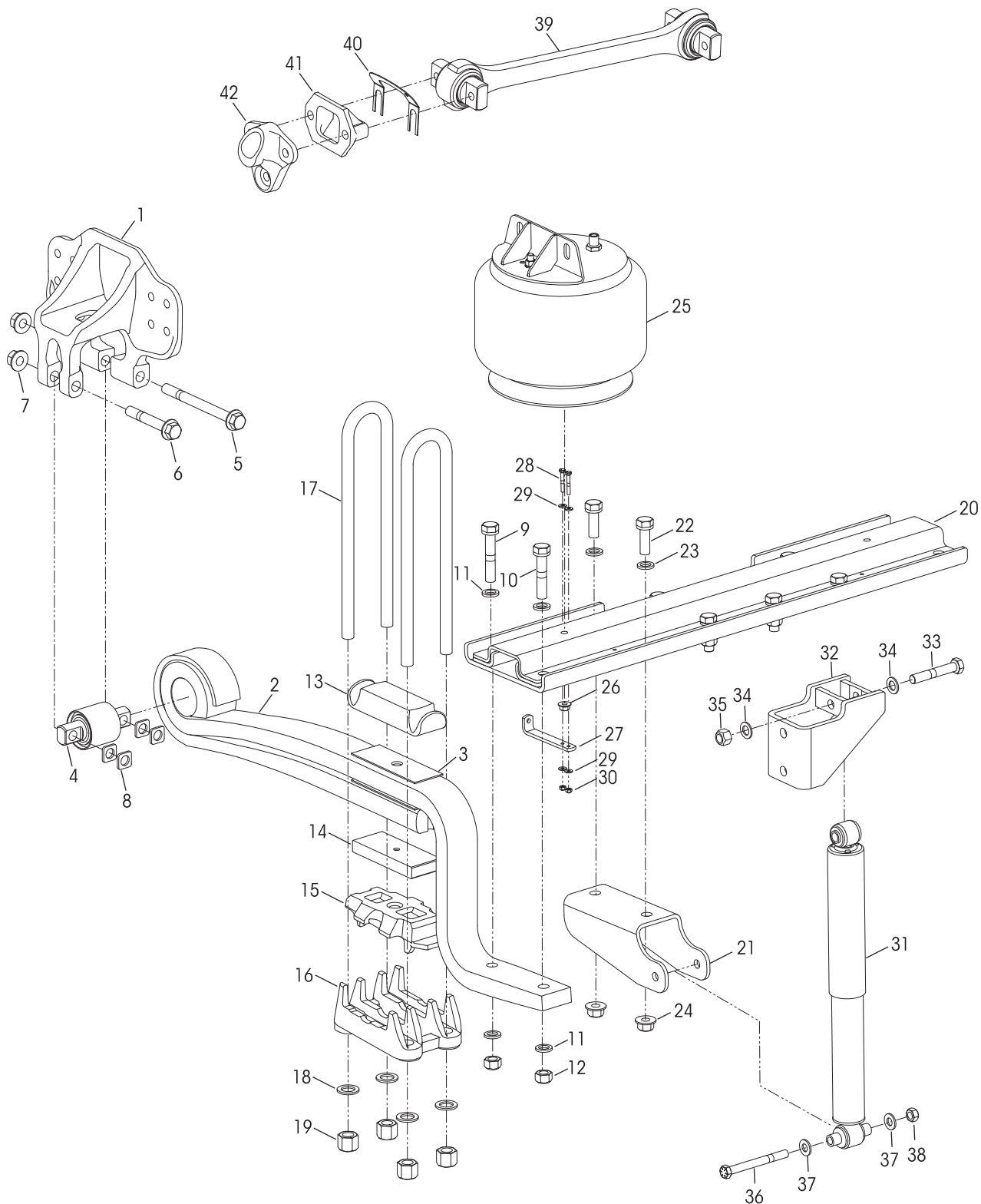
NOTES: * Item included in assembly or service kit only, part not sold separately.



10½" Ride height



PARTS LISTS



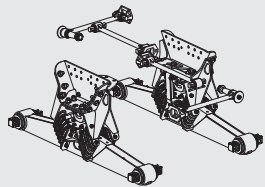


KEY NO.	PART NO.	DESCRIPTION	VEHICLE QTY.	KEY NO.	PART NO.	DESCRIPTION	VEHICLE QTY.
1	78101-204	Frame Hanger	2	21	91046-200	Lower Shock Bracket	2
2	82434-000	Main Support Member 2-Leaf Assembly Includes Key Nos. 3-4	2	22	58258-014	M20 x 2.5-6G x 65 mm Hex Bolt	8
3		*Galvanized Steel Liner	2	23	58246-007	M20 Hardened Washer	8
	34013-318	Spring Eye Bushing Service Kit, One Side Includes Key Nos. 4-8 and 43	2	24	69431-001	M20 x 2.5-6H Flange Locknut	8
4		*Spring Eye Bar Pin Bushing	2	25	80893-104	Air Spring Assembly, Includes Upper Bracket and Fasteners	2
5	67749-220	M20 x 1.5-6G x 220 mm Flange Bolt	2		49177-054	Air Spring Fastener Service Kit, Axle Set Includes Key Nos. 26	
6	67749-130	M20 x 1.5-6G x 130 mm Flange Bolt	2	26		*M12 x 1.75 Flange Locknut	2
7	67745-000	M20 x 1.5 CL 10 Flange Nut	4	27	65090-000	HCV Linkage Lower Bracket	2
8	78326-000	Bar Pin Shim - 3/16" Gray	8		58525-060	HCV Lower Bracket Service Kit, One Side Includes Key Nos. 28-30	
	78326-020	Bar Pin Shim Service Kit , Includes Twenty of 3/32" Yellow Shims (not shown)		28		*1/4"-20 UNC-2A x 1 3/4" Bolt	4
9	58258-110	M20 x 2.5-6G x 110 mm Hex Bolt	2	29		*1/4" Hardened Washer	8
10	58258-100	M20 x 2.5-6G x 100 mm Hex Bolt	2	30		*1/4"-20 UNC Locknut	4
11	58246-007	M20 Hardened Washer	8	31	70807-007L	Shock Absorber	2
12	58259-001	M20 x 2.5-6H Locknut	4	32	91001-000	Upper Shock Mount Bracket, Inboard	2
13	80456-000	Top Pad	2	33	58917-022	3/4"-10 UNC x 4 1/2" Upper Shock Hex Bolt	2
14	48531-015	Spring Seat Spacer - 1" Thick	2	34	22962-001	3/4" Flat Washer	4
15		Spring Seat - 4.5° Pinion Angle		35	49842-000	3/4"-10 UNC Locknut	2
	91175-046P	Left Hand	1	36	32043-017	5/8"-11 UNC x 6" Lower Shock Hex Bolt	2
	91175-045P	Right Hand	1	37	22962-004	5/8" Flat Washer	4
16		Bottom Cap - 4.5° Pinion Angle		38	47764-000	5/8"-11 UNC Locknut	2
	80846-045	Left Hand	1	39	7527-0101-630	Transverse TRAAX ROD™ Severe-duty, 5° Bar Pin Bushing Angle	1
	80847-045	Right Hand	1	40	49689-000L	Torque Rod Shim	As Req.
17	58185-475	M24 x 2-6G x 475 mm U-bolt	4	41	22186-000	Torque Rod Frame Bracket	1
18	22962-008	1" Hardened Washer	8	42	80777-000	Axle Stop	2
19	70653-001	M24 x 2 Torque Hex Nut	8	43	60937-000	Loctite (Red) Compound Tube (Not Shown)	1
20	80891-001	Cross Channel Assembly with L Spacer, 4 1/8" - Inboard, 35" Frame Width, Includes Key Nos. 21-24	1				

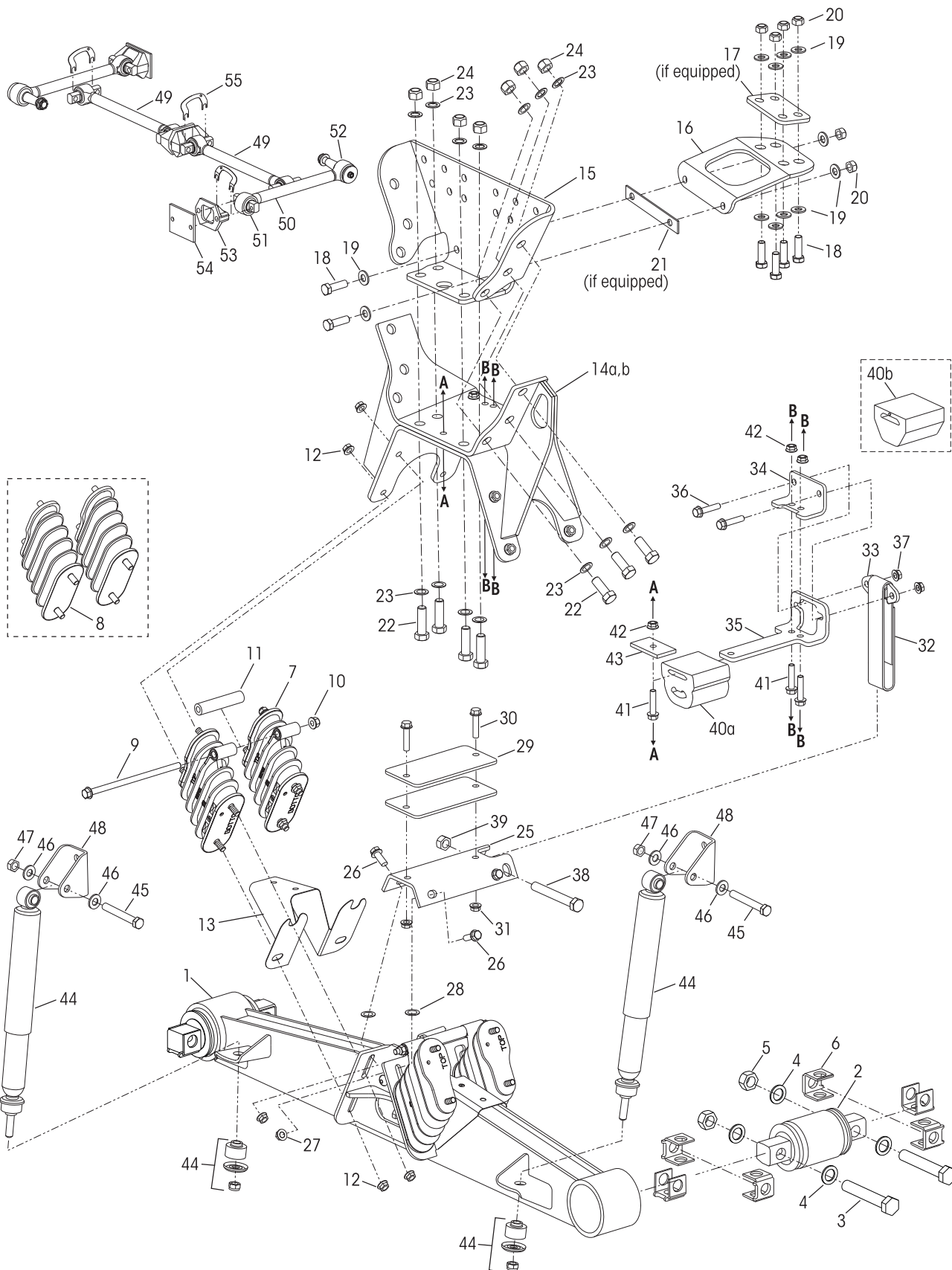
NOTE: * Item included in assembly or service kit only, part not sold separately.



40K • 46K Capacity



PARTS LISTS





KEY NO.	PART NO.	DESCRIPTION	VEHICLE QTY.
1		****Equalizing Beam Assembly, 40K • 46K	2
	64846-003	52", with Shock Bracket	
	64847-003	52", without Shock Bracket	
	64846-001	54", with Shock Bracket	
	64847-001	54", without Shock Bracket	
	64846-002	60", with Shock Bracket	
	64847-002	60", without Shock Bracket	
		****Equalizing Beam Assembly, 40K • 46K, with dual straps	
	64846-006	52", with Shock Bracket	
	64847-006	52", without Shock Bracket	
	64846-004	54", with Shock Bracket	
	64847-004	54", without Shock Bracket	
	64846-005	60", with Shock Bracket	
	64847-005	60", without Shock Bracket	
		Bar Pin End Bushing Service Kit, One Wheel End, Includes Key Nos. 2-6a	
	34013-088L	Shim Type	
	34013-188L	Rotating, Shim Type	
2		*Bar Pin Bushing	4
	34013-104	Bar Pin End Bushing Fastener Kit, One Wheel End, Includes Key Nos. 3-5	
3		*1"-8 UNC x 6" Hex Bolt	8
4		*1" Hardened Washer	16
5		*1"-8 UNC Locknut	8
6		Bar Pin Shim	8
	a 50131-000	0.25"/0.12" Standard	
	b 50130-000	0.19"/0.19" Optional	
	c 57026-000	0.375" Optional flat shim	
	60961-712	Tie-bar Bolster Springs and Progressive Load Spring Service Kit, One Side, Includes two 64179-048 and one 60961-745 Service Kits	
	64179-048	** Tie-bar Bolster Spring Service Kit, 2 Bolsters with 1 Wear Plate, Includes Key Nos. 7, 9-13	
	64179-049	** Bolster Spring Service Kit, 2 Bolsters with 1 Wear Plate, Includes Key Nos. 8, 12-13	
7		*Tie-bar Bolster Spring	8
8		*Bolster Spring	8
9	60818-003	½"-13 UNC x 10" Flange Bolt for Tie-bar	4
10	60819-000	½"-13 UNC Flange Nut for Tie-bar	4
11	65742-000	Tie-bar Bolster Spring Spacer	4
12	60819-000	½"-13 UNC Flange Nut	32
13	64890-000L	Wear Plate, <i>Replaces 60498-001 and 60498-002</i>	4
		Saddle Assembly Service Kit, Tandem Set,	
	57974-051	HAULMAAX 40K, Includes Key No. 14a and Kit No. 57974-048	
	57974-050	HAULMAAX 46K, Includes Key No. 14b and Kit No. 57974-049	
		Saddle Assembly Fastener Kit, Tandem Set,	
	57974-048	HAULMAAX 40K, Includes Key Nos. 12, 22-24, 26-27, 36-37, 41-42	
	57974-049	HAULMAAX 46K, Includes Key Nos. 9-12, 22-24, 26-27, 36-37, 41-42	
14		***Saddle Assembly, Vehicles built after 01/13/03	2
	a 64642-000	HAULMAAX 40K	
	b 64643-000	HAULMAAX 46K	
15		***Outboard Frame Bracket, <i>see Page 351</i> Vehicles built after 01/12/03	2
16		Inboard Frame Bracket, <i>see Page 351</i>	2
17	78441-000	Inboard Frame Bracket Shim, (46K, <i>if equipped,</i> International Truck Only)	2
18	32043-004	⅝"-11 UNC x 2¼" Hex Bolt *****M16 Hex Bolt	12
19	22962-004	⅝" Hardened Washer *****M16 Hardened Washer	24
20	47764-000	⅝"-11 UNC Locknut *****M16 Locknut	12

KEY NO.	PART NO.	DESCRIPTION	VEHICLE QTY.
21		Inboard Spacer (<i>if equipped</i>)	As Req.
	60618-001	⅛" Thick	
	60618-002	⅜" Thick	
		Outboard Frame Bracket to Saddle Assembly Fastener Kit, Includes Key Nos. 22-24	
	64179-038	Tandem Set	
	64179-039	One Side	
22		*M20 x 2.5-6G x 65 mm Hex Bolt	20
23		*M20 Hardened Washer	40
24		*M20 x 2½-6H Locknut	20
	57974-046	Contact Plate Service Kit, One Side, Includes Key Nos. 25-27	
25	59191-000	Load Spring Contact Plate	2
26		*⅝"-11 UNC x 1½" Flange Bolt for Vehicles built after 11/07 **** <i>Replaces 60818-001</i>	8
27		*⅝"-11 UNC Flange Nut for Vehicles built after 11/07 **** <i>Replaces 60819-000</i>	8
28		****Load Spring Contact Plate Spacer for Vehicles built prior to 11/07	8
29	60791-000	Load Spring Shim ¼" Thickness Quantity may vary for vehicles built prior to 07/15/14 equipped with Auxiliary Load Spring	4
30	60818-002	½"-13 UNC x 2¼" Flange Bolt	4
31	60819-000	½"-13 UNC Flange Nut	4
	64179-028	Rebound Strap Service Kit, One Side, Includes Key Nos. 32-33, 36-39	
32		*Rebound Strap	2
33		*Rebound Clip	2
34	60613-000	Rebound Support Angle	2
35	59384-000	Load Spring Bracket	2
36	60818-002	½"-13 UNC x 2¼" Flange Bolt	4
37	60819-000	½"-13 UNC Flange Nut	4
38	21867-007	¾"-16 UNF x 6" Hex Bolt	2
39	30191-000	¾"-16 UNF Locknut	2
		Progressive Load Spring Service Kits for vehicles built after 07/15/14	
	60961-745	One Side, Includes Key Nos. 40a, 41-42	
	60961-747	Tandem Set, Includes Key Nos. 40a, 41-42 • Also use as a conversion kit for vehicles built prior to 07/15/14	
	60961-746	Weight Bias Kit with Shims, Includes Key Nos. 29-31, 40a,b, 41-42, <i>Replaces 65902-004</i>	
	64179-004	Auxiliary Load Spring Service Kit, One Side, for vehicles built prior to 07/15/14 Includes Key Nos. 40b, 41-42	
40		Load Spring	2
	a	*Progressive	
	b	*Auxiliary	
41		*½"-13 UNC x 2¼" Flange Bolt	6
42		*½"-13 UNC Flange Nut	6
43	60874-000	Load Spring Spacer	2
		Single Shock Absorber Service Kit, (<i>if equipped</i>) Includes Key Nos. 44-47	
	64178-005	16½" Saddle Height	
	64178-006	17½" / 18½" Saddle Height	
		Aftermarket Shock Absorber Kit, for vehicles built with equalizing beams without welded shock absorber mounts, <i>see Page 353</i>	
44		Shock Absorber Assembly (<i>if equipped</i>)	4
	60680-004L	16½" Saddle Height (<i>see Figure 2</i>)	
	60680-005L	17½" / 18½" Saddle Height (<i>see Figure 2</i>)	
45	32043-005	⅝"-11 UNC x 4¼" Hex Bolt (<i>if equipped</i>)	4
46	22962-004	⅝" Hardened Washer (<i>if equipped</i>)	8
47	47764-000	⅝"-11 UNC Locknut (<i>if equipped</i>)	4
48	60304-000	Upper Shock Bracket (<i>if equipped</i>)	4



KEY NO.	PART NO.	DESCRIPTION	VEHICLE QTY.
49		One-piece Longitudinal Torque Rod Assembly, Straddle/Straddle ULTRA ROD®, Includes Key No. 51a	
	62000-XXX	Front, Specify Length in mm	1
	62001-XXX	Rear, Specify Length in mm	1
		ULTRA ROD® PLUS™, Includes Key No. 51b	
	72000-XXX	Front, Specify Length in mm	1
	72001-XXX	Rear, Specify Length in mm	1
	82XX-XXX-XXX	*****TRAAX ROD™, Specify Length in mm	1
50		*****One-piece Transverse Torque Rod Assembly, 2 Straddle/Taper, Specify Length in mm	2
	62350-XXX	ULTRA ROD, Includes Key Nos. 51a-52a	
	72350-XXX	ULTRA ROD PLUS, Includes Key Nos. 51b-52b	
	92350-XXX	XTRB, Includes Key Nos. 51c-52c	
	82XX-XXX-XXX	*****TRAAX ROD	
51		Straddle Bushing	4
a	47691-000L	ULTRA ROD	
b	64400-002L	ULTRA ROD PLUS	
c	66649-002L	XTRB	

KEY NO.	PART NO.	DESCRIPTION	VEHICLE QTY.
52		Taper Bushing	2
a	64697-000L	ULTRA ROD	
b	64400-004L	ULTRA ROD PLUS	
c	66649-004L	XTRB	
		Optional Two-Piece Torque Rod Assembly with Bushings Service Kit	
	60218-000	ULTRA ROD Straddle/Straddle	
	60215-000	ULTRA ROD Straddle/Taper	
	65781-000	ULTRA ROD PLUS Straddle/Taper	
	65781-001	XTRB Straddle/Straddle	
	65781-002	XTRB Straddle/Taper	
53	22186-000	Torque Rod Frame Bracket	2
54	45045-003	Back-up Plate (for Torque Rod)	2
55	49689-000L	Torque Rod Shim	As Req.
	70867-001	P-80 Lubricant - 10 ml (Not Shown)	per Bushing 1

FIGURE 1

Outboard Frame Bracket Top View

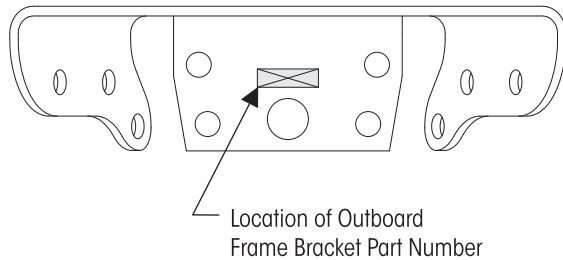
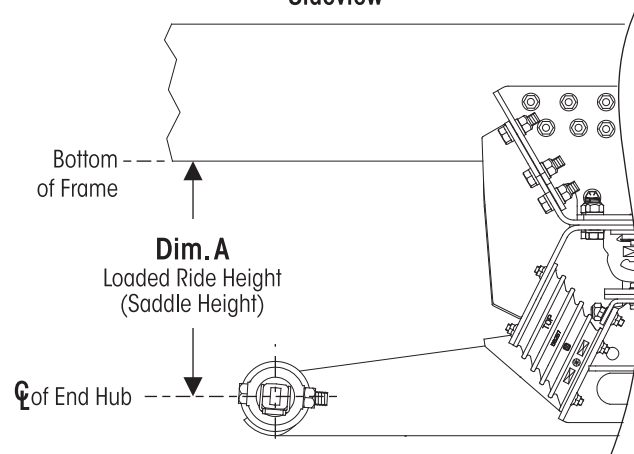


FIGURE 2

Sideview



NOTES: * Item included in kit / assembly only, part not sold separately.

** HAULMAAX 46K suspensions must be serviced with the new tie-bar bolster spring Kit No. 64179-048. All HAULMAAX 40K suspensions can be serviced using the existing bolster springs Kit No. 64179-049 or if preferred, tie-bar bolster spring Kit No. 64179-048. Refer to Hendrickson Technical Bulletin Literature No. SEU-0225 for more information.

*** For vehicles built prior to January 2003 it will be necessary to replace the saddle assembly with the current production saddle assembly and corresponding outboard frame bracket.

**** For vehicles built prior to November 2007, Kit No. 57974-046 is required when replacing the load spring contact plate or equalizing beam.

***** Transverse torque rods are mandatory for the HAULMAAX suspensions regardless of axle spacing, see Literature No. 59310-004 and 59310-058 for more information.

***** Not supplied by Hendrickson, used for reference only. Refer to vehicle manufacturer for more information. Hendrickson is not responsible for components supplied by vehicle manufacturer.

***** TRAAX RODS are non-rebushable. The entire torque rod assembly must be replaced.

Hendrickson HAULMAAX/HN Gauge can be obtained on-line at www.hendrickson-intl.com/Litform

- Literature number 48422-546 – Bolster Spring
- Literature number 48422-590 – Progressive Load Spring

To obtain a new Hendrickson HAULMAAX Decal, No. 60905-002, contact Hendrickson.



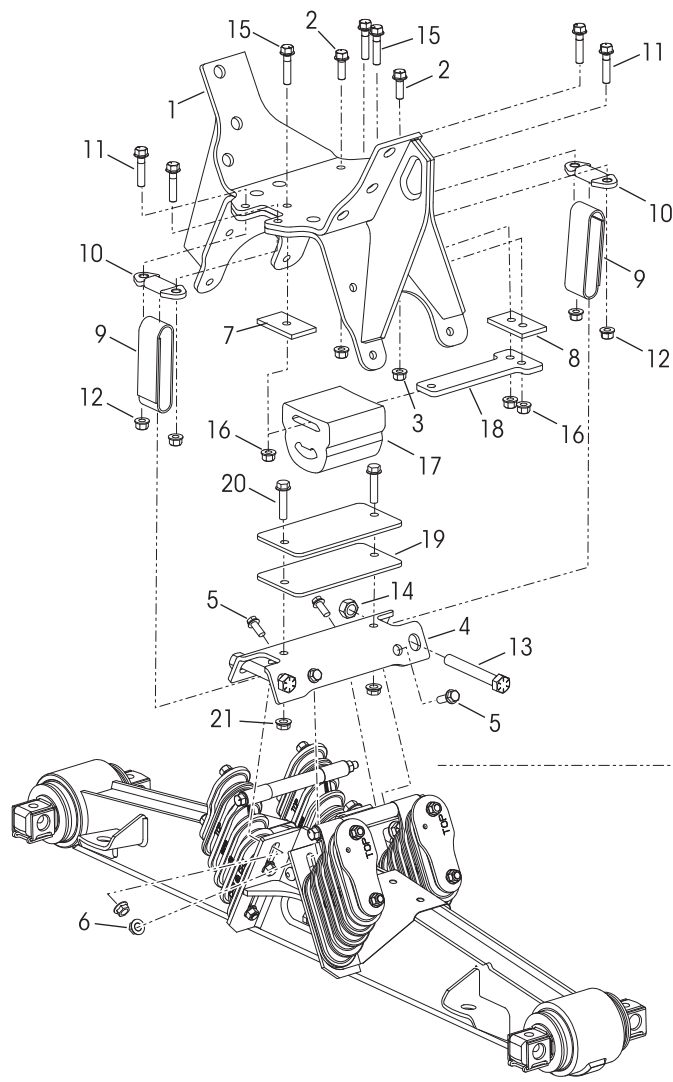
■ Outboard • Inboard Frame Bracket Selection Guide

Key No. 15		Outboard Frame Bracket — Vehicles built after 01/13/03					
Vehicle Manufacturer	Frame Width	Saddle Height = Dim. A in Figure 2					
		16½"	17½"	18½"	20¼"	22½"	25½"
Autocar	34"	64595-611	64595-612	64595-613			
CCC		64595-801 <i>replaces 64595-001</i>					
Freightliner	34.3" - 34.5"	64636-001	64636-002	64636-003			
GM	34.75"		64595-701				
International Truck	34.12" - 34.25"	64595-101			64595-105	64595-107	
	34.68" - 34.94"	64595-104		64595-114	64595-106	64595-108	64595-110
Mack	33.5"	64595-301	64595-302	64595-303			
	34.3"		64595-307				
Oshkosh	34"			64595-003			
Paccar		64595-001	64595-002	64595-003	64595-105		
	34.75"	64595-004	64595-005	64595-006			
Volvo	33.5"	64595-301					
Western Star	34"	64595-001	64595-002	64595-003			

Key No. 16		Inboard Frame Bracket						
Vehicle Manufacturer	Equalizing Beam Length	Frame Width	Saddle Height = Dim. A in Figure 2					
			16½"	17½"	18½"	20¼"	22½"	25½"
Autocar	All	34"	60617-601	60617-602	60617-603			
CCC			65078-001	65078-002	65078-003			
Freightliner		34.3"-34.5"	60617-501	60617-502	60617-503			
GM		34.75"		60617-701				
International Truck		34.12" - 34.25"	60617-101		60617-104	60617-103		69681-000
		34.68" - 34.94"						
International Truck with shim	34.5"		60617-201					
Mack	54"	33.5"	64988-301					
	52", 60"		64988-311					
	54"	34.3"	64988-301					
	52", 60"		64988-311					
Oshkosh	34"			65078-003				
Paccar with liner	34"	All	67545-001	67545-002	67545-003			
	34.75"		<i>replaces 65078-001</i>	<i>replaces 65078-002</i>	<i>replaces 65078-003</i>			
Paccar without liner	34"	34.75"	65079-001	65079-002	65079-003			
	34.75"							
Volvo	54"	33.5"	64988-302					
	52", 60", 72.5"		64988-312					
Western Star	All	34"	60617-501	60617-502	60617-503			



■ Production Dual Rebound Straps – Outrigger Applications



- Refer to Page 2 and 3 for equalizing beam part information.
- Refer to Page 5 for Outboard • Inboard Frame Bracket Selection Guides.

KEY NO.	PART NO.	DESCRIPTION	VEHICLE QTY.
		Saddle Assembly Service Kits, One Side,	
	34013-335	HAULMAAX 40K, Includes Key No. 1 and Kit No. 34013-336	
	34013-337	HAULMAAX 46K, Includes Key No. 1 and Kit No. 34013-338	
		Saddle Assembly Fastener Kits, One Side,	
	34013-336	HAULMAAX 40K, Includes Key Nos. 5-6, 11-12, 15-16 (Refer to Page 349 for more information on Key Nos. 12, 22-24)	
	34013-338	HAULMAAX 46K, Includes Key Nos. 5-6, 11-12, 15-16 (Refer to Page 349 for more information on Key Nos. 9-12, 22-24)	
1	79564-000	Saddle Assembly, Vehicles built with Dual Rebound Straps	2
2	60818-001	½"-13 UNC x 1½" Flange Bolt	4
3	60818-002	½"-13 UNC Flange Nut	4
	34013-339	Contact Plate Service Kit, One Side, Includes Key Nos 4-6	
4	59191-004	Load Spring Contact Plate	2
5	67290-001	⅝"-11 UNC x 1½" Flange Bolt	8
6	67291-000	⅝"-11 UNC Flange Nut	8

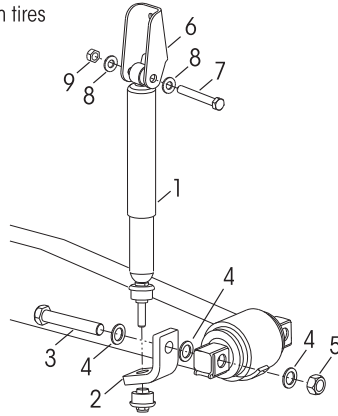
KEY NO.	PART NO.	DESCRIPTION	VEHICLE QTY.
7	60874-000	3⅜" Load Spring Spacer	2
8	60874-001	3¾" Load Spring Spacer	2
	34013-340	Rebound Strap Service Kit, One Side, Includes Key Nos. 9-14	
9		*Rebound Strap	4
10		*Rebound Clip	4
11	60818-002	½"-13 UNC x 2¼" Flange Bolt	8
12	60819-000	½"-13 UNC Flange Nut	8
13	21867-026	¾"-16 UNF x 5½" Bolt	4
14	30191-000	¾"-16 UNF Locknut	4
	34013-341	Progressive Load Spring Service Kit, One Side, Includes Key Nos. 15-17	
15	60818-002	½"-13 UNC x 2¼" Flange Bolt	6
16	60819-000	½"-13 UNC Flange Nut	6
17		*Progressive Load Spring	2
18	59384-005	Load Spring Bracket	2
19	60791-000	Load Spring Shim ¼" Thickness	4
20	60818-002	½"-13 UNC x 2¼" Flange Bolt	4
21	60819-000	½"-13 UNC Flange Nut	4



■ Aftermarket Service Kits

Service Kit Nos.	Saddle Ht.	Aftermarket Shock Absorber Tandem Set
64178-003	16½"	
64178-004	17½"/18½"	For equalizing beams not equipped with lower shock mount
64178-009	16½" (Mack)	

Reference Lit. No. 59310-012
Not available with 315 mm tires

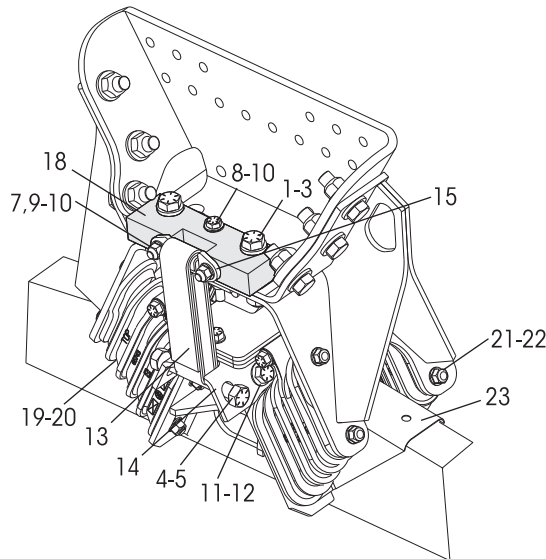


KEY NO.	PART NO.	DESCRIPTION	VEHICLE QTY.
Shock Absorber Service Kit, Tandem Set			
	64178-003	16½" Saddle Height, Includes Key Nos. 1a, 2a-b, 3-9	
	64178-004	17½"/18½" Saddle Height, Includes Key Nos. 1b, 2a-b, 3-9	
	64178-009	16½" Saddle Height - Mack Only, Includes Key Nos. 1c, 2c, 3-9	
1		Shock Absorber Assembly	4
a	60680-004L	16½" Saddle Height	
b	60680-005L	17½"/18½" Saddle Height	
c	60680-006L	16½" Saddle Height - Mack	
2		Lower Shock Bracket	
a	64148-001	Front	2
b	64148-002	Rear (Not Shown)	2
c	64835-000	Mack Only, Front and Rear (Not Shown)	4
3	48941-006	1"-8 UNC x 7" Hex Bolt, <i>Replaces 48941-001</i>	4
4	22962-008	1" Hardened Washer	12
5	48942-000	1"-8 UNC Locknut	4
6	64146-000	Upper Shock Bracket	4
7	32043-005	5/8"-11 UNC x 4½" Hex Bolt	4
8	22962-004	5/8" Hardened Washer	8
9	47764-000	5/8"-11 UNC Locknut	4

Service Kit No.	Rebound Strap Enhancement with Bolster Springs Tandem Set
64179-046	For outrigger applications

Service Kit No.	Rebound Strap Enhancement Tandem Set
64179-045	For outrigger applications

Reference Lit. No. 59310-048



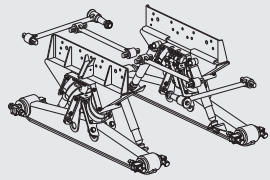
KEY NO.	PART NO.	DESCRIPTION	VEHICLE QTY.
Rebound Strap Enhancement with Bolster Springs Tandem, Includes Key Nos. 1-23			
64179-045 Rebound Strap Enhancement Tandem, Includes Key Nos. 1-18			
1	21867-007	3/4"-16 UNF x 6" Bolt	4
2	30191-000	3/4"-16 UNF Locknut	4
3	22962-001	3/4" Hardened Washer	4
4	50764-016	3/4"-10 UNC x 4" Bolt	4
5	66137-000	3/4"-10 UNC Flange Locknut	4
6	60818-002	1/2"-13 UNC x 2¼" Flange Bolt (Not Shown)	4
7	24531-009	1/2"-13 UNC x 4" Bolt	12
8	24531-014	1/2"-13 UNC x 5" Bolt	2
9	60819-000	1/2"-13 UNC Flange Nut	18
10	22962-011	1/2" Hardened Washer	14
11	67290-001	5/8"-11 UNC x 1 1/2" Flange Bolt	8
12	67291-000	5/8"-11 UNC Flange Nut	8
13	57878-017	Rebound Strap	4
14	59191-002	Load Spring Contact Plate	2
15	60612-000	Rebound Clip	2
16	60874-001	Load Spring Spacer (Not Shown)	2
17	68851-001	Inboard Rebound Support Block (Not Shown)	2
18	69026-000	Outboard Rebound Support Block	2
19		*Tie-bar Bolster Spring	4
20	65742-000	Bolster Spring Spacer	4
21	60818-003	1/2"-13 UNC x 10" Flange Bolt	4
22	60819-000	1/2"-13 UNC Flange Nut	36
23	64890-000	Wear Plate	4

PARTS LISTS

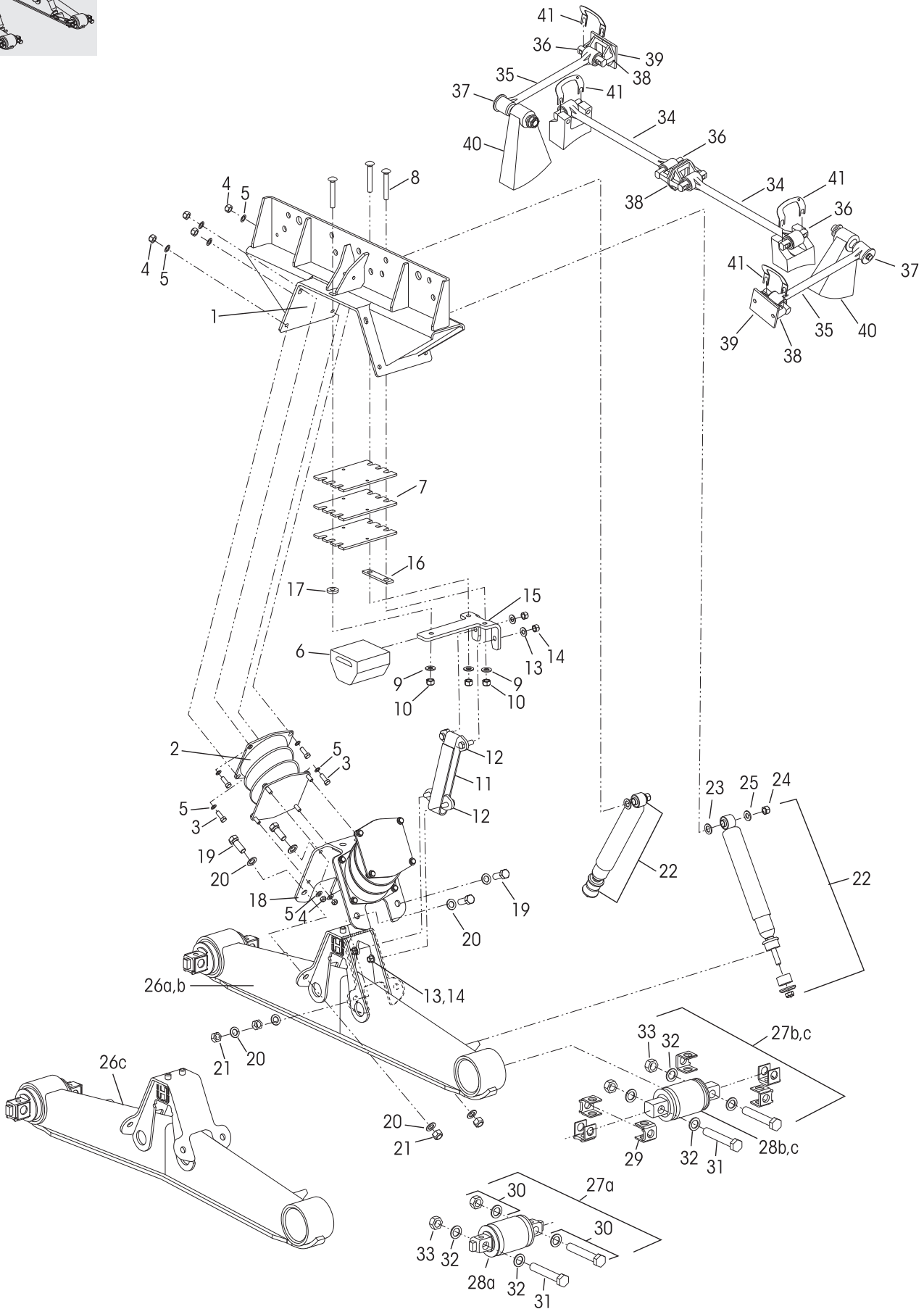


40K • 46K • 52K Capacity

Built after November 2000



PARTS LISTS

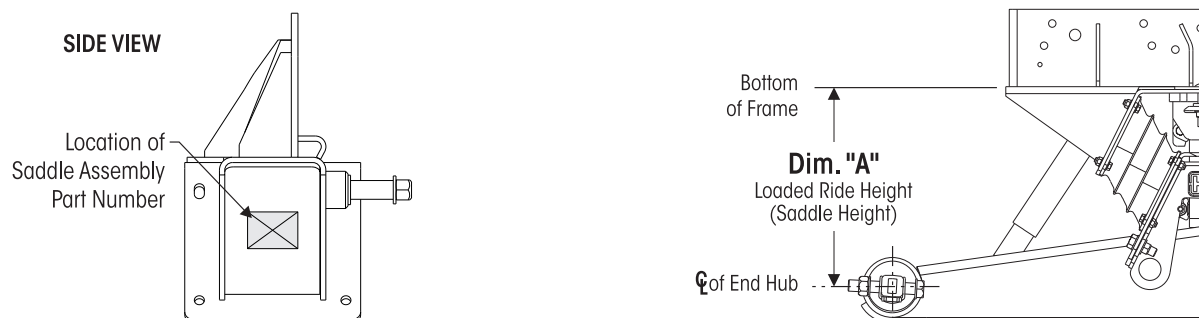




KEY NO.	PART NO.	DESCRIPTION	VEHICLE QTY.	KEY NO.	PART NO.	DESCRIPTION	VEHICLE QTY.
1		Saddle Assembly, <i>see Figure 1 below</i> , <i>Dimension "A" Saddle Height</i> , Includes Key Nos. 2-18 60686-OXX 16½", 17½", or 18½" 58650-OXX 20¼" or 22½" 60879-000L Bolster Spring Service Kit, One Set , (2 pc) Includes Key No. 2	2	27		Bar Pin End Bushing Service Kit, One Wheel End , Non-Shim Type, 28a, 30 a 34013-087L Shim Type, Includes Key No. 28b, 29a-30 b 34013-088L Rotating, Shim Type, 28c, 29a-30 c 34013-188L	4
2		*Bolster Spring	4	28		*Bar Pin End Bushing a Non-Shim Type b Shim Type c Rotating, Shim Type	4
3	25114-011	¾"-20 UNF x 1 ¼" Bolt	32	29		Bar Pin Shim a 50131-000 0.25"/0.12" Standard b 50130-000 0.19"/0.19" Optional c 57026-000 0.375" Optional flat shim	8
4	48949-000	¾"-20 UNF-2B Locknut	32	30	34013-104	Bar Pin End Bushing Fastener Kit, One Wheel End , Includes Key Nos. 31-33	
5	22962-027	¾" Washer	64	31	48941-000	1"-8 UNC x 6" Hex Bolt	8
6	60314-000	Auxiliary Load Spring	2	32	22962-008	1" Hardened Washer	16
7	58960-003L	Auxiliary Load Spring Shim	6	33	48942-000	1"-8 UNC Locknut	8
8	58196-006	½"-13 UNC x 2¾" Round Head Square Neck Bolt <i>Replaces 58196-005</i>	6	34		**One-piece Longitudinal Torque Rod Assembly, Straddle/Straddle, Specify Length in mm ULTRA ROD®, Includes Key No. 36a 62000-XXX Front 1 62001-XXX Rear 1 ULTRA ROD® PLUS™, Includes Key No. 36b 72000-XXX Front 1 72001-XXX Rear 1	
9	22962-011	½" Washer	6	35		***One-piece Transverse Torque Rod Assembly, Straddle/Taper, Specify Length in mm 62350-XXX ULTRA ROD, Includes Key Nos. 36a-37a 72350-XXX ULTRA ROD PLUS, Includes Key Nos. 36b-37b 92350-XXX XTRB, Includes Key Nos. 36c-37c	2
10	49846-000	½"-13 UNC-2A Locknut	6	36		Straddle Bushing a 47691-000L ULTRA ROD b 64400-002L ULTRA ROD PLUS c 66649-002L XTRB	6
11	57878-003	Rebound Strap	2	37		Taper Bushing a 64697-000L ULTRA ROD b 64400-004L ULTRA ROD PLUS c 66649-004L XTRB	2
12	60639-000	Anchor Plate Assembly, Includes Key Nos. 12-14	4			Optional Two-Piece Torque Rod Assembly with Bushings Service Kit 60218-000 ULTRA ROD Straddle/Straddle 60215-000 ULTRA ROD Straddle/Taper 65781-000 ULTRA ROD PLUS Straddle/Taper 65781-001 XTRB Straddle/Straddle 65781-002 XTRB Straddle/Taper	
13		*Anchor Plate	4	38	22186-000	Torque Rod Frame Bracket	4
14		*½" Washer	8	39	45045-003	Back-up Plate (for Torque Rod)	2
15	58948-001	Auxiliary Load Spring Mounting Plate	2	40		****Transverse Rod Axle Bracket	2
16	58949-000	Auxiliary Load Spring Mounting Plate Shim (Inboard - ¼" thick)	2	41	49689-000L	Torque Rod Shim	As Req.
17	22962-020	Outboard Spacer (¼" thick)	2		70867-001	P-80 Lubricant - 10 ml (Not Shown)	Per Bushing 1
18	58343-001	Saddle Vee Bracket	2				
		Vee Bracket Fastener Service Kits, One Side, Includes Key Nos. 19-21 58440-001 58440-002 Axle Set, Includes Key Nos. 19-21					
19	50764-006	¾"-10 UNC-2A x 2" Hex Head Bolt	8				
20	22962-001	¾" Washer	16				
21	49842-000	¾"-10 UNC-2B Locknut	8				
22	60680-003L	Shock Absorber	4				
23	22962-001	¾" Washer	4				
24	30585-000	⅝" Upper Shock Locknut	4				
25	22962-004	⅝" Upper Shock Washer	4				
26		Equalizing Beam Assembly	2				
a	58494-001	46K, 54" Non-Shim Type					
	58494-002	46K, 54" Shim Type					
	58494-005	40K • 46K, 60" Non-Shim Type					
	58494-006	40K • 46K, 60" Shim Type					
	58494-009	40K • 46K, 72½" Non-Shim Type					
	58494-010	40K • 46K, 72½" Shim Type					
b	59973-003	52K, 54" Shim Type					
c	57889-004	40K, 52" Non-Shim Type					
	57889-005	40K, 52" Shim Type					
	57889-001	40K, 54" Non-Shim Type					
	57889-002	40K, 54" Shim Type					

FIGURE 1

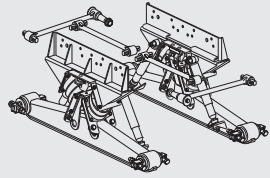
Locate the part number (see sideview) on the saddle assembly, if the saddle assembly number is not legible or available, contact the vehicle manufacturer (be prepared with the vehicle VIN number and saddle height) to request the appropriate part number equipped on the vehicle.



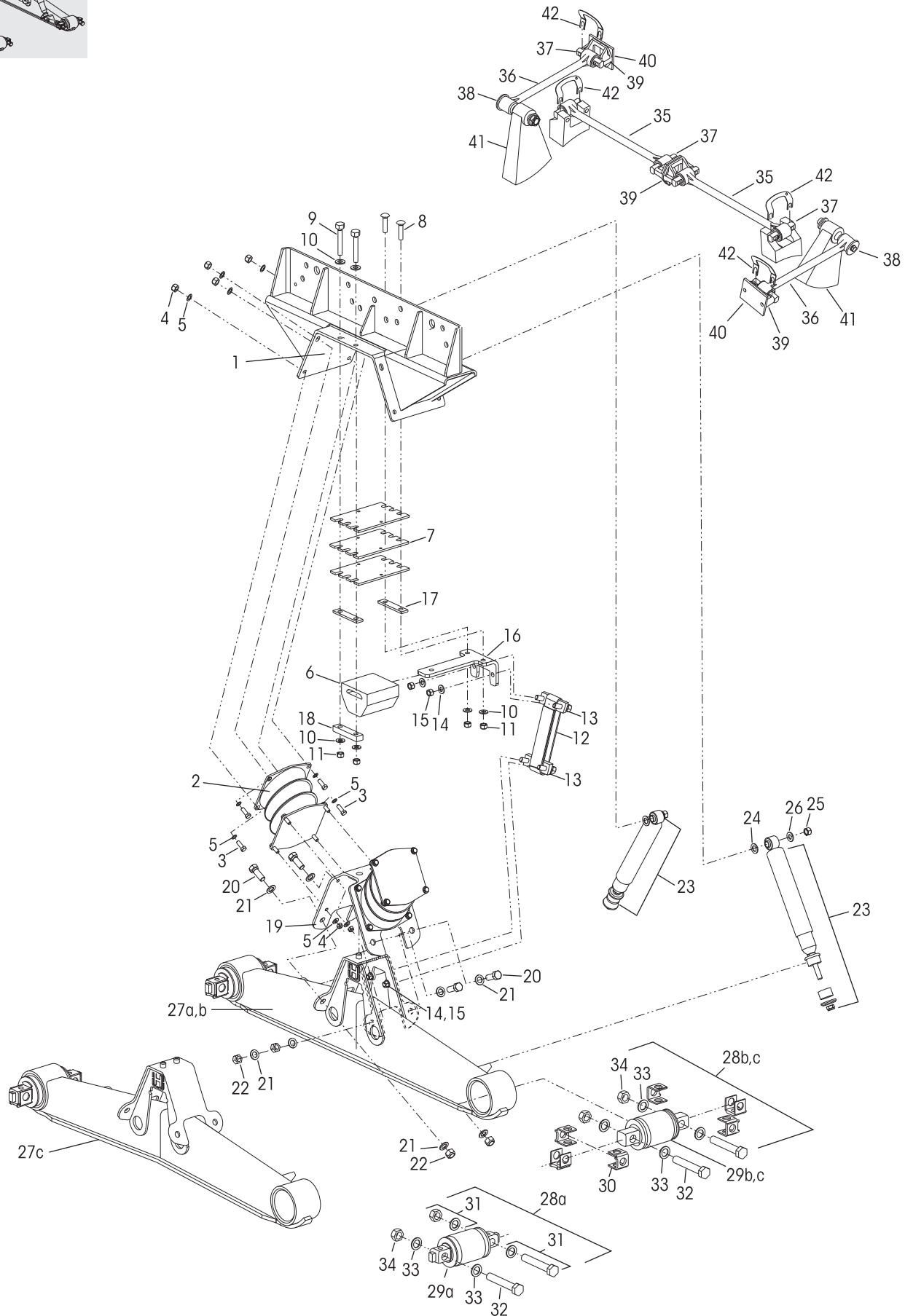


40K • 46K • 52K Capacity

Built between September 1998 and November 2000



PARTS LISTS





KEY NO.	PART NO.	DESCRIPTION	VEHICLE QTY.	KEY NO.	PART NO.	DESCRIPTION	VEHICLE QTY.
1		Saddle Assembly, <i>see Figure 1 on Page 355</i> , Includes Key Nos. 2-19	2	28		Bar Pin End Bushing Service Kit, One Wheel End, Non-Shim Type, 29a, 31	
	60686-0XX	16½", 17½", or 18½"		a	34013-087L	Shim Type Includes Key No. 29b, 30-31	
	58650-0XX	20¼" or 22½"		b	34013-088L	Rotating, Shim Type, 29c, 30-31	
	60879-000L	Bolster Spring Service Kit, One Set, (2 pc) Includes Key No. 2		c	34013-188L		
2		*Bolster Spring	4	29		*Bar Pin End Bushing	4
3	25114-011	7/16"-20 UNF x 1 1/4" Bolt	32	a		Non-Shim Type	
4	48949-000	7/16"-20 UNF-2B Locknut	32	b		Shim Type	
5	22962-027	7/16" Washer	64	c		Rotating, Shim Type	
6	58947-000	Auxiliary Load Spring	2	30		Bar Pin Shim	8
7	58960-001	Auxiliary Load Spring Shim	6	a	50131-000	0.25"/0.12" Standard	
8	58196-004	1/2"-13 UNC x 2 1/4" Round Head Bolt	4	b	50130-000	0.19"/0.19" Optional	
9	24531-016	1/2"-13 UNC x 3 1/2" Bolt	4	c	57026-000	0.375" Optional flat shim	
10	22962-011	1/2" Washer	12	31	34013-104	Bar Pin End Bushing Fastener Kit, One Wheel End, Includes Key Nos. 32-34	
11	49846-000	1/2"-13 UNC-2A Locknut	8	32	48941-000	1"-8 UNC x 6" Hex Bolt	8
12	57878-003	Rebound Strap	2	33	22962-008	1" Hardened Washer	16
13	60639-000	Anchor Plate Assembly, Includes Key Nos. 14-15 <i>Replaces 59779-000</i>	4	34	48942-000	1"-8 UNC Locknut	8
14		*1/2" Washer	8	35		**One-piece Longitudinal Torque Rod Assembly, Straddle/Straddle, Specify Length in mm ULTRA ROD, Includes Key No. 37a	
15		*1/2"-13 UNC-2A Locknut	8		62000-XXX	Front	1
16	58948-001	Auxiliary Load Spring Mounting Plate <i>Replaces 58948-000</i>	2		62001-XXX	Rear	1
17	58949-000	1/4" Auxiliary Load Spring Mounting Plate Shim	4			ULTRA ROD PLUS, Includes Key No. 37b	
18	58524-000	7/8" Rebound Strap Mounting Plate	2		72000-XXX	Front	1
19	58343-001	Saddle Vee Bracket <i>Replaces 58343-000</i>	2		72001-XXX	Rear	1
		Vee Bracket Fastener Service Kit, One Side, Includes Key Nos. 20-22 Axle Set, Includes Key Nos. 20-22		36		***One-piece Transverse Torque Rod Assembly, Straddle/Taper, Specify Length in mm ULTRA ROD, Includes Key Nos. 37a-38a ULTRA ROD PLUS, Includes Key Nos. 37b-38b XTRB, Includes Key Nos. 37c-38c	2
	58440-001				62350-XXX		
	58440-002				72350-XXX		
20	50764-006	3/4"-10 UNC-2A x 2" Hex Head Bolt	8		92350-XXX		
21	22962-001	3/4" Washer	16	37		Straddle Bushing	6
22	49842-000	3/4"-10 UNC-2B Locknut	8	a	47691-000L	ULTRA ROD	
23	60680-003L	Shock Absorber	4	b	64400-002L	ULTRA ROD PLUS	
24	22962-001	3/4" Washer	4	c	66649-002L	XTRB	
25	30585-000	5/8" Upper Shock Locknut	4	38		Taper Bushing	2
26	22962-004	5/8" Upper Shock Washer	4	a	64697-000L	ULTRA ROD	
27		Equalizing Beam Assembly	2	b	64400-004L	ULTRA ROD PLUS	
				c	66649-004L	XTRB	
a		46K, 54" Non-Shim Type				Optional Two-Piece Torque Rod Assembly with Bushings Service Kit ULTRA ROD Straddle/Straddle ULTRA ROD Straddle/Taper ULTRA ROD PLUS Straddle/Taper XTRB Straddle/Straddle XTRB Straddle/Taper	
	58494-002	46K, 54" Shim Type			60218-000		
	58494-005	40K • 46K, 60" Non-Shim Type			60215-000		
	58494-006	40K • 46K, 60" Shim Type			65781-000		
	58494-009	40K • 46K, 72½" Non-Shim Type			65781-001		
	58494-010	40K • 46K, 72½" Shim Type			65781-002		
b	59973-003	52K, 54" Shim Type		39	22186-000	Torque Rod Frame Bracket	4
c	57889-004	40K, 52" Non-Shim Type		40	45045-003	Back-up Plate (for Torque Rod)	2
	57889-005	40K, 52" Shim Type		41		****Transverse Rod Axle Bracket	2
	57889-001	40K • 46K, 54" Non-Shim Type		42	49689-000L	Torque Rod Shim	As Req.
	57889-002	40K • 46K, 54" Shim Type			70867-001	P-80 Lubricant - 10 ml (Not Shown)	Per Bushing 1

NOTES: Equalizing beam axle brackets for drive axles are supplied by the axle manufacturer.

* Item included in kit/assembly only, part not sold separately.

** Hendrickson's part number is stamped on the torque rod for identification. Be sure to include the suffix number when ordering, this number indicates torque rod length, The Hendrickson 2-Piece torque rods can be used to create the desired length, see Torque Rod Selection Guide 45745-148.

*** Transverse torque rods are mandatory for the HN suspensions regardless of axle spacing, see Literature No. 59310-004 and 59310-058 for more information.

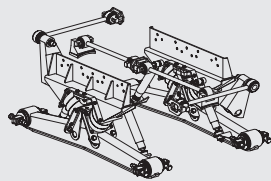
**** Not supplied by Hendrickson, used for reference only. Hendrickson is not responsible for components supplied by the vehicle manufacturer. For assistance with maintenance and rebuild instructions on these components see vehicle manufacturer.

Hendrickson HAULMAAX/HN Gauge Literature number 48422-546 (Bolster Spring) can be obtained on-line at www.hendrickson-intl.com/Litform

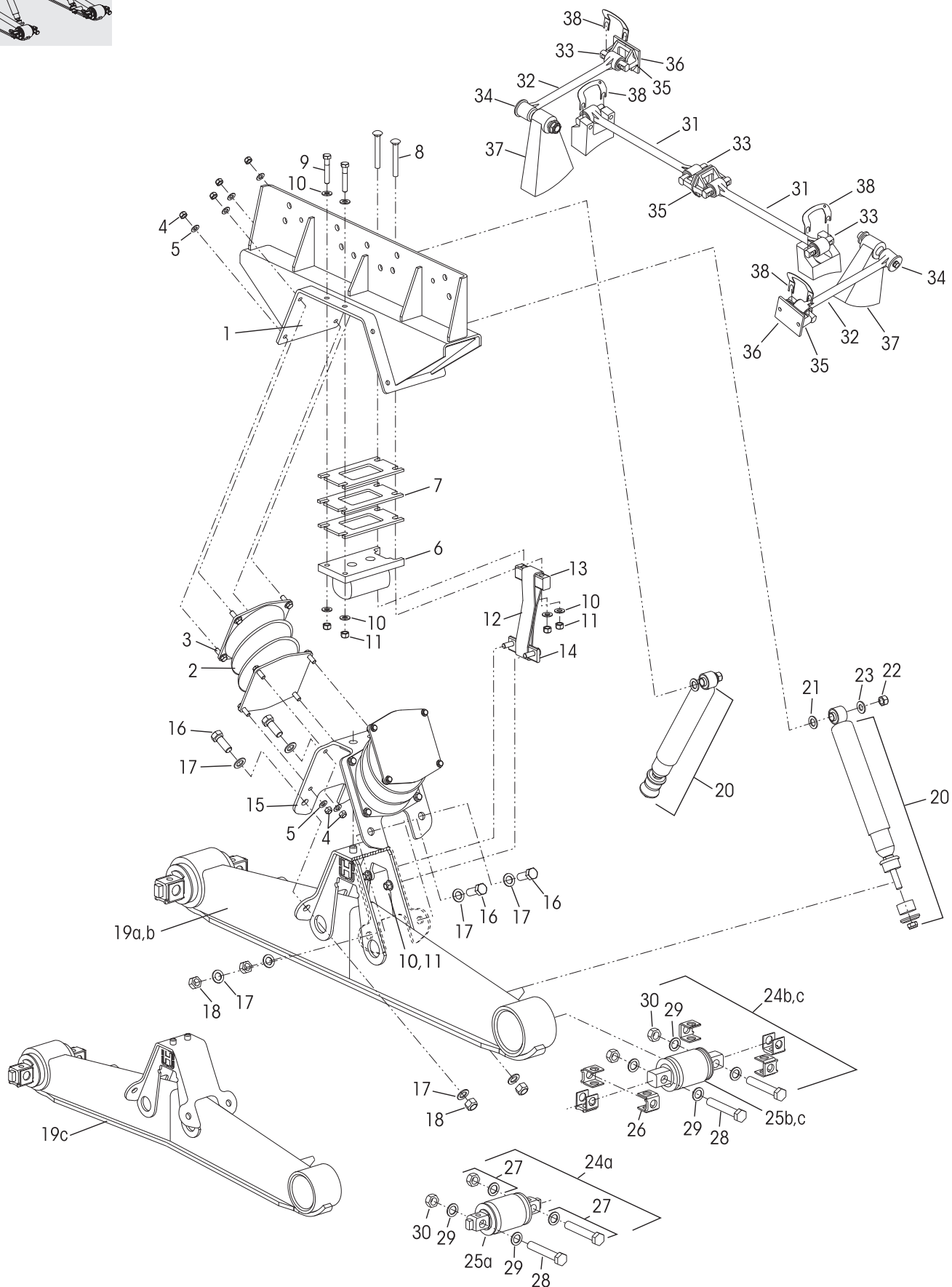


40K • 46K • 52K Capacity

Built between April 1996 and August 1998



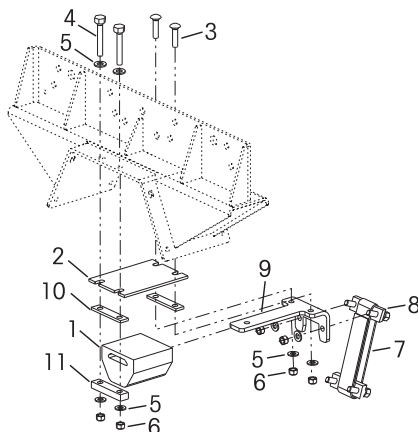
PARTS LISTS





KEY NO.	PART NO.	DESCRIPTION	VEHICLE QTY.	KEY NO.	PART NO.	DESCRIPTION	VEHICLE QTY.
1		Saddle Assembly, <i>see Figure 1 on Page 355</i> , Includes Key Nos. 2-15 60686-OXX 16½", 17½", or 18½" 58650-OXX 20¼" or 22½" 60879-000L Bolster Spring Service Kit, One Set , (2 pc) Includes Key No. 2	2	25		*Bar Pin End Bushing a Non-Shim Type b Shim Type c Rotating, Shim Type	4
2		*Bolster Spring	4	26		Bar Pin Shim a 50131-000 0.25"/0.12" Standard b 50130-000 0.19"/0.19" Optional c 57026-000 0.375" Optional flat shim	8
3	25114-011	¾"-20 UNF x 1 ¼" Bolt	32	27	34013-104	Bar Pin End Bushing Fastener Kit, One Wheel End , Includes Key Nos. 28-30	
4	48949-000	¾"-20 UNF-2B Locknut	32	28	48941-000	1"-8 UNC x 6" Hex Bolt	8
5	22962-027	¾" Washer	64	29	22962-008	1" Hardened Washer	16
6		Auxiliary Load Spring (58189-000 no longer available, <i>see conversion kit 57974-011 below</i>)	2	30	48942-000	1"-8 UNC Locknut	8
7	57993-002	Auxiliary Load Spring Shim	6	31		**One-piece Longitudinal Torque Rod Assembly, Straddle/Straddle, Specify Length in mm ULTRA ROD, Includes Key No. 33a 62000-XXX Front 1 62001-XXX Rear 1 ULTRA ROD PLUS, Includes Key No. 33b 72000-XXX Front 1 72001-XXX Rear 1	
8	58196-002	½"-13 UNC-2A x 3 ½" Round Head Bolt	4	32		***One-piece Transverse Torque Rod Assembly, Straddle/Taper, Specify Length in mm ULTRA ROD, Includes Key Nos. 33a-34a 72350-XXX ULTRA ROD PLUS, Includes Key Nos. 33b-34b 92350-XXX XTRB, Includes Key Nos. 33c-34c	2
9	24531-017	½"-13 UNC-2A x 2 ¼" Hex Head Bolt	4	33		Straddle Bushing a 47691-000L ULTRA ROD b 64400-002L ULTRA ROD PLUS c 66649-002L XTRB	6
10	22962-011	½" Washer	16	34		Taper Bushing a 64697-000L ULTRA ROD b 64400-004L ULTRA ROD PLUS c 66649-004L XTRB	2
11	49846-000	½"-13 UNC-2A Locknut	12			Optional Two-Piece Torque Rod Assembly with Bushings Service Kit 60218-000 ULTRA ROD Straddle/Straddle 60215-000 ULTRA ROD Straddle/Taper 65781-000 ULTRA ROD PLUS Straddle/Taper 65781-001 XTRB Straddle/Straddle 65781-002 XTRB Straddle/Taper	
12	57878-003	Rebound Strap	2	35	22186-000	Torque Rod Frame Bracket	4
13	58524-000	Rebound Strap Mounting Plate	2	36	45045-003	Back-up Plate (for Torque Rod)	2
14	60639-000	Anchor Plate Assembly, Includes Fasteners <i>Replaces 59779-000</i>	2	37		****Transverse Rod Axle Bracket	2
15	58343-001	Saddle Vee Bracket	2	38	49689-000L Torque Rod Shim As Req. 70867-001 P-80 Lubricant - 10 ml (Not Shown) Per Bushing 1		
		Vee Bracket Fastener Service Kit, One Side , Includes Key Nos. 16-18 58440-001 58440-002 Axle Set , Includes Key Nos. 16-18					
16	50764-006	¾"-10 UNC-2A x 2" Hex Head Bolt	8				
17	22962-001	¾" Washer	16				
18	49842-000	¾"-10 UNC-2B Locknut	8				
19		Equalizing Beam Assembly	2				
a	58494-001	46K, 54" Non-Shim Type					
	58494-002	46K, 54" Shim Type					
	58494-005	40K • 46K, 60" Non-Shim Type					
	58494-006	40K • 46K, 60" Shim Type					
	58494-009	40K • 46K, 72½" Non-Shim Type					
	58494-010	40K • 46K, 72½" Shim Type					
b	59973-003	52K, 54" Shim Type					
c	57889-004	40K, 52" Non-Shim Type					
	57889-005	40K, 52" Shim Type					
	57889-001	40K • 46K, 54" Non-Shim Type					
	57889-002	40K • 46K, 54" Shim Type					
20	60680-003L	Shock Absorber	4				
21	22962-001	¾" Washer	4				
22	30585-000	⅝" Locknut	4				
23	22962-004	⅝" Washer	4				
24		Bar Pin End Bushing Service Kit, One Wheel End , a 34013-087L Non-Shim Type, 25a, 27 b 34013-088L Shim Type, Includes Key No. 25b, 26a-27 c 34013-188L Rotating, Shim Type, 25c, 26a-27					

Auxiliary Spring Conversion Kit No. 57974-011 (4/96-8/98)

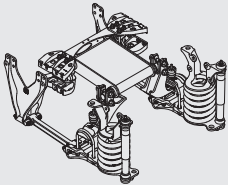


Axle Set – Includes Key Nos. 1-11

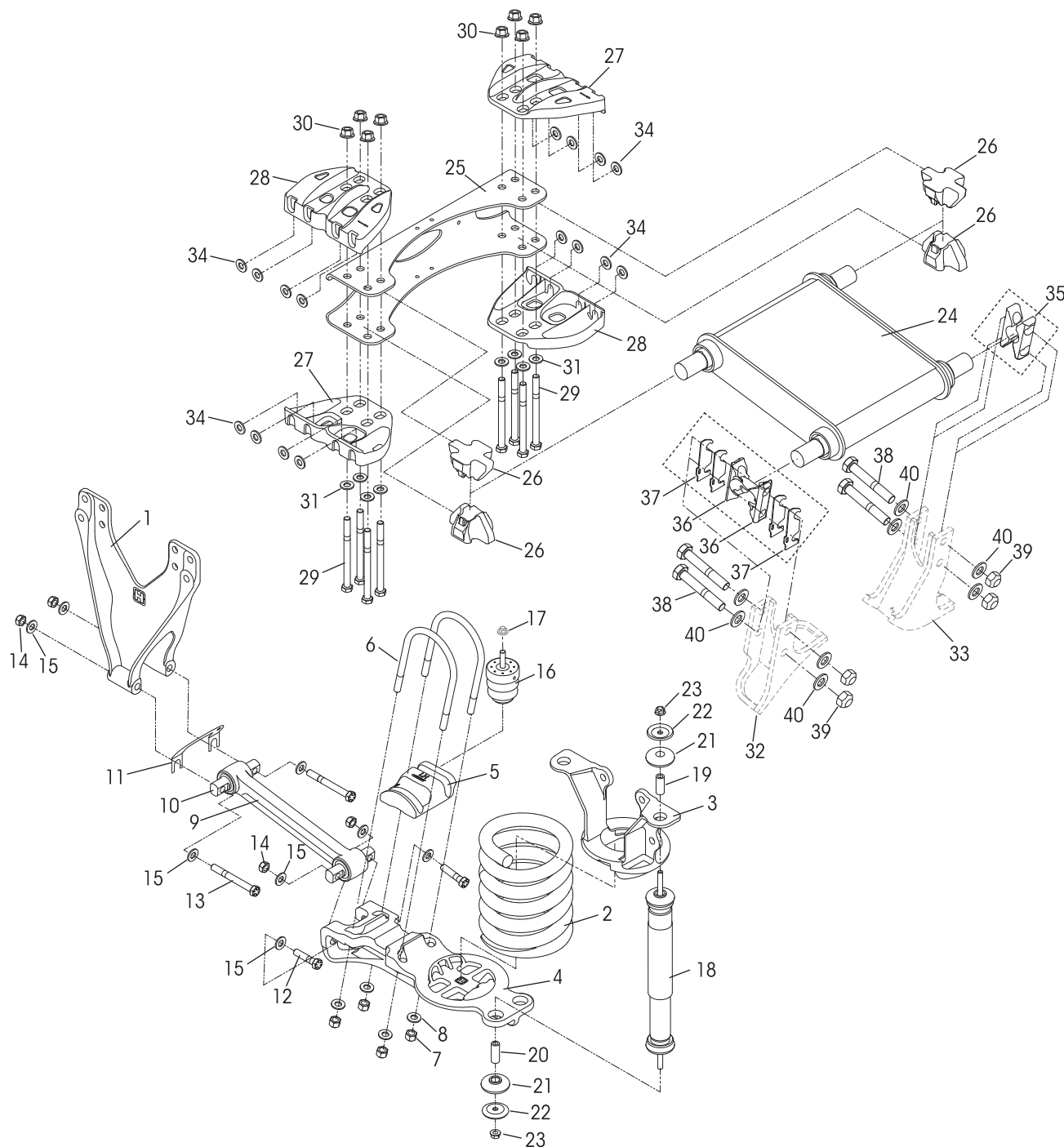
	QTY.
1	2
2	2
3	4
4	4
5	14
6	14
7	2
8	4
9	2
10	4
11	4



UFO Motorhome Chassis



PARTS LISTS





KEY NO.	PART NO.	DESCRIPTION	VEHICLE QTY.	KEY NO.	PART NO.	DESCRIPTION	VEHICLE QTY.
1	66512-000	Frame Hanger	2	21		**Rubber Isolator	4
2	66319-000	Coil Spring – 17.5K	2	22		**Retaining Washer	4
3	66315-000	Coil Spring Hanger	2	23		**M12 Flange Locknut	4
4	66317-000	Lower Coil Spring Bracket	2		66513-002	Torque Box Cross Member Assembly, Includes Key Nos. 24-31	1
5		Axle Top Pad		24	64785-005	Torque Box, Replaces 64785-004	1
	66316-001	Left Hand	1	25	67478-000	Cross Member C-Channel <i>Replaces 64970-000</i>	1
	66316-002	Right Hand	1	26	65144-000	Cross Member Bar Pin Clamp (Aluminum)	4
	58821-022	Axle Clamp Fastener Kit, Axle Set, Includes Key Nos. 6-8				Cross Member Gusset	
6	66323-000	5/8"-18 UNF x 9.45" U-bolt	4	27	66503-001	RH Top, LH Bottom	2
7	66897-000	5/8"-18 UNF U-bolt Tall Nut	8	28	66503-002	LH Top, RH Bottom	2
8	22962-004	5/8" Hardened Flat Washer	8	29	32043-016	5/8"-11 UNC x 8" Hex Bolt	8
9	48411-015	Torque Rod Assembly, Includes Key No.10	2	30	66637-000	5/8"-11 UNC Flange Locknut <i>Replaces 47764-000</i>	8
10	47691-000L	****Torque Rod Bushing	4	31	22962-004	5/8" Hardened Flat Washer	8
11	57856-000	1/32" Torque Rod Shim (as required)	4	32		*Torque Box Axle Bracket - Dana (Short)	1
	49176-027	Torque Rod Fastener Kit, Axle Set, Includes Key Nos. 12-15		33		*Torque Box Axle Bracket - Dana (Long)	1
12	32043-002	5/8"-11 UNC x 2 3/4" Hex Bolt	4	34	22962-004	5/8" Hardened Flat Washer	16
13	32043-019	5/8"-11 UNC x 5 1/2" Hex Bolt	4	35	66174-000L	***Non-Adjustable Axle Bracket Bar Pin Clamp	2
14	47764-000	5/8"-11 UNC Locknut	8	36	66274-000	***Adjustable Axle Bracket Bar Pin Clamp	2
15	22962-004	5/8" Hardened Flat Washer	16	37	65737-001	***Axle Bracket Shims	4
16	66308-001	Auxiliary Bumper	2		66027-002	Torque Box Axle Fastener Kit, Axle Set, Includes Key Nos. 38-40	
17		*M10 Flanged Locknut	2	38	58917-003	3/4"-10 UNC x 5 1/2" Hex Bolt	4
	60961-149	Shock Absorber Service Kit, One Side, Includes Key Nos. 18-23		39	49842-000	3/4"-10 UNC Locknut	4
18		**Shock Absorber Assembly	2	40	22962-001	3/4" Hardened Flat Washer	8
		M12 Stud Mount, Includes Key Nos. 19-20		Not Shown	70867-001	P-80 Lubricant - 10 ml.	per Bushing 1
19		**Upper Shock Spacer Length 1 5/16"	2				
20		**Lower Shock Spacer Length 2 3/16"	2				

NOTES: * Not supplied by Hendrickson, used for reference only. Hendrickson is not responsible for components supplied by the vehicle manufacturer. For assistance with maintenance and rebuild instructions on these components see vehicle manufacturer.

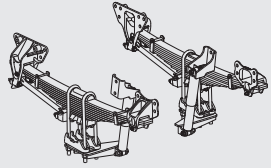
** Item included in kit/assembly only, part not sold separately.

*** In the aftermarket, it is acceptable to replace the non-adjustable axle bracket bar pin clamp (Key No. 35) with the adjustable bar pin clamp and axle bracket shims (Key Nos. 36 and 37).

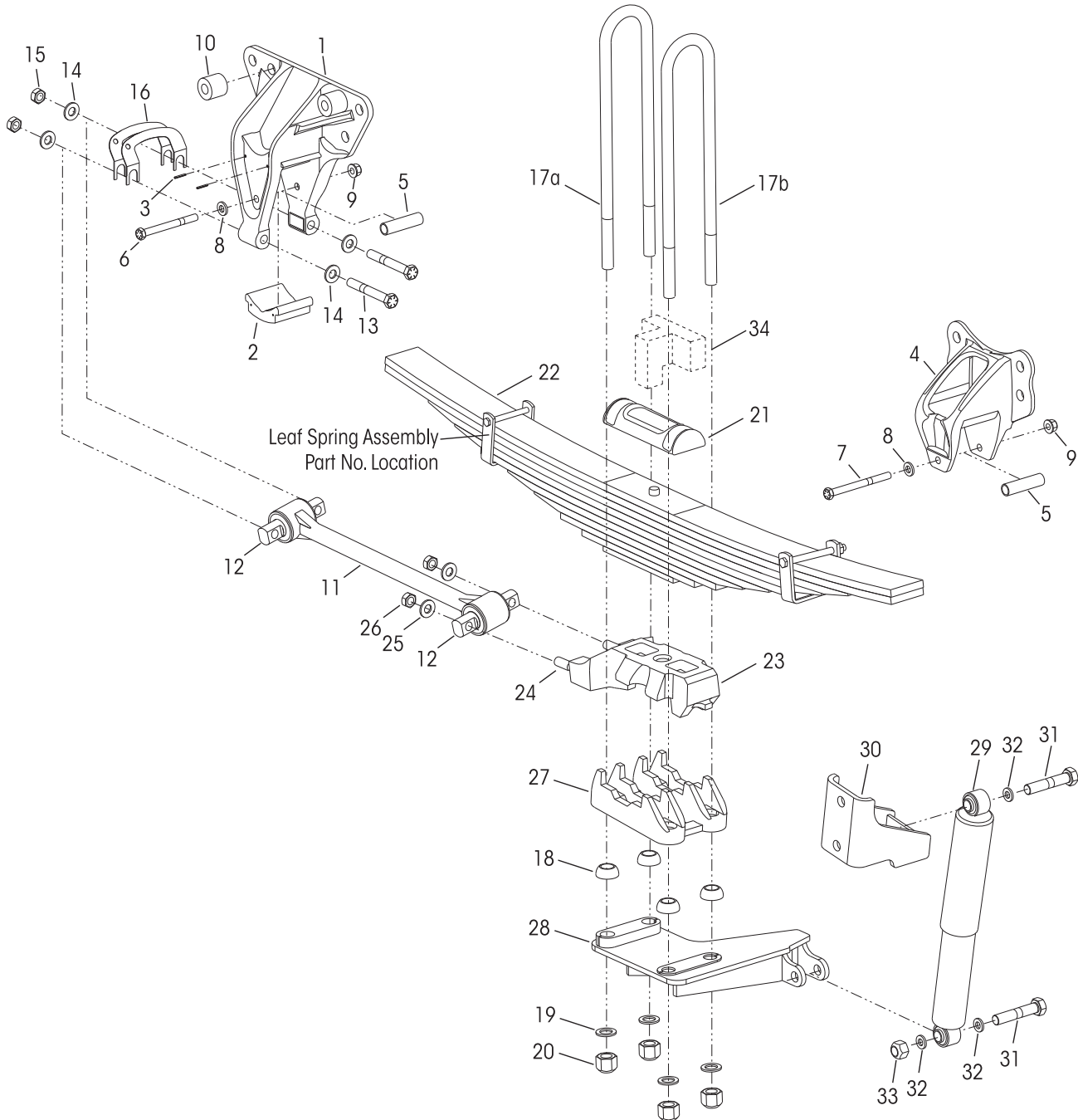
**** HTB torque rod bushing replacement can be done using the Hendrickson Funnel Tool Part No. 66086-000L.



21K • 23K Capacity



PARTS LISTS



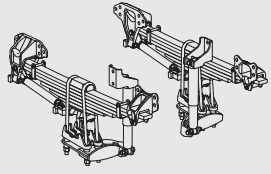


KEY NO.	PART NO.	DESCRIPTION	VEHICLE QTY.	KEY NO.	PART NO.	DESCRIPTION	VEHICLE QTY.
1	58425-001	Front Hanger Assembly, Includes Key Nos. 2-3	2		48718-157	U-bolt Fastener Service Kit, Per Side, Includes Key Nos. 18-20	
	56557-005	Slipper Pad Service Kit, One Hanger, Includes Key Nos. 2-3		18	48574-000	7/8" Spherical Washer	8
2	56929-000	Slipper Pad	2	19	22962-002	7/8" Flat Washer	8
3	58287-001	Retainer Lock Pin	4	20	50765-000	7/8"-14 UNF-2B Nut	8
4	50028-001	Rear Hanger	2	21	48797-000	Top Pad	2
	49175-032	Front and Rear Rebound Roller Service Kit, Axle Set, Includes Key Nos. 5-9		22		Leaf Spring Assembly	2
5	58631-000	Rebound Roller	4		53292-000	21K	
6	24531-015	1/2"-13 UNC-2B x 5 1/2" Hex Bolt	2		53692-000	23K Sweeper	
7	24531-014	1/2"-13 UNC-2B x 5" Hex Bolt	2		53693-000	23K Refuse	
8	22962-014	1/2" Flat Washer	4	23	50970-005	Spring Seat Assembly, Includes Key Nos. 24-26	2
9	60819-000	1/2"-13 UNC-2B Flange Nut	4	24	50918-000	5/8"-11 UNC Stud	4
10	59946-001	Spacer	4	25	22962-004	5/8" Flat Washer	4
11	62044-505	ULTRA ROD® Longitudinal Torque Rod Assembly, Includes Key No. 12	2	26	47764-000	5/8"-11 UNC Locknut	4
12	47691-000L	ULTRA ROD Torque Rod Bushing	4	27	50216-000	Axle Bottom Cap	2
	49176-007	Longitudinal Torque Rod Fastener Service Kit, Axle Set, Includes Key Nos. 13-15, 24-26		28		Lower Shock Bracket	
	50754-023	Single Front Hanger Fastener Service Kit, Includes Key Nos. 13-15			67556-003	21K Left Hand	1
13	32043-005	5/8"-11 UNC x 4 1/2" Hex Bolt	4		67556-004	21K Right Hand	1
14	22962-004	5/8" Flat Washer	8		67556-005	23K Left Hand	1
15	47764-000	5/8"-11 UNC Locknut	4		67556-006	23K Right Hand	1
16	49689-000L	Torque Rod Shim	As Req.	29	60665-025L	Shock Absorber	2
17		7/8"-14 UNF- 2A U-bolt		30	67530-000	Upper Shock Bracket	2
a	47417-010	19" Front	2		69588-004	Upper and Lower Shock Absorber Fastener Service Kit, Axle Set, Includes Key Nos. 31-33	
b	47417-014	22 1/2" Rear	2	31	50764-004	3/4"-10 UNC x 3 3/4" Hex Bolt	4
				32	22962-001	3/4" Washer	6
				33	49842-000	3/4"-10 UNC Locknut	2
				34		*Bump Stop	2

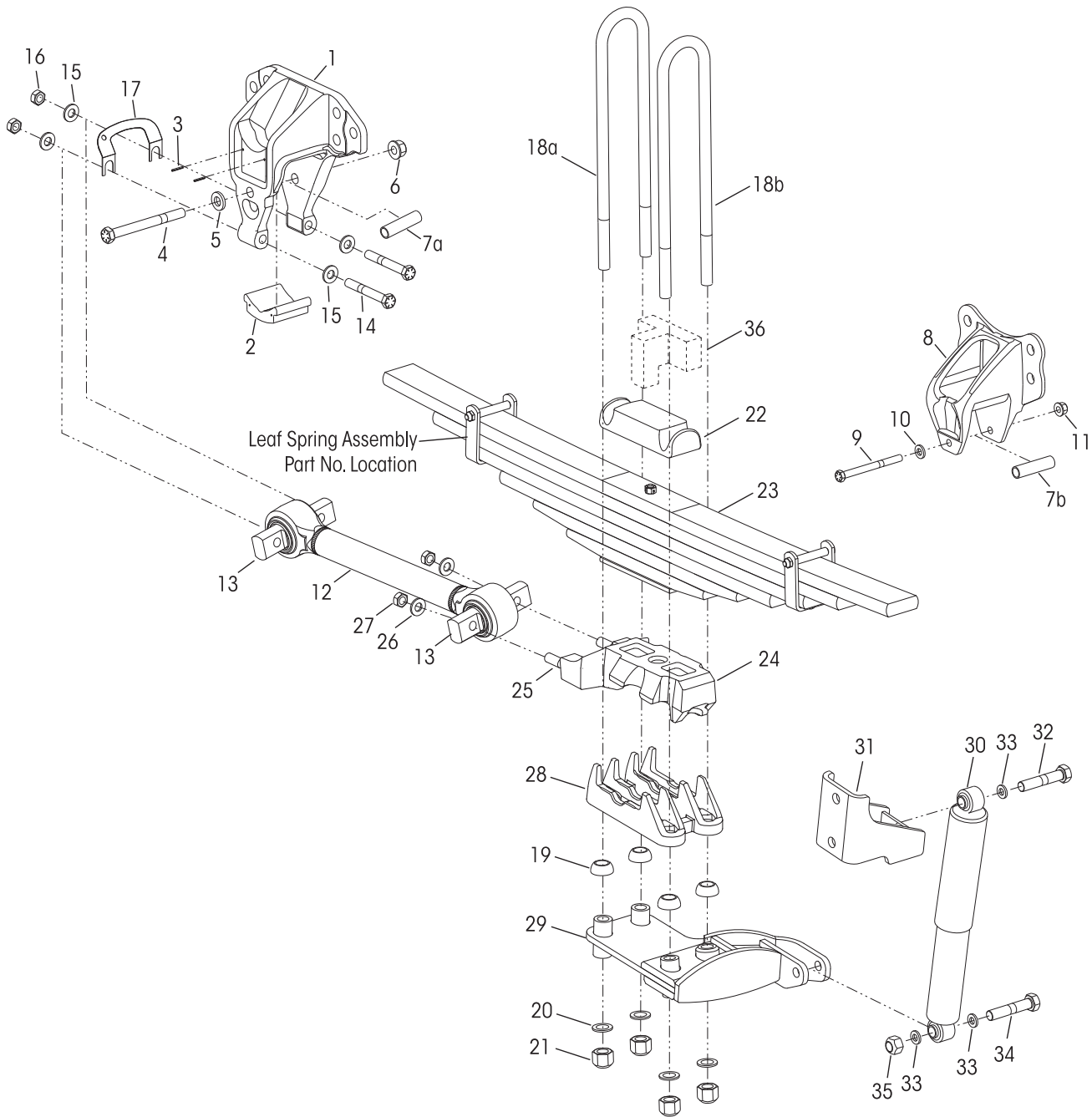
NOTE: * Not supplied by Hendrickson, used for reference only. Hendrickson is not responsible for components supplied by the vehicle manufacturer. For assistance with maintenance and rebuild instructions on these components see vehicle manufacturer.



26K Capacity



PARTS LISTS



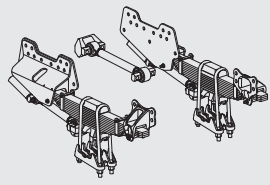


KEY NO.	PART NO.	DESCRIPTION	VEHICLE QTY.	KEY NO.	PART NO.	DESCRIPTION	VEHICLE QTY.
1	58425-008	Front Hanger Assembly, Includes Key Nos. 2-3	2		48718-157	U-bolt Fastener Service Kit, Per Side, Includes Key Nos. 19-21	
	56557-005	Slipper Pad Service Kit, One Hanger Includes Key Nos. 2-3		19	48574-000	7/8" Spherical Washer	8
2	56929-000	Slipper Pad	2	20	22962-002	7/8" Flat Washer	8
3	58287-001	Retainer Lock Pin	4	21	50765-000	7/8"-14 UNF-2B Nut	8
		Rebound Roller Service Kits, Axle Set,		22	56805-002	Top Pad	2
a	49175-037	Front Hanger, Includes Key Nos. 4-6, 7a		23	53793-000	Leaf Spring Assembly	2
b	49175-038	Rear Hanger, Includes Key Nos. 7b, 9-11		24		Spring Seat Assembly, Includes Key Nos. 25-27	2
4	58917-008	3/4"-10 UNC x 6" Hex Bolt	2		50988-026	Left Hand 5°	
5	22962-001	3/4" Flat Washer	2		50988-027	Right Hand 5°	
6	66137-000	3/4"-10 UNC Flange Nut	2	25	50918-000	5/8"-11 UNC Stud	4
7		Rebound Roller		26	22962-004	5/8" Flat Washer	4
a	59598-000	Front Hanger	2	27	47764-000	5/8"-11 UNC Locknut	4
b	58631-000	Rear Hanger	2	28		Axle Bottom Cap	
8	50028-002	Rear Hanger	2		58424-002	Left Hand	1
9	24531-014	1/2"-13 UNC-2B x 5" Hex Bolt	2		58424-001	Right Hand	1
10	22962-014	1/2" Flat Washer	2	29		Lower Shock Bracket	
11	60819-000	1/2"-13 UNC-2B Flange Nut	2		78018-001	Left Hand	1
12	92407-500	XTRB Longitudinal Torque Rod Assembly, Includes Key No. 13	2		78018-002	Right Hand	1
13	66649-002L	XTRB Torque Rod Bushing	4	30	60665-025L	Shock Absorber	2
14	32043-005	5/8"-11 UNC x 4 1/2" Hex Bolt	4	31	67530-000	Upper Shock Bracket	2
15	22962-004	5/8" Flat Washer	8		65118-005	Shock Absorber Fastener Service Kit, Axle Set Includes Key Nos. 32-35	
16	47764-000	5/8"-11 UNC Locknut	4	32	50764-004	3/4"-10 UNC x 3 3/4" Hex Bolt	2
17	49689-000L	Torque Rod Shim	As Req.	33	22962-001	3/4" Washer	6
18		7/8"-14 UNF- 2A U-bolt		34	50764-010	3/4"-10 UNC x 4 1/4" Hex Bolt	2
a	47417-015	22" Front	2	35	49842-000	3/4"-10 UNC Locknut	2
b	47417-014	22 1/2" Rear	2	36		*Bump Stop	2

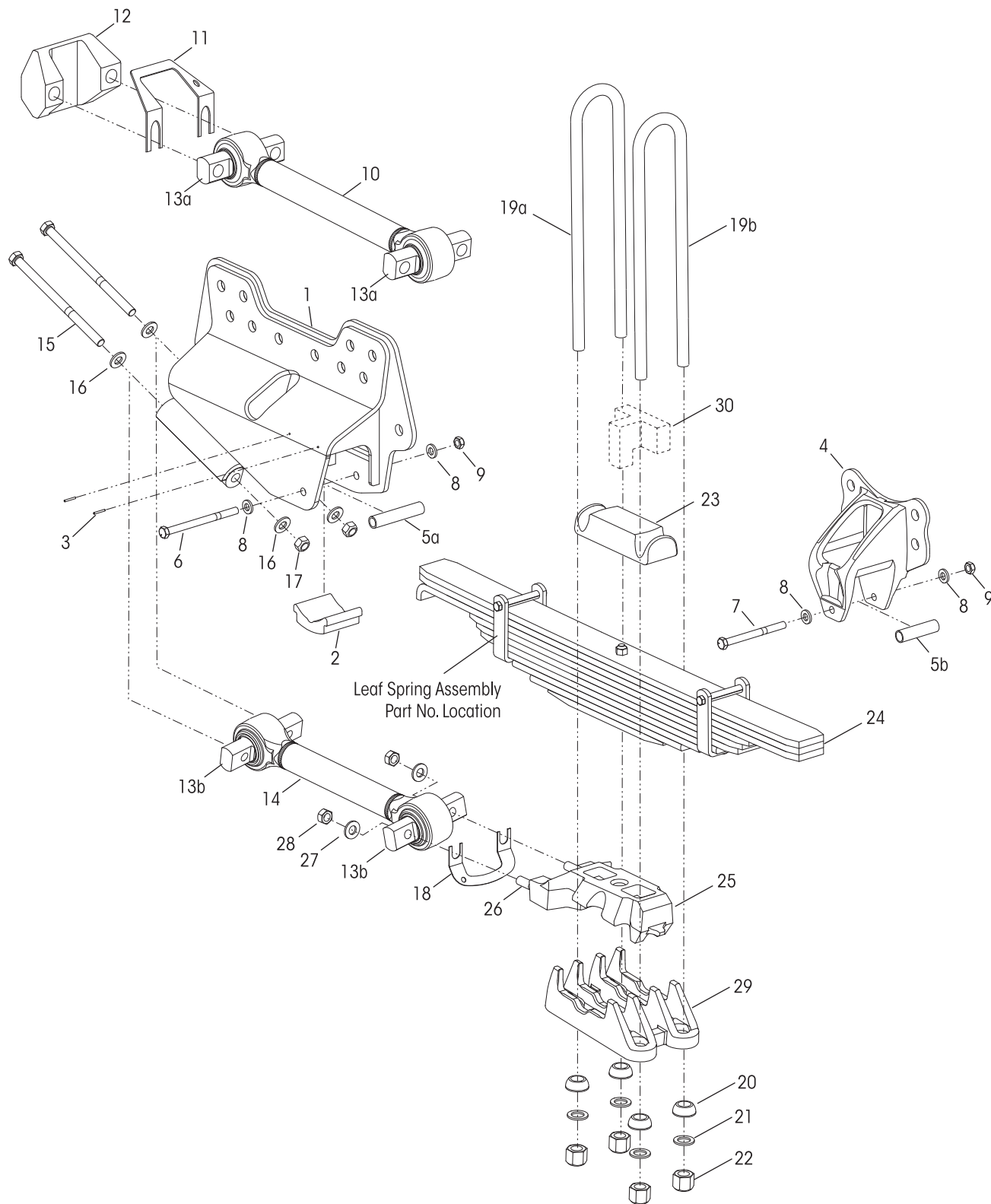
NOTE: * Not supplied by Hendrickson, used for reference only. Hendrickson is not responsible for components supplied by the vehicle manufacturer. For assistance with maintenance and rebuild instructions on these components see vehicle manufacturer.



31K Capacity



PARTS LISTS





KEY NO.	PART NO.	DESCRIPTION	VEHICLE QTY.	KEY NO.	PART NO.	DESCRIPTION	VEHICLE QTY.
1		Front Hanger Assembly, Includes Key Nos. 2-3		15	32043-013	5/8"-11 UNC x 10" Hex Bolt	4
	70628-001	Left Hand	1	16	22962-004	5/8" Flat Washer	8
	70628-002	Right Hand	1	17	47764-000	5/8"-11 UNC Locknut	4
	56557-005	Slipper Pad Service Kit, One Hanger, Includes Key Nos. 2-3		18	49689-000L	Lower Torque Rod Shim	As Req.
2	56929-000	Slipper Pad	2	19		7/8"-1 1/4 UNF-2A U-bolt	
3	58287-001	Retainer Lock Pin	4	a	47417-003	1 7/8" Front	2
4	50028-002	Rear Hanger	2	b	47417-010	1 9" Rear	2
		Rebound Roller Service Kits, Axle Set			48718-157	U-bolt Fastener Service Kit, Per Side Includes Key Nos. 20-22	
	49175-035	Front Hanger, Includes Key Nos. 5a, 6, 8-9		20	48574-000	7/8" Spherical Washer	8
	49175-036	Rear Hanger, Includes Key Nos. 5b, 7-9		21	22962-002	7/8" Flat Washer	8
5		Rebound Roller		22	50765-000	7/8"-1 1/4 UNF-2B Nut	8
a	77852-001	Front Hanger	2	23	56805-002	Top Pad	2
b	57988-000	Rear Hanger	2	24	53134-000	Leaf Spring Assembly	2
6	24531-005	1/2"-13 UNC-2B x 6 1/2" Hex Bolt	2	25		Spring Seat Assembly, Includes Key Nos. 26-28	2
7	24531-015	1/2"-13 UNC-2B x 5 1/2" Hex Bolt	2		50988-025	Left Hand	
8	22962-014	1/2" Flat Washer	8		50988-024	Right Hand	
9	49846-000	1/2"-13 UNC-2B Flange Nut	4	26	50918-000	5/8"-1 1/4 UNC Stud	4
10	72100-535	Upper Torque Rod Assembly, ULTRA ROD® PLUS™ Includes Key No. 13a	1	27	22962-004	5/8" Flat Washer	4
11	67779-002	Upper Torque Rod Shim	As Req.	28	47764-000	5/8"-1 1/4 UNC Locknut	4
12	46015-000	Upper Torque Rod Bracket	1	29		Axle Bottom Cap	
13		Torque Rod Bushing - Straddle			58424-004	Left Hand	1
a	64400-003L	ULTRA ROD PLUS	2		58424-000	Right Hand	1
b	66649-002L	XTRB	4	30		*Bump Stop	2
14	92446-430	Lower Torque Rod Assembly, XTRB, Includes Key No. 13b	2				

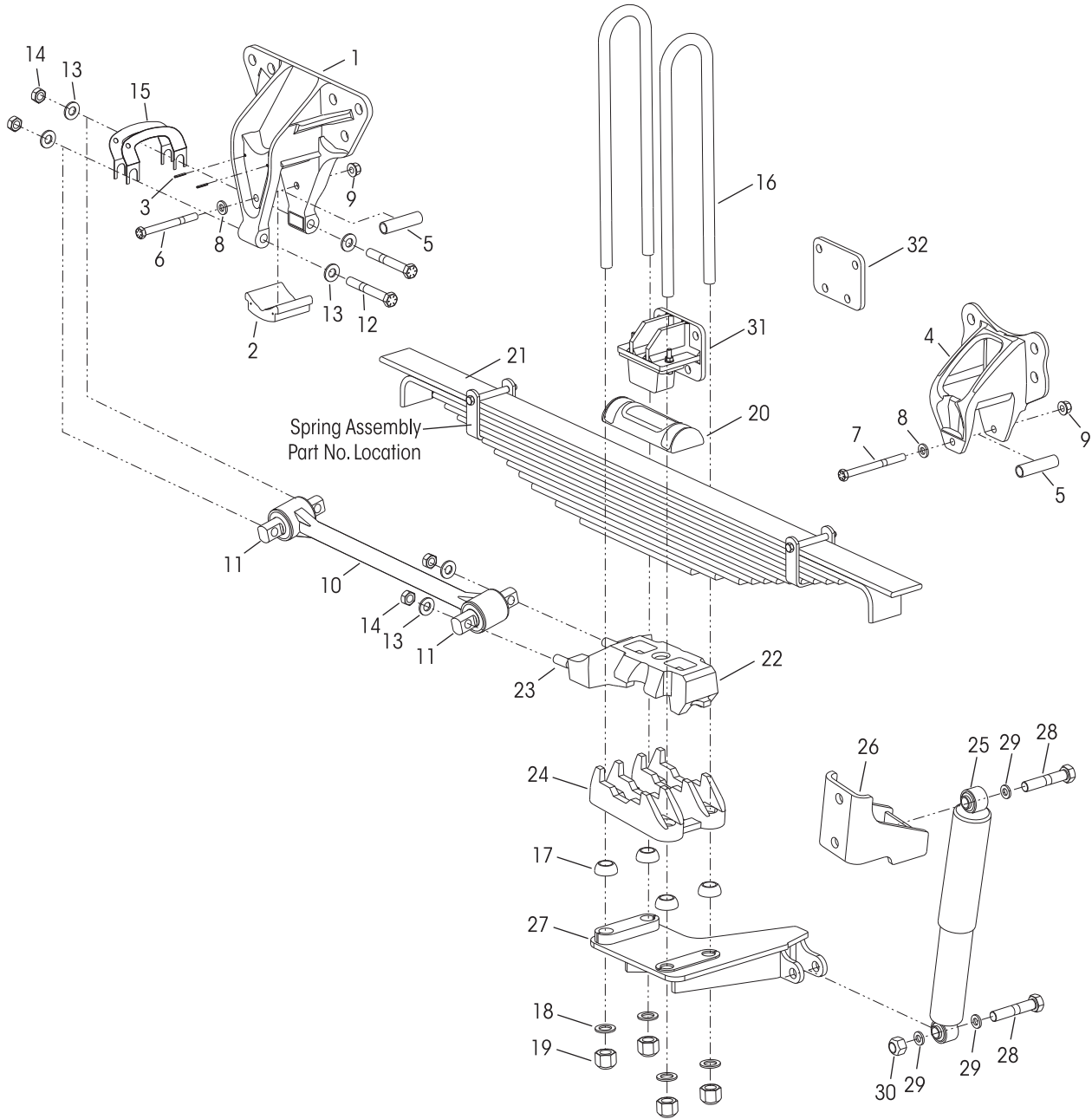
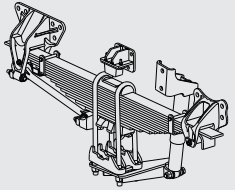
NOTE: * Not supplied by Hendrickson, used for reference only. Hendrickson is not responsible for components supplied by the vehicle manufacturer. For assistance with maintenance and rebuild instructions on these components see vehicle manufacturer.



21K Capacity

Type C School Bus

PARTS LISTS



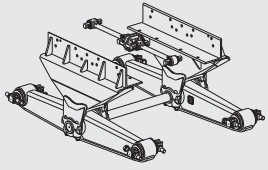


KEY NO.	PART NO.	DESCRIPTION	VEHICLE QTY.
1	58425-001	Front Spring Hanger Assembly, Includes Key Nos. 2-3	2
2	56929-000	Slipper Pad	2
3	58287-001	Retainer Lock Pin	4
4	50028-001	Rear Spring Hanger	2
5	58631-000	Rebound Roller	4
6	24531-015	½"-13 UNC-2B x 5½" Hex Bolt	2
7	24531-014	½"-13 UNC-2B x 5" Hex Bolt	2
8	22962-014	½" Flat Washer	4
9	60819-000	½"-13 UNC-2B Flange Nut	4
10	62001-495	Longitudinal Torque Rod Assembly, Includes Key No. 11	2
11	47691-000L	Torque Rod Bushing	4
12	32043-005	⅝"-11 UNC x 4½" Hex Bolt	4
13	22962-004	⅝" Flat Washer	12
14	47764-000	⅝"-11 UNC Locknut	8
15	49689-000L	Torque Rod Shim	As Req.
	48718-149	U-bolt Fastener Service Kit, Axle Set, Includes Key Nos. 16-19	
16	47417-010	⅞"-14 UNF- 2A x 19" U-bolt	4
17	48574-000	⅞" Spherical Washer	8

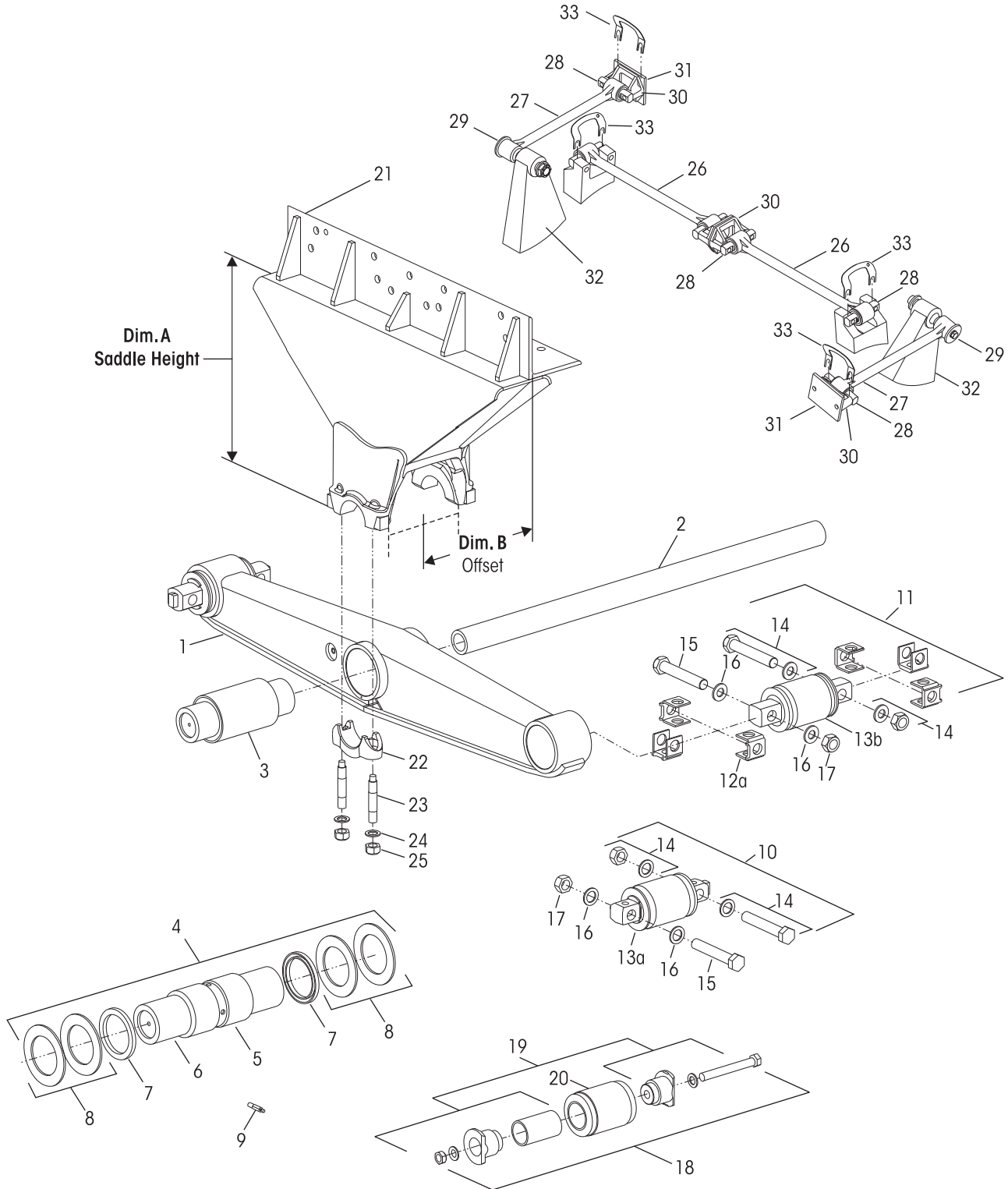
KEY NO.	PART NO.	DESCRIPTION	VEHICLE QTY.
18	22962-002	⅞" Flat Washer	8
19	50765-000	⅞"-14 UNF-2B Nut	8
20	48797-000	Top Pad	2
21	53192-000	Spring Assembly	2
22		Spring Seat Assembly, Includes Key Nos. 13-14, 23	2
	50970-031	2.5° for Diesel	
	50970-031	5.5° for Electric	
23	50918-000	⅝"-11 UNC Stud	4
24	50216-000	Axle Bottom Cap	2
25	60665-025L	Shock Absorber	2
26	67530-000	Upper Shock Bracket	2
27		Lower Shock Bracket	
	67556-003	Left Hand	1
	67556-004	Right Hand	1
28	50764-004	¾"-10 UNC x 3¾" Hex Bolt	4
29	22962-001	¾" Washer	6
30	49842-000	¾"-10 UNC Nut	2
31	69883-000	Bump Stop Assembly	2
32	69877-001	Backing Plate	2

PARTS LISTS

40K • 46K Capacity



PARTS LISTS





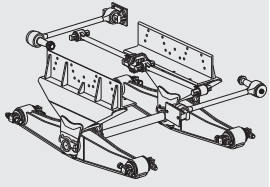
VEHICLE			VEHICLE				
KEY NO.	PART NO.	DESCRIPTION	QTY.	KEY NO.	PART NO.	DESCRIPTION	QTY.
1		Equalizing Beam Assembly <i>See Selection Guide 45745-147</i>	2	20	45900-000L	Rubber End Bushing	4
2		Cross Tube, <i>see Selection Guide on Page 378</i>	1	21		Saddle Assembly, Includes Key Nos. 22-25 <i>See Table 1 below</i>	2
3		Rubber Center Bushing, Requires Transverse Rods 2 <i>See Center Bushing End Plug Selection Guide on Page 378</i>	2	22	58795-000	Saddle Cap	4
	49400-000L	40K Welded End Plug		23	06696-000	7/8"-1.4 UNF Saddle Cap Stud	8
	49600-000L	40K with Loose End Plug		24	22962-002	7/8" Hardened Washer	8
	29483-005L	46K Optional for 40K		25	04842-000	7/8"-1.4 UNF Saddle Cap Locknut	8
	34013-097L	with Loose End Plug, Optional for 46K		26		***One-piece Longitudinal Torque Rod Assembly, Straddle/Straddle, Specify Length in mm ULTRA ROD®, Includes Key No. 28a	
4	30437-000L	Bronze Center Bushing Service Kit, Two Beams, Includes Key Nos. 5-9, <i>see Center Bushing End Plug Selection Guide on Page 378</i>			62000-XXX	Front	1
					62001-XXX	Rear	1
						ULTRA ROD® PLUS™, Includes Key No. 28b	
5	30240-002L	Bronze Center Bushing	2		72000-XXX	Front	1
6	14685-000L	Beam Center Sleeve	2		72001-XXX	Rear	1
7	30334-000	Beam Center Seal	4	27		****One-piece Transverse Torque Rod Assembly, Straddle/Taper, Specify Length in mm	2
8	32365-000	Thrust Washer	8		62350-XXX	ULTRA ROD, Includes Key Nos. 28a-29a	
9	30087-000	Grease Fitting	As Req.		72350-XXX	ULTRA ROD PLUS, Includes Key Nos. 28b-29b	
					92350-XXX	XTRB, Includes Key Nos. 28c-29c	
10	34013-087L	Bar Pin End Bushing Kit, One Wheel End Non-Shim Type, Includes Key Nos. 13a, 14		28		Straddle Bushing	6
11	34013-088L	Shim Type, Includes Key Nos. 12a, 13b, 14		a	47691-000L	ULTRA ROD	
	34013-188L	Rotating Shim Type, (Not Shown) Includes Key Nos. 12a, 13c, 14		b	64400-002L	ULTRA ROD PLUS	
				c	66649-002L	XTRB	
12		Bar Pin Shim	8	29		Taper Bushing	2
a	50131-000	0.25"/0.12" Standard		a	64697-000L	ULTRA ROD	
b	50130-000	0.19"/0.19" Optional		b	64400-004L	ULTRA ROD PLUS	
c	57026-000	0.375" Optional flat shim		c	66649-004L	XTRB	
13		**Bar Pin End Bushing	4			Two-Piece Torque Rod Assembly with Bushings Service Kit	
a		Non-Shim Type			60218-000	ULTRA ROD Straddle/Straddle	
b		Shim Type			60215-000	ULTRA ROD Straddle/Taper	
c		Rotating, Shim Type (Not Shown)			65781-000	ULTRA ROD PLUS Straddle/Taper	
14	34013-104	Bar Pin End Bushing Fastener Kit, One Wheel End, Includes Key Nos. 15-17			65781-001	XTRB Straddle/Straddle	
					65781-002	XTRB Straddle/Taper	
15		**1"-8 UNC x 6" Hex Bolt	8	30	22186-000	Torque Rod Bracket	4
16		**1" Hardened Washer	16	31	45045-003	Back-up Plate (for Torque Rod)	2
17		**1"-8 UNC Locknut	8	32		*Transverse Rod Axle Bracket	2
18		Rubber End Bushing and Adapter Service Kit, One Wheel End		33	49689-000L	Torque Rod Shim	As Req
	34013-049L	40K, Includes Key Nos. 19a, 20		Not Shown	70867-001	P-80 Lubricant - 10 ml per Rubber Bushing	1
	34013-073L	46K, Includes Key Nos. 19b, 20					
19		Adapter without Bushing Service Kit, One Wheel End					
a	45000-007L	40K					
b	21140-034L	46K					

TABLE 1

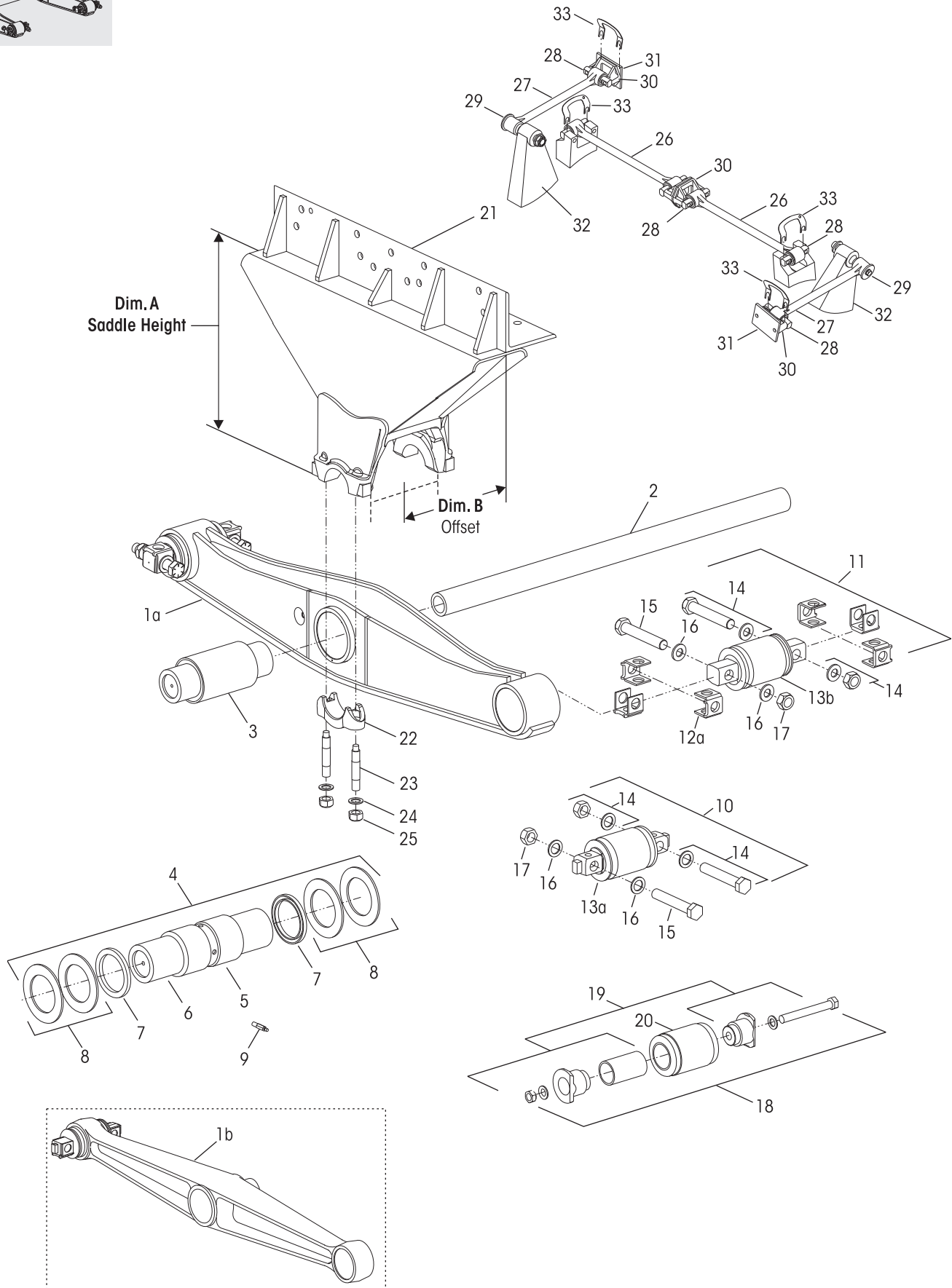
Key No. 21		Saddle Assembly R 40K • 46K						
Dim. A Saddle Height	Dim. B Offset	Part Number	Dim. A Saddle Height	Dim. B Offset	Part Number	Dim. A Saddle Height	Dim. B Offset	Part Number
12¾"	23 mm	50207-003	16½"	13.5 mm	50207-017	18"	23 mm	50207-013
15¾"	14.3 mm	50207-038		23 mm	50207-011	19"	30.2 mm	50207-032
		50207-039		29.6 mm	50207-040			50207-010
	23 mm	49197-024	17½"	14.3 mm	50207-023	20½"	23 mm	50207-016
		50207-001		50207-034	50207-037			
		50207-005		17.5 mm	50207-029	23.8 mm	50207-027	
		50207-024		23 mm	50207-002	21½"	23 mm	50207-028
50207-035	50207-006	22"	19.1 mm		50207-025			
23.8 mm	50207-041	50207-020						
				50207-036				
			30.2 mm	50207-008				



48K • 52K Capacity



PARTS LISTS





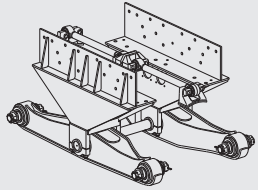
KEY NO.	PART NO.	DESCRIPTION	VEHICLE QTY.	KEY NO.	PART NO.	DESCRIPTION	VEHICLE QTY.
1		Equalizing Beam Assembly <i>See Selection Guide 45745-147</i>	2	20		End Bushing	4
a		Fabricated Beam		29878-001L		48K, 5¾" Length	
b		Cast Beam		45407-000L		52K, 6" Length	
2		Cross Tube, <i>see Selection Guide on Page 378</i>	1	21		Saddle Assembly, Includes Key Nos. 22-25 <i>See Table 1 below</i>	2
	44643-XXX	48K, Specify Length		22	58795-000	Saddle Cap	4
	07622-XXX	52K, Specify Length		23	06696-000	⅞"-14 UNF Stud	8
3		Rubber Center Bushing, Requires Transverse Rods <i>See Center Bushing End Plug Selection Guide on Page 378</i>	2	24	22962-002	⅞" Hardened Washer	8
	29483-005L	Welded End Plug		25	04842-000	⅞"-14 UNF Locknut	8
	34013-097L	with Loose End Plug		26		***One-piece Longitudinal Torque Rod Assembly, Straddle/Straddle, Specify Length in mm ULTRA ROD, Includes Key No. 28a	
4	30437-000L	Bronze Center Bushing Kit, Two Beams, Includes Key Nos. 5-9, <i>see Center Bushing End Plug Selection Guide on Page 378</i>			62000-XXX	Front	1
					62001-XXX	Rear	1
5	30240-002L	Bronze Center Bushing	2		72000-XXX	ULTRA ROD PLUS, Includes Key No. 28b	
6	14685-000L	Beam Center Sleeve	2		72001-XXX	Front	1
7	30334-000	Beam Center Seal	4			Rear	1
8	32365-000	Thrust Washer	8	27		****One-piece Transverse Torque Rod Assembly, Straddle/Taper, Specify Length in mm ULTRA ROD, Includes Key Nos. 28a-29a	2
9	30087-000	Grease Fitting	As Req.		62350-XXX	ULTRA ROD PLUS, Includes Key Nos. 28b-29b	
					72350-XXX	ULTRA ROD PLUS, Includes Key Nos. 28b-29b	
					92350-XXX	XTRB, Includes Key Nos. 28c-29c	
10	34013-087L	Bar Pin End Bushing Kit, One Wheel End, Non-Shim Type, Includes Key Nos. 13a, 14		28		Straddle Bushing	6
11	34013-088L	Shim Type, Includes Key Nos. 12a, 13b, 14		a	47691-000L	ULTRA ROD	
	34013-188L	Rotating Shim Type, (Not Shown) Includes Key Nos. 12a, 13c, 14		b	64400-002L	ULTRA ROD PLUS	
				c	66649-002L	XTRB	
12		Bar Pin Shim	8	29		Taper Bushing	2
a	50131-000	0.25"/0.12" Standard		a	64697-000L	ULTRA ROD	
b	50130-000	0.19"/0.19" Optional		b	64400-004L	ULTRA ROD PLUS	
c	57026-000	0.375" Optional flat shim		c	66649-004L	XTRB	
13		**Bar Pin End Bushing	4			Two-Piece Torque Rod Assembly with Bushings Service Kit	
a		Non-Shim Type			60218-000	ULTRA ROD Straddle/Straddle	
b		Shim Type			60215-000	ULTRA ROD Straddle/Taper	
c		Rotating, Shim Type (Not Shown)			65781-000	ULTRA ROD PLUS Straddle/Taper	
14	34013-104	Bar Pin End Bushing Fastener Kit, One Wheel End, Includes Key Nos. 15-17			65781-001	XTRB Straddle/Straddle	
15		**1"-8 UNC x 6" Hex Bolt	8		65781-002	XTRB Straddle/Taper	
16		**1" Hardened Washer	16	30	22186-000	Torque Rod Bracket	4
17		**1"-8 UNC Locknut	8	31	45045-003	Back-up Plate (for Torque Rod)	2
18		End Bushing and Adapter Kit, One Wheel End,		32		*Transverse Rod Axle Bracket	2
	34013-050L	48K, Includes Key Nos. 19a, 20		33	49689-000L	Torque Rod Shim	As Req.
	34013-051L	52K, Includes Key Nos. 19b, 20		Not Shown	70867-001	P-80 Lubricant - 10 ml per Rubber Bushing	1
19		End Bushing Adapter Kit, One Wheel End,					
a	21140-034L	48K • 52K, for 5¾" Bushing					
b	21140-033L	52K, for 6" Bushing					

TABLE 1

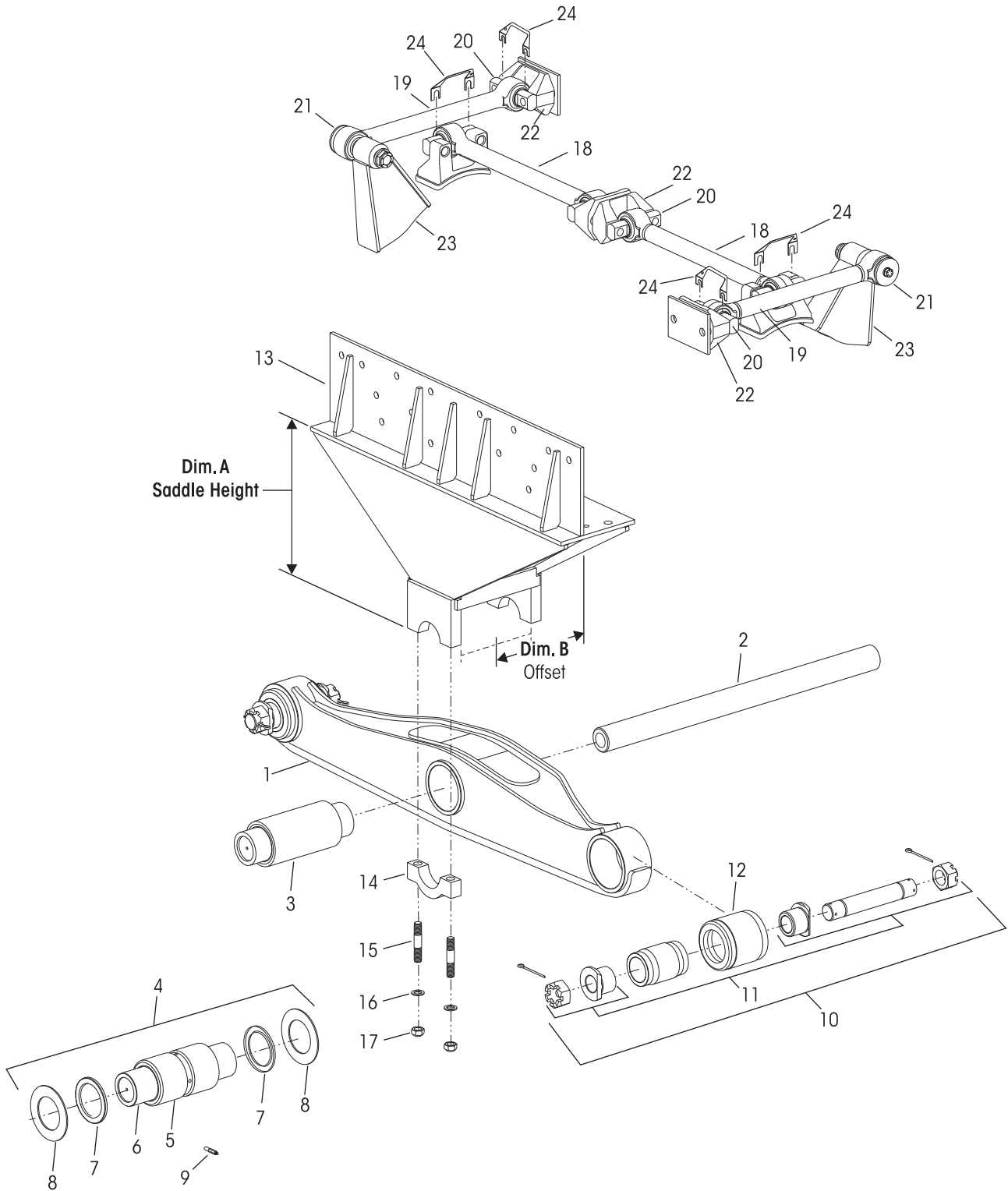
Key No. 21		Saddle Assembly R 48K • 52K			
Dim. A Saddle Height	Dim. B Offset	Part Number	Dim. A Saddle Height	Dim. B Offset	Part Number
12⅞"	23 mm	50210-003	15⅞"	23 mm	50210-001
15½"	23 mm	50210-006	16⅞"	23 mm	50210-005
		50210-008	17"	17.5 mm	50210-001
			17⅞"	23 mm	50210-002



65K Capacity



PARTS LISTS





KEY NO.	PART NO.	DESCRIPTION	VEHICLE QTY.	KEY NO.	PART NO.	DESCRIPTION	VEHICLE QTY.
1		Equalizing Beam Assembly <i>See Selection Guide 45745-147</i>	2	14	31205-005	Saddle Cap	4
2		Cross Tube, <i>see Selection Guide on Page 378</i>	1	15	06696-000	7/8"-14 UNF Stud	8
3	10366-000L	Rubber Center Bushing	2	16	22962-002	7/8" Hardened Washer	8
4		Bronze Center Bushing Kit , Includes Key Nos. 5-9		17	04842-000	7/8"-14 UNF Locknut	8
	45374-000	Two Beams		18		***One-piece Longitudinal Torque Rod Assembly, Straddle/Straddle, Specify Length in mm	2
	34013-055L	One Beam			72100-XXX	ULTRA ROD PLUS, Includes Key No. 20a	
5	30240-005	Bronze Center Bushing	2	19		****One-piece Transverse Torque Rod Assembly, Straddle/Taper, Specify Length in mm	2
6	25102-000	Beam Center Sleeve	2		72850-XXX	ULTRA ROD PLUS, Includes Key Nos. 20a-21a	
7	31577-000	Beam Center Seal	4		92950-XXX	XTRB, Includes Key Nos. 20b-21b	
8	45261-000	Thrust Washer	4	20		Straddle Bushing	6
9	30087-000	Grease Fitting	As Req.	a	64400-003L	ULTRA ROD PLUS	
10		Rubber End Bushing and Adapter Service Kit, Tandem Set,		b	66649-003L	XTRB	
	34013-052L	for 6" Bushing, Includes Key Nos. 11a, 12a		21		Taper Bushing	2
	34013-110L	for 7" Bushing, Includes Key Nos. 11b, 12b		a	64400-006L	ULTRA ROD PLUS	
11		End Bushing Adapter Kit, One Wheel End,		b	66649-004L	XTRB	
a	21140-007	6" Length		22	46015-000	Torque Rod Bracket	4
b	21140-004L	7" Length		23		*Transverse Torque Rod Axle Bracket	2
12		End Bushing	4	24	67779-002	Torque Rod Shim	As Req.
a	10363-000L	6" Length		Not Shown	70867-001	P-80 Lubricant - 10 ml per Rubber Bushing	1
b	10364-000L	7" Length					
13		Saddle Assembly, Includes Key Nos. 14-17 <i>See Table 1 below</i>	2				

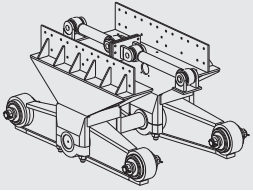
TABLE 1

Key No. 13

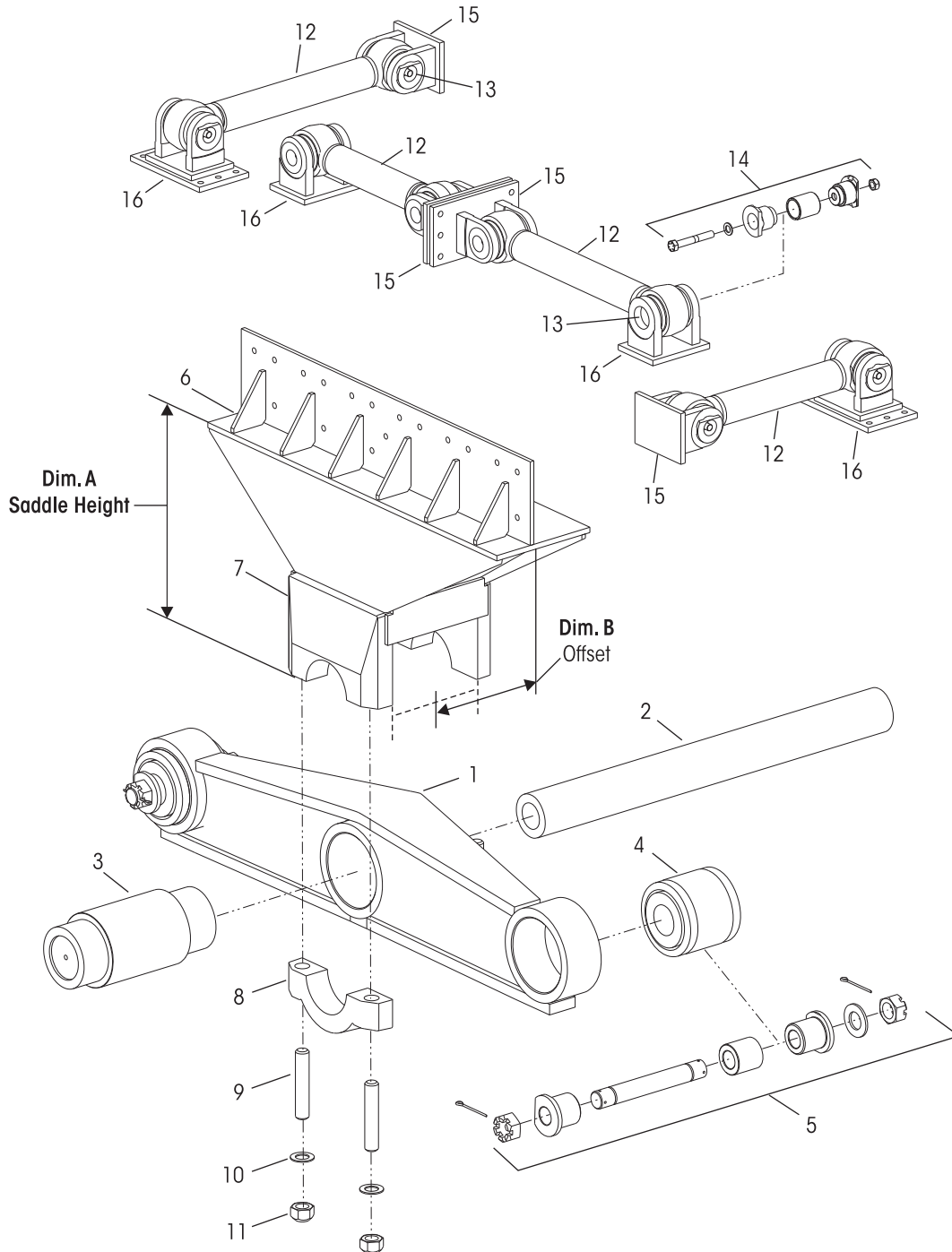
Saddle Assembly R 65K

Dim. A Saddle Height	Dim. B Offset	Part Number	Dim. A Saddle Height	Dim. B Offset	Part Number
18 ¹⁵ / ₁₆ "	50.8 mm	30950-103	20 ¹ / ₂ "	47.6 mm	30950-088
19"	50.8 mm	30950-047	20 ³ / ₁₆ "	50.8 mm	30950-097
	58.7 mm	30950-094	22 ¹³ / ₁₆ "	55.6 mm	30950-081
20 ¹ / ₄ "	31.8 mm	30950-080	23"	58.7 mm	30950-095
	60 mm	30950-092			

85K • 100K • 120K Capacity



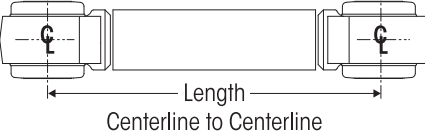
PARTS LISTS





KEY NO.	PART NO.	DESCRIPTION	VEHICLE QTY.	KEY NO.	PART NO.	DESCRIPTION	VEHICLE QTY.
1		Equalizing Beam Assembly Includes Key Nos. 3, 4	2	7		Saddle Lower Plate Assembly, Includes Key Nos. 8-11	2
	07500-620	• 85K 58" Length			18750-001	85K	
	07500-604	60" Length			49237-000	100K • 120K	
	07500-180	64" Length		8		Saddle Cap	4
	07500-068	72" Length			15785-000	85K	
	07500-432	75" Length			47552-000	100K • 120K	
		• 100K • 120K		9		Saddle Cap Stud	8
	07500-579	64" Length			10948-000	85K - 1"-14 UNS	
	07500-615	80" Length			13411-000	100K • 120K - 1½"-12 UNF	
2		Cross Tube, <i>see Selection Guide on Page 378</i>	1	10		Hardened Washer	8
3		Rubber Center Bushing, One per Beam	2		22962-006	85K - 1"	
	15464-000	85K			22962-030	100K • 120K - 1½"	
	14110-000	100K • 120K		11		Locknut	8
4		End Bushing	4		08017-000	85K - 1"-14 UNS	
	10363-000L	6" Length			47042-000	100K • 120K - 1½"-12 UNF	
	10364-000L	7" Length		12	13422-XXX	****Torque Rod Assembly <i>See Table 1 below</i>	4
	15424-000	7¾" Length		13	06966-000	Torque Rod Bushing	8
5		End Bushing Adapter Fastener Kit, One Wheel End		14	45000-011L	Torque Rod End Adapter Kit	8
	21140-026	85K - with Adapter Tube		15	65133-000	Torque Rod Bracket	4
	21140-043	85K - with Special Nut		16		Torque Rod Axle Bracket	4
	21140-024	100K • 120K - with Adapter Tube			47924-000	*85K • 100K 120K	
6	30950-XXX	Saddle Assembly, <i>contact Hendrickson Truck Parts for Part Number</i>	2				

TABLE 1

Key No. 12 • See Above	Torque Rod Assembly R 85K • 100K • 120K					
Key No. 20 • Page 387	Torque Rod Assembly RS 85K • 100K • 120K					
	Length	Part Number	Length	Part Number	Length	Part Number
	16¼"	13422-019	23½"	13422-044	28"	13422-070
	18¾"	13422-060	23¾"	13422-014	28½"	13422-024
	19½"	13422-036	24"	13422-027	29¼"	13422-046
	20"	13422-013	24⅝"	13422-052	29½"	13422-071
	20½"	13422-067	24½"	13422-017	30"	13422-009
	21"	13422-056	24¾"	13422-055	30¾"	13422-018
	21⅝"	13422-022	25"	13422-031	31"	13422-025
	21¼"	13422-064	25½"	13422-023	31¾"	13422-020
	21⅝"	◆ 13422-053	26"	13422-005	32"	13422-012
	21½"	13422-039	26½"	13422-002	32½"	13422-004
	21¾"	13422-068	26¾"	13422-010	33"	13422-003
	22"	13422-029	27"	13422-033	35"	13422-008
	22½"	13422-026	27¼"	13422-011	35⅝"	13422-061
	22¾"	13422-069	27½"	13422-040	36"	13422-001
	23"	13422-063	27¾"	13422-045	40"	13422-037

NOTE: ◆ No longer available, replaced by 13422-064



■ R • RS Cross Tube Selection Guides

Key No. 2

Pages 371, 373, 375, 377, 381, 383, 385, 387

PARTS LISTS

Cross Tubes							
R RS 40K • 46K • 48K		R RS 52K		*R *RS 65K • 85K		*R *RS 100K • 120K	
Length	Part Number	Length	Part Number	Length	Part Number	Length	Part Number
33 ⁷ / ₈ "	44643-027	46"	07622-003	34 ³ / ₄ "	10397-015	44 ¹ / ₂ "	13504-004
40 ³ / ₄ "	44643-011	53"	07622-018	40"	10397-018	46"	13504-008
42"	44643-008	64"	07622-031	40 ³ / ₄ "	10397-014	46 ³ / ₄ "	13504-002
44 ⁷ / ₈ "	44643-009	68"	07622-014	41"	10397-019	49"	13504-001
46"	44643-003			41 ³ / ₄ "	10397-009	50 ³ / ₄ "	13504-009
47"	44643-002			42"	10397-001	53"	13504-012
48"	44643-001			42 ¹ / ₂ "	10397-021	54 ³ / ₄ "	13504-006
49 ¹ / ₄ "	44643-024			43 ³ / ₄ "	10397-017	56"	13504-013
51"	44643-015			44 ³ / ₄ "	10397-002	59"	13504-005
53"	44643-018			46"	10397-010	60 ¹ / ₄ "	13504-003
54 ¹ / ₂ "	44643-017			46 ¹ / ₂ "	10397-020	62 ¹ / ₄ "	13504-011
57"	44643-010			47 ¹ / ₂ "	10397-027		
64"	44643-028			50"	10397-013		
68"	44643-014			51 ¹ / ₄ "	10397-003		
77"	44643-029			52 ³ / ₄ "	10397-006		
				54"	10397-025		
				56 ¹ / ₂ "	10397-016		
				61 ¹ / ₄ "	10397-008		
				62 ³ / ₄ "	10397-031		
				67 ¹ / ₂ "	10397-004		
				75 ³ / ₄ "	10397-029		

Key Nos. 3, 6

Pages 371, 373, 381, 383

*Corresponding Center Bushing End Plugs for Cross Tube Replacement 40K through 52K Only				
Capacity	Rubber		Bronze	
	Rubber Center Bushing Part Number	End Plug Part Number	Beam Center Sleeve Part Number	End Plug Part Number
40K • 46K	49400-000L • 49600-000L	22281-000	14685-000L	57263-000
40K • 46K • 48K • 52K	29483-005L • 34013-097L			

NOTE: ♦ Hendrickson recommends on higher capacity walking beam suspensions removal of the equalizing beam to replace the cross tube. Refer to Hendrickson publication No. 17730-190 for more information.

NOTES: * Not supplied by Hendrickson, used for reference only. Hendrickson is not responsible for components supplied by the vehicle manufacturer. For assistance with maintenance and rebuild instructions on these components see vehicle manufacturer.

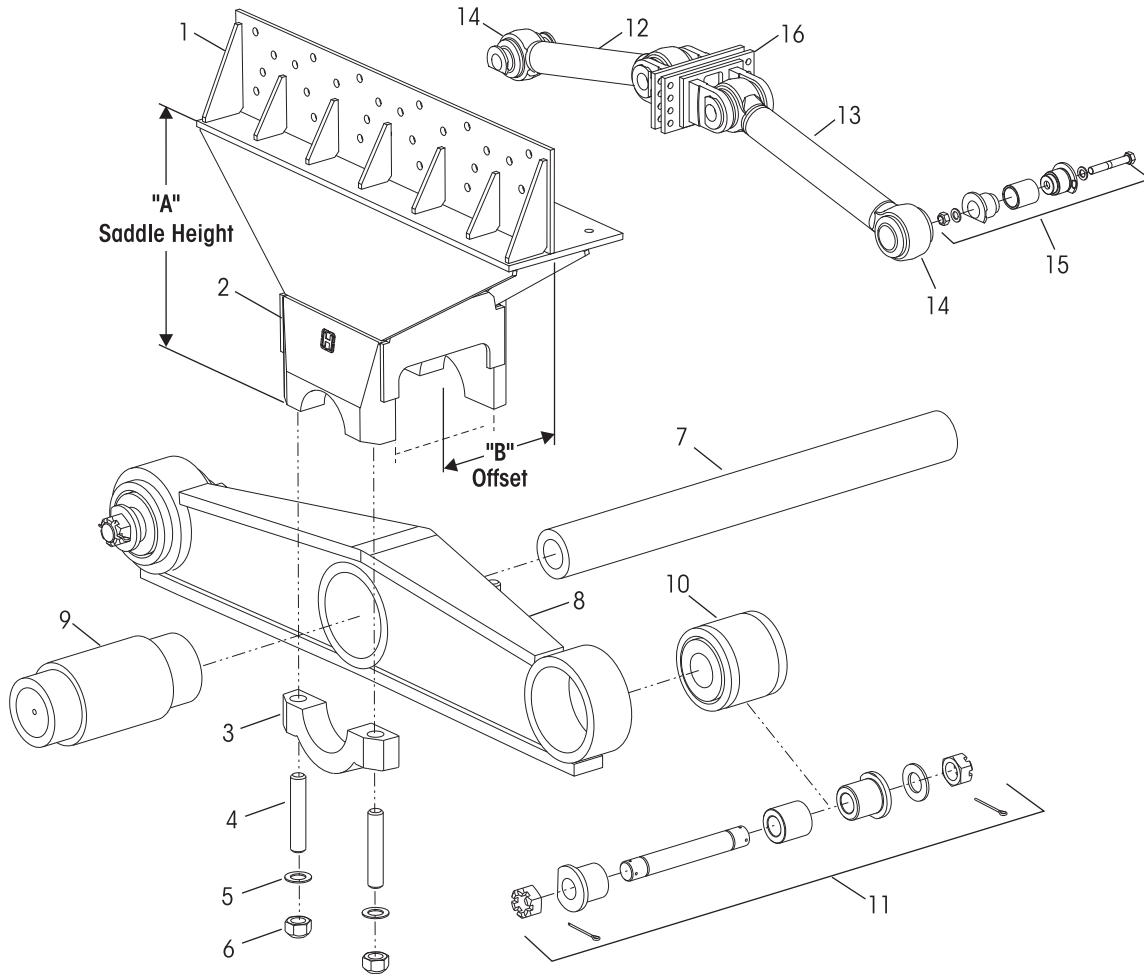
** Item included in kit/assembly only, part not sold separately.

*** Hendrickson's part number is stamped on the torque rod for identification. Be sure to include the suffix number when ordering, this number indicates rod length. Hendrickson's two-piece ULTRA ROD • ULTRA ROD PLUS can be used to create the desired length, refer to Torque Rod Selection Guide 45745-148.

**** Transverse torque rods are mandatory for the R suspensions regardless of axle spacing, see Literature No. 59310-004 and 59310-058 for more information.



100K Capacity



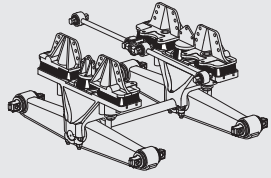
PARTS LISTS

KEY NO.	PART NO.	DESCRIPTION	VEHICLE QTY.
1	30950-112	R 1000 Solid Mount Saddle, 23.9" Height, 0.35" Offset, Includes Key No. 2-6	2
2	49237-000	Lower Plate Assembly, Includes Key Nos. 3-6	4
3	47552-000	Saddle Cap	4
4	13411-000	1½"-12 UNF Saddle Cap Stud	8
5	22962-030	1½" Hardened Washer	8
6	47042-000	1½"-12 UNF Locknut	8
7	13504-009	Cross Tube, 50¾" Length	1
8	07500-579	Equalizing Beam Assembly, 64" Length Includes Key Nos. 9-10	2

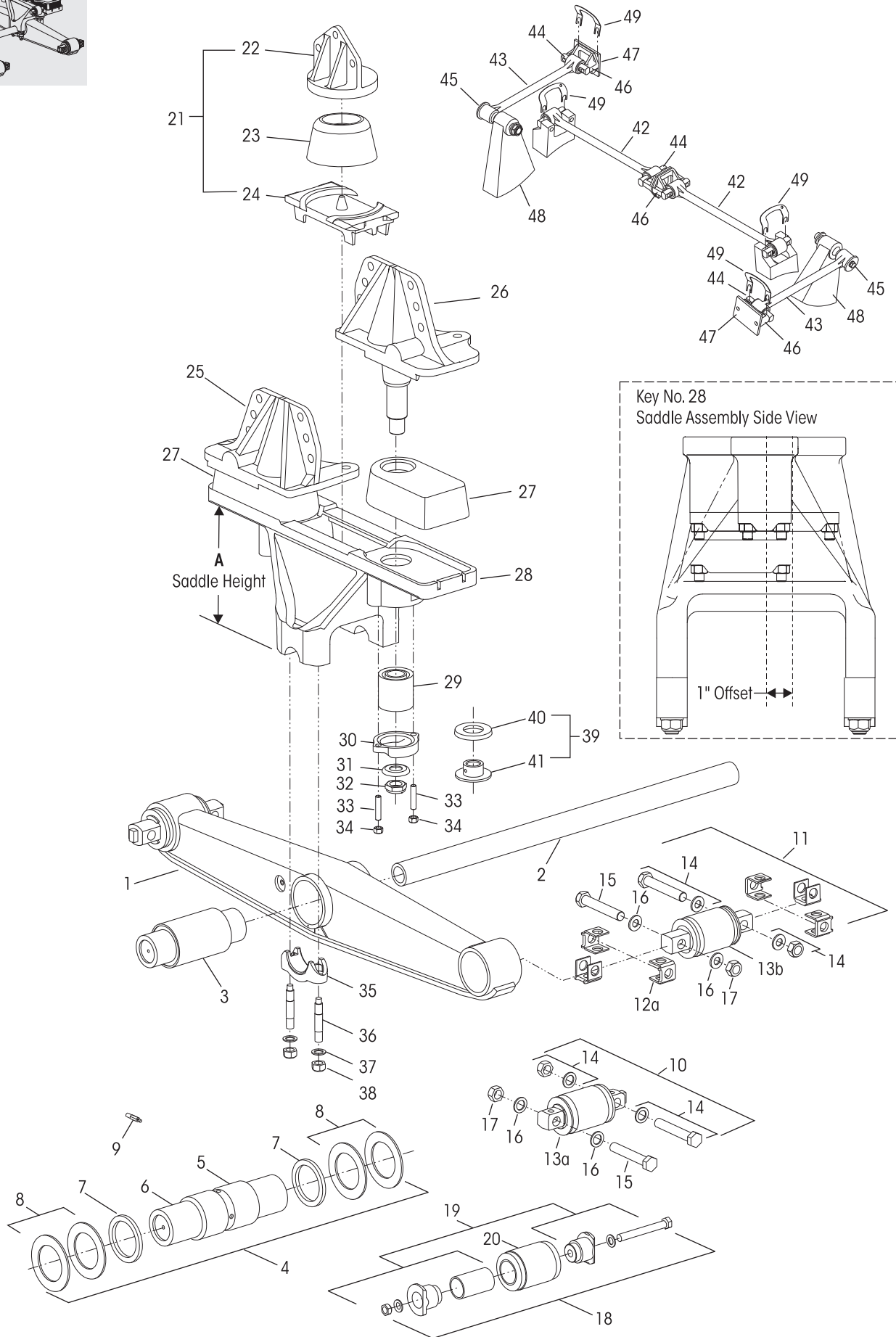
KEY NO.	PART NO.	DESCRIPTION	VEHICLE QTY.
9	14110-000	Rubber Center Bushing, One per Beam	2
10	15424-000	End Bushing, 7¾" Length	4
11	21140-024	End Bushing Adapter Service Kit, One Wheel End, with Adapter Tube	
12	13422-002	Front Torque Rod Assembly, 26½" Length	1
13	13422-011	Rear Torque Rod Assembly, 27¼" Length	1
14	06966-000	Torque Rod Bushing	4
15	45000-011L	Torque Rod End Adapter Service Kit	4
16	65133-000	Torque Rod Frame Bracket	2



40K • 46K Capacity



PARTS LISTS

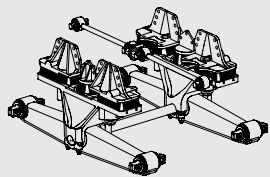




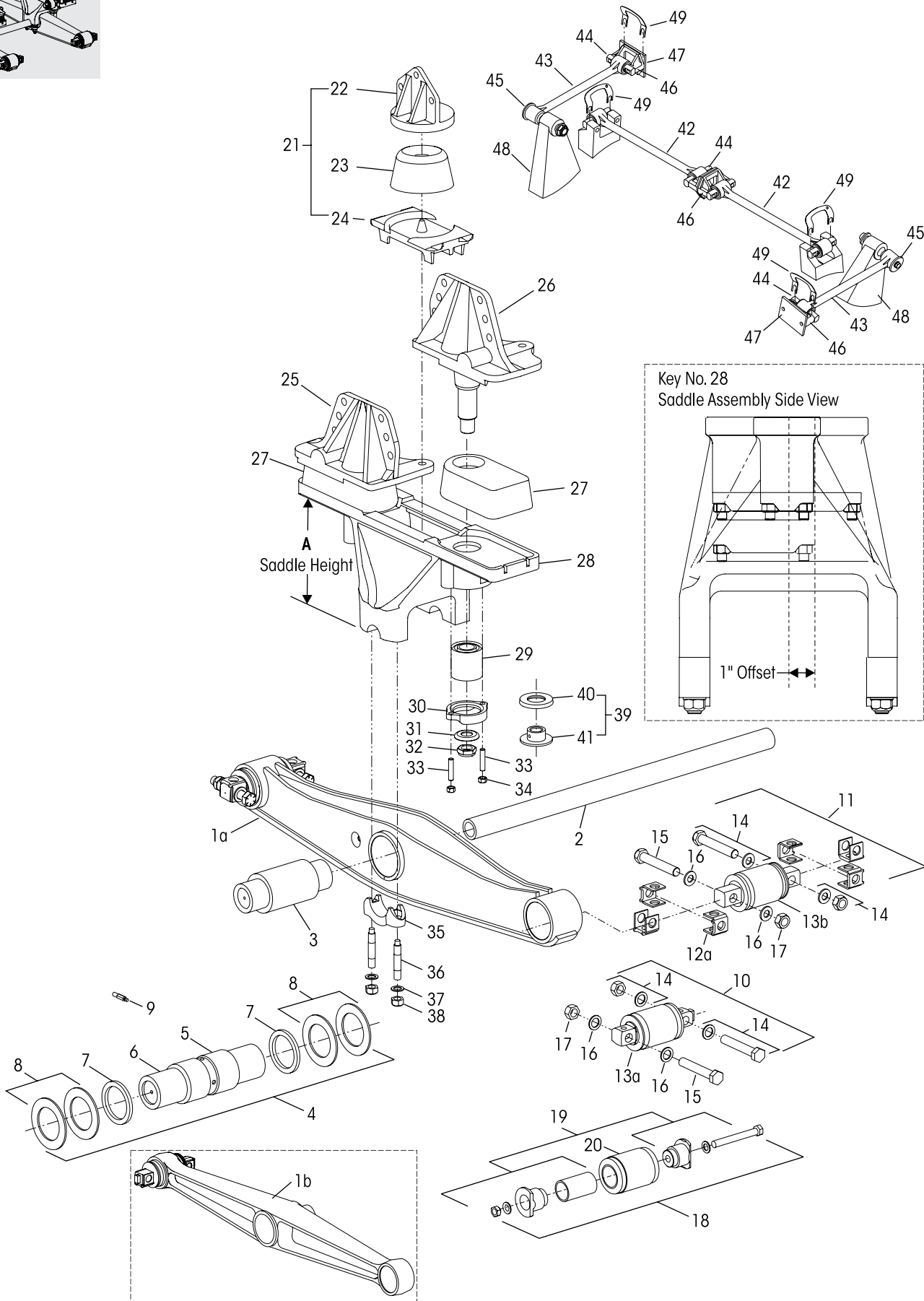
KEY NO.	PART NO.	DESCRIPTION	VEHICLE QTY.	KEY NO.	PART NO.	DESCRIPTION	VEHICLE QTY.
1		Equalizing Beam Assembly <i>See Selection Guide 45745-147</i>	2	28		Saddle Assembly, <i>see Dim. A</i> , Includes Key Nos. 29-30, 33-38	2
2	44643-XXX	Cross Tube, <i>see Selection Guide on Page 378</i>	1	08606-160		• 12¼" Height, (Casting No. 66784-001) <i>Replaces 08606-067 (Casting No. 10711-001)</i>	
3		Rubber Center Bushing, <i>see Center Bushing End Plug Selection Guide on Page 378</i>	2	08606-162		• 12⅞" Height, (Casting No. 66784-005) <i>Replaces 08606-107 (Casting No. 10711-005)</i>	
	49400-000L	40K Welded End Plug		08606-164		• 14" Height, (Casting No. 66784-002) <i>Replaces 08606-080 (Casting No. 10711-002)</i>	
	49600-000L	40K with Loose End Plug		08606-166		• 15¼" Height, (Casting No. 66784-003) <i>Replaces 08606-081 (Casting No. 10711-003)</i>	
	29483-005L	46K, Requires Transverse Torque Rods		34013-061		Single Vertical Drive Bushing Service Kit , Includes Key Nos. 29-34	
	34013-097L	46K with Loose End Plug, Requires Transverse Torque Rods		29	19279-000L	Vertical Drive Bushing	4
4	30437-000L	Bronze Center Bushing Service Kit, Two Beams , Includes Key Nos. 5-9, <i>see Center Bushing End Plug Selection Guide on Page 378</i>		30	05917-000	Vertical Drive Bushing Cap	4
5	30240-002	Bronze Center Bushing	2	31	08536-000	1½" Concave Washer	4
6	14685-000L	Beam Center Sleeve	2	32	25151-000	1½"-12 UNF Nylocknut	4
7	30334-000	Beam Center Seal	4	33	19111-001	⅝"-18 UNF Drive Bushing Cap Stud	8
8	32365-000	Thrust Washer	8	34	19114-000	⅝"-18 UNF Drive Bushing Cap Stud Locknut	8
9	30087-000	Grease Fitting	2	35	58795-000	Saddle Cap	4
		Bar Pin End Bushing Service Kit, One Wheel End		36	09030-000	⅞"-14 UNF-9 UNC Saddle Cap Stud	8
10	34013-087L	Non-Shim Type, Includes Key Nos. 13a, 14		37	22962-002	⅞" Saddle Cap Stud Hardened Washer	8
11	34013-088L	Shim Type, Includes Key Nos. 12a, 13b, 14		38	04842-000	⅞"-14 UNF Saddle Cap Locknut	8
Not Shown	34013-188L	Rotating Shim Type, Includes Key Nos. 12a, 13c, 14		39		Optional Rebound Control Stop Nut Service Kit , Includes Key Nos. 40-41	
12		Bar Pin Shim	8		31005-001	One Side	
a	50131-000	0.25"/0.12" Standard			31005-002	Both Sides	
b	50130-000	0.19"/0.19" Optional		40	30208-000	Rebound Bumper	As Req.
c	57026-000	0.375" Optional flat shim		41	30251-000	Stop Nut	As Req.
13		**Bar Pin End Bushing	4	42		***One-piece Longitudinal Torque Rod Assembly , Straddle/Straddle, Specify Length in mm ULTRA ROD™, Includes Key No. 44a	
a		Non-Shim Type			62000-XXX	Front	1
b		Shim Type			62001-XXX	Rear	1
c		Rotating, Shim Type (Not Shown)				ULTRA ROD™ PLUS™, Includes Key No. 44b	
14	34013-104	Bar Pin End Bushing Fastener Kit, One Wheel End , Includes Key Nos. 15-17			72000-XXX	Front	1
15		**1"-8 UNC Hex Bolt	8		72001-XXX	Rear	1
16		**1" Hardened Washer	16	43		****One-piece Transverse Torque Rod Assembly , Straddle/Taper, Specify Length in mm ULTRA ROD, Includes Key Nos. 44a-45a ULTRA ROD PLUS, Includes Key Nos. 44b-45b XTRB, Includes Key Nos. 44c-45c	2
17		**1"-8 UNC Locknut	8		62350-XXX	ULTRA ROD, Includes Key Nos. 44a-45a	
18		Rubber End Bushing and Adapter Service Kit, One Wheel End			72350-XXX	ULTRA ROD PLUS, Includes Key Nos. 44b-45b	
	34013-049L	40K, Includes Key Nos. 19a, 20			92350-XXX	XTRB, Includes Key Nos. 44c-45c	
	34013-073L	46K, Includes Key Nos. 19b, 20		44		Straddle Bushing	6
19		Adapter without Bushing Service Kit, One Wheel End		a	47691-000L	ULTRA ROD	
	45000-007L	40K		b	64400-002L	ULTRA ROD PLUS	
	21140-034L	46K		c	66649-002L	XTRB	
20	45900-000L	Rubber End Bushing	4	45		Taper Bushing	2
21		Heavy-Duty/Load Cushion Service Kit, Two Beams , Includes Key Nos. 22-24 Standard on 46K, Optional on 40K		a	64697-000L	ULTRA ROD	
	20681-072	34" Frame Width		b	64400-004L	ULTRA ROD PLUS	
	20681-077	34½" Frame Width		c	66649-004L	XTRB	
22		Frame Hanger	2			Two-Piece Torque Rod Assembly with Bushings Service Kit	
	48523-001	34" Frame Width			60218-000	ULTRA ROD Straddle/Straddle	
	48525-001	34½" Frame Width			60215-000	ULTRA ROD Straddle/Taper	
23	24209-000	Heavy-Duty Load Cushion	2		65781-000	ULTRA ROD PLUS Straddle/Taper	
24	20781-000	Saddle Plate	2		65781-001	XTRB Straddle/Straddle	
		Frame Hanger, Includes Key Nos. 31-32 <i>See Selection Guide 45745-037</i>			65781-002	XTRB Straddle/Taper	
25		LH Front/RH Rear	2	46	22186-000	Torque Rod Bracket	4
26		RH Front/LH Rear	2	47	45045-003	Back-up Plate (for Torque Rod)	2
27		Load Cushion	4	48		*Transverse Rod Axle Bracket	2
	48973-000	60 Durometer, Standard on 40K		49	49689-000L	Torque Rod Shim	As Req.
	26953-000L	70 Durometer, Standard on 46K		Not Shown	70867-001	P-80 Lubricant - 10 ml	Per Rubber Bushing 1



48K • 52K Capacity



PARTS LISTS

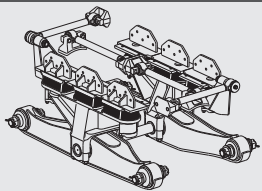




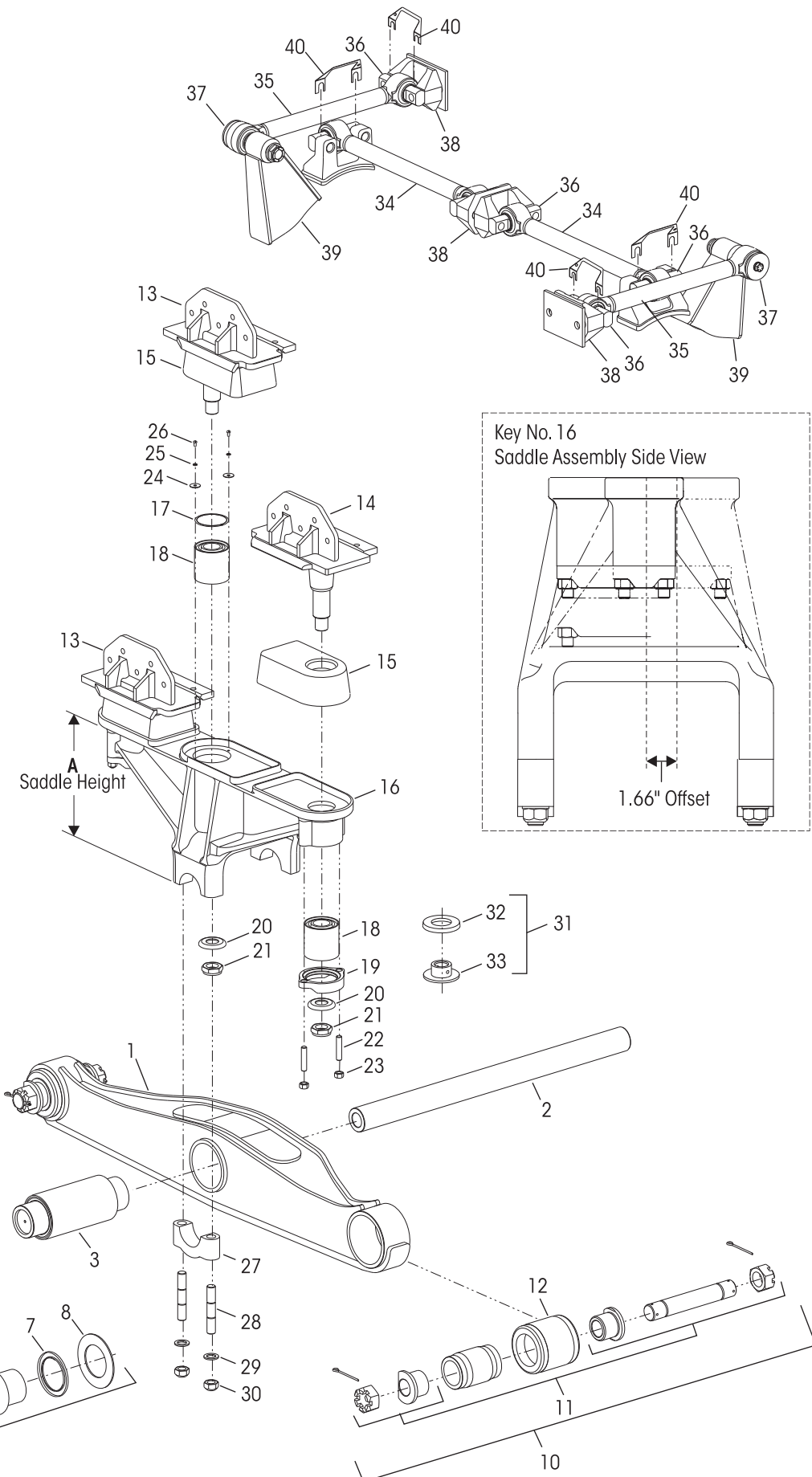
KEY NO.	PART NO.	DESCRIPTION	VEHICLE QTY.	KEY NO.	PART NO.	DESCRIPTION	VEHICLE QTY.
1		Equalizing Beam Assembly <i>See Selection Guide 45745-147</i>	2	28		Saddle Assembly, <i>see Dim. A</i> , Includes Key Nos. 29-30, 33-38	2
a		Fabricated Beam		08606-160		• 12¼" Height, (Casting No. 66784-001) <i>Replaces 08606-132 (Casting No. 10711-001)</i>	
b		Cast Beam		08606-162		• 12⅞" Height, (Casting No. 66784-005) <i>Replaces 08606-136 (Casting No. 10711-005)</i>	
2	44643-XXX 07622-XXX	Cross Tube, <i>see Selection Guide on Page 378</i> 48K 52K	1	08606-164		• 14" Height, (Casting No. 66784-002) <i>Replaces 08606-133 (Casting No. 10711-002)</i>	
3		Rubber Center Bushing <i>See Center Bushing End Plug Selection Guide on Page 378</i>	2	08606-166		• 15¼" Height, (Casting No. 66784-003) <i>Replaces 08606-134 (Casting No. 10711-003)</i>	
	29483-005L 34013-097L	Welded End Plug with Loose End Plug, Optional, Requires Transverse Torque Rods		34013-061		Single Vertical Drive Bushing Service Kit , Includes Key Nos. 29-34	
4	30437-000L	Bronze Center Bushing Service Kit, Two Beams , Includes Key Nos. 5-9, <i>see Center Bushing End Plug Selection Guide on Page 378</i>		29	19279-000L	Vertical Drive Bushing	4
5	30240-002	Bronze Center Bushing	2	30	05917-000	Vertical Drive Bushing Cap	4
6	14685-000L	Beam Center Sleeve	2	31	08536-000	1½" Concave Washer	4
7	30334-000	Beam Center Seal	4	32	25151-000	1½"-12 UNF Nylocknut	4
8	32365-000	Thrust Washer	8	33	19111-001	⅝"-18 UNF Drive Bushing Cap Stud	8
9	30087-000	Grease Fitting	2	34	19114-000	⅝"-18 UNF Drive Bushing Cap Stud Locknut	8
		Bar Pin End Bushing Service Kit, One Wheel End		35	58795-000	Saddle Cap	4
10	34013-087L	Non-Shim Type, Includes Key Nos. 13a, 14		36	09030-000	⅞"-14 UNF / 9 UNC Saddle Cap Stud	8
11	34013-088L	Shim Type, Includes Key Nos. 12a, 13b, 14		37	22962-002	⅞" Saddle Cap Stud Hardened Washer	8
Not Shown	34013-188L	Rotating Shim Type, Includes Key Nos. 12a, 13c, 14		38	04842-000	⅞"-14 UNF Saddle Cap Locknut	8
12		Bar Pin Shim	8	39		Optional Rebound Control Stop Service Nut Kit , Includes Key Nos. 40-41	
a	50131-000	0.25"/0.12" Standard		31005-001		One Side	
b	50130-000	0.19"/0.19" Optional		31005-002		Both Sides	
c	57026-000	0.375" Optional flat shim		40	30208-000	Rebound Bumper	As Req.
13		*Bar Pin End Bushing	4	41	30251-000	Stop Nut	As Req.
a		*Non-Shim Type		42		***One-piece Longitudinal Torque Rod Assembly, Straddle/Straddle, Specify Length in mm ULTRA ROD, Includes Key No. 44a	
b		*Shim Type		62000-XXX		Front,	1
c		*Rotating, Shim Type (Not Shown)		62001-XXX		Rear,	1
14	34013-104	Bar Pin End Bushing Fastener Kit, One Wheel End , Includes Key Nos. 15-17		72000-XXX		ULTRA ROD PLUS, Includes Key No. 44b	
15		**1"-8 UNC Hex Bolt	8	72001-XXX		Front	1
16		**1" Hardened Washer	16			Rear	1
17		**1"-8 UNC Locknut	8	43		****One-piece Transverse Torque Rod Assembly, Straddle/Taper, Specify Length in mm ULTRA ROD, Includes Key Nos. 44a-45a ULTRA ROD PLUS, Includes Key Nos. 44b-45b XTRB, Includes Key Nos. 44c-45c	2
18		End Bushing and Adapter Service Kit, One Wheel End ,		62350-XXX			
	34013-050L	48K • 52K, Includes Key Nos. 19a, 20		72350-XXX			
	34013-051L	52K, Includes Key Nos. 19b, 20		92350-XXX			
19		End Bushing Adapter Style Service Kit, One Wheel End		44		Straddle Bushing	6
a	21140-034L	48K • 52K		a	47691-000L	ULTRA ROD	
b	21140-033L	52K		b	64400-002L	ULTRA ROD PLUS	
20		Adapter Style End Bushing	4	c	66649-002L	XTRB	
	29878-001L	48K		45		Taper Bushing	2
	45407-000L	52K		a	64697-000L	ULTRA ROD	
21		Heavy-Duty Load Cushion Service Kit, Two Beams , Includes Key Nos. 22-24 Standard on 52K		b	64400-004L	ULTRA ROD PLUS	
	20681-072	34" Frame Width		c	66649-004L	XTRB	
	20681-077	34½" Frame Width				Two-Piece Torque Rod Assembly with Bushings Service Kit	
22		Frame Hanger	2	60218-000		ULTRA ROD Straddle/Straddle	
	48523-001	34" Frame Width		60215-000		ULTRA ROD Straddle/Taper	
	48525-001	34½" Frame Width		65781-000		ULTRA ROD PLUS Straddle/Taper	
23	24209-000	Heavy-Duty Load Cushion	2	65781-001		XTRB Straddle/Straddle	
24	20781-000	Saddle Plate	2	65781-002		XTRB Straddle/Taper	
		Frame Hanger, Includes Key Nos. 31-32 <i>See RS Hanger Selection Guide 45745-037</i>		46	22186-000	Torque Rod Bracket	4
25		LH Front/RH Rear	2	47	45045-003	Back-up Plate (for Torque Rod)	2
26		RH Front/LH Rear	2	48		*Transverse Rod Axle Bracket	2
27	26953-000L	Load Cushion, 70 Durometer Standard on 48K • 52K	4	49	49689-000L	Torque Rod Shim	As Req.
				Not Shown	70867-001	P-80 Lubricant - 10 ml	Per Rubber Bushing 1



65K Capacity



PARTS LISTS





KEY NO.	PART NO.	DESCRIPTION	VEHICLE QTY.	KEY NO.	PART NO.	DESCRIPTION	VEHICLE QTY.
1		Equalizing Beam Assembly <i>See Selection Guide 45745-147</i>	2	18	19279-000L	Vertical Drive Bushing	6
2	10397-XXX	Cross Tube, <i>see Selection Guide on Page 378</i>	1	19	05917-000	Vertical Drive Bushing Cap	4
3	10366-000L	Rubber Center Bushing	2	20	08536-000	1½" Concave Washer	6
4		Bronze Center Bushing Service Kit , Includes Key Nos. 5-9		21	25151-000	1½"-12 UNF Nylocknut	6
	34013-055L	One Beam		22	19111-004	⅝"-18 UNF Drive Bushing Cap Stud	8
	45374-000	Two Beams		23	19114-000	⅝"-18 UNF Drive Bushing Cap Stud Locknut	8
5	30240-005	Bronze Center Bushing	2	24	17487-000	Drive Bushing Retainer Washer	4
6	25102-000	Beam Center Sleeve	2	25	17497-001	Drive Bushing Retainer Lock Washer	4
7	31577-000	Beam Center Seal	4	26	17860-003	Drive Bushing Retainer Lock Screw	4
8	45261-000	Thrust Washer	4	27	15785-000	Saddle Cap	4
9	30087-000	Grease Fitting	2	28	10948-000	1"-14 UNS Saddle Cap Stud	8
10		Rubber End Bushing and Adapter Service Kit, Tandem Set ,		29	22962-008	1" Saddle Cap Flat Washer	8
	34013-052	for 6" Bushing, Includes Key Nos. 11a, 12a		30	08017-000	1"-14 UNS Saddle Cap Locknut	8
	34013-110	for 7" Bushing, Includes Key Nos. 11b, 12b		31		Optional Rebound Control Stop Nut Service Kit , Includes Key Nos. 32-33	
11		End Bushing Adapter Service Kit, One Wheel End ,			31005-001	One Side	
a	21140-007L	6" Length			31005-002	Both Sides	
b	21140-004L	7" Length		32	30208-000	Rebound Bumper	As Req.
12		End Bushing	4	33	30251-000	Stop Nut	As Req.
a	10363-000	6" Length		34	72100-XXX	***One-piece Longitudinal Torque Rod Rod Assembly, Straddle/Straddle, Specify Length in mm	2
b	10364-000	7" Length				ULTRA ROD PLUS, Includes Key No. 36a	
		Frame Hanger, Includes Key Nos. 20-21 <i>See Selection Guide 45745-037</i>		35		****One-piece Transverse Torque Rod Assembly, Straddle/Taper, Specify Length in mm	2
13		**LH Front/RH Rear	4		72850-XXX	ULTRA ROD PLUS, Includes Key Nos. 36a-37a	
14		**RH Front/LH Rear	2		92950-XXX	XTRB, Includes Key Nos. 36b-37b	
15	26953-000L	Load Cushion, 70 Durometer	6	36		Straddle Bushing	6
16		Saddle Assembly, <i>see Dim. A</i> , Includes Key 17-19, 22-30	2	a	64400-003L	ULTRA ROD PLUS	
	08606-082	15" Height		b	66649-003L	XTRB	
	08606-128	17¼" Height		37		Taper Bushing	2
	08606-127	18" Height		a	64400-006L	ULTRA ROD PLUS	
	08606-126	19" Height		b	66649-004L	XTRB	
17	22586-000L	Saddle Bearing Ring	2	38	46015-000	Torque Rod Bracket	4
	34013-232	Single Vertical Drive Bushing Service Kit , Includes Key Nos. 18-23		39		*Transverse Torque Rod Axle Bracket	2
				40	67779-002	Torque Rod Shim	As Req.
				Not Shown	70867-001	P-80 Lubricant - 10 ml	Per Rubber Bushing 1

NOTES: * Not supplied by Hendrickson, used for reference only. Hendrickson is not responsible for components supplied by the vehicle manufacturer. For assistance with maintenance and rebuild instructions on these components see vehicle manufacturer.

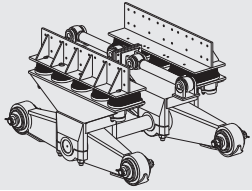
** Item included in kit/assembly only, part not sold separately.

*** Hendrickson's part number is stamped on the torque rod for identification. Be sure to include the suffix number when ordering, this number indicates rod length. Hendrickson's two-piece ULTRA ROD • ULTRA ROD PLUS can be used to create the desired length, refer to Torque Rod Selection Guide 45745-148.

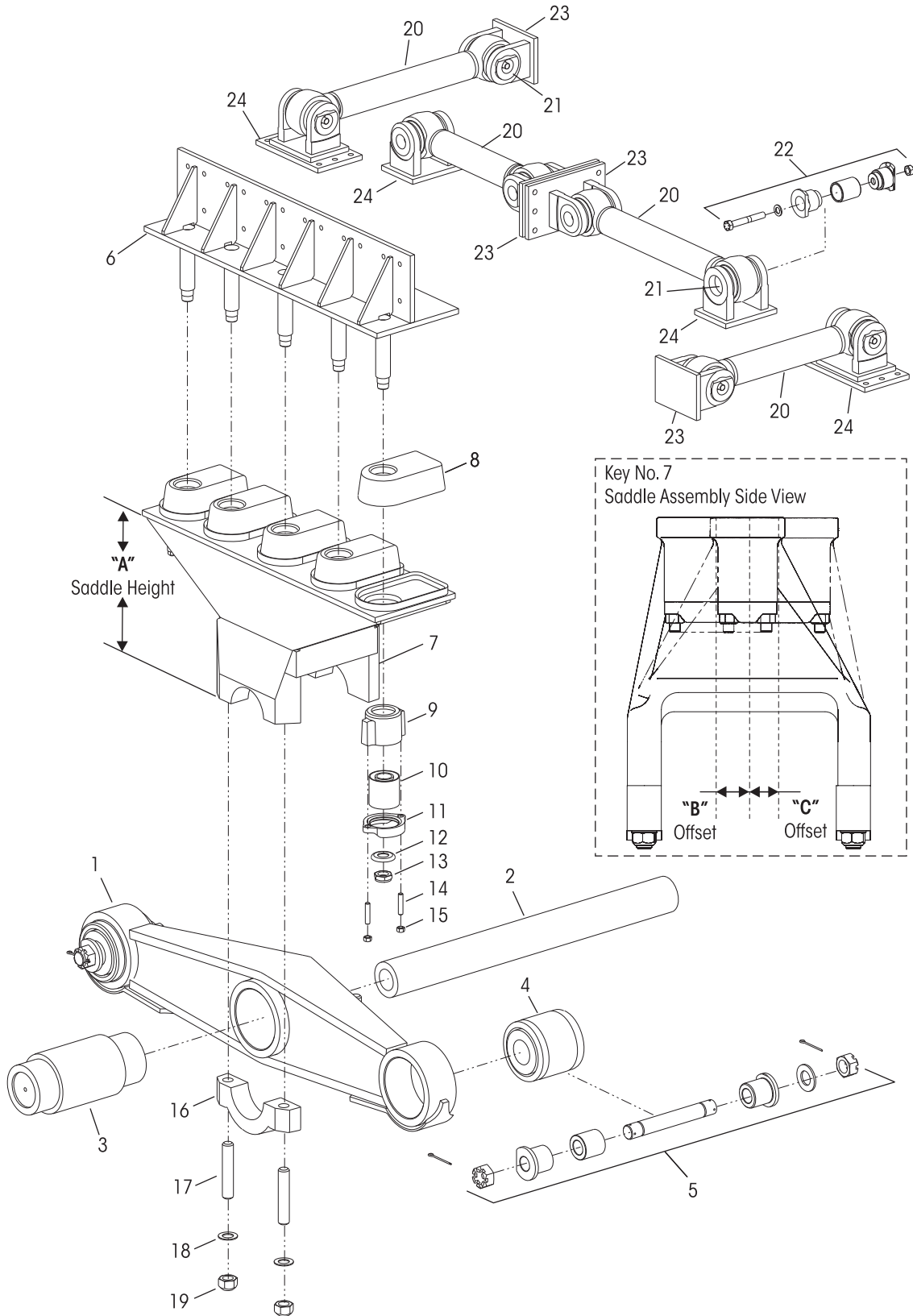
**** Transverse torque rods are mandatory for the RS suspensions regardless of axle spacing, see Literature No. 59310-004 and 59310-058 for more information.



85K • 100K • 120K Capacity



PARTS LISTS





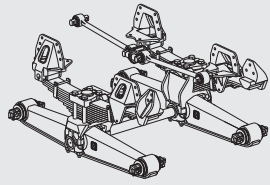
KEY NO.	PART NO.	DESCRIPTION	VEHICLE QTY.	KEY NO.	PART NO.	DESCRIPTION	VEHICLE QTY.
1		Equalizing Beam Assembly Includes Key Nos. 3, 4	2	7		Saddle Assembly, <i>see Dim. A, B and C</i> , Includes Key Nos. 10-11, 14-15	2
	07500-620	• 85K 58" Length			08606-141	• 85K A = 15" Height, Offset B = 2", C = 0"	
	07500-604	60" Length			08606-142	A = 15 ⁷ / ₈ " Height, Offset B = 1 ³ / ₄ ", C = 0"	
	07500-180	64" Length			08606-131	A = 16 ³ / ₄ " Height, Offset B = 0", C = 0"	
	07500-068	72" Length			08606-143	A = 16 ³ / ₄ " Height, Offset B = 0", C = 2"	
	07500-432	75" Length			08606-151	A = 17 ⁷ / ₈ " Height, Offset B = 0", C = 0"	
		• 100K • 120K			08606-156	A = 17 ⁷ / ₈ " Height, Offset B = 0", C = 2"	
	07500-579	64" Length				• 100K	
	07500-615	80" Length			08606-154	A = 20" Height, Offset B and C = 0"	
2		Cross Tube, <i>see Selection Guide on Page 378</i>	1		08606-155	A = 21 ¹ / ₄ " Height, Offset B and C = 0"	
	10397-XXX	85K, Specify Length				• 120K	
	13504-XXX	100K, Specify Length			08606-167	A = 20" Height, Offset B = 0", C = 1"	
3		Rubber Center Bushing, One per Beam	2	Quantities for Key Nos. 8 through 15 varies per capacity, see Table 1 below			
	15464-000	85K		8	26953-000L	Load Cushion	
	14110-000	100K		9	13774-000	Vertical Drive Bushing Retainer	
4		End Bushing	4		34013-232	Single Vertical Drive Bushing Service Kit , Includes Key Nos. 10-15	
	10363-000L	85K - 6" Length		10	19279-000	Vertical Drive Bushing	
	10364-000L	85K - 7" Length		11	05917-000	Vertical Drive Bushing Cap	
	15424-000L	100K - 7 ³ / ₄ " Length		12	08536-000	1 ¹ / ₂ " Concave Washer	
5		End Bushing Adapter Service Kit, One Wheel End		13	25151-000	1 ¹ / ₂ "-12 UNF Nylocknut	
	21140-026	85K - with Adapter Tube		14	19111-004	⁹ / ₁₆ "-18 UNF Drive Bushing Cap Stud	
	21140-043	85K - with Special Nut		15	19114-000	⁹ / ₁₆ "-18 UNF Drive Bushing Cap Stud Locknut	
	21140-024	100K - with Adapter Tube		16		Saddle Cap	4
	21140-042	100K - with Tube and Nut			15785-000	85K	
6		Frame Hanger	2		47552-000	100K • 120K	
		• 85K		17		Saddle Cap Stud	8
	57964-000	- ⁵ / ₈ " Offset			10948-000	85K - 1"-14 UNS	
	48742-000	-1 ¹ / ₄ " Offset			13411-000	100K • 120K - 1 ¹ / ₂ "-12 UNF	
	47390-000	¹ / ₄ " Offset		18		Saddle Cap Flat Washer	8
	59415-000	³ / ₈ " Offset			22962-006	85K - 1"	
	48744-000	1 ¹ / ₂ " Offset			22962-030	100K • 120K - 1 ¹ / ₂ "	
		• 100K		19		Saddle Cap Locknut	8
	59413-000	2 ¹ / ₄ " Offset			08017-000	85K - 1"-14 UNS	
	58496-000	³ / ₈ " Offset			47042-000	100K • 120K - 1 ¹ / ₂ "-12 UNF	
	56750-000	1" Offset		20	13422-XXX	Torque Rod Assembly, <i>see Table 1 on Page 377</i>	4
	70988-000	• 120K, -3 ¹ / ₄ " Offset		21	06966-000	Straddle Torque Rod Bushing	8
				22	45000-011	Torque Rod End Adapter Kit	8
				23	65133-000	Torque Rod Bracket	4
				24		Torque Rod Axle Bracket	4
						*85K • 100K	
					47924-000	120K	

TABLE 1 Quantities required per suspension for Key Nos. 8-15

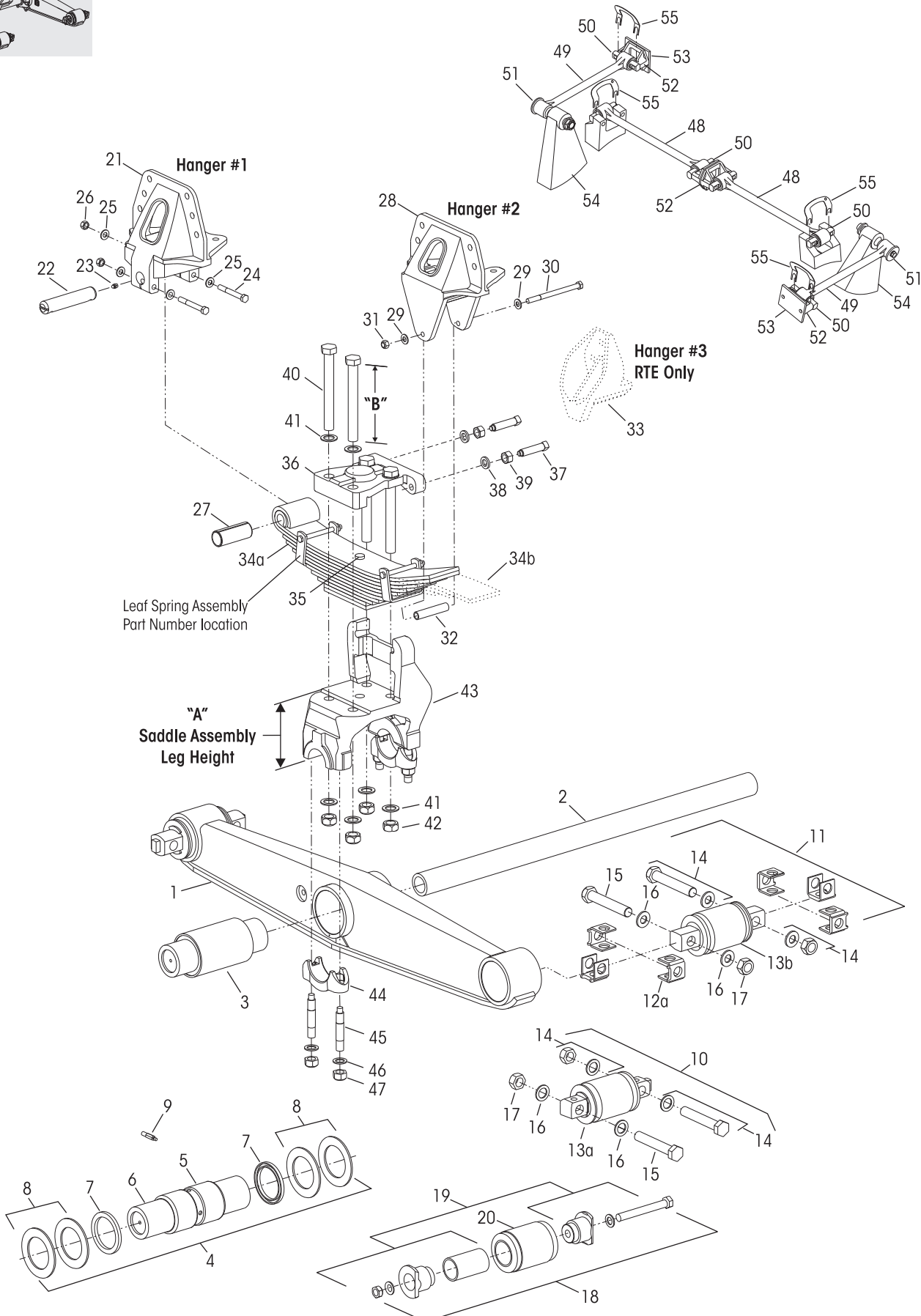
	85K	100K	120K	120K with 64" Beam
Key Nos. 8-13	8	10	10	12
Key Nos. 14-15	16	20	20	24



34K • 40K • 46K Capacity



PARTS LISTS



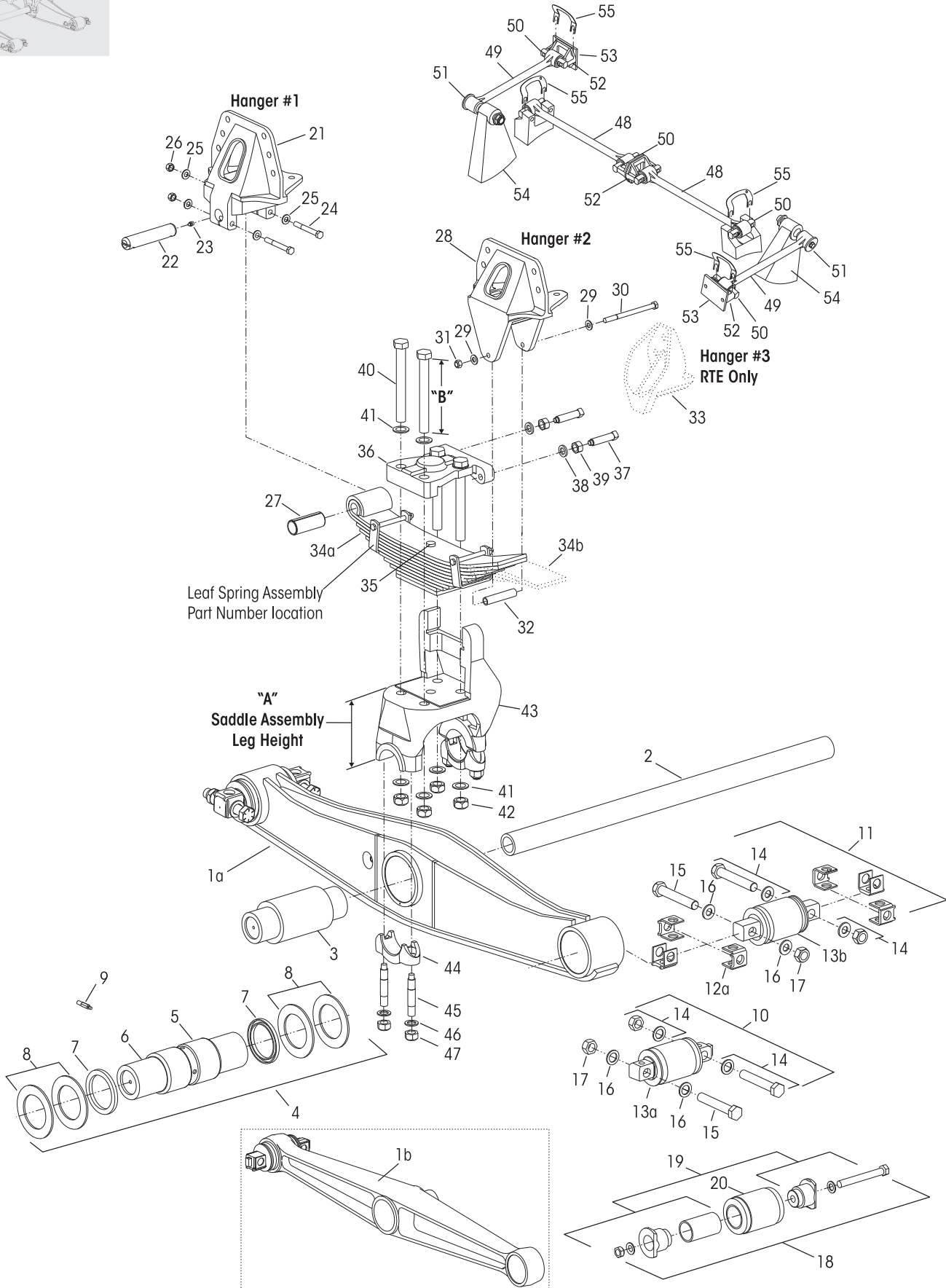
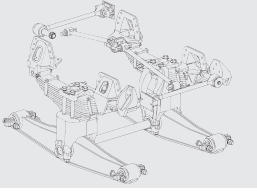


VEHICLE			VEHICLE				
KEY NO.	PART NO.	DESCRIPTION	QTY.	KEY NO.	PART NO.	DESCRIPTION	QTY.
1		Equalizing Beam Assembly <i>See Selection Guide 45745-147</i>	2	31	49846-000	½"-13 UNC Locknut	2
2		Cross Tube, <i>see Selection Guide on Page 394</i>	1	32	00194-000	Rebound Bolt Spacer	2
	44642-XXX	34K, 1 1/8" Diameter		33		RTE Extended Leaf Spring Hanger #3 <i>See Selection Guide 45745-038</i>	2
	44643-XXX	34K-46K, 2 7/8" Diameter		34		Spring Assembly	2
3		Rubber Center Bushing, <i>see Center Bushing End Plug Selection Guide on Page 394</i>	2	a	53383-000	RT 34K Standard Duty, <i>Replaces 58193-000</i>	
	06664-000L	34K Welded End Plug		a	53384-000	RT 34K Light Duty, <i>Replaces 58194-000</i>	
	22279-000L	34K with Loose End Plug		a	45027-000	RT 40K	
	49400-000L	34K-40K Welded End Plug		a	47057-000	RT 46K	
	49600-000L	34K-40K with Loose End Plug		b	53382-000	RTE 34K, <i>Replaces 58192-000</i>	
		• Optional for RT 34K-40K, <i>Requires Transverse Rods</i>		b	45121-000	RTE 40K	
	29483-005L	46K Welded End Plug		b	45322-000	RTE 46K	
	34013-097L	46K with Loose End Plug		35	66662-001	5/8" Center Bolt, Cut to Length, <i>Replaces 05069-000</i>	2
4		Bronze Center Bushing Service Kit, Two Beams Includes Key Nos. 5-9		36	35064-000	Top Pad	2
	30436-000L	34K			35370-002	Top Pad Set Screw Service Kit, One Set Includes Key Nos. 37-39	
	30437-000L	34K-46K		37	06813-000	¾"-10 UNC Square Head Set Screw	4
5	30240-001	Bronze Center Bushing - 34K	2	38	17339-000	¾" Set Screw Lock Washer	4
	30240-002L	Bronze Center Bushing - 34K-46K	2	39	17342-000	¾"-10 UNC Set Screw Locknut	4
6	14684-000	Beam Center Sleeve - 34K	2	40	30550-XXX	1"-14 UNS Top Pad Bolt, <i>see Selection Guide on Page 394</i>	8
	14685-000L	Beam Center Sleeve - 34K-46K	2	41	22962-006	1" Hardened Washer	16
7	30333-000	Beam Center Seal - 34K	4	42	08017-000	1"-14 UNS Locknut	8
	30334-000	Beam Center Seal - 34K-46K	4	43		Saddle Assembly, <i>see Leg Height-Dim. "A"</i> Includes Key Nos. 44-47	2
8	32364-000	Thrust Washer - 34K	8		31017-023	34K, 6 3/8" Height, (Casting No. 46529)	
	32365-000	Thrust Washer - 34K-46K	8		31017-025L	34K, 7 3/8" Height (Casting No. 46138)	
9	30087-000	Grease Fitting	As Req.		31017-022L	34K-40K, 6" Height (Casting No. 57167)	
		Bar Pin End Bushing Kit, One Wheel End			31017-109L	34K-40K, 7 3/8" Height (Casting No. 57143)	
10	34013-087L	Non-Shim Type, Includes Key Nos. 13a, 14			31017-096L	46K, 6" Height (Casting No. 57457)	
11	34013-088L	Shim Type, Includes Key Nos. 12a, 13b, 14			31017-110L	46K, 7 3/8" Height (Casting No. 57155)	
Not Shown	34013-188L	Rotating Shim Type, Includes Key Nos. 12a, 13c, 14		44	06662-000	Saddle Cap 34K	4
12		Bar Pin Shim	8		58795-000	Saddle Cap 34K-46K	4
a	50131-000	0.25"/0.12" Standard		45		7/8"-14 UNF Saddle Cap Stud	8
b	50130-000	0.19"/0.19" Optional			07002-000	34K	
c	57026-000	0.375" Optional flat shim			06696-000	34K-46K	
13		**Bar Pin End Bushing	4	46	22962-002	7/8" Hardened Washer	8
a		Non-Shim Type		47	04842-000	7/8"-14 UNF Saddle Cap Nut	8
b		Shim Type		48		***One-piece Longitudinal Torque Rod Assembly, Straddle/Straddle, Specify Length in mm ULTRA ROD®, Includes Key No. 50a	
c		Rotating Bar Pin, Shim Type (Not Shown)			62000-XXX	Front	1
14	34013-104	Bar Pin End Bushing Fastener Kit, One Wheel End, Includes Key Nos. 15-17			62001-XXX	Rear	1
15		**1"-8 UNC x 6" Hex Bolt	8			ULTRA ROD® PLUS™, Includes Key No. 50b	
16		**1" Hardened Washer	16		72000-XXX	Front	1
17		**1"-8 UNC Locknut	8		72001-XXX	Rear	1
18		Rubber End Bushing and Adapter Service Kit, One Wheel End		49		****One-piece Transverse Torque Rod Assembly, Straddle/Taper, Specify Length in mm ULTRA ROD, Includes Key Nos. 50a-51a ULTRA ROD PLUS, Includes Key Nos. 50b-51b XTRB, Includes Key Nos. 50c-51c	2
	34013-049L	34K-40K, Includes Key Nos. 19a, 20			62350-XXX	ULTRA ROD	
	34013-073L	46K, Includes Key Nos. 19b, 20			72350-XXX	ULTRA ROD PLUS	
19		Adapter without Bushing Service Kit, One Wheel End			92350-XXX	XTRB	
a	45000-007L	34K-40K		50		Straddle Bushing	6
b	21140-034L	46K		a	47691-000L	ULTRA ROD	
20	45900-000L	Rubber End Bushing	4	b	64400-002L	ULTRA ROD PLUS	
21		Forward Spring Hanger #1, Double Lock Pin <i>See Selection Guide 45745-038</i>	2	c	66649-002L	XTRB	
22	43146-000L	Pin - 1 3/8" Diameter Double Lock	2	51		Taper Bushing	2
23	33117-000	Lube Fitting	2	a	64697-000L	ULTRA ROD	
		Spring Mounting Service Kit		b	64400-004L	ULTRA ROD PLUS	
	29828-035L	One Hanger, Includes Key Nos. 24-26		c	66649-004L	XTRB	
	29828-034	Vehicle Set, Includes Key Nos. 22-26, 30, 32				Two-Piece Torque Rod Assembly with Bushings Service Kit	
24	24531-009	½"-13 UNC x 4" Bolt	4		60218-000	ULTRA ROD Straddle/Straddle	
25	22962-011	½" Hardened Washer	8		60215-000	ULTRA ROD Straddle/Taper	
26	49846-000	½"-13 UNC Locknut	4		65781-000	ULTRA ROD PLUS Straddle/Taper	
27	30057-008L	Spring Eye Bushing, 1 3/8" I.D.	2		65781-001	XTRB Straddle/Straddle	
28		Rear Spring Hanger #2 <i>See Selection Guide 45745-038</i>	2		65781-002	XTRB Straddle/Taper	
	29828-023	Rebound Bolt & Spacer Kit, One Hanger Includes Key Nos. 29-32		52	22186-000	Torque Rod Bracket	4
29	22962-011	½" Hardened Washer	4	53	45045-003	Back-up Plate (for Torque Rod)	2
30	24531-005	½"-13 UNC x 6 1/2" Bolt	2	54		*Transverse Rod Axle Bracket	2
				55	49689-000L	Torque Rod Shim	As Req.
				Not Shown	70867-001	P-80 Lubricant - 10 ml Per Rubber Bushing	1



48K • 52K Capacity

PARTS LISTS



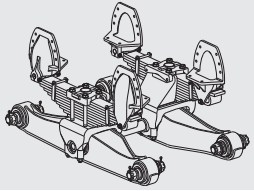


KEY NO.	PART NO.	DESCRIPTION	VEHICLE QTY.
1		Equalizing Beam Assembly <i>See Selection Guide 45745-147</i>	2
	a	Fabricated Beam	
	b	Cast Beam	
2		Cross Tube - Dia. 2 $\frac{7}{8}$ " , <i>see Selection Guide on Page 394</i>	1
	44643-XXX	48K	
	07622-XXX	52K	
3		Rubber Center Bushing, <i>Requires Transverse Rods</i> 2 <i>See Center Bushing End Plug Selection Guide on Page 394</i>	
	29483-005L	Welded End Plug	
	34013-097L	Loose End Plug	
4	30437-000L	Bronze Center Bushing Service Kit, Two Beams Includes Key Nos. 5-9	
5	30240-002L	Bronze Center Bushing	2
6	14685-000L	Beam Center Sleeve	2
7	30334-000	Beam Center Seal	4
8	32365-000	Thrust Washer	8
9	30087-000	Grease Fitting	As Req.
		Bar Pin End Bushing Kit, One Wheel End	
10	34013-087L	Non-Shim Type, Includes Key Nos. 13a, 14	
11	34013-088L	Shim Type, Includes Key Nos. 12a, 13b, 14	
Not Shown	34013-188L	Rotating Shim Type, Includes Key Nos. 12a, 13c, 14	
12		Bar Pin Shim	8
	a	50131-000 0.25"/0.12" Standard	
	b	50130-000 0.19"/0.19" Optional	
	c	57026-000 0.375" Optional flat shim	
13		**Bar Pin End Bushing	4
	a	Non-Shim Type	
	b	Shim Type	
	c	Rotating, Shim Type (Not Shown)	
14	34013-104	Bar Pin End Bushing Fastener Kit, One Wheel End , Includes Key Nos. 15-17	
15		**1 $\frac{1}{8}$ "-8 UNC x 6" Hex Bolt	8
16		**1" Hardened Washer	16
17		**1 $\frac{1}{8}$ "-8 UNC Locknut	8
18		Rubber End Bushing and Adapter Service Kit, One Wheel End	
	34013-050L	5 $\frac{3}{4}$ " Length, Includes Key Nos. 19a, 20a	
	34013-051L	6" Length, Includes Key Nos. 19b, 20b	
19		End Bushing Adapter Service Kit, One Wheel End	
	a	21140-034L 5 $\frac{3}{4}$ " Length	
	b	21140-033L 6" Length	
20		Rubber End Bushing	4
	a	29878-001L 5 $\frac{3}{4}$ " Length	
	b	45407-000L 6" Length	
21		Forward Spring Hanger #1, Double Lock Pin <i>See Selection Guide 45745-038</i>	2
22	43146-000L	Pin - 1 $\frac{3}{8}$ " Diameter Double Lock	2
23	33117-000	Lube Fitting	2
		Spring Mounting Service Kit	
	29828-035L	One Hanger, Includes Key Nos. 24-26	
	29828-034	Vehicle Set, Includes Key Nos. 22-26, 30, 32	
24	24531-009	$\frac{1}{2}$ "-13 UNC x 4" Bolt	4
25	22962-011	$\frac{1}{2}$ " Hardened Washer	8
26	49846-000	$\frac{1}{2}$ "-13 UNC Locknut	4
27	30057-008L	Spring Eye Bushing 1 $\frac{3}{8}$ " I.D.	2
28		Rear Spring Hanger #2 <i>See Selection Guide 45745-038</i>	2

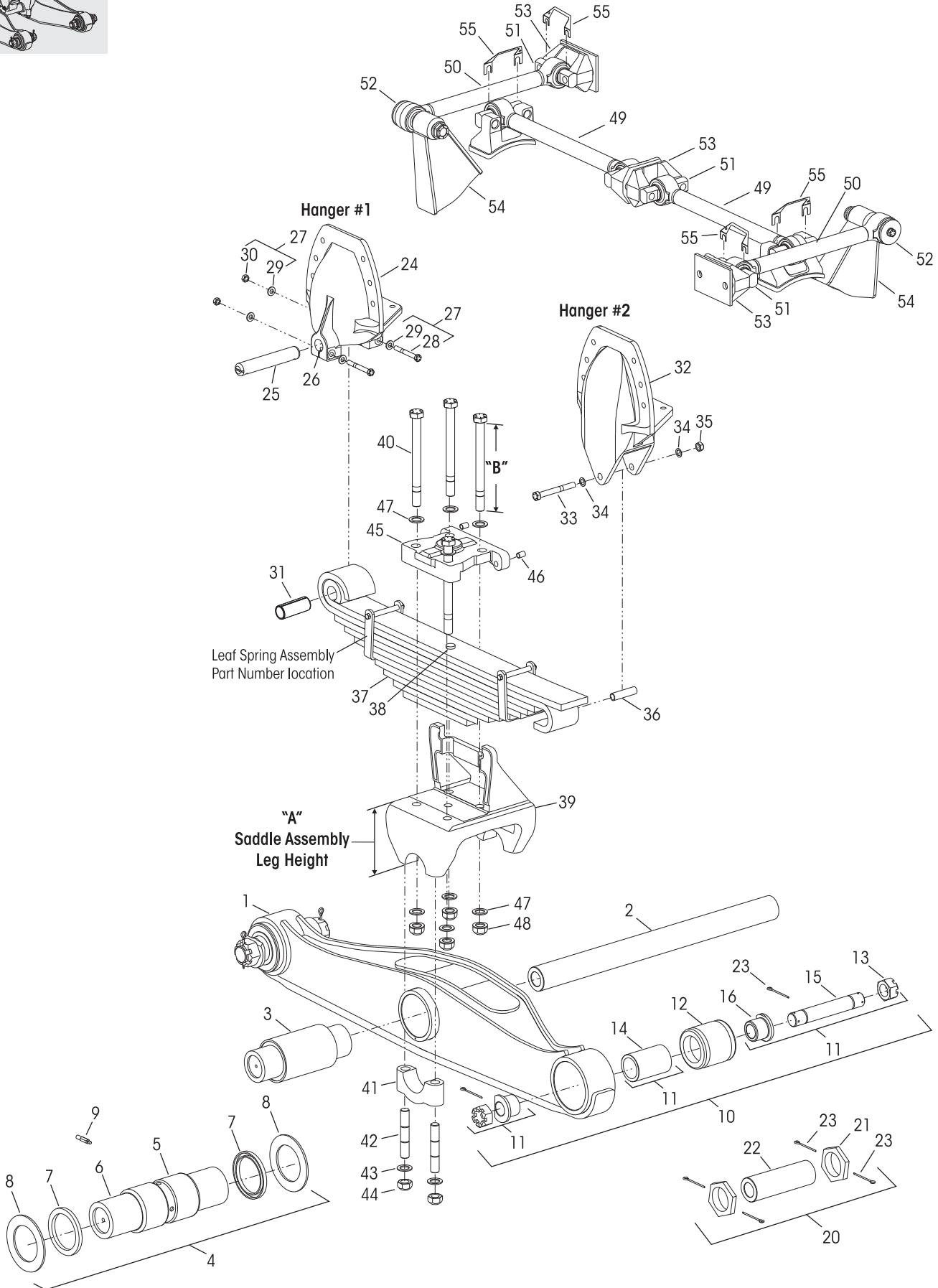
KEY NO.	PART NO.	DESCRIPTION	VEHICLE QTY.
	29828-023	Rebound Bolt & Spacer Service Kit, One Hanger Includes Key Nos. 29-32	
29	22962-011	$\frac{1}{2}$ " Hardened Washer	4
30	24531-005	$\frac{1}{2}$ "-13 UNC x 6 $\frac{1}{2}$ " Bolt	2
31	49846-000	$\frac{1}{2}$ "-13 UNC Locknut	2
32	00194-000	Rebound Bolt Spacer	2
33		RTE Extended Leaf Spring Hanger #3 <i>See Selection Guide 45745-038</i>	2
34		Spring Assembly	2
	a	47057-000 RT 48K-52K	
	b	45322-000 RTE 48K	
35	66662-001	$\frac{5}{8}$ " Center Bolt, Cut to Length, <i>Replaces 05069-000</i>	2
36	35064-000	Top Pad	2
	35370-002	Set Screw Service Kit, One Set Includes Key Nos. 37-39	
37	06813-000	$\frac{3}{4}$ "-10 UNC Square Head Set Screw	4
38	17339-000	$\frac{3}{4}$ " Set Screw Lock washer	4
39	17342-000	$\frac{3}{4}$ "-10 UNC Set Screw Locknut	4
40	30550-XXX	1 $\frac{1}{4}$ "-14 UNS Top Pad Bolt, <i>see Selection Guide on Page 394</i>	8
41	22962-006	1" Hardened Washer	16
42	08017-000	1 $\frac{1}{4}$ "-14 UNS Locknut	8
43		Saddle Assembly, Specify Leg Height-Dim. "A" Includes Key Nos. 44-47	2
	31017-053	6" Height, (Casting No. 32796)	
	31017-077	7 $\frac{3}{8}$ " Height, (Casting No. 47476 or 47665)	
	31017-108	11" Height, (Casting No. 50965)	
44	58795-000	Saddle Cap, <i>Replaces 48545-000</i>	4
45	06696-000	$\frac{7}{8}$ "-14 UNF Saddle Cap Stud	8
46	22962-002	$\frac{7}{8}$ " Saddle Cap Washer	8
47	04842-000	$\frac{7}{8}$ "-14 UNF Saddle Cap Nut	8
48		***One-piece Longitudinal Torque Rod Assembly, Straddle/Straddle, Specify Length in mm ULTRA ROD, Includes Key No. 50a	
	62000-XXX	Front	1
	62001-XXX	Rear	1
	72000-XXX	ULTRA ROD PLUS, Includes Key No. 50b	
	72001-XXX	Front	1
		Rear	1
49		****One-piece Transverse Torque Rod Assembly, Straddle/Taper, Specify Length in mm ULTRA ROD, Includes Key Nos. 50a-51a ULTRA ROD PLUS, Includes Key Nos. 50b-51b XTRB, Includes Key Nos. 50c-51c	2
	62350-XXX	ULTRA ROD, Includes Key Nos. 50a-51a	
	72350-XXX	ULTRA ROD PLUS, Includes Key Nos. 50b-51b	
	92350-XXX	XTRB, Includes Key Nos. 50c-51c	
50		Straddle Bushing	6
	a	47691-000L ULTRA ROD	
	b	64400-002L ULTRA ROD PLUS	
	c	66649-002L XTRB	
51		Taper Bushing	2
	a	64697-000L ULTRA ROD	
	b	64400-004L ULTRA ROD PLUS	
	c	66649-004L XTRB	
		Two-Piece Torque Rod Assembly with Bushings Service Kit	
	60218-000	ULTRA ROD Straddle/Straddle	
	60215-000	ULTRA ROD Straddle/Taper	
	65781-000	ULTRA ROD PLUS Straddle/Taper	
	65781-001	XTRB Straddle/Straddle	
	65781-002	XTRB Straddle/Taper	
52	22186-000	Torque Rod Bracket	4
53	45045-003	Back-up Plate (for Torque Rod)	2
54		*Transverse Rod Axle Bracket	2
55	49689-000L	Torque Rod Shim	As Req.
Not Shown	70867-001	P-80 Lubricant - 10 ml Per Rubber Bushing	1



65K • 70K Capacity



PARTS LISTS





VEHICLE		VEHICLE					
KEY NO.	PART NO.	DESCRIPTION	QTY.	KEY NO.	PART NO.	DESCRIPTION	QTY.
1		Equalizing Beam Assembly <i>See Selection Guide 45745-147</i>	2	27	46825-001	Forward Hanger Spring Mounting Service Kit, One Hanger , Includes Key Nos. 28-30	
2	10397-XXX	Cross Tube, <i>see Selection Guide on Page 394</i>	1	28	24531-009	½"-13 UNC x 4" Bolt	4
3	10366-000L	Rubber Center Bushing	2	29	22962-011	½" Hardened Washer	8
4	45374-000	Bronze Center Bushing Service Kit, Two Beams , Includes Key Nos. 5-9		30	49846-000	½"-13 UNC Locknut	4
5	30240-005	Bronze Center Bushing	2	31		Spring Eye Bushing	2
6	25102-000	Beam Center Sleeve	2		22285-000	Bronze 1½" I.D.	
7	31577-000	Beam Center Seal	4		50592-000	Steel Bushing 1½" I.D.	
8	45261-000	Thrust Washer	4	32		Rear Spring Hanger #2 <i>See Selection Guide 45745-038</i>	2
9	30087-000	Grease Fitting	As Req.		29828-033	Rear Hanger Spring Mounting Service Kit, One Hanger , Includes Key Nos. 33-36	
10		Rubber End Bushing and Adapter Service Kit, Tandem Set , for 6" Bushing, Includes Key Nos. 12a and 21140-007 Fastener Kit		33	21867-023	¾"-16 UNF x 6½" Bolt	2
	60872-010	for 7" Bushing, Includes Key Nos. 12b, and 21140-004L Fastener Kit		34	22962-001	¾" Flat Washer	4
	60872-011			35	30191-000	¾"-16 UNF Locknut	2
		Rubber End Bushing and Adapter Service Kit, One Wheel End , for 6" Bushing, Includes Key Nos. 12a and 21140-007 Fastener Kit		36	02276-000	Rebound Bolt Spacer	2
	34013-052	for 7" Bushing, Includes Key Nos. 12b, and 21140-004L Fastener Kit		37		Spring Assembly, Includes Key No. 6	2
	34013-110				27535-000	Spring Rate 27,300 lb.	
	34013-072	Rubber End Bushing and Tube/Nut Service Kit, One Wheel End , Includes Key Nos. 13 and 21140-006 Fastener Kit			02056-000	Spring Rate 29,400 lb. (Bronze Bushing)	
11		Adapter Fastener Service Kit, One Wheel End , (Bushings not included)			58596-000	Spring Rate 29,400 lb. (Steel Eye Bushing)	
	21140-007	for 6" Bushing includes 13, 15-16, 23			57961-000	Spring Rate 44,400 lb.	
	21140-004L	for 7" Bushing includes 13, 15-16, 18, 23,		38	66662-001	5/8" Center Bolt, Cut to Length, <i>Replaces 05069-000</i>	2
	21140-027	for 6" Bushing includes 13-16, 18, 23		39		Saddle Assembly, Specify Height-Dim. "A" Includes Key Nos. 41-44	2
	21140-031	for 6" Bushing includes 13, 15-16, 19, 23			31017-004	7½" Ht. (Casting No. 15784, 46895 or 48497)	
	21140-052	for 6" Bushing includes 13, 15-16, 18, 23			31017-071	9¾" Ht. (Casting No. 15784 or 46673-001)	
	21140-026	for 7" Bushing includes 13, 15-16, 18, 23			31017-070	10½" Ht. (Casting No. 15784 or 46673-002)	
	21140-043	for 7" Bushing includes 13, 15-18, 23			31017-069	11 1/8" Ht. (Casting No. 15784 or 46673-002)	
12		Rubber End Bushing	4	40	30550-XXX	1"-14 UNS Top Pad Bolt, <i>see Selection Guide on Page 394</i>	8
a	10363-000L	6" Length		41	15785-000	Saddle Cap	4
b	10364-000L	7" Length		42	10948-000	1"-14 UNS Saddle Cap Stud	8
13	17491-022	1 7/8" 12 UNF Slotted Nut	8	43	22962-006	1" Hardened Washer	8
14		Adapter Tube	4	44	08017-000	1"-14 UNS Locknut	8
15		Beam End Shaft	4	45	19199-000	Top Pad (Casting No. 35431 or 48491) <i>Replaces 54112-000</i>	2
16		Beam End Adapter	8	46	19201-002	¾"-10 UNC x 1 3/4" Internal Hex Head Set Screw	4
17	46628-000	1 7/8" Hex Nut (Not Shown)	4	47	22962-006	1" Hardened Washer	16
18	45456-000	Thrust Washer (Not Shown)	4	48	08017-000	1"-14 UNS Locknut	8
19	48852-000	Split Adapter (Not Shown)	8	49	72100-XXX	***One-piece Longitudinal Torque Rod Assembly, 2 Straddle/Straddle, Specify Length in mm ULTRA ROD PLUS, Includes Key No. 51a	2
20	21140-006	Threaded Tube/Nut Service Kit, One Wheel End Includes Key Nos. 21-23		50		****One-piece Transverse Torque Rod Assembly, 2 Straddle/Taper, Specify Length in mm ULTRA ROD PLUS, Includes Key Nos. 51a-52a XTRB, Includes Key Nos. 51b-52b	2
21	10371-000	3" - 12 UNF - 2B Nut	8		72850-XXX		
22	10372-000	Threaded Tube	4		92950-XXX		
23	17800-010	Cotter Pin	16	51		Straddle Bushing	6
24		Forward Spring Hanger #1 <i>See Selection Guide 45745-038</i>	2	a	64400-003L	ULTRA ROD PLUS	
	29828-032	Spring Mounting Service Kit, One Hanger , Includes Key Nos. 25, 26, 28-30, 33-36		b	66649-003L	XTRB	
25	45797-000L	Pin 1½" Diameter (Double Lock)	2	52		Taper Bushing	2
26	33117-000	Lube Fitting	As Req.	a	64400-006L	ULTRA ROD PLUS	
				b	66649-004L	XTRB	
				53	46015-000	Torque Rod Bracket	4
				54		*Transverse Torque Rod Axle Bracket	2
				55	67779-002	Torque Rod Shim	As Req.
				Not Shown	70867-001	P-80 Lubricant - 10 ml Per Rubber Bushing	1



■ Cross Tube and Top Pad Bolts Selection Guide

Key No. 2
Pages 389, 391, 393

Cross Tubes							
34K		34K • 40K • 46K • 48K		52K		65K • 70K	
Length	Part Number	Length	Part Number	Length	Part Number	Length	Part Number
33 ⁷ / ₈ "	44642-020	33 ⁷ / ₈ "	44643-027	46"	07622-003	34 ³ / ₄ "	10397-015
36 ¹ / ₂ "	44642-022	40 ³ / ₄ "	44643-011	53"	07622-018	40"	10397-018
42"	44642-009	42"	44643-008	64"	07622-031	40 ³ / ₄ "	10397-014
44 ⁷ / ₈ "	44642-008	44 ⁷ / ₈ "	44643-009	68"	07622-014	41"	10397-019
		46"	44643-003			41 ³ / ₄ "	10397-009
		47"	44643-002			42"	10397-001
		48"	44643-001			42 ¹ / ₂ "	10397-021
		49 ¹ / ₄ "	44643-024			43 ³ / ₄ "	10397-017
		51"	44643-015			44 ³ / ₄ "	10397-002
		53"	44643-018			46"	10397-010
		54 ¹ / ₂ "	44643-017			46 ¹ / ₂ "	10397-020
		57"	44643-010			47 ¹ / ₂ "	10397-027
		64"	44643-028			50"	10397-013
		68"	44643-014			51 ¹ / ₄ "	10397-003
		77"	44643-029			52 ³ / ₄ "	10397-006
						54"	10397-025
						56 ¹ / ₂ "	10397-016
						61 ¹ / ₄ "	10397-008
						62 ³ / ₄ "	10397-031
						67 ¹ / ₂ "	10397-004
						75 ³ / ₄ "	10397-029

Key No. 40
Pages 389, 391, 393

Top Pad Bolts	
1" 14 UNS-2A	
Length	Part Number
8 ¹ / ₄ "	30550-018
8 ¹ / ₂ "	30550-019
8 ³ / ₄ "	30550-001
9"	30550-002
9 ¹ / ₄ "	30550-003
9 ¹ / ₂ "	30550-004
9 ³ / ₄ "	30550-005
10"	30550-006
10 ¹ / ₄ "	30550-007
10 ¹ / ₂ "	30550-008
10 ³ / ₄ "	30550-009
11"	30550-010
11 ¹ / ₄ "	30550-011
11 ¹ / ₂ "	30550-012
11 ³ / ₄ "	30550-013
12"	30550-014
16 ⁵ / ₈ "	30550-028

Key No. 3
Pages 389, 391

*Corresponding Center Bushing End Plug for Cross Tube Replacement 34K through 52K Only		
	Rubber Center Bushing Part Number	**End Plug Part Number
34K	06664-000L • 22279-000L	22278-000
34K • 40K	49400-000L • 49600-000L	22281-000
34K • 40K • 46K • 48K • 52K	29483-005L • 34013-097L	

NOTES: ♦ Hendrickson recommends on higher capacity walking beam suspensions, removal of the equalizing beam to replace the cross tube. Refer to Hendrickson publication 17730-070 for 65K cross tube replacement.
♦♦ End Plugs are not needed if equipped with bronze center bushings.

NOTES: * Not supplied by Hendrickson, used for reference only. Hendrickson is not responsible for components supplied by the vehicle manufacturer. For assistance with maintenance and rebuild instructions on these components see vehicle manufacturer.
** Item included in kit/assembly only, part not sold separately.
*** Hendrickson's part number is stamped on the torque rod for identification. Be sure to include the suffix number when ordering, this number indicates rod length. Hendrickson's two-piece ULTRA ROD • ULTRA ROD PLUS can be used to create the desired length, refer to Torque Rod Selection Guide 45745-148.
**** Transverse torque rods are mandatory for the RT • RTE rear suspension regardless of axle spacing, refer to Hendrickson Literature No. 59310-004 and 59310-058.





Rosenbauer 9½" Ride Height • KME 10" Ride Height

54K Capacity

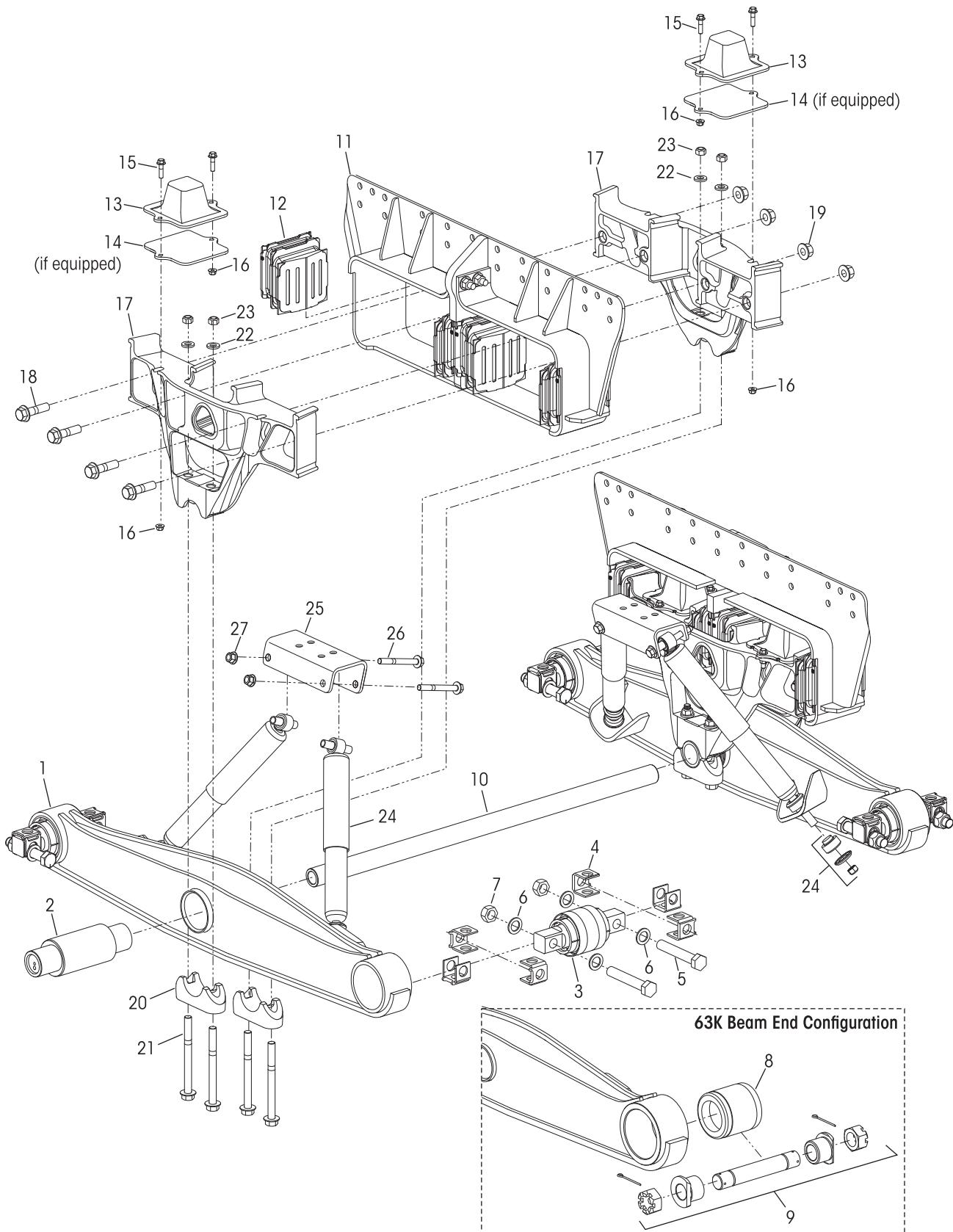
Seagrave 9½" – 10¼" – 11½" Ride Height

58K Capacity

Rosenbauer 10½" Ride Height • KME 10" Ride Height

63K Capacity

PARTS LISTS





KEY NO.	PART NO.	DESCRIPTION	VEHICLE QTY.	KEY NO.	PART NO.	DESCRIPTION	VEHICLE QTY.
1	78489-540	Equalizing Beam Assembly with Shock Bracket	2		60961-749	Shear and Progressive Load Spring Service Kit, One Side , Includes Key Nos. 12-13,15-16, 18-19,21-23,28	
	78634-540	54K - Rosenbauer, KME; 58K - Seagrave, Includes Key Nos. 2-3			60961-750	Shear Spring Service Kit, One Side , Includes Key Nos. 12, 18-19,21-23,28	
	78634-560	63K - KME, Includes Key Nos. 2, 8					
		Equalizing Beam Bushing Service Kits		12		*Shear Spring	8
		• 54K/58K Bar Pin Style			60961-751	Progressive Load Spring Service Kit, One Side , Includes Key Nos. 13, 15-16	
	60961-755	Center and End Bushing, One Beam , Includes Key No. 2-3,5-7, 21-23		13		*Progressive Load Spring	4
	60961-752	End Bushing, One Wheel End , Includes Key Nos. 3-7		14	70824-001	Spacer, 63K only	4
		End Bushing Fasteners , Includes Key Nos. 5-7			34013-196	Progressive Load Spring Fasteners Service Kit, One Side , Includes Key Nos. 15-16	
	56659-001	Tandem		15		*M10 x 1.5 x 40 mm 6G Flange Bolt	8
	56659-005	One Beam		16		*M10 x 1.5 Flange Lock Nut	8
	34013-104	One Wheel End		17	70886-000	Saddle	4
		• 63K Through Bolt Style			34013-197	Saddle Only Fastener Kit, One Side , Includes Key Nos. 18-19	
	34013-052	End Bushing and Adapter Service Kit, One Wheel End , Includes Key Nos. 8-9		18		*M20 x 1.5 x 75 mm Flange Bolt	8
2		Center Bushing	2	19		*M20 x 1.5 Flange Nut	8
3		*Bar Pin End Bushing Assembly, 54K/58K, Includes Key No. 4a		20	77205-001	Saddle Cap	4
4		Bar Pin Shim	8		60961-768	Saddle Cap Fastener Service Kit, One Side , Includes Key Nos.21-23	
a	50130-000	0.19"/0.19" Standard		21		*M16 x 2 x 6G x 180 mm Flange Bolt	8
b	50131-000	0.25"/0.12" Optional		22		*M16 Flat Washer	8
c	57026-000	0.375" Optional flat shim		23		*M16 x 2 x 6H Nut	8
5		*1"-8 UNC x 6" Bolt	8	24		Shock Absorber	4
6		*1" Hardened Washer	16		60680-015L	9½" Ride Height - 54K Rosenbauer, 58K Seagrave	
7		*1"-8 UNC Locknut	8		60680-016L	10¼", 11½" Ride Height - 58K Seagrave	
8		*End Bushing, 63K	4			10" Ride Height - 54K and 63K KME	
9	21140-007	End Bushing Adapter Assembly, 63K	4			10½" Ride Height - 63K Rosenbauer	
	60961-759	Cross Tube Service Kit , Includes Key No. 10 and Weldable Loose Plug (Not Shown)		25		Upper Shock Bracket	2
10	44642-008	Cross Tube - 1140 mm	1		77591-002	54K/63K Rosenbauer	
11		Frame Hanger	2		77591-006	54K/63K KME	
		• 34" Width - 54K/63K KME			77591-007	58K Seagrave	
	78726-001	10" Ride Height			60961-818	Upper Shock Fasteners Service Kit, One Beam , Includes Key Nos. 26-27	
		• 34⅞" Width - 58K Seagrave		26		*M16 x 2 x 140 mm Flange Bolt	4
	78592-002	9½" and 10¼" Ride Height		27		*M16 x 2 Flange Nut	4
	78592-005	11½" Ride Height		28	70867-001	P-80 Lubricant - 10 ml (Not Shown)	As Req.
		• 35" Width - Rosenbauer					
	70912-005	10½" Ride Height, 63K					
	70912-206	9½" Ride Height, 54K					

PARTS LISTS

NOTES: * Item included in service kit/assembly only, part not sold separately.

** Transverse rods are mandatory for the ULTIMAAX rear suspension regardless of axle spacing.

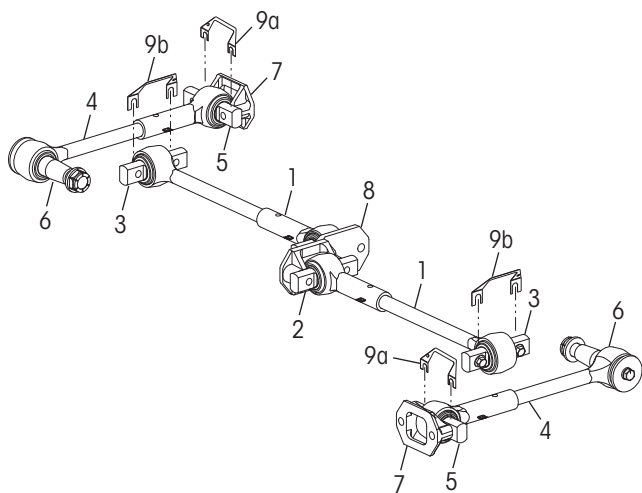
Hendrickson **ULTIMAAX Gauge Card** Literature No. 48422-592 can be obtained on-line at www.hendrickson-intl.com/Liform to measure in unloaded condition (1) the length of cut/split, (2) depth of separation and (3) the height of the progressive load spring (PLS).



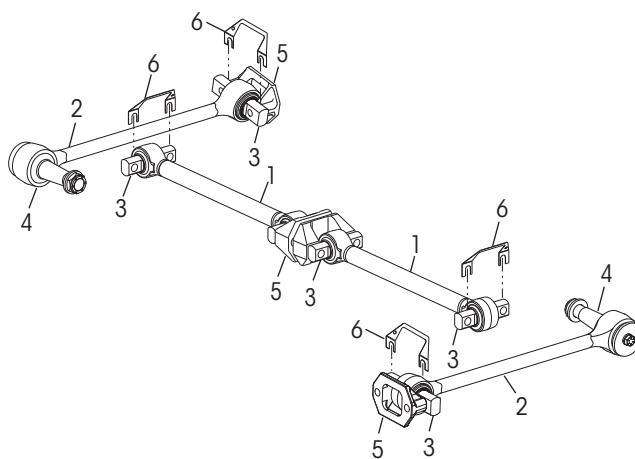
PARTS LISTS

Torque Rod Configuration

54K/63K – Rosenbauer
 9.5" and 10½" Ride Height
54K/63K – KME 10" Ride Height



58K – Seagrave
 9½", 10¼" and 11½" Ride Height



KEY NO.	PART NO.	DESCRIPTION	VEHICLE QTY.
1		Two-piece Longitudinal Torque Rod Straddle/Straddle	2
	65781-005	Rosenbauer, Includes Key Nos. 2a, 3	
	65781-006	KME, Includes Key Nos. 2b, 3	
2		XTRB Straddle Bushing to Cross Member Bracket	2
a	66649-005L	Rosenbauer	
b	66649-002L	KME	
3	66649-003L	XTRB Straddle Bushing to Axle Bracket	2
4	65781-002	*Two-piece Transverse Torque Rod, Straddle/Taper, Includes Key Nos. 5-6	2
5	66649-002L	XTRB Straddle Bushing	2
6	66649-004L	XTRB Taper Bushing	2
7	22186-000	Torque Rod Frame Bracket	2
8		Torque Rod Cross Member Bracket	2
a	30828-000	Rosenbauer	
b	22186-000	KME	
9		Torque Rod Shim	As Req.
a	49689-000L	111 mm	
b	67779-002	133 mm	

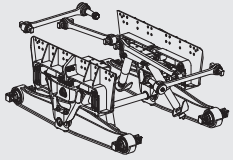
KEY NO.	PART NO.	DESCRIPTION	VEHICLE QTY.
1		ULTRA ROD® PLUS™ Longitudinal Torque Rod, Straddle/Straddle, Includes Key No. 3	
	72100-495	Front, Seagrave	1
	72100-635	Rear, Seagrave	1
2	72950-610	*ULTRA ROD PLUS Transverse Torque Rod, Straddle/Taper, Includes Key Nos. 3-4	2
3	64400-003L	ULTRA ROD PLUS Straddle Bushing	6
4	64400-004L	ULTRA ROD PLUS Taper Bushing	2
5	46015-000	Torque Rod Frame Bracket	4
6	67779-002	Torque Rod Shim - 133 mm	As Req.

NOTE: * Transverse torque rods are mandatory for the ULTIMAAX rear suspension regardless of axle spacing.



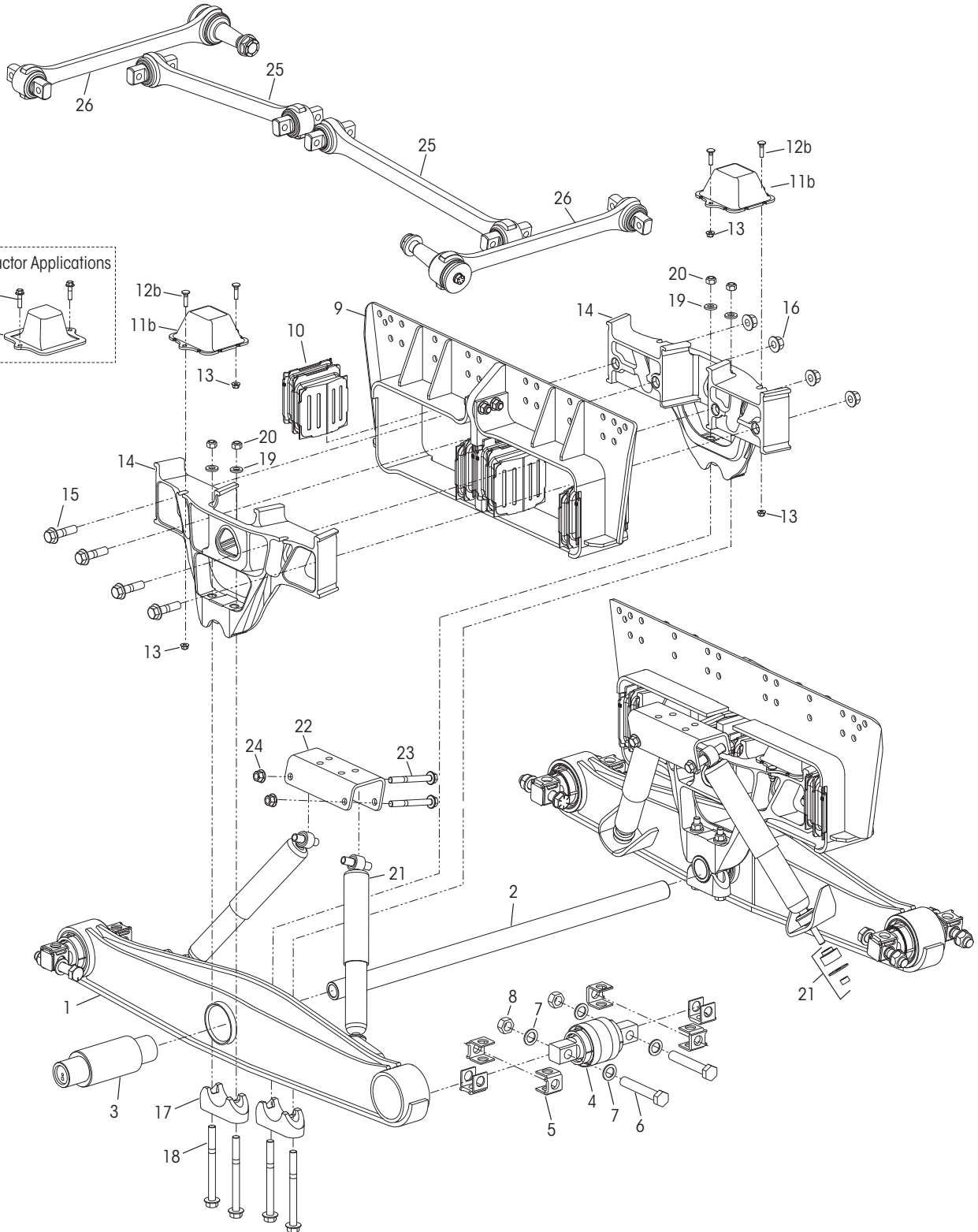
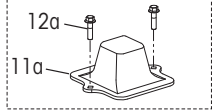


46K • 52K Capacity



PARTS LISTS

For Tractor Applications





KEY NO.	PART NO.	DESCRIPTION	VEHICLE QTY.	KEY NO.	PART NO.	DESCRIPTION	VEHICLE QTY.
1	78489-540	Equalizing Beam Assembly with Shock Bracket 54" Beam Length, Includes Key Nos. 3-4	2			Progressive Load Spring Fasteners Service Kit, One Side	
	60961-759	Cross Tube Service Kit , Includes Key No. 2 and Weldable Loose Plug (Not Shown)			34013-196	Tractor, Includes Key Nos. 12a-13	
2	44642-008	Cross Tube - 1140 mm	1		60961-812	Truck, Includes Key Nos. 12b-13	
	60961-755	Equalizing Beam Bushings Service Kit, One Beam , Includes Key No. 3-4, 6-8, 18-20		12		*M10 x 1.5 x 6G Bolt	8
3	69538-000L	Center Bushing	2	a		Tractor, Flange Bolt, 40 mm	
	60961-752	End Bushing Service Kit, One Wheel End , Includes Key Nos. 4-8		b		Truck, Round Head Square Neck Bolt, 35 mm	
4		*Bar Pin End Bushing Assembly, Includes Key No. 5a		13		*M10 x 1.5 Flange Locknut	8
5		Bar Pin Shim	8	14	70886-000	Saddle Assembly	4
a	50130-000	0.19" / 0.19" Standard			34013-197	Saddle Only Fasteners Service Kit, One Side , Includes Key Nos. 15-16	
b	50131-000	0.25" / 0.12" Optional		15		*M20 x 1.5 x 75 mm Flange Bolt	8
c	57026-000	0.375" Optional flat shim		16		*M20 x 1.5 Flange Nut	8
		End Bushing Fasteners Service Kit , Includes Key Nos. 6-8		17	77205-001	Saddle Cap	4
	56659-001	Tandem			60961-768	Saddle Cap Fasteners Service Kit, One Side , Includes Key Nos. 18-20	
	56659-005	One Beam		18		*M16 x 2 x 6G x 180 mm Flange Bolt	8
	34013-104	One Wheel End		19		*M16 Flat Washer	8
6		*1"-8 UNC x 6" Bolt	8	20		*M16 x 2 x 6H Nut	8
7		*1" Hardened Washer	16	21		**Shock Absorber	4
8		*1"-8 UNC Locknut	8	a	60680-015L	46K	
9		Frame Hanger, 34.75" Width, 9.5" Ride Height	2	b	60680-016L	52K	
	80579-002	46K, 7" Axle Drop		22	77591-006	Upper Shock Bracket	4
	80579-003	52K, 7" Axle Drop			60961-818	Upper Shock Fasteners Service Kit, One Beam , Includes Key Nos. 23-24	
	80579-004	52K, 7¾" Axle Drop		23		*M16 x 2 x 140 mm Flange Bolt	4
		Shear and Progressive Load Spring Service Kit, One Side		24		*M16 x 2 Flange Nut	4
	60961-749	Tractor, Includes Key Nos. 10, 11a, 12a, 13, 15-16, 18-20, 28		25		TRAAX ROD™ Longitudinal Torque Rod, Straddle/Straddle, Includes Straddle Bushings	2
	60961-771	Truck, Includes Key Nos. 10, 11b, 12b, 13, 15-16, 18-20, 28			8240-0001-600	Front (Standard)	
	60961-750	Shear Spring Service Kit, One Hanger , Includes Key Nos. 10, 15-16, 18-20, 28			8240-0001-605	Front (Alternate)	
10		*Shear Spring	8		8240-0001-725	Rear (Standard)	
		Progressive Load Spring Service Kit, One Side			8240-0001-730	Rear (Alternate)	
	60961-751	Tractor, Includes Key Nos. 11a, 12a, 13			8240-0001-745	Rear (Alternate)	
	60961-822	Truck, Includes Key Nos. 11b, 12b, 13		26	8244-0099-610	***TRAAX ROD Transverse Torque Rod Straddle/Taper, Includes Straddle and Taper Bushings	2
11		*Progressive Load Spring	4			Torque Rod Shim (Not Shown)	As Req.
a		Tractor		27	49689-000L	Torque Rod Shim (Not Shown)	As Req.
b		Truck		28	70867-001	P-80 Lubricant - 10 ml (Not Shown)	As Req.

PARTS LISTS

NOTES: * Item included in kit/assembly only, part not sold separately.

** Shock absorbers are mandatory for the tractor applications and optional for truck applications.

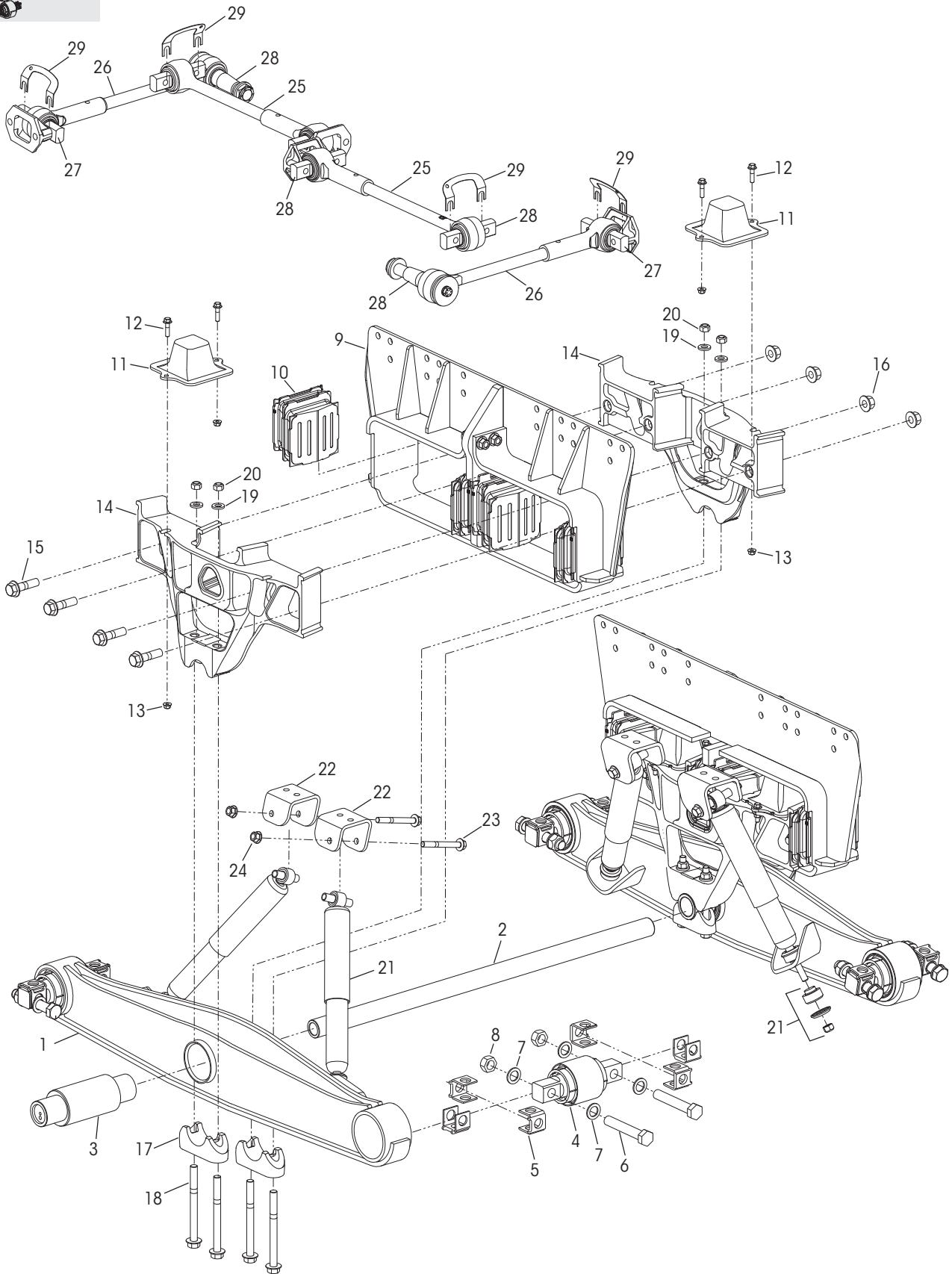
*** Transverse rods are mandatory for the ULTIMAAX rear suspension regardless of axle spacing.

Hendrickson Lit. Nos. 48422-592 (Tractor PLS 77382-001) and **48422-598** (Truck PLS 78897-001) – ULTIMAAX Gauge Card can be used to measure in unloaded condition (1) the height of the progressive load spring (PLS) and (2) the length of cut / split of the shear spring and PLS available online at www.hendrickson-intl.com/Liform.



46K • 52K Capacity

PARTS LISTS





KEY NO.	PART NO.	DESCRIPTION	VEHICLE QTY.	KEY NO.	PART NO.	DESCRIPTION	VEHICLE QTY.
1		Equalizing Beam Assembly with Shock Bracket Includes Key Nos. 3-5a	2		60961-751	Progressive Load Spring Service Kit, One Side, Includes Key Nos. 11-13	
	78489-540	54" Beam Length		11		*Progressive Load Spring	4
	78489-560	56" Beam Length			34013-196	Progressive Load Spring Fasteners Service Kit, One Side, Includes Key Nos. 12-13	
	60961-759	Cross Tube Service Kit, Includes Key No. 2 and Weldable Loose Plug (Not Shown)		12		*M10 x 1.5 x 40 mm 6G Flange Bolt	8
2	44642-008	Cross Tube - 1140 mm	1	13		*M10 x 1.5 Flange Lock Nut	8
	60961-755	Equalizing Beam Bushings Service Kit, One Beam, Includes Key No. 3-4, 6-8, 18-20		14	70886-000	Saddle Assembly	4
3	69538-000L	Center Bushing	2		34013-197	Saddle Only Fasteners Service Kit, One Side, Includes Key Nos. 15-16	
	60961-752	End Bushing Service Kit, One Wheel End, Includes Key Nos. 4-8		15		*M20 x 1.5 x 75 mm Flange Bolt	8
4		*Bar Pin End Bushing Assembly, Includes Key No. 5a		16		*M20 x 1.5 Flange Nut	8
5		Bar Pin Shim	8	17	77205-001	Saddle Cap, <i>Replaces 77374-001</i>	4
a	50130-000	0.19"/0.19" Standard			60961-768	Saddle Cap Fasteners Service Kit, One Side, Includes Key Nos. 18-20	
b	50131-000	0.25"/0.12" Optional		18		*M16 x 2 x 6G x 180 mm Flange Bolt	8
c	57026-000	0.375" Optional flat shim		19		*M16 Flat Washer	8
		End Bushing Fasteners Service Kit, Includes Key Nos. 6-8		20		*M16 x 2 x 6H Nut	8
	56659-001	Tandem		21	60680-015L	Shock Absorber	4
	56659-005	One Beam		22	78630-001	Upper Shock Bracket <i>Replaces 78630-002 (If equipped)</i>	2
	34013-104	One Wheel End			60961-818	Upper Shock Fasteners Service Kit, One Beam, Includes Key Nos. 23-24	
6		*1"-8 UNC x 6" Bolt	8	23		*M16 x 2 x 140 mm Flange Bolt	4
7		*1" Hardened Washer	16	24		*M16 x 2 Flange Nut	4
8		*1"-8 UNC Locknut	8	25		ULTRA ROD® PLUS™ Longitudinal Torque Rod, Straddle/Straddle Includes Key No. 27	2
9		Frame Hanger, 34" Width, 11" Ride Height	2		92000-610S	Front	
	70912-204	7" Axle Hanger Drop			92000-660S	Rear	
	70912-205	7¾" Axle Hanger Drop		26	92350-605S	**ULTRA ROD PLUS Transverse Torque Rod Straddle/Taper Includes Key Nos. 27-28	2
	60961-749	Shear and Progressive Load Spring Service Kit, One Side, Includes Key Nos. 10-13, 15-16, 18-20, 30		27	66649-002L	XTRB Straddle Bushing	6
	60961-750	Shear Spring Service Kit, One Side, Includes Key Nos. 10, 15-16, 18-20, 30		28	66649-004L	XTRB Taper Bushing	2
10		*Shear Spring	8	29	49689-000L	Torque Rod Shim	As Req.
				30	70867-001	P-80 Lubricant - 10 ml (Not Shown)	As Req.

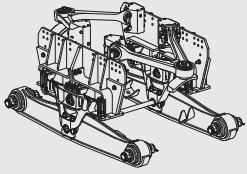
NOTES: * Item included in kit/assembly only, part not sold separately.

** Transverse torque rods are mandatory for the ULTIMAAX rear suspension regardless of axle spacing.

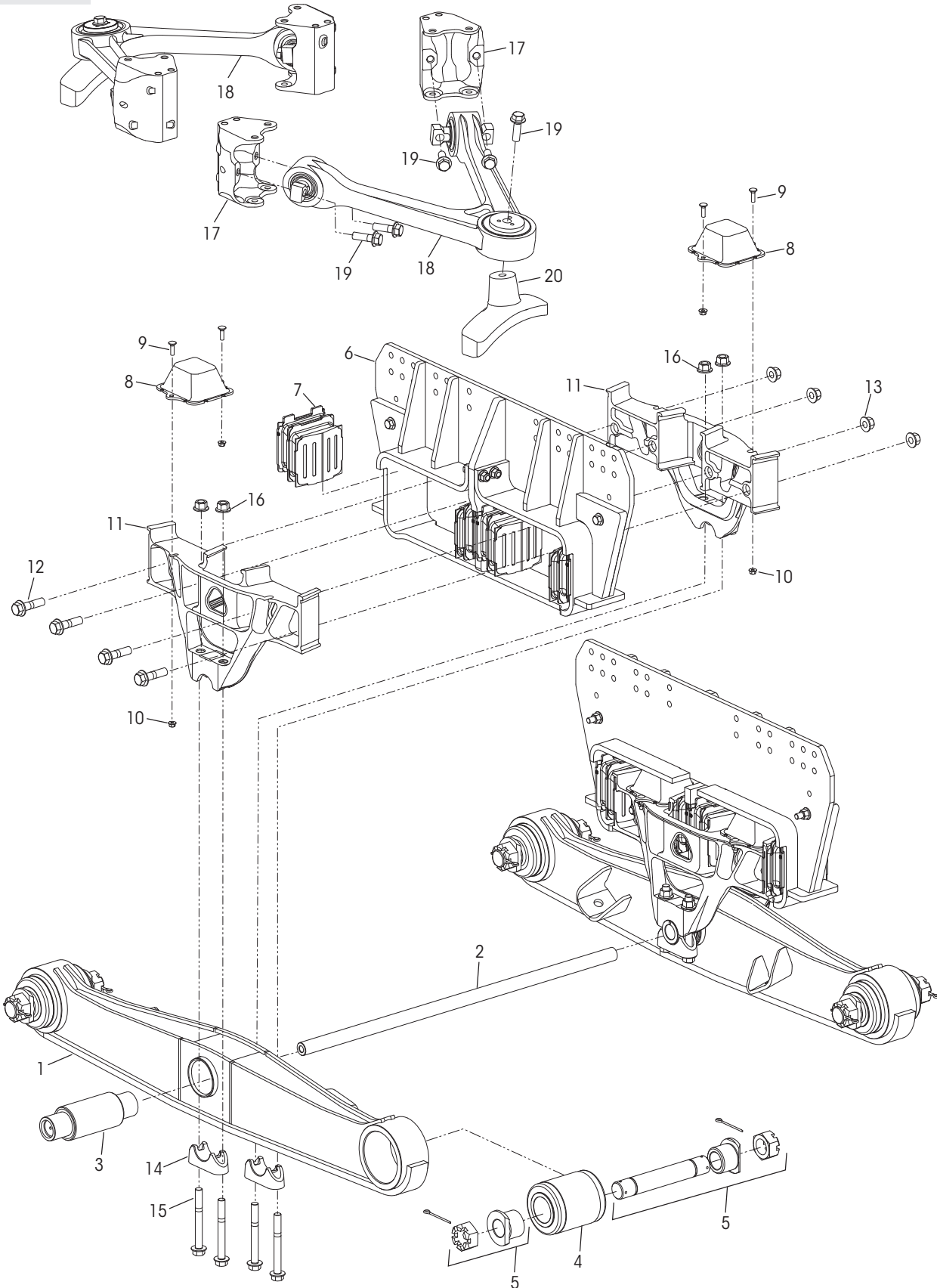
Hendrickson **ULTIMAAX Gauge Card** Literature No. 48422-592 can be obtained on-line at www.hendrickson-intl.com/Litform to measure in unloaded condition (1) the length of cut/split, (2) depth of separation and (3) the height of the progressive load spring (PLS).



60K • 70K Capacity



PARTS LISTS





KEY NO.	PART NO.	DESCRIPTION	VEHICLE QTY.	KEY NO.	PART NO.	DESCRIPTION	VEHICLE QTY.
1		Equalizing Beam Assembly, Includes Key Nos. 3-4	2	6		Frame Hanger	2
	78634-560	60K, 56" Beam Length			80821-003	60K, 6" Bushing	
	78634-600	60K, 60" Beam Length			80821-002	70K, 6" Bushing	
	80192-560	70K, 56" Beam Length, 6" Bushing			80821-001	70K, 7" Bushing	
	80291-560	70K, 56" Beam Length, 7" Bushing			60961-876	Shear and Progressive Load Spring Service Kit, One Side , Includes Key Nos. 7-8, 9-10, 12-13, 15-16, 21	
	80192-600	70K, 60" Beam Length, 6" Bushing			60961-877	Shear Spring Service Kit, One Side , Includes Key Nos. 7, 12-13, 15-16, 21	
	80291-600	70K, 60" Beam Length, 7" Bushing		7		*Shear Spring	8
		Cross Tube Service Kit , Includes Weldable Loose End Plug (Not Shown)			60961-822	Progressive Load Spring Service Kit, One Side , Includes Key Nos. 8-10	
	60961-759	60K, Includes Key No. 2a		8		*Progressive Load Spring	4
	60961-875	70K, Includes Key No. 2b & Circlip (Not Shown)			60961-812	Progressive Load Spring Fasteners Service Kit, One Side , Includes Key Nos. 9-10	
2		Cross Tube, 1140 mm	1	9		*M10 x 1.5 x 35 mm 6G Flange Bolt	8
a	44642-008	60K		10		*M10 x 1.5 Flange Locknut	8
b	78962-001	70K		11	80964-001	Saddle Assembly	4
		Equalizing Beam Bushings Service Kit, One Beam			34013-197	Saddle Only Fasteners Service Kit, One Side , Includes Key Nos. 12-13	
	34013-290	60K, 6" Bushing, Includes Key No. 3a-5a, 15-16		12		*M20 x 1.5 x 75 mm Flange Bolt	8
	34013-291	70K, 6" Bushing, Includes Key No. 3b, 4a-5a, 15-16		13		*M20 x 1.5 Flange Nut	8
	34013-292	70K, 7" Bushing, Includes Key No. 3b-5b, 15-16		14	80965-001	Saddle Cap	4
3		Center Bushing Assembly, includes End Plug	2		60961-879	Saddle Cap Fasteners Service Kit, One Side , Includes Key Nos. 15-16	
a	69538-000L	60K		15		*M20 x 1.5 x 175 mm Flange Bolt	8
b	80539-001	70K, includes Circlip (Not Shown)		16		*M20 x 1.5 Flange Locknut	8
		End Bushing and Adapter Service Kits,		17	78561-001	Corner Bracket	4
		• Tandem		18	76847-000	**V-rod Assembly	2
	60872-010	60K-70K, 6" Bushing, Includes Key No. 4a-5a		19	68754-065	M20 x 2.5 x 65 mm Flange Bolt	10
	60872-011	70K, 7" Bushing, Includes Key No. 4b-5b		20		Axle Apex Bracket, <i>see Table 1 below</i>	2
		• One Wheel End		21	70867-001	P-80 Lubricant - 10 ml (Not Shown)	As Req.
	34013-052	60K-70K, 6" Bushing, Includes Key No. 4a-5a					
	34013-110	70K, 7" Bushing, Includes Key No. 4b-5b					
4		End Bushing	4				
a	10363-000L	60K-70K, 6" Bushing					
b	10364-000L	70K, 7" Bushing					
5		End Bushing Adapter Assembly	4				
a	21140-007	60K-70K, 6" Bushing					
b	21140-004L	70K, 7" Bushing					

NOTES: * Item included in kit/assembly only, part not sold separately.
 ** V-rods are mandatory for the ULTIMAAX rear suspension regardless of axle spacing.

Hendrickson **ULTIMAAX Gauge Card** Literature No. 48422-598 can be obtained on-line at www.hendrickson-intl.com/Liform to measure in unloaded condition (1) the length of cut/split, (2) depth of separation and (3) the height of the progressive load spring (PLS).

TABLE 1

Key No. 20			Axle Apex Bracket Part Number								
80784-XXX – RT70 Axle			80786-XXX – D70 Axle			80913-XXX – RT58 Axle			91005-XXX – D60 Axle		
Pinion Angle	Front Drive	Rear Drive	Pinion Angle	Front Drive	Rear Drive	Pinion Angle	Front Drive	Rear Drive	Pinion Angle	Front Drive	Rear Drive
0	80784-005	80784-105	0	80786-005	80786-105	0	80913-005	80913-105	0	91005-005	91005-105
1	80784-001	80784-101	1	80786-001	80786-101	1	80913-001	80913-101	1	91005-001	91005-101
2	80784-002	80784-102	2	80786-002	80786-102	2	80913-002	80913-102	2	91005-002	91005-102
2.5	80784-025	80784-125	2.5	80786-025	80786-125	2.5	80913-025	80913-125	2.5	91005-025	91005-125
3	80784-003	80784-103	3	80786-003	80786-103	3	80913-003	80913-103	3	91005-003	91005-103
4	80784-004	80784-104	4	80786-004	80786-104	4	80913-004	80913-104	4	91005-004	91005-104
						12.5		80913-106	11		91005-106
						11.75		80913-107	10.25		91005-107
						11		80913-108	9.5		91005-108
						10.5		80913-109	9		91005-109
						10.25		80913-110	8.75		91005-110
						9.5		80913-111	7.75		91005-111

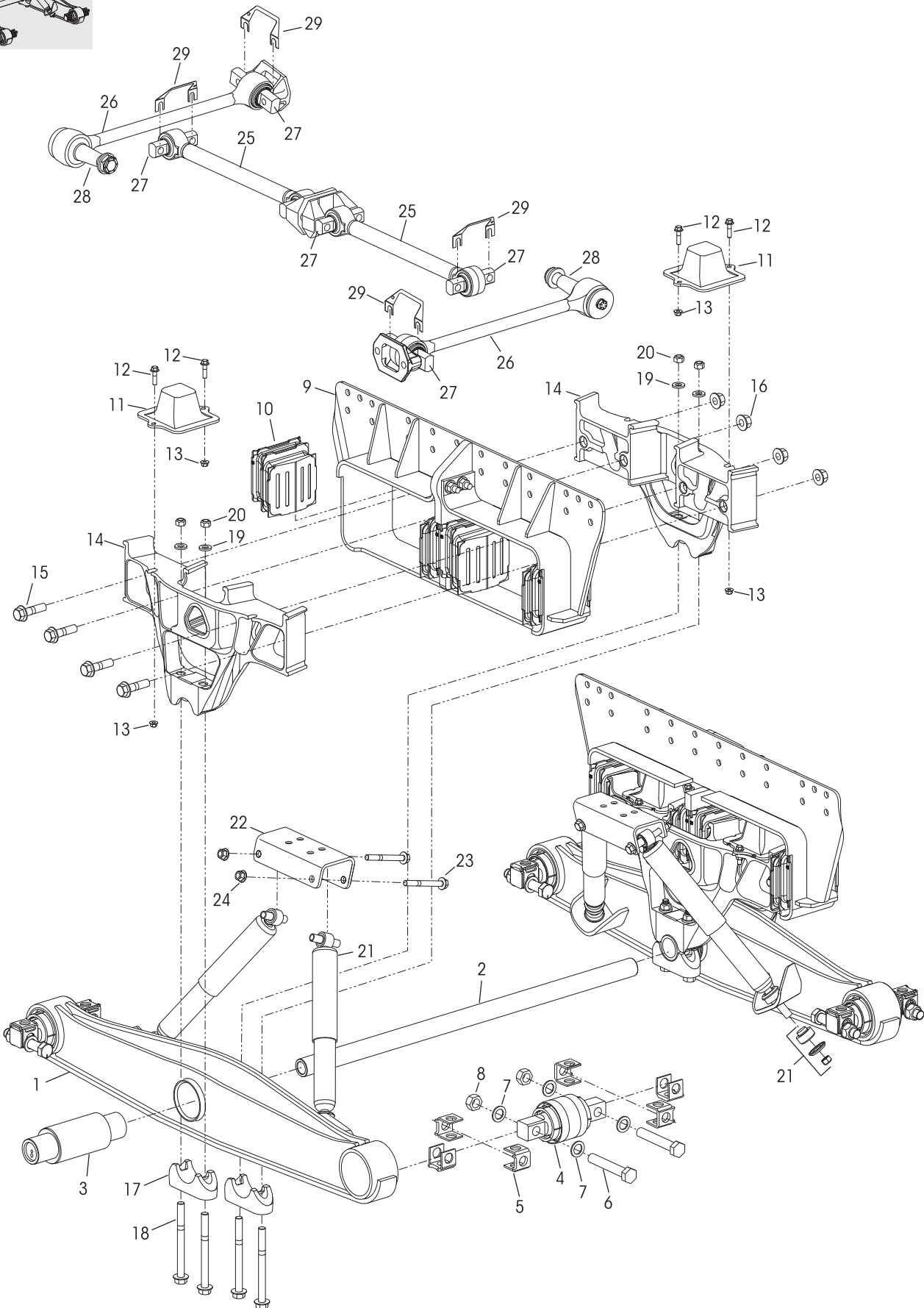
PARTS LISTS



46KSD • 52K Capacity

9½" – 10½" – 11½" Ride Height

PARTS LISTS





KEY NO.	PART NO.	DESCRIPTION	VEHICLE QTY.	KEY NO.	PART NO.	DESCRIPTION	VEHICLE QTY.
1		Equalizing Beam Assembly with Shock Bracket Includes Key Nos. 3-5a	2	10		*Shear Spring	8
	78489-520	52" Beam Length			60961-751	Progressive Load Spring Service Kit, One Side, Includes Key Nos. 11-13	
	78489-560	56" Beam Length		11		*Progressive Load Spring	4
	60961-759	Cross Tube Service Kit, Includes Key No. 2 and Weldable Loose Plug (Not Shown)			34013-196	Progressive Load Spring Fasteners Service Kit, One Side, Includes Key Nos. 12-13	
2	44642-008	Cross Tube - 1140 mm	1	12		*M10 x 1.5 x 40 mm 6G Flange Bolt	8
	60961-755	Equalizing Beam Bushing Service Kit, One Beam, Includes Key No. 3-4,6-8,18-20		13		*M10 x 1.5 Flange Lock Nut	8
3		Center Bushing	2	14	70886-000	Saddle Assembly	4
	60961-752	End Bushing Service Kit, One Wheel End, Includes Key Nos. 4-8			34013-197	Saddle Only Fastener Kit, One Side, Includes Key Nos. 15-16	
4		*Bar Pin End Bushing Assembly, Includes Key No. 5a	4	15		*M20 x 1.5 x 75 mm Flange Bolt	8
5		Bar Pin Shim	8	16		*M20 x 1.5 Flange Nut	8
a	50130-000	0.19"/0.19" Standard		17	77205-001	Saddle Cap, <i>Replaces 77374-001</i>	4
b	50131-000	0.25"/0.12" Optional			60961-768	Saddle Cap Fastener Service Kit, One Side, Includes Key Nos. 18-20	
c	57026-000	0.375" Optional flat shim		18		*M16 x 2 x 6G x 180 mm Flange Bolt	8
		End Bushing Fasteners Service Kit, Includes Key Nos. 6-8		19		*M16 Flat Washer	8
	56659-001	Tandem		20		*M16 x 2 x 6H Nut	8
	56659-005	One Beam		21		Shock Absorber	4
	34013-104	One Wheel End			60680-015L	9½", 10½" Ride Height	
6		*1"-8 UNC x 6" Bolt	8		60680-016L	10½", 11½" Ride Height	
7		*1" Hardened Washer	16	22	77591-002	Upper Shock Bracket	2
8		*1"-8 UNC Locknut	8		60961-818	Upper Shock Fasteners Service Kit, One Beam, Includes Key Nos. 23-24	
9		Frame Hanger, 34" Width	2	23		*M16 x 2 x 140 mm Flange Bolt	4
		• 7" Axle Drop		24		*M16 x 2 Flange Nut	4
	78592-001	9½" Ride Height		25	92000-XXXS	ULTRA ROD® PLUS™ Longitudinal Torque Rod, Straddle/Straddle, Specify Length in mm Includes Key No. 27	2
	78592-002	10½" Ride Height		26	92350-625S	**ULTRA ROD PLUS Torque Rod Transverse Assembly 625 mm, Straddle/Taper, Includes Key Nos. 27-28	2
	78592-004	11½" Ride Height		27	66649-002L	XTRB Straddle Bushing	6
		• 7¾" Axle Drop		28	66649-004L	XTRB Taper Bushing	2
	78592-003	10½" Ride Height		29	49689-000L	Torque Rod Shim	As Req.
	78592-005	11½" Ride Height		30	70867-001	P-80 Lubricant - 10 ml (Not Shown)	As Req.
	60961-749	Shear and Progressive Load Spring Service Kit, One Side, Includes Key Nos. 10-13,15-16, 18-20, 30					
	60961-750	Shear Spring Service Kit, One Side, Includes Key Nos. 10, 15-16, 18-20, 30					

PARTS LISTS

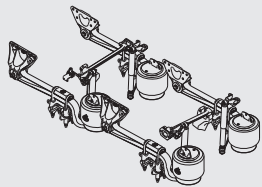
NOTES: * Item included in service kit/assembly only, part not sold separately.

** Transverse rods are mandatory for the ULTIMAAX rear suspension regardless of axle spacing.

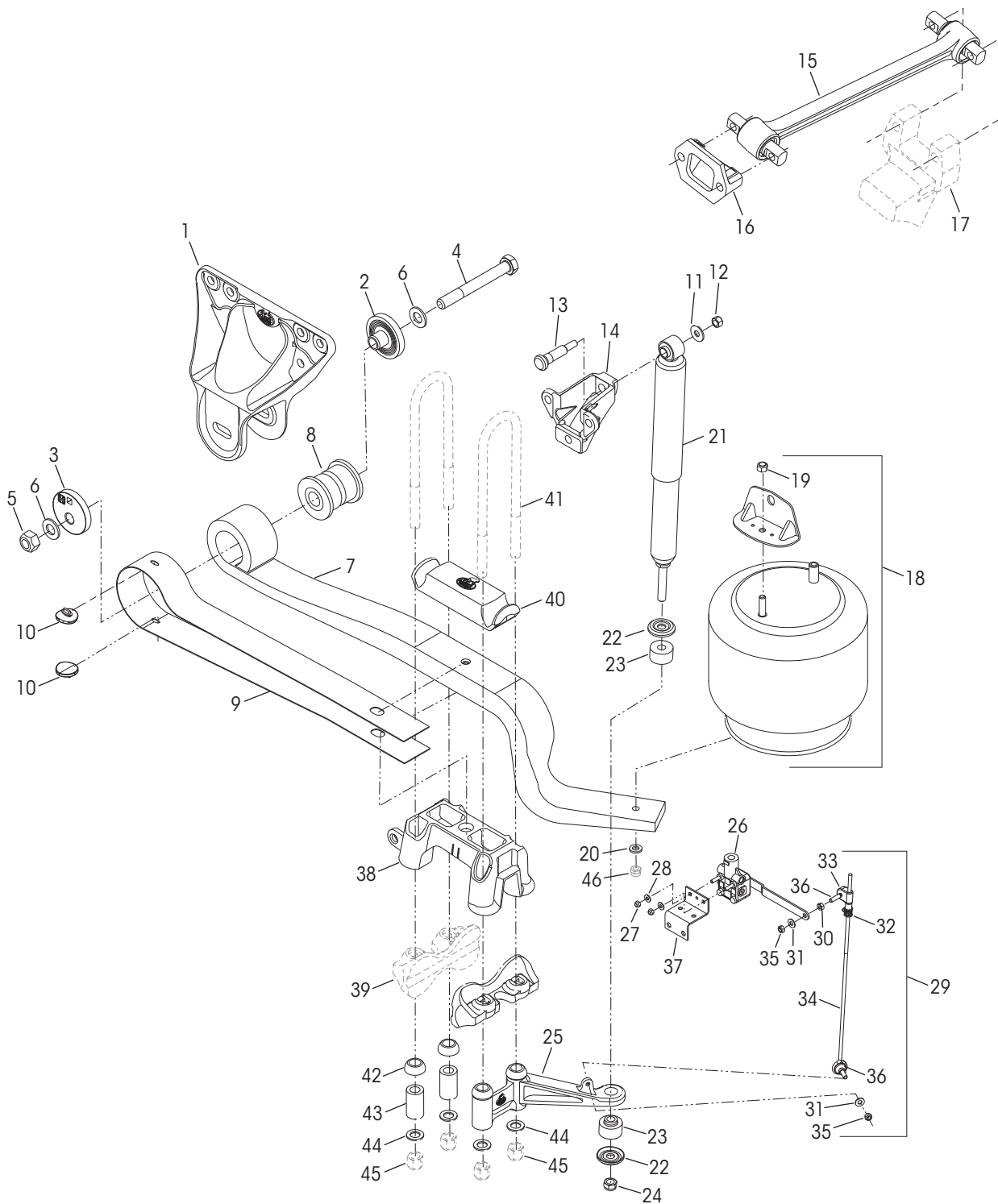
Hendrickson Lit. No. 48422-592 – ULTIMAAX Gauge Card can be used to measure in unloaded condition (1) the height of the progressive load spring (PLS) and (2) the length of cut/split of the shear spring and PLS. Gauge card can be obtained on-line at www.hendrickson-intl.com/Litform



Past Generation – Obsolete January 2004



PARTS LISTS





KEY NO.	PART NO.	DESCRIPTION	VEHICLE *QTY.	KEY NO.	PART NO.	DESCRIPTION	VEHICLE *QTY.
1	58772-001	Frame Hanger Ductile Iron, Standard, <i>Replaces 58694-001</i>	4	23		****Rubber Bushings	
2	60497-000	**QUIK-ALIGN® Concentric Base	6	24		****5/8" UNC Locknut	
	60661-000L	***QUIK-ALIGN Concentric Base Aluminum option	6	25		Lower Shock Bracket	
					58701-001	Left Hand	2
					58702-001	Right Hand	2
3	60496-000	**QUIK-ALIGN Eccentric Base	2	26	59899-000L	Height Control Valve, Includes Key Nos. 27-28	1
	60662-000L	***QUIK-ALIGN Eccentric Base Aluminum Option	2	27		****1/4"-20 UNC Locknut	
4	58705-003	7/8"-9 UNC-2A x 7 1/2" Bolt	4	28		****1/4" Hardened Washer	
	58705-005	***7/8"-9 UNC-2A x 8" Bolt Aluminum Option	4	29	58994-014	Height Control Valve Linkage Assembly Includes Key Nos. 30-36	1
5	60266-000	7/8"-9 UNC-2B Locknut	4	30		****5/16"-18 UNC Nut	
6	22962-034	Hardened Flat Washer	8	31		****3/16" Hardened Washer	
7		Main Support Member, Includes Key Nos. 8-10		32		****Valve Arm Clamp	
	58691-000	Left Hand	2	33		****Valve Arm Joint	
	58768-000	Right Hand	2	34		****Extension Rod	
8		****QUIK-ALIGN Pivot Bushing		35		****5/16"-18 UNC Locknut	
9		****Flexi-Wrap Strip		36		****3/16"-18 UNC Stud	
10		****Rubber Isolator Pad		37	57975-000	Height Control Valve Bracket	1
	58692-000	Shock Frame Hanger Assembly Includes Key Nos. 11-14	4	38		Spring Seat	4
11	22962-031	1/2" Hardened Washer	4		59580-006	Front - 4 1/2°	
12	49846-000	1/2"-13 UNC Locknut	4		64237-003	Rear - 7 1/2°	
13	50368-000	1/2"-13 UNC 3.72" Bolt	4		59582-005	Rear - 12°	
14		****Shock Bracket Cast			59582-008	Rear - 13 1/2°	
15	58757-006	Transverse Rod Assembly	2	39		****Welded Axle Bracket	8
16	22186-000	Transverse Rod Frame Bracket	2	40	58775-002	Top Pad	4
17		****Transverse Rod Axle Bracket	2	41		****3/4" U-bolt	8
18	58786-002	Air Spring Assembly, Includes Key No. 19	4	42	49947-000	Spherical Washer	8
19		****Air Spring Locknut		43	58776-000	U-bolt Spacer Tube	8
20	22962-014	Air Spring Flat Washer	4	44	22962-001	3/4" Flat Washer	16
21	57241-006L	Shock Absorber, Includes Key Nos. 22-24	4	45		****3/4" Locknut	16
22		****Retaining Washers		46		****Air Spring Locknut	4

NOTES: * Quantities specified are shown for tandem suspension.

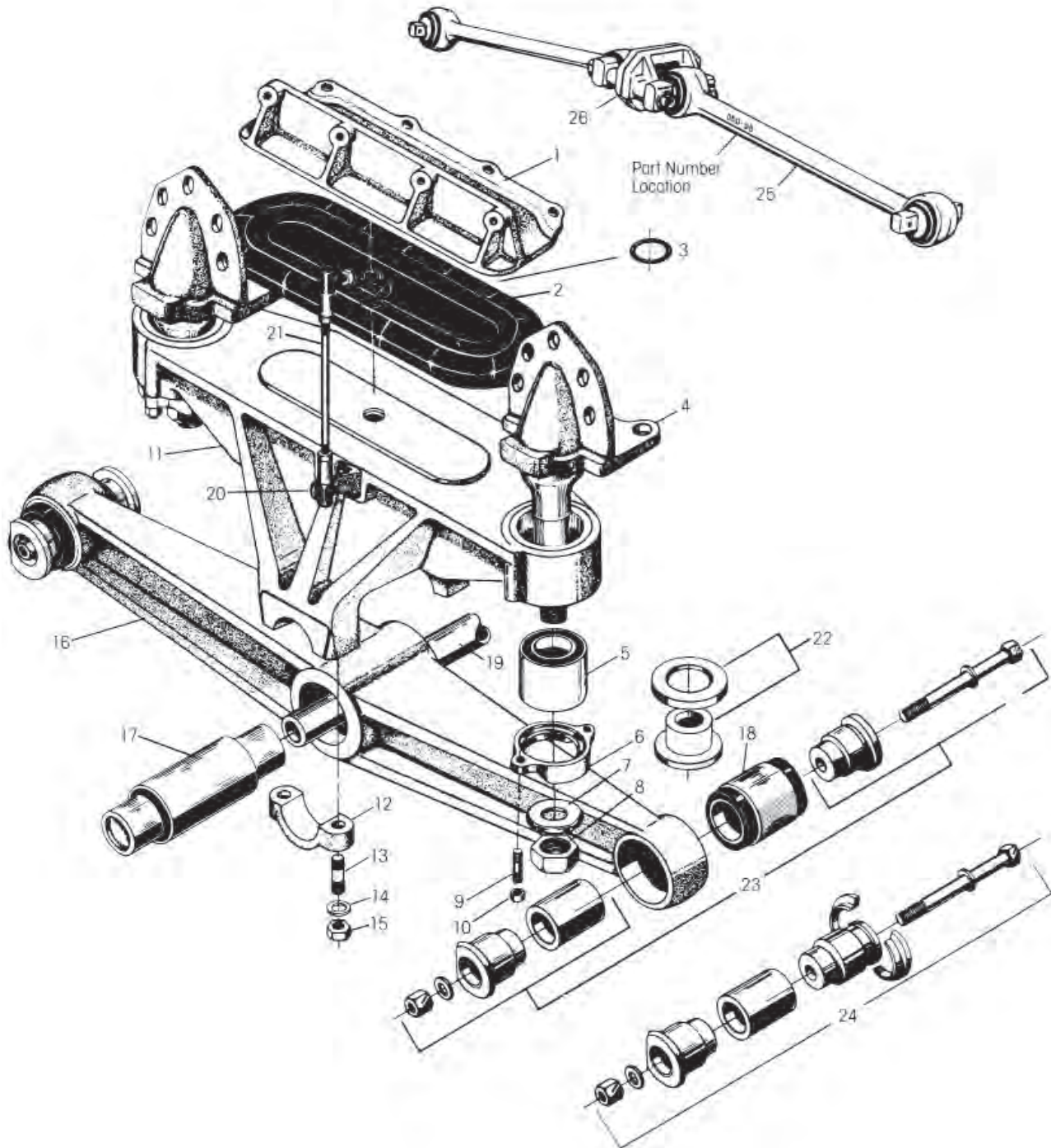
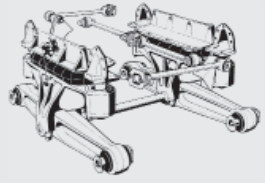
** No longer available. Contact Hendrickson to upgrade to a conversion.

*** When using the aluminum option, it is mandatory to use the aluminum bolt Part No. 58705-005.

**** Item included in kit/assembly only, part not sold separately.

***** Not supplied by Hendrickson, used for reference only. Hendrickson is not responsible for components supplied by the vehicle manufacturer. For assistance with maintenance and rebuild instructions on these components see vehicle manufacturer.

Hendrickson **MaxAir Ride Height Gauge** Literature No. 45745-164 for vehicles built after March 19, 2001 can be obtained on-line at www.hendrickson-intl.com/Lifform

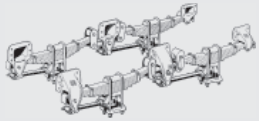




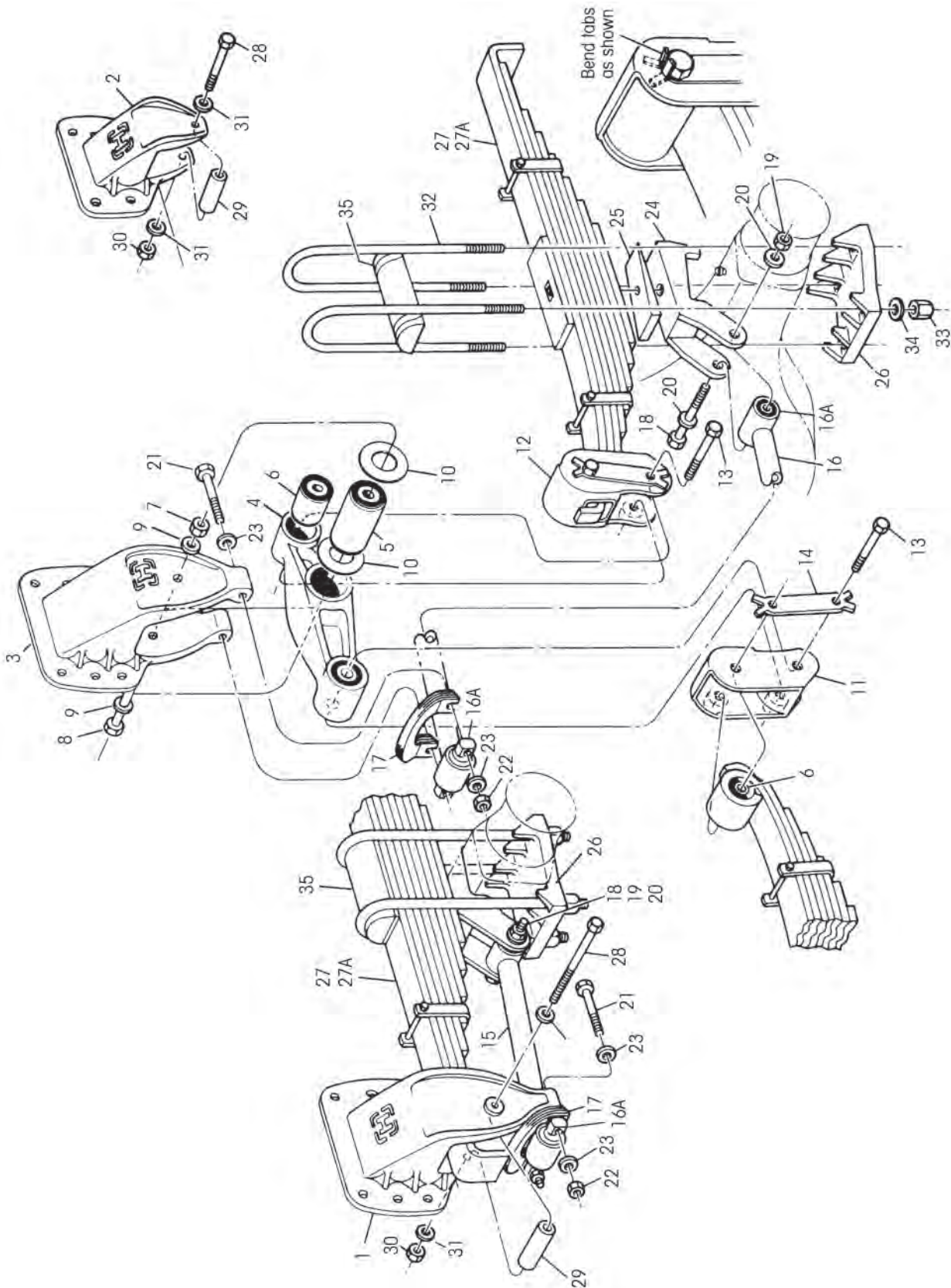
KEY NO.	PART NO.	DESCRIPTION	VEHICLE QTY.	KEY NO.	PART NO.	DESCRIPTION	VEHICLE QTY.
1	10327-001	*Air Spring Frame Hanger	2	18		End Bushing	4
2	13233-001	*Air Spring	2	a	06969-000L	34K - 5¼" Length	
3	35475-000	*O-Ring – Air Spring Orifice	2	b	45900-000L	34K • 38K - 5¼" Length	
4	14059-023	*Frame Hanger, Includes Key Nos. 7-8	4	19		Cross Tube - 44⅞" Length	1
5	19279-000L	Vertical Bushing	4		44642-008L	34K	
6	05917-000	Cap	4		44643-009L	38K	
7	08536-000	1½" Concave Washer	4	20	22202-000	*Leveling Valve Arm Extension Rod Bracket	2
8	25151-000	1½"-12 UNF Locknut	4	21	22110-002	*Leveling Valve Arm Extension Rod	2
9	19111-001	⅝"-18 UNF Stud	8	22	31005-002	Optional Rebound Control Stop Kit, Axle Set, Consists of 4 Bumpers & 4 Stop Nuts (Eliminates Nut, Key No. 8)	
10	19114-000	⅝"-18 UNF Locknut	8	23		End Bushing Adapter Kit, One Wheel End	
11		*Saddle Assembly – 12¼" Height, Includes Key Nos. 5-6, 9-10 & 12-15	2		45000-013L	Use with End Bushing Key No. 18a – 5¼" Length	
	11480-003	34K			45000-007L	Use with End Bushing Key No. 18b – 5¼" Length	
	11480-015	38K		24		End Bushing Adapter Kit, One Wheel End, with Split Ring	
12		Saddle Cap	4		45000-014L	Use with End Bushing Key No. 18a – 5¼" Length	
	06662-000	34K			45000-008L	Use with End Bushing Key No. 18b – 5¼" Length	
	58795-000	38K, <i>Replaces 06612-000</i>		25	60218-000	**Torque Rod Assembly, <i>Replaces 32271-XXX</i>	2
13		⅞"-14 UNF/9 UNC Saddle Cap Stud	8	26	22186-000	Torque Rod Frame Bracket	2
	09029-000	34K			30286-000	*Adhesive Tube, EC-4475-3M (For use at the Bottom Side of the Air Spring Key No. 2)	1
	09030-000	38K					
14	22962-002	⅞" Hardened Washer	8				
15	04842-000	⅞"-14 UNF Saddle Cap Locknut	8				
16		Equalizing Beam Assembly <i>See Selection Guide 45745-147</i>	2				
17		Center Bushing	2				
	06664-000L	34K - with Welded Plug					
	22279-000L	34K - with Loose Plug					
	05919-000L	38K - with Welded Plug					
	22282-000L	38K - with Loose Plug					

NOTES: * No longer available. Contact Hendrickson to upgrade to a conversion.

** Hendrickson's part number is stamped on the torque rod for identification. Be sure to include the suffix number when ordering, this number indicates torque rod length.



PARTS LISTS





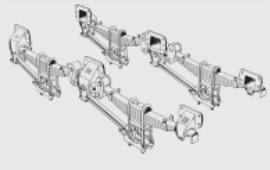
KEY NO.	PART NO.	DESCRIPTION	VEHICLE QTY.	KEY NO.	PART NO.	DESCRIPTION	VEHICLE QTY.
1	47432-002	*Front Spring Hanger (Casting No. 47431-000)	2	22	30585-000	5/8"-11 UNC Torque Rod Mounting Nut (Hanger)	8
2	48530-004	*Rear Spring Hanger (Casting No. 48991-000) <i>Replaces 47436-003</i>	2	23	22962-004	5/8" Torque Rod Mounting Washer (Hanger)	16
3	56833-004	*Center Spring Hanger (Casting No. 47433-000) <i>Replaces 47434-002</i>	2	24		*Spring Seat	4
4	47444-001	*Equalizing Beam Assembly, Includes Key Nos. 5-6 (Casting No. 47437-000)	2		47973-000	Casting No. 47961-000, <i>Replaces 47716-000</i>	
5	47420-000	Center Bushing	2		47974-000	Casting No. 47962-000, <i>Replaces 47718-000</i>	
6	47421-000	End Bushing & Spring Eye Bushing	8	25		*Wedge	As Req.
7	08017-000	1" Center Bushing Locknut	2		47731-000	No Tab	
8	30550-035	1" Center Bushing Bolt, <i>Replaces 30550-033</i>	2		48053-000	2 Tab	
9	22962-006	1" Hardened Flat Washer	4		48054-000	3 Tab	
10	47416-000	Thrust Washer	4		48055-000	4 Tab	
11	47440-000	*Shackle Bracket LF/RHR, (Casting No. 47439-000)	2	26		*Bottom Cap	4
12	47442-000	RHF/LHR (Casting No. 47441-000)	2		48252-000	<i>Replaces 47450-005 & 47965-000</i>	
13	48728-000	7/8"-9 UNC Shackle Bolt	8		48254-000	<i>Replaces 47451-000, 47452-000, 47453-000, 47454-000, 47963-000, 47964-000, 47966-000, 48255-000, & 48096-000</i>	
14	47459-000	Shackle Bolt Retainer	4	27		Spring	4
15	48158-001	Front Torque Rod - Shim Type Adjustable <i>Replaces 47401-001</i>	2		50863-000	34K Capacity, <i>Replaces 47474-000</i>	
16	48158-002	*Rear Torque Rod - Shim Type Adjustable <i>Replaces 47401-002</i>	2		50865-000	38K Capacity, <i>Replaces 47475-000</i>	
a	47691-000L	Torque Rod Bushing - Bar Pin Type	4	28	24531-014	1/2"-13 UNC x 5" Rebound Bolt	4
b	47692-000L	Torque Rod Bushing - Thru-Bolt Type	4	29	57988-000	Rebound Bolt Spacer, <i>Replaces 47458-000</i>	4
17	49689-000L	Shim, <i>Replaces 47457-000</i>	As Req.	30	49846-000	1/2"-13 UNC Rebound Bolt Nut, <i>Replaces 46578-000</i>	4
18	30418-009	7/8"-14 UNF Torque Rod Mounting Bolt (Axle)	4	31	22962-014	1/2" Rebound Bolt Washer	8
19	29248-000	7/8"-14 UNF Torque Rod Mounting Locknut (Axle)	4	32		7/8" U-bolt	8
20	22962-002L	7/8" Torque Rod Mounting Washer (Axle)	8		47417-001	16 1/4"	
21	32043-005	5/8"-11 UNC Torque Rod Mounting Bolt (Hanger) <i>Replaces 30587-017</i>	8		47417-003	17 1/2"	
				33	50765-000	7/8"-14 UNF U-Bolt Locknut, <i>Replaces 23899-000</i>	16
				34	22962-002	7/8" Hardened Washer	16
				35	48797-000	Top Pad, <i>Replaces 47446-000</i>	4

NOTE: * No longer available. Contact Hendrickson to upgrade to a conversion.

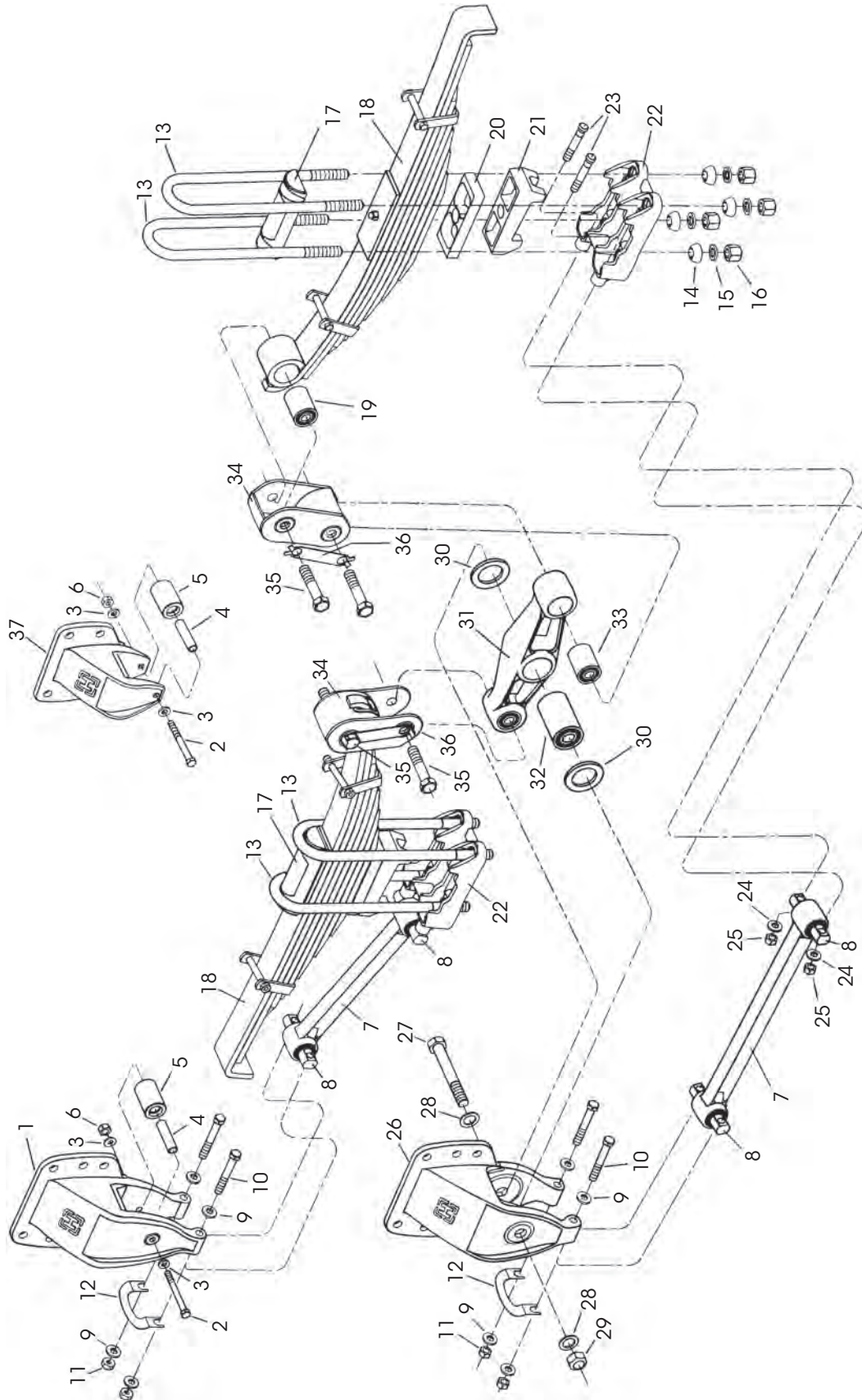


Past Generation – Obsolete June 1996

36K • 40K Capacity



PARTS LISTS





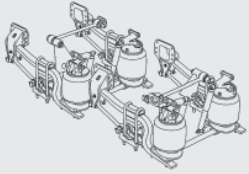
KEY NO.	PART NO.	DESCRIPTION	VEHICLE QTY.	KEY NO.	PART NO.	DESCRIPTION	VEHICLE QTY.
1		Front Spring Hanger	2			Rear Spring Seat	2
	56830-002	Casting No. 56829-001		56501-007		5° Pinion Angle, Casting No. 56500	
	56830-003	For International, <i>Replaces 48533-002</i>				<i>Replaces 49158-000 Casting No. 49157</i>	
	56830-012	For Kenworth, <i>Replaces 48533-003</i>		49124-000		*6.5° Pinion Angle, Casting No. 49143	
	56886-002	*For Manning Ford		49125-000		*9.5° Pinion Angle, Casting No. 48656,	
		Casting No. 56885-00X		56513-006		*10.5° Pinion Angle, Casting No. 48658,	
		For Mack, <i>Replaces 48533-006</i>				<i>Replaces 49126-000</i>	
	56673-001	Casting No. 56672-001		56505-009		12° Pinion Angle, Casting No. 56504	
		*Casting Nos. 47431-000, 47432-001,				<i>Replaces 49127-000 Casting No. 48643</i>	
		48442-, 48533-001, 48533-002, 48533-003,		22		Axle Bottom Cap, Includes Key Nos. 23-25	
		48533-004, 48533-005, 48533-006,				(Rockwell SL, SQ-100, RT 34-145, RT 40-145,	
		49047-000, 49050-001,				Eaton D341, D402)	
		49723-000, 49726-001				0-9° Pinion Angle, Casting No. 48810-000	
	49175-013	Rebound Roller Kit, Axle Set , Includes Key		49064-000		LHF/RHR	1 Each
		Nos. 2-6, <i>Replaces 49175-005</i>		49134-000		*RHF (Casting No. 48811-000)	1
2	24531-015	½"-13 UNC x 5½" Rebound Bolt	4	49135-000		*LHR (Casting No. 48812-000)	1
3	22962-014	½" Hardened Flat Washer	8			9.5-13° Pinion Angle	
4	57988-000	Rebound Bolt Spacer, <i>Replaces 47458-000</i>	4	56857-000		LHR (Casting No. 56855-000)	1
5	57989-000	Rebound Roller, <i>Replaces 48883-000</i>	4			<i>Replaces 49138-000</i>	
6	49846-000	½"-13 UNC Rebound Bolt Nut	4	56854-000		RHR (Casting No. 56852-000)	1
7		Torque Rod Assembly - Shim Type Adjustable				<i>Replaces 49139-000</i>	
	48411-001	15.83" Front	2	23	49063-000	⅝"-11 UNC x 3⅞" Axle Cap Bolt	8
	48411-002	*21.93" Rear	2	24	22962-004	⅝" Hardened Flat Washer	8
8	47691-000L	Torque Rod Bushing	8	25	47764-000	⅝"-11 UNC Axle Cap Nut	8
	49176-001L	Torque Rod Fastener Kit, Axle Set ,		26		Center Spring Hanger	2
		Includes Key Nos. 9-11				Casting No. 56832-000, <i>Replaces 47434-002,</i>	
9	22962-004	⅝" Hardened Flat Washer	16			<i>Casting Nos. 47433, 50642, 56926</i>	
10	32043-005	⅝"-11 UNC Torque Rod Bolt	8	49839-XXX		*Casting Nos. 48428-000, 50640-000,	
11	47764-000	⅝"-11 UNC Torque Rod Nut	8			56926-000 - Specify Customer	
12	49689-000L	Torque Rod Shim	As Req.	27	30550-035	1" Center Bushing Bolt	2
13	47417-XXX	*U-bolt, Specify Length	8	28	22962-006	1" Hardened Flat Washer	4
14	48574-000	Spherical Washer	16	29	08017-000	1" Center Bushing Locknut	2
15	22962-002	⅞" Hardened Flat Washer	16	30	47416-000	Thrust Washer	4
16	50765-000	⅞"-14 UNF U-Bolt Locknut,	16	31	47444-001	Equalizing Beam Assembly, Includes Key	2
		<i>Replaces 23899-000</i>				Nos. 33-34 (Casting No. 47437-000)	
17		Top Pad	4			36K • 40K, <i>Replaces 47444-004</i>	
	48797-000	Separate From Spring		32	47420-000	Center Bushing, <i>Replaces 48402-000</i>	2
	50788-000	Part of Spring		33	47421-000	End Bushing, <i>Replaces 48401-000</i>	4
18		Spring Assembly	4	34		*Shackle Bracket	
	50863-000	36K with Top Pad, <i>Replaces 47474-000</i>				LHF/RHR (Casting No. 47439)	2
	50865-000	40K with Top Pad, <i>Replaces 48400-000</i>				RHF/LHR (Casting No. 47441)	2
19	47421-000	Spring Eye Bushing	4	35	48728-000	⅞"-9 UNC Shackle Bolt	8
20		Spacer		36	47459-000	Shackle Bolt Retainer	4
	48902-000	1"		37		Rear Spring Hanger	2
	48903-000	1½"				Casting No. 48529-000	
21		Front Spring Seat	2			<i>Replaces 47436-003 Casting No. 48991</i>	
	56509-001	*2.25° Pinion Angle, Casting No. 48657		48530-004		Specify Customer	
		<i>Replaces 49121-000</i>		48530-XXX			
	50518-000	*3.25° Pinion Angle, Casting No. 48692 or 49122					
	49123-000	4° Pinion Angle, Casting No. 48630					
	56501-007	5° Pinion Angle, Casting No. 56500-000,					
		<i>Replaces 49158-000 Casting 49157</i>					

NOTE: * No longer available. Contact Hendrickson to upgrade to a conversion.

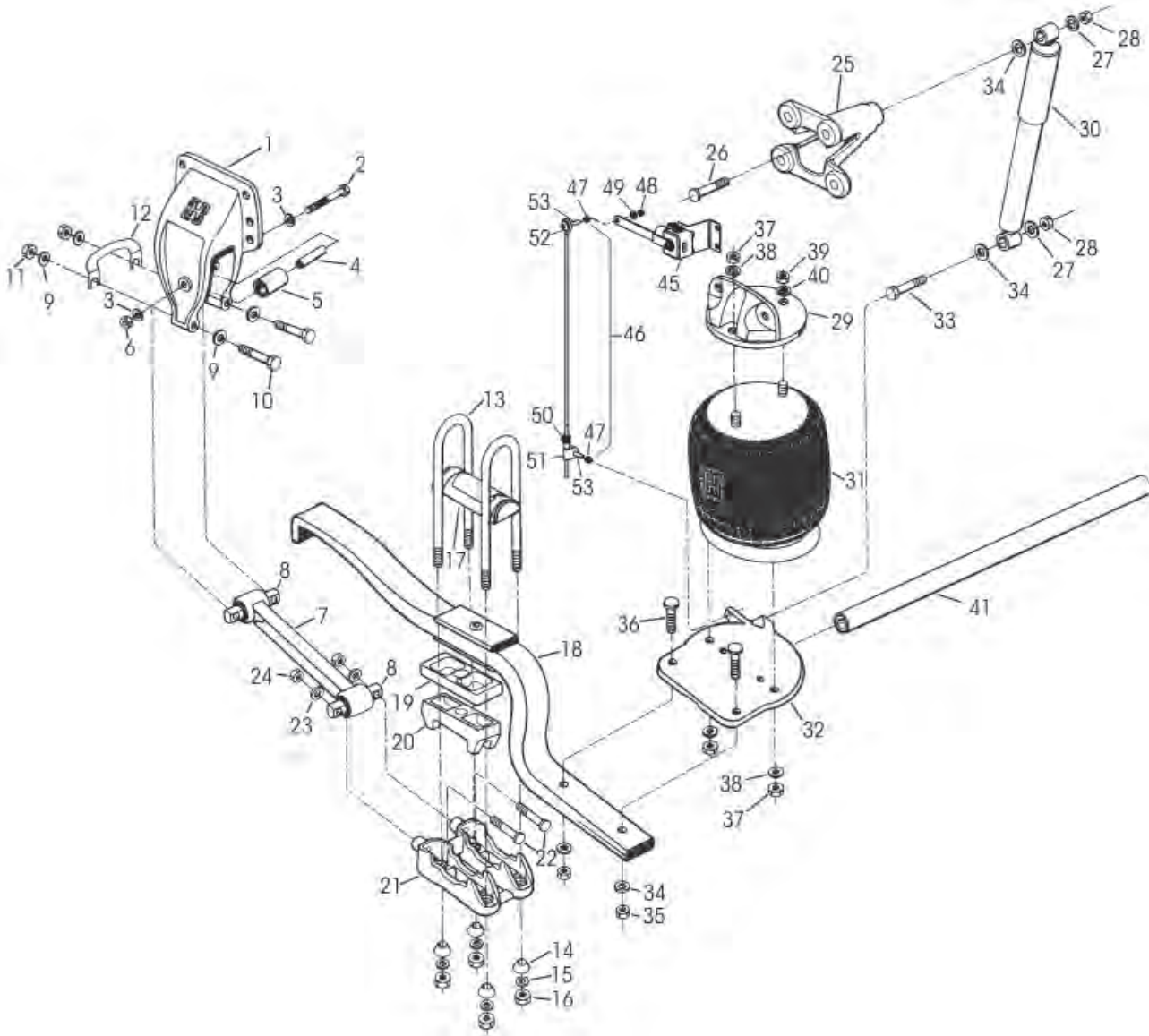


Past Generation – Obsolete August 1995

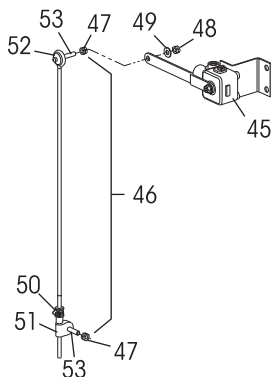
36K • 40K • 46K Capacity



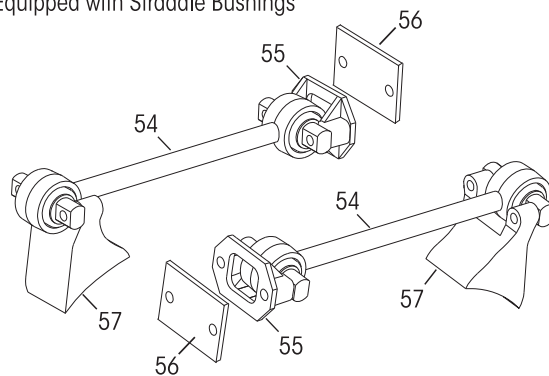
PARTS LISTS



Height Control Valve Part No. 57977-000
and Linkage Assembly Part No. 58994-0XX



Transverse Torque Rod
Equipped with Straddle Bushings





VEHICLE				VEHICLE			
KEY NO.	PART NO.	DESCRIPTION	*QTY.	KEY NO.	PART NO.	DESCRIPTION	*QTY.
1		Front Spring Hanger	4	26	50368-000	½"-13 UNC Shock Bolt, <i>Replaces 48752-000</i>	4
	56673-001	Casting No. 56672-001 <i>Replaces Casting No. 49723-000</i> <i>Replaces Part No. 49726-001, 49047-000</i>		27	22962-031	½" Hardened Flat Washer	8
	56830-XXXX	Casting No. 56829-001 (Specify Customer) <i>Replaces Casting No. 48442-000</i> <i>Replaces Part No. 48533-000</i>		28	49846-000	½"-13 UNC Shock Nut, <i>Replaces 49140-000</i>	8
	49175-013	Rebound Roller Kit, Axle Set, Includes Key Nos. 2-6		29	50804-002	Air Spring Frame Hanger, Casting No. 57455-000 <i>Replaces Casting No. 48152-000,</i> <i>Part No. 57456-000, 48159-000, 50804-001</i>	4
2	24531-015	½"-13 UNC x 5½" Rebound Bolt	4	30		Shock Absorber	4
3	22962-014	½" Hardened Flat Washer	8		60670-003L	Ford, <i>Replaces 47902-013</i>	
4	57988-000	Rebound Bolt Spacer	4		60670-001L	Mack, <i>Replaces 47902-009</i>	
5	57989-000	Rebound Roller	4		60670-003L	All Others, <i>Replaces 47902-008</i>	
6	49846-000	½"-13 UNC Rebound Bolt Nut	4	31		Air Spring	4
7		Torque Rod Assembly - Shim Type Adjustable	4		50405-002L	Ford, <i>Replaces 50405-001</i>	
	48411-001	HA 36K • 40K 15.83"			49674-002	**Mack	
	48411-003	16.5"			49048-002L	All Others, <i>Replaces 49207-000 and 49048-000</i>	
	62009-400	HA 46K 15.75", <i>Replaces 50376-002, 32271-098</i>		32		Air Spring Bracket Assembly, Includes Key Nos. 33-36	
	62005-420	16.54", <i>Replaces 50376-003, 32271-099</i>			48908-001	Left Hand (Casting No. 48836-001)	2
8		Torque Rod Bushing	8		48908-002	Right Hand (Casting No. 48836-002)	2
	47691-000L	36K • 40K - 62009 and 62005 Series		33	50368-000	Shock Bolt, <i>Replaces 48752-000</i>	4
	44695-000L	46K - 32271 Series		34	22962-001	¾" Hardened Flat Washer	16
	57256-000L	46K - 50376 Series		35	49842-000	¾"-10 UNC Main Support Member Nut <i>Replaces 49140-000</i>	8
	49176-001L	Torque Rod Fastener Kit, Axle Set, Includes Key Nos. 9-11		36	50369-000	¾"-10 UNC Main Support Member Bolt <i>Replaces 48829-000</i>	8
9	22962-004	⅝" Hardened Flat Washer	16		49177-001	Air Spring Fastener Kit, Axle Set, Includes Key Nos. 37-40	
10	32043-005	⅝"-11 UNC Torque Rod Bolt	8	37	17700-010	½" Nut	12
11	47764-000	⅝"-11 UNC Torque Rod Nut	8	38	22962-014	½" Hardened Flat Washer	12
12	49689-000L	Torque Rod Shim	As Req.	39	17700-031	¾" Nut	4
	48718-XXX	U-bolt Assembly, Includes Key Nos. 13-16		40	22962-001	¾" Hardened Flat Washer	4
13	47417-XXX	U-bolt, Specify Length	8	41	44642-022	Cross Tube	2
14	48574-000	Spherical Washer	16		48689-001	Quick Release Kit, Includes Key Nos. 42-43	
15	22962-002	⅞" Hardened Flat Washer	16	42	66029-000	***Air Dump Switch (Located In Cab) <i>Replaces Part No. 48914-000</i>	1
16	50765-000	⅞"-14 UNF U-Bolt Locknut <i>Replaces 23899-000</i>	16	43	48940-000	***Air Switch Name Plate, (Located In Cab)	1
17	49337-000	Top Pad, <i>Replaces 48797-000</i>	4	44	30272-000	***Pressure Protection Valve	1
18		Main Support Member	4	45	57977-000	Height Control Valve <i>Replaces 50433-001/002, 49193-001</i>	1
	48112-001	36K (1⅝")		46	58994-0XX	Linkage Rod, Specify Length, Includes Key Nos. 47-53, <i>Replaces 58400-, 22107-</i>	1
	56871-001	40K (1⅞") <i>Replaces 48874-001</i>		47		****⅝"-18 UNC Jam Nut	2
	48645-001	46K (2⅜") <i>Replaces 48645-000</i>		48		****⅝"-18 UNC Locknut	2
19		Spacer	As Req.	49		****⅝" Hardened Washer	2
	48902-000	1"		50		****Valve Arm Clamp	1
	48903-000	1½"		51		****Adj. Valve Arm Joint	1
20		Spring Seat, <i>see Selection Guide on Page 418</i>		52		****Rubber Grommet	1
21		Axle Bottom Cap, <i>see Selection Guide on</i> <i>Page 419</i> Includes Key Nos. 22-24	1	53		****Valve Arm Joint	2
22	49063-000	⅝"-11 UNC x 3⅞" Axle Cap Bolt	8	54		Transverse Torque Rod Assembly	2
23	22962-004	⅝" Hardened Flat Washer	8		60218-000	36K • 40K, <i>Replaces 52271-000</i>	
24	47764-000	⅝"-11 UNC Axle Cap Nut	8		60215-000	46K, <i>Replaces 50234-000a</i>	
25	48924-000	Shock Frame Hanger, Casting No. 48906-000 Includes Key Nos. 26-28	4	55	22186-000	Torque Rod Frame Bracket	2
				56	45045-003	Back Up Plate	2
				57		Torque Rod Axle Bracket	2

NOTES: * Quantities specified are shown for tandem suspension.

** No longer available. Contact Hendrickson to upgrade to a conversion.

*** See Plumbing Diagram on Page 419.

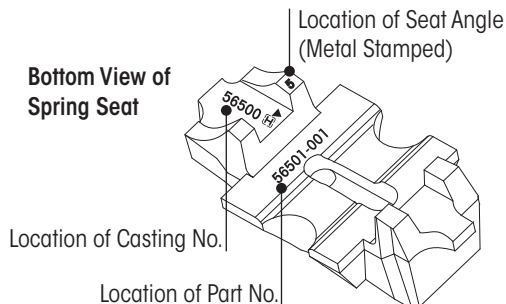
**** Item included in kit/assembly only, part not sold separately.



Past Generation

HA 36K • 40K Spring Seat Assembly Selection Guide

NOTE: All HA 46K spring seat assemblies are no longer available. Contact Hendrickson to convert to upgrade to a conversion.



PARTS LISTS

Key No. 20
Page 409

Four (4) required per tandem suspension

		Left		Right	
Front	Eaton D341, D402, D404, D405 Rockwell RT40-145, SQ100			Eaton D404, D405 Rockwell RT40-145	Eaton D461, D402 Rockwell SQ100
	Casting No.	56500-000		56500-000	*56502-000
Seat Angle	Part Number	Number Required	Part Number	Part Number	Number Required
2°	56501-001	1	56501-001	*56503-001	1
2½°	56501-002	1	56501-002	*56503-002	1
3°	56501-003	1	56501-003	*56503-003	1
3½°	56501-004	1	56501-004	*56503-004	1
4°	56501-005	1	56501-005	*56503-005	1
4½°	56501-006	1	56501-006	*56503-006	1
5°	56501-007	1	56501-007	*56503-007	1
5½°	56501-008	1	56501-008	*56503-008	1
6°	56501-009	1	56501-009	*56503-009	1
6½°	56501-010	1	56501-010	*56503-010	1
7°	56501-011	1	56501-011	*56503-011	1
		Left		Right	
Rear	Eaton D404, D405 Rockwell RT40-145	Eaton D341, D402 Rockwell SQ100		Eaton D341, D402, D404, D405 Rockwell RT40-145, SQ100	
	Casting No.	56504-000	*56506-000	56500-000	
Seat Angle	Part Number	Part Number	Number Required	Part Number	Number Required
5°	56505-011	*56507-011	1	56501-011	1
6½°	56505-012	*56507-012	1	*56501-012	1
7½°	56505-018	*56507-016	1	56501-018	1
8°	56505-001	*56507-001	1	56501-001	1
8½°	56505-002	*56507-002	1	56501-002	1
9°	56505-003	*56507-003	1	56501-003	1
9½°	56505-004	*56507-004	1	56501-004	1
10°	56505-005	*56507-005	1	56501-005	1
10½°	56505-006	*56507-006	1	56501-006	1
11°	56505-007	*56507-007	1	56501-007	1
11½°	56505-008	*56507-008	1	56501-008	1
12°	56505-009	*56507-009	1	56501-009	1
12½°	56505-010	*56507-010	1	56501-010	1
13½°	56505-015		1	56501-015	1

NOTE: * No longer available.

■ HA 36K • 40K • 46K Axle Bottom Cap Selection Guide

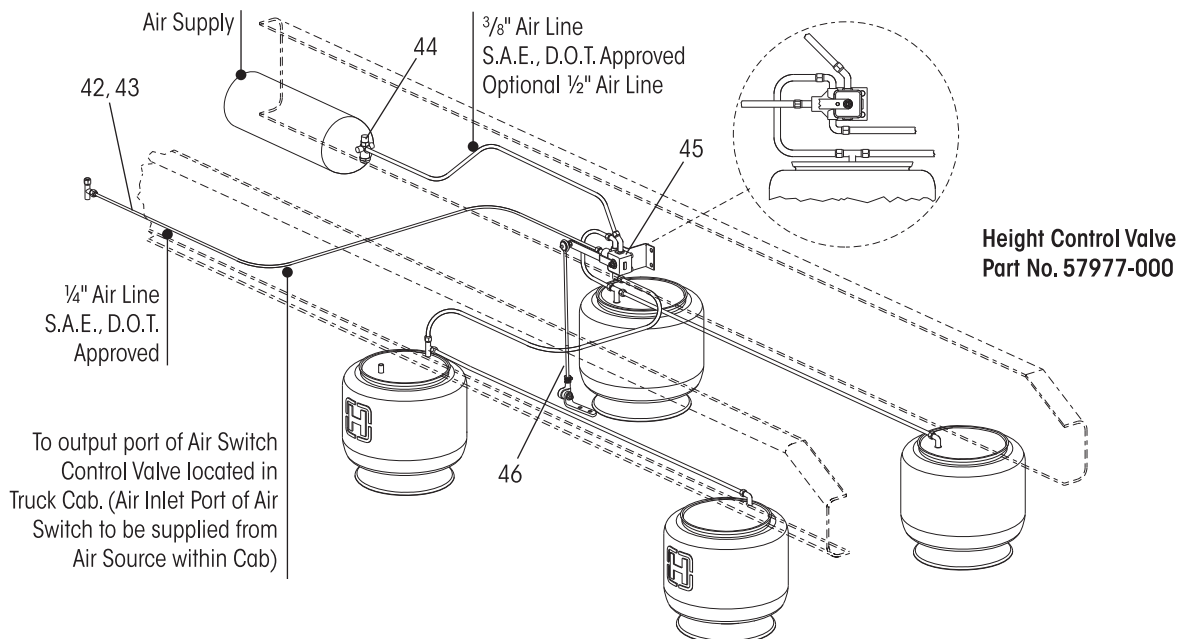
Key No. 21

Four (4) required per tandem suspension

	Left			Right		
Front	Rockwell SL, SQ-100, RT 34-145, RT 40-145, RT 46-160, SSHD Eaton D341, D402, D461	Rockwell SL, SQ-100, RT 34-145, RT 40-145 Eaton D341, D402	Rockwell SL, SQ-100, RT 34-145, RT 40-145 Eaton D341, D402	Eaton D461	Rockwell SL, SQ-100, RT 34-145, RT 40-145, SSHD Eaton D341, D402	Rockwell SL, SQ-100, RT 34-145, RT 40-145 Eaton D341, D402
Casting No.	48810-000	48812-000	56855-000	48810-000	48811-000	56852-000
Pinion Angle	Part Number	Part Number	Part Number	Part Number	Part Number	Part Number
0-5°	48390-000			48391-000		
0-9°	49064-000	*49135-000			*49134-000	
0-9½°	49064-000				*49659-000	
9½-13°			56857-000			56854-000
	Left			Right		
Rear	Rockwell RT 46-160 Eaton D461	Rockwell SSHD Eaton D461	Eaton D461	Rockwell SSHD Eaton D461	Rockwell SL, SQ-100, RT 34-145, RT 40-145, RT 46-160, SSHD Eaton D341, D402, D461	Rockwell RT 46-160, SSHD Eaton D461
Casting No.	48810-000	48812-000	56852-000	56855-000	48810-000	56852-000
Pinion Angle	Part Number	Part Number	Part Number	Part Number	Part Number	Part Number
0-5°	50367-000				48390-000	
0-9°					49064-000	
0-9½°		*49660-000			49064-000	
6½-12°			56944-000			57219-000
10-12°				56945-000		56854-000

NOTE: * No longer available.

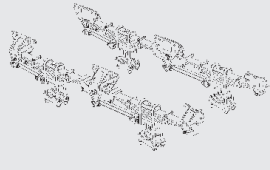
■ HA 36K • 40K • 46K Plumbing Diagram



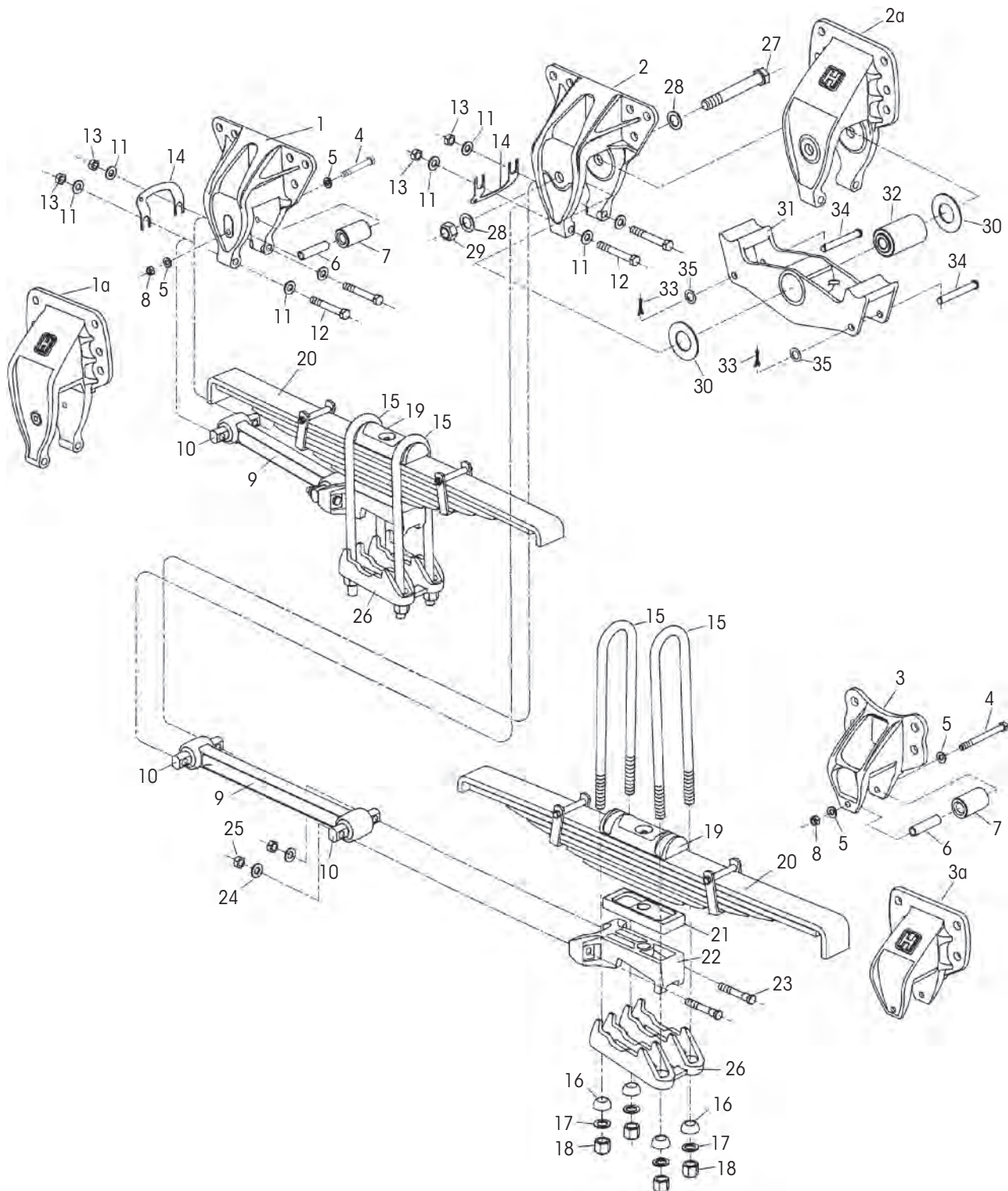


Past Generation

36K • 40KLH • 40K Capacity



PARTS LISTS



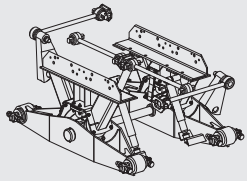


VEHICLE				VEHICLE			
KEY NO.	PART NO.	DESCRIPTION	QTY.	KEY NO.	PART NO.	DESCRIPTION	QTY.
1		Front Spring Hanger	2	19	50788-000	Top Pad, Included with Key No. 20	4
	56667-001	*Casting No. 56666-000, 49848-000, <i>Replaces 50027-001 - HFS 36K</i>		20		Spring Assembly	4
	56670-001	Casting No. 56669-000, 50291-000, <i>Replaces 50292-001 - HFS 40K • 40KLH</i>			50795-000	HFS 36K • 40KLH	
a	56673-001	Casting No. 56672-000	2		50796-000	HFS 40K	
	56830-XXX	Casting No. 56829-000 (Specify Customer)		21		Spacer	As Req.
2		Center Spring Hanger	2		48902-000	1"	
	56676-001	Casting No. 56675-000, 50289-000, <i>Replaces 50290-001</i>			48903-000	1½"	
a	56927-004	*Casting No. 56832-000, <i>Replaces 56833-003</i>	2	22		*Spring Seat Includes Key Nos. 23-25 (Rockwell SL, SQ-100, RT34-145, RT40-145, Eaton D341, D402)	4
	56927-XXX	*Casting No. 56926-000, Specify Customer				*Casting No. 50567-000	
3		Rear Spring Hanger	2		50569-001	2¼° Pinion Angle	
	50028-001	Casting No. 49954-000			50569-004	3¼° Pinion Angle	
a	48530-004	*Casting No. 48991-000, <i>Replaces 47436-003</i>	2		50569-007	4° Pinion Angle	
	48530-XXX	Casting No. 48529-000, Specify Customer			50569-010	5° Pinion Angle	
	49175-013	Rebound Roller Kit , Includes Key Nos. 4-8 <i>Replaces 49175-005</i>	1			*Casting No. 50573-000	
4	24531-015	½"-13 UNC Rebound Bolt	4		50575-001	9½° Pinion Angle	
5	22962-014	½" Hardened Flat Washer	8		50575-004	10½° Pinion Angle	
6	57988-000	Rebound Bolt Spacer, <i>Replaces 47458-000</i>	4		50575-009	12° Pinion Angle	
7	57989-000	Rebound Roller, <i>Replaces 48883-000</i>	4	23	49063-000	⅝"-11 UNC Spring Seat Bolt	8
8	49846-000	½"-13 UNC Rebound Bolt Nut, <i>Replaces 46578-000</i>	4	24	22962-004	⅝" Hardened Flat Washer	8
9		Shim Type Adjustable Torque Rod Assembly		25	47764-000	⅝"-11 UNC Axle Cap Nut	8
	48411-006	14.41" Front		26		Axle Bottom Cap	4
	62011-515	20.31" Rear, <i>Replaces 48411-007</i>				(Rockwell RT34-145, RT40-145)	
10	47691-000L	Torque Rod Bushing	8		50216-XXX	LHF/RHF/LHR/RHR 0-9½° Pinion Angle	
	49176-001L	Torque Rod Fastener Kit , Includes Key Nos. 11-13	1		50222-XXX	LHR/RHR 10-12½° Pinion Angle (Rockwell SL-100, SQ-100, Eaton D341, D402)	
11	22962-004	⅝" Hardened Flat Washer	16		50216-XXX	LHF/RHR 0-9½° Pinion Angle	
12	32043-005	⅝" -11 UNC x 4½" Torque Rod Bolt	8		50217-XXX	RHF 0-9½° Pinion Angle	
13	47764-000	⅝" -11 UNC Torque Rod Nut	8		50222-XXX	LHR 0-9½° Pinion Angle, <i>Replaces 50218-000</i>	
14	49689-000L	Torque Rod Shim	As Req.			RHR 10-12½° Pinion Angle	
15		U-bolt (Specify Length)	8		50222-006	*LHR 10-12½° Pinion Angle, <i>Replaces 50221-000</i>	
	49684-XXX	¾" - HFS 40KLH		27	30550-035	1" Center Bushing Bolt	2
	47417-XXX	⅞" - HFS 36K • 40K		28	22962-006	1" Hardened Flat Washer	4
16		Spherical Washer	16	29	08017-000	1" Center Bushing Nut	2
	49947-000	¾" - HFS 40KLH		30	47416-000	Thrust Washer	4
	48574-000	⅞" - HFS 36K • 40K		31	49803-002	Equalizing Beam Assembly, Includes Key Nos. 32-35, Casting No. 49801-002, <i>Replaces 49803-003</i>	2
17		Hardened Flat Washer	16	32	47420-000	Center Bushing, <i>Replaces 48402-000</i>	2
	22962-001	¾" - HFS 40KLH		33	17800-013	Cotter Pin	4
	22962-002	⅞" - HFS 36K • 40K		34	50432-000	Clevis Pin	4
18		U-bolt Locknut	16	35	50924-000	⅝" Hardened Washer	4
	49685-000	¾" - HFS 40KLH					
	50765-000	⅞" - HFS 36K • 40K					

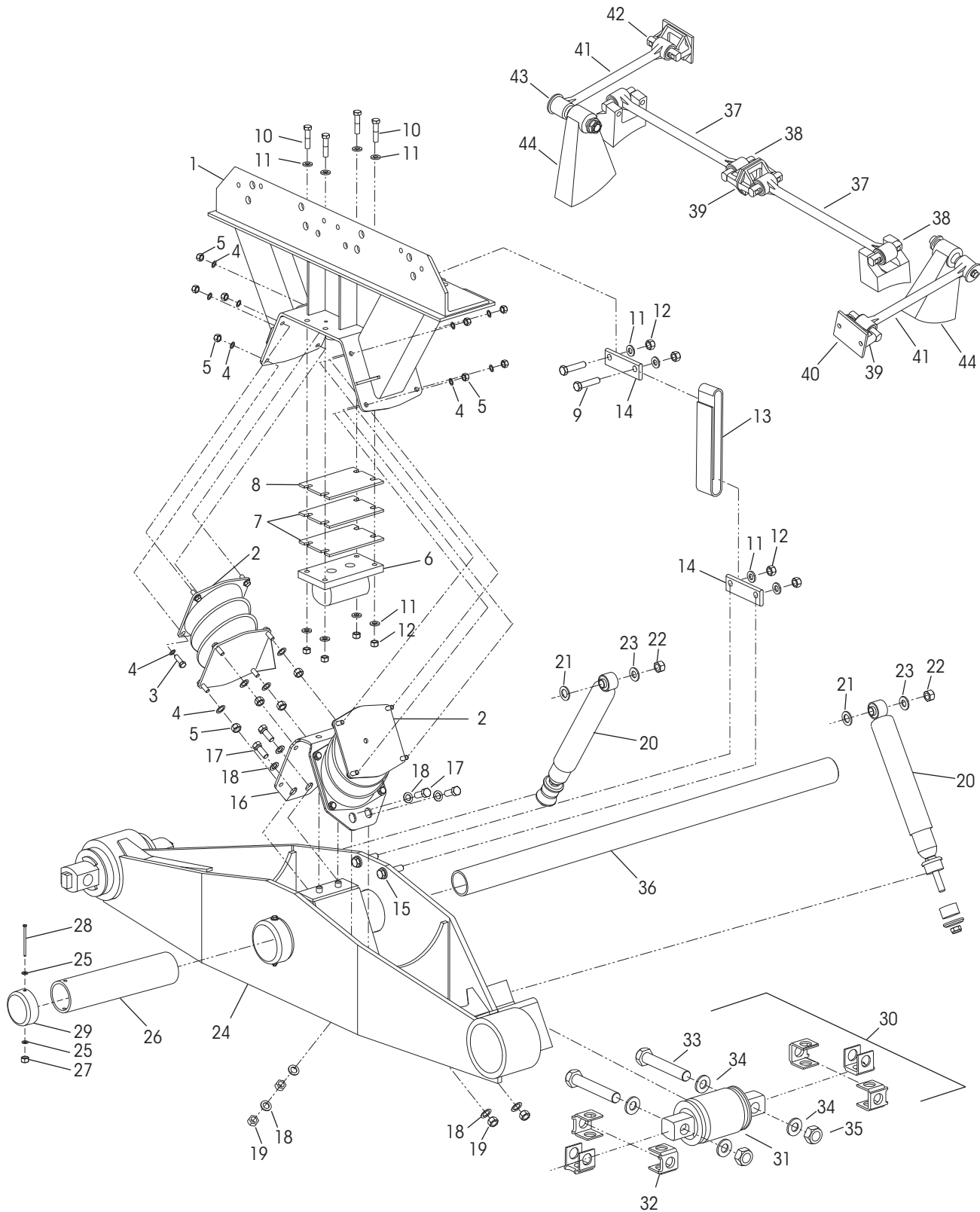
NOTE: * No longer available. Contact Hendrickson to upgrade to a conversion.

Past Generation – Built between 03/1996 and 09/1997

40K • 46K Capacity



PARTS LISTS





VEHICLE				VEHICLE			
KEY NO.	PART NO.	DESCRIPTION	QTY.	KEY NO.	PART NO.	DESCRIPTION	QTY.
1	58223-0XX	*Saddle Assembly, Includes Key Nos. 2-12, 14, 16	2	25	22962-028	¼" Washer	4
2	60879-000L	Bolster Spring Kit, One Set (2-Piece)	2	26	49972-000	Nylon Bushing	2
3	25114-011	⅞"-20 UNF x 1¼" Bolt	32	27	49983-000	¼"-20 UNC Locknut	2
4	22962-027	⅞" Hardened Washer	64	28	50698-000	¼"-20 UNC x 4½" Bolt	2
5	48949-000	⅞"-20 UNF Locknut	32	29	56910-000	Center End Cap	2
6	57962-000	Auxiliary Spring Assembly	2	30		Bar Pin End Bushing Service Kit, One Wheel End, Includes Key Nos. 31-35	
7	57993-002	Auxiliary Spring Shim	4		34013-088L	Shim Type	
8	57993-003	Auxiliary Spring Shim	6		34013-188L	Rotating, Shim Type	
9	24531-018	½"-13 UNC x 1¾" Bolt	4	31		**Bar Pin End Bushing	4
10	24531-019	½"-13 UNC x 2¾" Bolt	8	32		Bar Pin Shim	8
11	22962-014	½" Hardened Washer	40		50130-000	0.19" /0.19"	
12	49846-000	½"-13 UNC Locknut	16		50131-000	0.25"/0.12"	
13	57878-003	Rebound Strap	2	33	48941-000	1"-8 UNC x 6" Hex Bolt	4
14	57787-000	*Anchor Plate	4	34	22962-008	1" Hardened Washer	8
15	24531-017	½"-13 UNC x 2¼" Bolt	4	35	48942-000	1"-8 UNC Locknut	4
16	57461-000	Saddle Vee Bracket	2	36	44643-011	Cross Tube	1
	58440-001	Vee Bracket Fastener Kit, One Side, Includes Key Nos. 17-19		37	60218-000	**** Two-Piece ULTRA ROD® Longitudinal Torque Rod Straddle/Straddle Kit, Includes Key No. 38	
17	50764-006	¾"-10 UNC-2A Hex Head Bolt	8	38	47691-000L	ULTRA ROD Straddle Bushing	4
18	22962-001	¾" Washer	16	39	22186-000	Torque Rod Frame Bracket	4
19	49842-000	¾"-10 UNC-2B Locknut	8	40	45045-003	Backup Plate	2
20	60680-003L	Shock Absorber	4	41	60215-000	***** Two-Piece ULTRA ROD Transverse Torque Rod Straddle/Taper Kit, Includes Key No. 42-43	
21	22962-001	¾" Washer	4	42	47691-000L	ULTRA ROD Straddle Bushing	2
22	30585-000	⅝" Upper Shock Locknut	4	43	64697-000L	ULTRA ROD Taper Bushing	2
23	22962-004	⅝" Upper Shock Washer	4	44		***Transverse Rod Axle Bracket	2
24	58227-	*Beam Assembly, Specify Length, Includes Key Nos. 11-15, 25-31	2				

NOTES: * No longer available. Contact Hendrickson to upgrade to a conversion.

** Item included in kit/assembly only, part not sold separately.

*** Not supplied by Hendrickson, used for reference only. Hendrickson is not responsible for components supplied by the vehicle manufacturer. For assistance with maintenance and rebuild instructions on these components see vehicle manufacturer.

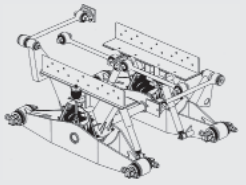
**** Hendrickson's part number is stamped on the rod for identification. Be sure and include suffix number when ordering, this number indicates rod length. The Hendrickson two-piece ULTRA RODS® can be used to create the desired length, see Torque Rod Selection Guide Literature No. 45745-148.

***** Transverse rods are mandatory for HN Suspension regardless of axle spacing. See Literature No. 59310-004 and 59310-058 for more information.

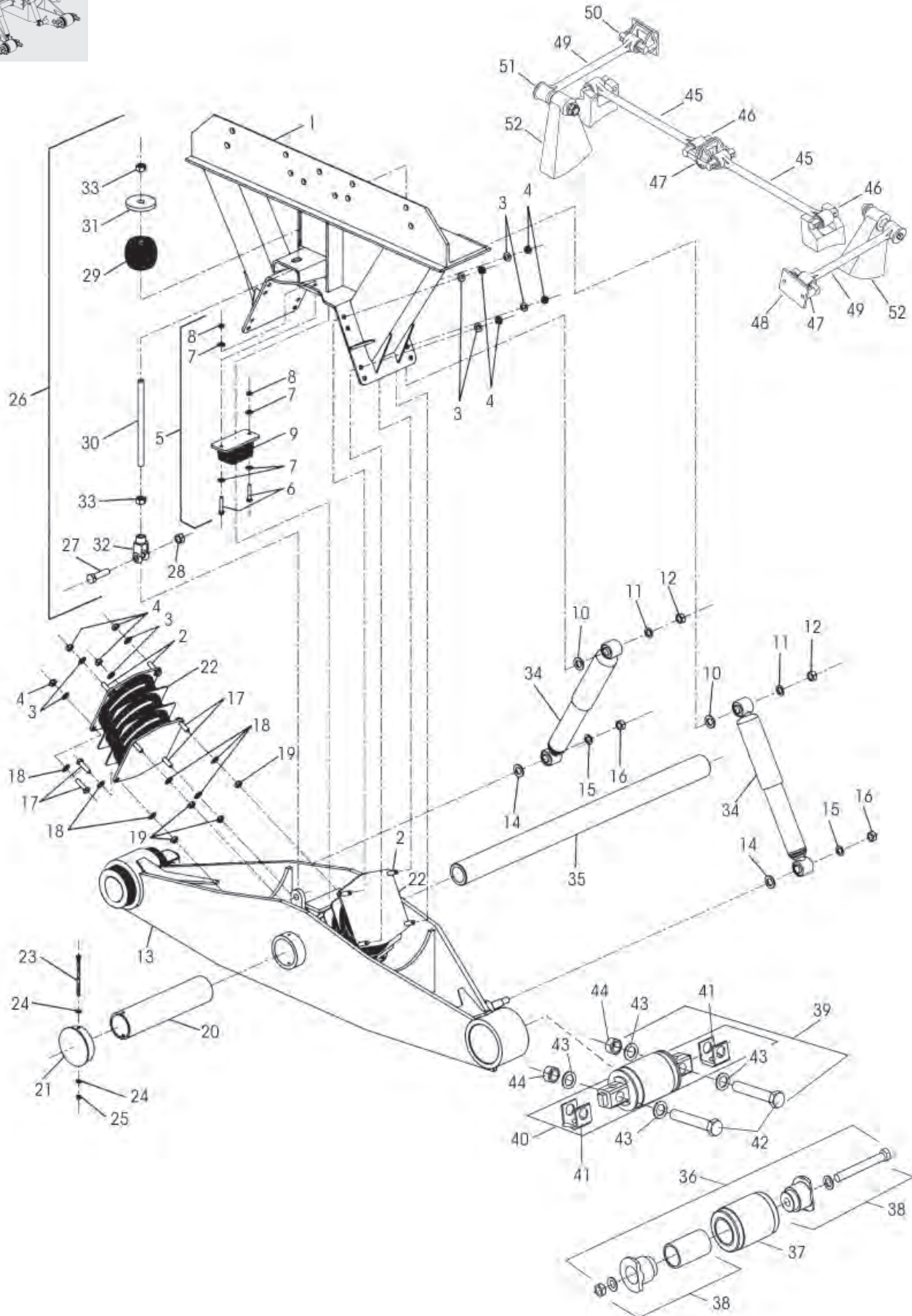


Past Generation – Obsolete February 1996

40K • 46K Capacity



PARTS LISTS





VEHICLE				VEHICLE			
KEY NO.	PART NO.	DESCRIPTION	QTY.	KEY NO.	PART NO.	DESCRIPTION	QTY.
1	50787-0XX	*Saddle Assembly, Includes Key Nos. 2-4, 6-9	2	32	49771-000	Clevis	2
2	25114-011	7/16" Bolt	16	33	49778-000	5/8" Hex Nut	4
3	22962-027	7/16" Washer	32	34	60670-002L	Shock Absorber	4
4	48949-000	7/16" Locknut	16	35	44643-011	Cross Tube	1
5	49399-000	Rebound Rubber Stop Kit, One Side, Includes Key Nos. 6-9		36		Thru-Bolt Bushing Kit, One Wheel End, Includes Key Nos. 37-38	
6	18160-011	5/16" Bolt	4		34013-049L	HN 40K	
7	22962-029	5/16" Washer	4		34013-073L	HN 46K	
8	48948-000	5/16" Locknut	8	37	45900-000L	Bushing	4
9	49395-000	Rebound Rubber Stop	2	38		Adapter Kit, One Wheel End	4
10	22962-001	3/4" Inner Washer	4		45000-007L	HN 40K	
11	22962-004	5/8" Outer Washer	4		21140-034L	HN 46K	
12	30585-000	5/8" Locknut	4	39		Bar Pin End Bushing Service Kit, One Wheel End, Includes Key Nos. 40-44	
13	49976-XXX	*Beam Assembly, Specify Length, Includes Key Nos. 17-25, 36 or 39	2		34013-088L	Shim Type	
14	22962-001	3/4" Inner Washer	4		34013-188L	Rotating, Shim Type	
15	22962-004	5/8" Outer Washer	4	40		*Bar Pin End Bushing	4
16	30585-000	5/8" Locknut	4	41		Bar Pin Shim	8
17	25114-011	7/16" Bolt	16		50130-000	0.19"/0.19"	
18	22962-027	7/16" Washer	32		50131-000	0.25"/0.12"	
19	48949-000	7/16" Locknut	16	42	48941-000	1"-8 UNC x 6" Hex Bolt	4
20	49972-000	Nylon Bushing	2	43	22962-008	1" Hardened Washer	8
21	56910-000	End Cap	2	44	48942-000	1"-8 UNC Locknut	4
22	64718-000L	Bolster Springs (2-Piece)	2	45	60218-000	**** Two-Piece ULTRA ROD® Longitudinal Torque Rod Straddle/Straddle Kit, Includes Key No. 46	
23	50698-000	1/4" Bolt	2	46	47691-000L	ULTRA ROD Straddle Bushing	4
24	22962-028	1/4" Washer	4	47	22186-000	Torque Rod Frame Bracket	4
25	49983-000	1/4" Locknut	2	48	45045-003	Backup Plate	2
26	49768-000	Rebound Control Kit, One Side, Includes Key Nos. 27-33		49	60215-000	***** Two-Piece ULTRA ROD Transverse Torque Rod Straddle/Taper Kit, Includes Key No. 50-51	
27	32043-004	5/8" Bolt	2	50	47691-000L	ULTRA ROD Straddle Bushing	2
28	47764-000	5/8" Locknut	2	51	64697-000L	ULTRA ROD Taper Bushing	2
29	48570-000	Rebound Control Spring	2	52		***Transverse Rod Axle Bracket	2
30	49769-000	Anti-Roll Rod	2				
31	49770-000	Threaded Washer	2				

NOTES: * No longer available. Contact Hendrickson to upgrade to a conversion.

** Item included in kit/assembly only, part not sold separately.

*** Not supplied by Hendrickson, used for reference only. Hendrickson is not responsible for components supplied by the vehicle manufacturer. For assistance with maintenance and rebuild instructions on these components see vehicle manufacturer.

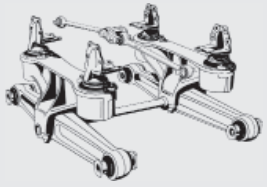
**** Hendrickson's part number is stamped on the rod for identification. Be sure and include suffix number when ordering, this number indicates rod length. Hendrickson two-piece ULTRA RODS® can be used to create the desired length, see Torque Rod Selection Guide 45745-148.

***** Transverse rods are mandatory for HN Suspensions regardless of axle spacing. See Literature No. 59310-004 and 59310-058 for more information.

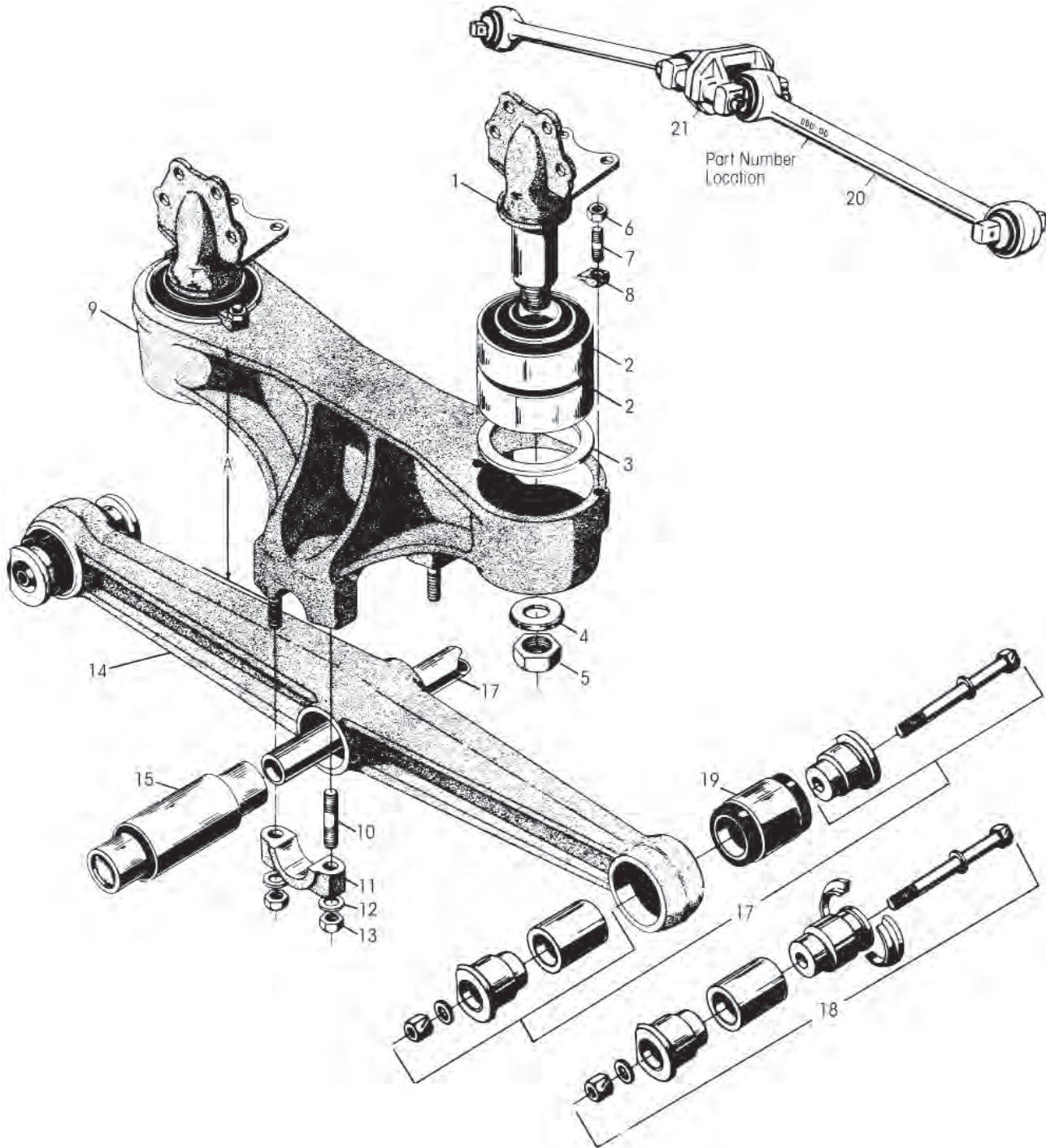


Past Generation – Obsolete January 1989

34K • 38K Capacity



PARTS LISTS





KEY NO.	PART NO.	DESCRIPTION	VEHICLE QTY.	KEY NO.	PART NO.	DESCRIPTION	VEHICLE QTY.
1	23217-013	*Frame Hanger, Undrilled, Includes Key Nos. 4-5 (Casting No. 21283-001)	4	14		Equalizing Beam Assembly <i>See Selection Guide 45745-147</i>	2
2	15137-000	*Shear Spring	8	15		Center Bushing	2
3	21278-000	Spacer Ring	4		06664-000L	34K - with Welded Plug	
4	21037-000	*Washer	4		22279-000L	34K - with Loose Plug	
5	25151-000	1½"-12 UNF Locknut	4		05919-000L	38K - with Welded Plug	
6	19114-000	⅝"-18 UNF Locknut	8		22282-000L	38K - with Loose Plug	
7	19111-001	⅝"-18 UNF Stud, <i>Replaces 19111-005</i>	8	16		Cross Tube - 44⅞" Length	1
8	21297-000	*Clamp	8		44642-008L	34K	
9		*Saddle Assembly - Dim. 'A', Includes Key Nos. 2-3, 6-8 & 10-13	2		44643-009L	38K	
	18760-003	34K - 12⅞" Height		17		End Bushing Adapter Kit, One Wheel End, 5¼" Length, Includes Key No. 19a	
	18760-011	34K - 13¾" Height			45000-013L	5¼" Length, Includes Key No. 19b	
	18760-005	38K - 12⅞" Height		18		End Bushing Adapter Kit, One Wheel End, with Split Ring	
	18760-013	38K - 13¾" Height			45000-014L	5¼" Length, Includes Key No. 19a	
10		⅞"-14 UNF/9 UNC Saddle Cap Stud	8		45000-008L	5¾" Length, Includes Key No. 19b	
	09029-000	34K		19		End Bushing	4
	09030-000	38K		a	06969-000L	34K - 5¼" Length	
11		Saddle Cap	4	b	45900-000L	34K • 38K - 5¾" Length	
	06662-000	34K		20	60218-000	**Two-Piece ULTRA ROD® Longitudinal Torque Rod Straddle/Straddle Kit, <i>Replaces 32271-XXX</i>	2
	58795-000	38K, <i>Replaces 48545-000, 06612-000</i>		21	22186-000	Torque Rod Frame Bracket	2
12	22962-002	⅞" Hardened Washer	8				
13	04842-000	⅞"-14 UNF Saddle Cap Locknut	8				

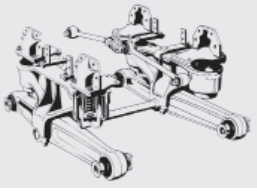
NOTES: * No longer available. Contact Hendrickson to upgrade to a conversion.

** Hendrickson's part number is stamped on the rod for identification. Be sure and include suffix number when ordering, this number indicates rod length. Hendrickson two-piece ULTRA RODS® can be used to create the desired length, see Torque Rod Selection Guide 45745-148.

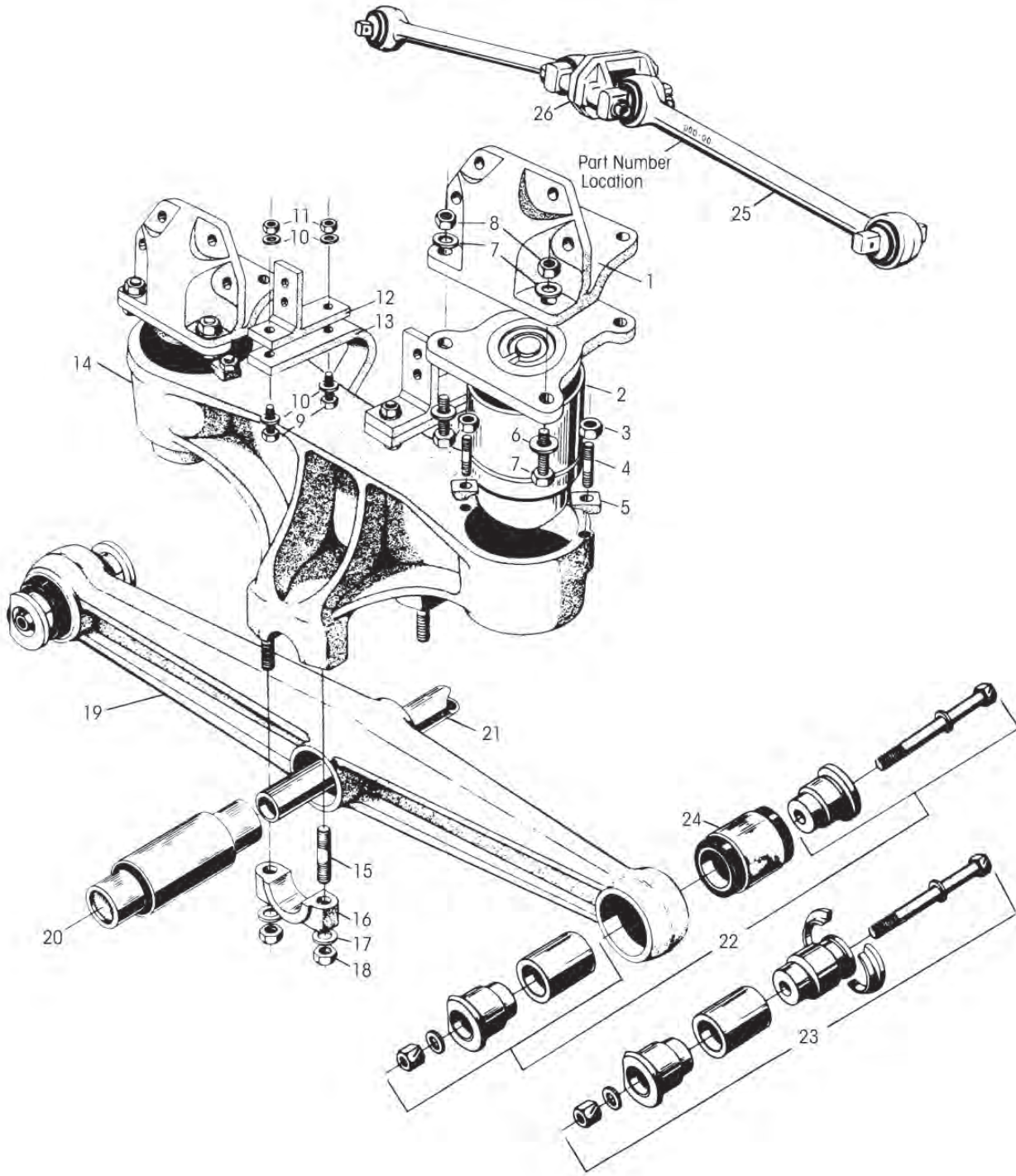


Past Generation – Obsolete January 1989

34K • 38K Capacity



PARTS LISTS





KEY NO.	PART NO.	DESCRIPTION	VEHICLE QTY.	KEY NO.	PART NO.	DESCRIPTION	VEHICLE QTY.
1		*Frame Hanger, Drilled (Casting No. 46205-000)	4	16		Saddle Cap	4
	46202-001	Fits Frame Width 34"			06662-000	34K	
	46202-002	Fits Frame Width 34.12"			58795-000	38K, <i>Replaces 48545-000, 06612-000</i>	
	46202-003	Fits Frame Width 34.25"		17	22962-002	7/8" Hardened Washer	8
	46202-004	Fits Frame Width 34.38"		18	04842-000	7/8"-14 UNF Locknut	8
	46202-005	Fits Frame Width 34.5"		19		Equalizing Beam Assembly <i>See Selection Guide 45745-147</i>	
	46202-006	Fits Frame Width 34.62"		20		Center Bushing	2
	46202-007	Fits Frame Width 34.81"			06664-000L	34K - with Welded Plug	
2		*V4 Visco Elastic Module	4		22279-000L	34K - with Loose Plug	
	47585-075	34K			05919-000L	38K - with Welded Plug	
	47585-085	38K			22282-000L	38K - with Loose Plug	
3	19114-000	5/8"-18 UNF Locknut	16	21		Cross Tube - 44 7/8" Length	1
4	19111-001	5/8"-18 UNF Stud	16		44642-008L	34K	
5	21297-000	*Clamp	16		44643-009L	38K	
6	21867-038	*3/4"-16 UNF Hex Bolt	16	22		End Bushing Adapter Kit, One Wheel End	
7	22962-001	3/4" Hardened Washer	32		45000-013L	5 1/4" Length, Includes Key No. 24a	
8	30191-000	3/4"-16 UNF Locknut	8		45000-007L	5 3/4" Length, Includes Key No. 24b	
9	30970-007	1/2"-20 UNF Hex Bolt	8	23		End Bushing Adapter Kit, One Wheel End, with Split Ring	
10	22962-011	1/2" Hardened Washer	8		45000-014L	5 1/4" Length, Includes Key No. 24a	
11	30978-000	1/2"-20 UNF Locknut	8		45000-008L	5 3/4" Length, Includes Key No. 24b	
12	46970-002	*Jounce Stop Hanger	4	24		End Bushing	4
13	46210-000	*Rebound Stop	4	a	06969-000L	34K - 5 1/4" Length	
14		*Saddle Assembly	2	b	45900-000L	34K • 38K - 5 3/4" Length	
	47680-001	34K - 12 7/8" Height		25	60218-000	**Two-Piece ULTRA ROD® Longitudinal Torque Rod Straddle/Straddle Kit, <i>Replaces 32271-XXX</i>	2
	47680-002	34K - 13 3/4" Height					
	47680-005	38K - 12 7/8" Height		26	22186-000	Torque Rod Frame Bracket	2
	47680-006	38K - 13 3/4" Height					
15		7/8"-14 UNF/9 UNC Saddle Cap Stud	8				
	09029-000	34K					
	09030-000	38K					

NOTES: * No longer available. Contact Hendrickson to upgrade to a conversion.

** Hendrickson's part number is stamped on the rod for identification. Be sure and include suffix number when ordering, this number indicates rod length. Hendrickson two-piece ULTRA RODS® can be used to create the desired length, see Torque Rod Selection Guide 45745-148.



LEAF SPRING BUSHING INSTALLATION AND REMOVAL TOOLS

For SOFTEK NXT and STEERTEK NXT High Capacity Suspensions

Hendrickson Part No. 66086-301

OTC Part No. 4275 Visit otctools.com



For AIRTEK NXT Suspension

Hendrickson Part No. 66086-304

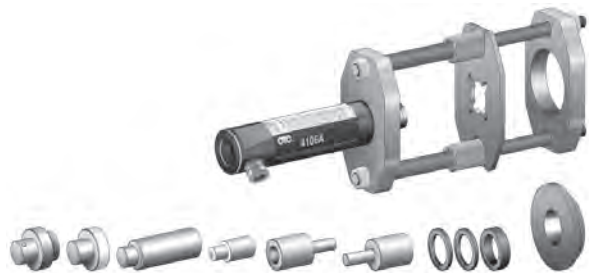
OTC Part No. 4261 Visit otctools.com



For SOFTEK NXT and STEERTEK NXT High Capacity Suspensions

Hendrickson Part No. 66086-300

OTC Part No. 4274 Visit otctools.com



For AIRTEK NXT Suspension

Hendrickson Part No. 66086-303

OTC Part No. 4263 Visit otctools.com



For PRIMAXX EX • COMFORT AIR • V-Ride Suspensions

Hendrickson Part No. 66086-302

OTC Part No. 4250 Visit otctools.com

NOTE: In conjunction with Hendrickson Part No. 66086-301 (OTC 4275) this additional adapter tool kit is available to purchase to be used on Hendrickson PRIMAXX EX • COMFORT AIR • V-Ride rear air suspensions.



For AIRTEK NXT Suspension

Hendrickson Part No. 66086-305 Adapter Set

OTC Part No. 4255 Visit otctools.com





KINGPIN BUSHING - ADJUSTABLE STRAIGHT FLUTE REAMER

For STEERTEK NXT High Capacity Suspensions

The dimension of cutting diameter must facilitate a range of **2.00"-2.01"**



For AIRTEK, AIRTEK NXT, SOFTEK, SOFTEK NXT, STEERTEK NXT, STEERTEK Suspensions

The dimension of cutting diameter must facilitate a range of **1.802"-1.812"**



TRI-FUNCTIONAL® III BUSHING TOOL

For OPTIMAAX Suspensions

Hendrickson Part No. 66086-122

Use with 3⁵/₈" wide bushings



QUIK-ALIGN SOCKET TOOL SHEAR HEAD BOLT-E20 1"

For OPTIMAAX Suspensions

Hendrickson Part No. A-24536

For Service



PARTS LISTS



PARTS LISTS

BAR PIN STYLE END BUSHING TOOLS

For AR2, HAULMAAX, HN, R, RS and RT/RTE Suspensions

INSTALLATION TOOL

Hendrickson Part No. 66086-103

OTC Part No. 1757 Visit otctools.com



Use with the equalizing beam removed from the truck, and in conjunction with OTC No. 51100 press plate and a 100-ton hydraulic shop press.

REMOVAL TOOLS

Hendrickson Part No. 66086-104

OTC Part No. 206457 Visit otctools.com



Hendrickson Part No. 66086-105

OTC Part No. 302030 Visit otctools.com



ADAPTER STYLE END BUSHING TOOL SET • CENTER BUSHING • TRAILING ARM BUSHING

For AR2, R, RS, RT/RTE and ULTIMAAX Fire/Rescue Suspensions



28K-52K lb. Capacity Bushings

Hendrickson Part No. 66086-102

OTC Part No. 1764 Visit otctools.com

Use with the beam removed from the truck and a 100-ton or larger hydraulic shop press.



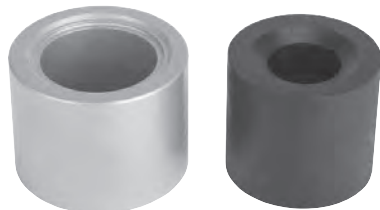
65K-85K lb. Capacity Bushings

Hendrickson Part No. 66086-101

OTC Part No. 1763 Visit otctools.com

CENTER BUSHING TOOLS

For AR2, R, RS and RT/RTE Suspensions



40K lb. Capacity Rubber Bushings

Hendrickson Part No. 66086-100

OTC Part No. 1746

Visit otctools.com

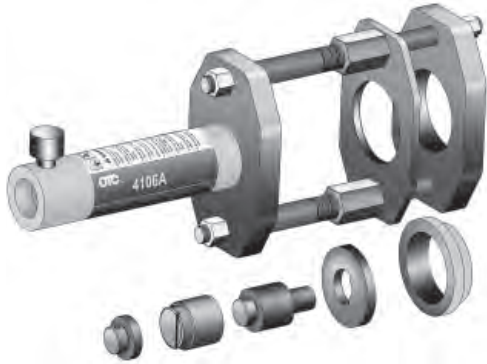


D-PIN • QUIK-ALIGN PIVOT BUSHING SERVICE TOOLS

For COMFORT AIR, FIREMAAX EX and PRIMAAX EX Suspensions

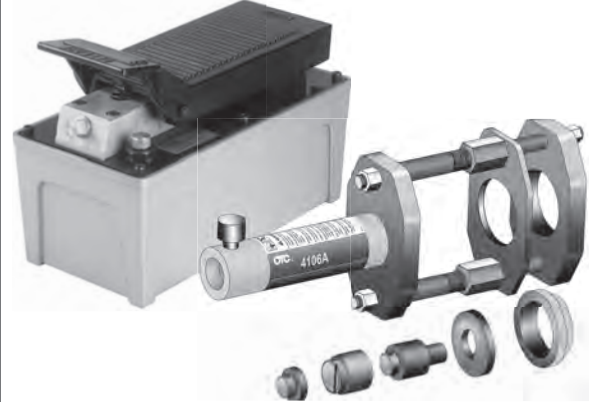
Hendrickson Part No. 66086-202

OTC Part No. 4246 Visit otctools.com



Hendrickson Part No. 66086-204

OTC Part No. 4247 Visit otctools.com



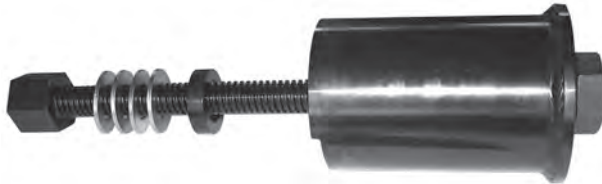
Hendrickson Part No. 66086-205

OTC Part No. 4254 Visit otctools.com

NOTE: In conjunction with Hendrickson Part No. 66086-204 (OTC 4247) this additional adapter tool kit is available to purchase to be used on Hendrickson SOFTEK NXT suspension



PARTS LISTS



QUIK-ALIGN PIVOT BUSHING SERVICE TOOL

Hendrickson Part No. 66086-203L

QUIK-ALIGN SOCKET TOOL

Hendrickson Part No. 66086-200

OTC Part No. 1767

Visit otctools.com



QUIK-WRENCH TOOL

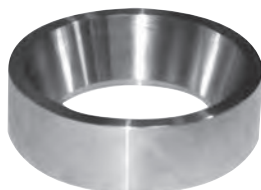
Hendrickson Part No. 66086-201

OTC Part No. 1768 Visit otctools.com



TORQUE ROD BUSHING FUNNEL TOOLS

For ULTRA ROD and ULTRA ROD PLUS



Hendrickson Part No. 66086-000L – ULTRA ROD PLUS

Hendrickson Part No. 66086-001L – ULTRA ROD

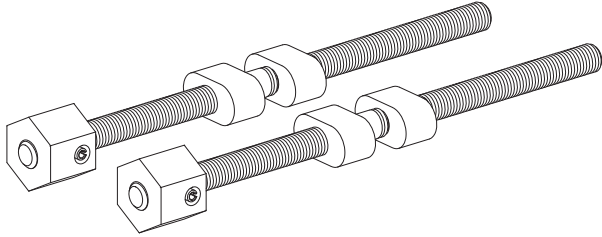


SADDLE ASSEMBLY TOOLS

For ULTIMAAX Suspensions

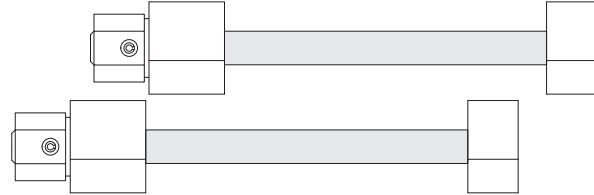
DISASSEMBLY TOOL

Hendrickson Part No. 66086-113L



ASSEMBLY TOOL

Hendrickson Part No. 66086-108L

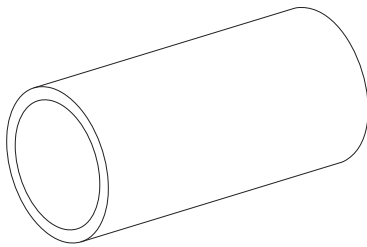


CENTER BUSHING TOOLS

For ULTIMAAX Suspensions

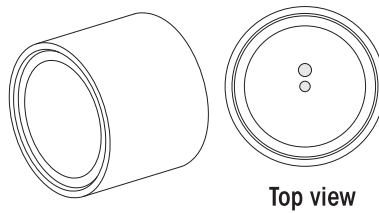
RECEIVING TOOL

Hendrickson Part No. 66086-112



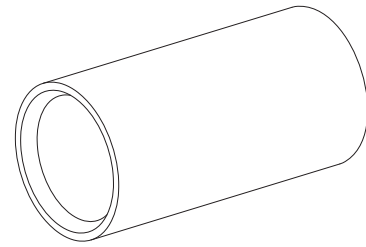
INSTALLATION TOOL

Hendrickson Part No. 66086-107



REMOVAL TOOL

Hendrickson Part No. 66086-110

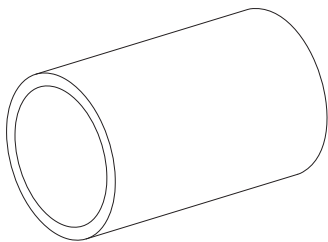


END BUSHING TOOLS

For ULTIMAAX Suspensions

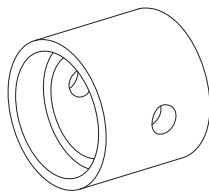
RECEIVING TOOL

Hendrickson Part No. 66086-111



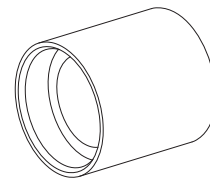
INSTALLATION TOOL

Hendrickson Part No. 66086-106

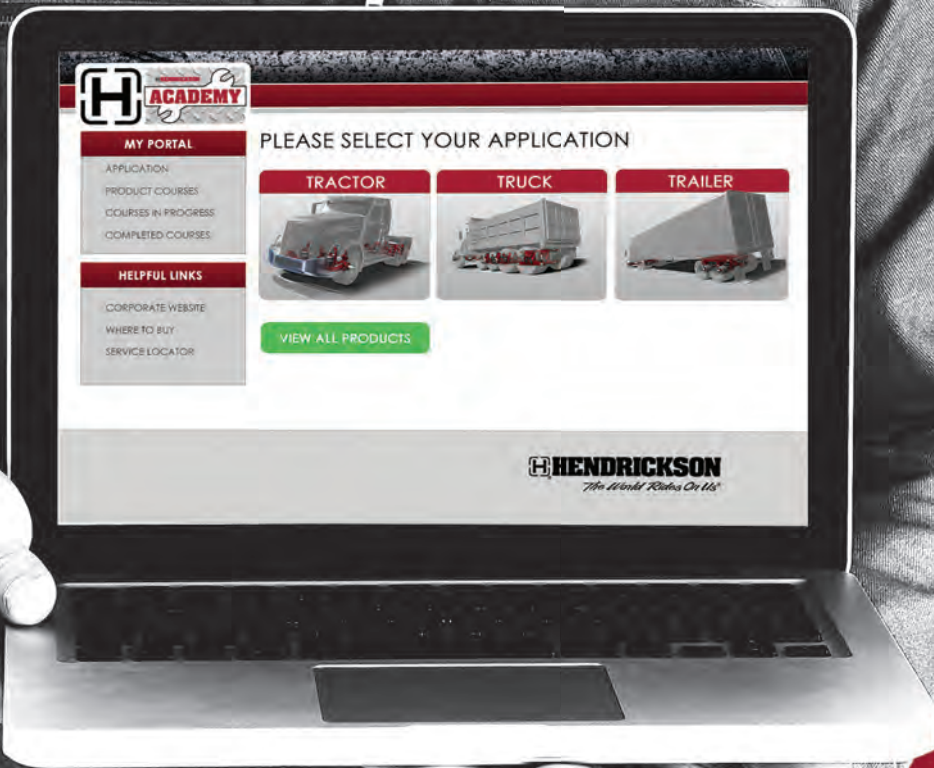


REMOVAL TOOL

Hendrickson Part No. 66086-109







Hendrickson's Product Education Portal — an interactive online education portal that provides proper maintenance and repair procedures for many of Hendrickson's suspensions and components.

www.hendrickson-academy.com

Outstanding Customer Service

Our customers demand and deserve quality service. The World Rides On Us[®] symbolizes our commitment to the customer. At Hendrickson that commitment begins early and runs deep.

It starts by providing OEMs advanced engineering services to assist in the design, development and testing of equipment specific to their applications.

We support our products through extensive technical support and training services to help ensure the proper installation, operation, service and maintenance of Hendrickson equipment and aftermarket components.



Toll-free U.S. and Canada | Outside U.S. and Canada
1.866.755.5968 | 1.630.910.2800



1.630.910.2899



PARTS IDENTIFICATION
truckparts@hendrickson-intl.com



TECHNICAL SUPPORT
techservices@hendrickson-intl.com



**Additional Hendrickson
Product Information**
www.hendrickson-intl.com



Truck Commercial Vehicle Systems
 800 South Frontage Road
 Woodridge, IL 60517-4904 USA

1.866.755.5968 (Toll-free U.S. and Canada)
 630.910.2800 (Outside U.S. and Canada)
 Fax 630.910.2899

© 2019 Hendrickson USA, L.L.C. All Rights Reserved. All trademarks shown are owned by Hendrickson USA, L.L.C., or one of the affiliates, in one or more countries.

Information contained in this literature was accurate at the time of publication. Product changes may have been made after the copyright date that are not reflected.

SP-100 Rev H 03-19
 © 1994 – 2019 Hendrickson USA, L.L.C. All Rights Reserved



Hendrickson PLUS+

“Parts Look Up System” is an online tool to help with your serviceable parts and cross reference needs. On the go? PLUS+ is compatible with mobile devices: smart phones and tablets, just open in browser: www.hendrickson-intl.com/partsandservice

