

MOUNTING & LENGTH SPECIFICATIONS

Part No.	Part Type	STRUT BODY		END CODE		LENGTHS			Spring (Rate)	Parts Pack(s)
		Type	Length	Upper	Lower	Comp.	Ext.	Trav.		
1000	Shock	—	—	L1	L1	11.97"	19.41"	7.44"	—	P411
1089	Shock	—	—	LS23	LS23	10.38"	16.25"	5.88"	—	P110
5502†	Shock	—	—	S5	LS33	13.33"	21.87"	6.25"	—	P01637
5504†	Shock	—	—	S4	LS27	14.9"	22.05"	3.76"	—	P01744
5505†	Shock	—	—	S4	LS27	18.09"	21.55"	3.46"	—	P01744
5506	Shock	—	—	S1	LS7	16.99"	27.26"	10.27"	—	None
5507†	Shock	—	—	S1	LS7	16.54"	24.84"	8.3"	—	M17110497
5508†	Shock	—	—	SPEC	LS27	14.19"	23.65"	9.46"	—	M17110697
5509	Shock	—	—	S1	LS27	15.35"	23.35"	8"	—	None
5510	Shock	—	—	LS30	LS27	9.84"	14.02"	4.18"	—	None
5511†	Shock	—	—	S7	LS27	16.48"	26.38"	9.9"	—	None
5512†	Shock	—	—	S1	XP4	12.15"	18.22"	6.07"	—	P00857,P01431
5513†	Shock	—	—	S2	LS43	14.35"	22.34"	7.99"	—	P01524
5514†	Shock	—	—	S15	LS43	17.04"	24.35"	7.31"	—	P01505
5515†	Shock	—	—	S8	LS57	16.35"	25.83"	9.48"	—	P01682
5516	Shock	—	—	S2	SPEC	14.77"	17.87"	3.1"	—	P00838
5517	Shock	—	—	S2	SPEC	14.77"	17.87"	3.1"	—	P00838
5518†	Shock	—	—	S1	LS42	15.08"	24.88"	9.83"	—	
5520	Shock	—	—	S1	LS31	15.57"	25.63"	10.06"	—	P01431
5521†	Shock	—	—	S4	LS43	11.44"	17.83"	6.39"	—	P01417
5522†	Shock	—	—	S1	LS44	14.47"	21.02"	6.46"	—	P01699
5525†	Shock	—	—	S42	LS27	17.84"	20.35"	2.51"	—	P01744
5527†	Shock	—	—	S1	LS42	13.74"	23.02"	9.28"	—	
5528†	Shock	—	—	S1	LS42	13.74"	23.02"	9.28"	—	
5529†	Shock	—	—	S1	LS42	13.74"	23.32"	9.58"	—	
5530†	Shock	—	—	S1	LS65	16.89"	26.46"	9.37"	—	P01682
5532†	Shock	—	—	S4	LS28	18.72"	20.23"	1.51"	—	P01136
5537†	Shock	—	—	S15	LS5	14.27"	21.86"	7.59"	—	P01431
5538†	Shock	—	—	S15	LS31	15.41"	23.15"	7.74"	—	P01431
5539†	Shock	—	—	S15	LS96	13.79"	20.41"	6.62"	—	P01698
5540†	Shock	—	—	S1	LS29	16.34"	25.76"	9.42"	—	P01682
5541†	Shock	—	—	S1	LS32	14.64"	23.46"	8.82"	—	P01603
5543†	Shock	—	—	S15	LS96	14.26"	20.19"	5.93"	—	P01698
5544	Shock	—	—	S2	LS53	12.84"	19.58"	6.73"	—	P00839
5545	Shock	—	—	LS8	LS43	15.89"	25.94"	10.06"	—	P00906
5546	Shock	—	—	S8	LS100	16.76"	26.45"	9.65"	—	P01682
5547	Shock	—	—	S15	LS101	13.3"	20.87"	7.57"	—	P01431
5548	Shock	—	—	S42	LS29	19.31"	24.94"	5.63"	—	P01136
5600	Shock	—	—	S1	SPEC	14.66"	21.42"	6.76"	—	P00906
5601	Shock	—	—	S4	LS50	16.16"	25.91"	9.75"	—	P01511
5602	Shock	—	—	S4	SPEC	11.34"	16.97"	5.63"	—	P01136
5603	Shock	—	—	S4	SPEC	11.34"	16.34"	5"	—	P01136
5605	Shock	—	—	S4	LS7	17.1"	21.03"	3.93"	—	P01136
5607	Shock	—	—	SPEC	LS31	18.76"	26.39"	7.63"	—	BE17110773
5609†	Shock	—	—	S4	LS27	18.3"	22.05"	3.76"	—	P01744
5611	Shock	—	—	S1	LS42	14.72"	22.99"	8.27"	—	BE17110722
5612	Shock	—	—	S4	LS30	18.92"	25.55"	6.63"	—	P01722
5613	Shock	—	—	S1	LS7	17.99"	26.25"	8.26"	—	BE17110497
5614	Shock	—	—	S1	LS50	16.7"	22.94"	6.24"	—	P00906
5615†	Shock	—	—	S1	SPEC	14"	21.59"	5.59"	—	P00906
5616	Shock	—	—	S1	S1	16.02"	22"	5.98"	—	BE17110813
5617	Shock	—	—	SPEC	LS37	18.5"	27.6"	9.1"	—	BE17110773
5618	Shock	—	—	S4	LS78	10.72"	17.16"	6.44"	—	P01603
5621†	Shock	—	—	S4	LS32	14.95"	23.79"	8.84"	—	P01603
5622†	Shock	—	—	S1	SPEC	13.39"	21.34"	7.95"	—	P00906
5624	Shock	—	—	S4	SPEC	15.5"	24.5"	9"	—	P01136
5626	Shock	—	—	S4	LS16	17.69"	21.5"	3.81"	—	P01136
5629	Shock	—	—	S4	LS30	18.13"	25.31"	7.19"	—	P01722
5630	Shock	—	—	LS38	SPEC	17.12"	26.38"	9.26"	—	None
5631	Shock	—	—	S1	CLEV	14.25"	21.88"	7.63"	—	P01488
5632†	Shock	—	—	S1	CLEV	15.21"	22.14"	6.93"	—	P01488

† Bumper Stop Unit. Dimension Shown at Bumper Contact

‡ Hydraulic Lockout Unit. Dimension Shown is Metal-to-Metal, Subtract Approximately 5/8" (.62) from the Extended Length for Start-of-Engagement.

MOUNTING & LENGTH SPECIFICATIONS

Part No.	Part Type	STRUT BODY		END CODE		LENGTHS			Spring (Rate)	Parts Pack(s)
		Type	Length	Upper	Lower	Comp.	Ext.	Trav.		
5633	Shock	—	—	S1	CLEV	16.09"	20.13"	4.05"	—	P01488
5637†	Shock	—	—	SPEC	S1	16.54"	20.95"	4.44"	—	P01488
5639†	Shock	—	—	SPEC	LS29	12.82"	18"	5.18"	—	None
5642	Shock	—	—	S1	LS38	14.17"	22"	7.83"	—	P01627
5643	Shock	—	—	S2	LS71	16.22"	24.72"	8.5"	—	BE17110563
5645	Shock	—	—	S7	LS24	18.67"	27.91"	9.25"	—	None
5646†	Shock	—	—	S1	CLEV	14.56"	21.33"	6.77"	—	P01523
5647	Shock	—	—	S1	LS38	14.69"	22.29"	7.6"	—	P01431
5648†	Shock	—	—	S5	CLEV	16.97"	23.13"	6.16"	—	P01637,P00590
5654	Shock	—	—	S34	CLEV	16.17"	35.08"	18.91"	—	P01720
5656†	Shock	—	—	LS27	LS43	12.98"	20.83"	7.85"	—	None
5657	Shock	—	—	LS26	LS31	10"	14.79"	4.46"	—	None
5658†	Shock	—	—	S4	LS28	17.55"	22.86"	5.31"	—	P01136
5659†	Shock	—	—	S1	SPEC	16.46"	20.87"	4.41"	—	P01488
5662	Shock	—	—	S1	LS102	14.04"	22.29"	8.25"	—	P01431
5663†	Shock	—	—	S1	LS43	15.8"	25.64"	9.64"	—	P01431
5664†	Shock	—	—	S1	LS65	14.2"	20.44"	6.24"	—	P01698
5666†	Shock	—	—	S7	LS43	11.38"	18.23"	6.85"	—	P01699
5667†	Shock	—	—	S1	XP4	12.25"	19.33"	7.06"	—	P00857,P00906
5668	Shock	—	—	LS30	LS92	10.6"	16.16"	5.56"	—	None
5671†	Shock	—	—	LS30	LS25	10.45"	15.31"	4.86"	—	None
5672†	Shock	—	—	LS30	LS25	9.95"	14.31"	4.36"	—	None
5673	Shock	—	—	S4	LS28	18.4"	23.1"	4.69"	—	P01136
5675†	Shock	—	—	S6	LS6	15.64"	23.75"	8.11"	—	P01136
5677	Shock	—	—	S1	LS27	15.16"	23.43"	8.27"	—	BE17110294
5678†	Shock	—	—	S7	LS25	13.79"	20.58"	6.79"	—	None
5681	Shock	—	—	S1	S1	11.35"	19.69"	6.01"	—	P00522
5682†	Shock	—	—	S4	LS6	18.94"	23.62"	4.68"	—	P01136
5683	Shock	—	—	S7	LS25	19.01"	28.13"	9.12"	—	P01699
5684	Shock	—	—	S5	LS84	15.16"	22.37"	3.86"	—	P01733
5685†	Shock	—	—	S5	LS33	18"	23.87"	5.87"	—	P01733
5687	Shock	—	—	S5	LS84	14.66"	23.87"	5.86"	—	P01733
5688	Shock	—	—	LS35	S1	17.6"	26.67"	9.07"	—	None
5689	Shock	—	—	S1	LS43	15.3"	24.89"	9.59"	—	P01431
5697†	Shock	—	—	S7	LS25	19.01"	28.13"	9.12"	—	P01699
5698	Shock	—	—	S6	LS27	18.09"	21.55"	3.46"	—	P01744
5699	Shock	—	—	S1	LS43	16.18"	25.27"	9.09"	—	P01431
5751	Shock	—	—	S4	S4	8.5"	13.44"	4.94"	—	P01134
5752	Shock	—	—	L1	L1	8.63"	12.75"	4.13"	—	None
5753	Shock	—	—	S4	L1	10.38"	16.75"	6.38"	—	P01134
5754	Shock	—	—	S4	XP1	9.63"	15.13"	5.5"	—	P01134
5756†	Shock	—	—	S4	SP	10"	15.5"	5.5"	—	P01137,P00423
5757	Shock	—	—	L1/CP3	L1/CP3	14"	23.63"	9.63"	—	P00572,P00576
5758†	Shock	—	—	S4	S4	9.38"	14.63"	5.25"	—	P01134
5759	Shock	—	—	S4	XP12	9.38"	14.88"	5.5"	—	P01137
5760	Shock	—	—	L1	LS14	14.63"	24.88"	10.25"	—	None
5761	Shock	—	—	S4	L2	11.75"	19"	7.25"	—	P01135
5762†	Shock	—	—	L2	XP5	10.63"	15.25"	4.63"	—	None
5763†	Shock	—	—	S3	LS37	9.88"	14.75"	4.88"	—	P00002
5765	Shock	—	—	SPEC	XP6	10.13"	15.5"	5.38"	—	P00002
5766	Shock	—	—	XP7	L1	12.88"	21.13"	8.25"	—	None
5767	Shock	—	—	LS25	LS22	10.5"	16.75"	6.25"	—	None
5769†	Shock	—	—	S4	LS9	8.38"	11.88"	3.5"	—	P01134
5772	Shock	—	—	S4	L2	12.63"	20.75"	8.13"	—	P01135
5777	Shock	—	—	XP6	LS28	13.88"	22.38"	8.5"	—	None
5778	Shock	—	—	S4	LS47	11.5"	17.88"	6.38"	—	P01417
5779	Shock	—	—	LS29	LS47	10.5"	16.13"	5.63"	—	None
5780	Shock	—	—	LS29	LS47	11.5"	17.75"	6.25"	—	None
5783	Shock	—	—	S4	LS26	12.5"	20"	7.5"	—	P01136
5784†	Shock	—	—	LS38	LS38	11.22"	17.57"	6.35"	—	None
5786	Shock	—	—	S1	LS45	15.63"	27"	11.38"	—	P01479

† Bumper Stop Unit. Dimension Shown at Bumper Contact

‡ Hydraulic Lockout Unit. Dimension Shown is Metal-to-Metal, Subtract Approximately 5/8" (.62) from the Extended Length for Start-of-Engagement.

MOUNTING & LENGTH SPECIFICATIONS

Part No.	Part Type	STRUT BODY		END CODE		LENGTHS			Spring (Rate)	Parts Pack(s)
		Type	Length	Upper	Lower	Comp.	Ext.	Trav.		
5794	Shock	—	—	S4	SPEC	14.38"	24.2"	9.82"	—	P01136
5795	Shock	—	—	S1	SPEC	14.28"	20.05"	5.77"	—	P00906,P01488
5796	Shock	—	—	S4	LS25	15.72"	24.68"	8.96"	—	P01134
5797	Shock	—	—	S4	LS30	18.1"	25.3"	7.2"	—	P01722
5799	Shock	—	—	SPEC	LS27	13.72"	23.04"	9.32"	—	None
5801	Shock	—	—	S4	XP5	9.25"	14.38"	5.13"	—	P01134
5802	Shock	—	—	XP7	L1/CP3	12.75"	20.88"	8.13"	—	P00576
5803	Shock	—	—	S4	L1/CP3	12.75"	21.5"	8.75"	—	P00576,P01134
5804	Shock	—	—	S4	XP4	8.63"	13.38"	4.75"	—	P01134
5809†	Shock	—	—	S4	SP	9"	13.63"	4.63"	—	P00423,P01136
5811	Shock	—	—	S4	LS15	8"	12.25"	4.25"	—	P01134
5815	Shock	—	—	S4	LS19	8.75"	13.25"	4.5"	—	P01134
5818	Shock	—	—	S4	L1/CP3	11.63"	19.38"	7.75"	—	P00576,P01134
5819†	Shock	—	—	S4	S4	9.25"	14.13"	4.88"	—	P01134
5820	Shock	—	—	XP7	L1/CP3	14.13"	24"	9.88"	—	P00576
5821†	Shock	—	—	S4	XP4	8"	11.75"	3.75"	—	P01134
5823†	Shock	—	—	S4	SP	8.63"	12.63"	4"	—	P00423,P01137
5826	Shock	—	—	S4	S4	10.13"	16.38"	6.25"	—	P01134
5827†	Shock	—	—	S4	LS26	9.3"	14.04"	4.74"	—	None
5829	Shock	—	—	S4	S4	7.13"	10.75"	3.63"	—	P01135
5831	Shock	—	—	XP7	S4	12.25"	20.5"	8.25"	—	P01137
5837	Shock	—	—	LS39	S4	11.38"	18.63"	7.25"	—	P01134
5839	Shock	—	—	S4	L1/CP3	11.13"	18.13"	7"	—	P00576,P01134
5840	Shock	—	—	S4	XP4	8.75"	13.25"	4.5"	—	P01134
5843†	Shock	—	—	LS48	LS47	10"	12.88"	2.88"	—	None
5845	Shock	—	—	S4	LS26	12.25"	20.13"	7.88"	—	P01136
5847	Shock	—	—	S4	L1/CP3	12.38"	20.5"	8.13"	—	P00576,P01136
5850	Shock	—	—	LS14	L1	9.5"	14"	4.5"	—	None
5861	Shock	—	—	S4	LS26	14.75"	23.75"	9"	—	P01136
5867	Shock	—	—	S4	L1/CP3	11.75"	19"	7.25"	—	P01134,P00576
5868†	Shock	—	—	LS38	LS30	11.5"	17.5"	6"	—	None
5870	Shock	—	—	S4	L1	14.25"	23.88"	9.63"	—	P01137
5877	Shock	—	—	LS33	LS23	10.38"	15.88"	5.5"	—	None
5882†	Shock	—	—	S4	L1	13.63"	21.13"	7.5"	—	P01137
5892†	Shock	—	—	S4	XP7	10.5"	13.75"	3.25"	—	P01134
5893	Shock	—	—	LS40	LS52	9.38"	14.25"	4.88"	—	None
5896	Shock	—	—	S4	LS4	13.13"	22.13"	9"	—	P01134
5897	Shock	—	—	S4	LS7	16.13"	21.25"	5.13"	—	P01134
5906	Shock	—	—	S4	XP5	9.38"	14.63"	5.25"	—	P01134
5921†	Shock	—	—	XP7	LS4	8.75"	12.38"	3.63"	—	None
5927	Shock	—	—	S4	L1/CP3	12.63"	21.38"	8.75"	—	P00576,P01137
5928†	Shock	—	—	S4	LS83	14.38"	24"	9.63"	—	P01134
5930	Shock	—	—	LS32	LS32	11.88"	18.38"	6.5"	—	None
5931	Shock	—	—	XP7	LS14	18.88"	21.25"	2.38"	—	P00436
5936	Shock	—	—	S4	XP5	12.13"	20.25"	8.13"	—	P00941,P01136
5939†	Shock	—	—	S4	LS52	9.63"	14.88"	5.25"	—	P01134
5945	Shock	—	—	S4	LS23	13"	21.38"	8.38"	—	P01137
5947†	Shock	—	—	S1	LS74	14.38"	21.75"	7.38"	—	P01180
5948†	Shock	—	—	LS7	LS7	14"	22.75"	8.75"	—	None
5955†	Shock	—	—	XP7	L1/CP3	13.13"	21.25"	8.13"	—	P00576
5959†	Shock	—	—	LS7	LS7	13.38"	21.5"	8.13"	—	None
5960†	Shock	—	—	S4	XP4	9.13"	13.75"	4.63"	—	P01136
5961†	Shock	—	—	S4	L1/CP3	12.13"	20"	7.88"	—	P01136,P00576
5962†	Shock	—	—	LS7	LS7	13.38"	21.5"	8.13"	—	None
5965†	Shock	—	—	S4	LS47	14.5"	19.13"	4.63"	—	P01136
5966†	Shock	—	—	XP7	L1/CP3	13.13"	21.25"	8.13"	—	P00576,P00941
5967†	Shock	—	—	S4	L1/CP3	12.13"	19.63"	7.5"	—	P01136,P00576
5968†	Shock	—	—	S4	LS26	14.5"	19.13"	4.63"	—	P01136
5969†	Shock	—	—	S4	XP4	9.13"	13.75"	4.63"	—	P01136
5970†	Shock	—	—	S4	SPEC	11.38"	18.63"	7.25"	—	P01180,P01181
5971	Shock	—	—	S4	SPEC	15"	21"	6"	—	P01401,P01136

† Bumper Stop Unit. Dimension Shown at Bumper Contact

‡ Hydraulic Lockout Unit. Dimension Shown is Metal-to-Metal, Subtract Approximately 5/8" (.62) from the Extended Length for Start-of-Engagement.

MOUNTING & LENGTH SPECIFICATIONS

Part No.	Part Type	STRUT BODY		END CODE		LENGTHS			Spring (Rate)	Parts Pack(s)
		Type	Length	Upper	Lower	Comp.	Ext.	Trav.		
5974†	Shock	—	—	S1	LS74	15.13"	24"	8.88"	—	BE17110294
5975	Shock	—	—	S1	LS43	10.5"	17"	6.5"	—	BE17110308
5980†	Shock	—	—	S1	LS27	14"	21"	7"	—	BE17110409
5981†	Shock	—	—	S1	LS27	14.38"	23.63"	9.25"	—	BE17110294
5984	Shock	—	—	S1	LS7	16.5"	25.75"	9.25"	—	None
5986†	Shock	—	—	LS97	LS25	12.88"	17.88"	5"	—	None
5987†	Shock	—	—	S1	LS26	16"	26.25"	10.25"	—	P00906
5988†	Shock	—	—	S1	LS27	14.38"	24.13"	9.75"	—	BE17110294
5989†	Shock	—	—	LS33	LS28	11.75"	18.13"	6.38"	—	None
5990†	Shock	—	—	S1	SPEC	14.63"	21.13"	6.5"	—	P00906
5991†	Shock	—	—	S1	LS5	13.25"	21.88"	8.63"	—	BE17110404
5992†	Shock	—	—	S1	LS48	15.38"	24.5"	9.13"	—	BE17110507
5993†	Shock	—	—	S4	LS74	12.5"	21.25"	8.75"	—	P01136
5996	Shock	—	—	S1	LS7	16.88"	25.13"	8.25"	—	BE17110497
5997	Shock	—	—	LS6	LS43	13.38"	20.25"	6.88"	—	None
5998	Shock	—	—	S1	LS27	14.63"	23.5"	8.88"	—	BE17110294
5999	Shock	—	—	S1	LS31	13.75"	21"	7.25"	—	BE17110496
20400	Shock	—	—	S4	LS50	8.75"	13.5"	4.75"	—	P01134
20402†	Shock	—	—	L3	L3	13.63"	21.63"	8"	—	P00575
20407†	Shock	—	—	S4	XP7	13"	21.13"	8.13"	—	P01136
20408	Shock	—	—	XP7	LS26	15"	25.25"	10.25"	—	P00941
20409†	Shock	—	—	LS77	LS28	11"	16.38"	5.38"	—	None
20410†	Shock	—	—	S4	XP7	9.75"	15.13"	5.38"	—	P1135
20413	Shock	—	—	S4	XP7	8.63"	13.38"	4.75"	—	P01134
20418†	Shock	—	—	LS77	LS28	11.34"	16.44"	5.1"	—	None
20430†	Shock	—	—	LS27	LS26	10.5"	15.75"	5.25"	—	None
20433†	Shock	—	—	S5	LS92	9.5"	13.75"	4.25"	—	P01167
20434	Shock	—	—	LS92	LS92	15.47"	24.63"	9.16"	—	None
20444†	Shock	—	—	LS28	LS28	11.25"	17.13"	5.88"	—	None
20450†	Shock	—	—	S4	XP7	13.5"	17.88"	4.38"	—	P01135,P00941
20451†	Shock	—	—	S4	LS7	16"	20.75"	4.75"	—	P01278
20452	Shock	—	—	S4	XP7	8.38"	12.75"	4.38"	—	P01134
20453†	Shock	—	—	S5	XP7	10.25"	15"	4.75"	—	P01167
20467†	Shock	—	—	S4	LS26	11.5"	18.25"	6.75"	—	P01134
20497†	Shock	—	—	S4	XP7	11.5"	17.88"	6.38"	—	P01135,P00941
20701†	Shock	—	—	LS39	LS39	11.5"	16.5"	5"	—	None
20702	Shock	—	—	L2	L2	14.13"	23.38"	9.25"	—	None
20703†	Shock	—	—	S4	LS25	10.62"	16.48"	5.86"	—	P01135
20704	Shock	—	—	S4	LS26	12.38"	19.75"	7.38"	—	P01134
20705	Shock	—	—	S4	XP7	8.63"	13.25"	4.63"	—	P01135
20706	Shock	—	—	LS39	L2	15.63"	26.25"	10.63"	—	None
20707†	Shock	—	—	S4	LS26	9.88"	14.38"	4.5"	—	P01135
20708	Shock	—	—	L1	LS26	12.84"	20.38"	7.54"	—	P57
20709†	Shock	—	—	S4	XP7	12.5"	19.88"	7.38"	—	P01136
20710	Shock	—	—	XP7	L1	12.38"	20.38"	8"	—	None
20711	Shock	—	—	LS24	LS24	11.88"	18.25"	6.38"	—	P00816
20712	Shock	—	—	LS37	LS37	9.93"	14.63"	4.7"	—	None
20713	Shock	—	—	LS24	LS24	14.13"	22.88"	8.75"	—	P00019
20715†	Shock	—	—	S4	LS26	12.13"	19.75"	7.63"	—	P01136
20716†	Shock	—	—	S4	LS2	13.88"	19"	5.13"	—	P1137
20718	Shock	—	—	L1	LS26	10.13"	14.63"	4.5"	—	P00019
20719	Shock	—	—	LS29	LS29	12.88"	21"	8.13"	—	None
20720	Shock	—	—	XP7	LS14	12.88"	21.38"	8.5"	—	P436
20721	Shock	—	—	S4	LS23	8.38"	12.5"	4.13"	—	P01137
20722	Shock	—	—	L1	L1	11.25"	17.88"	6.63"	—	P00411
20724	Shock	—	—	S4	SPEC	8.68"	13.37"	4.69"	—	P01134
20728†	Shock	—	—	L1	LS26	11.75"	18"	6.25"	—	None
20729	Shock	—	—	LS74	LS74	13.88"	22.88"	9"	—	None
20733	Shock	—	—	S4	L1/CP1	12.25"	20.38"	8.13"	—	P00576,P01136
20734	Shock	—	—	S4	XP7	8.63"	13"	4.38"	—	P01135
20735	Shock	—	—	XP7	LS28	13.75"	22.75"	9"	—	None

† Bumper Stop Unit. Dimension Shown at Bumper Contact

‡ Hydraulic Lockout Unit. Dimension Shown is Metal-to-Metal, Subtract Approximately 5/8" (.62) from the Extended Length for Start-of-Engagement.

MOUNTING & LENGTH SPECIFICATIONS

Part No.	Part Type	STRUT BODY		END CODE		LENGTHS			Spring (Rate)	Parts Pack(s)
		Type	Length	Upper	Lower	Comp.	Ext.	Trav.		
20736	Shock	—	—	S4	LS23	9.25"	14.38"	5.13"	—	P01134
20738	Shock	—	—	S4	LS23	13"	21.38"	8.38"	—	P01137
20744	Shock	—	—	S4	XP7	9.5"	14"	4.5"	—	P1134
20745†	Shock	—	—	XP7	LS92	16.34"	26.75"	10.41"	—	None
20747†	Shock	—	—	S4	LS26	9.63"	14.75"	5.13"	—	P01135
20748	Shock	—	—	L1	LS26	12.88"	21.38"	8.5"	—	P570
20750†	Shock	—	—	LS28	LS26	11.88"	18.13"	6.25"	—	None
20751	Shock	—	—	L1	L1	13.38"	23.13"	9.75"	—	P00829
20752	Shock	—	—	L1	LS26	13.38"	22.88"	9.5"	—	None
20754†	Shock	—	—	LS28	LS28	11.75"	18"	6.25"	—	None
20761	Shock	—	—	L1	LS26	14.97"	24.63"	9.66"	—	None
20764†	Shock	—	—	S4	S4	10.75"	17.25"	6.5"	—	P01134,P01137
20765	Shock	—	—	S4	LS12	9.88"	15.75"	5.88"	—	P01134
20767†	Shock	—	—	XP7	SP	9.5"	14.25"	4.75"	—	P00423
20768	Shock	—	—	LS23	LS23	10.38"	16.25"	5.88"	—	P00110
20769†	Shock	—	—	S4	LS23	14.13"	16.75"	2.63"	—	P00124,P01137
20775	Shock	—	—	LS24	LS24	11.88"	18.25"	6.38"	—	P00816
20776†	Shock	—	—	S4	L1	9.25"	14"	4.75"	—	P01135
20777†	Shock	—	—	S4	LS26	9.25"	14"	4.75"	—	P01135
20778	Shock	—	—	L1	LS26	13.88"	22.88"	9"	—	P00827
20779	Shock	—	—	L1	LS26	15.34"	26.41"	11.07"	—	P00827
20792†	Shock	—	—	S4	SPEC	11.38"	18.63"	7.25"	—	P01180,P01181
20801	Shock	—	—	S4	XP7	9.25"	14.5"	5.25"	—	P01134
20802	Shock	—	—	XP4	L1/CP3	12.69"	20.76"	8.07"	—	P00576
20803	Shock	—	—	S4	L1/CP1	12.63"	21.25"	8.63"	—	P00576,P01134
20809†	Shock	—	—	S4	SP	9.13"	13.63"	4.5"	—	P00423,P01136
20818	Shock	—	—	S4	L1/CP1	11.75"	19.38"	7.63"	—	P00576,P01134
20824	Shock	—	—	S4	LS18	8.13"	12.13"	4"	—	P01134
20829	Shock	—	—	S4	S4	7.13"	10.63"	3.5"	—	P01135
20831	Shock	—	—	XP7	S4	12.25"	20.38"	8.13"	—	P01137
20837	Shock	—	—	LS28	S4	11.25"	18.5"	7.25"	—	P1134
20851	Shock	—	—	L1	L1	12"	19.5"	7.5"	—	P00411
20852	Shock	—	—	L1	S4	11.88"	19.38"	7.5"	—	P01137
20855	Shock	—	—	S4	LS23	8.88"	13.75"	4.88"	—	P01134
20857†	Shock	—	—	S4	LS7	10.25"	15.5"	5.25"	—	P01137
20861†	Shock	—	—	S4	LS26	14.13"	23.63"	9.5"	—	P1136
20864†	Shock	—	—	LS7	LS7	13.38"	21.5"	8.13"	—	None
20865	Shock	—	—	XP7	LS92	14.5"	24"	9.5"	—	None
20867†	Shock	—	—	S4	L1/CP1	11.63"	18.75"	7.13"	—	P01134,P00576
20888	Shock	—	—	LS23	LS30	10.38"	16.25"	5.88"	—	None
20896	Shock	—	—	S4	LS4	13"	22.07"	9.07"	—	P01134
20897†	Shock	—	—	S4	LS7	16.13"	21.25"	5.13"	—	P01134
20936	Shock	—	—	S4	XP7	12.13"	20.38"	8.25"	—	P01136 & P00941
20948†	Shock	—	—	LS7	LS7	14"	22.75"	8.75"	—	None
20950†	Shock	—	—	S4	LS92	11.88"	19.13"	7.25"	—	P1136
20960†	Shock	—	—	S4	XP4	9.13"	13.75"	4.63"	—	P01136
20961†	Shock	—	—	S4	L1/CP1	12.13"	19.5"	7.38"	—	P01136,P00576
20965†	Shock	—	—	S4	LS92	14.5"	19.13"	4.63"	—	P01136
20968†	Shock	—	—	S4	LS26	14.5"	19.13"	4.63"	—	P01136
31000	Shock	—	—	L1	L1	12"	19.5"	7.5"	—	P00411
31029	Shock	—	—	S4	L1	9.63"	15.38"	5.75"	—	P01134
31069†	Shock	—	—	S4	S4	10.75"	17.25"	6.5"	—	P01134,P01137
31089	Shock	—	—	LS23	LS23	10.38"	16.25"	5.88"	—	P00110
31094	Shock	—	—	L1	L1	13.38"	23.13"	9.75"	—	P00829
31125	Shock	—	—	S4	S4	12.25"	20.75"	8.5"	—	P01137
31131	Shock	—	—	L2	L2	14.13"	23.38"	9.25"	—	None
31162	Shock	—	—	L1	S4	11.88"	19.38"	7.5"	—	P01137
31176	Shock	—	—	S4	S4	7.13"	10.63"	3.5"	—	P01135
31538†	Shock	—	—	S4	LS23	14.13"	16.75"	2.63"	—	P00124,P01137
31542	Shock	—	—	LS23	LS30	10.38"	16.25"	5.88"	—	None
32022	Shock	—	—	S4	LS12	9.88"	15.75"	5.88"	—	P01134

† Bumper Stop Unit. Dimension Shown at Bumper Contact

‡ Hydraulic Lockout Unit. Dimension Shown is Metal-to-Metal, Subtract Approximately 5/8" (.62) from the Extended Length for Start-of-Engagement.

MOUNTING & LENGTH SPECIFICATIONS

Part No.	Part Type	STRUT BODY		END CODE		LENGTHS			Spring (Rate)	Parts Pack(s)
		Type	Length	Upper	Lower	Comp.	Ext.	Trav.		
32066	Shock	—	—	S4	XP7	9.25"	14.5"	5.25"	—	P01134
32067	Shock	—	—	S4	LS19	8.68"	13.37"	4.69"	—	P01134
32073	Shock	—	—	LS28	L2	13.63"	22.5"	8.88"	—	None
32075†	Shock	—	—	S4	LS25	10.62"	16.48"	5.86"	—	P01135
32080	Shock	—	—	S4	LS26	12.38"	19.75"	7.38"	—	P01134
32103†	Shock	—	—	L1	S4	11.5"	17.88"	6.38"	—	P01135,P00576
32112	Shock	—	—	XP7	S4	12.25"	20.38"	8.13"	—	P01137
32113	Shock	—	—	S4	LS23	8.88"	13.75"	4.88"	—	P01134
32118†	Shock	—	—	S4	LS20	8.38"	11"	2.63"	—	P01135
32126	Shock	—	—	S4	L1/CP1	11.75"	19.38"	7.63"	—	P00576,P01134
32127	Shock	—	—	S4	XP7	8.63"	13.25"	4.63"	—	P01135
32132	Shock	—	—	S4	SPEC	8.68"	13.37"	4.69"	—	P01134
32134	Shock	—	—	S4	LS18	8.13"	12.13"	4"	—	P01134
32143	Shock	—	—	S4	LS14	11.63"	19.25"	7.63"	—	P01134,P00436
32164	Shock	—	—	L1	LS26	12.84"	20.38"	7.54"	—	P57
32186	Shock	—	—	XP7	LS92	14.5"	24"	9.5"	—	None
32191	Shock	—	—	S4	LS17	10.25"	16.5"	6.25"	—	P01135
32194†	Shock	—	—	LS39	LS39	11.5"	16.5"	5"	—	None
32196†	Shock	—	—	S4	XP7	12.5"	19.88"	7.38"	—	P01136
32197	Shock	—	—	XP7	L1	12.38"	20.38"	8"	—	None
32202†	Shock	—	—	S4	LS26	12.13"	19.75"	7.63"	—	P01136
32206	Shock	—	—	S4	LS23	8.38"	12.5"	4.13"	—	P01137
32207	Shock	—	—	L1	L1	11.25"	17.88"	6.63"	—	P00411
32212	Shock	—	—	LS74	LS74	13.88"	22.88"	9"	—	None
32214	Shock	—	—	S4	XP7	8.63"	13"	4.38"	—	P01135
32215	Shock	—	—	XP7	LS28	13.75"	22.75"	9"	—	None
32217	Shock	—	—	S4	LS23	9.25"	14.38"	5.13"	—	P01134
32219†	Shock	—	—	S4	LS38	14.4"	23.87"	9.47"	—	P01135
32220	Shock	—	—	L1	LS26	11.63"	18.25"	6.63"	—	None
32224	Shock	—	—	S4	XP7	9.5"	14"	4.5"	—	P1134
32225†	Shock	—	—	XP7	LS92	16.34"	26.75"	10.41"	—	None
32226†	Shock	—	—	S4	LS26	10.5"	15.88"	5.38"	—	P01135
32227†	Shock	—	—	S4	LS26	9.63"	14.75"	5.13"	—	P01135
32228	Shock	—	—	L1	LS26	12.88"	21.38"	8.5"	—	P570
32230†	Shock	—	—	LS28	LS26	11.88"	18.13"	6.25"	—	None
32231	Shock	—	—	L1	LS26	13.38"	22.88"	9.5"	—	None
32233†	Shock	—	—	LS28	LS28	11.75"	18"	6.25"	—	None
32235†	Shock	—	—	S4	L1	9.25"	14"	4.75"	—	P01135
32237	Shock	—	—	L1	LS26	13.88"	22.88"	9"	—	P00827
32238	Shock	—	—	L1	LS26	15.34"	26.41"	11.07"	—	P00827
32239	Shock	—	—	L1	LS26	14.97"	24.63"	9.66"	—	None
32243†	Shock	—	—	S4	LS26	9.25"	14"	4.75"	—	P01135
32245	Shock	—	—	S4	LS50	8.75"	13.5"	4.75"	—	P01134
32247†	Shock	—	—	L3	L3	13.63"	21.63"	8"	—	P00575
32248†	Shock	—	—	S4	L3	12.88"	20.88"	8"	—	P01134,P00081
32249	Shock	—	—	S4	LS23	9.38"	14.63"	5.25"	—	P01134
32250	Shock	—	—	S4	LS38	9.63"	14.88"	5.25"	—	P01135
32251	Shock	—	—	XP7	LS28	15.5"	25.88"	10.38"	—	None
32252†	Shock	—	—	S4	XP7	13"	21.13"	8.13"	—	P01136
32253	Shock	—	—	XP7	LS26	15"	25.25"	10.25"	—	P00941
32254†	Shock	—	—	LS77	LS28	11"	16.38"	5.38"	—	None
32258	Shock	—	—	S4	XP7	8.63"	13.38"	4.75"	—	P01134
32259†	Shock	—	—	S4	L1	9.38"	14.25"	4.88"	—	P01135
32260	Shock	—	—	S4	LS26	12.25"	20.63"	8.38"	—	P01135
32263†	Shock	—	—	LS77	LS28	11.34"	16.44"	5.1"	—	None
32264†	Shock	—	—	XP7	LS92	14"	22.63"	8.63"	—	P00941
32265†	Shock	—	—	XP7	LS92	14.88"	24"	9.13"	—	None
32266†	Shock	—	—	XP7	LS92	15.5"	25.38"	9.88"	—	None
32267†	Shock	—	—	S4	L1	9.88"	14.63"	4.75"	—	P01135
32268	Shock	—	—	S4	LS26	13.13"	21.75"	8.63"	—	P01135
32269†	Shock	—	—	L1	LS25	13.38"	21.5"	8.13"	—	None

† Bumper Stop Unit. Dimension Shown at Bumper Contact

‡ Hydraulic Lockout Unit. Dimension Shown is Metal-to-Metal, Subtract Approximately 5/8" (.62) from the Extended Length for Start-of-Engagement.

MOUNTING & LENGTH SPECIFICATIONS

Part No.	Part Type	STRUT BODY		END CODE		LENGTHS			Spring (Rate)	Parts Pack(s)
		Type	Length	Upper	Lower	Comp.	Ext.	Trav.		
32270	Shock	—	—	L1	L1	15.13"	25"	9.88"	—	None
32271	Shock	—	—	S4	LS23	10.25"	15.38"	5.13"	—	P01134
32272†	Shock	—	—	LS78	L3	12.63"	19.75"	7.13"	—	P00120
32273	Shock	—	—	S4	LS24	9.13"	13.63"	4.5"	—	P01134
32274†	Shock	—	—	S4	LS50	11.75"	18.13"	6.38"	—	P01134
32275†	Shock	—	—	LS27	LS26	10.5"	15.75"	5.25"	—	None
32277†	Shock	—	—	S5	LS92	9.5"	13.75"	4.25"	—	P01167
32278	Shock	—	—	LS92	LS92	15.47"	24.63"	9.16"	—	None
32279‡	Shock	—	—	S5	LS92	13.88"	21.75"	7.88"	—	P01167
32280†	Shock	—	—	S4	LS26	10.13"	15"	4.88"	—	P1135
32284	Shock	—	—	S4	LS26	13.88"	22.75"	8.88"	—	P01136
32285†	Shock	—	—	S4	LS26	11.25"	16.75"	5.5"	—	P01135
32286†	Shock	—	—	S4	S4	13.5"	22.13"	8.63"	—	P01137
32288†	Shock	—	—	LS26	LS26	14.13"	22.38"	8.25"	—	None
32290†	Shock	—	—	LS28	LS28	11.25"	17.13"	5.88"	—	None
32292	Shock	—	—	S4	XP7	9.38"	14.5"	5.13"	—	P01134
32293†	Shock	—	—	L1	L1	11.97"	19.66"	7.69"	—	None
32294†	Shock	—	—	L3	L3	12.88"	20.38"	7.5"	—	P00575
32295†	Shock	—	—	L3	L3	12.5"	19.63"	7.13"	—	P00575
32296†	Shock	—	—	S4	XP7	13.5"	17.88"	4.38"	—	P01135,P00941
32299	Shock	—	—	S4	SPEC	15"	21"	6"	—	P01136,P01401
32300	Shock	—	—	S4	XP7	8.38"	12.75"	4.38"	—	P01134
32301	Shock	—	—	LS24	LS24	11.88"	18.25"	6.38"	—	P00816
32302†	Shock	—	—	S5	XP7	10.25"	15"	4.75"	—	P01167
32303	Shock	—	—	S4	LS26	13.88"	23.75"	9.88"	—	P01135
32304†	Shock	—	—	S4	LS39	10.04"	14.26"	4.22"	—	P1136
32305	Shock	—	—	S4	LS26	15.63"	27.25"	11.63"	—	P1136
32306†	Shock	—	—	XP7	LS24	12.5"	19.63"	7.13"	—	None
32315†	Shock	—	—	S4	LS22	13"	21.5"	8.5"	—	P01134
32316†	Shock	—	—	S4	LS26	11.5"	18.25"	6.75"	—	P01134
32317†	Shock	—	—	S4	XP7	9.13"	13.75"	4.63"	—	P01136
32318	Shock	—	—	S4	XP7	8.5"	13"	4.5"	—	P01135
32319†	Shock	—	—	LS28	LS28	14.47"	22.81"	8.34"	—	None
32321†	Shock	—	—	LS28	LS28	15.25"	24.63"	9.38"	—	None
32322†	Shock	—	—	LS26	LS26	13.75"	21.75"	8"	—	None
32323†	Shock	—	—	LS26	LS26	14.38"	23.13"	8.75"	—	None
32324	Shock	—	—	S4	LS43	14.27"	23.93"	9.66"	—	P01135
32325	Shock	—	—	S4	LS43	16.13"	27.38"	11.25"	—	P01136
32326†	Shock	—	—	S4	XP7	10.38"	14.38"	4"	—	P01135
32327†	Shock	—	—	LS92	LS92	15.55"	23.81"	8.26"	—	None
32328†	Shock	—	—	S4	CLEV	10.97"	15.07"	4.1"	—	P01136
32329†	Shock	—	—	LS43	LS43	15.38"	25.5"	10.13"	—	None
32330†	Shock	—	—	S4	XP7	10.38"	13.63"	3.25"	—	P01135
32333†	Shock	—	—	LS26	LS26	12.5"	20.13"	7.63"	—	None
32334†	Shock	—	—	S4	L3	12.38"	20"	7.63"	—	P01134,P00081
32335†	Shock	—	—	LS52	LS30	14.38"	23.13"	8.75"	—	None
32336†	Shock	—	—	S4	LS23	9.63"	15"	5.38"	—	P01134
32337†	Shock	—	—	S4	LS78	11.63"	18.63"	7"	—	P01134
32338†	Shock	—	—	S4	XP7	13"	21.13"	8.13"	—	P01136,P00941
32339†	Shock	—	—	LS29	LS25	13.38"	21.75"	8.38"	—	None
32340†	Shock	—	—	S5	XP7	10.25"	15"	4.75"	—	P01167
32341†	Shock	—	—	LS92	LS92	16"	26.13"	10.13"	—	None
32344†	Shock	—	—	LS92	LS92	14.43"	22.94"	8.51"	—	None
32345†	Shock	—	—	LS92	LS92	15.05"	24.07"	9.02"	—	None
32346†	Shock	—	—	S4	XP7	11.5"	17.88"	6.38"	—	P01135,P00941
32347†	Shock	—	—	S4	SPEC	10.88"	15.38"	4.5"	—	P01135
32348†	Shock	—	—	LS47	LS47	14.75"	23.5"	8.75"	—	None
32350†	Shock	—	—	S5	LS42	10.25"	15.13"	4.88"	—	P01167
32356†	Shock	—	—	S5	L1	10.13"	15"	4.88"	—	P01167
32357	Shock	—	—	L1	LS26	16.5"	28.25"	11.75"	—	None
32358†	Shock	—	—	L1	LS26	14.25"	22.88"	8.63"	—	None

† Bumper Stop Unit. Dimension Shown at Bumper Contact

‡ Hydraulic Lockout Unit. Dimension Shown is Metal-to-Metal, Subtract Approximately 5/8" (.62) from the Extended Length for Start-of-Engagement.

MOUNTING & LENGTH SPECIFICATIONS

Part No.	Part Type	STRUT BODY		END CODE		LENGTHS			Spring (Rate)	Parts Pack(s)
		Type	Length	Upper	Lower	Comp.	Ext.	Trav.		
32359	Shock	—	—	L1	LS26	18"	31"	13"	—	None
32361	Shock	—	—	L1	LS24	10.38"	16"	5.63"	—	P00019
32362†	Shock	—	—	S4	XP7	9.63"	14"	4.38"	—	P01134
32363‡	Shock	—	—	LS88	LS54	14.5"	22.75"	8.25"	—	None
32365	Shock	—	—	LS92	LS92	15.75"	26.13"	10.38"	—	None
32366‡	Shock	—	—	S5	LS92	14.38"	22.75"	8.38"	—	P01167
32370	Shock	—	—	L1	L1	16.13"	27.25"	11.13"	—	None
32371	Shock	—	—	S4	XP7	9.25"	13.63"	4.38"	—	P01135
32372†	Shock	—	—	L1	LS26	14"	22.25"	8.25"	—	None
32373‡	Shock	—	—	LS77	LS77	11.75"	15.88"	4.13"	—	None
32375	Shock	—	—	LS28	L2	15.5"	25.88"	10.38"	—	None
32376	Shock	—	—	S4	XP7	10"	15.5"	5.5"	—	P01135
32377	Shock	—	—	L1	L1	12.63"	19.75"	7.13"	—	None
32381	Shock	—	—	S4	L1	11.5"	18.38"	6.88"	—	P01135
32383	Shock	—	—	S4	XP7	9.38"	14.5"	5.13"	—	P01134
32384	Shock	—	—	LS92	LS92	14"	23.13"	9.13"	—	None
32385	Shock	—	—	LS28	L2	14.75"	25.38"	10.63"	—	None
32386	Shock	—	—	L1	LS26	15.97"	26.38"	10.41"	—	None
32388	Shock	—	—	S4	LS23	8.75"	13.38"	4.63"	—	P01134
32389†	Shock	—	—	L1	LS50	13.38"	20.75"	7.38"	—	None
32390†	Shock	—	—	S6	XP7	9.88"	14.25"	4.38"	—	P01167
32391	Shock	—	—	LS47	LS47	16"	26.5"	10.5"	—	None
32392†	Shock	—	—	S6	LS47	10.75"	15.88"	5.13"	—	P01167
32393	Shock	—	—	XP7	LS26	15.25"	25.13"	9.88"	—	None
32394†	Shock	—	—	L1	LS26	13.88"	21.88"	8"	—	None
32395	Shock	—	—	XP7	LS26	16.88"	28.25"	11.38"	—	None
32399	Shock	—	—	S1	LS31	15.88"	23.63"	7.75"	—	P00906
32400	Shock	—	—	S5	XP12	11"	16.38"	5.38"	—	P01167
32401	Shock	—	—	LS47	LS47	16.5"	27.5"	11"	—	None
32402	Shock	—	—	S5	LS47	14.5"	22.75"	8.25"	—	P01167
32403	Shock	—	—	S1	LS7	16.46"	25.79"	9.33"	—	None
32404	Shock	—	—	S4	LS38	15.72"	24.68"	8.96"	—	P01134
32405	Shock	—	—	SPEC	LS23	11.07"	16.38"	5.31"	—	None
32406	Shock	—	—	LS30	LS28	15.25"	24.32"	9.07"	—	None
32407	Shock	—	—	LS30	LS39	15.19"	24.88"	9.69"	—	None
32410	Shock	—	—	S1	SPEC	14.66"	21.42"	6.76"	—	P00906
32545	Shock	—	—	LS23	LS23	13.63"	22.75"	9.13"	—	P00110
32592†	Shock	—	—	LS27	LS27	10.63"	16.25"	5.63"	—	P00110
33033	Shock	—	—	L1	LS26	10.13"	14.63"	4.5"	—	P00019
33049	Shock	—	—	S4	L1/CP1	12.63"	21.25"	8.63"	—	P00576,P01134
33050	Shock	—	—	XP7	L1/CP1	14.13"	23.88"	9.75"	—	P00576
33053†	Shock	—	—	S4	SP	9.13"	13.63"	4.5"	—	P00423,P01136
33059†	Shock	—	—	XP7	SP	9.5"	14.25"	4.75"	—	P00423
33074	Shock	—	—	LS24	LS24	11.88"	18.25"	6.38"	—	P00816
33076	Shock	—	—	LS37	LS37	9.93"	14.63"	4.7"	—	None
33082	Shock	—	—	XP4	L1/CP3	12.69"	20.76"	8.07"	—	P00576
33084	Shock	—	—	LS24	LS24	14.13"	22.88"	8.75"	—	P00019
33086	Shock	—	—	LS29	LS29	12.88"	21"	8.13"	—	None
33095†	Shock	—	—	LS7	LS7	13.38"	21.5"	8.13"	—	None
33097	Shock	—	—	S4	L1/CP1	12.25"	20.38"	8.13"	—	P00576,P01136
33101†	Shock	—	—	LS92	LS92	13.13"	16.25"	3.13"	—	None
33108†	Shock	—	—	S4	LS7	16.13"	21.25"	5.13"	—	P01134
33122†	Shock	—	—	S4	L1/CP1	11.63"	18.75"	7.13"	—	P01134,P00576
33123	Shock	—	—	S4	XP7	9.25"	14.63"	5.38"	—	P01134
33127†	Shock	—	—	S4	XP4	9.13"	13.75"	4.63"	—	P01136
33128†	Shock	—	—	S4	L1/CP1	12.13"	19.5"	7.38"	—	P01136,P00576
33134†	Shock	—	—	S4	LS92	14.5"	19.13"	4.63"	—	P01136
33136†	Shock	—	—	S4	L1/CP1	12.13"	19.5"	7.38"	—	P01136,P00576
33137†	Shock	—	—	S4	LS26	14.5"	19.13"	4.63"	—	P01136
33178	Shock	—	—	S4	LS21	10"	14.5"	4.5"	—	P01134
33179†	Shock	—	—	XP5	LS92	14.31"	22.96"	8.65"	—	None

† Bumper Stop Unit. Dimension Shown at Bumper Contact

‡ Hydraulic Lockout Unit. Dimension Shown is Metal-to-Metal, Subtract Approximately 5/8" (.62) from the Extended Length for Start-of-Engagement.

MOUNTING & LENGTH SPECIFICATIONS

Part No.	Part Type	STRUT BODY		END CODE		LENGTHS			Spring (Rate)	Parts Pack(s)
		Type	Length	Upper	Lower	Comp.	Ext.	Trav.		
33180†	Shock	—	—	S4	LS23	8"	11.91"	3.88"	—	P01137
33181	Shock	—	—	L1	L1	14"	22.5"	8.5"	—	None
33182	Shock	—	—	S4	LS23	8.25"	11.69"	3.44"	—	P01137
33183	Shock	—	—	LS30	LS92	10.49"	16.04"	5.55"	—	None
33184†	Shock	—	—	LS40	LS77	14.45"	23.1"	8.65"	—	None
33185†	Shock	—	—	S4	LS27	18.3"	22.05"	3.75"	—	P01744
33187†	Shock	—	—	S4	LS82	15.21"	25.1"	9.89"	—	P01137
33188†	Shock	—	—	LS84	LS26	11.55"	18.44"	6.89"	—	None
33189†	Shock	—	—	S4	LS92	11.45"	17.77"	6.32"	—	P01417
33190†	Shock	—	—	LS28	LS28	10.4"	14.91"	4.51"	—	None
33191†	Shock	—	—	LS30	LS28	13.82"	21.84"	8.02"	—	None
33192†	Shock	—	—	LS38	LS38	11.26"	16.78"	5.52"	—	None
33193†	Shock	—	—	SPEC	LS44	10.28"	15.96"	5.68"	—	None
33194†	Shock	—	—	XP16	LS38	14.01"	22.53"	8.52"	—	None
33195	Shock	—	—	LS30	LS92	11.37"	17.67"	6.3"	—	None
33196†	Shock	—	—	S15	SPEC	16.54"	20.95"	4.41"	—	P01488
33197†	Shock	—	—	S4	LS34	12.45"	20.15"	7.7"	—	P01136
33198†	Shock	—	—	S4	LS32	12.46"	20.03"	7.57"	—	P01136
33274	Shock	—	—	LS27	LS27	11.47"	17.41"	5.94"	—	None
33275	Shock	—	—	S4	L1	13.03"	21.85"	8.82"	—	P01137
34501†	Shock	—	—	S4	SPEC	10.88"	15.25"	4.38"	—	P01135
34504†	Shock	—	—	S5	LS42	10.38"	15.13"	4.75"	—	P01167
34514†	Shock	—	—	S5	XP10	9.88"	14.25"	4.38"	—	P01167
34515	Shock	—	—	LS47	LS47	16"	26.5"	10.5"	—	None
34516†	Shock	—	—	S5	LS47	10.75"	15.88"	5.13"	—	P01167
34517	Shock	—	—	XP7	LS26	15.25"	25.13"	9.88"	—	None
34518†	Shock	—	—	L1	LS26	13.75"	21.88"	8.13"	—	None
34519	Shock	—	—	XP7	LS26	16.75"	28.25"	11.5"	—	None
34520†	Shock	—	—	S5	XP12	11"	16.38"	5.38"	—	P01167
34521	Shock	—	—	LS47	LS47	16.5"	27.5"	11"	—	None
34522†	Shock	—	—	S5	LS47	14.5"	22.75"	8.25"	—	P01167
34523	Shock	—	—	S5	LS47	13.63"	20.75"	7.13"	—	P01167
34524	Shock	—	—	LS49	LS26	14.75"	24.75"	10"	—	None
34525	Shock	—	—	S5	LS92	13.63"	20.75"	7.13"	—	P01167
34526	Shock	—	—	L1	LS38	17.56"	29.63"	12.06"	—	None
34528†	Shock	—	—	LS80	LS40	16.24"	24.62"	8.38"	—	None
34529†	Shock	—	—	LS80	LS92	15.24"	22.62"	7.38"	—	None
34530†	Shock	—	—	S4	XP4	9.75"	14.02"	4.27"	—	P01136
34531	Shock	—	—	XP5	LS43	13.69"	21.57"	7.88"	—	None
34532	Shock	—	—	XP4	LS39	15.19"	24.32"	9.13"	—	None
34533†	Shock	—	—	LS92	LS92	15.43"	22.69"	7.26"	—	None
34534†	Shock	—	—	S5	LS92	14.75"	21.38"	6.63"	—	P01167
34535†	Shock	—	—	LS92	LS92	17.18"	27.69"	10.51"	—	None
34655†	Shock	—	—	S5	XP5	10.25"	14.88"	4.63"	—	P01167
34656	Shock	—	—	S4	LS26	14.38"	24.25"	9.88"	—	P01135
34657†	Shock	—	—	S4	LS39	10"	14.25"	4.25"	—	P01136
34658	Shock	—	—	S4	LS26	16"	27.5"	11.5"	—	P01136
34671†	Shock	—	—	LS26	LS26	13.63"	21.63"	8"	—	None
34672†	Shock	—	—	LS26	LS26	14.25"	23"	8.75"	—	None
34673	Shock	—	—	S4	LS43	14.25"	23.88"	9.63"	—	P01135
34674	Shock	—	—	S4	LS43	16.13"	27.38"	11.25"	—	P01136
34675	Shock	—	—	S4	XP5	10.38"	14.38"	4"	—	P01135
34676†	Shock	—	—	LS47	LS47	15.5"	23.75"	8.25"	—	None
34677†	Shock	—	—	S4	SPEC	11"	15.13"	4.13"	—	P01136
34678†	Shock	—	—	LS47	LS47	16.75"	25.5"	8.75"	—	None
34681†	Shock	—	—	LS26	LS26	14"	20.13"	6.13"	—	None
34684†	Shock	—	—	S5	L1	10.13"	15"	4.88"	—	P01167
34685	Shock	—	—	L1	LS26	16.5"	28.25"	11.75"	—	None
34686†	Shock	—	—	L1	LS26	14.25"	22.88"	8.63"	—	None
34687	Shock	—	—	L1	LS26	18"	31"	13"	—	None
34689†	Shock	—	—	S5	XP5	10.25"	15"	4.75"	—	P01167

† Bumper Stop Unit. Dimension Shown at Bumper Contact

‡ Hydraulic Lockout Unit. Dimension Shown is Metal-to-Metal, Subtract Approximately 5/8" (.62) from the Extended Length for Start-of-Engagement.

MOUNTING & LENGTH SPECIFICATIONS

Part No.	Part Type	STRUT BODY		END CODE		LENGTHS			Spring (Rate)	Parts Pack(s)
		Type	Length	Upper	Lower	Comp.	Ext.	Trav.		
34690†	Shock	—	—	LS47	LS47	16"	26"	10"	—	None
34692†	Shock	—	—	LS47	LS47	14.75"	23.5"	8.75"	—	None
34693†	Shock	—	—	LS47	LS47	14.38"	23"	8.63"	—	None
34694†	Shock	—	—	LS47	LS47	15"	24.13"	9.13"	—	None
34729†	Shock	—	—	S4	LS26	10"	14.63"	4.63"	—	P01135
34730	Shock	—	—	S4	LS26	10.5"	15.88"	5.38"	—	P01135
34731	Shock	—	—	L1	LS26	12.75"	20.5"	7.75"	—	None
34732†	Shock	—	—	LS26	LS26	14"	22.5"	8.5"	—	None
34733	Shock	—	—	LS26	L1	16.38"	27.25"	10.88"	—	None
34736	Shock	—	—	L1/CP1	LS36	10.38"	16"	5.63"	—	P00019
34741†	Shock	—	—	S4	XP5	9.63"	14"	4.38"	—	P01134
34750	Shock	—	—	S4	XP8	8.88"	13.38"	4.5"	—	P01135
34755†	Shock	—	—	LS48	LS54	14.5"	22.75"	8.25"	—	None
34756†	Shock	—	—	XP5	LS47	14"	22.75"	8.75"	—	None
34759†	Shock	—	—	S4	LS26	12.5"	19.88"	7.38"	—	P01135
34760†	Shock	—	—	S4	L1	9.88"	14.63"	4.75"	—	P01135
34761	Shock	—	—	S4	LS26	13.13"	21.75"	8.63"	—	P01135
34762†	Shock	—	—	XP7	LS47	13.88"	22.5"	8.63"	—	None
34763†	Shock	—	—	XP7	LS47	14.63"	23.88"	9.25"	—	None
34766†	Shock	—	—	S4	XP11	13.12"	20.25"	7.13"	—	P00941,P01136
34767†	Shock	—	—	XP7	LS47	15.25"	25.25"	10"	—	None
34769†	Shock	—	—	LS25	LS74	13.8"	21.81"	8.01"	—	None
34770	Shock	—	—	L1	LS26	16.19"	27.01"	10.82"	—	None
34771	Shock	—	—	LS39	L2	16.63"	28.5"	11.88"	—	None
34774	Shock	—	—	S4	XP10	8.5"	13"	4.5"	—	P01135
34776†	Shock	—	—	S5	LS47	9.5"	13.75"	4.25"	—	P01167
34777	Shock	—	—	LS47	LS47	15.38"	24.63"	9.25"	—	None
34778‡	Shock	—	—	S5	LS47	13.88"	21.75"	7.88"	—	P01167
34780	Shock	—	—	LS28	XP5	14.51"	23.55"	8.94"	—	None
34781	Shock	—	—	LS47	LS47	15.75"	26.13"	10.38"	—	None
34782‡	Shock	—	—	S5	LS47	14.38"	22.75"	8.38"	—	P01167
34783†	Shock	—	—	LS39	LS40	15.13"	24.63"	9.5"	—	None
34785	Shock	—	—	S4	XP14	8.72"	12.8"	4.08"	—	P01137
34786†	Shock	—	—	LS28	LS28	14.59"	22.69"	8.1"	—	None
34787†	Shock	—	—	S5	S5	14.25"	23.25"	9"	—	P01167
34788†	Shock	—	—	S4	L3	14.38"	23.25"	8.88"	—	P00120,P01167
34789†	Shock	—	—	LS39	LS39	15.34"	24.57"	9.23"	—	None
34790	Shock	—	—	S4	LS26	9.72"	14.8"	5.08"	—	P01135
34791	Shock	—	—	L1	L1	16.13"	27.25"	11.13"	—	None
34792†	Shock	—	—	S4	S4	11.5"	18.88"	7.38"	—	P01134
34793†	Shock	—	—	S4	LS26	10.13"	15"	4.88"	—	P01135
34794	Shock	—	—	S4	XP8	9.25"	13.63"	4.38"	—	P01135
34795†	Shock	—	—	LS39	LS39	16.42"	25.53"	9.11"	—	None
34796†	Shock	—	—	S4	L1	9.38"	14.25"	4.88"	—	P01135
34797†	Shock	—	—	L1	LS26	14"	22.25"	8.25"	—	None
34798†	Shock	—	—	LS77	LS39	11.38"	16.5"	5.13"	—	None
34799‡	Shock	—	—	LS77	LS39	11.75"	15.88"	4.13"	—	None
34800†	Shock	—	—	S5	XP10	9.63"	13.77"	4.14"	—	P01167
34802	Shock	—	—	L1	L1	14"	22.75"	8.75"	—	P00829
34803	Shock	—	—	L1	L1	13.25"	21"	7.75"	—	P00573
34804†	Shock	—	—	S4	XP5	13.59"	18.11"	4.52"	—	P01135,P00941
34806†	Shock	—	—	S4	LS43	14"	20.89"	6.89"	—	P01136
34807†	Shock	—	—	S4	LS38	15"	23.39"	8.39"	—	P01136
34810	Shock	—	—	S2	CLEV	13.72"	17.97"	4.25"	—	P01299
34811†	Shock	—	—	LS47	LS47	16.21"	25.32"	9.11"	—	None
34812†	Shock	—	—	LS92	LS92	15.34"	22.35"	7.01"	—	None
34813	Shock	—	—	S6	LS40	14.51"	24.07"	9.56"	—	P01167
34814	Shock	—	—	S5	LS47	14.75"	21.38"	6.63"	—	None
34815	Shock	—	—	LS52	LS47	15.18"	24.43"	9.25"	—	None
34816	Shock	—	—	LS52	LS47	14.46"	22.96"	8.5"	—	None
34817	Shock	—	—	L1/CP1	LS36	9.88"	14.63"	4.75"	—	P00019

† Bumper Stop Unit. Dimension Shown at Bumper Contact

‡ Hydraulic Lockout Unit. Dimension Shown is Metal-to-Metal, Subtract Approximately 5/8" (.62) from the Extended Length for Start-of-Engagement.

MOUNTING & LENGTH SPECIFICATIONS

Part No.	Part Type	STRUT BODY		END CODE		LENGTHS			Spring (Rate)	Parts Pack(s)
		Type	Length	Upper	Lower	Comp.	Ext.	Trav.		
34821	Shock	—	—	L1	LS38	14.25"	22.88"	8.63"	—	None
34822	Shock	—	—	LS37	LS37	13.88"	22.75"	8.88"	—	None
34824	Shock	—	—	L1/CP1	LS47	14"	22.88"	8.88"	—	P00019
34831	Shock	—	—	S4	XP8	8.88"	13.38"	4.5"	—	P01135
34832	Shock	—	—	LS39	L2	14.75"	24.38"	9.63"	—	None
34839	Shock	—	—	LS24	LS24	9.93"	14.63"	4.7"	—	None
34853	Shock	—	—	L2	L2	13.25"	21.13"	7.88"	—	None
34854	Shock	—	—	LS39	L2	15.63"	26.25"	10.63"	—	None
34868	Shock	—	—	S4	XP8	10"	15.5"	5.5"	—	P01135
34899	Shock	—	—	S4	LS38	9.88"	14.38"	4.5"	—	P01135
34900	Shock	—	—	S4	LS38	10.63"	15.88"	5.25"	—	P01135
34901	Shock	—	—	S4	LS38	13.75"	22.63"	8.88"	—	P01135
34904	Shock	—	—	L1	L1	11.88"	18.13"	6.25"	—	P00411
34905	Shock	—	—	L1	L1	12.63"	19.75"	7.13"	—	None
34906†	Shock	—	—	S4	LS38	10.13"	16.75"	6.63"	—	P01135
34907†	Shock	—	—	S4	LS38	13.38"	21.25"	7.88"	—	P01135
34909†	Shock	—	—	S4	S4	13.25"	22"	8.75"	—	P01134
34910	Shock	—	—	LS39	LS39	13"	20.88"	7.88"	—	None
34911	Shock	—	—	S4	LS38	12.38"	19.75"	7.38"	—	P01136
34912	Shock	—	—	L1/CP1	LS54	14.13"	23"	8.88"	—	P00019
34919	Shock	—	—	LS37	LS39	11.63"	18.25"	6.63"	—	P00816
34920	Shock	—	—	LS47	LS47	15.5"	26.13"	10.63"	—	None
34926	Shock	—	—	S4	L1	11.5"	18.38"	6.88"	—	P01135
34927	Shock	—	—	L1	LS26	13.5"	21.75"	8.25"	—	None
34928	Shock	—	—	S4	LS26	11.63"	18.5"	6.88"	—	P01135,P00864
34929	Shock	—	—	LS40	LS40	14.75"	24.63"	9.88"	—	None
34930	Shock	—	—	L1	LS26	14.88"	24.75"	9.88"	—	None
34934	Shock	—	—	SPEC	LS47	14.44"	24"	9.56"	—	None
34944	Shock	—	—	LS37	LS37	11.75"	18.38"	6.63"	—	P00816
34945	Shock	—	—	S4	SPEC	8.94"	13.38"	4.44"	—	P1134
34953	Shock	—	—	S4	XP5	9.38"	14.5"	5.13"	—	P01134
34954	Shock	—	—	S4	L1	11.5"	19.13"	7.63"	—	P01137
34958	Shock	—	—	L1	LS38	12.63"	20.38"	7.75"	—	P00826
34960	Shock	—	—	LS47	LS47	14.13"	22.88"	8.75"	—	None
34963	Shock	—	—	L1	LS26	14.13"	22.88"	8.75"	—	None
34964	Shock	—	—	L1	LS26	15.75"	26.38"	10.63"	—	None
34983†	Shock	—	—	S4	XP5	9.5"	13.75"	4.25"	—	P01134
34985	Shock	—	—	XP7	LS47	16.13"	26.75"	10.63"	—	None
37011†	Shock	—	—	S4	LS26	9.88"	14.5"	4.63"	—	P01135
37013	Shock	—	—	L1	LS26	14.38"	23"	8.63"	—	P00827
37014	Shock	—	—	L1	LS26	16"	26.38"	10.38"	—	P00827
37015†	Shock	—	—	S4	L1	9.75"	14.5"	4.75"	—	P01135
37016†	Shock	—	—	S4	LS27	9"	13"	4"	—	P01135
37017†	Shock	—	—	L3	LS27	14.63"	23.5"	8.88"	—	P00867
37018†	Shock	—	—	S4	L1	10"	15.5"	5.5"	—	P01135
37019	Shock	—	—	S4	XP4	8.88"	13.25"	4.38"	—	P01134
37021	Shock	—	—	XP7	LS47	14.5"	24"	9.5"	—	None
37022	Shock	—	—	S4	LS23	9.63"	14.38"	4.75"	—	P01134
37024	Shock	—	—	S4	L1	13.38"	21.88"	8.5"	—	P01134
37026†	Shock	—	—	S4	XP4	12.88"	20.38"	7.5"	—	P01136
37027†	Shock	—	—	XP12	L1	12.75"	20"	7.25"	—	None
37029	Shock	—	—	L1	L1	14.38"	23"	8.63"	—	None
37030	Shock	—	—	S4	LS82	9.25"	13.63"	4.38"	—	P01134
37031	Shock	—	—	S4	LS23	10.5"	16.38"	5.88"	—	P01134
37032†	Shock	—	—	L3	L3	13.88"	21.5"	7.63"	—	P00575
37033†	Shock	—	—	S4	L3	13.25"	20.88"	7.63"	—	P00081,P01134
37034†	Shock	—	—	S4	LS26	10"	14.75"	4.75"	—	P01135
37035	Shock	—	—	XP7	LS26	15"	25.13"	10.13"	—	P00941
37036	Shock	—	—	S4	L1	11.63"	18.38"	6.75"	—	P01135
37037	Shock	—	—	L1	LS26	13.5"	21.75"	8.25"	—	None
37038	Shock	—	—	L1	LS26	15"	24.75"	9.75"	—	None

† Bumper Stop Unit. Dimension Shown at Bumper Contact

‡ Hydraulic Lockout Unit. Dimension Shown is Metal-to-Metal, Subtract Approximately 5/8" (.62) from the Extended Length for Start-of-Engagement.

MOUNTING & LENGTH SPECIFICATIONS

Part No.	Part Type	STRUT BODY		END CODE		LENGTHS			Spring (Rate)	Parts Pack(s)
		Type	Length	Upper	Lower	Comp.	Ext.	Trav.		
37039	Shock	—	—	L1	LS26	15.88"	26.38"	10.5"	—	None
37040	Shock	—	—	LS37	LS37	11.88"	18.38"	6.5"	—	P00816
37041	Shock	—	—	L1/CP5	LS47	14.13"	22.88"	8.75"	—	P00019
37044†	Shock	—	—	XP7	LS47	16.13"	26.75"	10.63"	—	None
37045†	Shock	—	—	L2	L2	13.13"	20.25"	7.13"	—	None
37046	Shock	—	—	LS39	L2	15.75"	26.13"	10.38"	—	None
37047	Shock	—	—	S4	LS23	8.13"	12.13"	4"	—	P01137
37049	Shock	—	—	L1/CP5	LS36	10"	14.63"	4.63"	—	P00019
37050†	Shock	—	—	S4	XP5	9.5"	13.75"	4.25"	—	P01134
37052	Shock	—	—	L1	LS26	14.38"	23"	8.63"	—	None
37053†	Shock	—	—	S4	LS38	10.75"	15.88"	5.13"	—	P01135
37055†	Shock	—	—	LS26	LS26	14"	22.5"	8.5"	—	None
37058	Shock	—	—	S4	XP4	8.5"	12.38"	3.88"	—	P01134
37060†	Shock	—	—	S4	XP5	10.25"	15.13"	4.88"	—	P01135
37061†	Shock	—	—	LS28	LS26	12"	18.13"	6.13"	—	None
37062†	Shock	—	—	LS77	LS39	11.25"	16.5"	5.25"	—	None
37063	Shock	—	—	S4	XP5	9.25"	14"	4.75"	—	P01134
37064†	Shock	—	—	LS74	LS74	14.75"	23.13"	8.38"	—	None
37065†	Shock	—	—	LS28	LS28	12"	18.13"	6.13"	—	None
37066	Shock	—	—	S4	XP2	8.63"	13"	4.38"	—	P01135
37067	Shock	—	—	XP8	LS39	14.63"	23.5"	8.88"	—	None
37068	Shock	—	—	S4	LS37	9.75"	15"	5.25"	—	P01135
37069	Shock	—	—	XP8	LS39	15.63"	26.25"	10.63"	—	None
37070†	Shock	—	—	S4	LS26	12.13"	18.25"	6.13"	—	P01134
37072	Shock	—	—	S4	XP5	9.38"	14.5"	5.13"	—	P01134
37073	Shock	—	—	L1	L1	13"	20.75"	7.75"	—	None
37074	Shock	—	—	L1	S4	12.13"	19.25"	7.13"	—	P01137
37077	Shock	—	—	S4	LS23	8.88"	13.75"	4.88"	—	P01134
37078	Shock	—	—	L1	L1	12.63"	20"	7.38"	—	None
37080†	Shock	—	—	S4	LS26	12.5"	20.75"	8.25"	—	P01135
37081†	Shock	—	—	S4	XP4	13"	20.75"	7.75"	—	P01136
37082†	Shock	—	—	L1	LS25	13.63"	21.5"	7.88"	—	None
37083†	Shock	—	—	S4	XP4	13.25"	21.13"	7.88"	—	P01136
37085†	Shock	—	—	XP7	LS47	14"	22.38"	8.38"	—	None
37086†	Shock	—	—	XP7	LS47	14.63"	23.75"	9.13"	—	None
37087†	Shock	—	—	XP7	LS47	15.38"	25.25"	9.88"	—	None
37090	Shock	—	—	LS24	LS24	9.93"	14.63"	4.7"	—	None
37091	Shock	—	—	LS39	LS39	13.13"	20.88"	7.75"	—	None
37093	Shock	—	—	S4	XP8	8.88"	13.25"	4.38"	—	P01135
37094	Shock	—	—	LS39	L2	14.88"	24.38"	9.5"	—	None
37095†	Shock	—	—	S4	LS26	10.13"	14.63"	4.5"	—	P01135
37096	Shock	—	—	S4	XP8	8.88"	13.38"	4.5"	—	P01135
37098	Shock	—	—	L1	L1	11.75"	18.25"	6.5"	—	None
37099†	Shock	—	—	LS39	LS39	11.63"	16.5"	4.88"	—	None
37100	Shock	—	—	S4	LS23	9.63"	14.75"	5.13"	—	P01134
37101	Shock	—	—	L1	L1	15.13"	24.88"	9.75"	—	None
37102†	Shock	—	—	S5	LS47	9.5"	13.75"	4.25"	—	P01167
37103	Shock	—	—	LS47	LS47	15.5"	24.63"	9.13"	—	None
37104‡	Shock	—	—	S5	LS92	13.74"	22.01"	8.27"	—	P01167
37105	Shock	—	—	LS47	LS47	15.5"	24.63"	9.13"	—	None
37108	Shock	—	—	S4	LS23	10.38"	15.25"	4.88"	—	P01134
37109†	Shock	—	—	LS78	L3	12.88"	19.63"	6.75"	—	P00120
37110†	Shock	—	—	LS27	LS26	10.63"	15.75"	5.13"	—	None
37111	Shock	—	—	S4	XP5	9.38"	14.5"	5.13"	—	P01134
37112†	Shock	—	—	L1	L1	12.38"	19"	6.63"	—	None
37113†	Shock	—	—	L3	L3	13.25"	20.38"	7.13"	—	P00575
37114†	Shock	—	—	L3	L3	12.88"	19.5"	6.63"	—	P00575
37116†	Shock	—	—	S4	L1	10.25"	14.88"	4.63"	—	P01135
37117	Shock	—	—	S4	LS26	13.5"	22"	8.5"	—	P01135
37120	Shock	—	—	S4	LS38	14.5"	24.38"	9.88"	—	P01135
37121	Shock	—	—	L1	LS38	11.88"	18.38"	6.5"	—	None

† Bumper Stop Unit. Dimension Shown at Bumper Contact

‡ Hydraulic Lockout Unit. Dimension Shown is Metal-to-Metal, Subtract Approximately 5/8" (.62) from the Extended Length for Start-of-Engagement.

MOUNTING & LENGTH SPECIFICATIONS

Part No.	Part Type	STRUT BODY		END CODE		LENGTHS			Spring (Rate)	Parts Pack(s)
		Type	Length	Upper	Lower	Comp.	Ext.	Trav.		
37122†	Shock	—	—	S4	XP4	13.63"	18"	4.38"	—	P01135,P00941
37123†	Shock	—	—	LS28	LS28	11.38"	17"	5.63"	—	None
37125†	Shock	—	—	S4	XP5	9.5"	13.75"	4.25"	—	P01134
37128†	Shock	—	—	S4	L1	9.38"	14.25"	4.88"	—	P01135
37129	Shock	—	—	S4	XP4	8.38"	12.25"	3.88"	—	P01134
37130†	Shock	—	—	LS77	LS39	11.75"	16"	4.25"	—	None
37131†	Shock	—	—	S5	XP5	10.25"	14.88"	4.63"	—	P01167
37132	Shock	—	—	S4	LS26	14.25"	23.88"	9.63"	—	P01135
37133†	Shock	—	—	S4	LS39	10"	14.38"	4.38"	—	P01136
37134	Shock	—	—	S4	LS26	16"	27.5"	11.5"	—	P01136
37135†	Shock	—	—	XP12	LS37	12.5"	19.63"	7.13"	—	None
37137	Shock	—	—	S4	XP5	8.5"	13"	4.5"	—	P01137
37138†	Shock	—	—	LS28	LS28	14.63"	22.75"	8.13"	—	None
37140†	Shock	—	—	LS28	LS28	15.38"	24.63"	9.25"	—	None
37144	Shock	—	—	LS26	LS26	13.75"	21.75"	8"	—	None
37145	Shock	—	—	LS26	LS26	14.38"	23.13"	8.75"	—	None
37146†	Shock	—	—	S1	LS40	15.88"	23.38"	7.5"	—	P00906
37147	Shock	—	—	S4	LS43	14.25"	23.88"	9.63"	—	P01135
37148	Shock	—	—	S4	LS43	16.13"	27.38"	11.25"	—	P01136
37149†	Shock	—	—	S4	XP5	10.38"	14.38"	4"	—	P01135
37150†	Shock	—	—	LS47	LS47	15.63"	23.75"	8.13"	—	None
37151†	Shock	—	—	S4	SPEC	11"	15.13"	4.13"	—	P01136
37152†	Shock	—	—	LS47	LS47	16.88"	25.5"	8.63"	—	None
37153†	Shock	—	—	S4	XP5	10.5"	13.5"	3"	—	P01135
37154†	Shock	—	—	LS26	LS26	14.13"	20.13"	6"	—	None
37155†	Shock	—	—	LS27	LS27	10.5"	16.63"	6.13"	—	None
37156†	Shock	—	—	LS26	LS26	12.75"	20.25"	7.5"	—	None
37157†	Shock	—	—	S4	L3	12.5"	20"	7.5"	—	P00081,P01134
37158†	Shock	—	—	LS52	LS30	14.5"	23.25"	8.75"	—	None
37159†	Shock	—	—	S4	LS23	10.13"	15"	4.88"	—	P01134
37160†	Shock	—	—	S4	LS78	11.88"	18.5"	6.63"	—	P01134
37161†	Shock	—	—	S4	XP4	13"	20.75"	7.75"	—	P00941,P01136
37162†	Shock	—	—	LS29	LS25	13.75"	21.75"	8"	—	None
37163†	Shock	—	—	S5	XP5	10.25"	15"	4.75"	—	P01167
37164†	Shock	—	—	LS47	LS47	16"	26"	10"	—	None
37166†	Shock	—	—	LS47	LS47	14.63"	23.5"	8.88"	—	None
37171	Shock	—	—	S4	LS35	8.03"	11.91"	3.88"	—	P01137
37172	Shock	—	—	LS49	LS49	13.94"	22.63"	8.69"	—	None
37177†	Shock	—	—	S4	XP4	11.63"	18"	6.38"	—	P01135,P00941
37178†	Shock	—	—	S4	SPEC	10.75"	15.38"	4.63"	—	P01135
37181†	Shock	—	—	S5	LS42	10.25"	15.13"	4.88"	—	P01167
37183†	Shock	—	—	S6	LS43	11.51"	17.27"	5.76"	—	P01482
37184†	Shock	—	—	S5	LS68	14.37"	23.14"	8.77"	—	P01167
37186	Shock	—	—	S4	S4	14"	24.25"	10.25"	—	P01137
37187	Shock	—	—	LS37	L1/CP5	9.38"	14.25"	4.88"	—	P00019
37188	Shock	—	—	L1/CP3	L1/CP3	14"	23.63"	9.63"	—	P00572,P00576
37189	Shock	—	—	L2	L2	15.25"	25.63"	10.38"	—	None
37195	Shock	—	—	SPEC	SPEC	8.38"	11.38"	3"	—	None
37196	Shock	—	—	SPEC	SPEC	8.88"	12.38"	3.5"	—	BE17110286
37197	Shock	—	—	S1	S1	12.88"	21.5"	8.63"	—	BE17110046
37199†	Shock	—	—	S4	L1	14.38"	24.25"	9.88"	—	P01137
37202‡	Shock	—	—	LS26	LS26	14.88"	21.25"	6.38"	—	None
37203†	Shock	—	—	LS52	LS28	14"	21.88"	7.88"	—	None
37204†	Shock	—	—	LS74	LS52	15.13"	24.25"	9.13"	—	None
37206†	Shock	—	—	S5	XP12	9.88"	14.25"	4.38"	—	P01167
37207	Shock	—	—	LS47	LS47	16"	26.5"	10.5"	—	None
37208†	Shock	—	—	S5	LS47	10.75"	15.88"	5.13"	—	P01167
37217†	Shock	—	—	S4	LS51	15.25"	25.13"	9.88"	—	P01137
37218	Shock	—	—	LS38	LS38	11.38"	17.38"	6"	—	None
37219†	Shock	—	—	S4	LS43	13.52"	15.02"	1.5"	—	P01136,P01520
37220	Shock	—	—	S4	LS26	9.75"	14.75"	5"	—	P01135

† Bumper Stop Unit. Dimension Shown at Bumper Contact

‡ Hydraulic Lockout Unit. Dimension Shown is Metal-to-Metal, Subtract Approximately 5/8" (.62) from the Extended Length for Start-of-Engagement.

MOUNTING & LENGTH SPECIFICATIONS

Part No.	Part Type	STRUT BODY		END CODE		LENGTHS			Spring (Rate)	Parts Pack(s)
		Type	Length	Upper	Lower	Comp.	Ext.	Trav.		
37225	Shock	—	—	S4	LS36	8.78"	13.39"	4.61"	—	P01134
37226†	Shock	—	—	LS49	LS50	13.43"	20.69"	7.26"	—	None
37231†	Shock	—	—	S4	LS22	13"	21.25"	8.25"	—	P01134
37233	Shock	—	—	LS29	XP7	14.38"	22.75"	8.38"	—	None
37234†	Shock	—	—	LS29	LS29	13.75"	22.38"	8.63"	—	None
37237†	Shock	—	—	S4	LS51	17.38"	23.5"	6.13"	—	P01136
37238	Shock	—	—	S4	LS23	13.63"	22.5"	8.88"	—	P01134
37239	Shock	—	—	S4	LS23	13.13"	21.5"	8.38"	—	P01134
37240†	Shock	—	—	S5	LS54	14.88"	24"	9.13"	—	P01167
37241	Shock	—	—	LS28	LS29	14.56"	23.07"	8.51"	—	None
37242	Shock	—	—	LS28	LS29	14.63"	22.25"	7.63"	—	None
37243	Shock	—	—	S4	L1	13"	21.5"	8.5"	—	P01137
37244	Shock	—	—	LS51	LS56	10.88"	15.75"	4.88"	—	P01380
37245	Shock	—	—	S4	LS35	8.25"	11.69"	3.44"	—	P01137
37246	Shock	—	—	LS39	LS39	11.5"	16.88"	5.38"	—	None
37250	Shock	—	—	S4	LS44	14"	23.2"	9.2"	—	P01134
37251†	Shock	—	—	LS40	LS44	15.18"	24.19"	9.01"	—	None
37252†	Shock	—	—	LS40	LS44	14.55"	22.94"	8.39"	—	None
37253†	Shock	—	—	LS44	LS44	11.93"	17.69"	5.76"	—	None
37269	Shock	—	—	S4	LS26	12.38"	19.75"	7.38"	—	P01134
37270†	Shock	—	—	S5	LS68	14.06"	22.2"	8.14"	—	P01167
37272†	Shock	—	—	S4	LS82	12.55"	19.57"	7.02"	—	P01134
37273†	Shock	—	—	L1	LS43	13.43"	21.08"	7.65"	—	None
37274†	Shock	—	—	LS44	LS44	10.3"	14.7"	4.4"	—	None
37275	Shock	—	—	L1	LS43	12.43"	19.5"	7.07"	—	None
37276	Shock	—	—	L1	LS43	12.8"	20.25"	7.45"	—	None
37279†	Shock	—	—	S4	LS35	12.76"	20.4"	7.64"	—	P01134
37280†	Shock	—	—	S4	LS35	13.76"	22.4"	8.64"	—	P01134
37281†	Shock	—	—	LS43	LS43	12.3"	18.7"	6.4"	—	None
37282†	Shock	—	—	S5	LS40	11.98"	15.44"	3.46"	—	P01614
37283	Shock	—	—	S5	LS29	10.1"	15.1"	5"	—	P01614
37284	Shock	—	—	S5	SPEC	16.05"	26.51"	10.46"	—	P01167
37285	Shock	—	—	S1	LS26	13.74"	21.85"	8.11"	—	P01136
37286	Shock	—	—	SPEC	LS26	13.74"	21.85"	8.11"	—	None
37287	Shock	—	—	XP6	LS38	14.55"	23"	8.45"	—	None
37289	Shock	—	—	LS29	LS29	11.34"	17.03"	5.69"	—	None
37290	Shock	—	—	LS30	LS30	10.49"	15.57"	5.08"	—	None
37298†	Shock	—	—	S5	LS38	15"	24.38"	9.38"	—	P01167
37301	Shock	—	—	S5	SPEC	17.1"	27.56"	10.46"	—	P01167
37302	Shock	—	—	S4	SPEC	15.53"	26.72"	11.19"	—	P01136
37307	Shock	—	—	SPEC	LS51	12.44"	18.69"	6.25"	—	None
37308	Shock	—	—	LS38	LS51	13.69"	20.94"	7.25"	—	None
37309	Shock	—	—	LS38	LS19	13.95"	21.43"	7.48"	—	None
37310	Shock	—	—	S1	LS32	12.01"	16.66"	4.65"	—	P00906
37311	Shock	—	—	LS38	LS38	12.74"	20.13"	7.39"	—	None
37312	Shock	—	—	S2	LS96	13.58"	16.15"	2.57"	—	P00839
37313	Shock	—	—	S4	LS26	16.25"	21.46"	5.21"	—	P01620
37315	Shock	—	—	LS19	LS44	11.01"	16.03"	5.02"	—	None
37316	Shock	—	—	XP16	LS38	14.18"	22.57"	8.39"	—	None
37317	Shock	—	—	S2	LS29	13.44"	16.59"	3.14"	—	P00839
37318†	Shock	—	—	S4	LS51	15.3"	25.07"	9.77"	—	P01136
37322	Shock	—	—	LS53	LS50	11.5"	17.11"	5.61"	—	None
37323†	Shock	—	—	LS92	S5	12.25"	19.52"	7.27"	—	P01614
37324†	Shock	—	—	LS46	LS54	12.3"	18.68"	6.38"	—	None
37326†	Shock	—	—	S4	LS31	17.72"	21.81"	4.09"	—	P01136
37327†	Shock	—	—	S4	LS82	15.72"	26.48"	10.76"	—	P01136
37328†	Shock	—	—	LS84	LS29	12.87"	19.59"	6.72"	—	None
37329†	Shock	—	—	S5	CLEV	16.97"	23.13"	6.16"	—	P01637,P00590
37331†	Shock	—	—	S4	LS31	15.38"	25.72"	10.34"	—	P01136
37334†	Shock	—	—	LS28	LS27	11.64"	17.53"	5.88"	—	None
37336	Shock	—	—	S6	LS29	19.96"	22.46"	2.5"	—	P01136

† Bumper Stop Unit. Dimension Shown at Bumper Contact

‡ Hydraulic Lockout Unit. Dimension Shown is Metal-to-Metal, Subtract Approximately 5/8" (.62) from the Extended Length for Start-of-Engagement.

MOUNTING & LENGTH SPECIFICATIONS

Part No.	Part Type	STRUT BODY		END CODE		LENGTHS			Spring (Rate)	Parts Pack(s)
		Type	Length	Upper	Lower	Comp.	Ext.	Trav.		
37338†	Shock	—	—	S1	LS25	17.08"	20.93"	3.85"	—	P01620
37339†	Shock	—	—	XP15	LS20	13.33"	21.52"	8.19"	—	None
37341	Shock	—	—	S1	SPEC	14.93"	23.11"	8.18"	—	P00906
37342†	Shock	—	—	S6	LS54	14.18"	22.71"	8.53"	—	P01482
37343	Shock	—	—	S1	CLEV	14.77"	22.46"	7.7"	—	P00906
37345	Shock	—	—	LS99	LS99	11.77"	18.03"	6.26"	—	
37346	Shock	—	—	LS97	S2	15.92"	22.12"	6.2"	—	BE17110669
37347	Shock	—	—	LS97	S2	15.92"	22.12"	6.2"	—	BE17110669
37348†	Shock	—	—	S1	LS46	10"	14.45"	4.45"	—	BE17110126
37349†	Shock	—	—	LS27	LS27	13.34"	20.94"	7.8"	—	None
37350†	Shock	—	—	S1	LS43	13.66"	20.19"	6.59"	—	P01743
37351†	Shock	—	—	LS92	LS92	14.97"	22.56"	7.59"	—	None
37352†	Shock	—	—	S4	LS29	20.34"	23.83"	3.48"	—	P01136
37355	Shock	—	—	LS27	LS27	14.33"	22.9"	8.57"	—	None
37356	Shock	—	—	S7	LS27	19.17"	28.78"	9.61"	—	None
37357†	Shock	—	—	S2	LS29	12.09"	15.14"	3.04"	—	P00839
37358†	Shock	—	—	S15	LS43	19"	25.93"	6.93"	—	P01505
37359†	Shock	—	—	LS40	LS40	14.06"	22.09"	8.03"	—	None
37361†	Shock	—	—	LS78	LS31	12.61"	18.87"	6.26"	—	None
37362†	Shock	—	—	LS96	LS40	14.42"	22.69"	8.27"	—	None
37363	Shock	—	—	S2	LS96	12.22"	17.4"	5.18"	—	P00839
37365†	Shock	—	—	S2	LS91	16.62"	19.69"	3.07"	—	P00839
37372	Shock	—	—	S4	LS23	9.59"	14.37"	4.78"	—	P01780
37373	Shock	—	—	L1	L3	13.51"	21.83"	8.32"	—	P00120
37376	Shock	—	—	S2	LS91	15.01"	19.58"	4.57"	—	P00839
37378	Shock	—	—	S1	XP7	14.84"	22.08"	7.24"	—	P01431
39001	Shock	—	—	S1	LS6	15.13"	20"	4.88"	—	BE17110326
39002	Shock	—	—	S1	SPEC	13.63"	18.38"	4.75"	—	P00341NC
39003	Shock	—	—	LS49	LS49	9.38"	13.25"	3.88"	—	None
39004†	Shock	—	—	S1	LS12	11.88"	18.25"	6.38"	—	P00046NC
39005†	Shock	—	—	S1	SPEC	14.75"	17.25"	2.5"	—	P00990BE
39006	Shock	—	—	S1	XP11	11.25"	17.5"	6.25"	—	P00341NC
39013	Shock	—	—	S1	LS6	17.13"	20.88"	3.75"	—	BE17110322
39014	Shock	—	—	S1	LS6	15.38"	19.75"	4.38"	—	BE17110326
39016†	Shock	—	—	S1	SPEC	14.5"	17.25"	2.75"	—	BE17110450
39020†	Shock	—	—	S1	LS6	19"	19.88"	0.88"	—	BE17110326
39021†	Shock	—	—	S1	LS6	18.5"	18.88"	0.38"	—	BE17110326
39027†	Shock	—	—	SPEC	LS31	17.13"	19.75"	2.63"	—	None
39028	Shock	—	—	S1	SPEC	9.88"	14"	4.13"	—	BE17110453
39030	Shock	—	—	S1	SPEC	14"	19.13"	5.13"	—	P00609NC
39033	Shock	—	—	S1	LS6	15.13"	20"	4.88"	—	None
39040	Shock	—	—	S2	LS34	11.13"	17"	5.88"	—	BE17110559
39042	Shock	—	—	S1	LS6	17.63"	18.88"	1.25"	—	BE17110322
39044	Shock	—	—	S1	LS6	17.75"	18.88"	1.13"	—	BE17110322
39045	Shock	—	—	S1	LS6	16.5"	18.25"	1.75"	—	BE17110322
39047	Shock	—	—	S1	LS6	18.88"	22.5"	3.63"	—	BE17110326
39050	Shock	—	—	S1	LS6	18.38"	22.5"	4.13"	—	BE17110326
39051	Shock	—	—	S2	SPEC	14.75"	18.63"	3.88"	—	BE17110669
39052	Shock	—	—	LS41	LS42	11.02"	15.55"	4.53"	—	None
39101†	Shock	—	—	SPEC	LS30	19"	20.5"	1.5"	—	None
39102	Shock	—	—	S1	LS10	15"	24"	9"	—	BE17110495
39104	Shock	—	—	S1	SPEC	14.51"	18.06"	3.55"	—	P1415
39105	Shock	—	—	S1	SPEC	14.51"	18.06"	3.55"	—	P1415
39106	Shock	—	—	S1	SPEC	14.51"	18.05"	3.54"	—	P1415
39107	Shock	—	—	S1	LS38	17.13"	25.51"	8.38"	—	BE17110410
39108	Shock	—	—	S15	LS8	19.02"	23.19"	4.17"	—	BE17110326
39109	Shock	—	—	S15	LS8	18.5"	20.71"	2.21"	—	BE17110326
39110	Shock	—	—	S1	SPEC	18.98"	24.06"	5.08"	—	BE17110814
39111	Shock	—	—	S7	LS25	16.65"	24.98"	8.33"	—	P01682
39112	Shock	—	—	S1	XP16	13.9"	17.13"	3.25"	—	
39113	Shock	—	—	S1	XP15	16.95"	22.15"	5.2"	—	P01716

† Bumper Stop Unit. Dimension Shown at Bumper Contact

‡ Hydraulic Lockout Unit. Dimension Shown is Metal-to-Metal, Subtract Approximately 5/8" (.62) from the Extended Length for Start-of-Engagement.

MOUNTING & LENGTH SPECIFICATIONS

Part No.	Part Type	STRUT BODY		END CODE		LENGTHS			Spring (Rate)	Parts Pack(s)
		Type	Length	Upper	Lower	Comp.	Ext.	Trav.		
39114	Shock	—	—	S1	CLEV	15.31"	21.86"	6.55"	—	P01718,P00590
39129	Shock	—	—	S7	LS25	20.23"	28.27"	8.04"	—	P01682
39130	Shock	—	—	S1	LS30	16.06"	23.23"	7.17"	—	P00522
39131	Shock	—	—	S2	LS43	17.34"	20.79"	3.45"	—	None
39132	Shock	—	—	S2	LS43	17.34"	20.79"	3.45"	—	None
39133	Shock	—	—	S2	LS45	16.96"	21.93"	5.33"	—	None
39134†	Strut	B3	15.76"	—	—	16.13"	20.56"	4.43"	—	None
39135†	Strut	B3	17.16"	—	—	17.16"	22.15"	4.99"	—	None
39136	Shock	—	—	S1	XP15	17.21"	22.6"	5.39"	—	P01716
39137	Shock	—	—	S2	L5	10.59"	15.98"	5.39"	—	P01741
39138	Strut	B9	15.29"	—	—	15.79"	23.46"	7.67"	—	None
39139	Strut	B9	15.29"	—	—	15.79"	23.46"	7.67"	—	None
39140	Strut	SS2	13.39"	—	—	13.89"	17.12"	3.23"	—	P01415
40004	Shock	—	—	S4	LS38	13.63"	18"	4.38"	—	P01136
40005	Shock	—	—	S4	XP7	13.5"	18"	4.5"	—	P01135,P00941
40006	Shock	—	—	XP7	LS26	15"	24"	9"	—	P00941
40007	Shock	—	—	XP7	LS26	15"	24"	9"	—	P00941
40034	Shock	—	—	LS43	LS43	15.25"	22.75"	7.5"	—	None
40035	Shock	—	—	S1	LS42	10.88"	15.38"	4.5"	—	None
40036	Shock	—	—	LS43	LS43	15.63"	23.88"	8.25"	—	None
40038	Shock	—	—	S1	SPEC	11"	15.38"	4.38"	—	None
40039	Shock	—	—	LS43	LS43	15.63"	23.88"	8.25"	—	None
40040	Shock	—	—	LS43	LS43	16.88"	25.63"	8.75"	—	None
40044	Shock	—	—	S1	SPEC	11"	15.38"	4.38"	—	None
40046	Shock	—	—	S6	SPEC	13.33"	18.65"	5.32"	—	P01482
40047	Strut	B4	12.25"	S2	XP16	12.75"	17.16"	4.41"	—	None
40048	Strut	B4	12.25"	S2	XP15	12.75"	17.16"	4.41"	—	None
40049	Strut	B4	12.25"	S2	XP15	12.75"	17.16"	4.41"	—	None
40050	Shock	—	—	LS74	LS74	15.38"	22.75"	7.37"	—	None
40051	Shock	—	—	LS74	LS74	15.38"	22.75"	7.37"	—	None
40052	Shock	—	—	LS74	LS74	15.38"	22.75"	7.37"	—	None
40055	Shock	—	—	S1	CLEV	15"	21.88"	6.88"	—	P01431
40056	Shock	—	—	S1	CLEV	15"	21.88"	6.88"	—	P01431
40201	Shock	—	—	LS77	LS77	11.63"	17.88"	6.25"	—	None
40202	Shock	—	—	LS28	LS28	11.63"	17.88"	6.25"	—	None
40209	Shock	—	—	LS43	LS43	14.88"	22.88"	8"	—	None
40210	Shock	—	—	LS43	LS43	14.88"	22.88"	8"	—	None
40211	Shock	—	—	S1	SPEC	18.25"	24.38"	6.13"	—	None
40212	Shock	—	—	S1	LS72	17.71"	24.48"	6.77"	—	None
55609†	Shock	—	—	S4	LS27	18.3"	22.05"	3.75"	—	P01744
55637†	Shock	—	—	S15	SPEC	16.54"	20.95"	4.41"	—	P01488
55778†	Shock	—	—	S4	LS92	11.45"	17.77"	6.32"	—	P01417
55779	Shock	—	—	LS30	LS92	10.49"	16.04"	5.55"	—	None
55780	Shock	—	—	LS30	LS92	11.37"	17.67"	6.3"	—	None
55783†	Shock	—	—	S4	LS32	12.46"	20.03"	7.57"	—	P01136
55801	Shock	—	—	S4	XP7	9.25"	14.5"	5.25"	—	P01134
55802	Shock	—	—	XP4	L1/CP3	12.69"	20.76"	8.07"	—	P00576
55803	Shock	—	—	S4	L1/CP1	12.63"	21.25"	8.63"	—	P00576,P01134
55804	Shock	—	—	S4	XP4	8.63"	13.38"	4.75"	—	P01134
55809†	Shock	—	—	S4	SP	9.13"	13.63"	4.5"	—	P00423,P01136
55815	Shock	—	—	S4	LS19	8.68"	13.37"	4.69"	—	P01134
55818	Shock	—	—	S4	L1/CP3	11.63"	19.38"	7.75"	—	P00576,P01134
55820	Shock	—	—	XP7	L1/CP1	14.13"	23.88"	9.75"	—	P00576
55829	Shock	—	—	S4	S4	7.13"	10.63"	3.5"	—	P01135
55831	Shock	—	—	XP7	S4	12.25"	20.38"	8.13"	—	P01137
55837	Shock	—	—	LS28	S4	11.25"	18.5"	7.25"	—	P1134
55840	Shock	—	—	S4	XP4	8.75"	13.25"	4.5"	—	P01134
55843†	Shock	—	—	LS48	LS47	10.25"	12.75"	2.5"	—	None
55845†	Shock	—	—	S4	LS26	12.13"	19.75"	7.63"	—	P01136
55847	Shock	—	—	S4	L1/CP1	12.25"	20.38"	8.13"	—	P00576,P01136
55854†	Shock	—	—	S4	L1	12.13"	20"	7.88"	—	P01134

† Bumper Stop Unit. Dimension Shown at Bumper Contact

‡ Hydraulic Lockout Unit. Dimension Shown is Metal-to-Metal, Subtract Approximately 5/8" (.62) from the Extended Length for Start-of-Engagement.

MOUNTING & LENGTH SPECIFICATIONS

Part No.	Part Type	STRUT BODY		END CODE		LENGTHS			Spring (Rate)	Parts Pack(s)
		Type	Length	Upper	Lower	Comp.	Ext.	Trav.		
55861†	Shock	—	—	S4	LS26	14.13"	23.63"	9.5"	—	P1136
55864†	Shock	—	—	LS7	LS7	13.38"	21.5"	8.13"	—	None
55867†	Shock	—	—	S4	L1/CP1	11.63"	18.75"	7.13"	—	P01134,P00576
55868†	Shock	—	—	LS26	LS30	12.25"	17.38"	5.13"	—	None
55892†	Shock	—	—	S4	XP7	10.5"	13.88"	3.38"	—	P1134
55893	Shock	—	—	LS29	LS52	9.5"	14.38"	4.88"	—	None
55897†	Shock	—	—	S4	LS7	16.13"	21.25"	5.13"	—	P01134
55906	Shock	—	—	S4	XP7	9.25"	14.63"	5.38"	—	P01134
55921†	Shock	—	—	XP7	LS4	8.75"	12.38"	3.63"	—	None
55928	Shock	—	—	S4	LS83	14.38"	24"	9.63"	—	P01134
55930†	Shock	—	—	LS32	LS32	11.88"	18.38"	6.5"	—	None
55931	Shock	—	—	XP7	LS14	12.88"	21.38"	8.5"	—	P436
55936	Shock	—	—	S4	XP7	12.13"	20.38"	8.25"	—	P01136 & P00941
55947†	Shock	—	—	S4	LS27	14.5"	21.75"	7.25"	—	P1180
55948†	Shock	—	—	LS7	LS7	14"	22.75"	8.75"	—	None
55950†	Shock	—	—	S4	LS92	11.88"	19.13"	7.25"	—	P1136
55960†	Shock	—	—	S4	XP4	9.13"	13.75"	4.63"	—	P01136
55961†	Shock	—	—	S4	L1/CP1	12.13"	19.5"	7.38"	—	P01136,P00576
55965†	Shock	—	—	S4	LS92	14.5"	19.13"	4.63"	—	P01136
55966†	Shock	—	—	XP7	L1/CP1	13.13"	21.25"	8.13"	—	P00941,P00576
55967†	Shock	—	—	S4	L1/CP1	12.13"	19.5"	7.38"	—	P01136,P00576
55968†	Shock	—	—	S4	LS26	14.5"	19.13"	4.63"	—	P01136
55969†	Shock	—	—	S4	XP7	9.13"	13.75"	4.63"	—	P01136
55970†	Shock	—	—	S4	SPEC	11.38"	18.63"	7.25"	—	P01180,P01181
55971	Shock	—	—	S4	SPEC	15"	21"	6"	—	P01136,P01401
55972†	Shock	—	—	S4	LS2	13.88"	19"	5.13"	—	P1137
55984	Shock	—	—	S1	LS7	16.46"	25.79"	9.33"	—	None
55985	Shock	—	—	S4	LS38	15.72"	24.68"	8.96"	—	P01134
55989†	Shock	—	—	LS84	LS26	11.55"	18.44"	6.89"	—	None
55993†	Shock	—	—	S4	LS34	12.45"	20.15"	7.7"	—	P01136
56000†	Shock	—	—	S4	S4	10.75"	17.25"	6.5"	—	P01134,P01137
56001†	Shock	—	—	XP7	SP	9.5"	14.25"	4.75"	—	P00423
56002	Shock	—	—	S4	LS12	9.88"	15.75"	5.88"	—	P01134
56003†	Shock	—	—	S4	LS20	8.38"	11"	2.63"	—	P01135
58241†	Shock	—	—	L1/CP3	LS36	9.75"	14.38"	4.63"	45	P00019
58263†	Shock	—	—	S4	XP4	9.13"	13.75"	4.63"	45	P01134
58270†	Shock	—	—	S4	XP4	8.75"	13"	4.25"	45	P01134
58273†	Shock	—	—	S4	XP4	8.75"	13"	4.25"	45	P01134
58275†	Shock	—	—	S4	LS38	9.25"	14"	4.75"	45	P01135
58411†	Shock	—	—	XP7	L1/CP3	12.5"	20"	7.5"	28	P00576
58427	Shock	—	—	S4	LS7	14.25"	21.5"	7.25"	25	P01278
58484	Shock	—	—	L2	L2	14.13"	23.13"	9"	60	None
58496	Shock	—	—	L2	L2	13"	21.25"	8.25"	V/R	P00076
58510	Shock	—	—	S4	L1/CP3	12.75"	21.38"	8.63"	V/R	P00577,P01134
58518	Shock	—	—	S4	LS38	12.13"	19.63"	7.5"	60	P01134
58523†	Shock	—	—	XP7	LS47	14.5"	22.75"	8.25"	V/R	None
58527	Shock	—	—	LS37	LS37	11.63"	19"	7.38"	60	None
58539	Shock	—	—	S4	S4	10.63"	17.88"	7.25"	V/R	P01134
58551	Shock	—	—	XP7	S4	12.13"	20.38"	8.25"	V/R	P01137
58552	Shock	—	—	LS41	LS37	11.13"	18"	6.88"	V/R	None
58567	Shock	—	—	L1	L1	12.5"	20.38"	7.88"	60	P00573
58568†	Shock	—	—	S4	L1/CP3	12.38"	19.88"	7.5"	V/R	P01136,P00576
58571†	Shock	—	—	LS39	L2	15.5"	25"	9.5"	60	None
58574†	Shock	—	—	XP7	L1/CP3	13.38"	21.25"	7.88"	V/R	P00576,P00941
58575	Shock	—	—	LS37	LS37	9.38"	14.5"	5.13"	60	None
58577	Shock	—	—	LS39	L2	13.75"	22.5"	8.75"	V/R	None
58578	Shock	—	—	L1/CP5	LS47	14"	22.88"	8.88"	60	P00019
58591	Shock	—	—	L1	LS26	14.88"	24.75"	9.88"	60	None
58594†	Shock	—	—	XP12	L1	12.75"	20"	7.25"	V/R	None
58595	Shock	—	—	LS39	LS39	13"	20.88"	7.88"	60	P00185
58598†	Shock	—	—	LS74	LS74	14.63"	22.13"	7.5"	V/R	None

† Bumper Stop Unit. Dimension Shown at Bumper Contact

‡ Hydraulic Lockout Unit. Dimension Shown is Metal-to-Metal, Subtract Approximately 5/8" (.62) from the Extended Length for Start-of-Engagement.

MOUNTING & LENGTH SPECIFICATIONS

Part No.	Part Type	STRUT BODY		END CODE		LENGTHS			Spring (Rate)	Parts Pack(s)
		Type	Length	Upper	Lower	Comp.	Ext.	Trav.		
58600†	Shock	—	—	XP7	LS47	16.13"	26.75"	10.63"	60	None
58601	Shock	—	—	L1	LS26	14.25"	23"	8.75"	60	None
58604	Shock	—	—	L1	LS26	15.75"	26.38"	10.63"	60	None
58605†	Shock	—	—	S4	LS26	12.38"	19.75"	7.38"	60	P01135
58606†	Shock	—	—	XP7	LS47	14"	22.38"	8.38"	60	None
58608	Shock	—	—	L1	LS26	14.25"	23"	8.75"	V/R	P00827
58610	Shock	—	—	LS47	LS47	15.25"	24.63"	9.38"	60	None
58612†	Shock	—	—	XP7	LS47	14.63"	23.75"	9.13"	60	None
58615	Shock	—	—	LS47	LS47	15.25"	24.63"	9.38"	60	None
58617†	Shock	—	—	XP7	LS26	15.5"	25.13"	9.63"	37	P00941
58618	Shock	—	—	L1	LS26	15.75"	26.13"	10.38"	37	P00827
58620†	Shock	—	—	LS28	LS28	11.25"	17"	5.75"	45	None
58624†	Shock	—	—	LS27	LS26	10.63"	15.75"	5.13"	45	None
58625	Shock	—	—	S4	LS26	13.38"	22.13"	8.75"	60	P01135
58628	Shock	—	—	S4	LS26	14.25"	23.88"	9.63"	60	P01135
58629†	Shock	—	—	S5	LS26	16"	26.38"	10.38"	37	P01167
58630†	Shock	—	—	LS28	LS28	14.5"	22.75"	8.25"	37	None
58633†	Shock	—	—	LS26	LS26	14.25"	23"	8.75"	60	None
58636†	Shock	—	—	LS47	LS47	15.5"	23.88"	8.38"	60	None
58637†	Shock	—	—	LS47	LS47	16.88"	25.75"	8.88"	60	None
58638	Shock	—	—	LS47	LS47	16"	25.88"	9.88"	60	None
58639	Shock	—	—	LS47	LS47	15"	23.63"	8.63"	60	None
58640	Shock	—	—	LS47	LS47	15.75"	26.5"	10.75"	60	None
58642	Shock	—	—	LS38	LS38	15.34"	25.17"	9.83"	60	None
58643	Shock	—	—	LS38	LS38	16.59"	27.55"	10.96"	60	None
58644	Shock	—	—	LS40	LS41	14.73"	23.82"	9.09"	60	None
58645	Shock	—	—	LS38	LS38	11.36"	17.32"	5.96"	45	None
58646	Shock	—	—	LS30	LS38	15.16"	24.87"	9.71"	37	None
58647	Shock	—	—	LS29	LS25	13.74"	22.45"	8.71"	60	None
58648	Shock	—	—	LS28	LS28	10.49"	15.57"	5.08"	45	None
58649	Shock	—	—	LS28	LS28	15.24"	25.2"	9.96"	37	None
58650	Shock	—	—	LS74	LS74	14.73"	24.07"	9.34"	37	None
58651	Shock	—	—	LS30	LS28	15.3"	24.38"	9.08"	V/R	None
58653†	Shock	—	—	LS27	LS27	18.94"	28.14"	9.2"	60	None
58654	Shock	—	—	LS43	LS43	15.54"	24.83"	9.29"	—	None
58655†	Shock	—	—	L4	L4	12.9"	20.05"	7.14"	—	None
58656	Shock	—	—	LS75	LS91	15.93"	25.94"	10.01"	—	None
58657†	Shock	—	—	LS27	LS27	14.52"	20.18"	5.44"	—	—
58658†	Shock	—	—	LS70	LS70	13.64"	18.34"	4.48"	—	—
59001	Shock	—	—	L1	L1	12"	19.5"	7.5"	—	P00411
59002	Shock	—	—	S4	L1	9.63"	15.38"	5.75"	—	P01134
59003	Shock	—	—	L1	L1	13.38"	23.13"	9.75"	—	P00829
59004	Shock	—	—	L2	L2	14.13"	23.38"	9.25"	—	None
59005	Shock	—	—	L1	S4	11.88"	19.38"	7.5"	—	P01137
59006†	Shock	—	—	S4	LS25	10.62"	16.48"	5.86"	—	P01135
59007	Shock	—	—	S4	LS26	12.38"	19.75"	7.38"	—	P01134
59008	Shock	—	—	S4	LS23	8.88"	13.75"	4.88"	—	P01134
59009	Shock	—	—	S4	XP7	8.63"	13.25"	4.63"	—	P01135
59011	Shock	—	—	L1	LS26	12.84"	20.38"	7.54"	—	P57
59012	Shock	—	—	XP7	LS92	14.5"	24"	9.5"	—	None
59013†	Shock	—	—	LS39	LS39	11.5"	16.5"	5"	—	None
59014†	Shock	—	—	S4	XP7	12.5"	19.88"	7.38"	—	P01136
59015	Shock	—	—	XP7	L1	12.38"	20.38"	8"	—	None
59016	Shock	—	—	S4	LS23	8.38"	12.5"	4.13"	—	P01137
59017	Shock	—	—	L1	L1	11.25"	17.88"	6.63"	—	P00411
59018	Shock	—	—	LS39	L2	15.63"	26.25"	10.63"	—	None
59021†	Shock	—	—	L1	LS26	11.75"	18"	6.25"	—	None
59022	Shock	—	—	LS74	LS74	13.88"	22.88"	9"	—	None
59023	Shock	—	—	S4	XP7	8.63"	13"	4.38"	—	P01135
59024	Shock	—	—	XP7	LS28	13.75"	22.75"	9"	—	None
59025	Shock	—	—	S4	LS23	9.25"	14.38"	5.13"	—	P01134

† Bumper Stop Unit. Dimension Shown at Bumper Contact

‡ Hydraulic Lockout Unit. Dimension Shown is Metal-to-Metal, Subtract Approximately 5/8" (.62) from the Extended Length for Start-of-Engagement.

MOUNTING & LENGTH SPECIFICATIONS

Part No.	Part Type	STRUT BODY		END CODE		LENGTHS			Spring (Rate)	Parts Pack(s)
		Type	Length	Upper	Lower	Comp.	Ext.	Trav.		
59026†	Shock	—	—	S4	LS38	14.4"	23.87"	9.47"	—	P01135
59027	Shock	—	—	L1	LS26	11.63"	18.25"	6.63"	—	None
59028	Shock	—	—	S4	XP7	9.5"	14"	4.5"	—	P1134
59029†	Shock	—	—	XP7	LS92	16.34"	26.75"	10.41"	—	None
59030†	Shock	—	—	S4	LS26	10.5"	15.88"	5.38"	—	P01135
59031†	Shock	—	—	S4	LS26	9.63"	14.75"	5.13"	—	P01135
59032	Shock	—	—	L1	LS26	12.88"	21.38"	8.5"	—	P570
59033†	Shock	—	—	LS28	LS26	11.88"	18.13"	6.25"	—	None
59034	Shock	—	—	L1	LS26	13.38"	22.88"	9.5"	—	None
59036†	Shock	—	—	S4	L1	9.25"	14"	4.75"	—	P01135
59037	Shock	—	—	L1	LS26	13.88"	22.88"	9"	—	P00827
59038	Shock	—	—	L1	LS26	15.34"	26.41"	11.07"	—	P00827
59039	Shock	—	—	L1	LS26	14.97"	24.63"	9.66"	—	None
59040†	Shock	—	—	S4	LS26	9.25"	14"	4.75"	—	P01135
59041	Shock	—	—	L1	LS26	10.13"	14.63"	4.5"	—	P00019
59042	Shock	—	—	LS24	LS24	11.88"	18.25"	6.38"	—	P00816
59043	Shock	—	—	LS37	LS37	9.93"	14.63"	4.7"	—	None
59044	Shock	—	—	LS24	LS24	14.13"	22.88"	8.75"	—	P00019
59045	Shock	—	—	LS29	LS29	12.88"	21"	8.13"	—	None
59047	Shock	—	—	S4	LS26	13.88"	23.75"	9.88"	—	P01135
59048†	Shock	—	—	S4	LS39	10.04"	14.26"	4.22"	—	P1136
59049	Shock	—	—	S4	LS26	15.63"	27.25"	11.63"	—	P1136
59061†	Shock	—	—	S4	XP7	10.38"	14.38"	4"	—	P01135
59062†	Shock	—	—	LS92	LS92	15.55"	23.81"	8.26"	—	None
59086	Shock	—	—	S4	XP7	9.25"	14.5"	5.25"	—	P01134
59087	Shock	—	—	S4	SPEC	8.68"	13.37"	4.69"	—	P01134
59088	Shock	—	—	XP7	LS26	15"	25.25"	10.25"	—	P00941
59089	Shock	—	—	S4	XP7	8.63"	13.38"	4.75"	—	P01134
59090†	Shock	—	—	LS77	LS28	11.34"	16.44"	5.1"	—	None
59091†	Shock	—	—	L3	L3	13.63"	21.63"	8"	—	P00575
59092	Shock	—	—	S4	LS50	8.75"	13.5"	4.75"	—	P01134
59301	Shock	—	—	S4	SPEC	8.68"	13.37"	4.69"	—	P01134
59302†	Shock	—	—	LS39	LS39	11.5"	16.5"	5"	—	None
59303	Shock	—	—	XP7	LS92	14.5"	24"	9.5"	—	None
59304†	Shock	—	—	L1	L1	12.97"	20.93"	7.96"	—	None
59305	Shock	—	—	S4	XP7	9.25"	14.5"	5.25"	—	P01134
59306	Shock	—	—	L1	L1	13.38"	23.13"	9.75"	—	P00829
59307	Shock	—	—	S4	LS23	9.25"	14.38"	5.13"	—	P01134
59308†	Shock	—	—	S4	LS26	9.25"	14"	4.75"	—	P01135
59309†	Shock	—	—	S4	L1	9.25"	14"	4.75"	—	P01135
59311†	Shock	—	—	S4	L1	10.04"	15.5"	5.46"	—	P1135
59312	Shock	—	—	L1	LS26	13.88"	22.88"	9"	—	P00827
59313	Shock	—	—	L1	LS26	15.34"	26.41"	11.07"	—	P00827
59314†	Shock	—	—	S4	LS27	9.13"	13.75"	4.63"	—	P1134
59316	Shock	—	—	S4	LS23	8.38"	12.5"	4.13"	—	P01137
59317	Shock	—	—	L1	S4	11.88"	19.38"	7.5"	—	P01137
59318	Shock	—	—	S4	LS50	8.75"	13.5"	4.75"	—	P01134
59319	Shock	—	—	S4	LS23	10.25"	16.38"	6.13"	—	P1134
59320†	Shock	—	—	L3	L3	13.63"	21.63"	8"	—	P00575
59321	Shock	—	—	S4	LS23	8.88"	13.75"	4.88"	—	P01134
59322†	Shock	—	—	S4	XP7	12.5"	19.88"	7.38"	—	P01136
59323	Shock	—	—	XP7	L1	12.38"	20.38"	8"	—	None
59324	Shock	—	—	S4	L1/CP1	12.63"	21.25"	8.63"	—	P00576,P01134
59325†	Shock	—	—	S4	L3	12.88"	20.88"	8"	—	P01134,P00081
59326	Shock	—	—	S4	LS23	9.38"	14.63"	5.25"	—	P01134
59327	Shock	—	—	S4	XP7	8.63"	13"	4.38"	—	P01135
59328	Shock	—	—	XP7	LS28	13.75"	22.75"	9"	—	None
59329	Shock	—	—	S4	LS38	9.63"	14.88"	5.25"	—	P01135
59330	Shock	—	—	XP7	LS28	15.5"	25.88"	10.38"	—	None
59331†	Shock	—	—	S4	XP7	13"	21.13"	8.13"	—	P01136
59332	Shock	—	—	XP7	LS26	15"	25.25"	10.25"	—	P00941

† Bumper Stop Unit. Dimension Shown at Bumper Contact

‡ Hydraulic Lockout Unit. Dimension Shown is Metal-to-Metal, Subtract Approximately 5/8" (.62) from the Extended Length for Start-of-Engagement.

MOUNTING & LENGTH SPECIFICATIONS

Part No.	Part Type	STRUT BODY		END CODE		LENGTHS			Spring (Rate)	Parts Pack(s)
		Type	Length	Upper	Lower	Comp.	Ext.	Trav.		
59333†	Shock	—	—	S4	LS26	11.5"	18.25"	6.75"	—	P01134
59336†	Shock	—	—	LS28	LS28	11.75"	18"	6.25"	—	None
59337†	Shock	—	—	LS77	LS28	11"	16.38"	5.38"	—	None
59338	Shock	—	—	LS74	LS74	13.88"	22.88"	9"	—	None
59339†	Shock	—	—	S4	XP7	9.75"	15.13"	5.38"	—	P1135
59340	Shock	—	—	S4	SPEC	8.68"	13.37"	4.69"	—	P01134
59341†	Shock	—	—	L1	LS26	11.75"	18"	6.25"	—	None
59342†	Shock	—	—	S4	LS7	16"	20.75"	4.75"	—	P01278
59343†	Shock	—	—	LS30	L1	9.88"	14.75"	4.88"	—	None
59347	Shock	—	—	S4	S4	12.25"	20.75"	8.5"	—	P01137
59348	Shock	—	—	S4	XP7	8.63"	13.38"	4.75"	—	P01134
59349†	Shock	—	—	L1	L1	12.97"	20.93"	7.96"	—	None
59350†	Shock	—	—	L3	LS43	13.38"	21.25"	7.88"	—	P867
59352†	Shock	—	—	S4	LS38	14.4"	23.87"	9.47"	—	P01135
59353	Shock	—	—	L1	LS26	11.63"	18.25"	6.63"	—	None
59356†	Shock	—	—	L1	LS25	13.38"	21.5"	8.13"	—	None
59357	Shock	—	—	L1	LS50	12"	19.63"	7.63"	—	None
59358	Shock	—	—	L1	L1	15.13"	25"	9.88"	—	None
59359†	Shock	—	—	LS28	LS28	11.25"	17.13"	5.88"	—	None
59360	Shock	—	—	S4	LS23	10.25"	15.38"	5.13"	—	P01134
59361†	Shock	—	—	LS78	L3	12.63"	19.75"	7.13"	—	P00120
59362	Shock	—	—	S4	LS24	9.13"	13.63"	4.5"	—	P01134
59363†	Shock	—	—	S4	LS50	11.75"	18.13"	6.38"	—	P01134
59364†	Shock	—	—	LS27	LS26	10.5"	15.75"	5.25"	—	None
59366	Shock	—	—	S4	XP7	9.38"	14.5"	5.13"	—	P01134
59367†	Shock	—	—	L1	L1	11.97"	19.66"	7.69"	—	None
59368†	Shock	—	—	L3	L3	12.88"	20.38"	7.5"	—	P00575
59369†	Shock	—	—	L3	L3	12.5"	19.63"	7.13"	—	P00575
59370†	Shock	—	—	S4	LS22	13"	21.5"	8.5"	—	P01134
59371†	Shock	—	—	S4	XP7	13.5"	17.88"	4.38"	—	P01135,P00941
59372	Shock	—	—	S4	XP7	8.38"	12.75"	4.38"	—	P01134
59373†	Shock	—	—	LS28	LS26	11.88"	18.13"	6.25"	—	None
59374†	Shock	—	—	XP7	LS24	12.5"	19.63"	7.13"	—	None
59375	Shock	—	—	S4	XP7	8.5"	13"	4.5"	—	P01135
59376†	Shock	—	—	LS28	LS28	14.47"	22.81"	8.34"	—	None
59378†	Shock	—	—	LS28	LS28	15.25"	24.63"	9.38"	—	None
59379†	Shock	—	—	S4	XP7	10.38"	13.63"	3.25"	—	P01135
59381†	Shock	—	—	LS26	LS26	12.5"	20.13"	7.63"	—	None
59382†	Shock	—	—	S4	L3	12.38"	20"	7.63"	—	P01134,P00081
59383†	Shock	—	—	LS52	LS30	14.38"	23.13"	8.75"	—	None
59385†	Shock	—	—	S4	LS78	11.63"	18.63"	7"	—	P01134
59386†	Shock	—	—	S4	XP7	13"	21.13"	8.13"	—	P01136,P00941
59387†	Shock	—	—	LS29	LS25	13.38"	21.75"	8.38"	—	None
59394	Shock	—	—	S4	LS23	8.75"	13.38"	4.63"	—	P01134
59395†	Shock	—	—	L1	LS50	13.38"	20.75"	7.38"	—	None
59398	Shock	—	—	SPEC	LS23	11.07"	16.38"	5.31"	—	None
59399	Shock	—	—	LS30	LS28	15.25"	24.32"	9.07"	—	None
59400	Shock	—	—	LS30	LS39	15.19"	24.88"	9.69"	—	None
59401	Shock	—	—	LS27	LS27	11.47"	17.41"	5.94"	—	None
59402	Shock	—	—	S4	L1	13.03"	21.85"	8.82"	—	P01137
59404†	Shock	—	—	S4	XP7	11.5"	17.88"	6.38"	—	P01135,P00941
59407	Shock	—	—	S4	LS21	10"	14.5"	4.5"	—	P01134
59408†	Shock	—	—	XP5	LS92	14.31"	22.96"	8.65"	—	None
59409†	Shock	—	—	S4	LS23	8"	11.91"	3.88"	—	P01137
59410	Shock	—	—	L1	L1	14"	22.5"	8.5"	—	None
59411	Shock	—	—	S4	LS23	8.25"	11.69"	3.44"	—	P01137
59412†	Shock	—	—	LS40	LS77	14.45"	23.1"	8.65"	—	None
59413†	Shock	—	—	S4	LS82	15.21"	25.1"	9.89"	—	P01137
59414†	Shock	—	—	LS28	LS28	10.4"	14.91"	4.51"	—	None
59415†	Shock	—	—	LS30	LS28	13.82"	21.84"	8.02"	—	None
59416†	Shock	—	—	LS38	LS38	11.26"	16.78"	5.52"	—	None

† Bumper Stop Unit. Dimension Shown at Bumper Contact

‡ Hydraulic Lockout Unit. Dimension Shown is Metal-to-Metal, Subtract Approximately 5/8" (.62) from the Extended Length for Start-of-Engagement.

MOUNTING & LENGTH SPECIFICATIONS

Part No.	Part Type	STRUT BODY		END CODE		LENGTHS			Spring (Rate)	Parts Pack(s)
		Type	Length	Upper	Lower	Comp.	Ext.	Trav.		
59417†	Shock	—	—	SPEC	LS44	10.28"	15.96"	5.68"	—	None
59418†	Shock	—	—	XP16	LS38	14.01"	22.53"	8.52"	—	None
59501†	Shock	—	—	S5	XP5	10.25"	14.88"	4.63"	—	P01167
59502	Shock	—	—	S4	LS26	14.38"	24.25"	9.88"	—	P01135
59503‡	Shock	—	—	S4	LS39	10"	14.25"	4.25"	—	P01136
59504	Shock	—	—	S4	LS26	16"	27.5"	11.5"	—	P01136
59505†	Shock	—	—	S4	LS26	10"	14.63"	4.63"	—	P01135
59506	Shock	—	—	S4	LS26	10.5"	15.88"	5.38"	—	P01135
59507	Shock	—	—	L1	LS26	12.75"	20.5"	7.75"	—	None
59508†	Shock	—	—	LS26	LS26	14"	22.5"	8.5"	—	None
59509	Shock	—	—	LS26	L1	16.38"	27.25"	10.88"	—	None
59510	Shock	—	—	L1/CP1	LS36	10.38"	16"	5.63"	—	P00019
59511†	Shock	—	—	S4	XP5	9.63"	14"	4.38"	—	P01134
59512	Shock	—	—	S4	XP8	8.88"	13.38"	4.5"	—	P01135
59513†	Shock	—	—	LS48	LS54	14.5"	22.75"	8.25"	—	None
59514†	Shock	—	—	XP5	LS47	14"	22.75"	8.75"	—	None
59515†	Shock	—	—	S4	LS26	12.5"	19.88"	7.38"	—	P01135
59516†	Shock	—	—	S4	L1	9.88"	14.63"	4.75"	—	P01135
59517	Shock	—	—	S4	LS26	13.13"	21.75"	8.63"	—	P01135
59518†	Shock	—	—	XP7	LS47	13.88"	22.5"	8.63"	—	None
59519†	Shock	—	—	XP7	LS47	14.63"	23.88"	9.25"	—	None
59520†	Shock	—	—	XP7	LS47	15.25"	25.25"	10"	—	None
59522	Shock	—	—	LS39	L2	16.63"	28.5"	11.88"	—	None
59523†	Shock	—	—	S5	LS47	9.5"	13.75"	4.25"	—	P01167
59524	Shock	—	—	LS47	LS47	15.38"	24.63"	9.25"	—	None
59525‡	Shock	—	—	S5	LS47	13.88"	21.75"	7.88"	—	P01167
59527	Shock	—	—	LS47	LS47	15.75"	26.13"	10.38"	—	None
59528‡	Shock	—	—	S5	LS47	14.38"	22.75"	8.38"	—	P01167
59529†	Shock	—	—	LS39	LS40	15.13"	24.63"	9.5"	—	None
59531†	Shock	—	—	S5	S5	14.25"	23.25"	9"	—	P01167
59532†	Shock	—	—	S4	L3	14.38"	23.25"	8.88"	—	P00120,P01167
59533	Shock	—	—	L1	L1	16.13"	27.25"	11.13"	—	None
59534†	Shock	—	—	S4	LS26	10.13"	15"	4.88"	—	P01135
59535	Shock	—	—	S4	XP8	9.25"	13.63"	4.38"	—	P01135
59536†	Shock	—	—	S4	L1	9.38"	14.25"	4.88"	—	P01135
59537†	Shock	—	—	L1	LS26	14"	22.25"	8.25"	—	None
59539‡	Shock	—	—	LS77	LS39	11.75"	15.88"	4.13"	—	None
59541	Shock	—	—	L1	L1	13.25"	21"	7.75"	—	P00573
59542	Shock	—	—	L1/CP1	LS36	9.88"	14.63"	4.75"	—	P00019
59544	Shock	—	—	L1/CP1	LS47	14"	22.88"	8.88"	—	P00019
59547	Shock	—	—	S4	XP8	8.88"	13.38"	4.5"	—	P01135
59548	Shock	—	—	LS39	L2	14.75"	24.38"	9.63"	—	None
59549	Shock	—	—	LS24	LS24	9.93"	14.63"	4.7"	—	None
59550	Shock	—	—	L2	L2	13.25"	21.13"	7.88"	—	None
59551	Shock	—	—	LS39	L2	15.63"	26.25"	10.63"	—	None
59552	Shock	—	—	S4	XP8	10"	15.5"	5.5"	—	P01135
59553	Shock	—	—	S4	LS38	9.88"	14.38"	4.5"	—	P01135
59554	Shock	—	—	S4	LS38	10.63"	15.88"	5.25"	—	P01135
59555	Shock	—	—	S4	LS38	13.75"	22.63"	8.88"	—	P01135
59556	Shock	—	—	L1	L1	11.88"	18.13"	6.25"	—	P00411
59557	Shock	—	—	L1	L1	12.63"	19.75"	7.13"	—	None
59558†	Shock	—	—	S4	LS38	10.13"	16.75"	6.63"	—	P01135
59559†	Shock	—	—	S4	LS38	13.38"	21.25"	7.88"	—	P01135
59560†	Shock	—	—	S4	S4	13.25"	22"	8.75"	—	P01134
59561	Shock	—	—	LS39	LS39	13"	20.88"	7.88"	—	None
59562	Shock	—	—	S4	LS38	12.38"	19.75"	7.38"	—	P01136
59564	Shock	—	—	LS37	LS39	11.63"	18.25"	6.63"	—	P00816
59565	Shock	—	—	LS47	LS47	15.5"	26.13"	10.63"	—	None
59566	Shock	—	—	S4	L1	11.5"	18.38"	6.88"	—	P01135
59567	Shock	—	—	L1	LS26	13.5"	21.75"	8.25"	—	None
59568	Shock	—	—	S4	LS26	11.63"	18.5"	6.88"	—	P01135,P00864

† Bumper Stop Unit. Dimension Shown at Bumper Contact

‡ Hydraulic Lockout Unit. Dimension Shown is Metal-to-Metal, Subtract Approximately 5/8" (.62) from the Extended Length for Start-of-Engagement.

MOUNTING & LENGTH SPECIFICATIONS

Part No.	Part Type	STRUT BODY		END CODE		LENGTHS			Spring (Rate)	Parts Pack(s)
		Type	Length	Upper	Lower	Comp.	Ext.	Trav.		
59569	Shock	—	—	LS40	LS40	14.75"	24.63"	9.88"	—	None
59570	Shock	—	—	L1	LS26	14.88"	24.75"	9.88"	—	None
59571	Shock	—	—	LS37	LS37	11.75"	18.38"	6.63"	—	P00816
59574	Shock	—	—	L1	LS38	12.63"	20.38"	7.75"	—	P00826
59576	Shock	—	—	LS47	LS47	14.13"	22.88"	8.75"	—	None
59577	Shock	—	—	L1	LS26	14.13"	22.88"	8.75"	—	None
59578	Shock	—	—	L1	LS26	15.75"	26.38"	10.63"	—	None
59581†	Shock	—	—	S4	XP5	9.5"	13.75"	4.25"	—	P01134
59582‡	Shock	—	—	LS77	LS39	11.38"	16.5"	5.13"	—	None
59583	Shock	—	—	XP7	LS47	16.13"	26.75"	10.63"	—	None
59585†	Shock	—	—	LS26	LS26	13.63"	21.63"	8"	—	None
59586†	Shock	—	—	LS26	LS26	14.25"	23"	8.75"	—	None
59587	Shock	—	—	S4	LS43	14.25"	23.88"	9.63"	—	P01135
59588	Shock	—	—	S4	LS43	16.13"	27.38"	11.25"	—	P01136
59589	Shock	—	—	S4	XP5	10.38"	14.38"	4"	—	P01135
59590†	Shock	—	—	LS47	LS47	15.5"	23.75"	8.25"	—	None
59591†	Shock	—	—	S4	SPEC	11"	15.13"	4.13"	—	P01136
59592†	Shock	—	—	LS47	LS47	16.75"	25.5"	8.75"	—	None
59595†	Shock	—	—	LS26	LS26	14"	20.13"	6.13"	—	None
59596†	Shock	—	—	S5	L1	10.13"	15"	4.88"	—	P01167
59597	Shock	—	—	L1	LS26	16.5"	28.25"	11.75"	—	None
59598†	Shock	—	—	L1	LS26	14.25"	22.88"	8.63"	—	None
59599	Shock	—	—	L1	LS26	18"	31"	13"	—	None
59600†	Shock	—	—	S5	XP5	10.25"	15"	4.75"	—	P01167
59601†	Shock	—	—	LS47	LS47	16"	26"	10"	—	None
59603†	Shock	—	—	LS47	LS47	14.75"	23.5"	8.75"	—	None
59605†	Shock	—	—	LS47	LS47	15"	24.13"	9.13"	—	None
59611†	Shock	—	—	S4	SPEC	10.88"	15.25"	4.38"	—	P01135
59614†	Shock	—	—	S5	LS42	10.38"	15.13"	4.75"	—	P01167
59624†	Shock	—	—	S5	XP10	9.88"	14.25"	4.38"	—	P01167
59625	Shock	—	—	LS47	LS47	16"	26.5"	10.5"	—	None
59626†	Shock	—	—	S5	LS47	10.75"	15.88"	5.13"	—	P01167
59627	Shock	—	—	XP7	LS26	15.25"	25.13"	9.88"	—	None
59628†	Shock	—	—	L1	LS26	13.75"	21.88"	8.13"	—	None
59629	Shock	—	—	XP7	LS26	16.75"	28.25"	11.5"	—	None
59630†	Shock	—	—	S5	XP12	11"	16.38"	5.38"	—	P01167
59631	Shock	—	—	LS47	LS47	16.5"	27.5"	11"	—	None
59632†	Shock	—	—	S5	LS47	14.5"	22.75"	8.25"	—	P01167
59633	Shock	—	—	S5	LS47	13.63"	20.75"	7.13"	—	P01167
59634	Shock	—	—	LS49	LS26	14.75"	24.75"	10"	—	None
65101	Shock	—	—	L3	L3	12.69"	19.67"	6.98"	—	None
65102	Shock	—	—	L4	L4	16.63"	27"	10.38"	—	None
65103	Shock	—	—	L4	L4	16.38"	26.38"	10"	—	None
65104	Shock	—	—	L4	L4	14"	21.88"	7.88"	—	None
65105	Shock	—	—	LS53	S6	14"	22.88"	8.88"	—	P01482
65106	Shock	—	—	LS54	LS54	13.5"	21.38"	7.88"	—	None
65107	Shock	—	—	S6	LS54	12.88"	20.75"	7.88"	—	P01482
65108	Shock	—	—	LS54	LS54	14.5"	23.38"	8.88"	—	None
65109	Shock	—	—	LS54	LS54	14"	22.5"	8.5"	—	None
65110	Shock	—	—	LS54	LS54	15.25"	24.88"	9.63"	—	None
65111	Shock	—	—	L3	L3	17"	28.38"	11.38"	—	None
65112	Shock	—	—	L3	L3	15.13"	24.75"	9.63"	—	None
65113	Shock	—	—	L3	L3	13.31"	20.94"	7.63"	—	None
65114	Shock	—	—	L3	L3	16.13"	26.63"	10.5"	—	None
65115	Shock	—	—	S6	S6	13.13"	21.63"	8.5"	—	P01482
65116	Shock	—	—	L4	L4	15.38"	24.25"	8.88"	—	None
65118	Shock	—	—	L4	L4	16.5"	26.37"	9.87"	—	None
65119	Shock	—	—	LS54	LS54	13.06"	20.45"	7.39"	—	None
65120	Shock	—	—	LS54	LS54	16.1"	26.51"	10.41"	—	None
65121	Shock	—	—	LS54	LS54	14"	22.5"	8.5"	—	None
65122	Shock	—	—	L3	L3	18.75"	32"	13.25"	—	None

† Bumper Stop Unit. Dimension Shown at Bumper Contact

‡ Hydraulic Lockout Unit. Dimension Shown is Metal-to-Metal, Subtract Approximately 5/8" (.62) from the Extended Length for Start-of-Engagement.

MOUNTING & LENGTH SPECIFICATIONS

Part No.	Part Type	STRUT BODY		END CODE		LENGTHS			Spring (Rate)	Parts Pack(s)
		Type	Length	Upper	Lower	Comp.	Ext.	Trav.		
65123	Shock	—	—	LS54	LS54	14.88"	24.25"	9.38"	—	None
65124	Shock	—	—	LS54	LS54	15.5"	24.5"	9"	—	None
65128	Shock	—	—	LS62	L3	16.13"	25.5"	9.38"	—	None
65138	Shock	—	—	LS59	LS60	17.25"	28.25"	11"	—	None
65139	Shock	—	—	LS86	LS86	14.5"	22.75"	8.25"	—	None
65140	Shock	—	—	LS86	LS86	14.38"	22.5"	8.13"	—	None
65141	Shock	—	—	LS54	LS54	13.5"	21.38"	7.88"	—	None
65142	Shock	—	—	LS26	LS26	17"	28.13"	11.13"	—	None
65143	Shock	—	—	LS53	LS53	13.22"	20.28"	7.06"	—	None
65144	Shock	—	—	LS53	LS53	13.22"	20.28"	7.06"	—	None
65145	Shock	—	—	LS53	LS53	13.22"	20.28"	7.06"	—	None
65146	Shock	—	—	LS53	LS53	16.44"	23.36"	6.92"	—	None
65147	Shock	—	—	LS53	LS54	13"	20.25"	7.25"	—	None
65148	Shock	—	—	LS86	LS86	14.63"	22.75"	8.13"	—	None
65153	Shock	—	—	S6	LS54	13.5"	21.5"	8"	—	P01482
65155	Shock	—	—	LS53	LS53	13.25"	20.31"	7.06"	—	None
65156	Shock	—	—	LS71	LS54	15.53"	25.34"	9.81"	—	None
65157	Shock	—	—	LS53	LS54	13.19"	20.73"	7.54"	—	None
65158	Shock	—	—	LS53	LS54	13.19"	20.73"	7.54"	—	None
65159	Shock	—	—	LS87	L4	15.88"	25.88"	10"	—	None
65160	Shock	—	—	LS53	S6	13.88"	22.56"	8.69"	—	P01482
65161	Shock	—	—	S6	S6	16.94"	29.25"	12.31"	—	P01482
65162	Shock	—	—	LS86	LS86	13.66"	21.41"	7.75"	—	None
65164	Shock	—	—	S5	LS43	14.75"	22.97"	8.22"	—	P01167
65165	Shock	—	—	LS47	LS47	15"	23.13"	8.13"	—	None
65166	Shock	—	—	LS68	LS54	15.56"	25.2"	9.64"	—	None
65167	Shock	—	—	S5	LS47	13.38"	20.88"	7.5"	—	P01167
65168	Shock	—	—	L1	LS26	15.06"	24.31"	9.25"	—	None
65169	Shock	—	—	S6	S6	13.99"	23.38"	9.39"	—	P01482
65171	Shock	—	—	LS53	LS54	19.13"	25.75"	6.63"	—	None
65172	Shock	—	—	LS47	LS47	13.5"	21.5"	8"	—	None
65173	Shock	—	—	S6	S6	11.13"	17.75"	6.63"	—	P01482
65174†	Shock	—	—	L1	LS26	17.06"	28.44"	11.38"	—	None
65175	Shock	—	—	LS87	LS80	13.19"	20.63"	7.44"	—	None
65176	Shock	—	—	LS87	LS80	13.16"	20.63"	7.47"	—	None
65178	Shock	—	—	LS53	LS53	14.52"	22.79"	8.27"	—	None
65179	Shock	—	—	LS53	LS54	14.63"	23.61"	8.97"	—	None
65180	Shock	—	—	LS53	LS54	16.65"	27.15"	10.47"	—	None
65181†	Shock	—	—	LS80	LS80	15.63"	24.01"	8.38"	—	None
65183	Shock	—	—	LS70	LS70	17.14"	26.45"	9.31"	—	None
65184	Shock	—	—	LS70	LS54	13.8"	21.07"	7.27"	—	None
65185	Shock	—	—	LS70	LS54	14.52"	22.67"	8.15"	—	None
65400‡	Shock	—	—	S6	L4	17.38"	26.75"	9.38"	—	P01482
65401‡	Shock	—	—	LS54	LS54	17.88"	29.56"	11.69"	—	None
65402‡	Shock	—	—	S6	L4	15.06"	24.06"	9"	—	P01482
65403	Shock	—	—	LS54	LS54	16.54"	26.8"	10.26"	—	None
65404‡	Shock	—	—	S6	S6	12.01"	18.79"	6.78"	—	P01482
65405‡	Shock	—	—	L3	L3	13.13"	20.07"	6.02"	—	P01009
65406‡	Shock	—	—	L3	L3	17.38"	28"	10.63"	—	P01009
65407‡	Shock	—	—	L4	L4	15.45"	24.16"	8.7"	—	None
65408‡	Shock	—	—	S6	LS71	14.13"	21.75"	7.63"	—	P01482
65409‡	Shock	—	—	LS53	LS53	15.75"	24.75"	9"	—	None
65410‡	Shock	—	—	L4	L4	12.26"	17.82"	5.56"	—	None
65411‡	Shock	—	—	LS54	LS54	16.38"	26.5"	10.13"	—	None
65412‡	Shock	—	—	LS54	LS54	15.75"	25.22"	9.47"	—	None
65413‡	Shock	—	—	S6	S6	14.63"	23.38"	8.75"	—	P01482
65414‡	Shock	—	—	S6	S6	14.63"	23.38"	8.75"	—	P01482
65415‡	Shock	—	—	L3	L3	16.88"	26.75"	9.88"	—	None
65416‡	Shock	—	—	LS54	LS54	11.99"	17.75"	5.76"	—	None
65417‡	Shock	—	—	LS65	LS65	11.63"	14.75"	3.13"	—	None
65418‡	Shock	—	—	LS54	LS54	13.98"	21.75"	7.77"	—	None

† Bumper Stop Unit. Dimension Shown at Bumper Contact

‡ Hydraulic Lockout Unit. Dimension Shown is Metal-to-Metal, Subtract Approximately 5/8" (.62) from the Extended Length for Start-of-Engagement.

MOUNTING & LENGTH SPECIFICATIONS

Part No.	Part Type	STRUT BODY		END CODE		LENGTHS			Spring (Rate)	Parts Pack(s)
		Type	Length	Upper	Lower	Comp.	Ext.	Trav.		
65419†	Shock	—	—	LS54	LS54	11.63"	17"	5.38"	—	None
65420†	Shock	—	—	LS54	LS54	18.09"	29.98"	11.89"	—	None
65421†	Shock	—	—	LS54	LS54	15.53"	24.84"	9.31"	—	None
65425‡	Shock	—	—	S6	LS54	12.99"	20.2"	7.21"	—	P01482
65427‡	Shock	—	—	LS54	LS54	19.06"	31.91"	12.85"	—	None
65428‡	Shock	—	—	LS54	LS54	16.32"	26.31"	9.99"	—	None
65429‡	Shock	—	—	L3	L3	15.88"	24.75"	8.88"	—	None
65430‡	Shock	—	—	L4	L4	13.32"	19.9"	6.58"	—	None
65431†	Shock	—	—	LS54	LS54	15.31"	24.31"	9"	—	None
65432‡	Shock	—	—	LS54	LS54	13.69"	21.08"	7.39"	—	None
65433‡	Shock	—	—	LS54	LS54	13.59"	20.61"	7.02"	—	None
65434‡	Shock	—	—	L3	L3	13.58"	20.86"	7.28"	—	None
65435‡	Shock	—	—	L4	L4	17.88"	28.25"	10.38"	—	None
65436‡	Shock	—	—	S6	S6	11.38"	16.88"	5.5"	—	P01482
65439‡	Shock	—	—	L4	L4	15.13"	21.5"	6.38"	—	None
65440‡	Shock	—	—	S6	L4	16.13"	24.25"	8.13"	—	P01482
65442‡	Shock	—	—	L4	L4	16.98"	26.25"	9.27"	—	None
65444‡	Shock	—	—	S6	L4	14.97"	23.81"	8.84"	—	P01482
65448‡	Shock	—	—	L4	L4	16.98"	26.2"	9.22"	—	None
65449‡	Shock	—	—	L4	L4	15.75"	23.48"	7.73"	—	None
65451†	Shock	—	—	LS54	LS54	13.38"	20.36"	6.99"	—	None
65453‡	Shock	—	—	LS54	LS54	16.95"	27.6"	10.65"	—	None
65455‡	Shock	—	—	L4	L4	14.38"	21.38"	7"	—	None
65456‡	Shock	—	—	L4	L4	20.25"	32.88"	12.63"	—	None
65458‡	Shock	—	—	LS54	LS54	12.25"	17.63"	5.38"	—	None
65459‡	Shock	—	—	LS54	LS54	17.38"	28.44"	11.06"	—	None
65463‡	Shock	—	—	L4	L4	19.3"	31.97"	12.67"	—	None
65465‡	Shock	—	—	LS54	LS54	10.34"	14.33"	3.98"	—	None
65466‡	Shock	—	—	LS54	LS54	15.74"	25.19"	9.45"	—	None
65468‡	Shock	—	—	S6	S6	15.63"	26"	10.38"	—	P01482
65472‡	Shock	—	—	L4	S6	15.13"	23.7"	8.58"	—	P01482
65474‡	Shock	—	—	L4	L4	13.63"	20"	6.38"	—	None
65475‡	Shock	—	—	LS53	S6	17.25"	28"	10.75"	—	P01482
65478‡	Shock	—	—	LS54	LS54	15.02"	23.75"	8.73"	—	None
65479‡	Shock	—	—	LS54	LS54	15.75"	25.22"	9.47"	—	None
65480‡	Shock	—	—	LS54	S6	15.97"	26.1"	10.13"	—	P01482
65481†	Shock	—	—	LS54	LS54	16.51"	26.71"	10.2"	—	None
65482‡	Shock	—	—	LS54	LS54	17.43"	28.45"	11.02"	—	None
65483‡	Shock	—	—	LS75	LS75	18.13"	29.5"	11.38"	—	None
65484‡	Shock	—	—	LS54	LS54	18.12"	30"	11.88"	—	None
65485‡	Shock	—	—	LS54	LS54	18.76"	31.25"	12.49"	—	None
65486‡	Shock	—	—	LS61	LS62	15.63"	24.98"	9.36"	—	None
65487‡	Shock	—	—	LS53	LS53	15.5"	24.74"	9.24"	—	None
65488‡	Shock	—	—	LS53	LS53	17.96"	26.54"	8.59"	—	None
65489‡	Shock	—	—	LS59	LS60	13.5"	19.5"	6"	—	None
65490‡	Shock	—	—	LS59	LS60	15"	22.91"	7.91"	—	None
65492‡	Shock	—	—	LS61	LS61	14.5"	22.5"	8"	—	None
65493‡	Shock	—	—	LS54	LS54	12.08"	17.18"	5.1"	—	None
65494‡	Shock	—	—	LS61	LS62	15.5"	24.81"	9.31"	—	None
65495‡	Shock	—	—	LS87	LS80	18.36"	30.5"	12.14"	—	None
65497‡	Shock	—	—	LS53	LS53	13.15"	18.31"	5.16"	—	None
65499‡	Shock	—	—	LS53	LS54	18.65"	25.37"	6.71"	—	None
65500‡	Shock	—	—	LS54	LS54	11.86"	17.5"	5.64"	—	None
65501†	Shock	—	—	LS54	LS54	11.78"	17.34"	5.56"	—	None
65502‡	Shock	—	—	LS54	LS54	10.99"	15.75"	4.76"	—	None
65503‡	Shock	—	—	LS54	LS54	14.3"	22.13"	7.83"	—	None
65504‡	Shock	—	—	LS54	LS87	15.17"	24.13"	8.95"	—	P01471
65505‡	Shock	—	—	LS75	LS75	17.4"	28.53"	11.13"	—	None
65506‡	Shock	—	—	LS54	LS75	15.75"	25.22"	9.47"	—	None
65507‡	Shock	—	—	LS62	S6	13.77"	21.86"	8.09"	—	P01482
65508‡	Shock	—	—	LS62	S6	14.8"	23.92"	9.13"	—	P01482

† Bumper Stop Unit. Dimension Shown at Bumper Contact

‡ Hydraulic Lockout Unit. Dimension Shown is Metal-to-Metal, Subtract Approximately 5/8" (.62) from the Extended Length for Start-of-Engagement.

MOUNTING & LENGTH SPECIFICATIONS

Part No.	Part Type	STRUT BODY		END CODE		LENGTHS			Spring (Rate)	Parts Pack(s)
		Type	Length	Upper	Lower	Comp.	Ext.	Trav.		
65509‡	Shock	—	—	LS54	LS54	9.13"	12.06"	2.94"	—	None
65510‡	Shock	—	—	LS54	LS54	9.75"	13.25"	3.5"	—	None
65511‡	Shock	—	—	LS54	LS54	10.34"	14.5"	4.16"	—	None
65512‡	Shock	—	—	LS54	LS54	11.06"	15.91"	4.85"	—	None
65513‡	Shock	—	—	LS54	LS54	12.96"	19.5"	6.54"	—	None
65514‡	Shock	—	—	LS54	LS54	16.19"	25.92"	9.73"	—	None
65519‡	Shock	—	—	LS54	LS54	13.3"	20.06"	6.77"	—	None
65522‡	Shock	—	—	LS53	LS53	17.41"	28.59"	11.19"	—	None
65523‡	Shock	—	—	SPEC	S6	12.75"	19.75"	7"	—	P01482
65524‡	Shock	—	—	LS87	S6	11.8"	17.86"	6.06"	—	P01482
65525‡	Shock	—	—	LS102	LS102	10.84"	15.25"	4.41"	—	None
65526‡	Shock	—	—	LS59	LS86	18.63"	30.69"	12.06"	—	None
65527‡	Shock	—	—	LS53	LS86	13.8"	21.25"	7.45"	—	None
65528‡	Shock	—	—	S6	S6	15.94"	26.31"	10.38"	—	P01482
65529‡	Shock	—	—	LS59	LS86	15.91"	25.39"	9.49"	—	None
65530	Shock	—	—	LS69	LS86	14.02"	21.36"	7.34"	—	None
65531	Shock	—	—	L4	L4	10.51"	14.13"	3.62"	—	None
65532	Shock	—	—	LS69	LS87	15.17"	23.57"	8.95"	—	None
65533‡	Shock	—	—	LS53	LS53	15.06"	23.67"	8.61"	—	None
65534‡	Shock	—	—	S6	L4	15.81"	23.96"	8.15"	—	P01482
65535‡	Shock	—	—	LS53	LS54	13.47"	20.68"	7.21"	—	None
65536	Shock	—	—	LS69	LS61	15.22"	24.18"	8.96"	—	None
65537	Shock	—	—	LS69	LS87	14.09"	21.94"	7.85"	—	None
65538	Shock	—	—	LS69	LS61	14.86"	23.38"	8.52"	—	None
65539	Shock	—	—	LS69	LS87	14.56"	22.89"	8.3"	—	None
65541	Shock	—	—	LS95	LS95	13.78"	21.31"	7.53"	—	None
65542	Shock	—	—	LS75	LS75	13.93"	21.65"	7.72"	—	None
65543‡	Shock	—	—	LS61	LS98	14.66"	22.81"	8.15"	—	None
65546	Shock	—	—	LS83	LS84	13.78"	21.3"	7.52"	—	None
65547	Shock	—	—	LS80	LS52	15.65"	24.61"	8.96"	—	None
66101	Shock	—	—	LS80	LS80	7.56"	9.96"	2.4"	—	None
66102	Shock	—	—	LS79	LS79	8.56"	11.96"	3.4"	—	None
66104	Shock	—	—	LS14	LS14	7.25"	9.38"	2.13"	—	None
66105	Shock	—	—	LS39	LS41	7.88"	10.88"	3"	—	None
66108	Shock	—	—	LS89	LS44	8.38"	10.25"	1.88"	—	None
66109	Shock	—	—	LS77	LS77	8"	9.38"	1.38"	—	None
66112	Shock	—	—	LS76	LS76	8.25"	11"	2.75"	—	None
66115	Shock	—	—	LS29	S4	8.25"	11.38"	3.13"	—	P01135
66116	Shock	—	—	LS79	S4	8.63"	10.38"	1.75"	—	P01135
66117†	Shock	—	—	LS37	S4	7.91"	9.41"	1.5"	—	P01135
66118	Shock	—	—	LS84	L1	8.33"	10.33"	2"	—	None
66120	Shock	—	—	LS23	LS23	6.5"	8.5"	2"	—	None
66121	Shock	—	—	LS84	L1	9.71"	11.82"	2.11"	—	None
66122	Shock	—	—	LS84	L1	8.33"	10.33"	2"	—	None
66123	Shock	—	—	LS79	LS80	7.25"	9.38"	2.13"	—	None
66124	Shock	—	—	LS96	LS97	8.63"	10.38"	1.75"	—	None
66125	Shock	—	—	LS98	LS80	9.96"	12.82"	2.88"	—	None
66126	Shock	—	—	LS14	LS14	7.36"	9.38"	2.02"	—	None
66138†	Shock	—	—	L3	L3	19.72"	32.73"	13.02"	—	None
66142†	Shock	—	—	LS33	LS33	8.33"	10.33"	2"	—	None
66143	Shock	—	—	L1	L1	11.75"	18.7"	6.95"	—	P00019
66145	Shock	—	—	LS79	LS79	9.13"	13.13"	4"	—	None
66147	Shock	—	—	LS77	LS77	8.63"	10.38"	1.75"	—	None
66149	Shock	—	—	LS37	LS37	9.25"	14"	4.75"	—	None
66157	Shock	—	—	XP7	S4	7.13"	9.75"	2.63"	—	P01134
66159	Shock	—	—	LS24	LS24	8.47"	11.58"	3.09"	—	None
66160	Shock	—	—	LS77	LS77	7.63"	9.88"	2.25"	—	None
66161	Shock	—	—	LS77	LS77	8.13"	10.88"	2.75"	—	None
66162	Shock	—	—	LS73	LS73	6.38"	7.88"	1.5"	—	None
66178	Shock	—	—	LS14	LS72	6.63"	8.38"	1.75"	—	None
66182	Shock	—	—	XP7	S4	5.75"	7.38"	1.63"	—	P01098

† Bumper Stop Unit. Dimension Shown at Bumper Contact

‡ Hydraulic Lockout Unit. Dimension Shown is Metal-to-Metal, Subtract Approximately 5/8" (.62) from the Extended Length for Start-of-Engagement.

MOUNTING & LENGTH SPECIFICATIONS

Part No.	Part Type	STRUT BODY		END CODE		LENGTHS			Spring (Rate)	Parts Pack(s)
		Type	Length	Upper	Lower	Comp.	Ext.	Trav.		
66189	Shock	—	—	XP8	S4	8.75"	10.88"	2.13"	—	P01134
66193	Shock	—	—	LS8	LS8	7.38"	9.75"	2.38"	—	None
66195	Shock	—	—	LS4	LS4	10.5"	14"	3.5"	—	None
66196†	Shock	—	—	LS37	S4	10.12"	13.84"	3.72"	—	P01136
66201	Shock	—	—	LS77	LS34	9.6"	13.42"	3.82"	—	None
66202	Shock	—	—	LS77	S6	9.32"	12.85"	3.53"	—	P01482
66203	Shock	—	—	LS98	LS80	9.23"	12.26"	3.03"	—	None
66204‡	Shock	—	—	LS14	LS14	8.64"	11.43"	2.79"	—	None
66205†	Shock	—	—	LS53	LS80	9.2"	10.76"	1.5"	—	None
66206†	Shock	—	—	LS37	L1	9.56"	12.73"	3.17"	—	None
66402	Shock	—	—	LS54	LS53	15.63"	25.13"	9.5"	—	None
66403	Shock	—	—	LS71	S6	12.88"	20.88"	8"	—	P01482
66405	Shock	—	—	LS71	S6	11.88"	18.88"	7"	—	P01482
66407‡	Shock	—	—	S6	LS54	13.88"	22.19"	8.31"	—	P01482
66408	Shock	—	—	LS39	LS39	12.55"	19.99"	7.44"	—	None
66412	Shock	—	—	LS53	LS53	11.67"	18.12"	6.45"	—	None
66413	Shock	—	—	L3	L3	12.17"	19.13"	6.95"	—	None
66414	Shock	—	—	LS47	LS47	12.92"	20.63"	7.7"	—	None
66415	Shock	—	—	LS47	LS28	12.99"	20.81"	7.82"	—	None
66417	Shock	—	—	LS48	LS43	12.69"	20.22"	7.53"	—	None
66419‡	Shock	—	—	LS61	LS61	14.44"	22.63"	8.19"	—	None
66420	Shock	—	—	LS44	LS44	12.73"	19.51"	6.77"	—	None
66422‡	Shock	—	—	LS53	LS53	13.28"	20.31"	7.03"	—	None
66423	Shock	—	—	L4	L4	16.27"	26.72"	10.45"	—	None
66424‡	Shock	—	—	S6	S6	12.05"	18.8"	6.75"	—	P01482
66428‡	Shock	—	—	S6	L4	16.61"	27.38"	10.77"	—	P01482
66429‡	Shock	—	—	S6	L4	14.98"	23.99"	9.01"	—	P01482
66431‡	Shock	—	—	LS61	LS62	15.69"	25.06"	9.38"	—	None
66433‡	Shock	—	—	LS86	LS86	14.72"	22.88"	8.16"	—	None
66436‡	Shock	—	—	LS87	LS80	18.31"	30.45"	12.14"	—	None
66437	Shock	—	—	LS54	LS54	14.05"	22.58"	8.76"	—	None
66438‡	Shock	—	—	LS54	LS54	11.05"	16.07"	5.02"	—	None
66439†	Shock	—	—	LS46	LS30	15.93"	25.96"	10.03"	—	None
66440	Shock	—	—	LS51	LS51	12.38"	19.73"	7.35"	—	None
66442	Shock	—	—	LS54	LS54	10.72"	15.4"	4.68"	—	None
66443	Shock	—	—	LS54	LS54	10.94"	15.71"	4.77"	—	None
66444†	Shock	—	—	L1	L1	13.48"	18.55"	5.07"	—	None
66445	Shock	—	—	LS54	LS54	12.07"	19.4"	7.33"	—	None
66446	Shock	—	—	LS54	LS54	13.07"	21.4"	8.33"	—	None
66447†	Shock	—	—	LS53	LS38	18.4"	31"	12.5"	—	None
66448	Shock	—	—	LS54	LS54	14.45"	22.86"	8.41"	—	None
66449	Shock	—	—	LS51	LS51	12.38"	19.73"	7.35"	—	None
66450	Shock	—	—	LS43	LS28	12.41"	19.87"	7.46"	—	None
66451	Shock	—	—	LS46	LS30	15.93"	25.96"	10.03"	—	None
66452†	Shock	—	—	LS46	LS30	15.93"	25.96"	10.03"	—	None
66453	Shock	—	—	LS78	LS78	14.48"	21.9"	7.42"	—	None
66454	Shock	—	—	LS54	LS54	15.66"	25.4"	9.74"	—	None
66455	Shock	—	—	LS54	LS54	15.66"	25.4"	9.74"	—	None
66456	Shock	—	—	LS38	LS38	15.34"	23.74"	8.4"	—	None
66457	Shock	—	—	LS43	LS28	14.28"	22.14"	7.86"	—	None
66502†	Steering Damper	—	—	LS54	LS54	14.05"	22.58"	8.53"	—	None
66504	Steering Damper	—	—	LB1	LB1	13.94"	22.47"	8.53"	—	None
66505†	Steering Damper	—	—	LS54	LS54	16.98"	28.56"	11.58"	—	None
66506	Steering Damper	—	—	LS54	LS54	13.9"	22.68"	8.78"	—	None
66601	Shock	—	—	S4	LS82	13.5"	22.88"	9.38"	—	P01136
66602	Shock	—	—	S4	L1	12.5"	20.88"	8.38"	—	P01134
66603	Shock	—	—	S5	S5	12.25"	20.13"	7.88"	—	P01167
66605	Shock	—	—	S5	S5	12.86"	21.39"	8.53"	—	P01303
66606‡	Shock	—	—	LS53	LS53	17.06"	27.17"	10.11"	—	None
66607‡	Shock	—	—	LS54	LS54	9.94"	13.47"	3.53"	—	None
66608‡	Shock	—	—	LS54	LS54	11.69"	16.83"	5.14"	—	None

† Bumper Stop Unit. Dimension Shown at Bumper Contact

‡ Hydraulic Lockout Unit. Dimension Shown is Metal-to-Metal, Subtract Approximately 5/8" (.62) from the Extended Length for Start-of-Engagement.

MOUNTING & LENGTH SPECIFICATIONS

Part No.	Part Type	STRUT BODY		END CODE		LENGTHS			Spring (Rate)	Parts Pack(s)
		Type	Length	Upper	Lower	Comp.	Ext.	Trav.		
66609	Shock	—	—	LS54	S6	13.38"	21.75"	8.38"	—	P01482
66610†	Shock	—	—	LS54	LS54	12.58"	18.7"	6.13"	—	None
66613†	Shock	—	—	LS54	LS54	17.06"	27.04"	9.98"	—	None
66615	Shock	—	—	LS71	S6	13.63"	22.25"	8.63"	—	P01482
66618	Shock	—	—	L3	L3	13.38"	21.5"	8.13"	—	None
66624	Shock	—	—	L3	L3	15.5"	25.63"	10.13"	—	None
66626	Shock	—	—	S6	S6	15.13"	25.88"	10.75"	—	P01482
66627†	Shock	—	—	LS54	LS54	10.44"	14.45"	4.02"	—	None
66628	Shock	—	—	S6	S6	16.88"	29.5"	12.63"	—	P01482
66629	Shock	—	—	L3	L3	18.63"	32.13"	13.5"	—	P00119
66633†	Shock	—	—	LS54	LS54	13.81"	21.2"	7.39"	—	None
66634†	Shock	—	—	LS54	LS54	12.19"	17.86"	5.67"	—	None
66636†	Shock	—	—	LS54	LS54	13.44"	20.45"	7.02"	—	None
66637	Shock	—	—	L1/CP5	LS54	14.13"	23"	8.88"	—	P00019
66638†	Shock	—	—	LS54	LS54	16.69"	26.83"	10.14"	—	None
66639	Shock	—	—	S4	L1	13.25"	22"	8.75"	—	P01136
66646	Shock	—	—	L3	L3	15.25"	25"	9.75"	—	P00119
66648	Shock	—	—	LS54	S6	13.71"	21.35"	7.64"	—	P01482
66653	Shock	—	—	S4	L3	13.96"	23.25"	9.29"	—	P01134
66656†	Shock	—	—	LS54	S6	14.47"	22.97"	8.5"	—	P01482
66658†	Shock	—	—	S6	LS54	15.05"	24.07"	9.02"	—	P01482
66660†	Shock	—	—	LS54	L4	12.72"	19.21"	6.49"	—	None
66666	Shock	—	—	LS38	LS38	13.88"	22.88"	9"	—	None
66668	Shock	—	—	L3	L3	15.72"	26"	10.28"	—	P00119
66671	Shock	—	—	LS54	LS54	16"	26.75"	10.75"	—	None
66675	Shock	—	—	S5	L3	13.38"	22"	8.63"	—	P01167
66683†	Shock	—	—	LS53	LS53	15.31"	24.07"	8.76"	—	None
66684	Shock	—	—	L4	L4	14.89"	24.09"	9.2"	—	None
66691	Shock	—	—	LS41	LS53	15"	24"	9"	—	P01322
66692	Shock	—	—	LS71	S6	13.75"	22.63"	8.88"	—	P01482
66697	Shock	—	—	LS54	LS40	14.63"	24.25"	9.63"	—	None
66707	Shock	—	—	L4	L4	16.02"	25.47"	9.45"	—	None
66710†	Shock	—	—	LS54	LS54	18.06"	29.7"	11.64"	—	None
66713	Shock	—	—	S5	LS75	18.25"	31.88"	13.63"	—	P01167
66714	Shock	—	—	L3	L3	14.38"	23.38"	9"	—	P00119,P00936
66715	Shock	—	—	LS80	S6	14.13"	23.13"	9"	—	P01482
66717	Shock	—	—	S4	L3	14.25"	23.42"	9.17"	—	P01134,P00120,P00936
66719	Shock	—	—	LS54	LS54	19.38"	33.5"	14.13"	—	None
66721	Shock	—	—	L3	L3	15.44"	25.29"	9.85"	—	None
66722	Shock	—	—	S4	L3	14.45"	24.3"	9.85"	—	P01134, P00120
66810	Shock	—	—	L2	L2	17.5"	30.25"	12.75"	—	None
66811	Shock	—	—	L3	L3	16.17"	26.56"	10.39"	—	P00119
66828	Shock	—	—	L3	L3	13.13"	21.13"	8"	—	P00575
66829	Shock	—	—	S4	S4	11.5"	18.75"	7.25"	—	P01136
66833†	Shock	—	—	LS54	LS54	15.81"	25.2"	9.39"	—	None
66841	Shock	—	—	L3	L3	14.38"	23.5"	9.13"	—	P00575
66858	Shock	—	—	L2	L2	12"	19.25"	7.25"	—	None
66859	Shock	—	—	L2	L2	16.13"	27.13"	11"	—	None
66860†	Shock	—	—	L3	L3	15.16"	24.56"	9.41"	—	P00119
66861†	Shock	—	—	L3	L3	17.31"	28.69"	11.38"	—	None
66863	Shock	—	—	L3	L3	18"	30.75"	12.75"	—	P00119
66864	Shock	—	—	L4	L4	17.68"	28.8"	11.12"	—	None
66878	Shock	—	—	LS54	LS54	14.56"	23.91"	9.34"	—	None
66884†	Shock	—	—	LS54	LS54	17.19"	27.95"	10.77"	—	None
66886†	Shock	—	—	LS54	LS54	13.95"	21.86"	7.91"	—	None
66891	Shock	—	—	L4	L4	16.3"	26.72"	10.42"	—	None
66893†	Shock	—	—	LS54	LS54	11.94"	17.45"	5.52"	—	None
66897†	Shock	—	—	LS54	LS54	15.44"	24.33"	8.89"	—	None
66902	Shock	—	—	L1	L1	14.13"	23.88"	9.75"	—	None
66903	Shock	—	—	S4	S4	12.75"	21.75"	9"	—	P01134
66913	Shock	—	—	L1/CP5	LS54	15"	24.88"	9.88"	—	P00019

† Bumper Stop Unit. Dimension Shown at Bumper Contact

‡ Hydraulic Lockout Unit. Dimension Shown is Metal-to-Metal, Subtract Approximately 5/8" (.62) from the Extended Length for Start-of-Engagement.

MOUNTING & LENGTH SPECIFICATIONS

Part No.	Part Type	STRUT BODY		END CODE		LENGTHS			Spring (Rate)	Parts Pack(s)
		Type	Length	Upper	Lower	Comp.	Ext.	Trav.		
66921	Shock	—	—	S5	S5	13.5"	23.63"	10.13"	—	P01303
66923	Shock	—	—	S5	S5	14"	24.13"	10.13"	—	P01303
66924	Shock	—	—	S5	LS53	16.13"	27.5"	11.38"	—	P01303
66956†	Shock	—	—	LS53	LS53	15.73"	25.41"	9.68"	—	None
66957‡	Shock	—	—	L4	L4	15.28"	23.69"	8.41"	—	None
66966	Shock	—	—	L4	S6	15.5"	25.25"	9.75"	—	P01482
66969‡	Shock	—	—	LS54	LS54	15.43"	24.45"	9.02"	—	None
71053	Strut	SS4	18.48"	—	—	18.98"	24.13"	5.15"	—	None
71054†	Strut	B11	14.24"	—	—	14.74"	21.34"	6.6"	—	None
71055	Strut	B4	14.42"	—	—	14.92"	21.14"	6.22"	—	None
71056	Strut	B11	11.9"	—	—	12.4"	18.86"	6.46"	—	None
71057	Strut	B11	11.9"	—	—	12.4"	18.86"	6.46"	—	None
71058†	Strut	B4	13.71"	—	—	14.21"	20.08"	5.87"	—	M17130024
71059	Strut	B9	14.62"	—	—	15.12"	21.1"	5.98"	—	None
71060	Strut	B9	14.62"	—	—	15.12"	21.1"	5.98"	—	None
71061	Strut	B11	13"	—	—	13.5"	19.7"	6.2"	—	None
71062	Strut	B11	13"	—	—	13.5"	16.7"	3.2"	—	None
71063	Strut	B9	14.07"	—	—	14.57"	20.08"	5.51"	—	None
71064	Strut	B9	14.07"	—	—	14.57"	20.08"	5.51"	—	None
71100	Strut	SS4	13"	—	—	13.56"	18.39"	4.83"	—	None
71101†	Strut	SS2	10.52"	—	—	11.02"	15.35"	4.33"	—	P00906
71102†	Strut	SS3	10.49"	—	—	10.99"	15.56"	4.57"	—	P01614
71103	Strut	SS2	10.49"	—	—	10.99"	15.56"	4.57"	—	P01614
71105	Strut	SS2	11.5"	—	—	12.52"	16.44"	3.92"	—	P00762
71106	Strut	SS2	11.5"	—	—	12.52"	16.44"	3.92"	—	P00762
71107	Strut	SS2	10"	—	—	12"	17.5"	5.5"	—	P00906
71108	Strut	SS2	9"	—	—	11"	15.88"	4.88"	—	P00906
71109	Strut	SS2	10"	—	—	10.49"	19.49"	9"	—	None
71110	Strut	SS2	14.45"	—	—	14.59"	19.49"	4.9"	—	None
71111	Strut	SS4	14.84"	—	—	15.43"	21.19"	5.76"	—	P01746
71112	Strut	SS2	11.5"	—	—	12.01"	16.46"	4.45"	—	P00522
71113	Strut	SS2	11.32"	—	—	11.82"	17.74"	5.92"	—	P00762
71114	Strut	SS2	10"	—	—	10.55"	15.04"	4.49"	—	P00906
71115	Strut	SS2	15.68"	—	—	16.18"	22.4"	6.22"	—	P00906
71116	Strut	B3	18.63"	—	—	19.13"	24.41"	5.28"	—	P00762
71117	Strut	B3	18.63"	—	—	19.13"	24.41"	5.28"	—	P00762
71119	Strut	SS2	17.8"	—	—	17.76"	23.55"	5.76"	—	P01613
71122	Strut	SS4	14.15"	—	—	14.65"	20.16"	5.51"	—	P00906
71123	Strut	SS2	14.82"	—	—	15.32"	22.6"	7.29"	—	P00906
71124†	Strut	SS2	18.82"	—	—	19.32"	20.42"	1.1"	—	P01611
71125	Strut	SS3	13.02"	—	—	13.52"	19.69"	6.17"	—	P01611
71126	Strut	SS2	12.63"	—	—	13.13"	20.64"	7.51"	—	P00906
71128	Strut	B11	16.28"	—	—	12.46"	19.5"	7.04"	—	P00762
71130	Strut	B11	11.59"	—	—	12.09"	19.6"	7.51"	—	P00762
71131	Strut	B11	11.59"	—	—	12.09"	19.6"	7.51"	—	P00762
71133	Strut	SS2	15.02"	—	—	15.52"	18.52"	3"	—	P00839
71134	Strut	SS2	15.02"	—	—	15.52"	18.52"	3"	—	P00839
71135	Strut	B11	13.81"	—	—	14.14"	20.81"	6.67"	—	P00762
71136	Strut	B11	13.81"	—	—	14.14"	20.81"	6.67"	—	P00762
71137	Strut	SPEC	—	—	—	17.68"	22.25"	4.57"	—	P01613
71138	Strut	SS1	15.65"	—	—	16.15"	21.3"	5.15"	—	P01388
71139†	Strut	SS1	14.93"	—	—	15.43"	21.11"	5.68"	—	P01388
71140	Strut	SS2	15.88"	—	—	16.38"	21.18"	4.8"	—	P01388
71141	Strut	SS2	16.6"	—	—	17.17"	21.64"	4.47"	—	P01769
71143	Strut	B3	10.56"	—	—	11.06"	14.92"	3.86"	—	None
71144	Strut	B3	10.56"	—	—	11.06"	14.92"	3.86"	—	None
71145	Strut	SS2	12.13"	—	—	12.63"	18.88"	6.25"	—	None
71146	Strut	SS2	12.38"	—	—	12.88"	19.13"	6.25"	—	P00906
71147	Strut	SS2	11.06"	—	—	11.5"	17.31"	5.81"	—	P00906
71148	Strut	SS4	11.77"	—	—	12.75"	18.39"	5.64"	—	None
71202†	Strut	SS1	12.63"	—	—	13.25"	21.5"	8.25"	—	P01006

† Bumper Stop Unit. Dimension Shown at Bumper Contact

‡ Hydraulic Lockout Unit. Dimension Shown is Metal-to-Metal, Subtract Approximately 5/8" (.62) from the Extended Length for Start-of-Engagement.

MOUNTING & LENGTH SPECIFICATIONS

Part No.	Part Type	STRUT BODY		END CODE		LENGTHS			Spring (Rate)	Parts Pack(s)
		Type	Length	Upper	Lower	Comp.	Ext.	Trav.		
71225†	Strut	SS2	15.13"	—	—	15.63"	23.38"	7.75"	—	P00255BE
71230†	Strut	SS1	13"	—	—	13.13"	21.38"	8.25"	—	P00919BE
71231†	Strut	SS4	13.13"	—	—	13.25"	19.38"	6.13"	—	P00878
71233†	Strut	SS2	14.75"	—	—	15.13"	21.5"	6.38"	—	P00947BE
71239	Strut	SS2	15.13"	—	—	15.5"	23.75"	8.25"	—	BE17110033
71241†	Strut	SS4	15.75"	—	—	16"	24.13"	8.13"	—	P00878
71245†	Strut	SS1	9.75"	—	—	10"	15"	5"	—	P00942
71246†	Strut	SS1	11.13"	—	—	12"	17.75"	5.75"	—	P00762,P01008
71247†	Strut	SS6	15"	—	—	15.25"	21.38"	6.13"	—	P00942
71253†	Strut	SS2	14"	—	—	14.5"	22.63"	8.13"	—	P00987NC
71256†	Strut	SS1	12"	—	—	12.25"	19"	6.75"	—	P00762
71259	Strut	SPEC	12"	—	—	16"	25.63"	9.63"	—	P01249
71265†	Strut	SS1	16.13"	—	—	16.5"	25"	8.5"	—	P01006
71266†	Strut	SS5	13.13"	—	—	13.25"	19.38"	6.13"	—	P00878
71267†	Strut	SS4	17.25"	—	—	17.75"	25.25"	7.5"	—	P01249
71272†	Strut	SS2	13.5"	—	—	13.63"	20.38"	6.75"	—	BE17110142
71276†	Strut	SS2	14.63"	—	—	15"	21"	6"	—	P01629
71278†	Strut	SS2	10.68"	—	—	11.18"	16.67"	5.49"	—	None
71281†	Strut	SS2	17.13"	—	—	17.38"	23.75"	6.38"	—	None
71282†	Strut	SS4	12.72"	—	—	13.54"	20.77"	7.23"	—	None
71285†	Strut	SS1	13.13"	—	—	13.38"	18.13"	4.75"	—	P00942
71286†	Strut	SS4	15.8"	—	—	16.3"	24.29"	7.99"	—	P00866
71291†	Strut	SPEC	9.56"	—	—	10"	15.38"	5.38"	—	P00906
71292†	Strut	SPEC	12.75"	—	—	13.25"	19.25"	6"	—	P00878
71293†	Strut	B3	12.01"	—	—	12.51"	17.73"	5.22"	—	P00906
71294†	Strut	SPEC	11.88"	—	—	12.38"	19"	6.63"	—	BE17110283
71295†	Strut	SPEC	15.79"	—	—	16.22"	24.13"	7.91"	—	P00906
71296†	Strut	SS2	14.25"	—	—	14.5"	21.25"	6.75"	—	None
71297†	Strut	SPEC	11.56"	—	—	12"	19.25"	7.25"	—	P01498
71299†	Strut	SS2	16.38"	—	—	16.5"	25.25"	8.75"	—	P00906
71304	Strut	SS4	17"	—	—	18.13"	22"	3.88"	—	BE17110455
71309†	Strut	SS2	14.63"	—	—	15.13"	23.25"	8.13"	—	BE17110467
71311†	Strut	SS4	12.9"	—	—	13.4"	20.43"	7.03"	—	None
71312†	Strut	SS2	11"	—	—	11.5"	16.5"	5"	—	None
71313†	Strut	SS2	14"	—	—	14.5"	21.5"	7"	—	BE17110505
71317	Strut	SS2	14.75"	—	—	15.75"	20.75"	5"	—	P00762
71318	Strut	SS2	16.5"	—	—	17.38"	25.25"	7.88"	—	P00762
71321	Strut	SPEC	16.04"	—	—	16.54"	19.06"	2.52"	—	P01611
71322	Strut	SS2	13.02"	—	—	13.52"	19.69"	6.17"	—	P01611
71323	Strut	SS2	14.74"	—	—	15.24"	22.6"	7.36"	—	P00906
71325	Strut	SS2	15.38"	—	—	15.5"	22.75"	7.25"	—	None
71326	Strut	SS2	15.38"	—	—	15.75"	22.38"	6.63"	—	P01629
71327†	Strut	SS2	12.25"	—	—	12.88"	17.63"	4.75"	—	P01623
71331	Strut	SS4	17.63"	—	—	19"	24.5"	5.5"	—	P00838
71332	Strut	SS1	14.25"	—	—	15.63"	23.5"	7.88"	—	BE17110497
71334†	Strut	SS2	13"	—	—	13.75"	18.63"	4.88"	—	BE17110616
71335†	Strut	SS4	17.13"	—	—	18.13"	22"	3.88"	—	BE17110625
71339	Strut	SS2	16.38"	—	—	16.63"	25.38"	8.75"	—	P00906
71340	Strut	SS2	10"	—	—	10.38"	14.75"	4.38"	—	BE17110696
71341†	Strut	B3	11.02"	—	—	11.07"	16.08"	5.01"	—	None
71342	Strut	SS2	13"	—	—	13.5"	18.25"	4.75"	—	None
71343	Strut	SS2	9.75"	—	—	9.88"	14.5"	4.63"	—	None
71344	Strut	SS2	17.5"	—	—	17.75"	20.38"	2.63"	—	P01708
71345	Strut	SS2	12.63"	—	—	13.13"	17.38"	4.25"	—	P01708
71346†	Strut	SS3	11.75"	—	—	12.25"	15.52"	3.27"	—	P01611
71347†	Strut	SS3	13.13"	—	—	13.63"	17.88"	4.25"	—	P01612
71348	Strut	SS3	13.25"	—	—	13.5"	17.13"	3.63"	—	P01612
71349	Strut	SS2	14.88"	—	—	15.5"	23.25"	7.75"	—	BE17110549
71351†	Strut	SS2	13.05"	—	—	13.5"	16.18"	2.68"	—	P01612
71352†	Strut	SS2	13.12"	—	—	13.62"	18.19"	4.57"	—	P01612
71353	Strut	SS2	10.56"	—	—	11.04"	16.11"	5.07"	—	P01612

† Bumper Stop Unit. Dimension Shown at Bumper Contact

‡ Hydraulic Lockout Unit. Dimension Shown is Metal-to-Metal, Subtract Approximately 5/8" (.62) from the Extended Length for Start-of-Engagement.

MOUNTING & LENGTH SPECIFICATIONS

Part No.	Part Type	STRUT BODY		END CODE		LENGTHS			Spring (Rate)	Parts Pack(s)
		Type	Length	Upper	Lower	Comp.	Ext.	Trav.		
71354	Strut	SS2	9.75"	—	—	10.38"	13.13"	2.75"	—	P00762
71355	Strut	SS2	14.5"	—	—	15.5"	19.75"	4.25"	—	BE17110457
71356	Strut	SS2	13.88"	—	—	14.38"	21"	6.63"	—	BE17110307
71357	Strut	SS2	12.85"	—	—	12.92"	18.69"	5.77"	—	None
71358	Strut	SS2	10.5"	—	—	10.99"	15.38"	4.39"	—	P01614
71359	Strut	SS2	10.88"	—	—	11.63"	16.25"	4.63"	—	None
71360	Strut	SS2	16"	—	—	16.13"	23.5"	7.38"	—	None
71361	Strut	SS2	16.88"	—	—	17.3"	21.63"	4.33"	—	P01760
71362	Strut	SS2	15.2"	—	—	15.77"	20.71"	4.94"	—	P01760
71363	Strut	SS2	11"	—	—	11.75"	16"	4.25"	—	P00762
71364	Strut	B3	12"	—	—	12.38"	17.75"	5.38"	—	P00906
71366	Strut	SS2	17.63"	—	—	17.88"	21.63"	3.75"	—	BE17110547
71367	Strut	SS2	13.25"	—	—	13.5"	18"	4.5"	—	BE17110547
71368	Strut	SS2	17.25"	—	—	17.75"	20.38"	2.63"	—	P01708
71369	Strut	SS1	15.69"	—	—	16.14"	21.05"	4.91"	—	P01388
71370	Strut	SS1	13.81"	—	—	14.26"	21.5"	7.24"	—	P01388
71371	Strut	SS2	16.44"	—	—	16.89"	22.39"	5.5"	—	P01613
71372	Strut	SS2	16.63"	—	—	17.13"	24.88"	7.75"	—	P00906
71373	Strut	SS2	11"	—	—	11.5"	16.5"	5"	—	P00839
71375	Strut	SS2	10.94"	—	—	11.16"	16"	4.84"	—	P00839
71377	Strut	B4	13.57"	—	—	14.07"	20.32"	6.25"	—	None
71379	Strut	SS2	9.13"	—	—	11.13"	17.38"	6.25"	—	P01629
71380	Strut	SS2	10.52"	—	—	11.02"	15.71"	4.69"	—	P00906
71381	Strut	SS2	10.13"	—	—	12.13"	17"	4.88"	—	P00906
71391	Strut	B3	11.31"	—	—	11.81"	18.5"	6.69"	—	BE17110629
71398	Strut	SS2	16.25"	—	—	16.66"	20.84"	4.18"	—	P01611
71400	Strut	B10	12.13"	—	—	12.63"	18.75"	6.13"	—	P00762
71401	Strut	B10	12.13"	—	—	12.63"	18.75"	6.13"	—	P00762
71404	Strut	B10	13"	—	—	13.38"	19.63"	6.25"	—	P00762
71405	Strut	B10	13"	—	—	13.38"	19.63"	6.25"	—	P00762
71406	Strut	B10	14"	—	—	14.38"	22.13"	7.75"	—	P00762
71407	Strut	B10	14"	—	—	14.38"	22.13"	7.75"	—	P00762
71410	Strut	B2	17"	—	—	17.5"	25.13"	7.63"	—	None
71411	Strut	B2	17"	—	—	17.5"	25.13"	7.63"	—	None
71412	Strut	B9	15.25"	—	—	15.38"	21.63"	6.25"	—	P00762
71413	Strut	B9	15.25"	—	—	15.38"	21.63"	6.25"	—	P00762
71414	Strut	B2	17"	—	—	17.5"	25.5"	8"	—	None
71415	Strut	B2	17"	—	—	17.5"	25.5"	8"	—	None
71416†	Strut	B10	14.25"	—	—	14.75"	22.5"	7.75"	—	None
71417	Strut	B3	11.63"	—	—	12"	16.75"	4.75"	—	P00906
71418	Strut	B10	14"	—	—	14.38"	21.13"	6.75"	—	P00762
71419	Strut	B10	14"	—	—	14.38"	21.13"	6.75"	—	P00762
71422†	Strut	B2	13.63"	—	—	14.13"	21.88"	7.75"	—	P01371
71423†	Strut	B2	13.63"	—	—	14.13"	21.88"	7.75"	—	P01371
71424†	Strut	B2	12.01"	—	—	12.99"	20.08"	7.09"	—	P00762
71425†	Strut	B9	12.01"	—	—	12.99"	20.08"	7.09"	—	P00762
71426†	Strut	B10	13.38"	—	—	13.63"	20.5"	6.88"	—	P00762
71427†	Strut	B10	13.38"	—	—	13.63"	20.5"	6.88"	—	P00762
71433	Strut	B14	12.75"	—	—	13"	19.13"	6.13"	—	P00762
71434	Strut	B14	12.75"	—	—	13"	19.13"	6.13"	—	P00762
71435	Strut	B11	16"	—	—	16.38"	23"	6.63"	—	P00762
71436	Strut	B11	16"	—	—	16.38"	23"	6.63"	—	P00762
71437†	Strut	B10	14.64"	—	—	15.14"	21.77"	6.63"	—	P01371
71438†	Strut	B11	14.64"	—	—	15.14"	21.77"	6.63"	—	P01371
71439	Strut	B11	16.75"	—	—	18"	25.38"	7.38"	—	None
71440	Strut	B11	16.75"	—	—	18"	25.38"	7.38"	—	None
71441†	Strut	B10	15.25"	—	—	15.73"	22.6"	6.87"	—	P00762
71442†	Strut	B10	15.75"	—	—	16"	22.63"	6.63"	—	P00762
71443	Strut	B9	13.88"	—	—	14.13"	20.75"	6.63"	—	P00762
71444	Strut	B9	13.88"	—	—	14.13"	20.75"	6.63"	—	P00762
71445	Strut	B2	14.88"	—	—	15.38"	23.13"	7.75"	—	None

† Bumper Stop Unit. Dimension Shown at Bumper Contact

‡ Hydraulic Lockout Unit. Dimension Shown is Metal-to-Metal, Subtract Approximately 5/8" (.62) from the Extended Length for Start-of-Engagement.

MOUNTING & LENGTH SPECIFICATIONS

Part No.	Part Type	STRUT BODY		END CODE		LENGTHS			Spring (Rate)	Parts Pack(s)
		Type	Length	Upper	Lower	Comp.	Ext.	Trav.		
71446	Strut	B2	14.88"	—	—	15.38"	23.13"	7.75"	—	None
71447	Strut	B9	13.88"	—	—	14.13"	20.75"	6.63"	—	P00762
71448	Strut	B9	13.88"	—	—	14.13"	20.75"	6.63"	—	P00762
71451	Strut	B17	17.06"	—	—	14.48"	21.69"	7.21"	—	P00762
71452	Strut	B17	14"	—	—	14.5"	27.75"	13.25"	—	P00762
71453	Strut	B9	11.88"	—	—	15.5"	22.75"	7.25"	—	P00808
71454	Strut	B9	11.88"	—	—	15.5"	22.75"	7.25"	—	P00808
71455	Strut	B3	10"	—	—	10.25"	15.5"	5.25"	—	BE17110666
71456	Strut	B3	10"	—	—	10.25"	15.5"	5.25"	—	BE17110666
71457	Strut	B3	9.63"	—	—	9.88"	14.88"	5"	—	BE17110666
71458	Strut	B3	9.63"	—	—	9.88"	14.88"	5"	—	BE17110666
71459	Strut	B11	16.75"	—	—	18"	25.38"	7.38"	—	None
71460	Strut	B11	16.75"	—	—	18"	25.38"	7.38"	—	None
71461	Strut	B11	13.97"	—	—	14.47"	21.1"	6.63"	—	P00762
71462	Strut	B11	13.97"	—	—	14.47"	21.1"	6.63"	—	P00762
71463	Strut	B9	15"	—	—	15.25"	21.63"	6.38"	—	P00762
71464	Strut	B9	15"	—	—	15.25"	21.63"	6.38"	—	P00762
71469	Strut	B4	14.5"	—	—	15.25"	22"	6.75"	—	P00808
71470	Strut	SPEC	16.75"	—	—	17"	21.5"	4.5"	—	BE17110433
71471	Strut	SPEC	16.75"	—	—	17"	21.5"	4.5"	—	BE17110433
71475	Strut	B9	13.75"	—	—	14.25"	19.88"	5.63"	—	BE17110422
71476	Strut	B9	13.75"	—	—	14.25"	19.88"	5.63"	—	BE17110422
71479	Strut	B13	13.87"	—	—	14.37"	20.47"	6.1"	—	P00839
71480	Strut	B13	14.06"	—	—	14.37"	20.47"	6.1"	—	P00839
71483	Strut	B9	12.63"	—	—	13.63"	20"	6.38"	—	BE17110461
71484	Strut	B9	13.13"	—	—	13.63"	20"	6.38"	—	BE17110461
71485	Strut	B11	13.63"	—	—	14.13"	20.75"	6.63"	—	BE17110535
71486	Strut	SPEC	15.63"	—	—	16.13"	20.25"	4.13"	—	BE17110693
71488	Strut	SPEC	15.63"	—	—	16.13"	19.5"	3.38"	—	BE17110693
71490	Strut	B11	14.38"	—	—	14.5"	21.75"	7.25"	—	None
71491	Strut	B11	14.38"	—	—	14.5"	21.75"	7.25"	—	None
71492†	Strut	B11	10.84"	—	—	15.84"	24.49"	8.65"	—	P00808
71493†	Strut	B11	10.84"	—	—	15.84"	24.49"	8.65"	—	P00808
71494	Strut	B2	15.44"	—	—	15.9"	21.26"	5.36"	—	P01418
71495	Strut	B2	15.44"	—	—	15.9"	21.26"	5.36"	—	P01418
71496	Strut	B2	16.21"	—	—	16.71"	24.35"	7.64"	—	P00808
71497	Strut	B2	16.25"	—	—	16.71"	24.35"	7.64"	—	P00808
71498	Strut	B2	14.6"	—	—	15.26"	23.3"	8.04"	—	P00808
71499	Strut	B2	14.6"	—	—	15.26"	23.3"	8.04"	—	P00808
71504†	Strut	B4	13.27"	—	—	13.98"	20.28"	6.3"	—	BE17110533
71505†	Strut	B4	13.27"	—	—	13.98"	20.28"	6.3"	—	P00762
71511†	Strut	SPEC	16.75"	—	—	17"	22.25"	5.25"	—	P00808
71512†	Strut	SPEC	16.75"	—	—	17"	22.25"	5.25"	—	P00808
71515†	Strut	SPEC	16.75"	—	—	17"	22.25"	5.25"	—	P00808
71516†	Strut	SPEC	16.75"	—	—	17"	22.25"	5.25"	—	P00808
71523†	Strut	SPEC	16.75"	—	—	17"	21.63"	4.63"	—	BE17110434
71524†	Strut	SPEC	16.75"	—	—	17"	21.63"	4.63"	—	BE17110434
71525†	Strut	B4	14.5"	—	—	15.25"	22"	6.75"	—	P00808
71526†	Strut	B4	17"	—	—	17.13"	22.25"	5.13"	—	BE17110448
71527†	Strut	B4	17"	—	—	17.13"	22.25"	5.13"	—	BE17110448
71538†	Strut	SPEC	15.13"	—	—	16.5"	21.13"	4.63"	—	P00762
71539	Strut	SPEC	13"	—	—	13.5"	23.13"	9.63"	—	P00762
71549†	Strut	B10	12.5"	—	—	13"	19"	6"	—	P00762
71550†	Strut	B10	12.5"	—	—	13"	19"	6"	—	P00762
71551†	Strut	B11	13.63"	—	—	13.75"	21.13"	7.38"	—	P00762
71552†	Strut	B11	13.63"	—	—	13.75"	21.13"	7.38"	—	P00762
71553†	Strut	B10	12.13"	—	—	12.63"	18.75"	6.13"	—	P00839
71554†	Strut	B10	12.13"	—	—	12.63"	18.75"	6.13"	—	P00839
71555†	Strut	B11	14.38"	—	—	14.75"	20.63"	5.88"	—	P00762
71556†	Strut	B11	14.38"	—	—	14.75"	20.63"	5.88"	—	P00762
71557†	Strut	B2	13"	—	—	13.5"	19.88"	6.38"	—	P00808

† Bumper Stop Unit. Dimension Shown at Bumper Contact

‡ Hydraulic Lockout Unit. Dimension Shown is Metal-to-Metal, Subtract Approximately 5/8" (.62) from the Extended Length for Start-of-Engagement.

MOUNTING & LENGTH SPECIFICATIONS

Part No.	Part Type	STRUT BODY		END CODE		LENGTHS			Spring (Rate)	Parts Pack(s)
		Type	Length	Upper	Lower	Comp.	Ext.	Trav.		
71558†	Strut	B2	13"	—	—	13.5"	19.88"	6.38"	—	P00808
71559†	Strut	B2	15.56"	—	—	16"	23.5"	7.5"	—	P00808
71560†	Strut	B2	15.56"	—	—	16"	23.5"	7.5"	—	P00808
71562†	Strut	SPEC	8"	—	—	8.5"	13.38"	4.88"	—	P00906
71563†	Strut	SPEC	8"	—	—	8.5"	13.38"	4.88"	—	P00906
71565†	Strut	B3	9.49"	—	—	9.99"	13.33"	3.34"	—	P01095
71566	Strut	B11	12.63"	—	—	12.88"	18.75"	5.88"	—	P00762
71567	Strut	B11	12.63"	—	—	12.88"	18.75"	5.88"	—	P00762
71568†	Strut	B11	13.38"	—	—	14.25"	20.25"	6"	—	P00762
71569†	Strut	B11	13.38"	—	—	14.25"	20.25"	6"	—	P00762
71570†	Strut	B10	14.88"	—	—	16.63"	23.38"	6.75"	—	P00762
71571†	Strut	B10	14.88"	—	—	16.63"	23.38"	6.75"	—	P00762
71572†	Strut	B5	11.14"	—	—	11.46"	18.56"	7.1"	—	None
71573†	Strut	B10	15"	—	—	16"	22.63"	6.63"	—	P00762
71574†	Strut	B10	15.75"	—	—	16"	22.63"	6.63"	—	P00762
71575†	Strut	B10	12.88"	—	—	13.38"	20.5"	7.13"	—	BE17110543
71577†	Strut	B4	9.38"	—	—	9.63"	13.88"	4.25"	—	None
71578†	Strut	B2	15.52"	—	—	16.5"	24.38"	7.88"	—	None
71579†	Strut	B2	15.52"	—	—	16.5"	24.38"	7.88"	—	None
71580†	Strut	B5	11.56"	—	—	12"	18"	6"	—	None
71581†	Strut	B3	14.63"	—	—	15"	19.5"	4.5"	—	BE17110432
71582	Strut	B3	14.75"	—	—	15"	19.5"	4.5"	—	BE17110432
71583†	Strut	B3	13.38"	—	—	13.38"	18"	4.63"	—	P00906
71584†	Strut	B10	13.88"	—	—	14"	22.5"	8.5"	—	P00762
71585†	Strut	B10	13.88"	—	—	14"	22.25"	8.25"	—	P00762
71586†	Strut	B2	12.75"	—	—	13"	20"	7"	—	P00762
71587†	Strut	B2	12.75"	—	—	13"	20"	7"	—	P00762
71588†	Strut	B11	14.88"	—	—	15"	23.38"	8.38"	—	P00762
71589	Strut	B9	14.5"	—	—	15"	23.38"	8.38"	—	P00762
71590†	Strut	B7	8.25"	—	—	8.75"	15.25"	6.5"	—	P00808
71591†	Strut	B7	8.51"	—	—	8.78"	15.22"	6.74"	—	P00808
71592†	Strut	B5	11.56"	—	—	12"	18"	6"	—	None
71593	Strut	B11	16.88"	—	—	17.75"	25"	7.25"	—	P00590
71594	Strut	B11	16.88"	—	—	17.75"	25"	7.25"	—	P00590
71595†	Strut	B10	12.63"	—	—	13.13"	19.13"	6"	—	None
71596†	Strut	B10	12.63"	—	—	13.13"	19.13"	6"	—	None
71597	Strut	B9	14.25"	—	—	14.5"	21"	6.5"	—	P00762
71598	Strut	B9	14.25"	—	—	14.5"	21"	6.5"	—	P00762
71600†	Strut	B11	13.25"	—	—	13.75"	20.5"	6.75"	—	P00839
71601†	Strut	B11	13.25"	—	—	13.75"	20.5"	6.75"	—	P00839
71608†	Strut	B2	14.88"	—	—	15.38"	23.13"	7.75"	—	P00762
71609†	Strut	B2	14.88"	—	—	15.38"	23.13"	7.75"	—	P00762
71612†	Strut	B2	15"	—	—	15.5"	24"	8.5"	—	P00762
71613†	Strut	B2	15"	—	—	15.5"	24"	8.5"	—	P00762
71615†	Strut	B4	13.66"	—	—	13.81"	17.94"	4.13"	—	P00590
71616†	Strut	B4	15.88"	—	—	16"	21.88"	5.88"	—	P00590
71617†	Strut	B13	10.72"	—	—	11.22"	17.61"	6.39"	—	P01700
71618†	Strut	B13	10.72"	—	—	11.22"	17.61"	6.39"	—	P01700
71628†	Strut	B10	11.75"	—	—	12.25"	18"	5.75"	—	None
71629†	Strut	B10	11.75"	—	—	12.25"	18"	5.75"	—	None
71632†	Strut	B5	10.84"	—	—	11.47"	18.52"	7.05"	—	None
71638†	Strut	B2	12"	—	—	12.5"	18.88"	6.38"	—	P00839
71639†	Strut	B2	12"	—	—	12.5"	18.88"	6.38"	—	P00839
71642†	Strut	SPEC	13.13"	—	—	13.88"	21.25"	7.38"	—	BE17110307
71644	Strut	B2	12.13"	—	—	12.63"	18.5"	5.88"	—	P00762
71645	Strut	B2	12.13"	—	—	12.63"	18.5"	5.88"	—	P00762
71646†	Strut	B2	13"	—	—	14.25"	22"	7.75"	—	P00762
71647†	Strut	B2	13"	—	—	14.25"	22"	7.75"	—	P00762
71648†	Strut	B2	12.56"	—	—	13"	19.13"	6.13"	—	P00762
71649†	Strut	B2	12.56"	—	—	13"	19.13"	6.13"	—	P00762
71650†	Strut	B2	13.13"	—	—	13.63"	21.5"	7.88"	—	P00762

† Bumper Stop Unit. Dimension Shown at Bumper Contact

‡ Hydraulic Lockout Unit. Dimension Shown is Metal-to-Metal, Subtract Approximately 5/8" (.62) from the Extended Length for Start-of-Engagement.

MOUNTING & LENGTH SPECIFICATIONS

Part No.	Part Type	STRUT BODY		END CODE		LENGTHS			Spring (Rate)	Parts Pack(s)
		Type	Length	Upper	Lower	Comp.	Ext.	Trav.		
71651†	Strut	B2	13.13"	—	—	13.63"	21.5"	7.88"	—	P00762
71654	Strut	B2	12.38"	—	—	12.88"	18.88"	6"	—	P00762
71655	Strut	B2	12.38"	—	—	12.88"	18.88"	6"	—	P00762
71661†	Strut	B9	9.77"	—	—	10.27"	16.68"	6.41"	—	None
71662†	Strut	B12	15.03"	—	—	15.53"	23.09"	7.56"	—	P01700
71663†	Strut	B2	15.42"	—	—	15.52"	23.09"	7.57"	—	None
71664†	Strut	B5	10.56"	—	—	11"	18.5"	7.5"	—	None
71665†	Strut	B5	9.88"	—	—	10.38"	17.5"	7.13"	—	P00853
71667†	Strut	B13	10.63"	—	—	11.13"	17.38"	6.25"	—	P01455
71668†	Strut	B13	10.63"	—	—	11.13"	17.38"	6.25"	—	P01455
71669†	Strut	B3	17.41"	—	—	17.9"	26.69"	9"	—	P01456
71670	Strut	B5	10.02"	—	—	10.46"	15.42"	4.96"	—	None
71671	Strut	B2	15.42"	—	—	15.58"	21.86"	6.28"	—	P01700
71672†	Strut	B10	10.56"	—	—	11.06"	18.08"	7.02"	—	P01460
71673†	Strut	B9	12.3"	—	—	12.8"	21.18"	8.38"	—	None
71674†	Strut	B11	13.13"	—	—	13.38"	18.88"	5.5"	—	P00839
71675†	Strut	B11	13.13"	—	—	13.38"	18.88"	5.5"	—	P00839
71676†	Strut	B11	14.88"	—	—	15.38"	22.25"	6.88"	—	P00839
71677†	Strut	B11	15"	—	—	15.38"	22.25"	6.88"	—	P00839
71678†	Strut	B10	13.38"	—	—	13.88"	20.12"	6.24"	—	None
71679†	Strut	B10	13.38"	—	—	13.88"	20.12"	6.24"	—	None
71680†	Strut	B10	15.81"	—	—	16.31"	24.21"	7.9"	—	None
71681†	Strut	B10	15.81"	—	—	16.31"	24.21"	7.9"	—	None
71682†	Strut	B10	13.84"	—	—	14.34"	21.7"	7.36"	—	P00762
71683†	Strut	B10	13.84"	—	—	14.34"	21.7"	7.36"	—	P00762
71684†	Strut	B5	9.88"	—	—	10.38"	17.5"	7.13"	—	None
71685†	Strut	B5	9.63"	—	—	10.13"	16.5"	6.38"	—	None
71686†	Strut	B2	11.63"	—	—	12.13"	20.38"	8.25"	—	None
71687†	Strut	B4	12.62"	—	—	12.95"	18.98"	6.03"	—	P00762
71691†	Strut	B3	13.63"	—	—	16.63"	19.5"	2.88"	—	P00906
71693†	Strut	B2	12.25"	—	—	12.75"	19"	6.25"	—	P00839
71694†	Strut	B2	12.25"	—	—	12.75"	19"	6.25"	—	P00839
71695†	Strut	B2	13.88"	—	—	14.38"	23.13"	8.75"	—	P00762
71696†	Strut	B2	14"	—	—	14.5"	23.13"	8.63"	—	P00762
71697†	Strut	B3	12.5"	—	—	13"	17.63"	4.63"	—	BE17110417
71698†	Strut	B3	13.25"	—	—	13.75"	18.38"	4.63"	—	BE17110417
71699†	Strut	B2	13.88"	—	—	14.38"	20.63"	6.25"	—	BE17110430
71708†	Strut	B5	9.81"	—	—	10.3"	16.91"	6.61"	—	None
71716†	Strut	B1	13.56"	—	—	14"	19.5"	5.5"	—	P00589
71728†	Strut	B1	10.32"	—	—	10.25"	17.4"	7.15"	—	None
71748†	Strut	B11	13.63"	—	—	14.25"	20.63"	6.38"	—	None
71751†	Strut	B10	15.6"	—	—	16.29"	24.25"	7.96"	—	P01524
71756†	Strut	B1	13"	—	—	13.5"	20.63"	7.13"	—	P01453
71760†	Strut	B11	14.5"	—	—	15.38"	22.5"	7.13"	—	None
71771†	Strut	B5	9.97"	—	—	10.3"	16.91"	6.61"	—	None
71775	Strut	B2	12.88"	—	—	13.38"	19.5"	6.13"	—	None
71776	Strut	B2	12.88"	—	—	13.38"	19.5"	6.13"	—	None
71779†	Strut	B4	14.38"	—	—	15.13"	21"	5.88"	—	P01524
71780†	Strut	B4	14.63"	—	—	14.75"	21.13"	6.38"	—	P00590
71781†	Strut	B4	15.38"	—	—	15.88"	24.25"	8.38"	—	P00590
71795†	Strut	B8	12.38"	—	—	12.88"	18.75"	5.88"	—	BE17110372
71798†	Strut	B15	12.95"	—	—	13.8"	21"	7.2"	—	P00853
71799†	Strut	B5	12.95"	—	—	13.53"	21"	7.47"	—	P01581
71800†	Strut	B5	10.38"	—	—	10.88"	17.75"	6.88"	—	P00853
71801†	Strut	SPEC	14.68"	—	—	14.97"	22.49"	7.52"	—	None
71803†	Strut	B1	13.13"	—	—	13.63"	20.13"	6.5"	—	P01453
71805†	Strut	B2	11.88"	—	—	12.38"	18.88"	6.5"	—	P00839
71808†	Strut	SPEC	17.13"	—	—	17.38"	24.25"	6.88"	—	BE17110394
71809†	Strut	B13	10.56"	—	—	11"	17.75"	6.75"	—	P01700
71810†	Strut	B13	10.56"	—	—	11"	17.75"	6.75"	—	P01700
71814†	Strut	B5	8.88"	—	—	9.38"	16.13"	6.75"	—	None

† Bumper Stop Unit. Dimension Shown at Bumper Contact

‡ Hydraulic Lockout Unit. Dimension Shown is Metal-to-Metal, Subtract Approximately 5/8" (.62) from the Extended Length for Start-of-Engagement.

MOUNTING & LENGTH SPECIFICATIONS

Part No.	Part Type	STRUT BODY		END CODE		LENGTHS			Spring (Rate)	Parts Pack(s)
		Type	Length	Upper	Lower	Comp.	Ext.	Trav.		
71815†	Strut	B10	12.75"	—	—	13.38"	19.75"	6.38"	—	None
71816‡	Strut	B10	13.56"	—	—	14"	22.88"	8.88"	—	None
71817†	Strut	B10	13.56"	—	—	14"	22.88"	8.88"	—	None
71818‡	Strut	B2	12.13"	—	—	12.63"	18.63"	6"	—	BE17110364
71822‡	Strut	B5	10.84"	—	—	11.47"	18.52"	7.05"	—	None
71828†	Strut	B1	13.13"	—	—	13.63"	20.13"	6.5"	—	P01454
71829†	Strut	B3	11"	—	—	11.13"	15.25"	4.13"	—	P00906
71831†	Strut	B1	10"	—	—	10.5"	18.5"	8"	—	None
71837†	Strut	B2	12.88"	—	—	13"	19.25"	6.25"	—	P00928
71844†	Strut	B3	12"	—	—	12.13"	16.5"	4.38"	—	P00906
71845†	Strut	SPEC	16.09"	—	—	16.42"	20.54"	4.12"	—	P01524
71846†	Strut	B2	14"	—	—	14.5"	22.63"	8.13"	—	P00808
71847†	Strut	B2	14"	—	—	14.5"	22.63"	8.13"	—	P00808
71851†	Strut	B2	11.88"	—	—	12.38"	18"	5.63"	—	P00839
71852†	Strut	B8	12.88"	—	—	13.38"	20.25"	6.88"	—	P00839
71853†	Strut	B9	13.04"	—	—	13.54"	20.47"	6.93"	—	P00986
71854†	Strut	B10	10.34"	—	—	10.84"	17.7"	6.86"	—	P00853
71857†	Strut	B11	12.63"	—	—	13.13"	19.13"	6"	—	P00808
71858†	Strut	B11	12.63"	—	—	13.13"	19.13"	6"	—	P00808
71859†	Strut	B11	12.88"	—	—	13.38"	19.63"	6.25"	—	None
71860†	Strut	B11	12.88"	—	—	13.38"	19.63"	6.25"	—	None
71871†	Strut	B11	12.88"	—	—	13.38"	19.63"	6.25"	—	None
71872†	Strut	B11	12.88"	—	—	13.38"	19.63"	6.25"	—	None
71873†	Strut	B10	14.38"	—	—	14.88"	23.13"	8.25"	—	None
71874†	Strut	B10	14.38"	—	—	14.88"	23.13"	8.25"	—	None
71875†	Strut	B3	12.13"	—	—	13.5"	17.75"	4.25"	—	P00906
71878†	Strut	B2	11.38"	—	—	11.88"	18.38"	6.5"	—	P01524
71880†	Strut	B2	14.38"	—	—	14.5"	22.75"	8.25"	—	P01524
71888†	Strut	B9	11.75"	—	—	12.25"	18.88"	6.63"	—	None
71893†	Strut	B17	12"	—	—	12.5"	20"	7.5"	—	P00808
71894†	Strut	B17	12"	—	—	12.5"	20"	7.5"	—	P00808
71897†	Strut	SPEC	12.38"	—	—	12.75"	16.38"	3.63"	—	P01095
71898†	Strut	B11	12.13"	—	—	12.63"	18.75"	6.13"	—	P00808
71899†	Strut	B11	12.13"	—	—	12.63"	18.75"	6.13"	—	P00808
71900†	Strut	B11	13.75"	—	—	14.25"	20.25"	6"	—	None
71901†	Strut	B11	13.33"	—	—	14.21"	20.22"	6.02"	—	None
71904†	Strut	B11	14.75"	—	—	15.25"	21.88"	6.63"	—	BE17110429
71905†	Strut	B11	14.75"	—	—	15.25"	21.88"	6.63"	—	BE17110429
71918†	Strut	B2	11.75"	—	—	12.25"	17.88"	5.63"	—	P00839
71920†	Strut	B4	14.63"	—	—	14.75"	21.13"	6.38"	—	P01700
71921†	Strut	B13	10.88"	—	—	11.38"	17.5"	6.13"	—	P01700
71922†	Strut	B13	10.88"	—	—	11.38"	17.5"	6.13"	—	P01700
71924†	Strut	B17	9.94"	—	—	10.23"	17.08"	6.85"	—	P01328
71925†	Strut	B17	12.13"	—	—	12.63"	19.63"	7"	—	P01328,P01329
71926†	Strut	B13	11.24"	—	—	11.44"	17.38"	6.36"	—	P01700
71927†	Strut	B13	11.24"	—	—	11.44"	17.38"	6.36"	—	P01700
71932†	Strut	B7	8.28"	—	—	8.78"	15.22"	6.4"	—	P00808
71933	Strut	B10	13.5"	—	—	13.88"	20.5"	6.63"	—	P00986
71940	Strut	B9	13.5"	—	—	14.38"	20.88"	6.5"	—	BE17110397
71941†	Strut	B11	12.5"	—	—	13"	18.88"	5.88"	—	P00839
71942†	Strut	B11	12.5"	—	—	13"	18.88"	5.88"	—	P00839
71943†	Strut	B11	14.56"	—	—	15"	22.25"	7.25"	—	P00839
71944†	Strut	B11	14.56"	—	—	15"	22.25"	7.25"	—	P00839
71945†	Strut	B3	11.88"	—	—	12"	17.25"	5.25"	—	P00906
71946†	Strut	B3	11.88"	—	—	12"	17.25"	5.25"	—	P00906
71951†	Strut	B2	12.75"	—	—	13.25"	18.75"	5.5"	—	P00808
71952†	Strut	B2	12.75"	—	—	13.25"	18.75"	5.5"	—	P00808
71953†	Strut	B2	15.13"	—	—	15.5"	22.5"	7"	—	P00808
71954†	Strut	B9	14.93"	—	—	15.43"	22.5"	7.07"	—	P00808
71959†	Strut	B5	9.63"	—	—	10.13"	15.5"	5.38"	—	P01700
71960†	Strut	B9	13.63"	—	—	14.13"	19.25"	5.13"	—	None

† Bumper Stop Unit. Dimension Shown at Bumper Contact

‡ Hydraulic Lockout Unit. Dimension Shown is Metal-to-Metal, Subtract Approximately 5/8" (.62) from the Extended Length for Start-of-Engagement.

MOUNTING & LENGTH SPECIFICATIONS

Part No.	Part Type	STRUT BODY		END CODE		LENGTHS			Spring (Rate)	Parts Pack(s)
		Type	Length	Upper	Lower	Comp.	Ext.	Trav.		
71962†	Strut	B7	12.33"	—	—	12.83"	18.49"	5.66"	—	P00589
71963†	Strut	B7	12.38"	—	—	12.88"	18.5"	5.63"	—	P00589
71964†	Strut	B5	11.97"	—	—	13"	19.55"	6.55"	—	P00590
71966†	Strut	B8	14.25"	—	—	15"	22"	7"	—	None
71968†	Strut	B10	13.63"	—	—	14.38"	20.13"	5.75"	—	None
71969†	Strut	B10	13.63"	—	—	14.38"	20.13"	5.75"	—	None
71972†	Strut	B12	12.02"	—	—	12.43"	19.88"	7.45"	—	None
71973†	Strut	B5	10.88"	—	—	11.38"	17.75"	6.38"	—	None
71979†	Strut	B11	13.75"	—	—	13.88"	20.13"	6.25"	—	None
71980†	Strut	B11	13.75"	—	—	13.88"	20.13"	6.25"	—	None
71981	Strut	B3	13.13"	—	—	14.38"	18.5"	4.13"	—	P00905NC
71982	Strut	B3	13.13"	—	—	14.38"	18.5"	4.13"	—	P00905NC
71983†	Strut	B4	13.75"	—	—	13.88"	20.5"	6.63"	—	P00762
71984†	Strut	B4	15.88"	—	—	16.88"	26.13"	9.25"	—	P00762
71987†	Strut	B2	12.52"	—	—	13.54"	18.9"	5.36"	—	P00928
71989†	Strut	B3	12.88"	—	—	13"	18.13"	5.13"	—	P00906
71992†	Strut	B2	11.56"	—	—	12"	18.5"	6.5"	—	P01524
71993	Strut	B2	11.12"	—	—	11.91"	17.37"	5.46"	—	P01524
71994†	Strut	B2	14.38"	—	—	14.63"	22.75"	8.13"	—	P01524
72101	Strut	B10	15.44"	—	—	15.9"	20.2"	4.3"	—	P01371
72102	Strut	B17	15.44"	—	—	15.9"	20.2"	4.3"	—	P01371
72103	Strut	B17	17.24"	—	—	17.86"	26.02"	8.16"	—	P00808
72104	Strut	B17	17.24"	—	—	17.86"	26.02"	8.16"	—	P00808
72105	Strut	B10	12.25"	—	—	12.75"	18.75"	6"	—	P00762
72106	Strut	B10	12.25"	—	—	12.75"	18.75"	6"	—	P00762
72107	Strut	B10	12.25"	—	—	12.75"	18.75"	6"	—	P00762
72108	Strut	B10	12.25"	—	—	12.75"	18.75"	6"	—	P00762
72109	Strut	B10	13.75"	—	—	14.25"	19.88"	5.63"	—	None
72110	Strut	B10	13.75"	—	—	14.25"	19.88"	5.63"	—	None
72111	Strut	B9	12.38"	—	—	12.88"	19.25"	6.38"	—	P00808
72112	Strut	B9	12.38"	—	—	12.88"	19.25"	6.38"	—	P00808
72113	Strut	B2	9.99"	—	—	10.14"	16.68"	6.54"	—	None
72114†	Strut	B9	12.89"	—	—	13.39"	20.43"	7.04"	—	None
72115†	Strut	B9	12.89"	—	—	13.39"	20.43"	7.04"	—	None
72116	Strut	B11	13.99"	—	—	13.6"	20.64"	7.04"	—	P00808
72117†	Strut	B11	12.97"	—	—	13.47"	20.64"	7.17"	—	P00808
72118	Strut	B18	12.09"	—	—	12.59"	19.1"	6.51"	—	None
72119	Strut	B18	12.09"	—	—	12.59"	19.1"	6.51"	—	None
72120	Strut	B11	13"	—	—	14"	19.38"	5.38"	—	P00762
72121	Strut	B11	13"	—	—	14"	19.38"	5.38"	—	P00762
72122	Strut	B4	13.23"	—	—	13.44"	20.08"	6.64"	—	P00590
72123	Strut	B4	12.38"	—	—	12.5"	17.13"	4.63"	—	P00906
72124	Strut	B13	12.1"	—	—	12.6"	19.1"	6.5"	—	P00762
72125	Strut	B13	12.1"	—	—	12.6"	19.1"	6.5"	—	P00762
72126	Strut	B10	15.38"	—	—	15.75"	22.88"	7.13"	—	P00808
72127	Strut	B10	15.38"	—	—	15.75"	22.88"	7.13"	—	P00808
72130	Strut	B18	12.94"	—	—	13.38"	20.8"	7.42"	—	None
72135	Strut	B17	13.88"	—	—	14.37"	21.5"	7.13"	—	P00762
72136	Strut	B17	13.88"	—	—	14.37"	21.5"	7.13"	—	P00762
72138	Strut	B9	15.59"	—	—	16.09"	21.63"	5.54"	—	P00590
72139	Strut	B9	13"	—	—	13.38"	19.38"	6"	—	P00762
72140	Strut	B9	13"	—	—	13.38"	19.38"	6"	—	P00762
72141	Strut	B9	12.25"	—	—	14.25"	21"	6.75"	—	P00762
72142	Strut	B9	11"	—	—	13"	21"	8"	—	P00762
72143†	Strut	B14	14.72"	—	—	14.53"	21.1"	6.6"	—	P00762
72144†	Strut	B17	13.9"	—	—	14.4"	21.1"	6.7"	—	P00762
72147†	Strut	B9	12.85"	—	—	13.35"	19.11"	5.76"	—	P00762
72148†	Strut	B9	12.85"	—	—	13.35"	19.11"	5.76"	—	P00762
72156	Strut	B4	11.63"	—	—	12.13"	17"	4.88"	—	P00906
72157	Strut	B4	11.63"	—	—	12.13"	17"	4.88"	—	P00906
72158	Strut	B16	14.48"	—	—	14.98"	21.43"	6.45"	—	P00762

† Bumper Stop Unit. Dimension Shown at Bumper Contact

‡ Hydraulic Lockout Unit. Dimension Shown is Metal-to-Metal, Subtract Approximately 5/8" (.62) from the Extended Length for Start-of-Engagement.

MOUNTING & LENGTH SPECIFICATIONS

Part No.	Part Type	STRUT BODY		END CODE		LENGTHS			Spring (Rate)	Parts Pack(s)
		Type	Length	Upper	Lower	Comp.	Ext.	Trav.		
72159	Strut	SS1	9.63"	—	—	10.13"	15"	4.88"	—	P00762
72162	Strut	B12	14.26"	—	—	14.76"	23.82"	9.06"	—	P00762
72163	Strut	B12	14.26"	—	—	14.76"	23.82"	9.06"	—	P00762
72170	Strut	B17	13.95"	—	—	14.45"	21.34"	6.89"	—	P00808
72171	Strut	B18	13.95"	—	—	14.45"	21.34"	6.89"	—	P00808
72177	Strut	B9	9.88"	—	—	10.33"	16.63"	6.3"	—	None
72178	Strut	B9	13.12"	—	—	13.62"	20.71"	7.09"	—	P00808
72179†	Strut	B11	11.05"	—	—	11.55"	17.6"	6.05"	—	P01460
72183‡	Strut	B11	13.2"	—	—	13.7"	19.51"	5.81"	—	None
72184†	Strut	B11	13.2"	—	—	13.7"	19.51"	5.81"	—	None
72185†	Strut	B14	13.65"	—	—	13.38"	19.88"	6.5"	—	P00762
72186†	Strut	B14	13.65"	—	—	13.38"	19.88"	6.5"	—	P00762
72191	Strut	B11	13.38"	—	—	14"	20.38"	6.38"	—	P00762
72192	Strut	B11	13.38"	—	—	14"	20.38"	6.38"	—	P00762
72193	Strut	B11	14.25"	—	—	14.88"	22.25"	7.38"	—	P00762
72194	Strut	B11	14.38"	—	—	14.88"	22.38"	7.5"	—	P00762
72195	Strut	SS4	13.47"	—	—	13.97"	19.09"	5.12"	—	P01523
72199†	Strut	B11	13.27"	—	—	11.55"	17.91"	6.36"	—	P01460
72200	Strut	B11	12.63"	—	—	13.75"	20.5"	6.75"	—	P01460
72201	Strut	B11	14.88"	—	—	15.38"	22"	6.63"	—	None
72202	Strut	B11	14.88"	—	—	15.38"	22"	6.63"	—	None
72203†	Strut	B11	9.71"	—	—	10.57"	17.2"	6.63"	—	P00590
72205†	Strut	B17	14"	—	—	14.5"	21.75"	7.25"	—	P01418
72206†	Strut	B10	13.5"	—	—	15"	21.75"	6.75"	—	P01418
72207	Strut	B11	15.47"	—	—	15.97"	24.49"	8.52"	—	P00808
72208	Strut	B9	12"	—	—	16.38"	24.5"	8.13"	—	P00808
72209†	Strut	B13	12.38"	—	—	12.87"	20.94"	8.07"	—	P00590
72210†	Strut	B10	14.84"	—	—	12.87"	20.94"	8.07"	—	P00590
72211	Strut	B17	16.08"	—	—	16.95"	23.72"	6.77"	—	P01418
72212	Strut	B17	16.08"	—	—	16.95"	23.72"	6.77"	—	P01418
72213	Strut	B17	17.01"	—	—	17.32"	24.31"	6.99"	—	P00808
72214	Strut	B17	17.01"	—	—	17.32"	24.31"	6.99"	—	P00808
72215	Strut	B9	14.29"	—	—	15.39"	22.91"	7.52"	—	P00808
72216	Strut	B9	14.29"	—	—	15.39"	22.91"	7.52"	—	P00808
72217†	Strut	B13	12.07"	—	—	12.57"	20.71"	8.14"	—	P01460
72218†	Strut	B13	12.07"	—	—	12.57"	20.71"	8.14"	—	P01460
72219	Strut	B12	15.22"	—	—	14.97"	21.4"	6.43"	—	P00762
72220	Strut	B12	15.22"	—	—	14.97"	21.4"	6.43"	—	P00762
72221	Strut	B9	15.9"	—	—	15.75"	23.33"	7.58"	—	P00762
72222	Strut	B9	15.9"	—	—	15.75"	23.33"	7.58"	—	P00762
72229	Strut	B9	13.98"	—	—	14.48"	21.69"	7.21"	—	P00762
72230	Strut	B9	13.98"	—	—	14.48"	21.69"	7.21"	—	P00762
72231†	Strut	B13	9.64"	—	—	10.14"	16.68"	6.54"	—	None
72236	Strut	B11	15.8"	—	—	16.54"	23.82"	7.28"	—	P01418
72237	Strut	B10	16"	—	—	16.54"	23.82"	7.28"	—	P01418
72238	Strut	B13	12.88"	—	—	13.38"	19.09"	5.71"	—	P00762
72239	Strut	B13	12.88"	—	—	13.38"	19.09"	5.71"	—	P00762
72240	Strut	B11	13.12"	—	—	13.62"	20.49"	6.87"	—	P00762
72241	Strut	B9	13.12"	—	—	13.62"	20.49"	6.87"	—	P00762
72242	Strut	B9	15.21"	—	—	15.71"	21.61"	5.91"	—	P00762
72243	Strut	B9	15.21"	—	—	15.71"	21.61"	5.91"	—	P00762
72244	Strut	B3	12.13"	—	—	12.6"	16.58"	3.98"	—	P00906
72245	Strut	B11	14.24"	—	—	14.72"	20.59"	5.87"	—	P00762
72246	Strut	B11	13.22"	—	—	13.72"	18.96"	5.24"	—	P00762
72247	Strut	B11	13.22"	—	—	13.72"	18.96"	5.24"	—	P00762
72248†	Strut	SS6	19.33"	—	—	19.83"	24.98"	5.15"	—	P01522
72250	Strut	SPEC	18.95"	—	—	19.45"	23.94"	4.49"	—	P00762
72251	Strut	SPEC	18.95"	—	—	19.45"	23.94"	4.49"	—	P00762
72254	Strut	B3	11.84"	—	—	12.34"	17.5"	5.16"	—	P01524
72257†	Strut	B4	14.22"	—	—	13.69"	19.96"	6.27"	—	P00762
72258	Strut	B4	14.22"	—	—	14"	20.13"	6.13"	—	P00762

† Bumper Stop Unit. Dimension Shown at Bumper Contact

‡ Hydraulic Lockout Unit. Dimension Shown is Metal-to-Metal, Subtract Approximately 5/8" (.62) from the Extended Length for Start-of-Engagement.

MOUNTING & LENGTH SPECIFICATIONS

Part No.	Part Type	STRUT BODY		END CODE		LENGTHS			Spring (Rate)	Parts Pack(s)
		Type	Length	Upper	Lower	Comp.	Ext.	Trav.		
72261	Strut	B4	13.04"	—	—	13.54"	18.01"	4.47"	—	P01523
72263	Strut	B4	11.75"	—	—	12.25"	18.94"	6.69"	—	P00762
72264	Strut	B4	11.75"	—	—	12.25"	18.94"	6.69"	—	P00762
72265	Strut	B11	14.63"	—	—	15.13"	21"	5.88"	—	BE17110787
72266	Strut	B11	14.63"	—	—	15.13"	21"	5.88"	—	BE17110787
72267†	Strut	B9	14.54"	—	—	15.04"	22.21"	7.17"	—	P00762
72268†	Strut	B9	14.54"	—	—	15.04"	22.21"	7.17"	—	P00762
72269	Strut	B18	14.05"	—	—	14.55"	21.85"	7.3"	—	P00590
72270	Strut	B18	14.05"	—	—	14.55"	21.85"	7.3"	—	P00590
72271	Strut	B9	13.75"	—	—	14.25"	21.56"	7.31"	—	P00762
72272	Strut	B9	13.75"	—	—	14.25"	21.56"	7.31"	—	P00762
72275	Strut	B11	14.17"	—	—	15.12"	20.98"	5.86"	—	P00808
72276	Strut	B11	14.17"	—	—	15.12"	20.98"	5.86"	—	P00808
72278	Strut	B9	9.77"	—	—	10.27"	16.68"	6.41"	—	None
72281	Strut	B3	13.72"	—	—	12.91"	16.56"	3.65"	—	P00906
72282	Strut	B11	13.8"	—	—	14.3"	20.15"	5.85"	—	None
72283	Strut	B11	13.8"	—	—	14.3"	20.15"	5.85"	—	None
72284	Strut	B11	9.93"	—	—	10.43"	17.36"	6.93"	—	P00762
72285	Strut	B11	9.93"	—	—	10.43"	17.36"	6.93"	—	P00762
72286	Strut	B11	9.93"	—	—	10.43"	17.36"	6.93"	—	P00762
72287	Strut	B11	9.93"	—	—	10.43"	17.36"	6.93"	—	P00762
72288	Strut	B9	14.95"	—	—	15.45"	21.54"	6.09"	—	P00762
72289	Strut	B9	14.95"	—	—	15.45"	21.54"	6.09"	—	P00762
72290	Strut	B12	12.06"	—	—	12.56"	18.25"	5.69"	—	P00762
72291	Strut	B12	12.06"	—	—	12.56"	18.25"	5.69"	—	P00762
72292	Strut	SS4	14.81"	—	—	15.44"	21.63"	6.19"	—	P01746
72293	Strut	SS2	16.13"	—	—	16.56"	19.5"	2.94"	—	P01611
72294	Strut	SS3	13.13"	—	—	13.52"	19.36"	5.84"	—	P01611
72295†	Strut	B11	13.11"	—	—	13.39"	20.12"	6.73"	—	P00808
72296†	Strut	B11	13.11"	—	—	13.39"	20.12"	6.73"	—	P00808
72297	Strut	B10	12.44"	—	—	12.94"	19.25"	6.31"	—	P00762
72298	Strut	B10	12.44"	—	—	12.94"	19.25"	6.31"	—	P00762
72299	Strut	B9	16.19"	—	—	16.69"	21.44"	4.75"	—	P00762
72300	Strut	B9	16.19"	—	—	16.69"	21.44"	4.75"	—	P00762
72301	Strut	B9	12.81"	—	—	13.31"	19.69"	6.38"	—	P00762
72302	Strut	B9	12.81"	—	—	13.31"	19.69"	6.38"	—	P00762
72303	Strut	B9	13.81"	—	—	14.31"	22.25"	7.94"	—	P00762
72304	Strut	B9	10.79"	—	—	13.03"	19.4"	6.38"	—	P00762
72305	Strut	B10	12.75"	—	—	13.19"	19.81"	6.63"	—	P00762
72306	Strut	B10	12.69"	—	—	13.19"	19.81"	6.63"	—	P762
72307†	Strut	B2	14.07"	—	—	14.57"	21.5"	6.93"	—	P01418
72308†	Strut	B2	14.07"	—	—	14.57"	21.5"	6.93"	—	P01418
72309	Strut	B2	15.5"	—	—	16"	24.06"	8.06"	—	P00808
72310	Strut	B2	15.5"	—	—	16"	24.06"	8.06"	—	P00808
72311	Strut	B4	14.88"	—	—	15.38"	21.75"	6.38"	—	BE17110546
72312	Strut	B5	14.88"	—	—	15.38"	21.75"	6.38"	—	BE17110753
72313	Strut	B4	9.06"	—	—	9.5"	14.06"	4.56"	—	P00838
72314	Strut	B10	9"	—	—	9.5"	14.06"	4.56"	—	P00838
72315	Strut	B4	11.69"	—	—	12.25"	18.69"	6.44"	—	P00762
72316	Strut	B5	11.69"	—	—	12.19"	18.69"	6.5"	—	P00762
72317	Strut	B11	15"	—	—	15.63"	22.13"	6.5"	—	P00762
72318	Strut	B11	15"	—	—	15.63"	22.13"	6.5"	—	P00762
72319	Strut	B11	14.88"	—	—	15.38"	23.69"	8.31"	—	P00762
72320	Strut	B11	14.88"	—	—	15.38"	23.69"	8.31"	—	P00762
72321	Strut	B9	12.94"	—	—	13.44"	16.69"	3.25"	—	None
72322	Strut	B4	11.75"	—	—	12.31"	16.69"	4.38"	—	P00906
72324	Strut	SS2	16.56"	—	—	17.19"	24.75"	7.56"	—	P00906
72327	Strut	B9	13.56"	—	—	14.06"	19.5"	5.44"	—	P01371
72328	Strut	B9	13.56"	—	—	14.06"	19.5"	5.44"	—	P01371
72331	Strut	SS2	13.13"	—	—	13.63"	20.69"	7.06"	—	P00906
72332	Strut	B10	11.63"	—	—	12.06"	19.63"	7.56"	—	P00762

† Bumper Stop Unit. Dimension Shown at Bumper Contact

‡ Hydraulic Lockout Unit. Dimension Shown is Metal-to-Metal, Subtract Approximately 5/8" (.62) from the Extended Length for Start-of-Engagement.

MOUNTING & LENGTH SPECIFICATIONS

Part No.	Part Type	STRUT BODY		END CODE		LENGTHS			Spring (Rate)	Parts Pack(s)
		Type	Length	Upper	Lower	Comp.	Ext.	Trav.		
72333	Strut	B11	11.56"	—	—	12.06"	18.88"	6.81"	—	P00762
72336	Strut	B2	12.56"	—	—	13.06"	19.81"	6.75"	—	None
72337	Strut	B11	12.5"	—	—	13.06"	19.81"	6.75"	—	None
72339	Strut	B9	10.19"	—	—	10.69"	15.94"	5.25"	—	P00808
72340	Strut	B9	10.19"	—	—	10.69"	15.94"	5.25"	—	P00808
72341	Strut	SS2	17.69"	—	—	18.19"	21.88"	3.69"	—	None
72342	Strut	SS2	16.44"	—	—	16.94"	21.63"	4.69"	—	None
72343	Strut	B9	16.77"	—	—	14.94"	21.25"	6.31"	—	None
72344	Strut	B9	14.44"	—	—	14.94"	21.25"	6.31"	—	None
72345	Strut	B9	14.5"	—	—	15"	20.25"	5.25"	—	None
72346	Strut	B9	14.13"	—	—	14.63"	21.56"	6.94"	—	None
72347	Strut	B9	14.13"	—	—	14.63"	21.56"	6.94"	—	None
72348	Strut	B9	14.13"	—	—	14.63"	21.56"	6.94"	—	None
72349	Strut	B9	14.31"	—	—	14.81"	21.63"	6.81"	—	None
72350	Strut	B9	14.31"	—	—	14.81"	21.63"	6.81"	—	None
72351	Strut	B9	14.38"	—	—	14.88"	18.94"	4.06"	—	None
72352	Strut	B11	14.38"	—	—	14.88"	18.94"	4.06"	—	None
72355	Strut	B9	13.81"	—	—	14.31"	21.56"	7.25"	—	None
72356	Strut	B11	13.81"	—	—	14.31"	21.56"	7.25"	—	None
72357	Strut	B11	13.44"	—	—	13.94"	20.5"	6.56"	—	P01418
72358	Strut	B11	13.5"	—	—	14"	20.5"	0.26"	—	P01418
72359	Strut	B11	10.79"	—	—	13.03"	19.4"	6.1"	—	None
72360	Strut	B11	10.79"	—	—	13.03"	19.82"	6.79"	—	None
72362	Strut	SS4	14.44"	—	—	14.94"	19.06"	4.13"	—	P01607
72363	Strut	B10	14.5"	—	—	16"	23.31"	7.31"	—	P01418
72364	Strut	B10	14.5"	—	—	16"	23.31"	7.31"	—	P01418
72365	Strut	B10	16.38"	—	—	16.88"	23.63"	6.75"	—	P01418
72366	Strut	B10	16.38"	—	—	16.88"	23.63"	6.75"	—	P01418
72367†	Strut	B12	13.04"	—	—	13.54"	20.08"	6.54"	—	None
72368	Strut	B12	13.04"	—	—	13.54"	20.08"	6.54"	—	None
72369	Strut	B9	15.88"	—	—	16.38"	21.63"	5.25"	—	None
72370	Strut	B11	15.88"	—	—	16.38"	21.63"	5.25"	—	None
72371	Strut	B9	11.81"	—	—	12.31"	17.81"	5.5"	—	None
72372	Strut	B9	11.81"	—	—	12.31"	17.81"	5.5"	—	None
72373	Strut	B11	14.59"	—	—	14.29"	21.77"	7.48"	—	None
72374	Strut	B11	14.59"	—	—	14.29"	21.77"	7.48"	—	None
72378†	Strut	B9	12.6"	—	—	13.1"	19.8"	6.7"	—	P00762
72379†	Strut	B11	12.6"	—	—	13.1"	19.8"	6.7"	—	P00762
72382	Strut	B9	17.44"	—	—	17.94"	24.94"	7"	—	None
72383	Strut	B9	17.44"	—	—	17.94"	24.94"	7"	—	None
72384	Strut	B11	15.94"	—	—	16.44"	22.06"	5.63"	—	P00808
72385	Strut	B10	15.56"	—	—	16.06"	22.06"	6"	—	P00808
72390	Strut	B10	12.75"	—	—	13.25"	20.59"	7.34"	—	P01418
72391	Strut	B10	12.75"	—	—	13.25"	20.59"	7.34"	—	P01418
72392	Strut	B9	13.13"	—	—	13.63"	17.43"	3.8"	—	None
72393	Strut	B9	13.13"	—	—	13.63"	17.43"	3.8"	—	None
72394	Strut	SS2	12.06"	—	—	12.56"	18.82"	6.26"	—	None
72397	Strut	SS2	12.13"	—	—	12.63"	19.56"	6.94"	—	None
72398	Strut	SS1	12.06"	—	—	12.56"	18.31"	5.75"	—	None
72399	Strut	SS1	11.5"	—	—	12"	17.44"	5.44"	—	None
72400	Strut	SS2	10.69"	—	—	11.19"	13.25"	2.06"	—	None
72401	Strut	SS2	11.74"	—	—	12.44"	18.98"	6.54"	—	P00906
72408	Strut	SS4	19.33"	—	—	19.83"	24.98"	5.15"	—	P01522
72410	Strut	B9	14.13"	—	—	14.63"	20.69"	6.06"	—	None
72411	Strut	B9	14.13"	—	—	14.63"	20.69"	6.06"	—	None
72412	Strut	B9	15.88"	—	—	16.38"	23.88"	7.5"	—	None
72413	Strut	B9	15.88"	—	—	16.38"	25.88"	9.5"	—	None
72414	Strut	B9	15.88"	—	—	16.38"	23.88"	7.5"	—	None
72415	Strut	B9	15.88"	—	—	16.38"	23.88"	7.5"	—	None
72416	Strut	B9	15.88"	—	—	16.38"	23.88"	7.5"	—	None
72417	Strut	B9	15.88"	—	—	16.38"	23.88"	7.5"	—	None

† Bumper Stop Unit. Dimension Shown at Bumper Contact

‡ Hydraulic Lockout Unit. Dimension Shown is Metal-to-Metal, Subtract Approximately 5/8" (.62) from the Extended Length for Start-of-Engagement.

MOUNTING & LENGTH SPECIFICATIONS

Part No.	Part Type	STRUT BODY		END CODE		LENGTHS			Spring (Rate)	Parts Pack(s)
		Type	Length	Upper	Lower	Comp.	Ext.	Trav.		
72418	Strut	B9	15.19"	—	—	15.69"	22.88"	7.19"	—	P00762
72421	Strut	B9	14.13"	—	—	14.63"	20.69"	6.06"	—	None
72422	Strut	B9	14.13"	—	—	14.63"	20.69"	6.06"	—	None
72423	Strut	B9	15.19"	—	—	15.69"	22.75"	7.06"	—	None
72424	Strut	B9	15.06"	—	—	15.56"	22.75"	7.19"	—	None
72425	Strut	B9	14.94"	—	—	15.44"	21.13"	5.69"	—	None
72426	Strut	B9	14.94"	—	—	15.44"	20.75"	5.31"	—	None
72427	Strut	B9	14.19"	—	—	14.63"	20.69"	6.06"	—	None
72428	Strut	B9	14.13"	—	—	14.63"	20.69"	6.06"	—	None
72429	Strut	B11	16.38"	—	—	16.88"	21.94"	5.06"	—	None
72430	Strut	B11	16.44"	—	—	16.94"	21.94"	5"	—	None
72431	Strut	B9	13.81"	—	—	14.31"	21.31"	7"	—	None
72432	Strut	B9	13.79"	—	—	14.29"	21.29"	7"	—	None
72433	Strut	B18	14.69"	—	—	15.19"	20.13"	4.94"	—	None
72434	Strut	B18	14.7"	—	—	15.2"	20.16"	4.95"	—	None
72435	Strut	B18	14.75"	—	—	15.25"	20.19"	4.94"	—	None
72436	Strut	B18	14.75"	—	—	15.25"	20.19"	4.94"	—	None
72437	Strut	B11	15.25"	—	—	15.75"	20.94"	5.19"	—	None
72438	Strut	B11	15.25"	—	—	15.75"	20.94"	5.19"	—	None
72439	Strut	B9	14.19"	—	—	14.63"	20.69"	6.06"	—	None
72440	Strut	B9	14.13"	—	—	14.63"	20.69"	6.06"	—	None
72441	Strut	B9	15"	—	—	15.5"	21.56"	6.06"	—	None
72442	Strut	B9	15"	—	—	15.5"	21.56"	6.06"	—	None
72443	Strut	B9	16.06"	—	—	16.56"	23.38"	6.81"	—	None
72444	Strut	B11	16.05"	—	—	16.64"	25.36"	8.72"	—	None
72445	Strut	B9	17.44"	—	—	17.94"	25.31"	7.38"	—	None
72446	Strut	B9	17.44"	—	—	17.94"	25.31"	7.38"	—	None
72448	Strut	B9	13.55"	—	—	13.84"	20.47"	6.63"	—	None
72449	Strut	B9	13.55"	—	—	13.84"	20.47"	6.63"	—	None
72450	Strut	B1	14.47"	—	—	14.97"	22.36"	7.39"	—	None
72451	Strut	B1	14.47"	—	—	14.97"	22.36"	7.39"	—	None
72455	Strut	B11	15.84"	—	—	16.34"	24.28"	7.94"	—	None
72456	Strut	B11	15.84"	—	—	16.34"	24.28"	7.94"	—	None
72457	Strut	B10	13.16"	—	—	13.66"	20.22"	6.56"	—	None
72458	Strut	B10	13.16"	—	—	13.66"	20.22"	6.56"	—	None
72464	Strut	B11	13.88"	—	—	14.38"	21.38"	7"	—	None
72465	Strut	B11	13.88"	—	—	14.38"	21.38"	7"	—	None
72466	Strut	B11	13.33"	—	—	13.83"	17.64"	3.81"	—	None
72467	Strut	B11	13.33"	—	—	13.83"	17.64"	3.81"	—	None
72468	Strut	B11	13.33"	—	—	13.83"	19.17"	5.34"	—	None
72469	Strut	B11	13.38"	—	—	13.88"	19.19"	5.31"	—	None
72471	Strut	B12	15.06"	—	—	15.56"	23.13"	7.56"	—	P01700
72474	Strut	SS4	19.49"	—	—	21.1"	27.48"	6.38"	—	BE17110824
72476	Strut	SPEC	20.79"	—	—	21.38"	26.3"	4.92"	—	P01363
72477	Strut	SPEC	20.79"	—	—	21.38"	26.3"	4.92"	—	P01363
72478	Strut	SS2	14.25"	—	—	15.43"	21.3"	5.87"	—	P01363
72479	Strut	B9	12.99"	—	—	14.33"	20.43"	6.1"	—	BE17110589
72480	Strut	B4	10.98"	—	—	11.02"	16.46"	5.44"	—	BE17110613
72481	Strut	B4	10.98"	—	—	11.02"	16.46"	5.44"	—	BE17110613
72482	Strut	SS2	11.5"	—	—	11.61"	16.42"	4.81"	—	BE17110715
72483	Strut	B10	16.61"	—	—	17.15"	23.76"	6.61"	—	P01418
72484	Strut	B10	16.61"	—	—	17.15"	23.76"	6.61"	—	P01418
72485†	Strut	B14	18.74"	—	—	18.96"	26.34"	7.38"	—	P00808
72486†	Strut	B14	18.74"	—	—	18.96"	26.34"	7.38"	—	P00808
72489†	Strut	B14	12.36"	—	—	17.42"	24.55"	7.13"	—	P00808
72490†	Strut	B14	12.36"	—	—	17.42"	24.55"	7.13"	—	P00808
72491	Strut	B11	11.67"	—	—	12.16"	20.55"	8.39"	—	None
72492	Strut	B11	11.67"	—	—	12.16"	20.55"	8.39"	—	None
72493	Strut	B9	16.68"	—	—	17.2"	25.72"	8.52"	—	P01371
72494	Strut	B9	16.68"	—	—	17.2"	25.72"	8.52"	—	P01371
72495	Strut	SS2	10.52"	—	—	11.02"	15.55"	4.53"	—	P00906

† Bumper Stop Unit. Dimension Shown at Bumper Contact

‡ Hydraulic Lockout Unit. Dimension Shown is Metal-to-Metal, Subtract Approximately 5/8" (.62) from the Extended Length for Start-of-Engagement.

MOUNTING & LENGTH SPECIFICATIONS

Part No.	Part Type	STRUT BODY		END CODE		LENGTHS			Spring (Rate)	Parts Pack(s)
		Type	Length	Upper	Lower	Comp.	Ext.	Trav.		
72496	Strut	SS2	13.39"	—	—	13.89"	21.34"	7.45"	—	P00906
72497	Strut	SS2	10.52"	—	—	11.02"	15.55"	4.53"	—	P00906
72498	Strut	B9	13.48"	—	—	13.98"	19.84"	5.86"	—	None
72499	Strut	B9	13.48"	—	—	13.98"	19.84"	5.86"	—	None
72501	Strut	SS2	10.44"	—	—	10.94"	16.3"	5.36"	—	None
72502	Strut	B9	13.28"	—	—	13.78"	20.08"	6.3"	—	None
72503	Strut	B9	13.28"	—	—	13.78"	20.08"	6.3"	—	None
72504	Strut	B11	13.81"	—	—	14.31"	21.56"	7.25"	—	None
72505	Strut	B11	13.81"	—	—	14.31"	21.56"	7.25"	—	None
72506	Strut	SS4	17.61"	—	—	18.11"	21.68"	3.57"	—	None
72507	Strut	SS4	17.61"	—	—	18.11"	21.68"	3.57"	—	None
72508	Strut	SS2	11.47"	—	—	11.97"	17.4"	5.43"	—	None
72509	Strut	B11	11.96"	—	—	12.46"	18.81"	6.35"	—	P00762
72510	Strut	B11	11.96"	—	—	12.46"	18.81"	6.35"	—	P00762
72511	Strut	SS2	13.56"	—	—	14.01"	21.41"	7.4"	—	P00906
72515†	Strut	B11	13.62"	—	—	14.12"	19.86"	5.74"	—	None
72516‡	Strut	B12	13.62"	—	—	14.12"	19.86"	5.74"	—	None
72517	Strut	SS4	12.94"	—	—	13.44"	18.39"	4.95"	—	P01630, P01650
72518†	Strut	B9	10.77"	—	—	11.27"	19.12"	7.85"	—	None
72522	Strut	B1	11.39"	—	—	11.89"	18.33"	6.44"	—	P00762
72523	Strut	B1	11.39"	—	—	11.89"	18.33"	6.44"	—	P00762
72524†	Strut	B14	12.59"	—	—	13.39"	20.04"	6.65"	—	P00762
72525†	Strut	B14	12.59"	—	—	13.39"	20.04"	6.65"	—	P00762
72526†	Strut	B9	13.02"	—	—	13.52"	21.03"	7.51"	—	P00590
72527†	Strut	B10	13.02"	—	—	13.52"	21.03"	7.51"	—	P00590
72528†	Strut	B18	13.22"	—	—	13.72"	19.51"	5.79"	—	None
72529	Strut	B18	13.22"	—	—	13.72"	19.51"	5.79"	—	None
72530†	Strut	B4	10.48"	—	—	10.98"	18.11"	7.13"	—	P00590
72531†	Strut	B4	10.46"	—	—	10.96"	18.11"	7.15"	—	P00590
72532†	Strut	B4	14.35"	—	—	12.1"	19.22"	7.12"	—	P00590
72533†	Strut	B4	13.95"	—	—	14.45"	21.81"	7.36"	—	P00590
72534†	Strut	B4	11.45"	—	—	11.95"	19.22"	7.27"	—	P01697
72535†	Strut	B4	11.45"	—	—	11.95"	19.22"	7.27"	—	P01697
72536†	Strut	B11	14.29"	—	—	14.79"	22.18"	7.39"	—	P00762
72537†	Strut	B11	14.29"	—	—	14.79"	22.18"	7.39"	—	P00762
72538†	Strut	SS1	11.38"	—	—	11.88"	18.57"	6.69"	—	P01684
72539†	Strut	SPEC	12.08"	—	—	12.58"	18.12"	5.54"	—	P01685
72540†	Strut	B11	15.11"	—	—	15.61"	22.13"	6.52"	—	P00590
72541†	Strut	B11	13.37"	—	—	13.87"	22.44"	8.57"	—	P00762
72542†	Strut	B11	13.37"	—	—	13.87"	22.44"	8.57"	—	P00762
72544†	Strut	B11	12.89"	—	—	13.39"	20.03"	6.64"	—	P00762
72545†	Strut	B11	12.89"	—	—	13.39"	20.03"	6.64"	—	P00762
72546	Strut	SPEC	26.41"	—	—	26.91"	30.69"	3.78"	—	P01748
72547	Strut	B4	11.98"	—	—	12.48"	19.21"	6.73"	—	P01418
72548	Strut	B4	12.17"	—	—	12.48"	19.21"	6.73"	—	P01418
72549†	Strut	B3	14.37"	—	—	15.39"	21.77"	6.38"	—	BE17110753
72560†	Strut	B9	13.35"	—	—	13.85"	20.67"	6.82"	—	P00762
72561†	Strut	B9	13.35"	—	—	13.85"	20.67"	6.82"	—	P00762
72562†	Strut	B4	9.49"	—	—	9.99"	15.35"	5.36"	—	P00906
72563	Strut	B4	11.02"	—	—	11.52"	16.35"	4.83"	—	P00762, P00906
72565	Strut	B9	12.97"	—	—	13.47"	19.88"	6.41"	—	None
72566	Strut	B9	12.97"	—	—	13.47"	19.88"	6.41"	—	None
72567	Strut	SS2	9.98"	—	—	10.48"	16.26"	5.78"	—	None
72568†	Strut	B4	13.04"	—	—	13.54"	19.07"	5.53"	—	P01523
72569	Strut	B4	13.04"	—	—	13.54"	19.07"	5.53"	—	P01523
72571	Strut	B4	10.91"	—	—	11.07"	13.15"	2.08"	—	None
72572	Strut	B4	10.91"	—	—	11.07"	13.15"	2.08"	—	None
72576†	Strut	B4	11.44"	—	—	11.94"	18.1"	6.16"	—	P00590
72577†	Strut	B4	11.44"	—	—	11.94"	18.1"	6.16"	—	P00590
72578	Strut	B4	12.1"	—	—	12.6"	16.32"	3.72"	—	None
72580	Strut	SS2	16.08"	—	—	16.53"	19.4"	2.87"	—	None

† Bumper Stop Unit. Dimension Shown at Bumper Contact

‡ Hydraulic Lockout Unit. Dimension Shown is Metal-to-Metal, Subtract Approximately 5/8" (.62) from the Extended Length for Start-of-Engagement.

MOUNTING & LENGTH SPECIFICATIONS

Part No.	Part Type	STRUT BODY		END CODE		LENGTHS			Spring (Rate)	Parts Pack(s)
		Type	Length	Upper	Lower	Comp.	Ext.	Trav.		
72581	Strut	SS2	16.08"	—	—	16.53"	19.4"	2.87"	—	None
72585†	Strut	B11	13.31"	—	—	13.81"	20.76"	6.95"	—	P00762
72586†	Strut	B11	13.31"	—	—	13.81"	20.76"	6.95"	—	P00762
72587	Strut	B11	13.37"	—	—	13.66"	20.66"	7"	—	P00762
72588	Strut	B11	13.37"	—	—	13.66"	20.66"	7"	—	P00762
72589	Strut	B11	10.3"	—	—	10.8"	17.31"	6.51"	—	None
72590	Strut	B11	11.02"	—	—	11.52"	17.65"	6.13"	—	None
72591	Strut	B11	11.72"	—	—	12.22"	18.74"	6.52"	—	None
72593	Strut	B11	10.27"	—	—	10.77"	17.2"	6.43"	—	P01700
72594†	Strut	SS1	11.3"	—	—	11.8"	18.57"	6.77"	—	P01684
72595†	Strut	SPEC	12.37"	—	—	12.87"	19.28"	6.41"	—	P01685
72596	Strut	B3	13.04"	—	—	13.54"	18.01"	4.47"	—	P01523
72597	Strut	B11	12.89"	—	—	13.39"	20.57"	7.18"	—	P01418
72598	Strut	B11	12.89"	—	—	13.39"	20.57"	7.18"	—	P01418
72599	Strut	SS2	11.73"	—	—	12.23"	16.62"	4.39"	—	P00839
72600	Strut	SS2	10.72"	—	—	11.22"	13.87"	2.65"	—	P00839
72604	Strut	B10	13.28"	—	—	13.51"	20.08"	6.48"	—	None
72605	Strut	B10	13.28"	—	—	13.51"	20.08"	6.57"	—	None
72606	Strut	B11	15.9"	—	LS35	16.25"	20.96"	4.71"	—	None
72607	Strut	B11	15.9"	—	LS35	16.25"	20.96"	4.71"	—	None
72608	Strut	B9	15.16"	—	—	15.44"	24.11"	8.67"	—	P00839
72609	Strut	B11	15.18"	—	—	15.44"	24.18"	8.74"	—	P00839
72610†	Strut	B4	11.45"	—	—	11.95"	18.1"	6.15"	—	P00590
72611	Strut	B4	11.6"	—	—	12.1"	18.1"	6"	—	P00590
72612	Strut	B4	11.08"	—	—	11.58"	17.59"	6.01"	—	P00590
72613†	Strut	B4	11.08"	—	—	11.58"	17.59"	6.01"	—	P00590
72614†	Strut	B4	10.61"	—	—	11.11"	16.97"	5.86"	—	P00590
72615†	Strut	B4	10.61"	—	—	11.11"	16.97"	5.86"	—	P00590
72618	Strut	B4	11.86"	—	—	12.36"	18.58"	6.22"	—	P00762
72619	Strut	B4	11.86"	—	—	12.36"	18.58"	6.22"	—	P00762
72620	Strut	B11	11.3"	—	—	11.8"	22.95"	11.15"	—	P00590
72621	Strut	B11	11.3"	—	—	11.8"	22.95"	11.15"	—	P00590
72622†	Strut	B11	12.77"	—	—	13.78"	19.69"	5.91"	—	P00839
72623†	Strut	B11	12.77"	—	—	13.78"	19.69"	5.91"	—	P00839
72624	Strut	B3	13.04"	—	—	13.54"	18.01"	4.47"	—	P01523
72625	Strut	B3	13.04"	—	—	13.54"	18.01"	4.47"	—	P01523
72626	Strut	B11	14.69"	—	—	15.19"	24.6"	9.41"	—	P01742
72627	Strut	B11	14.69"	—	—	15.19"	24.6"	9.41"	—	P01742
72628	Strut	SS2	14.69"	—	—	15.39"	22.44"	7.05"	—	P00838
72629	Strut	B2	11.64"	—	—	12.14"	17.85"	5.71"	—	None
72630	Strut	B2	11.64"	—	—	12.14"	18.85"	6.71"	—	None
72631	Strut	B2	10.75"	—	—	11.25"	17.38"	6.13"	—	None
72632	Strut	B2	10.75"	—	—	11.25"	17.38"	6.13"	—	None
72635	Strut	B3	14.54"	—	—	15.04"	19.29"	4.25"	—	P00808
72636†	Strut	B3	11.55"	—	—	12.05"	17.99"	5.94"	—	P00762
72637†	Strut	B3	11.55"	—	—	12.05"	17.99"	5.94"	—	P00762
72638†	Strut	B11	13.52"	—	—	14.02"	20.72"	6.7"	—	P00762
72640†	Strut	B16	15.23"	—	—	15.84"	24.09"	8.12"	—	P00808
72641	Strut	B4	13.72"	—	—	11.28"	17.4"	6.12"	—	P00762
72642	Strut	B4	13"	—	—	13.49"	20.77"	7.28"	—	P00762
72647†	Strut	B19	17.87"	—	—	17.6"	24.67"	7.07"	—	P00762
72648†	Strut	B19	17.87"	—	—	17.6"	24.67"	7.07"	—	P00762
72651†	Strut	SS7	16.21"	—	—	16.47"	20.89"	4.42"	—	P01388,P01726
72652†	Strut	SS7	17.03"	—	—	17.18"	21.63"	4.45"	—	P01388,P01726
72653	Strut	B11	13.8"	—	—	14.3"	21.18"	6.88"	—	P01697
72654	Strut	B11	13.8"	—	—	14.3"	21.18"	6.88"	—	P01697
72655†	Strut	B11	14.59"	—	—	15.09"	21.69"	6.6"	—	P00590
72656	Strut	B11	14.59"	—	—	15.09"	21.69"	6.6"	—	P00590
72659	Strut	B4	13.87"	—	—	11.24"	17.4"	6.1"	—	None
72660	Strut	B4	13.87"	—	—	11.24"	17.4"	6.1"	—	None
72663	Strut	B11	14.83"	—	—	15.33"	24.6"	9.27"	—	P01742

† Bumper Stop Unit. Dimension Shown at Bumper Contact

‡ Hydraulic Lockout Unit. Dimension Shown is Metal-to-Metal, Subtract Approximately 5/8" (.62) from the Extended Length for Start-of-Engagement.

MOUNTING & LENGTH SPECIFICATIONS

Part No.	Part Type	STRUT BODY		END CODE		LENGTHS			Spring (Rate)	Parts Pack(s)
		Type	Length	Upper	Lower	Comp.	Ext.	Trav.		
72664	Strut	B11	14.83"	—	—	15.33"	24.6"	9.27"	—	P01742
72665†	Strut	SS4	19.53"	—	—	20.36"	25.5"	5.14"	—	P01522
72668	Strut	B9	13.63"	—	—	14.13"	20.35"	6.22"	—	P00762
72669	Strut	B9	13.63"	—	—	14.13"	20.35"	6.22"	—	P00762
72670	Strut	B11	8.95"	—	—	13.28"	19.43"	6.15"	—	None
72671	Strut	B11	8.95"	—	—	13.28"	19.43"	6.15"	—	None
72678	Strut	B18	15.04"	—	—	15.43"	21.3"	5.87"	—	None
72679	Strut	B18	15.04"	—	—	15.43"	21.3"	5.87"	—	None
72680	Strut	B18	13"	—	—	13.42"	19.76"	6.3"	—	None
72681	Strut	B18	13"	—	—	13.42"	19.76"	6.3"	—	None
72682	Strut	B17	12.94"	—	—	13.44"	19.37"	5.93"	—	P00808
72683	Strut	B10	12.94"	—	—	13.44"	19.37"	5.93"	—	P00808
72684	Strut	B18	14.31"	—	—	14.76"	20.83"	6.07"	—	None
72685	Strut	B18	14.31"	—	—	14.76"	20.83"	6.07"	—	None
72686	Strut	B18	16.74"	—	—	17.2"	22.6"	5.4"	—	None
72687	Strut	B18	16.74"	—	—	17.2"	22.6"	5.4"	—	None
72688	Strut	B17	13.53"	—	—	13.5"	19.6"	6.1"	—	None
72689	Strut	B17	13.53"	—	—	13.5"	19.6"	6.1"	—	None
72690	Strut	SS2	10.71"	S12	—	11.34"	16.65"	5.31"	—	None
72691	Strut	SS2	13.05"	S12	—	14.75"	19"	4.25"	—	None
72692	Strut	SS4	15.79"	—	—	16.38"	23.07"	6.69"	—	None
72693	Strut	B3	14.37"	—	—	12.36"	17.14"	4.78"	—	None
72694	Strut	B3	12.2"	—	—	15.43"	19.8"	4.4"	—	None
72695	Strut	SS2	12.6"	S12	—	13.22"	18.9"	5.68"	—	None
72696	Strut	SS2	10.55"	S12	—	11.14"	17"	5.86"	—	None
72699	Strut	SS4	14.04"	—	—	14.54"	19.84"	5.3"	—	P00906
72700	Strut	B4	11.38"	—	—	11.88"	15.55"	3.67"	—	P00762
72701	Strut	SS2	11.38"	—	—	11.88"	15.55"	3.67"	—	P00762
72702	Strut	B4	12.33"	—	—	12.83"	17.48"	4.65"	—	P00762
72703	Strut	B4	12.33"	—	—	12.83"	17.48"	4.65"	—	P00762
72704	Strut	SS2	16.69"	—	—	17.19"	21.83"	4.64"	—	P00762
72705	Strut	SS2	16.69"	—	—	17.19"	21.83"	4.64"	—	P00762
72706	Strut	B11	12.85"	—	—	13.35"	19.57"	6.22"	—	P00762
72707	Strut	B11	12.85"	—	—	13.35"	19.57"	6.22"	—	P00762
72708	Strut	B11	13.28"	—	—	13.55"	19.07"	5.52"	—	P00762
72709	Strut	B11	13.28"	—	—	13.55"	19.07"	5.52"	—	P00762
72712	Strut	B11	16.19"	—	—	16.69"	23.74"	7.05"	—	P00762
72713	Strut	B11	16.19"	—	—	16.69"	23.74"	7.05"	—	P00762
72718	Strut	B11	16.19"	—	—	16.69"	23.03"	6.34"	—	P00762
72719	Strut	B11	16.19"	—	—	16.69"	23.03"	6.34"	—	P00762
72720	Strut	B11	13.7"	—	—	14.2"	20.27"	6.07"	—	P00762
72721	Strut	B11	13.7"	—	—	14.2"	20.27"	6.07"	—	P00762
72722	Strut	B11	13.99"	—	—	14.49"	21.5"	7.02"	—	P00762
72723	Strut	B11	13.99"	—	—	14.49"	21.5"	7.02"	—	P00762
72726	Strut	SS4	15.38"	—	—	15.88"	23.1"	7.22"	—	P00762
72727†	Strut	B4	14.48"	—	—	12.12"	19.22"	7.1"	—	P00590, P01717
72728	Strut	B4	14.48"	—	—	12.12"	19.22"	7.1"	—	P00590, P01717
72729†	Strut	B11	16.17"	—	—	11.8"	22.87"	11.07"	—	P00590
72730	Strut	B11	16.02"	—	—	11.8"	22.87"	11"	—	P00590
72731	Strut	B3	9.45"	—	—	9.65"	16.81"	7.16"	—	P01371
72732	Strut	B3	9.45"	—	—	9.65"	16.81"	7.16"	—	P01371
72733‡	Strut	B3	9.45"	—	—	9.65"	16.34"	6.69"	—	P01371
72734‡	Strut	B3	9.45"	—	—	9.65"	16.34"	6.69"	—	P01371
72735	Strut	B4	12.04"	—	—	12.54"	15.63"	3.09"	—	P00808
72736	Strut	B4	12.04"	—	—	12.54"	15.63"	3.09"	—	P00808
72737	Strut	B10	13.7"	—	—	13.5"	20.34"	6.84"	—	P00762
72738	Strut	B10	13.7"	—	—	13.5"	20.34"	6.84"	—	P00762
72739	Strut	B12	14.02"	—	—	14.5"	21.5"	6.98"	—	P01418
72740	Strut	B12	14.02"	—	—	14.5"	21.5"	6.98"	—	P01418
72741†	Strut	B9	15.54"	—	—	16.04"	24.19"	8.15"	—	P00808
72742†	Strut	B9	15.54"	—	—	16.04"	24.19"	8.15"	—	P00808

† Bumper Stop Unit. Dimension Shown at Bumper Contact

‡ Hydraulic Lockout Unit. Dimension Shown is Metal-to-Metal, Subtract Approximately 5/8" (.62) from the Extended Length for Start-of-Engagement.

MOUNTING & LENGTH SPECIFICATIONS

Part No.	Part Type	STRUT BODY		END CODE		LENGTHS			Spring (Rate)	Parts Pack(s)
		Type	Length	Upper	Lower	Comp.	Ext.	Trav.		
72743	Strut	B4	10.69"	—	—	11.19"	17.22"	6.03"	—	P00762
72744	Strut	B4	10.69"	—	—	17.2"	18.01"	6.82"	—	P00762
72746	Strut	SS2	14.49"	—	—	14.88"	22.68"	7.8"	—	P00838
72747	Strut	SS2	14.88"	—	—	15.28"	22.09"	6.81"	—	P00838
72748	Strut	B4	11.86"	—	—	12.36"	19.37"	7.01"	—	P00762
72749	Strut	B4	11.86"	—	—	12.36"	19.37"	7.01"	—	P00762
72750	Strut	B4	11.86"	—	—	12.36"	19.37"	7.01"	—	P00762
72751	Strut	B4	11.86"	—	—	12.36"	19.37"	7.01"	—	P00762
72752	Strut	B4	11.86"	—	—	12.36"	19.37"	7.01"	—	P00762
72753	Strut	B4	11.86"	—	—	12.36"	19.37"	7.01"	—	P00762
72755†	Strut	B4	9.33"	—	—	9.53"	15.75"	6.22"	—	P00838
72756†	Strut	B4	9.33"	—	—	9.53"	15.75"	6.22"	—	P00838
72761	Strut	B4	11.76"	—	—	11.95"	19.22"	7.27"	—	P00590,P01717
72762	Strut	SS4	15.38"	—	—	15.88"	23.07"	7.19"	—	P00590,P01717
72763	Strut	B9	16.83"	—	—	17.33"	24.61"	7.28"	—	None
72764	Strut	B9	16.83"	—	—	17.33"	24.61"	7.28"	—	None
72765	Strut	B9	15.76"	—	—	16.26"	22.44"	6.18"	—	None
72766	Strut	B9	15.76"	—	—	16.26"	22.44"	6.18"	—	None
72770	Strut	B4	14.93"	—	—	15.43"	17.85"	2.42"	—	None
72771	Strut	B4	14.93"	—	—	15.43"	17.85"	2.42"	—	None
72772	Strut	B11	14.91"	—	—	15.41"	22.81"	7.4"	—	None
72773	Strut	B11	14.91"	—	—	15.41"	22.81"	7.4"	—	None
72774	Strut	B4	10.69"	—	—	11.19"	17.89"	6.7"	—	P00762
72775†	Strut	B4	10.69"	—	—	11.19"	17.89"	6.7"	—	P00762
72778†	Strut	B9	10.52"	—	—	11.02"	17.68"	6.66"	—	P00762
72779†	Strut	B9	10.52"	—	—	11.02"	17.68"	6.66"	—	P00762
72780	Strut	B11	16.28"	—	—	12.35"	16.81"	4.46"	—	P00762
72781	Strut	B10	16.6"	—	—	16.31"	23.8"	7.49"	—	P01418
72782	Strut	B10	16.6"	—	—	16.31"	23.8"	7.49"	—	P01418
72785†	Strut	B11	10.2"	—	—	11.02"	17.48"	6.46"	—	P00762
72786†	Strut	B18	10.2"	—	—	11.02"	17.48"	6.46"	—	P00762
72787	Strut	B4	9.48"	—	—	9.98"	17.43"	7.45"	—	P00762
72788	Strut	B4	9.48"	—	—	9.98"	17.43"	7.45"	—	P00762
72789	Strut	B11	13.5"	—	—	14"	19.51"	15.51"	—	P00808
72790	Strut	B9	13.89"	—	—	14.39"	19.51"	5.12"	—	P00808
72888†	Strut	B18	16.52"	—	—	17.02"	24.13"	7.11"	—	P00590
72889†	Strut	B9	16.52"	—	—	17.02"	24.13"	7.11"	—	P00590
72894	Strut	SS2	11.83"	—	—	12.33"	19.11"	6.78"	—	P00906
72895†	Strut	SS2	13.37"	—	—	13.87"	21.45"	7.58"	—	P00906
72896	Strut	SS2	11.83"	—	—	12.33"	19.11"	6.78"	—	P00906
72897	Strut	B11	15.77"	—	—	16.27"	22.03"	7.58"	—	P00839
72898	Strut	B11	15.77"	—	—	16.27"	22.03"	7.58"	—	P00839
72899†	Strut	B3	12.36"	—	—	12.86"	16.93"	4.07"	—	P01524
72900†	Strut	SS2	15.71"	—	—	16.21"	20.06"	3.84"	—	P01388,P01726
72901	Strut	B11	13.08"	—	—	13.58"	18.11"	4.53"	—	P00762
72902	Strut	B11	13.08"	—	—	13.58"	18.11"	4.53"	—	P00762
72903	Strut	B11	9.64"	—	—	10.14"	16.68"	6.41"	—	P00590
72905	Strut	B11	13.22"	—	—	13.56"	17.82"	4.1"	—	P00762
72906	Strut	B11	13.22"	—	—	13.56"	17.82"	4.1"	—	P00762
72907†	Strut	B3	10.8"	—	—	11.2"	17.9"	6.7"	—	P00762
72908†	Strut	B3	10.8"	—	—	11.2"	17.9"	6.7"	—	P00762
72909	Strut	B12	11.76"	—	—	12.26"	19.05"	6.79"	—	P00808
72910	Strut	B9	13.22"	—	—	13.72"	19.89"	6.17"	—	P01742
72911	Strut	B9	13.22"	—	—	13.72"	19.89"	6.17"	—	P01742
72912	Strut	B11	12.53"	—	—	13.03"	19.41"	6.38"	—	P00808
72913	Strut	B11	12.53"	—	—	13.03"	19.41"	6.38"	—	P00808
72914	Strut	B11	12.53"	—	—	13.03"	19.41"	6.38"	—	P00808
72915	Strut	B11	12.53"	—	—	13.03"	19.41"	6.38"	—	P00808
72916	Strut	B4	15.56"	—	—	16.06"	21.5"	5.44"	—	None
72917	Strut	B10	12.74"	—	—	13.24"	17.2"	3.96"	—	None
72918	Strut	B4	12.74"	—	—	13.24"	17.2"	3.96"	—	None

† Bumper Stop Unit. Dimension Shown at Bumper Contact

‡ Hydraulic Lockout Unit. Dimension Shown is Metal-to-Metal, Subtract Approximately 5/8" (.62) from the Extended Length for Start-of-Engagement.

MOUNTING & LENGTH SPECIFICATIONS

Part No.	Part Type	STRUT BODY		END CODE		LENGTHS			Spring (Rate)	Parts Pack(s)
		Type	Length	Upper	Lower	Comp.	Ext.	Trav.		
72919†	Strut	SS2	12.42"	—	—	14.56"	19.37"	4.81"	—	P01431
72920†	Strut	B18	16.52"	—	—	17.02"	25.33"	8.31"	—	P00590
72921†	Strut	B18	16.58"	—	—	17.02"	25.33"	8.31"	—	P00590
72922†	Strut	B4	12.31"	—	—	12.81"	16.68"	3.87"	—	None
72923	Strut	B3	10.81"	—	—	11.31"	17.43"	6.12"	—	P00762
72924	Strut	B4	10.81"	—	—	11.31"	17.44"	6.13"	—	P00762
72925†	Strut	B11	10.59"	—	—	11.09"	19.98"	8.89"	—	P00762
72926†	Strut	B11	10.59"	—	—	11.09"	19.98"	8.89"	—	P00762
72927	Strut	B5	13.7"	—	—	11.09"	15.94"	4.85"	—	P00762
72928	Strut	B5	13.7"	—	—	11.09"	15.94"	4.85"	—	P00762
72929†	Strut	B10	14.44"	—	—	14.04"	21.15"	7.11"	—	P01700
72930	Strut	B3	10.35"	—	—	10.85"	18.39"	7.54"	—	P00762
72931	Strut	B3	10.35"	—	—	10.85"	18.39"	7.54"	—	P00762
72932	Strut	B3	9.13"	—	—	9.63"	17.63"	8"	—	P00762
72933	Strut	B3	9.13"	—	—	9.63"	17.63"	8"	—	P00762
72934	Strut	B11	14.12"	—	—	15.17"	19.74"	4.57"	—	P01742
72935	Strut	B11	13.58"	—	—	14.93"	19.51"	4.58"	—	P01742
72936	Strut	B11	16.62"	—	—	16.28"	21.54"	5.26"	—	P00762
72937	Strut	B11	16.62"	—	—	16.28"	21.54"	5.26"	—	P00762
72938†	Strut	B9	14.07"	—	—	13.56"	21.19"	7.63"	—	P00762
72939†	Strut	B9	14.07"	—	—	13.56"	21.19"	7.63"	—	P00762
72940†	Strut	B10	14.53"	—	—	14.57"	21.46"	6.96"	—	P01418
72941†	Strut	B10	14.53"	—	—	14.57"	21.46"	6.96"	—	P01418
72942†	Strut	B9	16.7"	—	—	16.01"	23.97"	7.96"	—	P00808
72943†	Strut	B9	16.7"	—	—	16.01"	23.97"	7.96"	—	P00808
72944	Strut	B3	16.1"	—	—	16.25"	20.79"	4.54"	—	P00838
72945	Strut	B4	10.76"	—	—	12.22"	18.91"	6.69"	—	None
72946	Strut	B4	10.76"	—	—	12.22"	18.91"	6.69"	—	None
72947	Strut	B10	13.39"	—	—	13.82"	17.48"	3.66"	—	P00762
72948	Strut	B10	13.39"	—	—	13.82"	17.48"	3.66"	—	P00762
72949	Strut	B11	15.33"	—	—	11.23"	17.66"	6.43"	—	None
72950	Strut	B10	16"	—	—	13.44"	17.57"	4.13"	—	None
72951	Strut	B10	16"	—	—	13.44"	17.57"	4.13"	—	None
72952	Strut	SS2	11.95"	—	—	13.01"	17.31"	4.3"	—	P00906
72955	Strut	B11	16.62"	—	—	16.28"	20.95"	4.67"	—	P00762
72956	Strut	B11	16.62"	—	—	16.28"	20.95"	4.67"	—	P00762
72957†	Strut	SS2	11.08"	—	—	12.41"	16.83"	4.42"	—	P00906
72958†	Strut	B3	13.5"	—	—	12.05"	18.43"	6.38"	—	P00762
72959†	Strut	B3	13.5"	—	—	12.05"	18.43"	6.38"	—	P00762
72960†	Strut	B11	13.23"	—	—	13.43"	18.06"	4.63"	—	P00762
72961†	Strut	B11	13.23"	—	—	13.43"	18.06"	4.63"	—	P00762
72962†	Strut	B11	16.59"	—	—	15.96"	23.28"	7.32"	—	P01418
72963†	Strut	B11	16.59"	—	—	15.96"	23.28"	7.32"	—	P01418
72968	Strut	B11	14.52"	—	—	15.02"	21.35"	6.33"	—	P00762
72969	Strut	B11	14.52"	—	—	15.02"	21.35"	6.33"	—	P00762
72970†	Strut	B3	13.63"	—	—	11.53"	16.31"	4.78"	—	P00839
72971†	Strut	B3	13.63"	—	—	11.53"	16.31"	4.78"	—	P00839
72974	Strut	B9	16.92"	—	—	14.54"	21.75"	7.21"	—	P00762
72975†	Strut	B9	16.92"	—	—	14.54"	21.75"	7.21"	—	P00762
72976	Strut	B11	14.39"	—	—	13.72"	17.24"	3.52"	—	P01742
72977	Strut	B11	14.39"	—	—	13.72"	17.24"	3.52"	—	P01742
72978†	Strut	B10	16.01"	—	—	15.54"	23.67"	8.13"	—	P00762
72979†	Strut	B10	16.01"	—	—	15.54"	23.67"	8.13"	—	P00762
72980†	Strut	B10	16.52"	—	—	16.71"	23.37"	6.66"	—	P01418
72981†	Strut	B10	16.52"	—	—	16.71"	23.37"	6.66"	—	P01418
72982	Strut	B9	16.86"	—	—	15.2"	22.36"	7.16"	—	P00762
72983	Strut	B9	16.86"	—	—	15.2"	22.36"	7.16"	—	P00762
72984	Strut	SS4	15.82"	—	—	16.33"	22.45"	6.12"	—	P00906
72985	Strut	B9	13.35"	—	—	13.65"	20.8"	7.15"	—	P00762
72986	Strut	B9	13.35"	—	—	13.65"	20.8"	7.15"	—	P00762
72987†	Strut	B11	13.23"	—	—	13.43"	19.76"	6.33"	—	P00762

† Bumper Stop Unit. Dimension Shown at Bumper Contact

‡ Hydraulic Lockout Unit. Dimension Shown is Metal-to-Metal, Subtract Approximately 5/8" (.62) from the Extended Length for Start-of-Engagement.

MOUNTING & LENGTH SPECIFICATIONS

Part No.	Part Type	STRUT BODY		END CODE		LENGTHS			Spring (Rate)	Parts Pack(s)
		Type	Length	Upper	Lower	Comp.	Ext.	Trav.		
72988†	Strut	B11	13.23"	—	—	13.43"	19.76"	6.33"	—	P00762
72989†	Strut	B11	13.54"	—	—	13.52"	20.16"	6.64"	—	P01418
72990†	Strut	B11	13.54"	—	—	13.52"	20.16"	6.64"	—	P01418
72991†	Strut	SS2	11.94"	—	—	12.46"	16.62"	4.16"	—	P00839
72992†	Strut	B12	14.59"	—	—	14.57"	19.78"	5.19"	—	P01418
72993†	Strut	B12	14.56"	—	—	14.57"	18.78"	4.21"	—	P01418
73012†	Strut	B11	14.44"	—	—	14.17"	19.23"	5.06"	—	P01700
73013†	Strut	B11	12.76"	—	—	15.14"	21"	5.87"	—	P00808
73014†	Strut	B11	12.76"	—	—	15.14"	21"	5.87"	—	P00808
73015†	Strut	B10	14.07"	—	—	13.7"	21.39"	7.69"	—	P00762
73016†	Strut	B10	14.07"	—	—	13.7"	21.39"	7.69"	—	P00762
73019	Strut	B11	12.37"	—	—	14.13"	19.29"	5.16"	—	P00808
73020	Strut	B11	12.37"	—	—	14.13"	19.29"	5.16"	—	P00808
73029†	Strut	SS3	10.93"	—	—	11.3"	15.68"	4.38"	—	None
73030†	Strut	SS3	10.93"	—	—	11.3"	15.68"	4.38"	—	None
73031†	Strut	SS7	15.78"	—	—	16.02"	20.91"	4.89"	—	P01388, P01726
73032†	Strut	SS7	16.93"	—	—	17.17"	22.09"	4.92"	—	P01388, P01726
73033	Strut	B9	15.94"	—	—	16.2"	21.59"	5.39"	—	P00808
73034	Strut	B9	15.94"	—	—	16.2"	24.28"	8.08"	—	
73035†	Strut	B9	13.77"	—	—	12.98"	16.29"	3.32"	—	
73036†	Strut	B9	13.77"	—	—	12.98"	16.29"	3.32"	—	
73037†	Strut	B9	11.8"	—	—	12.09"	15.59"	3.51"	—	None
73038†	Strut	B9	11.8"	—	—	12.09"	15.59"	3.51"	—	None
73039†	Strut	SS2	13.11"	—	—	13.66"	19.4"	5.74"	—	P0906
73040†	Strut	B9	16.73"	—	—	17.2"	25.37"	8.17"	—	P00762
73041†	Strut	B9	16.73"	—	—	17.2"	25.37"	8.17"	—	P00762
73042†	Strut	B9	15.81"	—	—	12.57"	19.65"	7.08"	—	P00762
73043†	Strut	B9	15.81"	—	—	12.57"	19.65"	7.08"	—	P00762
73045†	Strut	B10	15.9"	—	—	12.71"	18.78"	6.07"	—	None
73046†	Strut	B10	15.9"	—	—	12.71"	18.78"	6.07"	—	None
73049†	Strut	B9	16.58"	—	—	16.32"	23.8"	7.48"	—	P01418
73050†	Strut	B9	16.58"	—	—	16.32"	23.8"	7.48"	—	P01418
73051†	Strut	B9	13.37"	—	—	13.45"	17.72"	4.28"	—	P01371
73052†	Strut	B9	13.37"	—	—	13.45"	17.72"	4.28"	—	P01371
73053†	Strut	B9	15.1"	—	—	12.77"	19.15"	6.38"	—	None
73054†	Strut	B9	15.1"	—	—	12.77"	19.15"	6.38"	—	None
73055†	Strut	B9	15.1"	—	—	12.77"	19.15"	6.38"	—	None
73056†	Strut	B9	15.1"	—	—	12.77"	19.15"	6.38"	—	None
73057	Strut	B9	14.8"	—	—	12.29"	18.54"	6.25"	—	None
73058	Strut	B9	14.8"	—	—	12.29"	18.54"	6.25"	—	None
73059	Strut	B11	15.32"	—	—	15.58"	22.35"	6.55"	—	P00590
73060	Strut	B9	14.33"	—	—	13.91"	20.64"	6.73"	—	P01371
73061	Strut	B9	14.33"	—	—	13.91"	20.64"	6.73"	—	P01371
73062	Strut	B9	14.33"	—	—	15.05"	19.17"	4.12"	—	P01371
73063	Strut	B9	14.33"	—	—	15.05"	19.17"	4.12"	—	P01371
74006	Shock	—	—	L4	L4	14.29"	21.75"	7.46"	—	None
74025	Shock	—	—	L4	L4	15.62"	24.52"	8.9"	—	None
74028	Shock	—	—	L4	L4	14.72"	22.74"	8.02"	—	None
74075	Shock	—	—	L4	L4	13.25"	19.88"	6.63"	—	None
74400‡	Shock	—	—	L4	L4	16.88"	25.75"	8.88"	—	None
74402‡	Shock	—	—	S6	L4	15.88"	24.13"	8.25"	—	P01482
74405‡	Shock	—	—	L4	L4	12.76"	17.82"	5.06"	—	None
74406‡	Shock	—	—	L4	L4	14.23"	20.84"	6.61"	—	None
74408‡	Shock	—	—	L4	L4	15.71"	23.49"	7.81"	—	None
74409‡	Shock	—	—	S6	S6	12.31"	18.7"	6.39"	—	P01482
74413‡	Shock	—	—	L4	L4	17"	26.31"	9.31"	—	None
74417‡	Shock	—	—	S6	L4	15.39"	23.97"	8.58"	—	P01482
74418‡	Shock	—	—	S6	S6	19.02"	31.83"	12.81"	—	P01482
74420‡	Shock	—	—	LS53	LS53	16.58"	25.48"	8.91"	—	None
74423‡	Shock	—	—	L4	L4	13.67"	20.08"	6.41"	—	None
74431‡	Shock	—	—	LS81	S6	18.73"	31.11"	12.38"	—	P01482

† Bumper Stop Unit. Dimension Shown at Bumper Contact

‡ Hydraulic Lockout Unit. Dimension Shown is Metal-to-Metal, Subtract Approximately 5/8" (.62) from the Extended Length for Start-of-Engagement.

MOUNTING & LENGTH SPECIFICATIONS

Part No.	Part Type	STRUT BODY		END CODE		LENGTHS			Spring (Rate)	Parts Pack(s)
		Type	Length	Upper	Lower	Comp.	Ext.	Trav.		
74432†	Shock	—	—	LS81	S6	16.63"	26.38"	9.75"	—	P01482
74434‡	Shock	—	—	S6	L4	16.25"	25.88"	9.63"	—	P01482
74435†	Shock	—	—	LS65	LS65	15.08"	23.24"	8.16"	—	None
74439†	Shock	—	—	S6	S6	14.8"	23.88"	9.08"	—	None
74440‡	Shock	—	—	LS65	S6	13.72"	21.08"	7.36"	—	P01482
74442†	Shock	—	—	S6	S6	17.63"	29.56"	11.94"	—	None
74451‡	Shock	—	—	S6	L4	15.69"	24.94"	9.25"	—	P01482
74454‡	Shock	—	—	L4	L4	16.75"	26.41"	9.66"	—	None
74462†	Shock	—	—	S6	S6	13.66"	22.48"	8.82"	—	None
74465†	Shock	—	—	S6	S6	13.02"	20.06"	7.04"	—	None
74466†	Shock	—	—	S6	S6	16.49"	27.4"	10.92"	—	None
74467‡	Shock	—	—	LS65	S6	12.86"	20.06"	7.2"	—	None
74468‡	Shock	—	—	LS54	LS54	17.47"	28.54"	11.07"	—	None
74469†	Shock	—	—	LS54	LS54	13.97"	21.85"	7.88"	—	None
74470†	Shock	—	—	LS65	LS65	13.5"	19.9"	6.4"	—	None
74471‡	Shock	—	—	L4	L4	15.46"	23.37"	7.91"	—	None
74472†	Shock	—	—	L4	L4	15.88"	24.5"	8.62"	—	None
74474†	Shock	—	—	LS54	LS54	15.82"	24.6"	8.78"	—	None
74477†	Shock	—	—	LS61	LS62	17.24"	27.43"	10.19"	—	None
74479†	Shock	—	—	LS54	LS54	12.83"	18.71"	5.87"	—	None
81100	Strut	SS4	13.08"	—	—	13.58"	18.08"	4.52"	—	None
81241†	Strut	SS4	15.75"	—	—	16"	24.13"	8.13"	—	P878
81256†	Strut	SS1	12"	—	—	12.25"	19"	6.75"	—	P762
81260	Strut	SS5	14.25"	—	—	14.75"	20.5"	5.75"	—	P878
81265†	Strut	SS1	16.13"	—	—	16.5"	25"	8.5"	—	P01006
81266†	Strut	SS5	13.13"	—	—	13.25"	19.38"	6.13"	—	P878
81278†	Strut	SS2	10.68"	—	—	11.18"	16.67"	5.49"	—	None
81281†	Strut	SS2	17.13"	—	—	17.38"	23.75"	6.38"	—	None
81282†	Strut	SS4	12.75"	—	—	13.5"	20.75"	7.25"	—	None
81286†	Strut	SS4	15.8"	—	—	16.3"	24.29"	7.99"	—	P866
81291†	Strut	SPEC	9.56"	—	—	10"	15.38"	5.38"	—	P906
81292†	Strut	SPEC	12.75"	—	—	13.25"	19.25"	6"	—	P878
81293†	Strut	B3	12.01"	—	—	12.51"	17.73"	5.22"	—	P906
81296†	Strut	SS2	14.25"	—	—	14.5"	21.25"	6.75"	—	None
81297†	Strut	SPEC	11.56"	—	—	12"	19.25"	7.25"	—	P1498
81299†	Strut	SS2	16.38"	—	—	16.5"	25.25"	8.75"	—	P906
81311†	Strut	SS4	12.9"	—	—	13.4"	20.43"	7.03"	—	None
81312†	Strut	SS2	11"	—	—	11.5"	16.5"	5"	—	None
81326	Strut	SS2	14.94"	—	—	15.44"	22.17"	6.73"	—	P01629
81340	Strut	SS2	10"	—	—	10.38"	14.75"	4.38"	—	P00906
81341†	Strut	B3	11.02"	—	—	11.07"	16.08"	5.01"	—	None
81347	Strut	SS2	13.12"	—	—	13.62"	17.93"	4.31"	—	P01612
81351†	Strut	SS2	13.05"	—	—	13.5"	16.16"	2.66"	—	P1612
81352†	Strut	SS2	13.12"	—	—	13.62"	18.19"	4.57"	—	P1612
81358	Strut	SS2	10.29"	—	—	10.79"	14.62"	3.83"	—	P01614
81371	Strut	SS2	16.39"	—	—	16.89"	21.83"	4.94"	—	P01613
81372	Strut	SS2	16.52"	—	—	17.02"	24.88"	7.86"	—	P00906
81377	Strut	B3	13.42"	—	—	13.92"	20.25"	6.33"	—	None
81426†	Strut	B10	13.38"	—	—	13.63"	20.5"	6.88"	—	P00762
81427†	Strut	B10	13.38"	—	—	13.63"	20.5"	6.88"	—	P00762
81433	Strut	B14	12.75"	—	—	13"	19.13"	6.13"	—	P00762
81434	Strut	B14	12.75"	—	—	13"	19.13"	6.13"	—	P00762
81437†	Strut	B10	14.64"	—	—	15.14"	21.77"	6.63"	—	P01371
81438†	Strut	B11	14.64"	—	—	15.14"	21.77"	6.63"	—	P01371
81451†	Strut	B11	13.85"	—	—	14.35"	21.69"	7.34"	—	P00762
81452†	Strut	B11	13.85"	—	—	14.35"	21.69"	7.34"	—	P00762
81504†	Strut	B4	14.75"	—	—	15.13"	21.38"	6.25"	—	P762
81505	Strut	B4	14.75"	—	—	15.13"	21.38"	6.25"	—	P762
81525†	Strut	B4	14.5"	—	—	15.25"	22"	6.75"	—	P808
81565†	Strut	B3	9.49"	—	—	9.99"	13.33"	3.34"	—	P1095
81566	Strut	B11	12.63"	—	—	12.88"	18.75"	5.88"	—	P00762

† Bumper Stop Unit. Dimension Shown at Bumper Contact

‡ Hydraulic Lockout Unit. Dimension Shown is Metal-to-Metal, Subtract Approximately 5/8" (.62) from the Extended Length for Start-of-Engagement.

MOUNTING & LENGTH SPECIFICATIONS

Part No.	Part Type	STRUT BODY		END CODE		LENGTHS			Spring (Rate)	Parts Pack(s)
		Type	Length	Upper	Lower	Comp.	Ext.	Trav.		
81567	Strut	B11	12.63"	—	—	12.88"	18.75"	5.88"	—	P00762
81570†	Strut	B10	14.88"	—	—	16.63"	23.38"	6.75"	—	P762
81571†	Strut	B10	14.88"	—	—	16.63"	23.38"	6.75"	—	P762
81572†	Strut	B5	11"	—	—	11.5"	18.5"	7"	—	P590
81578†	Strut	B2	16.25"	—	—	16.5"	24.38"	7.88"	—	None
81579†	Strut	B2	16.25"	—	—	16.5"	24.38"	7.88"	—	None
81580†	Strut	B5	11.56"	—	—	12"	18"	6"	—	None
81592†	Strut	B5	11.56"	—	—	12"	18"	6"	—	None
81593†	Strut	B11	17.09"	—	—	17.59"	24.94"	7.35"	—	P00590
81594†	Strut	B11	14.93"	—	—	15.43"	22.5"	7.07"	—	P00590
81597	Strut	B9	14.25"	—	—	14.5"	21"	6.5"	—	P00762
81598	Strut	B9	14.25"	—	—	14.5"	21"	6.5"	—	P00762
81615†	Strut	B4	14.75"	—	—	14.88"	19"	4.13"	—	P1439
81616†	Strut	B4	15.88"	—	—	16"	21.88"	5.88"	—	P590
81617†	Strut	B13	10.72"	—	—	11.22"	17.61"	6.39"	—	P1434
81618†	Strut	B13	10.72"	—	—	11.22"	17.61"	6.39"	—	P1434
81654	Strut	B2	12.38"	—	—	12.88"	18.88"	6"	—	P00762
81655	Strut	B2	12.38"	—	—	12.88"	18.88"	6"	—	P00762
81661†	Strut	B9	9.77"	—	—	10.27"	16.68"	6.41"	—	None
81662†	Strut	B12	15.03"	—	—	15.53"	23.09"	7.56"	—	P1433
81663	Strut	B2	15"	—	—	15.5"	23.13"	7.63"	—	P853
81667†	Strut	B13	10.63"	—	—	11.13"	17.38"	6.25"	—	P1455
81668†	Strut	B13	10.63"	—	—	11.13"	17.38"	6.25"	—	P1455
81669†	Strut	B3	17.5"	—	—	17.75"	26.5"	8.75"	—	P1456
81670†	Strut	B5	10"	—	—	10.5"	15.38"	4.88"	—	None
81671	Strut	B2	15.5"	—	—	15.63"	21"	5.38"	—	P01700
81672†	Strut	B10	10.56"	—	—	11.06"	18.08"	7.02"	—	P1467
81673†	Strut	B9	12.3"	—	—	12.8"	21.18"	8.38"	—	None
81678†	Strut	B10	13.38"	—	—	13.88"	20.12"	6.24"	—	None
81679†	Strut	B10	13.38"	—	—	13.88"	20.12"	6.24"	—	None
81680†	Strut	B10	15.81"	—	—	16.31"	24.21"	7.9"	—	None
81681†	Strut	B10	15.81"	—	—	16.31"	24.21"	7.9"	—	None
81682†	Strut	B10	13.84"	—	—	14.34"	21.7"	7.36"	—	P1451
81683†	Strut	B10	13.84"	—	—	14.34"	21.7"	7.36"	—	P1451
81686	Strut	B2	11.63"	—	—	12.13"	20.38"	8.25"	—	None
81687	Strut	B4	13.5"	—	—	14"	20.25"	6.25"	—	P762
81691†	Strut	B3	13.63"	—	—	16.63"	19.5"	2.88"	—	P906
81698	Strut	B3	13.25"	—	—	13.75"	18.38"	4.63"	—	BE17110417
81728†	Strut	B1	9.75"	—	—	10.25"	17.4"	7.15"	—	None
81751†	Strut	B10	15.75"	—	—	16.25"	24.25"	8"	—	P1447
81771†	Strut	B5	9.75"	—	—	10.25"	16.88"	6.63"	—	P590
81779†	Strut	B4	14.38"	—	—	15.13"	21"	5.88"	—	P1445
81780†	Strut	B4	14.63"	—	—	14.75"	21.13"	6.38"	—	P1439
81797†	Strut	B5	11"	—	—	11.5"	18.5"	7"	—	P853
81798†	Strut	B15	13.25"	—	—	13.75"	21"	7.25"	—	P853
81799†	Strut	B5	13.25"	—	—	13.75"	21"	7.25"	—	P1581
81803†	Strut	B1	13.13"	—	—	13.63"	20.13"	6.5"	—	P1453
81815†	Strut	B10	12.75"	—	—	13.38"	19.75"	6.38"	—	P839
81819†	Strut	B11	10.43"	—	—	10.93"	17.31"	6.38"	—	None
81820	Strut	B5	9.75"	—	—	10.25"	16.75"	6.5"	—	P590
81822†	Strut	B5	11"	—	—	11.5"	18.5"	7"	—	P853
81828†	Strut	B1	13.13"	—	—	13.63"	20.13"	6.5"	—	P1454
81831†	Strut	B1	10"	—	—	10.5"	18.5"	8"	—	None
81837†	Strut	B2	12.88"	—	—	13"	19.25"	6.25"	—	P928
81845†	Strut	SPEC	15.88"	—	—	16.38"	20.5"	4.13"	—	P1448
81846†	Strut	B2	14"	—	—	14.5"	22.63"	8.13"	—	P808
81847†	Strut	B2	14"	—	—	14.5"	22.63"	8.13"	—	P808
81853†	Strut	B9	13.04"	—	—	13.54"	20.47"	6.93"	—	P00986
81857†	Strut	B11	12.63"	—	—	13.13"	19.13"	6"	—	P808
81858†	Strut	B11	12.63"	—	—	13.13"	19.13"	6"	—	P808
81859†	Strut	B11	12.88"	—	—	13.38"	19.63"	6.25"	—	P808

† Bumper Stop Unit. Dimension Shown at Bumper Contact

‡ Hydraulic Lockout Unit. Dimension Shown is Metal-to-Metal, Subtract Approximately 5/8" (.62) from the Extended Length for Start-of-Engagement.

MOUNTING & LENGTH SPECIFICATIONS

Part No.	Part Type	STRUT BODY		END CODE		LENGTHS			Spring (Rate)	Parts Pack(s)
		Type	Length	Upper	Lower	Comp.	Ext.	Trav.		
81860†	Strut	B11	12.88"	—	—	13.38"	19.63"	6.25"	—	P808
81861†	Strut	B11	15.75"	—	—	16"	24"	8"	—	P808
81862†	Strut	B11	15.75"	—	—	16"	24"	8"	—	P808
81868†	Strut	B5	9.88"	—	—	10.38"	16.25"	5.88"	—	P838
81871†	Strut	B11	12.88"	—	—	13.38"	19.63"	6.25"	—	None
81872†	Strut	B11	12.88"	—	—	13.38"	19.63"	6.25"	—	None
81873†	Strut	B10	14.38"	—	—	14.88"	23.13"	8.25"	—	None
81874†	Strut	B10	14.38"	—	—	14.88"	23.13"	8.25"	—	None
81875†	Strut	B3	12.13"	—	—	13.5"	17.75"	4.25"	—	P906
81878†	Strut	B2	11.38"	—	—	11.88"	18.38"	6.5"	—	P1442
81880†	Strut	B2	14.38"	—	—	14.5"	22.75"	8.25"	—	P1443
81881†	Strut	B11	12.13"	—	—	13"	18.88"	5.88"	—	None
81882†	Strut	B11	12.13"	—	—	13"	18.88"	5.88"	—	None
81897†	Strut	SPEC	12.38"	—	—	12.75"	16.38"	3.63"	—	P01095
81900†	Strut	B11	13.75"	—	—	14.25"	20.25"	6"	—	None
81901†	Strut	B11	13.75"	—	—	14.25"	20.25"	6"	—	None
81920†	Strut	B4	14.63"	—	—	14.75"	21.13"	6.38"	—	P1526
81925†	Strut	B17	12.13"	—	—	12.63"	19.63"	7"	—	P1328 & P1329
81926†	Strut	B13	11"	—	—	11.5"	17.38"	5.88"	—	P1434
81927†	Strut	B13	11"	—	—	11.5"	17.38"	5.88"	—	P1434
81932†	Strut	B7	8.28"	—	—	8.78"	15.22"	6.44"	—	P808
81933	Strut	B10	13.5"	—	—	13.88"	20.5"	6.63"	—	P00986
81937†	Strut	B13	10.63"	—	—	11.13"	17.25"	6.13"	—	P1455
81938†	Strut	B13	10.63"	—	—	11.13"	17.25"	6.13"	—	P1455
81939†	Strut	B3	18.88"	—	—	19"	27.5"	8.5"	—	P1456
81941†	Strut	B11	12.5"	—	—	13"	18.88"	5.88"	—	P00839
81942†	Strut	B11	12.5"	—	—	13"	18.88"	5.88"	—	P00839
81945†	Strut	B3	11.88"	—	—	12"	17.25"	5.25"	—	P906
81946†	Strut	B3	11.88"	—	—	12"	17.25"	5.25"	—	P906
81951†	Strut	B2	12.75"	—	—	13.25"	18.75"	5.5"	—	P808
81952†	Strut	B2	12.75"	—	—	13.25"	18.75"	5.5"	—	P808
81953†	Strut	B2	15.13"	—	—	15.5"	22.5"	7"	—	P808
81954†	Strut	B9	14.93"	—	—	15.43"	22.5"	7.07"	—	P808
81959†	Strut	B5	9.63"	—	—	10.13"	15.5"	5.38"	—	P1435
81960†	Strut	B9	13.63"	—	—	14.13"	19.25"	5.13"	—	P588 & P1330
81962†	Strut	B7	12.33"	—	—	12.83"	18.49"	5.66"	—	P589
81963†	Strut	B7	12.38"	—	—	12.88"	18.5"	5.63"	—	P1449
81964†	Strut	B5	12.75"	—	—	13.25"	19.5"	6.25"	—	P1438
81968†	Strut	B10	13.63"	—	—	14.38"	20.13"	5.75"	—	None
81969†	Strut	B10	13.63"	—	—	14.38"	20.13"	5.75"	—	None
81972†	Strut	B12	11.75"	—	—	12.25"	19.88"	7.63"	—	P853
81973†	Strut	B5	10.88"	—	—	11.38"	17.75"	6.38"	—	P588
81979†	Strut	B11	13.75"	—	—	13.88"	20.13"	6.25"	—	P808
81980†	Strut	B11	13.75"	—	—	13.88"	20.13"	6.25"	—	P808
81984†	Strut	B4	15.88"	—	—	16.88"	26.13"	9.25"	—	P762
81989†	Strut	B3	12.88"	—	—	13"	18.13"	5.13"	—	P906
81992†	Strut	B2	11.56"	—	—	12"	18.5"	6.5"	—	P1442
81993	Strut	B2	11.25"	—	—	11.75"	17.25"	5.5"	—	P1442
82105	Strut	B10	12.91"	—	—	12.83"	18.78"	5.95"	—	P00762
82106†	Strut	B10	12.91"	—	—	12.83"	18.78"	5.95"	—	P00762
82116	Strut	B11	13.1"	—	—	13.6"	20.64"	7.04"	—	P00808
82117	Strut	B11	13.1"	—	—	13.6"	20.64"	7.04"	—	P00808
82123	Strut	SS2	11.7"	—	—	12.2"	16.56"	4.36"	—	P00906
82130	Strut	B11	12.88"	—	—	13.38"	20.29"	6.91"	—	None
82143†	Strut	B14	14.72"	—	—	14.53"	21.1"	6.6"	—	P00762
82144†	Strut	B14	14.72"	—	—	14.53"	21.1"	6.6"	—	P00762
82179†	Strut	B11	11.05"	—	—	11.55"	17.6"	6.05"	—	P01460
82199†	Strut	B10	13.27"	—	—	11.55"	17.91"	6.36"	—	P01460
82200	Strut	B10	13.27"	—	—	11.55"	17.91"	6.36"	—	P01460
82205†	Strut	B10	13.92"	—	—	14.42"	22.06"	7.64"	—	P01418
82206†	Strut	B10	13.92"	—	—	14.42"	22.06"	7.64"	—	P01418

† Bumper Stop Unit. Dimension Shown at Bumper Contact

‡ Hydraulic Lockout Unit. Dimension Shown is Metal-to-Metal, Subtract Approximately 5/8" (.62) from the Extended Length for Start-of-Engagement.

MOUNTING & LENGTH SPECIFICATIONS

Part No.	Part Type	STRUT BODY		END CODE		LENGTHS			Spring (Rate)	Parts Pack(s)
		Type	Length	Upper	Lower	Comp.	Ext.	Trav.		
82207	Strut	B10	15.47"	—	—	15.97"	24.49"	8.52"	—	P00808
82208	Strut	B10	15.34"	—	—	15.84"	24.49"	8.65"	—	P00808
82211	Strut	B12	16.31"	—	—	16.81"	21.17"	4.36"	—	P01418
82212	Strut	B12	16.31"	—	—	16.81"	21.17"	4.36"	—	P01418
82217†	Strut	B11	11.71"	—	—	12.31"	20.59"	8.28"	—	P01460
82218†	Strut	B11	11.71"	—	—	12.31"	20.59"	8.28"	—	P01460
82236†	Strut	B17	15.91"	—	—	16.41"	23.82"	7.41"	—	P01418
82237†	Strut	B17	15.91"	—	—	16.41"	23.82"	7.41"	—	P01418
82240	Strut	B9	13.12"	—	—	13.62"	20.49"	6.87"	—	P00762
82241	Strut	B9	13.12"	—	—	13.62"	20.49"	6.87"	—	P00762
82248	Strut	SS4	19.33"	—	—	19.83"	24.98"	5.15"	—	P01522
82263	Strut	B4	13.62"	—	—	12.25"	18.94"	6.69"	—	P00762
82264	Strut	B4	13.16"	—	—	12.25"	18.94"	6.69"	—	P00762
82267	Strut	B9	14.54"	—	—	15.04"	22.21"	7.17"	—	P00762
82268	Strut	B9	14.54"	—	—	15.04"	22.21"	7.17"	—	P00762
82275	Strut	B10	14.64"	—	—	15.14"	21"	5.86"	—	P00808
82276	Strut	B10	15.14"	—	—	15.14"	21"	5.86"	—	P00808
82295	Strut	B11	13.28"	—	—	13.78"	20.09"	6.31"	—	P00808
82296	Strut	B11	13.28"	—	—	13.78"	20.09"	6.31"	—	P00808
82307†	Strut	B2	14.07"	—	—	14.57"	21.5"	6.93"	—	P01418
82308†	Strut	B2	14.07"	—	—	14.57"	21.5"	6.93"	—	P01418
82367†	Strut	B12	13.04"	—	—	13.54"	20.08"	6.54"	—	None
82368	Strut	B12	13.04"	—	—	13.54"	20.8"	6.54"	—	None
82378†	Strut	B9	12.6"	—	—	13.1"	19.8"	6.7"	—	P00762
82379†	Strut	B11	12.6"	—	—	13.1"	19.8"	6.7"	—	P00762
82392	Strut	B9	13.13"	—	—	13.63"	17.43"	3.8"	—	None
82393	Strut	B9	13.13"	—	—	13.63"	17.43"	3.8"	—	None
82401	Strut	SS2	11.78"	—	—	12.69"	18.98"	6.29"	—	P00906
82518†	Strut	B9	10.7"	—	—	11.27"	19.12"	7.85"	—	None
82591	Strut	B11	11.72"	—	—	12.22"	18.74"	6.52"	—	None
139104	Complete Strut Assembly	SS2	14.01"	—	—	14.51"	18.06"	3.55"	—	P01577
139105	Complete Strut Assembly	SPEC	14.06"	—	—	14.56"	18.06"	3.5"	—	P01577
139112	Complete Strut Assembly	SS7	13.39"	—	—	14.02"	17.24"	3.22"	—	P01141, P01415
153026	Complete Strut Assembly	SS7	13.39"	S1	XP16	13.9"	17.13"	3.25"	—	P01577
153027	Complete Strut Assembly	SS7	13.12"	S1	SPEC	14.51"	18.06"	3.55"	—	P01577
153028	Complete Strut Assembly	SS5	14.84"	—	—	15.43"	21.19"	5.76"	—	P01141
153029	Complete Strut Assembly	SS5	14.84"	—	—	15.43"	21.19"	5.76"	—	P01141
153030	Complete Strut Assembly	SS3	16.6"	—	—	17.17"	21.64"	4.47"	—	P01141
153031	Complete Strut Assembly	SS3	16.88"	—	—	17.3"	21.63"	4.33"	—	P01101
153032L	Complete Strut Assembly	SS3	17.26"	—	—	17.76"	23.52"	5.76"	—	P01123
153032R	Complete Strut Assembly	SS3	17.26"	—	—	17.76"	23.52"	5.76"	—	P01123
171100†	Complete Strut Assembly	SS4	12.94"	—	—	13.44"	18.08"	4.64"	—	P01141
171101L†	Complete Strut Assembly	SS2	10.47"	—	—	10.97"	15.35"	4.38"	—	P01125
171101R†	Complete Strut Assembly	SS2	10.47"	—	—	10.97"	15.35"	4.38"	—	P01125
171102†	Complete Strut Assembly	SS3	10.49"	—	—	10.99"	15.56"	4.57"	—	P01101
171103	Complete Strut Assembly	SS3	10.49"	—	—	10.99"	15"	4.01"	—	P01101
171109	Complete Strut Assembly	SS1	14.45"	—	—	14.59"	19.49"	4.9"	—	P01101
171110	Complete Strut Assembly	SS1	14.45"	—	—	14.59"	19.49"	4.9"	—	P01101
171111	Complete Strut Assembly	SS6	14.93"	—	—	15.43"	21.26"	5.83"	—	P01141
171112L	Complete Strut Assembly	SS3	11.5"	—	—	12.01"	16.46"	4.45"	—	None
171112R	Complete Strut Assembly	SS3	11.5"	—	—	12.01"	16.46"	4.45"	—	none
171113	Complete Strut Assembly	SS3	11.22"	—	—	11.82"	17.74"	5.92"	—	P01125
171114L	Complete Strut Assembly	SS2	9.95"	—	—	10.45"	15.04"	4.59"	—	P01125
171114R	Complete Strut Assembly	SS2	9.95"	—	—	10.45"	15.04"	4.59"	—	P01125
171116†	Complete Strut Assembly	SS5	18.58"	—	—	19.13"	24.41"	5.28"	—	P01113
171117†	Complete Strut Assembly	SS5	18.58"	—	—	19.13"	24.41"	5.28"	—	P01113
171119L	Complete Strut Assembly	SPEC	17.26"	—	—	17.76"	23.52"	5.76"	—	P01123
171119R	Complete Strut Assembly	SPEC	17.26"	—	—	17.76"	23.52"	5.76"	—	P01123
171124	Complete Strut Assembly	SPEC	18.82"	—	—	19.32"	20.42"	2.83"	—	P01113
171125†	Complete Strut Assembly	SS3	13.02"	—	—	13.52"	19.39"	5.87"	—	P01113
171126†	Complete Strut Assembly	SS2	12.37"	—	—	13.18"	20.3"	7.12"	—	P01125

† Bumper Stop Unit. Dimension Shown at Bumper Contact

‡ Hydraulic Lockout Unit. Dimension Shown is Metal-to-Metal, Subtract Approximately 5/8" (.62) from the Extended Length for Start-of-Engagement.

MOUNTING & LENGTH SPECIFICATIONS

Part No.	Part Type	STRUT BODY		END CODE		LENGTHS			Spring (Rate)	Parts Pack(s)
		Type	Length	Upper	Lower	Comp.	Ext.	Trav.		
171128L	Complete Strut Assembly	B11	11.96"	—	—	12.46"	19.5"	7.04"	—	P01113
171128R	Complete Strut Assembly	B11	11.96"	—	—	12.46"	19.5"	7.04"	—	P01113
171130	Complete Strut Assembly	B11	11.59"	—	—	12.09"	18.45"	6.36"	—	P01101
171131	Complete Strut Assembly	B11	11.59"	—	—	12.09"	18.45"	6.36"	—	P01101
171135	Complete Strut Assembly	B11	13.81"	—	—	14.31"	20.81"	6.5"	—	P01101
171136	Complete Strut Assembly	B11	13.81"	—	—	14.31"	20.81"	6.5"	—	P01101
171137L	Complete Strut Assembly	SPEC	—	S5	LS38	17.68"	22.25"	4.57"	—	P01123
171137R	Complete Strut Assembly	SPEC	—	S5	LS38	17.68"	22.25"	4.57"	—	P01123
171138	Complete Strut Assembly	SS1	15.65"	—	—	16.15"	20.03"	3.88"	—	P01141
171139	Complete Strut Assembly	SS1	15.03"	—	—	15.53"	19.83"	4.31"	—	P01141
171140	Complete Strut Assembly	SS2	15.88"	—	—	16.38"	21.18"	4.8"	—	P01141
171141	Complete Strut Assembly	SS2	16.68"	—	—	17.18"	21.63"	4.43"	—	P01141
171146	Complete Strut Assembly	SS3	12.56"	—	—	13.19"	19.1"	5.91"	—	P01125
171241L	Complete Strut Assembly	B4	15.5"	—	—	15.75"	24.09"	8.34"	—	P01125,P00906
171241R	Complete Strut Assembly	B4	15.5"	—	—	15.75"	24.09"	8.34"	—	P01125,P00906
171265†	Complete Strut Assembly	SS2	15.97"	—	—	16.5"	25.03"	8.53"	—	P01422
171266	Complete Strut Assembly	SS4	12.76"	—	—	13.26"	19.21"	5.95"	—	P01125,P00906
171281	Complete Strut Assembly	SS2	17.13"	—	—	17.38"	23.75"	6.38"	—	P01392
171282	Complete Strut Assembly	SS4	12.75"	—	—	13.54"	20.77"	7.23"	—	P01600
171286L†	Complete Strut Assembly	SS4	15.8"	—	—	16.3"	24.29"	7.99"	—	P01125,P00906
171286R†	Complete Strut Assembly	SS4	15.8"	—	—	16.3"	24.29"	7.99"	—	P01125,P00906
171291L†	Complete Strut Assembly	B4	9.6"	—	—	10.1"	15.35"	5.25"	—	P01125
171291R†	Complete Strut Assembly	B4	9.6"	—	—	10.1"	15.35"	5.25"	—	P01125
171292	Complete Strut Assembly	SS4	12.94"	—	—	13.25"	19.21"	5.96"	—	P00906,P01125
171293	Complete Strut Assembly	SS2	12.01"	—	—	12.51"	17.73"	5.22"	—	P00876
171299†	Complete Strut Assembly	SS2	16.15"	—	—	16.65"	25.28"	8.63"	—	P01125,P00906
171311	Complete Strut Assembly	SS4	12.63"	—	—	13.38"	20.38"	7"	—	P01600
171312	Complete Strut Assembly	SS2	10.87"	—	—	11.57"	16.57"	5"	—	P01125
171313†	Complete Strut Assembly	SS2	14"	—	—	14.5"	21.5"	7"	—	P01125
171321	Complete Strut Assembly	SPEC	16.04"	—	—	16.54"	19.06"	2.52"	—	P01113
171322†	Complete Strut Assembly	SS2	13.02"	—	—	13.52"	19.39"	5.87"	—	P01113
171325	Complete Strut Assembly	SS2	14.66"	—	—	15.16"	22.8"	7.64"	—	P01125
171327†	Complete Strut Assembly	SS2	11.73"	—	—	12.23"	17.36"	5.13"	—	P01125
171340L	Complete Strut Assembly	SS2	9.84"	—	—	10.24"	14.8"	4.56"	—	P01125
171340R	Complete Strut Assembly	SS2	9.84"	—	—	10.25"	14.81"	4.56"	—	P01125
171341†	Complete Strut Assembly	SPEC	10.57"	—	—	11.07"	16.08"	5.01"	—	P00857
171346†	Complete Strut Assembly	SS3	11.75"	—	—	12.25"	15.52"	3.27"	—	P01149
171347L	Complete Strut Assembly	SS2	13.12"	—	—	13.62"	17.93"	4.31"	—	P01101
171347R	Complete Strut Assembly	SS2	13.12"	—	—	13.62"	17.93"	4.31"	—	P01101
171348L†	Complete Strut Assembly	SS2	13"	—	—	13.5"	17.14"	3.64"	—	P01101
171348R†	Complete Strut Assembly	SS2	13"	—	—	13.5"	17.14"	3.64"	—	P01101
171351L	Complete Strut Assembly	SS3	13.25"	—	—	13.5"	16.18"	2.68"	—	P01101
171351R	Complete Strut Assembly	SS3	13.25"	—	—	13.5"	16.18"	2.68"	—	P01101
171352L†	Complete Strut Assembly	SS3	13.38"	—	—	13.63"	18.19"	4.57"	—	P01101
171352R†	Complete Strut Assembly	SS3	13.38"	—	—	13.63"	18.19"	4.57"	—	P01101
171353	Complete Strut Assembly	SS2	10.54"	—	—	11.04"	15.81"	4.77"	—	P01101
171354	Complete Strut Assembly	SS3	9.75"	—	—	10.53"	15.85"	5.32"	—	P01125
171358†	Complete Strut Assembly	SS2	10.39"	—	—	10.79"	14.62"	3.83"	—	P01101
171359	Complete Strut Assembly	SS3	10.87"	—	—	11.57"	16.57"	5"	—	P01125
171361†	Complete Strut Assembly	SS6	16.88"	—	—	17.33"	21.63"	4.3"	—	P01101
171362†	Complete Strut Assembly	SS2	15.3"	—	—	15.8"	20.74"	4.94"	—	P01101
171363L	Complete Strut Assembly	SS3	11"	—	—	11.75"	16"	4.25"	—	P01101
171363R	Complete Strut Assembly	SS3	11"	—	—	11.75"	16"	4.25"	—	P01101
171364	Complete Strut Assembly	B3	12"	—	—	12.38"	17.75"	5.38"	—	P01101
171366L	Complete Strut Assembly	SS2	17.63"	—	—	17.88"	21.63"	3.75"	—	P01127
171366R	Complete Strut Assembly	SS2	17.63"	—	—	17.88"	21.63"	3.75"	—	P01127
171367L	Complete Strut Assembly	SS2	13.25"	—	—	13.5"	18"	4.5"	—	P01127
171367R	Complete Strut Assembly	SS2	13.25"	—	—	13.5"	18"	4.5"	—	P01127
171368L†	Complete Strut Assembly	SS2	17.25"	—	—	17.75"	20.38"	2.63"	—	P01127
171368R†	Complete Strut Assembly	SS2	17.25"	—	—	17.75"	20.38"	2.63"	—	P01127
171369	Complete Strut Assembly	SS1	15.69"	—	—	16.14"	21.05"	4.91"	—	P01141

† Bumper Stop Unit. Dimension Shown at Bumper Contact

‡ Hydraulic Lockout Unit. Dimension Shown is Metal-to-Metal, Subtract Approximately 5/8" (.62) from the Extended Length for Start-of-Engagement.

MOUNTING & LENGTH SPECIFICATIONS

Part No.	Part Type	STRUT BODY		END CODE		LENGTHS			Spring (Rate)	Parts Pack(s)
		Type	Length	Upper	Lower	Comp.	Ext.	Trav.		
171370	Complete Strut Assembly	SS1	13.81"	—	—	14.26"	21.5"	7.24"	—	P01141
171371L	Complete Strut Assembly	SPEC	16.39"	—	—	16.89"	21.83"	4.91"	—	P01101
171371R	Complete Strut Assembly	SPEC	16.39"	—	—	16.89"	21.83"	4.54"	—	P01101
171372	Complete Strut Assembly	SS2	16.85"	—	—	17.13"	24.88"	7.75"	—	P01125
171373L	Complete Strut Assembly	SS2	11.73"	—	—	12.13"	18.82"	6.69"	—	P01125,P01709
171373R	Complete Strut Assembly	SS2	11.73"	—	—	12.13"	18.82"	6.69"	—	P01125,P01709
171377L†	Complete Strut Assembly	B4	13.57"	—	—	14.07"	20.32"	6.25"	—	P01580
171377R†	Complete Strut Assembly	B4	13.57"	—	—	14.07"	20.32"	6.25"	—	P01580
171379	Complete Strut Assembly	SS3	11.22"	—	—	11.9"	17.29"	5.39"	—	P01125
171380L†	Complete Strut Assembly	SS2	10.6"	—	—	11.1"	15.71"	4.61"	—	P01125
171380R†	Complete Strut Assembly	SS2	10.6"	—	—	11.1"	15.7"	4.61"	—	P01125
171398	Complete Strut Assembly	SS2	16.16"	—	—	16.66"	19.18"	2.52"	—	P01113
171400	Complete Strut Assembly	B10	12.13"	—	—	12.63"	18.75"	6.13"	—	P01113
171401	Complete Strut Assembly	B11	12.13"	—	—	12.63"	18.75"	6.13"	—	P01113
171404	Complete Strut Assembly	B10	12.68"	—	—	12.95"	19.68"	6.73"	—	P01101
171405	Complete Strut Assembly	B10	12.68"	—	—	12.95"	19.69"	6.73"	—	P01101
171406	Complete Strut Assembly	B10	13.72"	—	—	14.31"	22.17"	7.86"	—	P01113
171407	Complete Strut Assembly	B10	13.72"	—	—	14.31"	22.17"	7.86"	—	P01113
171410	Complete Strut Assembly	B10	16.35"	—	—	16.85"	25.15"	8.3"	—	P01113
171411	Complete Strut Assembly	B10	16.35"	—	—	16.85"	25.15"	8.3"	—	P01113
171412	Complete Strut Assembly	B9	15.25"	—	—	15.38"	21.63"	6.25"	—	P01113
171413	Complete Strut Assembly	B9	15.25"	—	—	15.38"	21.63"	6.25"	—	P01113
171417	Complete Strut Assembly	B4	11.63"	—	—	11.99"	16.79"	4.8"	—	P01101
171418	Complete Strut Assembly	B11	13.93"	—	—	14.47"	21.1"	6.63"	—	P01101
171419	Complete Strut Assembly	B11	13.97"	—	—	14.47"	21.1"	6.63"	—	P01101
171424‡	Complete Strut Assembly	B9	12.01"	—	—	12.5"	20.07"	7.58"	—	P01123
171425‡	Complete Strut Assembly	B9	12"	—	—	12.99"	20.08"	7.09"	—	P01123
171426	Complete Strut Assembly	B10	12.81"	—	—	13.63"	20.49"	6.88"	—	P01101
171427	Complete Strut Assembly	B10	13.12"	—	—	13.62"	20.49"	6.87"	—	P01101
171433	Complete Strut Assembly	B14	12.36"	—	—	12.6"	19.1"	6.41"	—	P01101
171434	Complete Strut Assembly	B14	12.36"	—	—	12.6"	19.1"	6.41"	—	P01101
171435	Complete Strut Assembly	B11	15.92"	—	—	16.42"	23.01"	6.59"	—	P01101
171436	Complete Strut Assembly	B11	15.92"	—	—	16.42"	23.01"	6.59"	—	P01101
171437	Complete Strut Assembly	B10	15.24"	—	—	15.66"	21.77"	6.11"	—	P01101
171438	Complete Strut Assembly	B10	15.24"	—	—	15.66"	21.77"	6.11"	—	P01101
171441†	Complete Strut Assembly	B10	15.25"	—	—	15.73"	22.6"	6.87"	—	P01101
171442‡	Complete Strut Assembly	B10	15.75"	—	—	16"	22.63"	6.63"	—	P01101
171443	Complete Strut Assembly	B9	13.94"	—	—	14.19"	20.72"	6.54"	—	P01113
171444	Complete Strut Assembly	B9	13.94"	—	—	14.19"	20.72"	6.54"	—	P01113
171447	Complete Strut Assembly	B14	13.67"	—	—	14.17"	20.71"	6.54"	—	P01113
171448	Complete Strut Assembly	B14	13.67"	—	—	14.17"	20.71"	6.54"	—	P01113
171451	Complete Strut Assembly	B11	14.21"	—	—	14.48"	21.69"	7.21"	—	P01101
171452	Complete Strut Assembly	B11	14.21"	—	—	14.48"	21.69"	7.21"	—	P01101
171453	Complete Strut Assembly	B11	14.94"	—	—	15.47"	22.8"	7.33"	—	P01101
171454	Complete Strut Assembly	B11	14.97"	—	—	15.47"	22.8"	7.33"	—	P01101
171459	Complete Strut Assembly	B11	16.75"	—	—	18"	25.38"	7.38"	—	P01123
171460	Complete Strut Assembly	B11	16.75"	—	—	18"	25.38"	7.38"	—	P01123
171461	Complete Strut Assembly	B11	13.97"	—	—	14.47"	21.1"	6.63"	—	P01101
171462	Complete Strut Assembly	B11	13.97"	—	—	14.47"	21.1"	6.63"	—	P01101
171463	Complete Strut Assembly	B10	15.04"	—	—	15.35"	21.65"	6.3"	—	P01113
171464	Complete Strut Assembly	B10	15.04"	—	—	15.35"	21.65"	6.3"	—	P01113
171490	Complete Strut Assembly	B11	14.38"	—	—	14.5"	21.75"	7.25"	—	P01101
171491	Complete Strut Assembly	B11	14.38"	—	—	14.5"	21.75"	7.25"	—	P01101
171492‡	Complete Strut Assembly	B11	15.34"	—	—	15.84"	24.49"	8.65"	—	P01113
171493‡	Complete Strut Assembly	B11	15.34"	—	—	15.84"	24.49"	8.65"	—	P01113
171494‡	Complete Strut Assembly	B2	15.43"	—	—	15.9"	21.14"	5.24"	—	P01101
171495‡	Complete Strut Assembly	B2	15.43"	—	—	15.9"	21.14"	5.24"	—	P01101
171496‡	Complete Strut Assembly	B2	17.08"	—	—	16.71"	24.35"	7.64"	—	P01113
171497‡	Complete Strut Assembly	B2	17.08"	—	—	16.71"	24.35"	7.64"	—	P01113
171504‡	Complete Strut Assembly	B4	13.48"	—	—	13.98"	20.28"	6.3"	—	P01113
171505‡	Complete Strut Assembly	B4	13.48"	—	—	13.98"	20.28"	6.3"	—	P01113

† Bumper Stop Unit. Dimension Shown at Bumper Contact

‡ Hydraulic Lockout Unit. Dimension Shown is Metal-to-Metal, Subtract Approximately 5/8" (.62) from the Extended Length for Start-of-Engagement.

MOUNTING & LENGTH SPECIFICATIONS

Part No.	Part Type	STRUT BODY		END CODE		LENGTHS			Spring (Rate)	Parts Pack(s)
		Type	Length	Upper	Lower	Comp.	Ext.	Trav.		
171525	Complete Strut Assembly	B4	13.11"	—	—	13.93"	20.63"	6.7"	—	P01605
171555†	Complete Strut Assembly	B11	14.24"	—	—	14.74"	20.65"	5.9"	—	P01756
171556†	Complete Strut Assembly	B11	14.24"	—	—	14.74"	20.65"	5.9"	—	P01756
171562	Complete Strut Assembly	SPEC	8"	—	—	8.5"	13.38"	4.88"	—	P01113
171563	Complete Strut Assembly	SPEC	8"	—	—	8.5"	13.38"	4.88"	—	P01113
171565L†	Complete Strut Assembly	B3	9.58"	—	—	10.31"	13.33"	3.02"	—	None
171565R†	Complete Strut Assembly	B3	9.58"	—	—	10.31"	13.33"	3.02"	—	None
171566†	Complete Strut Assembly	B11	12.91"	—	—	12.83"	18.78"	5.95"	—	P01113
171567†	Complete Strut Assembly	B11	12.91"	—	—	12.83"	18.78"	5.95"	—	P01113
171572L†	Complete Strut Assembly	B11	10.96"	—	—	11.46"	18.56"	7.1"	—	P01149
171572R†	Complete Strut Assembly	B11	10.96"	—	—	11.46"	18.56"	7.16"	—	P01149
171573†	Complete Strut Assembly	B10	16.66"	—	—	15.73"	22.6"	6.87"	—	P01101
171574†	Complete Strut Assembly	B10	14.66"	—	—	15.73"	22.6"	6.87"	—	P01101
171575	Complete Strut Assembly	B10	12.87"	—	—	13.38"	20.5"	7.12"	—	BE17110543
171577L	Complete Strut Assembly	B4	9.38"	—	—	9.63"	13.88"	4.25"	—	P01580
171577R	Complete Strut Assembly	B4	9.38"	—	—	9.63"	13.88"	4.25"	—	P01580
171578†	Complete Strut Assembly	B10	15.18"	—	—	15.68"	24.38"	8.7"	—	P01124
171579†	Complete Strut Assembly	B10	15.18"	—	—	15.68"	24.38"	8.7"	—	P01124
171580†	Complete Strut Assembly	B11	10.53"	—	—	10.83"	18"	7.17"	—	P01149
171581	Complete Strut Assembly	B3	10.21"	—	—	10.71"	15.74"	5.03"	—	P01113
171582	Complete Strut Assembly	B3	10.21"	—	—	10.71"	15.74"	5.03"	—	P01113
171583L	Complete Strut Assembly	SS2	10.92"	—	—	11.42"	15.85"	4.43"	—	P01125
171583R	Complete Strut Assembly	SS2	10.92"	—	—	11.42"	15.85"	4.43"	—	P01125
171584	Complete Strut Assembly	B11	13.88"	—	—	14"	22.5"	8.58"	—	P01113
171585	Complete Strut Assembly	B11	13.88"	—	—	14"	22.5"	8.5"	—	P01113
171588†	Complete Strut Assembly	B11	14.88"	—	—	15"	23.38"	8.38"	—	P00762
171589	Complete Strut Assembly	B9	14.5"	—	—	15"	23.38"	8.38"	—	P00762
171592†	Complete Strut Assembly	B11	10.33"	—	—	10.83"	18"	7.17"	—	P01149
171593	Complete Strut Assembly	B11	16.88"	—	—	17.75"	25"	7.25"	—	P01123
171594	Complete Strut Assembly	B11	16.88"	—	—	17.75"	25"	7.25"	—	P01123
171597	Complete Strut Assembly	B9	14.21"	—	—	14.48"	21.06"	6.58"	—	P01101
171598	Complete Strut Assembly	B9	14.21"	—	—	14.48"	21.06"	6.58"	—	P01101
171600	Complete Strut Assembly	B11	13.25"	—	—	13.75"	20.5"	6.75"	—	P01113
171601	Complete Strut Assembly	B11	13.25"	—	—	13.75"	20.5"	6.75"	—	P01113
171615	Complete Strut Assembly	B4	13.66"	—	—	13.81"	17.94"	4.13"	—	P01149
171616	Complete Strut Assembly	B3	15.96"	—	—	16.2"	22.03"	5.83"	—	P01149
171661	Complete Strut Assembly	B5	9.99"	—	—	10.27"	16.68"	6.41"	—	P01141
171662L	Complete Strut Assembly	B2	15.42"	—	—	15.53"	23.09"	7.56"	—	P01141
171662R	Complete Strut Assembly	B2	15.42"	—	—	15.53"	23.09"	7.56"	—	P01141
171663L	Complete Strut Assembly	B9	15.15"	—	—	15.65"	23.09"	7.44"	—	P01141
171663R	Complete Strut Assembly	B9	15.15"	—	—	15.65"	23.09"	7.44"	—	P01141
171665	Complete Strut Assembly	B5	9.88"	—	—	10.38"	17.5"	7.13"	—	P01293
171667	Complete Strut Assembly	B13	10.63"	—	—	11.13"	17.38"	6.25"	—	P01373,P01505
171668	Complete Strut Assembly	B13	10.63"	—	—	11.13"	17.38"	6.25"	—	P01373,P01505
171669†	Complete Strut Assembly	B4	17.4"	—	—	17.9"	26.69"	8.79"	—	P01113,P01699
171670	Complete Strut Assembly	B9	10.02"	—	—	10.46"	15.52"	5.06"	—	P01141
171671L	Complete Strut Assembly	B9	15.42"	—	—	15.58"	21.86"	6.28"	—	P01141
171671R	Complete Strut Assembly	B9	15.42"	—	—	15.58"	21.86"	6.28"	—	P01141
171672†	Complete Strut Assembly	B5	10.56"	—	—	11.06"	18.08"	7.02"	—	P01124
171674†	Complete Strut Assembly	B11	13.04"	—	—	13.5"	18.86"	5.36"	—	P01101
171675†	Complete Strut Assembly	B11	13.04"	—	—	13.5"	18.86"	5.36"	—	P01101
171678	Complete Strut Assembly	B10	13.75"	—	—	13.88"	20.13"	6.25"	—	P01101
171679	Complete Strut Assembly	B10	12.91"	—	—	13.88"	20.13"	6.25"	—	P01101
171680	Complete Strut Assembly	B10	16.5"	—	—	17"	24.25"	7.25"	—	P01113
171681	Complete Strut Assembly	B10	15.68"	—	—	16.31"	24.21"	7.9"	—	P01113
171682†	Complete Strut Assembly	B11	13.84"	—	—	14.34"	21.7"	7.36"	—	P01101
171683†	Complete Strut Assembly	B11	12.84"	—	—	14.34"	21.7"	7.36"	—	P01101
171684†	Complete Strut Assembly	B5	14.6"	—	—	11"	15.64"	4.64"	—	P01293
171685†	Complete Strut Assembly	B11	9.65"	—	—	10.15"	16.47"	6.32"	—	P01293
171686	Complete Strut Assembly	B2	11.63"	—	—	12.13"	20.38"	8.25"	—	P01295
171691L†	Complete Strut Assembly	B3	11.19"	—	—	11.5"	16.79"	5.29"	—	P01509

† Bumper Stop Unit. Dimension Shown at Bumper Contact

‡ Hydraulic Lockout Unit. Dimension Shown is Metal-to-Metal, Subtract Approximately 5/8" (.62) from the Extended Length for Start-of-Engagement.

MOUNTING & LENGTH SPECIFICATIONS

Part No.	Part Type	STRUT BODY		END CODE		LENGTHS			Spring (Rate)	Parts Pack(s)
		Type	Length	Upper	Lower	Comp.	Ext.	Trav.		
171691R†	Complete Strut Assembly	B3	11.19"	—	—	11.5"	16.79"	5.29"	—	P01509
171771	Complete Strut Assembly	B5	9.7"	—	—	10.3"	16.91"	6.61"	—	P01124
171780	Complete Strut Assembly	B4	14.63"	—	—	14.75"	21.13"	6.38"	—	P01149
171781†	Complete Strut Assembly	B4	15.64"	—	—	16.14"	24.33"	8.19"	—	P01149
171797	Complete Strut Assembly	B5	10.84"	—	—	11.47"	18.52"	7.05"	—	P01113
171798†	Complete Strut Assembly	B15	13.3"	—	—	13.8"	21"	7.2"	—	P00857
171799†	Complete Strut Assembly	B7	13.03"	—	—	13.53"	21"	7.47"	—	P00857
171819L	Complete Strut Assembly	B5	10.38"	—	—	10.88"	17.25"	6.38"	—	P01149
171819R	Complete Strut Assembly	B5	10.38"	—	—	10.88"	17.25"	6.38"	—	P01149
171820	Complete Strut Assembly	B5	9.8"	—	—	10.3"	16.8"	6.5"	—	P01124
171822	Complete Strut Assembly	B5	10.84"	—	—	11.47"	18.52"	7.05"	—	P01113
171831	Complete Strut Assembly	B7	10.02"	—	—	10.53"	18.49"	7.96"	—	P01394
171833†	Complete Strut Assembly	B11	11.85"	—	—	12.35"	18.74"	6.39"	—	P01149
171845L†	Complete Strut Assembly	SS4	15.92"	—	—	16.42"	20.54"	4.12"	—	P01113
171845R†	Complete Strut Assembly	SS4	15.92"	—	—	16.42"	20.54"	4.12"	—	P01113
171855L	Complete Strut Assembly	B5	10.38"	—	—	10.88"	17.25"	6.38"	—	P01149
171855R	Complete Strut Assembly	B5	10.38"	—	—	10.88"	17.25"	6.38"	—	P01149
171875†	Complete Strut Assembly	B4	10.01"	—	—	10.51"	15.43"	4.92"	—	P01101
171878†	Complete Strut Assembly	B10	11.49"	—	—	11.99"	18.42"	6.43"	—	P01123
171880	Complete Strut Assembly	B2	14.38"	—	—	14.5"	22.75"	8.25"	—	P01125
171900	Complete Strut Assembly	B11	13.33"	—	—	14.21"	20.22"	6.01"	—	P01101
171901	Complete Strut Assembly	B11	13.33"	—	—	14.25"	20.22"	5.97"	—	P01101
171920	Complete Strut Assembly	B4	14.63"	—	—	14.75"	21.13"	6.38"	—	P01149
171921	Complete Strut Assembly	B13	10.88"	—	—	11.38"	17.5"	6.13"	—	P01124
171922	Complete Strut Assembly	B13	10.88"	—	—	11.38"	17.5"	6.13"	—	P01124
171924	Complete Strut Assembly	B17	9.94"	—	—	10.23"	17.08"	6.85"	—	P01569
171925†	Complete Strut Assembly	B10	12.1"	—	—	12.6"	19.58"	6.98"	—	P01570
171933	Complete Strut Assembly	B9	11.99"	—	—	13.54"	20.47"	6.93"	—	P01497
171937	Complete Strut Assembly	B13	10.63"	—	—	11.13"	17.25"	6.13"	—	P01149,P01505
171938	Complete Strut Assembly	B13	10.63"	—	—	11.13"	17.25"	6.13"	—	P01149,P01505
171939	Complete Strut Assembly	B3	18.88"	—	—	19"	27.5"	8.5"	—	P01149,P01699
171941	Complete Strut Assembly	B11	12.45"	—	—	12.95"	18.86"	5.91"	—	P01101
171942	Complete Strut Assembly	B11	12.45"	—	—	12.95"	18.86"	5.91"	—	P01101
171943	Complete Strut Assembly	B11	14.46"	—	—	14.96"	22.28"	7.32"	—	P01101
171944	Complete Strut Assembly	B11	14.46"	—	—	14.96"	22.28"	7.32"	—	P01101
171945	Complete Strut Assembly	B4	9.6"	—	—	10.1"	15.35"	5.25"	—	P01125
171946	Complete Strut Assembly	B4	9.6"	—	—	10.1"	15.35"	5.25"	—	P01125
171951	Complete Strut Assembly	B9	12.86"	—	—	13.36"	18.81"	5.95"	—	P01101
171952	Complete Strut Assembly	B2	12.84"	—	—	13.36"	18.81"	5.45"	—	P01101
171953†	Complete Strut Assembly	B11	15.03"	—	—	15.53"	22.5"	6.97"	—	P01173
171954†	Complete Strut Assembly	B9	15.03"	—	—	15.53"	22.5"	6.97"	—	P01173
171957	Complete Strut Assembly	B2	15.68"	—	—	16.31"	24.21"	7.9"	—	P01107
171958	Complete Strut Assembly	B2	15.68"	—	—	16.31"	24.21"	7.9"	—	P01107
171959	Complete Strut Assembly	B5	9.63"	—	—	10.13"	15.5"	5.38"	—	P01149
171960†	Complete Strut Assembly	B9	13.64"	—	—	14.15"	19.23"	5.08"	—	P01373
171964L†	Complete Strut Assembly	B10	11.97"	—	—	13"	19.55"	6.55"	—	P01149
171964R†	Complete Strut Assembly	B10	11.97"	—	—	13"	19.55"	6.55"	—	P01149
171973	Complete Strut Assembly	B10	10.88"	—	—	11.38"	17.75"	6.38"	—	P01124
171979	Complete Strut Assembly	B11	12.81"	—	—	13.88"	20.12"	6.24"	—	P01101
171980	Complete Strut Assembly	B11	12.91"	—	—	13.88"	20.12"	6.24"	—	P01101
171984†	Complete Strut Assembly	B4	16.15"	—	—	15.55"	24.84"	9.29"	—	P01176
171989†	Complete Strut Assembly	B4	10.31"	—	—	10.81"	15.94"	5.13"	—	P01101
171992†	Complete Strut Assembly	B2	11.05"	—	—	12.05"	18.55"	6.5"	—	P01123
171994	Complete Strut Assembly	B2	14.38"	—	—	14.63"	22.75"	8.13"	—	P01125
172101	Complete Strut Assembly	B10	16.23"	—	—	15.9"	20.2"	4.3"	—	P01101
172102	Complete Strut Assembly	B10	15.44"	—	—	15.9"	20.2"	4.3"	—	P01101
172103	Complete Strut Assembly	B17	18.13"	—	—	17.86"	26.02"	8.16"	—	P01113
172104	Complete Strut Assembly	B10	18.13"	—	—	17.86"	26.02"	8.16"	—	P01113
172105	Complete Strut Assembly	B10	12.91"	—	—	12.83"	18.78"	5.95"	—	P01113
172106†	Complete Strut Assembly	B10	12.91"	—	—	12.83"	18.78"	5.95"	—	P01113
172107†	Complete Strut Assembly	B10	18.33"	—	—	17.86"	26.02"	8.16"	—	P01113

† Bumper Stop Unit. Dimension Shown at Bumper Contact

‡ Hydraulic Lockout Unit. Dimension Shown is Metal-to-Metal, Subtract Approximately 5/8" (.62) from the Extended Length for Start-of-Engagement.

MOUNTING & LENGTH SPECIFICATIONS

Part No.	Part Type	STRUT BODY		END CODE		LENGTHS			Spring (Rate)	Parts Pack(s)
		Type	Length	Upper	Lower	Comp.	Ext.	Trav.		
172108†	Complete Strut Assembly	B10	13.07"	—	—	12.83"	18.78"	5.95"	—	P01113
172111	Complete Strut Assembly	B9	12.38"	—	—	12.88"	19.25"	6.38"	—	P01113
172112	Complete Strut Assembly	B9	12.38"	—	—	12.88"	19.25"	6.38"	—	P01113
172113†	Complete Strut Assembly	B11	9.99"	—	—	10.27"	16.68"	6.41"	—	P01141
172114	Complete Strut Assembly	B9	12.87"	—	—	13.37"	20.43"	7.06"	—	P01113
172115	Complete Strut Assembly	B9	12.87"	—	—	13.37"	20.43"	7.06"	—	P01113
172116†	Complete Strut Assembly	B11	12.97"	—	—	13.47"	20.64"	7.17"	—	P01113
172117†	Complete Strut Assembly	B11	12.97"	—	—	13.47"	20.64"	7.17"	—	P01113
172120	Complete Strut Assembly	B11	13"	—	—	14"	19.38"	5.38"	—	P01125
172121	Complete Strut Assembly	B11	13"	—	—	14"	19.38"	5.38"	—	P01125
172122	Complete Strut Assembly	B4	12.94"	—	—	13.44"	20.08"	6.64"	—	P01113
172123L	Complete Strut Assembly	SS2	11.7"	—	—	12.2"	16.56"	4.36"	—	P01101,P00876
172123R	Complete Strut Assembly	SS2	11.7"	—	—	12.2"	16.56"	4.36"	—	P01101,P00876
172124	Complete Strut Assembly	B13	13.09"	—	—	13.12"	19.1"	5.98"	—	P01101
172125	Complete Strut Assembly	B13	13.09"	—	—	13.12"	19.1"	5.98"	—	P01101
172126	Complete Strut Assembly	B10	15.38"	—	—	15.75"	22.88"	7.13"	—	P01101
172127	Complete Strut Assembly	B10	15.38"	—	—	15.75"	22.88"	7.13"	—	P01101
172130L†	Complete Strut Assembly	B18	12.88"	—	—	13.38"	20.23"	6.85"	—	P01149
172130R†	Complete Strut Assembly	B18	12.88"	—	—	13.38"	20.23"	6.85"	—	P01149
172135	Complete Strut Assembly	B11	13.87"	—	—	14.37"	21.5"	7.13"	—	P01101
172136	Complete Strut Assembly	B11	13.87"	—	—	14.37"	21.5"	7.13"	—	P01101
172138	Complete Strut Assembly	B9	15.59"	—	—	16.09"	21.63"	5.54"	—	P01127
172139†	Complete Strut Assembly	B9	13.57"	—	—	13.35"	19.38"	6.03"	—	P01101
172140†	Complete Strut Assembly	B9	13.57"	—	—	13.35"	19.38"	6.03"	—	P01101
172141†	Complete Strut Assembly	B9	13.52"	—	—	13.19"	20.94"	7.75"	—	P01101
172142	Complete Strut Assembly	B9	13.51"	—	—	13.06"	20.94"	7.88"	—	P01101
172143†	Complete Strut Assembly	B17	14.03"	—	—	14.53"	21.1"	6.67"	—	P01101
172144†	Complete Strut Assembly	B15	13.9"	—	—	14.4"	21.1"	6.7"	—	P01101
172147†	Complete Strut Assembly	B9	12.85"	—	—	13.35"	19.11"	5.76"	—	P01101
172148†	Complete Strut Assembly	B9	12.85"	—	—	13.35"	19.11"	0.23"	—	P01101
172162	Complete Strut Assembly	B12	14.26"	—	—	14.76"	23.82"	9.06"	—	P01113
172163	Complete Strut Assembly	B12	14.26"	—	—	14.76"	23.82"	9.06"	—	P01113
172170	Complete Strut Assembly	B17	13.95"	—	—	14.45"	21.34"	6.89"	—	P01123
172171	Complete Strut Assembly	B18	13.95"	—	—	14.45"	21.34"	6.89"	—	P01123
172174	Complete Strut Assembly	B13	10.88"	—	—	11.35"	17.71"	6.36"	—	P01124
172177†	Complete Strut Assembly	B11	9.99"	—	—	10.27"	16.68"	6.41"	—	P01141
172179L	Complete Strut Assembly	B10	9.71"	—	—	11.02"	17.6"	6.58"	—	P01149
172179R	Complete Strut Assembly	B10	9.71"	—	—	11.02"	17.6"	6.58"	—	P01149
172183†	Complete Strut Assembly	B11	13.62"	—	—	13.72"	19.68"	5.96"	—	P01759
172184†	Complete Strut Assembly	B11	13.62"	—	—	13.72"	19.68"	5.96"	—	P01759
172185	Complete Strut Assembly	B14	12.88"	—	—	13.38"	19.88"	6.5"	—	P01101
172186	Complete Strut Assembly	B14	12.88"	—	—	13.38"	19.88"	6.5"	—	P01101
172191	Complete Strut Assembly	B11	13.38"	—	—	14"	20.38"	6.38"	—	P01101
172192	Complete Strut Assembly	B11	13.38"	—	—	14"	20.38"	6.38"	—	P01101
172193	Complete Strut Assembly	B11	14.25"	—	—	14.88"	22.25"	7.38"	—	P01113
172194	Complete Strut Assembly	B11	14.25"	—	—	14.88"	22.25"	7.38"	—	P01113
172195†	Complete Strut Assembly	B4	12.95"	—	—	13.54"	19.09"	5.55"	—	P01113
172199†	Complete Strut Assembly	B10	10.39"	—	—	10.89"	17.91"	7.02"	—	P01113
172200†	Complete Strut Assembly	B11	12.63"	—	—	13.75"	20.5"	6.75"	—	P01113
172203	Complete Strut Assembly	B10	9.94"	—	—	10.44"	17.2"	6.76"	—	P01662
172205†	Complete Strut Assembly	B17	13.81"	—	—	14.49"	21.77"	7.28"	—	P01101
172206†	Complete Strut Assembly	B10	13.81"	—	—	14.49"	21.77"	7.28"	—	P01101
172207	Complete Strut Assembly	B11	15.47"	—	—	15.97"	24.49"	8.52"	—	P01113
172208	Complete Strut Assembly	B9	15.26"	—	—	15.97"	24.49"	8.52"	—	P01113
172209†	Complete Strut Assembly	B10	11.56"	—	—	13"	20.94"	7.94"	—	P01572,P01573
172210†	Complete Strut Assembly	B10	12.37"	—	—	12.87"	20.94"	8.07"	—	P01572,P01573
172211	Complete Strut Assembly	B17	16.08"	—	—	16.95"	23.72"	6.77"	—	P01101
172212	Complete Strut Assembly	B17	16.08"	—	—	16.95"	23.72"	6.77"	—	P01101
172213	Complete Strut Assembly	B17	17.01"	—	—	17.32"	24.31"	6.99"	—	P01101
172214	Complete Strut Assembly	B17	17.01"	—	—	17.32"	24.31"	6.99"	—	P01101
172215	Complete Strut Assembly	B9	14.31"	—	—	15.41"	22.93"	7.52"	—	P01101

† Bumper Stop Unit. Dimension Shown at Bumper Contact

‡ Hydraulic Lockout Unit. Dimension Shown is Metal-to-Metal, Subtract Approximately 5/8" (.62) from the Extended Length for Start-of-Engagement.

MOUNTING & LENGTH SPECIFICATIONS

Part No.	Part Type	STRUT BODY		END CODE		LENGTHS			Spring (Rate)	Parts Pack(s)
		Type	Length	Upper	Lower	Comp.	Ext.	Trav.		
172216	Complete Strut Assembly	B9	14.31"	—	—	15.41"	22.93"	7.52"	—	P01101
172217†	Complete Strut Assembly	B10	11.55"	—	—	12.31"	20.59"	8.28"	—	P01124
172218†	Complete Strut Assembly	B10	11.56"	—	—	12.31"	20.59"	8.28"	—	P01124
172219	Complete Strut Assembly	B12	14.92"	—	—	15.18"	21.35"	6.17"	—	P01101
172220	Complete Strut Assembly	B12	14.92"	—	—	15.18"	21.35"	6.17"	—	P01101
172221	Complete Strut Assembly	B9	15.4"	—	—	15.9"	23.27"	7.37"	—	P01113
172222	Complete Strut Assembly	B9	15.41"	—	—	15.91"	23.27"	7.36"	—	P01113
172229†	Complete Strut Assembly	B9	17.06"	—	—	15"	21.69"	6.69"	—	P01101
172230†	Complete Strut Assembly	B9	17.06"	—	—	15"	21.69"	6.69"	—	P01101
172231†	Complete Strut Assembly	B13	9.64"	—	—	10.14"	16.68"	6.54"	—	P01141
172236†	Complete Strut Assembly	B9	16.04"	—	—	16.54"	23.82"	7.28"	—	P01101
172237†	Complete Strut Assembly	B9	16.04"	—	—	16.54"	23.82"	7.28"	—	P01101
172238	Complete Strut Assembly	B13	13.6"	—	—	13.38"	19.09"	5.71"	—	P01101
172239	Complete Strut Assembly	B13	13.6"	—	—	13.38"	19.09"	5.71"	—	P01101
172240†	Complete Strut Assembly	B11	13.12"	—	—	13.62"	20.49"	6.89"	—	P01101
172241†	Complete Strut Assembly	B11	13.12"	—	—	13.62"	20.49"	6.89"	—	P01101
172242	Complete Strut Assembly	B9	15.59"	—	—	15.71"	21.61"	5.91"	—	P01113
172243	Complete Strut Assembly	B9	15.59"	—	—	15.71"	21.61"	5.91"	—	P01113
172244	Complete Strut Assembly	B3	12.13"	—	—	12.6"	16.58"	3.98"	—	P01101
172245	Complete Strut Assembly	B11	14.24"	—	—	14.72"	20.59"	5.87"	—	P01113
172246	Complete Strut Assembly	B11	13.22"	—	—	13.72"	18.96"	5.24"	—	P01113
172247	Complete Strut Assembly	B11	13.22"	—	—	13.72"	18.96"	5.24"	—	P01113
172248†	Complete Strut Assembly	SS6	19.33"	—	—	19.83"	24.98"	5.15"	—	P01149,P00590
172250	Complete Strut Assembly	SS5	18.9"	—	—	19.45"	23.94"	4.49"	—	P01113
172251	Complete Strut Assembly	SS4	18.9"	—	—	19.45"	23.94"	4.49"	—	P01113
172254L†	Complete Strut Assembly	B3	12.04"	—	—	12.81"	17.33"	4.52"	—	P01149
172254R†	Complete Strut Assembly	B3	12.04"	—	—	12.81"	17.33"	4.52"	—	P01149
172257†	Complete Strut Assembly	B4	13.04"	—	—	13.54"	19.96"	6.42"	—	P01113
172258†	Complete Strut Assembly	B4	13.04"	—	—	13.54"	19.96"	6.42"	—	P01113
172261	Complete Strut Assembly	B4	12.95"	—	—	13.54"	18.01"	4.47"	—	P01113
172263	Complete Strut Assembly	B4	11.75"	—	—	12.25"	18.94"	6.69"	—	P01572,P01573
172264†	Complete Strut Assembly	B4	11.75"	—	—	12.25"	18.94"	6.69"	—	P01572, P01573
172265	Complete Strut Assembly	B4	12.32"	—	—	11.02"	16.22"	5.2"	—	P01149
172266	Complete Strut Assembly	B4	12.32"	—	—	11.02"	16.22"	5.2"	—	P01149
172267	Complete Strut Assembly	B9	14.55"	—	—	15.04"	22.21"	7.17"	—	P01101
172268	Complete Strut Assembly	B11	14.55"	—	—	15.04"	22.21"	7.17"	—	P01101
172271†	Complete Strut Assembly	B11	13.71"	—	—	14.21"	21.59"	7.37"	—	P01101
172272†	Complete Strut Assembly	B11	13.71"	—	—	14.21"	21.59"	7.37"	—	P01101
172275	Complete Strut Assembly	B11	14.17"	—	—	15.12"	20.98"	5.86"	—	P01101
172276	Complete Strut Assembly	B11	14.17"	—	—	15.12"	20.98"	5.86"	—	P01101
172278†	Complete Strut Assembly	B9	13.9"	—	—	10.79"	16.68"	5.89"	—	P01141
172281	Complete Strut Assembly	B4	12.17"	—	—	12.91"	16.56"	3.65"	—	P01101
172284†	Complete Strut Assembly	B11	12.77"	—	—	10.6"	17.49"	6.89"	—	P01101
172285	Complete Strut Assembly	B10	10.1"	—	—	10.6"	17.49"	6.89"	—	P01101
172286	Complete Strut Assembly	B11	9.93"	—	—	10.43"	17.36"	6.93"	—	P01101
172287	Complete Strut Assembly	B11	9.93"	—	—	10.43"	17.36"	6.93"	—	P01101
172288	Complete Strut Assembly	B10	14.95"	—	—	15.45"	21.54"	6.09"	—	P01754, P01618
172289	Complete Strut Assembly	B10	14.95"	—	—	15.45"	21.54"	6.09"	—	P01754, P01618
172292	Complete Strut Assembly	SS6	14.7"	—	—	15.2"	21.19"	4.99"	—	P01141
172295	Complete Strut Assembly	B11	13.04"	—	—	13.78"	20.1"	6.32"	—	P01752
172296	Complete Strut Assembly	B11	13.04"	—	—	13.78"	20.1"	6.32"	—	P01752
172297	Complete Strut Assembly	B11	12.45"	—	—	12.95"	19.27"	6.32"	—	P01113
172298	Complete Strut Assembly	B11	12.45"	—	—	12.95"	19.27"	6.32"	—	P01113
172299	Complete Strut Assembly	B9	15.43"	—	—	16.69"	21.43"	4.74"	—	P01101
172300	Complete Strut Assembly	B9	15.43"	—	—	16.69"	21.43"	4.74"	—	P01101
172301	Complete Strut Assembly	B9	12.81"	—	—	13.31"	19.69"	6.38"	—	P01101
172302	Complete Strut Assembly	B9	12.81"	—	—	13.31"	19.69"	6.38"	—	P01101
172303	Complete Strut Assembly	B9	13.81"	—	—	14.31"	22.25"	7.94"	—	P01113
172304	Complete Strut Assembly	B9	13.81"	—	—	14.31"	22.25"	7.94"	—	P01113
172305	Complete Strut Assembly	B10	12.75"	—	—	13.19"	19.81"	6.63"	—	P01101
172306	Complete Strut Assembly	B10	12.69"	—	—	13.19"	19.81"	6.63"	—	P01101

† Bumper Stop Unit. Dimension Shown at Bumper Contact

‡ Hydraulic Lockout Unit. Dimension Shown is Metal-to-Metal, Subtract Approximately 5/8" (.62) from the Extended Length for Start-of-Engagement.

MOUNTING & LENGTH SPECIFICATIONS

Part No.	Part Type	STRUT BODY		END CODE		LENGTHS			Spring (Rate)	Parts Pack(s)
		Type	Length	Upper	Lower	Comp.	Ext.	Trav.		
172307	Complete Strut Assembly	B10	13.81"	—	—	14.49"	21.38"	6.89"	—	P01101
172308	Complete Strut Assembly	B17	13.81"	—	—	14.49"	21.38"	6.89"	—	P01101
172309	Complete Strut Assembly	B12	15.23"	—	—	15.96"	24.09"	8.13"	—	P01113
172310	Complete Strut Assembly	B12	15.23"	—	—	15.96"	24.09"	8.13"	—	P01113
172311	Complete Strut Assembly	B3	14.89"	—	—	15.39"	21.77"	6.38"	—	P01735
172321	Complete Strut Assembly	B11	9.29"	—	—	9.79"	16.65"	6.7"	—	P01293
172322L	Complete Strut Assembly	B4	11.71"	—	—	12.21"	16.68"	14.47"	—	P01101, P01108
172322R	Complete Strut Assembly	—	11.71"	—	—	12.21"	16.68"	14.47"	—	P01101, P01108
172324	Complete Strut Assembly	SS3	16.92"	—	—	17.19"	24.75"	7.56"	—	P01125
172331†	Complete Strut Assembly	SS2	12.82"	—	—	13.3"	20.25"	6.95"	—	P01125
172332†	Complete Strut Assembly	B10	14.72"	—	—	12.09"	18.45"	6.35"	—	P01101
172333†	Complete Strut Assembly	B10	14.72"	—	—	12.09"	18.45"	6.35"	—	P01101
172336†	Complete Strut Assembly	B2	16.04"	—	—	13.03"	19.41"	6.38"	—	P01759
172337†	Complete Strut Assembly	B2	16.04"	—	—	13.03"	19.41"	6.38"	—	P01759
172343	Complete Strut Assembly	B9	16.77"	—	—	14.94"	21.25"	6.31"	—	P01101
172344	Complete Strut Assembly	B9	16.77"	—	—	14.94"	21.25"	6.31"	—	P01101
172345	Complete Strut Assembly	B9	14.89"	—	—	15.39"	20.24"	4.85"	—	P01113
172346	Complete Strut Assembly	B9	14.89"	—	—	15.39"	20.24"	4.85"	—	P01113
172347	Complete Strut Assembly	B9	14.13"	—	—	14.63"	21.56"	6.94"	—	P01101
172348	Complete Strut Assembly	B9	14.13"	—	—	14.63"	21.56"	6.94"	—	P01101
172351	Complete Strut Assembly	B9	14.38"	—	—	14.88"	18.94"	4.06"	—	P01735
172352	Complete Strut Assembly	B11	14.38"	—	—	14.88"	18.94"	4.06"	—	P01735
172355	Complete Strut Assembly	B9	14.04"	—	—	14.31"	21.56"	7.25"	—	P01101
172356	Complete Strut Assembly	B9	14.04"	—	—	14.31"	21.56"	7.25"	—	P01101
172357	Complete Strut Assembly	B11	13.44"	—	—	13.94"	20.5"	6.56"	—	P01113
172358	Complete Strut Assembly	B11	13.5"	—	—	14"	20.5"	6.5"	—	P01113
172359†	Complete Strut Assembly	B2	16.04"	—	—	13.03"	19.41"	6.38"	—	P01759
172360†	Complete Strut Assembly	B2	16.04"	—	—	13.03"	19.41"	6.38"	—	P01759
172363	Complete Strut Assembly	B10	14.5"	—	—	16"	23.31"	7.31"	—	P01101
172364	Complete Strut Assembly	B10	14.5"	—	—	16"	23.31"	7.31"	—	P01101
172365†	Complete Strut Assembly	B10	17.16"	—	—	16.87"	23.71"	6.84"	—	P01101
172366†	Complete Strut Assembly	B10	17.16"	—	—	16.87"	23.71"	6.84"	—	P01101
172367	Complete Strut Assembly	B18	13.04"	—	—	13.54"	20.08"	6.54"	—	P01101
172368	Complete Strut Assembly	B18	13.04"	—	—	13.54"	20.08"	6.54"	—	P01101
172369	Complete Strut Assembly	B9	15.74"	—	—	16.38"	21.63"	5.25"	—	P01101
172370	Complete Strut Assembly	B9	15.74"	—	—	16.38"	21.63"	5.25"	—	P01101
172371	Complete Strut Assembly	B9	12.97"	—	—	12.28"	17.8"	5.51"	—	P01123
172372	Complete Strut Assembly	B9	12.97"	—	—	12.28"	17.8"	5.51"	—	P01123
172378	Complete Strut Assembly	B9	12.59"	—	—	13.09"	19.79"	6.68"	—	P01735,P01573
172379	Complete Strut Assembly	B9	12.59"	—	—	13.09"	19.77"	6.81"	—	P01735,P01573
172382	Complete Strut Assembly	B9	16.81"	—	—	17.91"	25.35"	7.44"	—	P01113
172383	Complete Strut Assembly	B9	16.81"	—	—	17.91"	25.35"	7.44"	—	P01113
172384†	Complete Strut Assembly	B11	16.4"	—	—	16.05"	21.93"	5.88"	—	P01113
172385†	Complete Strut Assembly	B10	16.38"	—	—	16.05"	21.93"	5.88"	—	P01113
172390†	Complete Strut Assembly	B10	13.89"	—	—	13.25"	20.59"	7.34"	—	P01101
172391†	Complete Strut Assembly	B10	13.89"	—	—	13.25"	20.59"	7.34"	—	P01101
172392	Complete Strut Assembly	B9	13.33"	—	—	13.83"	17.38"	3.92"	—	P01735,P01573
172393	Complete Strut Assembly	B9	13.33"	—	—	13.83"	17.38"	3.92"	—	P01735,P01573
172394L	Complete Strut Assembly	SS2	12.06"	—	—	12.56"	18.82"	6.26"	—	P01709, P01125
172394R	Complete Strut Assembly	SS2	12.06"	—	—	12.56"	18.82"	6.26"	—	P01709, P01125
172397	Complete Strut Assembly	SS3	12.24"	—	—	12.63"	19.56"	6.94"	—	P01101
172398L	Complete Strut Assembly	SS2	12.06"	—	—	12.56"	18.29"	2.73"	—	
172398R	Complete Strut Assembly	SS2	12.06"	—	—	12.56"	18.29"	2.73"	—	
172399	Complete Strut Assembly	SS2	11.47"	—	—	11.97"	17.4"	5.43"	—	P01125
172400L	Complete Strut Assembly	SS3	10.69"	—	—	11.19"	13.25"	2.06"	—	P01125, P01709
172400R	Complete Strut Assembly	SS3	10.69"	—	—	11.19"	13.25"	2.06"	—	P01125, P01709
172401	Complete Strut Assembly	SS2	11.74"	—	—	12.44"	18.96"	6.52"	—	P01125
172408†	Complete Strut Assembly	SS4	19.33"	—	—	19.83"	24.98"	5.15"	—	P01149
172412	Complete Strut Assembly	B9	15.88"	—	—	16.38"	23.88"	7.5"	—	P01113
172413	Complete Strut Assembly	B9	15.88"	—	—	16.38"	25.88"	9.5"	—	P01113
172414	Complete Strut Assembly	B9	15.31"	—	—	16.38"	23.88"	7.5"	—	P01113

† Bumper Stop Unit. Dimension Shown at Bumper Contact

‡ Hydraulic Lockout Unit. Dimension Shown is Metal-to-Metal, Subtract Approximately 5/8" (.62) from the Extended Length for Start-of-Engagement.

MOUNTING & LENGTH SPECIFICATIONS

Part No.	Part Type	STRUT BODY		END CODE		LENGTHS			Spring (Rate)	Parts Pack(s)
		Type	Length	Upper	Lower	Comp.	Ext.	Trav.		
172415	Complete Strut Assembly	B9	15.31"	—	—	16.38"	23.88"	7.5"	—	P01113
172416	Complete Strut Assembly	B9	15.88"	—	—	16.38"	23.88"	7.5"	—	P1113
172417	Complete Strut Assembly	B9	15.88"	—	—	16.38"	23.88"	7.5"	—	P1113
172423	Complete Strut Assembly	B11	15.05"	—	—	15.55"	22.73"	7.18"	—	P01101
172424	Complete Strut Assembly	B11	15.05"	—	—	15.55"	22.73"	7.18"	—	P01101
172425	Complete Strut Assembly	B10	14.89"	—	—	15.39"	20.71"	5.32"	—	P01113
172426	Complete Strut Assembly	B10	14.89"	—	—	15.39"	20.71"	5.32"	—	P01113
172433	Complete Strut Assembly	B10	14.7"	—	—	15.2"	20.15"	4.95"	—	P01101
172434	Complete Strut Assembly	B18	14.69"	—	—	15.19"	20.13"	4.94"	—	P01101
172437	Complete Strut Assembly	B11	15.25"	—	—	15.75"	20.94"	5.19"	—	P01101
172438	Complete Strut Assembly	B11	15.25"	—	—	15.75"	20.94"	5.19"	—	P01101
172441	Complete Strut Assembly	B9	14.95"	—	—	15.45"	21.54"	6.09"	—	P01754
172442	Complete Strut Assembly	B10	14.92"	—	—	15.42"	21.54"	6.12"	—	P01754
172443	Complete Strut Assembly	B11	16.52"	—	—	17.02"	25.33"	8.31"	—	P01123
172444	Complete Strut Assembly	B11	16.52"	—	—	17.02"	25.33"	8.31"	—	P01123
172445	Complete Strut Assembly	B9	16.81"	—	—	17.91"	25.31"	7.4"	—	P01113
172446	Complete Strut Assembly	B9	16.81"	—	—	17.91"	25.31"	7.4"	—	P01113
172448	Complete Strut Assembly	B11	13.39"	—	—	13.89"	20.55"	4.09"	—	P00762
172449	Complete Strut Assembly	B11	13.39"	—	—	13.89"	20.55"	6.66"	—	P00762
172450	Complete Strut Assembly	B10	15.63"	—	—	14.9"	22.42"	7.52"	—	P01113
172451	Complete Strut Assembly	B10	15.63"	—	—	14.9"	22.42"	7.52"	—	P01113
172455	Complete Strut Assembly	B11	16.54"	—	—	16.34"	24.28"	7.94"	—	P01113
172456	Complete Strut Assembly	B11	16.54"	—	—	16.34"	24.28"	7.94"	—	P01113
172457	Complete Strut Assembly	B10	13.8"	—	—	13.66"	20.22"	6.56"	—	P01101
172458	Complete Strut Assembly	B10	13.8"	—	—	13.66"	20.22"	6.56"	—	P01101
172468	Complete Strut Assembly	B9	13.21"	—	—	13.83"	19.17"	5.34"	—	P01113
172469	Complete Strut Assembly	B9	13.21"	—	—	13.83"	19.17"	5.34"	—	P01113
172471L	Complete Strut Assembly	B10	15.42"	—	—	15.53"	23.09"	7.56"	—	P01141
172471R	Complete Strut Assembly	B10	15.42"	—	—	15.53"	23.09"	7.56"	—	P01141
172479	Complete Strut Assembly	B9	12.99"	—	—	14.33"	20.43"	6.1"	—	P01735
172483	Complete Strut Assembly	B10	16.61"	—	—	17.15"	23.76"	6.61"	—	P01101
172484	Complete Strut Assembly	B10	16.61"	—	—	17.15"	23.76"	6.61"	—	P01101
172485†	Complete Strut Assembly	B11	18.74"	—	—	18.96"	26.34"	7.38"	—	P01101
172486†	Complete Strut Assembly	B11	18.74"	—	—	18.96"	26.34"	7.38"	—	P01101
172489†	Complete Strut Assembly	B11	17.19"	—	—	17.42"	24.55"	7.13"	—	P01101
172490†	Complete Strut Assembly	B11	17.19"	—	—	17.42"	24.55"	7.13"	—	P01101
172491†	Complete Strut Assembly	B11	15.46"	—	—	12.23"	20.53"	8.3"	—	P01690
172492†	Complete Strut Assembly	B11	15.46"	—	—	12.23"	20.53"	8.3"	—	P01690
172493	Complete Strut Assembly	B9	17.41"	—	—	17.91"	25.7"	7.79"	—	P01123
172494	Complete Strut Assembly	B9	17.41"	—	—	17.91"	25.7"	7.79"	—	P01123
172497L	Complete Strut Assembly	SS2	10.52"	—	—	11.02"	15.55"	4.53"	—	P01125
172497R	Complete Strut Assembly	SS2	10.52"	—	—	11.02"	15.55"	4.53"	—	P01125
172498	Complete Strut Assembly	B9	14.29"	—	—	13.98"	19.84"	5.87"	—	P01113
172499	Complete Strut Assembly	B9	14.29"	—	—	13.98"	19.84"	5.87"	—	P01113
172501	Complete Strut Assembly	SS3	9.92"	—	—	10.94"	16.27"	6.35"	—	P01125
172504	Complete Strut Assembly	B11	14.04"	—	—	14.31"	21.56"	7.25"	—	P01101
172505	Complete Strut Assembly	B11	14.04"	—	—	14.31"	21.56"	7.25"	—	P01101
172508	Complete Strut Assembly	SS3	10.87"	—	—	11.97"	17.4"	5.43"	—	P01125
172509†	Complete Strut Assembly	B11	11.17"	—	—	11.67"	18.81"	7.14"	—	P01101
172510†	Complete Strut Assembly	B11	11.17"	—	—	11.67"	18.81"	7.14"	—	P01101
172515†	Complete Strut Assembly	B11	14.78"	—	—	14.12"	19.86"	5.74"	—	P01759
172516†	Complete Strut Assembly	B11	14.78"	—	—	14.12"	19.86"	5.74"	—	P01759
172518	Complete Strut Assembly	B11	10.77"	—	—	11.27"	19.12"	7.85"	—	P01141
172522†	Complete Strut Assembly	B3	13.28"	—	—	11.19"	17.89"	6.71"	—	P01572, P01573
172523†	Complete Strut Assembly	B3	13.28"	—	—	11.19"	17.89"	6.71"	—	P01572, P01573
172524	Complete Strut Assembly	B14	12.59"	—	—	13.38"	20.04"	6.65"	—	P00762
172525	Complete Strut Assembly	B14	12.59"	—	—	13.38"	20.04"	6.65"	—	P00762
172526†	Complete Strut Assembly	B11	13.17"	—	—	13.67"	21.03"	7.36"	—	P01572, P01573
172527†	Complete Strut Assembly	B11	13.17"	—	—	13.67"	21.03"	7.36"	—	P01572, P01573
172528†	Complete Strut Assembly	B18	13.57"	—	—	13.72"	19.51"	5.78"	—	P01759
172529†	Complete Strut Assembly	B18	13.57"	—	—	13.72"	19.51"	5.78"	—	P01759

† Bumper Stop Unit. Dimension Shown at Bumper Contact

‡ Hydraulic Lockout Unit. Dimension Shown is Metal-to-Metal, Subtract Approximately 5/8" (.62) from the Extended Length for Start-of-Engagement.

MOUNTING & LENGTH SPECIFICATIONS

Part No.	Part Type	STRUT BODY		END CODE		LENGTHS			Spring (Rate)	Parts Pack(s)
		Type	Length	Upper	Lower	Comp.	Ext.	Trav.		
172530†	Complete Strut Assembly	B4	10.48"	—	—	10.98"	18.11"	7.13"	—	P01595
172531†	Complete Strut Assembly	B4	10.46"	—	—	10.96"	18.11"	7.15"	—	P01595
172532†	Complete Strut Assembly	B4	14.48"	—	—	12.1"	19.22"	7.12"	—	P01127
172533†	Complete Strut Assembly	B4	14.48"	—	—	12.1"	19.22"	7.12"	—	P01127
172536†	Complete Strut Assembly	B11	16.7"	—	—	14.92"	22.18"	7.28"	—	P01101
172537†	Complete Strut Assembly	B11	16.7"	—	—	14.92"	22.18"	7.28"	—	P01101
172540	Complete Strut Assembly	B11	15.11"	—	—	15.61"	22.13"	6.52"	—	Two P00876
172560	Complete Strut Assembly	B9	16.86"	—	—	13.81"	20.67"	6.86"	—	P01101
172561	Complete Strut Assembly	B9	16.86"	—	—	13.81"	20.67"	6.86"	—	P01101
172562L†	Complete Strut Assembly	B4	11.9"	—	—	12.4"	16.77"	4.37"	—	P01101,P01113
172562R†	Complete Strut Assembly	B4	11.9"	—	—	12.4"	16.77"	4.37"	—	P01101,P01113
172563†	Complete Strut Assembly	SS4	15.8"	—	—	15.99"	23.07"	7.08"	—	P01125,P00762
172565†	Complete Strut Assembly	B9	14.61"	—	—	15.16"	20.52"	5.37"	—	P01113
172566†	Complete Strut Assembly	B9	14.61"	—	—	15.16"	20.52"	5.37"	—	P01113
172568†	Complete Strut Assembly	B4	15.29"	—	—	13.54"	19.07"	5.53"	—	P01113
172569†	Complete Strut Assembly	B4	15.29"	—	—	13.54"	19.07"	5.53"	—	P01113
172585†	Complete Strut Assembly	B11	13.31"	—	—	13.81"	20.76"	6.95"	—	P01101
172586†	Complete Strut Assembly	B11	13.31"	—	—	13.81"	20.76"	6.95"	—	P01101
172596	Complete Strut Assembly	B3	12.95"	—	—	13.54"	18.01"	4.47"	—	P01113
172597	Complete Strut Assembly	B11	12.89"	—	—	13.39"	20.57"	7.18"	—	P01101
172598	Complete Strut Assembly	B11	12.89"	—	—	13.39"	20.57"	7.18"	—	P01101
172599L	Complete Strut Assembly	SS3	11.73"	—	—	12.23"	16.62"	4.39"	—	P01709, P01125
172599R	Complete Strut Assembly	SS3	11.73"	—	—	12.23"	16.62"	4.39"	—	P01709, P01125
172600L†	Complete Strut Assembly	SS2	10.94"	—	—	11.45"	13.87"	2.42"	—	P01125, P01709
172600R†	Complete Strut Assembly	SS2	10.94"	—	—	11.45"	13.87"	2.42"	—	P01125, P01709
172604†	Complete Strut Assembly	B10	14.34"	—	—	13.64"	17.27"	3.63"	—	P01774
172605†	Complete Strut Assembly	B10	14.34"	—	—	13.64"	17.27"	3.63"	—	P01774
172606	Complete Strut Assembly	B11	16.8"	—	—	16.26"	20.96"	4.97"	—	
172607	Complete Strut Assembly	B11	16.8"	—	—	16.26"	20.96"	4.7"	—	
172608†	Complete Strut Assembly	B9	15.16"	—	—	15.57"	21.26"	5.69"	—	P01573, P01735
172609†	Complete Strut Assembly	B9	15.16"	—	—	15.57"	21.26"	5.69"	—	P01573, P01735
172610†	Complete Strut Assembly	B4	14.5"	—	—	11.95"	18.11"	6.16"	—	P01127
172611†	Complete Strut Assembly	B4	14.5"	—	—	11.95"	18.11"	6.16"	—	P01127
172612†	Complete Strut Assembly	B4	13.98"	—	—	11.58"	17.61"	6.03"	—	P01127
172613†	Complete Strut Assembly	B4	13.98"	—	—	11.58"	17.61"	6.03"	—	P01127
172614†	Complete Strut Assembly	B4	13.6"	—	—	11.11"	16.99"	5.88"	—	P01127
172615†	Complete Strut Assembly	B4	13.6"	—	—	11.11"	16.99"	5.88"	—	P01127
172618	Complete Strut Assembly	B4	14.48"	—	—	12.36"	18.58"	6.22"	—	P01572, P01573
172619	Complete Strut Assembly	B4	14.48"	—	—	12.36"	18.58"	6.22"	—	P01572, P01573
172620†	Complete Strut Assembly	B11	16.02"	—	—	11.8"	17.33"	5.53"	—	Two P00876
172621†	Complete Strut Assembly	B11	16.02"	—	—	11.8"	17.33"	5.53"	—	Two P00876
172624†	Complete Strut Assembly	B4	15.3"	—	—	13.65"	18.01"	4.36"	—	P01113
172625†	Complete Strut Assembly	B4	15.3"	—	—	13.65"	18.01"	4.36"	—	P01113
172626†	Complete Strut Assembly	B11	14.86"	—	—	15.21"	18.95"	3.74"	—	P01773
172627†	Complete Strut Assembly	B11	14.86"	—	—	15.21"	18.95"	3.74"	—	P01773
172638†	Complete Strut Assembly	B11	13.52"	—	—	14.02"	20.72"	6.7"	—	P01735
172640†	Complete Strut Assembly	B9	15.23"	—	—	15.84"	24.09"	8.25"	—	P01113
172641	Complete Strut Assembly	B4	13.76"	—	—	11.28"	17.4"	6.12"	—	P01751
172642	Complete Strut Assembly	B4	13.76"	—	—	11.28"	17.4"	6.12"	—	P01751
172647	Complete Strut Assembly	B9	17.87"	—	—	17.45"	24.67"	7.22"	—	P01101
172648	Complete Strut Assembly	B9	17.87"	—	—	17.45"	24.67"	7.22"	—	P01101
172651L†	Complete Strut Assembly	SS7	16.21"	—	—	16.47"	20.89"	4.42"	—	P01141, P01772
172651R†	Complete Strut Assembly	SS7	16.21"	—	—	16.47"	20.89"	4.42"	—	P01141, P01772
172652L†	Complete Strut Assembly	SS7	17.03"	—	—	17.18"	21.63"	4.45"	—	P01141, P01772
172652R†	Complete Strut Assembly	SS7	17.03"	—	—	17.18"	21.63"	4.45"	—	P01141, P01772
172653†	Complete Strut Assembly	B11	14.3"	—	—	14.45"	21.18"	6.73"	—	Two P00857
172654†	Complete Strut Assembly	B11	14.3"	—	—	14.45"	21.18"	6.73"	—	Two P00857
172655†	Complete Strut Assembly	B11	14.5"	—	—	15.09"	21.69"	6.6"	—	Two P00857
172656†	Complete Strut Assembly	B11	14.5"	—	—	15.09"	21.69"	6.6"	—	Two P00857
172663†	Complete Strut Assembly	B11	14.86"	—	—	15.21"	18.95"	3.74"	—	P01773
172664†	Complete Strut Assembly	B11	14.86"	—	—	15.21"	18.95"	3.74"	—	P01773

† Bumper Stop Unit. Dimension Shown at Bumper Contact

‡ Hydraulic Lockout Unit. Dimension Shown is Metal-to-Metal, Subtract Approximately 5/8" (.62) from the Extended Length for Start-of-Engagement.

MOUNTING & LENGTH SPECIFICATIONS

Part No.	Part Type	STRUT BODY		END CODE		LENGTHS			Spring (Rate)	Parts Pack(s)
		Type	Length	Upper	Lower	Comp.	Ext.	Trav.		
172665†	Complete Strut Assembly	SPEC	19.53"	—	—	20.36"	25.5"	5.14"	—	P01113
172678	Complete Strut Assembly	B11	14.93"	—	—	15.43"	21.3"	5.87"	—	P01113
172679	Complete Strut Assembly	B11	14.93"	—	—	15.43"	21.3"	5.87"	—	P01113
172680	Complete Strut Assembly	B18	13"	—	—	13.42"	19.76"	6.3"	—	P01113
172681	Complete Strut Assembly	B18	13"	—	—	13.42"	19.76"	6.3"	—	P01113
172684	Complete Strut Assembly	B18	14.31"	—	—	14.76"	20.83"	6.07"	—	P01113
172685	Complete Strut Assembly	B18	14.31"	—	—	14.76"	20.83"	6.07"	—	P01113
172686	Complete Strut Assembly	B18	16.74"	—	—	17.2"	22.6"	5.4"	—	P01113
172687	Complete Strut Assembly	B18	16.74"	—	—	17.2"	22.6"	5.4"	—	P01113
172688	Complete Strut Assembly	B10	13.02"	—	—	13.52"	19.61"	6.09"	—	P01101
172689	Complete Strut Assembly	B11	13.02"	—	—	13.52"	19.61"	6.09"	—	P01101
172692L	Complete Strut Assembly	SS5	15.79"	—	—	16.34"	22.83"	6.49"	—	P01125
172692R	Complete Strut Assembly	SS5	15.79"	—	—	16.34"	22.83"	6.49"	—	P01125
172693	Complete Strut Assembly	B3	14.37"	—	—	15.43"	19.8"	4.37"	—	P01509
172694	Complete Strut Assembly	B3	14.37"	—	—	15.43"	19.8"	4.37"	—	P01509
172695	Complete Strut Assembly	SS2	13.91"	—	—	14.41"	18.94"	4.53"	—	P01125
172696	Complete Strut Assembly	SS3	12.6"	—	—	13.22"	18.9"	5.68"	—	P01125
172706	Complete Strut Assembly	B11	12.85"	—	—	13.35"	19.57"	6.22"	—	P00762
172707	Complete Strut Assembly	B11	12.85"	—	—	13.35"	19.57"	6.22"	—	P00762
172708	Complete Strut Assembly	B11	13.28"	—	—	13.78"	19.17"	5.39"	—	P01101
172709	Complete Strut Assembly	B11	13.28"	—	—	13.78"	19.17"	5.39"	—	P01101
172712	Complete Strut Assembly	B11	16.19"	—	—	16.69"	23.74"	7.05"	—	P01101
172713	Complete Strut Assembly	B11	16.19"	—	—	16.69"	23.74"	7.05"	—	P01101
172720	Complete Strut Assembly	B11	13.7"	—	—	14.2"	20.27"	6.07"	—	P01101
172721	Complete Strut Assembly	B11	13.7"	—	—	14.2"	20.27"	6.07"	—	P01101
172727†	Complete Strut Assembly	B4	14.48"	—	—	12.12"	19.22"	7.1"	—	P01127, P01717
172728†	Complete Strut Assembly	B4	14.48"	—	—	12.12"	19.22"	7.1"	—	P01127
172729†	Complete Strut Assembly	B11	16.17"	—	—	11.8"	17.45"	5.65"	—	Two P00857
172730†	Complete Strut Assembly	B11	16.17"	—	—	11.8"	17.45"	5.65"	—	Two P00857
172741	Complete Strut Assembly	B9	16.35"	—	—	16.04"	24.19"	8.15"	—	P01113
172742	Complete Strut Assembly	B9	16.35"	—	—	16.04"	24.19"	8.15"	—	P01113
172743	Complete Strut Assembly	B4	13.27"	—	—	11.19"	11.19"	6.03"	—	P01572, P01573
172744	Complete Strut Assembly	B4	13.27"	—	—	11.19"	11.19"	6.03"	—	P01572, P01573
172752	Complete Strut Assembly	B4	14.48"	—	—	12.36"	18.58"	6.22"	—	P01572, P01573
172753	Complete Strut Assembly	B4	14.48"	—	—	12.36"	18.58"	6.22"	—	P01572, P01573
172763	Complete Strut Assembly	B9	16.83"	—	—	17.33"	24.61"	7.28"	—	P01101
172764	Complete Strut Assembly	B9	16.83"	—	—	17.33"	24.61"	7.28"	—	P01101
172765	Complete Strut Assembly	B9	16.56"	—	—	16.26"	22.44"	6.18"	—	P01101
172766	Complete Strut Assembly	B9	16.56"	—	—	16.26"	22.44"	6.18"	—	P01101
172770	Complete Strut Assembly	B4	14.24"	—	—	15.43"	17.85"	2.42"	—	P01101, P01113
172771	Complete Strut Assembly	B4	14.24"	—	—	15.43"	17.85"	2.42"	—	P01101, P01113
172780L	Complete Strut Assembly	B11	16.28"	—	—	12.35"	16.81"	4.46"	—	P01113
172780R	Complete Strut Assembly	B11	16.28"	—	—	12.35"	16.81"	4.46"	—	P01113
172781	Complete Strut Assembly	B10	15.67"	—	—	16.32"	23.8"	7.63"	—	P01101
172782	Complete Strut Assembly	B10	15.67"	—	—	16.32"	23.8"	7.63"	—	P01101
172783	Complete Strut Assembly	B10	15.78"	—	—	16.28"	23.53"	7.25"	—	P01101
172784	Complete Strut Assembly	B10	15.78"	—	—	16.28"	23.53"	7.25"	—	P01101
172888†	Complete Strut Assembly	B18	16.52"	—	—	17.02"	24.13"	7.11"	—	P01127
172889†	Complete Strut Assembly	B18	16.52"	—	—	17.02"	24.13"	7.11"	—	P01127
172896	Complete Strut Assembly	SS3	11.83"	—	—	12.33"	19.11"	6.78"	—	P01125
172897†	Complete Strut Assembly	B11	15.89"	—	—	16.43"	21.91"	5.48"	—	P01573, P01735
172898†	Complete Strut Assembly	B11	15.89"	—	—	16.43"	21.91"	5.48"	—	P01573, P01735
172899L†	Complete Strut Assembly	B3	14.67"	—	—	12.86"	16.93"	4.07"	—	—
172899R†	Complete Strut Assembly	B3	14.67"	—	—	12.86"	16.93"	4.07"	—	—
172901†	Complete Strut Assembly	B11	14.43"	—	—	13.62"	18.03"	4.41"	—	—
172902†	Complete Strut Assembly	B11	14.43"	—	—	13.62"	18.03"	4.41"	—	—
172903†	Complete Strut Assembly	B11	13.9"	—	—	10.14"	16.68"	6.41"	—	P01141
172905	Complete Strut Assembly	B11	14.54"	—	—	13.97"	17.82"	3.85"	—	P01735, P01573
172906	Complete Strut Assembly	B11	14.54"	—	—	13.97"	17.82"	3.85"	—	P01735, P01573
172907†	Complete Strut Assembly	B3	13.27"	—	—	11.2"	17.9"	6.7"	—	P01572, P01573
172908†	Complete Strut Assembly	B3	13.27"	—	—	11.2"	17.9"	6.7"	—	P01572, P01573

† Bumper Stop Unit. Dimension Shown at Bumper Contact

‡ Hydraulic Lockout Unit. Dimension Shown is Metal-to-Metal, Subtract Approximately 5/8" (.62) from the Extended Length for Start-of-Engagement.

MOUNTING & LENGTH SPECIFICATIONS

Part No.	Part Type	STRUT BODY		END CODE		LENGTHS			Spring (Rate)	Parts Pack(s)
		Type	Length	Upper	Lower	Comp.	Ext.	Trav.		
172912	Complete Strut Assembly	B11	16.04"	—	—	13.04"	19.41"	6.37"	—	P01759
172913	Complete Strut Assembly	B11	16.04"	—	—	13.04"	19.41"	6.37"	—	P01759
172914	Complete Strut Assembly	B11	16.04"	—	—	13.03"	19.41"	6.38"	—	P01759
172915	Complete Strut Assembly	B11	16.04"	—	—	13.03"	19.41"	6.38"	—	P01759
172917	Complete Strut Assembly	B10	12.74"	—	—	13.24"	17.2"	3.96"	—	P01101
172918	Complete Strut Assembly	B10	12.74"	—	—	13.24"	17.2"	3.96"	—	P01101
172925†	Complete Strut Assembly	B11	13.25"	—	—	11.09"	15.94"	4.85"	—	P01101
172926†	Complete Strut Assembly	B11	13.25"	—	—	11.09"	15.94"	4.85"	—	P01101
172927	Complete Strut Assembly	B5	13.7"	—	—	11.09"	15.94"	4.85"	—	P01101
172928	Complete Strut Assembly	B5	13.7"	—	—	11.09"	15.94"	4.85"	—	P01101
172940†	Complete Strut Assembly	B10	14.53"	—	—	14.57"	21.46"	6.96"	—	P01101
172941†	Complete Strut Assembly	B10	14.53"	—	—	14.57"	21.46"	6.96"	—	P01101
172942†	Complete Strut Assembly	B9	16.7"	—	—	16.01"	23.97"	7.96"	—	P01113
172943†	Complete Strut Assembly	B9	16.7"	—	—	16.01"	23.97"	7.96"	—	P01113
172945	Complete Strut Assembly	B4	13.07"	—	—	12.22"	18.91"	6.69"	—	P01572,P01573
172946	Complete Strut Assembly	B4	13.07"	—	—	12.22"	18.91"	6.69"	—	P01572,P01573
172947	Complete Strut Assembly	B10	13.39"	—	—	13.82"	17.48"	3.66"	—	P01735
172948	Complete Strut Assembly	B10	13.39"	—	—	13.82"	17.48"	3.66"	—	P01735
172949	Complete Strut Assembly	B11	15.33"	—	—	11.23"	17.66"	6.43"	—	P01113
172950	Complete Strut Assembly	B10	16"	—	—	13.44"	17.57"	4.13"	—	P01101
172951	Complete Strut Assembly	B10	16"	—	—	13.44"	17.57"	4.13"	—	P01101
172952	Complete Strut Assembly	SS3	11.95"	—	—	13.01"	17.31"	4.3"	—	P01125
172955	Complete Strut Assembly	B11	16.62"	—	—	16.28"	20.95"	4.67"	—	P01113
172956	Complete Strut Assembly	B11	16.62"	—	—	16.28"	20.95"	4.67"	—	P01113
172957L	Complete Strut Assembly	SS3	12.07"	—	—	12.41"	16.83"	4.42"	—	P01125
172957R	Complete Strut Assembly	SS3	12.07"	—	—	12.41"	16.83"	4.42"	—	P01125
172962	Complete Strut Assembly	B11	16.67"	—	—	15.96"	23.28"	7.32"	—	P01101
172963	Complete Strut Assembly	B11	16.67"	—	—	15.96"	23.28"	7.32"	—	P01101
172964	Complete Strut Assembly	B9	17.47"	—	—	16.67"	25.56"	8.89"	—	P01101
172965	Complete Strut Assembly	B9	17.47"	—	—	16.67"	25.56"	8.89"	—	P01101
172966	Complete Strut Assembly	B9	18.74"	—	—	18.29"	26.38"	8.09"	—	P01101
172967	Complete Strut Assembly	B9	18.74"	—	—	18.29"	26.38"	8.09"	—	P01101
172970	Complete Strut Assembly	B3	13.63"	—	—	11.53"	16.31"	4.78"	—	P00866, P01101
172971	Complete Strut Assembly	B3	13.63"	—	—	11.53"	16.31"	4.78"	—	P00866, P01101
172974	Complete Strut Assembly	B9	17.06"	—	—	14.48"	21.69"	7.21"	—	P01101
172975	Complete Strut Assembly	B9	17.06"	—	—	14.48"	21.69"	7.21"	—	P01101
172980†	Complete Strut Assembly	B10	16.52"	—	—	16.71"	23.37"	6.66"	—	P01101
172981†	Complete Strut Assembly	B10	16.52"	—	—	16.71"	23.37"	6.66"	—	P01101
172984	Complete Strut Assembly	SS5	15.89"	—	—	16.33"	22.45"	6.12"	—	P01125
172989	Complete Strut Assembly	B11	13.54"	—	—	13.52"	20.16"	6.64"	—	P01101
172990	Complete Strut Assembly	B11	13.54"	—	—	13.52"	20.16"	6.64"	—	P01101
172991L	Complete Strut Assembly	SS3	11.94"	—	—	12.46"	16.62"	4.16"	—	P01125, P01709
172991R	Complete Strut Assembly	SS3	11.94"	—	—	12.46"	16.62"	4.16"	—	P01125, P01709
173029L†	Complete Strut Assembly	SS3	10.93"	—	—	11.3"	15.68"	4.38"	—	None
173029R†	Complete Strut Assembly	SS3	10.93"	—	—	11.3"	15.68"	4.38"	—	None
173030L†	Complete Strut Assembly	SS3	10.93"	—	—	11.3"	15.68"	4.38"	—	None
173030R†	Complete Strut Assembly	SS3	10.93"	—	—	11.3"	15.68"	4.38"	—	None
173031L	Complete Strut Assembly	SS7	15.78"	—	—	16.02"	20.91"	4.89"	—	P01141, P01772
173031R	Complete Strut Assembly	SS7	15.78"	—	—	16.02"	20.91"	4.89"	—	P01141, P01772
173032L	Complete Strut Assembly	SS7	16.93"	—	—	17.17"	22.09"	4.92"	—	P01141, P01772
173032R	Complete Strut Assembly	SS7	16.93"	—	—	17.17"	22.09"	4.92"	—	P01141, P01772
173049	Complete Strut Assembly	B9	16.58"	—	—	16.32"	23.8"	7.48"	—	P01101
173050	Complete Strut Assembly	B9	16.58"	—	—	16.32"	23.8"	7.48"	—	P01101
181100	Complete Strut Assembly	SS4	12.94"	—	—	13.44"	18.08"	4.64"	—	P01141
181101L†	Complete Strut Assembly	SS3	10.52"	—	—	11.02"	15.35"	4.33"	—	None
181101R†	Complete Strut Assembly	SS3	10.52"	—	—	11.02"	15.35"	4.33"	—	None
181102†	Complete Strut Assembly	SS3	10.49"	—	—	10.99"	15.56"	4.57"	—	None
181103	Complete Strut Assembly	SS3	10.49"	—	—	10.99"	15"	4.01"	—	P01101
181111	Complete Strut Assembly	SS6	14.93"	—	—	15.43"	21.26"	5.83"	—	P01141
181119L	Complete Strut Assembly	SS3	17.26"	—	—	17.76"	24.08"	6.32"	—	None
181119R	Complete Strut Assembly	SS3	17.26"	—	—	17.76"	24.08"	6.32"	—	None

† Bumper Stop Unit. Dimension Shown at Bumper Contact

‡ Hydraulic Lockout Unit. Dimension Shown is Metal-to-Metal, Subtract Approximately 5/8" (.62) from the Extended Length for Start-of-Engagement.

MOUNTING & LENGTH SPECIFICATIONS

Part No.	Part Type	STRUT BODY		END CODE		LENGTHS			Spring (Rate)	Parts Pack(s)
		Type	Length	Upper	Lower	Comp.	Ext.	Trav.		
181124†	Complete Strut Assembly	SPEC	18.82"	—	—	19.32"	20.42"	2.83"	—	P01113
181125†	Complete Strut Assembly	SS3	13.02"	—	—	13.52"	19.39"	5.87"	—	P01113
181126	Complete Strut Assembly	SS3	12.37"	—	—	13.18"	20.3"	7.12"	—	None
181128L†	Complete Strut Assembly	B10	11.96"	—	—	12.46"	19.5"	7.04"	—	P01113
181128R†	Complete Strut Assembly	B10	11.96"	—	—	12.46"	19.5"	7.04"	—	P01113
181130	Complete Strut Assembly	B11	11.59"	—	—	12.09"	19.6"	7.51"	—	
181131	Complete Strut Assembly	B11	11.59"	—	—	12.09"	19.6"	7.51"	—	
181138	Complete Strut Assembly	SS1	15.65"	—	—	16.15"	20.03"	3.88"	—	P01141
181140	Complete Strut Assembly	SS2	15.88"	—	—	16.38"	21.18"	4.8"	—	P01141
181141	Complete Strut Assembly	SS2	16.68"	—	—	17.17"	21.64"	4.47"	—	P01141
181265	Complete Strut Assembly	SS2	16"	—	—	16.5"	25.03"	8.53"	—	P1422
181266	Complete Strut Assembly	SS4	12.76"	—	—	13.26"	19.21"	5.95"	—	None
181281	Complete Strut Assembly	SS2	17.13"	—	—	17.38"	23.75"	6.38"	—	P01392
181291L†	Complete Strut Assembly	B4	9.6"	—	—	10.1"	15.35"	5.25"	—	P01125
181291R†	Complete Strut Assembly	B4	9.6"	—	—	10.1"	15.35"	5.25"	—	P01125
181292	Complete Strut Assembly	SS4	12.75"	—	—	13.25"	19.21"	5.96"	—	P1125 & P906
181293	Complete Strut Assembly	SS2	12.01"	—	—	12.51"	17.73"	5.22"	—	P00876
181299†	Complete Strut Assembly	SS2	16.15"	—	—	16.65"	25.28"	8.63"	—	P01125,P00906
181311	Complete Strut Assembly	SS4	13.52"	—	—	14.02"	20.32"	6.3"	—	
181312	Complete Strut Assembly	SS2	10.87"	—	—	11.57"	16.57"	5"	—	P01125
181313	Complete Strut Assembly	SS2	14"	—	—	14.5"	21.5"	7"	—	P01125
181321	Complete Strut Assembly	SPEC	16.04"	—	—	16.54"	19.06"	2.52"	—	P01113
181322†	Complete Strut Assembly	SS2	13.02"	—	—	13.52"	19.39"	5.87"	—	P01113
181325	Complete Strut Assembly	SS2	14.66"	—	—	15.16"	22.8"	7.64"	—	P01125
181327	Complete Strut Assembly	SS2	11.73"	—	—	12.23"	17.36"	5.13"	—	P01125
181340L	Complete Strut Assembly	SS2	9.74"	—	—	10.2"	14.8"	4.52"	—	P01125
181340R	Complete Strut Assembly	SS2	9.74"	—	—	10.2"	14.8"	4.52"	—	P01125
181341†	Complete Strut Assembly	SPEC	10.57"	—	—	11.07"	16.08"	5.01"	—	P00857
181346†	Complete Strut Assembly	SS3	11.75"	—	—	12.25"	15.52"	3.27"	—	P01149
181347L	Complete Strut Assembly	SS2	13.12"	—	—	13.62"	17.93"	4.31"	—	P01101
181347R	Complete Strut Assembly	SS2	13.12"	—	—	13.62"	17.93"	4.31"	—	P01101
181348L†	Complete Strut Assembly	SS2	13"	—	—	13.5"	17.14"	3.64"	—	P01101
181348R†	Complete Strut Assembly	SS2	13"	—	—	13.5"	17.14"	3.64"	—	P01101
181351L†	Complete Strut Assembly	SS3	13.05"	—	—	13.5"	16.18"	2.68"	—	
181351R†	Complete Strut Assembly	SS3	13.05"	—	—	13.5"	16.18"	2.68"	—	
181352L†	Complete Strut Assembly	SS3	13.38"	—	—	13.63"	18.19"	4.57"	—	P01101
181352R†	Complete Strut Assembly	SS3	13.38"	—	—	13.63"	18.19"	4.57"	—	P01101
181353	Complete Strut Assembly	SS3	10.56"	—	—	11.04"	16.11"	5.07"	—	None
181358†	Complete Strut Assembly	SS3	10.39"	—	—	10.79"	14.62"	3.83"	—	P01101
181361†	Complete Strut Assembly	SS6	16.88"	—	—	17.33"	21.63"	4.3"	—	P01101
181362†	Complete Strut Assembly	SS2	15.3"	—	—	15.8"	20.74"	4.94"	—	P01101
181369	Complete Strut Assembly	SS2	15.64"	—	—	16.14"	19.75"	3.61"	—	P01141
181370	Complete Strut Assembly	SS1	13.81"	—	—	14.26"	21.5"	7.24"	—	P01141
181371L	Complete Strut Assembly	SS3	16.44"	—	—	16.89"	22.39"	5.5"	—	
181371R	Complete Strut Assembly	SS3	16.44"	—	—	16.89"	22.39"	5.5"	—	
181372†	Complete Strut Assembly	SS2	16.69"	—	—	17.19"	24.94"	7.75"	—	P01125
181373L	Complete Strut Assembly	SS2	11.73"	—	—	12.13"	18.82"	6.69"	—	P01125,P01709
181373R	Complete Strut Assembly	SS2	11.73"	—	—	12.13"	18.82"	6.69"	—	P01125,P01709
181377L†	Complete Strut Assembly	B4	13.57"	—	—	14.07"	20.32"	6.25"	—	P01580
181377R†	Complete Strut Assembly	B4	13.57"	—	—	14.07"	20.32"	6.25"	—	P01580
181380L	Complete Strut Assembly	SS1	10.77"	—	—	11.27"	15.71"	4.44"	—	
181380R	Complete Strut Assembly	SS1	10.77"	—	—	11.27"	15.71"	4.44"	—	
181398	Complete Strut Assembly	SS2	16.16"	—	—	16.66"	19.18"	2.52"	—	P1113
181400	Complete Strut Assembly	B10	12.13"	—	—	12.63"	18.75"	6.13"	—	P01113
181401	Complete Strut Assembly	B11	12.13"	—	—	12.63"	18.75"	6.13"	—	P01113
181404	Complete Strut Assembly	B11	12.45"	—	—	12.95"	19.69"	6.74"	—	
181405	Complete Strut Assembly	B11	12.45"	—	—	12.95"	19.69"	6.74"	—	
181406	Complete Strut Assembly	B11	13.81"	—	—	14.31"	22.17"	7.86"	—	
181407	Complete Strut Assembly	B11	13.81"	—	—	14.31"	22.17"	7.86"	—	
181410	Complete Strut Assembly	B2	17"	—	—	17.5"	25.13"	7.63"	—	P01113
181411	Complete Strut Assembly	B2	17"	—	—	17.5"	25.13"	7.63"	—	P01113

† Bumper Stop Unit. Dimension Shown at Bumper Contact

‡ Hydraulic Lockout Unit. Dimension Shown is Metal-to-Metal, Subtract Approximately 5/8" (.62) from the Extended Length for Start-of-Engagement.

MOUNTING & LENGTH SPECIFICATIONS

Part No.	Part Type	STRUT BODY		END CODE		LENGTHS			Spring (Rate)	Parts Pack(s)
		Type	Length	Upper	Lower	Comp.	Ext.	Trav.		
181412	Complete Strut Assembly	B9	15.25"	—	—	15.38"	21.63"	6.25"	—	P01113
181413	Complete Strut Assembly	B9	15.25"	—	—	15.38"	21.63"	6.25"	—	P01113
181417	Complete Strut Assembly	B4	11.49"	—	—	11.99"	16.79"	4.8"	—	
181418	Complete Strut Assembly	B9	14.45"	—	—	14.95"	21.1"	6.15"	—	
181419	Complete Strut Assembly	B9	14.45"	—	—	14.95"	21.1"	6.15"	—	
181426	Complete Strut Assembly	B10	12.81"	—	—	13.62"	20.49"	6.87"	—	P01101
181427	Complete Strut Assembly	B9	13.12"	—	—	13.62"	20.49"	6.87"	—	P01101
181433†	Complete Strut Assembly	B11	12.1"	—	—	12.6"	19.1"	6.5"	—	P01101
181434‡	Complete Strut Assembly	B11	11.1"	—	—	12.6"	19.1"	6.5"	—	P01101
181435	Complete Strut Assembly	B11	16"	—	—	16.38"	23"	6.63"	—	None
181436	Complete Strut Assembly	B11	16"	—	—	16.38"	23"	6.63"	—	None
181451	Complete Strut Assembly	B9	13.98"	—	—	14.48"	21.69"	7.21"	—	P01101
181452	Complete Strut Assembly	B9	13.98"	—	—	14.48"	21.69"	7.21"	—	P01101
181453	Complete Strut Assembly	B11	14.9"	—	—	15.47"	22.8"	7.33"	—	P01101
181454	Complete Strut Assembly	B11	14.97"	—	—	15.47"	22.8"	7.33"	—	None
181461	Complete Strut Assembly	B11	14.45"	—	—	14.95"	21.1"	6.15"	—	
181462	Complete Strut Assembly	B11	14.45"	—	—	14.95"	21.1"	6.15"	—	
181463	Complete Strut Assembly	B10	15.04"	—	—	15.35"	21.65"	6.3"	—	P01113
181464	Complete Strut Assembly	B10	15.04"	—	—	15.35"	21.65"	6.3"	—	P01113
181490	Complete Strut Assembly	B12	13.99"	—	—	14.5"	21.8"	7.28"	—	P01101
181491	Complete Strut Assembly	B12	13.99"	—	—	14.5"	21.8"	7.28"	—	P01101
181492	Complete Strut Assembly	B10	15.47"	—	—	15.97"	24.49"	8.52"	—	
181493	Complete Strut Assembly	B10	15.47"	—	—	15.97"	24.49"	8.52"	—	
181494	Complete Strut Assembly	B2	15.44"	—	—	15.9"	21.26"	5.36"	—	None
181495	Complete Strut Assembly	B2	15.44"	—	—	15.9"	21.26"	5.36"	—	None
181504†	Complete Strut Assembly	B4	13.48"	—	—	13.98"	20.28"	6.3"	—	P01113
181505†	Complete Strut Assembly	B4	13.48"	—	—	13.98"	20.28"	6.3"	—	P01113
181525	Complete Strut Assembly	B4	13.43"	—	—	13.93"	20.63"	6.7"	—	P01605
181572L†	Complete Strut Assembly	B11	10.96"	—	—	11.46"	18.56"	7.1"	—	P01149
181572R†	Complete Strut Assembly	B11	10.96"	—	—	11.46"	18.56"	7.1"	—	P01149
181577L	Complete Strut Assembly	B4	9.2"	—	—	9.7"	13.8"	4.12"	—	P01580
181577R	Complete Strut Assembly	B4	9.2"	—	—	9.7"	13.8"	4.12"	—	P01580
181578†	Complete Strut Assembly	B10	15.18"	—	—	15.68"	24.38"	8.7"	—	P01124
181579†	Complete Strut Assembly	B10	15.18"	—	—	15.68"	24.38"	8.7"	—	P01124
181580†	Complete Strut Assembly	B11	10.53"	—	—	10.83"	18"	7.17"	—	P01149
181583L	Complete Strut Assembly	SS2	10.92"	—	—	11.42"	15.85"	4.43"	—	P01125
181583R	Complete Strut Assembly	SS2	10.92"	—	—	11.42"	15.85"	4.43"	—	P01125
181584	Complete Strut Assembly	B11	13.88"	—	—	14"	22.5"	8.58"	—	P01113
181585	Complete Strut Assembly	B11	13.88"	—	—	14"	22.5"	8.5"	—	P01113
181592†	Complete Strut Assembly	B11	10.33"	—	—	10.83"	18"	7.17"	—	P01149
181593†	Complete Strut Assembly	B11	17.22"	—	—	17.72"	24.94"	7.22"	—	P01123
181594†	Complete Strut Assembly	B11	17.22"	—	—	17.72"	24.94"	7.22"	—	P01123
181597	Complete Strut Assembly	B9	14.21"	—	—	14.48"	21.06"	6.58"	—	P01101
181598	Complete Strut Assembly	B9	14.21"	—	—	14.48"	21.06"	6.58"	—	P01101
181615	Complete Strut Assembly	B4	14.75"	—	—	14.88"	19"	4.13"	—	P01149
181616	Complete Strut Assembly	B4	15.88"	—	—	16"	21.88"	5.88"	—	P01149
181661	Complete Strut Assembly	B5	9.75"	—	—	10.25"	16.63"	6.38"	—	P01141
181662L	Complete Strut Assembly	B2	15"	—	—	15.5"	23.13"	7.63"	—	P01141
181662R	Complete Strut Assembly	B2	15"	—	—	15.5"	23.13"	7.63"	—	P01141
181665	Complete Strut Assembly	B5	9.88"	—	—	10.38"	17.5"	7.13"	—	P01293
181667	Complete Strut Assembly	B13	10.63"	—	—	11.13"	17.38"	6.25"	—	P01373,P01505
181668	Complete Strut Assembly	B13	10.63"	—	—	11.13"	17.38"	6.25"	—	P01373,P01505
181669†	Complete Strut Assembly	B4	17.4"	—	—	17.9"	26.69"	8.79"	—	P01113,P01699
181670	Complete Strut Assembly	B9	10.02"	—	—	10.46"	15.52"	5.06"	—	None
181671L	Complete Strut Assembly	B9	15.08"	—	—	15.6"	21.9"	6.28"	—	P01141
181671R	Complete Strut Assembly	B9	15.08"	—	—	15.6"	21.9"	6.28"	—	P01141
181672†	Complete Strut Assembly	B5	10.56"	—	—	11.06"	18.08"	7.02"	—	P01124
181674†	Complete Strut Assembly	B11	13.13"	—	—	13.38"	18.88"	5.5"	—	None
181675†	Complete Strut Assembly	B11	13.13"	—	—	13.38"	18.88"	5.5"	—	None
181678	Complete Strut Assembly	B10	13.75"	—	—	13.88"	20.13"	6.25"	—	P01101
181679	Complete Strut Assembly	B10	13.75"	—	—	13.88"	20.13"	6.25"	—	P01101

† Bumper Stop Unit. Dimension Shown at Bumper Contact

‡ Hydraulic Lockout Unit. Dimension Shown is Metal-to-Metal, Subtract Approximately 5/8" (.62) from the Extended Length for Start-of-Engagement.

MOUNTING & LENGTH SPECIFICATIONS

Part No.	Part Type	STRUT BODY		END CODE		LENGTHS			Spring (Rate)	Parts Pack(s)
		Type	Length	Upper	Lower	Comp.	Ext.	Trav.		
181680	Complete Strut Assembly	B10	16.5"	—	—	17"	24.25"	7.25"	—	P01113
181681	Complete Strut Assembly	B10	16.5"	—	—	17"	24.25"	7.25"	—	P01113
181682†	Complete Strut Assembly	B11	13.84"	—	—	14.34"	21.7"	7.36"	—	P1101
181683†	Complete Strut Assembly	B11	12.84"	—	—	14.34"	21.7"	7.36"	—	P1101
181685†	Complete Strut Assembly	B11	9.65"	—	—	10.15"	16.47"	6.32"	—	P01293
181686	Complete Strut Assembly	B2	11.63"	—	—	12.13"	20.38"	8.25"	—	P01295
181691L†	Complete Strut Assembly	B3	11"	—	—	11.5"	16.79"	5.29"	—	P01509
181691R†	Complete Strut Assembly	B3	11"	—	—	11.5"	16.79"	5.29"	—	P01509
181771	Complete Strut Assembly	B5	9.7"	—	—	10.3"	16.91"	6.61"	—	P01124
181780	Complete Strut Assembly	B4	14.63"	—	—	14.75"	21.13"	6.38"	—	P01149
181781†	Complete Strut Assembly	B4	15.64"	—	—	16.14"	24.33"	8.19"	—	P01149
181784	Complete Strut Assembly	SPEC	14.5"	—	—	15.38"	20.38"	5"	—	None
181797	Complete Strut Assembly	B5	10.84"	—	—	11.47"	18.52"	7.05"	—	P01113
181799†	Complete Strut Assembly	B7	13.03"	—	—	13.53"	21"	7.47"	—	P857
181819L	Complete Strut Assembly	B5	10.38"	—	—	10.88"	17.25"	6.38"	—	P01149
181819R	Complete Strut Assembly	B5	10.38"	—	—	10.88"	17.25"	6.38"	—	P01149
181820	Complete Strut Assembly	B5	9.8"	—	—	10.3"	16.8"	6.5"	—	P01124
181822	Complete Strut Assembly	B5	11"	—	—	11.5"	18.5"	7"	—	P01113
181831	Complete Strut Assembly	B7	10"	—	—	10.5"	18.5"	8"	—	P01394
181833†	Complete Strut Assembly	B11	11.85"	—	—	12.35"	18.74"	6.39"	—	P01149
181845L†	Complete Strut Assembly	SS4	15.92"	—	—	16.42"	20.54"	4.12"	—	P01113
181845R†	Complete Strut Assembly	SS4	15.92"	—	—	16.42"	20.54"	4.12"	—	P01113
181875†	Complete Strut Assembly	B4	10.01"	—	—	10.51"	15.43"	4.92"	—	P01101
181878†	Complete Strut Assembly	B10	11.49"	—	—	11.99"	18.42"	6.43"	—	P01123
181880	Complete Strut Assembly	B2	14.38"	—	—	14.5"	22.75"	8.25"	—	P01125
181900	Complete Strut Assembly	B11	13.33"	—	—	14.21"	20.22"	6.01"	—	P01101
181901	Complete Strut Assembly	B11	13.33"	—	—	14.25"	20.22"	5.97"	—	P01101
181920	Complete Strut Assembly	B4	14.63"	—	—	14.75"	21.13"	6.38"	—	P01149
181921	Complete Strut Assembly	B13	10.88"	—	—	11.38"	17.5"	6.13"	—	P01124
181922	Complete Strut Assembly	B13	10.88"	—	—	11.38"	17.5"	6.13"	—	P01124
181924	Complete Strut Assembly	B17	9.75"	—	—	10.25"	17"	6.75"	—	P01569
181925†	Complete Strut Assembly	B10	12.1"	—	—	12.6"	19.58"	6.98"	—	P1570
181939	Complete Strut Assembly	B3	18.88"	—	—	19"	27.5"	8.5"	—	P01149, P01699
181941	Complete Strut Assembly	B11	12.45"	—	—	12.95"	18.86"	5.91"	—	P01101
181942	Complete Strut Assembly	B11	12.45"	—	—	12.95"	18.86"	5.91"	—	P01101
181943	Complete Strut Assembly	B11	14.46"	—	—	14.96"	22.28"	7.32"	—	P01101
181944	Complete Strut Assembly	B11	14.46"	—	—	14.96"	22.28"	7.32"	—	P01101
181945	Complete Strut Assembly	B4	9.6"	—	—	10.1"	15.35"	5.25"	—	P01125
181946	Complete Strut Assembly	B4	9.6"	—	—	10.1"	15.35"	5.25"	—	P01125
181953†	Complete Strut Assembly	B11	15.03"	—	—	15.53"	22.5"	6.97"	—	P01173
181954†	Complete Strut Assembly	B9	15.03"	—	—	15.53"	22.5"	6.97"	—	P01173
181957	Complete Strut Assembly	B2	15.68"	—	—	16.31"	24.21"	7.9"	—	P01107
181958	Complete Strut Assembly	B2	15.68"	—	—	16.31"	24.21"	7.9"	—	P01107
181959	Complete Strut Assembly	B5	9.63"	—	—	10.13"	15.5"	5.38"	—	P01149
181960†	Complete Strut Assembly	B9	13.64"	—	—	14.15"	19.23"	5.08"	—	P01373
181964L†	Complete Strut Assembly	B10	12.5"	—	—	13"	19.55"	6.55"	—	P01149
181964R†	Complete Strut Assembly	B10	12.5"	—	—	13"	19.55"	6.55"	—	P01149
181979	Complete Strut Assembly	B11	12.81"	—	—	13.88"	20.12"	6.24"	—	None
181980	Complete Strut Assembly	B11	12.91"	—	—	13.88"	20.12"	6.24"	—	None
181989†	Complete Strut Assembly	B4	10.31"	—	—	10.81"	15.94"	5.13"	—	P01101
181992†	Complete Strut Assembly	B2	11.05"	—	—	12.05"	18.55"	6.5"	—	P1123
181994	Complete Strut Assembly	B2	14.38"	—	—	14.63"	22.75"	8.13"	—	P01125
182105	Complete Strut Assembly	B10	12.33"	—	—	12.83"	18.78"	5.95"	—	P01113
182106†	Complete Strut Assembly	B10	12.33"	—	—	12.83"	18.78"	5.95"	—	P01113
182113	Complete Strut Assembly	B11	9.99"	—	—	10.27"	16.68"	6.41"	—	P01141
182114†	Complete Strut Assembly	B9	12.89"	—	—	13.39"	20.42"	7.03"	—	P01113
182115†	Complete Strut Assembly	B9	12.89"	—	—	13.39"	20.42"	7.03"	—	P01113
182116	Complete Strut Assembly	B11	12.97"	—	—	13.6"	20.64"	7.04"	—	P01113
182117	Complete Strut Assembly	B11	12.97"	—	—	13.6"	20.64"	7.04"	—	P01113
182123L	Complete Strut Assembly	SS2	11.7"	—	—	12.2"	16.56"	4.36"	—	P01101, P00876
182123R	Complete Strut Assembly	SS2	11.7"	—	—	12.2"	16.56"	4.36"	—	P01101, P00876

† Bumper Stop Unit. Dimension Shown at Bumper Contact

‡ Hydraulic Lockout Unit. Dimension Shown is Metal-to-Metal, Subtract Approximately 5/8" (.62) from the Extended Length for Start-of-Engagement.

MOUNTING & LENGTH SPECIFICATIONS

Part No.	Part Type	STRUT BODY		END CODE		LENGTHS			Spring (Rate)	Parts Pack(s)
		Type	Length	Upper	Lower	Comp.	Ext.	Trav.		
182130L	Complete Strut Assembly	B11	12.88"	—	—	13.4"	20.2"	6.85"	—	P01149
182130R	Complete Strut Assembly	B11	12.88"	—	—	13.4"	20.2"	6.85"	—	P01149
182135	Complete Strut Assembly	B11	13.87"	—	—	14.37"	21.5"	7.13"	—	None
182136	Complete Strut Assembly	B11	13.87"	—	—	14.37"	21.5"	7.13"	—	None
182138	Complete Strut Assembly	B9	15.59"	—	—	16.09"	21.63"	5.54"	—	
182143†	Complete Strut Assembly	B14	14.72"	—	—	14.53"	21.1"	6.6"	—	P01101
182144†	Complete Strut Assembly	B14	14.72"	—	—	14.53"	21.1"	6.6"	—	P01101
182147†	Complete Strut Assembly	B9	12.85"	—	—	13.35"	19.11"	5.76"	—	P01101
182148†	Complete Strut Assembly	B9	12.85"	—	—	13.35"	19.11"	5.76"	—	P01101
182174	Complete Strut Assembly	B13	10.88"	—	—	11.35"	17.71"	6.36"	—	P01124
182177	Complete Strut Assembly	B11	9.99"	—	—	10.27"	16.68"	6.41"	—	P01141
182179L	Complete Strut Assembly	B10	9.71"	—	—	11.02"	17.6"	6.58"	—	P01149
182179R	Complete Strut Assembly	B10	9.71"	—	—	11.02"	17.6"	6.58"	—	P01149
182185†	Complete Strut Assembly	B14	13.65"	—	—	13.38"	19.88"	6.5"	—	P01101
182186†	Complete Strut Assembly	B14	13.65"	—	—	13.38"	19.88"	6.5"	—	P01101
182199	Complete Strut Assembly	B10	10.39"	—	—	10.89"	17.91"	7.02"	—	P01113
182200	Complete Strut Assembly	B11	12.63"	—	—	13.75"	20.5"	6.75"	—	P01113
182203	Complete Strut Assembly	B13	10.59"	—	—	11.09"	17.2"	6.11"	—	P01662
182205	Complete Strut Assembly	B12	14.07"	—	—	14.6"	22.1"	6.49"	—	P01101
182206	Complete Strut Assembly	B12	14.07"	—	—	14.6"	22.1"	6.49"	—	P01101
182207	Complete Strut Assembly	B12	15.47"	—	—	16"	24.5"	8.52"	—	P01113
182208	Complete Strut Assembly	B12	15.47"	—	—	16"	24.5"	8.52"	—	P01113
182209†	Complete Strut Assembly	B10	12.37"	—	—	12.87"	20.94"	8.07"	—	P01572,P01573
182210†	Complete Strut Assembly	B10	12.37"	—	—	12.87"	20.94"	8.07"	—	P01572,P01573
182211	Complete Strut Assembly	B17	16.08"	—	—	16.95"	23.72"	6.77"	—	P01101
182212	Complete Strut Assembly	B17	16.08"	—	—	16.95"	23.72"	6.77"	—	P01101
182215	Complete Strut Assembly	B9	14.29"	—	—	15.39"	22.91"	7.52"	—	
182216	Complete Strut Assembly	B9	14.29"	—	—	15.39"	22.91"	7.52"	—	
182217	Complete Strut Assembly	B10	11.55"	—	—	12.31"	20.59"	8.28"	—	P01124
182218	Complete Strut Assembly	B10	11.56"	—	—	12.31"	20.59"	8.28"	—	P01124
182219	Complete Strut Assembly	B12	14.92"	—	—	15.18"	21.35"	6.17"	—	P01101
182220	Complete Strut Assembly	B12	14.92"	—	—	15.18"	21.35"	6.17"	—	P01101
182221	Complete Strut Assembly	B9	15.4"	—	—	15.9"	23.27"	7.37"	—	P01113
182222	Complete Strut Assembly	B9	15.41"	—	—	15.91"	23.27"	7.36"	—	P01113
182231†	Complete Strut Assembly	B13	9.64"	—	—	10.14"	16.68"	6.54"	—	P01141
182236†	Complete Strut Assembly	B9	16.04"	—	—	16.54"	23.82"	7.28"	—	P01101
182237†	Complete Strut Assembly	B9	16.04"	—	—	16.54"	23.82"	7.28"	—	P01101
182240	Complete Strut Assembly	B11	13.12"	—	—	13.62"	20.49"	6.89"	—	P01101
182241	Complete Strut Assembly	B11	13.12"	—	—	13.62"	20.49"	6.89"	—	P01101
182248†	Complete Strut Assembly	SS4	19.33"	—	—	19.83"	24.98"	5.15"	—	P01149,P00590
182257	Complete Strut Assembly	B4	13.04"	—	—	13.54"	19.96"	6.42"	—	P01113
182258	Complete Strut Assembly	B4	13.04"	—	—	13.54"	19.96"	6.42"	—	P01113
182261	Complete Strut Assembly	B4	12.95"	—	—	13.54"	18.01"	4.47"	—	P01113
182263	Complete Strut Assembly	B4	11.75"	—	—	12.25"	18.94"	6.69"	—	P01572,P01573
182264	Complete Strut Assembly	B4	11.75"	—	—	12.25"	18.94"	6.69"	—	P01572,P01573
182267	Complete Strut Assembly	B9	14.55"	—	—	15.04"	22.21"	7.17"	—	P01101
182268	Complete Strut Assembly	B11	14.55"	—	—	15.04"	22.21"	7.17"	—	P01101
182271	Complete Strut Assembly	B11	13.71"	—	—	14.21"	21.59"	7.37"	—	P01101
182272	Complete Strut Assembly	B11	13.71"	—	—	14.21"	21.59"	7.37"	—	P01101
182275	Complete Strut Assembly	B11	14.17"	—	—	15.12"	20.98"	5.86"	—	None
182276	Complete Strut Assembly	B11	14.17"	—	—	15.12"	20.98"	5.86"	—	None
182281	Complete Strut Assembly	B4	12.41"	—	—	12.91"	16.56"	3.65"	—	P01101
182284	Complete Strut Assembly	B11	12.77"	—	—	10.6"	17.49"	6.89"	—	None
182285	Complete Strut Assembly	B10	13.22"	—	—	10.6"	17.49"	6.89"	—	None
182286	Complete Strut Assembly	B11	9.93"	—	—	10.43"	17.36"	6.93"	—	
182287	Complete Strut Assembly	B11	9.93"	—	—	10.43"	17.36"	6.93"	—	
182292	Complete Strut Assembly	SS6	14.7"	—	—	15.2"	21.19"	4.99"	—	P01141
182295†	Complete Strut Assembly	B11	13.11"	—	—	13.39"	20.12"	6.73"	—	None
182296†	Complete Strut Assembly	B11	13.11"	—	—	13.39"	20.12"	6.73"	—	None
182297	Complete Strut Assembly	B11	12.45"	—	—	12.95"	19.27"	6.32"	—	None
182298	Complete Strut Assembly	B11	12.45"	—	—	12.95"	19.27"	6.32"	—	None

† Bumper Stop Unit. Dimension Shown at Bumper Contact

‡ Hydraulic Lockout Unit. Dimension Shown is Metal-to-Metal, Subtract Approximately 5/8" (.62) from the Extended Length for Start-of-Engagement.

MOUNTING & LENGTH SPECIFICATIONS

Part No.	Part Type	STRUT BODY		END CODE		LENGTHS			Spring (Rate)	Parts Pack(s)
		Type	Length	Upper	Lower	Comp.	Ext.	Trav.		
182305	Complete Strut Assembly	B10	12.75"	—	—	13.19"	19.81"	6.63"	—	
182306	Complete Strut Assembly	B10	12.75"	—	—	13.19"	19.81"	6.63"	—	
182307	Complete Strut Assembly	B12	14.04"	—	—	14.5"	21.5"	6.93"	—	P01101
182308	Complete Strut Assembly	B12	14.04"	—	—	14.5"	21.5"	6.93"	—	P01101
182309	Complete Strut Assembly	B2	15.5"	—	—	16"	24.06"	8.06"	—	None
182310	Complete Strut Assembly	B2	15.5"	—	—	16"	24.06"	8.06"	—	None
182311	Complete Strut Assembly	B3	14.89"	—	—	15.39"	21.77"	6.38"	—	P01735
182321	Complete Strut Assembly	B9	12.94"	—	—	13.44"	16.69"	3.25"	—	
182351	Complete Strut Assembly	B9	14.38"	—	—	14.88"	18.94"	4.06"	—	
182352	Complete Strut Assembly	B11	14.38"	—	—	14.88"	18.94"	4.06"	—	
182357	Complete Strut Assembly	B11	13.44"	—	—	13.94"	20.5"	6.56"	—	None
182358	Complete Strut Assembly	B11	13.5"	—	—	14"	20.5"	6.5"	—	None
182363	Complete Strut Assembly	B10	14.5"	—	—	16"	23.31"	7.31"	—	
182364	Complete Strut Assembly	B10	14.5"	—	—	16"	23.31"	7.31"	—	
182365	Complete Strut Assembly	B10	17.16"	—	—	16.87"	23.71"	6.84"	—	P01101
182366	Complete Strut Assembly	B10	17.16"	—	—	16.87"	23.71"	6.84"	—	P01101
182367	Complete Strut Assembly	B18	13.04"	—	—	13.54"	20.08"	6.54"	—	P01101
182368	Complete Strut Assembly	B18	13.04"	—	—	13.54"	20.08"	6.54"	—	P01101
182378†	Complete Strut Assembly	B9	12.6"	—	—	13.1"	19.8"	6.7"	—	
182379†	Complete Strut Assembly	B11	12.6"	—	—	13.1"	19.8"	6.7"	—	
182392	Complete Strut Assembly	B9	13.13"	—	—	13.63"	17.31"	3.68"	—	
182393	Complete Strut Assembly	B9	13.13"	—	—	13.63"	17.31"	3.68"	—	
182401	Complete Strut Assembly	SS2	11.74"	—	—	12.44"	18.96"	6.52"	—	P01125
182471L	Complete Strut Assembly	B12	15.06"	—	—	15.56"	23.13"	7.56"	—	None
182471R	Complete Strut Assembly	B12	15.06"	—	—	15.56"	23.13"	7.56"	—	None
182497L	Complete Strut Assembly	SS3	10.52"	—	—	11.02"	15.55"	4.53"	—	
182497R	Complete Strut Assembly	SS3	10.52"	—	—	11.02"	15.55"	4.53"	—	
182509	Complete Strut Assembly	B11	11.96"	—	—	12.46"	18.81"	6.35"	—	
182510	Complete Strut Assembly	B11	11.96"	—	—	12.46"	18.81"	6.35"	—	
182518	Complete Strut Assembly	B11	10.77"	—	—	11.27"	19.12"	7.85"	—	P01141
182526†	Complete Strut Assembly	B9	13.02"	—	—	13.52"	21.03"	7.51"	—	
182527†	Complete Strut Assembly	B9	13.02"	—	—	13.52"	21.03"	7.51"	—	
182536	Complete Strut Assembly	B11	16.7"	—	—	14.92"	22.18"	7.28"	—	P01101
182537	Complete Strut Assembly	B11	16.7"	—	—	14.92"	22.18"	7.28"	—	P01101
182562L†	Complete Strut Assembly	B4	9.49"	—	—	9.99"	15.35"	5.36"	—	None
182562R†	Complete Strut Assembly	B4	9.49"	—	—	9.99"	15.35"	5.36"	—	None
182563	Complete Strut Assembly	B4	11.02"	—	—	11.52"	16.35"	4.83"	—	
182596	Complete Strut Assembly	B3	12.95"	—	—	13.54"	18.01"	4.47"	—	P01113
182597	Complete Strut Assembly	B11	12.89"	—	—	13.39"	20.57"	7.18"	—	
182598	Complete Strut Assembly	B11	12.89"	—	—	13.39"	20.57"	7.18"	—	
182888†	Complete Strut Assembly	B18	16.52"	—	—	17.02"	24.13"	7.11"	—	
182889†	Complete Strut Assembly	B9	16.52"	—	—	17.02"	24.13"	7.11"	—	
189105	Complete Strut Assembly	SS2	14.01"	—	—	14.5"	18.1"	3.55"	—	P01577
239112	Complete Strut Assembly	SS7	13.39"	—	—	14.02"	17.24"	3.22"	—	P01141, P01415
271100†	Complete Strut Assembly	SS4	12.94"	—	—	13.44"	18.08"	4.64"	—	P01141
271102†	Complete Strut Assembly	SS2	10.49"	—	—	10.99"	15.56"	4.57"	—	P01101
271105	Complete Strut Assembly	SS3	11.5"	—	—	12.52"	16.44"	3.92"	—	P01101
271106	Complete Strut Assembly	SS3	11.5"	—	—	12.52"	16.44"	3.92"	—	P01101
271109	Complete Strut Assembly	SS3	14.45"	—	—	14.59"	19.49"	4.9"	—	P01101
271110	Complete Strut Assembly	SS3	14.45"	—	—	14.59"	19.49"	4.9"	—	P01101
271124†	Complete Strut Assembly	SS2	18.82"	—	—	19.32"	20.42"	1.1"	—	P01113
271125†	Complete Strut Assembly	SS3	13.13"	—	—	13.52"	19.39"	5.87"	—	P01113
271128L	Complete Strut Assembly	B11	11.96"	—	—	12.46"	19.5"	7.04"	—	P01113
271128R†	Complete Strut Assembly	B11	11.96"	—	—	12.46"	19.91"	7.45"	—	P01113
271130	Complete Strut Assembly	B11	11.59"	—	—	12.09"	18.45"	6.36"	—	P01101
271131	Complete Strut Assembly	B11	11.59"	—	—	12.09"	18.45"	6.36"	—	P01101
271137L	Complete Strut Assembly	SPEC	—	—	—	17.68"	22.25"	4.57"	—	P01580
271137R	Complete Strut Assembly	SPEC	—	—	—	17.68"	22.25"	4.57"	—	P01580
271139†	Complete Strut Assembly	SS3	14.93"	—	—	15.53"	19.72"	4.19"	—	P01141
271146	Complete Strut Assembly	SS3	12.56"	—	—	13.19"	19.1"	5.91"	—	P01125
271276	Complete Strut Assembly	SS2	14.62"	—	—	15"	21"	6"	—	P01629

† Bumper Stop Unit. Dimension Shown at Bumper Contact

‡ Hydraulic Lockout Unit. Dimension Shown is Metal-to-Metal, Subtract Approximately 5/8" (.62) from the Extended Length for Start-of-Engagement.

MOUNTING & LENGTH SPECIFICATIONS

Part No.	Part Type	STRUT BODY		END CODE		LENGTHS			Spring (Rate)	Parts Pack(s)
		Type	Length	Upper	Lower	Comp.	Ext.	Trav.		
271282	Complete Strut Assembly	B10	13.04"	—	—	13.54"	20.77"	7.23"	—	P01600
271311	Complete Strut Assembly	SS4	12.63"	—	—	13.38"	20.38"	7"	—	P01600
271313	Complete Strut Assembly	SS3	14"	—	—	14.5"	21.5"	7"	—	P01125
271341†	Complete Strut Assembly	SPEC	10.57"	—	—	11.07"	16.08"	5.01"	—	P00857
271345	Complete Strut Assembly	SS3	12.64"	—	—	13.13"	16.98"	3.85"	—	P01127
271346†	Complete Strut Assembly	SS3	11.75"	—	—	12.25"	15.52"	3.27"	—	P01149
271353	Complete Strut Assembly	SS2	10.54"	—	—	11.04"	15.81"	4.77"	—	P01101
271354	Complete Strut Assembly	SS3	9.14"	—	—	10.53"	15.85"	5.32"	—	P01125
271358	Complete Strut Assembly	SS2	10.39"	—	—	10.79"	14.62"	3.83"	—	P1101
271371L	Complete Strut Assembly	SS3	16.14"	—	—	16.62"	21.87"	5.25"	—	P01101
271371R	Complete Strut Assembly	SS3	16.14"	—	—	16.62"	21.87"	5.25"	—	P01101
271377L	Complete Strut Assembly	B4	13.57"	—	—	14.07"	20.32"	6.25"	—	P01580
271377R	Complete Strut Assembly	B4	13.57"	—	—	14.07"	20.32"	6.25"	—	P01580
271379	Complete Strut Assembly	SS3	11.22"	—	—	11.9"	17.29"	5.38"	—	P01125
271426†	Complete Strut Assembly	B11	12.81"	—	—	13.62"	20.49"	6.87"	—	P01101
271427†	Complete Strut Assembly	B11	12.81"	—	—	13.62"	20.49"	6.87"	—	P01101
271435	Complete Strut Assembly	B11	15.92"	—	—	16.42"	23.01"	6.59"	—	P01101
271436	Complete Strut Assembly	B11	15.92"	—	—	16.42"	23.01"	6.59"	—	P01101
271441†	Complete Strut Assembly	B10	15.25"	—	—	15.73"	22.6"	6.87"	—	P01101
271442†	Complete Strut Assembly	B10	15.25"	—	—	15.73"	22.6"	6.87"	—	P01101
271453	Complete Strut Assembly	B9	11.88"	—	—	15.5"	22.75"	7.25"	—	P01101
271454	Complete Strut Assembly	B9	11.88"	—	—	15.5"	22.75"	7.25"	—	P01101
271494†	Complete Strut Assembly	B2	15.43"	—	—	15.9"	21.14"	5.24"	—	P01101
271495†	Complete Strut Assembly	B2	15.43"	—	—	15.9"	21.14"	5.24"	—	P01101
271498†	Complete Strut Assembly	B2	14.6"	—	—	15.26"	23.3"	8.04"	—	P01113
271499†	Complete Strut Assembly	B2	14.6"	—	—	15.26"	23.3"	8.04"	—	P01113
271525	Complete Strut Assembly	B4	13.11"	—	—	13.93"	20.63"	6.7"	—	P01605
271555†	Complete Strut Assembly	B11	13.68"	—	—	14.74"	20.65"	5.91"	—	P01756
271556†	Complete Strut Assembly	B11	13.68"	—	—	14.74"	20.65"	5.91"	—	P01756
271573†	Complete Strut Assembly	B10	14.81"	—	—	15.73"	22.6"	6.87"	—	P01101
271574†	Complete Strut Assembly	B10	14.81"	—	—	15.73"	22.6"	6.87"	—	P01101
271575	Complete Strut Assembly	B10	12.87"	—	—	13.38"	20.5"	7.12"	—	BE17110543
271577L	Complete Strut Assembly	B4	9.38"	—	—	9.63"	13.88"	4.25"	—	P01580
271577R	Complete Strut Assembly	B4	9.38"	—	—	9.63"	13.88"	4.25"	—	P01580
271581†	Complete Strut Assembly	B3	14.63"	—	—	15"	19.5"	4.5"	—	P01113
271582†	Complete Strut Assembly	B3	14.63"	—	—	15"	19.5"	4.5"	—	P01113
271588	Complete Strut Assembly	B11	14.88"	—	—	15"	23.38"	8.38"	—	P01101
271589	Complete Strut Assembly	B9	14.5"	—	—	15"	23.38"	8.38"	—	P01101
271616	Complete Strut Assembly	B4	15.96"	—	—	16.2"	22.03"	5.83"	—	P01149
271662L	Complete Strut Assembly	B2	15.42"	—	—	15.53"	23.09"	7.56"	—	P01141
271662R	Complete Strut Assembly	B2	15.42"	—	—	15.53"	23.09"	7.56"	—	P01141
271663L	Complete Strut Assembly	B2	15.42"	—	—	15.52"	23.09"	7.57"	—	P01113
271663R	Complete Strut Assembly	B2	15.42"	—	—	15.52"	23.09"	7.57"	—	P01113
271670	Complete Strut Assembly	B5	10"	—	—	10.5"	15.38"	4.88"	—	P01141
271678	Complete Strut Assembly	B10	12.91"	—	—	13.88"	20.12"	6.24"	—	P01101
271679	Complete Strut Assembly	B10	12.91"	—	—	13.88"	20.12"	6.24"	—	P01101
271680	Complete Strut Assembly	B10	15.68"	—	—	16.31"	24.21"	7.9"	—	P01113
271681	Complete Strut Assembly	B10	15.68"	—	—	16.31"	24.21"	7.9"	—	P01113
271951	Complete Strut Assembly	B11	12.86"	—	—	13.36"	18.81"	5.45"	—	P01149
271952†	Complete Strut Assembly	B11	12.86"	—	—	13.36"	18.81"	5.45"	—	P01149
272111	Complete Strut Assembly	B9	12.38"	—	—	12.88"	19.25"	6.38"	—	P01113
272112	Complete Strut Assembly	B10	12.83"	—	—	13.33"	19.31"	5.98"	—	P01113
272126	Complete Strut Assembly	B10	15.38"	—	—	15.75"	22.88"	7.13"	—	P01101
272127	Complete Strut Assembly	B10	15.38"	—	—	15.75"	22.88"	7.13"	—	P01101
272139	Complete Strut Assembly	B9	13.57"	—	—	13.35"	19.38"	6.03"	—	P01101
272140	Complete Strut Assembly	B9	13.57"	—	—	13.35"	19.38"	6.03"	—	P01101
272142	Complete Strut Assembly	B9	13.52"	—	—	13.19"	20.94"	7.75"	—	P01101
272147†	Complete Strut Assembly	B9	13.56"	—	—	13.35"	19.11"	5.76"	—	P01101
272148†	Complete Strut Assembly	B9	13.57"	—	—	13.35"	19.11"	5.76"	—	P01101
272162	Complete Strut Assembly	B12	14.26"	—	—	14.76"	23.82"	9.06"	—	P01113
272163	Complete Strut Assembly	B12	14.26"	—	—	14.76"	23.82"	9.06"	—	P01113

† Bumper Stop Unit. Dimension Shown at Bumper Contact

‡ Hydraulic Lockout Unit. Dimension Shown is Metal-to-Metal, Subtract Approximately 5/8" (.62) from the Extended Length for Start-of-Engagement.

MOUNTING & LENGTH SPECIFICATIONS

Part No.	Part Type	STRUT BODY		END CODE		LENGTHS			Spring (Rate)	Parts Pack(s)
		Type	Length	Upper	Lower	Comp.	Ext.	Trav.		
272183†	Complete Strut Assembly	B11	13.2"	—	—	13.7"	19.51"	5.81"	—	P01759
272184†	Complete Strut Assembly	B11	13.2"	—	—	13.7"	19.51"	5.81"	—	P01759
272211	Complete Strut Assembly	B17	16.08"	—	—	16.95"	23.72"	6.77"	—	P01101
272212	Complete Strut Assembly	B17	16.08"	—	—	16.95"	23.72"	6.77"	—	P01101
272213	Complete Strut Assembly	B18	17.32"	—	—	17.32"	24.31"	6.99"	—	P01101
272214	Complete Strut Assembly	B18	16.82"	—	—	17.32"	24.31"	6.99"	—	P01101
272215	Complete Strut Assembly	B9	14.31"	—	—	15.41"	22.93"	7.51"	—	P01101
272216	Complete Strut Assembly	B9	14.31"	—	—	15.41"	22.93"	7.51"	—	P01101
272217†	Complete Strut Assembly	B10	11.55"	—	—	12.31"	20.59"	8.28"	—	P01124
272218†	Complete Strut Assembly	B10	11.55"	—	—	20.59"	12.31"	8.28"	—	P01124
272254L†	Complete Strut Assembly	B3	14.61"	—	—	12.81"	17.33"	4.52"	—	P01149
272254R†	Complete Strut Assembly	B3	14.61"	—	—	12.81"	17.33"	4.52"	—	P01149
272257	Complete Strut Assembly	B4	13.19"	—	—	13.69"	19.96"	6.42"	—	P01113
272258	Complete Strut Assembly	B4	13.19"	—	—	13.69"	19.96"	6.42"	—	P01113
272261	Complete Strut Assembly	SS2	13.14"	—	—	13.64"	18.01"	4.37"	—	P01113
272263†	Complete Strut Assembly	B4	11.75"	—	—	12.25"	18.94"	6.69"	—	P01572, P01573
272264†	Complete Strut Assembly	B4	11.75"	—	—	12.25"	18.94"	6.69"	—	P01572, P01573
272275	Complete Strut Assembly	B11	14.17"	—	—	15.12"	20.98"	5.86"	—	P01101
272276	Complete Strut Assembly	B11	14.17"	—	—	15.12"	20.98"	5.86"	—	P01101
272284	Complete Strut Assembly	B11	13.22"	—	—	10.48"	17.49"	7.01"	—	P01101
272285	Complete Strut Assembly	B11	13.22"	—	—	10.48"	17.49"	7.01"	—	P01101
272288†	Complete Strut Assembly	B9	14.28"	—	—	15.45"	21.54"	6.09"	—	P01754
272289†	Complete Strut Assembly	B9	14.28"	—	—	15.45"	21.54"	6.09"	—	P01754
272299	Complete Strut Assembly	B9	16.19"	—	—	16.69"	21.44"	4.75"	—	P01101
272300	Complete Strut Assembly	B9	16.19"	—	—	16.69"	21.44"	4.75"	—	P01101
272305	Complete Strut Assembly	B10	12.75"	—	—	13.19"	19.81"	6.63"	—	P01101
272306	Complete Strut Assembly	B10	12.69"	—	—	13.19"	19.81"	6.63"	—	P01101
272307	Complete Strut Assembly	B10	13.81"	—	—	14.49"	21.38"	6.89"	—	P01101
272308	Complete Strut Assembly	B17	13.81"	—	—	14.49"	21.38"	6.89"	—	P01101
272309†	Complete Strut Assembly	B9	15.23"	—	—	15.83"	24.09"	8.26"	—	P01113
272322	Complete Strut Assembly	B4	14.19"	—	—	12.31"	16.68"	4.37"	—	P01101, P01107
272345	Complete Strut Assembly	B9	14.89"	—	—	15.39"	20.24"	4.85"	—	P01113
272346	Complete Strut Assembly	B9	14.89"	—	—	15.39"	20.24"	4.85"	—	P01113
272347	Complete Strut Assembly	B9	14.13"	—	—	14.63"	21.56"	6.94"	—	P01101
272348	Complete Strut Assembly	B9	14.13"	—	—	14.63"	21.56"	6.94"	—	P01101
272355	Complete Strut Assembly	B9	14.04"	—	—	14.31"	21.56"	7.25"	—	P01101
272356	Complete Strut Assembly	B9	14.04"	—	—	14.31"	21.56"	7.25"	—	P01101
272367	Complete Strut Assembly	B18	13.04"	—	—	13.54"	20.08"	6.54"	—	P01101
272368	Complete Strut Assembly	B18	13.04"	—	—	13.54"	20.08"	6.54"	—	P01101
272369	Complete Strut Assembly	B9	15.88"	—	—	16.38"	21.63"	5.25"	—	P01101
272370	Complete Strut Assembly	B9	15.88"	—	—	16.38"	21.63"	5.25"	—	P01101
272382	Complete Strut Assembly	B9	16.02"	—	—	17.91"	25.37"	7.46"	—	P01113
272383	Complete Strut Assembly	B9	16.02"	—	—	17.91"	25.37"	7.46"	—	P01113
272384†	Complete Strut Assembly	B11	16.4"	—	—	16.05"	21.93"	5.88"	—	P01113
272385†	Complete Strut Assembly	B10	16.38"	—	—	16.05"	21.93"	5.88"	—	P01113
272394L†	Complete Strut Assembly	SS2	11.81"	—	—	12.56"	18.82"	6.26"	—	P01709, P0115
272394R†	Complete Strut Assembly	SS2	11.81"	—	—	12.56"	18.82"	6.26"	—	P01709, P0115
272401	Complete Strut Assembly	SS2	11.74"	—	—	12.44"	18.96"	6.52"	—	P01125
272408†	Complete Strut Assembly	SS4	19.33"	—	—	19.83"	24.98"	5.15"	—	P01149
272412	Complete Strut Assembly	B9	15.31"	—	—	16.34"	23.82"	7.48"	—	P01113
272413	Complete Strut Assembly	B9	15.31"	—	—	16.34"	23.82"	7.48"	—	P01113
272423	Complete Strut Assembly	B11	15.05"	—	—	15.55"	22.73"	7.18"	—	P01101
272424	Complete Strut Assembly	B11	15.05"	—	—	15.55"	22.73"	7.18"	—	P01101
272437	Complete Strut Assembly	B11	15.25"	—	—	15.75"	20.94"	5.19"	—	P01101
272438	Complete Strut Assembly	B11	15.25"	—	—	15.75"	20.94"	5.19"	—	P01101
272441	Complete Strut Assembly	B9	14.25"	—	—	15.5"	21.56"	6.06"	—	P01754
272442	Complete Strut Assembly	B9	14.25"	—	—	15.5"	21.56"	6.06"	—	P01754
272471L†	Complete Strut Assembly	B12	16.52"	—	—	16.05"	23.09"	7.04"	—	P01141
272471R†	Complete Strut Assembly	B12	16.52"	—	—	16.05"	23.09"	7.04"	—	P01141
272483	Complete Strut Assembly	B10	16.61"	—	—	17.15"	23.76"	6.61"	—	P01101
272484	Complete Strut Assembly	B10	16.61"	—	—	17.15"	23.76"	6.61"	—	P01101

† Bumper Stop Unit. Dimension Shown at Bumper Contact

‡ Hydraulic Lockout Unit. Dimension Shown is Metal-to-Metal, Subtract Approximately 5/8" (.62) from the Extended Length for Start-of-Engagement.

MOUNTING & LENGTH SPECIFICATIONS

Part No.	Part Type	STRUT BODY		END CODE		LENGTHS			Spring (Rate)	Parts Pack(s)
		Type	Length	Upper	Lower	Comp.	Ext.	Trav.		
272489†	Complete Strut Assembly	B11	17.19"	—	—	17.42"	24.55"	7.13"	—	P01101
272490†	Complete Strut Assembly	B11	17.19"	—	—	17.42"	24.55"	7.13"	—	P01101
272491	Complete Strut Assembly	B11	15.46"	—	—	12.23"	20.53"	8.3"	—	P01690
272492	Complete Strut Assembly	B11	15.46"	—	—	12.23"	20.53"	8.3"	—	P01690
272501	Complete Strut Assembly	SS3	9.92"	—	—	10.94"	16.27"	6.35"	—	P01125
272515†	Complete Strut Assembly	B11	14.78"	—	—	14.12"	19.86"	5.74"	—	P01759
272516†	Complete Strut Assembly	B11	14.78"	—	—	14.12"	19.86"	5.74"	—	P01759
272522†	Complete Strut Assembly	B3	13.28"	—	—	11.19"	17.89"	6.71"	—	P01572, P01573
272523†	Complete Strut Assembly	B3	13.28"	—	—	11.19"	17.89"	6.71"	—	P01572, P01573
272526	Complete Strut Assembly	B13	13.17"	—	—	13.67"	21.03"	7.63"	—	P01572,P01573
272527	Complete Strut Assembly	B13	13.17"	—	—	13.67"	21.03"	7.63"	—	P01572,P01573
272528†	Complete Strut Assembly	B18	13.22"	—	—	13.72"	19.51"	5.79"	—	P01759
272529†	Complete Strut Assembly	B18	13.22"	—	—	13.72"	19.51"	5.79"	—	P01759
272530†	Complete Strut Assembly	B4	13.6"	—	—	11.13"	18.13"	7"	—	P01127
272531†	Complete Strut Assembly	B4	13.6"	—	—	11.13"	18.13"	7"	—	P01127
272532†	Complete Strut Assembly	B4	14.48"	—	—	12.1"	19.22"	7.12"	—	P01127
272533†	Complete Strut Assembly	B4	14.48"	—	—	12.1"	19.22"	7.12"	—	P01127
272534†	Complete Strut Assembly	B4	11.78"	—	—	12.1"	19.22"	7.12"	—	P01127
272535†	Complete Strut Assembly	B4	11.78"	—	—	12.1"	19.22"	7.12"	—	P01127
272562L†	Complete Strut Assembly	B3	14.13"	—	—	12.4"	16.77"	4.37"	—	P01101, P01113
272562R†	Complete Strut Assembly	B3	14.13"	—	—	12.4"	16.77"	4.37"	—	P01101, P01113
272565	Complete Strut Assembly	B9	14.61"	—	—	15.16"	20.04"	4.88"	—	P01113
272566	Complete Strut Assembly	B9	14.61"	—	—	15.16"	20.04"	4.88"	—	P01113
272567	Complete Strut Assembly	SS3	11.86"	—	—	12.76"	18.01"	5.26"	—	P01125
272568†	Complete Strut Assembly	B4	15.29"	—	—	13.54"	19.07"	5.53"	—	P01113
272569	Complete Strut Assembly	B4	13.15"	—	—	13.65"	19.07"	5.42"	—	P01113
272596	Complete Strut Assembly	SS2	13.14"	—	—	13.64"	18.01"	4.37"	—	P01113
272597	Complete Strut Assembly	B11	12.89"	—	—	13.39"	20.57"	7.18"	—	P01101
272598	Complete Strut Assembly	B11	12.89"	—	—	13.39"	20.57"	7.18"	—	P01101
272599L†	Complete Strut Assembly	SS2	11.94"	—	—	12.46"	16.62"	4.16"	—	P01125, P01709
272599R†	Complete Strut Assembly	SS2	11.94"	—	—	12.46"	16.62"	4.16"	—	P01125, P01709
272604†	Complete Strut Assembly	B10	14.36"	—	—	13.64"	17.27"	3.63"	—	P01774
272605†	Complete Strut Assembly	B10	14.36"	—	—	13.64"	17.27"	3.63"	—	P01774
272608†	Complete Strut Assembly	B9	16.2"	—	—	15.57"	21.26"	5.69"	—	P01573, P01735
272609†	Complete Strut Assembly	B9	16.2"	—	—	15.57"	21.26"	5.69"	—	P01573, P01735
272620	Complete Strut Assembly	B9	11.3"	—	—	11.8"	22.77"	10.97"	—	P00876, P00876
272621	Complete Strut Assembly	B9	11.3"	—	—	11.8"	22.77"	10.97"	—	P00876, P00876
272626†	Complete Strut Assembly	B11	14.86"	—	—	15.21"	18.95"	3.74"	—	P01773
272627†	Complete Strut Assembly	B11	14.86"	—	—	15.21"	18.95"	3.74"	—	P01773
272638†	Complete Strut Assembly	B11	13.52"	—	—	14.02"	20.72"	6.7"	—	P01149, P01113
272641	Complete Strut Assembly	B4	13.76"	—	—	11.28"	17.4"	6.12"	—	P01751
272642	Complete Strut Assembly	B4	13.76"	—	—	11.28"	17.4"	6.12"	—	P01751
272651L†	Complete Strut Assembly	SS7	16.21"	—	—	16.47"	20.89"	4.42"	—	P01141, P01772
272651R†	Complete Strut Assembly	SS7	16.21"	—	—	16.47"	20.89"	4.42"	—	P01141, P01772
272653†	Complete Strut Assembly	B11	13.8"	—	—	0.56"	21.18"	6.88"	—	Two P00857
272654†	Complete Strut Assembly	B11	13.8"	—	—	14.3"	21.18"	6.88"	—	Two P00857
272663†	Complete Strut Assembly	B11	14.86"	—	—	15.21"	18.95"	3.74"	—	P01773
272664†	Complete Strut Assembly	B11	14.86"	—	—	15.21"	18.95"	3.74"	—	P01773
272665†	Complete Strut Assembly	SS5	19.53"	—	—	20.36"	25.5"	5.14"	—	P01113
272678	Complete Strut Assembly	B18	15.04"	—	—	15.43"	21.3"	5.87"	—	P01113
272679	Complete Strut Assembly	B18	15.04"	—	—	15.43"	21.3"	5.87"	—	P01113
272684	Complete Strut Assembly	B18	14.31"	—	—	14.76"	20.83"	6.07"	—	P01113
272685	Complete Strut Assembly	B18	14.31"	—	—	14.76"	20.83"	6.07"	—	P01113
272686	Complete Strut Assembly	B18	16.74"	—	—	17.2"	22.6"	5.4"	—	P01113
272687	Complete Strut Assembly	B18	16.74"	—	—	17.2"	22.6"	5.4"	—	P01113
272693	Complete Strut Assembly	B3	12.2"	—	—	15.43"	19.8"	4.4"	—	P01509
272694	Complete Strut Assembly	B3	12.2"	—	—	15.43"	19.8"	4.4"	—	P01509
272696	Complete Strut Assembly	SS3	10.59"	—	—	11.14"	17.09"	5.95"	—	P01125
272712	Complete Strut Assembly	B11	16.19"	—	—	16.69"	23.74"	7.05"	—	P01101
272713	Complete Strut Assembly	B11	16.19"	—	—	16.69"	23.74"	7.05"	—	P01101
272729†	Complete Strut Assembly	B11	16.17"	—	—	11.8"	17.45"	5.65"	—	Two P00876

† Bumper Stop Unit. Dimension Shown at Bumper Contact

‡ Hydraulic Lockout Unit. Dimension Shown is Metal-to-Metal, Subtract Approximately 5/8" (.62) from the Extended Length for Start-of-Engagement.

MOUNTING & LENGTH SPECIFICATIONS

Part No.	Part Type	STRUT BODY		END CODE		LENGTHS			Spring (Rate)	Parts Pack(s)
		Type	Length	Upper	Lower	Comp.	Ext.	Trav.		
272730†	Complete Strut Assembly	B11	16.17"	—	—	11.8"	17.45"	5.65"	—	Two P00876
272748	Complete Strut Assembly	B4	14.48"	—	—	12.36"	18.58"	6.22"	—	P01572, P01573
272749	Complete Strut Assembly	B4	14.48"	—	—	12.36"	18.58"	6.22"	—	P01572, P01573
272750	Complete Strut Assembly	B4	14.48"	—	—	12.36"	18.58"	6.22"	—	P01572, P01573
272751	Complete Strut Assembly	B4	14.48"	—	—	12.36"	18.58"	6.22"	—	P01572, P01573
272787	Complete Strut Assembly	B4	13.27"	—	—	9.98"	17.43"	7.45"	—	P01572, P1573
272788	Complete Strut Assembly	B4	13.27"	—	—	9.98"	17.43"	7.45"	—	P01572, P1573
272888†	Complete Strut Assembly	B18	16.5"	—	—	17.02"	24.13"	7.11"	—	P01127
272889†	Complete Strut Assembly	B18	16.5"	—	—	17.02"	24.13"	7.11"	—	P01127
272896	Complete Strut Assembly	—	11.83"	—	—	12.33"	19.11"	6.78"	—	P01125
272897†	Complete Strut Assembly	B11	15.89"	—	—	16.43"	21.91"	5.48"	—	P01573, P01735
272898†	Complete Strut Assembly	B11	15.89"	—	—	16.43"	21.91"	5.48"	—	P01573, P01735
272899L†	Complete Strut Assembly	B3	14.67"	—	—	12.86"	16.93"	4.07"	—	P01149
272899R†	Complete Strut Assembly	B3	14.67"	—	—	12.86"	16.93"	4.07"	—	P01149
272925†	Complete Strut Assembly	B11	13.7"	—	—	11.09"	15.94"	4.85"	—	P01101
272926†	Complete Strut Assembly	B11	13.7"	—	—	11.09"	15.94"	4.85"	—	P01101
272927†	Complete Strut Assembly	B11	13.7"	—	—	11.09"	15.94"	4.85"	—	P01101
272928†	Complete Strut Assembly	B11	13.7"	—	—	11.09"	15.94"	4.85"	—	P01101
272947	Complete Strut Assembly	B10	13.39"	—	—	13.82"	17.48"	3.66"	—	P01735
272948	Complete Strut Assembly	B10	13.39"	—	—	13.82"	17.48"	3.66"	—	P01735
272950	Complete Strut Assembly	B10	16"	—	—	13.44"	17.57"	4.13"	—	P01101
272951	Complete Strut Assembly	B10	16"	—	—	13.44"	17.57"	4.13"	—	P01101
272952	Complete Strut Assembly	SS3	11.95"	—	—	13.01"	17.31"	4.3"	—	P01125
272957L	Complete Strut Assembly	SS3	12.07"	—	—	12.41"	16.83"	4.42"	—	P01125
272957R	Complete Strut Assembly	SS3	12.07"	—	—	12.41"	16.83"	4.42"	—	P01125
272970	Complete Strut Assembly	B3	13.63"	—	—	11.53"	16.31"	4.78"	—	P00866, P01101
272971	Complete Strut Assembly	B3	13.63"	—	—	11.53"	16.31"	4.78"	—	P00866, P01101
272974	Complete Strut Assembly	B9	17.06"	—	—	14.48"	21.69"	7.21"	—	P01101
272975	Complete Strut Assembly	B9	17.06"	—	—	14.48"	21.69"	7.21"	—	P01101
272984	Complete Strut Assembly	SS5	15.82"	—	—	16.33"	22.45"	6.12"	—	P01125, P00906
273029L†	Complete Strut Assembly	SS3	10.93"	—	—	11.3"	15.68"	4.38"	—	None
273029R†	Complete Strut Assembly	SS3	10.93"	—	—	11.3"	15.68"	4.38"	—	None
273031L	Complete Strut Assembly	SS7	15.78"	—	—	16.02"	20.91"	4.89"	—	P01141, P01772
273031R	Complete Strut Assembly	SS7	15.78"	—	—	16.02"	20.91"	4.89"	—	P01141, P01772
281100	Complete Strut Assembly	SS4	12.94"	—	—	13.44"	18.08"	4.64"	—	P01141
281130	Complete Strut Assembly	B11	11.59"	—	—	12.09"	19.6"	7.51"	—	
281131	Complete Strut Assembly	B11	11.59"	—	—	12.09"	19.6"	7.51"	—	
281311†	Complete Strut Assembly	SS4	13.26"	—	—	13.76"	20.43"	6.67"	—	P01600
281426	Complete Strut Assembly	B10	12.81"	—	—	13.63"	20.49"	6.88"	—	P01101
281427	Complete Strut Assembly	B10	12.81"	—	—	13.63"	20.49"	6.88"	—	P01101
281616	Complete Strut Assembly	B4	15.96"	—	—	16.2"	22.03"	5.83"	—	P01149
281662L	Complete Strut Assembly	B2	15.42"	—	—	15.53"	23.09"	7.56"	—	P01141
281662R	Complete Strut Assembly	B2	15.42"	—	—	15.53"	23.09"	7.56"	—	P01141
281670	Complete Strut Assembly	B5	10"	—	—	10.5"	15.38"	4.88"	—	P01141
281678†	Complete Strut Assembly	B10	13.38"	—	—	13.88"	20.12"	6.24"	—	P01101
281679	Complete Strut Assembly	B10	13.38"	—	—	13.88"	20.12"	7.22"	—	P01101
281680	Complete Strut Assembly	B10	15.81"	—	—	16.31"	24.21"	7.9"	—	P01113
281681†	Complete Strut Assembly	B10	15.81"	—	—	16.31"	24.21"	7.9"	—	P01113
281951	Complete Strut Assembly	B11	12.86"	—	—	13.36"	18.81"	5.45"	—	P01149
281952†	Complete Strut Assembly	B11	12.86"	—	—	13.36"	18.81"	5.45"	—	P01149
281973	Complete Strut Assembly	B10	10.88"	—	—	11.38"	17.75"	6.38"	—	P01124
282211	Complete Strut Assembly	B17	16.08"	—	—	16.95"	23.72"	6.77"	—	P01101
282212	Complete Strut Assembly	B17	16.95"	—	—	16.95"	23.72"	6.77"	—	P01101
282257	Complete Strut Assembly	—	13.19"	—	—	13.69"	19.96"	6.42"	—	P01113
282258	Complete Strut Assembly	—	13.19"	—	—	13.69"	19.96"	6.42"	—	P01113
282261	Complete Strut Assembly	B4	12.95"	—	—	13.54"	18.01"	4.47"	—	P01113
282275	Complete Strut Assembly	B11	14.17"	—	—	15.12"	20.98"	5.86"	—	P01101
282276	Complete Strut Assembly	B11	14.17"	—	—	15.12"	20.98"	5.86"	—	P01101
282299	Complete Strut Assembly	B9	16.19"	—	—	16.69"	21.44"	4.75"	—	P01101
282300	Complete Strut Assembly	B9	16.19"	—	—	16.69"	21.44"	4.75"	—	P01101
282307	Complete Strut Assembly	B10	13.81"	—	—	14.49"	21.38"	6.89"	—	P01101

† Bumper Stop Unit. Dimension Shown at Bumper Contact

‡ Hydraulic Lockout Unit. Dimension Shown is Metal-to-Metal, Subtract Approximately 5/8" (.62) from the Extended Length for Start-of-Engagement.

MOUNTING & LENGTH SPECIFICATIONS

Part No.	Part Type	STRUT BODY		END CODE		LENGTHS			Spring (Rate)	Parts Pack(s)
		Type	Length	Upper	Lower	Comp.	Ext.	Trav.		
282308	Complete Strut Assembly	B17	13.81"	—	—	14.49"	21.38"	6.89"	—	P01101
282491	Complete Strut Assembly	B11	11.67"	—	—	12.16"	20.55"	8.39"	—	
282492	Complete Strut Assembly	B11	11.67"	—	—	12.16"	20.55"	8.39"	—	
282599L	Complete Strut Assembly	SS3	11.94"	—	—	12.46"	16.62"	4.16"	—	P01125, P01709
282599R	Complete Strut Assembly	SS3	11.94"	—	—	12.46"	16.62"	4.16"	—	P01125, P01709
371102†	Complete Strut Assembly	SS2	10.49"	—	—	10.99"	15.56"	4.57"	—	P01101
371124†	Complete Strut Assembly	SS3	17.26"	—	—	19.32"	20.42"	1.1"	—	P01113
371128L	Complete Strut Assembly	B11	11.96"	—	—	12.46"	19.5"	7.04"	—	P01113
371128R	Complete Strut Assembly	B11	11.96"	—	—	12.46"	19.5"	7.04"	—	P01113
371130	Complete Strut Assembly	B11	11.59"	—	—	12.09"	19.6"	7.51"	—	P01101
371131	Complete Strut Assembly	B11	11.59"	—	—	12.09"	19.6"	7.51"	—	P01101
371139†	Complete Strut Assembly	SS1	14.93"	—	—	15.53"	19.72"	4.19"	—	P01141
371311	Complete Strut Assembly	SS4	12.63"	—	—	13.38"	20.38"	7"	—	P01600
371358	Complete Strut Assembly	SS2	10.39"	—	—	10.79"	14.62"	3.83"	—	P01101
371377L†	Complete Strut Assembly	B4	13.74"	—	—	14.07"	20.25"	6.18"	—	P01580
371377R†	Complete Strut Assembly	B4	13.74"	—	—	14.07"	20.25"	6.18"	—	P01580
371453	Complete Strut Assembly	B9	15.91"	—	—	15.47"	22.8"	7.32"	—	P01101
371454	Complete Strut Assembly	B9	15.91"	—	—	15.47"	22.8"	7.32"	—	P01101
371494†	Complete Strut Assembly	B2	16.23"	—	—	15.9"	21.14"	5.24"	—	P01101
371495†	Complete Strut Assembly	B2	16.23"	—	—	15.9"	21.14"	5.24"	—	P01101
371581†	Complete Strut Assembly	B3	14.63"	—	—	15"	19.5"	4.5"	—	P01113
371582†	Complete Strut Assembly	B3	14.63"	—	—	15"	19.5"	4.5"	—	P01113
371662L†	Complete Strut Assembly	B12	16.52"	—	—	16.06"	23.09"	7.03"	—	P01141
371662R†	Complete Strut Assembly	B12	16.52"	—	—	16.06"	23.09"	7.03"	—	P01141
372126†	Complete Strut Assembly	B10	15.38"	—	—	15.75"	22.88"	7.13"	—	P01101
372127†	Complete Strut Assembly	B10	15.38"	—	—	15.75"	22.88"	7.13"	—	P01101
372215	Complete Strut Assembly	B9	14.31"	—	—	15.41"	22.93"	7.52"	—	P01101
372216	Complete Strut Assembly	B9	14.31"	—	—	15.41"	22.93"	7.52"	—	P01101
372217†	Complete Strut Assembly	B13	12.07"	—	—	12.57"	20.71"	8.14"	—	P01124
372218†	Complete Strut Assembly	B13	12.07"	—	—	12.57"	20.71"	8.14"	—	P01124
372288†	Complete Strut Assembly	B9	14.28"	—	—	15.45"	21.54"	6.08"	—	P01754
372289†	Complete Strut Assembly	B9	14.28"	—	—	15.45"	21.54"	6.08"	—	P01754
372297	Complete Strut Assembly	B10	12.2"	—	—	12.95"	19.27"	6.32"	—	P01113
372298	Complete Strut Assembly	B10	12.2"	—	—	12.95"	19.27"	6.32"	—	P01113
372367	Complete Strut Assembly	B18	13.04"	—	—	13.54"	20.08"	6.54"	—	P01101
372368	Complete Strut Assembly	B18	13.04"	—	—	13.54"	20.08"	6.54"	—	P01101
372408	Complete Strut Assembly	SS4	19.33"	—	—	19.83"	24.98"	5.15"	—	P01149, P00590
372412	Complete Strut Assembly	B9	15.31"	—	—	16.34"	23.82"	7.48"	—	P01113
372413	Complete Strut Assembly	B9	15.31"	—	—	16.34"	23.82"	7.48"	—	P01113
372471L†	Complete Strut Assembly	B12	16.52"	—	—	16.05"	23.09"	7.04"	—	P01141
372471R†	Complete Strut Assembly	B12	16.52"	—	—	16.05"	23.09"	7.04"	—	P01141
372483	Complete Strut Assembly	B10	16.54"	—	—	17.15"	23.76"	6.61"	—	P01101
372484	Complete Strut Assembly	B10	16.54"	—	—	17.15"	23.76"	6.61"	—	P01101
372489†	Complete Strut Assembly	B11	17.19"	—	—	17.42"	24.55"	7.13"	—	P01101
372490†	Complete Strut Assembly	B11	17.19"	—	—	17.42"	24.55"	7.13"	—	P01101
372526†	Complete Strut Assembly	B10	15.77"	—	—	15.95"	23.31"	7.36"	—	P01572, P01573
372527†	Complete Strut Assembly	B10	15.77"	—	—	15.95"	23.31"	7.36"	—	P01572, P01573
372565	Complete Strut Assembly	B9	12.97"	—	—	13.47"	19.88"	6.41"	—	P01113
372566	Complete Strut Assembly	B9	12.97"	—	—	13.47"	19.88"	6.41"	—	P01113
372599L	Complete Strut Assembly	SS3	11.94"	—	—	12.46"	16.62"	4.16"	—	P01125, P01709
372599R	Complete Strut Assembly	SS3	11.94"	—	—	12.46"	16.62"	4.16"	—	P01125, P01709
372626†	Complete Strut Assembly	B11	14.86"	—	—	15.21"	18.95"	3.74"	—	P01773
372627†	Complete Strut Assembly	B11	14.86"	—	—	15.21"	18.95"	3.74"	—	P01773
372653†	Complete Strut Assembly	B11	13.8"	—	—	14.3"	21.18"	6.88"	—	Two P00857
372654†	Complete Strut Assembly	B11	13.8"	—	—	14.3"	21.18"	6.88"	—	Two P00857
372663†	Complete Strut Assembly	B11	14.86"	—	—	15.21"	18.95"	3.74"	—	P01773
372664†	Complete Strut Assembly	B11	14.86"	—	—	15.21"	18.95"	3.74"	—	P01773
372665†	Complete Strut Assembly	SS5	19.53"	—	—	20.36"	25.5"	5.14"	—	P01113
372712	Complete Strut Assembly	B10	12.46"	—	—	12.96"	20.99"	8.03"	—	P01101
372713	Complete Strut Assembly	B10	12.46"	—	—	12.96"	20.99"	8.03"	—	P01101
372729†	Complete Strut Assembly	B11	16.17"	—	—	11.8"	17.45"	5.65"	—	Two P00857

† Bumper Stop Unit. Dimension Shown at Bumper Contact

‡ Hydraulic Lockout Unit. Dimension Shown is Metal-to-Metal, Subtract Approximately 5/8" (.62) from the Extended Length for Start-of-Engagement.

MOUNTING & LENGTH SPECIFICATIONS

Part No.	Part Type	STRUT BODY		END CODE		LENGTHS			Spring (Rate)	Parts Pack(s)
		Type	Length	Upper	Lower	Comp.	Ext.	Trav.		
372730†	Complete Strut Assembly	B11	16.17"	—	—	11.8"	17.45"	5.65"	—	Two P00857
372950	Complete Strut Assembly	B10	16"	—	—	13.44"	17.57"	4.13"	—	P01101
372951	Complete Strut Assembly	B10	16"	—	—	13.44"	17.57"	4.13"	—	P01101
471128L	Complete Strut Assembly	B11	11.96"	—	—	12.46"	19.5"	7.04"	—	P01113
471128R	Complete Strut Assembly	B11	11.96"	—	—	12.46"	19.5"	7.04"	—	P01113
471311	Complete Strut Assembly	SS4	12.63"	—	—	13.38"	20.38"	7"	—	P01600
471358	Complete Strut Assembly	SS2	10.39"	—	—	10.79"	14.62"	3.83"	—	P01101
471377	Complete Strut Assembly	B4	13.42"	—	—	13.92"	20.25"	6.3"	—	P01580
471453	Complete Strut Assembly	B9	11.88"	—	—	15.5"	22.75"	7.25"	—	P01101
471454	Complete Strut Assembly	B9	11.88"	—	—	15.5"	22.75"	7.25"	—	P01101
471662L†	Complete Strut Assembly	B12	16.52"	—	—	16.06"	23.09"	7.03"	—	P01141
471662R†	Complete Strut Assembly	B12	16.52"	—	—	16.06"	23.09"	7.03"	—	P01141
472217†	Complete Strut Assembly	B13	12.07"	—	—	12.57"	20.71"	8.14"	—	P01124
472218†	Complete Strut Assembly	B13	12.07"	—	—	12.57"	20.71"	8.14"	—	P01124
472367	Complete Strut Assembly	B11	13.04"	—	—	13.54"	20.08"	6.54"	—	P01101
472368	Complete Strut Assembly	B18	13.04"	—	—	13.54"	20.08"	6.54"	—	P01101
472401	Complete Strut Assembly	SS2	11.74"	—	—	12.44"	18.96"	6.52"	—	P01125
472471L†	Complete Strut Assembly	B12	16.22"	—	—	16.05"	23.09"	7.04"	—	P01141
472471R†	Complete Strut Assembly	B12	16.22"	—	—	16.05"	23.09"	7.04"	—	P01141
472526†	Complete Strut Assembly	B10	15.77"	—	—	15.95"	23.31"	7.36"	—	P01572,P01573
472527†	Complete Strut Assembly	B10	13.02"	—	—	13.52"	21.03"	7.51"	—	P01572,P01573
472534†	Complete Strut Assembly	B4	14.48"	—	—	12.1"	19.22"	7.12"	—	P01127
472535†	Complete Strut Assembly	B4	14.48"	—	—	12.1"	19.22"	7.12"	—	P01127
472597	Complete Strut Assembly	B11	12.89"	—	—	13.39"	20.57"	7.18"	—	P01101
472598	Complete Strut Assembly	B11	12.89"	—	—	13.39"	20.57"	7.18"	—	P01101
472653†	Complete Strut Assembly	B11	13.8"	—	—	14.45"	21.18"	6.73"	—	Two P00857
472654†	Complete Strut Assembly	B11	13.8"	—	—	14.45"	21.18"	6.73"	—	Two P00857
472663†	Complete Strut Assembly	B11	14.86"	—	—	15.21"	18.95"	3.74"	—	P01773
472664†	Complete Strut Assembly	B11	14.86"	—	—	15.21"	18.95"	3.74"	—	P01773
472665†	Complete Strut Assembly	SS5	19.53"	—	—	20.36"	25.5"	5.14"	—	P01113
481311	Complete Strut Assembly	SS5	12.63"	—	—	13.38"	20.38"	7"	—	None
481358	Complete Strut Assembly	SS2	10.39"	—	—	10.79"	14.62"	3.83"	—	P01101
482401	Complete Strut Assembly	SS3	11.74"	—	—	12.44"	18.96"	6.52"	—	None
482597	Complete Strut Assembly	B11	12.89"	—	—	13.39"	20.57"	7.18"	—	None
482598	Complete Strut Assembly	B11	12.89"	—	—	13.39"	20.57"	7.18"	—	None
550010†	Shock	—	—	S4	XP4	9.38"	13.75"	4.38"	—	P01136
550011†	Shock	—	—	S4	L1	12.38"	20"	7.63"	—	P01136,P00576
550012	Shock	—	—	S4	XP4	9.38"	14.25"	4.88"	—	P01134
550013†	Shock	—	—	XP7	L1	13.25"	21.25"	8"	—	P00576,P00941
550016†	Shock	—	—	S4	XP4	12.63"	20.38"	7.75"	—	P01136
550017†	Shock	—	—	XP12	L1	17.75"	20.13"	2.38"	—	None
550018†	Shock	—	—	S4	LS26	12.5"	20"	7.5"	—	P01136,P01344
550051†	Shock	—	—	S4	L1	12.38"	20"	7.63"	—	P01136,P00576
550055†	Shock	—	—	S4	LS26	12.38"	20.13"	7.75"	—	P01136,P01344
550057†	Shock	—	—	S5	CLEV	19.18"	24.8"	5.62"	—	P00590,P01637
550058†	Shock	—	—	S5	CLEV	16.97"	23.13"	6.16"	—	P01637,P00590
550060	Shock	—	—	LS47	LS47	16.39"	25.54"	9.16"	—	None
550061	Shock	—	—	LS47	LS47	16.02"	26.5"	10.48"	—	None
550062	Shock	—	—	LS27	LS27	17.76"	29.44"	11.96"	—	None
550063	Shock	—	—	LS27	LS27	16.54"	27.19"	10.65"	—	None
550064	Shock	—	—	S5	LS27	15.1"	24.39"	9.29"	—	P01167
552001	Shock	—	—	LS47	LS47	15.82"	24.74"	8.92"	—	None
553001	Shock	—	—	S5	LS53	13.88"	17"	3.13"	—	P01611
553002	Shock	—	—	S1	SPEC	14.63"	21.88"	7.25"	—	None
553003	Shock	—	—	S4	SPEC	10.83"	17.91"	7.08"	—	None
553004†	Strut	SS2	13.27"	—	—	13.77"	17.99"	4.22"	—	P01614
553005	Strut	B4	15.64"	—	—	14.75"	22.98"	8.23"	—	P00762
553006	Strut	B4	15.64"	—	—	14.75"	22.34"	7.59"	—	P00762
553007	Strut	B4	12.72"	—	—	13.22"	17.94"	4.72"	—	P00808
553010	Strut	B10	11.3"	—	—	11.8"	19.86"	8.06"	—	P00590
553011	Strut	B10	11.3"	—	—	11.8"	19.86"	8.06"	—	P00590

† Bumper Stop Unit. Dimension Shown at Bumper Contact

‡ Hydraulic Lockout Unit. Dimension Shown is Metal-to-Metal, Subtract Approximately 5/8" (.62) from the Extended Length for Start-of-Engagement.

MOUNTING & LENGTH SPECIFICATIONS

Part No.	Part Type	STRUT BODY		END CODE		LENGTHS			Spring (Rate)	Parts Pack(s)
		Type	Length	Upper	Lower	Comp.	Ext.	Trav.		
553012	Strut	B11	13.8"	—	—	14.3"	21.18"	6.88"	—	P01697
553013	Strut	B11	13.8"	—	—	14.3"	21.18"	6.88"	—	P01697
553014†	Strut	SS4	19.53"	—	—	20.22"	25.6"	5.28"	—	P01522
553015†	Strut	B17	9.64"	—	—	10.14"	16.68"	6.54"	—	P00590
553016†	Strut	B9	12.81"	—	—	13.31"	19.67"	6.36"	—	None
553017†	Strut	B9	12.81"	—	—	13.31"	19.67"	6.36"	—	None
553018	Strut	SS2	11.76"	—	—	12.26"	16.65"	4.39"	—	None
553019	Strut	B10	12.81"	—	—	13.31"	18.2"	4.89"	—	None
553020	Strut	B10	12.81"	—	—	13.31"	18.2"	4.89"	—	None
553021	Strut	SS2	11.76"	—	—	12.26"	16.65"	4.39"	—	None
553022†	Strut	B17	10.85"	—	—	11.35"	19.69"	8.34"	—	P00590
553023†	Strut	B10	15.56"	—	—	16.06"	23.21"	7.15"	—	P00590
553024	Strut	B9	11.3"	—	—	11.8"	22.33"	10.53"	—	P00590
553025	Strut	B9	11.3"	—	—	11.8"	22.33"	10.53"	—	P00590
555001†	Shock	—	—	S4	S4	7.88"	11.88"	4"	—	P01134
555002	Shock	—	—	L1	L1	8.63"	12.75"	4.13"	—	P01221
555003	Shock	—	—	L1	L1	9.63"	14.75"	5.13"	—	P01221
555004	Shock	—	—	L1	L1	11.25"	17.88"	6.63"	—	P01221
555009	Shock	—	—	XP7	LS47	14"	22.38"	8.38"	—	None
555010	Shock	—	—	S5	LS15	13.5"	22.13"	8.63"	60	P01167
555011	Shock	—	—	L2	LS39	14.63"	24.13"	9.5"	—	None
555014‡	Shock	—	—	L1	LS39	15"	23.38"	8.38"	—	None
555020	Shock	—	—	S5	LS38	13.5"	22.5"	9"	60	P01167
555025†	Shock	—	—	S4	S4	8.63"	13.5"	4.88"	—	P01134
555031†	Shock	—	—	S5	L1	10"	14.88"	4.88"	—	P01167
555032	Shock	—	—	S5	LS26	13.25"	22"	8.75"	—	P01167
555033†	Shock	—	—	S5	LS38	10.63"	16"	5.38"	—	P01167
555034	Shock	—	—	S5	LS38	13.63"	22.5"	8.88"	—	P01167
555035	Shock	—	—	LS37	LS37	9.88"	14.88"	5"	—	None
555036†	Shock	—	—	LS39	LS39	15"	24.63"	9.63"	—	None
555037	Shock	—	—	S5	XP8	10.13"	15.63"	5.5"	—	P01167
555038	Shock	—	—	LS39	LS39	12.88"	21"	8.13"	—	None
555043	Shock	—	—	S4	S4	12.43"	20.88"	8.45"	—	P01134
555944	Steering Damper	—	—	S4	L1	13.75"	23.38"	9.63"	—	P00837,P01098
555949	Steering Damper	—	—	L1	L1	17.13"	29.38"	12.25"	—	P00576,P01013
557001	Shock	—	—	LS54	LS54	17.38"	29.13"	11.75"	—	P01232
557002	Shock	—	—	LS54	LS54	16.88"	27.63"	10.75"	—	None
557003	Shock	—	—	LS53	LS37	10.63"	15.75"	5.13"	—	P01234
557004	Shock	—	—	LS47	LS47	14"	22"	8"	—	None
557007	Shock	—	—	LS54	LS54	16"	25.63"	9.63"	—	None
557011‡	Shock	—	—	LS39	LS54	15.25"	23.88"	8.63"	—	None
557012‡	Shock	—	—	LS54	LS54	13.63"	20.5"	6.88"	—	None
557023‡	Shock	—	—	LS54	LS54	15.38"	23.88"	8.5"	—	None
557031	Shock	—	—	LS54	LS54	16.38"	27"	10.63"	—	None
557032	Shock	—	—	LS54	S6	13.63"	22"	8.38"	—	P01482
557044‡	Shock	—	—	S5	LS39	14.43"	22.39"	8.96"	—	P01167
557045‡	Shock	—	—	S5	LS39	14.43"	23.39"	8.96"	—	P01167
557046	Shock	—	—	LS59	LS60	14.7"	22.79"	8.09"	—	None
571128L	Complete Strut Assembly	B11	11.96"	—	—	12.46"	19.5"	7.04"	—	P01113
571128R	Complete Strut Assembly	B11	11.96"	—	—	12.46"	19.5"	7.04"	—	P01113
571377L	Complete Strut Assembly	B4	13.57"	—	—	14.07"	20.32"	6.25"	—	P01580
571377R	Complete Strut Assembly	B4	13.57"	—	—	14.07"	20.32"	6.25"	—	P01580
572367	Complete Strut Assembly	—	12.5"	—	—	13.54"	20.08"	6.54"	—	—
572368	Complete Strut Assembly	—	12.5"	—	—	13.54"	20.08"	6.54"	—	—
572526	Complete Strut Assembly	B10	13.17"	—	—	13.67"	21.03"	7.36"	—	P01572, P01573
572527	Complete Strut Assembly	B10	13.17"	—	—	13.67"	21.03"	7.36"	—	P01572, P01573
572597	Complete Strut Assembly	B11	12.89"	—	—	13.39"	20.57"	—	—	P01101
572598	Complete Strut Assembly	B11	12.89"	—	—	13.39"	20.57"	7.18"	—	P01101
572665†	Complete Strut Assembly	SS5	19.53"	—	—	20.36"	25.5"	5.14"	—	P01113
572888	Complete Strut Assembly	B18	16.5"	—	—	17.02"	24.13"	7.11"	—	P01127
572889	Complete Strut Assembly	B18	16.5"	—	—	17.02"	24.13"	7.11"	—	P01127

† Bumper Stop Unit. Dimension Shown at Bumper Contact

‡ Hydraulic Lockout Unit. Dimension Shown is Metal-to-Metal, Subtract Approximately 5/8" (.62) from the Extended Length for Start-of-Engagement.

MOUNTING & LENGTH SPECIFICATIONS

Part No.	Part Type	STRUT BODY		END CODE		LENGTHS			Spring (Rate)	Parts Pack(s)
		Type	Length	Upper	Lower	Comp.	Ext.	Trav.		
667001	Complete Strut Assembly	SS4	12.94"	—	—	13.44"	18.08"	4.64"	—	P01141
667002	Complete Strut Assembly	SS3	10.49"	—	—	10.99"	15"	4.01"	—	P01101
667003	Complete Strut Assembly	SS6	14.93"	—	—	15.43"	21.26"	5.83"	—	P01141
667004	Complete Strut Assembly	SPEC	18.82"	—	—	19.32"	20.42"	2.83"	—	P01113
667005	Complete Strut Assembly	SS3	13.02"	—	—	13.52"	19.39"	5.87"	—	P01113
667006	Complete Strut Assembly	SS2	16.68"	—	—	17.17"	21.64"	4.47"	—	P01141
667007	Complete Strut Assembly	SS2	17.13"	—	—	17.38"	23.75"	6.38"	—	P01392
667008	Complete Strut Assembly	SS4	12.75"	—	—	13.25"	19.21"	5.96"	—	P1125 & P906
667009	Complete Strut Assembly	SS2	12.01"	—	—	12.51"	17.73"	5.22"	—	P00876
667010	Complete Strut Assembly	SS2	16.15"	—	—	16.65"	25.28"	8.63"	—	P01125,P00906
667011	Complete Strut Assembly	SS2	10.87"	—	—	11.57"	16.57"	5"	—	P01125
667012	Complete Strut Assembly	SPEC	16.04"	—	—	16.54"	19.06"	2.52"	—	P01113
667013	Complete Strut Assembly	SS2	13.02"	—	—	13.52"	19.39"	5.87"	—	P01113
667014	Complete Strut Assembly	SS2	14.66"	—	—	15.16"	22.8"	7.64"	—	P01125
667015	Complete Strut Assembly	SS2	11.73"	—	—	12.23"	17.36"	5.13"	—	P01125
667016	Complete Strut Assembly	SPEC	10.57"	—	—	11.07"	16.08"	5.01"	—	P00857
667017	Complete Strut Assembly	SS3	11.75"	—	—	12.25"	15.52"	3.27"	—	P01149
667018	Complete Strut Assembly	SS3	10.39"	—	—	10.79"	14.62"	3.83"	—	P01101
667019	Complete Strut Assembly	SS6	16.88"	—	—	17.33"	21.63"	4.3"	—	P01101
667020	Complete Strut Assembly	SS2	15.3"	—	—	15.8"	20.74"	4.94"	—	P01101
667021	Complete Strut Assembly	SS2	15.64"	—	—	16.14"	19.75"	3.61"	—	P01141
667022	Complete Strut Assembly	SS1	13.81"	—	—	14.26"	21.5"	7.24"	—	P01141
667023	Complete Strut Assembly	SS2	16.69"	—	—	17.19"	24.94"	7.75"	—	P01125
667024	Complete Strut Assembly	SS2	16.16"	—	—	16.66"	19.18"	2.52"	—	P1113
667025	Complete Strut Assembly	B11	12.45"	—	—	12.95"	19.69"	6.74"	—	
667026	Complete Strut Assembly	B11	12.45"	—	—	12.95"	19.69"	6.74"	—	
667027	Complete Strut Assembly	B11	13.81"	—	—	14.31"	22.17"	7.86"	—	
667028	Complete Strut Assembly	B11	13.81"	—	—	14.31"	22.17"	7.86"	—	
667029	Complete Strut Assembly	B4	11.49"	—	—	11.99"	16.79"	4.8"	—	
667030	Complete Strut Assembly	B9	14.45"	—	—	14.95"	21.1"	6.15"	—	
667031	Complete Strut Assembly	B9	14.45"	—	—	14.95"	21.1"	6.15"	—	
667032	Complete Strut Assembly	B9	13.12"	—	—	13.62"	20.49"	6.87"	—	P01101
667033	Complete Strut Assembly	B11	12.1"	—	—	12.6"	19.1"	6.5"	—	P01101
667034	Complete Strut Assembly	B11	11.1"	—	—	12.6"	19.1"	6.5"	—	P01101
667035	Complete Strut Assembly	B11	16"	—	—	16.38"	23"	6.63"	—	None
667036	Complete Strut Assembly	B9	13.98"	—	—	14.48"	21.69"	7.21"	—	P01101
667037	Complete Strut Assembly	B9	13.98"	—	—	14.48"	21.69"	7.21"	—	P01101
667038	Complete Strut Assembly	B11	14.45"	—	—	14.95"	21.1"	6.15"	—	
667039	Complete Strut Assembly	B12	13.99"	—	—	14.5"	21.8"	7.28"	—	P01101
667040	Complete Strut Assembly	B12	13.99"	—	—	14.5"	21.8"	7.28"	—	P01101
667041	Complete Strut Assembly	B10	15.47"	—	—	15.97"	24.49"	8.52"	—	
667042	Complete Strut Assembly	B10	15.47"	—	—	15.97"	24.49"	8.52"	—	
667043	Complete Strut Assembly	B4	13.48"	—	—	13.98"	20.28"	6.3"	—	P01113
667044	Complete Strut Assembly	B4	13.48"	—	—	13.98"	20.28"	6.3"	—	P01113
667045	Complete Strut Assembly	B4	13.43"	—	—	13.93"	20.63"	6.7"	—	P01605
667046	Complete Strut Assembly	B10	15.18"	—	—	15.68"	24.38"	8.7"	—	P01124
667047	Complete Strut Assembly	B10	15.18"	—	—	15.68"	24.38"	8.7"	—	P01124
667048	Complete Strut Assembly	B11	10.53"	—	—	10.83"	18"	7.17"	—	P01149
667049	Complete Strut Assembly	B11	10.33"	—	—	10.83"	18"	7.17"	—	P01149
667050	Complete Strut Assembly	B11	17.22"	—	—	17.72"	24.94"	7.22"	—	P01123
667051	Complete Strut Assembly	B11	17.22"	—	—	17.72"	24.94"	7.22"	—	P01123
667052	Complete Strut Assembly	B9	14.21"	—	—	14.48"	21.06"	6.58"	—	P01101
667053	Complete Strut Assembly	B9	14.21"	—	—	14.48"	21.06"	6.58"	—	P01101
667054	Complete Strut Assembly	B4	14.75"	—	—	14.88"	19"	4.13"	—	P01149
667055	Complete Strut Assembly	B4	15.88"	—	—	16"	21.88"	5.88"	—	P01149
667056	Complete Strut Assembly	B5	9.75"	—	—	10.25"	16.63"	6.38"	—	P01141
667057	Complete Strut Assembly	B5	9.88"	—	—	10.38"	17.5"	7.13"	—	P01293
667058	Complete Strut Assembly	B13	10.63"	—	—	11.13"	17.38"	6.25"	—	P01373,P01505
667059	Complete Strut Assembly	B13	10.63"	—	—	11.13"	17.38"	6.25"	—	P01373,P01505
667060	Complete Strut Assembly	B5	10.56"	—	—	11.06"	18.08"	7.02"	—	P01124
667061	Complete Strut Assembly	B10	13.75"	—	—	13.88"	20.13"	6.25"	—	P01101

† Bumper Stop Unit. Dimension Shown at Bumper Contact

‡ Hydraulic Lockout Unit. Dimension Shown is Metal-to-Metal, Subtract Approximately 5/8" (.62) from the Extended Length for Start-of-Engagement.

MOUNTING & LENGTH SPECIFICATIONS

Part No.	Part Type	STRUT BODY		END CODE		LENGTHS			Spring (Rate)	Parts Pack(s)
		Type	Length	Upper	Lower	Comp.	Ext.	Trav.		
667062	Complete Strut Assembly	B10	13.75"	—	—	13.88"	20.13"	6.25"	—	P01101
667063	Complete Strut Assembly	B10	16.5"	—	—	17"	24.25"	7.25"	—	P01113
667064	Complete Strut Assembly	B10	16.5"	—	—	17"	24.25"	7.25"	—	P01113
667065	Complete Strut Assembly	B11	13.84"	—	—	14.34"	21.7"	7.36"	—	P1101
667066	Complete Strut Assembly	B11	12.84"	—	—	14.34"	21.7"	7.36"	—	P1101
667067	Complete Strut Assembly	B11	9.65"	—	—	10.15"	16.47"	6.32"	—	P01293
667068	Complete Strut Assembly	B2	11.63"	—	—	12.13"	20.38"	8.25"	—	P01295
667069	Complete Strut Assembly	SPEC	14.5"	—	—	15.38"	20.38"	5"	—	None
667070	Complete Strut Assembly	B7	13.03"	—	—	13.53"	21"	7.47"	—	P857
667071	Complete Strut Assembly	B5	11"	—	—	11.5"	18.5"	7"	—	P01113
667072	Complete Strut Assembly	B7	10"	—	—	10.5"	18.5"	8"	—	P01394
667073	Complete Strut Assembly	B4	14.63"	—	—	14.75"	21.13"	6.38"	—	P01149
667074	Complete Strut Assembly	B17	9.75"	—	—	10.25"	17"	6.75"	—	P01569
667075	Complete Strut Assembly	B10	12.1"	—	—	12.6"	19.58"	6.98"	—	P1570
667076	Complete Strut Assembly	B11	15.03"	—	—	15.53"	22.5"	6.97"	—	P01173
667077	Complete Strut Assembly	B9	15.03"	—	—	15.53"	22.5"	6.97"	—	P01173
667078	Complete Strut Assembly	B4	10.31"	—	—	10.81"	15.94"	5.13"	—	P01101
667079	Complete Strut Assembly	B2	11.05"	—	—	12.05"	18.55"	6.5"	—	P1123
667080	Complete Strut Assembly	B10	12.33"	—	—	12.83"	18.78"	5.95"	—	P01113
667081	Complete Strut Assembly	B10	12.33"	—	—	12.83"	18.78"	5.95"	—	P01113
667082	Complete Strut Assembly	B11	9.99"	—	—	10.27"	16.68"	6.41"	—	P01141
667083	Complete Strut Assembly	B9	12.89"	—	—	13.39"	20.42"	7.03"	—	P01113
667084	Complete Strut Assembly	B9	12.89"	—	—	13.39"	20.42"	7.03"	—	P01113
667085	Complete Strut Assembly	B11	12.97"	—	—	13.6"	20.64"	7.04"	—	P01113
667086	Complete Strut Assembly	B11	12.97"	—	—	13.6"	20.64"	7.04"	—	P01113
667087	Complete Strut Assembly	B9	15.59"	—	—	16.09"	21.63"	5.54"	—	
667088	Complete Strut Assembly	B14	14.72"	—	—	14.53"	21.1"	6.6"	—	P01101
667089	Complete Strut Assembly	B14	14.72"	—	—	14.53"	21.1"	6.6"	—	P01101
667090	Complete Strut Assembly	B13	10.88"	—	—	11.35"	17.71"	6.36"	—	P01124
667091	Complete Strut Assembly	B11	9.99"	—	—	10.27"	16.68"	6.41"	—	P01141
667092	Complete Strut Assembly	B14	13.65"	—	—	13.38"	19.88"	6.5"	—	P01101
667093	Complete Strut Assembly	B14	13.65"	—	—	13.38"	19.88"	6.5"	—	P01101
667094	Complete Strut Assembly	B10	10.39"	—	—	10.89"	17.91"	7.02"	—	P01113
667095	Complete Strut Assembly	B11	12.63"	—	—	13.75"	20.5"	6.75"	—	P01113
667096	Complete Strut Assembly	B13	10.59"	—	—	11.09"	17.2"	6.11"	—	P01662
667097	Complete Strut Assembly	B12	14.07"	—	—	14.6"	22.1"	6.49"	—	P01101
667098	Complete Strut Assembly	B12	14.07"	—	—	14.6"	22.1"	6.49"	—	P01101
667099	Complete Strut Assembly	B12	15.47"	—	—	16"	24.5"	8.52"	—	P01113
667100	Complete Strut Assembly	B12	15.47"	—	—	16"	24.5"	8.52"	—	P01113
667101	Complete Strut Assembly	B10	12.37"	—	—	12.87"	20.94"	8.07"	—	P01572,P01573
667102	Complete Strut Assembly	B10	12.37"	—	—	12.87"	20.94"	8.07"	—	P01572,P01573
667103	Complete Strut Assembly	B17	16.08"	—	—	16.95"	23.72"	6.77"	—	P01101
667104	Complete Strut Assembly	B17	16.08"	—	—	16.95"	23.72"	6.77"	—	P01101
667105	Complete Strut Assembly	B12	14.92"	—	—	15.18"	21.35"	6.17"	—	P01101
667106	Complete Strut Assembly	B12	14.92"	—	—	15.18"	21.35"	6.17"	—	P01101
667107	Complete Strut Assembly	B13	9.64"	—	—	10.14"	16.68"	6.54"	—	P01141
667108	Complete Strut Assembly	B9	16.04"	—	—	16.54"	23.82"	7.28"	—	P01101
667109	Complete Strut Assembly	B9	16.04"	—	—	16.54"	23.82"	7.28"	—	P01101
667110	Complete Strut Assembly	SS4	19.33"	—	—	19.83"	24.98"	5.15"	—	P01149,P00590
667111	Complete Strut Assembly	B4	12.95"	—	—	13.54"	18.01"	4.47"	—	P01113
667112	Complete Strut Assembly	B4	11.75"	—	—	12.25"	18.94"	6.69"	—	P01572,P01573
667113	Complete Strut Assembly	B4	11.75"	—	—	12.25"	18.94"	6.69"	—	P01572,P01573
667114	Complete Strut Assembly	B11	14.17"	—	—	15.12"	20.98"	5.86"	—	None
667115	Complete Strut Assembly	B11	14.17"	—	—	15.12"	20.98"	5.86"	—	None
667116	Complete Strut Assembly	B4	12.41"	—	—	12.91"	16.56"	3.65"	—	P01101
667117	Complete Strut Assembly	B11	9.93"	—	—	10.43"	17.36"	6.93"	—	
667118	Complete Strut Assembly	B11	9.93"	—	—	10.43"	17.36"	6.93"	—	
667119	Complete Strut Assembly	SS6	14.7"	—	—	15.2"	21.19"	4.99"	—	P01141
667120	Complete Strut Assembly	B11	13.11"	—	—	13.39"	20.12"	6.73"	—	None
667121	Complete Strut Assembly	B11	13.11"	—	—	13.39"	20.12"	6.73"	—	None
667122	Complete Strut Assembly	B12	14.04"	—	—	14.5"	21.5"	6.93"	—	P01101

† Bumper Stop Unit. Dimension Shown at Bumper Contact

‡ Hydraulic Lockout Unit. Dimension Shown is Metal-to-Metal, Subtract Approximately 5/8" (.62) from the Extended Length for Start-of-Engagement.

MOUNTING & LENGTH SPECIFICATIONS

Part No.	Part Type	STRUT BODY		END CODE		LENGTHS			Spring (Rate)	Parts Pack(s)
		Type	Length	Upper	Lower	Comp.	Ext.	Trav.		
667123	Complete Strut Assembly	B12	14.04"	—	—	14.5"	21.5"	6.93"	—	P01101
667124	Complete Strut Assembly	B2	15.5"	—	—	16"	24.06"	8.06"	—	None
667125	Complete Strut Assembly	B2	15.5"	—	—	16"	24.06"	8.06"	—	None
667126	Complete Strut Assembly	B9	12.94"	—	—	13.44"	16.69"	3.25"	—	
667127	Complete Strut Assembly	B9	14.38"	—	—	14.88"	18.94"	4.06"	—	
667128	Complete Strut Assembly	B11	14.38"	—	—	14.88"	18.94"	4.06"	—	
667129	Complete Strut Assembly	B18	13.04"	—	—	13.54"	20.08"	6.54"	—	P01101
667130	Complete Strut Assembly	B18	13.04"	—	—	13.54"	20.08"	6.54"	—	P01101
667131	Complete Strut Assembly	B9	12.6"	—	—	13.1"	19.8"	6.7"	—	
667132	Complete Strut Assembly	B11	12.6"	—	—	13.1"	19.8"	6.7"	—	
667133	Complete Strut Assembly	B9	13.13"	—	—	13.63"	17.31"	3.68"	—	
667134	Complete Strut Assembly	B9	13.13"	—	—	13.63"	17.31"	3.68"	—	
667135	Complete Strut Assembly	SS2	11.74"	—	—	12.44"	18.96"	6.52"	—	P01125
667136	Complete Strut Assembly	B11	10.77"	—	—	11.27"	19.12"	7.85"	—	P01141
667137	Complete Strut Assembly	B9	13.02"	—	—	13.52"	21.03"	7.51"	—	
667138	Complete Strut Assembly	B9	13.02"	—	—	13.52"	21.03"	7.51"	—	
667139	Complete Strut Assembly	B4	11.02"	—	—	11.52"	16.35"	4.83"	—	
667140	Complete Strut Assembly	B18	16.52"	—	—	17.02"	24.13"	7.11"	—	
667141	Complete Strut Assembly	B9	16.52"	—	—	17.02"	24.13"	7.11"	—	
667142	Complete Strut Assembly	SS2	14.01"	—	—	14.5"	18.1"	3.55"	—	P01577
667143	Complete Strut Assembly	SS4	13.26"	—	—	13.76"	20.43"	6.67"	—	P01600
667144	Complete Strut Assembly	B10	12.81"	—	—	13.63"	20.49"	6.88"	—	P01101
667145	Complete Strut Assembly	B10	12.81"	—	—	13.63"	20.49"	6.88"	—	P01101
667146	Complete Strut Assembly	B5	10"	—	—	10.5"	15.38"	4.88"	—	P01141
667147	Complete Strut Assembly	B10	13.38"	—	—	13.88"	20.12"	6.24"	—	P01101
667148	Complete Strut Assembly	B10	13.38"	—	—	13.88"	20.12"	7.22"	—	P01101
667149	Complete Strut Assembly	B10	15.81"	—	—	16.31"	24.21"	7.9"	—	P01113
667150	Complete Strut Assembly	B10	15.81"	—	—	16.31"	24.21"	7.9"	—	P01113
667151	Complete Strut Assembly	B11	12.86"	—	—	13.36"	18.81"	5.45"	—	P01149
667152	Complete Strut Assembly	B11	12.86"	—	—	13.36"	18.81"	5.45"	—	P01149
667153	Complete Strut Assembly	B10	13.81"	—	—	14.49"	21.38"	6.89"	—	P01101
667154	Complete Strut Assembly	B17	13.81"	—	—	14.49"	21.38"	6.89"	—	P01101
667155	Complete Strut Assembly	B11	11.67"	—	—	12.16"	20.55"	8.39"	—	
667156	Complete Strut Assembly	B11	11.67"	—	—	12.16"	20.55"	8.39"	—	
667157L	Complete Strut Assembly	SS3	17.26"	—	—	17.76"	24.08"	6.32"	—	None
667157R	Complete Strut Assembly	SS3	17.26"	—	—	17.76"	24.08"	6.32"	—	None
667158L	Complete Strut Assembly	B10	11.96"	—	—	12.46"	19.5"	7.04"	—	P01113
667158R	Complete Strut Assembly	B10	11.96"	—	—	12.46"	19.5"	7.04"	—	P01113
667159L	Complete Strut Assembly	B4	9.6"	—	—	10.1"	15.35"	5.25"	—	P01125
667159R	Complete Strut Assembly	B4	9.6"	—	—	10.1"	15.35"	5.25"	—	P01125
667160L	Complete Strut Assembly	SS2	9.74"	—	—	10.2"	14.8"	4.52"	—	P01125
667160R	Complete Strut Assembly	SS2	9.74"	—	—	10.2"	14.8"	4.52"	—	P01125
667161L	Complete Strut Assembly	SS2	13.12"	—	—	13.62"	17.93"	4.31"	—	P01101
667161R	Complete Strut Assembly	SS2	13.12"	—	—	13.62"	17.93"	4.31"	—	P01101
667162L	Complete Strut Assembly	SS2	13"	—	—	13.5"	17.14"	3.64"	—	P01101
667162R	Complete Strut Assembly	SS2	13"	—	—	13.5"	17.14"	3.64"	—	P01101
667163L	Complete Strut Assembly	SS3	13.38"	—	—	13.63"	18.19"	4.57"	—	P01101
667163R	Complete Strut Assembly	SS3	13.38"	—	—	13.63"	18.19"	4.57"	—	P01101
667164L	Complete Strut Assembly	SS2	11.73"	—	—	12.13"	18.82"	6.69"	—	P01125,P01709
667164R	Complete Strut Assembly	SS2	11.73"	—	—	12.13"	18.82"	6.69"	—	P01125,P01709
667165L	Complete Strut Assembly	B4	13.57"	—	—	14.07"	20.32"	6.25"	—	P01580
667165R	Complete Strut Assembly	B4	13.57"	—	—	14.07"	20.32"	6.25"	—	P01580
667166L	Complete Strut Assembly	SS1	10.77"	—	—	11.27"	15.71"	4.44"	—	
667166R	Complete Strut Assembly	SS1	10.77"	—	—	11.27"	15.71"	4.44"	—	
667167L	Complete Strut Assembly	B11	10.96"	—	—	11.46"	18.56"	7.1"	—	P01149
667167R	Complete Strut Assembly	B11	10.96"	—	—	11.46"	18.56"	7.1"	—	P01149
667168L	Complete Strut Assembly	B4	9.2"	—	—	9.7"	13.8"	4.12"	—	P01580
667168R	Complete Strut Assembly	B4	9.2"	—	—	9.7"	13.8"	4.12"	—	P01580
667169L	Complete Strut Assembly	SS2	10.92"	—	—	11.42"	15.85"	4.43"	—	P01125
667169R	Complete Strut Assembly	SS2	10.92"	—	—	11.42"	15.85"	4.43"	—	P01125
667170L	Complete Strut Assembly	B2	15"	—	—	15.5"	23.13"	7.63"	—	P01141

† Bumper Stop Unit. Dimension Shown at Bumper Contact

‡ Hydraulic Lockout Unit. Dimension Shown is Metal-to-Metal, Subtract Approximately 5/8" (.62) from the Extended Length for Start-of-Engagement.

MOUNTING & LENGTH SPECIFICATIONS

Part No.	Part Type	STRUT BODY		END CODE		LENGTHS			Spring (Rate)	Parts Pack(s)
		Type	Length	Upper	Lower	Comp.	Ext.	Trav.		
667170R	Complete Strut Assembly	B2	15"	—	—	15.5"	23.13"	7.63"	—	P01141
667171L	Complete Strut Assembly	B9	15.08"	—	—	15.6"	21.9"	6.28"	—	P01141
667171R	Complete Strut Assembly	B9	15.08"	—	—	15.6"	21.9"	6.28"	—	P01141
667172L	Complete Strut Assembly	B3	11"	—	—	11.5"	16.79"	5.29"	—	P01509
667172R	Complete Strut Assembly	B3	11"	—	—	11.5"	16.79"	5.29"	—	P01509
667173L	Complete Strut Assembly	B10	12.5"	—	—	13"	19.55"	6.55"	—	P01149
667173R	Complete Strut Assembly	B10	12.5"	—	—	13"	19.55"	6.55"	—	P01149
667174L	Complete Strut Assembly	SS2	11.7"	—	—	12.2"	16.56"	4.36"	—	P01101,P00876
667174R	Complete Strut Assembly	SS2	11.7"	—	—	12.2"	16.56"	4.36"	—	P01101,P00876
667175L	Complete Strut Assembly	B11	12.88"	—	—	13.4"	20.2"	6.85"	—	P01149
667175R	Complete Strut Assembly	B11	12.88"	—	—	13.4"	20.2"	6.85"	—	P01149
667176L	Complete Strut Assembly	B10	9.71"	—	—	11.02"	17.6"	6.58"	—	P01149
667176R	Complete Strut Assembly	B10	9.71"	—	—	11.02"	17.6"	6.58"	—	P01149
667177L	Complete Strut Assembly	B12	15.06"	—	—	15.56"	23.13"	7.56"	—	None
667177R	Complete Strut Assembly	B12	15.06"	—	—	15.56"	23.13"	7.56"	—	None
667178L	Complete Strut Assembly	B2	15.42"	—	—	15.53"	23.09"	7.56"	—	P01141
667178R	Complete Strut Assembly	B2	15.42"	—	—	15.53"	23.09"	7.56"	—	P01141
667179	Complete Strut Assembly	B11	14.45"	—	—	14.95"	21.1"	6.15"	—	
667180	Complete Strut Assembly	B10	12.81"	—	—	13.62"	20.49"	6.87"	—	P01101
667181	Complete Strut Assembly	B11	16"	—	—	16.38"	23"	6.63"	—	None
671377L	Complete Strut Assembly	B4	13.57"	—	—	14.07"	20.32"	6.25"	—	P01580
671377R	Complete Strut Assembly	B4	13.57"	—	—	14.07"	20.32"	6.25"	—	P01580
672526	Complete Strut Assembly	B9	13.17"	—	—	13.67"	21.03"	7.36"	—	P01572,P01573
672527	Complete Strut Assembly	B9	13.17"	—	—	13.67"	21.03"	7.36"	—	P01572,P01573
672665†	Complete Strut Assembly	SS5	14.86"	—	—	20.36"	25.5"	5.14"	—	P01113
801100	Strut	SS4	13.08"	—	—	13.58"	18.08"	4.52"	—	None
801241†	Strut	SS4	15.75"	—	—	16"	24.13"	8.13"	—	P878
801256†	Strut	SS1	12"	—	—	12.25"	19"	6.75"	—	P762
801265†	Strut	SS1	16.13"	—	—	16.5"	25"	8.5"	—	P01006
801266†	Strut	SS5	13.13"	—	—	13.25"	19.38"	6.13"	—	P878
801278†	Strut	SS2	10.68"	—	—	11.18"	16.67"	5.49"	—	None
801281†	Strut	SS2	17.13"	—	—	17.38"	23.75"	6.38"	—	None
801286†	Strut	SS4	15.8"	—	—	16.3"	24.29"	7.99"	—	P866
801291†	Strut	SPEC	9.56"	—	—	10"	15.38"	5.38"	—	P906
801292†	Strut	SPEC	12.75"	—	—	13.25"	19.25"	6"	—	P878
801293†	Strut	B3	12.01"	—	—	12.51"	17.73"	5.22"	—	P906
801296†	Strut	SS2	14.25"	—	—	14.5"	21.25"	6.75"	—	None
801297†	Strut	SPEC	11.56"	—	—	12"	19.25"	7.25"	—	P1498
801299†	Strut	SS2	16.38"	—	—	16.5"	25.25"	8.75"	—	P906
801311†	Strut	SS4	12.9"	—	—	13.4"	20.43"	7.03"	—	None
801312†	Strut	SS2	11"	—	—	11.5"	16.5"	5"	—	None
801326	Strut	SS2	14.94"	—	—	15.44"	22.17"	6.73"	—	P01629
801340	Strut	SS2	10"	—	—	10.38"	14.75"	4.38"	—	P00906
801341†	Strut	B3	11.02"	—	—	11.07"	16.08"	5.01"	—	None
801347	Strut	SS2	13.12"	—	—	13.62"	17.93"	4.31"	—	P01612
801351†	Strut	SS2	13.05"	—	—	13.5"	16.16"	2.66"	—	P1612
801352†	Strut	SS2	13.12"	—	—	13.62"	18.19"	4.57"	—	P1612
801358	Strut	SS2	10.29"	—	—	10.79"	14.62"	3.83"	—	P01614
801371	Strut	SS2	16.39"	—	—	16.89"	21.83"	4.94"	—	P01613
801372	Strut	SS2	16.52"	—	—	17.02"	24.88"	7.86"	—	P00906
801377	Strut	B3	13.42"	—	—	13.92"	20.25"	6.33"	—	None
801426†	Strut	B10	13.38"	—	—	13.63"	20.5"	6.88"	—	P00762
801427†	Strut	B10	13.38"	—	—	13.63"	20.5"	6.88"	—	P00762
801433	Strut	B14	12.75"	—	—	13"	19.13"	6.13"	—	P00762
801434	Strut	B14	12.75"	—	—	13"	19.13"	6.13"	—	P00762
801437†	Strut	B10	14.64"	—	—	15.14"	21.77"	6.63"	—	P01371
801438†	Strut	B11	14.64"	—	—	15.14"	21.77"	6.63"	—	P01371
801451†	Strut	B11	13.85"	—	—	14.35"	21.69"	7.34"	—	P00762
801452†	Strut	B11	13.85"	—	—	14.35"	21.69"	7.34"	—	P00762
801504†	Strut	B4	14.75"	—	—	15.13"	21.38"	6.25"	—	P762
801505	Strut	B4	14.75"	—	—	15.13"	21.38"	6.25"	—	P762

† Bumper Stop Unit. Dimension Shown at Bumper Contact

‡ Hydraulic Lockout Unit. Dimension Shown is Metal-to-Metal, Subtract Approximately 5/8" (.62) from the Extended Length for Start-of-Engagement.

MOUNTING & LENGTH SPECIFICATIONS

Part No.	Part Type	STRUT BODY		END CODE		LENGTHS			Spring (Rate)	Parts Pack(s)
		Type	Length	Upper	Lower	Comp.	Ext.	Trav.		
801525†	Strut	B4	14.5"	—	—	15.25"	22"	6.75"	—	P808
801565†	Strut	B3	9.49"	—	—	9.99"	13.33"	3.34"	—	P1095
801566	Strut	B11	12.63"	—	—	12.88"	18.75"	5.88"	—	P00762
801567	Strut	B11	12.63"	—	—	12.88"	18.75"	5.88"	—	P00762
801570†	Strut	B10	14.88"	—	—	16.63"	23.38"	6.75"	—	P762
801571†	Strut	B10	14.88"	—	—	16.63"	23.38"	6.75"	—	P762
801572†	Strut	B5	11"	—	—	11.5"	18.5"	7"	—	P590
801578†	Strut	B2	16.25"	—	—	16.5"	24.38"	7.88"	—	None
801579†	Strut	B2	16.25"	—	—	16.5"	24.38"	7.88"	—	None
801580†	Strut	B5	11.56"	—	—	12"	18"	6"	—	None
801592†	Strut	B5	11.56"	—	—	12"	18"	6"	—	None
801593†	Strut	B11	17.09"	—	—	17.59"	24.94"	7.35"	—	P00590
801594†	Strut	B11	14.93"	—	—	15.43"	22.5"	7.07"	—	P00590
801597	Strut	B9	14.25"	—	—	14.5"	21"	6.5"	—	P00762
801598	Strut	B9	14.25"	—	—	14.5"	21"	6.5"	—	P00762
801615†	Strut	B4	14.75"	—	—	14.88"	19"	4.13"	—	P1439
801616†	Strut	B4	15.88"	—	—	16"	21.88"	5.88"	—	P590
801617†	Strut	B13	10.72"	—	—	11.22"	17.61"	6.39"	—	P1434
801618†	Strut	B13	10.72"	—	—	11.22"	17.61"	6.39"	—	P1434
801654	Strut	B2	12.38"	—	—	12.88"	18.88"	6"	—	P00762
801655	Strut	B2	12.38"	—	—	12.88"	18.88"	6"	—	P00762
801661†	Strut	B9	9.77"	—	—	10.27"	16.68"	6.41"	—	None
801662†	Strut	B12	15.03"	—	—	15.53"	23.09"	7.56"	—	P1433
801663	Strut	B2	15"	—	—	15.5"	23.13"	7.63"	—	P853
801667†	Strut	B13	10.63"	—	—	11.13"	17.38"	6.25"	—	P1455
801668†	Strut	B13	10.63"	—	—	11.13"	17.38"	6.25"	—	P1455
801669†	Strut	B3	17.5"	—	—	17.75"	26.5"	8.75"	—	P1456
801670†	Strut	B5	10"	—	—	10.5"	15.38"	4.88"	—	None
801671	Strut	B2	15.5"	—	—	15.63"	21"	5.38"	—	P01700
801672†	Strut	B10	10.56"	—	—	11.06"	18.08"	7.02"	—	P1467
801673†	Strut	B9	12.3"	—	—	12.8"	21.18"	8.38"	—	None
801678†	Strut	B10	13.38"	—	—	13.88"	20.12"	6.24"	—	None
801679†	Strut	B10	13.38"	—	—	13.88"	20.12"	6.24"	—	None
801680†	Strut	B10	15.81"	—	—	16.31"	24.21"	7.9"	—	None
801681†	Strut	B10	15.81"	—	—	16.31"	24.21"	7.9"	—	None
801682†	Strut	B10	13.84"	—	—	14.34"	21.7"	7.36"	—	P1451
801683†	Strut	B10	13.84"	—	—	14.34"	21.7"	7.36"	—	P1451
801686	Strut	B2	11.63"	—	—	12.13"	20.38"	8.25"	—	None
801687	Strut	B4	13.5"	—	—	14"	20.25"	6.25"	—	P762
801691†	Strut	B3	13.63"	—	—	16.63"	19.5"	2.88"	—	P906
801728†	Strut	B1	9.75"	—	—	10.25"	17.4"	7.15"	—	None
801771†	Strut	B5	9.75"	—	—	10.25"	16.88"	6.63"	—	P590
801798†	Strut	B15	13.25"	—	—	13.75"	21"	7.25"	—	P853
801799†	Strut	B5	13.25"	—	—	13.75"	21"	7.25"	—	P1581
801803†	Strut	B1	13.13"	—	—	13.63"	20.13"	6.5"	—	P1453
801822†	Strut	B5	11"	—	—	11.5"	18.5"	7"	—	P853
801828†	Strut	B1	13.13"	—	—	13.63"	20.13"	6.5"	—	P1454
801831†	Strut	B1	10"	—	—	10.5"	18.5"	8"	—	None
801846†	Strut	B2	14"	—	—	14.5"	22.63"	8.13"	—	P808
801847†	Strut	B2	14"	—	—	14.5"	22.63"	8.13"	—	P808
801857†	Strut	B11	12.63"	—	—	13.13"	19.13"	6"	—	P808
801858†	Strut	B11	12.63"	—	—	13.13"	19.13"	6"	—	P808
801859†	Strut	B11	12.88"	—	—	13.38"	19.63"	6.25"	—	P808
801860†	Strut	B11	12.88"	—	—	13.38"	19.63"	6.25"	—	P808
801861†	Strut	B11	15.75"	—	—	16"	24"	8"	—	P808
801862†	Strut	B11	15.75"	—	—	16"	24"	8"	—	P808
801871†	Strut	B11	12.88"	—	—	13.38"	19.63"	6.25"	—	None
801872†	Strut	B11	12.88"	—	—	13.38"	19.63"	6.25"	—	None
801873†	Strut	B10	14.38"	—	—	14.88"	23.13"	8.25"	—	None
801874†	Strut	B10	14.38"	—	—	14.88"	23.13"	8.25"	—	None
801875†	Strut	B3	12.13"	—	—	13.5"	17.75"	4.25"	—	P906

† Bumper Stop Unit. Dimension Shown at Bumper Contact

‡ Hydraulic Lockout Unit. Dimension Shown is Metal-to-Metal, Subtract Approximately 5/8" (.62) from the Extended Length for Start-of-Engagement.

MOUNTING & LENGTH SPECIFICATIONS

Part No.	Part Type	STRUT BODY		END CODE		LENGTHS			Spring (Rate)	Parts Pack(s)
		Type	Length	Upper	Lower	Comp.	Ext.	Trav.		
801878†	Strut	B2	11.38"	—	—	11.88"	18.38"	6.5"	—	P1442
801897†	Strut	SPEC	12.38"	—	—	12.75"	16.38"	3.63"	—	P01095
801900†	Strut	B11	13.75"	—	—	14.25"	20.25"	6"	—	None
801901†	Strut	B11	13.75"	—	—	14.25"	20.25"	6"	—	None
801920†	Strut	B4	14.63"	—	—	14.75"	21.13"	6.38"	—	P1526
801925†	Strut	B17	12.13"	—	—	12.63"	19.63"	7"	—	P1328 & P1329
801932†	Strut	B7	8.28"	—	—	8.78"	15.22"	6.44"	—	P808
801933	Strut	B10	13.5"	—	—	13.88"	20.5"	6.63"	—	P00986
801941†	Strut	B11	12.5"	—	—	13"	18.88"	5.88"	—	P00839
801942†	Strut	B11	12.5"	—	—	13"	18.88"	5.88"	—	P00839
801945†	Strut	B3	11.88"	—	—	12"	17.25"	5.25"	—	P906
801946†	Strut	B3	11.88"	—	—	12"	17.25"	5.25"	—	P906
801951†	Strut	B2	12.75"	—	—	13.25"	18.75"	5.5"	—	P808
801952†	Strut	B2	12.75"	—	—	13.25"	18.75"	5.5"	—	P808
801953†	Strut	B2	15.13"	—	—	15.5"	22.5"	7"	—	P808
801954†	Strut	B9	14.93"	—	—	15.43"	22.5"	7.07"	—	P808
801959†	Strut	B5	9.63"	—	—	10.13"	15.5"	5.38"	—	P1435
801960†	Strut	B9	13.63"	—	—	14.13"	19.25"	5.13"	—	P588 & P1330
801962†	Strut	B7	12.33"	—	—	12.83"	18.49"	5.66"	—	P589
801963†	Strut	B7	12.38"	—	—	12.88"	18.5"	5.63"	—	P1449
801964†	Strut	B5	12.75"	—	—	13.25"	19.5"	6.25"	—	P1438
801968†	Strut	B10	13.63"	—	—	14.38"	20.13"	5.75"	—	None
801969†	Strut	B10	13.63"	—	—	14.38"	20.13"	5.75"	—	None
801973†	Strut	B5	10.88"	—	—	11.38"	17.75"	6.38"	—	P588
801979†	Strut	B11	13.75"	—	—	13.88"	20.13"	6.25"	—	P808
801980†	Strut	B11	13.75"	—	—	13.88"	20.13"	6.25"	—	P808
801984†	Strut	B4	15.88"	—	—	16.88"	26.13"	9.25"	—	P762
801989†	Strut	B3	12.88"	—	—	13"	18.13"	5.13"	—	P906
801992†	Strut	B2	11.56"	—	—	12"	18.5"	6.5"	—	P1442
802105	Strut	B10	12.91"	—	—	12.83"	18.78"	5.95"	—	P00762
802106†	Strut	B10	12.91"	—	—	12.83"	18.78"	5.95"	—	P00762
802116	Strut	B11	13.1"	—	—	13.6"	20.64"	7.04"	—	P00808
802117	Strut	B11	13.1"	—	—	13.6"	20.64"	7.04"	—	P00808
802123	Strut	SS2	11.7"	—	—	12.2"	16.56"	4.36"	—	P00906
802130	Strut	B11	12.88"	—	—	13.38"	20.29"	6.91"	—	None
802143†	Strut	B14	14.72"	—	—	14.53"	21.1"	6.6"	—	P00762
802144†	Strut	B14	14.72"	—	—	14.53"	21.1"	6.6"	—	P00762
802179†	Strut	B11	11.05"	—	—	11.55"	17.6"	6.05"	—	P01460
802199†	Strut	B10	13.27"	—	—	11.55"	17.91"	6.36"	—	P01460
802200	Strut	B10	13.27"	—	—	11.55"	17.91"	6.36"	—	P01460
802205†	Strut	B10	13.92"	—	—	14.42"	22.06"	7.64"	—	P01418
802206†	Strut	B10	13.92"	—	—	14.42"	22.06"	7.64"	—	P01418
802207	Strut	B10	15.47"	—	—	15.97"	24.49"	8.52"	—	P00808
802208	Strut	B10	15.34"	—	—	15.84"	24.49"	8.65"	—	P00808
802211	Strut	B12	16.31"	—	—	16.81"	21.17"	4.36"	—	P01418
802212	Strut	B12	16.31"	—	—	16.81"	21.17"	4.36"	—	P01418
802217†	Strut	B11	11.71"	—	—	12.31"	20.59"	8.28"	—	P01460
802218†	Strut	B11	11.71"	—	—	12.31"	20.59"	8.28"	—	P01460
802236†	Strut	B17	15.91"	—	—	16.41"	23.82"	7.41"	—	P01418
802237†	Strut	B17	15.91"	—	—	16.41"	23.82"	7.41"	—	P01418
802240	Strut	B9	13.12"	—	—	13.62"	20.49"	6.87"	—	P00762
802241	Strut	B9	13.12"	—	—	13.62"	20.49"	6.87"	—	P00762
802248	Strut	SS4	19.33"	—	—	19.83"	24.98"	5.15"	—	P01522
802263	Strut	B4	13.62"	—	—	12.25"	18.94"	6.69"	—	P00762
802264	Strut	B4	13.16"	—	—	12.25"	18.94"	6.69"	—	P00762
802267	Strut	B9	14.54"	—	—	15.04"	22.21"	7.17"	—	P00762
802268	Strut	B9	14.54"	—	—	15.04"	22.21"	7.17"	—	P00762
802275	Strut	B10	14.64"	—	—	15.14"	21"	5.86"	—	P00808
802276	Strut	B10	15.14"	—	—	15.14"	21"	5.86"	—	P00808
802295	Strut	B11	13.28"	—	—	13.78"	20.09"	6.31"	—	P00808
802296	Strut	B11	13.28"	—	—	13.78"	20.09"	6.31"	—	P00808

† Bumper Stop Unit. Dimension Shown at Bumper Contact

‡ Hydraulic Lockout Unit. Dimension Shown is Metal-to-Metal, Subtract Approximately 5/8" (.62) from the Extended Length for Start-of-Engagement.

MOUNTING & LENGTH SPECIFICATIONS

Part No.	Part Type	STRUT BODY		END CODE		LENGTHS			Spring (Rate)	Parts Pack(s)
		Type	Length	Upper	Lower	Comp.	Ext.	Trav.		
802307†	Strut	B2	14.07"	—	—	14.57"	21.5"	6.93"	—	P01418
802308†	Strut	B2	14.07"	—	—	14.57"	21.5"	6.93"	—	P01418
802367†	Strut	B12	13.04"	—	—	13.54"	20.08"	6.54"	—	None
802368	Strut	B12	13.04"	—	—	13.54"	20.8"	6.54"	—	None
802378†	Strut	B9	12.6"	—	—	13.1"	19.8"	6.7"	—	P00762
802379†	Strut	B11	12.6"	—	—	13.1"	19.8"	6.7"	—	P00762
802392	Strut	B9	13.13"	—	—	13.63"	17.43"	3.8"	—	None
802393	Strut	B9	13.13"	—	—	13.63"	17.43"	3.8"	—	None
802401	Strut	SS2	11.78"	—	—	12.69"	18.98"	6.29"	—	P00906
802518†	Strut	B9	10.7"	—	—	11.27"	19.12"	7.85"	—	None
802591	Strut	B11	11.72"	—	—	12.22"	18.74"	6.52"	—	None
872526‡	Complete Strut Assembly	B11	15.77"	—	—	16.92"	24.28"	7.36"	—	P01572, P01573
872527‡	Complete Strut Assembly	B11	15.77"	—	—	16.92"	24.28"	7.36"	—	P01572, P01573
911021	Shock	—	—	XP7	LS47	14.5"	24"	9.5"	—	None
911034†	Shock	—	—	S4	LS26	10"	14.75"	4.75"	—	P01135
911035	Shock	—	—	XP7	LS26	15"	25"	10"	—	P00941
911039	Shock	—	—	L1	LS26	15.75"	26.38"	10.63"	—	None
911043†	Shock	—	—	LS77	LS39	11.25"	16.5"	5.25"	—	None
911044†	Shock	—	—	XP7	LS47	16.25"	26.75"	10.5"	—	None
911050†	Shock	—	—	S4	XP5	9.5"	13.75"	4.25"	—	P01134
911055†	Shock	—	—	LS26	LS26	14"	22.5"	8.5"	—	None
911080†	Shock	—	—	S4	LS26	12.5"	20.75"	8.25"	—	P01135
911085†	Shock	—	—	XP7	LS47	14"	22.38"	8.38"	—	None
911086†	Shock	—	—	XP7	LS47	14.75"	23.75"	9"	—	None
911091	Shock	—	—	LS39	LS39	13"	20.88"	7.88"	—	None
911096	Shock	—	—	S4	XP8	9"	13.75"	4.75"	—	P01135
911099†	Shock	—	—	LS39	LS39	11.5"	16.63"	5.13"	—	None
911102†	Shock	—	—	S5	LS47	9.63"	13.75"	4.13"	—	P01167
911103	Shock	—	—	LS47	LS47	15.38"	24.63"	9.25"	—	None
911104‡	Shock	—	—	S5	LS47	14"	21.75"	7.75"	—	P01167
911128†	Shock	—	—	S4	L1	9.75"	14.25"	4.5"	—	P01135,P01319
911131†	Shock	—	—	S5	XP5	10.25"	14.88"	4.63"	—	P01167
911132	Shock	—	—	S4	LS26	14.25"	23.88"	9.63"	—	P01135
911133†	Shock	—	—	S4	LS39	10"	14.38"	4.38"	—	P01136
911134	Shock	—	—	S4	LS26	16.13"	27.5"	11.38"	—	P01136
911140†	Shock	—	—	LS28	LS28	15.25"	24.63"	9.38"	—	None
911145	Shock	—	—	LS26	LS26	14.38"	23.13"	8.75"	—	None
911149†	Shock	—	—	S4	XP5	10.38"	14.38"	4"	—	P01135
911150†	Shock	—	—	LS47	LS47	15.5"	23.88"	8.38"	—	None
911151†	Shock	—	—	S4	SPEC	10.88"	15.13"	4.25"	—	P01136
911152†	Shock	—	—	LS47	LS47	16.75"	25.5"	8.75"	—	None
911161†	Shock	—	—	S4	XP4	13"	20.75"	7.75"	—	P01136,P00941
911164†	Shock	—	—	LS47	LS47	16"	26.13"	10.13"	—	None
911166†	Shock	—	—	LS47	LS47	14.75"	23.5"	8.75"	—	None
911167†	Shock	—	—	LS47	LS47	14.38"	23"	8.63"	—	None
911168†	Shock	—	—	LS47	LS47	15"	24"	9"	—	None
911173†	Shock	—	—	S5	L1	10.25"	15"	4.75"	—	P01167
911174	Shock	—	—	XP7	LS26	15.25"	25.13"	9.88"	—	None
911175†	Shock	—	—	L1	LS26	13.75"	21.88"	8.13"	—	None
911176	Shock	—	—	XP7	LS26	16.75"	28.25"	11.5"	—	None
911178†	Shock	—	—	S4	SPEC	10.75"	15.25"	4.5"	—	P01135
911181†	Shock	—	—	S5	LS42	10.25"	15.13"	4.88"	—	P01167
911186†	Shock	—	—	S5	XP12	9.88"	14.25"	4.38"	—	P01167
911187	Shock	—	—	LS47	LS47	16"	26.5"	10.5"	—	None
911188†	Shock	—	—	S5	LS47	10.75"	15.88"	5.13"	—	P01167
911190†	Shock	—	—	LS77	LS39	11.25"	15.88"	4.63"	—	None
911191†	Shock	—	—	S5	LS47	9.63"	13.75"	4.13"	—	P01167
911192	Shock	—	—	LS47	LS47	15.75"	26.13"	10.38"	—	None
911193†	Shock	—	—	S5	LS47	14.25"	22.25"	8"	—	P01167
911194	Shock	—	—	L1	LS26	16.63"	28.13"	11.5"	—	None
911195†	Shock	—	—	L1	LS26	14.25"	22.88"	8.63"	—	None

† Bumper Stop Unit. Dimension Shown at Bumper Contact

‡ Hydraulic Lockout Unit. Dimension Shown is Metal-to-Metal, Subtract Approximately 5/8" (.62) from the Extended Length for Start-of-Engagement.

MOUNTING & LENGTH SPECIFICATIONS

Part No.	Part Type	STRUT BODY		END CODE		LENGTHS			Spring (Rate)	Parts Pack(s)
		Type	Length	Upper	Lower	Comp.	Ext.	Trav.		
911196	Shock	—	—	L1	LS26	18.25"	31"	12.75"	—	None
911197	Shock	—	—	LS43	LS43	16.42"	23.45"	7.03"	—	None
911198†	Shock	—	—	S5	LS92	14.75"	21.38"	6.63"	—	P01167
911199†	Shock	—	—	LS92	LS92	17.18"	27.69"	10.51"	—	None
911220	Shock	—	—	S4	LS26	9.75"	14.75"	5"	—	P01135
911221†	Shock	—	—	S5	XP12	11"	16.38"	5.38"	—	P01167
911222	Shock	—	—	LS47	LS47	16.5"	27.5"	11"	—	None
911223†	Shock	—	—	S5	LS47	14.5"	22.75"	8.25"	—	P01167
911228	Shock	—	—	XP7	LS47	13.38"	21"	7.63"	—	None
911229	Shock	—	—	S4	LS21	10"	14.5"	4.5"	—	P01134
911230	Shock	—	—	XP7	LS47	14.38"	23"	8.63"	—	None
911255	Shock	—	—	S4	XP5	9.25"	12.88"	3.63"	—	P01135
911256	Shock	—	—	S4	SPEC	10.88"	15.13"	4.25"	—	P01136
911257	Shock	—	—	S4	XP5	9.88"	14.13"	4.25"	—	P01136
911258	Shock	—	—	LS40	LS40	13.63"	21.75"	8.13"	—	None
911259	Shock	—	—	LS29	LS23	11"	16"	5"	—	None
911260	Shock	—	—	LS29	LS74	15.25"	24"	8.75"	—	None
911261	Shock	—	—	LS39	LS39	15.5"	25"	9.5"	—	None
911262	Shock	—	—	LS39	LS39	16.5"	27.25"	10.75"	—	None
911265	Shock	—	—	L1	LS26	16.25"	27"	10.75"	—	None
911266	Shock	—	—	S5	LS47	13.63"	20.75"	7.13"	—	P01167
911267	Shock	—	—	L1	LS26	17.63"	29.63"	12"	—	None
911268	Shock	—	—	L1	LS26	18.5"	31.38"	12.88"	—	None
911277	Shock	—	—	LS28	LS28	14.75"	24"	9.25"	—	None
911278	Shock	—	—	LS30	LS38	15.13"	24.25"	9.13"	—	None
911299	Shock	—	—	LS47	LS47	16.42"	26.09"	9.67"	—	None
911300	Shock	—	—	S5	XP10	9.63"	14.33"	4.7"	—	P01167
911302	Shock	—	—	LS38	LS38	18.43"	28.64"	10.21"	—	None
911303	Shock	—	—	LS92	LS92	16.25"	25.88"	9.63"	—	None
911304†	Shock	—	—	CLEV	S2	16.12"	21.46"	5.34"	—	P00762
911330†	Shock	—	—	CLEV	S5	18.64"	24.8"	6.16"	—	P00590,P01637
911331†	Shock	—	—	LS27	LS27	17.06"	28.07"	11.01"	—	None
911332	Shock	—	—	LS27	LS27	17.81"	29.44"	11.63"	—	None
911334†	Shock	—	—	LS39	LS39	17.28"	28.78"	11.5"	—	None
911335†	Shock	—	—	LS39	LS39	17.89"	29.69"	11.8"	—	None
911336†	Shock	—	—	LS51	LS47	14.86"	24.26"	9.4"	—	P01167
911447	Shock	—	—	S2	CLEV	13.72"	17.97"	4.25"	—	P01299
911501	Shock	—	—	S4	SPEC	10.88"	15.38"	4.5"	—	P01136
911502	Shock	—	—	LS47	LS47	16.75"	25.63"	8.88"	—	None
911503	Shock	—	—	S4	XP5	10.25"	14.63"	4.38"	—	P01136
911504	Shock	—	—	LS47	LS47	15.38"	24.13"	8.75"	—	None
911505	Shock	—	—	S4	SPEC	10.88"	15.38"	4.5"	—	P01136
911506	Shock	—	—	LS47	LS47	15.38"	23.75"	8.38"	—	None
911507	Shock	—	—	S4	LS42	12.5"	15.5"	3"	—	P01136
911508	Shock	—	—	LS43	LS43	17.75"	27.25"	9.5"	—	None
911509	Shock	—	—	LS28	LS29	14.63"	23.25"	8.63"	—	None
911510	Shock	—	—	LS28	LS29	14.63"	22.38"	7.75"	—	None
911511	Shock	—	—	LS77	LS39	11.38"	16.63"	5.25"	—	None
911512	Shock	—	—	XP7	LS47	16"	25.63"	9.63"	—	None
911513	Shock	—	—	S4	XP5	9.63"	14"	4.38"	—	P01136
911514	Shock	—	—	LS39	LS39	11.38"	16.63"	5.25"	—	None
911515	Shock	—	—	XP2	LS39	16"	25.25"	9.25"	—	None
911516	Shock	—	—	S4	XP4	9"	13.38"	4.38"	—	P01136
911517	Shock	—	—	XP7	LS47	14.76"	23.15"	8.39"	—	None
911518	Shock	—	—	S4	XP12	13"	18.5"	5.5"	—	P01136,P00941
911519	Shock	—	—	LS79	LS26	16"	25.5"	9.5"	—	None
911520	Shock	—	—	S4	LS39	10"	14.5"	4.5"	—	P01136
911521	Shock	—	—	S4	LS26	16.25"	26.5"	10.25"	—	P01136
911522	Shock	—	—	S4	XP1	13.25"	20.5"	7.25"	—	P01136,P00941
911523	Shock	—	—	LS29	LS25	14.13"	21.75"	7.63"	—	None
911524	Shock	—	—	S4	XP1	13.38"	21"	7.63"	—	P01136,P00941

† Bumper Stop Unit. Dimension Shown at Bumper Contact

‡ Hydraulic Lockout Unit. Dimension Shown is Metal-to-Metal, Subtract Approximately 5/8" (.62) from the Extended Length for Start-of-Engagement.

MOUNTING & LENGTH SPECIFICATIONS

Part No.	Part Type	STRUT BODY		END CODE		LENGTHS			Spring (Rate)	Parts Pack(s)
		Type	Length	Upper	Lower	Comp.	Ext.	Trav.		
911525	Shock	—	—	L1	LS25	13.88"	21.5"	7.63"	—	None
911526	Shock	—	—	XP7	LS47	14.75"	23.75"	9"	—	None
911527	Shock	—	—	S6	SPEC	11.13"	15.38"	4.25"	—	P01136
911528	Shock	—	—	SPEC	LS47	15.38"	24"	8.63"	—	None
911529	Shock	—	—	S4	LS23	8.13"	12.13"	4"	—	P01137
911530	Shock	—	—	L1	L1	13"	20.75"	7.75"	—	None
911533	Shock	—	—	LS43	LS43	15.83"	24.8"	8.97"	—	None
911534	Shock	—	—	S5	LS43	15.74"	24.93"	9.19"	—	P01167
911535	Shock	—	—	LS43	LS43	17.68"	28.44"	10.76"	—	None
911536	Shock	—	—	S4	LS26	14.02"	21.93"	7.91"	—	P01136
911538	Shock	—	—	SPEC	LS26	14.69"	22.56"	7.87"	—	None
911539	Shock	—	—	SPEC	LS27	14.76"	23.15"	8.39"	—	None
911540	Shock	—	—	S4	SPEC	13.08"	20.49"	7.41"	—	P01136
911541	Shock	—	—	SPEC	LS24	12.52"	18.95"	6.43"	—	None
911545	Shock	—	—	LS47	LS47	15.67"	21.38"	5.71"	—	None
911546	Shock	—	—	LS47	LS47	15.49"	21.25"	5.76"	—	None
972526†	Complete Strut Assembly	B9	13.02"	—	—	13.52"	21.03"	7.51"	—	P01572, P01573
972527†	Complete Strut Assembly	B9	13.02"	—	—	13.52"	21.03"	7.51"	—	P01572, P01573
MA700	Shock	—	—	S4	L1/CP3	12.75"	21.38"	8.63"	—	P00576,P01134
MA702	Shock	—	—	XP7	L1/CP4	12.63"	20.75"	8.13"	—	P00072
MA704	Shock	—	—	L2	L2	13.13"	21.25"	8.13"	—	P00076
MA705†	Shock	—	—	S4	S4	10.88"	17.38"	6.5"	—	P01134
MA706	Shock	—	—	XP7	LS14	13"	21.38"	8.38"	—	None
MA708†	Shock	—	—	XP7	S4	12.25"	19.88"	7.63"	—	P01137
MA709	Shock	—	—	L1/CP1	S4	10.75"	17.38"	6.63"	—	P00576,P01135
MA711	Shock	—	—	S4	LS14	11.88"	19.63"	7.75"	—	P01134
MA717	Shock	—	—	XP7	L1/CP3	12.75"	20.88"	8.13"	—	P00576
MA719	Shock	—	—	XP7	L1/CP3	14.5"	23.75"	9.25"	—	P00576
MA726	Shock	—	—	S4	LS38	12.25"	19.75"	7.5"	—	P01134
MA727	Shock	—	—	L1	L1	12.75"	20.38"	7.63"	—	P00573
MA728	Shock	—	—	L1/CP5	L1/CP3	14.25"	23.38"	9.13"	—	P00572,P00576
MA733	Shock	—	—	LS39	L2	15.5"	26.25"	10.75"	—	None
MA739	Shock	—	—	S4	S4	12.38"	20.88"	8.5"	—	P01137
MA743	Shock	—	—	L1/CP5	LS47	14"	23"	9"	—	P00019
MA746	Shock	—	—	LS38	LS39	13.13"	21"	7.88"	—	P00185
MA750	Shock	—	—	LS39	S4	11.63"	18.88"	7.25"	—	P01134
MA751	Shock	—	—	XP7	L1/CP3	13"	20.63"	7.63"	—	P00576
MA756	Shock	—	—	S4	LS17	10.25"	16.38"	6.13"	—	P01135
MA757	Shock	—	—	LS39	L2	13.88"	22.5"	8.63"	—	None
MA758	Shock	—	—	LS74	LS74	14.13"	23"	8.88"	—	None
MA759†	Shock	—	—	XP7	LS47	14.63"	24"	9.38"	—	None
MA762	Shock	—	—	XP7	L1/CP4	12.63"	20.63"	8"	—	P00072
MA764	Shock	—	—	XP7	LS47	15.88"	27.13"	11.25"	—	None
MA765†	Shock	—	—	XP12	L1/CP4	12.88"	20.5"	7.63"	—	P00072
MA768	Shock	—	—	LS28	LS26	12"	18.5"	6.5"	—	None
MA769†	Shock	—	—	L1	LS26	14.13"	22.88"	8.75"	—	P00827
MA770†	Shock	—	—	L1	LS26	15.88"	26.38"	10.5"	—	P00827
MA771†	Shock	—	—	L1	LS26	14.13"	22.88"	8.75"	—	None
MA773†	Shock	—	—	L1	LS26	13.5"	21.75"	8.25"	—	None
MA775†	Shock	—	—	L1	LS26	15.5"	25.75"	10.25"	—	None
MA776†	Shock	—	—	XP7	LS26	15"	24.38"	9.38"	—	P00941
MA777	Shock	—	—	S4	LS26	12.5"	20.5"	8"	—	P01135
MA778†	Shock	—	—	XP5	LS47	13.88"	22.88"	9"	—	None
MA779†	Shock	—	—	XP7	LS47	14.5"	23.75"	9.25"	—	None
MA780	Shock	—	—	XP7	LS16	13.38"	21.5"	8.13"	—	None
MA785†	Shock	—	—	LS14	LS53	9.5"	14"	4.5"	—	P00437
MA789	Shock	—	—	XP7	L1/CP1	12.75"	20.5"	7.75"	—	P00577
MA791†	Shock	—	—	LS83	LS28	15.13"	22.38"	7.25"	—	None
MA803†	Shock	—	—	LS23	LS30	10.5"	16.13"	5.63"	—	None
MA805	Shock	—	—	S4	L1/CP4	12.75"	19.5"	6.75"	—	P00072,P01134
MA809	Shock	—	—	S4	LS7	14.25"	21.5"	7.25"	—	P01278

† Bumper Stop Unit. Dimension Shown at Bumper Contact

‡ Hydraulic Lockout Unit. Dimension Shown is Metal-to-Metal, Subtract Approximately 5/8" (.62) from the Extended Length for Start-of-Engagement.

MOUNTING & LENGTH SPECIFICATIONS

Part No.	Part Type	STRUT BODY		END CODE		LENGTHS			Spring (Rate)	Parts Pack(s)
		Type	Length	Upper	Lower	Comp.	Ext.	Trav.		
MA810	Shock	—	—	S4	L1/CP3	12.38"	20.5"	8.13"	—	P00576,P01136
MA812	Shock	—	—	L1	L1	12.75"	20.75"	8"	—	None
MA815†	Shock	—	—	S4	L1/CP3	12.25"	19.88"	7.63"	—	P00576,P01136
MA817	Shock	—	—	LS40	LS40	12.75"	20.88"	8.13"	—	P00185,P00188
MA819†	Shock	—	—	XP7	L1/CP3	13.38"	21.25"	7.88"	—	P00576
MA822†	Shock	—	—	S1	XP7	14.5"	24.38"	9.88"	—	P01243
MA824†	Shock	—	—	LS26	LS26	12.75"	20.13"	7.38"	—	None
MA826	Shock	—	—	LS33	LS42	11"	16"	5"	—	None
MA828	Shock	—	—	LS92	LS92	14.75"	24.88"	10.13"	—	None
MA829	Shock	—	—	S4	LS38	14.38"	24.88"	10.5"	—	P01136
MA830	Shock	—	—	LS92	LS92	14.63"	23.94"	9.31"	—	None
MA833	Shock	—	—	LS103	LS44	11.06"	15.98"	4.79"	—	None
MA834	Shock	—	—	LS43	LS43	15.53"	24.88"	9.35"	—	None
MA835	Shock	—	—	LS38	LS38	16.9"	28.26"	11.36"	—	None
MA836	Shock	—	—	LS38	LS38	17.4"	29.26"	11.86"	—	None
MA837	Shock	—	—	LS40	LS40	15.9"	26.26"	10.36"	—	None
RS5001	Shock	—	—	LS37	LS37	13.25"	21.01"	7.76"	—	P00816
RS5005	Shock	—	—	LS39	L2	17.39"	29.05"	11.66"	—	None
RS5006	Shock	—	—	L1	L1	11.75"	17.96"	6.21"	—	P00915,P01057
RS5007	Shock	—	—	L1	LS26	14.9"	24.31"	9.41"	—	None
RS5008	Shock	—	—	L1	L1	13.77"	22.06"	8.29"	—	P00915,P01057
RS5009	Shock	—	—	S4	LS38	15.68"	26.31"	10.63"	—	P01134
RS5010	Shock	—	—	L1	L1	15.9"	26.27"	10.37"	—	P00915,P01057,P00920
RS5012	Shock	—	—	L1	L1	19.02"	32.57"	13.55"	—	P00915,P00934
RS5014	Shock	—	—	S4	S4	14.69"	24.82"	10.13"	—	P01134
RS5017	Shock	—	—	S4	LS38	15.18"	25.3"	10.12"	—	P01135
RS5029	Shock	—	—	S42	LS26	9.68"	14.3"	4.62"	—	P01135
RS5034	Shock	—	—	L1	L1	20.14"	34.01"	13.87"	—	P00915,P01013
RS5036	Shock	—	—	L1	L1	21.15"	36.05"	14.9"	—	P00915,P01013
RS5039	Shock	—	—	S4	L1	9.69"	14.31"	4.62"	—	P01134,P01013
RS5040	Shock	—	—	S4	LS23	13.93"	22.32"	8.39"	—	P01134
RS5041	Shock	—	—	S4	LS23	13.27"	21.36"	8.09"	—	P01134
RS5042	Shock	—	—	S5	LS47	13.86"	20.8"	6.94"	—	P01167
RS5043	Shock	—	—	S5	LS47	15.1"	23.28"	8.18"	—	P01167
RS5044	Shock	—	—	S5	LS92	15.86"	24.78"	8.92"	—	P01167
RS5045	Shock	—	—	L1	LS26	19.84"	33.82"	13.39"	—	None
RS5046	Shock	—	—	L1	LS26	16.48"	27.12"	10.64"	—	None
RS5047	Shock	—	—	L1	LS26	18.61"	31.39"	12.78"	—	None
RS5048	Shock	—	—	S5	LS92	16.77"	26.69"	9.92"	—	P01167
RS5056	Shock	—	—	LS92	LS92	18.84"	31.97"	13.13"	—	None
RS5111	Shock	—	—	L2	L2	13.03"	20.34"	7.31"	—	None
RS5112	Shock	—	—	L1	L1	16.15"	26.36"	10.21"	—	P00913,P00915
RS5113	Shock	—	—	L1	L1	13.03"	20.34"	7.31"	—	P00916
RS5114	Shock	—	—	L2	L2	15.28"	24.68"	9.4"	—	P00939
RS5115	Shock	—	—	S4	L1	13.05"	20.67"	7.62"	—	P01134,P00910
RS5116	Shock	—	—	L1	L1	14.9"	24.02"	9.12"	—	P00916
RS5117	Shock	—	—	S4	L1	12.06"	18.7"	6.64"	—	P01134,P00910
RS5118	Shock	—	—	L1	L1	14.15"	22.29"	8.14"	—	P00912,P00915,P01013
RS5119	Shock	—	—	L1	L1	11.77"	18.03"	6.26"	—	P00916,P00925
RS5120	Shock	—	—	L1	LS36	9.9"	14.15"	4.25"	—	P00915,P00916
RS5123	Shock	—	—	LS39	LS39	11.77"	18.03"	6.26"	—	None
RS5124	Shock	—	—	XP7	LS47	14.86"	23.67"	8.81"	—	None
RS5125	Shock	—	—	L1	LS26	14.14"	22.28"	8.14"	—	None
RS5126	Shock	—	—	L1	LS26	16.14"	26.36"	10.22"	—	None
RS5128	Shock	—	—	S4	XP5	13.05"	21.03"	7.98"	—	P00941,P01136
RS5129	Shock	—	—	XP12	L1	12.9"	20.03"	7.13"	—	None
RS5132	Shock	—	—	L1	L1	16.15"	26.36"	10.21"	—	P00911
RS5134	Shock	—	—	L1	L1	19.15"	32.7"	13.55"	—	P00915,P00934
RS5136	Shock	—	—	S4	L1	11.3"	17.45"	6.15"	—	P01134,P00910
RS5137	Shock	—	—	S4	L1	15.18"	25.3"	10.12"	—	P01134,P00932
RS5143	Shock	—	—	L3	L3	15.56"	25.27"	9.71"	—	None

† Bumper Stop Unit. Dimension Shown at Bumper Contact

‡ Hydraulic Lockout Unit. Dimension Shown is Metal-to-Metal, Subtract Approximately 5/8" (.62) from the Extended Length for Start-of-Engagement.

MOUNTING & LENGTH SPECIFICATIONS

Part No.	Part Type	STRUT BODY		END CODE		LENGTHS			Spring (Rate)	Parts Pack(s)
		Type	Length	Upper	Lower	Comp.	Ext.	Trav.		
RS5144	Shock	—	—	L3	L3	14.2"	22.34"	8.14"	—	None
RS5145	Shock	—	—	S4	LS82	9.43"	13.44"	4.01"	—	P01134
RS5147	Shock	—	—	LS74	LS74	14.71"	23.17"	8.46"	—	None
RS5150	Shock	—	—	LS77	LS39	11.64"	16.79"	5.15"	—	None
RS5151	Shock	—	—	LS37	LS37	12.28"	18.9"	6.62"	—	P00816
RS5152	Shock	—	—	LS77	LS40	12.14"	17.9"	5.76"	—	None
RS5157	Shock	—	—	LS54	S5	13.71"	22.07"	8.36"	—	P01167
RS5158	Shock	—	—	S4	L3	13.06"	20.92"	7.86"	—	P01134
RS5159	Shock	—	—	S4	S4	12.78"	20.92"	8.14"	—	P01136
RS5165	Shock	—	—	LS26	LS26	14.02"	22.39"	8.37"	—	None
RS5166	Shock	—	—	S4	XP5	9.49"	13.87"	4.38"	—	P01134
RS5167	Shock	—	—	S4	L1	10.3"	15.32"	5.02"	—	P01134,P00910
RS5168	Shock	—	—	S4	LS38	15.3"	25.27"	9.97"	—	P01135
RS5179	Shock	—	—	S4	L1	13.93"	22.32"	8.39"	—	P01135,P00920
RS5180	Shock	—	—	L3	L3	13.71"	21.47"	7.76"	—	None
RS5181	Shock	—	—	XP8	LS39	14.15"	22.29"	8.14"	—	None
RS5185	Shock	—	—	XP7	LS38	15.28"	25.35"	10.07"	—	P00941
RS5186	Shock	—	—	S42	L1	13.43"	21.57"	8.14"	—	P01134
RS5187	Shock	—	—	S4	L3	12.69"	19.81"	7.12"	—	P01134
RS5188	Shock	—	—	S4	LS23	8.68"	12.74"	4.06"	—	P01134
RS5190	Shock	—	—	XP7	LS47	15.98"	26.36"	10.38"	—	None
RS5193	Shock	—	—	XP7	LS47	14.23"	22.99"	8.76"	—	None
RS5194	Shock	—	—	L1	LS25	14.4"	23.28"	8.88"	—	None
RS5195	Shock	—	—	S51	LS47	9.56"	13.81"	4.25"	—	P01167
RS5197	Shock	—	—	S51	LS47	13.78"	22.03"	8.25"	—	P01167
RS5198	Shock	—	—	LS47	LS47	15.83"	25.59"	9.76"	—	None
RS5199	Shock	—	—	S4	XP8	8.98"	13.45"	4.47"	—	P01135
RS5201	Shock	—	—	S4	S4	11.58"	18.57"	6.99"	—	P01135
RS5202	Shock	—	—	L3	L3	14.83"	23.71"	8.88"	—	P00888
RS5203	Shock	—	—	L1	LS50	12.52"	19.25"	6.73"	—	None
RS5205	Shock	—	—	L1	L1	14.02"	22.41"	8.39"	—	None
RS5207	Shock	—	—	S5	S5	14.35"	23.36"	9.01"	—	P01167
RS5208	Shock	—	—	S5	L3	13.96"	22.69"	8.73"	—	P01167
RS5213	Shock	—	—	S4	LS50	11.81"	18.47"	6.66"	—	P01134
RS5214	Shock	—	—	S4	LS23	9.68"	14.3"	4.62"	—	P01134
RS5215	Shock	—	—	LS78	L3	12.83"	19.77"	6.94"	—	None
RS5221	Shock	—	—	S5	LS92	14.53"	23.66"	9.13"	—	P01167
RS5222	Shock	—	—	S4	XP11	9.05"	13.81"	4.76"	—	P01134
RS5223	Shock	—	—	S4	LS24	9.18"	13.04"	3.86"	—	P01134
RS5226	Shock	—	—	L3	L3	13.07"	20.32"	7.25"	—	None
RS5227	Shock	—	—	XP11	LS47	17.5"	29"	11.5"	—	None
RS5229	Shock	—	—	S4	XP5	13.89"	18.26"	4.37"	—	P01135,P00941
RS5233†	Shock	—	—	S4	LS38	10.03"	14.4"	4.37"	—	P01136
RS5234	Shock	—	—	S4	LS26	15.81"	27.11"	11.3"	—	P01136
RS5235	Shock	—	—	S5	XP5	10.4"	15.02"	4.62"	—	P01167
RS5236	Shock	—	—	S4	LS26	14.41"	24.05"	9.64"	—	P01135
RS5237	Shock	—	—	S4	LS39	11.76"	18.02"	6.26"	—	P01136
RS5238	Shock	—	—	S4	LS26	16.56"	28.49"	11.93"	—	P01136
RS5239	Shock	—	—	S4	XP4	14.43"	23.84"	9.41"	—	P01136
RS5240	Shock	—	—	XP12	LS37	12.89"	20.02"	7.13"	—	None
RS5241	Shock	—	—	XP12	LS37	13.66"	21.63"	7.97"	—	None
RS5244	Shock	—	—	LS77	LS39	13.53"	21.75"	8.22"	—	None
RS5246	Shock	—	—	LS26	LS26	14.28"	23.03"	8.75"	—	None
RS5248	Shock	—	—	LS28	LS28	15.52"	24.65"	9.13"	—	None
RS5251	Shock	—	—	S4	LS43	15.81"	27.11"	11.3"	—	P01135
RS5254	Shock	—	—	L1	LS26	18.28"	30.82"	12.54"	—	None
RS5255	Shock	—	—	S4	XP4	15.8"	26.53"	10.73"	—	P01136
RS5256	Shock	—	—	XP12	LS37	15.15"	24.66"	9.51"	—	None
RS5259	Shock	—	—	L1	LS25	14.06"	21.48"	7.42"	—	None
RS5260	Shock	—	—	LS29	LS25	13.52"	21.57"	8.05"	—	None
RS5261	Shock	—	—	L1	LS26	19.13"	32.91"	13.78"	—	None

† Bumper Stop Unit. Dimension Shown at Bumper Contact

‡ Hydraulic Lockout Unit. Dimension Shown is Metal-to-Metal, Subtract Approximately 5/8" (.62) from the Extended Length for Start-of-Engagement.

MOUNTING & LENGTH SPECIFICATIONS

Part No.	Part Type	STRUT BODY		END CODE		LENGTHS			Spring (Rate)	Parts Pack(s)
		Type	Length	Upper	Lower	Comp.	Ext.	Trav.		
RS5262	Shock	—	—	LS47	LS47	15.08"	23.89"	8.81"	—	None
RS5263	Shock	—	—	S4	XP5	9.93"	14.48"	4.55"	—	P01134
RS5264	Shock	—	—	L1	LS26	15.4"	24.38"	8.98"	—	None
RS5265	Shock	—	—	S4	CLEV	10.95"	15.33"	4.38"	—	P01135
RS5267	Shock	—	—	L1	LS38	14.4"	22.87"	8.47"	—	None
RS5268	Shock	—	—	S4	CLEV	13.86"	20.88"	7.02"	—	P01135
RS5269	Shock	—	—	LS47	LS47	16.95"	27.59"	10.64"	—	None
RS5272	Shock	—	—	S5	L1	10.31"	15.05"	4.74"	—	P01167
RS5273	Shock	—	—	L1	LS38	16.77"	28.07"	11.3"	—	None
RS5274	Shock	—	—	LS47	LS47	16.19"	26.44"	10.25"	—	None
RS5279	Shock	—	—	S5	XP10	10.81"	16.44"	5.63"	—	P01167
RS5281	Shock	—	—	S5	XP10	9.62"	14.24"	4.62"	—	P01167
RS5282	Shock	—	—	S5	LS47	11.02"	16.64"	5.62"	—	P01167
RS5283	Shock	—	—	S5	LS47	12.52"	19.83"	7.31"	—	P01167
RS5284	Shock	—	—	LS29	LS28	14.16"	22.31"	8.15"	—	None
RS5285	Shock	—	—	LS39	LS39	15.39"	24.89"	9.5"	—	None
RS5286	Shock	—	—	LS39	LS39	16.54"	27.29"	10.75"	—	None
RS5287	Shock	—	—	LS39	LS39	18.58"	30.56"	11.98"	—	None
RS5288	Shock	—	—	S5	LS42	13.28"	15.39"	2.11"	—	P01167
RS5289	Shock	—	—	S5	LS42	14"	21.36"	5.07"	—	P01167
RS5295	Shock	—	—	S5	LS42	10.44"	15.2"	4.76"	—	P01167
RS5296	Shock	—	—	S51	LS42	13.44"	21.69"	8.25"	—	P01167
RS5297	Shock	—	—	LS47	LS47	18.08"	30.47"	12.39"	—	None
RS5298	Shock	—	—	LS38	LS38	11.02"	16.97"	5.95"	—	None
RS5299	Shock	—	—	XP7	LS47	13.74"	20.98"	7.24"	—	None
RS5300	Shock	—	—	S4	LS21	10.29"	14.54"	4.25"	—	P01135
RS5301	Shock	—	—	XP7	LS47	14.86"	23.15"	8.29"	—	None
RS5304	Shock	—	—	LS47	LS47	16.54"	27.29"	10.75"	—	None
RS5308	Shock	—	—	XP11	LS47	15.35"	23.99"	8.64"	—	None
RS5315	Shock	—	—	LS28	LS28	14.84"	24.05"	9.21"	—	None
RS5317	Shock	—	—	S5	LS92	18.03"	28.94"	10.91"	—	P01356
RS5319	Shock	—	—	S42	LS23	13.94"	22.49"	8.55"	—	P01134
RS5324	Shock	—	—	S5	LS38	14.9"	24.42"	9.52"	—	P01167
RS5325	Shock	—	—	XP11	LS47	15.11"	24.09"	8.98"	—	None
RS5326	Shock	—	—	S51	LS38	14.03"	21.79"	7.76"	—	P01167
RS5327	Shock	—	—	XP12	LS38	14"	21.31"	7.31"	—	None
RS5328	Shock	—	—	XP12	LS38	14.62"	22.67"	8.05"	—	None
RS5329	Shock	—	—	S5	LS38	15.52"	24.99"	9.47"	—	P01167
RS5330	Shock	—	—	XP12	LS38	16.11"	25.77"	9.66"	—	None
RS5331	Shock	—	—	S5	LS38	16.15"	27.22"	11.07"	—	P01167
RS5332	Shock	—	—	XP12	LS38	16.86"	28.25"	11.39"	—	None
RS5358†	Shock	—	—	S6	LS78	11.47"	17.47"	6"	—	P01482
RS5359†	Shock	—	—	S6	LS54	14.23"	22.97"	8.74"	—	P01482
RS5367	Shock	—	—	LS47	LS47	16.46"	25.56"	9.1"	—	None
RS5368	Shock	—	—	S5	XP14	9.56"	13.91"	4.35"	—	P01167
RS5369	Shock	—	—	LS47	LS47	17.21"	28.22"	11.01"	—	None
RS5370	Shock	—	—	S5	LS42	13.12"	16.27"	3.15"	—	P01167
RS5371	Shock	—	—	S4	CLEV	11.2"	16.34"	5.14"	—	P01135
RS5372	Shock	—	—	S4	LS38	10.27"	15.4"	5.13"	—	P01135
RS5373	Shock	—	—	S5	LS92	11.01"	16.78"	5.77"	—	P01167
RS5374	Shock	—	—	S4	XP5	14.14"	19.28"	5.14"	—	P01135,P00941
RS5375	Shock	—	—	S4	LS21	10.27"	15.56"	5.29"	—	P01135
RS5376	Shock	—	—	S5	CLEV	13.55"	16.21"	2.66"	—	P01167
RS5377	Shock	—	—	XP15	CLEV	13.66"	17.95"	4.29"	—	P01299
RS5378	Shock	—	—	XP15	CLEV	14.67"	18.96"	4.29"	—	P01299
RS5379†	Shock	—	—	LS47	LS47	16.12"	25.24"	9.12"	—	None
RS5380	Shock	—	—	XP15	CLEV	16.68"	22.95"	6.27"	—	P01617
RS5381†	Shock	—	—	LS47	LS47	17.99"	29.33"	11.34"	—	None
RS5382	Shock	—	—	XP15	CLEV	18.31"	24.59"	6.28"	—	P01617
RS5383†	Shock	—	—	LS47	LS47	19.37"	31.12"	11.75"	—	None
RS5384†	Shock	—	—	LS38	LS38	18.46"	28.58"	10.12"	—	None

† Bumper Stop Unit. Dimension Shown at Bumper Contact

‡ Hydraulic Lockout Unit. Dimension Shown is Metal-to-Metal, Subtract Approximately 5/8" (.62) from the Extended Length for Start-of-Engagement.

MOUNTING & LENGTH SPECIFICATIONS

Part No.	Part Type	STRUT BODY		END CODE		LENGTHS			Spring (Rate)	Parts Pack(s)
		Type	Length	Upper	Lower	Comp.	Ext.	Trav.		
RS5385	Shock	—	—	LS38	XP7	16.77"	28.2"	11.43"	—	None
RS5386†	Shock	—	—	LS39	LS41	14.58"	23.07"	8.49"	—	None
RS5387†	Shock	—	—	LS39	LS41	14.58"	23.19"	8.61"	—	None
RS5388†	Shock	—	—	LS29	LS23	10.87"	15.76"	4.89"	—	None
RS5389†	Shock	—	—	LS30	LS28	14.9"	23.78"	8.88"	—	None
RS5390†	Shock	—	—	LS52	LS30	14.58"	23.23"	8.65"	—	None
RS5391†	Shock	—	—	LS28	LS52	15.1"	24.21"	9.11"	—	None
RS5392	Shock	—	—	S4	LS23	8.3"	11.87"	3.57"	—	P01135
RS5393	Shock	—	—	L1	L1	13.89"	22.56"	8.67"	—	None
RS5394†	Shock	—	—	LS47	LS44	15.09"	24.19"	9.1"	—	None
RS5395†	Shock	—	—	LS52	LS81	14.46"	22.95"	8.49"	—	None
RS5396†	Shock	—	—	LS44	LS44	11.84"	17.59"	5.75"	—	None
RS5397†	Shock	—	—	S5	LS68	14.09"	22.09"	8"	—	P01167
RS5398†	Shock	—	—	LS29	LS38	15.22"	24.46"	9.24"	—	None
RS5399	Shock	—	—	S2	CLEV	16.13"	20.99"	4.86"	—	P00762
RS5401	Steering Damper	—	—	L1	L1	12.27"	19.45"	7.18"	—	P00920,P00837,P00829
RS5402	Steering Damper	—	—	S4	S4	12.23"	20.25"	8.02"	—	P01134
RS5403	Steering Damper	—	—	S4	S4	13.22"	22.25"	9.03"	—	P01134
RS5404	Steering Damper	—	—	L1	L1	14.52"	23.96"	9.44"	—	P01619,P00932,P00837
RS5405	Steering Damper	—	—	S4	L1	12.82"	21.74"	8.92"	—	P01134,P00932
RS5406	Steering Damper	—	—	L1	L1	17.77"	30.37"	12.6"	—	None
RS5407	Steering Damper	—	—	L1	LS37	11.91"	19.47"	7.56"	—	P00837,P00953
RS5409	Steering Damper	—	—	LS5	LS24	12.78"	20.71"	7.93"	—	P01326
RS5410	Steering Damper	—	—	L1	LS38	14.42"	24.34"	9.92"	—	P01730,P00847
RS5411	Steering Damper	—	—	L1	LS35	12.53"	20.64"	8.11"	—	P01368
RS5412	Steering Damper	—	—	L1	LS24	14.15"	23.36"	9.21"	—	P01368
RS5413	Steering Damper	—	—	S4	L1	15.7"	27.48"	11.78"	—	P01135,P01385
RS5415	Steering Damper	—	—	LS26	L1	16.16"	27.94"	11.78"	—	P01385
RS5416	Steering Damper	—	—	LS37	LS24	14.15"	23.36"	9.21"	—	None
RS5417	Steering Damper	—	—	L1	LS35	13.66"	22.96"	9.3"	—	P01368
RS5418	Steering Damper	—	—	LS24	LS24	13.15"	20.7"	7.55"	—	None
RS5419	Steering Damper	—	—	L1	LS38	14.56"	24.29"	9.73"	—	P01730, P00847
RS5420	Steering Damper	—	—	LS24	LS38	13.24"	20.95"	7.71"	—	None
RS5421	Steering Damper	—	—	LS26	L1	16.43"	28.15"	11.72"	—	P01385
RS5601	Shock	—	—	L1	L1	12.39"	19.83"	7.44"	—	None
RS5602	Shock	—	—	S4	XP1	8.92"	13.42"	4.5"	—	P01134
RS5605	Shock	—	—	S4	LS23	8.92"	13.89"	4.97"	—	P01134
RS5606	Shock	—	—	S4	LS38	9.7"	15"	5.3"	—	P01135
RS5609	Shock	—	—	S4	XP5	9.14"	14.37"	5.23"	—	P01134
RS5610	Shock	—	—	S4	LS21	11.45"	18.4"	6.95"	—	P01134
RS5753	Strut	SS3	16.61"	—	—	17.59"	20.42"	2.83"	—	P01611
RS5754	Strut	SS3	12.48"	—	—	13.52"	19.39"	5.87"	—	P01611
RS5757	Strut	SS7	13.36"	—	—	13.56"	18.08"	4.52"	—	None
RS5758	Strut	SS2	17.26"	—	—	17.76"	23.52"	5.76"	—	P01613
RS5762	Strut	SS3	12.64"	—	—	13.62"	18.19"	4.57"	—	P01612
RS5763	Strut	SS3	12.53"	—	—	13.5"	16.18"	2.68"	—	P01612
RS5764	Strut	B4	9.72"	—	—	9.7"	13.82"	4.12"	—	None
RS5766	Strut	SS3	12.64"	—	—	13.62"	17.93"	4.31"	—	P01612
RS5767	Strut	SS2	16.83"	—	—	17.33"	21.63"	4.3"	—	P01499
RS5769	Strut	SS2	20.9"	—	—	21.4"	26.18"	4.78"	—	P01499
RS5770	Strut	SS3	10.06"	—	—	11.04"	15.81"	4.77"	—	P01612
RS5773	Strut	SS3	14.08"	—	—	14.96"	18.79"	3.83"	—	P01614
RS5774	Strut	SS2	14.46"	—	—	15.7"	20.64"	4.94"	—	P01499
RS5775	Strut	SS2	15.45"	—	—	12.52"	16.44"	3.92"	—	P00762
RS5776	Strut	SS2	15.45"	—	—	12.52"	16.44"	3.92"	—	P00762
RS5777	Strut	SS2	15.91"	—	—	16.89"	21.83"	4.94"	—	P01613
RS5784	Strut	SS7	12.49"	—	—	13.94"	17.71"	3.77"	—	P01426,P01415
RS5786	Strut	SS7	15.02"	—	—	18.86"	22.6"	3.74"	—	P01426,P01415
RS5788	Strut	SS4	14.93"	—	—	15.43"	21.19"	5.76"	—	P01747
RS5789	Strut	SS4	18.22"	—	—	18.72"	24.5"	5.78"	—	P01747
RS5803	Strut	SS1	15.88"	—	—	16.38"	20.87"	4.49"	—	P01499

† Bumper Stop Unit. Dimension Shown at Bumper Contact

‡ Hydraulic Lockout Unit. Dimension Shown is Metal-to-Metal, Subtract Approximately 5/8" (.62) from the Extended Length for Start-of-Engagement.

MOUNTING & LENGTH SPECIFICATIONS

Part No.	Part Type	STRUT BODY		END CODE		LENGTHS			Spring (Rate)	Parts Pack(s)
		Type	Length	Upper	Lower	Comp.	Ext.	Trav.		
RS5804	Strut	SS2	15.92"	—	—	17.17"	21.64"	4.47"	—	P01770
RS5806	Strut	SS2	13.03"	—	—	21.49"	26.15"	4.66"	—	P01499
RS5808	Strut	SS4	14.93"	—	—	15.43"	21.19"	5.76"	—	P01747
RS5810	Strut	SS4	11.78"	—	—	18.72"	24.5"	5.78"	—	P01747
RS5811†	Strut	B11	15.84"	—	—	16.48"	23.35"	6.87"	—	P00762
RS5812‡	Strut	B11	15.84"	—	—	16.48"	23.35"	6.87"	—	P00762
RS5813†	Strut	B11	15.1"	—	—	15.73"	22.6"	6.87"	—	P00762
RS5814†	Strut	B10	15.1"	—	—	15.73"	22.6"	6.87"	—	P00762
RS5815†	Strut	B10	15.1"	—	—	15.73"	22.6"	6.87"	—	P00762
RS5816†	Strut	B10	15.1"	—	—	15.73"	22.6"	6.87"	—	P00762
RS5817†	Strut	B8	10.57"	—	—	11.07"	16.08"	5.01"	—	None
RS5818	Strut	SS2	15.64"	—	—	16.14"	19.63"	3.49"	—	P01499
RS5819†	Strut	SS2	13.72"	—	—	14.36"	21.2"	6.85"	—	P01499
RS5820	Strut	SS2	17.84"	—	—	16.66"	19.18"	2.5"	—	P01611
RS5821	Strut	SS3	17.24"	—	—	16.54"	19.06"	2.52"	—	P01611
RS5822†	Strut	SS3	13.02"	—	—	13.52"	19.39"	5.87"	—	P01611
RS5825†	Strut	SS2	10.7"	—	—	11.4"	15.71"	4.31"	—	P00906
RS5826†	Strut	B4	13.57"	—	—	14.07"	20.25"	6.18"	—	None
RS5827†	Strut	SS3	9.91"	—	—	10.79"	14.62"	3.83"	—	P01614
RS5828†	Strut	SS2	16.39"	—	—	16.89"	21.83"	4.94"	—	P01167
RS5829	Strut	SS4	13.36"	—	—	13.56"	18.08"	4.52"	—	P01632,P01650
RS7008	Shock	—	—	L1	L1	14"	21.47"	7.47"	—	P00915,P01057
RS7023	Shock	—	—	LS40	LS40	14.91"	22.52"	7.61"	—	None
RS7034	Shock	—	—	L1	L1	20.82"	33.63"	12.82"	—	P00915,P01013
RS7040	Shock	—	—	S4	LS23	13.88"	21.93"	8.06"	—	P01134
RS7042	Shock	—	—	S5	LS92	13.78"	20.65"	6.87"	—	P01167
RS7043	Shock	—	—	S5	LS92	15.13"	22.97"	7.84"	—	P01167
RS7044	Shock	—	—	S51	LS92	15.71"	24.33"	8.61"	—	P01167
RS7046	Shock	—	—	L1	LS26	16.68"	26.59"	9.91"	—	None
RS7048	Shock	—	—	S51	LS92	16.32"	25.83"	9.51"	—	P01167
RS7050	Shock	—	—	L1	LS26	16.84"	27.1"	10.26"	—	None
RS7055	Shock	—	—	S5	LS42	15.47"	23.47"	8"	—	P01167
RS7056	Shock	—	—	LS47	LS47	19.57"	31.78"	12.21"	—	None
RS7061	Shock	—	—	S42	XP5	17.41"	28.2"	10.79"	—	P01134
RS7062	Shock	—	—	XP12	LS37	15.77"	24.93"	9.18"	—	None
RS7065	Shock	—	—	LS97	LS38	17.56"	24.63"	7.07"	—	None
RS7066	Shock	—	—	LS97	LS38	19.5"	28.01"	8.51"	—	None
RS7067	Shock	—	—	LS97	LS27	18.51"	26.56"	8.05"	—	None
RS7068	Shock	—	—	LS97	LS39	19.93"	29.16"	9.23"	—	None
RS7112	Shock	—	—	L1	L1	16.25"	25.88"	9.63"	—	P00913,P00915
RS7113	Shock	—	—	L1	L1	13.42"	20.73"	7.31"	—	P00916
RS7118	Shock	—	—	L1	L1	14.26"	22.31"	8.01"	—	P00912,P00915,P01013
RS7119	Shock	—	—	L1	L1	12.14"	18.27"	6.13"	—	P00916
RS7128	Shock	—	—	S42	XP5	13.51"	21.21"	7.7"	—	P01136,P00941
RS7129	Shock	—	—	XP12	L1	13.62"	21.12"	7.5"	—	None
RS7150	Shock	—	—	LS33	LS40	11.35"	16.6"	5.24"	—	None
RS7152	Shock	—	—	LS33	LS40	12.14"	18.11"	5.97"	—	None
RS7168	Shock	—	—	S42	LS38	15.78"	25.41"	9.63"	—	P01135
RS7190	Shock	—	—	XP7	LS92	16.05"	25.62"	9.57"	—	None
RS7198	Shock	—	—	LS92	LS92	16.43"	25.35"	8.93"	—	None
RS7239	Shock	—	—	S42	XP5	15.04"	23.97"	8.93"	—	P01136
RS7240	Shock	—	—	XP12	LS37	12.39"	18.91"	6.52"	—	None
RS7241	Shock	—	—	XP12	LS37	14.21"	22.3"	8.09"	—	None
RS7254	Shock	—	—	L1	LS26	18.32"	29.76"	11.44"	—	None
RS7255	Shock	—	—	S4	XP5	15.78"	25.41"	9.63"	—	P01136
RS7256	Shock	—	—	XP12	LS37	15.58"	24.86"	9.28"	—	None
RS7261	Shock	—	—	L1	LS26	19.55"	32.4"	12.85"	—	None
RS7262	Shock	—	—	LS47	LS47	15.33"	23.92"	8.59"	—	None
RS7264	Shock	—	—	L1	LS26	15.5"	24.54"	9.04"	—	None
RS7267	Shock	—	—	L1	LS26	14.65"	23.13"	8.49"	—	None
RS7268	Shock	—	—	S42	CLEV	13.75"	20.85"	7.11"	—	P01135

† Bumper Stop Unit. Dimension Shown at Bumper Contact

‡ Hydraulic Lockout Unit. Dimension Shown is Metal-to-Metal, Subtract Approximately 5/8" (.62) from the Extended Length for Start-of-Engagement.

MOUNTING & LENGTH SPECIFICATIONS

Part No.	Part Type	STRUT BODY		END CODE		LENGTHS			Spring (Rate)	Parts Pack(s)
		Type	Length	Upper	Lower	Comp.	Ext.	Trav.		
RS7269	Shock	—	—	LS47	LS47	17.41"	27.37"	9.97"	—	None
RS7272	Shock	—	—	S5	L1	10.42"	15.3"	4.88"	—	P01167
RS7274	Shock	—	—	LS47	LS47	16.43"	26.05"	9.63"	—	None
RS7286	Shock	—	—	LS38	LS38	16.74"	26.72"	9.98"	—	None
RS7287	Shock	—	—	LS38	LS38	18.89"	30.52"	11.63"	—	None
RS7295	Shock	—	—	S5	LS42	10.6"	15.63"	5.02"	—	P01167
RS7296	Shock	—	—	S51	LS42	13.43"	21.13"	7.7"	—	P01167
RS7297	Shock	—	—	LS47	LS47	18.33"	29.71"	11.39"	—	None
RS7305	Shock	—	—	LS68	S5	14.57"	22.49"	7.92"	—	P01167
RS7316	Shock	—	—	LS38	LS38	18.34"	29.56"	11.23"	—	None
RS7317	Shock	—	—	S51	LS92	17.6"	28.71"	11.11"	—	P01167
RS7319	Shock	—	—	S4	LS23	14.36"	22.56"	8.2"	—	P01134
RS7324	Shock	—	—	S5	LS27	15.57"	24.75"	9.18"	—	P01167
RS7326	Shock	—	—	S51	LS38	14.73"	23.58"	8.85"	—	P01167
RS7328	Shock	—	—	XP12	LS38	15.16"	24.01"	8.85"	—	None
RS7329	Shock	—	—	S5	LS27	15.82"	25"	9.18"	—	P01167
RS7330	Shock	—	—	XP12	LS38	16.95"	27.17"	10.22"	—	None
RS7331	Shock	—	—	S51	LS38	16.5"	26.76"	10.26"	—	P01167
RS7367	Shock	—	—	LS92	LS92	16.42"	25.66"	9.24"	—	None
RS7369	Shock	—	—	LS92	LS92	17.64"	28.28"	10.64"	—	None
RS7370	Shock	—	—	S51	LS42	11.15"	16.6"	5.44"	—	P01167
RS7371	Shock	—	—	S4	CLEV	11.56"	16.48"	4.92"	—	P01135
RS7377†	Shock	—	—	XP15	CLEV	13.64"	17.96"	4.32"	—	P01617
RS7379	Shock	—	—	LS92	LS92	16.31"	25.88"	0.38"	—	None
RS7380†	Shock	—	—	XP15	CLEV	16.64"	23"	6.36"	—	P01617
RS7381	Shock	—	—	LS92	LS92	18.12"	29.34"	11.22"	—	None
RS7384	Shock	—	—	LS38	LS38	18.11"	28.86"	10.76"	—	None
RS7388	Shock	—	—	L1	L1	18.35"	29.64"	11.29"	—	None
RS7391	Shock	—	—	S5	L1	12.33"	19.01"	6.68"	—	P01167
RS7401	Steering Damper	—	—	L1	L1	12.2"	19.3"	7.1"	—	P00920,P00837,P00829
RS7402	Steering Damper	—	—	S4	S2	12.21"	20.2"	7.98"	—	P01134
RS7405	Steering Damper	—	—	S4	L1	13"	21.5"	8.5"	—	P00932,P01134
RS7407	Steering Damper	—	—	L1	LS37	12.2"	19.3"	7.1"	—	P00837,P00953
RS7410	Steering Damper	—	—	L1	LS38	14.73"	24.17"	9.44"	—	P00847,P01730
RS7411	Steering Damper	—	—	L1	LS35	12.71"	20.54"	7.83"	—	P01368
RS7412	Steering Damper	—	—	L1	LS24	14.33"	23.32"	8.99"	—	P01368
RS7415	Steering Damper	—	—	LS21	L1	17.26"	28.18"	10.92"	—	P01385
RS7416	Steering Damper	—	—	LS37	LS24	14.33"	23.32"	8.99"	—	None
RS7418	Steering Damper	—	—	LS37	LS24	13.17"	20.63"	7.47"	—	None
RS7759	Strut	SS2	17.16"	—	—	17.76"	23.62"	5.87"	—	P01696,P01613
RS7760	Strut	SS2	16.27"	—	—	16.89"	22.08"	5.19"	—	P01613,P01696
RS7767	Strut	SS2	15.99"	—	—	16.34"	21.93"	5.59"	—	P01683
RS7777	Strut	SS2	16.27"	—	—	16.89"	20.08"	5.19"	—	P01613,P01696
RS7784	Strut	SS7	12.54"	—	—	14.25"	17.79"	3.54"	—	P01658,P01415
RS7785	Strut	SS7	12.74"	—	—	14.44"	17.98"	3.54"	—	P01658,P01415
RS7786	Strut	SS7	17.32"	—	—	19.03"	22.56"	3.54"	—	P01658,P01415
RS7792	Strut	SS2	15.99"	—	—	16.34"	21.93"	5.59"	—	P01683
RS7804	Strut	SS2	16.61"	—	—	16.93"	21.85"	4.92"	—	P01659
RS7805	Strut	SS2	16.61"	—	—	16.93"	21.85"	4.92"	—	P01659
RS7806	Strut	SS2	20.95"	—	—	21.27"	26.19"	4.92"	—	P01659
RS7808	Strut	SS4	15.03"	—	—	15.35"	21.2"	5.85"	—	P01728
RS7810	Strut	SS4	18.27"	—	—	18.59"	24.45"	5.86"	—	P01728
RS7830	Strut	SS7	12.72"	—	—	13.63"	16.85"	3.23"	—	P01706,P01415
RS7831	Strut	SS7	13.37"	—	—	14.28"	17.5"	3.23"	—	P01706,P01415
RS7832	Strut	SS2	19.6"	—	—	20.51"	23.74"	3.23"	—	P01706,P01415
RS7833	Strut	SS2	20.95"	—	—	21.27"	26.19"	4.92"	—	P01659
RS7837	Strut	SS7	16.79"	—	—	17.11"	22.03"	4.92"	—	P01659, P01726
RS7838	Strut	SS7	20.94"	—	—	21.27"	26.19"	4.92"	—	P01659,P01726
RS7841	Strut	SS2	13.78"	—	—	15.08"	19.51"	4.43"	—	P01749
RS55001†	Shock	—	—	LS24	LS24	13.39"	21.08"	7.69"	—	P00816
RS55005	Shock	—	—	LS39	L2	17.24"	29.01"	11.77"	—	None

† Bumper Stop Unit. Dimension Shown at Bumper Contact

‡ Hydraulic Lockout Unit. Dimension Shown is Metal-to-Metal, Subtract Approximately 5/8" (.62) from the Extended Length for Start-of-Engagement.

MOUNTING & LENGTH SPECIFICATIONS

Part No.	Part Type	STRUT BODY		END CODE		LENGTHS			Spring (Rate)	Parts Pack(s)
		Type	Length	Upper	Lower	Comp.	Ext.	Trav.		
RS55009	Shock	—	—	S4	LS38	15.75"	26.32"	10.57"	—	P01134
RS55010	Shock	—	—	LS21	LS21	16.01"	26.89"	10.88"	—	P00915, P01057, P00920
RS55012	Shock	—	—	L1	L1	19.01"	32.54"	13.53"	—	P00915, P00934
RS55023†	Shock	—	—	LS47	LS47	14.97"	22.56"	7.59"	—	None
RS55029†	Shock	—	—	S4	LS26	9.75"	14.32"	4.57"	—	P01135
RS55034	Shock	—	—	L1	L1	20.01"	34.04"	14.03"	—	P00915, P01013
RS55036	Shock	—	—	L1	L1	21.01"	36.04"	15.03"	—	P00915, P01013
RS55036A†	Shock	—	—	L1	LS78	21.06"	36.09"	15.03"	—	None
RS55039	Shock	—	—	S42	L1	9.67"	14.32"	4.65"	—	P01134, P01013
RS55040	Shock	—	—	S15	LS35	13.75"	22.84"	9.09"	—	P01134
RS55041	Shock	—	—	S4	LS23	13.25"	21.41"	8.16"	—	P01134
RS55042†	Shock	—	—	S5	LS92	13.85"	20.79"	6.94"	—	P01167
RS55043†	Shock	—	—	S5	LS92	14.97"	23.37"	8.4"	—	P01167
RS55044†	Shock	—	—	S5	LS92	15.72"	24.86"	9.14"	—	P01167
RS55045†	Shock	—	—	L1	LS26	19.76"	33.79"	14.03"	—	None
RS55046†	Shock	—	—	L1	LS26	16.39"	27.17"	10.78"	—	none
RS55047†	Shock	—	—	L1	LS26	18.51"	31.46"	12.95"	—	None
RS55047A†	Shock	—	—	L1	LS78	18.58"	31.24"	12.66"	—	None
RS55048	Shock	—	—	S5	LS92	16.6"	26.73"	10.13"	—	P01167
RS55056†	Shock	—	—	LS92	LS92	18.69"	31.97"	13.28"	—	None
RS55063	Shock	—	—	LS97	LS38	15.96"	21.96"	6"	—	None
RS55064	Shock	—	—	LS97	LS38	17.24"	24.41"	7.17"	—	None
RS55065	Shock	—	—	LS97	LS38	17.52"	25.21"	7.69"	—	None
RS55066	Shock	—	—	LS97	LS38	19.41"	28.59"	9.19"	—	None
RS55067	Shock	—	—	LS97	LS38	18.49"	27.14"	8.65"	—	None
RS55068	Shock	—	—	LS97	LS38	19.96"	29.74"	9.78"	—	None
RS55112	Shock	—	—	L1	L1	16.01"	26.42"	10.41"	—	P00913, P00915
RS55113	Shock	—	—	L1	L1	12.89"	20.29"	7.4"	—	P00916
RS55115	Shock	—	—	S4	L1	12.87"	20.66"	7.79"	—	P00916
RS55116†	Shock	—	—	L1	L1	14.86"	24.05"	9.19"	—	P00916
RS55117	Shock	—	—	S4	L1	11.87"	18.7"	6.83"	—	P01134, P00910
RS55118	Shock	—	—	L1	L1	14.01"	22.29"	8.28"	—	P00912, P00915, P01013
RS55119	Shock	—	—	L1	L1	11.64"	18.04"	6.4"	—	P00916, P00925
RS55120	Shock	—	—	L1	LS36	9.86"	14.14"	4.28"	—	P00915, P00916
RS55123†	Shock	—	—	LS39	LS39	11.89"	18.08"	6.19"	—	None
RS55124	Shock	—	—	XP4	LS40	14.07"	24.21"	10.14"	—	None
RS55125	Shock	—	—	L1	LS26	14.11"	22.26"	8.15"	—	None
RS55126†	Shock	—	—	L1	LS26	16.01"	26.42"	10.41"	—	None
RS55128†	Shock	—	—	S4	XP5	13.05"	21.03"	7.98"	—	P01136
RS55129	Shock	—	—	XP12	L1	12.76"	20.04"	7.28"	—	None
RS55136†	Shock	—	—	S4	L1	11.25"	17.44"	6.19"	—	P01134, P00910
RS55144	Shock	—	—	L3	L3	14.19"	22.34"	8.15"	—	None
RS55145†	Shock	—	—	S4	LS50	9.25"	13.45"	4.2"	—	P01134
RS55147	Shock	—	—	LS40	LS40	14.56"	23.82"	9.26"	—	None
RS55149†	Shock	—	—	LS27	LS27	16.81"	27.84"	11.03"	—	None
RS55150†	Shock	—	—	LS77	LS40	11.51"	16.79"	5.28"	—	None
RS55151	Shock	—	—	LS37	LS37	12.26"	19.48"	7.22"	—	P00816
RS55152†	Shock	—	—	LS77	LS40	12.01"	17.96"	5.95"	—	None
RS55165†	Shock	—	—	LS26	LS26	14.01"	22.42"	8.41"	—	None
RS55166	Shock	—	—	S4	XP5	9.45"	13.83"	4.38"	—	P01134
RS55168	Shock	—	—	S4	LS38	15.13"	25.28"	10.15"	—	P01135
RS55179	Shock	—	—	S4	L1	13.76"	22.28"	8.52"	—	P01135, P00920
RS55180	Shock	—	—	L3	L3	13.69"	21.47"	7.78"	—	None
RS55185†	Shock	—	—	XP7	LS26	15.51"	25.42"	9.91"	—	P0941
RS55187	Shock	—	—	S4	L3	12.34"	19.81"	7.47"	—	P01134
RS55188†	Shock	—	—	S4	LS23	8.87"	12.7"	3.83"	—	P01134
RS55190†	Shock	—	—	XP7	LS92	16.08"	26.36"	10.28"	—	None
RS55194	Shock	—	—	L1	LS25	14.41"	22.31"	7.9"	—	None
RS55195	Shock	—	—	S51	LS47	9.57"	13.82"	4.25"	—	P01167
RS55197	Shock	—	—	S51	LS47	13.66"	22.06"	8.4"	—	P01167

† Bumper Stop Unit. Dimension Shown at Bumper Contact

‡ Hydraulic Lockout Unit. Dimension Shown is Metal-to-Metal, Subtract Approximately 5/8" (.62) from the Extended Length for Start-of-Engagement.

MOUNTING & LENGTH SPECIFICATIONS

Part No.	Part Type	STRUT BODY		END CODE		LENGTHS			Spring (Rate)	Parts Pack(s)
		Type	Length	Upper	Lower	Comp.	Ext.	Trav.		
RS55198	Shock	—	—	LS47	LS47	15.69"	25.59"	9.9"	—	None
RS55221†	Shock	—	—	S5	LS92	14.59"	23.63"	9.04"	—	P01167
RS55222	Shock	—	—	S42	XP11	9.42"	13.7"	4.28"	—	P01134
RS55226	Shock	—	—	L3	L3	13.19"	20.34"	7.15"	—	None
RS55227	Shock	—	—	XP5	LS92	17.33"	29.56"	12.24"	—	—
RS55229	Shock	—	—	S4	XP5	13.72"	18.25"	4.53"	—	P01135,P00941
RS55233†	Shock	—	—	S4	LS27	9.84"	14.37"	4.53"	—	P01136
RS55234†	Shock	—	—	S4	LS26	16.13"	27.03"	10.9"	—	P01136
RS55235	Shock	—	—	S5	XP5	10.24"	15"	4.76"	—	P01167
RS55236†	Shock	—	—	S4	LS26	14.5"	24.03"	9.53"	—	P01135
RS55237†	Shock	—	—	S4	LS39	11.59"	18"	6.41"	—	P01136
RS55238	Shock	—	—	S42	LS38	16.88"	29.09"	12.21"	—	P01136
RS55239	Shock	—	—	S4	XP4	14.43"	23.84"	9.41"	—	P01136
RS55240	Shock	—	—	XP12	LS37	12.76"	20.04"	7.28"	—	None
RS55241	Shock	—	—	XP12	LS37	13.51"	21.67"	8.16"	—	None
RS55244	Shock	—	—	LS77	LS89	13.76"	22.39"	8.63"	—	—
RS55245†	Shock	—	—	XP12	L1	15.01"	24.67"	9.66"	—	None
RS55248	Shock	—	—	LS28	LS28	15.36"	25.24"	9.88"	—	—
RS55254†	Shock	—	—	L1	LS26	18.26"	30.83"	12.57"	—	None
RS55255	Shock	—	—	S4	XP4	15.8"	26.53"	10.73"	—	P01136
RS55256	Shock	—	—	XP12	LS37	15.01"	24.67"	9.66"	—	None
RS55260†	Shock	—	—	LS29	LS25	13.64"	21.54"	7.9"	—	None
RS55261	Shock	—	—	L1	LS26	19.01"	32.98"	13.97"	—	None
RS55262	Shock	—	—	LS47	LS47	15.08"	23.89"	8.81"	—	None
RS55263†	Shock	—	—	S4	XP5	10"	14.45"	4.45"	—	P01134
RS55264†	Shock	—	—	L1	LS26	15.26"	24.42"	9.16"	—	None
RS55265†	Shock	—	—	S4	CLEV	11.02"	15.31"	4.29"	—	P01135
RS55267†	Shock	—	—	L1	LS26	14.26"	22.92"	8.66"	—	None
RS55268	Shock	—	—	S4	CLEV	13.78"	20.81"	7.03"	—	P01135
RS55269	Shock	—	—	LS47	LS47	16.81"	27.59"	10.78"	—	None
RS55272	Shock	—	—	S5	L1	10.13"	15.04"	4.91"	—	P01167
RS55273†	Shock	—	—	L1	LS26	16.89"	28.08"	11.19"	—	None
RS55274	Shock	—	—	LS47	LS47	16.19"	26.44"	10.25"	—	None
RS55279	Shock	—	—	S5	XP10	10.66"	16.44"	5.78"	—	P01167
RS55281†	Shock	—	—	S5	XP12	9.76"	14.2"	4.44"	—	P01167
RS55282†	Shock	—	—	S5	LS92	10.97"	16.63"	5.66"	—	P01167
RS55283†	Shock	—	—	S5	LS47	12.63"	19.79"	7.16"	—	P01167
RS55284	Shock	—	—	LS91	LS28	13.99"	22.58"	8.59"	—	—
RS55286†	Shock	—	—	LS26	LS26	16.43"	27.22"	10.79"	—	None
RS55287†	Shock	—	—	LS26	LS26	18.43"	30.59"	12.16"	—	None
RS55288	Shock	—	—	S5	LS42	13.04"	15.39"	2.35"	—	P01167
RS55289	Shock	—	—	S5	LS42	13.88"	21.41"	7.53"	—	P01167
RS55296	Shock	—	—	S5	LS42	13.5"	21.66"	8.16"	—	P01167
RS55297	Shock	—	—	LS47	LS47	18.08"	30.47"	12.39"	—	None
RS55300	Shock	—	—	S4	LB1	10.17"	15.12"	4.95"	—	P01135
RS55301	Shock	—	—	LS47	XP7	14.73"	23.13"	8.4"	—	None
RS55315	Shock	—	—	LS28	LS28	14.93"	24.13"	9.2"	—	None
RS55316†	Shock	—	—	LS38	LS38	17.56"	29.38"	11.82"	—	None
RS55317†	Shock	—	—	S5	LS92	17.85"	28.94"	11.09"	—	P01356
RS55319	Shock	—	—	S4	LS35	13.76"	22.72"	8.96"	—	P01134
RS55324	Shock	—	—	S5	LS38	14.73"	24.38"	9.65"	—	P01167
RS55325	Shock	—	—	XP7	LS92	14.96"	24.11"	9.15"	—	None
RS55326	Shock	—	—	S51	LS38	13.85"	21.75"	7.9"	—	P01167
RS55328	Shock	—	—	XP12	LS38	14.46"	22.61"	8.15"	—	None
RS55329	Shock	—	—	S5	LS38	15.35"	25.01"	9.66"	—	P01167
RS55330	Shock	—	—	XP12	LS38	15.96"	25.75"	9.79"	—	None
RS55331	Shock	—	—	S5	LS38	15.97"	27.26"	11.29"	—	P01167
RS55332	Shock	—	—	XP12	LS38	16.96"	28.25"	11.29"	—	None
RS55369†	Shock	—	—	LS47	LS47	17.31"	28.17"	10.86"	—	None
RS55370†	Shock	—	—	S5	LS42	10.75"	16.27"	5.52"	—	P01167
RS55371	Shock	—	—	S4	CLEV	11.28"	16.31"	5.03"	—	P01135

† Bumper Stop Unit. Dimension Shown at Bumper Contact

‡ Hydraulic Lockout Unit. Dimension Shown is Metal-to-Metal, Subtract Approximately 5/8" (.62) from the Extended Length for Start-of-Engagement.

MOUNTING & LENGTH SPECIFICATIONS

Part No.	Part Type	STRUT BODY		END CODE		LENGTHS			Spring (Rate)	Parts Pack(s)
		Type	Length	Upper	Lower	Comp.	Ext.	Trav.		
RS55372	Shock	—	—	S4	LS38	10.25"	15.41"	5.16"	—	P01135
RS55373†	Shock	—	—	S5	LS92	11.35"	17.42"	6.07"	—	P01167
RS55374†	Shock	—	—	S4	XP5	13.97"	19.25"	5.28"	—	P01135, P00941
RS55375	Shock	—	—	S42	LS38	10.28"	16.12"	5.84"	—	P01135
RS55377	Shock	—	—	XP15	CLEV	13.67"	17.97"	4.3"	—	P01299
RS55378	Shock	—	—	XP15	CLEV	14.67"	18.98"	4.31"	—	P01299
RS55379†	Shock	—	—	LS47	LS47	16"	25.28"	9.28"	—	None
RS55380	Shock	—	—	XP15	CLEV	16.69"	22.97"	6.28"	—	P01299
RS55381	Shock	—	—	LS47	LS47	17.87"	29.63"	11.76"	—	None
RS55382	Shock	—	—	SP	CLEV	18.3"	24.58"	6.28"	—	P01299
RS55383	Shock	—	—	LS47	LS47	19.25"	31.16"	11.91"	—	None
RS55384	Shock	—	—	LS27	LS27	18.3"	29.15"	10.85"	—	—
RS55385	Shock	—	—	XP7	LS38	16.77"	28.17"	11.4"	—	None
RS55394	Shock	—	—	LS47	LS44	15.06"	24.25"	9.19"	—	None
RS55395	Shock	—	—	LS52	LS81	14.43"	22.96"	8.53"	—	None
RS55398	Shock	—	—	LS29	LS38	15.17"	24.44"	9.27"	—	None
RS55399	Shock	—	—	S2	CLEV	16.05"	23.36"	7.31"	—	P00762
RS55605	Shock	—	—	S4	LS23	9"	13.84"	4.84"	—	P01134
RS55609	Shock	—	—	S5	XP1	9.72"	14.94"	5.22"	—	P01134
RS55610	Shock	—	—	S4	LS21	11.6"	18.34"	6.74"	—	P01134
RS55762	Strut	SS3	—	—	—	13.62"	18.19"	4.57"	—	P01612
RS55763	Strut	SS2	13.02"	—	—	13.5"	20.11"	6.61"	—	P01612
RS55766	Strut	SS2	13.12"	—	LS56	13.62"	18.49"	4.87"	—	P01612
RS55767	Strut	SS2	16.88"	—	—	17.3"	21.63"	4.33"	—	P01760
RS55769	Strut	SS2	—	—	—	21.37"	26.19"	4.82"	—	P01771
RS55770	Strut	SS3	10.73"	—	—	11.19"	15.96"	4.77"	—	P01612
RS55777	Strut	SS2	21.93"	—	—	16.62"	22.43"	5.81"	—	P01613
RS55784†	Strut	SS7	11.29"	XP16	—	13.91"	17.72"	3.81"	—	P01426, P01415
RS55785†	Strut	SS7	11.48"	—	—	14.17"	17.99"	3.82"	—	P01426, P01415
RS55786†	Strut	SS7	16.32"	XP16	—	18.84"	22.51"	3.67"	—	P01426, P01415
RS55788	Strut	SS5	14.84"	—	—	15.43"	21.19"	5.76"	—	P01768
RS55789	Strut	SS4	18.19"	—	—	18.69"	24.5"	5.81"	—	P01747
RS55803	Strut	SS2	15.88"	—	—	16.47"	20.89"	4.42"	—	P01499
RS55804†	Strut	SS2	16.47"	—	—	17.17"	21.64"	4.47"	—	P01770
RS55806	Strut	SS2	21.12"	—	—	21.62"	26.09"	4.62"	—	P01499
RS55808	Strut	SS4	15.15"	—	—	15.43"	21.19"	5.76"	—	P01768
RS55810	Strut	SS4	11.49"	—	—	18.69"	24.5"	5.81"	—	P01747
RS55826	Strut	B3	13.42"	—	—	13.92"	20.25"	6.33"	—	None
RS55827	Strut	SS3	—	—	—	10.8"	14.63"	3.83"	—	P01614
RS55830†	Strut	SS7	13.07"	XP16	—	13.57"	16.84"	3.27"	—	P01707, P01415
RS55831†	Strut	SS7	13.17"	—	—	13.98"	17.48"	3.5"	—	P01707, P01415
RS55832†	Strut	SS7	19.81"	—	—	20.31"	23.76"	3.45"	—	P01707, P01415
RS55833†	Strut	SS2	20.97"	—	—	21.62"	26.09"	4.62"	—	P01499
RS55834†	Strut	SS7	13.57"	XP15	—	16.47"	20.89"	4.42"	—	P01726, P01499
RS55836†	Strut	SS7	16.68"	XP15	—	17.18"	21.63"	4.43"	—	P01726, P01499
RS55838	Strut	SS7	20.67"	—	—	21.62"	26.09"	4.62"	—	P01726, P01499
RS55839	Strut	SS7	21.94"	—	—	22.44"	26.89"	4.45"	—	P01726, P01499
RS55840†	Strut	SS2	12.42"	—	—	14.56"	19.27"	4.81"	—	P01431
RS55842	Strut	SPEC	19.72"	—	—	26.42"	30.69"	4.28"	—	P00839
RS999001	Shock	—	—	L1	L1	13.68"	20.83"	7.15"	—	P00976, P00816
RS999005	Shock	—	—	L1	L1	17.6"	28.67"	11.07"	—	P00934
RS999006	Shock	—	—	L1	L1	11.87"	17.33"	5.46"	—	P00915, P01057, P00927
RS999008	Shock	—	—	LS50	LS50	14.11"	21.53"	7.42"	—	P00920, P01020
RS999009	Shock	—	—	S4	LS38	16.09"	26.1"	10.01"	—	P01192
RS999010	Shock	—	—	L1	L1	16.36"	26.04"	9.68"	—	P01057, P00920
RS999012	Shock	—	—	L1	L1	19.41"	32.29"	12.88"	—	P00934, P00915
RS999014	Shock	—	—	S4	S4	15.17"	24.58"	9.41"	—	P01192
RS999017	Shock	—	—	S4	LS50	15.66"	25.15"	9.49"	—	P00829, P01192
RS999028	Shock	—	—	L1	L1	17.25"	27.96"	10.71"	—	P00934, P00915
RS999029	Shock	—	—	S42	LS26	10.39"	14.55"	4.16"	—	P01192
RS999034	Shock	—	—	L1	L1	20.27"	34.01"	13.74"	—	P01013, P00915

† Bumper Stop Unit. Dimension Shown at Bumper Contact

‡ Hydraulic Lockout Unit. Dimension Shown is Metal-to-Metal, Subtract Approximately 5/8" (.62) from the Extended Length for Start-of-Engagement.

MOUNTING & LENGTH SPECIFICATIONS

Part No.	Part Type	STRUT BODY		END CODE		LENGTHS			Spring (Rate)	Parts Pack(s)
		Type	Length	Upper	Lower	Comp.	Ext.	Trav.		
RS999036	Shock	—	—	L1	L1	21.33"	36.13"	14.8"	—	P01013,P00915
RS999036A†	Shock	—	—	L1	LS78	21.39"	36.15"	14.76"	—	None
RS999039	Shock	—	—	S4	L1	10.39"	14.55"	4.16"	—	P01192,P01013
RS999040	Shock	—	—	S42	LS23	14.28"	22.34"	8.06"	—	P01192
RS999042	Shock	—	—	S51	LS47	13.95"	20.61"	6.66"	—	P01356
RS999043	Shock	—	—	S51	LS47	15.2"	23.11"	7.91"	—	P01356
RS999044	Shock	—	—	S51	LS47	15.95"	24.6"	8.65"	—	P01356
RS999045	Shock	—	—	LS50	LS26	19.92"	33.31"	13.39"	—	None
RS999046	Shock	—	—	L1	LS26	16.65"	26.76"	10.11"	—	None
RS999047	Shock	—	—	L1	LS26	18.87"	31.21"	12.34"	—	None
RS999047A†	Shock	—	—	L1	LS78	18.93"	31.23"	12.3"	—	None
RS999048	Shock	—	—	S51	LS47	16.92"	26.54"	9.62"	—	P01356
RS999050	Shock	—	—	L1	LS26	18.12"	29.19"	11.07"	—	None
RS999055†	Shock	—	—	S51	LS42	15.46"	23.2"	5.46"	—	P01356
RS999056	Shock	—	—	LS47	LS47	19.49"	32.27"	12.78"	—	None
RS999057	Shock	—	—	S42	CLEV	15.03"	22.98"	7.95"	—	P01192
RS999058	Shock	—	—	LS47	LS47	18.24"	29.74"	11.5"	—	None
RS999059	Shock	—	—	LS77	LS39	15.69"	24.38"	8.69"	—	None
RS999060	Shock	—	—	XP7	LS47	18.56"	30.47"	11.91"	—	None
RS999061	Shock	—	—	S42	XP4	16.52"	26.75"	10.23"	—	P01358
RS999062	Shock	—	—	XP12	LS24	16"	25.2"	9.2"	—	None
RS999063	Shock	—	—	LS97	LS38	16.56"	21.96"	5.4"	—	None
RS999064	Shock	—	—	LS97	LS38	17.81"	24.4"	6.59"	—	None
RS999065	Shock	—	—	LS97	LS38	18.16"	25.21"	7.05"	—	None
RS999066	Shock	—	—	LS97	LS38	19.89"	28.59"	8.7"	—	None
RS999067	Shock	—	—	LS97	LS38	19.14"	27.14"	8"	—	None
RS999068	Shock	—	—	LS97	LS38	20.44"	29.74"	9.3"	—	None
RS999112	Shock	—	—	L1	L1	16.25"	25.96"	9.71"	—	P00915,P00913,P01013
RS999113	Shock	—	—	L1	L1	13.28"	20.03"	6.75"	—	P00916
RS999114	Shock	—	—	L2	L2	15.41"	24.29"	8.88"	—	P00939
RS999115	Shock	—	—	S4	L1	13.32"	20.57"	7.25"	—	P00910,P01192
RS999116	Shock	—	—	L1	L1	15.14"	23.75"	8.61"	—	P00916,P01013
RS999117	Shock	—	—	S4	L1	12.37"	18.67"	6.3"	—	P01192,P00910
RS999118	Shock	—	—	L1	L1	14.32"	22.28"	7.96"	—	P00915,P00912,P01013
RS999119	Shock	—	—	L1	L1	11.93"	17.33"	5.4"	—	P00916
RS999120	Shock	—	—	L1	L1	9.98"	13.51"	3.53"	—	P00916,P00915
RS999123†	Shock	—	—	LS39	LS39	11.76"	17.35"	5.59"	—	None
RS999124	Shock	—	—	XP7	LS47	15.25"	23.67"	8.42"	—	None
RS999126	Shock	—	—	L1	LS26	16.36"	26.04"	9.68"	—	None
RS999128	Shock	—	—	S4	XP11	13.39"	20.49"	7.1"	—	P01358,P00941
RS999129	Shock	—	—	XP12	L1	13.36"	19.91"	6.55"	—	None
RS999136	Shock	—	—	S4	L1	11.53"	16.84"	5.31"	—	P01192,P00910,P01013
RS999143	Shock	—	—	L3	L3	16.05"	25.06"	9.01"	—	None
RS999144	Shock	—	—	L3	L3	14.43"	21.88"	7.45"	—	None
RS999145	Shock	—	—	S4	LS82	9.77"	13.33"	3.56"	—	P01192
RS999147	Shock	—	—	LS74	LS74	15.06"	23.01"	7.95"	—	None
RS999150	Shock	—	—	LS77	LS39	11.64"	16.58"	4.94"	—	None
RS999151	Shock	—	—	LS37	LS37	12.61"	18.53"	5.92"	—	P00816
RS999152	Shock	—	—	LS77	LS39	12.24"	17.83"	5.59"	—	None
RS999157	Shock	—	—	LS54	S5	14.31"	22"	7.75"	—	P01167
RS999158	Shock	—	—	S42	L3	13.56"	20.76"	7.2"	—	P01192
RS999159	Shock	—	—	S4	S4	13.25"	20.92"	7.67"	—	P01136
RS999165	Shock	—	—	LS26	LS26	14.65"	22.25"	7.6"	—	P01059
RS999166	Shock	—	—	S4	XP5	10.03"	13.78"	3.75"	—	P01192
RS999168	Shock	—	—	S4	LS38	15.65"	25.23"	9.58"	—	P01192
RS999179	Shock	—	—	S4	L1	14.28"	22.34"	8.06"	—	P01192
RS999180	Shock	—	—	L3	L3	14.18"	21.18"	7"	—	None
RS999185	Shock	—	—	XP11	LS38	16.36"	26.04"	9.68"	—	P00941
RS999186	Shock	—	—	S42	L1	13.4"	20.5"	7.1"	—	P01192
RS999187	Shock	—	—	S4	L3	13.57"	20.57"	7"	—	P01192
RS999188	Shock	—	—	S4	LS23	9.02"	12.39"	3.37"	—	P01192

† Bumper Stop Unit. Dimension Shown at Bumper Contact

‡ Hydraulic Lockout Unit. Dimension Shown is Metal-to-Metal, Subtract Approximately 5/8" (.62) from the Extended Length for Start-of-Engagement.

MOUNTING & LENGTH SPECIFICATIONS

Part No.	Part Type	STRUT BODY		END CODE		LENGTHS			Spring (Rate)	Parts Pack(s)
		Type	Length	Upper	Lower	Comp.	Ext.	Trav.		
RS999190	Shock	—	—	XP7	LS47	16.49"	26.34"	9.85"	—	None
RS999194	Shock	—	—	L1	LS25	14.85"	23.07"	8.22"	—	None
RS999195	Shock	—	—	S5	LS92	10.13"	13.8"	3.67"	—	P01356
RS999197	Shock	—	—	S5	LS92	14.35"	21.9"	7.55"	—	P01356
RS999198	Shock	—	—	LS47	LS47	15.91"	25.08"	9.17"	—	None
RS999201	Shock	—	—	S42	S42	12.19"	18.54"	6.35"	—	P01192
RS999202	Shock	—	—	L3	L3	15.3"	23.6"	8.3"	—	P00888
RS999204	Shock	—	—	S4	S4	11.83"	17.88"	6.05"	—	P01192
RS999207	Shock	—	—	S5	S5	14.7"	23.37"	8.67"	—	P01356
RS999208	Shock	—	—	S5	L3	14.84"	23.17"	8.33"	—	P01356
RS999213	Shock	—	—	S42	LS82	12.26"	18.13"	5.87"	—	P01192
RS999214	Shock	—	—	S4	LS23	10.39"	14.55"	4.16"	—	P01192
RS999215	Shock	—	—	LS78	L3	13.18"	19.28"	6.1"	—	None
RS999221	Shock	—	—	S5	LS92	15.3"	23.8"	8.5"	—	P01356
RS999223	Shock	—	—	S4	LS24	9.65"	13.06"	3.41"	—	P01192
RS999226	Shock	—	—	L3	L3	13.3"	19.82"	6.52"	—	None
RS999227	Shock	—	—	XP7	LS47	16.94"	27.23"	10.29"	—	None
RS999229	Shock	—	—	S4	XP5	14.06"	18.01"	3.95"	—	P01192,P00941
RS999233	Shock	—	—	S5	LS39	10.35"	14.4"	4.05"	—	P01356
RS999234	Shock	—	—	S4	LS26	16.53"	26.99"	10.46"	—	P01192
RS999235	Shock	—	—	S5	XP5	10.75"	14.9"	4.15"	—	P01356
RS999236	Shock	—	—	S4	LS26	14.78"	23.89"	9.11"	—	P01192
RS999237	Shock	—	—	S5	LS39	12.17"	18.03"	5.86"	—	P01356
RS999238	Shock	—	—	S4	LS26	17.37"	28.66"	11.29"	—	P01192
RS999239	Shock	—	—	S4	XP4	14.66"	23.11"	8.45"	—	P01192
RS999240	Shock	—	—	XP12	LS24	12.86"	19.22"	6.36"	—	None
RS999241	Shock	—	—	XP12	LS24	13.73"	20.99"	7.26"	—	None
RS999244	Shock	—	—	LS77	LS39	14.31"	21.76"	7.45"	—	None
RS999245	Shock	—	—	XP6	LS2	15.66"	24.63"	8.97"	—	None
RS999248	Shock	—	—	LS28	LS28	15.37"	23.97"	8.6"	—	None
RS999250	Shock	—	—	S4	LS23	10.03"	13.78"	3.75"	—	P01192
RS999254	Shock	—	—	L1	LS26	18.52"	30.51"	11.99"	—	None
RS999255	Shock	—	—	S4	XP4	16.15"	26.01"	9.86"	—	P01358
RS999256	Shock	—	—	XP12	LS24	15.36"	24.22"	8.86"	—	None
RS999259	Shock	—	—	L1	LS25	14.11"	21.53"	7.42"	—	None
RS999260	Shock	—	—	LS29	LS25	14.11"	21.53"	7.42"	—	None
RS999261	Shock	—	—	L1	LS26	19.5"	32.46"	12.96"	—	None
RS999262	Shock	—	—	LS47	LS47	15.28"	23.83"	8.55"	—	None
RS999263	Shock	—	—	S42	XP7	10.39"	14.45"	4.06"	—	P01192
RS999264	Shock	—	—	L1	LS26	15.7"	24.34"	8.64"	—	None
RS999265	Shock	—	—	S4	CLEV	11.18"	15.28"	4.1"	—	P01192
RS999266	Shock	—	—	XP7	LS26	17.31"	28.08"	10.77"	—	None
RS999267	Shock	—	—	L1	LS26	14.65"	22.25"	7.6"	—	None
RS999268	Shock	—	—	S4	CLEV	13.93"	20.78"	6.85"	—	P01192
RS999269	Shock	—	—	LS47	LS47	17.03"	27.32"	10.29"	—	None
RS999272	Shock	—	—	S5	L1	10.64"	15.11"	4.47"	—	P01356
RS999273	Shock	—	—	L1	LS26	17.25"	27.96"	10.71"	—	None
RS999274	Shock	—	—	LS47	LS47	16.52"	26.3"	9.78"	—	None
RS999275	Shock	—	—	XP7	LS26	19.54"	32.76"	13.22"	—	None
RS999276	Shock	—	—	S5	LS47	12.02"	17.44"	5.42"	—	P01356
RS999278	Shock	—	—	XP7	LS26	15.64"	25.07"	9.43"	—	None
RS999279	Shock	—	—	S51	XP8	11.27"	16.43"	5.16"	—	P01356
RS999280	Shock	—	—	S5	LS92	13.85"	20.9"	7.05"	—	P01356
RS999281	Shock	—	—	S5	XP12	10.14"	14.18"	4.04"	—	P01356
RS999282	Shock	—	—	S5	LS92	11.65"	16.5"	4.85"	—	P01356
RS999283	Shock	—	—	S5	LS92	13.35"	19.9"	6.55"	—	P01356
RS999284	Shock	—	—	LS29	LS28	14.38"	22.08"	7.7"	—	None
RS999285	Shock	—	—	LS38	LS38	15.82"	24.9"	9.08"	—	None
RS999286	Shock	—	—	LS38	LS38	17.03"	27.33"	10.3"	—	None
RS999287	Shock	—	—	LS38	LS38	18.61"	30.47"	11.86"	—	None
RS999288†	Shock	—	—	S51	LS42	11.03"	15.35"	2.04"	—	P01356

† Bumper Stop Unit. Dimension Shown at Bumper Contact

‡ Hydraulic Lockout Unit. Dimension Shown is Metal-to-Metal, Subtract Approximately 5/8" (.62) from the Extended Length for Start-of-Engagement.

MOUNTING & LENGTH SPECIFICATIONS

Part No.	Part Type	STRUT BODY		END CODE		LENGTHS			Spring (Rate)	Parts Pack(s)
		Type	Length	Upper	Lower	Comp.	Ext.	Trav.		
RS999289†	Shock	—	—	S51	LS42	14.07"	21.41"	5.06"	—	P01356
RS999291	Shock	—	—	S4	XP5	9.89"	13.5"	3.61"	—	P01192
RS999292	Shock	—	—	L3	S4	9.68"	13.19"	3.51"	—	P01016,P01192
RS999293	Shock	—	—	L3	S4	13.3"	20.21"	6.91"	—	P01192
RS999294	Shock	—	—	S4	LS23	11.4"	16.76"	5.36"	—	P01192
RS999295	Shock	—	—	S5	LS42	10.73"	15.26"	4.53"	—	P01356
RS999296	Shock	—	—	S51	LS42	13.92"	21.65"	7.73"	—	P01356
RS999297	Shock	—	—	LS47	LS47	18.61"	30.47"	11.86"	—	None
RS999299	Shock	—	—	XP11	LS47	13.86"	20.96"	7.1"	—	None
RS999300	Shock	—	—	S4	LS21	10.36"	14.51"	4.15"	—	P01192
RS999301	Shock	—	—	XP11	LS47	14.85"	23"	8.15"	—	None
RS999303	Shock	—	—	LS47	LS44	15.43"	24.12"	8.69"	—	None
RS999304	Shock	—	—	LS47	LS44	16.96"	27.19"	10.23"	—	None
RS999305	Shock	—	—	S51	LS68	14.57"	22.48"	7.91"	—	P01356
RS999306	Shock	—	—	LS44	LS44	12.31"	17.74"	5.43"	—	None
RS999307†	Shock	—	—	S51	CLEV	13.54"	15.28"	1.82"	—	P01356
RS999308	Shock	—	—	XP11	LS47	15.2"	23.5"	8.3"	—	None
RS999309†	Shock	—	—	S5	CLEV	15.06"	19.44"	2.11"	—	P01356
RS999310	Shock	—	—	XP11	LS47	17.22"	27.58"	10.36"	—	None
RS999311	Shock	—	—	L1	LS47	13.84"	21.1"	7.26"	—	None
RS999312	Shock	—	—	LS44	LS44	10.67"	14.68"	4.01"	—	None
RS999313	Shock	—	—	L1	LS47	12.72"	19.18"	6.46"	—	None
RS999314	Shock	—	—	L1	LS47	13.12"	20.01"	6.89"	—	None
RS999316	Shock	—	—	LS38	LS38	18.17"	29.38"	11.2"	—	None
RS999317	Shock	—	—	S51	LS92	18.04"	28.77"	10.73"	—	P01356
RS999318	Shock	—	—	S4	LS23	10.65"	15.19"	4.54"	—	P01192
RS999319	Shock	—	—	S42	LS23	14.27"	22.45"	8.18"	—	P01192
RS999320	Shock	—	—	S42	LS23	13.15"	20.36"	7.21"	—	P01192
RS999321	Shock	—	—	LS75	LS27	15.16"	23.49"	8.33"	—	None
RS999322	Shock	—	—	S4	LS23	10.14"	14.65"	4.51"	—	P01192
RS999323	Shock	—	—	L1	L3	14.15"	21.96"	7.81"	—	None
RS999324	Shock	—	—	S51	LS39	15.48"	24.65"	9.17"	—	P01356
RS999326	Shock	—	—	S51	LS38	14.11"	21.76"	7.65"	—	P01356
RS999327	Shock	—	—	XP12	LS39	13.96"	21.16"	7.2"	—	None
RS999328	Shock	—	—	XP12	LS39	14.72"	22.61"	7.89"	—	None
RS999329	Shock	—	—	S5	LS39	15.75"	25.06"	9.31"	—	P01356
RS999330	Shock	—	—	XP12	LS38	16.11"	25.7"	9.59"	—	None
RS999331	Shock	—	—	S5	LS39	16.63"	27.05"	10.42"	—	P01356
RS999332	Shock	—	—	XP12	LS39	16.85"	27.27"	10.42"	—	None
RS999333	Shock	—	—	L1	L1	15.23"	23.81"	8.58"	—	P00916,P01013
RS999334	Shock	—	—	L1	S4	12.36"	18.62"	6.26"	—	P01134,P00910
RS999337	Shock	—	—	S4	LS3	9.02"	12.39"	3.37"	—	P01192
RS999338	Shock	—	—	L1	L1	12.9"	19.46"	6.55"	—	P00829
RS999339	Shock	—	—	S4	S4	13.54"	21.66"	8.12"	—	P01136
RS999340	Shock	—	—	LS54	S5	14.31"	22.06"	7.75"	—	P01356
RS999341	Shock	—	—	L1	L1	13.16"	20.06"	6.9"	—	P00916
RS999342	Shock	—	—	S5	S5	12.29"	18.85"	6.56"	—	P01356
RS999343	Shock	—	—	L3	LS54	15.65"	24.61"	8.97"	—	None
RS999344	Shock	—	—	L1	L1	14.84"	23.34"	8.49"	—	None
RS999345	Shock	—	—	S4	LS23	10.75"	15.65"	4.9"	—	P01192
RS999346	Shock	—	—	LS23	LS23	12.09"	18.13"	6.04"	—	None
RS999347	Shock	—	—	S4	L1	10.75"	15.91"	5.16"	—	P01192
RS999348	Shock	—	—	L1	L1	11.56"	17.04"	5.48"	—	None
RS999349	Shock	—	—	S4	LS26	11.88"	18.13"	6.25"	—	P01192
RS999350	Shock	—	—	LS50	LS50	15.16"	23.79"	8.63"	—	None
RS999351	Shock	—	—	S4	L1	11.88"	18.13"	6.25"	—	P01192
RS999352	Shock	—	—	S4	L3	13.31"	20.76"	7.45"	—	P01192
RS999353	Shock	—	—	L3	L3	13.92"	21.36"	7.44"	—	None
RS999354	Shock	—	—	S4	L3	13.8"	21.59"	7.79"	—	P01192
RS999355	Shock	—	—	L3	L3	15.52"	24.43"	8.91"	—	None
RS999357	Shock	—	—	S4	L3	14.42"	22.82"	8.4"	—	P01192

† Bumper Stop Unit. Dimension Shown at Bumper Contact

‡ Hydraulic Lockout Unit. Dimension Shown is Metal-to-Metal, Subtract Approximately 5/8" (.62) from the Extended Length for Start-of-Engagement.

MOUNTING & LENGTH SPECIFICATIONS

Part No.	Part Type	STRUT BODY		END CODE		LENGTHS			Spring (Rate)	Parts Pack(s)
		Type	Length	Upper	Lower	Comp.	Ext.	Trav.		
RS999358	Shock	—	—	S6	LS43	11.65"	17.32"	5.67"	—	P01482
RS999359	Shock	—	—	S6	LS54	14.67"	23.12"	8.45"	—	P01482
RS999361	Shock	—	—	LS40	LS40	14.53"	22.48"	7.95"	—	None
RS999362	Shock	—	—	LS40	S5	13.73"	21.33"	7.6"	—	P01356
RS999363	Shock	—	—	LS40	S5	12.61"	19.1"	6.49"	—	P01356
RS999364	Shock	—	—	L1	LS50	13.57"	20.72"	7.15"	—	None
RS999365	Shock	—	—	S4	LS44	14.35"	22.71"	8.36"	—	P01192
RS999366	Shock	—	—	S4	LS25	12.75"	19.81"	7.06"	—	P01192
RS999367	Shock	—	—	LS47	LS47	16.41"	25.58"	9.17"	—	None
RS999368	Shock	—	—	S5	XP12	9.86"	13.92"	4.06"	—	P01356
RS999377†	Shock	—	—	XP15	CLEV	13.56"	17.95"	4.24"	—	P01617
RS999379†	Shock	—	—	LS47	LS47	16.06"	25.4"	9.49"	—	None
RS999380	Shock	—	—	XP15	CLEV	16.56"	23"	6.29"	—	P01617
RS999381†	Shock	—	—	LS47	LS47	18.06"	29.4"	11.49"	—	None
RS999384†	Shock	—	—	LS39	LS39	17.64"	28.55"	10.91"	—	None
RS999758†	Strut	SS2	17.38"	—	—	17.88"	23.51"	5.63"	—	P01613
RS999762†	Strut	SS3	13.23"	—	—	13.73"	18.21"	4.48"	—	P01612
RS999763	Strut	SS3	13.08"	—	—	13.5"	18.44"	3.28"	—	P01612
RS999764	Strut	B4	7.12"	—	—	7.62"	12.07"	4.45"	—	P01372
RS999766†	Strut	SS3	13.23"	—	—	13.73"	17.96"	4.23"	—	P01612
RS999767	Strut	SS1	16.2"	—	—	16.7"	21.71"	5.01"	—	P01499
RS999769	Strut	SS2	20.88"	—	—	21.38"	26.39"	5.02"	—	P01499,P01576
RS999773†	Strut	SS3	14.76"	—	—	15.06"	18.77"	3.71"	—	P01614
RS999774	Strut	SS2	15.15"	—	—	15.65"	20.67"	5.02"	—	P01499
RS999777†	Strut	SS2	16.64"	—	—	16.73"	22"	5.27"	—	P01613
RS999782†	Strut	SS2	16.39"	—	—	17.07"	22"	4.93"	—	P01613
RS999784	Strut	SS7	13.34"	—	—	13.84"	17.68"	3.84"	—	P01426,P01415
RS999786	Strut	SS7	18.46"	—	—	18.96"	22.6"	3.74"	—	P01426,P01415
RS999787	Strut	SS3	10.55"	—	—	10.97"	14.98"	4.01"	—	P01614
RS999788	Strut	SS6	15.22"	—	—	15.76"	21.14"	5.38"	—	P01747
RS999789	Strut	SS6	18.15"	—	—	18.64"	24.44"	5.8"	—	P01747
RS999799	Strut	SPEC	18.46"	—	—	18.96"	22.8"	3.84"	—	P01504,P01415,P01510
RS999801†	Strut	SS3	—	—	—	12.38"	16.75"	4.37"	—	P01356
RS999802†	Strut	SS2	12.98"	—	—	13.32"	18.62"	5.3"	—	P01431
RS999803	Strut	SS2	16.41"	—	—	16.41"	20.87"	4.46"	—	P01499
RS999804	Strut	SS2	17.13"	—	—	17.13"	21.6"	4.51"	—	P01499
RS999806	Strut	SS2	21.56"	—	—	21.81"	26.28"	4.47"	—	P01499,P01576
RS999808	Strut	SS4	14.52"	—	—	14.6"	21.19"	7.19"	—	P01747
RS999830†	Strut	SS7	12.78"	XP16	—	13.57"	16.86"	3.28"	—	P01707,P01415
RS999832†	Strut	SS7	19.54"	—	—	20.36"	23.81"	3.45"	—	P01707,P01415
RS999836	Strut	SS2	22.66"	—	—	17.18"	22.16"	4.98"	—	P01764, P01726
RS999838	Strut	SS1	20.96"	—	—	21.46"	26.41"	4.95"	—	P01499, P01726
RS999901	Complete Strut Assembly	SS7	13.31"	—	—	13.81"	18.06"	4.25"	—	P01577
RS999902	Complete Strut Assembly	SS3	16.2"	—	—	16.7"	21.71"	5.01"	—	P01141
RS999903	Complete Strut Assembly	SS3	14.17"	—	—	14.67"	21.6"	6.93"	—	P01141
RS999904	Complete Strut Assembly	SS3	16.05"	—	—	16.55"	20.6"	4.05"	—	P01113
RS999905	Complete Strut Assembly	SS3	13.48"	—	—	13.98"	19.75"	5.77"	—	P01113
RS999907	Complete Strut Assembly	SS3	13.61"	—	—	14.11"	18.75"	4.64"	—	P01101
RS999908	Complete Strut Assembly	SS3	13.61"	—	—	14.11"	18.75"	4.64"	—	P01101
RS999909	Complete Strut Assembly	SS3	16.2"	—	—	16.7"	21.71"	5.01"	—	P01141
RS999910	Complete Strut Assembly	SS3	16.69"	—	—	17.19"	22.21"	5.02"	—	P01101
RS999911	Complete Strut Assembly	SS2	16.63"	—	—	17.13"	21.6"	4.47"	—	P01141
RS999912	Complete Strut Assembly	SS3	15.91"	—	—	16.41"	20.87"	4.46"	—	P01141
RS999913†	Complete Strut Assembly	SS3	16.63"	—	—	17.13"	21.98"	4.85"	—	P01101
RS999914	Complete Strut Assembly	SS3	16.63"	—	—	17.13"	21.98"	4.85"	—	P01101
RS999915†	Complete Strut Assembly	SS3	16.63"	—	—	17.13"	21.98"	4.85"	—	P01101
RS999919†	Complete Strut Assembly	SS3	17.3"	—	—	17.88"	23.51"	5.63"	—	P01123
RS999920†	Complete Strut Assembly	SS3	17.3"	—	—	17.88"	23.51"	5.63"	—	P01123
RS999921†	Complete Strut Assembly	SS3	10.78"	—	—	11.29"	15"	3.71"	—	P01101
RS999922	Complete Strut Assembly	SS3	10.55"	—	—	11.05"	15.06"	4.01"	—	P01101
RS999923	Complete Strut Assembly	SS3	13.23"	—	—	13.73"	18.04"	4.31"	—	P01101

† Bumper Stop Unit. Dimension Shown at Bumper Contact

‡ Hydraulic Lockout Unit. Dimension Shown is Metal-to-Metal, Subtract Approximately 5/8" (.62) from the Extended Length for Start-of-Engagement.

MOUNTING & LENGTH SPECIFICATIONS

Part No.	Part Type	STRUT BODY		END CODE		LENGTHS			Spring (Rate)	Parts Pack(s)
		Type	Length	Upper	Lower	Comp.	Ext.	Trav.		
RS999924†	Complete Strut Assembly	SS3	16.85"	—	—	17.35"	22"	4.65"	—	P01113
RS999925	Complete Strut Assembly	SS3	15.66"	—	—	16.16"	21.3"	5.14"	—	P01141
RS999926	Complete Strut Assembly	SS2	14.95"	—	—	15.45"	21.2"	5.75"	—	P01141
RS999927	Complete Strut Assembly	SS3	12.99"	—	—	13.49"	19.41"	5.92"	—	P01113
RS999928	Complete Strut Assembly	SS7	13.31"	—	—	13.81"	18.06"	4.25"	—	P01577,P01510
RS999929	Complete Strut Assembly	SS5	15.22"	—	—	15.72"	21.22"	5.5"	—	P01141
RS999930	Complete Strut Assembly	SS5	15.22"	—	—	15.72"	21.22"	5.5"	—	P01141
RS999931	Complete Strut Assembly	SS3	13.23"	—	—	13.73"	18.04"	4.31"	—	P01101
RS999932	Complete Strut Assembly	SS3	16.2"	—	—	16.7"	21.71"	5.01"	—	P01141
RS999933	Complete Strut Assembly	SS3	14.17"	—	—	14.67"	21.6"	6.93"	—	P01141
RS999934	Complete Strut Assembly	SS3	13.48"	—	—	13.98"	19.75"	5.77"	—	P01113
RS999935	Complete Strut Assembly	SS2	16.63"	—	—	17.13"	21.6"	4.47"	—	P01141
RS999936	Complete Strut Assembly	SS3	15.91"	—	—	16.41"	20.87"	4.46"	—	P01141
RS999937†	Complete Strut Assembly	SS3	10.78"	—	—	11.29"	15"	3.71"	—	P01101
RS999938	Complete Strut Assembly	SS3	14.56"	—	—	11.05"	15.06"	4.01"	—	P01101
RS999939†	Complete Strut Assembly	SS3	16.85"	—	—	17.35"	22"	4.65"	—	P01113
RS999940	Complete Strut Assembly	SS3	15.66"	—	—	16.16"	21.3"	5.14"	—	P01141
RS999941	Complete Strut Assembly	SS2	14.95"	—	—	15.45"	21.2"	5.75"	—	P01141
RS999942	Complete Strut Assembly	SS3	12.99"	—	—	13.49"	19.41"	5.92"	—	P01113
RS999943	Complete Strut Assembly	SS5	15.22"	—	—	15.72"	21.22"	5.5"	—	P01141
RS999944	Complete Strut Assembly	SS5	15.22"	—	—	15.72"	21.22"	5.5"	—	P01141
RS999945†	Complete Strut Assembly	SPEC	16.43"	—	—	16.93"	22.24"	5.31"	—	P01141,P01726
RS999946†	Complete Strut Assembly	SPEC	16.43"	—	—	16.93"	22.24"	5.31"	—	P01141,P01726
RS999947	Complete Strut Assembly	SS7	17.73"	—	—	15.98"	21.1"	5.12"	—	P01141, P01726
RS999948	Complete Strut Assembly	SS7	17.73"	—	—	15.98"	21.1"	5.12"	—	P01141, P01726
RS999949	Complete Strut Assembly	SS7	—	—	—	13.85"	18.06"	4.21"	—	P01577
SC2911	Steering Damper	—	—	L1	L1	13.84"	23.27"	9.43"	—	P01198
SC2912	Steering Damper	—	—	S4	S4	12.63"	21.88"	9.25"	—	P01098
SC2913	Steering Damper	—	—	L1	L1	14.15"	23.99"	9.88"	—	P00837,P00576
SC2914	Steering Damper	—	—	L1	S4	12.75"	21.5"	8.75"	—	P01034,P00576,P01098
SC2915	Steering Damper	—	—	L1	L1	12.13"	19.88"	7.75"	—	P00848
SC2916	Steering Damper	—	—	L1	L1	13.25"	22.25"	9"	—	P00848
SC2917	Steering Damper	—	—	L1	L1	11.66"	18.7"	7.05"	—	P00848
SC2920	Steering Damper	—	—	SPEC	SPEC	16"	26.69"	10.69"	—	None
SC2921	Steering Damper	—	—	SPEC	SPEC	16.61"	27.94"	11.33"	—	None
SC2922	Steering Damper	—	—	LS14	L1	15.38"	26.38"	11"	—	P00837
SC2928	Steering Damper	—	—	L1	LS37	12"	19.5"	7.5"	—	P00837
SC2937	Steering Damper	—	—	L1	LS4	12"	19.5"	7.5"	—	P00848,P00837
SC2939	Steering Damper	—	—	LS22	LS2	11.63"	19.13"	7.5"	—	None
SC2940	Steering Damper	—	—	S4	L1	10.63"	17.38"	6.75"	—	P00843,P01098
SC2941	Steering Damper	—	—	LS23	LS22	11.5"	17.63"	6.13"	—	None
SC2942	Steering Damper	—	—	L1	LS4	12.25"	20.13"	7.88"	—	P00837
SC2943	Steering Damper	—	—	LS2	LS2	11.75"	19.13"	7.38"	—	None
SC2946	Steering Damper	—	—	L1	L1	16.5"	25.63"	9.13"	—	P01034
SC2947	Steering Damper	—	—	LS2	L1	15.38"	23.63"	8.25"	—	P01034
SC2948	Steering Damper	—	—	LS2	L1	12.5"	19.88"	7.38"	—	P01034
SC2953	Steering Damper	—	—	L1	LS24	13.75"	23"	9.25"	—	P00837
SC2954	Steering Damper	—	—	L1	LS2	17.88"	26.5"	8.63"	—	P01034
SC2955	Steering Damper	—	—	LS26	LS26	13"	21.38"	8.38"	—	None
SC2956	Steering Damper	—	—	LS4	LS4	13.88"	23.25"	9.38"	—	None
SC2957	Steering Damper	—	—	L1	L1	17"	26.88"	9.88"	—	P01034
SC2960	Steering Damper	—	—	LS24	LS24	13.63"	22.63"	9"	—	None
SC2961	Steering Damper	—	—	L1	LS38	14.5"	24.38"	9.88"	—	P00847
SC2962	Steering Damper	—	—	LS5	LS24	12.75"	20.75"	8"	—	P01326
SC2963	Steering Damper	—	—	L1	LS35	12.5"	20.63"	8.13"	—	P01368
SC2964	Steering Damper	—	—	L1	LS24	14"	23.5"	9.5"	—	P01368
SC2965	Steering Damper	—	—	S4	L1	15.63"	27.38"	11.75"	—	P01385,P01134
SC2966	Steering Damper	—	—	LS24	LS24	17.33"	29.77"	12.44"	—	None
SC2967	Steering Damper	—	—	LS26	L1	16.11"	27.79"	11.68"	—	P01385
SC2968	Steering Damper	—	—	LS37	LS37	14.05"	23.32"	9.27"	—	None
SC2969	Steering Damper	—	—	L1	LS23	13.69"	22.96"	9.27"	—	P01368

† Bumper Stop Unit. Dimension Shown at Bumper Contact

‡ Hydraulic Lockout Unit. Dimension Shown is Metal-to-Metal, Subtract Approximately 5/8" (.62) from the Extended Length for Start-of-Engagement.

MOUNTING & LENGTH SPECIFICATIONS

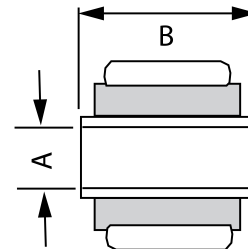
Part No.	Part Type	STRUT BODY		END CODE		LENGTHS			Spring (Rate)	Parts Pack(s)
		Type	Length	Upper	Lower	Comp.	Ext.	Trav.		
SC2970	Steering Damper	—	—	LS37	LS37	13.22"	20.65"	7.43"	—	None
SC2973	Steering Damper	—	—	LS28	LS39	14.54"	24.04"	9.5"	—	None

† Bumper Stop Unit. Dimension Shown at Bumper Contact

‡ Hydraulic Lockout Unit. Dimension Shown is Metal-to-Metal, Subtract Approximately 5/8" (.62) from the Extended Length for Start-of-Engagement.

Specifications — Shock Mount Codes

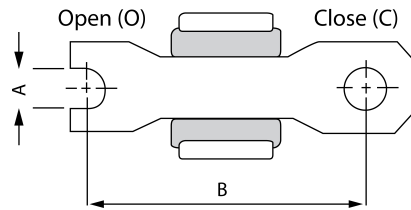
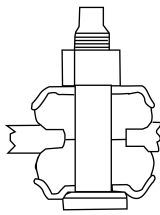
Mount Code	Sleeve ID (A)	Sleeve OAL (B)	Mount Code	Sleeve ID (A)	Sleeve OAL (B)	Mount Code	Sleeve ID (A)	Sleeve OAL (B)
LS1	10MM	15/16"	LS49	5/8"-16MM	1 3/16"	LS97	1/2"	2 3/4"
LS2	10MM	1"	LS50	5/8"-16MM	1 1/2"	LS98	5/8"-16MM	3"
LS3	10MM	1 1/4"	LS51	5/8"-16MM	1 9/16"	LS99	5/8"-16MM	3 1/4"
LS4	10MM	1 3/8"	LS52	5/8"-16MM	1 11/16"	LS100	1 1/8"	4"
LS5	10MM	1 7/16"	LS53	5/8"-16MM	2"	LS101	1 1/8"	2 5/8"
LS6	10MM	1 9/16"	LS54	3/4"	1 3/4"	LS102	7/8"	2 1/4"
LS7	10MM	1 5/8"	LS55	18MM	1 5/8"	LS103	1/2"	3 3/4"
LS8	10MM	2"	LS56	20MM	1 9/16"	LB1	1/2"	3/4"
LS9	10MM	2 1/8"	LS57	20MM	2"			
LS10	10MM	2 3/8"	LS58	20MM	2 7/16"			
LS11	10MM	3"	LS59	3/4"	3 1/16"			
LS12	7/16"	1 1/4"	LS60	3/4"	3 3/16"			
LS13	7/16"	1 5/16"	LS61	5/8"-16MM	4"			
LS14	7/16"	1 3/8"	LS62	5/8"-16MM	2 9/16"			
LS15	7/16"	1 7/16"	LS63	1/2"	1/2"			
LS16	7/16"	1 5/8"	LS64	21MM	1 5/16"			
LS17	7/16"	1 7/8"	LS65	1"	2"			
LS18	7/16"	2 1/8"	LS66	3/4"	1 3/8"			
LS19	7/16"	3 3/16"	LS67	3/4"	1 11/16"			
LS20	7/16"	3 3/8"	LS68	3/4"	1 7/8"			
LS21	12MM	1"	LS69	3/4"	1 5/16"			
LS22	12MM	1 1/8"	LS70	3/4"	2 1/4"			
LS23	12MM	1 1/4"	LS71	3/4"	2 3/4"			
LS24	12MM	1 3/8"	LS72	7/16"	2"			
LS25	12MM	1 7/16"	LS73	7/16"	2 1/2"			
LS26	12MM	1 1/2"	LS74	12MM	1 1/16"			
LS27	12MM	1 9/16"	LS75	20MM	1 3/4"			
LS28	12MM	1 5/8"	LS76	1/2"	2 3/8"			
LS29	12MM	1 3/4"	LS77	1/2"	2 7/16"			
LS30	12MM	1 7/8"	LS78	9/16"	1 1/2"			
LS31	12MM	2"	LS79	5/8"-16MM	1 3/8"			
LS32	12MM	2 1/8"	LS80	5/8"-16MM	1 3/4"			
LS33	12MM	2 5/16"	LS81	5/8"-16MM	1 7/8"			
LS34	12MM	2 7/8"	LS82	5/8"-16MM	1 1/2"			
LS35	1/2"	1 1/4"	LS83	18MM	2"			
LS36	1/2"	1 5/16"	LS84	12MM	2 3/8"			
LS37	1/2"	1 3/8"	LS85	5/8"-16MM	1 3/16"			
LS38	1/2"	1 1/2"	LS86	3/4"	2 5/16"			
LS39	1/2"	1 5/8"	LS87	5/8"-16MM	3 9/16"			
LS40	1/2"	1 11/16"	LS88	14MM	2 7/16"			
LS41	1/2"	2 1/4"	LS89	1"	1 3/4"			
LS42	14MM	1 5/16"	LS90	14MM	2 5/8"			
LS43	14MM	1 9/16"	LS91	14MM	1 3/4"			
LS44	14MM	1 7/8"	LS92	14MM	1 11/16"			
LS45	14MM	2 7/16"	LS93	18MM	3 1/4"			
LS46	14MM	3 1/8"	LS94	5/8"-16MM	2 3/4"			
LS47	9/16"	1 5/8"	LS95	20MM	2 3/8"			
LS48	9/16"	2 7/16"	LS96	1/2"	1 7/8"			



Specifications – Shock Mount Codes

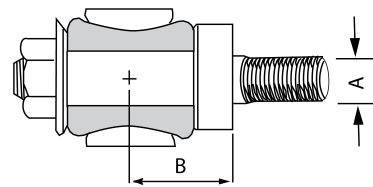
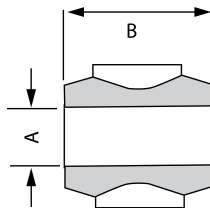
Stem Mount Code	Sleeve Length	Thread Pitch
S1	1 ³ / ₁₆ "	M10
S12	1 ³ / ₁₆ "	M10
S15	2 ⁵ / ₈ "	M10
S2	2"	M12
S3	2"	3/8"-24
S33	2"	3/8"-24
S34	2 ¹ / ₄ "	3/8"-24
S4	2 ³ / ₈ "	3/8"-16
S42	2 ³ / ₈ "	3/8"-16
S5	2 ⁵ / ₈ "	1/2"-13
S51	2 ⁵ / ₈ "	1/2"-13
S52	2 ⁵ / ₈ "	1/2"-20
S6	3 ⁵ / ₁₆ "	5/8"-11
S61	3 ⁵ / ₁₆ "	5/8"-11
S62	2 ¹ / ₂ "	5/8"-18
S7	1 ¹ / ₈ "	M8

Cross Pin Mount Code	X.Pin End Type	X.Pin Hole Diameter	X.Pin Length (Cntr to Cntr)
XP1	Open	5/16"	2 ³ / ₁₆ "
XP2	Open	5/16"	2 ³ / ₈ "
XP3	Open	5/16"	2 ⁷ / ₁₆ "
XP4	Closed	5/16"	2 ⁷ / ₁₆ "
XP5	Closed	5/16"	2 ¹ / ₂ "
XP6	Open	5/16"	2 ³ / ₄ "
XP7	Closed	5/16"	2 ⁷ / ₈ "
XP8	Open	5/16"	3"
XP9	Open	5/16"	3 ⁵ / ₈ "
XP10	Open	3/8"	2 ⁵ / ₈ "
XP11	Closed	3/8"	2 ³ / ₄ "
XP12	Open	3/8"	3 ³ / ₁₆ "
XP13	Closed	12MM	2 ¹⁵ / ₁₆ "
XP14	Closed	1/2"	3 ³ / ₈ "
XP15	Closed	1/2"	3 ³ / ₄ "
XP16	Closed	3/8"	4"

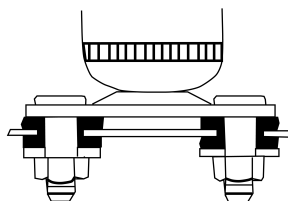


Loop Mount Code	Bushing ID (A)	Bushing OAL (B)
L1	5/8"	1 ⁵ / ₁₆ "
L2	11/16"	1 ⁹ / ₁₆ "
L3	3/4"	1 ⁹ / ₁₆ "
L4	1"	1 ³ / ₄ "
L5	1 ¹ / ₄ "	2 ⁹ / ₁₆ "
L6	1 ¹ / ₂ "	3/4"

Cantilever Mount Code	Stud Diameter (A)	Stud Length (B)
CP1	1/2"	1 ¹ / ₁₆ "
CP2	1/2"	1 ³ / ₁₆ "
CP3	1/2"	1 ⁵ / ₁₆ "
CP4	1/2"	1 ¹ / ₂ "
CP5	5/8"	1 ⁵ / ₁₆ "
CP5	5/8"	1 ⁵ / ₁₆ "

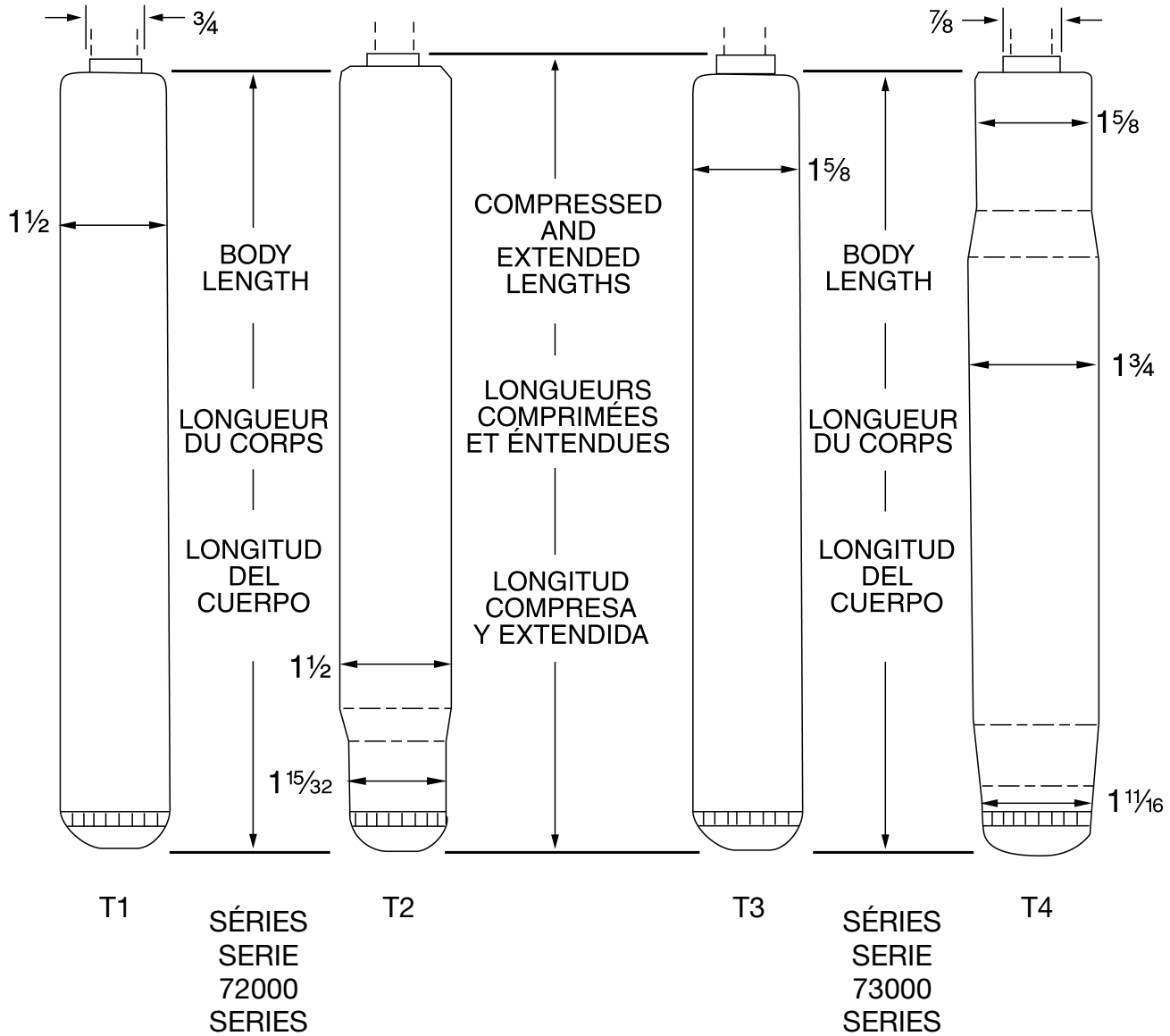


Special Mount	Mount Description
CLEV	Clevis Bracket Mount
SPEC	Special Mount
SP	Stud Plate Mount



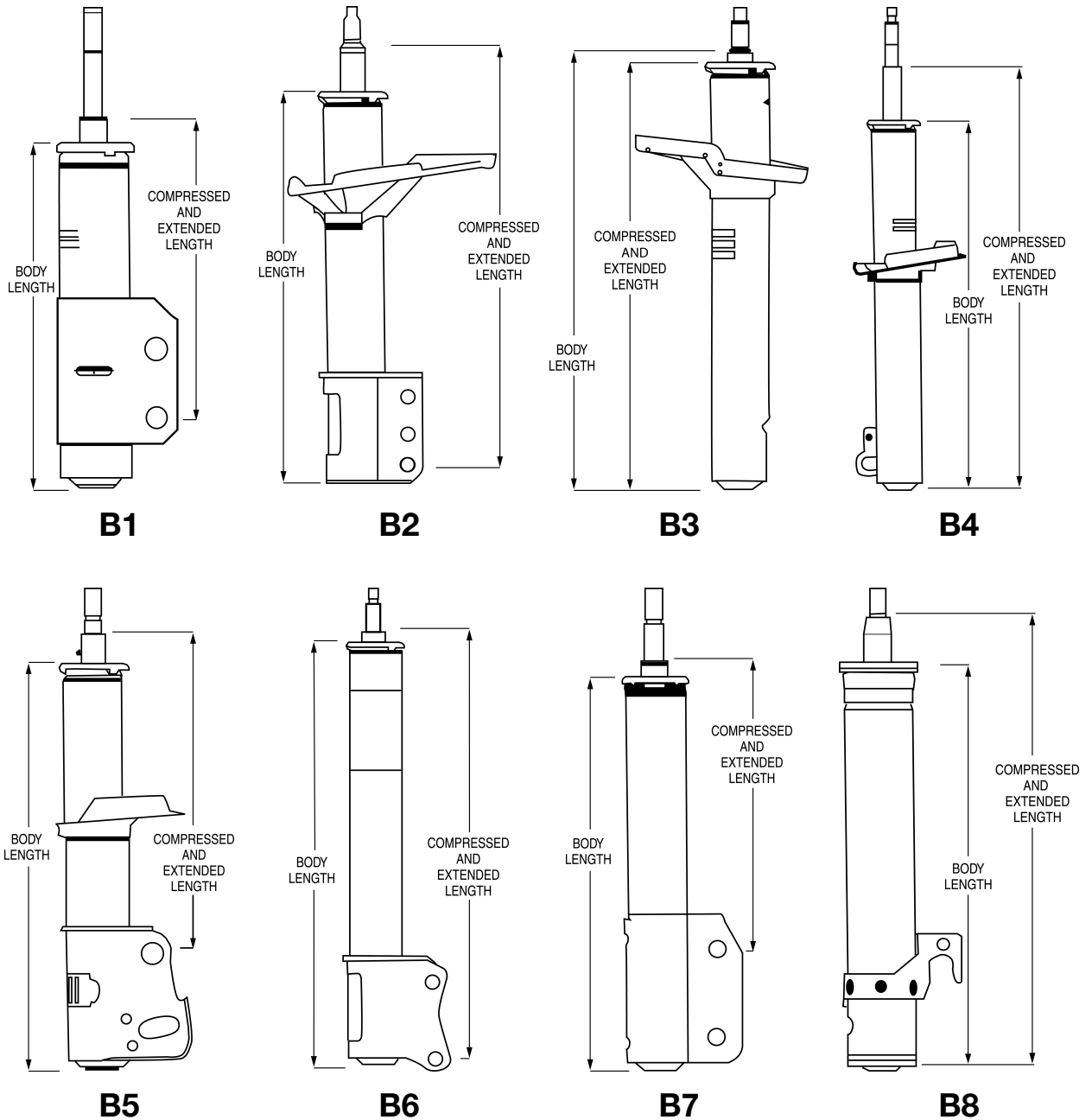
Specifications

REPLACEMENT CARTRIDGE DIMENSIONING DIMENSION DE LA CARTOUCHE DE REMPLACEMENT DIMENSIONES DEL CARTUCHO DE REPUESTO



Product specifications shown in this catalog are subject to change without notice.
Les données techniques des produits de ce catalogue peuvent être modifiées sans préavis.
Las especificaciones de los productos en este catálogo están sujetas a cambio sin previo aviso.

MOUNTING & LENGTH CHARTS REPLACEMENT UNITS MONTAGE ET LONGUEUR DES UNITÉS DE REMPLACEMENT TABLAS DE MONTAJE Y LONGITUD DE LAS UNIDADES DE REPUESTO



BODY LENGTH / LONGUEUR DU CORP / LONGITUD DEL CUERPO.

COMPRESSED AND EXTENDED LENGTH / LONGUEUR COMPRIMÉE ET ÉTENDUE / LONGITUD COMPRIMIDA Y EXTENDIDA.

NOTE/NOTA:

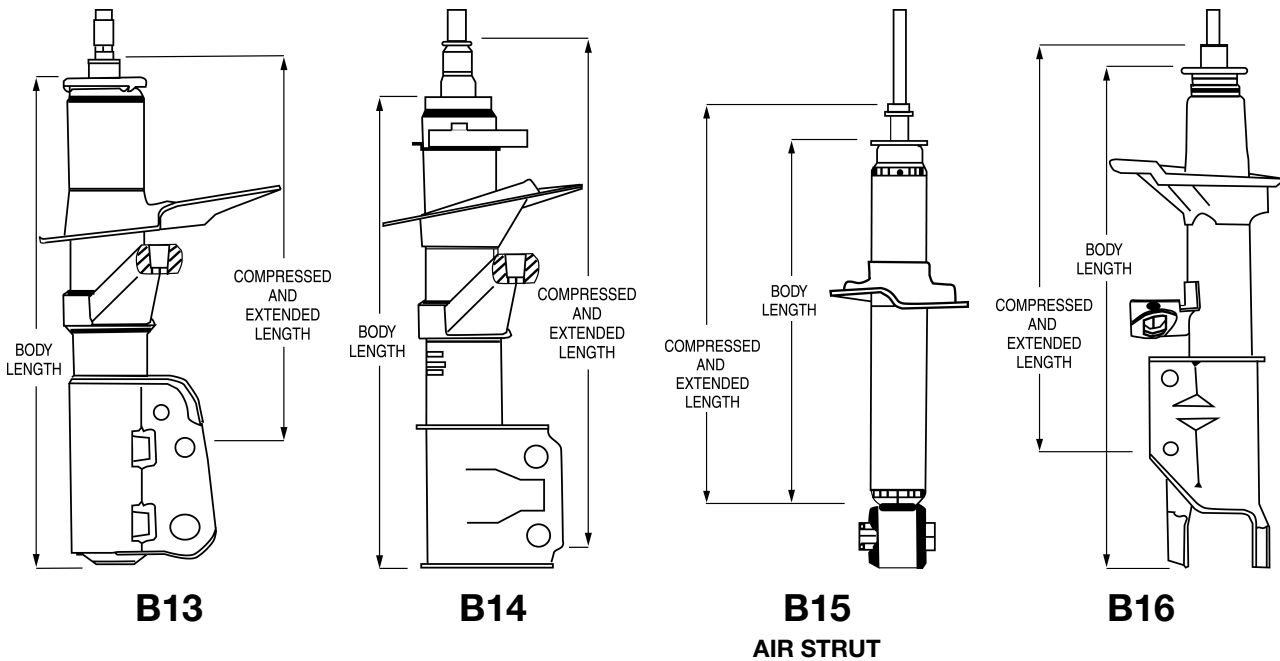
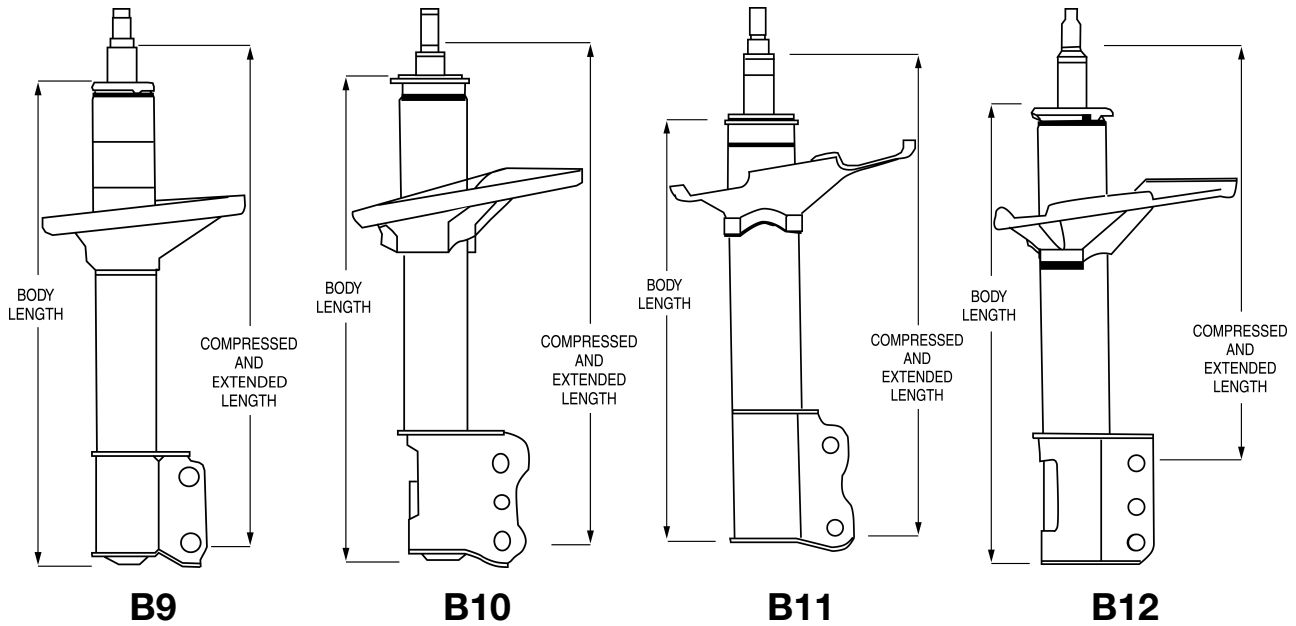
All Piston Rod Ends are Designed Special For Each Application.

Chaque extrémité de tige de piston est conçue spécialement pour chaque application.

Todos los extremos de la varas del pistón están diseñadas especialmente para cada aplicación.

Specifications

MOUNTING & LENGTH CHARTS REPLACEMENT UNITS MONTAGE ET LONGUEUR DES UNITÉS DE REMPLACEMENT TABLAS DE MONTAJE Y LONGITUD DE LAS UNIDADES DE REPUESTO



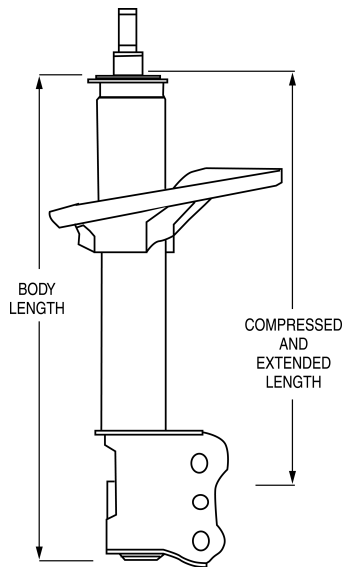
BODY LENGTH / LONGUEUR DU CORP / LONGITUD DEL CUERPO.

COMPRESSED AND EXTENDED LENGTH / LONGUEUR COMPRIMÉE ET ÉTENDUE / LONGITUD COMPRIMIDA Y EXTENDIDA.

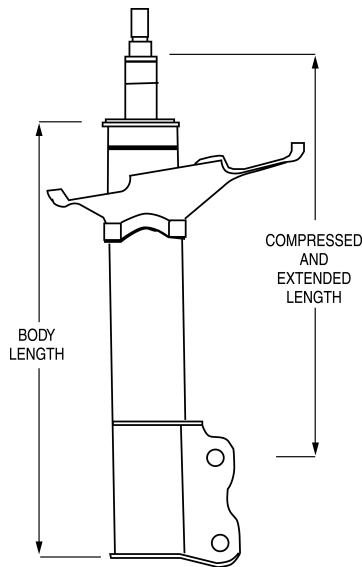
NOTE/NOTA:

All Piston Rod Ends are Designed Special For Each Application.
Chaque extrémité de tige de piston est conçue spécialement pour chaque application.
Todos los extremos de la varas del pistón están diseñadas especialmente para cada aplicación.

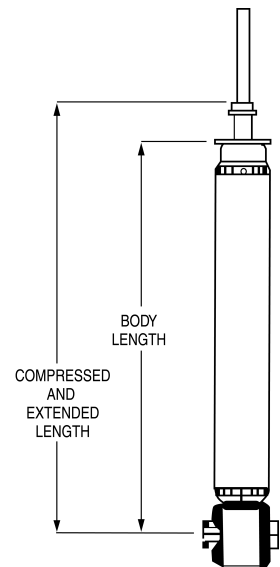
MOUNTING & LENGTH CHARTS REPLACEMENT UNITS MONTAGE ET LONGUEUR DES UNITÉS DE REMPLACEMENT TABLAS DE MONTAJE Y LONGITUD DE LAS UNIDADES DE REPUESTO



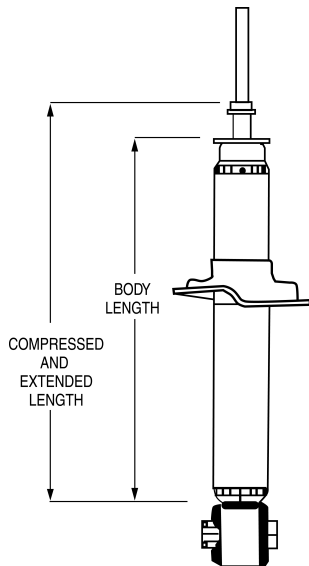
B17



B18

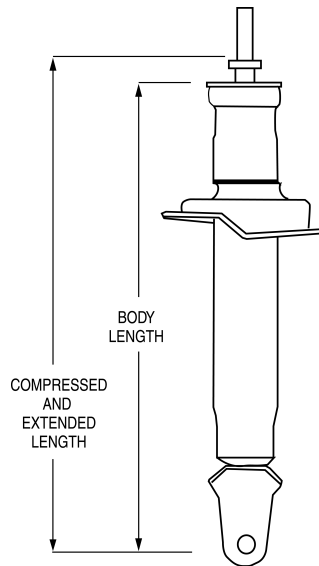


SS1



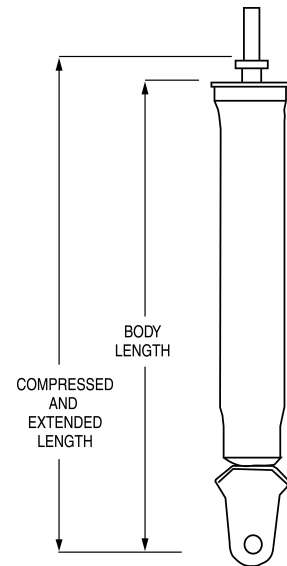
SS2

SS3 w/Dirt Shield Not Shown



SS4

SS5 w/Dirt Shield Not Shown



SS6

BODY LENGTH / LONGUEUR DU CORP / LONGITUD DEL CUERPO.

COMPRESSED AND EXTENDED LENGTH / LONGUEUR COMPRIMÉE ET ÉTENDUE / LONGITUD COMPRIMIDA Y EXTENDIDA.

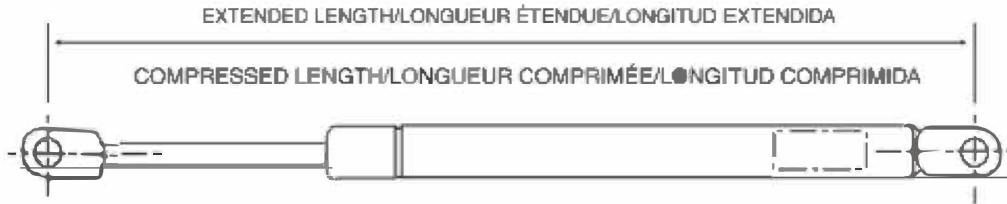
NOTE/NOTA:

All Piston Rod Ends are Designed Special For Each Application.

Chaque extrémité de tige de piston est conçue spécialement pour chaque application.

Todos los extremos de la varas del pistón están diseñadas especialmente para cada aplicación.

MAX-LIFT®
LENGTH DIMENSIONING
DIMENSIONS DE LA LONGUEUR
MEDIDAS DE LONGITUD



END MOUNTING CODES
CODES DE MONTAGE
CÓDIGOS DE MONTAJE

