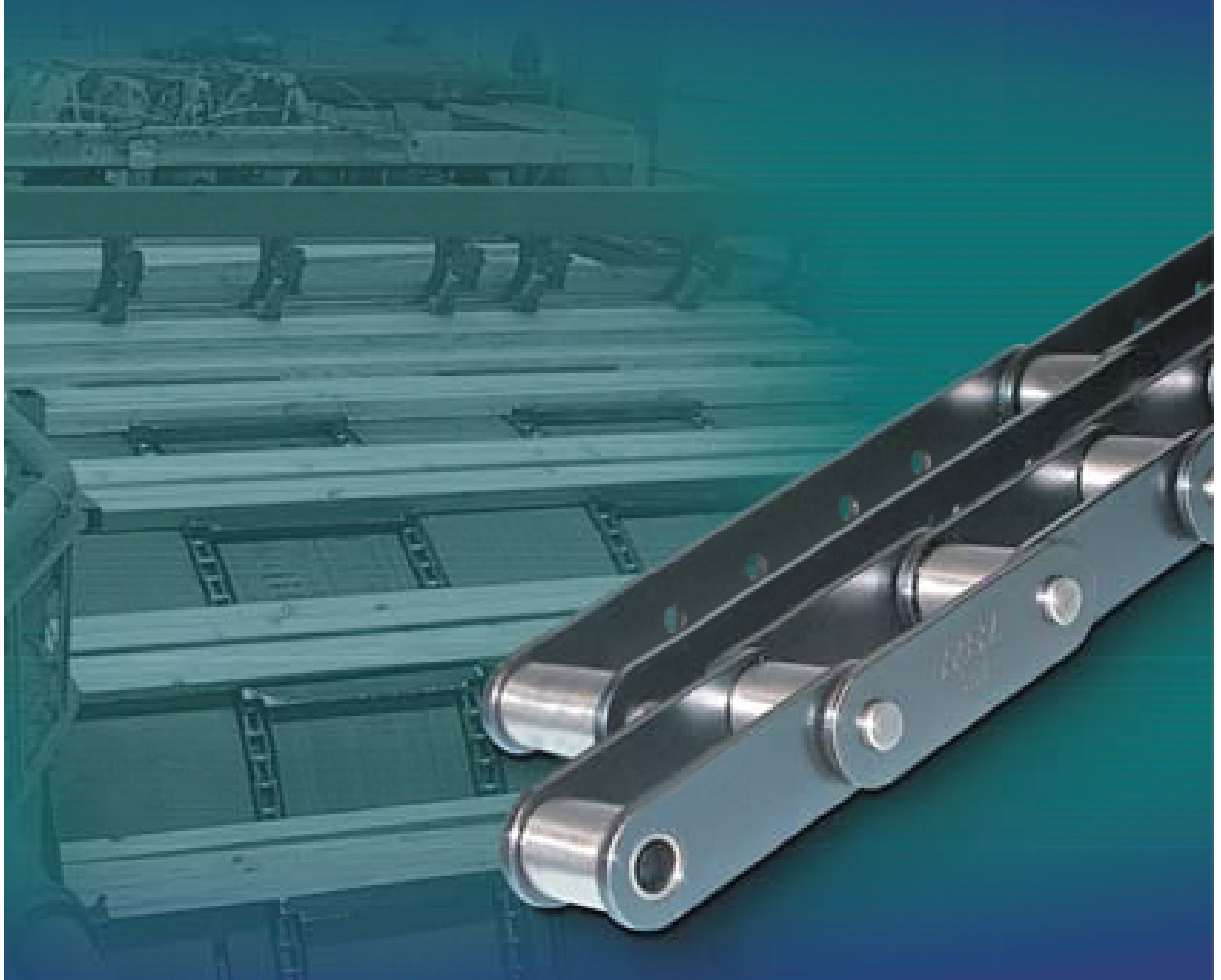


Catalogue No. LCC2006

# RBL

## LUMBER CONVEYOR CHAINS

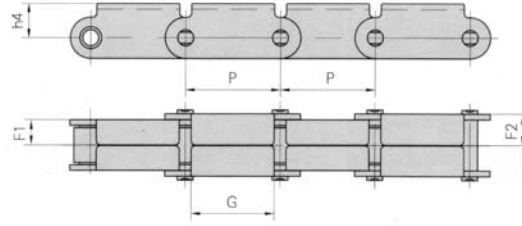


**PTDA**

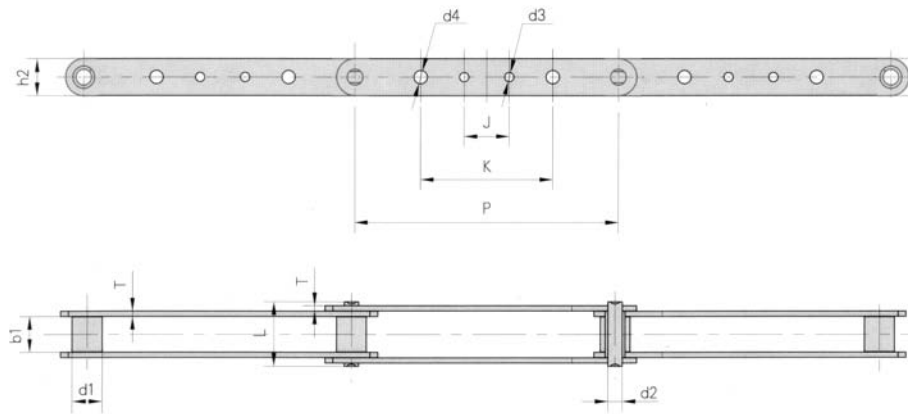
 ringball  
corporation



**TECHNICAL SPECIFICATIONS**  
**LUMBER CONVEYOR CHAINS**



RBL CHAIN No	P		F1	F2	G	h4	Minimum tensile strength		Average tensile strength		Approx Weight (kg/m)
	in	mm	mm	mm	mm	mm	Qmin		Q0		
							kN	LB	kN	LB	
81XRT	2.609	66.27	17.5	21.8	58.0	23.85	127.6	29000	134.0	30450	5.52



RBL CHAIN No.	Dimensions (mm)											Minimum tensile strength	Average tensile strength	Approx Weight (kg/m)			
	Pitch		Width inner plates	Roller diameter	Pin		Plate										
	P		b1	d1	d2	L	h2	d3	d4	J	K				Tmax	Qmin	Q0
	in	mm											kN	LB	kN	LB	
3939	8.000	203.2	27.00	23.00	11.1	49.0	28.58	7.2	7.2	38.1	101.6	4.0	127.6	29000	134.0	30450	2.45

Please contact your local Ringball branch for alternative bolt hole sizes and spacing

These Quality Features are Standard on all



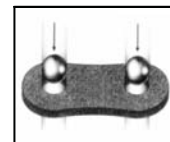
Roller Chains:

- BALL DRIFTING OF HOLES
- SHOT PEENING OF LINK PLATES AND ROLLERS

To help combat fatigue and prevent rapid start up elongation, all our roller chains are pre-stressed and machine run in final assembly

● **Ball drift**

The plate holes are finally ball-burnished to assure maximum resistance to fatigue failure.

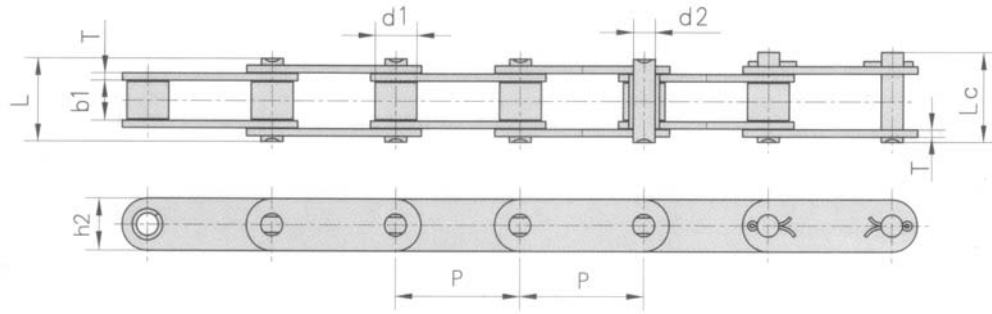


● **Shot peened parts**

Link plates and rollers are shot peened for greater fatigue strength

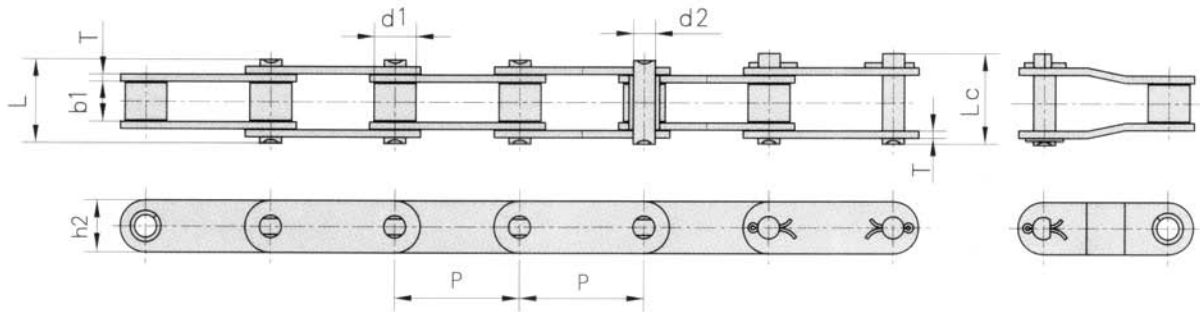


**TECHNICAL SPECIFICATIONS**  
**LUMBER CONVEYOR CHAINS**



RBL CHAIN No.	Dimensions (mm)									Minimum tensile strength		Average tensile strength		Approx Weight (kg/m)
	Pitch		Width inner plates	Roller diameter	Link plate	Link plate height	Pin Dia.	Pin Length		Qmin		Q0		
	in	mm	b1	d1	t/T	h2	d2	L	Lc	kN	LB	kN	LB	
81XS	2.609	66.27	27.00	23.00	4.00	28.50	11.10	49.0	53.5	127.6	29000	134.0	30450	3.78
81XH	2.609	66.27	27.78	23.00	7.94/5.55	31.35	11.10	60.7	65.1	184.8	42000	194.0	44100	5.88
81XHH	2.609	66.27	27.78	23.00	7.94	31.35	11.10	65.6	70.0	211.2	48000	217.5	49440	6.70
Stainless steel (type 304 )														
81X-SS	2.609	66.27	27.00	23.00	4.00	28.50	11.10	49.0	53.5	73.8	16780	77.5	17620	3.83
81XH-SS	2.609	66.27	27.78	23.00	7.94/5.55	31.35	11.10	60.7	65.1	89.4	21340	98.6	22400	5.95

**Small Roller Type**



RBL CHAIN No.	Dimensions (mm)									Minimum tensile strength		Average Tensile Strength		Approx Weight (kg/m)
	Pitch		Width inner plates	Roller diameter	Link plate	Link plate height	Pin Dia.	Pin Length		Qmin		Q0		
	in	mm	b1	d1	t	h2	d2	L	Lc	kN	LB	kN	LB	
C2060H	1.500	38.100	12.57	11.91	3.25	18.0	5.94	29.2	31.6	31.8	7227	41.6	9454	1.44
C2080H	2.000	50.800	15.75	15.88	4.00	24.0	7.92	36.2	39.4	56.7	12886	70.0	15908	2.54
C2100H	2.500	63.500	18.90	19.05	4.80	30.0	9.53	43.6	46.9	88.5	20114	112.4	25546	3.56
C2120H	3.000	76.200	25.22	22.23	5.60	35.7	11.10	53.5	57.5	127.0	28864	160.9	36569	5.26

Alternative dimensions are available, for critical engineering or construction requirements please confirm these dimensions with your local Ringball office



**Vancouver**

7880 Fraser Park Drive  
Burnaby, BC  
V5J 5L8  
T: (604) 294-3461  
F: (604) 294-4680  
E: vancouver@ringball.com

**Edmonton**

7606 McIntyre Road, N.W.  
Edmonton, AB  
T6E 6Z1  
T: (780) 465-3311  
F: (780) 490-4664  
E: edmonton@ringball.com

**Winnipeg**

190 Omads Creek Blvd.  
Winnipeg, MB  
R2R 1V7  
T: (204) 694-1455  
F: (204) 633-7230  
E: winnipeg@ringball.com

**Toronto - H.O.**

2160 Meadowpine Blvd.  
Mississauga, ON  
L5N 6H6  
T: (905) 826-1100  
F: (905) 826-9691  
E: toronto@ringball.com

**Montreal**

2205 rue de l'Aviation  
Dorval, QC  
H9P 2X6  
T: (514) 685-6006  
F: (514) 685-6007  
E: montreal@ringball.com

VISIT OUR WEBSITE: [www.ringball.com](http://www.ringball.com)