



SHAFT COLLARS & COUPLINGS



Solid shaft collar

SC / SSC



Standard Tolerances

Dimensions		Tolerances
Bore	1/8" - 3"	+.001 - +.003
Bore	3" - 4-15/16"	+.001 - +.004

Product Data

Carbon Steel	Bore range 1/8" to 4-15/16"
	Alloy cup point set screw
	Mild Steel-Zinc plate finish
Stainless Steel	Bore range 1/8" to 3"
	S.S. cup point set screw Type 304 S.S. Material

Holding power is achieved by the Set screw engagement into shaft material.

A low cost option when frequent adjustments are not required.

"RBL" Carbon Steel Part #	"RBL" Stainless Steel Part #	BORE "B"	O.D. "D"	Width "W"	SET SCREW SIZE
SC 1/8	SSC 1/8	1/8	0.355	0.250	6-32 x 1/8
SC 3/16	SSC 3/16	3/16	0.418	0.250	8-32 X 1/8
SC 1/4	SSC 1/4	1/4	0.480	0.281	10-32 X 1/8
SC 5/16	SSC 5/16	5/16	0.605	0.313	10-32 X 1/8
SC 3/8	SSC 3/8	3/8	0.730	0.375	1/4-20 X 3/16
SC 7/16	SSC 7/16	7/16	0.855	0.437	1/4-20 X 1/4
SC 1/2	SSC 1/2	1/2	0.980	0.437	1/4-20 X 1/4
SC 9/16	SSC 9/16	9/16	0.980	0.437	1/4-20 X 1/4
SC 5/8	SSC 5/8	5/8	1.105	0.500	5/16-18 X 1/4
SC 11/16	SSC 11/16	11/16	1.230	0.562	5/16-18 X 1/4
SC 3/4	SSC 3/4	3/4	1.230	0.562	5/16-18 X 1/4
SC 13/16	SSC 13/16	13/16	1.480	0.562	5/16-18 X 1/4
SC 7/8	SSC 7/8	7/8	1.480	0.562	5/16-18 X 5/16
SC 15/16	SSC 15/16	15/16	1.605	0.562	5/16-18 X 5/16
SC 1	SSC 1	1	1.605	0.625	5/16-18 X 5/16
SC 1-1/16	SSC 1-1/16	1-1/16	1.730	0.625	5/16-18 X 5/16
SC 1-1/8	SSC 1-1/8	1-1/8	1.730	0.625	5/16-18 X 5/16
SC 1-3/16	SSC 1-3/16	1-3/16	1.975	0.687	3/8-16 X 3/8
SC 1-1/4	SSC 1-1/4	1-1/4	1.975	0.687	3/8-16 X 3/8
SC 1-5/16	SSC 1-5/16	1-5/16	2.100	0.687	3/8-16 X 3/8
SC 1-3/8	SSC 1-3/8	1-3/8	2.100	0.750	3/8-16 X 3/8
SC 1-7/16	SSC 1-7/16	1-7/16	2.225	0.750	3/8-16 X 3/8
SC 1-1/2	SSC 1-1/2	1-1/2	2.225	0.813	3/8-16 X 3/8
SC 1-9/16	SSC 1-9/16	1-9/16	2.480	0.813	3/8-16 X 3/8
SC 1-5/8	SSC 1-5/8	1-5/8	2.480	0.813	3/8-16 X 3/8
SC1-11/16	SSC 1-11/16	1-11/16	2.480	0.813	3/8-16 X 3/8
SC 1-3/4	SSC 1-3/4	1-3/4	2.720	0.875	1/2-13 X 1/2
SC 1-13/16	SSC 1-13/16	1-13/16	2.720	0.875	1/2-13 X 1/2
SC 1-7/8	SSC 1-7/8	1-7/8	2.720	0.875	1/2-13 X 1/2
SC 1-15/16	SSC 1-15/16	1-15/16	2.975	0.875	1/2-13 X 1/2
SC 2	SSC 2	2	2.975	0.875	1/2-13 X 1/2
SC 2-1/8	SSC 2-1/8	2-1/8	2.975	0.875	1/2-13 X 1/2
SC 2-3/16	SSC 2-3/16	2-3/16	3.225	0.937	1/2-13 X 1/2
SC 2-1/4	SSC 2-1/4	2-1/4	3.225	0.937	1/2-13 X 1/2
SC 2-5/16	SSC 2-5/16	2-5/16	3.225	0.937	1/2-13 X 1/2
SC 2-3/8	SSC 2-3/8	2-3/8	3.225	0.937	1/2-13 X 1/2
SC 2-7/16	SSC 2-7/16	2-7/16	3.470	1.000	1/2-13 X 1/2
SC 2-1/2	SSC 2-1/2	2-1/2	3.470	1.000	1/2-13 X 1/2
SC 2-9/16	SSC 2-9/16	2-9/16	3.720	1.125	1/2-13 X 9/16
SC 2-5/8	SSC 2-5/8	2-5/8	3.720	1.125	1/2-13 X 9/16
SC 2-11/16	SSC 2-11/16	2-11/16	3.970	1.125	1/2-13 X 5/8
SC 2-3/4	SSC 2-3/4	2-3/4	3.970	1.125	1/2-13 X 5/8
SC 2-13/16	SSC 2-13/16	2-13/16	3.970	1.125	1/2-13 X 5/8
SC 2-7/8	SSC 2-7/8	2-7/8	4.220	1.125	1/2-13 X 5/8
SC 2-15/16	SSC 2-15/16	2-15/16	4.220	1.125	1/2-13 X 5/8
SC 3	SSC 3	3	4.220	1.125	1/2-13 X 5/8
SC 3-3/16	***	3-3/16	4.220	1.125	1/2-13 X 5/8
SC 3-7/16	***	3-7/16	4.470	1.125	1/2-13 X 5/8
SC 3-15/16	***	3-15/16	4.970	1.125	1/2-13 X 5/8
SC 4-7/16	***	4-7/16	5.970	1.375	5/8-11 X 3/4
SC 4-15/16	***	4-15/16	6.400	1.375	5/8-11 X 3/4



Double split shaft collar

2SC / 2SSC



Standard Tolerances

Dimensions		Tolerances
Bore	1/8" - 3"	+0.001 - +0.003
Bore	3" - 3 -15/16"	+0.001 - +0.004

Product Data

Carbon Steel	Bore range 1/8" to 3 -15/16"
	Alloy cup set screw Mild Steel-Zinc plate finish
Stainless Steel	Bore range 1/8" to 3" S.S. cup set screw Type 304 S.S. Material

"RBL" Carbon Steel Part #	"RBL" Stainless Steel Part #	Bore "B"	O.D. "D"	Width "W"	Cap Screw Size
2SC 1/8	2SSC 1/8	1/8	1/2	1/4	4-40 X 3/8
2SC 3/16	2SSC 3/16	3/16	5/8	5/16	4-40 X 3/8
2SC 1/4	2SSC 1/4	1/4	11/16	5/16	4-40 X 3/8
2SC 5/16	2SSC 5/16	5/16	11/16	5/16	4-40 X 3/8
2SC 3/8	2SSC 3/8	3/8	7/8	11/32	6-32 X 3/8
2SC 7/16	2SSC 7/16	7/16	15/16	3/8	6-32 X 3/8
2SC 1/2	2SSC 1/2	1/2	1-1/8	13/32	8-32 X 1/2
2SC 9/16	2SSC 9/16	9/16	1-1/4	7/16	10-32 X 1/2
2SC 5/8	2SSC 5/8	5/8	1-5/16	7/16	10-32 X 1/2
2SC 11/16	2SSC 11/16	11/16	1-3/8	7/16	10-32 X 1/2
2SC 3/4	2SSC 3/4	3/4	1-1/2	1/2	1/4-28 X 5/8
2SC 13/16	2SSC 13/16	13/16	1-5/8	1/2	1/4-28 X 5/8
2SC 7/8	2SSC 7/8	7/8	1-5/8	1/2	1/4-28 X 5/8
2SC 15/16	2SSC 15/16	15/16	1-3/4	1/2	1/4-28 X 5/8
2SC 1	2SSC 1	1	1-3/4	1/2	1/4-28 X 5/8
2SC 1-1/16	2SSC 1-1/16	1-1/16	1-7/8	1/2	1/4-28 X 5/8
2SC 1-1/8	2SSC 1-1/8	1-1/8	1-7/8	1/2	1/4-28 X 5/8
2SC 1-3/16	2SSC 1-3/16	1-3/16	2-1/16	1/2	1/4-28 X 5/8
2SC 1-1/4	2SSC 1-1/4	1-1/4	2-1/16	1/2	1/4-28 X 5/8
2SC 1-5/16	2SSC 1-5/16	1-5/16	2-1/8	9/16	1/4-28 X 5/8
2SC 1-3/8	2SSC 1-3/8	1-3/8	2-1/4	9/16	1/4-28 X 5/8
2SC 1-7/16	2SSC 1-7/16	1-7/16	2-1/4	9/16	1/4-28 X 5/8
2SC 1-1/2	2SSC 1-1/2	1-1/2	2-3/8	9/16	1/4-28 X 5/8
2SC 1-9/16	2SSC 1-9/16	1-9/16	2-3/8	9/16	1/4-28 X 5/8
2SC 1-5/8	2SSC 1-5/8	1-5/8	2-5/8	11/16	5/16-24 X 7/8
2SC 1-11/16	2SSC 1-11/16	1-11/16	2-3/4	11/16	5/16-24 X 7/8
2SC 1-3/4	2SSC 1-3/4	1-3/4	2-3/4	11/16	5/16-24 X 7/8
2SC 1-13/16	2SSC 1-13/16	1-13/16	2-7/8	11/16	5/16-24 X 7/8
2SC 1-7/8	2SSC 1-7/8	1-7/8	2-7/8	11/16	5/16-24 X 7/8
2SC 1-15/16	2SSC 1-15/16	1-15/16	3	11/16	5/16-24 X 7/8
2SC 2	2SSC 2	2	3	11/16	5/16-24 X 7/8
2SC 2-1/16	2SSC 2-1/16	2-1/16	3-1/8	3/4	5/16-24 X 7/8
2SC 2-1/8	2SSC 2-1/8	2-1/8	3-1/4	3/4	5/16-24 X 7/8
2SC 2-3/16	2SSC 2-3/16	2-3/16	3-1/4	3/4	5/16-24 X 7/8
2SC 2-1/4	2SSC 2-1/4	2-1/4	3-1/4	3/4	5/16-24 X 7/8
2SC 2-5/16	2SSC 2-5/16	2-5/16	3-3/8	3/4	5/16-24 X 7/8
2SC 2-3/8	2SSC 2-3/8	2-3/8	3-1/2	3/4	5/16-24 X 7/8
2SC 2-7/16	2SSC 2-7/16	2-7/16	3-1/2	3/4	5/16-24 X 7/8
2SC 2-1/2	2SSC 2-1/2	2-1/2	3-3/4	7/8	3/8-24 X 7/8
2SC 2-9/16	2SSC 2-9/16	2-9/16	3-7/8	7/8	3/8-24 X 7/8
2SC 2-5/8	2SSC 2-5/8	2-5/8	3-7/8	7/8	3/8-24 X 7/8
2SC 2-11/16	2SSC 2-11/16	2-11/16	4	7/8	3/8-24 X 7/8
2SC 2-3/4	2SSC 2-3/4	2-3/4	4	7/8	3/8-24 X 7/8
2SC 2-13/16	2SSC 2-13/16	2-13/16	4-1/4	7/8	3/8-24 X 7/8
2SC 2-7/8	2SSC 2-7/8	2-7/8	4-1/4	7/8	3/8-24 X 7/8
2SC 2-15/16	2SSC 2-15/16	2-15/16	4-1/4	7/8	3/8-24 X 7/8
2SC 3	2SSC 3	3	4-1/4	7/8	3/8-24 X 7/8
2SC 3-3/16		3-3/16	4-1/2	7/8	3/8-24 X 7/8
2SC 3-7/16		3-7/16	4-3/4	7/8	3/8-24 X 7/8
2SC 3-1/2		3-1/2	4-3/4	7/8	3/8-24 X 7/8
2SC 3-15/16		3-15/16	5-1/4	7/8	3/8-24 X 7/8

Single split shaft collar

CSC / CSSC



"RBL" Carbon Steel Part #	"RBL" Stainless Steel Part #	Bore "B"	O.D. "D"	Width "W"	Cap Screw Size
CSC 1/8	CSSC 1/8	1/8	1/2	1/4	4-40 X 3/8
CSC 3/16	CSSC 3/16	3/16	5/8	5/16	4-40 X 3/8
CSC 1/4	CSSC 1/4	1/4	11/16	5/16	4-40 X 3/8
CSC 5/16	CSSC 5/16	5/16	11/16	5/16	4-40 X 3/8
CSC 3/8	CSSC 3/8	3/8	7/8	11/32	6-32 X 3/8
CSC 7/16	CSSC 7/16	7/16	15/16	3/8	6-32 X 3/8
CSC 1/2	CSSC 1/2	1/2	1-1/8	13/32	8-32 X 1/2
CSC 9/16	CSSC 9/16	9/16	1-1/4	7/16	10-32 X 1/2
CSC 5/8	CSSC 5/8	5/8	1-5/16	7/16	10-32 X 1/2
CSC 11/16	CSSC 11/16	11/16	1-3/8	7/16	10-32 X 1/2
CSC 3/4	CSSC 3/4	3/4	1-1/2	1/2	1/4-28 X 5/8
CSC 13/16	CSSC 13/16	13/16	1-5/8	1/2	1/4-28 X 5/8
CSC 7/8	CSSC 7/8	7/8	1-5/8	1/2	1/4-28 X 5/8
CSC 13/16	CSSC 13/16	15/16	1-3/4	1/2	1/4-28 X 5/8
CSC 1	CSSC 1	1	1-3/4	1/2	1/4-28 X 5/8
CSC 1-1/16	CSSC 1-1/16	1-1/16	1-7/8	1/2	1/4-28 X 5/8
CSC 1-1/8	CSSC 1-1/8	1-1/8	1-7/8	1/2	1/4-28 X 5/8
CSC 1-3/16	CSSC 1-3/16	1-3/16	2-1/16	1/2	1/4-28 X 5/8
CSC 1-1/4	CSSC 1-1/4	1-1/4	2-1/16	1/2	1/4-28 X 5/8
CSC 1-5/16	CSSC 1-5/16	1-5/16	2-1/8	9/16	1/4-28 X 5/8
CSC 1-3/8	CSSC 1-3/8	1-3/8	2-1/4	9/16	1/4-28 X 5/8
CSC 1-7/16	CSSC 1-7/16	1-7/16	2-1/4	9/16	1/4-28 X 5/8
CSC 1-1/2	CSSC 1-1/2	1-1/2	2-3/8	9/16	1/4-28 X 5/8
CSC 1-9/16	CSSC 1-9/16	1-9/16	2-3/8	9/16	1/4-28 X 5/8
CSC 1-5/8	CSSC 1-5/8	1-5/8	2-5/8	11/16	5/16-24 X 7/8
CSC 1-11/16	CSSC 1-11/16	1-11/16	2-3/4	11/16	5/16-24 X 7/8
CSC 1-3/4	CSSC 1-3/4	1-3/4	2-3/4	11/16	5/16-24 X 7/8
CSC 1-13/16	CSSC 1-13/16	1-13/16	2-7/8	11/16	5/16-24 X 7/8
CSC 1-7/8	CSSC 1-7/8	1-7/8	2-7/8	11/16	5/16-24 X 7/8
CSC 1-15/16	CSSC 1-15/16	1-15/16	3	11/16	5/16-24 X 7/8
CSC 2	CSSC 2	2	3	11/16	5/16-24 X 7/8
CSC 2-1/16	CSSC 2-1/16	2-1/16	3-1/8	3/4	5/16-24 X 7/8
CSC 2-1/8	CSSC 2-1/8	2-1/8	3-1/4	3/4	5/16-24 X 7/8
CSC 2-3/16	CSSC 2-3/16	2-3/16	3-1/4	3/4	5/16-24 X 7/8
CSC 2-1/4	CSSC 2-1/4	2-1/4	3-1/4	3/4	5/16-24 X 7/8
CSC 2-5/16	CSSC 2-5/16	2-5/16	3-3/8	3/4	5/16-24 X 7/8
CSC 2-3/8	CSSC 2-3/8	2-3/8	3-1/2	3/4	5/16-24 X 7/8
CSC 2-7/16	CSSC 2-7/16	2-7/16	3-1/2	3/4	5/16-24 X 7/8
CSC 2-1/2	CSSC 2-1/2	2-1/2	3-3/4	7/8	3/8-24 X 7/8
CSC 2-9/16	CSSC 2-9/16	2-9/16	3-7/8	7/8	3/8-24 X 7/8
CSC 2-5/8	CSSC 2-5/8	2-5/8	3-7/8	7/8	3/8-24 X 7/8
CSC 2-11/16	CSSC 2-11/16	2-11/16	4	7/8	3/8-24 X 7/8
CSC 2-3/4	CSSC 2-3/4	2-3/4	4	7/8	3/8-24 X 7/8
CSC 2-13/16	CSSC 2-13/16	2-13/16	4-1/4	7/8	3/8-24 X 7/8
CSC 2-7/8	CSSC 2-7/8	2-7/8	4-1/4	7/8	3/8-24 X 7/8
CSC 2-15/16	CSSC 2-15/16	2-15/16	4-1/4	7/8	3/8-24 X 7/8
CSC 3	CSSC 3	3	4-1/4	7/8	3/8-24 X 7/8
CSC 3-3/16	CSSC 3-3/16	3-3/16	4-1/2	7/8	3/8-24 X 7/8
CSC 3-7/16	CSSC 3-7/16	3-7/16	4-3/4	7/8	3/8-24 X 7/8
CSC 3-1/2	CSSC 3-1/2	3-1/2	4-3/4	7/8	3/8-24 X 7/8
CSC 3-13/16	CSSC 3-13/16	3-13/16	5-1/16	7/8	3/8-24 X 7/8
CSC 3-15/16	CSSC 3-15/16	3-15/16	5-1/4	7/8	3/8-24 X 7/8

Standard Tolerances

Dimensions		Tolerances
Bore	1/8" - 3"	+0.001 - +.003
Bore	3" - 3-15/16"	+0.001 - +.004

Product Data

Carbon Steel	Bore range 1/8" to 3-15/16"
	Alloy cup point set screw Mild Steel-Zinc plate finish
Stainless Steel	Bore range 1/8" to 3"
	S.S. cup point set screw Type 304 S.S. Material



Threaded single split shaft collar

TCSC



"RBL" Carbon Steel Part #	Bore "B"	O.D. "D"	Width "W"	Cap Screw Size
CSC 1/4-20	1/4"-20	11/16	5/16	4-40 X 3/8
CSC 1/4-28	1/4"-28	11/16	5/16	4-40 X 3/8
CSC 5/16-18	5/16"-18	11/16	5/16	4-40 X 3/8
CSC 5/16-24	5/16"-24	11/16	5/16	4-40 X 3/8
CSC 3/8-16	3/8"-16	7/8	3/8	6-32 X 3/8
CSC 3/8-24	3/8"-24	7/8	3/8	6-32 X 3/8
CSC 1/2-13	1/2"-13	1-1/8	13/32	8-32 X 1/2
CSC 1/2-20	1/2"-20	1-1/8	13/32	8-32 X 1/2
CSC 5/8-11	5/8"-11	1-5/16	7/16	10-32 X 1/2
CSC 5/8-18	5/8"-18	1-5/16	7/16	10-32 X 1/2
CSC 3/4-10	3/4"-10	1-1/2	1/2	1/4-28 X 5/8
CSC 3/4-15	3/4"-15	1-1/2	1/2	1/4-28 X 5/8
CSC 7/8-9	7/8"-9	1-5/8	1/2	1/4-28 X 5/8
CSC 7/8-14	7/8"-14	1-5/8	1/2	1/4-28 X 5/8
CSC 1-8	1"-8	1-3/4	1/2	1/4-28 X 5/8
CSC 1-14	1"-14	1-3/4	1/2	1/4-28 X 5/8
CSC 1 1/4-7	1 1/4"-7	2-1/16	1/2	1/4-28 X 5/8
CSC 1 1/4-12	1 1/4"-12	2-1/16	1/2	1/4-28 X 5/8
CSC 1 1/2-6	1 1/2"-6	2-3/8	9/16	1/4-28 X 5/8
CSC 1 1/2-12	1 1/2"-12	2-3/8	9/16	1/4-28 X 5/8
CSC 2-12	2"-12	3	11/16	5/16-24 X 7/8

Standard Tolerances

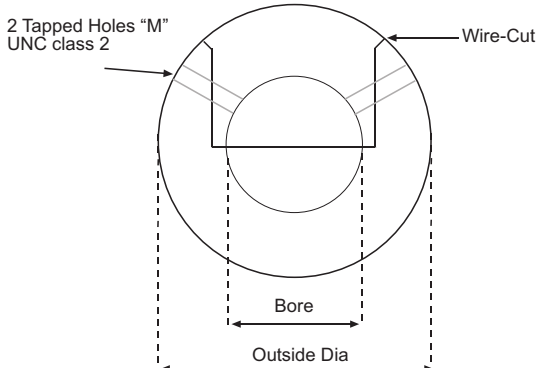
Dimensions		Tolerances
Bore	1/8" - 1"	+0.001 - +.003
Bore	1-1/4" - 2"	+0.001 - +.004

Product Data

Carbon Steel	Bore range 1/4"-20 to 2"-12 Alloy cap screw Mild Steel-Black oxide finish
--------------	---

Heavy duty split shaft collar

SPLIT SC



"RBL" Part #	Bore "B"	O.D. "D"	Width "W"	SET Screw Size
SPLIT SC X 1-7/16	1-7/16	2.87	3/4	2 x 3/8
SPLIT SC X 1-15/16	1-15/16	3.87	1	2 x 1/2
SPLIT SC X 2-3/16	2-3/16	4.12	1	2 x 1/2
SPLIT SC X 2-7/16	2-7/16	4.62	1	2 x 1/2
SPLIT SC X 2-15/16	2-15/16	5.12	1-1/8	2 x 1/2
SPLIT SC X 3-7/16	3-7/16	5.62	1-1/4	2 x 1/2
SPLIT SC X 3-15/16	3-15/16	6.37	1-1/4	2 x 5/8
SPLIT SC X 4-7/16	4-7/16	6.87	1-3/8	2 x 5/8
SPLIT SC X 4-15/16	4-15/16	7.87	1-3/8	2 x 5/8
SPLIT SC X 5-7/16	5-7/16	8.37	1-3/8	2 x 5/8
SPLIT SC X 5-15/16	5-15/16	9.12	1-3/8	2 x 5/8

Standard Tolerances

Dimensions	Tolerance
Bore	1-7/16 - 5-15/16 -.000 / +.006

Product Data

SPLIT SC	Bore Range 1-7/16 - 5-15/16 Carbon Steel- 2 Set Screws
----------	---

Solid Rigid Couplings

RC / RC-KW



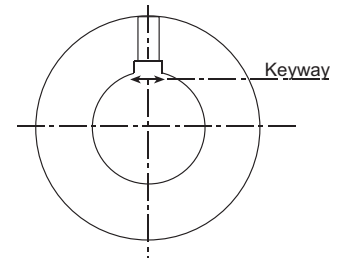
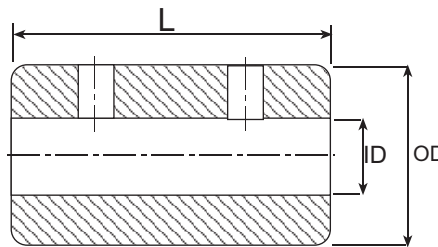
RBL Rigid Coupling "No Keyway"	RBL Rigid Coupling "With Keyway"	Bore "B"	O.D. "D"	Length "L"	SET SCREW SIZE
RC 025	RC 025-KW	1/4	1/2	3/4	10-32 X 1/8
RC 031	RC 031-KW	5/16	5/8	1	10-32 X 1/8
RC 037	RC 037-KW	3/8	3/4	1	1/4-20 X 3/16
RC 050	RC 050-KW	1/2	1	1-1/2	1/4-20 X 1/4
RC 062	RC 062-KW	5/8	1-1/4	2	5/16-18 X 1/4
RC 075	RC 075-KW	3/4	1-1/2	2	5/16-18 X 5/16
RC 087	RC 087-KW	7/8	1-3/4	2	5/16-18 X 5/16
RC 100	RC 100-KW	1	2	3	3/8-16 X 3/8
RC 112	RC 112-KW	1-1/8	2-1/8	3	3/8-16 X 3/8
RC 125	RC 125-KW	1-1/4	2-1/4	4	3/8-16 X 3/8

Standard Tolerance

Dimensions	Tolerances
Bore 1/8" - 7/8"	+0.001 - +.003
Bore 1" - 1-1/4"	+0.001 - +.004

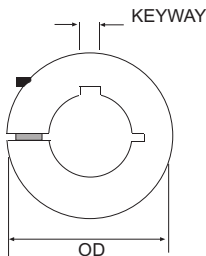
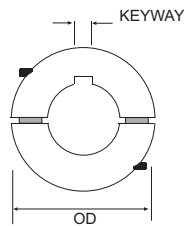
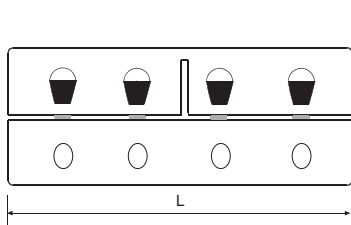
Product Data

	Bore range 1/4" to 1-1/4"
Carbon Steel	Alloy cap screw
	Mild Steel-Black oxide finish



Split Rigid Couplings

1RC-KW / 2RC-KW



RBL Rigid Coupling "1 Pc Split"	RBL Rigid Coupling "2 Pc Split"	Bore "B"	O.D. "D"	Length "L"	CAP SCREW SIZE
1 RC 025-KW	2 RC 025-KW	1/4	1/2	3/4	4-40 X 3/8
1 RC 031-KW	2 RC 031-KW	5/16	5/8	1	4-40 X 3/8
1 RC 037-KW	2 RC 037-KW	3/8	3/4	1	6-32 X 3/8
1 RC 050-KW	2 RC 050-KW	1/2	1	1-1/2	8-32 X 1/2
1 RC 062-KW	2 RC 062-KW	5/8	1-1/4	2	10-32 X 1/2
1 RC 075-KW	2 RC 075-KW	3/4	1-1/2	2	1/4-28 X 5/8
1 RC 087-KW	2 RC 087-KW	7/8	1-3/4	2	1/4-28 X 5/8
1 RC 100-KW	2 RC 100-KW	1	2	3	1/4-28 X 5/8
1 RC 112-KW	2 RC 112-KW	1-1/8	2-1/8	3	1/4-28 X 5/8
1 RC 125-KW	2 RC 125-KW	1-1/4	2-1/4	4	1/4-28 X 3/4

Standard Tolerance

Dimensions	Tolerances
Bore 1/8" - 7/8"	+0.001 - +.003
Bore 1" - 1-1/4"	+0.001 - +.004

Product Data

	Bore range 1/4" to 1-1/4"
Carbon Steel	Alloy cap screw
	Mild Steel-Black oxide finish





Jaw type flexible couplings

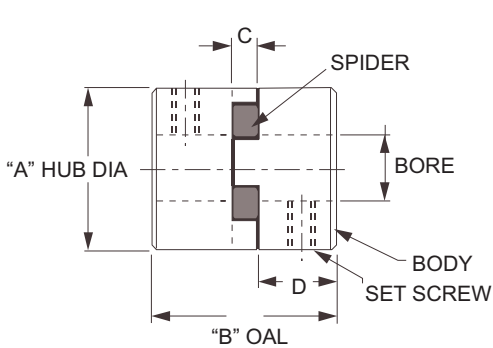
L-type



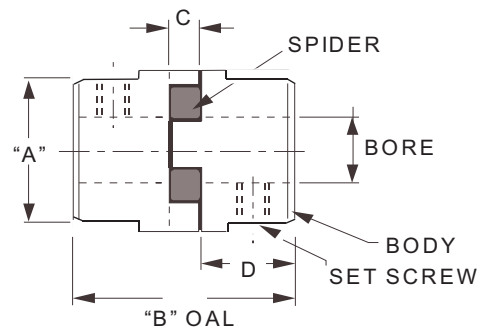
Coupling Size	Type	Bore Range	Outside Dia. "OD"	Hub Dia "A"	Overall Length "B"	Gap "C"	LTB "D"	Screw Size	Torque Rating in Lbs	Horsepower capacity at various "RPM"			
										100	1200	1800	3600
L035	1	1/4"-7/16"	5/8	5/8	13/16	9/32	17/64	6-32	3.5	0.006	0.07	0.10	0.20
L050	1	1/4"-5/8"	1 5/16	1 5/16	1 23/32	15/32	5/8	1/4"-20	26	0.042	0.50	0.75	1.50
L070	1	1/4"-3/4"	1 23/64	1 23/64	2	1/2	3/4	1/4"-20	42	0.070	0.84	1.23	2.52
L075	1	1/4"-7/8"	1 3/4	1 3/4	2 1/8	1/2	13/16	1/4"-20	90	0.140	1.68	2.57	5.04
L090	1	1/4"-1"	2 7/64	2 7/64	2 1/8	1/2	13/16	1/4"-20	144	0.230	2.76	4.11	8.28
L095	1	3/8"-1 1/8"	2 7/64	2 7/64	2 1/2	1/2	1	5/16"-18	144	0.310	3.72	5.50	11.10
L099	1	7/16"-1 3/16"	2 17/32	2 17/32	2 7/8	3/4	1 1/16	5/16"-18	318	0.500	6.00	9.00	18.00
L100	1	7/16"-1 7/16"	2 17/32	2 17/32	3 1/2	3/4	1 3/8	5/16"-18	417	0.660	7.90	11.90	23.75
L110	1	5/8"- 1 5/8"	3 5/16	3 5/16	4 1/4	7/8	1 11/16	3/8"-16	792	1.250	15.10	23.00	45.25
L150	1	5/8"- 1 7/8"	3 3/4	3 3/4	4 1/2	1	1 3/4	3/8"-16	1240	2.000	24.00	35.00	72.00
L190	2	3/4"-2 1/8"	4 1/2	4	5 1/4	1	2 1/8	1/2"-13	1726	2.700	32.40	49.00	97.00
L225	2	7/8"-2 3/8"	5	4 1/4	6	1	2 1/2	1/2"-13	2340	3.700	44.00	67.00	133.00

* Torque ratings based on Buna-N rubber insert and service factor of one.

* All dimensions are in inches.



TYPE 1



TYPE 2

Product Data (Material)

All Types
L035, L050, L070 Sintered Steel
L075-L225 Iron cast GG25

Standard Tolerances

Dimensions	Tolerance
Bore 3/16" to 2"	+0.001 / - .000
Bore 2-1/16" to 2-3/8"	+0.0015 / -.000



Standard bore Keyway Chart

Bore	Keyway	LO35	L050	L070	L075	L090	L095	L099	L100	L110	L150	L190	L225
1/8"	No Keyway	X											
3/16"	No Keyway	X											
1/4"	No Keyway	X	X	X	X	X							
5/16"	No Keyway	X	X	X	X	X							
3/8"	No Keyway	X	X	X	X	X	X						
3/8"	1/8" x 1/16"		X			X							
7/16"	No Keyway	X	X	X	X	X	X	X	X				
7/16"	1/8" x 1/16"					X	X	X	X				
1/2"	No Keyway		X	X	X	X		X	X				
1/2"	1/8" x 1/16"		X	X	X	X	X	X	X				
9/16"	1/8" x 1/16"		X	X	X	X	X	X	X				
5/8"	3/16 x 3/32"		X	X	X	X	X	X	X	X	X		
11/16"	3/16 x 3/32"			X	X	X	X	X	X	X	X		
3/4"	3/16 x 3/32"			X	X	X	X	X	X	X	X	X	X
7/8"	3/16 x 3/32"				X	X	X	X	X	X	X	X	X
15/16"	1/4" x 1/8"					X	X	X	X	X	X	X	X
1"	1/4" x 1/8"					X	X	X	X	X	X	X	X
1 1/16"	1/4" x 1/8"						X	X	X	X	X	X	X
1 1/8"	1/4" x 1/8"						X	X	X	X	X	X	X
1 3/16"	1/4" x 1/8"							X	X	X	X	X	X
1 1/4"	5/16" x 5/32"								X	X	X	X	X
1 3/8"	5/16" x 5/32"								X	X	X	X	X
1 7/16"	3/8" x 3/16"								X	X	X	X	X
1 1/2"	3/8" x 3/16"									X	X	X	X
1 5/8"	3/8" x 3/16"									X	X	X	X
1 3/4"	3/8" x 3/16"										X	X	X
1 7/8"	1/2" x 1/4"										X	X	X
1 15/16"	1/2" x 1/4"											X	X
2"	1/2" x 1/4"											X	X
2 1/8"	1/2" x 1/4"											X	X
2 3/8"	5/8" x 5/16"												X
2 5/8"	5/8" x 5/16"												X

Spider Performance Data						
Type	Description	Temp Range	Misalignment Information		Dampening	Color
			Angular Deg.	Parallel Inch		
Buna N	Standard-Flexible	-40 C to +100C	1	.015"	High	Black
Urethane U	Higher Torque	-30 C to +70 C	1	.015"	Low	White
Hytrel H	High Torque & Heat	-50C to + 120C	1/2	.015"	Low	Brown
Bronze B	Rigid - Slow Speed	-40C to +230C	1/2	.010"	None	Bronze

Service Factors	
Load Type	Service Factor
Uniform Load - No Shock	1.00
Reversing / Uneven Load - Light Shock	1.75
Sudden Stops / Starts - Heavy Shock	2.50

Design Calculations	
Nominal Torque =	(HP x 63025)
(NM)	RPM
Design Torque =	NM x Service Factor



Interchange and Technical data

RBL	CLIMAX	RULAND	STAFFORD	BOSTON	LOVEJOY
SC1	C-100	SC16-F	6L100P2	SC100	LSC-16 17521
SSC1	C-100-S	SC16-SS	6S100	SSC100	LSC-16 17585
CSC1	H1C-100		1L100	CSC100	
CSSC1	H1C-100-S		1S100	CSSC100	
2SC1	H2C-100		2L100	2SC100	
2SSC1	H2C-100-S		2S100	2SSC100	
TCSC 1000-08	ISTC-100-08	TCL-16-8-F	7L100C		
RC100	RC-100	SCX-16-16-F		CR16	
RC100-KW	RC-100-KW	SCC-16-16-F		SC-1000	
1RC100-KW	ISCC-100-100-KW	CLC-16-16-F	7L100100K		
2RC100-KW	2ISCC-100-100KW	SPC-16-16-F	7L100100FK		

Interchanges are for comparison only. Dimensions may vary

Tolerances - Collars		
Dimension	Type	Tolerance
Bore	Specified on individual pages of catalogue	
Outside Diameter	Solid Setscrew Collars 3/8" to 1" O.D.	+ .000" / - .010"
	Solid Setscrew Collars 1-1/8" to 4" O.D.	+ .000" / - .012"
	Split Clamp Collars 5/8" to 7-1/2" O.D.	+ .000" / - .015"
	H.D. Split SC Collars 2" to 10" O.D.	+ .000" / - .010"
Width	All Types & Sizes	+ / - .005"

Tolerances - Couplings		
Bore	All Types & Sizes	+ .001" / + .003"
Outside Diameter	All Types & Sizes	+ .000" / - .015"
Length	All Types & Sizes	+ / - .005"
Keyway Width	All Types & Sizes	+ .003" / - .000"

Socket Set Screw Solid / Split Sc Collars	
Set Screw Size	Axial Load Pounds
6-32	250
8-32	390
10-32	525
1/4-20	950
5/16-18	1500
5/16-24	1500
3/8-16	2100
1/2-13	3000
5/8-11	4000

Socket Cap Screw Recommended Seating Torque- In/Lbs			
Set Screw Size	Steel	Stainless	
4-40	15	8	
6-32	25	15	
8-32	50	30	
10-32	75	45	
1/4-28	175	115	
5/16-24	340	200	
3/8-24	600	350	

Socket Cap Screw Clamp Collars	
Cap Screw Size	Axial Load Pounds
4-40	200
6-32	500
8-32	900
10-32	1700
1/4-28	2600
5/16-24	6100
3/8-24	7200

Socket Set Screw Recommended Seating Torque- In/Lbs		
Set Screw Size	Steel	Stainless
6-32	10	7
8-32	20	15
10-32	35	25
1/4-20	90	70
5/16-18	170	135
5/16-24	170	135
3/8-16	300	235
1/2-13	625	500
5/8-11	1200	NA

- Axial Load data is based on Alloy type screws- Stainless Steel products have reduced load capacities.
- Set screw axial load ratings are based on a single set screw only. Axial loads can be increased by adding second screw.
- **The data shown is for reference only, for critical engineering or construction requirements please confirm these dimensions with your local Ringball branch.**