

**NEWAY TRUCK & SAF TRAILER SUSPENSIONS
(FORMER HOLLAND & BINKLEY)**
ORIGINAL PARTS CATALOG



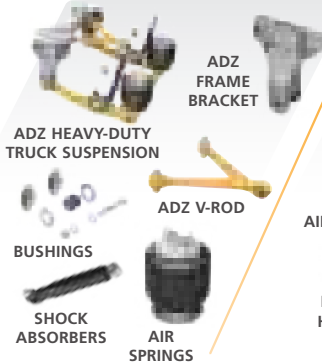
FRONT TO BACK

SAF-HOLLAND ORIGINAL PARTS



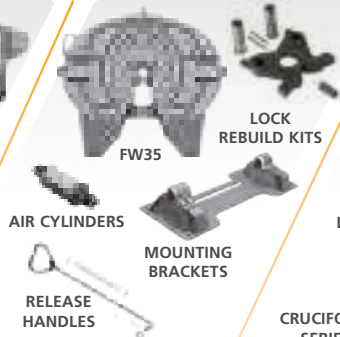
NEWAY

SUSPENSIONS



Holland

FIFTH WHEELS



Holland

KINGPINS



SAF

SUSPENSIONS



Holland

LANDING GEAR



Holland

COUPLINGS



Holland

BUMPER TUBES



Call 800.876.3929
safholland.us

SAF-Holland
ORIGINAL PARTS™

SAF **Holland** **NEWAY**

ORIGINAL SERVICE PARTS TO KEEP YOU ROLLING

TRUCK & BUS SUSPENSION PARTS

HOLLAND (AND FORMER NEWAY)

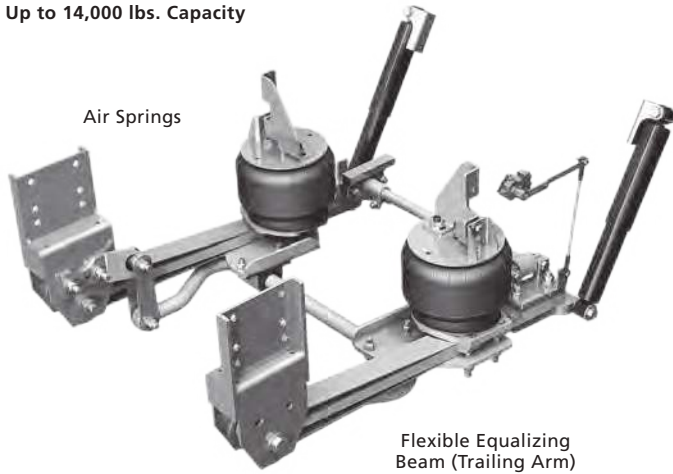


SAF-Holland
ORIGINAL PARTS™

AS/ASB Series

Up to 14,000 lbs. Capacity

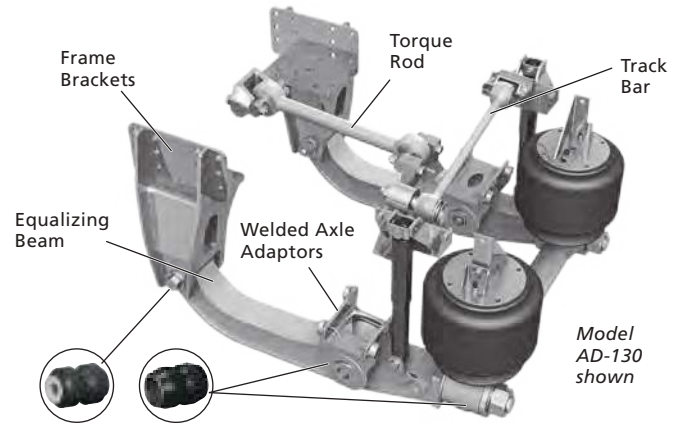
SEE PAGE 1-4



AD Series

Up to 30,000 lbs. Capacity

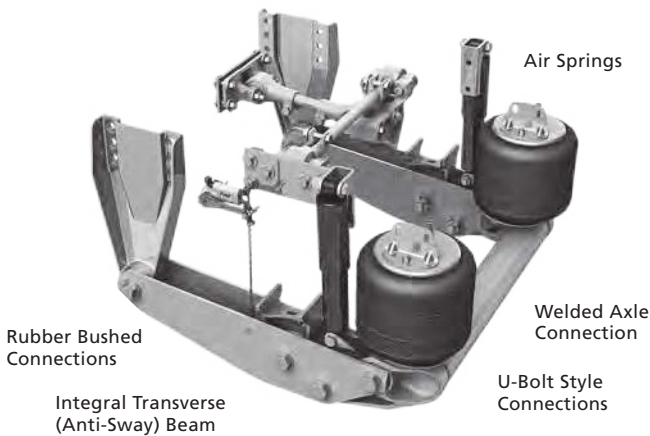
SEE PAGE 1-8



ADL/ADLSD Series

ADL: Up to 20,000 lbs. Capacity
ADLSD: Up to 23,000 lbs. Capacity

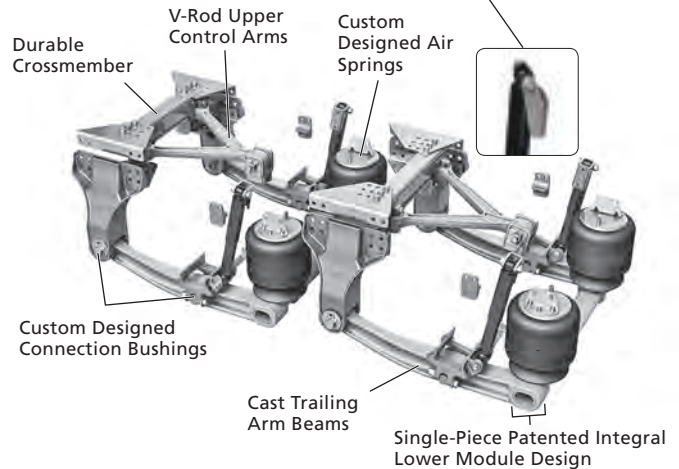
SEE PAGE 1-18



ADZ Series

Up to 78,000 lbs. Capacity

Optional Fifth Wheel Compatible Shock Bracket SEE PAGE 1-22

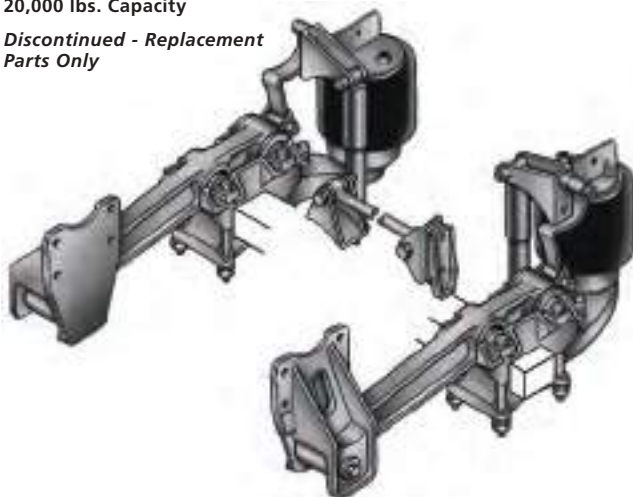


ARDAB

20,000 lbs. Capacity

Discontinued - Replacement Parts Only

SEE PAGE 1-48

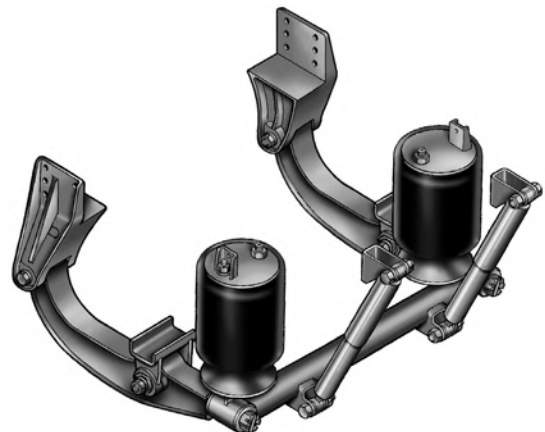


ARDST/ARDSTM/L Series

26,000 lbs. Capacity

Discontinued - Replacement Parts Only

SEE PAGE 1-54

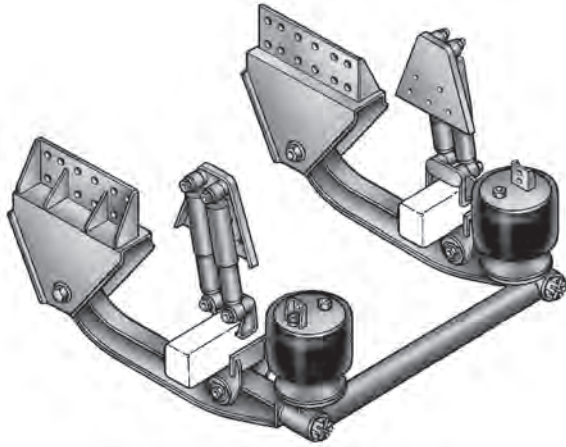


ARDTB

25,000 lbs. Capacity

Discontinued - Replacement Parts Only

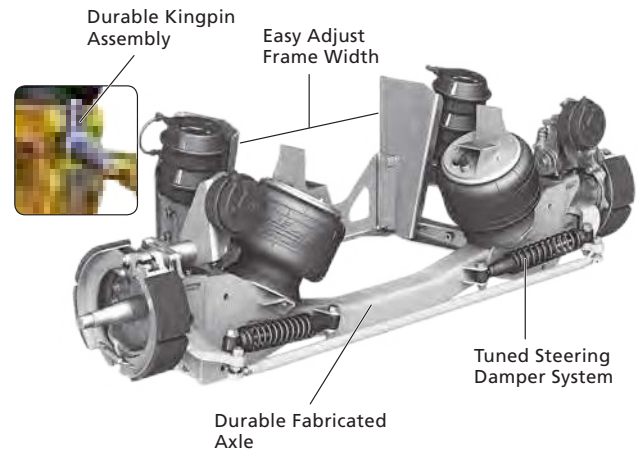
SEE PAGE 1-62



LSZ Series

13,500 lbs. Capacity

SEE PAGE 1-66



CA Series

Up to 15,000 lbs. Capacity

SEE PAGE 1-86

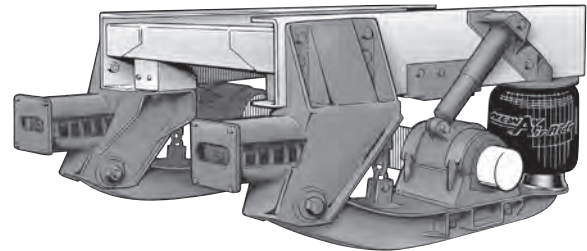


ART-500 Series

20,000 lbs. Capacity

Discontinued - Replacement Parts Only

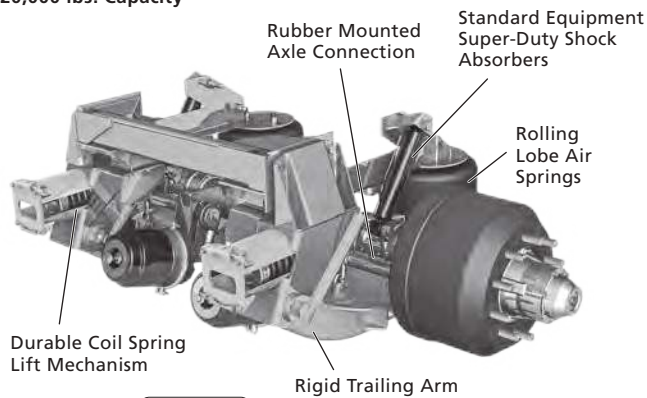
SEE PAGE 1-88



ART-505 Series

20,000 lbs. Capacity

SEE PAGE 1-96



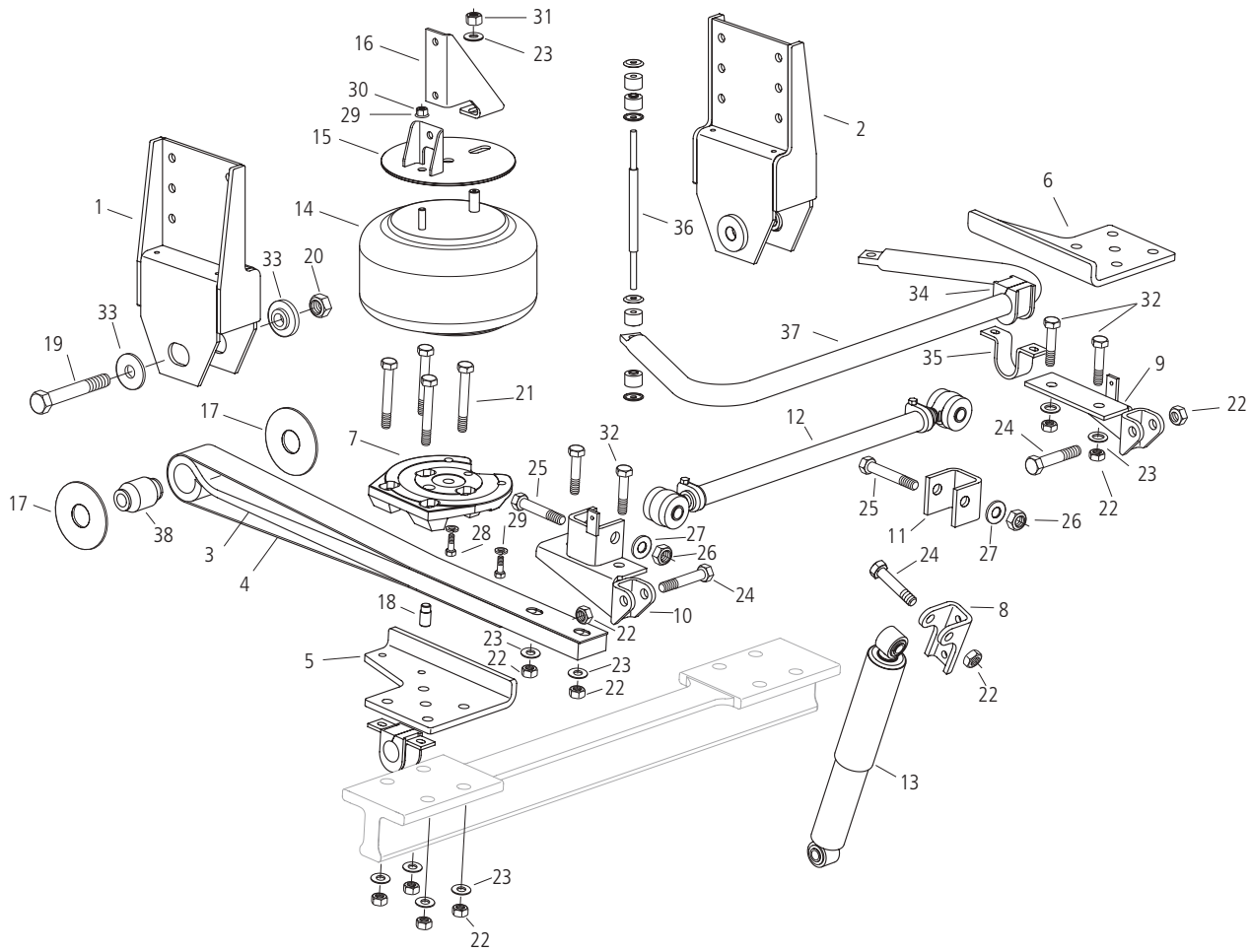
Optional Drum & Wheel End Components



Axle Equipped Models Are Available With Either Straight Axle or 6" Drop Axle



AS Series Parts List

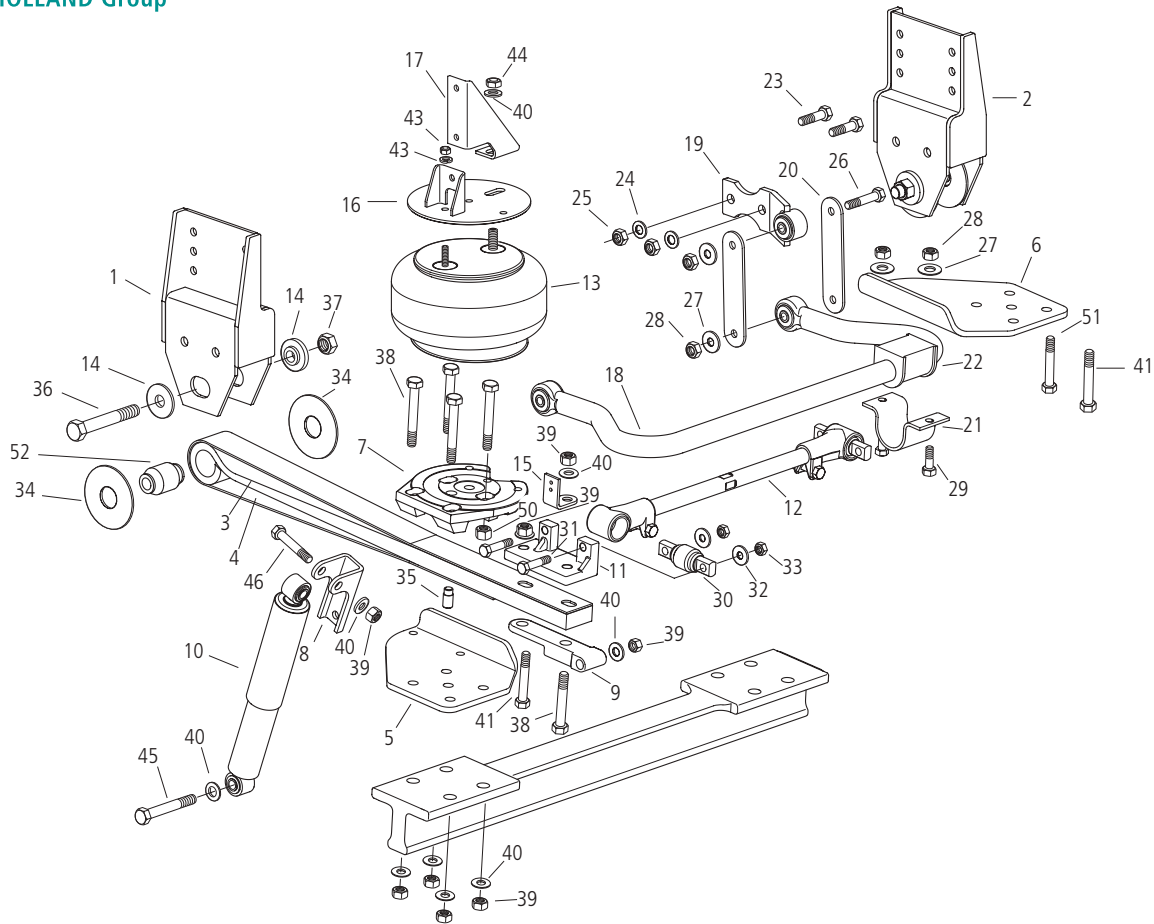


AS Suspension Components

ITEM	DESCRIPTION	PART NUMBER	QTY.	WEIGHT LBS. [KG]
1	Bracket Frame Adjustable Painted	*	1	N/A
2	Bracket Frame Fixed Painted	*	1	N/A
3	Straight Spring Beam Assembly	90516696	2	41.63 [18.88]
4	Strap Restraining	90045226	2	8.22 [3.73]
5	Plate Spacer LH Painted	*	1	N/A
6	Plate Spacer RH Painted	*	1	N/A
7	Plate Air Spring Mounting	90033845	2	13.70 [6.21]
8	Bracket Shock Upper Painted	90018542	2	2.40 [1.08]
9	Bracket Shock RH	90520673	1	N/A
10	Bracket Control Arm	90520672	1	N/A
11	Bracket	90033472	1	N/A
12	Track Bar Double Adjustable	90045385	1	14.24 [6.46]
13	Shock Absorber	*	2	N/A
14	Spring Air	*	2	N/A
15	Plate Air Spring Mounting	90531273	2	5.00 [2.26]
16	Brace Angle (where applicable)	90023131	2	2.23 [1.01]
17	Shim Pivot	90036192	4	0.12 [0.05]
18	Pin	90045233	2	0.21 [0.10]
19	Bolt Hex 1" x 8 x 6.5" Gr5	93900174	2	1.00 [0.45]

ITEM	DESCRIPTION	PART NUMBER	QTY.	WEIGHT LBS. [KG]
20	Nut Hex Lock 1" x 8 GrB	93400500	2	0.30 [0.13]
21	Bolt Hex 0.75" - 10 x 5" Gr8	*	8	N/A
22	Nut Hex Lock 0.75" - 10 GrC	93400494	16	0.11 [0.05]
23	Washer Flat Narrow 0.75"	93600156	14	0.04 [0.02]
24	Bolt Hex 0.75" - 10 x 3.75" Gr5	93003603	4	0.54 [0.24]
25	Bolt Hex 0.875" - 9 x 4.5" Gr5	93003831	2	0.90 [0.41]
26	Nut Hex Lock 0.875" - 9 GrB	93400496	2	0.20 [0.09]
27	Washer Flat Narrow 0.88"	93600162	4	0.06 [0.03]
28	Bolt Hex 0.5" - 13 x 1.25" Gr5	93002901	4	N/A
29	Washer Lock 0.53"	93600072	6	0.01 [0.005]
30	Nut Hex 0.5" - 13 GrB	93400136	2	0.04 [0.02]
31	Nut Hex Lock Thin 0.75" - 16 GrA	93400417	2	0.04 [0.02]
32	Bolt Hex 0.75" - 10 x 3" GrB	93003585	4	0.46 [0.21]
33	Alignment Block With Rust INHB	90008126	2	0.74 [0.34]
34	Bushing	90008194	2	0.29 [0.13]
35	Bracket	90025497	2	0.95 [0.43]
36	Link Assembly	90545761	2	N/A
37	Bar Stabilizer	90045212	1	36.37 [16.50]
38	Bushing	90008125	2	1.52 [0.69]

* Refer to the chassis builder specifications to properly identify the Holland part number for this component. A suspension serial tag denotes the Holland kit number that will provide the individual component number needed.



ASB Suspension Components

ITEM	DESCRIPTION	PART NUMBER	QTY.	WEIGHT LBS. [KG]
1	Bracket Frame Adj Painted	*	1	N/A
2	Bracket Frame Fixed Painted	*	1	N/A
3	Bent or Straight Spring Beam Assembly	*	2	N/A
4	Strap	*	2	N/A
5	Plate Bent LH Painted	*	1	N/A
6	Plate Bent RH Painted	*	1	N/A
7	Plate Air Spring Mounting	90033845	2	13.70 [6.21]
8	Bracket Upper Shock Painted	90018542	2	2.40 [1.08]
9	Shock Bracket Lower (Machined Painted)	M0018038	2	3.81 [1.72]
10	Shock Absorber	*	2	N/A
11	Bracket Track Rod	M0018041	1	7.21 [3.27]
12	Track Rod Assembly Adjustable	*	1	N/A
13	Air Spring Assembly	*	2	N/A
14	Alignment Block	*	2	N/A
15	Tab Bent	90026187	2	0.51 [0.23]
16	ASMP Upper Assembly Painted	90531273	2	5.00 [2.26]
17	Brace Painted	90023131	2	2.23 [1.01]
18	Sway Bar Assembly	90506028	1	43.90 [19.91]
19	Link Assembly With Bushing	*	2	N/A
20	Link Plate Painted	90034436	4	1.44 [0.65]
21	Bushing Clamp	90026040	2	2.40 [1.09]
22	Bushing	90008240	2	0.88 [0.40]
23	Bolt Hex 0.75" - 10 x 2.5" Gr8	93003575	4	0.46 [0.21]
24	Washer Flat Narrow 0.75"	93600156	4	0.04 [0.02]
25	Nut Hex Lock 0.75" - 10 GrC	93400494	4	0.11 [0.05]

ITEM	DESCRIPTION	PART NUMBER	QTY.	WEIGHT LBS. [KG]
26	Bolt Hex 0.62" - 11 x 3.25" Gr8	93003377	4	0.28 [0.13]
27	Washer Flat 0.65"	93600150	8	0.03 [0.01]
28	Nut Hex Lock 0.625" - 11 GrC	93400490	8	0.07 [0.03]
29	Bolt Hex 0.62" - 11 x 2" Gr8	93003347	4	0.26 [0.12]
30	Bushing	90008246	2	2.50 [1.13]
31	Bolt Hex 0.62" - 11 x 2.75" Gr8	93003365	4	0.28 [0.12]
32	Washer Flat 0.65"	93600150	4	0.03 [0.01]
33	Nut Hex Lock 0.625" - 11 GrC	93400490	4	0.07 [0.03]
34	Shim Pivot	90036192	4	0.12 [0.05]
35	Pin	90045233	2	0.21 [0.10]
36	Bolt Hex 1" - 8 x 6.5" Gr8	93004313	2	1.79 [0.81]
37	Nut Hex Lock 1" - 8 GrC	93400502	2	0.34 [0.15]
38	Bolt Hex 0.75" - 10 x 4.75" Gr8	*	9	N/A
39	Nut Hex Lock 0.75" - 10 GrC	93400494	16	0.11 [0.05]
40	Washer Flat Narrow 0.75"	93600156	20	0.04 [0.02]
41	Bolt Hex 0.75" - 10 x 4.25" Gr8	93003617	2	0.68 [0.31]
42	Washer Lock 0.53"	93600072	2	0.01 [0.005]
43	Nut Hex 0.5" - 13 GrB	93400136	2	0.04 [0.02]
44	Nut Hex Lock Thin 0.75" - 16 GrA	93400417	2	0.04 [0.02]
45	Bolt Hex 0.75" - 10 x 5.5" Gr8	93003647	2	0.84 [0.38]
46	Bolt Hex .75" - 10 x 3.75" Gr8	93003605	2	0.62 [0.28]
50	Nut Hex 0.75" - 10 GrB	93400492	2	0.13 [0.06]
51	Bolt Hex 0.75" - 10 x 3.25" Gr8	93003593	1	0.55 [0.25]
52	Bushing	90008125	2	1.52 [0.68]

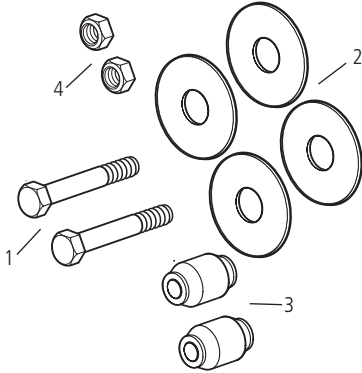
* Refer to the chassis builder specifications to properly identify the Holland part number for this component. A suspension serial tag denotes the Holland kit number that will provide the individual component number needed.

AS & ASB Series Service Rebuild Kits (SRKs)

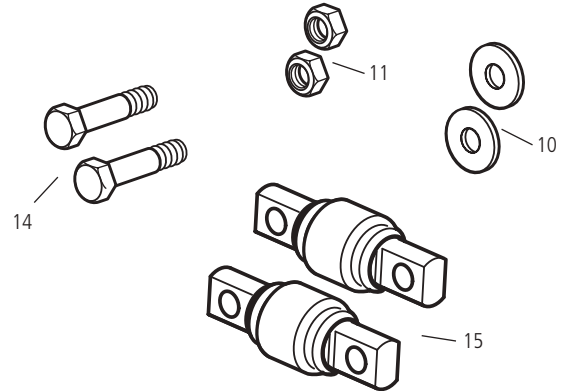


SAF-HOLLAND Group

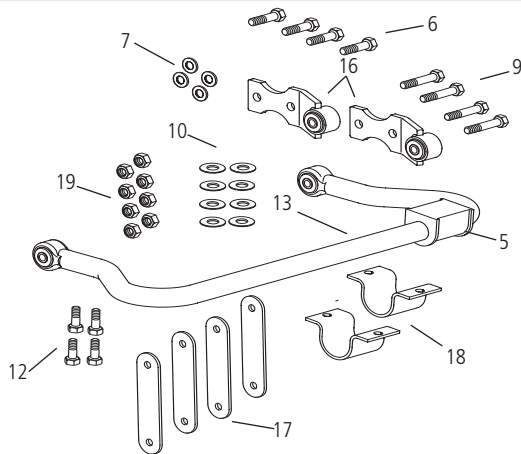
SRK-502 ◊ 48100366
AS Front Pivot Connection



SRK-617 ◊ 48100483
ASB Track Bar Kit



SRK-616 ◊ 48100480
*ASB Sway Bar Kit



* To order AS sway bar parts, refer to AS Series Parts List, Items 34 - 37.

AS/ASB KIT PARTS LIST

ITEM	DESCRIPTION	PART NUMBER	QTY.	WEIGHT LBS [KG]
1	Bolt Hex 1" - 8 x 6.5" GR 5 6.5" GR 5	93900174	2	1.00 [0.45]
2	Shim Pivot	90036192	4	.012 [0.05]
3	Bushing	90008125	2	1.52 [0.68]
4	Nex Nut Lock, 1" - 8 GR B	93400500	2	0.30 [0.13]
5	Bushing	90008240	2	0.88 [0.40]
6	Bolt Hex 0.75" - 10 x 2.5" GR 8	93003575	4	0.46 [0.21]
7	Washer Flat Narrow 0.75"	93600156	4	0.04 [0.02]
8	Nut Hex Lock 0.75" - 10 GR C	93400494	4	0.11 [0.05]
9	Bolt Hex 0.62" - 11 x 3.25" GR 8	93003377	4	0.28 [0.13]
10	Washer Flat 0.65"	93600150	8	0.03 [0.01]
11	Nut Hex Lock 0.625" - 11 GR B	93400488	8	0.07 [0.03]
12	Bolt Hex 0.62" - 11 x 2" GR 8	93003347	4	0.26 [0.12]
13	Sway Bar Assembly	90506028	1	43.90 [19.91]
14	Bolt Hex 0.625" - 11 x 2.75" GR 8	93003363	2	0.28 [0.12]
15	Bushing	90008246	2	2.50 [1.13]
16	Link Assembly With Bushing	90521624	2	N/A
17	Link Plate Painted	90034436	4	1.44 [0.65]
18	Busing Clamp	90026040	2	2.40 [1.09]
19	Nut, Hex Lock .62 - 11 Gr C	93400490	8	0.07 [0.03]

NOTE: One (1) SRK required per axle.

NOTE: Use Grade 8 and C hardware for ASB applications.

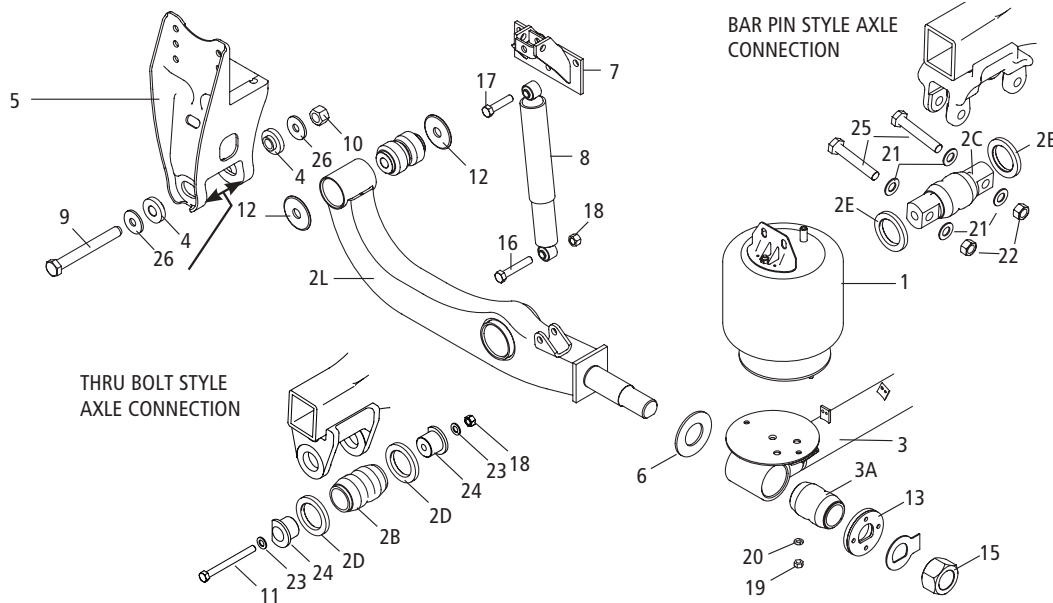
THIS PAGE INTENTIONALLY LEFT BLANK

AD-123/246/369 Series Parts List



SAF-HOLLAND Group

IMPORTANT: AD Series Suspension components vary by assembly part number and OEM/Chassis builder specifications. To ensure proper part number identification before placing order, refer to OEM/Chassis builder's specifications or visually check component to be replaced for part number. If part number can not be identified or confirmed please contact SAF-HOLLAND technical service for assistance - 800.876.3929.



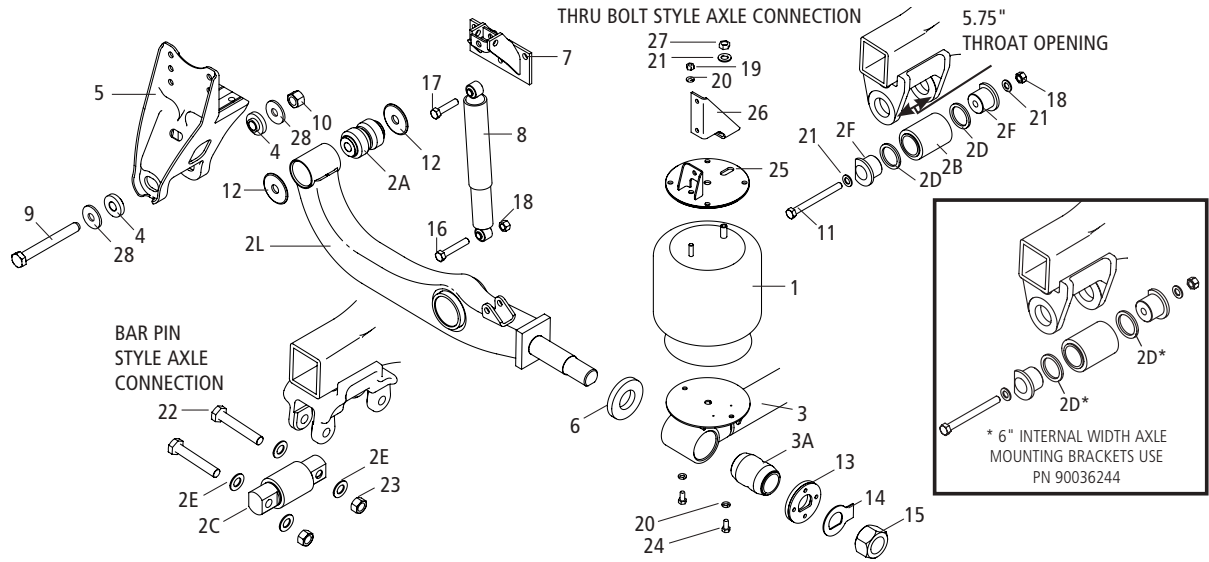
ITEM	DESCRIPTION	PART NUMBER	AXLE GROUPINGS			WEIGHT LBS. [KG]
			SINGLE QTY.	TANDEM QTY.	TRIDEM QTY.	
1	Air Spring with mounting bracket	**	2	4	6	N/A
2L	Eq. Beam Assembly - Left Hand - Thru Bolt Design	**	1	2	3	N/A
2R	Eq. Beam Assembly - Right Hand - Thru Bolt Design	**	1	2	3	N/A
2L	Eq. Beam Assembly - Left Hand - Bar Pin Design	**	1	2	3	N/A
2R	Eq. Beam Assembly - Right Hand - Bar Pin Design	**	1	2	3	N/A
2A	Rubber Bushing - Front Pivot	90008252	2	4	6	6.11 [2.77]
2B	Bushing - Beam Center - Thru Bolt style	90008008	2	4	6	4.05 [1.84]
2C	Bushing - Beam Center - Bar Pin style	90008175	2	4	6	13.06 [5.92]
2D	Washer for Thru Bolt style connection	90001065	4	8	12	0.61 [0.28]
2E	Washer for Bar Pin style connection	90001205	4	8	12	1.09 [0.49]
3	Transverse Beam Assembly	**	1	2	3	N/A
3A	Bushing - Transverse Beam	90008219	2	4	6	4.00 [1.81]
4	Alignment Bushing (Qty. per adjustable bracket)**	90008120****	2	4	6	0.95 [0.43]
5	Frame Bracket - LH adjustable (requires item 4)	**	1	2	3	N/A
	Frame Bracket - RH fixed	**	1	2	3	N/A
6	Spacer Washer	93600498	2	4	6	1.10 [0.50]
7	Upper Shock Bracket	**	2	4	6	N/A
8	Shock Absorber	**	2	4	6	N/A
9	Hex Bolt 1.13" - 7 x 9.53"	93201055	2	4	6	2.92 [1.32]
10	Hex Nut 1.13" - 7	93400506	2	4	6	0.38 [0.17]
11	Hex Bolt .75" - 10 x 7.50" (Thru Bolt Design only)	93003693	2	4	6	1.00 [0.45]
12	Washer - Pivot Spacer	93600502	4	8	12	0.78 [0.35]
13	Locking Spacer Assembly	90536006	2	4	6	3.70 [1.68]
14	Lock Tab Washer	93600533	2	4	6	0.43 [0.19]
15	Heavy Hex Nut 2.25" - 8	93400607	2	4	6	3.50 [1.59]
16	Cap Screw 0.75" - 10 x 4.25"	93003615	2	4	6	0.60 [0.27]
17	Cap Screw 0.75" - 10 x 3.25"	93003591	2	4	6	0.48 [0.22]
18	Hex Nut 0.75"	93400492	2***	4***	6***	0.13 [0.06]
19	Hex Nut 0.50"	93400136	2	4	6	0.04 [0.02]
20	Lock Washer 0.50"	93600072	2	4	6	0.01 [0.005]
21	Washer Flat Narrow 1.00"	93600168	8	16	24	0.08 [0.04]
22	Hex Nut Lock 1.00"-8	93400502	4	8	12	0.34 [0.15]
23	Washer Flat Narrow (Thru) 0.75"	93600156	4	8	12	0.04 [0.02]
24	Bushing Adapter (Thru)	90001002	4	8	12	2.30 [1.04]
25	Cap Screw - 1.00" - 8 x 6" Gr. 8 (Bar Pin Only)	93004301	4	8	12	2.00 [0.91]
26	Washer Flat Narrow 1.12" (Hardened)	93600174	4	8	12	0.11 [0.05]

** Refer to the chassis builder specifications to properly identify the Holland part numbers for the components noted with " ** ". A serial tag may be affixed to the transverse beam that also denotes the Holland kit number that will provide the individual component numbers needed.

*** The quantity shown is for a bar pin style unit. If a thru bolt style is used, increase the quantity by two per axle.

**** Fabricated frame brackets may use a different alignment bushing. Part number shown is for cast hanger. Provide kit # from serial tag or frame bracket part number from OEM build (VIN) to SAF-HOLLAND service for applicable part number.

IMPORTANT: AD Series Suspension components vary by assembly part number and OEM/Chassis builder specifications. To ensure proper part number identification before placing order, refer to OEM/Chassis builder's specifications or visually check component to be replaced for part number. If part number can not be identified or confirmed please contact SAF-HOLLAND technical service for assistance - 800.876.3929.



ITEM	DESCRIPTION	PART NUMBER	AXLE GROUPINGS			WEIGHT LBS. [KG]
			SINGLE QTY.	TANDEM QTY.	TRIDEM QTY.	
1	Air Spring	**	2	4	6	N/A
2L	Eq. Beam Assembly - Left Hand - Thru Bolt Design(Shown)	**	1	2	3	N/A
2R	Eq. Beam Assembly - Right Hand - Thru Bolt Design	**	1	2	3	N/A
2L	Eq. Beam Assembly - LH - Bar Pin Design (side view)	**	1	2	3	N/A
2R	Eq. Beam Assembly - Right Hand - Bar Pin Design	**	1	2	3	N/A
2A	Bushing - Front Pivot	90008252	2	4	6	6.11 [2.77]
2B	Bushing - Beam Center - Thru Bolt style	90008195	2	4	6	5.81 [2.64]
2C	Bushing - Beam Center - Bar Pin style	90508012	2	4	6	21.46 [9.73]
2D	Washer for Thru Bolt style connection (see inset diagram)	90036210	4	8	12	0.23 [0.10]
2E	Washer for Bar Pin style connection	93600168	8	16	24	0.08 [0.04]
2F	Adapter Bushing	90001002	4	8	12	2.30 [1.04]
3	Transverse Beam Assembly	**	1	2	3	N/A
3A	Bushing - Transverse Beam	90008219	2	4	6	4.00 [1.81]
4	Alignment Bushing (qty. per Adj. bracket)**	90008120****	2	4	6	0.95 [0.43]
5	Frame Bracket - LH adjustable (Shown) (Requires Item 4)	**	1	2	3	N/A
	Frame Bracket - RH fixed	**	1	2	3	N/A
6	Washer	90036209	2	4	6	3.44 [1.56]
7	Upper Shock Bracket	**	2	4	6	N/A
8	Shock Absorber	**	2	4	6	N/A
9	Cap Screw 1.12" - 7 x 9.53"	93201055	2	4	6	2.92 [1.32]
10	Lock Nut 1.12" - 7	93400506	2	4	6	0.38 [0.17]
11	Cap Screw 3/4" - 10 x 7.50" (Thru Bolt Design only)	93003693	2	4	6	1.00 [0.45]
12	Washer - Pivot Spacer	93600502	4	8	12	0.78 [0.35]
13	Locking Spacer Assembly	90536006	2	4	6	3.70 [1.68]
14	Tab Washer	93600533	2	4	6	0.43 [0.19]
15	Heavy Hex Nut 2.25" - 8	93400607	2	4	6	3.50 [1.59]
16	Cap Screw 0.75" - 10 x 4.25"	93003615	2	4	6	0.60 [0.27]
17	Cap Screw 0.75" - 10 x 3.25"	93003591	2	4	6	0.48 [0.22]
18	Lock Nut 0.75"	93400492	2 ***	4 ***	6 ***	0.13 [0.06]
19	Hex Nut 0.50"	93400136	2	4	6	0.04 [0.02]
20	Lock Washer 0.50"	93600072	6	12	18	0.01 [0.005]
21	Washer Flat Narrow 0.75"	93600156	2	4	6	0.04 [0.02]
22	Bolt Hex 1" - 8 x 6.00" Gr 8	93004301	4	8	12	2.00 [0.91]
23	Nut Hex Lock 1.00" - 8	93400502	4	8	12	0.34 [0.15]
24	Bolt Hex 0.50" -13 x 1.00" Gr 2	93002893	4	8	12	0.08 [0.04]
25	Air Spring Mounting Plate	90531001	2	4	6	6.00 [2.72]
26	Brace	90023131	2	4	6	2.23 [1.01]
27	Nut Hex Lock Thin 0.75" -16 Gr A	93400417	2	4	6	0.04 [0.02]
28	Washer Flat Narrow 1.12" (Hardened)	93600174	4	8	12	0.11 [0.05]

** Refer to the chassis builder specifications to properly identify the Holland part numbers for the components noted with " ** ". A serial tag maybe affixed to the transverse beam that also denotes the Holland kit number that will provide the individual component numbers needed. *** The quantity shown is for a bar pin style unit. If a thru bolt style is used, increase the quantity by two per axle.

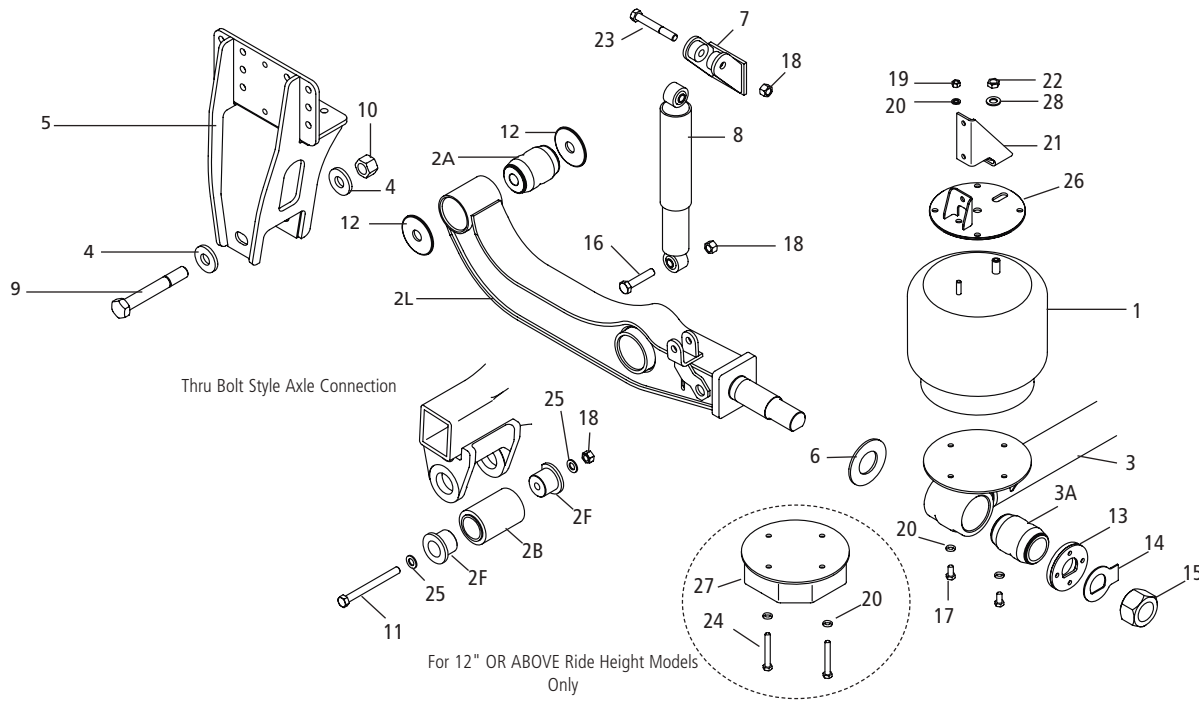
**** Fabricated frame brackets may use a different alignment bushing. Part number shown is for cast hanger. Provide kit # from serial tag or frame bracket part number from OEM build (VIN) to SAF-HOLLAND service for applicable part number.

AD-130/260/390 Series Parts List



SAF-HOLLAND Group

IMPORTANT: AD Series Suspension components vary by assembly part number and OEM/Chassis builder specifications. To ensure proper part number identification before placing order, refer to OEM/Chassis builder's specifications or visually check component to be replaced for part number. If part number can not be identified or confirmed please contact SAF-HOLLAND technical service for assistance - 800.876.3929.



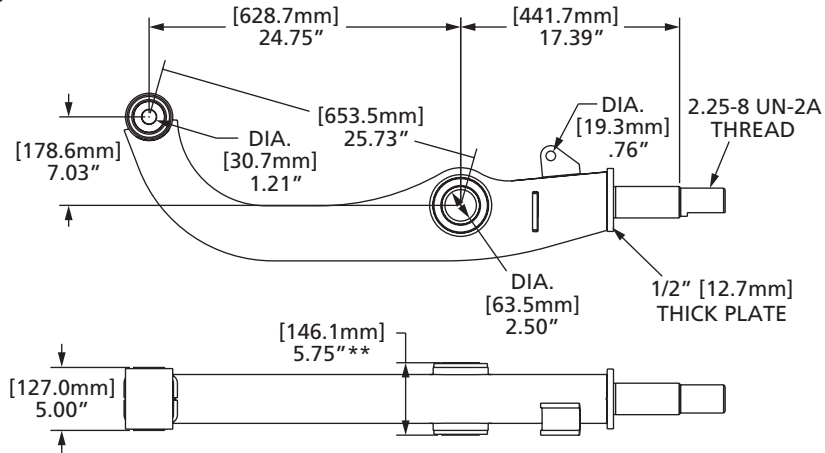
ITEM	DESCRIPTION	PART NUMBER	AXLE GROUPINGS			WEIGHT LBS. [KG]
			SINGLE QTY.	TANDEM QTY.	TRIDEM QTY.	
1	Air Spring with mounting bracket	**	2	4	6	N/A
2L	Eq. Beam Assembly - Left Hand - Thru Bolt Design	**	1	2	3	N/A
2R	Eq. Beam Assembly - Right Hand - Thru Bolt Design	**	1	2	3	N/A
2A	Bushing - Front Pivot	90008256	2	4	6	9.30 [4.22]
2B	Bushing - Beam Center - Thru Bolt style	90008225	2	4	6	6.68 [3.03]
2F	Adapter Bushing	90001349	4	8	12	2.39 [1.08]
3	Transverse Beam Assembly	**	1	2	3	N/A
3A	Bushing - Transverse Beam	90008135	2	4	6	4.96 [2.25]
4	Alignment Bushing (qty. per Adj. Bracket)	90008232	2	4	6	0.62 [0.27]
5	Frame Bracket - LH adjustable (Shown, requires Item 4)	**	1	2	3	N/A
	Frame Bracket - RH fixed	**	1	2	3	N/A
6	Washer	93600498	2	4	6	1.10 [0.50]
7	Upper Shock Bracket	**	2	4	6	N/A
8	Shock Absorber	**	2	4	6	N/A
9	Cap Screw 1.25" - 7 x 9.00"	93201068	2	4	6	3.52 [1.60]
10	Lock Nut 1.25" - 7	93400510	2	4	6	0.50 [0.23]
11	Cap Screw 3/4" - 10 x 8.00" (Thru Bolt Design only)	93003705	2	4	6	1.07 [0.48]
12	Washer - Pivot Spacer	93600546	4	8	12	1.02 [0.46]
13	Locking Spacer Assembly	90536006	2	4	6	3.70 [1.68]
14	Tab Washer	93600533	2	4	6	0.43 [0.19]
15	Heavy Hex Nut 2.25" - 8	93400607	2	4	6	3.50 [1.59]
16	Cap Screw 0.75" - 10 x 3.75"	93003603	2	4	6	0.54 [0.24]
17	Cap Screw 0.75" - 13 x 1.00"	93002893	4	8	12	0.08 [0.04]
18	Lock Nut 0.75"	93400492	6	12	18	0.13 [0.06]
19	Hex Nut 0.50"	93400136	2	4	6	0.04 [0.02]
20	Lock Washer 0.50"	93600072***	6	12	18	0.01 [0.005]
21	Brace Angle	90023131	2	4	6	2.23 [1.01]
22	Hex Nut Thin - 0.75" - 16 Gr A	93400417	2	4	6	0.04 [0.02]
23	Cap Screw 0.75" - 10 x 5.5"	93003645	2	4	6	0.77 [0.35]
24	Bolt Hex 0.50" - 13 x 4.00" Long Gr 5 - for 12" ride height models only	93002961	4	8	12	0.22 [0.10]
25	Washer Flat Narrow 0.75"	93600156	4	8	12	0.04 [0.02]
26	Plate Air Spring Mounting Upper	90531001	2	4	6	6.00 [2.72]
27	Spacer Air Spring Assembly - for 12.00" or above ride height models only	90536009	2	4	6	19.90 [9.02]

** Refer to the chassis builder specifications to properly identify the Holland part numbers for the components noted with " * * ". A serial tag maybe affixed to the transverse beam that also denotes the Holland kit number that will provide the individual component numbers needed.

*** For 12" ride height models, increase quantity by 4 per axle.

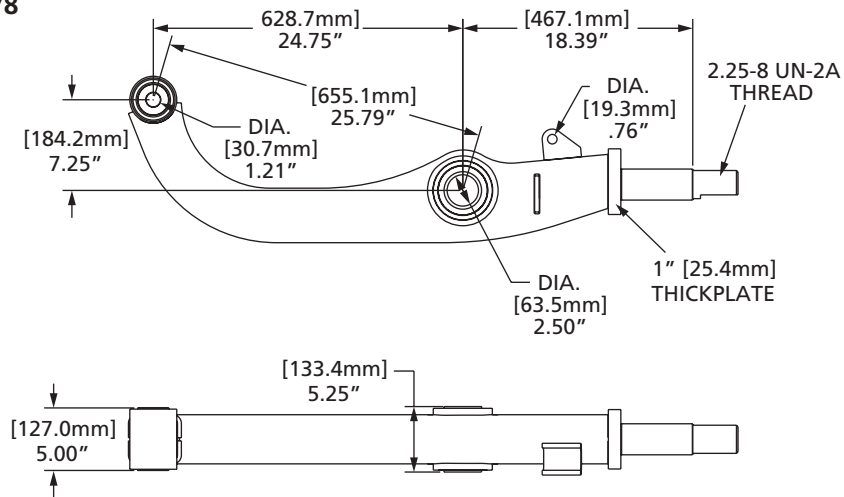
(Left Hand/Road Side Beams Shown)

MODEL: AD-123 / 246 / 369

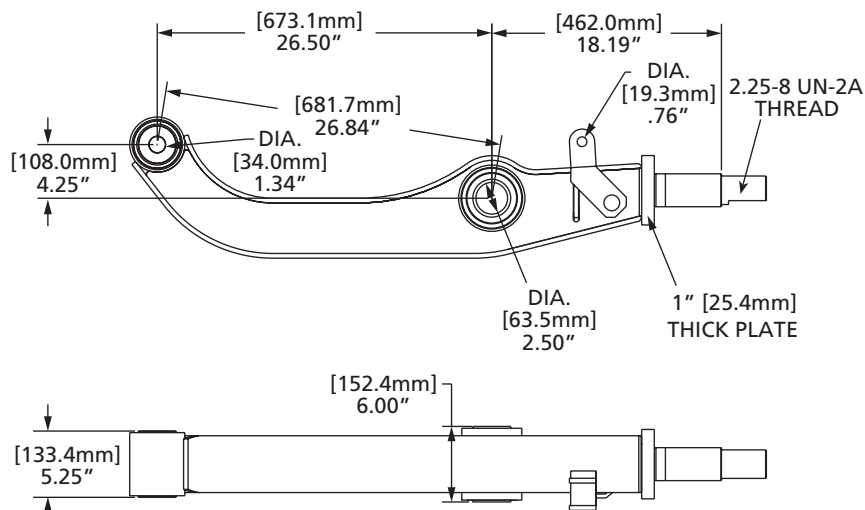


** Dimension includes spacer washer. Dimension is 5.25" (133.4mm) without spacers included.

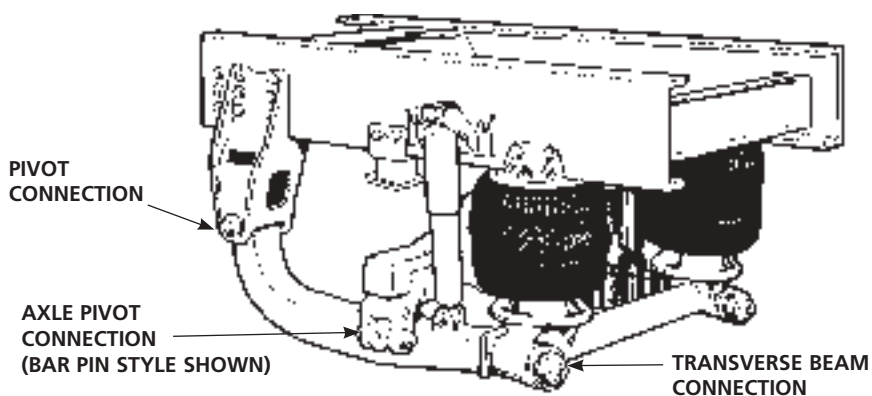
MODEL: AD-126 / 252 / 378



MODEL: AD-130 / 260 / 390



AD-123/246/369, AD-126/252/378, AD-130/260/390 Service Repair Kits (SRKs)

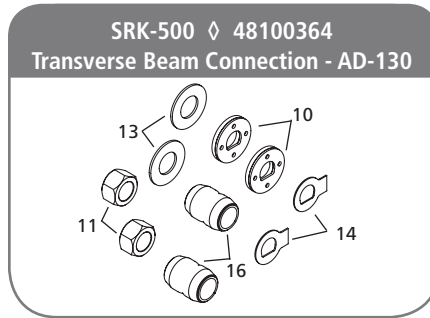
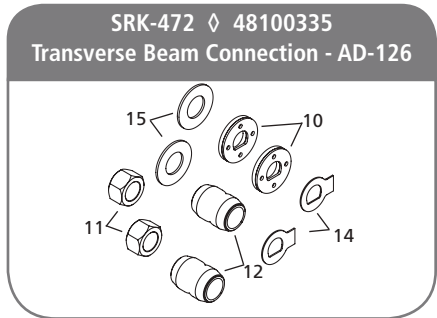
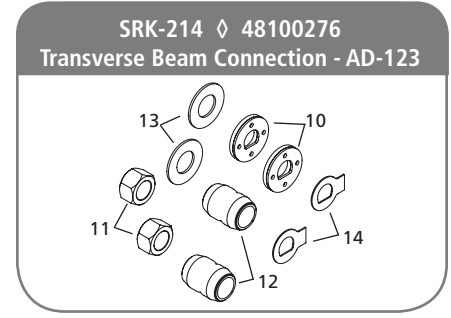
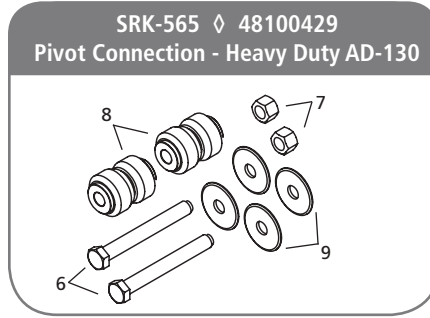
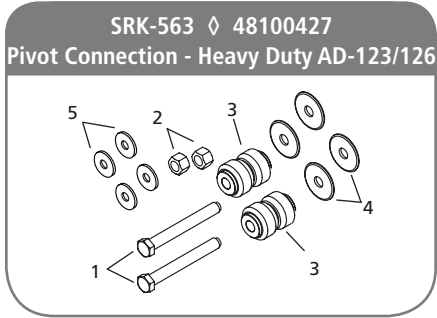


When servicing your AD Series suspension, use the convenient service repair kits noted below.

Descriptions are found on the following pages.

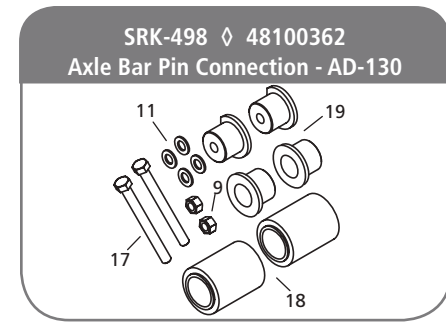
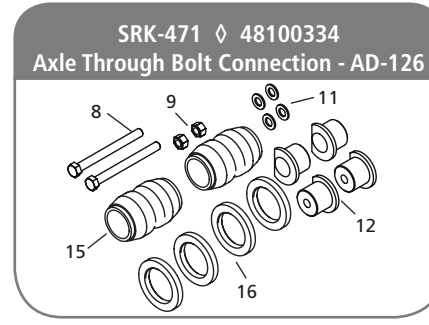
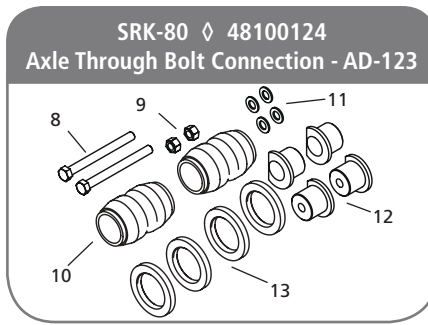
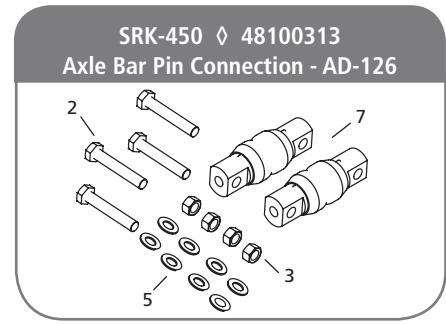
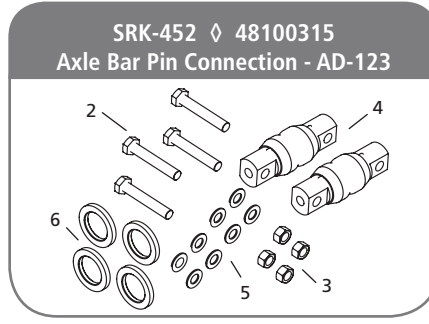
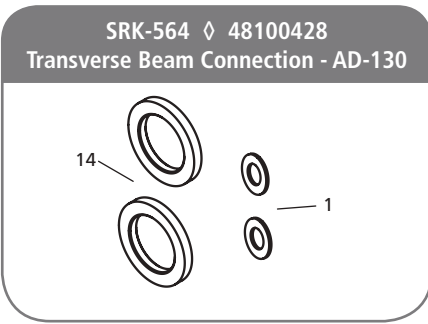
NOTE: One (1) SRK Required per axle.

MODEL	FRONT PIVOT CONNECTION	AXLE THRU BOLT CONNECTION	AXLE BAR PIN CONNECTION	TRANSVERSE BEAM CONNECTION
AD-123/246/369	SRK-563	SRK-80	SRK-452	SRK-214
AD-126/252/378	SRK-563	SRK-471	SRK-450	SRK-472
AD-130/260/390	SRK-565	SRK-498	N/A	SRK-500



AD SERIES KIT PARTS LIST				
ITEM	DESCRIPTION	PART NUMBER	QTY.	WEIGHT LBS [KG]
1	Bolt Hex 1.125-7 x 9.53" Gr 8	93201055	2	1.00 [0.45]
2	Nut, Hex Lock 1.113-7 Gr C	93400506	2	.012 [0.05]
3	Bushing, Hd Ad-123/126 Pivot	90008252	2	1.52 [0.68]
4	Washer Spacer	93600502	4	0.30 [0.13]
5	Washer, Flat Narrow 1.12"	93600174	4	0.88 [0.40]
6	Bolt, Hex 1.25-7 x 9.00" Gr 8	93201068	2	0.46 [0.21]
7	Nut, Hex, Lock 1.25-7 Gr C	93400510	2	0.04 [0.02]
8	Bushing Pivot	90008256	2	0.11 [0.05]
9	Washer, Spacer-Pivot-Painted	93600546	4	0.28 [0.13]

AD SERIES KIT PARTS LIST				
ITEM	DESCRIPTION	PART NUMBER	QTY.	WEIGHT LBS [KG]
10	Spacer Assembly, Locking	90536006	2	0.03 [0.01]
11	Nut, Hex Heavy 2.25-8	93400607	2	0.07 [0.03]
12	Bushing	90008219	2	0.26 [0.12]
13	Washer 2.65"	93600498	2	43.90 [19.91]
14	Washer, Tab Lock w/ Rust Inhib	93600533	2	0.28 [0.12]
15	Spacer 2.56"	90036209	2	2.50 [1.13]
16	Bushing, Rubber w/Inner Sleeve	90008135	2	N/A
	Torque Specification Decal	XL-AK399-01	1	1.44 [0.65]
	AD Service Repair Kits Literature	XL-AK424	1	2.40 [1.09]



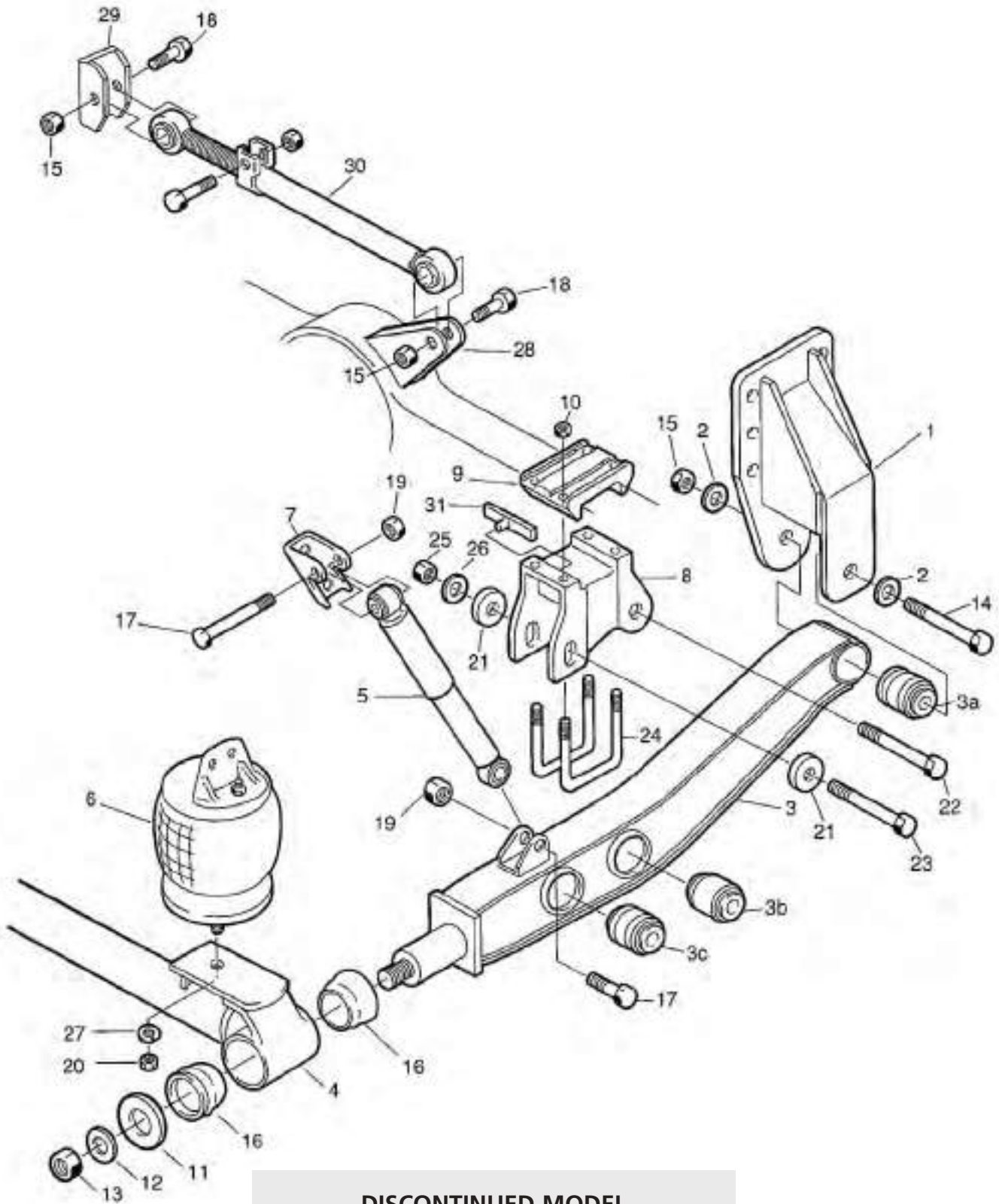
AD SERIES KIT PARTS LIST				
ITEM	DESCRIPTION	PART NUMBER	QTY	WEIGHT LBS. [KG]
1	Spacer Washer	90036165	2	0.01 [0.005]
2	Cap Screw - Bar Pin Only 1" - 8 x 6.00" Gr8	93004301	4	2.00 [0.91]
3	Hex Nut Lock 1.00"-8	93400502	4	0.34 [0.15]
4	Bushing - Beam Center	90508175	2	N/A
5	Washer Flat Narrow 1.00"	93600168	8	0.08 [0.04]
6	Spacer Washer	90001205	4	1.09 [0.49]
7	Bushing - Beam Center	90508012	2	21.46 [9.73]
8	Hex Bolt 0.75- 10 x 7.50"	93003693	2	1.00 [0.45]
9	Hex Nut 0.75"	93400492	2	0.13 [0.06]
10	Bushing - Beam Center	90008008	2	4.05 [1.84]

RK KIT COMPONENTS				
ITEM	DESCRIPTION	PART NUMBER	QTY	WEIGHT LBS. [KG]
11	Washer Flat Narrow 0.75"	93600156	4	0.04 [0.02]
12	Adapter Bushing	90001002	4	2.30 [1.04]
13	Spacer Washer	90001065	4	0.61 [0.28]
14	Tab Washer	93600533	2	0.43 [0.19]
15	Bushing - Beam Center	90008195	2	5.81 [2.64]
16	Spacer Washer	90036210	4	0.23 [0.10]
17	Hex Bolt 0.75"- 10 x 8.00"	93003705	2	1.07 [0.48]
18	Bushing - Beam Center	90008225	2	6.68 [3.03]
19	Adapter Bushing	90001349	4	2.39 [1.08]

NOTE: The AD-130 Series does not utilize the bar pin connection

THIS PAGE INTENTIONALLY LEFT BLANK

AD-200-7, -8, -9, -11 Exploded View



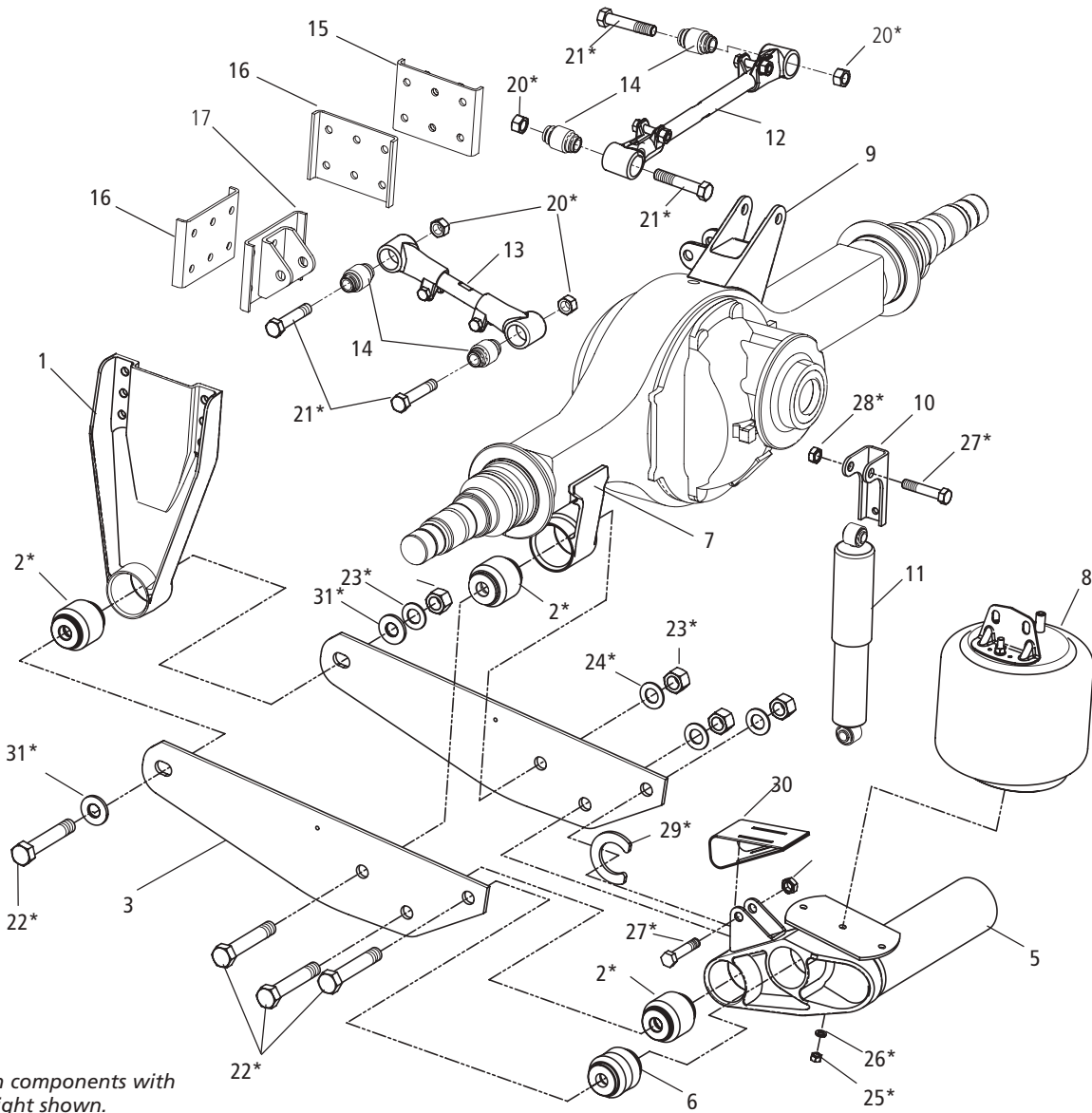
**DISCONTINUED MODEL
SERVICE PARTS ONLY**
Please contact Customer Service for part availability
800.876.3929

ITEM	DESCRIPTION	PART NUMBER	QTY	RIDE HEIGHT	WEIGHT LBS. [KG]
1	Frame Bracket	*	2	All	N/A
2	Alignment Bushing	90008166	4	All	0.61 [0.28]
3	Equalizing Beam Assembly (Includes item #3a, 3b,3c,18)	90516585	2	All	63.00 [28.58]
3a	Rubber Bushing (Front Pivot)	90008165	2	All	4.40 [2.00]
3b	Rubber Bushing (Front Axle Connection)	90008191	2	All	2.00 [0.91]
3c	Rubber Bushing (Rear Axle Connection)	90008190	2	All	3.64 [1.65]
4	Transverse Beam Assembly	90545368	1	All	45.90 [20.82]
5	Shock Absorber	90045138	2	All	7.89 [3.58]
6	Air Spring	90557161	2	7	15.00 [6.80]
6	Air Spring	90557166	2	8	20.00 [9.07]
6	Air Spring	90557208	2	9	15.52 [7.04]
6	Air Spring	90557146	2	11	18.00 [8.16]
7	Upper Shock Bracket	90018542	2	All	2.40 [1.08]
8	Reference Axle Adapter Chart Listed Below	-	2	All	N/A
9	Reference Axle Adapter Chart Listed Below	-	2	All	N/A
10	Reference Axle Adapter Chart Listed Below	-	8	All	N/A
11	Spacer Washer	90036007	2	All	1.52 [0.69]
12	Washer 1.38"	93600180	2	All	0.13 [0.06]
13	Nut 1.25 - 12 GrC	93400511	2	All	0.50 [0.22]
14	Hex Bolt 0.88 - 9 x 7.50" Gr8	93003905	2	All	1.39 [0.63]
15	Lock Nut 0.88 - 9 GrC	93400498	4	All	0.17 [0.08]
16	Rubber Bushing (Transverse Beam)	90008113	4	All	1.71 [0.78]
17	Cap Screw 0.75 - 10 x 3.75" Gr5	93003603	4	All	0.54 [0.24]
18	Cap Screw 0.88 - 9 x 4.50" Gr5	93003831	2	All	0.90 [0.41]
19	Nut 0.75- 10 GrB	93400492	4	All	0.13 [0.06]
20	Nut 0.50 - 13 GrB	93400136	2	All	0.04 [0.02]
21	Alignment Bushing	90008192	4	All	0.87 [0.39]
22	Cap Screw 1.13 - 7 x 7.00" Gr8	93004529	2	All	2.00 [0.91]
23	Cap Screw 1.13 - 7 x 8.00" Gr8	93004553	2	All	2.00 [0.90]
24	Reference Axle Adapter Chart Listed Below	-	4	All	N/A
25	Lock Nut 1.18 - 7 GrC	93400506	4	All	0.38 [0.17]
26	Washer	93600174	4	All	0.11 [0.05]
27	Lock Washer 0.50	93600072	2	All	0.01 [0.005]
28	Control Arm Bracket	90044874	1	All	4.42 [2.00]
29	Control Arm Bracket	90018472	1	All	3.56 [1.61]
30	Adjustable Torque Rod	90045172	1	All	12.00 [5.44]
31	Plastic Shim	90044887	2	All	0.06 [0.03]

* Contact Customer Service - 800.876.3929 for Frame Bracket part numbers.

ITEM	DESCRIPTION	AXLE APPLICATION		
		3.82 X 4.25	4.25 X 5.00	4.61 X 5.28
8	Axle Adapter (Includes item #31)	90501296	90501297	90501298
9	Axle Cap	90001229	90001228	90001211
10	Lock Nut 0.75 - 10 GrC	93400494	93400494	-
	Lock Nut 0.88 - 9 GrC	-	-	93400498
24	U-Bolt 0.75 - 10 x 7.13" Gr8	90042897	90042897	-
	U-Bolt 0.88 - 9 x 7.50" Gr8	-	-	90042896

ADL-120 Exploded View



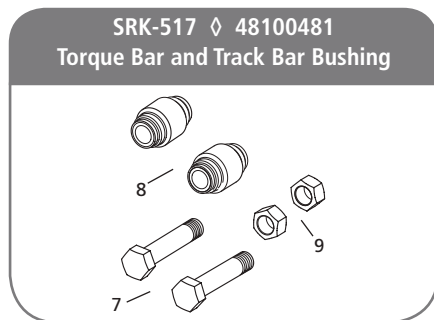
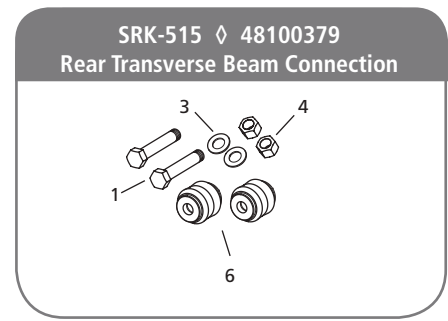
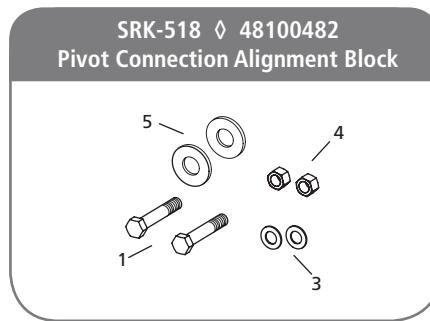
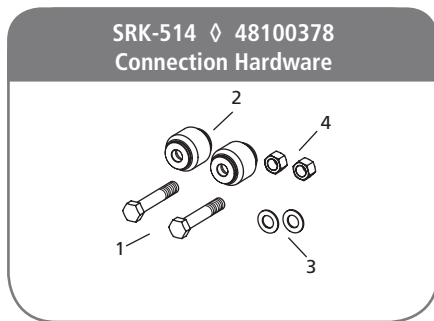
*Suspension components with
7" ride height shown.*

ITEM	DESCRIPTION	PART NUMBER	QTY REQD	WEIGHT LBS. [KG]
1a	Frame Bracket Assembly - Standard Rail (shown)	Contact SAF-Holland	2	N/A
1b	Frame Bracket Assembly - Stacked Rail (not shown)	Contact SAF-Holland	2	N/A
2*	Bushing - Pivot, Axle, Front Transverse Beam	90008211	6	4.17 [1.89]
3**	Equalizing Beam - Adjustable	90015113	2	21.70 [9.84]
4**	Equalizing Beam - Fixed (not shown)	90015115	2	21.76 [9.87]
5a	Transverse Beam - 38.60" Beam Center	90548517	1	124.00[56.25]
5b	Transverse Beam - 38.66" Beam Center	90548516	1	124.50 [56.47]
5c	Transverse Beam - For 34.62" Frame Rail Width	Contact SAF-Holland	1	N/A
6	Bushing - Rear Transverse Beam	90008241	2	3.91 [1.77]
7	Axle Adapter	90501427	2	16.85 [7.64]
8	Air Spring	90557290	2	21.00 [9.52]
9	Control Arm Axle Bracket	90018670	1	10.90 [4.94]
10a	Shock Upper Bracket - For Short Frame Rail	90018031	2	N/A
10b	Shock Upper Bracket - For Standard Frame Rail	90018542	2	2.40 [1.08]
11a	Shock Absorber - Standard Bus	90045443	2	N/A
11b	Shock Absorber - For RV Applications	Contact OEM	2	N/A
12	Track Bar - Adjustable	90547801	1	13.40 [6.08]
13	Torque Rod - Adjustable	90547800	1	11.66 [5.29]
14	Bushing - Track Bar End and Torque Rod	90008243	4	0.56 [0.25]
15	Bracket - Track Bar Frame	90501439	1	6.80 [3.08]
16	Plate Reinforcement	90026068	1	3.66 [1.66]
17	Bracket - Torque Rod Crossmember	90018658	1	3.04 [1.38]
18	Plate Reinforcement - For Crossmember	90026068	1	3.66 [1.66]
20*	Hex Lock Nut 0.88 - 9 GrC	93400498	4	0.17 [0.08]
21*	Hex Bolt 0.88 - 9 x 4.50" Gr8	93003833	4	N/A
22*	Hex Bolt 1.13 - 7 x 6.50" Gr8	93004517	8	N/A
23*	Hex Nut 1.13 - 7 GrC	93400506	8	0.38 [0.17]
24*	Flat Washer - Narrow 1.12"	93600174	8	0.11 [0.05]
25*	Hex Nut 0.50 - 12 GrB	93400136	2	0.04 [0.02]
26*	Lock Washer 0.53"	93600072	2	0.01 [0.005]
27*	Hex Bolt 0.75-10 x 3.50" Gr8	93003599	4	1.00 [0.45]
28*	Hex Lock Nut 0.75 - 10 GrC	93400494	4	0.11 [0.05]
29*	C-Shape Spacer Washer	90036249	2	0.64 [0.29]
30	Debris Shield	90045456	2	0.38 [0.17]
31*	Alignment Block	90008242	2	0.27 [0.12]

* Not sold individually - must be purchased in kits.

** For disc brake compatible beams in Figure 3, Item 3 is part number 90034561 and item 4, is part number 90034563.

NOTE: The part numbers may not correspond with your vehicles ADL installation. Refer to the OE/Vehicle Manufacturer's build specifications or Contact SAF-Holland Engineering to properly identify parts.



AD SERIES KIT PARTS LIST				
ITEM	DESCRIPTION	PART NUMBER	QTY.	WEIGHT LBS [KG]
1	Bolt Hex 1.13" - 7 x 6.50" Gr 8	93004517	2	NA
2	Bushing	90008211	2	3.91 [1.77]
3	Washer, Flat Narrow 1.12"	93600174	2	0.11 [0.05]
4	Nut, Hex 1.13" - 7 Gr C	93400506	2	0.38 [0.17]
5	Alignment Block	90008242	2	0.27 [0.12]
6	Bushing	90008241	2	3.91 [1.77]
7	Bolt, Hex 0.88" 9 x 4.50" Gr C	93003833	2	NA
8	Rubber Bushing	90008243	2	0.56 [0.25]
9	Nut, Hex Lock 0.88 - 9 Gr 8	93400498	2	0.17 [0.08]

NOTE: Each Service Repair Kit contains enough parts to repair both sides of the suspension.

THIS PAGE INTENTIONALLY LEFT BLANK

Model Identification

A serial tag and model number tag are attached to the left and right ends of the transverse beam (lower control arm assembly) (**Figure 1**). The tags supply valuable information regarding the exact components used to manufacture the suspension (**Figure 2**).

NOTE: Depending upon chassis builder configuration, the model number tag may not call out the exact kit or parts list number. If so, the vehicle chassis builder will be able to identify the suspension model and its components using the vehicle's VIN number.

IMPORTANT: Due to the custom built nature of each Neway® ADZ application, having the exact parts list used by the chassis builder is critical in determining proper replacement components.

It is recommended to determine the specific model number, record the information (**Figure 3**), and refer to it when obtaining information or replacement parts.

Model Nomenclature

IMPORTANT: This section applies to the suspension model series listed below and for special orders of the same. It is very important to determine the specific model number, serial number, and parts list number. Record those numbers on this page, and refer to them when obtaining information or replacement parts.

Single Axle:	Tandem Axle:	Tridem Axle:
ADZ-123	ADZ-246	ADZ-369
ADZ-124*	ADZ-248*	
ADZ-126	ADZ-252	ADZ-378
ADZ-127*	ADZ-254*	

*Denotes special increased capacity for fire apparatus applications only with SAF-HOLLAND® Engineering approvals.

ADZ - X XX - 10

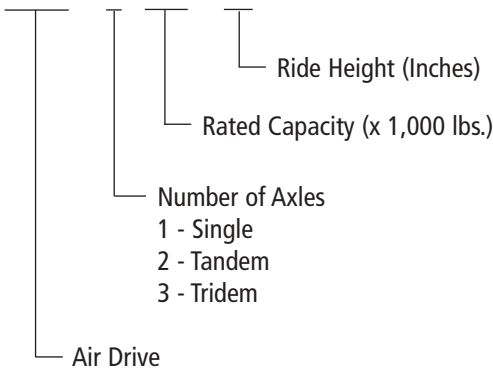


Figure 1

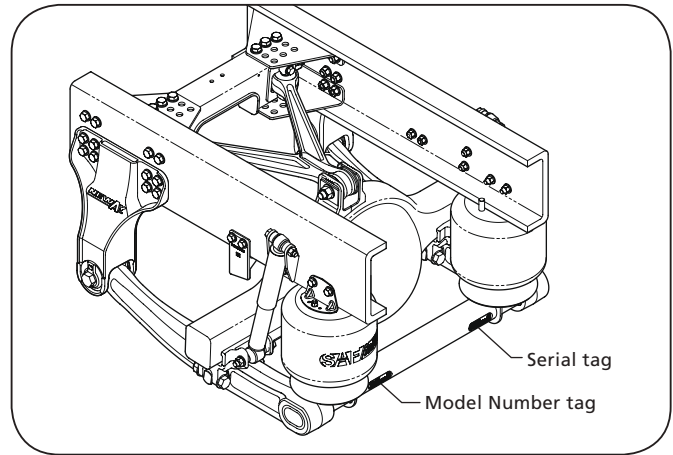


Figure 2

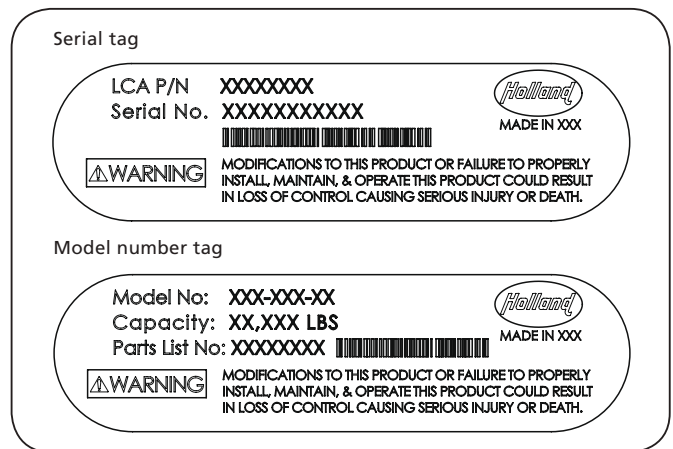


Figure 3

Write Important Suspension Data Here:

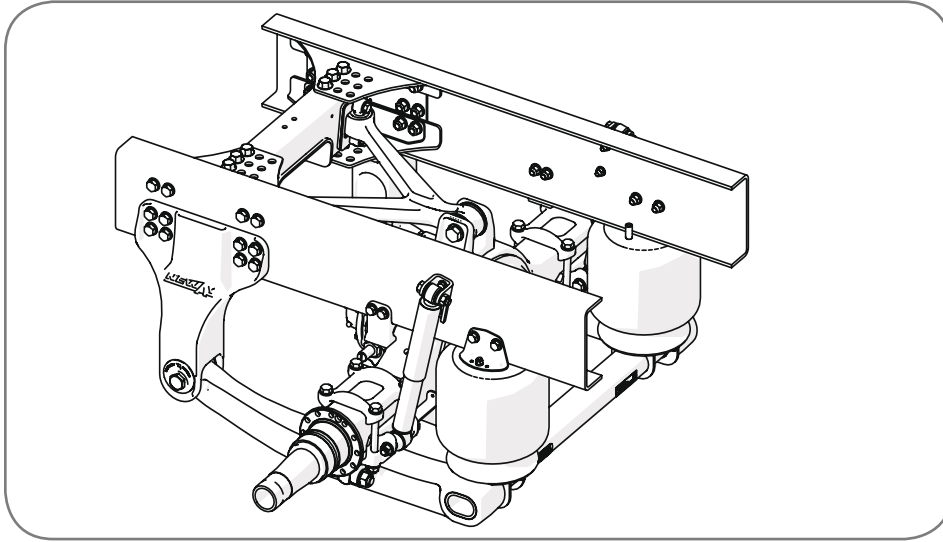
LCA Serial Number: _____

Model Number: _____

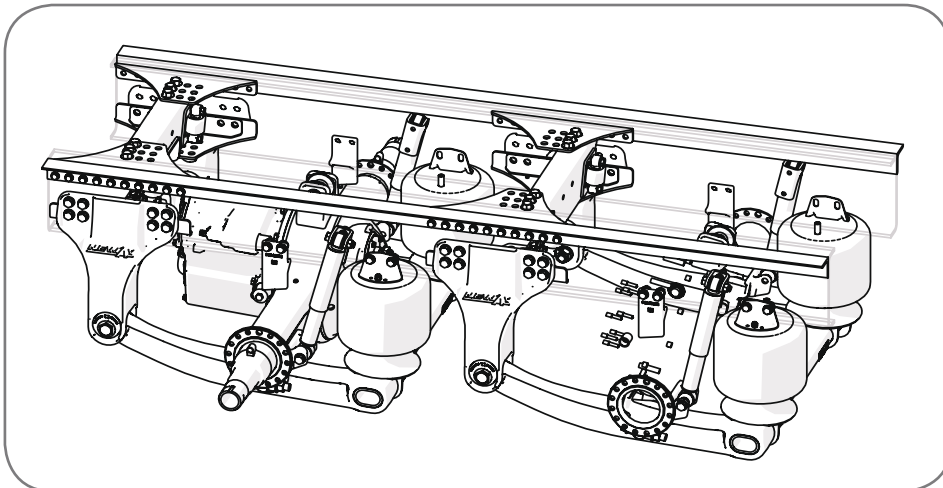
Parts List Number: _____

In Service Date: _____

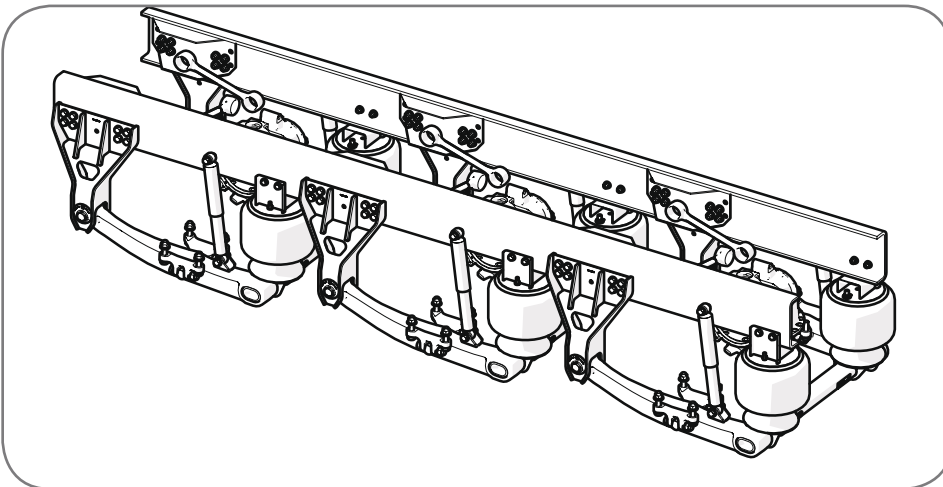
Single Axle Suspension



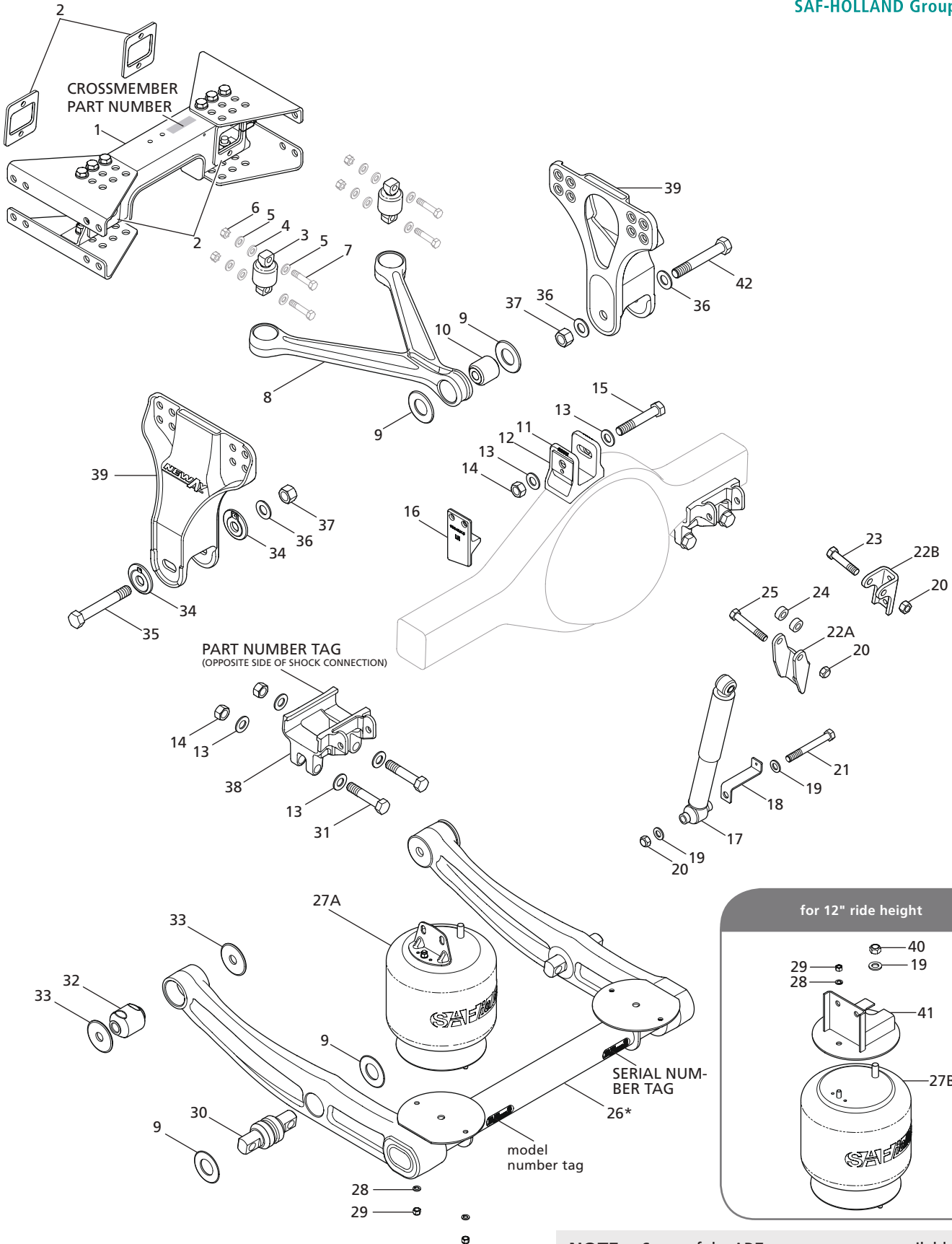
Tandem Axle Suspension



Tri-Axle Suspension



ADZ-123, ADZ-246, ADZ-369 Exploded View



NOTE: Some of the ADZ components are available in Service Repair Kits found later in this Section.

ITEM	DESCRIPTION	PART NUMBER	QTY PER AXLE			WEIGHT LBS. [KG]
			SINGLE AXLE ADZ-123	TANDEM AXLE ADZ-246	TRI-AXLE ADZ-369	
1*	Frame Crossmember Assembly	Consult SAF-HOLLAND*	1	2	3	N/A
2	Backer Plate	90034740	2	4	6	1.41 [0.64]
3	Bar-Pin Bushing, See SRK-645	90008265	2	4	6	3.72 [1.69]
4	Spacer	Consult SAF-HOLLAND	4	8	12	N/A
5	Washer, 0.62" ID	Consult SAF-HOLLAND	8	16	24	N/A
6	Lock Nut, 0.62" GRC	Consult SAF-HOLLAND	4	8	12	N/A
7	Hex Bolt, 0.62"-11 x 3.00" GR8	Consult SAF-HOLLAND	4	8	12	N/A
8	V-Rod Assembly with Bushings	90548992	1	2	3	78.90 [35.79]
9	Washer, 4" Dia. Tapered	93600561	6	12	18	0.48 [0.22]
10	Thru Bolt Bushing, See SRK-645	90008264 ♦	1	2	3	2.60 [1.18]
11	Upper Axle Bracket (V-Rod)	Consult SAF-HOLLAND**	1	2	3	N/A
12	Pinion Plate (Replacement Only)					
	0°, 4°, 5°, 9°, 10°, 14°	90034815†	2	4	6	0.52 [0.24]
	1°, 3°, 6°, 8°, 11°, 13°	90034813†	2	4	6	0.52 [0.24]
	2°, 7°, 12°	90034817†	2	4	6	0.52 [0.24]
13	Washer, 1.00" Inside Dia.	93600168	10	20	30	0.08 [0.04]
14	Lock Nut, 1" GRC	93400502	5	10	15	0.34 [0.15]
15	Hex Bolt, 1.00"-8 x 6.00" GR8	93004301	1	2	3	2.00 [0.91]
16	Axle Stop, 10" Ride Height LH Trucks w/Drum Brakes	90045616	1	2	3	4.15 [1.88]
	Axle Stop, 10.00" Ride Height RH (Drum Brakes)	90045618	1	2	3	4.15 [1.88]
	Axle Stop, 10.00" Ride Height LH (Disc Brakes)	90045633	1	2	3	4.52 [2.05]
	Axle Stop, 10.00" Ride Height RH (Disc Brakes)	90045635	1	2	3	4.52 [2.05]
	Axle Stop, 12.00" Ride Height LH	90045620	1	2	3	5.13 [2.33]
	Axle Stop, 12.00" Ride Height RH	90045622	1			5.13 [2.33]
17	Shock Absorber	90045605	2			11.40 [5.17]
18	HCV Link Bracket	90026410	*			0.53 [0.24]
19	Washer, 0.75" ID	93600156	20			0.04 [0.02]
20	Lock Nut, 0.75"-10 GR C	93400494	12			0.11 [0.05]

Parts List continued on next page

IMPORTANT: The part numbers listed may not correspond with your vehicle's ADZ installation. Contact your vehicle OEM for your specific part number information.

NOTE: Part quantities listed may reflect usage in several locations.

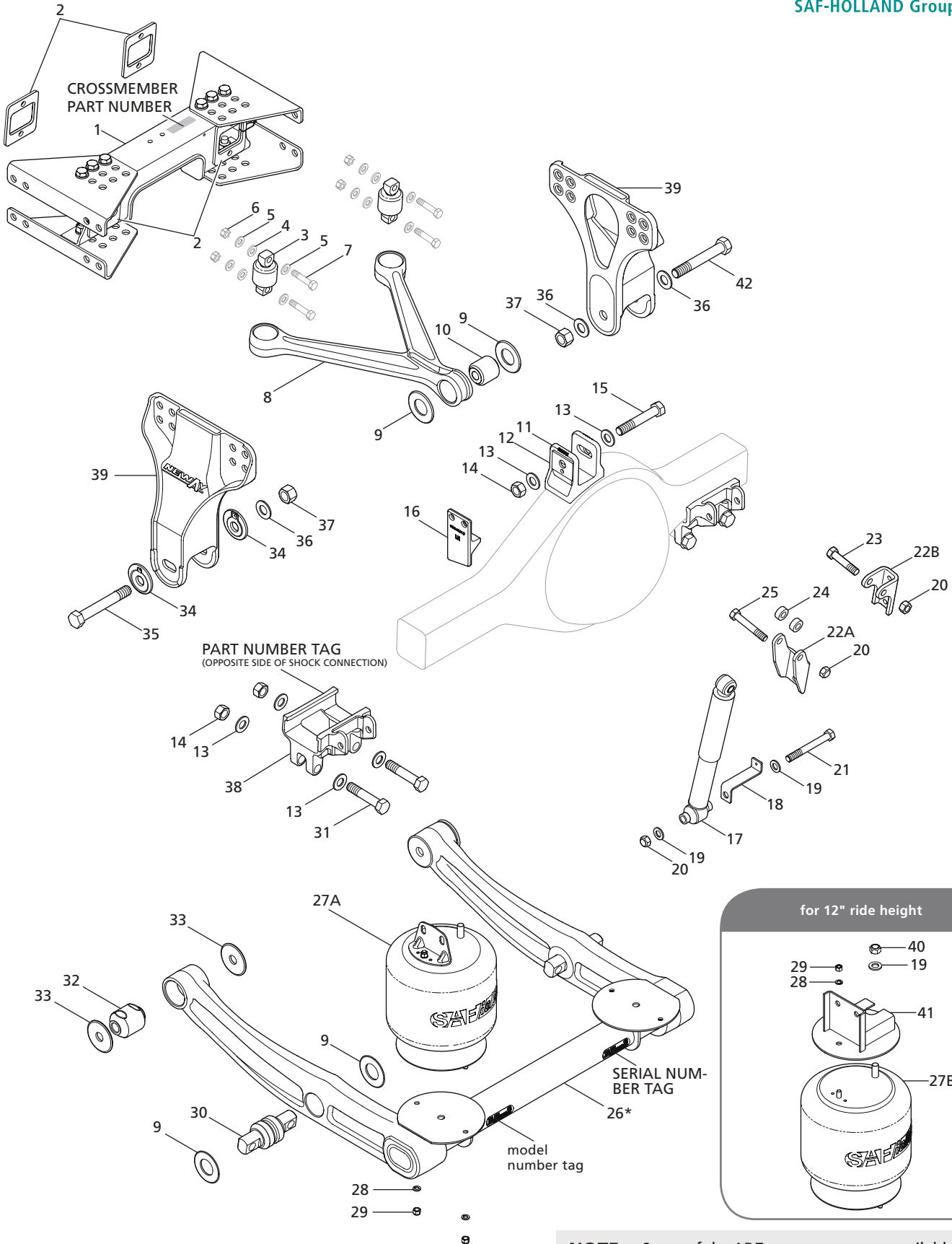
* It is recommended that you discuss your configuration with a SAF-HOLLAND Product Specialist.

** For Meritor: RT 40 / 41 / 45 - 145
RS 23 - 160
RT 46 - 160
For Dana: 23082T
523 - 170
526 - 190
DT46 - P
D46 - 170
46 - 590 HB (46 - 170)
DSP40 DSH40

† See Pinion Angle Reference Chart in the Maintenance and Parts Manual XL-PS10452MM-en-US Section 8.

♦ NOT for individual sale.

ADZ-123, ADZ-246, ADZ-369 Exploded View



NOTE: Some of the ADZ components are available in Service Repair Kits found later in this Section.

ITEM	DESCRIPTION	PART NUMBER	QTY PER AXLE			WEIGHT LBS. [KG]
			SINGLE AXLE ADZ-123	TANDEM AXLE ADZ-246	TRI-AXLE ADZ-369	
21	Hex Bolt, 0.75"-10 x 6.25" GR5	93003663	2	4	6	1.00 [0.45]
22A	Upper Shock Bracket 10" Ride Height	90018729	2	4	6	3.78 [1.71]
22B	Upper Shock Bracket 12" Ride Height	90018542	2	4	6	2.40 [1.08]
23	Hex Bolt, 0.75"-10 x 3.5" GR5	93003597	2	4	6	0.52 [0.23]
24	Spacer Washer, 10" Ride Height	90036278	4	8	12	0.18 [0.08]
25	Hex Bolt, 0.75"-10 x 4.75" GR5	93003627	2	4	6	0.68 [0.31]
26	Lower Control Arm Assembly	Consult SAF-HOLLAND*	1	2	3	N/A
27A	Air Spring, 10" Ride Height	90557368	2	4	6	15.00 [6.80]
27B	Air Spring, 12" Ride Height	90557395	2	4	6	15.00 [6.80]
28	Lock Washer, 0.53" ID	93600072	4	8	12	0.01 [0.005]
29	Nut, 0.50"-13 GRB	93400136	4	8	12	0.04 [0.02]
30	Bar-Pin Bushing, See SRK-644	90008267♦	2	4	6	6.30 [2.86]
31	Hex Bolt, 1" - 8 x 5" GR8	93004277	4	8	12	1.33 [0.60]
32	Bushing, See SRK-643	90008279♦	2	4	6	2.13 [0.97]
33	Washer, 4" Dia. with Chamfer	93600502	4	8	12	0.78 [0.35]
	Washer, 4" Dia, Thin	93600539	4	8	12	0.37 [0.17]
34	Alignment Puck (Collar)	90001760	2	4	6	1.04 [0.47]
35	Hex Bolt, 1.12"-7 x 7.75" GR8	93006037	1	2	3	2.52 [1.14]
36	Washer, 1.12" ID	93600174	2	4	6	0.11 [0.05]
37	Lock Nut, 1.12"-7 GRC	93400506	2	4	6	0.38 [0.17]
38	Lower Axle Adapter Bracket LH & RH**	Consult SAF-HOLLAND*	2	4	6	N/A
39	Frame Bracket, Fixed 10" Ride Height	90018748	1	2	3	41.80 [18.96]
	Frame Bracket, Adjustable 10" Ride Height	90018746	1	2	3	41.50 [18.82]
	Frame Bracket, Fixed 12" Ride Height	90522355	1	2	3	60.10 [27.26]
	Frame Bracket, Adjustable 12" Ride Height	90522353	1	2	3	59.90 [27.17]
40	Lock Nut, 0.75"-16 GRB	93400417	2	4	6	0.04 [0.02]
41	Upper Air Spring Bracket 12" Ride Height	90522289	2	4	6	8.07 [3.66]
42	Hex Bolt, 1.12"-7 x 7" GR8	93006041	1	2	3	2.47 [1.12]

IMPORTANT: The part numbers listed may not correspond with your vehicle's ADZ installation. Contact your vehicle OEM for your specific part number information.

NOTE: Part quantities listed may reflect usage in several locations.

* It is recommended that you discuss your configuration with a SAF-HOLLAND Product Specialist.

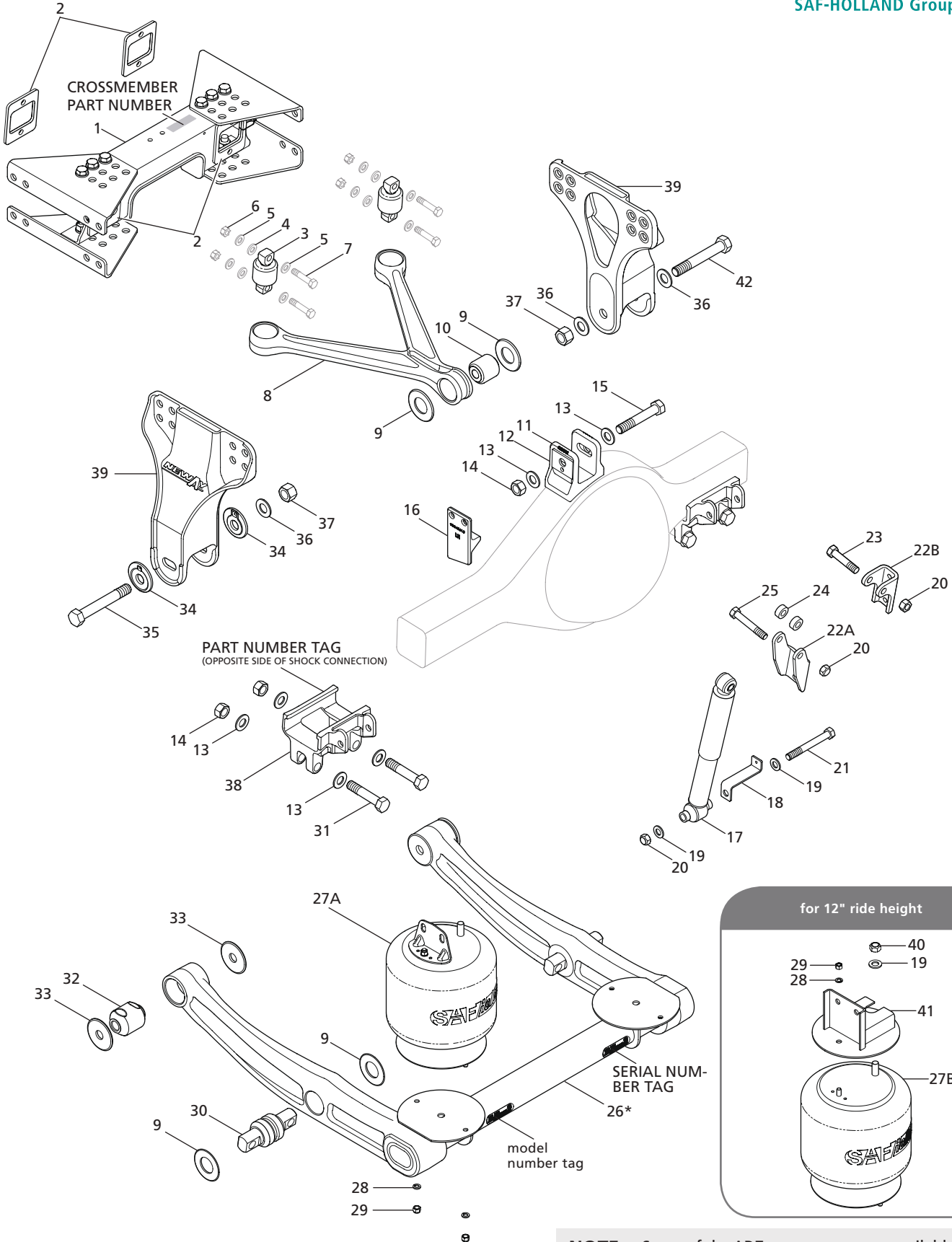
** For Meritor: RT 40 / 41 / 45 - 145
RS 23 - 160
RT 46 - 160

For Dana: 23082T
523 - 170
526 - 190
DT46 - P
D46 - 170
46 - 590 HB (46 - 170)
DSP40 DSH40

† See Pinion Angle Reference Chart in the Maintenance and Parts Manual XL-PS10452MM-en-US Section 8.

♦ NOT for individual sale.

ADZ-126, ADZ-252, ADZ-378 Exploded View



NOTE: Some of the ADZ components are available in Service Repair Kits found later in this Section.

ITEM	DESCRIPTION	PART NUMBER	QTY PER AXLE			WEIGHT LBS. [KG]
			SINGLE AXLE ADZ-126	TANDEM AXLE ADZ-246	TRI-AXLE ADZ-378	
1	Frame Crossmember Assembly	Consult SAF-HOLLAND*	1	2	3	N/A
2	Backer Plate	90034740	2	4	6	1.41 [0.64]
3	Bar-Pin Bushing, See SRK-645	90008265♦	2	4	6	3.72 [1.69]
4	Spacer, 0.62" ID	Consult SAF-HOLLAND	4	8	12	N/A
5	Washer, 0.62" ID	Consult SAF-HOLLAND	8	16	24	N/A
6	Lock Nut, 0.62" GRC	Consult SAF-HOLLAND	4	8	12	N/A
7	Hex Bolt, 0.62"-11 x 3" GR8	Consult SAF-HOLLAND	4	8	12	N/A
8	V-Rod Assembly with Bushing	90548992	1	2	3	78.90 [35.79]
9	Washer, 4" Dia. Tapered	93600561	6	12	18	0.48 [0.22]
10	Thru Bolt Bushing, See SRK-645	90008264♦	1	2	3	2.60 [1.18]
11	Upper Axle Bracket (V-Rod) **	Consult SAF-HOLLAND*	1	2	3	N/A
12†	Pinion Plate (Replacement Only)					
	0°, 4°, 5°, 9°, 10°, 14°	90034815	2	4	6	0.52 [0.24]
	1°, 3°, 6°, 8°, 11°, 13°	90034813	2	4	6	0.52 [0.24]
	2°, 7°, 12°	90034817	2	4	6	0.52 [0.24]
13	Washer, 1" Inside Dia.	93600168	10	20	30	0.08 [0.04]
14	Lock Nut, 1" GRC	93400502	5	10	15	0.34 [0.15]
15	Hex Bolt, 1"-8 x 6" GR8	93004301	1	2	3	2.00 [0.91]
16	Axle Stop, 10" Ride Height LH Trucks with Drum Brakes	90045623	1	2	3	4.98 [2.26]
	Axle Stop, 10" Ride Height RH Trucks with Drum Brakes	90045625	1	2	3	4.98 [2.26]
	Axle Stop, 10" Ride Height LH Trucks with Disc Brakes	90045637	1	2	3	5.63 [2.55]
	Axle Stop, 10" Ride Height RH Trucks with Disc Brakes	90045639	1	2	3	5.63 [2.55]
	Axle Stop - 12" Ride Height LH	90045627	1	2	3	6.71 [3.04]
	Axle Stop - 12" Ride Height RH	90045629	1	2	3	6.71 [3.04]
17	Shock Absorber	90045605	2	4	5	11.40 [5.17]
18	HCV Link Bracket	90026410	*	*	*	0.53 [0.24]
19	Washer, 0.75" ID	93600156	20	40	60	0.04 [0.02]
20	Lock Nut, 0.75"-10 GR C	93400494	12	24	36	0.11 [0.05]

Parts List continued on next page

NOTE: Part quantities listed may reflect usage in several locations.

IMPORTANT: The part numbers listed may not correspond with your vehicle's ADZ installation. Contact your vehicle OEM for your specific part number information.

* It is recommended that you discuss your configuration with a SAF-HOLLAND Product Specialist.

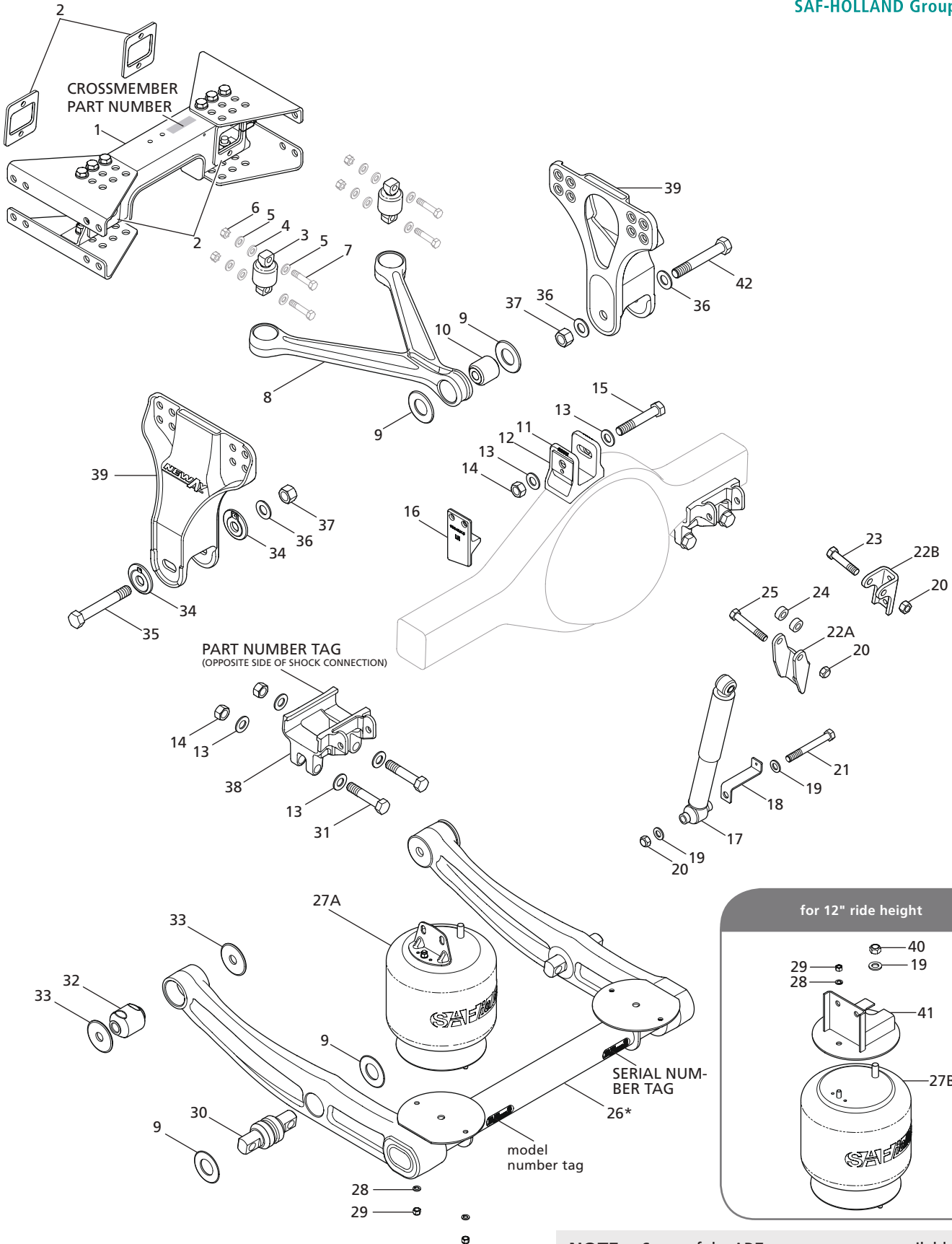
** For Meritor: RT 40 / 41 / 45 - 145
RS 23 - 160
RT 46 - 160

For Dana: 23082T
523 - 170
526 - 190
DT46 - P
D46 - 170
46 - 590 HB (46 - 170)
DSP40 DSH40

† See Pinion Angle Reference Chart in the Maintenance and Parts Manual XL-PS10452MM-en-US Section 8.

♦ NOT for individual sale.

ADZ-126, ADZ-252, ADZ-378 Exploded View



NOTE: Some of the ADZ components are available in Service Repair Kits found later in this Section.

ITEM	DESCRIPTION	PART NUMBER	QTY PER AXLE			WEIGHT LBS. [KG]
			SINGLE AXLE ADZ-126	TANDEM AXLE ADZ-246	TRI-AXLE ADZ-378	
21	Hex Bolt, 0.75"-10 x 6.25" GR5	93003663	2	4	6	1.00 [0.45]
22A	Upper Shock Bracket 10" Ride Height	90018729*	2	4	6	3.78 [1.71]
22B	Upper Shock Bracket 12" Ride Height	90018542*	2	4	6	2.40 [1.08]
23	Hex Bolt, 0.75"-10 x 3.5" GR5	93003597	2	4	6	0.52 [0.23]
24	Spacer Washer, 10" Ride Height	90036278	4	8	12	0.18 [0.08]
25	Hex Bolt, 0.75"-10 x 4.75" GR5	93003627	2	4	6	0.68 [0.31]
26	Lower Control Arm Assembly	Consult SAF-HOLLAND*	1	2	3	N/A
27	Air Spring	90557392	2	4	6	20.00 [9.07]
28	Lock Washer - .53" ID	93600072	4	8	12	0.01 [0.005]
29	Nut, 0.50"-13 GRB	93400136	4	8	12	0.04 [0.02]
30	Bar-Pin Bushing, See SRK-644	90008267♦	2	4	6	6.30 [2.86]
31	Hex Bolt, 1" - 8 x 5" GR8	93004277	4	8	12	1.33 [0.60]
32	Bushing, See SRK-643	90008279♦	2	4	6	2.13 [0.97]
33	Washer, 4" Dia. with Chamfer	93600502	4	8	12	0.78 [0.35]
	Washer, 4" Dia, Thin	93600539	4	8	12	0.37 [0.17]
34	Alignment Puck (Collar)	90001760	2	4	6	1.04 [0.47]
35	Hex Bolt, 1.12"-7 x 7.75" GR8	93006037	1	2	3	2.52 [1.14]
36	Washer, 1.12" ID	93600174	2	2	6	0.11 [0.05]
37	Lock Nut, 1.12"-7 GRC	93400506	2	4	6	0.38 [0.17]
38	Lower Axle Adapter Bracket Left and Right Hand**	Consult SAF-HOLLAND*	2	4	6	N/A
39	Frame Bracket, Fixed 10" Ride Height	90018748	1	2	3	41.80 [18.96]
	Frame Bracket, Adjustable 10" Ride Height	90018746	1	2	3	41.50 [18.82]
	Frame Bracket, Fixed 12" Ride Height	90522355	1	2	3	60.10 [27.26]
	Frame Bracket, Adjustable 12" Ride Height	90522353	1	2	3	59.90 [27.17]
40	Lock Nut, 0.75"-16 GRB	93400417	2	4	6	0.04 [0.02]
41A	Upper Air Spring Bracket 10" Ride Height	90531001	2	4	6	6.00 [2.72]
41B	Upper Air Spring Bracket 12" Ride Height	90522289	2	4	6	8.07 [3.66]
42	Hex Bolt, 1.12"-7 x 7" GR8	93006041	1	2	3	2.47 [1.12]
43	Upper Air Spring Bracket	90023131	2	4	6	2.23 [1.01]

NOTE: Part quantities listed may reflect usage in several locations.

IMPORTANT: The part numbers listed may not correspond with your vehicle's ADZ installation. Contact your vehicle OEM for your specific part number information.

* It is recommended that you discuss your configuration with a SAF-HOLLAND Product Specialist.

** For Meritor: RT 40 / 41 / 45 - 145
RS 23 - 160
RT 46 - 160

For Dana: 23082T
523 - 170
526 - 190
DT46 - P
D46 - 170
46 - 590 HB (46 - 170)
DSP40 DSH40

† See Pinion Angle Reference Chart in the Maintenance and Parts Manual XL-PS10452MM-en-US Section 8.

♦ NOT for individual sale.

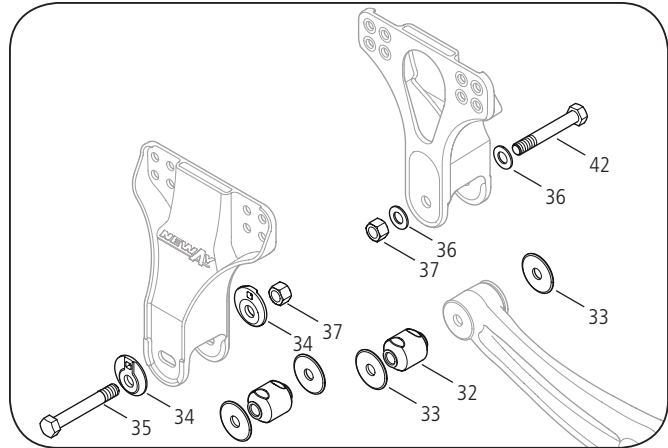
4. Service Repair Kits

Front Pivot Bushing Connection Kit

Part Number: 48100509 SRK-643

ITEM	DESCRIPTION	PART NUMBER	QTY	WEIGHT LBS. [KG]
32	Bushing	90008279	2	2.13 [0.97]
33*	Washer, 4" Dia. with Chamfer	93600502	4	0.78 [0.35]
	Washer, 4" Dia, Thin	93600539	4	0.37 [0.17]
34	Alignment Puck (Collar)	90001546	2	0.94 [0.42]
35	Hex Bolt, 1.12"-7 x 7.75" GR8	93006037	1	2.52 [1.14]
36	Washer, 1.12" ID	93600174	3	0.11 [0.05]
37	Lock Nut, 1.12"-7 GRC	93400506	2	0.38 [0.17]
42	Hex Bolt, 1.12"- 7 x 7" GR8	93006041	1	2.47 [1.12]

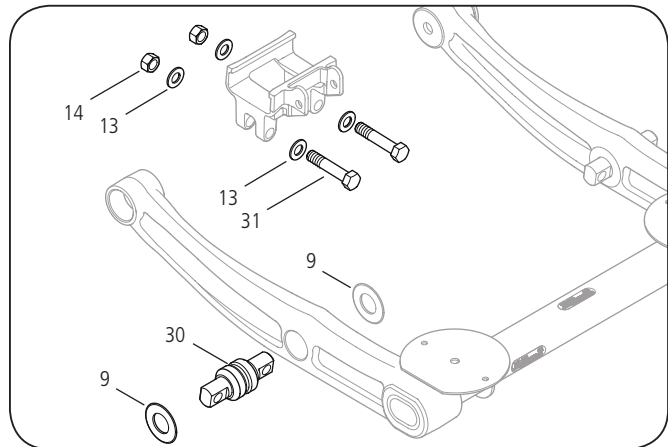
* Use both washers for Frame Brackets with wider clevis openings.



Axle Bar-Pin Bushing Connection Kit

Part Number: 48100510 SRK-644

ITEM	DESCRIPTION	PART NUMBER	QTY	WEIGHT LBS. [KG]
30	Bar-Pin Bushing	90008267	2	6.30 [2.86]
9	Washer, 4" Dia. with Chamfer	93600561	4	0.48 [0.22]
13	Washer, 1" Inside Dia.	93600168	8	0.08 [0.04]
14	Lock Nut, 1" GRC	93400502	4	0.34 [0.15]
31	Hex Bolt, 1"- 8 x 5" GR8	93004277	4	1.33 [0.60]

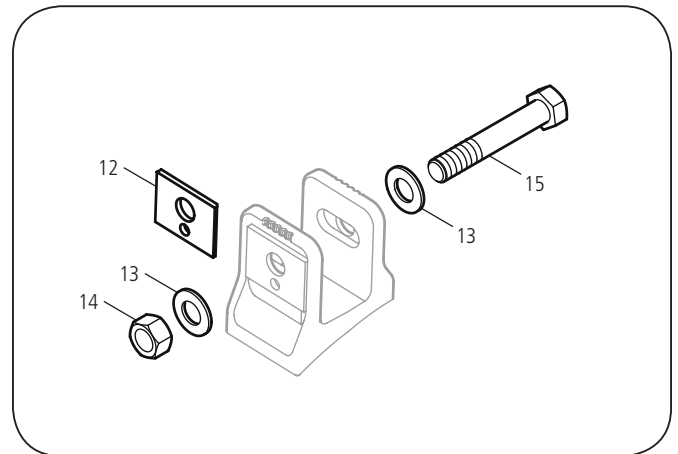


Pinion Plate Hardware Kit

Part Number: 48100549 SRK-683

ITEM	DESCRIPTION	PART NUMBER	QTY	WEIGHT LBS. [KG]
12†	Pinion Plate	See Note Below	2	N/A
13	Washer, 1" Inside Dia.	93600168	2	0.08 [0.04]
14	Lock Nut, 1" GRC	93400502	1	0.34 [0.15]
15	Hex Bolt, 1"-8 x 6" GR8	93004301	1	2.00 [0.91]

† Pinion Plate not included in kit. Must be order separately.
 Part Number: 90034815 - 0°, 4°, 5°, 9°, 10°, 14°
 Part Number: 90034813 - 1°, 3°, 6°, 8°, 11°, 13°
 Part Number: 90034817 - 2°, 7°, 12°
 Quantity two (2) per axle.
 For proper component, see Pinion Angle Reference Chart in Section 8.



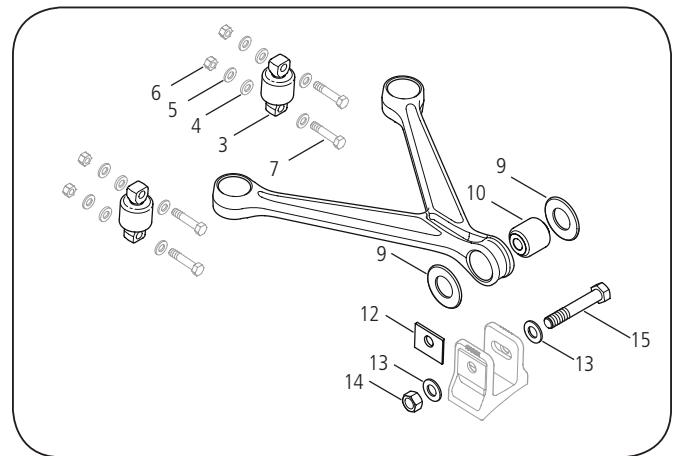
V-Rod Bushing Connection Kit

Part Number: 48100511 SRK-645

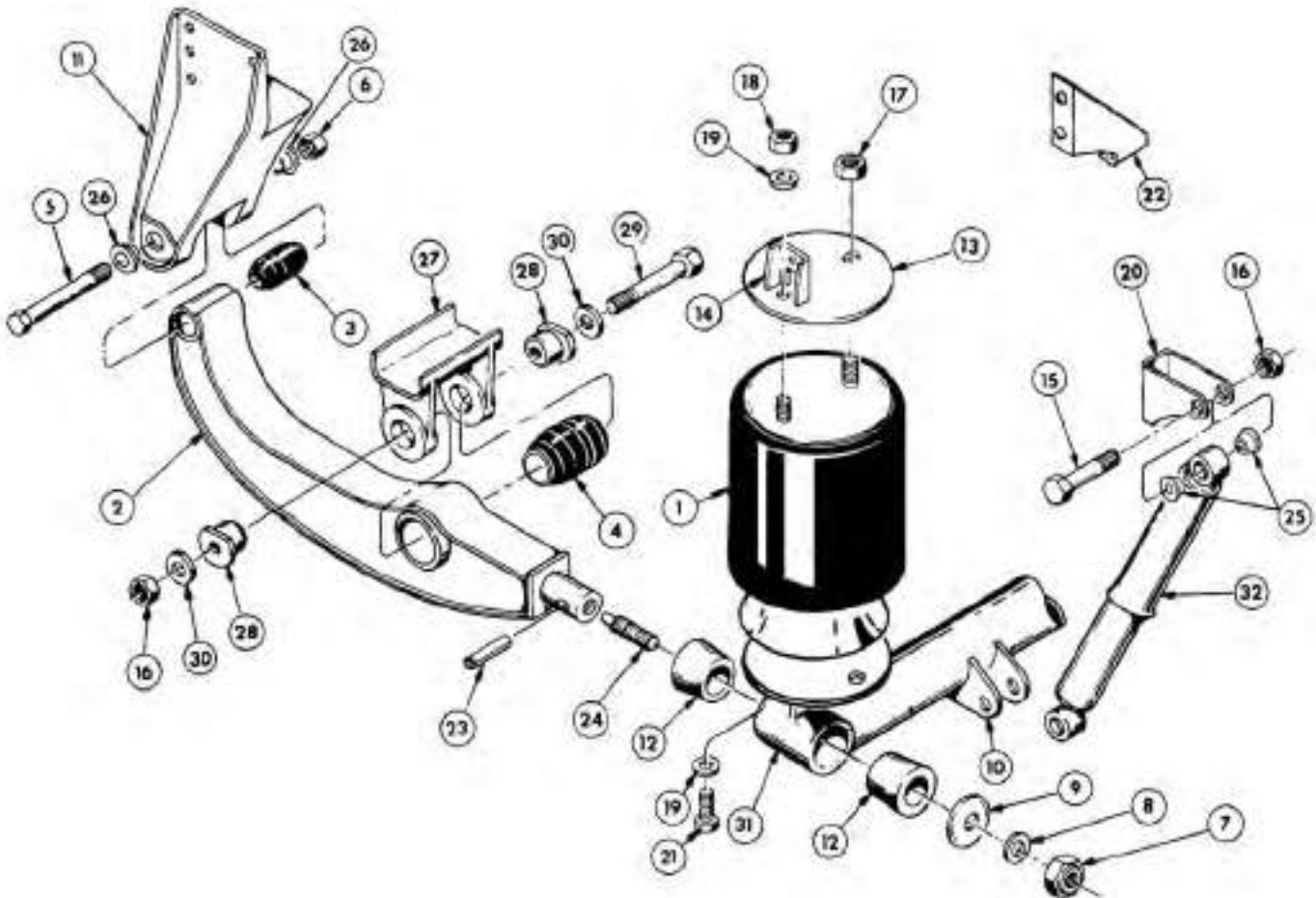
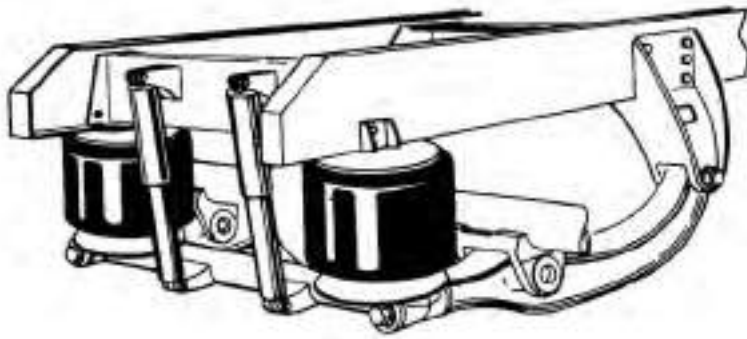
ITEM	DESCRIPTION	PART NUMBER	QTY	WEIGHT LBS. [KG]
3	Bar-Pin Bushing	90008265	2	3.72 [1.69]
4	Spacer, 0.62" ID	Consult SAF-HOLLAND	4	N/A
5	Washer, 0.62" ID	Consult SAF-HOLLAND	8	N/A
6	Lock Nut, 0.62" GRC	Consult SAF-HOLLAND	4	N/A
7	Hex Bolt, 0.62"-11 x 3" GR 8	Consult SAF-HOLLAND	4	N/A
9	Washer, 4" Dia. with Chamfer	93600561	2	0.48 [0.22]
10	Thru Bolt Bushing	90008264	1	2.60 [1.18]
12†	Pinion Plate	See Note Below	2	N/A
13	Washer, 1" Inside Dia.	93600168	2	0.08 [0.04]
14	Lock Nut, 1" GRC	93400502	1	0.34 [0.15]
15	Hex Bolt, 1"-8 x 6" GR8	93004301	1	2.00 [0.91]

NOTE: SAF-HOLLAND offers a standard pinion plate system for retrofit/aftermarket replacement.

† Pinion Plate not included in kit. Must be order separately.
 Part Number: 90034815 - 0°, 4°, 5°, 9°, 10°, 14°
 Part Number: 90034813 - 1°, 3°, 6°, 8°, 11°, 13°
 Part Number: 90034817 - 2°, 7°, 12°
 Quantity two (2) per axle.
 For proper component, see Pinion Angle Reference Chart in Section 8.



ARD-120-6, -238-6 Exploded View



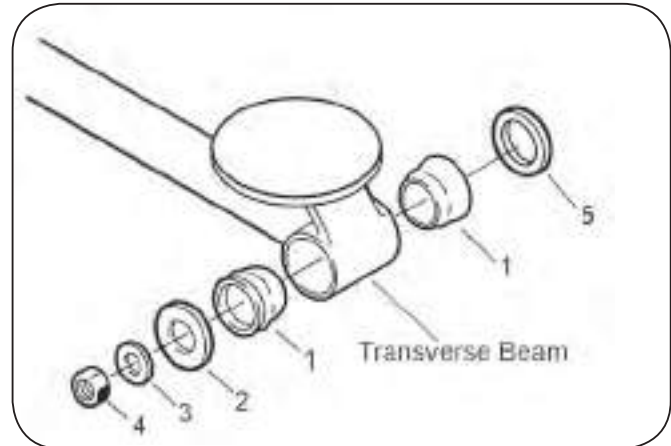
**DISCONTINUED MODEL
SERVICE PARTS ONLY**
Please contact Customer Service for part availability
800.876.3929

ITEM	DESCRIPTION	PART NUMBER	ARD-120-6 QTY REQD	ARD-238-6 QTY REQD	WEIGHT LBS. [KG]
1	Air Spring	90557031	2	4	17.25 [7.82]
2	Equalizing Beam Assembly (Includes Item #3, 4, 23, 24)	90516151	2	4	85.00 [38.56]
3	Rubber Bushing (Front Pivot)	90008145	2	4	1.95 [0.88]
4	Rubber Bushing (Axle Connection)	90008008	2	4	4.05 [1.84]
5	Cap Screw 1-1/8 - 7 x 9-1/4" Gr8	93201055	2	4	2.92 [1.32]
6	Lock Nut 1 1/8 - 7 GrC	93400506	2	4	0.38 [0.17]
7	Lock Nut 1 1/4 - 12 GrC	93400511	2	4	0.50 [0.22]
8	Washer 1 1/4	93600180	2	4	0.13 [0.06]
9	Spacer Washer	90036007	2	4	1.52 [0.69]
10	Lower Shock Bracket	90018482	2	4	2.00 [0.91]
11	Frame Bracket Fixed (Includes Item #26)	90519733	1	2	N/A
	Frame Bracket Adjustable	90018431	1	2	N/A
12	Rubber Bushing (Transverse Beam)	90008113	4	8	1.71 [0.78]
13	Air Spring Mounting Plate	90031027	2	4	5.30 [2.40]
14	Bracket	90018036	2	4	0.64 [0.29]
15	Cap Screw 3/4 - 10 x 3 1/2" Gr5	93003597	4	8	0.52 [0.23]
16	Lock Nut 3/4 - 10 GrB	93400492	6	12	0.13 [0.06]
17	Lock Nut 3/4 - 16 GrA	93400417	2	4	0.04 [0.02]
18	Nut 1/2 - 13 GrB	93400136	2	4	0.04 [0.02]
19	Lock Washer 1/2	93600072	6	12	0.01 [0.005]
20	Upper Shock Bracket	90018367	2	4	1.80 [0.81]
21	Cap Screw 1/2 - 13 x 1" Gr2	93002893	4	8	0.08 [0.04]
22	Brace	90023131	2	4	2.23 [1.01]
23	Roll Pin	90044174	2	4	0.08 [0.04]
24	Stud 1 1/4 - 12 x 4 1/4" Gr5	90006380	2	4	1.52 [0.68]
25	Replacement Shock Bushing	90508004	8	16	0.20 [0.09]
26	Alignment Bushing	90008150	4	8	0.93 [0.42]
27	Beam Hanger Brackets	N/A	Contact Axle Manufacturer		N/A
28	Adapter Bushing	90001002	4	8	2.30 [1.04]
29	Cap Screw 3/4 - 10 x 7" Gr5	93003681	2	4	0.95 [0.42]
30	Washer 3/4	93600156	4	8	0.04 [0.02]
31	Transverse Beam Assembly (Includes Item #3a)	90544755	1	2	52.00 [23.58]
32	Shock Absorber	90044025	2	4	6.76 [3.06]

NOTE: Refer to Parts Identification section for Track Bar/ Torque Bar (CAK) Information.

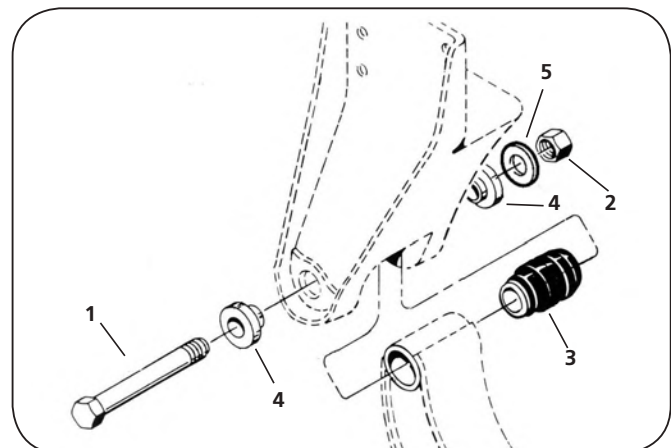
Transverse Connection SRK-77-1: 48100161

ITEM	DESCRIPTION	PART NUMBER	QTY	WEIGHT LBS. [KG]
1	Rubber Bushing	90008113	4	1.71 [0.78]
2	Spacer Washer	90036007	2	1.52 [0.69]
3	Washer Flat 1.38"	93600470	2	N/A
4	Nut,Hex,Lock 1.25-12 Gr C	93400511	2	0.50 [0.23]
5	Nut Hex 1.125-7 Gr C	93400512	2	N/A



Pivot Connection (With Alignment Bushing) SRK-147: 48100204

ITEM	DESCRIPTION	PART NUMBER	QTY	WEIGHT LBS. [KG]
1	Bolt Hex 1.125 - 7 x 9.53" Gr 8	93201055	2	2.92 [1.32]
2	Nut,Hex,Lock 1.125 - 7 Gr C	93400506	2	0.38 [0.17]
3	Bushing	90008145	2	1.95 [0.88]
4	Bushing, Alignment	90008150	4	0.93 [0.42]
5	Washer Flat Narrow 1.12"	93600174	2	0.11[0.05]

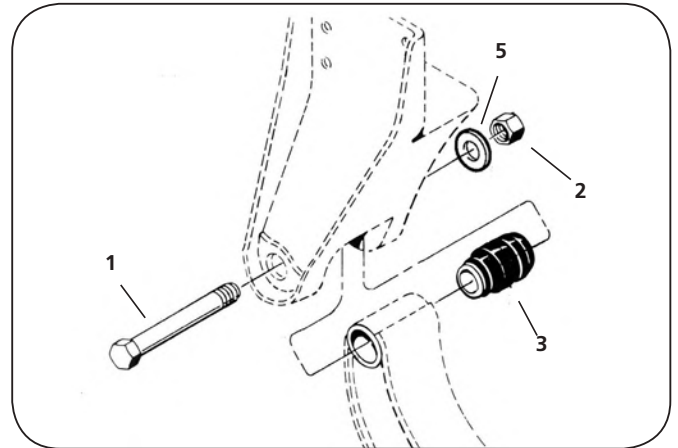


DISCONTINUED MODEL SERVICE PARTS ONLY

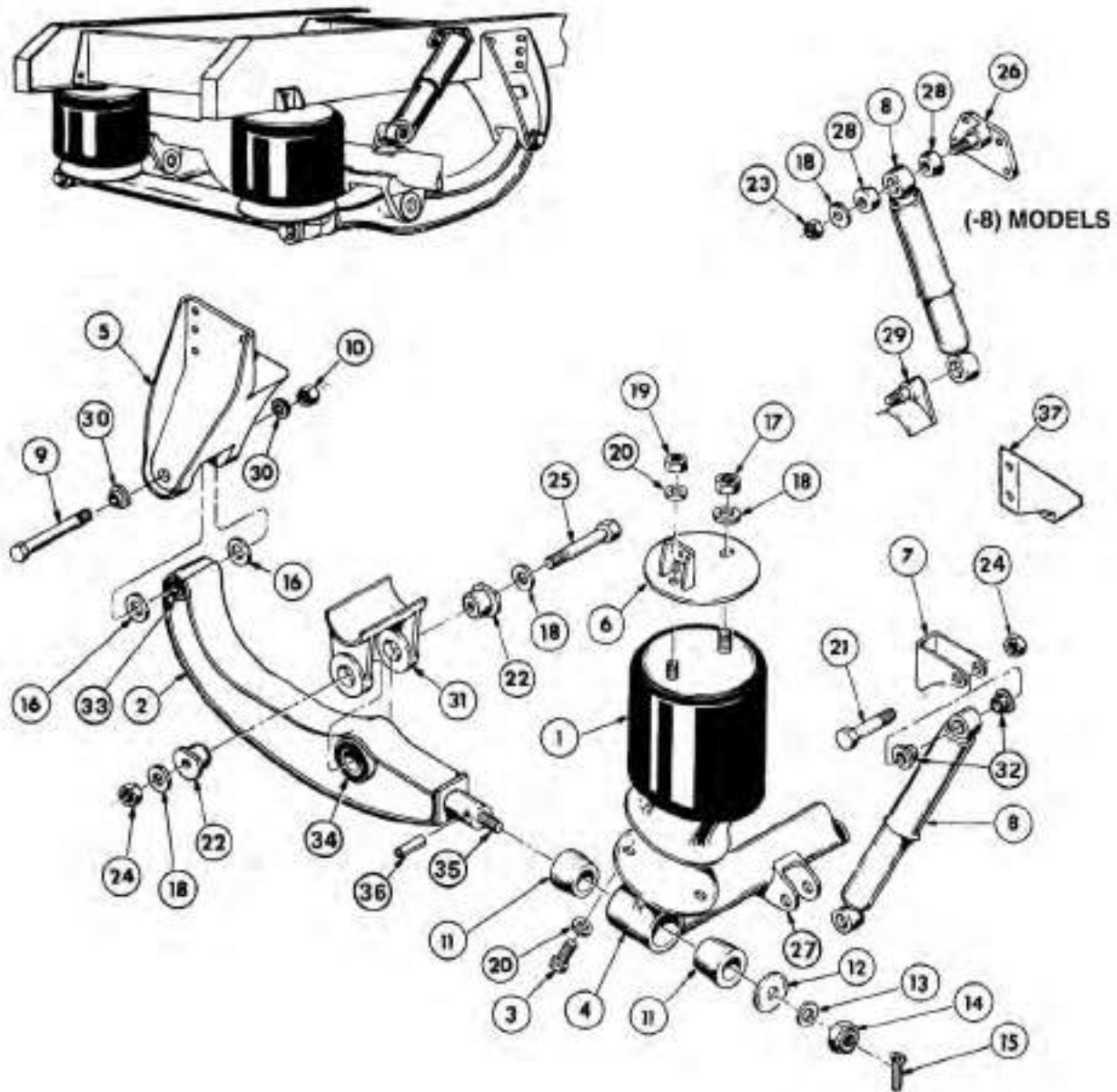
Please contact Customer Service for part availability
800.876.3929

Pivot Connection (without Alignment Bushing)
SRK-148: 48100205

ITEM	DESCRIPTION	PART NUMBER	QTY	WEIGHT LBS. [KG]
1	Bolt Hex 1.125 - 7 x 9.53" Gr 8	93201055	2	2.92 [1.32]
2	Nut,Hex,Lock 1.125 - 7 Gr C	93400506	2	0.38 [0.17]
3	Bushing	90008145	2	1.95 [0.88]
5	Washer Flat Narrow 1.12"	93600174	2	0.11[0.05]



ARD-125-6, -8, ARD-244-6, -8 Exploded View



DISCONTINUED MODEL SERVICE PARTS ONLY

Please contact Customer Service for part availability
800.876.3929

ITEM	DESCRIPTION	PART NUMBER	ARD -125-6 QTY REQD	ARD -125-8 QTY REQD	ARD -244-6 QTY REQD	ARD -244-8 QTY REQD	WEIGHT LBS. [KG]
1	Air Spring	90557027	2	2	4	4	15.00 [6.80]
2	Equalizing Beam Assembly (Includes Item #33, 34, 35, 36)	*	2	2	4	4	N/A
3	Cap Screw 1/2 - 13 x 1" Gr2	93002893	4	4	8	8	0.08 [0.04]
4	Transverse Beam Assembly (Includes Item #27)	90544079	1	-	2	-	56.00 [25.40]
	Transverse Beam Assembly	90544112	-	1	-	2	52.00 [23.59]
5**	Frame Bracket LH - Undrilled (8 3/4" & 10" Ride Height Only)	90018578	1	1	2	2	40.90 [18.55]
	Frame Bracket RH - Undrilled (8 3/4" & 10" Ride Height Only)	90018579	1	1	2	2	40.90 [18.55]
6	Air Spring Mounting Plate	90531001	2	2	4	4	6.00 [2.72]
7	Upper Shock Mounting Bracket	90018116	2	-	4	-	3.20 [1.45]
8	Shock Absorber	90044025	2	-	4	-	6.76 [3.06]
	Shock Absorber	90044011	-	2	-	4	6.93 [3.14]
9	Cap Screw 1 1/4 - 12 x 9 11/16" (pre 1981 w/o alignment bushings)	93200132	2	2	4	4	4.00 [1.81]
	Cap Screw 1 1/4 - 12 x 10 9/16" (pre 1981 w/ alignment bushings)	93201030	2	2	4	4	4.33 [1.96]
	Cap Screw 1 1/8 - 7 x 9 1/4" Gr8 (1981 & later)	93201055	2	2	4	4	2.92 [1.32]
10	Lock Nut 1 1/4 - 12 GrC	93400511	2	2	4	4	0.50 [0.22]
	Lock Nut 1 1/8 - 7 GrC	93400506	2	2	4	4	0.38 [0.17]
11	Rubber Bushing (Transverse Beam)	90008113	4	4	8	8	1.71 [0.78]
12	Spacer Washer	90036007	2	2	4	4	1.52 [0.69]
13	Washer 1 1/4	93600180	2	2	4	4	0.13 [0.06]
14	Lock Nut 1 1/4 - 12 GrC	93400511	2	2	4	4	0.50 [0.22]
15	Cotter Pin (pre 1981)	93800065	2	2	4	4	0.10 [0.05]
16	Spacer Washer 1 1/4 (pre 1981)	90036001	4	4	8	8	0.56 [0.25]
	Spacer Washer 1 1/8 (1981 & later)	93600495	4	4	8	8	0.40 [0.18]
17	Lock Nut 3/4 - 16 GrA	93400417	2	2	4	4	0.04 [0.02]
18	Washer 3/4	93600156	4	4	8	8	0.04 [0.02]
19	Nut 1/2 - 13 GrB	93400136	2	2	4	4	0.04 [0.02]
20	Lock Washer 1/2	93600072	6	6	12	12	0.01 [0.005]
21	Cap Screw 3/4 - 10 x 3 1/2" Gr5	93003597	4	-	8	-	0.52 [0.23]
22	Adapter Bushing	90001002	4	4	8	8	2.30 [1.04]
23	Lock Nut 3/4 - 10 GrA	93400553	-	4	-	8	0.07 [0.03]
24	Lock Nut 3/4 - 10 GrB	93400492	6	2	12	4	0.13 [0.06]
25	Cap Screw 3/4 - 10 x 7" Gr5 (5 1/4" long bushing)	93003681	2	2	4	4	0.95 [0.42]
	Cap Screw 3/4 - 10 x 7 1/2" Gr5 (5 3/4" long bushing)	93003693	2	2	4	4	1.00 [0.45]
26	Upper Shock Bracket LH	90518335	-	1	-	2	N/A
	Upper Shock Bracket RH	90518336	-	1	-	2	N/A
27	Lower Shock Bracket	90018482	2	-	4	-	2.00 [0.91]
28	Replacement Shock Bushing	90008003	-	8	-	16	0.05 [0.02]
29	Lower Shock Bracket	90519240	-	2	-	4	3.00 [1.36]
30	Alignment Bushing (pre 1981)	90008110	4	4	8	8	0.53 [0.24]
	Alignment Bushing (1981 & later)	90008120	4	4	8	8	0.95 [0.43]
31	Beam Hanger Brackets	N/A	Contact Axle Manufacturer				N/A
32	Replacement Shock Bushing	90508004	8	-	16	-	0.20 [0.09]
33	Rubber Bushing (Front Pivot - pre 1981)	90008002	2	2	4	4	1.51 [0.68]
	Rubber Bushing (Front Pivot - 1981 & later)	90008131	2	2	4	4	0.80 [0.36]
34	Rubber Bushing (Axle Connection) 5 1/4" long	90008006	2	2	4	4	3.84 [1.74]
	Rubber Bushing (Axle Connection) 5 3/4" long	90008008	2	2	4	4	4.05 [1.84]
35	Stud 1 1/4 - 12 x 4 1/4" Gr5	90006380	2	2	4	4	1.52 [0.68]
36	Roll Pin	90044174	2	2	4	4	0.08 [0.04]
37	Brace	90023131	1	1	2	2	2.23 [1.01]

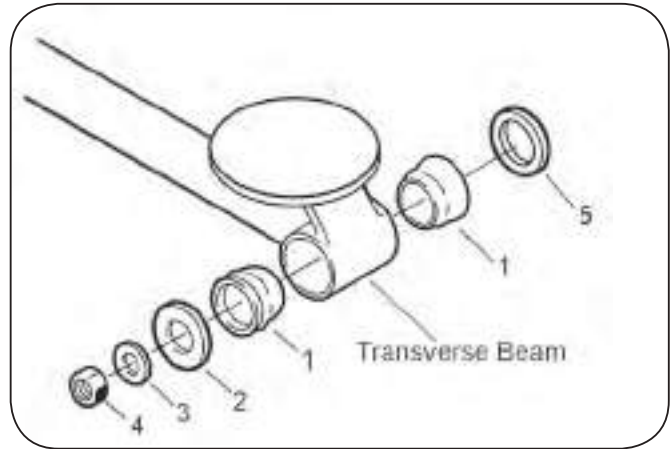
* Refer to page 1-73 for Equalizing Beam part numbers

** Replacement Frame Brackets can be ordered either "Drilled" or "Undrilled". The undrilled frame brackets listed are for 8 3/4" and 10" ride height applications only. Contact Customer Service for the Drilled Frame Bracket part numbers.

NOTE: Refer to Parts Identification section for Track Bar/ Torque Bar (CAK) Information.

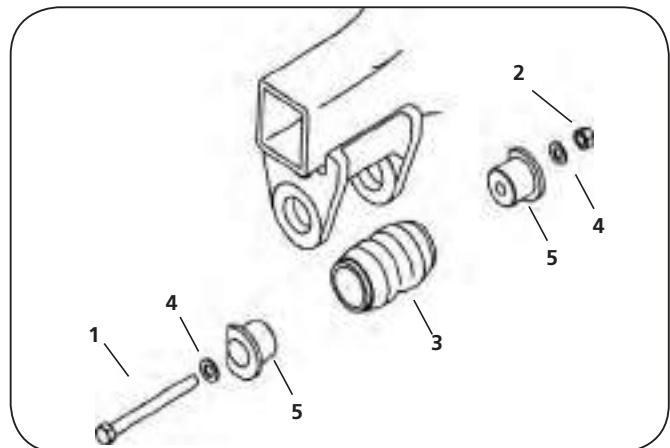
Transverse Connection SRK-77-1: 48100161

ITEM	DESCRIPTION	PART NUMBER	QTY	WEIGHT LBS. [KG]
1	Rubber Bushing	90008113	4	1.71 [0.78]
2	Spacer Washer	90036007	2	1.52 [0.69]
3	Washer Flat 1.38"	93600470	2	N/A
4	Nut, Hex, Lock 1.25-12 Gr C	93400511	2	0.50 [0.23]
5	Nut Hex 1.125-7 Gr C	93400512	2	N/A



Axle Connection (5.25" Long Bushing) SRK-79: 48100123

ITEM	DESCRIPTION	PART NUMBER	QTY	WEIGHT LBS. [KG]
1	Cap Screw, Hex 0.75 - 10 x 7.00" Gr 5	93003681	2	0.95[0.43]
2	Hex Nut 0.75"	93400492	2	0.13 [0.06]
3	Bushing	90008006	2	3.84 [1.74]
4	Washer Flat Narrow 0.75"	93600156	4	0.04 [0.02]
5	Adapter Bushing	90001002	4	2.30 [1.04]
6	Spacer Washer	90001065	4	0.61 [0.28]

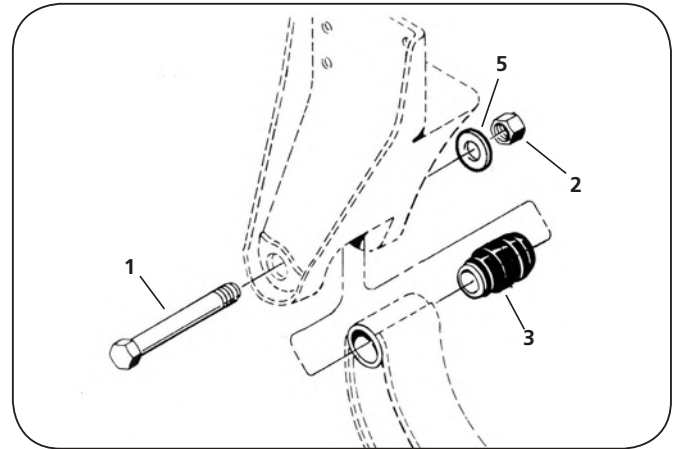


DISCONTINUED MODEL SERVICE PARTS ONLY

Please contact Customer Service for part availability
800.876.3929

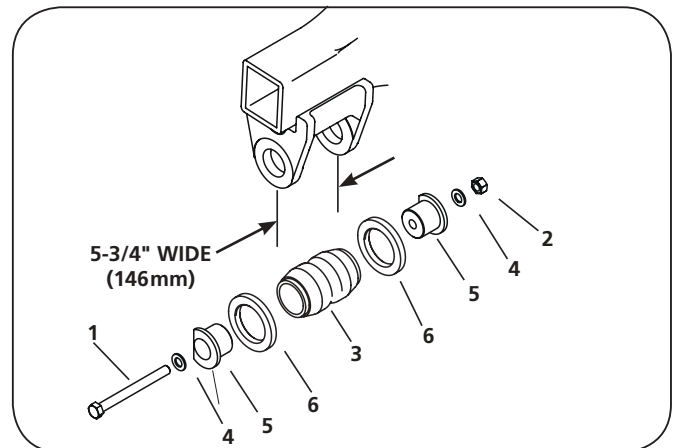
**Pivot Connection (Without Alignment Bushing)
Prior to 1981
SRK-76: 48100120**

ITEM	DESCRIPTION	PART NUMBER	QTY	WEIGHT LBS. [KG]
1	Bolt Hex 1.25-12 x 9.68" Gr 8	93200132	2	2.92 [1.32]
2	Nut, Hex, Lock 1.125 - 12 Gr C	93400511	2	0.38 [0.17]
3	Bushing	90008002	2	1.95 [0.88]
5	Washer Spacer 1.28"	90036001	4	0.11 [0.05]



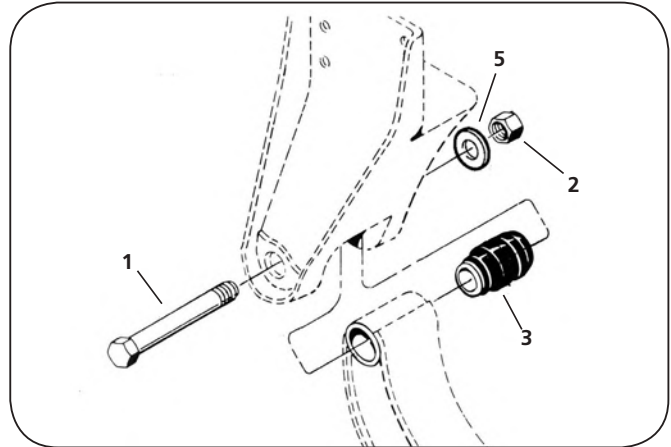
**Axle Connection (5.75" Long Bushing)
SRK-80: 48100124**

ITEM	DESCRIPTION	PART NUMBER	QTY	WEIGHT LBS. [KG]
1	Hex Bolt 3/4" - 10 x 7 1/2"	93003693	2	1.00 [0.45]
2	Hex Nut 3/4"	93400492	2	0.13 [0.06]
3	Bushing – Beam Center	90008008	2	4.05 [1.84]
4	Washer Flat Narrow 3/4"	93600156	4	0.04 [0.02]
5	Adapter Bushing	90001002	4	2.30 [1.04]
6	Spacer Washer	90001065	4	0.61 [0.28]



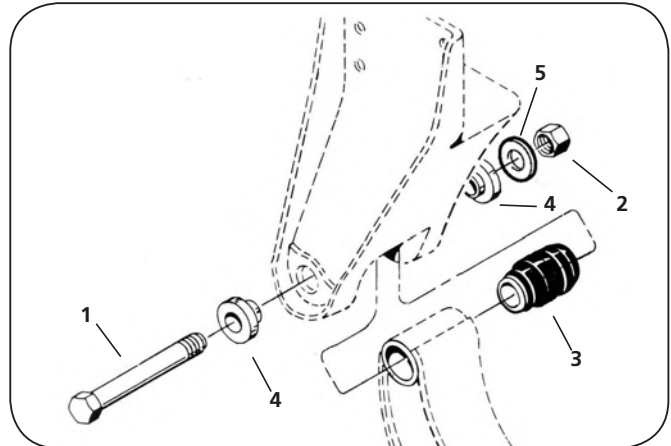
**Pivot Connection (With Alignment Bushing)
Prior to 1981
SRK-105: 48100154**

ITEM	DESCRIPTION	PART NUMBER	QTY	WEIGHT LBS. [KG]
1	Bolt Hex 1.25-12 x 10.56" Gr 5	93201030	2	4.33 [1.96]
2	Nut,Hex,Lock 1.125 - 12 Gr C	93400511	2	0.38 [0.17]
3	Bushing	90008002	2	1.95 [0.88]
5	Washer Spacer 1.28"	90036001	4	0.11[0.05]



**Pivot Connection (With Alignment Bushing)
1981 & After
SRK-120: 48100170**

ITEM	DESCRIPTION	PART NUMBER	QTY	WEIGHT LBS. [KG]
1	Bolt Hex 1.125 - 7 x 9.53" Gr 8	93201055	2	2.92 [1.32]
2	Nut,Hex,Lock 1.125 - 7 Gr C	93400506	2	0.38 [0.17]
3	Bushing	90008131	2	1.95 [0.88]
4	Bushing, Alignment	90008150	4	0.93 [0.42]
5	Washer Flat Narrow 1.12"	93600495	2	0.11[0.05]

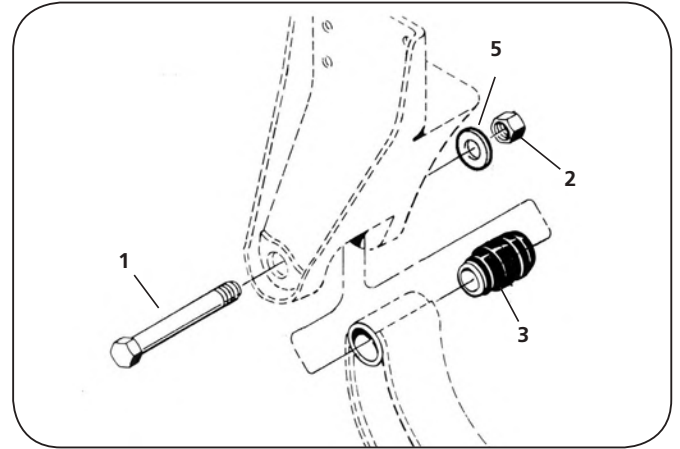


**DISCONTINUED MODEL
SERVICE PARTS ONLY**

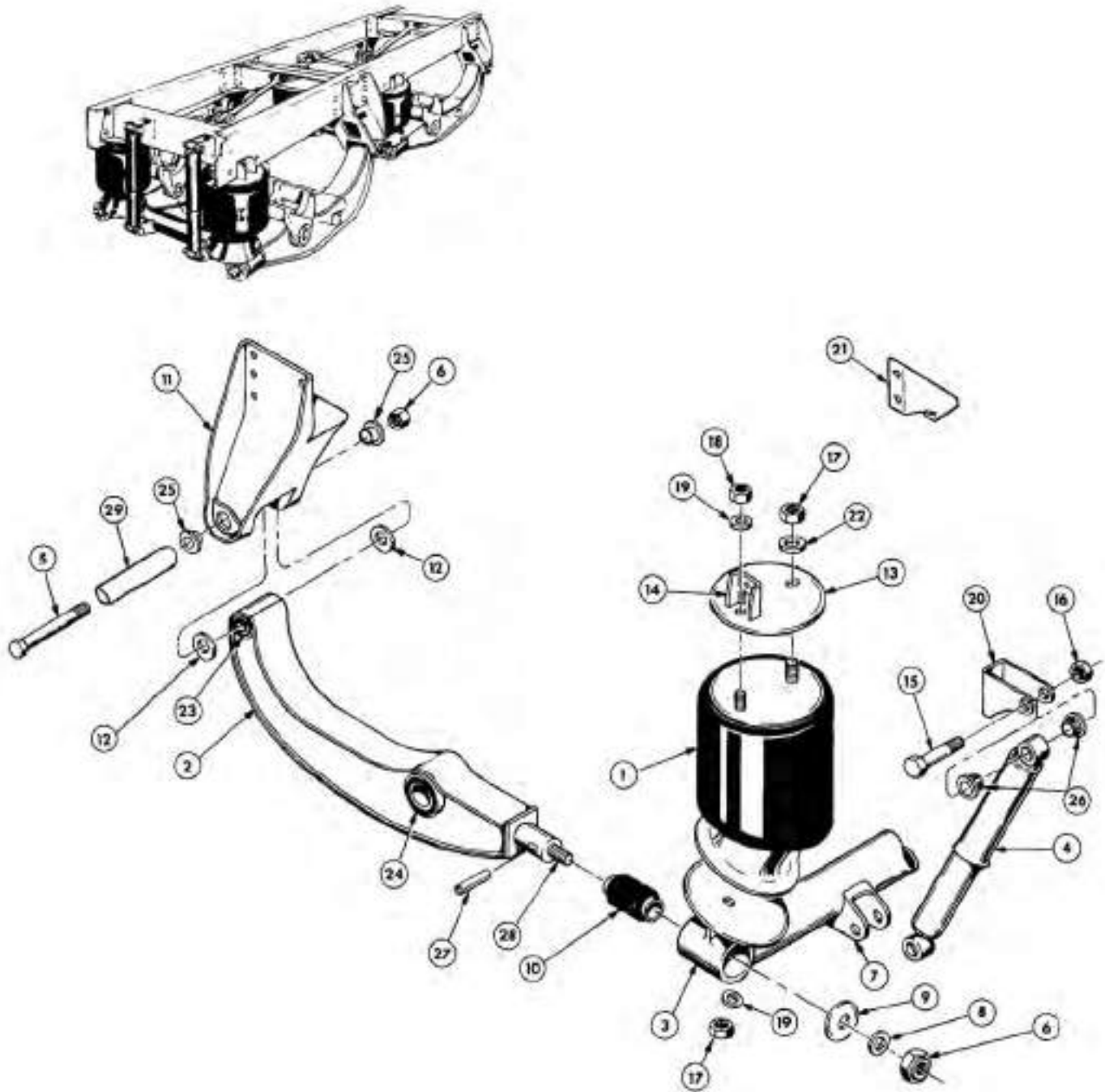
Please contact Customer Service for part availability
800.876.3929

**Pivot Connection (Without Alignment Bushing)
1981 & After
SRK-139A: 48100194**

ITEM	DESCRIPTION	PART NUMBER	QTY	WEIGHT LBS. [KG]
1	Bolt Hex 1.125 - 7 x 9.53" Gr 8	93201055	2	2.92 [1.32]
2	Nut,Hex,Lock 1.125 - 7 Gr C	93400506	2	0.38 [0.17]
3	Bushing	90008131	2	1.95 [0.88]
5	Washer Flat Narrow 1.12"	93600495	2	0.11[0.05]



ARD-234-6 Exploded View



**DISCONTINUED MODEL
SERVICE PARTS ONLY**

Please contact Customer Service for part availability
800.876.3929

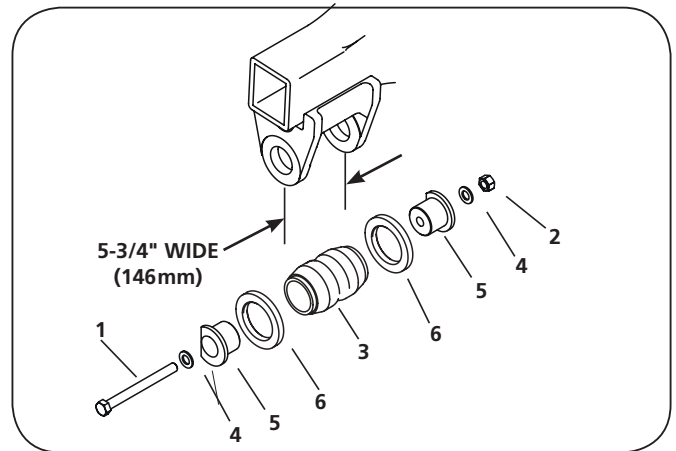
ITEM	DESCRIPTION	PART NUMBER	QTY REQD	WEIGHT LBS. [KG]
1	Air Spring	90557070	4	20.00 [9.07]
2	Equalizing Beam Assembly (Includes Item #23, 24, 28)	90515773	4	90.00 [40.82]
3	Transverse Beam Assembly (Includes Item #7, 10)	90544491	2	50.00 [22.68]
4	Shock Absorber	90044046	4	6.49 [2.94]
5	Cap Screw 1 1/8 - 7 x 9 1/4" Gr5	93201049	4	3.00 [1.36]
6	Lock Nut 1 1/8 - 7 GrC	93400506	8	0.38 [0.17]
7	Lower Shock Bracket Plate	90032386	8	0.40 [0.18]
8	Washer	93600493	4	0.90 [0.41]
9	Washer 1 1/4	93600174	4	0.11 [0.05]
10	Rubber Bushing (Transverse Beam)	90008104	4	3.30 [1.50]
11**	Frame Bracket - Undrilled	90519311	4	N/A
12	Spacer Washer	93600495	8	0.40 [0.18]
13	Air Spring Mounting Plate	90032382	4	N/A
14	Bracket	90018036	4	0.64 [0.29]
15	Cap Screw 3/4 - 10 x 3 1/2" Gr5	93003597	8	0.52 [0.23]
16	Lock Nut 3/4 - 10 GrB	93400492	12	0.13 [0.06]
17	Lock Nut 3/4 - 16 GrB	93400149	4	0.12 [0.05]
18	Nut 1/2 - 13 GrB	93400136	4	0.04 [0.02]
19	Lock Washer 1/2	93600072	4	0.01 [0.005]
20	Upper Shock Bracket	90018367	4	1.80 [0.82]
21	Brace	90023131	4	2.23 [1.01]
22	Washer 3/4	93600156	4	0.04 [0.02]
23	Rubber Bushing (Front Pivot)	90008145	4	1.95 [0.88]
24	Rubber Bushing (Axle Connection)	90008008	4	4.05 [1.84]
25	Alignment Bushing	90008120	8	0.95 [0.43]
26	Replacement Shock Bushing	90508004	16	0.20 [0.09]
27	Roll Pin	N/A	4	N/A
28	Stud 1 1/8 - 7 x 3 5/8 Gr5	90006338	4	0.83 [0.38]
29	Delrin Sleeve	90038083	4	0.06 [0.02]

** Replacement Frame Brackets can be ordered either "Drilled" or "Undrilled". The undrilled frame brackets listed are for 8-3/4" and 10" ride height applications only. Contact Customer Service for the Drilled Frame Bracket part numbers.

NOTE: Refer to Parts Identification section for Track Bar/ Torque Bar (CAK) Information.

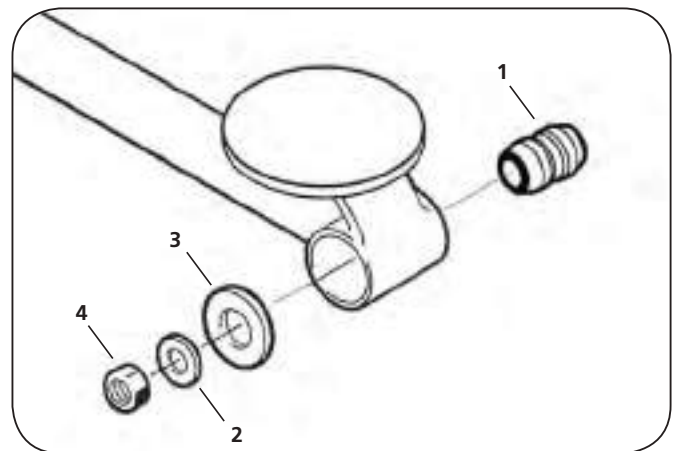
Axle Connection SRK-80: 48100124

ITEM	DESCRIPTION	PART NUMBER	QTY	WEIGHT LBS. [KG]
1	Hex Bolt 3/4" - 10 x 7 1/2"	93003693	2	1.00 [0.45]
2	Hex Nut 3/4"	93400492	2	0.13 [0.06]
3	Bushing – Beam Center	90008008	2	4.05 [1.84]
4	Washer Flat Narrow 3/4"	93600156	4	0.04 [0.02]
5	Adapter Bushing	90001002	4	2.30 [1.04]
6	Spacer Washer	90001065	4	0.61 [0.28]



Transverse Connection SRK-95: 48100143

ITEM	DESCRIPTION	PART NUMBER	QTY	WEIGHT LBS. [KG]
1	Rubber Bushing	90008104	2	1.71 [0.78]
2	Washer, Flat Narrow 1.12"	93600174	2	1.52 [0.69]
3	Washer 1.16" - Painted	93600493	2	N/A
4	Nut, Hex, Lock 1.25-12 Gr C	93400511	2	0.50 [0.23]
5	Nut Hex 1.125-7 Gr C	93400512	2	N/A

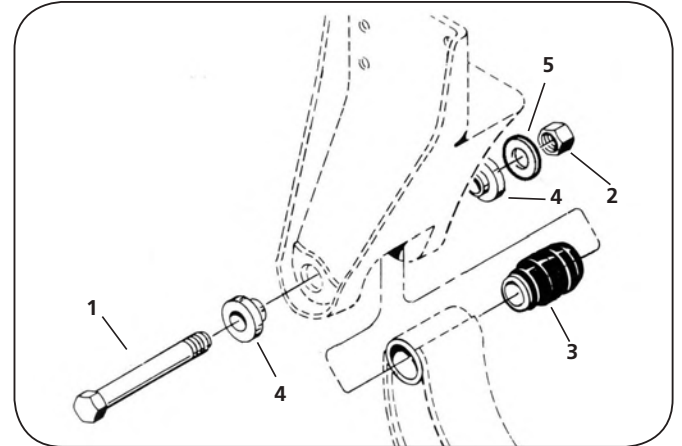


DISCONTINUED MODEL SERVICE PARTS ONLY

Please contact Customer Service for part availability
800.876.3929

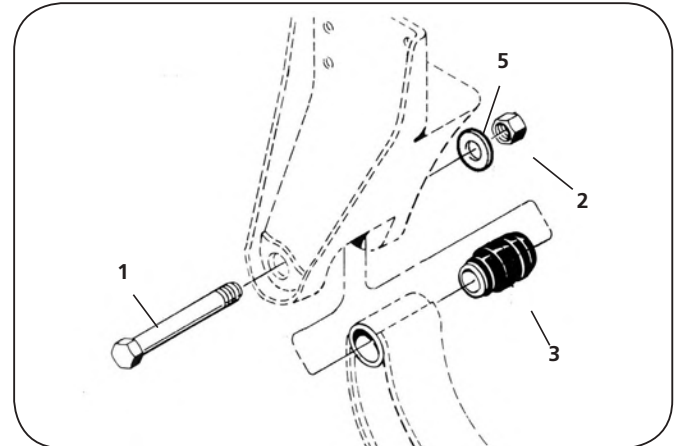
Pivot Connection (With Alignment Bushing)
SRK-147: 48100204

ITEM	DESCRIPTION	PART NUMBER	QTY	WEIGHT LBS. [KG]
1	Bolt Hex 1.125 - 7 x 9.53" Gr 8	93201055	2	2.92 [1.32]
2	Nut,Hex,Lock 1.125 - 7 Gr C	93400506	2	0.38 [0.17]
3	Bushing	90008145	2	1.95 [0.88]
4	Bushing, Alignment	90008150	4	0.93 [0.42]
5	Washer Flat Narrow 1.12"	93600174	2	0.11[0.05]

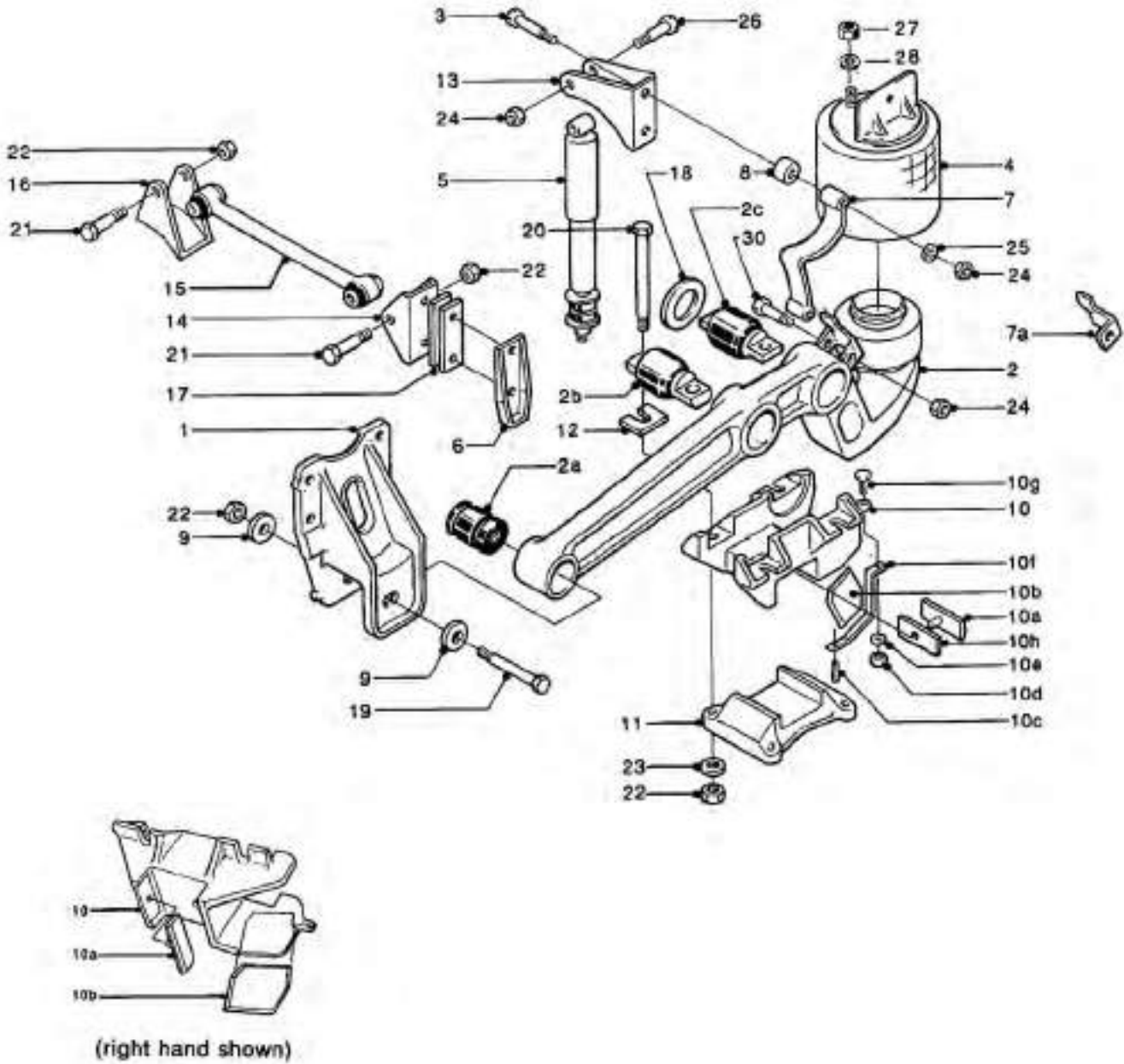


Pivot Connection (without Alignment Bushing)
SRK-148: 48100205

ITEM	DESCRIPTION	PART NUMBER	QTY	WEIGHT LBS. [KG]
1	Bolt Hex 1.125 - 7 x 9.53" Gr 8	93201055	2	2.92 [1.32]
2	Nut,Hex,Lock 1.125 - 7 Gr C	93400506	2	0.38 [0.17]
3	Bushing	90008145	2	1.95 [0.88]
5	Washer Flat Narrow 1.12"	93600174	2	0.11[0.05]



ARDAB-120-5, -240-5 (Same as ARDAB-238-5) Exploded View

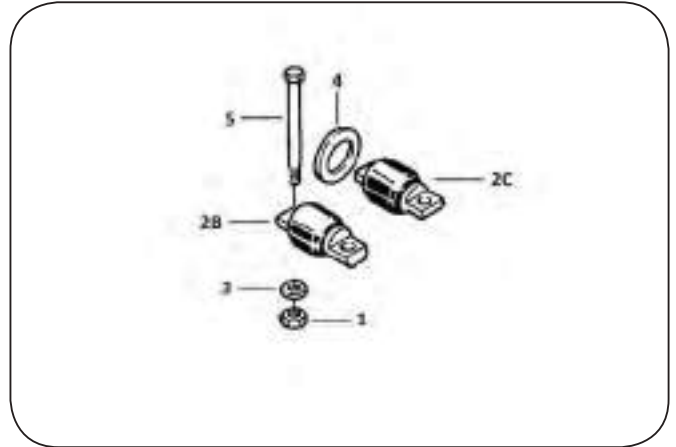


**DISCONTINUED MODEL
SERVICE PARTS ONLY**
Please contact Customer Service for part availability
800.876.3929

ITEM	DESCRIPTION	PART NUMBER	ARDAB-120-5 QTY REQD	ARDAB-240-5 QTY REQD	WEIGHT LBS. [KG]
1	Frame Bracket Adjustable	90018475	2	4	26.00 [11.79]
2	Equalizing Beam Assembly (Includes Item #2a, 2b, 2c)	*	2	4	N/A
2a	Rubber Bushing (Front Pivot)	90008165	2	4	4.40 [2.00]
2b	Rubber Bushing (Front Axle Connection)	*	2	4	N/A
2c	Rubber Bushing (Rear Axle Connection)	*	2	4	N/A
3	Cap Screw 3/4 - 10 x 5" Gr5	93003633	2	4	0.72 [0.33]
4	Air Spring	90557123	2	4	9.00 [4.08]
5	Shock Absorber	90044907	2	4	6.00 [2.72]
6	Axle Stop	90044871	2	4	2.17 [0.98]
7	Down Strap	90044882	2	4	0.84 [0.38]
7a	Down Strap Guide LH	90520245	1	2	1.00 [0.45]
	Down Strap Guide RH	90520246	1	2	1.00 [0.45]
8	Spacer	90036159	2	4	0.70 [0.32]
9	Alignment Blocks	90008166	4	8	0.61 [0.28]
10	Upper Axle Clamp Casting (Includes Item # 10a-10h)	**	2	4	N/A
10a	Plastic Shim	90044887	2	4	0.06 [0.03]
10b	Wear Pad LH	90044883	1	2	0.16 [0.07]
	Wear Pad RH	90044884	1	2	0.16 [0.07]
10c	Spring Pin	93900214	2	4	0.01 [0.005]
10d	Lock Nut 1/4 - 20	93400060	2	4	0.01 [0.005]
10e	Washer 1/4	93600112	2	4	0.01 [0.005]
10f	Retainer	90024932	2	4	0.11 [0.05]
10g	Cap Screw 1/4 - 20 x 1" Gr2	93002353	2	4	0.01 [0.005]
10h	Steel Shim (Use with 90501184 & 90501185)	90033376	2	4	0.09 [0.04]
11	Lower Axle Clamp Casting	**	2	4	N/A
12*	Shim - Axle Connection	90033327	varies	varies	0.15 [0.07]
	Shim - Axle Connection (Use with 2° Pinion Angle)	90033361	varies	varies	0.06 [0.02]
13	Upper Shock Bracket	90024926	2	4	4.41 [2.00]
14	Track Bar Frame Bracket	90018472	1	2	3.56 [1.61]
15	Torque Rod Fixed - Bearing Style	90044877	1	2	13.00 [5.90]
	Torque Rod Fixed - Rubber Bushed	90044972	1	2	10.00 [4.54]
	Torque Rod Fixed (Ford Application Only)	90045017	1	2	12.79 [5.80]
16	Track Bar Axle Bracket	90044874	1	2	4.42 [2.00]
17	Shim	90036160	2	4	0.31 [0.14]
18	Washer	93900212	2	4	0.62 [0.28]
19	Cap Screw 7/8 - 9 x 7 1/2" Gr8	93003905	2	4	1.39 [0.63]
20	Cap Screw 7/8 - 9 x 12 1/2" Gr8	93900213	8	16	2.23 [1.01]
21	Cap Screw 7/8 - 9 x 4 1/2" Gr5	93003831	2	4	0.90 [0.41]
22	Lock Nut 7/8 - 9 GrC	93400498	12	24	0.17 [0.08]
23	Washer 7/8	93600162	8	16	0.06 [0.03]
24	Lock Nut 3/4 - 10 GrB	93400492	6	12	0.13 [0.06]
25	Washer 3/4	93600157	2	4	0.10 [0.05]
26	Cap Screw 3/4 - 10 x 3 3/4" Gr5	93003603	4	8	0.54 [0.24]
27	Hex Nut 3/4 - 16 GrB	93400149	2	4	0.12 [0.05]
28	Lock Washer 3/4	93600077	2	4	0.04 [0.02]

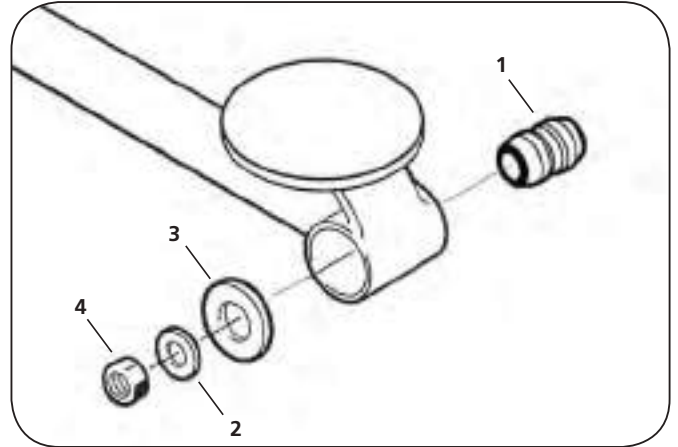
Axle Connection - 2° - 8° Pinion Angle SRK-189 48100246

ITEM	DESCRIPTION	PART NUMBER	QTY	WEIGHT LBS. [KG]
1	Nut, Hex Lock 0.88 - 9 Gr C	93400498	8	1.00 [0.45]
2B	Bushig	90008172	2	0.13 [0.06]
2C	Bushing	90008189	2	4.05 [1.84]
3	Washer, Flat Standard Hardened 0.88"	93600162	8	0.04 [0.02]
4	Washer, Flat 2.80"	90001002	2	2.30 [1.04]
5	Bolt, Hex 0.88 - 9 x 12.50" Gr 8	93900213	8	0.61 [0.28]



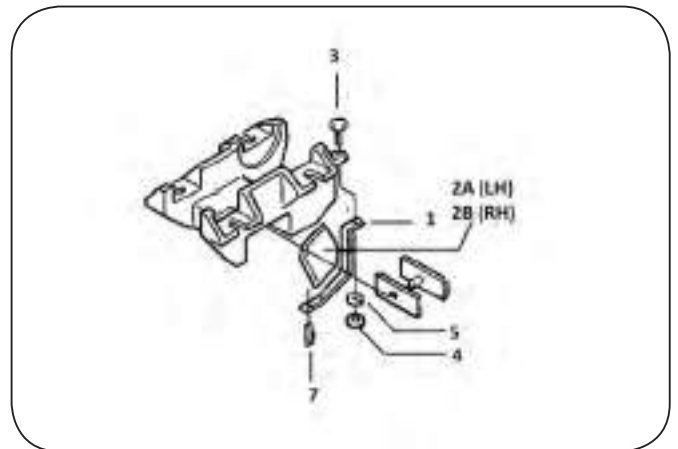
Axle Connection - 1° & 8.1° - 13° Pinion Angle SRK-190 48100247

ITEM	DESCRIPTION	PART NUMBER	QTY	WEIGHT LBS. [KG]
1	Nut, Hex Lock 0.88 - 9 Gr C	93400498	8	1.00 [0.45]
2B	Bushig	90008172	2	0.13 [0.06]
2C	Bushing	90008189	2	4.05 [1.84]
3	Washer, Flat Standard Hardened 0.88"	93600162	8	0.04 [0.02]
4	Washer, Flat 2.80"	90001002	2	2.30 [1.04]
5	Bolt, Hex 0.88 - 9 x 12.50" Gr 8	93900213	8	0.61 [0.28]



Axle Clamp Casting Wear Pads SRK-192: 48100249

ITEM	DESCRIPTION	PART NUMBER	QTY	WEIGHT LBS. [KG]
1	Plate, Retainer	90024932	2	1.71 [0.78]
2A	Wear Pad, LH	90044883	1	1.52 [0.69]
2B	Wear Pad, RH	90044884	1	N/A
3	Bolt, Hex 0.25 - 20 x 1.00" Gr 5	93002355	2	0.50 [0.23]
4	Nut, Hex Lock, 0.25 - 20 Gr B	93400060	2	N/A
5	Washer, Flat Narrow - Nom 0.25 ID 0.28	93600112	2	
6	Washer, Flat 2.80	93900212	2	
7	Pin Spring	93900214	2	

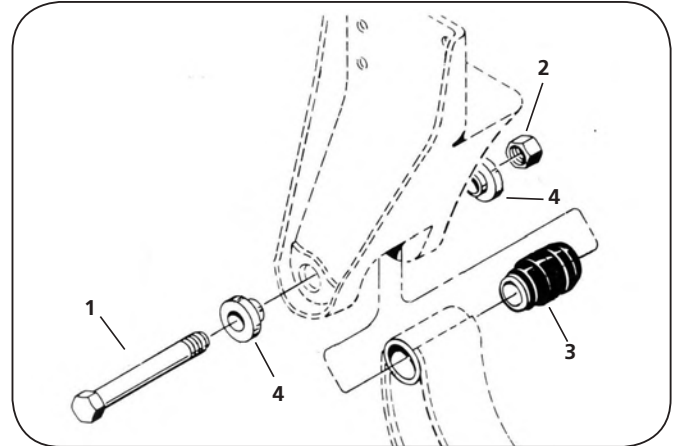


DISCONTINUED MODEL SERVICE PARTS ONLY

Please contact Customer Service for part availability
800.876.3929

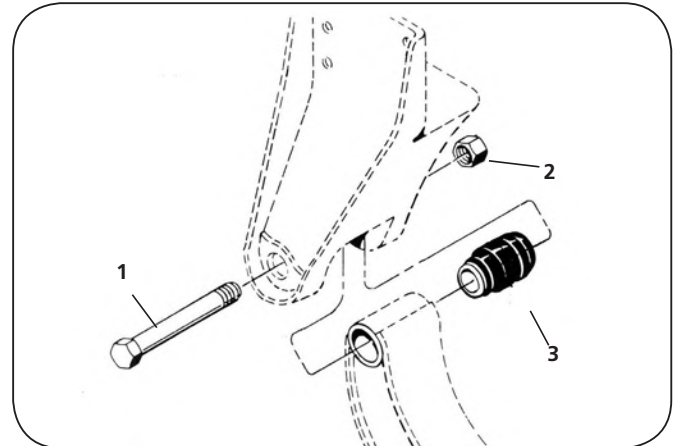
Pivot Connection (With Alignment Bushing)
SRK-188-1: 48100253

ITEM	DESCRIPTION	PART NUMBER	QTY	WEIGHT LBS. [KG]
1	Bolt Hex 0.88 - 9 x 7.50" Gr 8	93003905	2	2.92 [1.32]
2	Nut, Hex, Lock 0.88 - 9 Gr C	93400498	2	0.38 [0.17]
3	Bushing	90008165	2	1.95 [0.88]
4	Bushing, Alignment	90008166	4	0.93 [0.42]



Pivot Connection (without Alignment Bushing)
SRK-188: 48100245

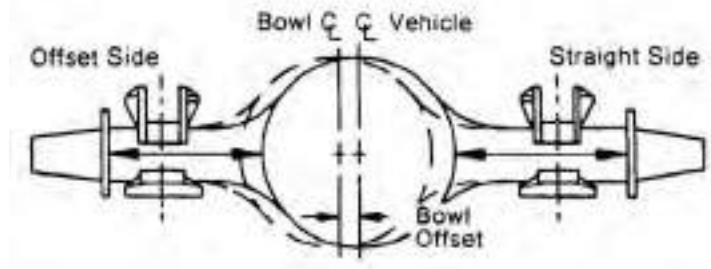
ITEM	DESCRIPTION	PART NUMBER	QTY	WEIGHT LBS. [KG]
1	Bolt Hex 0.88 - 9 x 7.50" Gr 8	93003905	2	2.92 [1.32]
2	Nut, Hex, Lock 0.88 - 9 Gr C	93400498	2	0.38 [0.17]
3	Bushing	90008165	2	1.95 [0.88]



ARDAB-120-5, -240-5 Axle Clamp Selection Guide

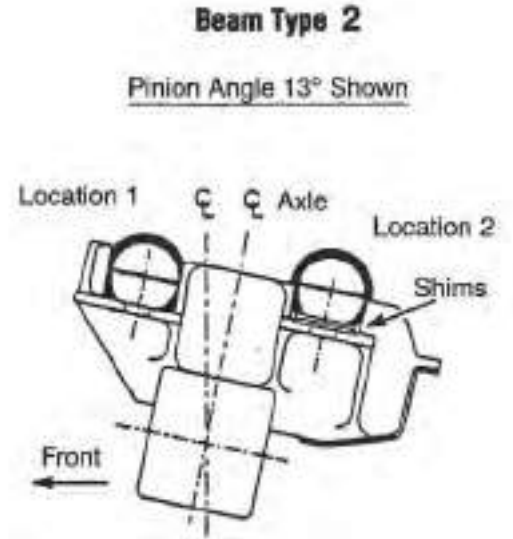
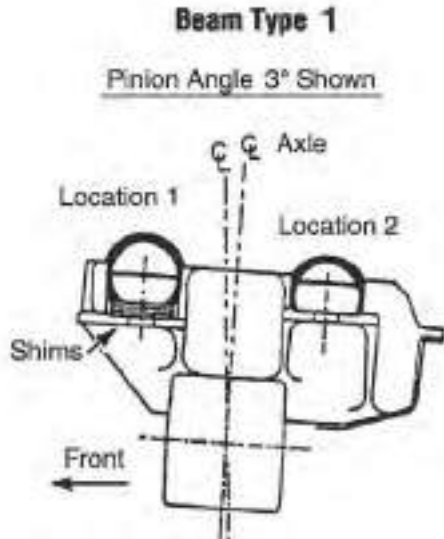
To select correct axle clamp castings, locate your make and style of axle on chart below. To confirm bowl offset, measure from brake flange to reference line shown on drawing. Then subtract the smaller dimension and divide by 2. **NOTICE:** The upper adapter clamp includes all sub-assembly parts: shims, wear pads, etc.

The example shown is for reference only; your axle may differ.



AXLE	APPLICATION	LEFT OR RIGHT HAND	FORWARD AXLE		REAR AXLE	
			UPPER CLAMP	LOWER CLAMP	UPPER CLAMP	LOWER CLAMP
EATON AXLES						
D-401, D-402, R-401, R-402 4.61 x 5.24 with 2.992 offset	Tandem Axle	L	90501198	90001136	90501186	90001137
		R	90501187	90001137	90501199	90001136
21065-T 4.61 x 5.24 with 1.890 offset	Single Axle	L	90501191	90001151	-	-
		R	90501199	90001136	-	-
21065-S 4.61 x 5.24 with 0.945 offset	Single Axle	L	90501198	90001136	-	-
		R	90501199	90001136	-	-
19050-T 4.61 x 5.24 with 1.969 offset	Single Axle	L	90501191	90001151	-	-
		R	90501199	90001136	-	-
19050-S 4.61 x 5.24 with 0.472 offset	Single Axle	L	90501198	90001136	-	-
		R	90501199	90001136	-	-
ROCKWELL AXLES						
SQ-100 4.62 x 5.25 with 2.06 offset	Tandem Axle	L	90501194	90001136	90501186	90001137
		R	90501187	90001137	90501185	90001136
RT-34-145, RT-40-140, RT-40-145 RT-44-145, RT-46-160 4.61 x 5.25 with 2.56 offset	Tandem Axle	L	90501198	90001136	90501198	90001136
		R	90501199	90001136	90501199	90001136
R-170, RS-23-180 4.61 x 5.28 with 1.00 offset	Single Axle	L	90501186	90001137	-	-
		R	90501185	90001136	-	-
RS-23-160 4.61 x 5.28 with 2.20 offset	Single Axle	L	90501198	90001136	-	-
		R	90501199	90001136	-	-
RS-17-140, RS-21-145 4.61 x 5.28 with 2.56 offset	Single Axle	L	90501198	90001136	-	-
		R	90501199	90001136	-	-

By using combinations of 1/8" shims, the Air-beam can accommodate axle pinion angles from 2° through 13°. For specific shim placement, refer to the charts below.



PINION ANGLE	NUMBER OF SHIMS	
	LOCATION 1	LOCATION 2/√
2°	4*	0
3°	3	0
4°	2	0
5°30"	1	0
6°	N/A	N/A
7°	0	0
8°	0	1
9°	1	0
10°	N/A	N/A
11°	0	0
12°	0	1
13°	0	2

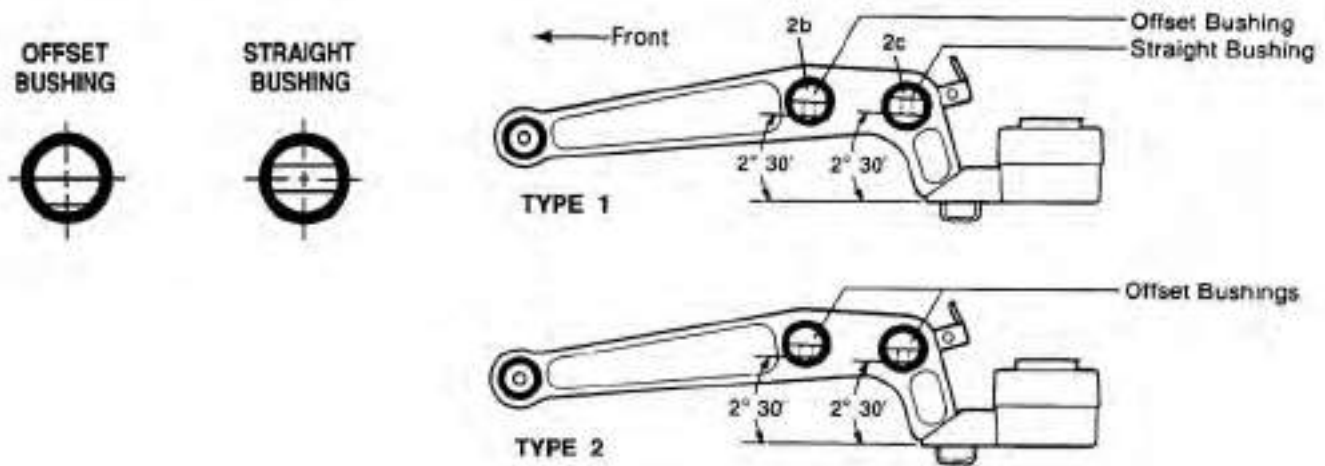
*Use (3) of 90033327 and (1) 90033361 shims.

ARDAB-120-5 & ARDAB-240-5 Equalizing Beam Identification

The Air-Beam suspension adjusts to the pinion angle of the axle with a combination of bushing types, bushing installation angles, and shims. Most drive axles are tilted at an angle so they will mate with the angle of the incoming drive line. This angle will vary by vehicle manufacturer and model, and in a tandem installation the rear drive axle will usually have a higher pinion angle than the front drive axle.

IMPORTANT: When ordering axle connection bushings, and/or shims, specify the correct beam type so that it will fit and maintain the correct pinion angle. It is critical that you can use the following step-by-step procedure when ordering and installing a beam assembly. Failure to do so can result in axle, drive line, frame, and suspension damage.

- 1) Determine the correct beam type (1 or 2) using the graphics below. If the rear bushing in your beam is straight you have a Type 1 beam, and if the bushing is offset you have a Type 2 beam. The type is also located on the serial number plate attached to the right hand (curb side) beam. If the plate cannot be read, contact your vehicle manufacturer for the correct pinion angle of your axle.
- 2) Using the beam type and/or pinion angle, reference the Equalizing Beam chart below to determine correct beam part number.
- 3) Before disassembling the beam, document the number and the location of the axle shims for proper replacement.



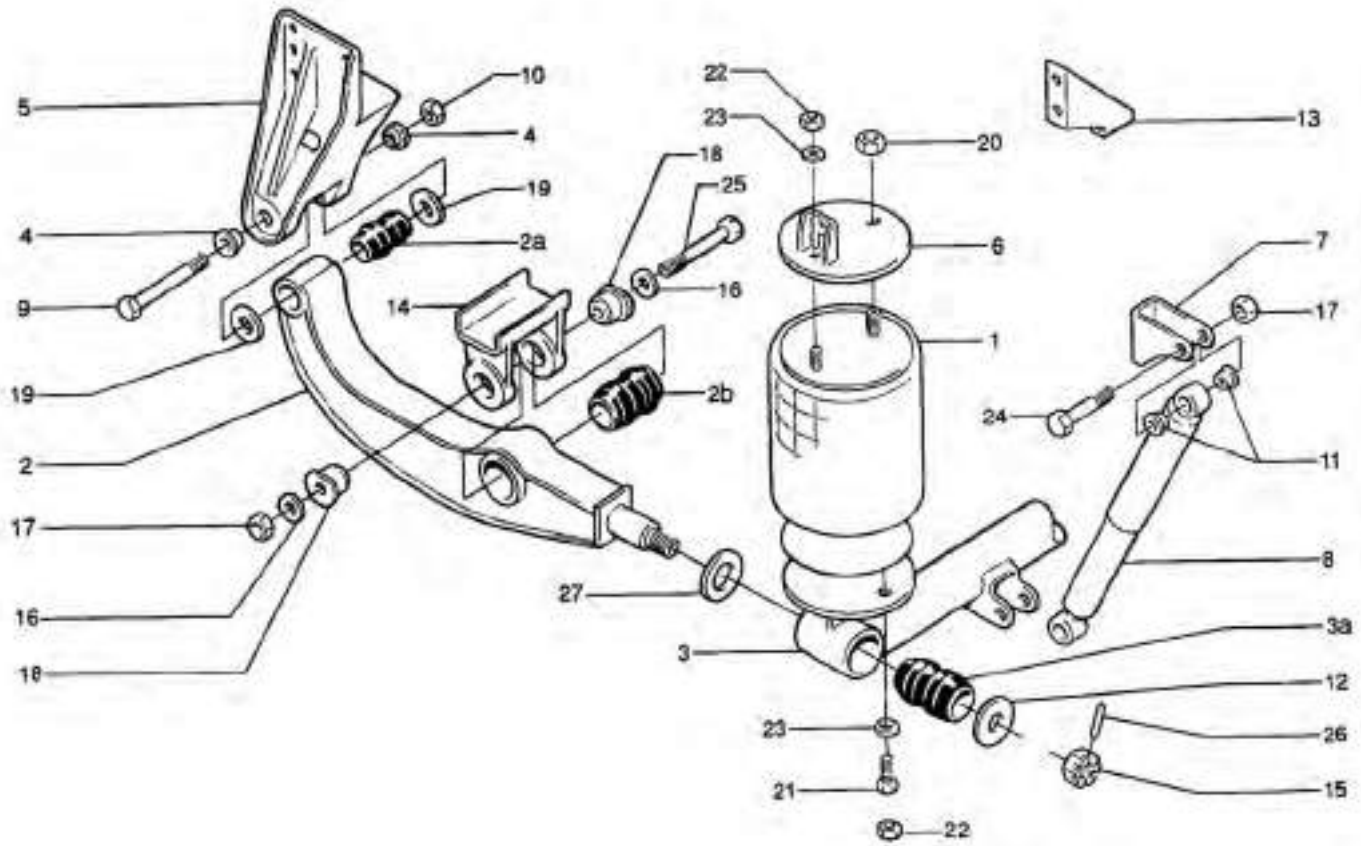
PART NUMBER	BEAM TYPE	PINION ANGLE	LEFT OR RIGHT HAND	AXLE CONNECTION BUSHINGS		WEIGHT LBS. [KG]
				FRONT (KEY #2B)	REAR (KEY #2C)	
90516389	1	2° – 8°	L	90008172	90008189	125.00 [56.70]
90516390	1	2° – 8°	R	90008172	90008189	126.00 [57.15]
90516391	2	8.1° – 13°	L	90008172	90008172	133.00 [60.33]
90516392	2	8.1° – 13°	R	90008172	90008172	124.00 [56.24]

IMPORTANT: Axle connection bushings must be installed correctly to accommodate the axle pinion angle. The Neway Air-Beam bushing replacement tool (Part No. 50544008) must be used for the procedure. If you have any questions regarding the installation, please contact Technical Service Department.

THIS PAGE INTENTIONALLY LEFT BLANK

ARDST-123-6, -244-6, -246-6, -250-6 Exploded View

NOTE: For units with frame mounted shocks, contact Customer Service.



DISCONTINUED MODEL SERVICE PARTS ONLY

Please contact Customer Service for part availability
800.876.3929

ITEM	DESCRIPTION	PART NUMBER	ARDST-123-6 QTY REQD	ARDST-244-6 QTY REQD	ARDST-246-6 QTY REQD	ARDST-250-6 QTY REQD	RIDE HEIGHT/ APPLICATION	WEIGHT LBS. [KG]
1	Air Spring	90557027	2	4	-	--	All	15.00 [6.80]
	Air Spring	90557031	-	-	4	-	8 3/4"	17.25 [7.82]
	Air Spring	90557101	-	4	-	-	Western Star	18.00 [8.16]
	Air Spring	90557110	-	-	4	4	All	22.00 [9.98]
2	Equalizing Beam Assembly (Includes Item #2a, 2b)	90516286	2	4	4	-	All	104.00 [47.17]
	Equalizing Beam Assembly (Includes Item #2a, 2b)	90516352	-	-	4	-	8 3/4"	N/A
	Equalizing Beam Assembly (Includes Item #2a, 2b)	90516468	-	-	-	4	All	120.00 [54.43]
√2a	Rubber Bushing (Front Pivot)	90008151	2	4	4	4	All	4.90 [2.22]
2b	Rubber Bushing (Axle Connection)	90008008	2	4	4	4	All	4.05 [1.84]
3	Transverse Beam Assembly (Includes Item #3a)	90544617	1	2	2	2	All	50.00 [22.68]
3a	Rubber Bushing (Transverse Beam)	90008135	2	4	4	4	All	4.96 [2.25]
4*	Alignment Bushing	90008120	4	8	8	8	All	0.95 [0.43]
5**	Frame Bracket LH - Undrilled (8 3/4" & 10" Ride Height Only)	90018578	1	2	2	2	All	40.90 [18.55]
	Frame Bracket RH - Undrilled (8 3/4" & 10" Ride Height Only)	90018579	1	2	2	2	All	40.90 [18.55]
6	Air Spring Mounting Plate	90531001	2	4	4	4	All	6.00 [2.72]
7	Shock Mounting Bracket	90018116	2	4	4	4	All	3.20 [1.45]
8	Shock Absorber	90044025	2	4	4	4	All	6.76 [3.06]
9	Cap Screw 1 1/8 - 7 x 9 1/4" Gr8	93201055	2	4	4	4	All	2.92 [1.32]
10	Lock Nut 1 1/8 - 7	93400506	2	4	4	4	All	0.38 [0.17]
11	Replacement Shock Bushing	90508004	8	16	16	16	All	0.20 [0.09]
12	Spacer Washer	90036118	2	4	4	4	All	3.60 [1.63]
13	Brace	90023131	2	4	4	4	All	2.23 [1.01]
14	Beam Hanger Brackets	N/A	Contact Axle Manufacturer					N/A
15	Nut 2 1/4 - 12	93400603	2	4	4	4	All	2.98 [1.35]
16	Washer 3/4	93600156	4	8	8	8	All	0.04 [0.02]
17	Lock Nut 3/4 - 10	93400492	4	8	8	8	All	0.13 [0.06]
18	Adapter Bushing	90001002	4	8	8	8	All	2.30 [1.04]
19***	Spacer Washer	93600502	4	8	8	8	All	0.78 [0.35]
20	Lock Nut 3/4 - 16	93400417	2	4	4	4	All	0.04 [0.02]
21	Cap Screw 1/2 - 13 x 1" Gr2	93002893	4	8	8	8	All	0.08 [0.04]
22	Nut 1/2 - 13	93400136	2	4	4	4	All	0.04 [0.02]
	Nut 1/2 - 13	93400136	-	8	-	-	Western Star	0.04 [0.02]
23	Lock Washer 1/2	93600072	6	12	12	12	All	0.01 [0.005]
	Lock Washer 1/2	93600072	-	8	-	-	Western Star	0.01 [0.005]
24	Cap Screw 3/4 - 10 x 3 1/2" Gr5	93003597	4	8	8	8	All	0.52 [0.23]
25	Cap Screw 3/4 - 10 x 7 1/2" Gr5	93003693	2	4	4	4	All	1.00 [0.45]
26	Roll Pin	93800235	2	4	4	4	All	0.10 [0.05]
27	Washer	93600498	2	4	4	4	All	1.10 [0.50]

* For Ford Applications, use the following Alignment Bushing combinations:

-quantity 4 per axle of 90008150

OR

-quantity 2 per axle/1 per frame bracket each of

90008156 - outer side of bracket (1 7/16" overall length)

90008120 - inward side of bracket (1" overall length)

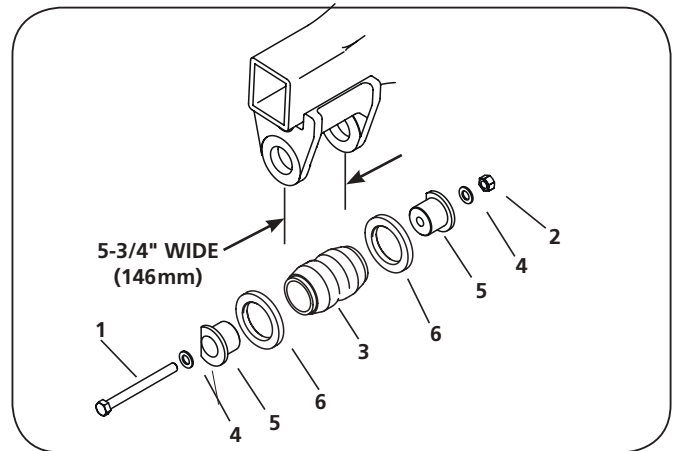
** Replacement Frame Brackets can be ordered either "Drilled" or "Undrilled". The undrilled frame brackets listed are for 8 3/4" and 10" ride height applications only. Contact Customer Service for the drilled frame bracket part numbers.

*** Not Required on Ford Applications, Spacer Washers are welded to the Frame Bracket.

NOTE: Refer to Parts Identification section for Track Bar/ Torque Bar (CAK) Information.

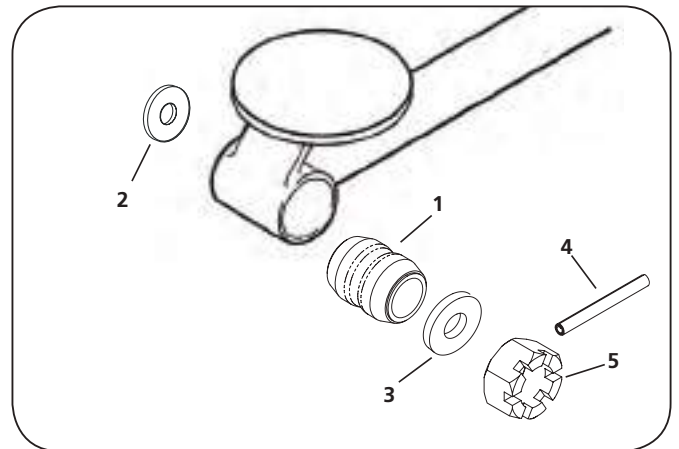
Axle Connection
SRK-80: 48100124

ITEM	DESCRIPTION	PART NUMBER	QTY	WEIGHT LBS. [KG]
1	Hex Bolt 3/4" - 10 x 7 1/2"	93003693	2	1.00 [0.45]
2	Hex Nut 3/4"	93400492	2	0.13 [0.06]
3	Bushing – Beam Center	90008008	2	4.05 [1.84]
4	Washer Flat Narrow 3/4"	93600156	4	0.04 [0.02]
5	Adapter Bushing	90001002	4	2.30 [1.04]
6	Spacer Washer	90001065	4	0.61 [0.28]



Transverse Connection
SRK-201: 48100261

ITEM	DESCRIPTION	PART NUMBER	QTY	WEIGHT LBS. [KG]
1	Bushing, Rubber w/ Inner Sleeve	90008135	2	4.96 [2.25]
2	Washer, 2.65"	93600498	2	1.10 [0.50]
3	Spacer Washer 2.28"	90036118	2	3.60 [1.63]
4	Spring Pin	93800235	2	0.06 [0.03]
5	Nut Hex Slotted, 2.25-12 Gr A	93400512	2	2.98 [1.35]

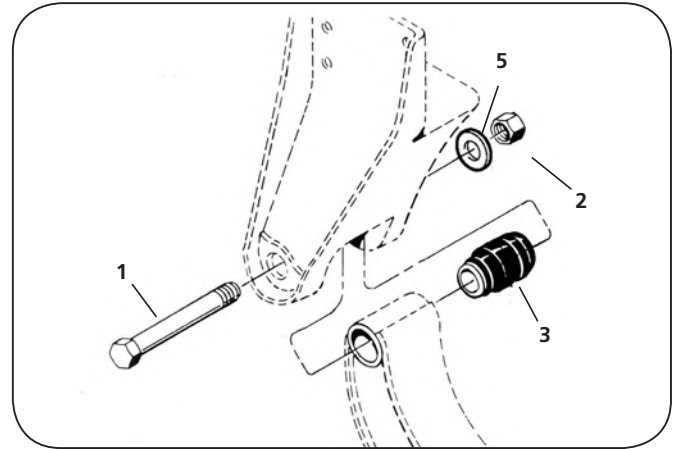


DISCONTINUED MODEL
SERVICE PARTS ONLY

Please contact Customer Service for part availability
 800.876.3929

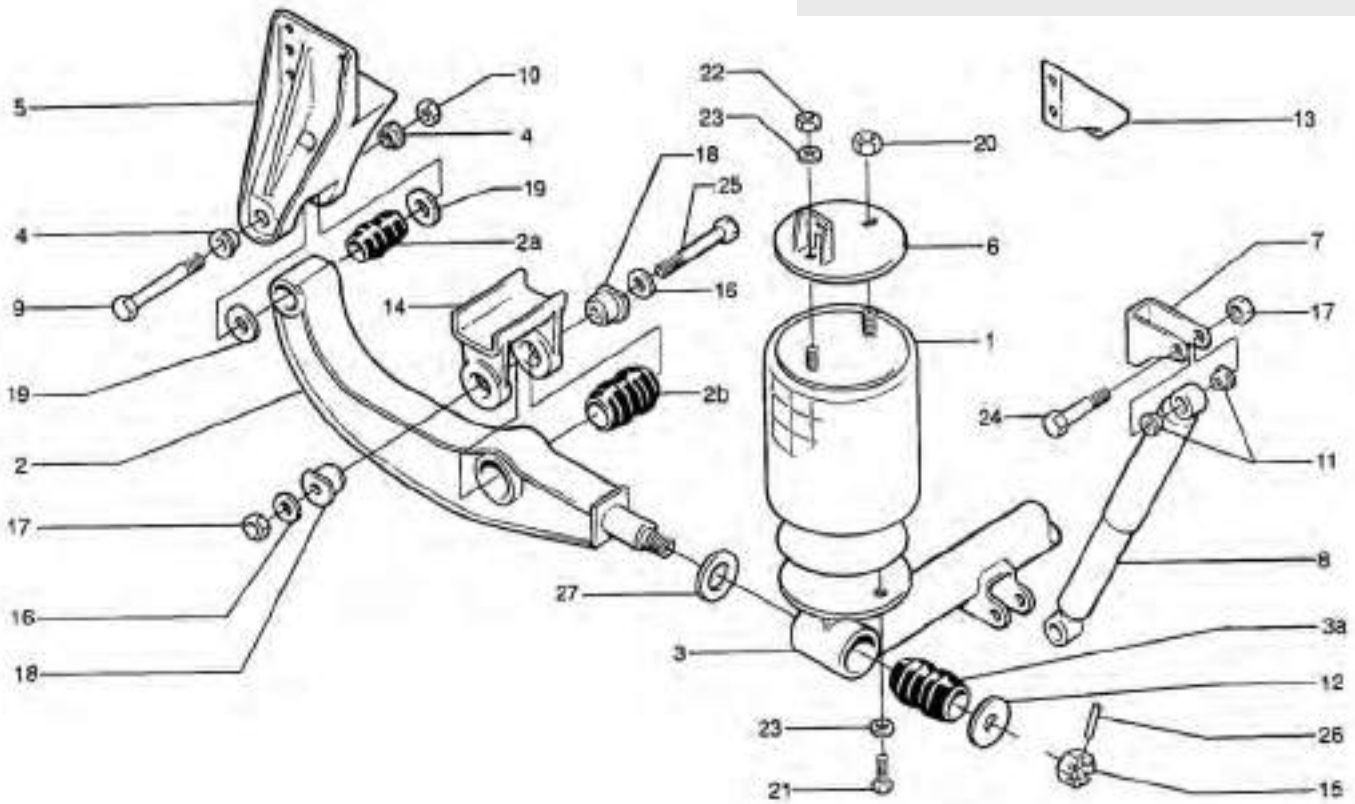
Pivot Connection
SRK-200: 48100260

ITEM	DESCRIPTION	PART NUMBER	QTY	WEIGHT LBS. [KG]
1	Bolt Hex 1.125 - 7 x 9.53" Gr 8	93201055	2	2.92 [1.32]
2	Nut, Hex, Lock 1.125 - 7 Gr C	93400506	2	0.38 [0.17]
3	Bushing	90008151	2	1.95 [0.88]
5	Washer Spacer	93600502	2	0.11[0.05]



ARDSTM/L-123-6, -246-6 Exploded View

NOTE: For units with frame mounted shocks, contact Customer Service.



DISCONTINUED MODEL SERVICE PARTS ONLY

Please contact Customer Service for part availability
800.876.3929

ITEM	DESCRIPTION	PART NUMBER	ARDSTM-123-6 QTY REQD	ARDSTM-246-6 QTY REQD	WEIGHT LBS. [KG]
1	Air Spring	90557110	2	4	22.00 [9.98]
2	Equalizing Beam Assembly (Includes Item #2a, 2b)	90516286	2	4	104.00 [47.17]
2a	Rubber Bushing (Front Pivot)	90008151	2	4	4.90 [2.22]
2b	Rubber Bushing (Axle Connection)	90008008	2	4	4.05 [1.84]
3	Transverse Beam Assembly (Includes Item #3a)	90544617	1	2	50.00 [22.68]
3a	Rubber Bushing (Transverse Beam)	90008135	2	4	4.96 [2.25]
4*	Alignment Bushing	90008120	4	8	0.95 [0.43]
5**	Frame Bracket LH - Undrilled (8 3/4" & 10" Ride Height Only)	90018578	1	2	40.90 [18.55]
	Frame Bracket RH - Undrilled (8 3/4" & 10" Ride Height Only)	90018579	1	2	40.90 [18.55]
6	Air Spring Mounting Plate	90531001	2	4	6.00 [2.72]
7	Shock Mounting Bracket	90018116	2	4	3.20 [1.45]
8	Shock Absorber	90044025	2	4	6.76 [3.06]
9	Cap Screw 1 1/8 - 7 x 9 1/4" Gr8	93201055	2	4	2.92 [1.32]
10	Lock Nut 1 1/8 - 7	93400506	2	4	0.38 [0.17]
11	Replacement Shock Bushing	90508004	8	16	0.20 [0.09]
12	Spacer Washer	90036118	2	4	3.60 [1.63]
13	Brace	90023131	2	4	2.23 [1.01]
14	Beam Hanger Brackets	N/A	Contact Axle Manufacturer		
15	Nut 2 1/4 - 12	93400603	2	4	2.98 [1.35]
16	Washer 3/4	93600156	4	8	0.04 [0.02]
17	Lock Nut 3/4 - 10	93400492	4	8	0.13 [0.06]
18	Adapter Bushing	90001002	4	8	2.30 [1.04]
19***	Spacer Washer	93600502	4	8	0.78 [0.35]
20	Lock Nut 3/4 - 16	93400417	2	4	0.04 [0.02]
21	Cap Screw 1/2 - 13 x 1" Gr2	93002893	4	8	0.08 [0.04]
22	Nut 1/2 - 13	93400136	2	4	0.04 [0.02]
23	Lock Washer 1/2	93600072	6	12	0.01 [0.005]
24	Cap Screw 3/4 - 10 x 3 1/2" Gr5	93003597	4	8	0.52 [0.23]
25	Cap Screw 3/4 - 10 x 7 1/2" Gr5	93003693	2	4	1.00 [0.45]
26	Roll Pin	93800235	2	4	0.10 [0.05]
27	Washer	93600498	2	4	1.10 [0.50]

* For Ford Applications, use the following Alignment Bushing combinations:

-quantity 4 per axle of 90008150

OR

-quantity 2 per axle/1 per frame bracket each of

90008156 - outer side of bracket (1 7/16" overall length)

90008120 - inward side of bracket (1" overall length)

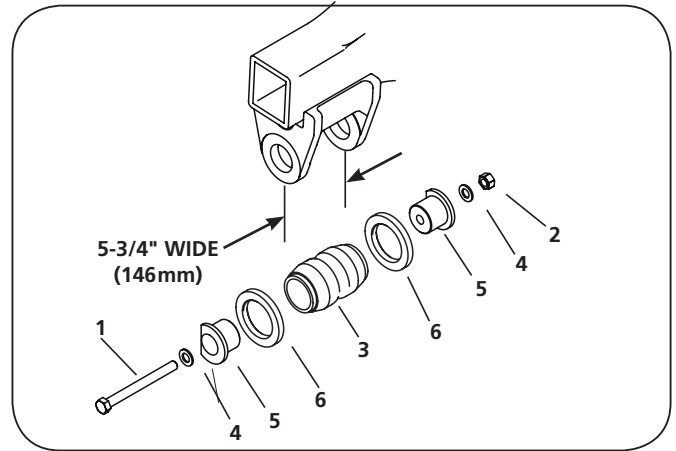
** Replacement Frame Brackets can be ordered either "Drilled" or "Undrilled". The undrilled frame brackets listed are for 8 3/4" and 10" ride height applications only. Contact Customer Service for the drilled frame bracket part numbers.

*** Not Required on Ford Applications, Spacer Washers are welded to the Frame Bracket.

NOTE: Refer to Parts Identification section for Track Bar/ Torque Bar (CAK) Information.

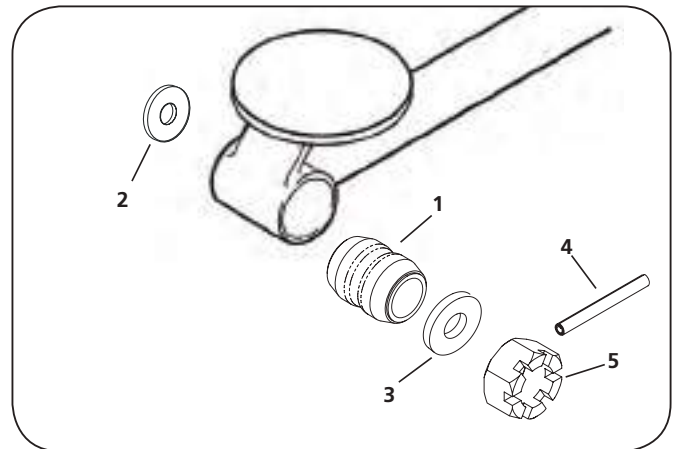
Axle Connection SRK-80: 48100124

ITEM	DESCRIPTION	PART NUMBER	QTY	WEIGHT LBS. [KG]
1	Hex Bolt 3/4" - 10 x 7 1/2"	93003693	2	1.00 [0.45]
2	Hex Nut 3/4"	93400492	2	0.13 [0.06]
3	Bushing – Beam Center	90008008	2	4.05 [1.84]
4	Washer Flat Narrow 3/4"	93600156	4	0.04 [0.02]
5	Adapter Bushing	90001002	4	2.30 [1.04]
6	Spacer Washer	90001065	4	0.61 [0.28]



Transverse Connection SRK-201: 48100261

ITEM	DESCRIPTION	PART NUMBER	QTY	WEIGHT LBS. [KG]
1	Bushing, Rubber w/ Inner Sleeve	90008135	2	4.96 [2.25]
2	Washer, 2.65"	93600498	2	1.10 [0.50]
3	Spacer Washer 2.28"	90036118	2	3.60 [1.63]
4	Spring Pin	93800235	2	0.06 [0.03]
5	Nut Hex Slotted, 2.25-12 Gr A	93400512	2	2.98 [1.35]

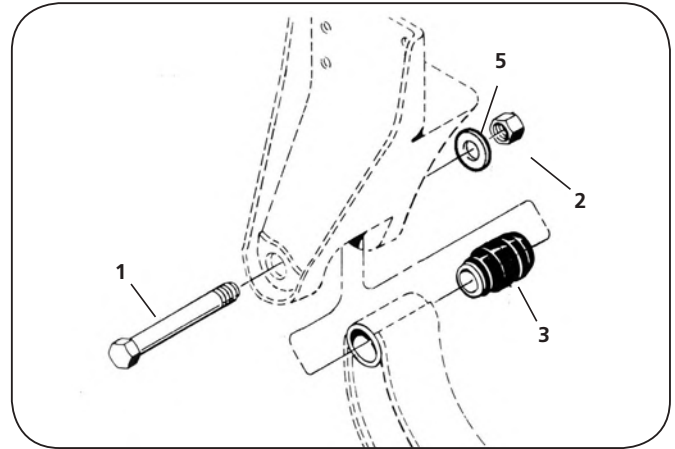


DISCONTINUED MODEL SERVICE PARTS ONLY

Please contact Customer Service for part availability
800.876.3929

Pivot Connection
SRK-200: 48100260

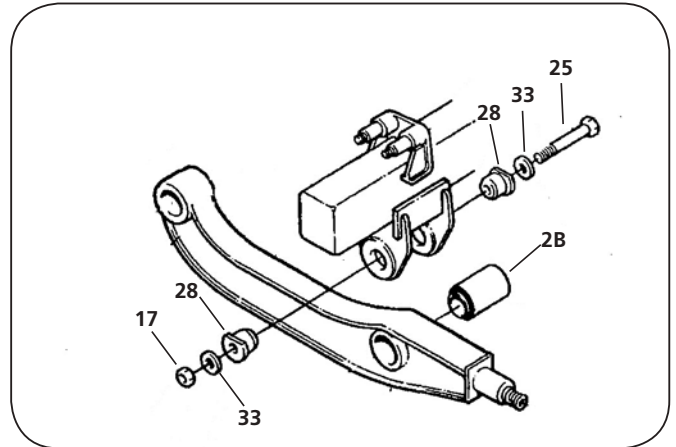
ITEM	DESCRIPTION	PART NUMBER	QTY	WEIGHT LBS. [KG]
1	Bolt Hex 1.125 - 7 x 9.53" Gr 8	93201055	2	2.92 [1.32]
2	Nut, Hex, Lock 1.125 - 7 Gr C	93400506	2	0.38 [0.17]
3	Bushing	90008151	2	1.95 [0.88]
5	Washer Spacer	93600502	2	0.11[0.05]



ITEM	DESCRIPTION	PART NUMBER	QTY REQD	MODEL	WEIGHT LBS. [KG]
1	Air Spring	90557098	2	All	21.00 [9.53]
2	Equalizing Beam Assembly (Includes Item #2a, 2b)	90516293	2	All	113.00 [51.26]
2a	Rubber Bushing (Pivot Connection)	90008151	2	All	4.90 [2.22]
2b	Rubber Bushing (Axle Connection)	M0008000	2	ARDTB-125-6A	4.64 [2.10]
	Rubber Bushing (Axle Connection)	90008183	2	ARDTB-125-6B	5.78 [2.62]
3	Transverse Beam Assembly (Includes Item #3a)	90544876	1	All	89.00 [40.37]
3a	Rubber Bushing (Transverse Beam)	90008135	2	All	4.96 [2.25]
4	Alignment Block	90008181	4	All	1.37 [0.62]
5	Frame Bracket Adjustable LH	90520156	1	All	N/A
	Frame Bracket Fixed RH	90520157	1	All	66.00 [29.94]
6	Air Spring Mounting Plate	90531136	2	All	N/A
7	Upper Shock Bracket - Rear	90520258	2	ARDTB-125-6A	1.00 [0.45]
8	Shock Absorber - Rear	90045053	2	ARDTB-125-6A	7.29 [3.31]
9	Cap Screw 1 1/8 - 7 x 9 1/4" Gr8	93201055	2	All	2.92 [1.32]
10	Lock Nut 1 1/8 - 7	93400506	2	All	0.38 [0.17]
11	Shock Absorber	90045031	4	ARDTB-125-6B	8.15 [3.69]
12	Spacer Washer	90036118	2	All	3.60 [1.63]
13	Lock Nut 3/4 - 10	93400553	10	ARDTB-125-6B	0.07 [0.03]
14	Washer	93600157	8	ARDTB-125-6B	0.10 [0.05]
15	Nut 2 1/4 - 12	93400603	2	All	2.98 [1.35]
16	Shock Absorber - Front	90045050	2	ARDTB-125-6A	6.39 [2.90]
17	Lock Nut 3/4 - 10	93400492	14	ARDTB-125-6A	0.13 [0.06]
18	Bearing Washer	93600514	4	ARDTB-125-6A	0.18 [0.08]
19	Spacer Washer	93600502	4	All	0.78 [0.35]
20	Lock Nut 3/4 - 16	93400417	2	All	0.04 [0.02]
21	Cap Screw 1/2 - 13 x 1" Gr2	93002893	2	All	0.08 [0.04]
22	Nut 1/2 - 13	93400136	2	All	0.04 [0.02]
23	Lock Washer 1/2	93600072	4	All	0.01 [0.005]
24	Cap Screw 3/4 - 10 x 3 1/2" Gr5	93003597	4	ARDTB-125-6A	0.52 [0.23]
25	Cap Screw 3/4 - 10 x 7 1/2" Gr5	93003693	2	All	1.00 [0.45]
26	Roll Pin	93800235	2	All	0.10 [0.05]
27	Washer	93600498	2	All	1.10 [0.50]
28	Adapter Bushing	M0001000	4	All	3.00 [1.36]
29	Lower Shock Bracket - Rear	90025035	2	ARDTB-125-6A	1.00 [0.45]
30	Upper Shock Bracket LH -Front	90520226	1	ARDTB-125-6A	3.00 [1.36]
	Upper Shock Bracket RH -Front	90520227	1	ARDTB-125-6A	5.00 [2.27]
	Upper Shock Bracket LH	90520404	1	ARDTB-125-6B	N/A
	Upper Shock Bracket RH	90520405	1	ARDTB-125-6B	2.50 [1.13]
31	Beam Hanger Bracket LH	90501210	1	All	29.00 [13.15]
	Beam Hanger Bracket RH	90501211	1	All	28.00 [12.70]
32	Lower Shock Bracket - Front	90520166	2	ARDTB-125-6A	2.00 [0.91]
	Lower Shock Bracket	90520406	2	ARDTB-125-6B	6.00 [2.72]
33	Washer 3/4	93600156	4	All	0.04 [0.02]

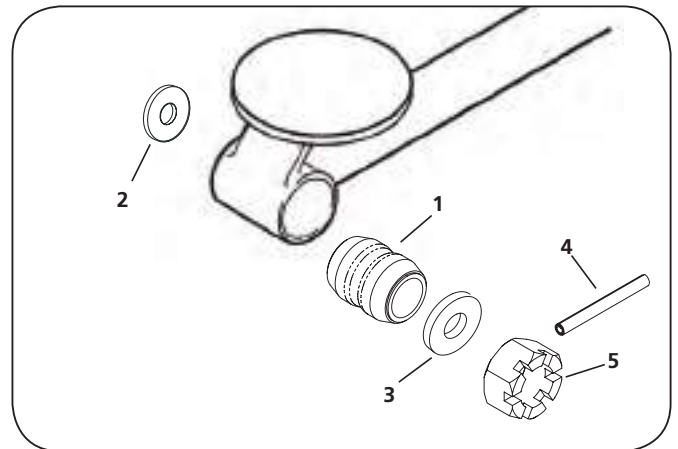
Axle Connection SRK-199: 48100259

ITEM	DESCRIPTION	PART NUMBER	QTY	WEIGHT LBS. [KG]
2B	Bushing, Rubber w/ Inner Sleeve	M0008000	2	4.64 [2.10]
17	Nut, Hex Lock 0.75 - 10 Gr 8	93400492	2	0.13 [0.06]
18	Washer, Flat 3.25"	93600514	4	0.18 [0.08]
25	Cap Screw, 0.75 - 10 x 7.50"	93003693	2	1.00 [0.45]
28	Adaptor Bushing, Machined	M0001000	4	3.00 [1.36]
33	Washer, Flat Hardened 0.75"	93600156	4	0.40 [0.18]



Transverse Connection SRK-201: 48100261

ITEM	DESCRIPTION	PART NUMBER	QTY	WEIGHT LBS. [KG]
1	Bushing, Rubber w/ Inner Sleeve	90008135	2	4.96 [2.25]
2	Washer, 2.65"	93600498	2	1.10 [0.50]
3	Spacer Washer 2.28"	90036118	2	3.60 [1.63]
4	Spring Pin	93800235	2	0.06 [0.03]
5	Nut Hex Slotted, 2.25-12 Gr A	93400512	2	2.98 [1.35]

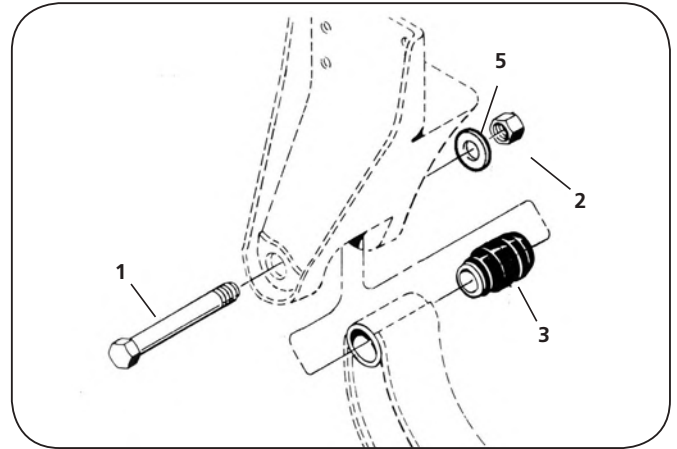


DISCONTINUED MODEL SERVICE PARTS ONLY

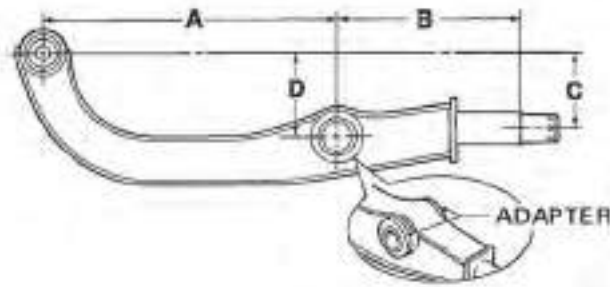
Please contact Customer Service for part availability
800.876.3929

Pivot Connection
SRK-200: 48100260

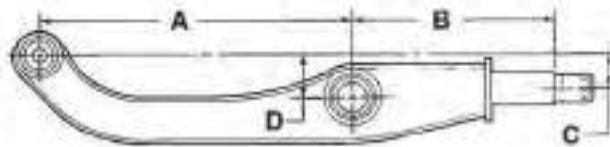
ITEM	DESCRIPTION	PART NUMBER	QTY	WEIGHT LBS. [KG]
1	Bolt Hex 1.125 - 7 x 9.53" Gr 8	93201055	2	2.92 [1.32]
2	Nut, Hex, Lock 1.125 - 7 Gr C	93400506	2	0.38 [0.17]
3	Bushing	90008151	2	1.95 [0.88]
5	Washer Spacer	93600502	2	0.11[0.05]



ARDST-123/244/246/250, ARDSTM/L-123/246 & ARDTB-125 Equalizing Beam Identification



ARDST & ARDSTM L Series



ARDTB-125 Series

PART NUMBER	A DIMENSION	B DIMENSION	C DIMENSION	D DIMENSION	MODEL	WEIGHT LBS. [KG]
90516286	24-3/4	15-1/2	6-3/8	7	ARDST-123/244/246	104.00 [47.17]
					ARDSTM/L-123/246	
90516293	26-1/4	17	2-7/8	3-1/2	ARDTB-125-6A/6B	113.00 [51.25]
90516352	24-3/4	15-1/2	4-5/8	5-1/4	ARDST-123/244/246	N/A
90516468	24-3/4	18-1/2	6-3/8	7	ARDST-250	120.00 [54.43]

NOTE: Front and Rear Equalizing Beams may differ on Tandem Suspensions.

DISCONTINUED MODEL SERVICE PARTS ONLY

Please contact Customer Service for part availability
800.876.3929

THIS PAGE INTENTIONALLY LEFT BLANK

A serial tag is attached to the front face of the roadside frame bracket (**Figure 1**). The tag supplies valuable information regarding the exact components used to manufacture the suspension (**Figure 2**). In order to properly identify the NEWAY® suspension and its components when communicating with SAF-HOLLAND®, please record the specific model, serial number, and in-service date and refer to them when ordering replacement parts.

Figure 1

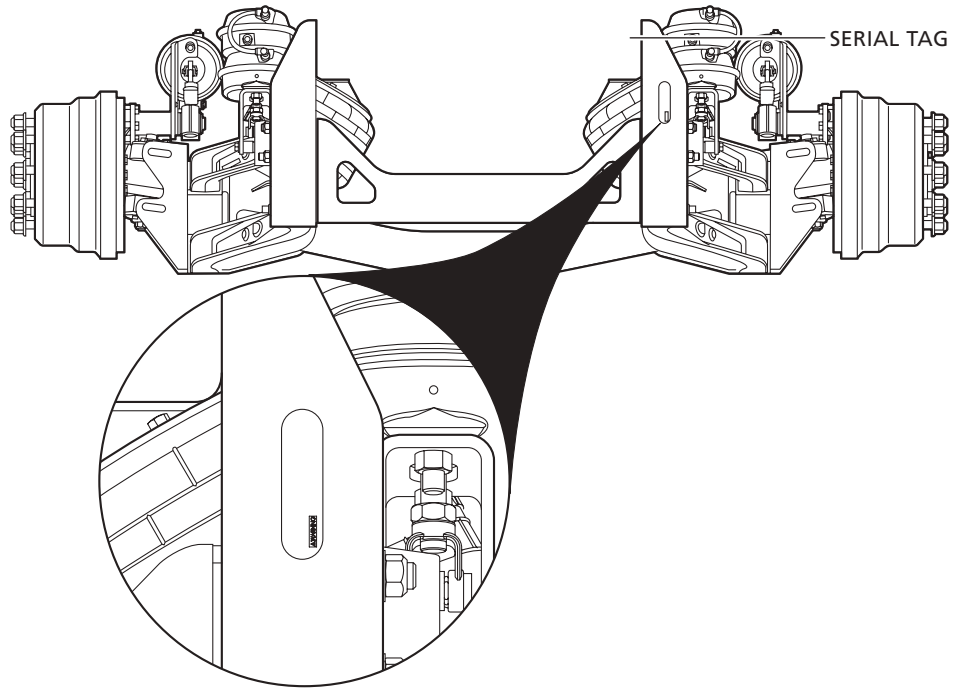


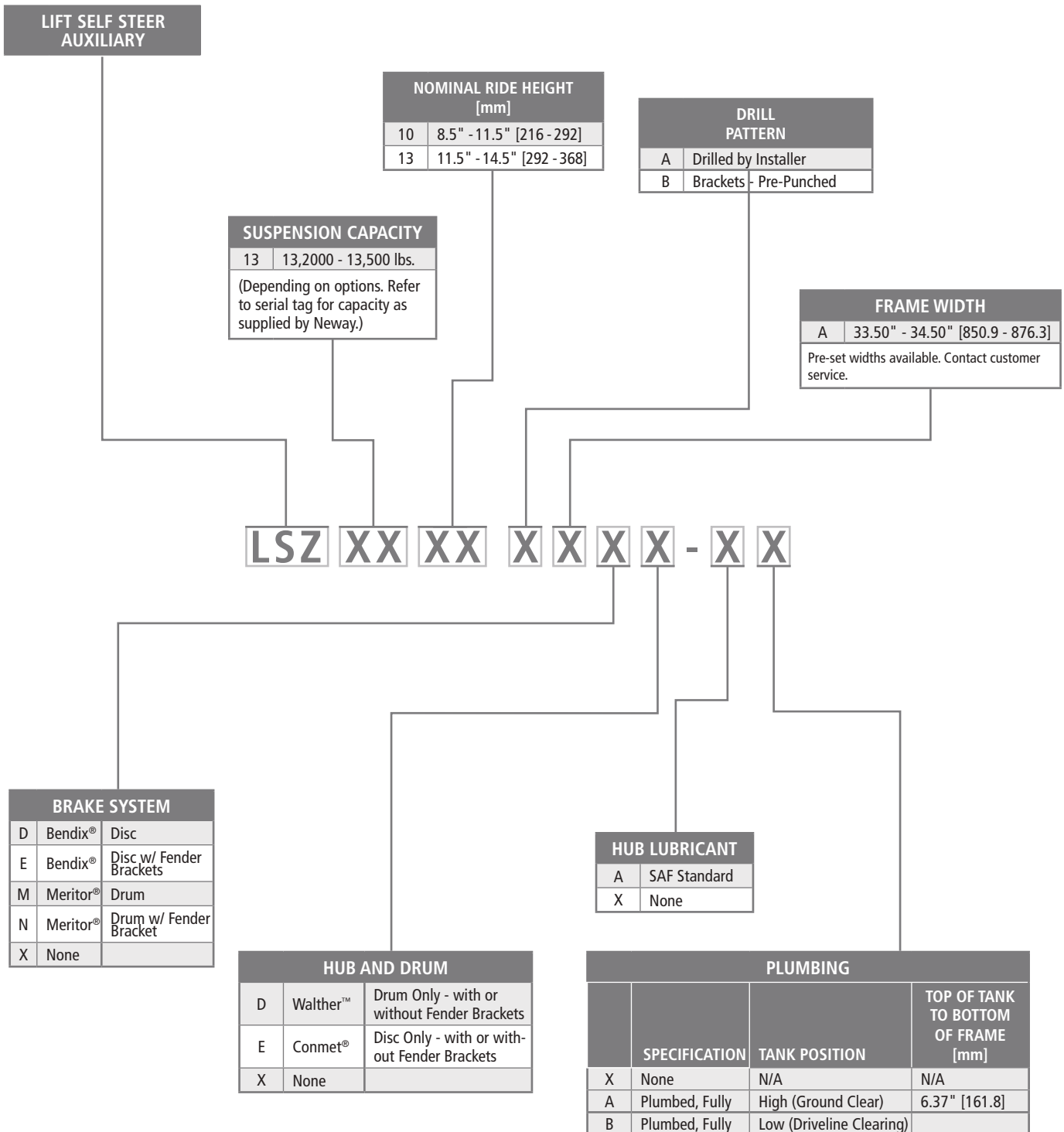


Figure 2

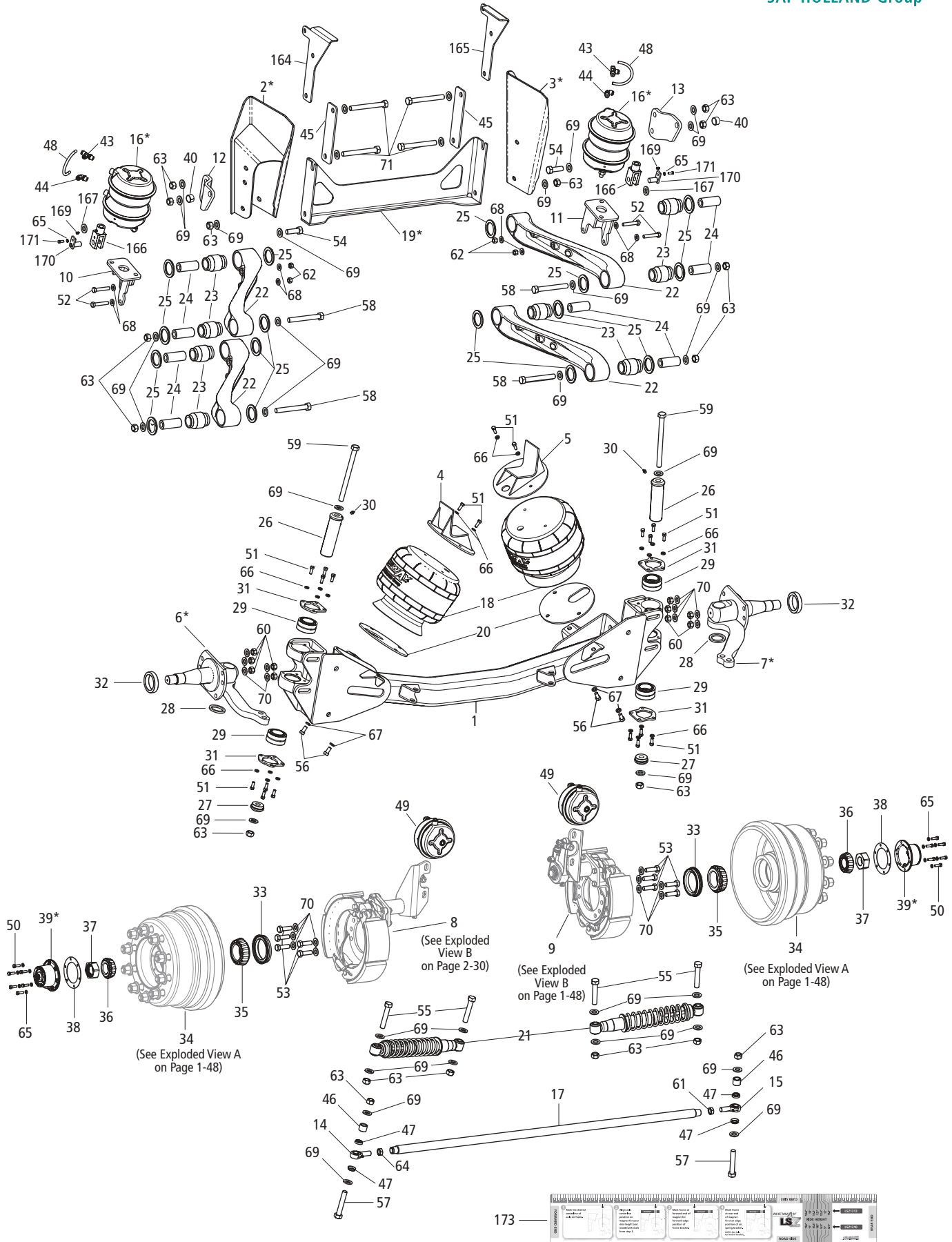
Model No: **XXX-XXX-XX**
 Capacity: **XX,XXX LBS**
 Serial No: **XXXXXXXX**  **MADE IN XXX**

 **WARNING**
 MODIFICATIONS TO THIS PRODUCT OR FAILURE TO PROPERLY INSTALL, MAINTAIN, & OPERATE THIS PRODUCT COULD RESULT IN LOSS OF CONTROL CAUSING SERIOUS INJURY OR DEATH.



LSZ

LSZ13 Exploded View

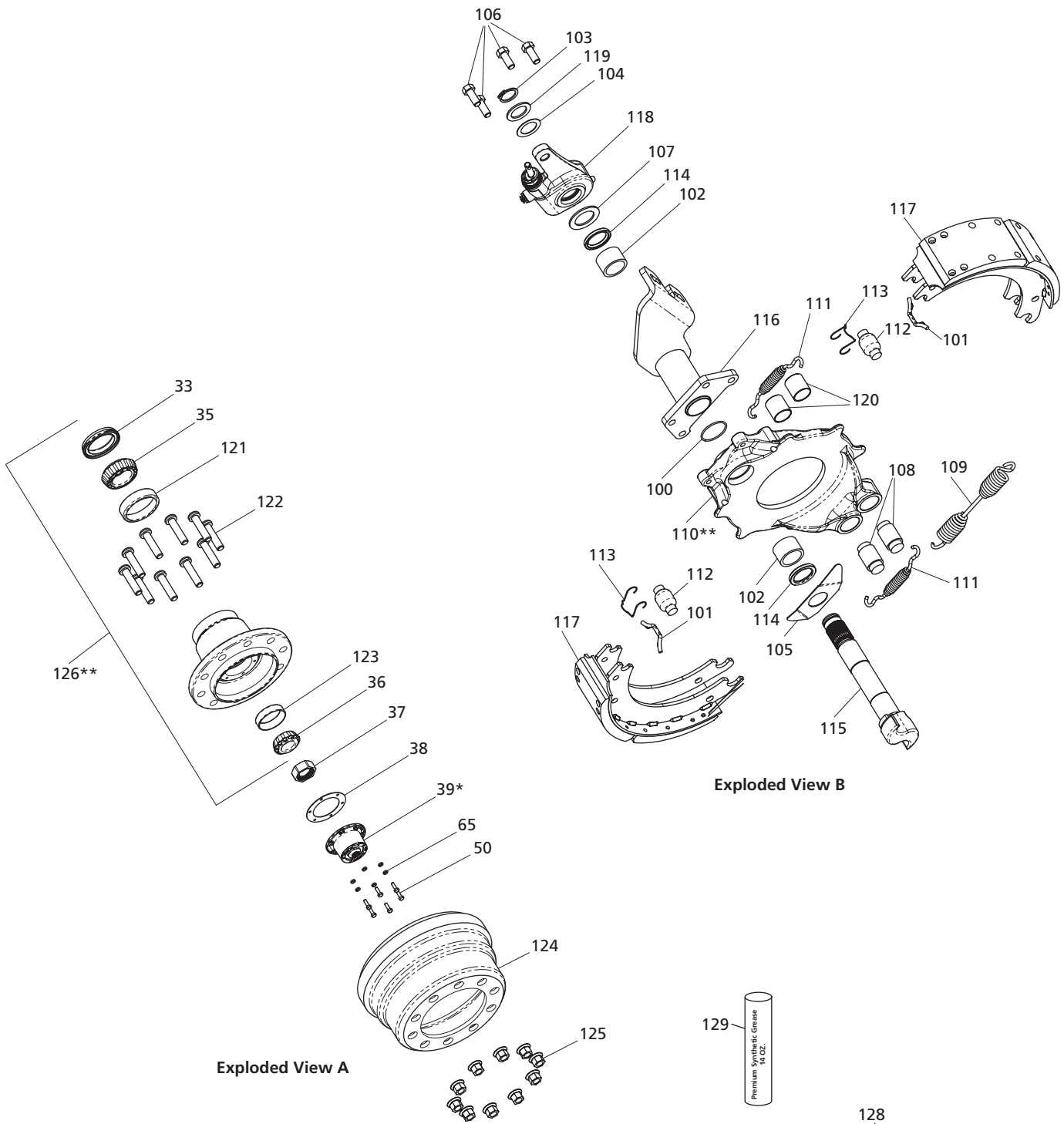


LSZ13 PARTS LIST				
ITEM	DESCRIPTION	PART NUMBER	QTY.	WEIGHT LBS [KG]
1	Axle/Knuckle Weldment	90549813	1	196.00 [88.90]
2*	Frame Bracket Assy, LH, 8-1/2" - 11-1/2" Ride HGHT - Paint	90522440	1	25.30 [11.48]
	Frame Bracket Assy, LH, 11-1/2" - 14-1/2" Ride HGT - Paint	90522444	1	28.60 [12.97]
	Frame Bracket Assy, LH, 8-1/2" - 11-1/2" Ride HGHT, Pre-punched	90522823	1	25.10 [11.39]
	Frame Bracket Assy, LH, 11-1/2" - 14-1/2" Ride HGT, LH, Pre-punched	90522819	1	28.40 [12.88]
3*	Frame Bracket Assy, RH, 8-1/2" - 11-1/2" Ride HGHT - Paint	90522442	1	25.30 [11.48]
	Frame Bracket Assy, RH, 11-1/2" - 14-1/2" Ride HGT - Paint	90522446	1	28.60 [12.97]
	Frame Bracket Assy, RH, 8-1/2" - 11-1/2" Ride HGHT, Pre-punched	90522825	1	25.10 [11.39]
4	Frame Bracket Assy, RH, 11-1/2" - 14-1/2" Ride HGT, Pre-punched	90522822	1	28.40 [12.88]
	Bracket, Air Spring Mount, LH, 8-1/2" - 11-1/2" Ride HGT	90531399	1	8.08 [3.67]
	Bracket, Air Spring Mount, LH, 11-1/2" - 14-1/2" Ride HGT	90531403	1	9.83 [4.46]
5	Bracket, Upper Air Spring, LH, 8-1/2" - 11-1/2" Ride HGHT, Pre-punched	90531411	1	8.00 [3.63]
	Bracket, Upper Air Spring, LH, 11-1/2" - 14-1/2" Ride HGT, Pre-punched	90531407	1	9.73 [4.41]
	Bracket, Air Spring Mount, RH, 8-1/2" - 11-1/2" Ride HGT	90531400	1	8.08 [3.67]
	Bracket, Air Spring Mount, RH, 11-1/2" - 14-1/2" Ride HGT	90531404	1	9.83 [4.46]
6*	Bracket, Upper Air Spring, RH, 8-1/2" - 11-1/2" Ride HGHT, Pre-punched	90531412	1	8.00 [3.63]
	Bracket, Upper Air Spring, RH, 11-1/2" - 14-1/2" Ride HGT, Pre-punched	90531408	1	9.73 [4.41]
7*	Spindle Assy - LH	90549820	1	32.70 [14.83]
8	Spindle Assy - RH	90549838	1	32.70 [14.83]
9	Drum Brake Assembly, Bolt-On, Left-Hand, Meritor™	90566001	1	71.80 [32.57]
10	Drum Brake Assembly, Bolt-On, Right-Hand, Meritor™	90566002	1	71.80 [32.57]
11	Bracket, Super Chamber™, Left-Hand	90550260	1	5.59 [2.54]
12	Bracket, Super Chamber™, Right-Hand	90550262	1	5.59 [2.54]
13	Bracket, Lift, Left-Hand	90026594	1	3.74 [1.70]
14	Bracket, Lift, Right-Hand	90026595	1	3.74 [1.70]
15	Rod End, 3/4" -16, Left-Hand	90045696	1	1.18 [0.53]
16*	Rod End, 3/4" -16, Right-Hand	90045695	1	1.18 [0.53]
17	Super Chamber™	90566000	2	16.00 [7.26]
18	Tie Rod Weldment	90549910	1	11.10 [5.03]
19*	Air Spring Assembly	90557417	2	9.59 [4.35]
20	Crossmember	90026642	1	20.50 [9.30]
21	Plate Support, Lower Air Spring	90034877	2	4.96 [2.25]
22	Steering Damper	90045662	2	15.00 [6.80]
23	Control Arm - Machined	90015168	4	17.50 [7.94]
24	Bushing	90008280	8	0.39 [0.17]
25	Core Pin	90038544	8	1.25 [0.57]
26	Flat Washer, Lock-Out	93600566	16	0.03 [0.01]
27	King Pin	90038548	2	5.46 [2.48]
28	End Cap	90010068	2	0.78 [0.36]
29	Spacer	90036286	2	0.18 [0.08]
30	Bearing, Spherical, Plain	90045663	4	2.12 [0.96]
31	Fitting Grease	93800229	2	N/A
31	Retainer	90034869	4	0.53 [0.24]

LSZ13 PARTS LIST				
ITEM	DESCRIPTION	PART NUMBER	QTY.	WEIGHT LBS [KG]
32	Spacer, Seal	90036289	2	0.86 [0.39]
33	Seal	90070000	2	1.90 [0.86]
34	Hub and Drum Assembly, Webb™	90570000	2	113.00 [51.26]
	Hub and Drum Assembly, KIC™	90570004	2	118.00 [53.52]
	Hub and Drum Assembly, Walther™	90570005	2	97.00 [44.00]
35	Taper Bearing Cone, 2-5/8" Inboard	90070001	2	2.76 [0.57]
36	Taper Bearing Cone, 1-3/4" Outboard	90070002	2	1.23 [0.56]
37	Nut, Pro-Torque	90070005	2	0.97 [0.44]
38	Gasket	90070004	2	0.20 [0.09]
39*	Hub Cap	90070003	2	2.01 [0.91]
40	Bearing, Lift Bracket	90045716	2	0.02 [0.01]
43	3/8" Male Run Tee	93800338	2	N/A
44	3/8" Male Elbow	93800339	2	0.02 [0.01]
45	Spacer	90034902	2	1.91 [0.87]
46	Spacer, Rod End	90036293	2	0.20 [0.09]
47	Rod Seal	90045707	4	0.02 [0.01]
48	Tube, 3/8" Diameter x 6" Long	Neway Supplied	2	N/A
49	Service Chamber, Type 20	90566003	2	7.00 [3.18]
50	Hex Head Cap Screw, 5/16"-18 x 1" GR 5	93002463	12	N/A
51	Bolt, Hex, 3/8"-16 x 1" GR 8	93002573	20	N/A
52	Bolt, Hex, 1/2"-13 x 2-3/4" GR 5	93002937	4	N/A
53	Cap Screw, Hex, 5/8"-18 x 2" GR 8	93003348	10	N/A
54	Cap Screw, Hex, 3/4"-10 x 2-1/4" GR 8	93003569	2	N/A
55	Cap Screw, Hex, 3/4"-10 x 4" GR 5	93003609	4	0.58 [0.26]
56	Bolt Hex, 1/2"-13 x 1-1/2" GR 5	93002907	4	N/A
57	Cap Screw, Hex, 3/4"-10 x 4-1/4" GR 8	93003617	2	0.68 [0.31]
58	Cap Screw, Hex, 3/4"-10 GR 8 6.00"	93003659	4	0.90 [0.40]
59	Cap Screw, Hex, 3/4"-10 x 9-1/2" GR 8	93003743	2	1.14 [0.52]
60	Nut, Hex, Lock, 5/8"-18 GR C	93400491	10	0.07 [0.03]
61	Jam Nut, 3/4"-16 GR C	93400271	1	0.33 [0.15]
62	Nut, Hex, Lock, 1/2"-13 GR B	93400480	4	0.04 [0.02]
63	Nut, Hex, Lock, .75-10 GR C	93400494	18	0.11 [0.05]
64	Jam Nut, 3/4"-16, LH	93400631	1	0.06 [0.03]
65	Washer, Lock, 5/16"	93600043	16	0.01 [0.005]
66	Washer, Lock, 3/8"	93600045	20	0.01 [0.005]
67	Washer, Lock, 1/2"	93600049	4	0.01 [0.005]
68	Washer, Flat, Hard, 1/2"	93600138	8	0.02 [0.01]
69	Washer, Flat Narrow 0.75	93600156	36	0.04 [0.02]
70	Washer, Flat, Hard, 5/8"	93600555	20	0.04 [0.02]
71	Cap Screw, Hex 3/4-10 x 6.5 GR 8	93003671	4	N/A
164	Shelf Bracket - LH 8-1/2" - 11-1/2" Ride HGHT	90026726	1	4.95 [2.25]
	Shelf Bracket - LH 11-1/2" - 14-1/2" Ride HGT	90026728	1	6.00 [2.72]
165	Shelf Bracket - RH 8-1/2" - 11-1/2" Ride HGT	90026725	1	4.95 [2.25]
	Shelf Bracket - RH 11-1/2" - 14-1/2" Ride HGT	90026727	1	6.00 [2.72]
166	Clevis, Machined	90026770	2	0.18 [0.07]
167	Washer, 3/4", Special Thick	93600567	2	0.07 [0.03]
169	Set Screw, 5/16" Lock	93006046	2	N/A
170	Pin, Clevis	90501539	2	0.33 [0.15]
171	Hex Head Cap Screw, 5/16-18 x 3/4" GR8	93002459	2	N/A
173	LSZ Magnet	NA	1	NA

*Not sold individually - must be purchased in kit.

LSZ Brake Exploded View A and B



Exploded View A

Exploded View B

WARNING

Minimum tire clearance **NOT** to be equipped between tires and lowest point of vehicle on the suspension or vehicle. Proper tire wear, fit or loss of vehicle control could result from contact with low rim of irregular tire and maintenance.

THE CLEARANCE REQUIREMENTS

• 4 INCH (10.16 CM) MINIMUM CLEARANCE, not reduction in required clearance, for top of tire, top and low lateral point of contact above the axle group. This is required in operating and emergency braking conditions to prevent the tire from fully contacting with a suspension or frame.

• 4 INCH (10.16 CM) MINIMUM CLEARANCE, not reduction in required clearance, for side of tire for full lateral point of contact throughout the entire life of suspension. This clearance should be verified and fully maintained after operation of the vehicle on rough or uneven terrain.

NEWAY
SAF-HOLLAND Group

LSZ SERIES SUSPENSION TORQUE SPECIFICATIONS

Fastener Size	Pivot Connections, U-Bolts, Kingpins, and Steering	Bull-Off Brake Assembly	Super Chamber Brake Chamber	Lower Air Spring	Chamber Bracket	Retainer Plates	Upper Air Spring Bracket
		3/4"-10 (271-339)	3/4"-10 (180-210)	5/8"-11 (203-244)	5/8"-11 (180-203)	1/2"-13 (34-47)	1/2"-13 (30-68)
Torque ft.-lbs. (Nm)	200-250 (271-339)	130-155 (180-210)	150-180 (203-244)	130-155 (180-203)	25-30 (34-47)	37-50 (50-68)	25-35 (34-47)

Torques are with clean, lubricated threads. Always apply torque to nut whenever possible.

Required re-torquing schedule:

- All fasteners after first 100 hours or service or 5,000 miles.
- 50,000 mile intervals, routine preventative maintenance, or strike retuning.

SAF-HOLLAND
Copyright © 2014 SAF-HOLLAND, Inc.
SAF-HOLLAND-04-08
www.saf-holland.com 1-800-396-6200

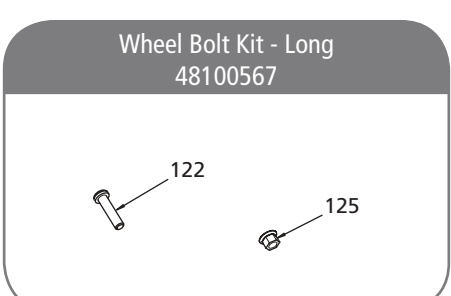
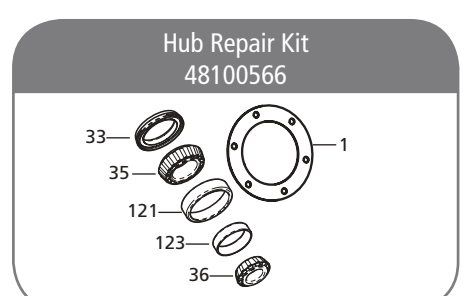
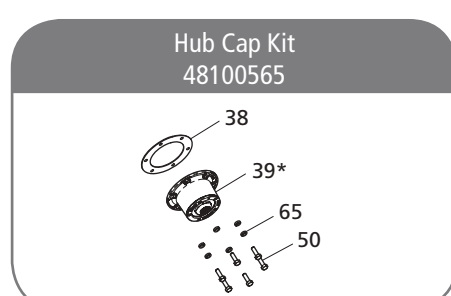
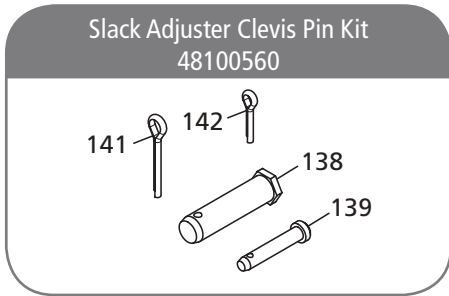
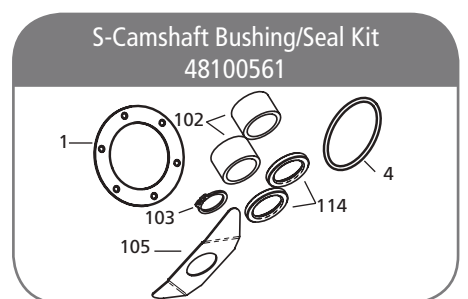
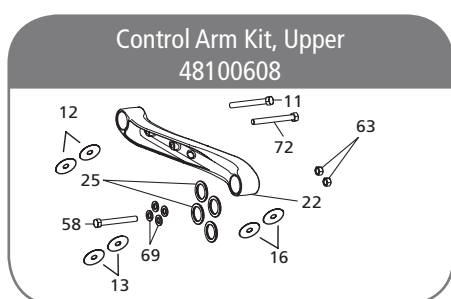
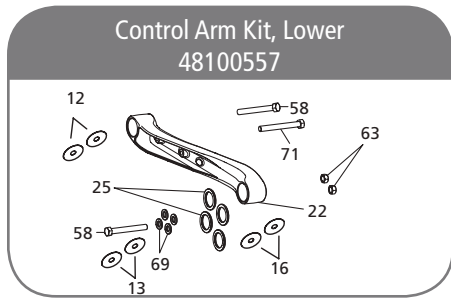
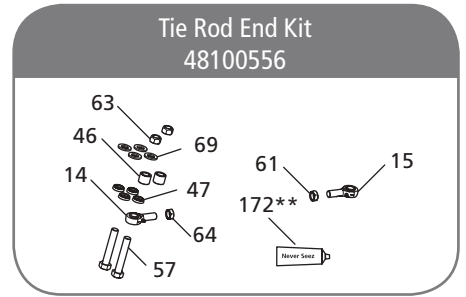
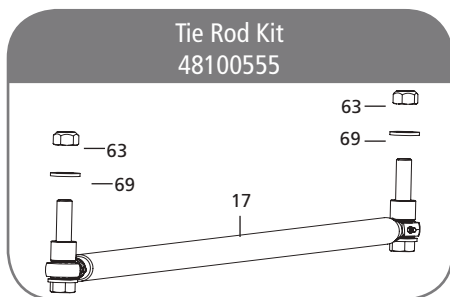
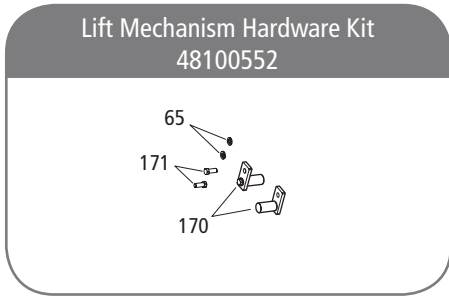
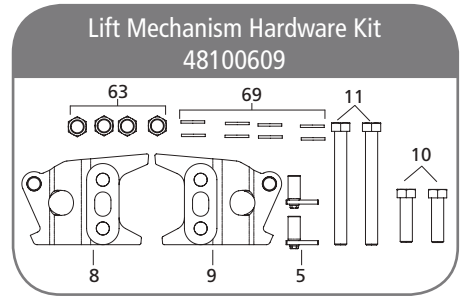
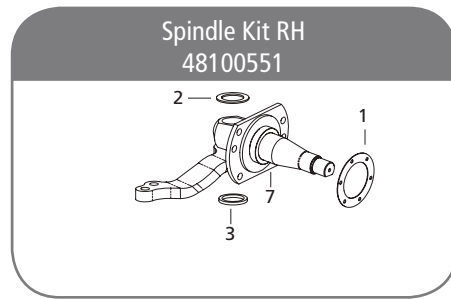
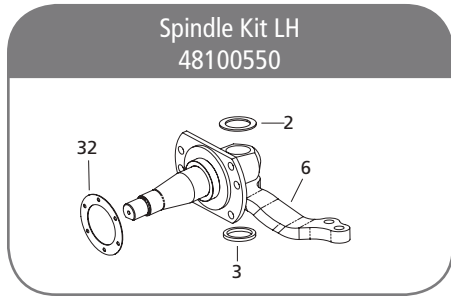
ITEM	DESCRIPTION	PART NUMBER	QTY.	WEIGHT LBS [KG]
33	Seal	90070000	2	1.90 [0.86]
35	Bearing	90070001	2	2.76 [1.25]
36	Bearing	90070002	2	1.23 [0.56]
37	Nut, Pro Torque	90070005	2	0.97 [0.44]
38	Gasket	90070004	2	0.20 [0.09]
39*	Hub	90070003	2	2.01 [0.91]
50	Bolt Hex 5/16-18 x 1.00 GR 5	93002463	12	N/A
65	Lock Washer, Extra Duty, Helical Spring	93600043	12	0.01 [0.005]
100	O-ring, camshaft tube	90066000	2	0.01 [0.005]
101	Pin, spring return	90066001	4	0.01 [0.005]
102	Bushing, camshaft	90066003	4	0.04 [0.02]
103	Ring, Retaining	90066004	2	0.01 [0.005]
104	Washer, slack adjuster, thin	90066005	2	0.01 [0.005]
105	Washer, under cam head	90066006	2	0.02 [0.01]
106	Cap screw mounting cam bracket	90066007	8	0.02 [0.01]
107	Washer	90066008	2	0.01 [0.005]
108	Pin, anchor	90066009	4	0.09 [0.04]
109	Spring, return	90066012	2	0.60 [0.27]
110**	Spider, RS - See Item #8	*Not Sold Individually	1	N/A
	Spider, CS - See Item #9		1	N/A
111	Spring, shoe retaining	90066013	4	0.20 [0.09]
112	Roller, CAM	90066014	4	0.08 [0.04]
113	Retainer, brake shoe roller	90066015	4	0.01 [0.005]
114	Seal, camshaft	90066016	4	0.02 [0.01]
115	S-camshaft RS	90066018	1	N/A
N/S	S-camshaft CS	90066017	1	N/A
116	Bracket, camshaft support RS	90066020	1	N/A
N/S	Bracket, camshaft support CS	90066019	1	N/A
117	Shoe, brake lined	90066021	4	16.90 [7.67]
118	Slack adjuster w/ clevis	90066022	2	6.20 [2.81]
119	Washer, slack adjuster, thick	90066002	2	0.01 [0.005]
120	Bushing, anchor pin	90066011	4	0.02 [0.01]
121	Cup, Bearing - Large	90070007	2	1.17 [0.53]
122	Stud, M22 X 1.5	90070006	20	0.82 [0.37]
123	Cup, Bearing - Small	90070008	2	0.62 [0.28]
124	Drum, 15 x 4 10-Stud - KIC	90070009	2	N/A
	Drum, 15 x 4 10-Stud - Walther	90070010		
	Drum, 15 x 4 10-Stud - Webb	90070011		
125	Nut	04247301201Z	20	0.30 [0.14]
126**	Hub & Bearing Assy, FF 10-Stud - KIC	90570009	2	N/A
	Hub & Bearing Assy, FF 10-Stud - Walther	90570010		
	Hub & Bearing Assy, FF 10-Stud - Webb	90570011		
127	Tire Clearance Decal	XL-AR356-01	1	N/A
128	Torque Decal	XL-PS20006DC-en-US	1	N/A
129	Premium Synthetic Grease 14 Oz.	50844001	1	N/A

For LSZ Suspension Maintenance Manual, see Neway Publication XL-PS20011MM-en-US at www.SAFHolland.us

*Not sold individually - must be purchased in kit.

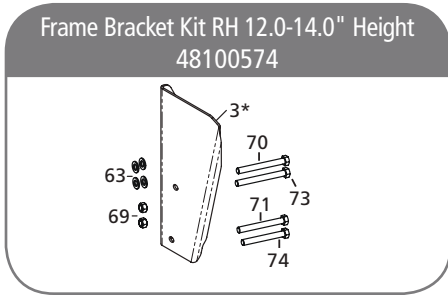
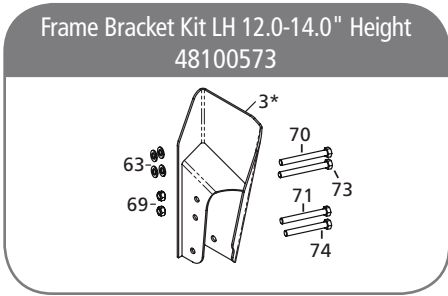
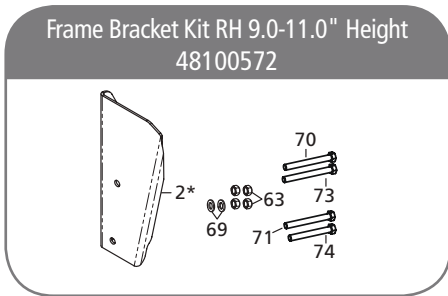
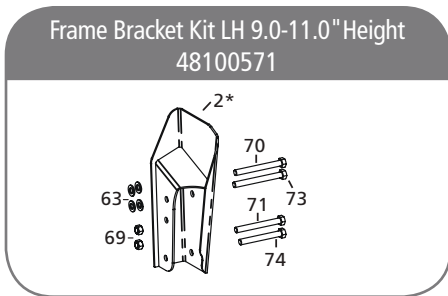
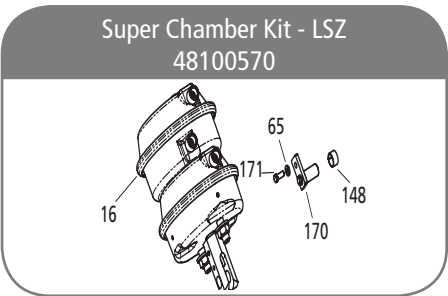
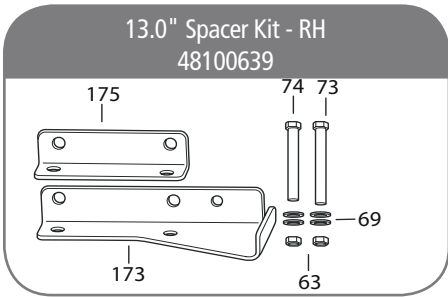
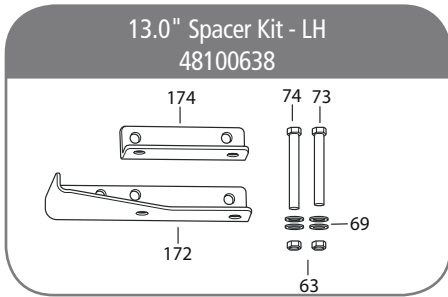
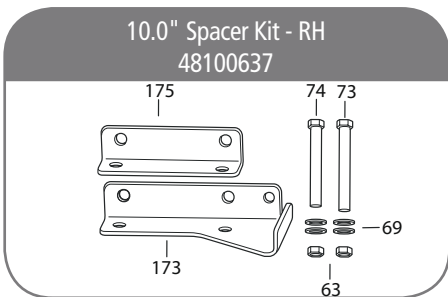
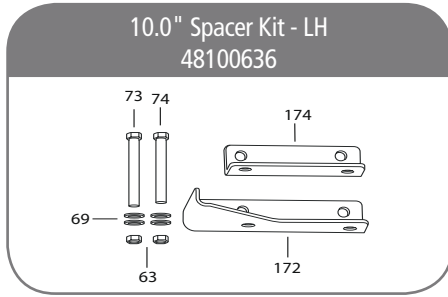
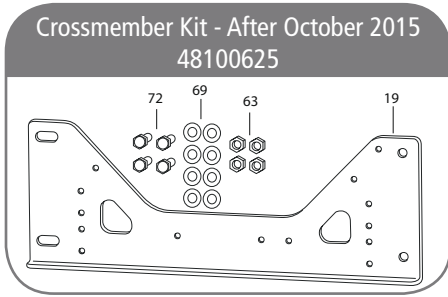
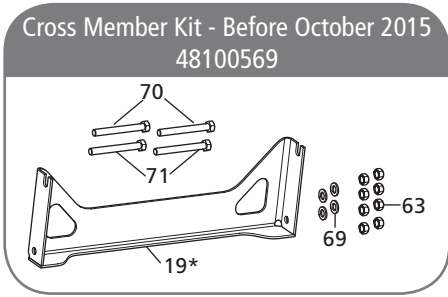
**Not sold individually - must be purchased as an assembly.

LSZ



ITEM	DESCRIPTION	PART NUMBER	QTY.	WEIGHT LBS [KG]
2	Washer,Hard,Spindle-Thin	93600572	1	0.13 [0.06]
3	Washer,Hard,Spindle-Thick	93600571	1	0.15 [0.07]
4	O-Ring,Camshaft Tube	90066000	1	N/A
5	Clevis Pin Assembly	90501539	2	0.33 [0.15]
6	Spindle Assembly,Lh	90550180	1	33.60 [15.24]
7	Spindle Assembly,Rh	90550181	1	33.60 [15.24]
8	Lower Lift Bracket Assembly	90550326	1	4.87 [2.21]
9	Lower Lift Bracket Assembly-Rh	90550327	1	4.87 [2.21]
10	Cap Screw,Hex .75-10X2.75" Gr 8	93003581	2	N/A
11	Cap Screw,Hex 0.75-10X7.00 Gr 8, Lift Mech Kit	93003683	1	N/A
	Cap Screw,Hex 0.75-10X7.00 Gr 8, Control Arm Kit		2	
12	Shim	90036304	2	0.02 [0.01]
13	Shim	90036303	2	0.02 [0.01]
14	Rod End, 0.75-16,LH	90045696	1	1.18 [0.54]
15	Rod End, 0.75-16,RH	90045695	1	1.18 [0.54]
16	Shim	90036302	2	0.02 [0.01]
17	Tie Rod	90549858	1	14.90 [6.76]
22	Control Arm Assembly	90517255	1	30.10 [13.65]
25	Washer,Lock-Out	93600566	4	0.03 [0.01]
32	Gasket	90070004	1	0.20 [0.09]
33	Seal	90070000	1	1.90 [0.86]
35	Bearing,Wheel,Large	90570012	1	3.93 [1.78]
36	Bearing Wheel, Small	90570013	1	1.85 [0.84]
39	Hub Cap	90070003	1	2.01 [0.91]
46	Spacer, Rod End	90036293	2	0.20 [0.09]
47	Rod Seal	90045707	4	0.02 [0.01]
50	Cap Screw, Hex 0.625 - 18 X 2 Gr 8	93002463	6	0.01 [0.005]

ITEM	DESCRIPTION	PART NUMBER	QTY.	WEIGHT LBS [KG]
57	Cap Screw, Hex 0.75-10 Gr 8 4.25"	93003617	2	0.68 [0.31]
58	Cap Screw, Hex, 0.75-10 x 6.00" Gr 8 Control Arm - Lower	93003659	2	0.90 [0.41]
	Cap Screw, Hex, 0.75-10 x 6.00" Gr 8, Control Arm - Upper		1	
61	Jam Nut, 0.75-16 Gr C	93400271	1	0.33 [0.15]
63	Nut,Hex,Lock 0.75-10 Gr C	93400494	2	0.11 [0.05]
63	Nut,Hex,Lock 0.75-10 Gr C	93400494	4	N/A
64	Jam Nut, 0.75-16,Lh	93400631	1	0.06 [0.03]
65	Washer,Lock 0.314 Min Id-Cad	93600043	6	0.01 [0.005]
69	Washer,Flat Hardened 0.75 - Tie Rod Kit	93600156	2	0.04 [0.02]
	Washer,Flat Hardened 0.75 - Tie Rod End Kit		4	
	Washer,Flat Hardened 0.75 - Lift Mechanism Kit		8	
71	Cap Screw,Hex 0.75-10X6.50 Gr 8	93003671	1	N/A
101	Pin,Return Spring-.25" Diax2.75" Lg	90066001	2	0.01 [0.005]
102	Bushing,Camshaft-1.5" Idx1.88" Od/X1.19" Lg	90066003	1	0.04 [0.02]
103	Retaining Ring-1.16" Idx.09" Thick	90066004	1	0.18 [0.54]
105	Washer,Cam Head	90066006	1	0.02 [0.01]
108	Pin,Anchor	90066009	1	0.09 [0.04]
109	Spring,Brake Shoe Return	90066012	4	0.60 [0.27]
111	Spring,Shoe Retaining	90066013	4	0.20 [0.09]
112	Cam Roller,1.25" Odx2.25" Lg	90066014	4	0.08 [0.04]
113	Retainer,Cam Roller	90066015	2	0.01 [0.005]
114	Seal,Camshaft	90066016	4	0.02 [0.01]
138	Clevis Pin,Large	90066023	2	0.11 [0.05]
139	Clevis Pin,Small	90066024	2	0.02 [0.01]
141	Clip,Wire,Large	90066025	2	0.01 [0.005]
142	Clip,Wire,Small	90066026	4	0.01 [0.005]
170	Pin, Clevis	90501539	2	0.33 [0.15]
171	Hex Head Cap Screw, .31 - 18 x0.75" Gr 8	93002459	2	0.01 [0.005]
172	Never-Seez	XB-02967	1	0.02 [0.01]

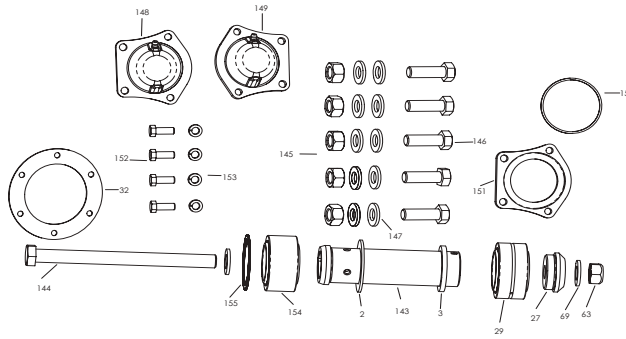


ITEM	DESCRIPTION	PART NUMBER	QTY.	WEIGHT LBS [KG]
2*	Frame Bracket Assy., LH, 8-1/2" - 11-1/2" Ride HGHT - Paint	90522440	1	25.30 [11.48]
	Frame Bracket Assy., RH, 8-1/2" - 11-1/2" Ride HGHT - Paint	90522442	1	25.30 [11.48]
3*	Frame Bracket Assy., LH, 11-1/2" - 14-1/2" Ride HGT - Paint	90522444	1	28.60 [12.97]
	Frame Bracket Assy., RH, 11-1/2" - 14-1/2" Ride HGT - Paint	90522446	1	28.60 [12.97]
16	Super Chamber™	90566000	1	16.00 [7.26]
19*	Crossmember - Painted	90026642	1	20.50 [9.30]
63	Nut, Hex, Lock, 3/4-10 GR C, Cross Member Kit	93400494	8	0.11 [0.05]
	Nut, Hex, Lock, 3/4-10 GR C, Frame Bracket Kit		4	0.11 [0.05]
65	Lock Washer, Extra Duty, Helical Spring	93600043	1	0.01 [0.005]
69	Washer, Flat, Narrow, 3/4, Cross Member Kit	93600156	4	0.04 [0.02]
	Washer, Flat, Narrow, 3/4, Frame Bracket Kit		2	0.04 [0.02]
70	Cap Screw, Hex 0.75 -10 x 6.75" Gr 8	9300677	2	
71	Cap Screw, Hex 3/4-10x6.5 GR 8, Cross Member Kit	93003671	2	
	Cap Screw, Hex 3/4-10x6.5 GR 8, Frame Bracket Kit		1	0.01 [0.005]

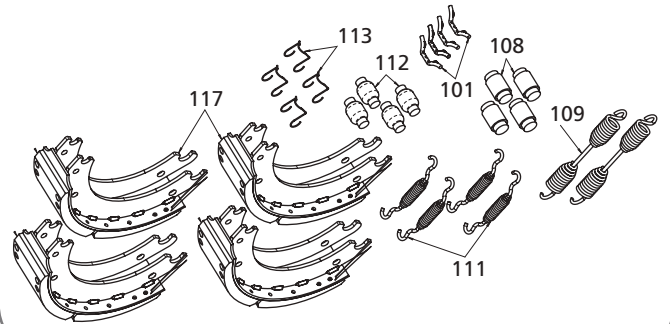
ITEM	DESCRIPTION	PART NUMBER	QTY.	WEIGHT LBS [KG]
72	Cap Screw, Hex 0.75 - 10 x 2.0" Gr 8	93003563	4	
73	Cap Screw, Hex 0.75 - 10 x 7.0" Gr 8	93003683	2	
74	Cap Screw, Hex 0.75 - 10 x 6.0" Gr 8	93003659	2	
143	Clevis, Altered - MCP	90026770	1	0.18 [0.08]
148	Bearing	90045716	1	0.02 [0.01]
167	Washer, 3/4", Special Thick	93600567	1	0.07 [0.03]
169	Set Screw, 5/16" Lock	93006046	1	0.01 [0.005]
170	Pin, Clevis	90501539	1	0.33 [0.15]
171	Hex Head Cap Screw, 5/16-18 x 3/4" GR8	93002459	1	0.01 [0.005]
172	Shelf Bracket, LH - 10.0"	90026916	1	
	Shelf Bracket, LH - 13.0"		1	
173	Shelf Bracket, RH - 10.0"	90026917	1	
	Shelf Bracket, RH - 13.0"		1	
174	Space Wrapper, LH	90026920	1	
175	Spacer Wrapper, RH	90026921	1	

*Not sold individually - must be purchased in kit.

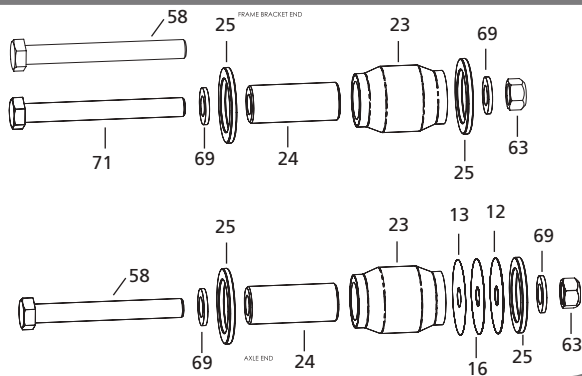
Kingpin Replacement Kit
48100641



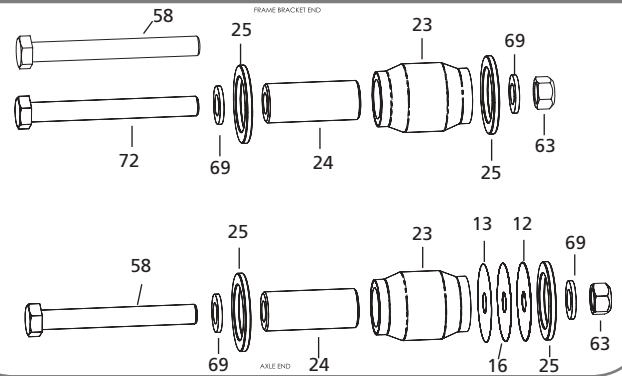
Brake Shoe & Hardware Kit
48100559



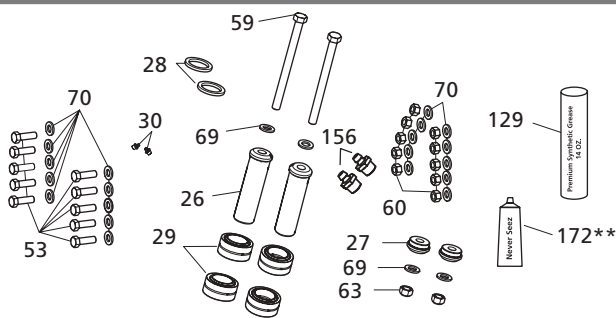
Bushing Kit, Lower
48100553



Bushing Kit, Upper
48100607

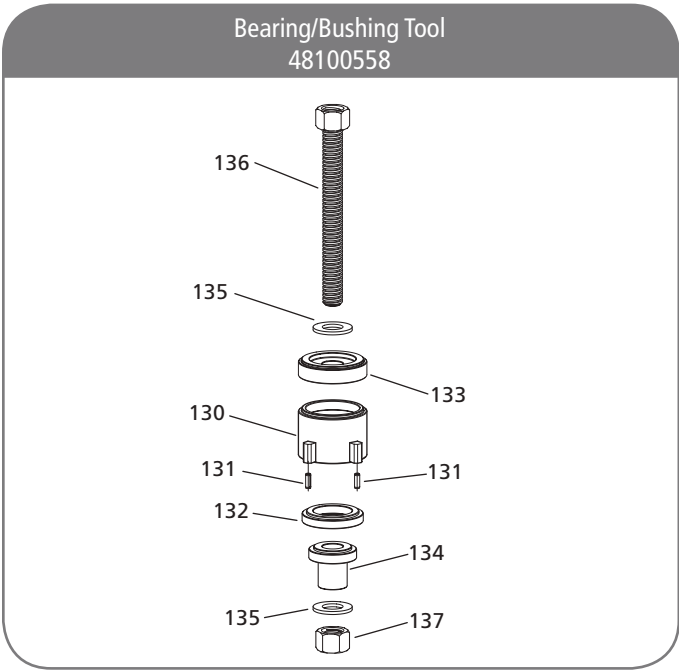


Kingpin Replacement Kit
48100554

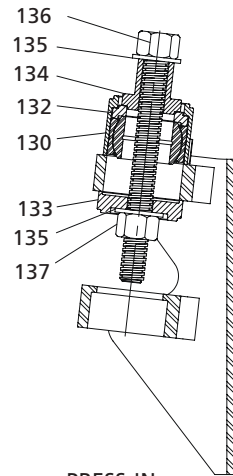


ITEM	DESCRIPTION	PART NUMBER	QTY.	WEIGHT LBS [KG]
12	Shim	90036304	8	0.02 [0.01]
13	Shim	90036303	8	0.02 [0.01]
16	Shim	90036302	8	0.02 [0.01]
23	Bushing	90008280	4	0.39 [0.17]
24	Core Pin-Coated	90038544	4	1.25 [0.57]
25	Washer,Lock-Out	93600566	8	0.03 [0.01]
26	King Pin	90038548	2	5.46 [2.48]
27	End Cap - Plated	90010068	2	0.78 [0.36]
28	Washer Hark, Spindle Thick	93600571	8	0.15 [0.07]
29	Bearing,Spherical,Plain	90045663	2	2.12[0.96]
30	Fitting, Grease	93800229	2	0.01 [0.05]
32	Gasket	90070004	2	0.20 [0.09]
53	Cap Screw,Hex 0.625-18X2 Gr 8	93003348	10	N/A
58	Cap Screw,Hex 0.75-10X6.00 Gr 8	93003659	2	0.90 [0.41]
60	Nut,Hex,Lock .62-18 Prevailing Torq Gr C	93400491	10	0.07 [0.03]
63	Nut,Hex,Lock .75-10 Gr C	93400494	4	0.11 [0.05]
	Nut,Hex,Lock .75-10 Gr C		2	
69	Washer,Flat Hardened 0.75	93600156	8	0.04 [0.02]
71	Cap Screw,Hex 0.75-10X6.50 Gr 8	93003671	2	N/A
72	Cap Screw,Hex 0.75-10X6.75 Gr 8	93003677	2	N/A
101	Pin,Return Spring-.25" Diax2.75" Lg	90066001	4	0.01 [0.005]
108	Pin,Anchor	90066009	4	0.09 [0.04]
109	Spring,Brake Shoe Return	90066012	2	0.60 [0.27]
111	Spring,Shoe Retaining	90066013	4	0.20 [0.09]
112	Roller, Cam	90066014	4	0.08 [0.04]
113	Retainer, Cam Roller	90066015	4	0.01 [0.005]
117	Shoe Assembly,Brake,Lined	90066021	4	16.90 [7.67]
143	King Pin-Hardened	90038589	2	5.36 [2.43]
144	Cap Screw,Hex 0.75-10X9.50 Gr 8	93003743	2	1.14 [0.52]
147	Washer,Flat 0.625 Hardened	93600555	20	0.04 [0.02]
148	Kingpin Cap Assembly	90510144	1	0.88 [0.40]
149	Kingpin Cap Assembly-Rh	90510145	1	0.88 [0.40]
150	Square Cut Ring,3-3/16"	90045757	2	N/A
151	Plate,Lower Bearing Retaining	90035006	2	0.70 [0.32]
152	Bolt,Hex.38-16X1 Gr 8	93002573	8	N/A
153	Washer,Lock 0.377 Min Id-Cad	93600045	8	N/A
154	Bearing,Spherical,Upper	90045752	2	
172	Never-Seez	XB-02967	1	0.02 [0.01]
155	Shim, Bearing	90036305	4	

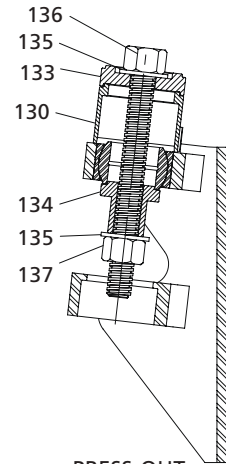
*Not sold individually - must be purchased in kit.



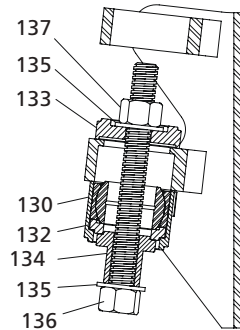
ITEM	DESCRIPTION	PART NUMBER	QTY.	WEIGHT LBS [KG]
130	Body Assy.	50544018	1	1.40 [0.64]
131	Spring Pin, 1/2 Dia. x 3/4 LG	50044008	2	0.01 [0.005]
132	Adapter	50044006	1	0.57 [0.26]
133	Bridge	50044005	1	1.60 [0.73]
134	Ram	50044007	1	0.97 [0.44]
135	Washer, 1.0	93600168	2	0.08 [0.04]
136	Acme Bolt	50544019	1	0.01 [0.005]
137	Acme Nut, 1" - 5	50044011	1	0.01 [0.005]



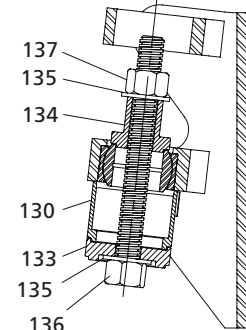
**PRESS-IN
UPPER BEARING**



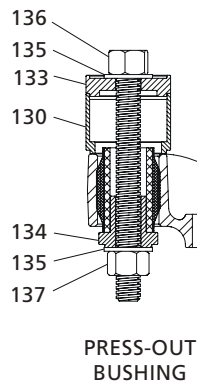
**PRESS-OUT
UPPER BEARING**



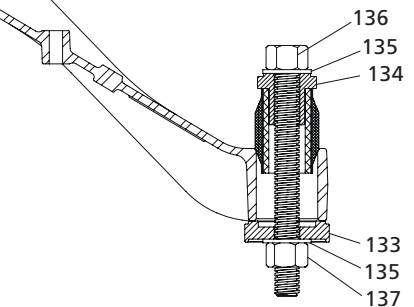
**PRESS-IN
LOWER BEARING**



**PRESS-OUT
LOWER BEARING**



**PRESS-OUT
BUSHING**



**PRESS-IN
BUSHING**

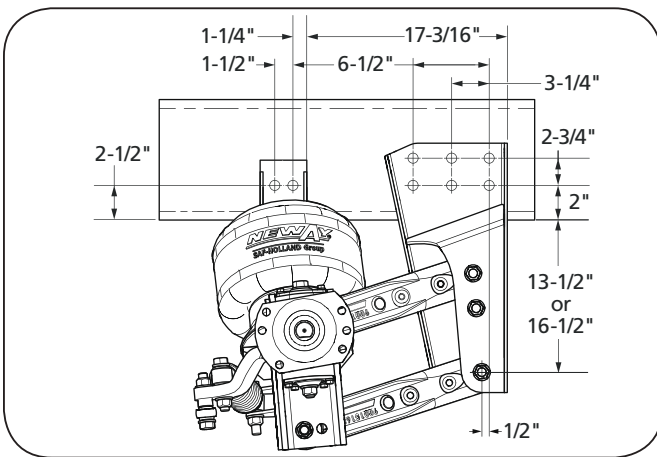
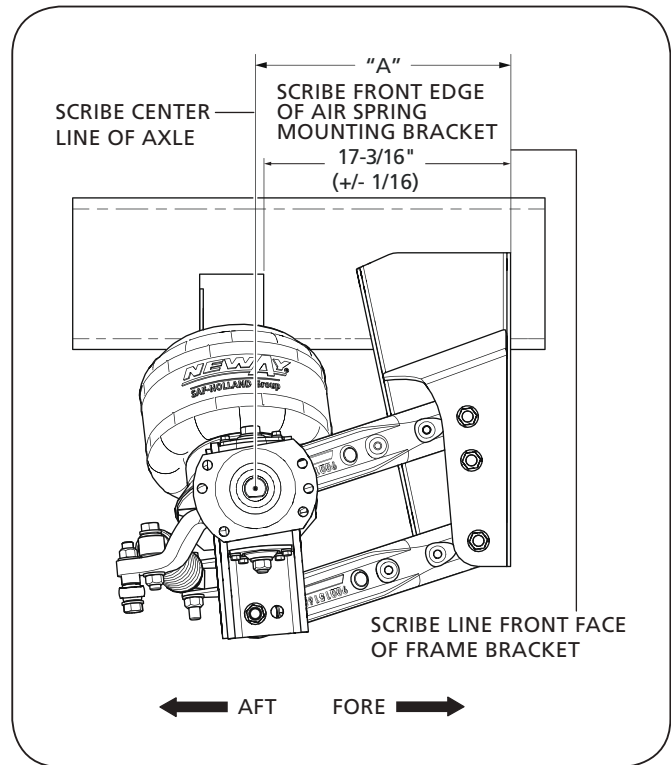
THIS PAGE INTENTIONALLY LEFT BLANK

LSZ Dimensional View

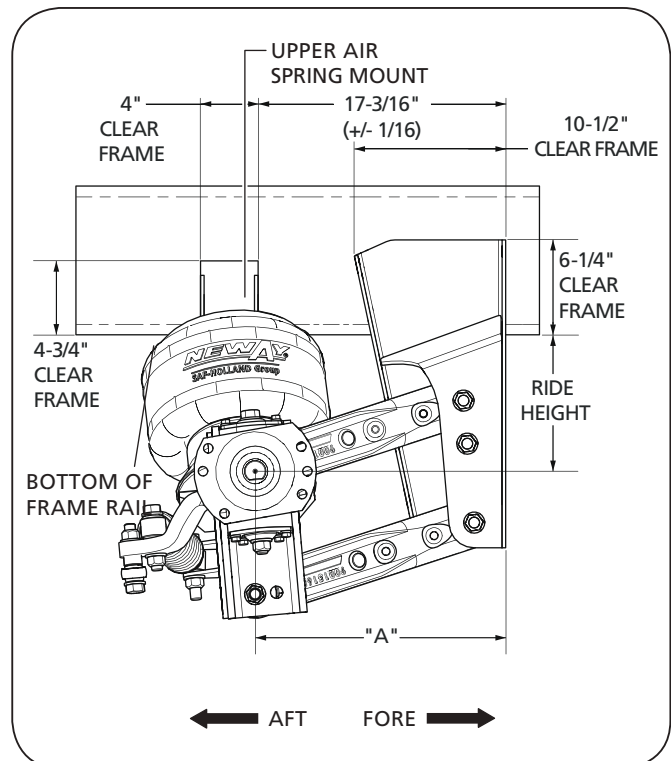


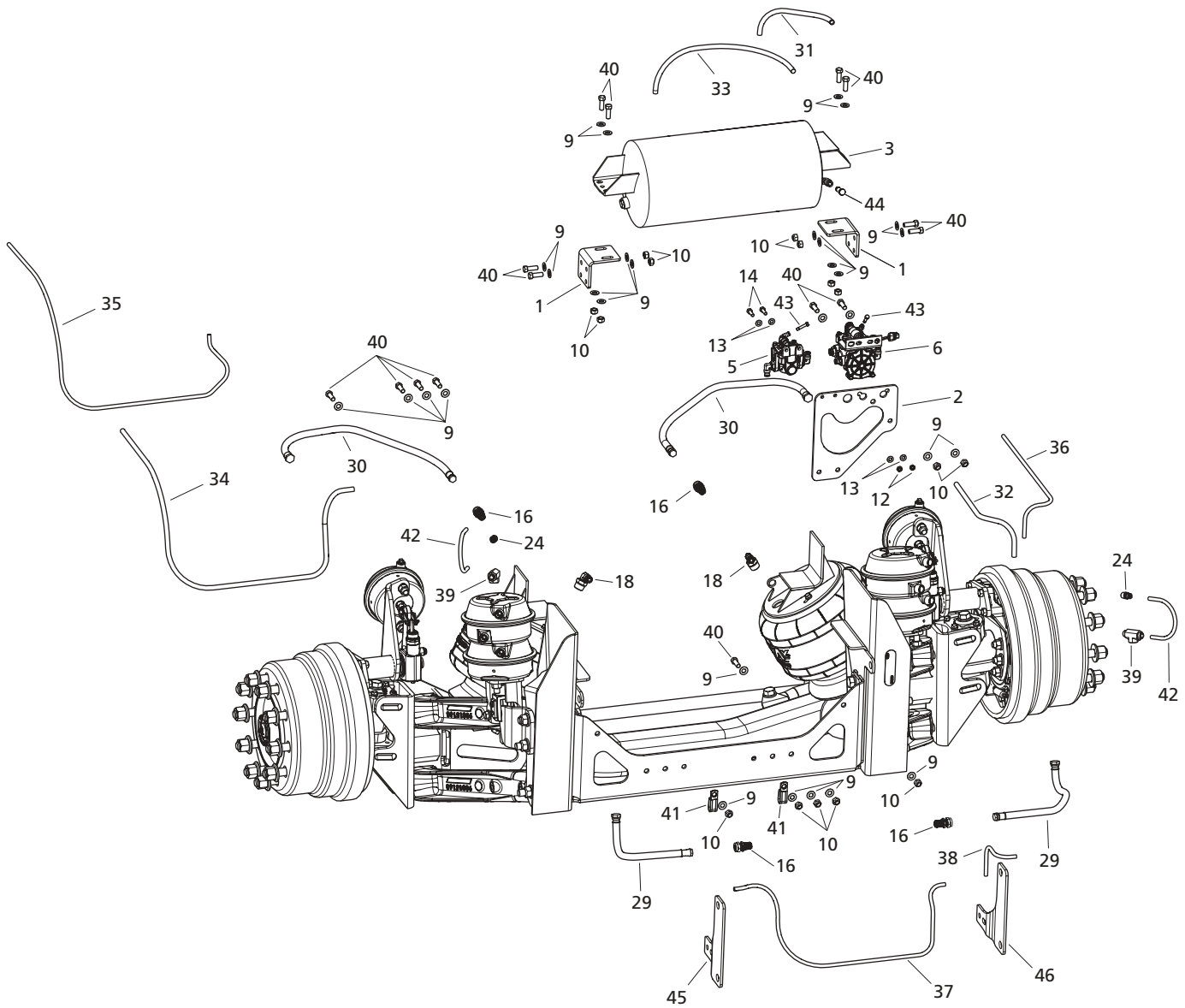
SAF-HOLLAND Group

MODEL	RIDE HEIGHT	"A" DIMENSION
LSZ1310	8.5"	17-13/16"
	9"	17-5/8"
	9.5"	17-1/2"
	10"	17-3/8"
	10.5"	17-3/16"
	11"	17"
LSZ1313	11.5"	16-3/4"
	12"	17-5/8"
	12.5"	17-1/2"
	13"	17-3/8"
	13.5"	17-3/16"
	14"	17"
	14.5"	16-3/4"



Suggested Hole Pattern



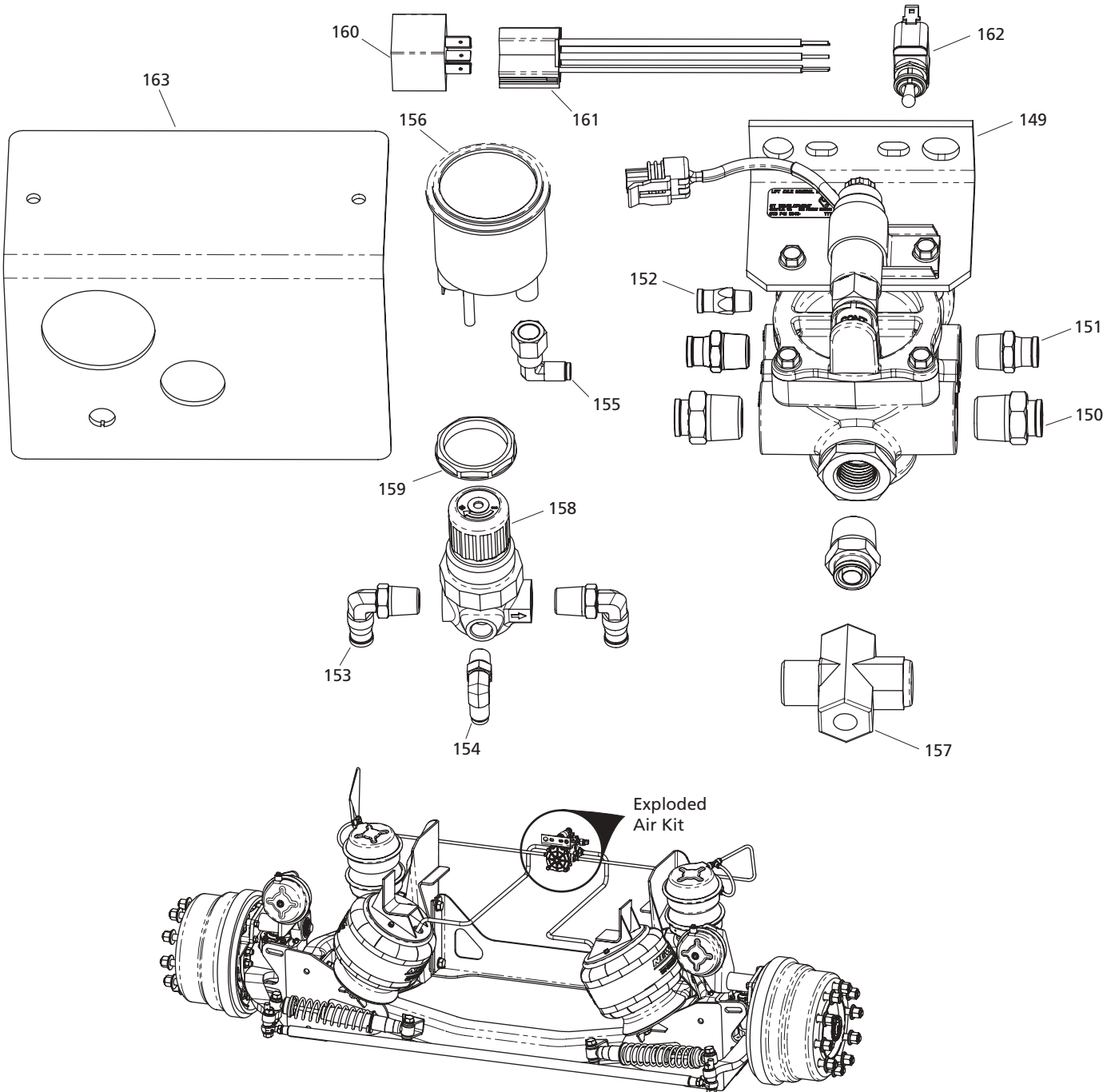


ITEM	DESCRIPTION	PART NUMBER	QTY.	WEIGHT LBS [KG]
1	Bracket, L Shape	90034945	2	1.49 [0.68]
2	Panel, Bulkhead	90034944	1	3.67 [1.66]
3	Air Tank S/A	90560169	1	24.60 [11.16]
5	Relay Valve S/A	90560166	1	2.18 [0.99]
6	Lift Action Control Module S/A	90560168	1	4.25 [1.93]
9	Washer, 7/16"	93600132	30	0.01 [0.005]
10	Nut, Lock 7/16-14	93400476	15	0.33 [0.15]
12	Nut, Lock 5/16-18	93400468	2	0.01 [0.005]
13	Washer, 5/16"	93600120	4	0.01 [0.005]
14	HHCS, 5/16"-18 x 1.25 GR5	93002469	2	0.01 [0.005]
16	Fitting, 3/8"x3/8" Female Bulkhead Union	93800348	4	0.22 [0.10]
18	Fitting, Elbow, 1/2" x 3/4"	90060046	2	0.37 [0.17]
24	Fitting, 3/8"x3/8" Push Connect	90060030	2	0.08 [0.03]
29	Hose, Air Brake - 16" Long	90038555	2	0.32 [0.14]
30	Hose, Air Brake - 31" Long	90038556	2	0.64 [0.29]
31	Tube, 1/2" Air - 14.50" LG - Black	90038557	1	N/A

ITEM	DESCRIPTION	PART NUMBER	QTY.	WEIGHT LBS [KG]
32	Tube, 1/2" Air - 15.50 LG - Black	90038558	1	N/A
33	Tube, 1/2" Air - 19.50" LG - Black	90038559	1	N/A
34	Tube, 1/2" Air - 46.00" LG - Black	90038560	1	N/A
35	Tube, 3/8" Air - 45.50" LG - Blue	90038561	1	N/A
36	Tube, 3/8" Air - 20.00" LG - Blue	90038562	1	N/A
37	Tube, 3/8" Air - 40.00" LG - Black	90038563	1	N/A
38	Tube, 3/8" Air - 10.00" LG - Black	90038564	1	N/A
39	Tee, 3/8" NPTF Male x 3/8" DOT PTC x 3/8" NPTF	90060020	2	0.44 [0.20]
40	HHCS, 7/16"-14 x 1.25, GR5	93002685	15	N/A
41	Clamp, Loop	93800351	2	0.09 [0.04]
42	Tube, Coil 500FT	90060003	2	N/A
43	Plug, 1/4" Push	93800353	2	0.03 [0.01]
44	Plug, 1/2" Push	93800352	1	0.10 [0.05]
45	Spacer, Tank, LH	90034946	1	2.74 [1.24]
46	Spacer, Tank, RH	90034948	1	2.74 [1.24]

LSZ

LSZ - Air Kit, In-Cab Mount

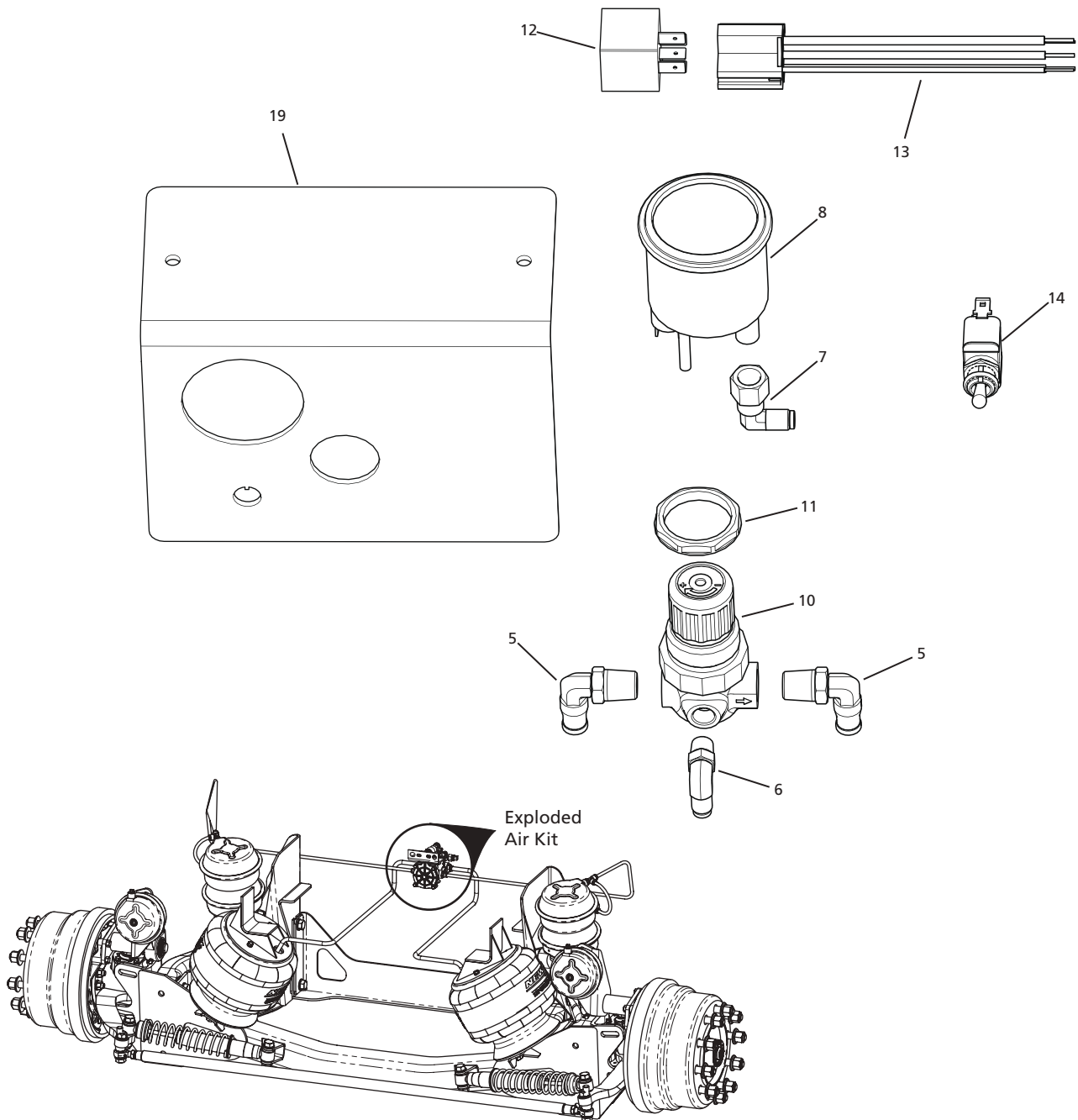


ITEM	DESCRIPTION	PART NUMBER	QTY.	WEIGHT LBS [KG]
149	Lift Axle Control Module, Normally Closed	90060004	1	3.35 [1.52]
150	Fitting, 1/2" x 1/2" Push Connect w/Cap	90060012	3	0.02 [0.01]
151	Fitting, 3/8" x 3/8" Push Connect w/Cap	90060013	3	0.08 [0.03]
152	Fitting, 1/4" x 1/8" Push Connect w/Cap	90060014	1	0.03 [0.01]
153	Fitting, 1/4" x 1/4" Push Connect w/Cap	90060015	2	0.08 [0.04]
154	Fitting, 5/32" x 1/8" Push Connect w/Cap	90060016	1	0.05 [0.02]
155	Fitting, 5/32" x 1/8" Push Connect w/Cap	90060017	1	0.06 [0.03]
156	Gauge, Air Pressure-Lit	90060010	1	1.85 [0.84]

ITEM	DESCRIPTION	PART NUMBER	QTY.	WEIGHT LBS [KG]
157	Pressure Protection Valve	90060005	1	0.58 [0.26]
158	Regulator Valve, Air Pressure	90060006	1	1.11 [0.50]
159	Nut, Regulator Panel	90060007	1	0.01 [0.02]
160	Relay	90060008	1	0.09 [0.04]
161	Relay Socket	90060009	1	0.24 [0.11]
162	Toggle Switch	90060018	1	0.20 [0.09]
163	Panel, Control	90060019	1	1.66 [0.75]

NOTE: For installation Instructions, refer to Section 2, 6, and 7 on pages 8, 11, and 12 of Installation and Operation Manual XL-PS20020BM-en-US.

LSZ - In-Cab Mount (Plumbed) Exploded View

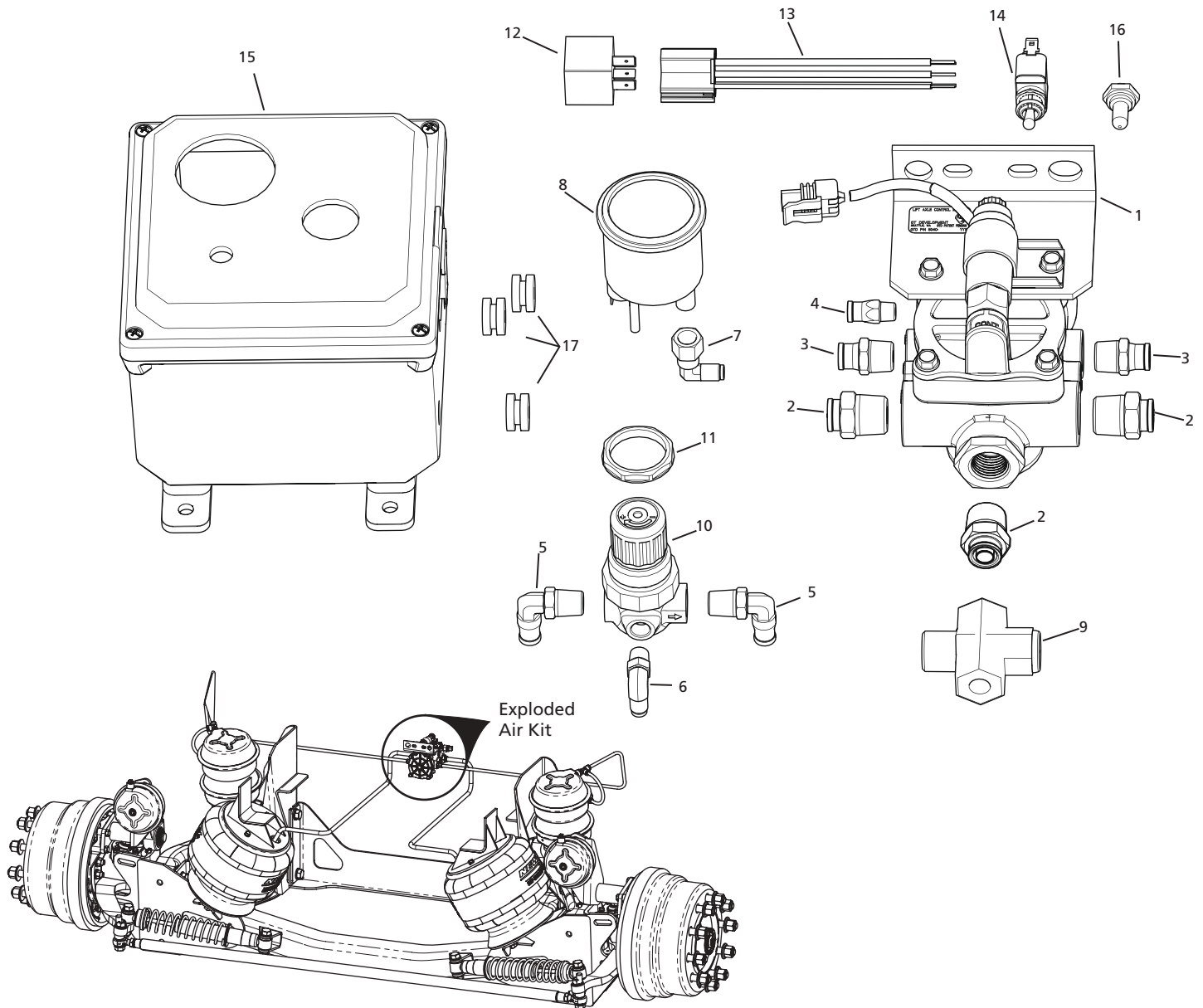


LSZ AIR KIT, IN-CAB MOUNT (PLUMBED): 90560171			
ITEM	DESCRIPTION	PART NUMBER	QTY.
5	Fitting, 1/4" x 1/4" Push Connect with Cap	90060015	2
6	Fitting, 5/32" x 1/8" Push Connect with Cap	90060016	1
7	Fitting, 5/32" x 1/8" Push Connect with Cap	90060017	1
8	Gauge, Air Pressure-Lit	90060010	1
10	Regulator Valve, Air Pressure	90060006	1

LSZ AIR KIT, IN-CAB MOUNT (PLUMBED): 90560171			
ITEM	DESCRIPTION	PART NUMBER	QTY.
11	Nut, Regulator Panel	90060007	1
12	Relay	90060008	1
13	Relay Socket	90060009	1
14	Toggle Switch	90060018	1
19	Panel, Control	90060019	1

NOTE: For installation Instructions, refer to Section 2, 6, and 7 on pages 8, 11, and 12 of Installation and Operation Manual XL-PS20020BM-en-US.

LSZ - Exterior Mount Exploded View

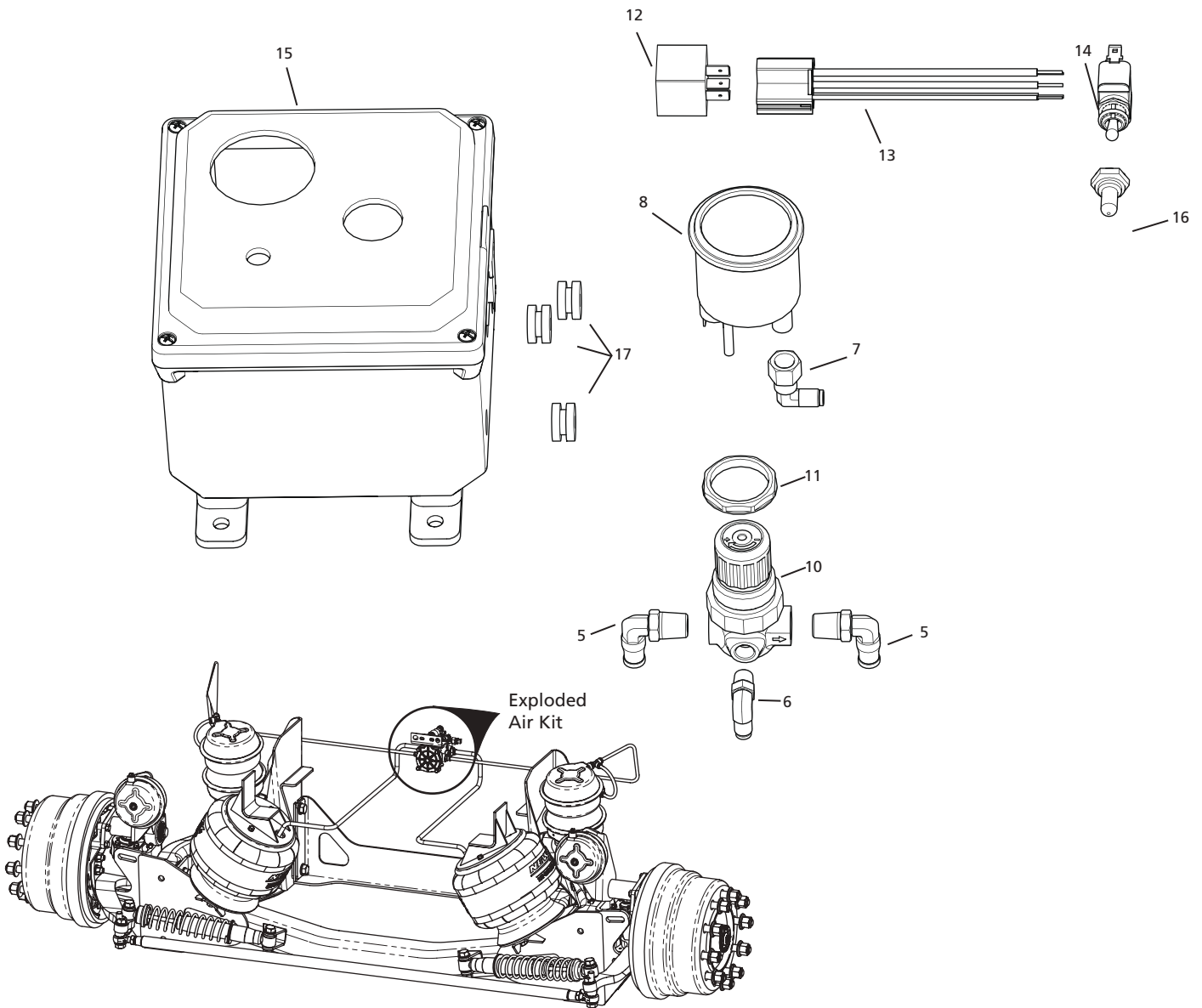


LSZ AIR KIT, EXTERIOR MOUNT: 90560163			
ITEM	DESCRIPTION	PART NUMBER	QTY.
1	Lift Axle Control Module, Normally Closed	90060004	1
2	Fitting, 1/2" x 1/2" Push Connect with Cap	90060012	3
3	Fitting, 3/8" x 3/8" Push Connect with Cap	90060013	2
4	Fitting, 1/4" x 1/8" Push Connect with Cap	90060014	1
5	Fitting, 1/4" x 1/4" Push Connect with Cap	90060015	2
6	Fitting, 5/32" x 1/8" Push Connect with Cap	90060016	1
7	Fitting, 5/32" x 1/8" Push Connect with Cap	90060017	1
8	Gauge, Air Pressure-Lit	90060010	1
9	Pressure Protection Valve	90060005	1

LSZ AIR KIT, EXTERIOR MOUNT: 90560163			
ITEM	DESCRIPTION	PART NUMBER	QTY.
10	Regulator Valve, Air Pressure	90060006	1
11	Nut, Regulator Panel	90060007	1
12	Relay	90060008	1
13	Relay Socket	90060009	1
14	Toggle Switch	90060018	1
15	Box, Poly	90045717	1
16	Toggle Boot	90045729	1
17	Grommet, 1/2"	90045730	3

NOTE: For installation Instructions, refer to Section 2, 6, and 7 on pages 8, 11, and 12 of Installation and Operation Manual XL-PS20020BM-en-US.

LSZ - In-Cab Mount (Plumbed) Exploded View



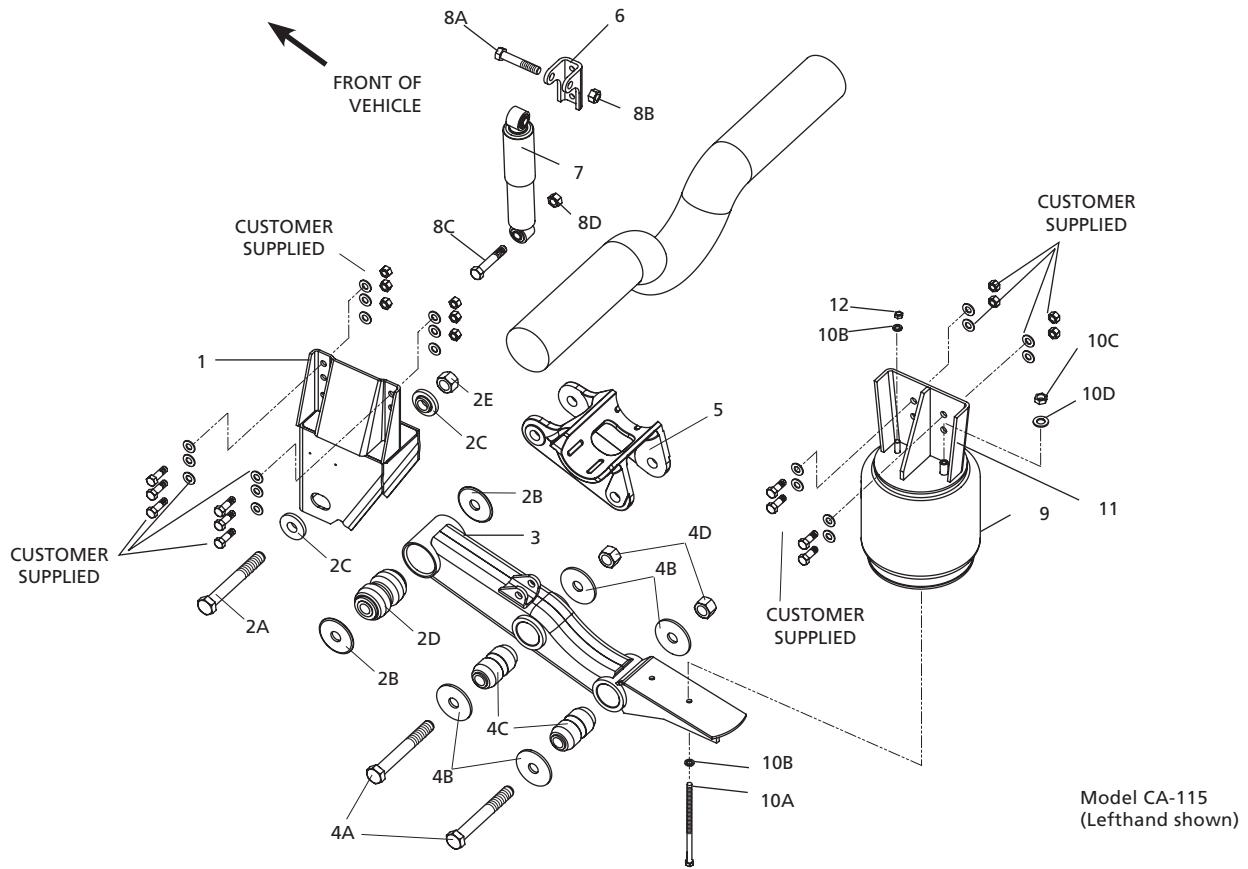
LSZ

LSZ AIR KIT, EXTERIOR MOUNT (PLUMBED): 90560180			
ITEM	DESCRIPTION	PART NUMBER	QTY.
5	Fitting, 1/4" x 1/4" Push Connect with Cap	90060015	2
6	Fitting, 5/32" x 1/8" Push Connect with Cap	90060016	1
7	Fitting, 5/32" x 1/8" Push Connect with Cap	90060017	1
8	Gauge, Air Pressure-Lit	90060010	1
9	Regulator Valve, Air Pressure	90060006	1
10	Nut, Regulator Panel	90060007	1

LSZ AIR KIT, EXTERIOR MOUNT (PLUMBED): 90560180			
ITEM	DESCRIPTION	PART NUMBER	QTY.
12	Relay	90060008	1
13	Relay Socket	90060009	1
14	Toggle Switch	90060018	1
15	Box, Poly	90045717	1
16	Toggle Boot	90045729	1
17	Grommet, 1/2"	90045730	3

NOTE: For installation Instructions, refer to Section 2, 6, and 7 on pages 8, 11, and 12 of Installation and Operation Manual XL-PS20020BM-en-US.

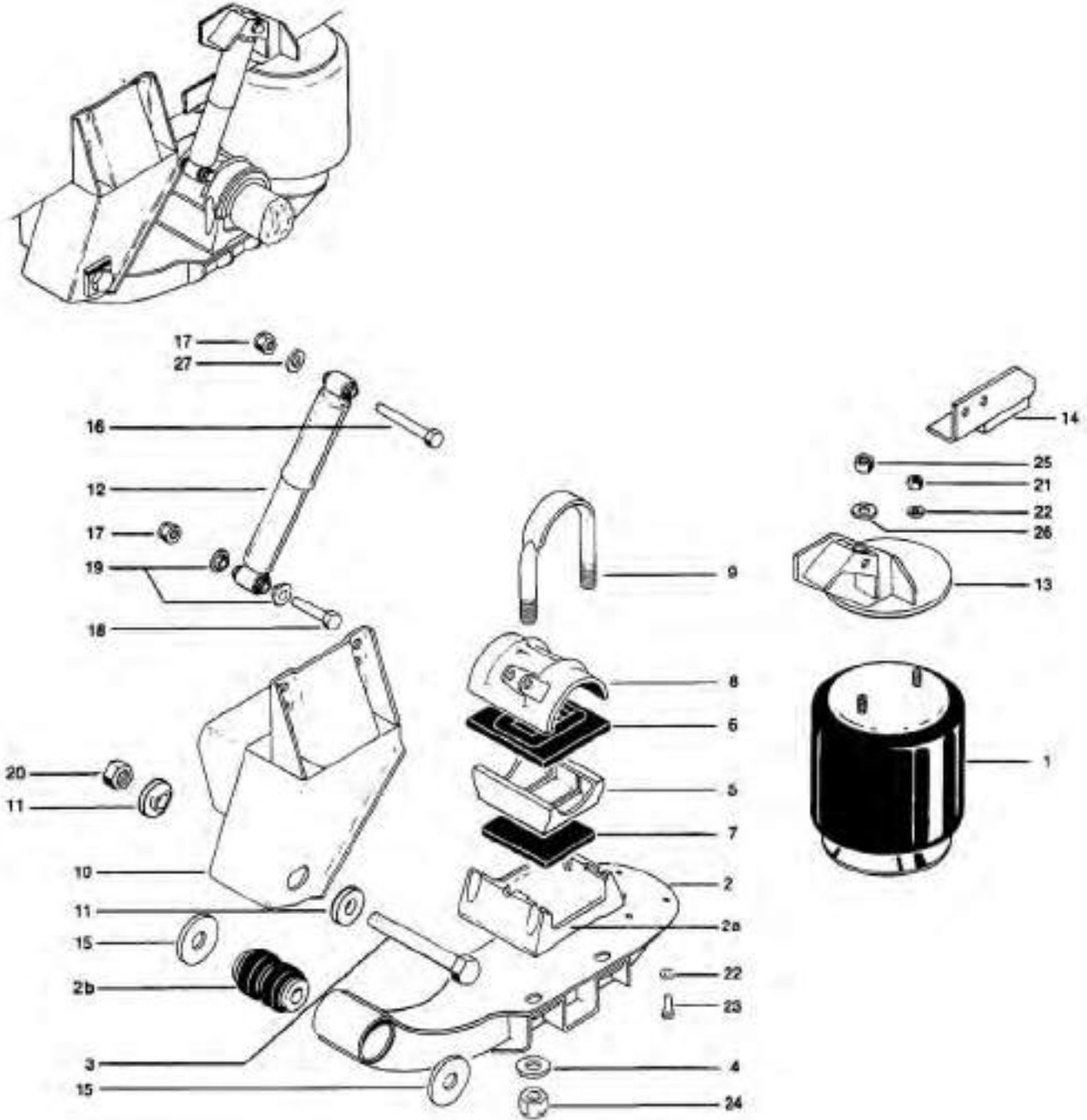
CA Series Exploded View



ITEM	DESCRIPTION	PART NUMBER	QTY	WEIGHT LBS. [KG]
1	Frame Bracket - LH	*	1	31.80 [14.42]
	Frame Bracket - RH	*	1	31.80 [14.42]
2A	Hex Bolt 1.125"-7 x 8.5" GR 8	93201051	2	2.80 [1.27]
2B	Flat Narrow Washer 1.12"	93600174	4	0.11 [0.05]
2C	Alignment Bushing	90008198	2	0.61 [0.27]
2D	Rubber Bushing - Front Pivot	90008253	2	3.15 [1.43]
2E	Hex Lock Nut 1.125"-7 GR C	93400506	2	0.38 [0.17]
3	Equalizing Beam Assembly with Axle Adapter (incl. mounting h/w, LH)	90517091	1	100.30 [45.50]
	Equalizing Beam Assembly with Axle Adapter (incl. mounting h/w, RH)	90517092	1	100.30 [45.50]
4A	Hex Bolt 1.125"-7 x 8.5" GR 8	93201051	4	2.80 [1.27]
4B	Spacer Washer 1.141"	90036177	8	0.80 [0.36]
4C	Rubber Bushing - Axle	90008255	4	1.94 [0.88]
4D	Hex Lock Nut 1.125"-7 GR C	93400506	4	0.38 [0.17]
5	Axle Adapter - LH	90001284	1	N/A
	Axle Adapter - RH	90001285	1	N/A
6	Shock Bracket, Upper	90018542	2	2.40 [1.09]
7	Shock Absorber	90045526	2	15.00 [6.80]
8A	Hex Bolt 0.75"-10 x 4.25" GR 8	93003617	2	0.68 [0.31]
8B	Hex Nut 3/4"-10 GR B	93400150	2	N/A
8C	Hex Bolt 3/4"-10 x 4.25" GR 8	93003617	2	0.68 [0.31]
8D	Hex Nut - Lower Shock 3/4"-10 GR C	93400150	2	N/A
9	Air Spring	90557346	2	10.80 [4.90]
10A	Hex Bolt M12-1.75 x 120 GR 10.9	*	2	N/A
10B	Lock Washer 1/2"	93600072	2	0.01 [0.005]
10C	Hex Nut 3/4"-16 GR A	93400417	2	0.04 [0.02]
10D	Washer .78"	93600156	2	0.04 [0.02]
11	Upper Mounting Plate, Air Spring	90531347	2	17.00 [7.71]
12	Hex Nut 1/2"-13 GR B	93400136	2	0.04 [0.02]
	Fastener Kit	33005298	1	N/A

* Refer to the OE/vehicle manufacturer's build specifications to properly identify the Holland Neway part numbers for the components noted with " * ".

ART-500-B, -1, ART-551-B-1, -2, -3 Exploded View



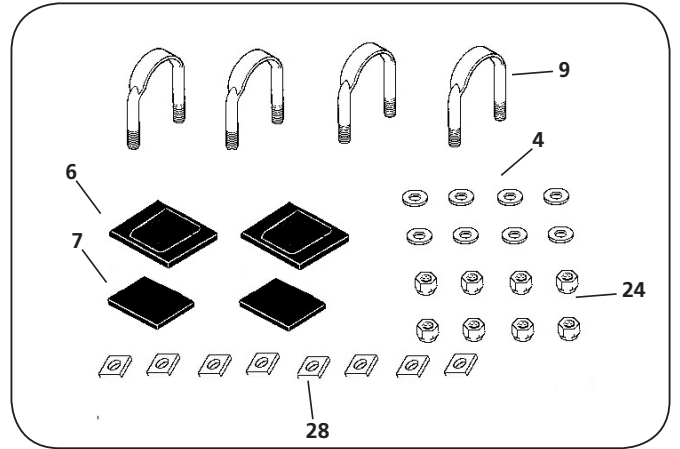
DISCONTINUED MODEL SERVICE PARTS ONLY

Please contact Customer Service for part availability
800.876.3929

ITEM	DESCRIPTION	PART NUMBER	QTY REQD	MODEL	WEIGHT LBS. [KG]
1	Air Spring Assembly	90557027	2	ART-500-B, -1	15.00 [6.80]
	Air Spring Assembly	90557009	2	ART-551-B-1, -2, -3	21.00 [9.52]
2	Equalizing Beam Assembly LH (Includes Item #2a, 2b)	90516343	1	ART-500-B, 551-B-3	89.00 [40.37]
	Equalizing Beam Assembly LH (Includes Item #2a, 2b)	90516345	1	ART-500-B-1, 551-B-2	96.00 [43.54]
	Equalizing Beam Assembly LH (Includes Item #2a, 2b)	90516349	1	ART-551-B-1	120.00 [54.43]
	Equalizing Beam Assembly RH (Includes Item #2a, 2b)	90516344	1	ART-500-B, 551-B-3	89.00 [40.37]
	Equalizing Beam Assembly RH (Includes Item #2a, 2b)	90516346	1	ART-500-B-1, 551-B-2	100.00 [45.36]
	Equalizing Beam Assembly RH (Includes Item #2a, 2b)	90516350	1	ART-551-B-1	100.00 [45.36]
2a	Beam Seat	90001006	2	ART-500-B, 551-B-3	16.82 [7.63]
	Beam Seat	90501037	2	ART-500-B-1, 551-B-2	19.00 [8.62]
	Beam Seat	90001008	2	ART-551-B-1	27.60 [12.51]
2b	Rubber Bushing	90008139	2	All	4.68 [2.12]
3	Cap Screw 1 1/8 - 7 x 9 1/4"	93201055	2	All	2.92 [1.32]
4	Washer 1	93900027	8	All	0.04 [0.02]
5	Axle Adapter	90001082	2	All	9.00 [4.08]
6	Rubber Wrapper	90028047	2	All	1.29 [0.59]
7	Rubber Pad	90028083	2	All	1.90 [0.86]
8	Axle Cap Assembly LH-Without Axle Stops	90510061	1	All	8.00 [3.62]
	Axle Cap Assembly RH-Without Axle Stops	90510062	1	All	8.00 [3.62]
	Axle Cap Assembly LH-With Axle Stops	90510063	1	All	8.00 [3.62]
	Axle Cap Assembly RH-With Axle Stops	90510064	1	All	8.00 [3.62]
9	U-Bolt 1-8 x 9	90041878	4	ART-500-B, 551-B-3	1.88 [0.85]
	U-Bolt 1-8 x 10 1/2"	90042791	4	ART-500-B-1, 551-B-2	0.62 [0.28]
	U-Bolt 1-8 x 12 1/2"	90042792	4	ART-551-B-1	0.62 [0.28]
10	Frame Bracket LH Adjustable	90518457	1	ART-500-B, -1	40.00 [18.14]
	Frame Bracket RH Fixed	90518458	1	ART-500-B, -1	44.00 [19.96]
	Frame Bracket LH Adjustable	90518461	1	ART-551-B-1, -2, -3	45.00 [20.41]
	Frame Bracket RH Fixed	90518462	1	ART-551-B-1, -2, -3	44.00 [19.96]
11	Adjusting Bushing	90001045	2	All	1.22 [0.55]
12	Shock Absorber	90044162	2	ART-500-B, -1	4.85 [2.20]
	Shock Absorber	90044642	2	ART-551-B-1, -2, -3	4.67 [2.12]
13	Air Spring & Shock Bracket Assembly LH	90518319	1	ART-500-B, 551-B-1, -3	9.30 [4.21]
	Air Spring & Shock Bracket Assembly RH	90518320	1	ART-500-B, 551-B-1, -3	9.30 [4.21]
	Air Spring & Shock Bracket Assembly LH	90518321	1	ART-500-B-1, 551-B-2	9.60 [4.35]
	Air Spring & Shock Bracket Assembly RH	90518322	1	ART-500-B-1, 551-B-2	9.60 [4.35]
14	Axle Stop Assembly LH	90544241	1	ART-500-B	6.00 [2.72]
	Axle Stop Assembly RH	90544242	1	ART-500-B	6.00 [2.72]
	Axle Stop Assembly LH	90544243	1	ART-500-B-1, 551-B-1	5.00 [2.28]
	Axle Stop Assembly RH	90544244	1	ART-500-B-1, 551-B-1	5.00 [2.28]
	Axle Stop Assembly LH	90544245	1	ART-551-B-2	7.60 [3.45]
	Axle Stop Assembly RH	90544246	1	ART-551-B-2	7.60 [3.45]
	Axle Stop Assembly LH	90544247	1	ART-551-B-3	9.20 [4.17]
15	Axle Stop Assembly RH	90544248	1	ART-551-B-3	9.20 [4.17]
15	Spacer Washer	90036177	4	All	0.80 [0.36]
16	Hex Head Bolt 3/4 - 10 x 5 1/2" Gr5	93003645	2	All	0.77 [0.35]
17	Lock Nut 3/4 - 10 GrB	93400492	4	All	0.13 [0.06]
18	Hex Head Bolt 3/4 - 10 x 3 1/2" Gr5	93003597	2	All	0.52 [0.23]
19	Replacement Shock Bushing	90508004	8	All	0.20 [0.09]
20	Lock Nut 1 1/8 - 7 GrC	93400506	2	All	0.38 [0.17]
21	Hex Nut 1/2 - 13	93400136	2	All	0.04 [0.02]
22	Lock Washer 1/2	93600072	8	All	0.01 [0.005]
23	Hex Head Bolt 1/2 - 13 x 1"	93002893	6	All	0.08 [0.04]
24	Lock Nut 1-8 GrC	93400502	8	All	0.34 [0.15]
25	Hex Nut 3/4 - 16	93400149	2	All	0.12 [0.05]
26	Lock Washer 3/4	93600077	2	All	0.04 [0.02]
27	Washer 3/4	93600005	2	All	0.04 [0.02]

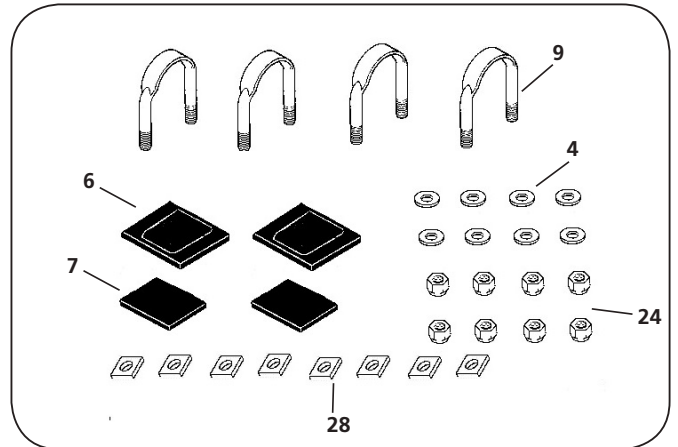
Axle Connection
SRK-64: 48100108

ITEM	DESCRIPTION	PART NUMBER	QTY	WEIGHT LBS. [KG]
4	Washer, Flat 1.00 x 1.75 x .16	93900027	8	0.04 [0.02]
6	Wrapper, Rubber	90028047	2	1.29 [0.59]
7	Pad, Rubber	90028083	2	1.90 [0.86]
9	U-Bolt 1-8UNC-2A 9 x 2.25" GR 8	90041878	4	1.88 [0.85]
24	Nut, Hex Lock 1.0-8 GR C	93400502	8	0.34 [0.15]
28	Washer Square For 1.00" [25.4] Bolt	93600028	4	0.30 [0.14]



Axle Connection
SRK-66: 48100110

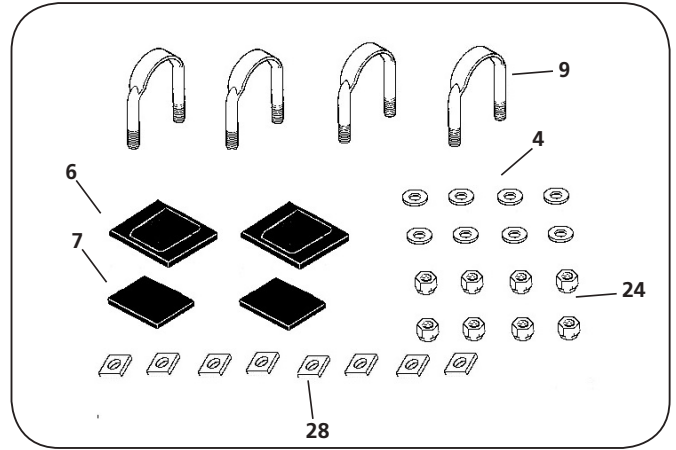
ITEM	DESCRIPTION	PART NUMBER	QTY	WEIGHT LBS. [KG]
4	Washer, Flat 1.00 x 1.75 x .16	93900027	8	0.04 [0.02]
6	Wrapper, Rubber	90028047	2	1.29 [0.59]
7	Pad, Rubber	90028083	2	1.90 [0.86]
9	U-Bolt 1-8 x 10.50" GR 8	90042791	4	1.88 [0.85]
24	Nut, Hex Lock 1.0-8 GR C	93400502	8	0.34 [0.15]
28	Washer Square For 1.00" [25.4] Bolt	93600028	4	0.30 [0.14]



DISCONTINUED MODEL
SERVICE PARTS ONLY
 Please contact Customer Service for part availability
 800.876.3929

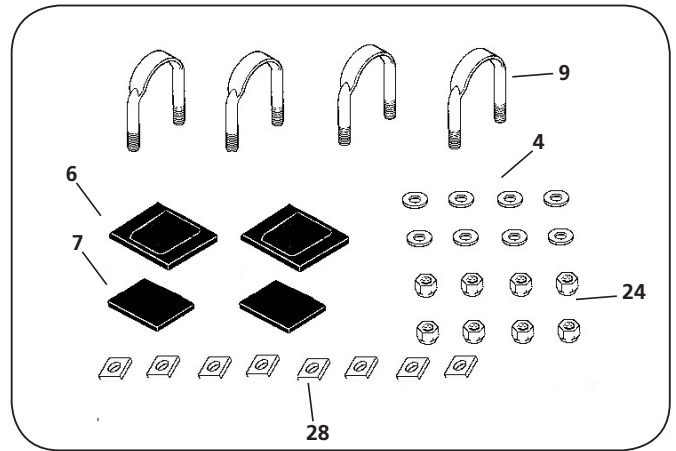
Axle Connection
SRK-68: 48100112

ITEM	DESCRIPTION	PART NUMBER	QTY	WEIGHT LBS. [KG]
4	Washer, Flat 1.00 x 1.75 x .16	93900027	8	0.04 [0.02]
6	Wrapper, Rubber	90028005	2	1.29 [0.59]
		90028073	2	1.36 [0.62]
7	Pad, Rubber	90028083	2	1.90 [0.86]
9	U-Bolt 1-8UNC-2A 9 x 2.25" GR 8	90041997	4	1.88 [0.85]
24	Nut, Hex Lock 1.0-8 GR C	93400502	8	0.34 [0.15]
28	Washer Square For 1.00" [25.4] Bolt	93600028	4	0.30 [0.14]



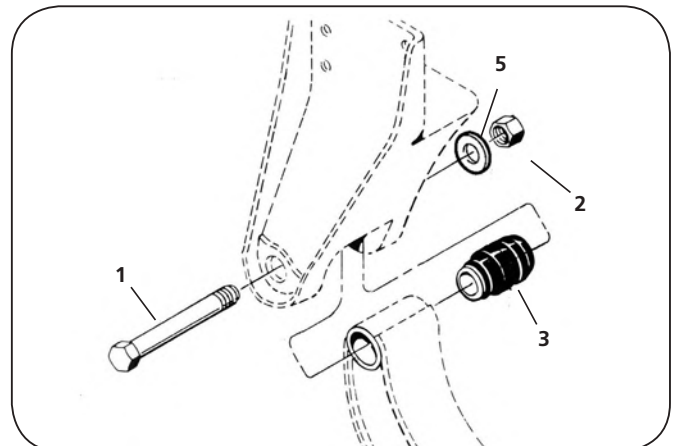
Axle Connection
SRK-128: 48100181

ITEM	DESCRIPTION	PART NUMBER	QTY	WEIGHT LBS. [KG]
4	Washer, Flat 1.00 x 1.75 x .16	93900027	8	0.04 [0.02]
6	Wrapper, Rubber	90028047	2	1.29 [0.59]
7	Pad, Rubber	90028083	2	1.90 [0.86]
9	U-BOLT 1-8 x 12.5" GR 8	90042792	4	0.62 [0.28]
24	Nut, Hex Lock 1.0-8 GR C	93400502	8	0.34 [0.15]
28	Washer Square For 1.00" [25.4] Bolt	93600028	4	0.30 [0.14]

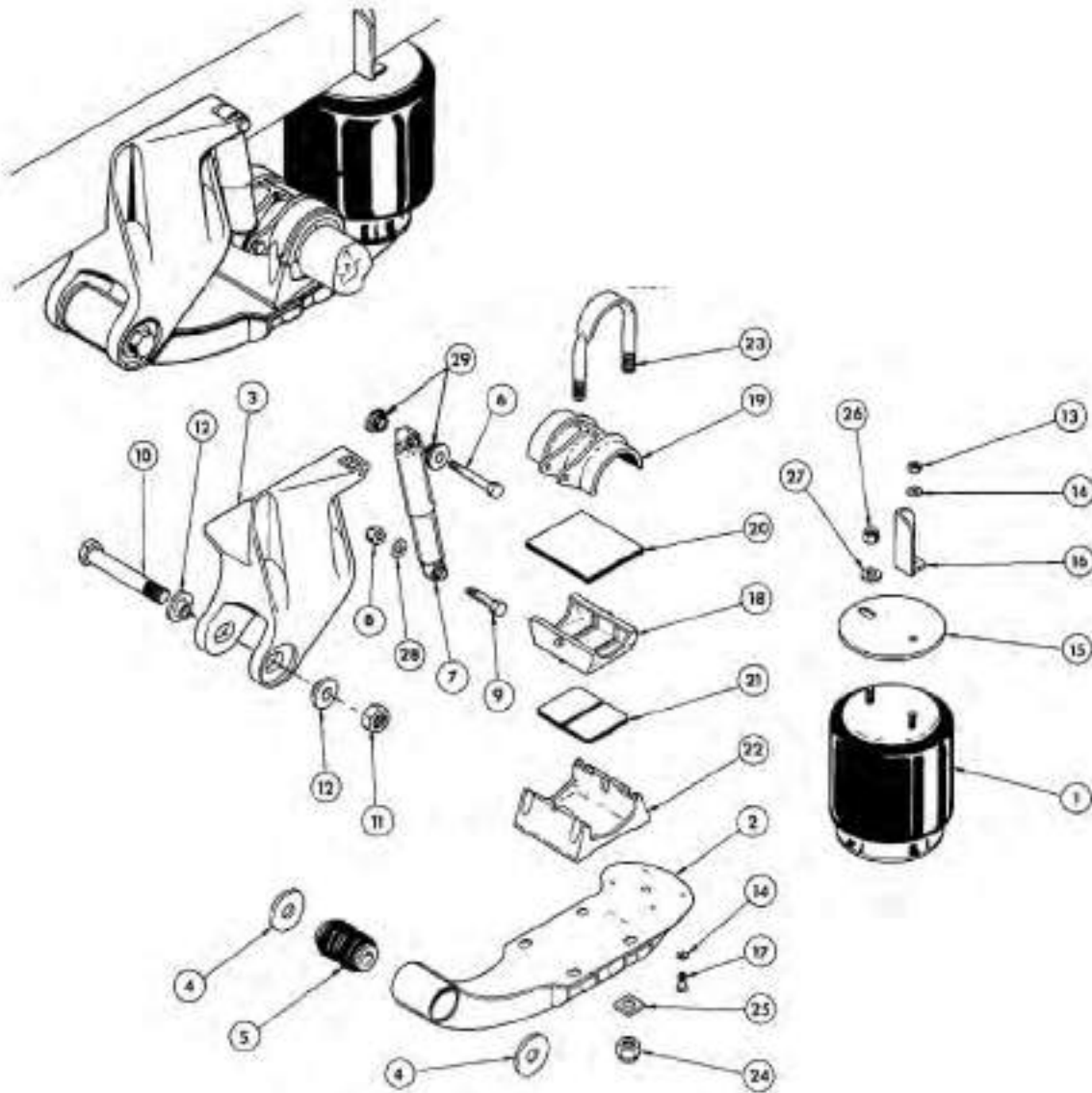


Pivot Connection
SRK-145: 48100202

ITEM	DESCRIPTION	PART NUMBER	QTY	WEIGHT LBS. [KG]
2B	Bushing	90008139	2	4.68 [2.12]
3	Bolt Hex 1.125 - 7 x 9.53" Gr 8	93201055	2	2.92 [1.32]
15	Washer Spacer	90036177	2	0.80 [0.36]
20	Nut,Hex,Lock 1.125 - 7 Gr C	93400506	2	0.38 [0.17]



ART-500-US-A Exploded View



DISCONTINUED MODEL SERVICE PARTS ONLY

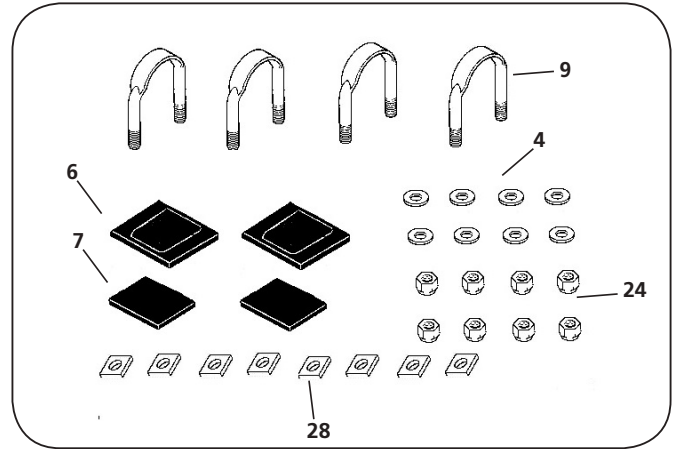
Please contact Customer Service for part availability
800.876.3929

ITEM	DESCRIPTION	PART NUMBER	QTY REQD	WEIGHT LBS. [KG]
1	Air Spring Assembly	90557027	2	15.00 [6.80]
2	Equalizing Beam Assembly LH (Includes Item #5,22)	90516343	1	89.00 [40.37]
	Equalizing Beam Assembly RH (Includes Item #5,22)	90516344	1	89.00 [40.37]
3*	Frame Bracket	N/A	2	N/A
4	Spacer Washer	90036177	4	0.80 [0.36]
5	Rubber Bushing	90008139	2	4.68 [2.12]
6	Hex Head Bolt 3/4 - 10 x 5.50" Gr5	93003645	2	0.77 [0.35]
7	Shock Absorber	90044162	2	4.85 [2.20]
8	Lock Nut 0.75 - 10 GrB	93400492	4	0.13 [0.06]
9	Hex Head Bolt 0.75 - 10 x 3.50" Gr5	93003597	2	0.52 [0.23]
10	Hex Head Bolt 1.25 - 7 x 9.50" Gr5	93201055	2	4.00 [1.81]
11	Lock Nut 1.25 - 7 GrC	93400506	2	0.50 [0.23]
12	Alignment Block	90008147	4	0.98 [0.44]
13	Hex Nut 0.50- 13 GrB	93400136	2	0.04 [0.02]
14	Lock Washer 0.50	93600072	10	0.01 [0.005]
15	Air Spring Mounting Plate	90031027	2	5.30 [2.40]
16	Air Spring Mounting Bracket	90031051	2	1.29 [0.59]
17	Hex Head Bolt 0.50 - 13 x 1.00" Gr2	93002893	8	0.08 [0.04]
18	Axle Adapter	90001082	2	9.00 [4.08]
19	Axle Cap Assembly LH - Without Axle Stops	90510100	1	8.00 [3.63]
	Axle Cap Assembly RH - Without Axle Stops	90510101	1	8.00 [3.63]
	Axle Cap Assembly LH - With Axle Stops	90510102	1	10.00 [4.54]
	Axle Cap Assembly RH - With Axle Stops	90510103	1	10.00 [4.54]
20	Rubber Wrapper	90028047	2	1.29 [0.59]
21	Rubber Pad	90028083	2	1.90 [0.86]
22	Beam Seat	90001006	2	16.82 [7.63]
23	U-Bolt 1 - 8 x 9.00" Gr8	90041878	4	1.88 [0.85]
24	Lock Nut 1-8 .00" GrC	93400502	8	0.34 [0.15]
25	Square Washer 1	93600028	8	0.30 [0.14]
26	Hex Nut 0.75 - 16 GrB	93400149	2	0.12 [0.05]
27	Lock Washer 0.75	93600077	2	0.04 [0.02]
28	Washer 0.75	93600005	2	0.04 [0.02]
29	Replacement Shock Bushing	90508004	8	0.20 [0.09]

*Contact Customer Service for additional assistance

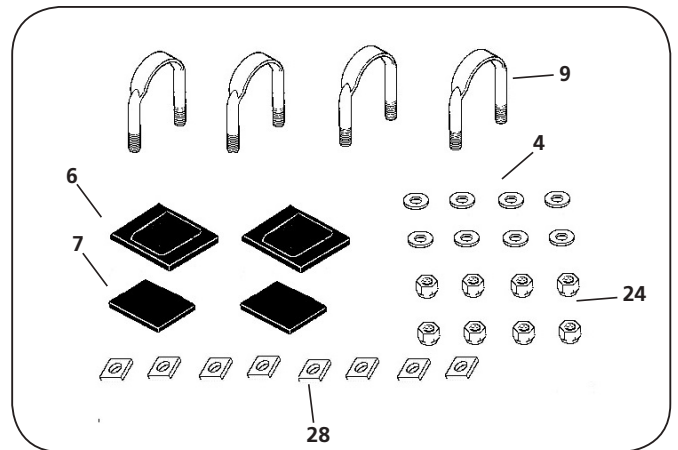
Axle Connection SRK-64: 48100108

ITEM	DESCRIPTION	PART NUMBER	QTY	WEIGHT LBS. [KG]
4	Washer, Flat 1.00 x 1.75 x .16	93900027	8	0.04 [0.02]
6	Wrapper, Rubber	90028047	2	1.29 [0.59]
7	Pad, Rubber	90028083	2	1.90 [0.86]
9	U-Bolt 1-8UNC-2A 9 x 2.25" GR 8	90041878	4	1.88 [0.85]
24	Nut, Hex Lock 1.0-8 GR C	93400502	8	0.34 [0.15]
28	Washer Square For 1.00" [25.4] Bolt	93600028	4	0.30 [0.14]



Axle Connection SRK-68: 48100112

ITEM	DESCRIPTION	PART NUMBER	QTY	WEIGHT LBS. [KG]
4	Washer, Flat 1.00 x 1.75 x .16	93900027	8	0.04 [0.02]
6	Wrapper, Rubber	90028005	2	1.29 [0.59]
7	Pad, Rubber	90028073	2	1.36 [0.62]
9	U-Bolt 1-8UNC-2A 9 x 2.25" GR 8	90041997	4	1.88 [0.85]
24	Nut, Hex Lock 1.0-8 GR C	93400502	8	0.34 [0.15]
28	Washer Square For 1.00" [25.4] Bolt	93600028	4	0.30 [0.14]

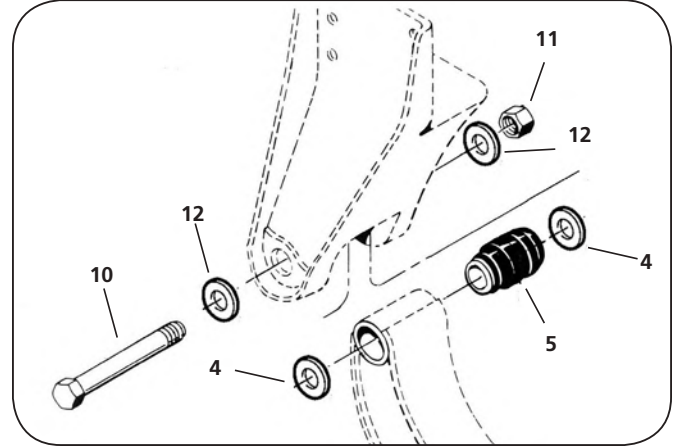


DISCONTINUED MODEL SERVICE PARTS ONLY

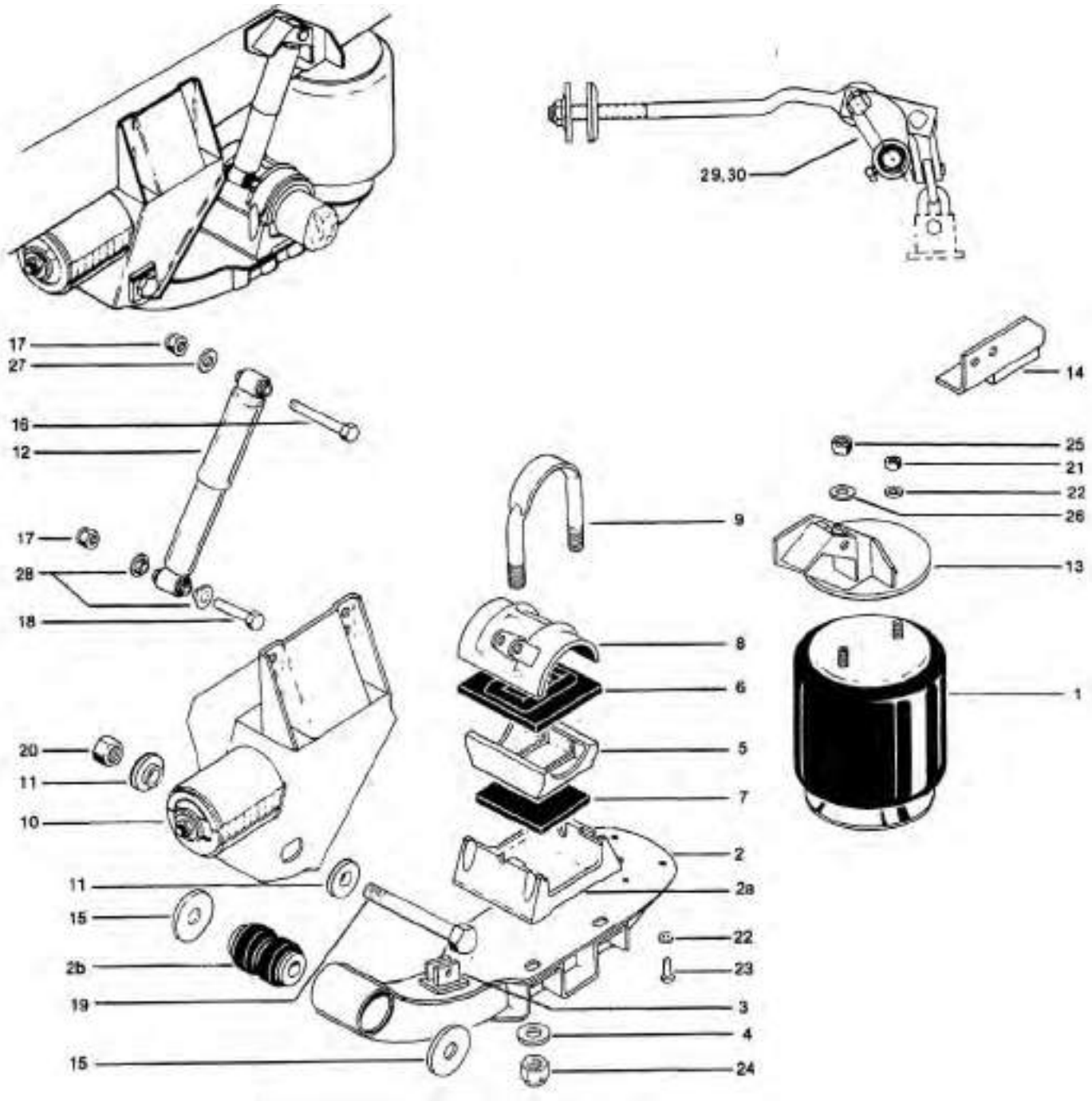
Please contact Customer Service for part availability
800.876.3929

Pivot Connection
SRK-12: 48100023

ITEM	DESCRIPTION	PART NUMBER	QTY	WEIGHT LBS. [KG]
4	Washer, Flat 1.25"	90036177	4	2.92 [1.32]
5	Bushing	90008139	2	4.68 [2.12]
10	Bolt, Hex 1.125 - 7 x 9.53" Gr 8	93201055	2	2.92 [1.32]
11	Nut, Hex 1.125 - 7 Gr C	93400506	2	0.38 [0.17]
12	Alignment Block	90008147	4	1.50 [0.68]



ART-505-B, -1, ART-555-B-1, -2, -3 Exploded View



**DISCONTINUED MODEL
SERVICE PARTS ONLY**

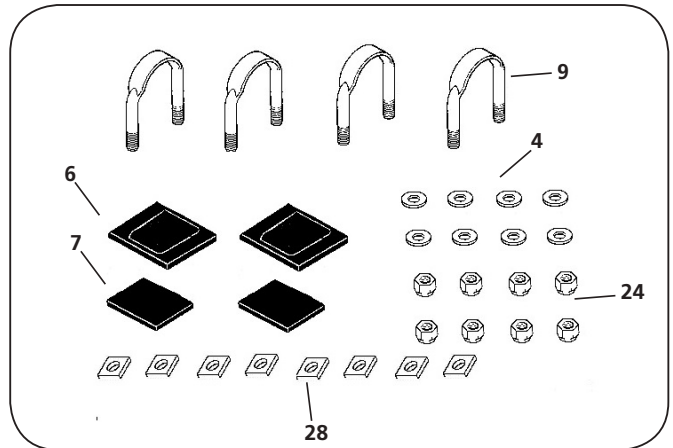
Please contact Customer Service for part availability
800.876.3929

ITEM	DESCRIPTION	PART NUMBER	QTY REQD	MODEL	WEIGHT LBS. [KG]
1	Air Spring Assembly	90557027	2	ART-505-B, -1	15.00 [6.80]
	Air Spring Assembly	90557009	2	ART-555-B-1, -2, -3	21.00 [9.52]
2	Equalizing Beam Assembly LH (includes Item #2a, 2b, 3)	90516335	1	ART-505-B, 555-B-3	93.00 [42.18]
	Equalizing Beam Assembly RH (includes Item #2a, 2b, 3)	90516336	1	ART-505-B, 555-B-3	100.00 [45.36]
	Equalizing Beam Assembly LH (includes Item #2a, 2b, 3)	90516337	1	ART-505-B-1, 555-B-2	97.00 [44.30]
	Equalizing Beam Assembly RH (includes Item #2a, 2b, 3)	90516338	1	ART-505-B-1, 555-B-2	97.00 [44.30]
	Equalizing Beam Assembly LH (includes Item #2a, 2b, 3)	90516341	1	ART-555-B-1	110.00 [49.90]
	Equalizing Beam Assembly RH (includes Item #2a, 2b, 3)	90516342	1	ART-555-B-1	110.00 [49.90]
2a	Beam Seat	90001006	2	ART-505-B, 555-B-3	16.82 [7.63]
	Beam Seat	90001037	2	ART-505-B-1, 555-B-2	N/A
	Beam Seat	90001008	2	ART-555-B-1	27.60 [12.51]
2b	Rubber Bushing	90008139	2	All	4.68 [2.12]
3	Beam Lift Bracket	90531040	2	All	2.00 [0.91]
4	Washer 1	93900027	8	All	0.04 [0.02]
5	Axle Adapter	90001082	2	All	9.00 [4.08]
6	Rubber Washer	90028047	2	All	1.29 [0.59]
7	Rubber Pad	90028083	2	All	1.90 [0.86]
8	Axle Cap Assembly LH - Without Axle Stops	90510061	1	All	8.00 [3.62]
	Axle Cap Assembly RH - Without Axle Stops	90510062	1	All	8.00 [3.62]
	Axle Cap Assembly LH - With Axle Stops	90510063	1	All	8.00 [3.62]
	Axle Cap Assembly RH - With Axle Stops	90510064	1	All	8.00 [3.62]
9	U-Bolt 1-8 x 9"	90041878	4	ART-505-B, 555-B-3	1.88 [0.85]
	U-Bolt 1-8 x 10 1/2"	90042791	4	ART-505-B-1, 555-B-2	0.62 [0.28]
	U-Bolt 1-8 x 12 1/2"	90042792	4	ART-555-B-1	0.62 [0.28]
10	Frame Bracket LH Adjustable	90519993	1	ART-555-B-1, -2, -3	92.00 [41.73]
	Frame Bracket RH Fixed	90519994	1	ART-555-B-1, -2, -3	92.00 [41.73]
	Frame Bracket LH Adjustable	90519995	1	ART-505-B, -1	74.00 [33.57]
	Frame Bracket RH Fixed	90519996	1	ART-505-B, -1	76.00 [34.47]
11	Adjusting Bushing	90008147	2	All	1.50 [0.68]
12	Shock Absorber	90044162	2	ART-505-B, -1, 555-B-1	4.85 [2.20]
	Shock Absorber	90044642	2	ART-555-B-2, -3	4.67 [2.12]
13	Air Spring & Shock Bracket Assembly LH	90518319	1	ART-505-B, 555-B-1, -3	9.30 [4.21]
	Air Spring & Shock Bracket Assembly RH	90518320	1	ART-505-B, 555-B-1, -3	9.30 [4.21]
	Air Spring & Shock Bracket Assembly LH	90518321	1	ART-505-B-1, 555-B-2	9.60 [4.35]
	Air Spring & Shock Bracket Assembly RH	90518322	1	ART-505-B-1, 555-B-2	9.60 [4.35]
14	Axle Stop Assembly LH	90544241	1	ART-505-B	6.00 [2.72]
	Axle Stop Assembly RH	90544242	1	ART-505-B	6.00 [2.72]
	Axle Stop Assembly LH	90544243	1	ART-505-B-1, 555-B-1	5.00 [2.28]
	Axle Stop Assembly RH	90544244	1	ART-505-B-1, 555-B-1	5.00 [2.28]
	Axle Stop Assembly LH	90544245	1	ART-555-B-2	7.60 [3.45]
	Axle Stop Assembly RH	90544246	1	ART-555-B-2	7.60 [3.45]
	Axle Stop Assembly LH	90544247	1	ART-555-B-3	9.20 [4.17]
15	Spacer Washer	90036177	4	All	0.80 [0.36]
16	Hex Head Bolt 3/4 - 10 x 5 1/2" Gr5	93003645	2	All	0.77 [0.35]
17	Lock Nut 3/4 - 10 GrB	93400492	4	All	0.13 [0.06]
18	Hex Head Bolt 3/4 - 10 x 3 1/2" Gr5	93003597	2	All	0.52 [0.23]
19	Hex Head Bolt 1 1/8 - 7 x 9 1/4" Gr8	93201055	2	All	2.92 [1.32]
20	Lock Nut 1 1/8 - 7 GrC	93400506	2	All	0.38 [0.17]
21	Hex Nut 1/2 - 13 GrB	93400136	2	All	0.04 [0.02]
22	Lock Washer 1/2	93600072	8	All	0.01 [0.005]
23	Hex Head Bolt 1/2 - 13 x 1" Gr2	93002893	6	All	0.08 [0.04]
24	Lock Nut 1 - 8 GrC	93400502	8	All	0.34 [0.15]
25	Hex Nut 3/4 - 16 GrB	93400149	2	All	0.12 [0.05]
26	Lock Washer 3/4	93600077	2	All	0.04 [0.02]
27	Washer 3/4	93600005	2	All	0.04 [0.02]
28	Replacement Shock Bushing	90508004	8	All	0.20 [0.09]

ART-505-B, -1, ART-555-B-1, -2, -3 Service Repair Kits

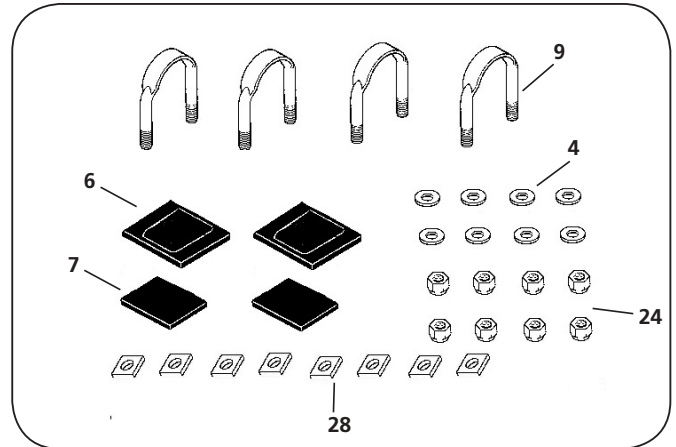
Axle Connection SRK-64: 48100108

ITEM	DESCRIPTION	PART NUMBER	QTY	WEIGHT LBS. [KG]
4	Washer, Flat 1.00 x 1.75 x .16	93900027	8	0.04 [0.02]
6	Wrapper, Rubber	90028047	2	1.29 [0.59]
7	Pad, Rubber	90028083	2	1.90 [0.86]
9	U-Bolt 1-8UNC-2A 9 x 2.25" GR 8	90041878	4	1.88 [0.85]
24	Nut, Hex Lock 1.0-8 GR C	93400502	8	0.34 [0.15]
28	Washer Square For 1.00" [25.4] Bolt	93600028	4	0.30 [0.14]



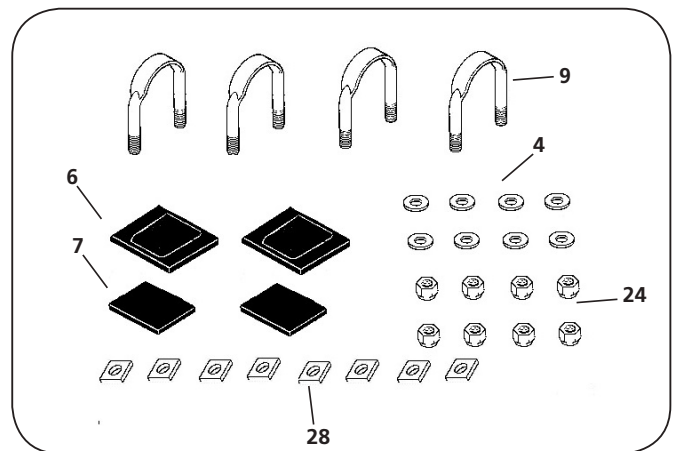
Axle Connection SRK-66: 48100110

ITEM	DESCRIPTION	PART NUMBER	QTY	WEIGHT LBS. [KG]
4	Washer, Flat 1.00 x 1.75 x .16	93900027	8	0.04 [0.02]
6	Wrapper, Rubber	90028047	2	1.29 [0.59]
7	Pad, Rubber	90028083	2	1.90 [0.86]
9	U-Bolt 1-8 x 10.50" GR 8	90042791	4	1.88 [0.85]
24	Nut, Hex Lock 1.0-8 GR C	93400502	8	0.34 [0.15]
28	Washer Square For 1.00" [25.4] Bolt	93600028	4	0.30 [0.14]



Axle Connection SRK-68: 48100112

ITEM	DESCRIPTION	PART NUMBER	QTY	WEIGHT LBS. [KG]
4	Washer, Flat 1.00 x 1.75 x .16	93900027	8	0.04 [0.02]
6	Wrapper, Rubber	90028005	2	1.29 [0.59]
		90028073	2	1.36 [0.62]
7	Pad, Rubber	90028083	2	1.90 [0.86]
9	U-Bolt 1-8UNC-2A 9 x 2.25" GR 8	90041997	4	1.88 [0.85]
24	Nut, Hex Lock 1.0-8 GR C	93400502	8	0.34 [0.15]
28	Washer Square For 1.00" [25.4] Bolt	93600028	4	0.30 [0.14]

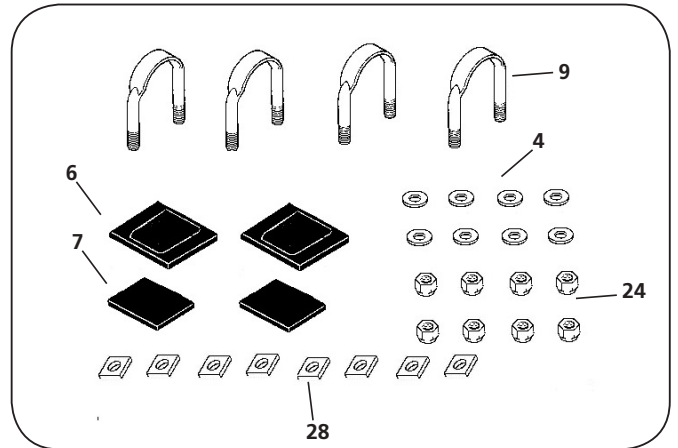


DISCONTINUED MODEL SERVICE PARTS ONLY

Please contact Customer Service for part availability
800.876.3929

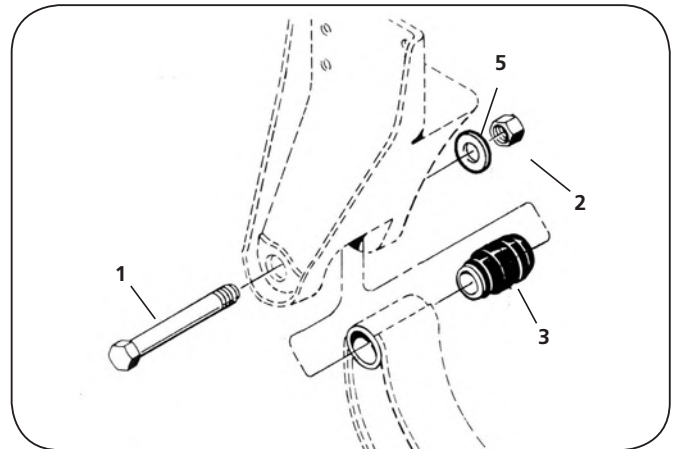
Axle Connection
SRK-128: 48100181

ITEM	DESCRIPTION	PART NUMBER	QTY	WEIGHT LBS. [KG]
4	Washer, Flat 1.00 x 1.75 x .16	93900027	8	0.04 [0.02]
6	Wrapper, Rubber	90028047	2	1.29 [0.59]
7	Pad, Rubber	90028083	2	1.90 [0.86]
9	U-BOLT 1-8 x 12.5" GR 8	90042792	4	0.62 [0.28]
24	Nut, Hex Lock 1.0-8 GR C	93400502	8	0.34 [0.15]
28	Washer Square For 1.00" [25.4] Bolt	93600028	4	0.30 [0.14]



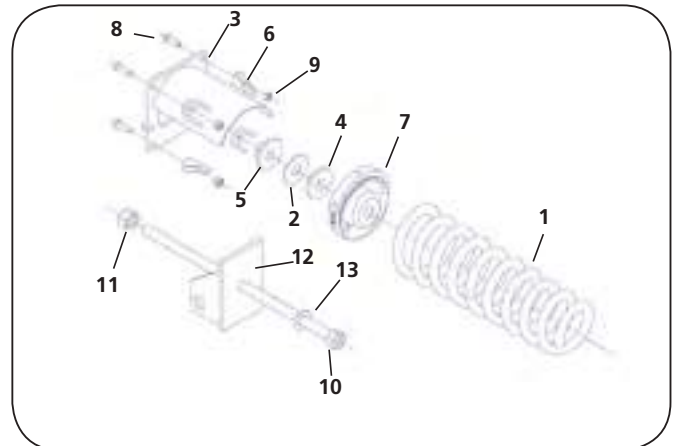
Pivot Connection
SRK-145: 48100202

ITEM	DESCRIPTION	PART NUMBER	QTY	WEIGHT LBS. [KG]
2B	Bushing	90008139	2	4.68 [2.12]
3	Bolt Hex 1.125 - 7 x 9.53" Gr 8	93201055	2	2.92 [1.32]
15	Washer Spacer	90036177	2	0.80 [0.36]
20	Nut, Hex, Lock 1.125 - 7 Gr C	93400506	2	0.38 [0.17]

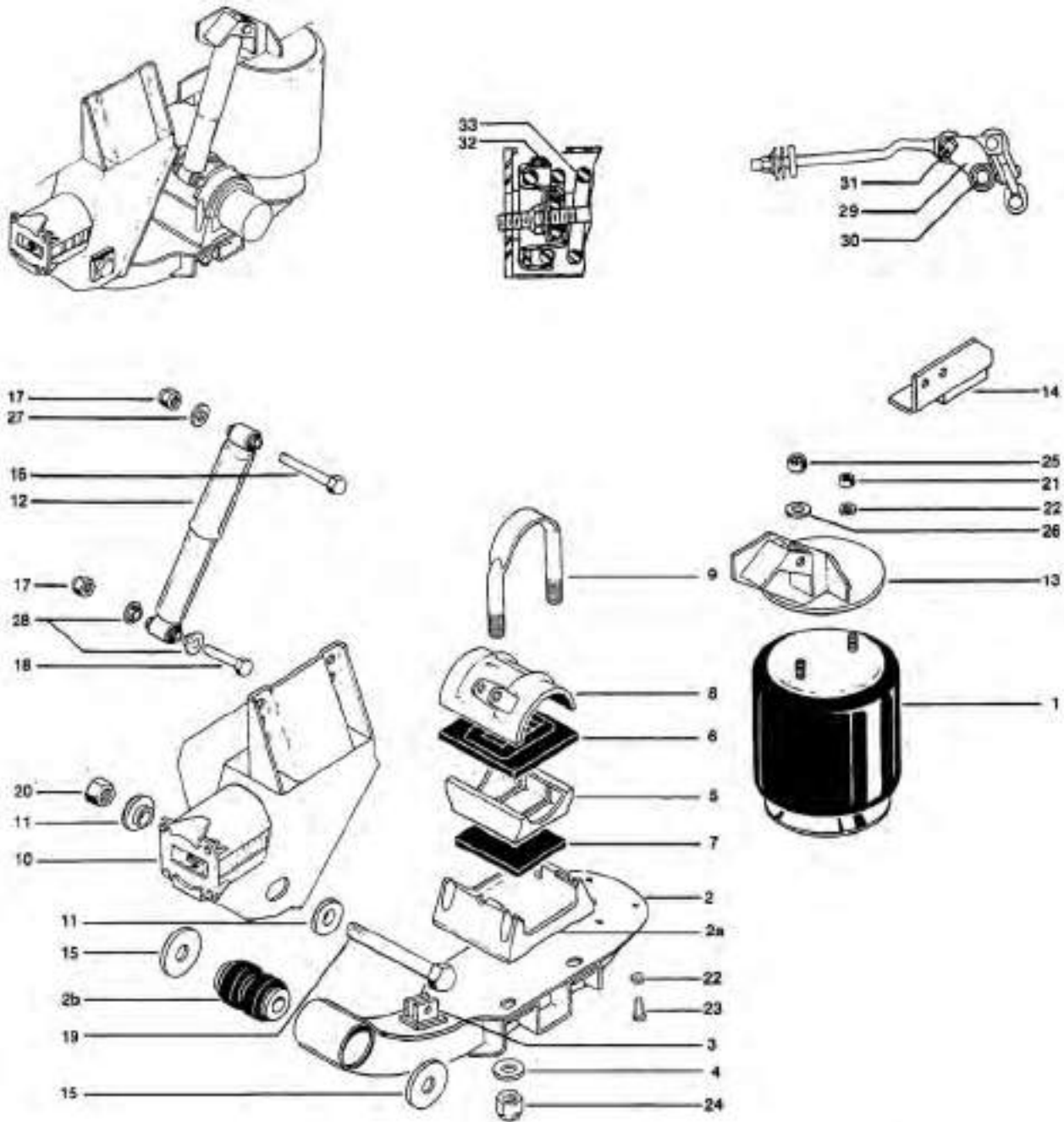


Coil Spring Replacement
SRK-159: 48100216

ITEM	DESCRIPTION	PART NUMBER	QTY	WEIGHT LBS. [KG]
1	Spring Coil	90057034	1	14.65 [6.65]
2	Washer, Flat 0.9	93600508	1	0.05 [0.02]
3	Tube Assembly	90544802	1	4.03 [1.83]
4	Bushing Yoke	90044776	2	0.80 [0.36]
5	Nut, Hex Lock 0.75 - 10 Gr 8	93900195	1	0.46 [0.21]
6	Bracket	90044777	4	0.13 [0.06]
7	Spring Cup Assembly	90546434	1	2.00 [0.91]
8	Bolt, Hex 0.38 - 16 x 1.25" Gr 5	93002577	4	0.05 [0.02]
9	Nut, Hex 0.38 - 16 Gr B	93400128	4	0.33 [0.15]
10	Rod Bolt	50506001	1	4.67 [2.12]
11	Nut, Hex Heavy 0.75 - 10 Gr A	93400604	1	0.18 [0.08]
12	Coil Spring Lift - Service Tool	50544002	1	4.13 [1.87]
13	Washer, Flat Handened 0.75	93600156	1	0.04 [0.02]



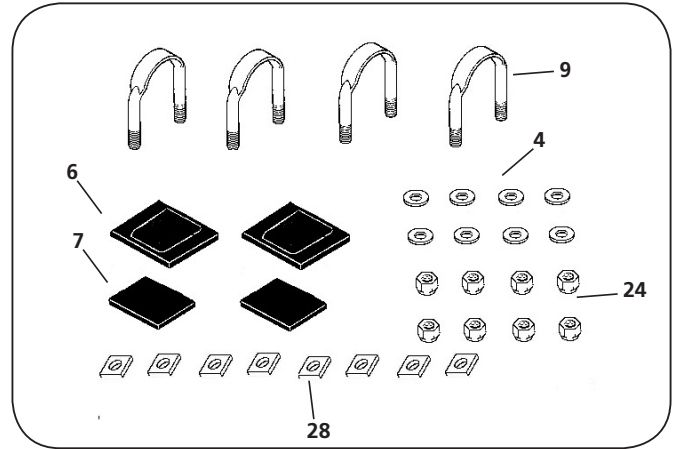
ART-505-C, -1, ART-555-C-1, -2, -3 Exploded View



ITEM	DESCRIPTION	PART NUMBER	QTY REQD	MODEL	WEIGHT LBS. [KG]
1	Air Spring Assembly	90557027	2	ART-505-C, -1	15.00 [6.80]
	Air Spring Assembly	90557009	2	ART-555-C-1, -2, -3	21.00 [9.52]
2	Equalizing Beam Assembly LH (includes Item #2a, 2b, 3)	90516335	1	ART-505-C, 555-C-3	93.00 [42.18]
	Equalizing Beam Assembly RH (includes Item #2a, 2b, 3)	90516336	1	ART-505-C, 555-C-3	100.00 [45.36]
	Equalizing Beam Assembly LH (includes Item #2a, 2b, 3)	90516337	1	ART-505-C-1, 555-C-2	97.00 [44.30]
	Equalizing Beam Assembly RH (includes Item #2a, 2b, 3)	90516338	1	ART-505-C-1, 555-C-2	97.00 [44.30]
	Equalizing Beam Assembly LH (includes Item #2a, 2b, 3)	90516341	1	ART-555-C-1	110.00 [49.90]
	Equalizing Beam Assembly LH (includes Item #2a, 2b, 3)	90516342	1	ART-555-C-1	110.00 [49.90]
2a	Beam Seat	90001006	2	ART-505-C, 555-C-3	16.82 [7.63]
	Beam Seat	90001037	2	ART-505-C-1, 555-C-2	N/A
	Beam Seat	90001008	2	ART-555-C-1	27.60 [12.51]
2b	Rubber Bushing	90008139	2	All	4.68 [2.12]
3	Beam Lift Bracket	90531040	2	All	2.00 [0.91]
4	Washer 1	93900027	8	All	0.04 [0.02]
5	Axle Adapter	90001082	2	All	9.00 [4.08]
6	Rubber Washer	90028047	2	All	1.29 [0.59]
7	Rubber Pad	90028083	2	All	1.90 [0.86]
8	Axle Cap Assembly LH - Without Axle Stops	90510061	1	All	8.00 [3.62]
	Axle Cap Assembly RH - Without Axle Stops	90510062	1	All	8.00 [3.62]
	Axle Cap Assembly LH - With Axle Stops	90510063	1	All	8.00 [3.62]
	Axle Cap Assembly RH - With Axle Stops	90510064	1	All	8.00 [3.62]
9	U-Bolt 1-8 x 9"	90041878	4	ART-505-C, 555-C-3	1.88 [0.85]
	U-Bolt 1-8 x 10 1/2"	90042791	4	ART-505-C-1, 555-C-2	0.62 [0.28]
	U-Bolt 1-8 x 12 1/2"	90042792	4	ART-555-C-1	0.62 [0.28]
10	Frame Bracket LH Adjustable	90519993	1	ART-555-C-1, -2, -3	92.00 [41.73]
	Frame Bracket RH Fixed	90519994	1	ART-555-C-1, -2, -3	92.00 [41.73]
	Frame Bracket LH Adjustable	90519995	1	ART-505-C, -1	74.00 [33.57]
	Frame Bracket RH Fixed	90519996	1	ART-505-C, -1	76.00 [34.47]
11	Adjusting Bushing	90008147	2	All	1.50 [0.68]
12	Shock Absorber	90044162	2	ART-505-C, -1, 555-C-1	4.85 [2.20]
	Shock Absorber	90044642	2	ART-555-C-2, -3	4.67 [2.12]
13	Air Spring & Shock Bracket Assembly LH	90518319	1	ART-505-C, 555-C-1, -3	9.30 [4.21]
	Air Spring & Shock Bracket Assembly RH	90518320	1	ART-505-C, 555-C-1, -3	9.30 [4.21]
	Air Spring & Shock Bracket Assembly LH	90518321	1	ART-505-C-1, 555-C-2	9.60 [4.35]
	Air Spring & Shock Bracket Assembly RH	90518322	1	ART-505-C-1, 555-C-2	9.60 [4.35]
14	Axle Stop Assembly LH	90544241	1	ART-505-C	6.00 [2.72]
	Axle Stop Assembly RH	90544242	1	ART-505-C	6.00 [2.72]
	Axle Stop Assembly LH	90544243	1	ART-505-C-1, 555-C-1	5.00 [2.28]
	Axle Stop Assembly RH	90544244	1	ART-505-C-1, 555-C-1	5.00 [2.28]
	Axle Stop Assembly LH	90544245	1	ART-555-C-2	7.60 [3.45]
	Axle Stop Assembly RH	90544246	1	ART-555-C-2	7.60 [3.45]
	Axle Stop Assembly LH	90544247	1	ART-555-C-3	9.20 [4.17]
15	Spacer Washer	90036177	4	All	0.80 [0.36]
16	Hex Head Bolt 3/4 - 10 x 5 1/2" Gr5	93003645	2	All	0.77 [0.35]
17	Lock Nut 3/4 - 10 GrB	93400492	4	All	0.13 [0.06]
18	Hex Head Bolt 3/4 - 10 x 3 1/2" Gr5	93003597	2	All	0.52 [0.23]
19	Hex Head Bolt 1 1/8 - 7 x 9 1/4" Gr8	93201055	2	All	2.92 [1.32]
20	Lock Nut 1 1/8 - 7 GrC	93400506	2	All	0.38 [0.17]
21	Hex Nut 1/2 - 13 GrB	93400136	2	All	0.04 [0.02]
22	Lock Washer 1/2	93600072	8	All	0.01 [0.005]
23	Hex Head Bolt 1/2 - 13 x 1" Gr2	93002893	6	All	0.08 [0.04]
24	Lock Nut 1 - 8 GrC	93400502	8	All	0.34 [0.15]
25	Hex Nut 3/4 - 16 GrB	93400149	2	All	0.12 [0.05]
26	Lock Washer 3/4	93600077	2	All	0.04 [0.02]
27	Washer 3/4	93600005	2	All	0.04 [0.02]
28	Replacement Shock Bushing	90508004	8	All	0.20 [0.09]
29	SRK-158 - Cam Assembly 1"	48100215	1	All	30.00 [13.60]
30	SRK-161 - Lower Cam Pin	48100218	1	All	6.24 [2.83]
31	SRK-162 - Upper Cam Pin	48100219	1	All	4.38 [1.99]
32	SRK-163 - Wear Band	48100220	1	All	N/A
33	SRK-173 - Coil Spring Replacement (Includes Install. Tool)	48100230	2	All	26.00 [11.79]
	SRK-173-1 - Coil Spring Replacement (w/o Install Tool)	48100250	2	All	18.00 [8.16]

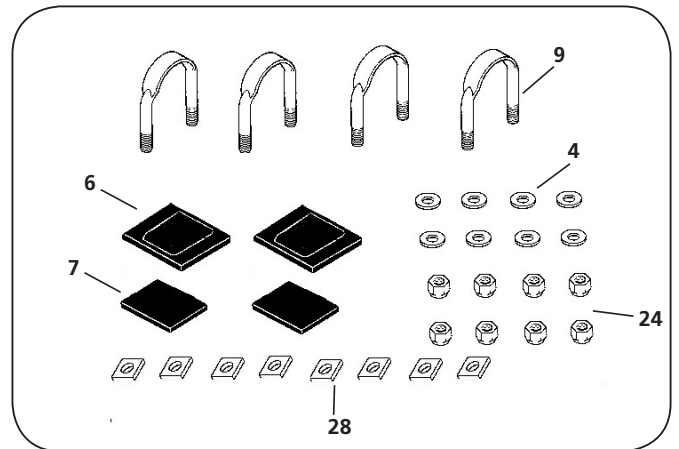
Axle Connection
SRK-64: 48100108

ITEM	DESCRIPTION	PART NUMBER	QTY	WEIGHT LBS. [KG]
4	Washer, Flat 1.00 x 1.75 x .16	93900027	8	0.04 [0.02]
6	Wrapper, Rubber	90028047	2	1.29 [0.59]
7	Pad, Rubber	90028083	2	1.90 [0.86]
9	U-Bolt 1-8UNC-2A 9 x 2.25" GR 8	90041878	4	1.88 [0.85]
24	Nut, Hex Lock 1.0-8 GR C	93400502	8	0.34 [0.15]
28	Washer Square For 1.00" [25.4] Bolt	93600028	4	0.30 [0.14]



Axle Connection
SRK-66: 48100110

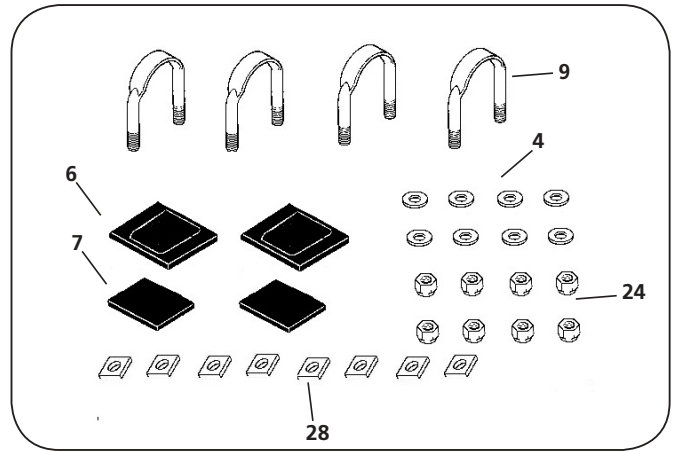
ITEM	DESCRIPTION	PART NUMBER	QTY	WEIGHT LBS. [KG]
4	Washer, Flat 1.00 x 1.75 x .16	93900027	8	0.04 [0.02]
6	Wrapper, Rubber	90028047	2	1.29 [0.59]
7	Pad, Rubber	90028083	2	1.90 [0.86]
9	U-Bolt 1-8 x 10.50" GR 8	90042791	4	1.88 [0.85]
24	Nut, Hex Lock 1.0-8 GR C	93400502	8	0.34 [0.15]
28	Washer Square For 1.00" [25.4] Bolt	93600028	4	0.30 [0.14]



DISCONTINUED MODEL
SERVICE PARTS ONLY
 Please contact Customer Service for part availability
 800.876.3929

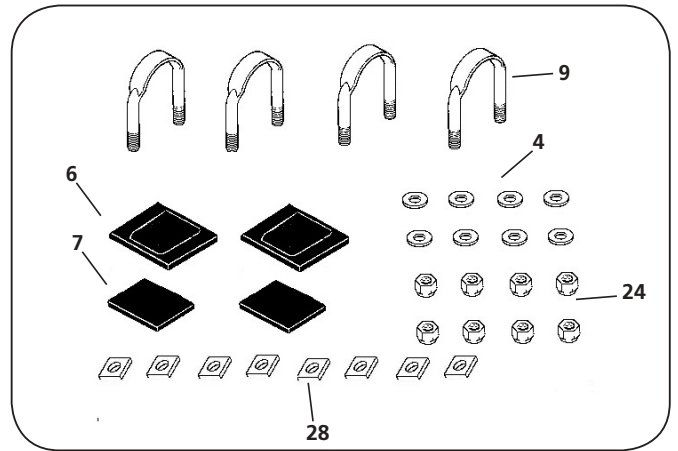
Axle Connection
SRK-68: 48100112

ITEM	DESCRIPTION	PART NUMBER	QTY	WEIGHT LBS. [KG]
4	Washer, Flat 1.00 x 1.75 x .16	93900027	8	0.04 [0.02]
6	Wrapper, Rubber	90028005	2	1.29 [0.59]
		90028073	2	1.36 [0.62]
7	Pad, Rubber	90028083	2	1.90 [0.86]
9	U-Bolt 1-8UNC-2A 9.50 x 2.25" GR 8	90041997	4	1.88 [0.85]
24	Nut, Hex Lock 1.0-8 GR C	93400502	8	0.34 [0.15]
28	Washer Square For 1.00" [25.4] Bolt	93600028	4	0.30 [0.14]



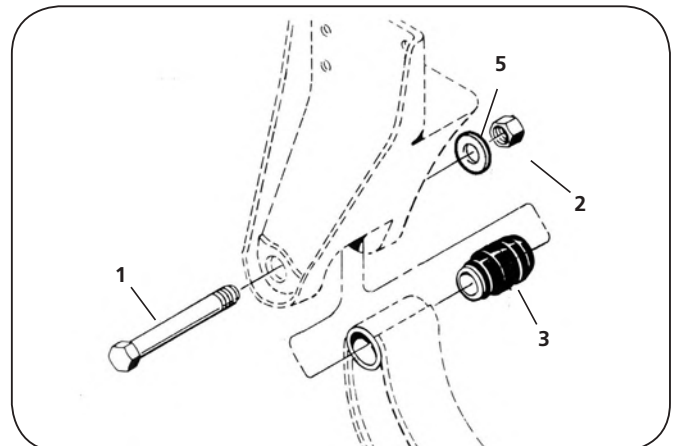
Axle Connection
SRK-128: 48100181

ITEM	DESCRIPTION	PART NUMBER	QTY	WEIGHT LBS. [KG]
4	Washer, Flat 1.00 x 1.75 x .16	93900027	8	0.04 [0.02]
6	Wrapper, Rubber	90028047	2	1.29 [0.59]
7	Pad, Rubber	90028083	2	1.90 [0.86]
9	U-BOLT 1-8 x 12.5" GR 8	90042792	4	0.62 [0.28]
24	Nut, Hex Lock 1.0-8 GR C	93400502	8	0.34 [0.15]
28	Washer Square For 1.00" [25.4] Bolt	93600028	4	0.30 [0.14]

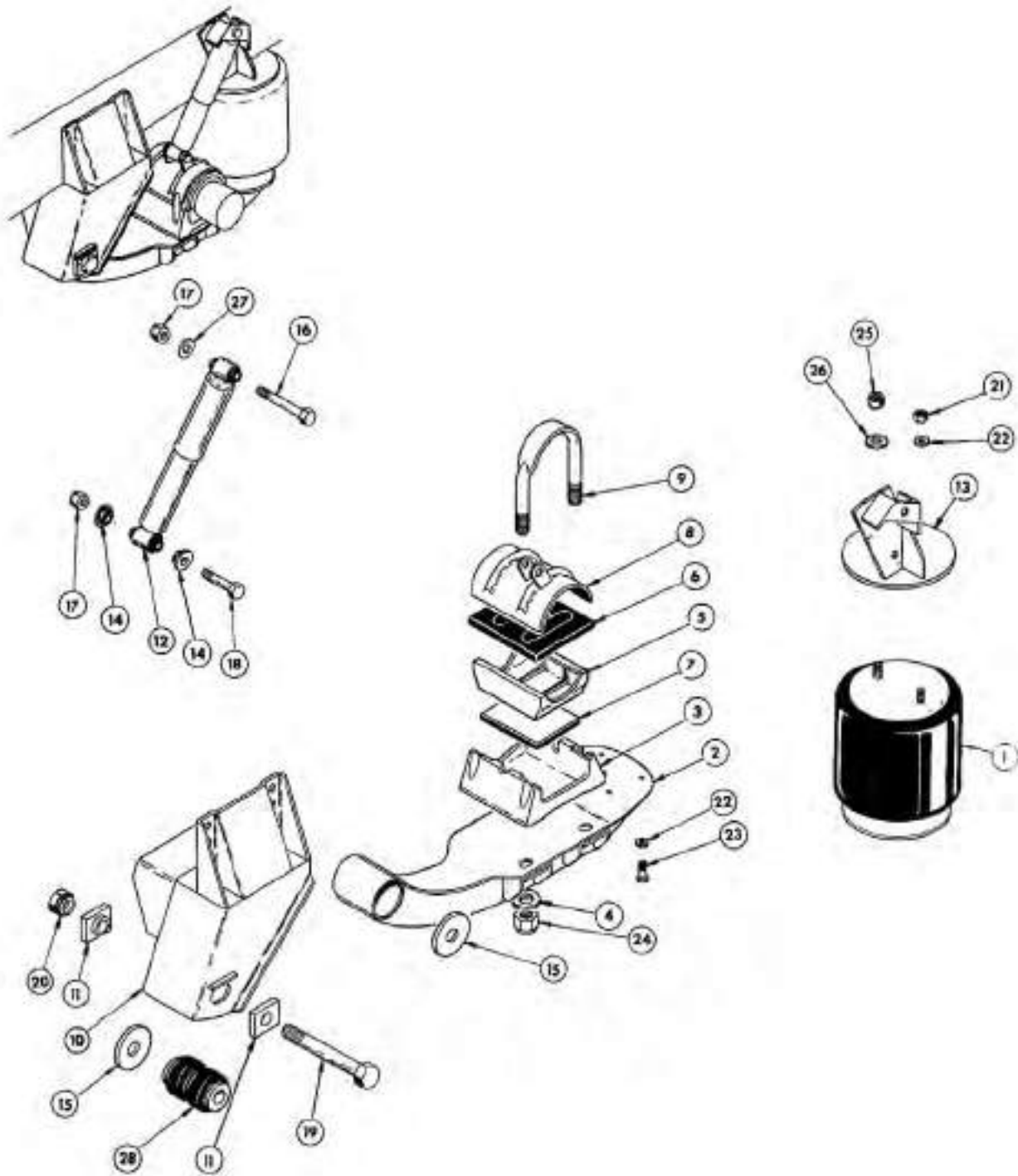


Pivot Connection
SRK-145: 48100202

ITEM	DESCRIPTION	PART NUMBER	QTY	WEIGHT LBS. [KG]
2B	Bushing	90008139	2	4.68 [2.12]
3	Bolt Hex 1.125 - 7 x 9.53" Gr 8	93201055	2	2.92 [1.32]
15	Washer Spacer	90036177	2	0.80 [0.36]
20	Nut,Hex,Lock 1.125 - 7 Gr C	93400506	2	0.38 [0.17]



ART-541-B Exploded View

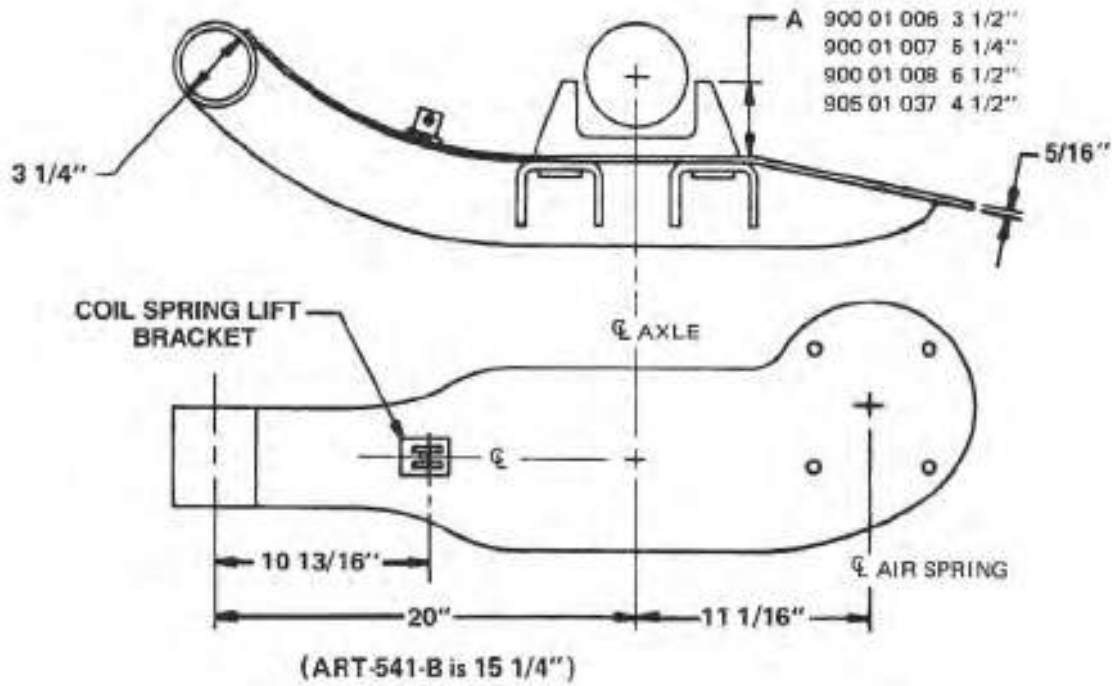


DISCONTINUED MODEL SERVICE PARTS ONLY

Please contact Customer Service for part availability
800.876.3929

ITEM	DESCRIPTION	PART NUMBER	QTY REQD	WEIGHT LBS. [KG]
1	Air Spring Assembly	90557027	2	15.00 [6.80]
2	Equalizing Beam Assembly LH (Includes Item #3, 28)	90516197	1	92.00 [41.73]
	Equalizing Beam Assembly RH (Includes Item #3, 28)	90516198	1	N/A
3	Beam Seat	90001006	2	16.82 [7.63]
4	Washer 1	93900027	8	0.04 [0.02]
5	Axle Adapter	90001082	2	9.00 [4.08]
6	Rubber Wrapper	90028047	2	1.29 [0.59]
7	Rubber Pad	90028083	2	1.90 [0.86]
8	Axle Cap Assembly LH	90510112	1	N/A
	Axle Cap Assembly RH	90510113	1	N/A
9	U-Bolt 1-8 x 9"	90041878	4	1.88 [0.85]
10	Frame Bracket LH Adjustable	90518461	1	45.00 [20.41]
	Frame Bracket RH Fixed	90518462	1	44.00 [19.96]
11	Adjusting Bushing	90008147	2	1.50 [0.68]
12	Shock Absorber	90044162	2	4.85 [2.20]
13	Air Spring & Shock Bracket Assembly LH	90519811	1	N/A
	Air Spring & Shock Bracket Assembly RH	90519812	1	N/A
14	Replacement Shock Bushing	90508004	8	0.20 [0.09]
15	Spacer Washer	90036177	4	0.80 [0.36]
16	Hex Head Bolt 3/4 - 10 x 5 1/2" Gr5	90003645	2	
17	Lock Nut 3/4 - 10 GrB	93400492	4	0.13 [0.06]
18	Hex Head Bolt 3/4 - 10 x 3 1/2" Gr5	93003597	2	0.52 [0.23]
19	Hex Head Bolt 1 1/8 - 7 x 9 1/4" Gr8	93201055	2	2.92 [1.32]
20	Lock Nut 1 1/8 - 7 GrC	93400506	2	0.38 [0.17]
21	Hex Nut 1/2 - 13 GrB	93400136	2	0.04 [0.02]
22	Lock Washer 1/2	93600072	8	0.01 [0.005]
23	Hex Head Bolt 1/2 - 13 x 1" Gr2	93002893	6	0.08 [0.04]
24	Lock Nut 1-8 GrC	93400502	8	0.34 [0.15]
25	Hex Nut 3/4 - 16 GrB	93400149	2	0.12 [0.05]
26	Lock Washer 3/4	93600077	2	0.04 [0.02]
27	Washer 3/4	93600005	2	0.04 [0.02]
28	Rubber Bushing	90008139	2	4.68 [2.12]

ART-500-B, ART-500-US-A, ART-505-B/C, ART-541-B,
ART-551-B & ART-555-B/C Series Equalizing Beam Identification



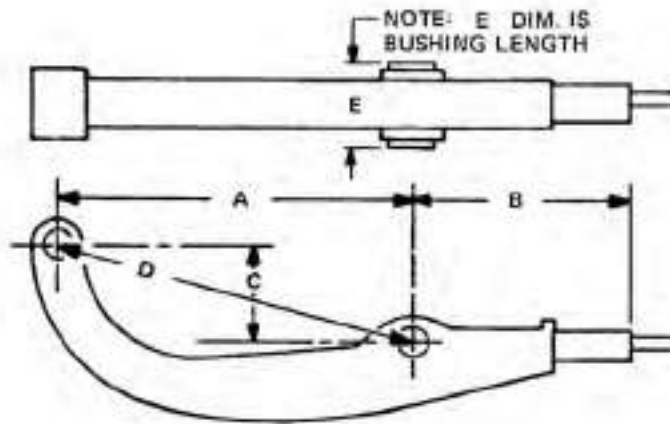
LEFT HAND PART NUMBER	LH WEIGHT LBS. [KG]	RIGHT HAND PART NUMBER	RH WEIGHT LBS. [KG]	A DIMENSION	APPLICATION
90515602*	N/A	90515603*	N/A	5-1/4	ART-555-B-1 SP
90516197	92.00 [41.73]	90516198	N/A	3-1/2	ART-541-B
90516335*	93.00 [42.18]	90516336*	100.00 [45.35]	3-1/2	ART-505-B/C, 555-B/C-3
90516337*	97.00 [44.00]	90516338*	97.00 [44.00]	4-1/2	ART-505-B/C-1, 555-B/C-2
90516341*	110.00 [49.90]	90516342*	110.00 [49.90]	6-1/2	ART-555-B/C-1
90516343	89.00 [40.36]	90516344	89.00 [40.37]	3-1/2	ART-500-US-A, 500-B, 551-B-3
90516345	96.00 [43.54]	90516346	100.00 [45.35]	4-1/2	ART-500-B-1, 551-B-2
90516349	120.00 [54.43]	90516350	100.00 [45.35]	6-1/2	ART-551-B-1

* Includes Coil Spring Lift Bracket

NOTE: Equalizing Beams include Beam Seat

**DISCONTINUED MODEL
SERVICE PARTS ONLY**

Please contact Customer Service for part availability
800.876.3929



PART NUMBER	A DIMENSION	B DIMENSION	C DIMENSION	D DIMENSION	E DIMENSION	MODEL	WEIGHT LBS. [KG]
90515773	24-3/4	15-7/16	7	25-23/32	5-3/4	ARD-234	90.00 [40.82]
90516151	24-3/4	15-9/16	7	25-23/32	5-3/4	ARD-120/238	85.00 [38.56]
90516177	24-3/4	15	7	25-23/32	5-1/4	ARD-125/244	84.20 [38.19]
90516181	24-1/16	15	3-1/2	24-5/16	5-1/4	ARD-125/244	N/A
90516288	24-3/4	15	7	25-23/32	5-3/4	ARD-125/244	100.00 [45.36]
90516369	24-19/32	15	5-1/4	25-5/32	5-3/4	ARD-125/244	100.00 [45.36]
90516488	25-9/16	15	7	26-1/2	5-3/4	ARD-125/244	120.00 [54.43]

IMPORTANT: The Equalizing Beam part numbers listed apply to units with the 1 1/8" diameter Pivot Bolt (1981 & later). For 1 1/4" diameter Pivot Bolt units (pre-1981), the following parts must be replaced along with the Equalizing Beam; Pivot Bolt, Lock Nut, Spacer Washer, and Alignment Bushing. Contact Holland Customer Service for specific instructions.

**DISCONTINUED MODEL
SERVICE PARTS ONLY**

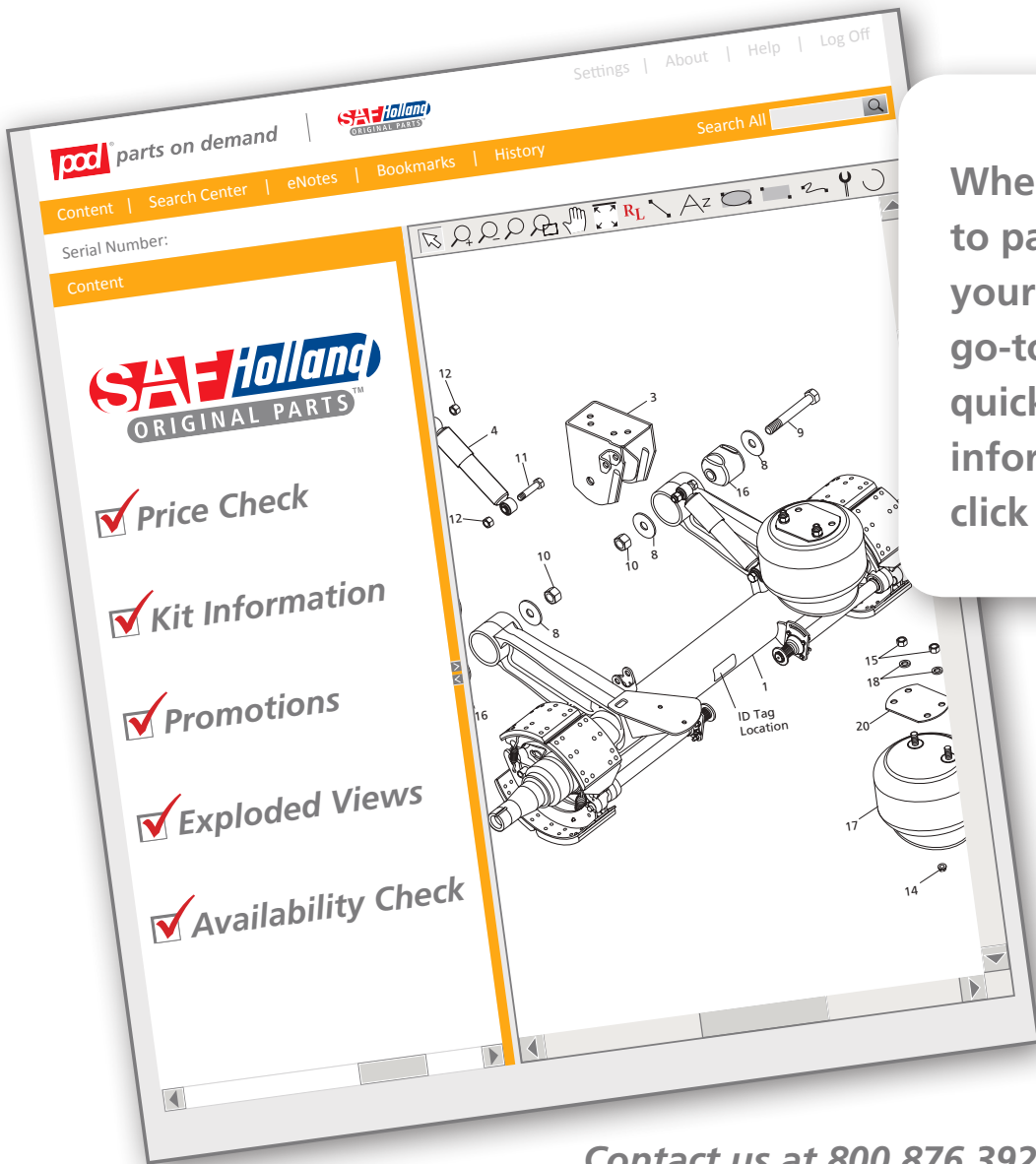
Please contact Customer Service for part availability
800.876.3929

pod® *parts on demand*

QUICK & EASY PARTS ONLINE 

SEARCH 

Parts Knowledge at the Tip of Your Finger



When it comes to parts, become your customers' go-to source with quick and accurate information just a click away.



Contact us at 800.876.3929 to learn more

TRAILER SUSPENSION PARTS

HOLLAND (AND FORMER NEWAY)



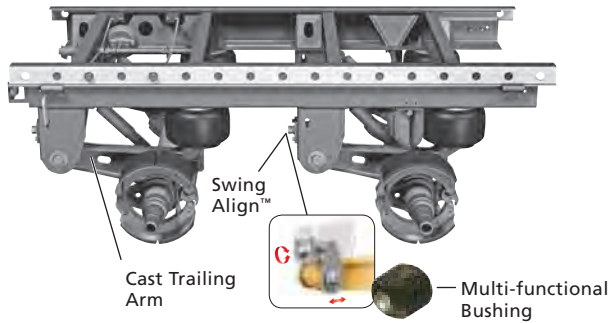
SAF *Holland*
ORIGINAL PARTS™

CB400/4000 & CBX40 Series

40,000 lbs. Capacity

Discontinued - Replacement Parts Only

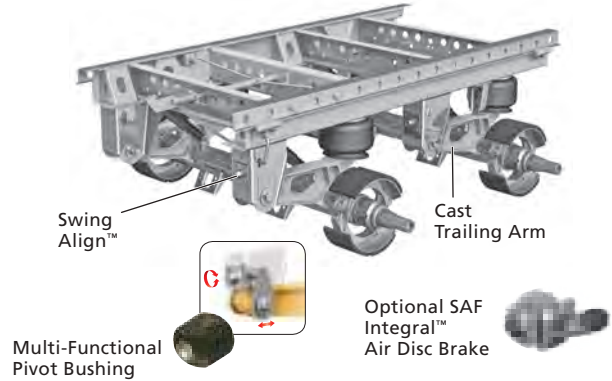
See Page 2-10



CBX40 265 Fusion

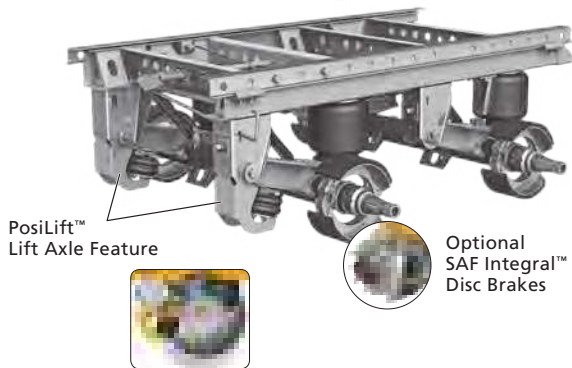
40,000 lbs. Capacity

See Page 2-16



PosiLift™

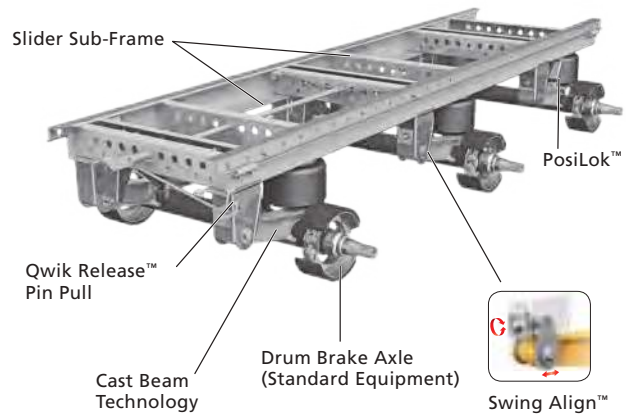
Load > 18,000 lbs. Both Axles Down
Load < 18,000 lbs. Front Axle Up



CBX69

69,000 lbs. Capacity

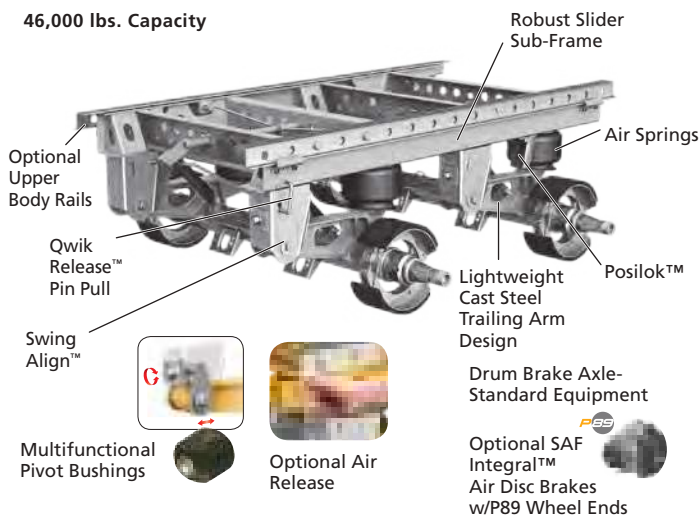
See Page 2-24



CBX46

46,000 lbs. Capacity

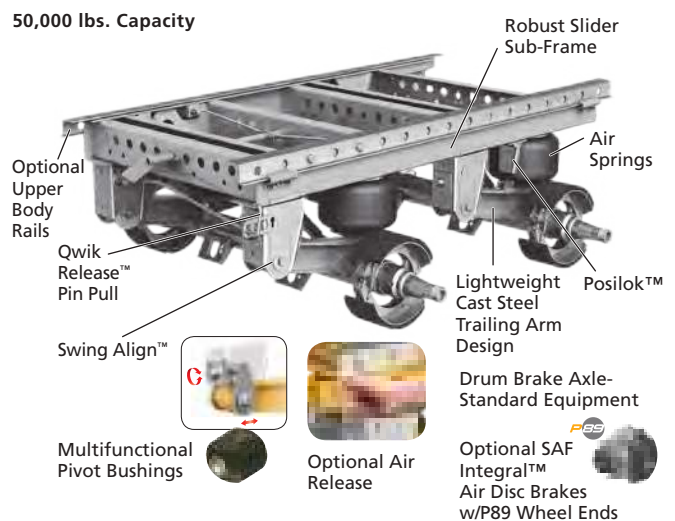
See Page 2-34



CBX50

50,000 lbs. Capacity

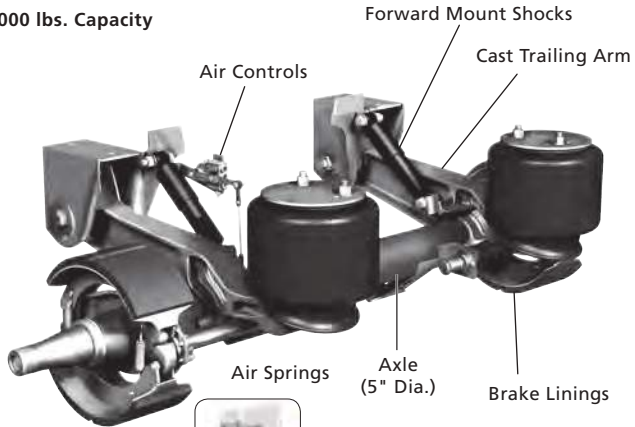
See Page 2-42



CB2300

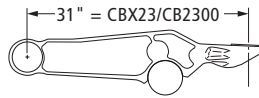
23,000 lbs. Capacity

See Page 2-52



Swing Align™

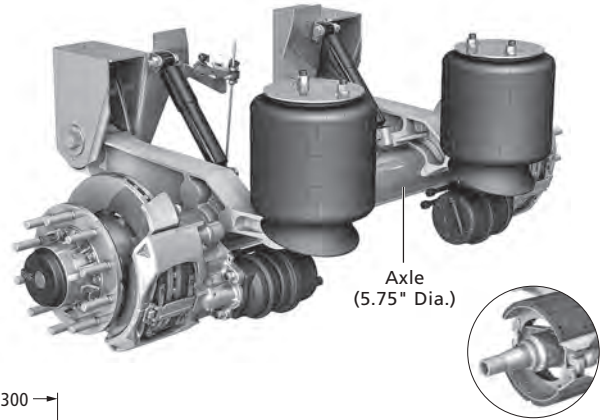
Multi-Functional Pivot Bushing



CBX23

Up to 23,000 lbs. Capacity

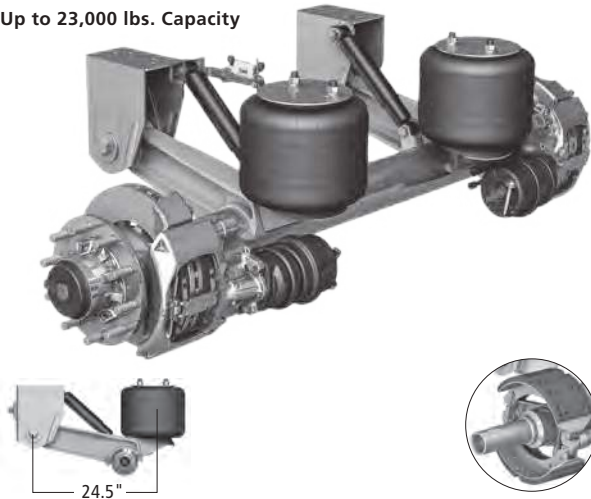
See Page 2-58



CBX23 W/245 Fusion

Up to 23,000 lbs. Capacity

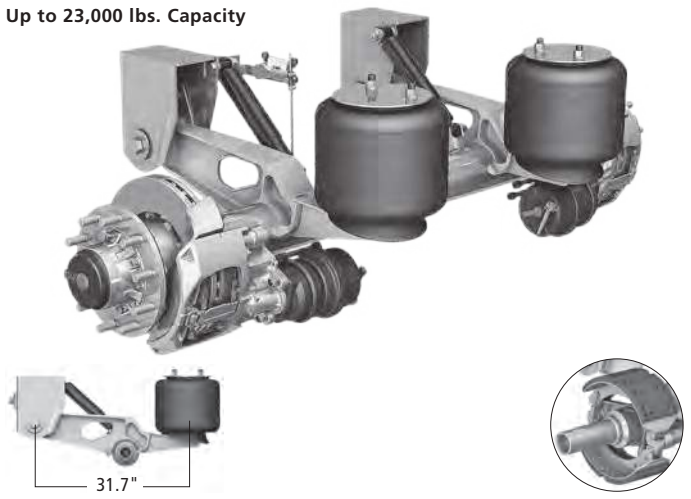
See Page 2-66



CBX23 W/317 Fusion

Up to 23,000 lbs. Capacity

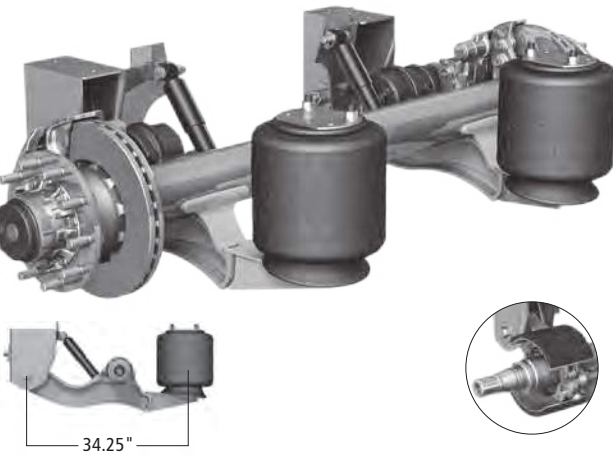
See Page 2-70



CBX23u W/342 Fusion

Up to 23,000 lbs. Capacity

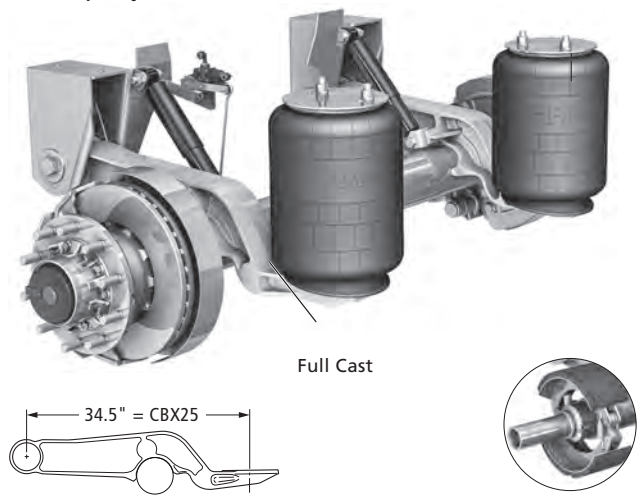
See Page 2-74



CBX25

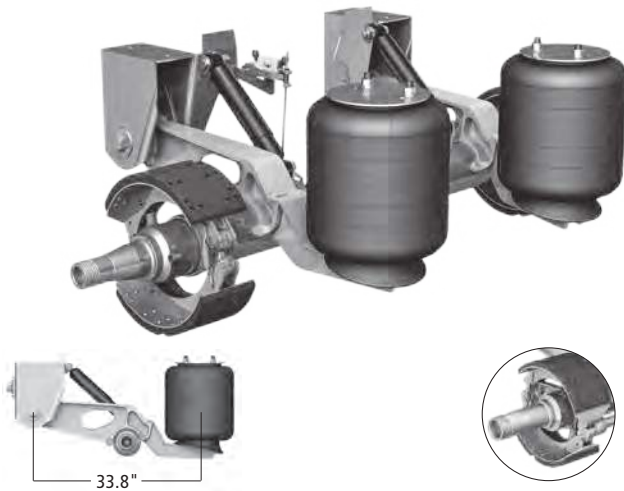
25,000 lbs. Capacity

See Page 2-78



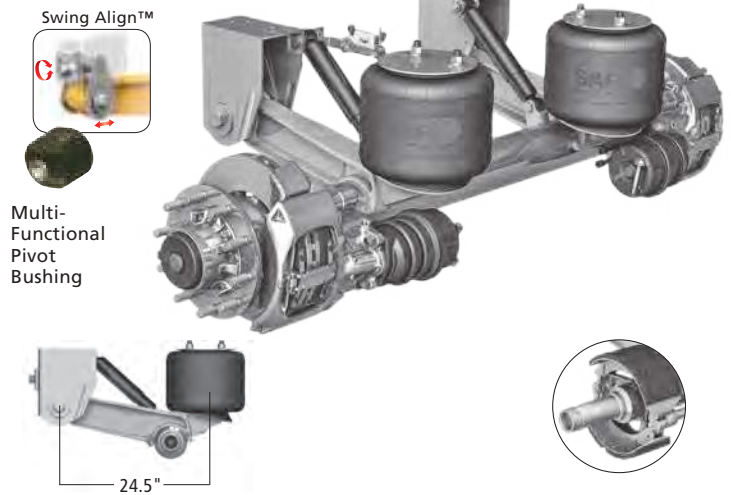
CBX25 & CBX25/30 W/338 Fusion See Page 2-92

25,000 lbs. Capacity



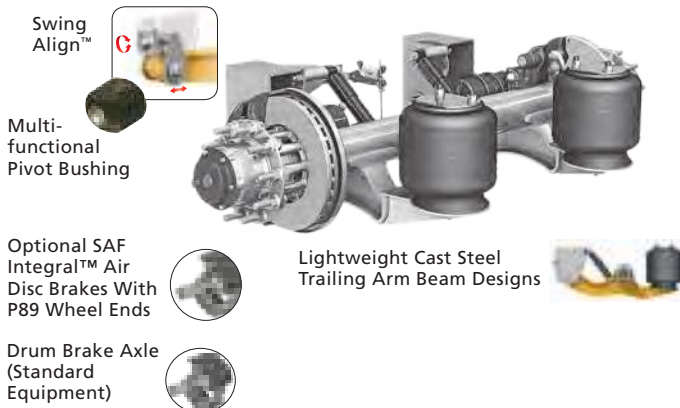
CBX25 & CBX25/30 W/245 Fusion See Page 2-86

25,000 lbs. Capacity



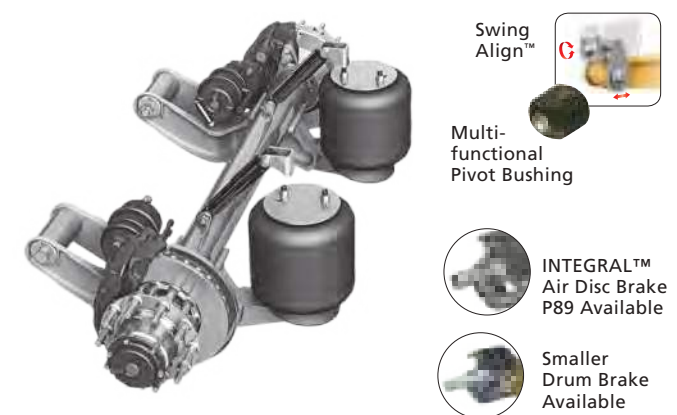
CBX25u & CBX25/30u See Page 2-106

CBX25u – 25,000 lbs. Capacity
 CBX25/30u – 30,000 lbs. Capacity (at Creep Speed)



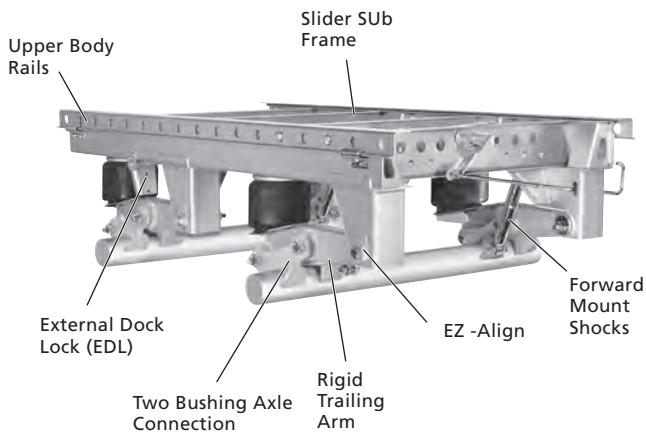
CB25Y, CBX25y & CBX25/30y See Page 2-110

CB25Y – 25,000 lbs. Capacity, 5" Axle
 CBX25y – 25,000 lbs. Capacity, 5.75" Axle
 CBX25/30y – 30,000 lbs. Capacity (at Creep Speed), 5.75" Axle



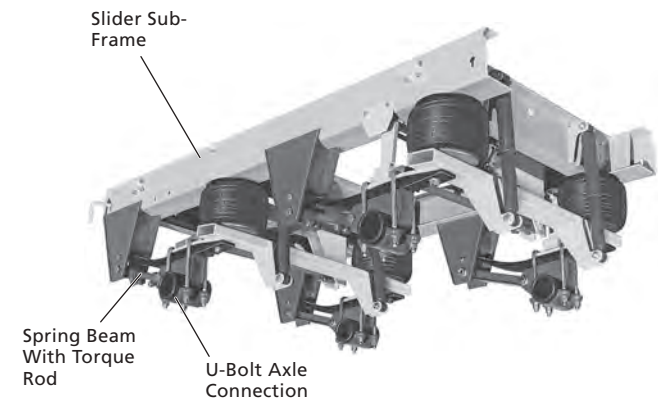
NS Series See Page 2-116

40,000 lbs. Capacity
 Discontinued - Replacement Parts Only



AirLite2 See Page 2-132

40,000 lbs. Capacity
 Discontinued - Replacement Parts Only

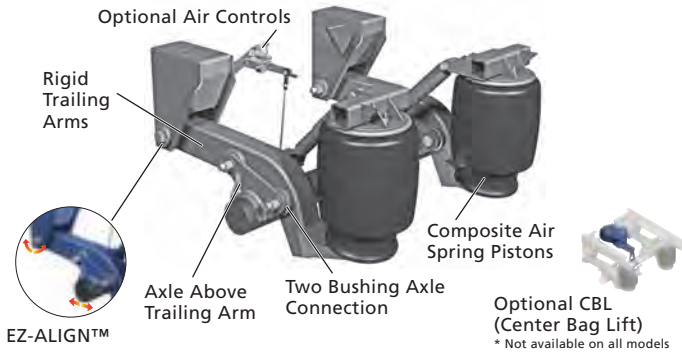


RL Series

See Page 2-136

- RL-196 - 19,000 lbs. Capacity
- RL-228 - 22,500 lbs. Capacity
- RL-230 - 23,000 lbs. Capacity
- RL-250 - 25,000 lbs. Capacity
- RL-300 - 30,000 lbs. Capacity

Discontinued - Replacement Parts Only

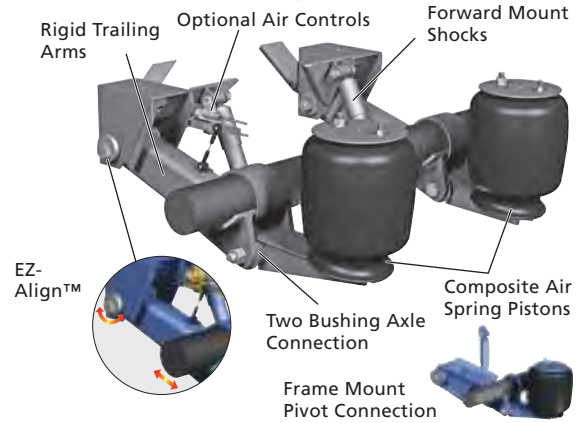


RLU Series

See Page 2-166

- RLU-228 - 22,500 lbs. Capacity
- RLU-250 - 25,000 lbs. Capacity

Discontinued - Replacement Parts Only



AR-120/AR-125

Up to 25,000 lbs. Capacity

Discontinued - Replacement Parts Only



See Page 2-188

AR Series with U-Bolt Axle Connection

Up to 25,000 lbs. Capacity

Discontinued - Replacement Parts Only

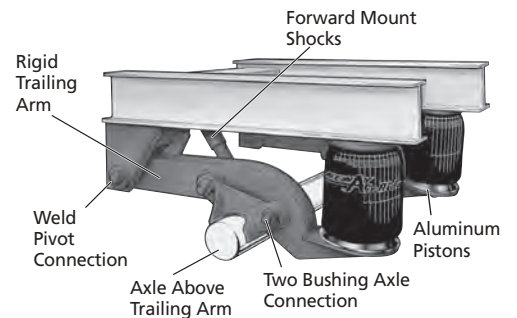


See Page 2-196

AR-90

Up to 22,500 lbs. Capacity

Discontinued - Replacement Parts Only



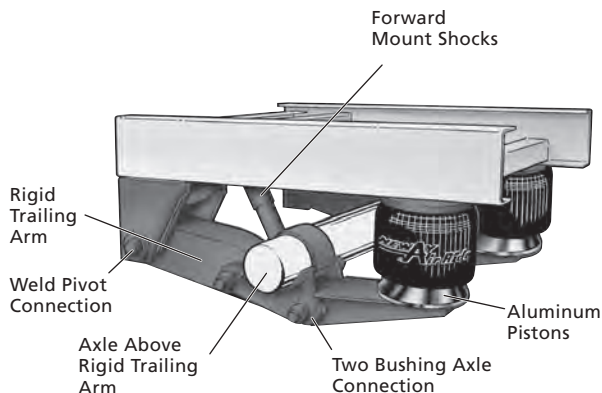
See Page 2-212

ARU Series

See Page 2-232

Up to 22,500 lbs. Capacity

Discontinued - Replacement Parts Only



AL Series

See Page 2-235

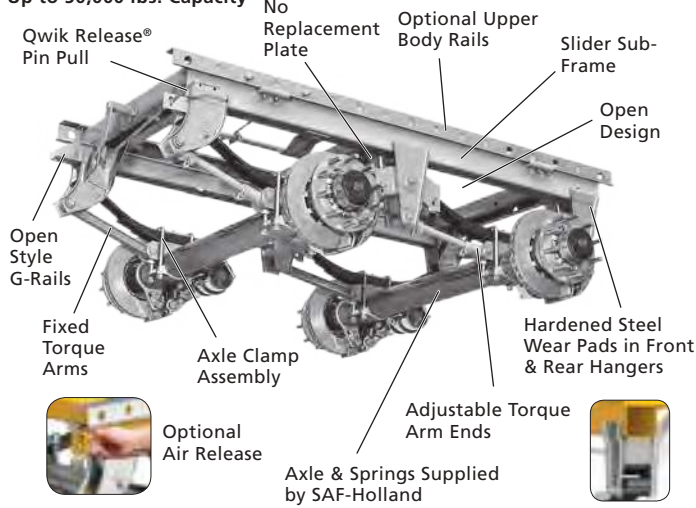
Discontinued - Replacement Parts Only



ULX40 Mechanical Slider

See Page 2-240

Up to 50,000 lbs. Capacity



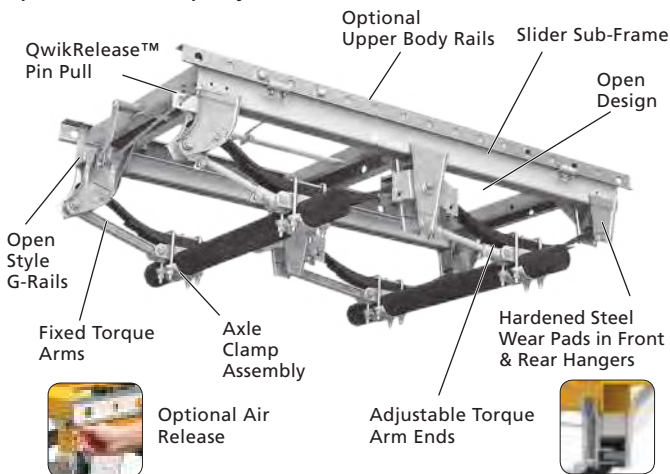
ULX40 also available with Composite Leaf Spring.



UltraLite2

See Page 2-246

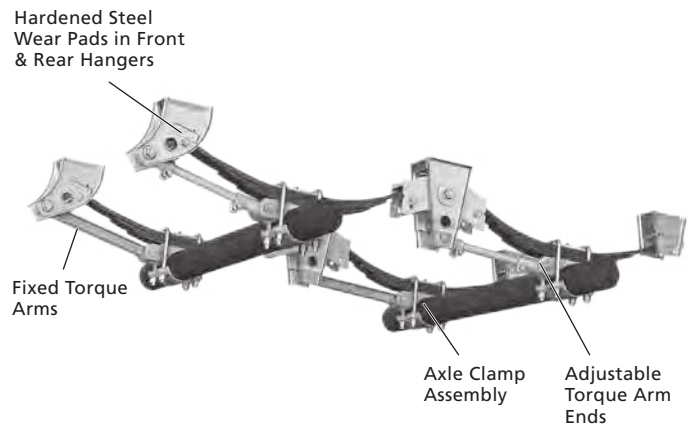
Up to 50,000 lbs. Capacity



DuraLite

See Page 2-252

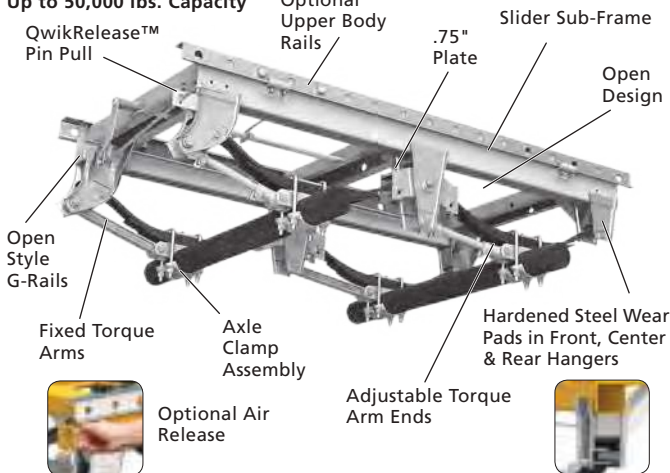
Up to 25,000 lbs. Per Axle Capacity



DuraSystem

See Page 2-264

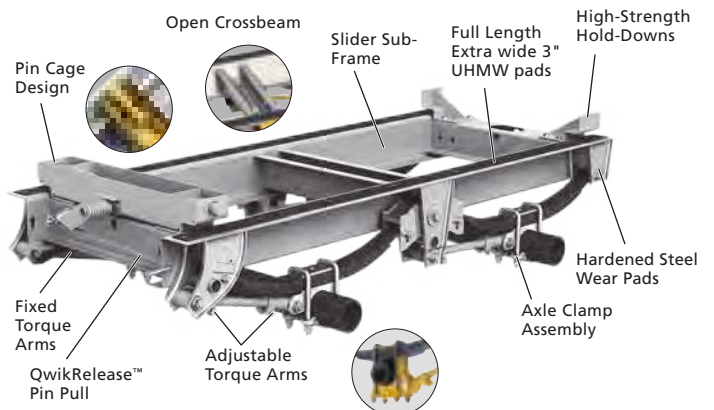
Up to 50,000 lbs. Capacity



Z-Frame Chassis

See Page 2-270

Up to 50,000 lbs. Capacity



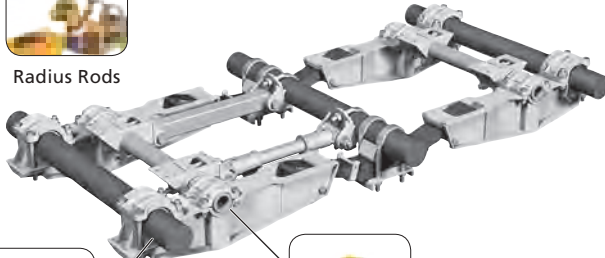
TR & TRM Series

Up to 120,000 lbs. Capacity

See Page 2-274



Radius Rods



Axle Connection

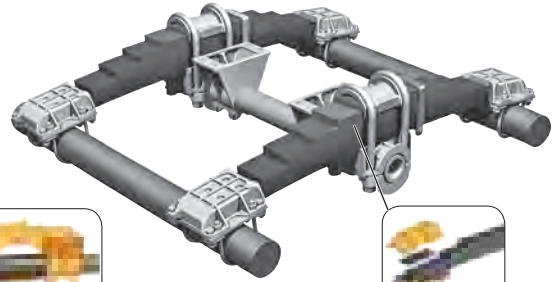


Trunnion Bushing

TS Series

Up to 100,000 lbs. Capacity

See Page 2-284



Trunnion Connection



Straddle Mount Option



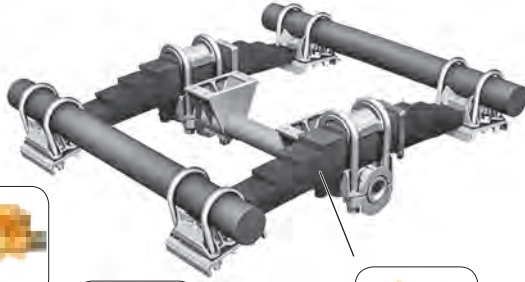
Rubber Pad

US Series

Up to 60,000 lbs. Capacity

Discontinued - Replacement Parts Only

See Page 2-292



Trunnion Connection



Straddle Mount Option

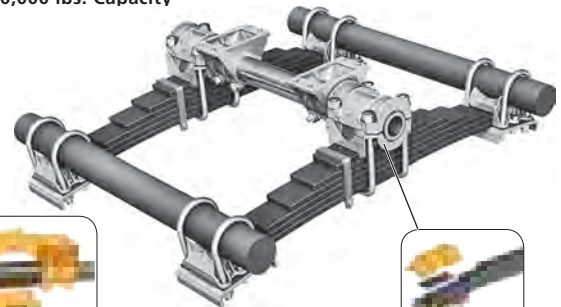


Rubber Pad

USR Series

Up to 60,000 lbs. Capacity

See Page 2-296



Trunnion Connection



Straddle Mount Option



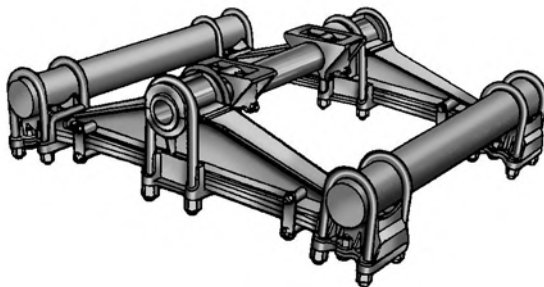
Rubber Pad

SB Series

Up to 60,000 lbs. Capacity

Discontinued - Replacement Parts Only

See Page 2-304



SL/TL Series

Up to 44,000 lbs. Capacity

Discontinued - Replacement Parts Only

See Page 2-308

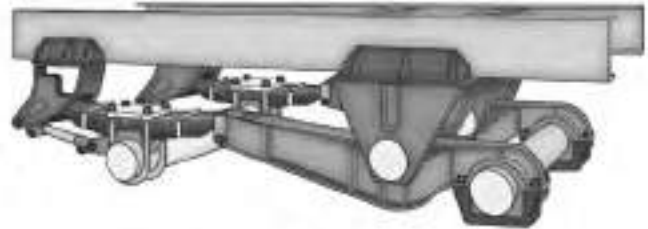


RTS Series

Up to 44,000 lbs. Capacity

Discontinued - Replacement Parts Only

See Page 2-328

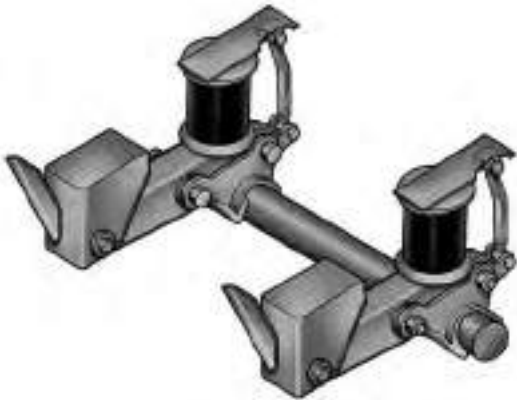


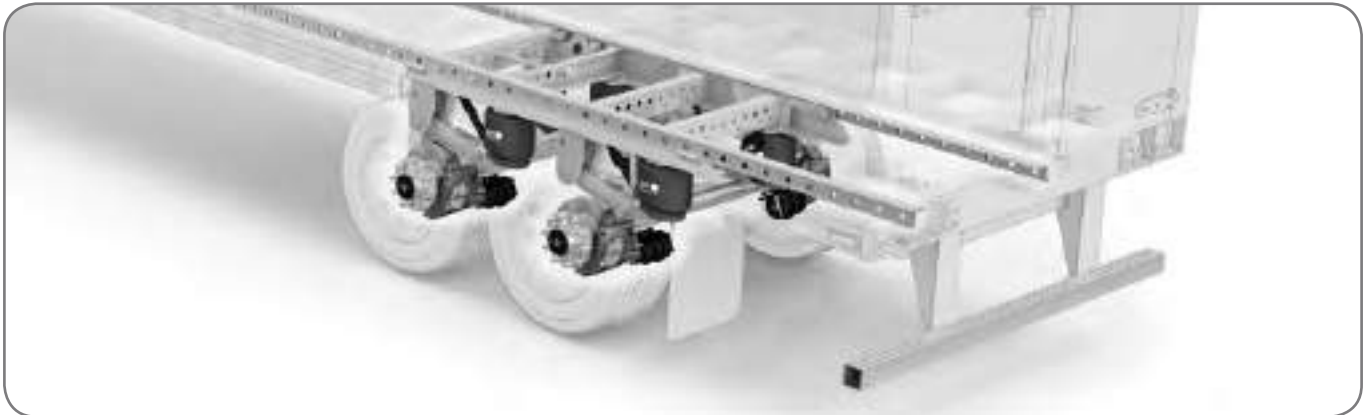
ER/RC Series

Up to 22,500 lbs. Capacity

Discontinued - Replacement Parts Only

See Page 2-336





SAF-HOLLAND trailer suspension systems are rolling in all corners of the world.

Our suspension systems have leading-edge technology that greatly enhance product value and service life to the end-user. Backed with exemplary global service support, you can depend on SAF-HOLLAND to keep you on the road.

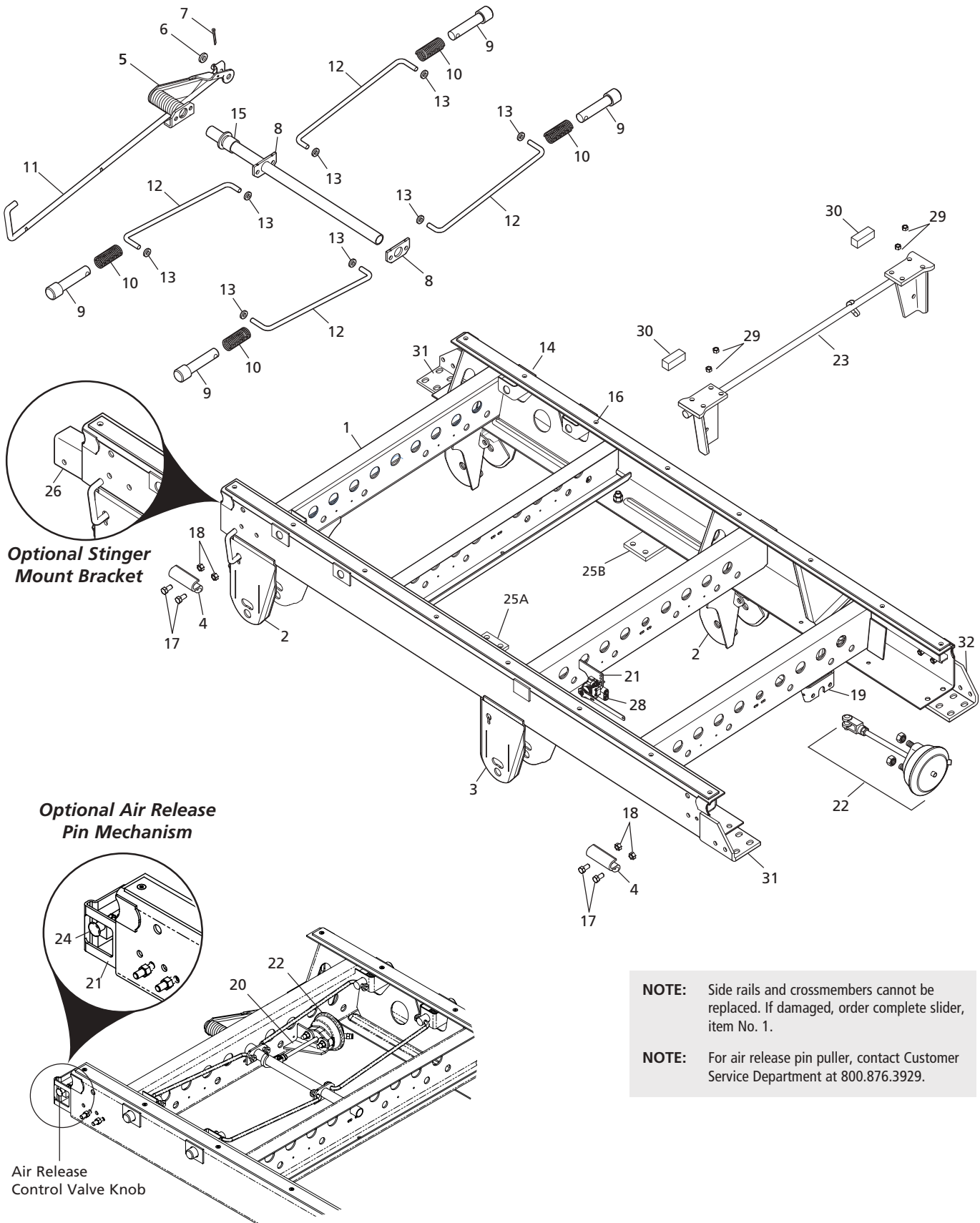
AIR SUSPENSIONS

SAF-HOLLAND air suspension systems are perfect suspension systems with trend-setting technology, exemplary product properties and superior performance features.

MECHANICAL SUSPENSIONS

SAF mechanical suspension systems are designed specifically for solving individual transportation tasks under at times most difficult operating conditions.

CB400/4000 & CBX40 Slider Box Exploded View



**Optional Stinger
Mount Bracket**

**Optional Air Release
Pin Mechanism**

NOTE: Side rails and crossmembers cannot be replaced. If damaged, order complete slider, item No. 1.

NOTE: For air release pin puller, contact Customer Service Department at 800.876.3929.

**Air Release
Control Valve Knob**

CB400/4000, CBX40 & CBX40 SLIDER BOX LIST				
ITEM	DESCRIPTION	PART NUMBER	QTY PER SLIDER	WEIGHT LBS. [KG]
1	Slider System CB400/4000, CBX40 & CBX40 Fusion	See Chart #2	1	See Chart #2
2	Frame Bracket, Right Hand See 48100396	90521742	1	18.93 [8.59]
3	Frame Bracket, Left Hand - SwingAlign See 48100395	90521743	1	23.20 [10.52]
4	Hold Down Bracket	90015150	4	2.30 [1.04]
5	Torsion Cam	SL0A1277-01	1	7.23 [3.28]
6	Washer .41" I.D. x .81" O.D.	XB-PW-016-08	1	0.30 [0.14]
7	Cotter Pin .16" x 1.50"	XB-CTP-014-59	1	0.10 [0.05]
8	Cam Plate	SL0A1274	2	0.37 [0.17]
9	Pin, Step Lock 1.63" x 6.38" Long (Hutch Style)	SL0A1261	4	2.15 [0.98]
	Pin, Lock 1.38" x 6.75" Long (All others)	SL0A1238	4	1.92 [0.87]
10	Spring, Compression	XB-SPG-020-35	4	0.25 [0.11]
11	Arm, Pull 42" Slide Box	SL0A1445-02	1	3.56 [1.61]
	Arm, Pull 48" Slide Box	SL0A1445-01	1	3.79 [1.72]
12	Arm, Linkage 18.08" for 42" Slide Box	SL0A1239-01	1	0.97 [0.44]
	Arm, Linkage 15.08" for 48" Slide Box	SL0A1239-02	1	1.23 [0.56]
13	Washer, Flat .19" I.D. x .52" O.D.	XB-PW-016-85	8	0.28 [0.13]
14	Lock, Slide	XB-SL0A1054	2	1.58 [0.72]
15	Spacer, Tube 1.25"	SL0523-07	1	0.24 [0.11]
16	Screw .32"-18 x.75" Flat HD	XB-STS-008-16	16	0.02 [0.01]
17	Cap Screw, Hex HD.50"-13 x 1.75" Long GR5	XB-HHC-001-33	8	0.11 [0.05]
18	Nut, Hex.50" -13 GRB	XB-SLN-012-42	8	0.03 [0.01]
19	Bracket, Brake Chamber	SL0A1230	1	0.76 [0.34]
20	Bracket, Spring Brake	90026227	1	1.40 [0.64]
21	Bracket, HCV Mounting	90034541	1	0.60 [0.27]
22	Spring Brake Service Chamber for Air Release Pin Mechanism (includes .50"-13 hex nuts)	90548040	1	4.32 [1.96]
	Spring Brake Service Chamber for PosiLok (includes .50"-13 hex nuts)	90548040	1	4.32 [1.96]
23	PosiLok- 42" Wide Slide	See Chart #3	1	See Chart #3
	PosiLok- 48" Wide Slide	See Chart #3	1	See Chart #3
	PosiLok- 54" Wide Slide	See Chart #3	1	See Chart #3
24	Connector, Male Push Connect	93800329	1	0.06 [0.03]
25A	Bracket, Air Tank Mounting	SL0A1429	2	1.98 [0.90]
25B	Bracket, Air Tank Mounting	SL0A1485	2	2.67 [1.21]
26	Channel, Stinger Mounting	SL0A1324	1	3.61 [1.64]
28	Valve, Height Control	See Page 2-20	1	See Page 2-20
29	Nut, Hex .5-13 GR-B Plain	XB-SLN-012-42	4	0.03 [0.01]
30	Block	90034559	2	0.32 [0.15]
31	Angle, Formed	SL0A1307-01	1	1.74 [0.79]
32	Angle, Formed	SLOA1307-02	1	1.74 [0.79]

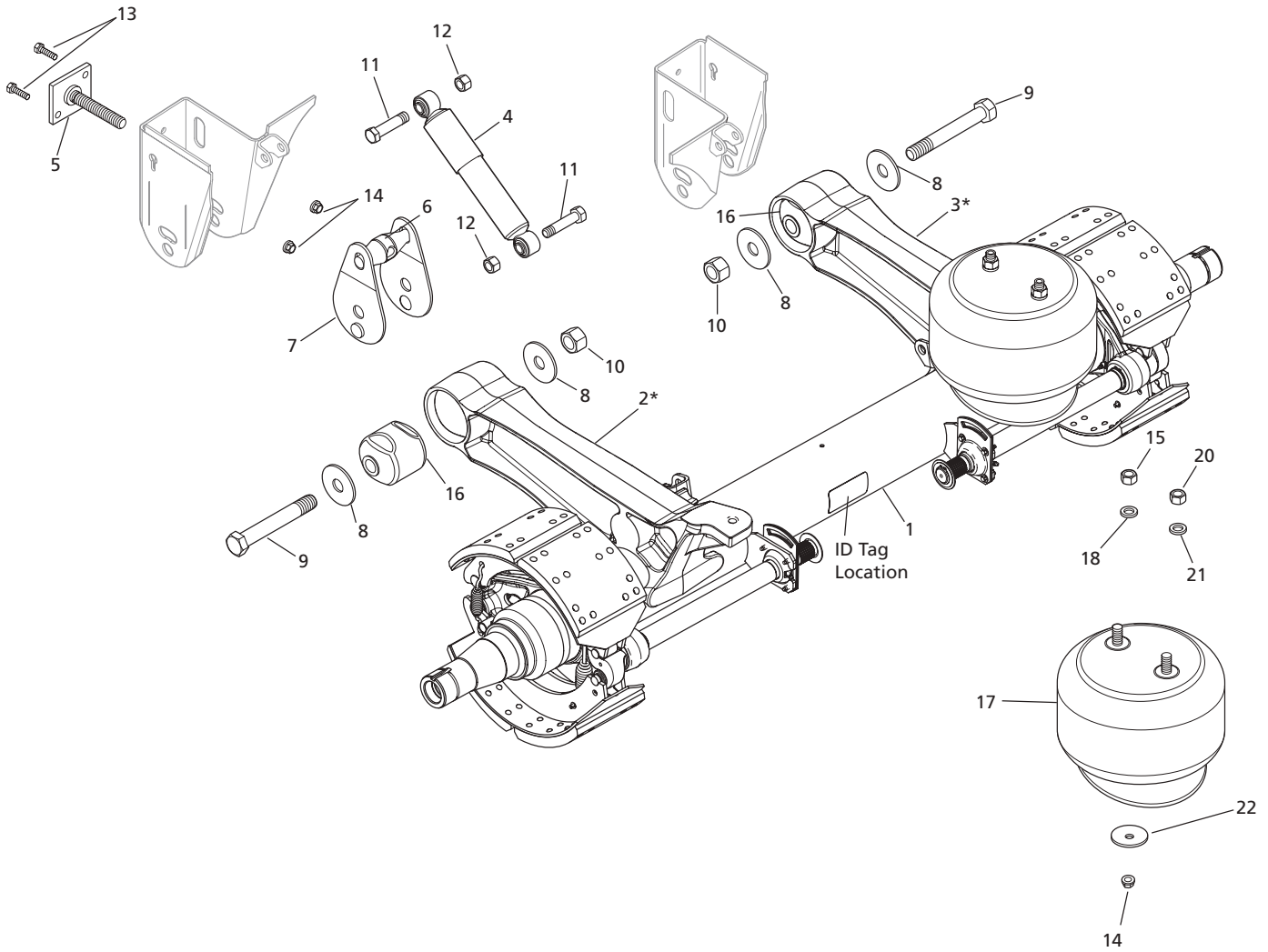
CB400/4000 & CBX40 Slider Box Parts List

CB400/4000, CBX40 & CBX40 FUSION SLIDER SYSTEM (CHART #2)						
ITEM	DESCRIPTION	RIDE HEIGHT				
		15.5"	16.0"	16.5"	17.0"	18.0"
1	Binkley Rail Style	42"- CL211Q11	42"- CL221Q11	42"- CL231Q11	42"- CL241Q11	42"- CL251Q11
	1.375" x 6.0" Outside Shim	48"- CL111Q11	48"- CL121Q11	48"- CL131Q11	48"- CL141Q11	48"- CL151Q11
	Binkley Rail Style	42"- CU211Q11	42"- CU221Q11	42"- CU231Q11	42"- CU241Q11	42"- CU251Q11
	1.375" x 6.0" Inside Shim	48"- CU111Q11	48"- CU121Q11	48"- CU131Q11	48"- CU141Q11	48"- CU151Q11
	Hutch Rail Style	42"- CH211Q11	42"- CH221Q11	42"- CH231Q11	42"- CH241Q11	42"- CH251Q11
	1.625" x 4.0" Outside Shim	48"- CH111Q11	48"- CH121Q11	48"- CH131Q11	48"- CH141Q11	48"- CH151Q11
	TTMA Rail Style-Slide Box for Repl Only	42"- CT211Q11	42"- CT221Q11	42"- CT231Q11	42"- CT241Q11	42"- CT251Q11
	1.375" x 4" Outside Shim"	48"- CT111Q11	48"- CT121Q11	48"- CT131Q11	48"- CT141Q11	48"- CT151Q11

CB400/4000 & CBX40 POSILOK BRACKETS (CHART #3)											
ITEM	DESCRIPTION	RIDE HEIGHT									
		15.5"	WEIGHT LBS. [KG]	16.0"	WEIGHT LBS. [KG]	16.5"	WEIGHT LBS. [KG]	17.0"	WEIGHT LBS. [KG]	18.0"	WEIGHT LBS. [KG]
23	PosiLok- 42" Wide Slide	90548065	25.40 [11.52]	90548018	26.00 [11.79]	90548020	26.50 [12.02]	90548022	23.70 [10.75]	90548067	28.00 [12.70]
	PosiLok- 48" Wide Slide	90548066	27.00 [12.25]	90548019	27.60 [12.52]	90548021	28.00 [12.70]	90548023	28.40 [12.88]	90548068	29.60 [13.43]
	PosiLok- 54" Wide Slide	90548993	28.80 [13.06]	90548994	29.30 [13.29]	90548995	29.90 [13.56]	90548996	30.40 [13.79]	90548997	31.10 [14.11]
CB400/4000 & CBX40 POSILOK BRACKET KITS											
23	PosiLok- 42" Wide Slide	40060060	42.00 [19.05]	40060054	42.60 [19.32]	40060056	43.10 [19.55]	40060058		40060062	
	PosiLok- 48" Wide Slide	40060061	42.00 [19.05]	40060055	44.20 [20.49]	40060057	44.60 [20.23]	40060059		40060063	
	PosiLok- 54" Wide Slide	40060074	45.40 [20.59]	40060075	45.90 [20.82]	40060076	46.50 [21.09]	40060077		40060078	
CBX40 W/265 FUSION POSILOK BRACKETS											
23	PosiLok- 42" Wide Slide	90549677	24.10 [10.93]	90549678	24.60 [11.16]	90549679	25.20 [11.43]	90549680	25.80 [11.70]	90549681	26.80 [12.16]
	PosiLok- 48" Wide Slide	90549627	27.50 [12.47]	90549628	28.00 [12.70]	90549629	28.60 [12.97]	90549630	29.10 [13.20]	90549631	30.10 [13.65]
	PosiLok- 54" Wide Slide	90549796	27.40 [12.43]	90549797	27.90 [12.66]	90549798	28.40 [12.88]	90549799	28.90 [13.11]	90549800	29.80 [13.52]

THIS PAGE INTENTIONALLY LEFT BLANK

CB400/4000 & CBX40 Beam Exploded View



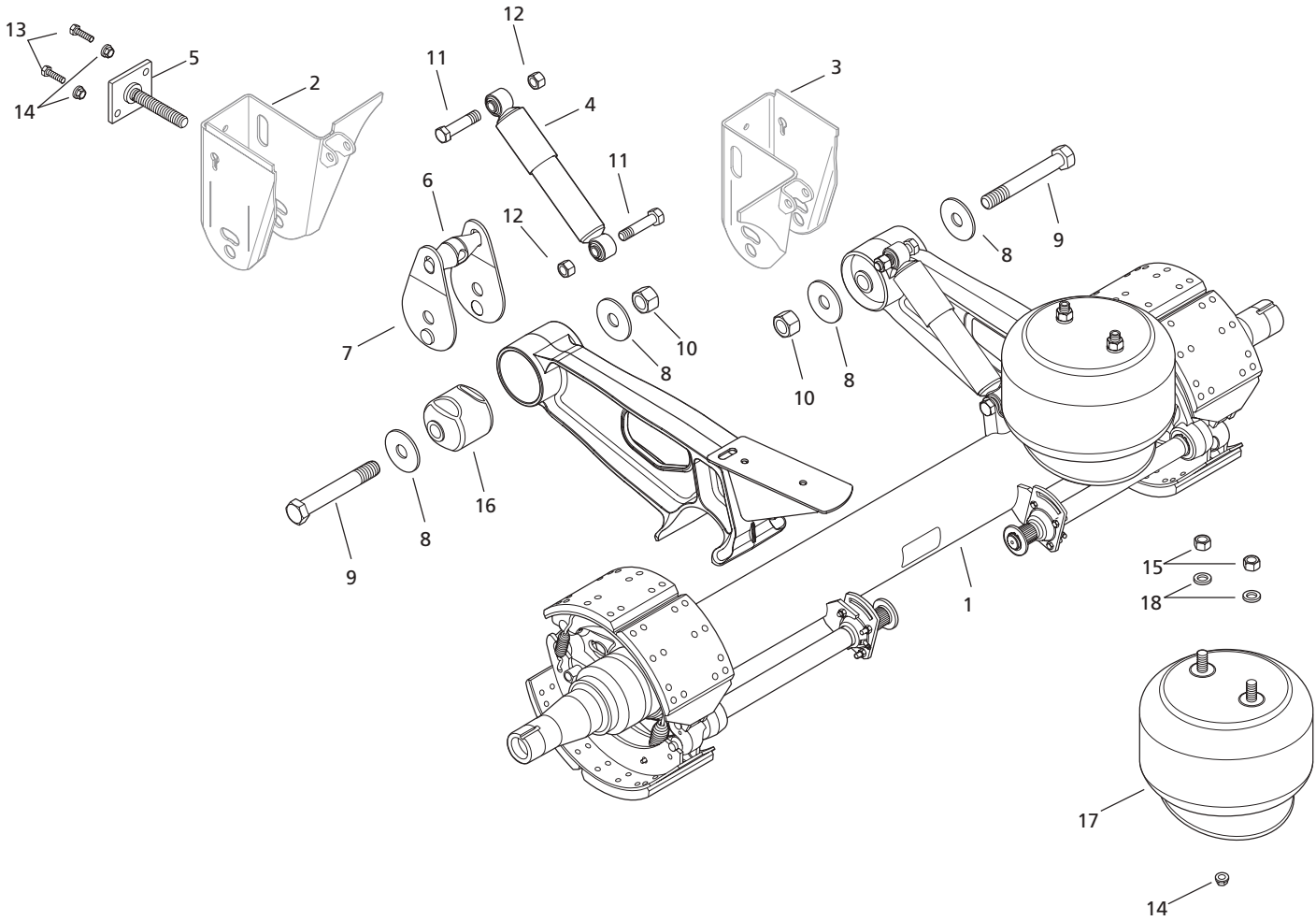
CBX40 & CB400/4000				
ITEM	DESCRIPTION	PART NUMBER	QTY PER AXLE	WEIGHT LBS. [KG]
1	See Chart #1 CBX40 & CB400/4000 Axle and Beam Assembly	See Chart #1	2	See Chart #1
2†*	Equalizing Beam LH (roadside - bushed beam) 15.5" - 17.0" Ride Height See Kit 48100449	90548008	2	59.50 [26.99]
	Equalizing Beam LH (roadside - bushed beam) 18.0" Ride Height - See Kit 48100449	90548096	2	62.40 [28.30]
3†*	Equalizing Beam RH (curbside - bushed beam only) 15.5" - 17.0" Ride Height - See Kit 48100450	90548009	2	59.50 [26.99]
	Equalizing Beam RH (curbside - bushed beam only) 18.0" Ride Height - See Kit 48100450	90548097	2	62.40 [28.30]
4	Shock Absorber - 15.5" and 16.0" Ride Height	90045298	4	4.90 [2.22]
	Shock Absorber - 16.5" and 17.0" Ride Height	90044162	4	4.26 [1.93]
	Shock Absorber - 18" Ride Height	90045040	4	5.19 [2.35]
5	Threaded Rod Assy	90548007	2	3.52 [1.60]
6	Swing Align Yoke	90045491	2	2.54 [1.15]
7	Plate, Weldment	90531339	4	2.23 [1.01]
8	Washer 1.14" I.D. x 3.50" O.D. GR8	93600553	8	0.46 [0.21]
9	Bolt, Hex, 1.12-7X8.0 Gr 8	93201070	4	2.69 [1.22]
10	Nut, Hex, Lock 1.13-7 GR C	93400506	4	0.38 [0.17]
11	Bolt, Hex .75"-10 X 3.50" Long GR 5	93006035	8	0.56 [0.25]
12	Nut Hex .75"- 10 GR B	93400492	8	0.13 [0.06]
13	Screw Hex Cap .50"-13 x 1.75" GR-5 ZC	XB-HHC-001-33	4	0.11 [0.05]
14	Nut, Flange .50"-13 GR B - Swing Align	93400623	2	0.32 [0.15]
	Nut, Flange .50"-13 GR B - Air Spring		2	
15	Nut, Hex .75"-16 GR B	93400149	4	0.12 [0.05]
16	Bushing, Cast Beam See 48100394	90008247	4	3.90 [1.77]
17	Air Spring Assy- 15.5" -16.0" Ride Height See 48100492	50857000	4	23.00 [10.43]
	Air Spring Assy- 16.5" Ride Height See Kit 48100493			
	Air Spring Assy- 17" Ride Height See Kit 48100494			
	Air Spring Assy- 18.0" Ride Height See Kit 48100495			
18	Washer .76" I.D. x 1.27" O.D.	93600077	4	0.04 [0.02]
20	Hex Nut .50" -13 GR8	93400136	4	0.40 [0.18]
21	Washer, Lock .78"	93600077	4	0.04 [0.02]
22	Spacer 15.5" and 16.0" Ride Height See Kit 48100492	93600560	4	0.50 [0.23]
	Spacer 16.5" Ride Height See Kit 48100493	90036274	4	1.65 [0.75]
	Spacer 17.0" Rode Height See Kit 48100494	90036275	4	3.25 [1.47]

CBX40 AXLE AND BEAM (CHART #1)				
	DESCRIPTION	CAM BRAKED ONLY, NO PSI PREP, 16X7 BRAKE, Ø 5.75" AXLE, NO CAM ENCLOSURES, MID CAMS	QTY	WEIGHT LBS. [KG]
Tapered	Braked Beam and Axle Assy, 77.5" Axle Track 42" Beam Centers	24710355090	2	444.00 [201.40]
Tapered	Braked Beam and Axle Assy, 71.5" Axle Track 36" Beam Centers	24710345090	2	432.00 [195.95]
Parallel	Braked Beam and Axle Assy, 77.5" Axle Track 42" Beam Centers	24710515090	2	440.00 [199.58]
Parallel	Braked Beam and Axle Assy, 71.5" Axle Track 36" Beam Centers	24710505090	2	428.00 [194.14]

† For CB400, see page 2-16 for replacement kits. For CB4000 and CBX40, please see full Axle and Beam Assembly.

* Not for individual sale

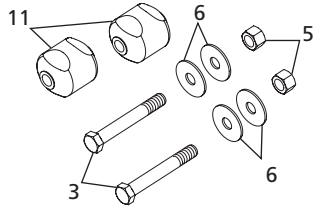
CBX40 w/265 Fusion Beam Exploded View



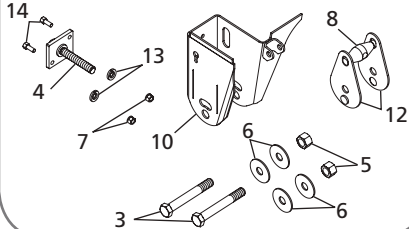
CBX40 W/265 FUSION BEAM PARTS LIST				
ITEM	DESCRIPTION	PART NUMBER	QTY PER AXLE	WEIGHT LBS. [KG]
1	CBX40 W/265 Fusion Axle and Beam Assembly	See Chart #1	1	See Chart #1
2	Bracket Frame Assembly - L.H.	90521742	2	18.93 [8.59]
3	Bracket Frame Assembly - R.H.	90521743	2	23.20 [10.52]
4	Shock Absorber- 15.5" and 16.0" Ride Height	90045298	2	4.90 [2.22]
	Shock Absorber- 16.5" and 17.0" Ride Height	90044162		4.26 [1.93]
	Shock Absorber- 18" Ride Height	90045040		5.19 [2.35]
5	Threaded Rod Assy	90548007	1	3.52 [1.60]
6	Swing Align Yoke	90045491	1	2.54 [1.15]
7	Plate Weldment	90531339	2	2.23 [1.01]
8	Washer 1.14" I.D. x 3.50" O.D. GR8	93600553	4	0.46 [0.21]
9	Bolt,Hex,1.12-7X8.0 Gr 8	93201070	2	2.69 [1.22]
10	Nut, Hex Lock 1.13" - 7 GR-C	93400506	2	0.38 [0.17]
11	Bolt, Hex.75"-10 x 3.50" Long GR 5	93006035	2	0.56 [0.25]
12	Nut Hex.75" -10 GR B	93400492	4	0.13 [0.05]
13	Screw Hex Cap .50" -13 x 1.75" Long GR-5 ZC	XB-HHC-001-33	2	0.11 [0.05]
14	Nut, Flange .50"-13 GR B - Swing Align	93400623	2	0.32 [0.15]
	Nut, Flange .50"-13 GR B - Air Spring		2	
15	Air Spring Top Mounting Nut .75" -16 GR B	93400149	4	0.12 [0.05]
16	Bushing	90008247	2	3.90 [1.77]
17	Air Spring Assy- 15.5"-17.0" Ride Height	90557372	2	11.25 [5.10]
	Air Spring Assy-18.0" Ride Height	90557194		30.10 [13.65]
18	Air Spring Mounting Washer .76" I.D. x 1.27" O.D.	93600077	4	0.04 [0.02]

CBX40 W/265 FUSION AXLE AND BEAM CHART #1				
SPINDLE TYPE	DESCRIPTION	CAM BRAKED ONLY, NO PSI PREP, 16X7 BRAKE, NO CAM ENCLOSURES, MID CAMS	QTY	WEIGHT LBS. [KG]
Tapered	Braked Beam and Axle Assy, 77.5" Axle Track 42" Beam Centers	64710525090	1	417.00 [189.15]
Parallel	Braked Beam and Axle Assy, 77.5" Axle Track 42" Beam Centers	64710565090	1	414.00 [187.79]

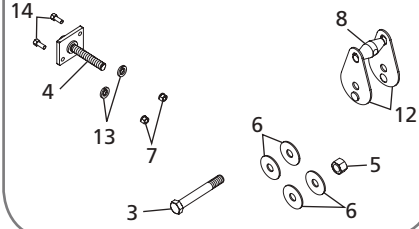
48100394
Pivot Connection Replacement Kit



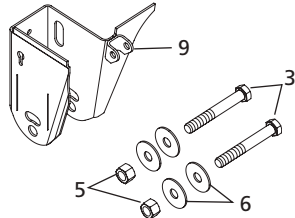
48100395
SwingAlign Frame Bracket



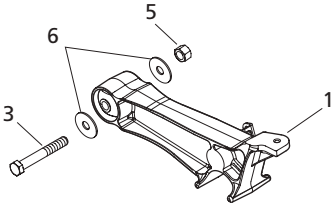
48100406
SwingAlign Replacement Kit



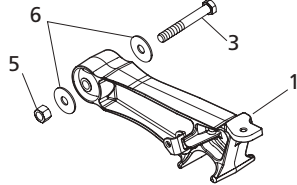
48100396
Fixed Frame Bracket



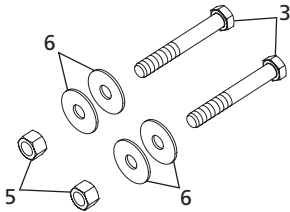
48100449
Roadside Equalizing Beam



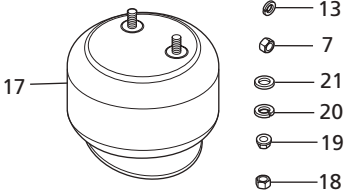
48100450
Curbside Equalizing Beam



48100471
Pivot Connection Kit

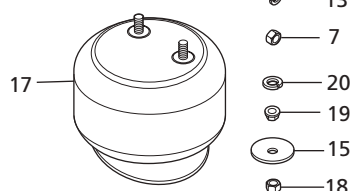


48100492
Air Spring Kit, 15.5" & 16.0" Ride Height



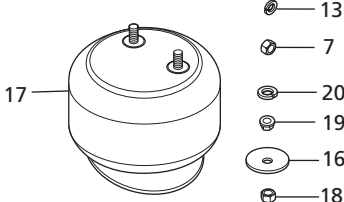
- 13
- 7
- 21
- 20
- 19
- 18

48100493
Air Spring Kit, 16.5" Ride Height



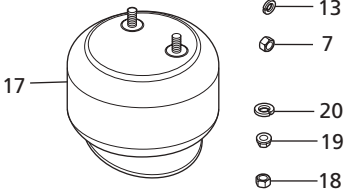
- 13
- 7
- 20
- 19
- 15
- 18

48100494
Air Spring Kit, 17" Ride Height



- 13
- 7
- 20
- 19
- 16
- 18

48100495
Air Spring Kit, 18" Ride Height



- 13
- 7
- 20
- 19
- 18

SERVICE REPAIR KIT BOM- FOR CB400 MODELS ONLY

ITEM	DESCRIPTION	PART NUMBER	QTY.	WEIGHT LBS. [KG]
1*	Cast Beam Sub Assembly - LH	90548008	1	59.50 [26.99]
2*	Cast Beam Sub Assembly- RH	90548009	1	59.50 [26.99]
3	Bolt,Hex,1.12-7X8.0 Gr 8	93201070	2	2.69 [1.22]
4	Threaded Rod Assy 1.00" x 5.98" Long	90548007	1	3.52 [1.60]
5	Nut, Hex Lock 1.13" - 7 GR-C	93400506	2	0.38 [0.17]
6	Washer 1.14" I.D. x 3.50" O.D.	93600553	4	0.46 [0.21]
7	Nut Hex.50"-13 GR B	93400136	2	0.40 [0.18]
8	Swing Align Yoke	90045491	1	2.54 [1.15]
9	Frame Bracket, Curbside	90521743	1	23.20 [10.52]
10	Frame Bracket, Roadside	90521742	1	18.93 [8.59]
11	Rubber Bushing	90008247	2	3.90 [1.77]
12	Plate Weldment	90531339	2	2.23 [1.01]
13	Washer Lock .51" I.D. x .87" O.D.	93600072	2	0.02 [0.01]
14	Screw Cap Hex .50"-13 X 1.75" Long GR-5	XB-HHC-001-33	2	0.11 [0.05]
15	Spacer .56" I.D. x 3.50" O.D. x .62" Thick	90036274	1	1.65 [0.75]
16	Spacer .56" I.D. x 3.50" O.D. x 1.22" Thick	90036275	1	3.25 [1.47]
17	Air Spring Assembly	50857000	1	11.25 [5.10]
18	Nut Hex.75"-16 GR B	93400149	1	0.12 [0.05]
19	Nut, Flange .50"-13 GR B - Air Spring	93400623	1	0.32 [0.15]
20	Washer Lock .76" I.D. x 1.27" O.D.	93600077	1	0.04 [0.02]
21	Washer .52" I.D. x 3.50" O.D.	93600560	1	0.50 [0.23]

* Not for individual sale

Height Control Valve (HCV)

HEIGHT CONTROL VALVE KIT			
ITEM	DESCRIPTION	PART NUMBER	WEIGHT LBS. [KG]
28	Max-Valve™ HCV - Non Dump	50860013	1.90 [0.86]
	Max-Valve™ HCV - Pressure Dump	50860014	2.10 [0.95]
	Max-Valve™ HCV - Zero Pressure Dump Normal Flow	50860015	2.00 [0.91]
	Max-Valve™ HCV - Zero Pressure Dump Low Flow	50860016	2.00 [0.91]

*All valves are set up for .38" fittings.

NOTE: Do not use the high flow valve when the trailer is equipped with PosiLok™ System.



Adjustable Height Control Linkage Kit

PART NUMBER	DESCRIPTION	WEIGHT LBS. [KG]
50860006	Adjustable Height Control Linkage Kit	2.00 [0.91]



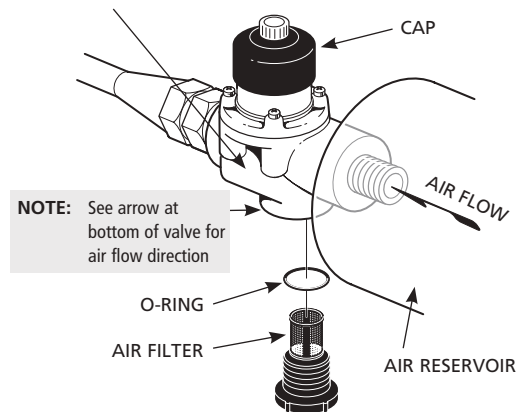
Pressure Protection Valve

DESCRIPTION	PART NUMBER	WEIGHT LBS. [KG]
Pressure Protection Valve	90560150	N/A
Optional Pressure Protection Valve	90554107	0.50 [0.23]



Optional Pressure Protection Valve

OPTIONAL PRESSURE PROTECTION VALVE



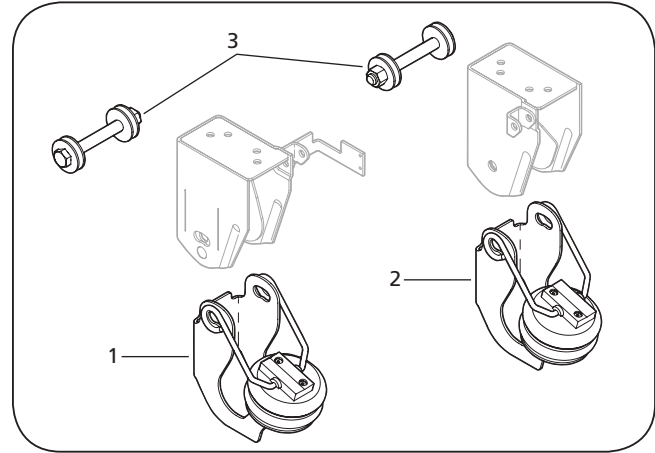
THIS PAGE INTENTIONALLY LEFT BLANK

PosiLift™ Air Lift Kit

Part Number: 44100135*

ITEM	DESCRIPTION	PART NUMBER	QTY.	WEIGHT LBS. [KG]
1	Lift Assembly - Roadside Axle	90548535	1	22.00 [9.98]
2	Lift Assembly - Curbside Axle	90548537	1	22.00 [9.98]
3	Fastener Kit	11005156	1	11.80 [5.35]
	Literature Kit - PosiLift™ Air Lift	XM-44000069	1	N/A

NOTE: This is a complete PosiLift™ kit.

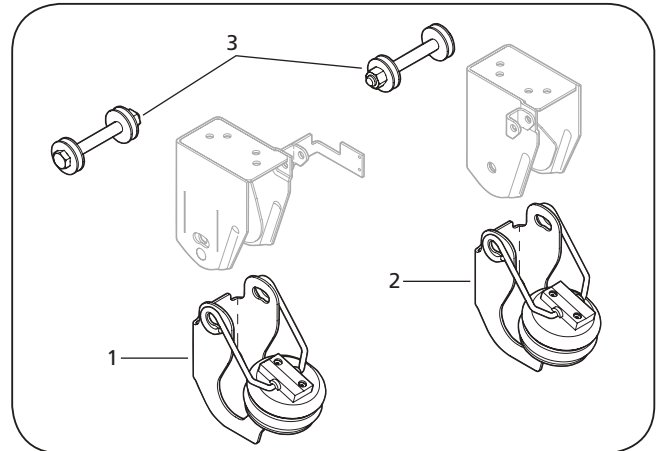


PosiLift™ Air Lift Kit

Part Number: 44100160*

ITEM	DESCRIPTION	PART NUMBER	QTY.	WEIGHT LBS. [KG]
1	Lift Assembly - Roadside Axle	90550292	1	22.00 [9.98]
2	Lift Assembly - Curbside Axle	90550293	1	22.00 [9.98]
3	Fastener Kit	11005156	1	11.80 [5.35]
	Literature Kit - PosiLift™ Air Lift	XM-44000089	1	N/A

NOTE: This is a complete PosiLift™ kit.



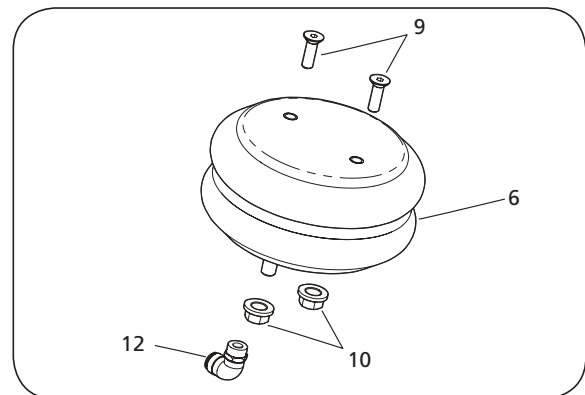
PosiLift™ Airspring Replacement Kit

Part Number: 48100497

SRK-631

ITEM	DESCRIPTION	PART NUMBER	QTY.	WEIGHT LBS. [KG]
6	Air Spring	90557366	1	8.00 [3.63]
9	Flat-Head Cap Screw	93006039	2	N/A
10	Nut, Flange .50"-13 GR B - Air Spring	93400623	2	0.32 [0.15]
12	Elbow Fitting	XB-09226	1	0.02 [0.01]
	Literature Kit	XM-44000069	1	N/A

NOTE: This kit is for one side of axle only.

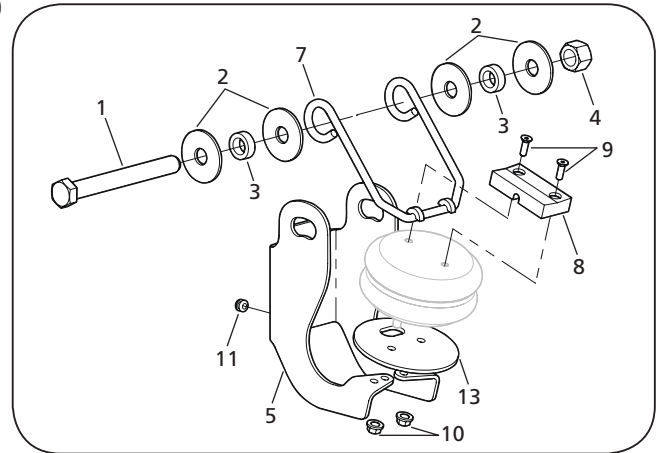


PosiLift™ Bracket Replacement Kit

Part Number: 48100496

SRK-630

ITEM	DESCRIPTION	PART NUMBER	QTY.	WEIGHT LBS. [KG]
1	Pivot Bolt - 1.13"-7 x 10"	93201072	1	3.20 [1.45]
2	Washer	93600553	4	0.46 [0.21]
3	Spacer 1.13" - 7	93900295	2	0.24 [0.11]
4	Nut,Hex,Lock 1.13-7 GR C	93400506	1	0.38 [0.17]
5	Pivot Mount Bracket	90026334	1	11.00 [4.99]
7	Guide Arm	90506037	1	2.00 [0.91]
8	Bearing Block	90045590	1	0.50 [0.23]
9	Flat-Head Cap Screw	93006039	2	0.01 [0.05]
10	Nut, Flange .50"-13 GR B - Swing Align	93400623	2	0.32 [0.15]
11	Grommet	90045591	1	0.01 [0.05]
13	Air Spring Mounting Plate	90034803	1	2.57 [1.17]
	Literature Kit	XM-44000069	1	N/A



NOTE: This kit is for one side of axle only.

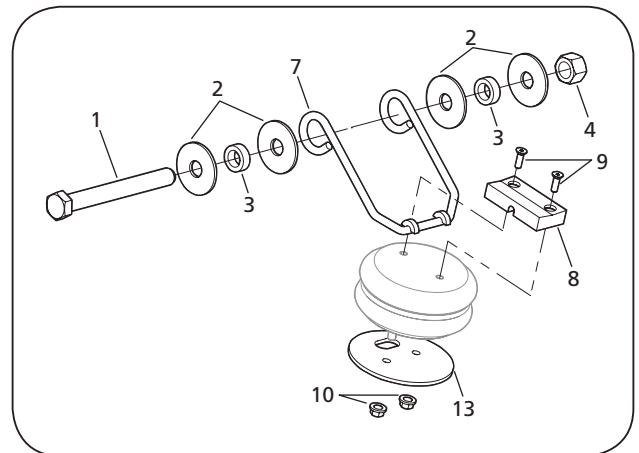
PosiLift™

PosiLift™ Guide Arm and Bearing Block Replacement Kit

Part Number: 48100498

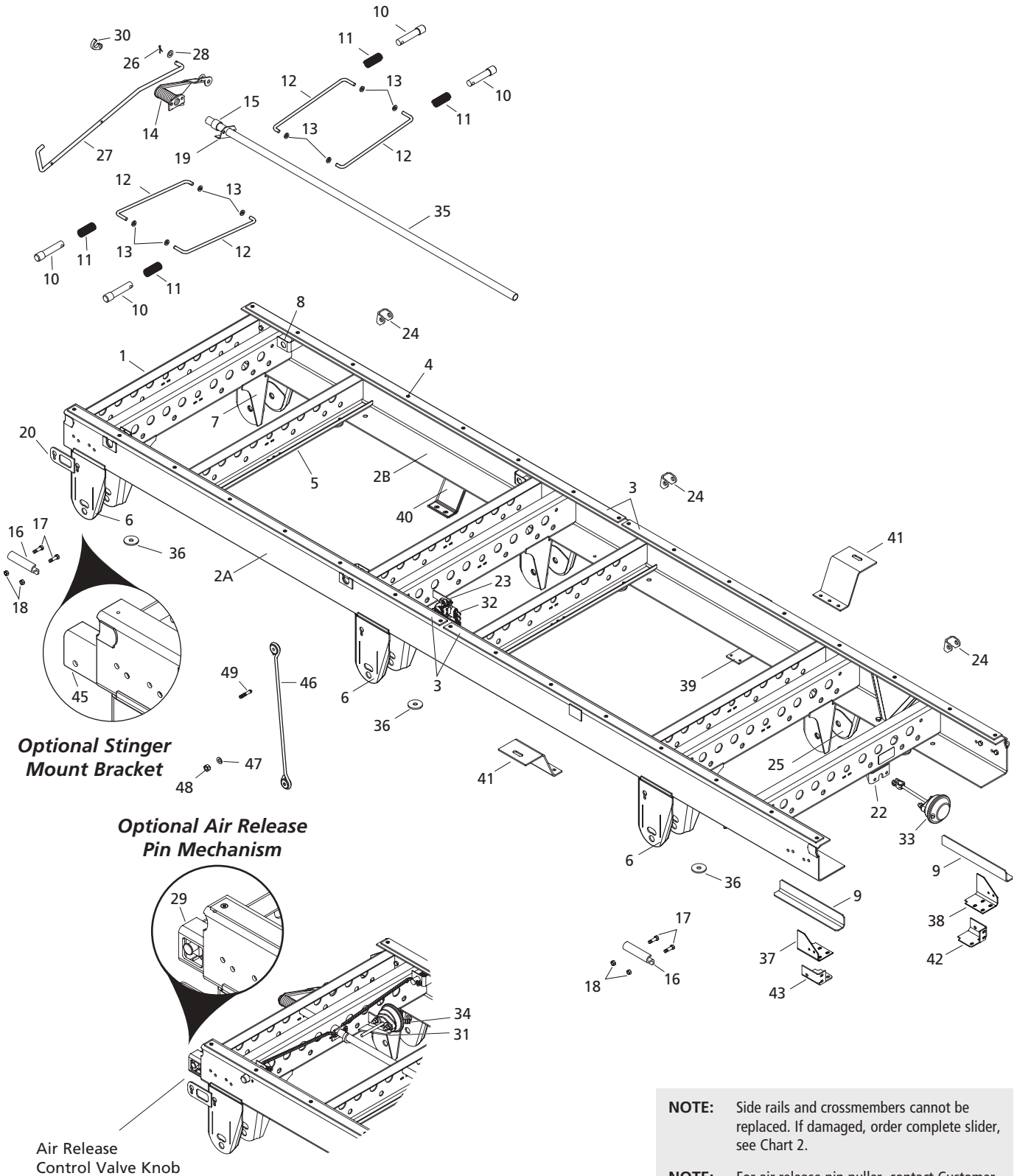
SRK-632

ITEM	DESCRIPTION	PART NUMBER	QTY.	WEIGHT LBS. [KG]
1	Pivot Bolt - 1.13"- 7 x 10"	93201072	1	3.20 [1.45]
2	Washer	93600553	4	0.46 [0.21]
3	Spacer	93900295	2	0.24 [0.11]
4	Nut,Hex,Lock 1.13-7 GR C	93400506	1	0.38 [0.17]
7	Guide Arm	90506037	1	2.00 [0.91]
8	Bearing Block	90045590	1	0.50 [0.23]
9	Flat-Head Cap Screw	93006039	2	N/A
10	Nut, Flange .50"-13 GR B - Air Spring	93400623	2	0.32 [0.15]
13	Air Spring Mounting Plate	90034803	1	2.57 [1.17]
	Literature Kit	XM-44000069	1	N/A



NOTE: This kit is for one side of axle only.

CBX69 Slider Box Exploded View



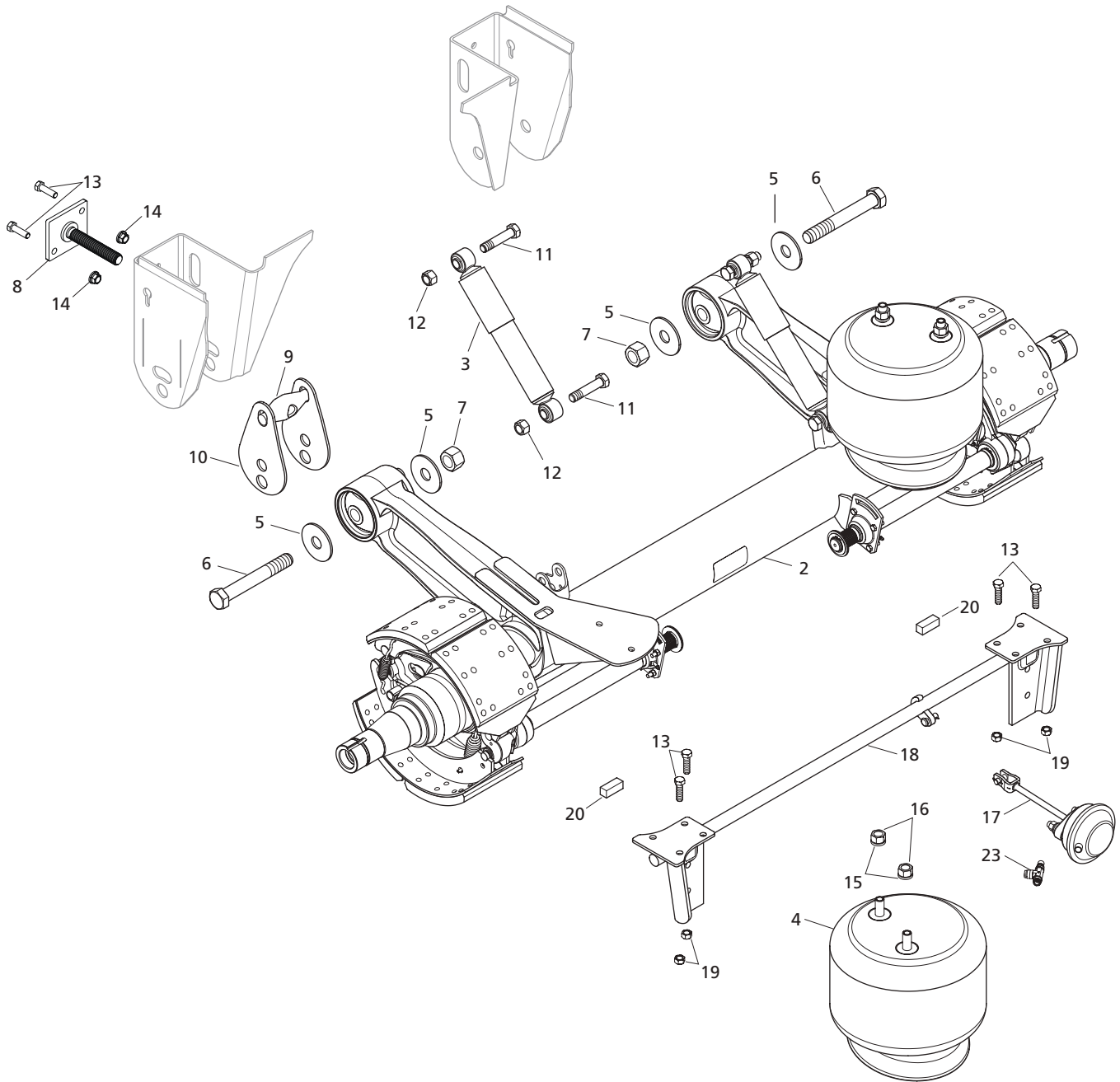
NOTE: Side rails and crossmembers cannot be replaced. If damaged, order complete slider, see Chart 2.

NOTE: For air release pin puller, contact Customer Service Department at 800.876.3929.

CB69 SLIDER BOX LIST				
ITEM	DESCRIPTION	PART NUMBER	QTY PER SLIDER	WEIGHT LBS. [KG]
1	Slider System CBX69	See Chart #2	1	See Chart #2
2A	Sidesill Assembly, 191.5" - LH	SLOA1521-01	1	231.00 [104.78]
2B	Sidesill Assembly, 191.5" - RH	SLOA1521-02	1	231.00 [104.78]
3	Block, Slide	XB-SLOA1054	4	1.58 [0.72]
4	Screw, .31-18 X.75 Flat HD Torx	XB-ST5-008-16	32	0.02 [0.01]
5	Crossmember	SLOA1515-01	9	31.50 [14.29]
6	Side Plate, Hanger - LH	90026151	3	18.50 [8.39]
7	Side Plate, Hanger - RH	90026152	3	18.50 [8.39]
8	Angle, Lock Pin	90026615	4	0.47 [0.21]
9	Support, Rear Stop Bar	SLOA1300-02	2	3.92 [1.78]
10	Pin, Lock (Inside Shims Style Slider Assembly)	SLOA1238	4	1.92 [0.87]
	Pin, Lock (Hutch Style Slider Assembly)	SLOA1261	4	2.15 [0.98]
11	Spring, Compression	XB-SPG-020-35	4	0.25 [0.11]
12	Link Arm	SLOA1417-48	4	0.85 [0.39]
13	Washer, Flat	XB-PW-016-85	8	0.03 [0.01]
14	Torsion Cam	SLOA1274	2	0.37 [0.17]
15	Spacer (For Air Release Brackets)	SL0523-07	2	0.24 [0.11]
	Spacer (For Mechanical Release Brackets)	SL0523-07	1	0.24 [0.11]
16	Hold Down Clip	90015150	4	2.30 [1.04]
17	Screw, Hex Head - Holddown	XB-HHC-001-33	8	0.11 [0.05]
18	Nut, Lock .50-13 Prevail Torq GR B	XB-SLN-012-42	8	0.03 [0.01]
19	Torsion Cam W/A	SLOA1510-02	1	13.30 [6.03]
20	Bracket, Pull Handle	90034886	1	0.73 [0.33]
22	Bracket, Brake Chamber	SLOA1230	1	0.76 [0.34]
23	Bracket, H.C.V. Mounting	90034541	1	0.60 [0.27]
24	Shock Bracket	90018621	6	0.59 [0.27]
25	Plate	90034537	6	1.28 [0.58]
26	Pin, Cotter .19 DIA X 1.50 LG	XB-CTP-014-59	1	0.01 [0.005]
27	Arm, Pull	SLOA1445-01	1	3.79 [1.72]
28	Washer, FL.63 STD	XB-PW-016-08	1	0.03 [0.01]
29	Bracket Assembly, Valve	SLOA1484	1	2.80 [1.27]
30	Cam, Spring Brake	90045547	1	0.30 [0.14]
31	Bracket, Spring Brake	90026227	1	1.40 [0.64]
32	Valve, Air Release - W/ Fittings	90560012	1	0.81 [0.37]
33	Spring, Brake	90548040	1	4.32 [1.96]
34	Male Connector - Push-Connect	93800329	1	0.06 [0.03]
35	Camshaft	SL0518-62	1	9.62 [4.36]
36	Shim, Air Spring Mounting	90036290	6	0.36 [0.16]
37	Angle, Formed	SLOA1307-01	2	1.74 [0.79]
38	Angle, Formed	SLOA1307-02	1	1.74 [0.79]
39	Bracket, Air Tank Mounting	SLOA1429	2	1.98 [0.90]
40	Bracket Assembly, Air Tank (Inside Shims Style Slider Assembly)	SLOA1398	2	4.47 [2.03]
	Bracket Assembly, Air Tank (Hutch Style Slider Assembly)	SLOA1476-04	4	3.60 [1.63]
41	Bracket Assembly, Air Tank (Hutch Style Slider Assembly)	SLOA1525	4	7.20 [3.27]
42	Bracket, Mud Flap (Hutch Style Slider Assembly)	SLOA1482-01	1	1.50 [0.68]
43	Bracket, Mud Flap (Hutch Style Slider Assembly)	SLOA1482-02	1	1.50 [0.68]
45	Channel, Stinger Mounting (Hutch Style Slider Assembly)	SLOA1324	1	3.61 [1.64]
46	Linkage Assembly, Double Loop	90560124	1	N/A
47	Washer, Split Lock .28 ID	93600041	4	0.01 [0.005]
48	Nut, Hex.,25-20 GR B	93400120	4	0.01 [0.005]
49	Pin, Link	93900297	2	0.02 [0.01]

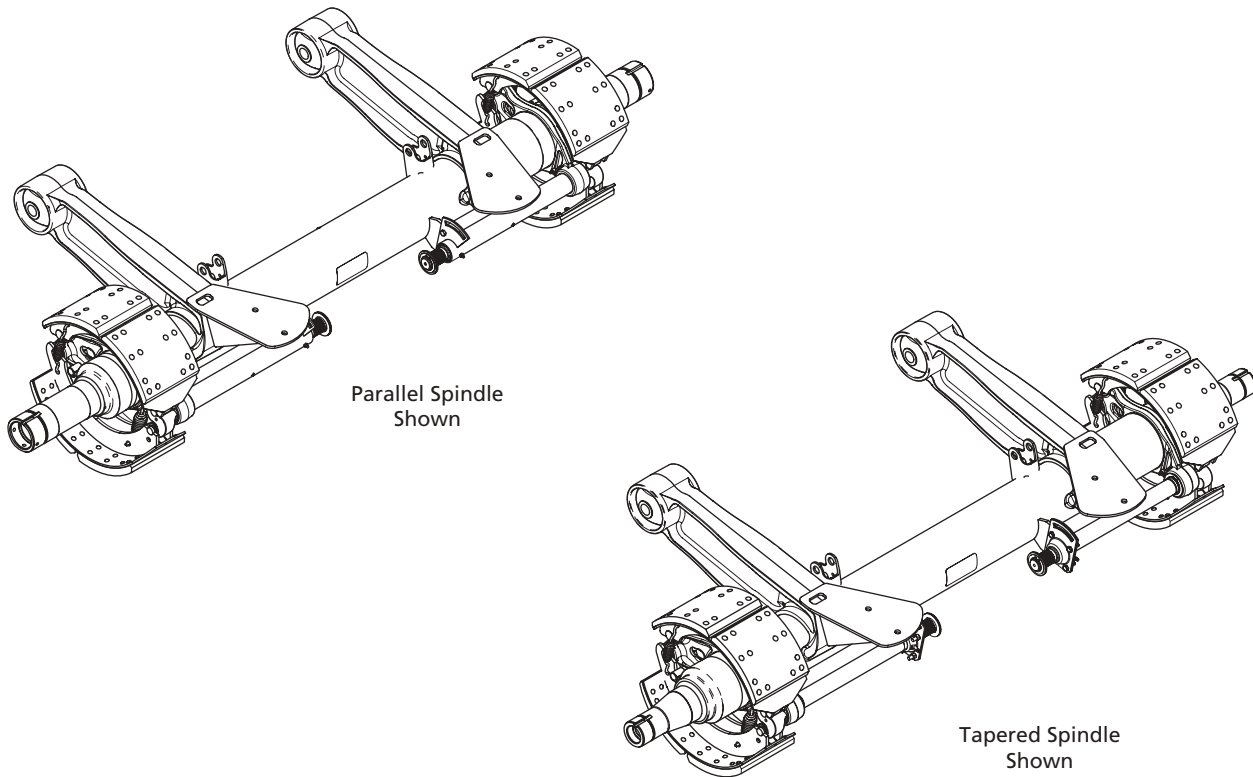
CBX69 SLIDER ASS'Y, 72" TRI-AXLE SPACING, CHART 2					
	DESCRIPTION	MECHANICAL RELEASE	WEIGHT LBS [KG]	AIR RELEASE	WEIGHT LBS [KG]
1	Inside Shims	90549897	930.00 [421.84]	90549900	948.00 [430.01]
	Hutch Style	Contact SAF Holland	N/A	90549956	949.00 [430.46]

CBX69 Exploded View



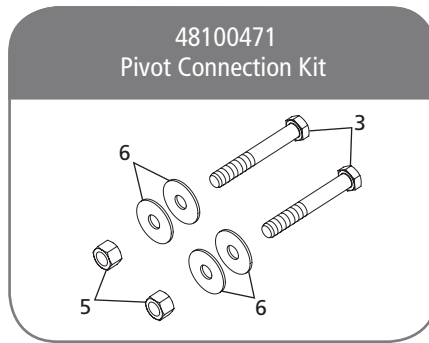
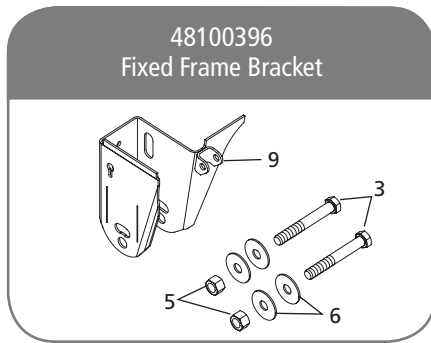
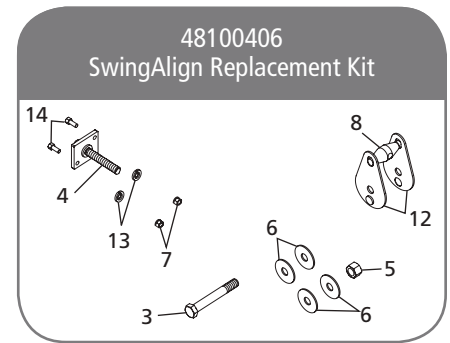
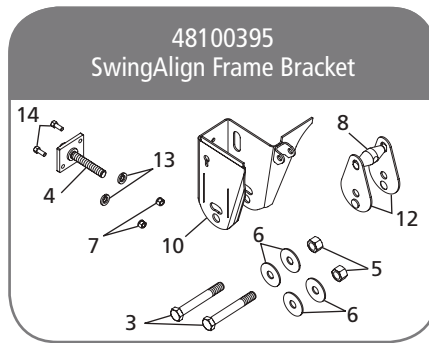
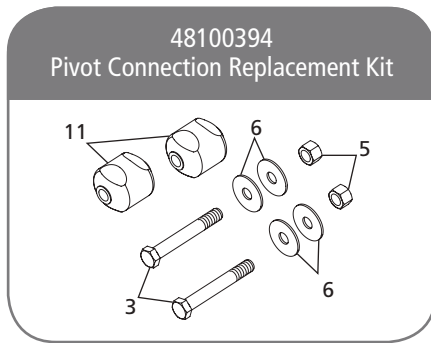
CBX69 PARTS LIST

ITEM	DESCRIPTION	PART NUMBER	QTY PER AXLE	WEIGHT LBS. [KG]
2	Beam & Axle Assembly, Braked - Rear	SEE CHART #1	1	N/A
	Beam & Axle Assembly, Braked - Front & Middle	SEE CHART #1	2	N/A
3	Shock Absorber	90045669	6	4.31 [1.95]
4	Air Spring Assembly, 16.5" Ride Height	90557421	6	6.68 [3.03]
	Air Spring Assembly, 16" Ride Height	90557419		6.47 [2.93]
5	Washer	93600553	12	0.46 [0.21]
6	Bolt, Hex, 1.12-7X8.0 Gr 8	93201070	6	2.69 [1.22]
7	Nut, Hex Lock 1.13" - 7 GR-C	93400506	6	0.38 [0.17]
8	Threaded Rod Assembly	90548007	3	3.52 [1.60]
9	Yoke, Swing Align	90045491	3	2.54 [1.15]
10	Plate Weldment	90531339	6	2.23 [1.01]
11	Bolt, Hex, .75-10 X 3.50 GR 5	93006035	12	0.56 [0.25]
12	Nut, Hex, .75-10 GR B	93400492	12	0.13 [0.06]
13	Screw, Hex Cap, .5-13 X 1.75 GR-5 Zinc	XB-HHC-001-33	6	0.11 [0.05]
14	Nut, Flange .50"-13 GR B - Swing Align	93400623	12	0.32 [0.15]
15	Washer, Lock, .75	93600077	12	0.04 [0.02]
16	Nut, Hex, .75-16 GR B	93400149	12	0.12 [0.05]
17	Spring Brake Service Chamber	90548040	1	4.32 [1.96]
18	Rod Ass'y Main, 16.5" Ride Height	90549906	1	27.40 [12.43]
	Rod Ass'y Main, 16" Ride Height	90549888		26.80 [12.16]
19	Nut, Lock .50-13 Plain Prevail Torq GR-B	XB-SLN-012-42	4	0.03 [0.01]
20	Block	90034559	2	0.32 [0.15]
23	Fitting, Male Run Tee	93800331	1	0.30 [0.14]



AXLE AND BEAM CHART #1 FOR FUSION CBX69

SPINDLE TYPE	DESCRIPTION	BRAKED BEAM & AXLE ASS'Y - FRONT & MIDDLE	WEIGHT LBS. [KG]	BRAKED BEAM & AXLE ASS'Y - REAR	WEIGHT LBS. [KG]
Parallel	Braked Beam and Axle Assy. 77.5" Axle Track 42" Beam Centers	1004300009440	433.00 [196.41]	1004300009440	433.00 [196.41]
Parallel	Braked Beam and Axle Assy. 77.5" Axle Track 42" Beam Centers	34790245090	424.00 [192.32]	34790245090	424.00 [192.32]
Parallel	Braked Beam and Axle Assy. 77.5" Axle Track 42" Beam Centers	34790205090	424.00 [192.32]	34790205090	424.00 [192.32]
Parallel	Braked Beam and Axle Assy. 77.5" Axle Track 42" Beam Centers	34790205090	424.00 [192.32]	1004300007320	433.00 [196.41]
Taper	Braked Beam and Axle Assy. 77.5" Axle Track 42" Beam Centers	34790045090	427.00 [193.68]	1004300003980	432.00 [195.95]
Taper	Braked Beam and Axle Assy. 77.5" Axle Track 42" Beam Centers	34790045090	427.00 [193.68]	34790045090	427.00 [193.68]



SERVICE REPAIR KIT BOM- FOR CB400 MODELS ONLY				
ITEM	DESCRIPTION	PART NUMBER	QTY.	WEIGHT LBS. [KG]
1*	Cast Beam Sub Assembly - LH	90548008	1	59.50 [26.99]
2*	Cast Beam Sub Assembly- RH	90548009	1	59.50 [26.99]
3	Bolt,Hex,1.12-7X8.0 Gr 8	93201070	2	2.69 [1.22]
4	Threaded Rod Assy 1.00" x 5.98" Long	90548007	1	3.52 [1.60]
5	Nut, Hex Lock 1.13" - 7 GR-C	93400506	2	0.38 [0.17]
6	Washer 1.14" I.D. x 3.50" O.D.	93600553	4	0.46 [0.21]
7	Nut Hex.50"-13 GR B	93400136	2	0.40 [0.18]
8	Swing Align Yoke	90045491	1	2.54 [1.15]
9	Frame Bracket, Curbside	90521743	1	23.20 [10.52]
10	Frame Bracket, Roadside	90521742	1	18.93 [8.59]
11	Rubber Bushing	90008247	2	3.90 [1.77]
12	Plate Weldment	90531339	2	2.23 [1.01]
13	Washer Lock 0.51" I.D. x 0.87" O.D.	93600072	2	0.02 [0.01]

* Not for individual sale

Height Control Valve (HCV)

HEIGHT CONTROL VALVE KIT			
ITEM	DESCRIPTION	PART NUMBER	WEIGHT LBS. [KG]
28	Max-Valve™ HCV - Non Dump	50860013	1.90 [0.86]
	Max-Valve™ HCV - Pressure Dump	50860014	2.10 [0.95]
	Max-Valve™ HCV - Zero Pressure Dump Normal Flow	50860015	2.00 [0.91]
	Max-Valve™ HCV - Zero Pressure Dump Low Flow	50860016	2.00 [0.91]

*All valves are set up for .38" fittings.

NOTE: Do not use the high flow valve when the trailer is equipped with PosiLok™ System.



Adjustable Height Control Linkage Kit

PART NUMBER	DESCRIPTION	WEIGHT LBS. [KG]
50860006	Adjustable Height Control Linkage Kit	2.00 [0.91]



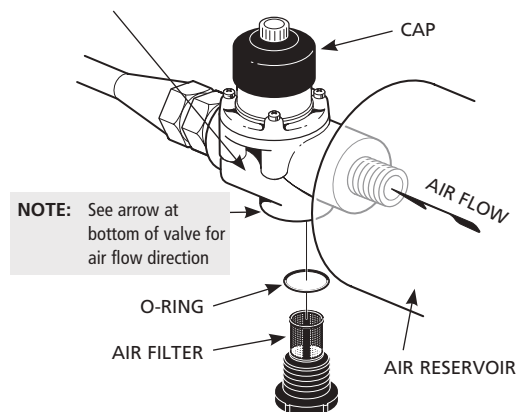
Pressure Protection Valve

DESCRIPTION	PART NUMBER	WEIGHT LBS. [KG]
Pressure Protection Valve	90560150	N/A
Optional Pressure Protection Valve	90554107	0.50 [0.23]



Optional Pressure Protection Valve

OPTIONAL PRESSURE PROTECTION VALVE



THIS PAGE INTENTIONALLY LEFT BLANK

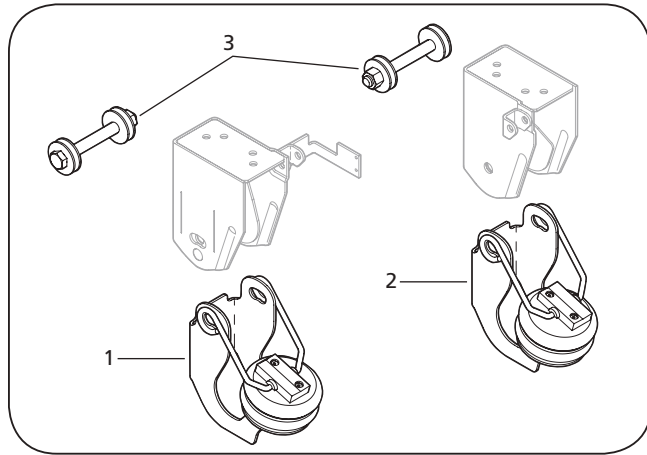
PosiLift™ Air Lift Kit

Part Number: 44100135*

ITEM	DESCRIPTION	PART NUMBER	QTY.	WEIGHT LBS. [KG]
1	Lift Assembly - Roadside Axle	90548535	1	22.00 [9.98]
2	Lift Assembly - Curbside Axle	90548537	1	22.00 [9.98]
3	Fastener Kit	11005156	1	11.80 [5.35]
	Literature Kit - PosiLift™ Air Lift	XM-44000069	1	N/A

* Not available for Disc Brakes on CBX25 338 and CBX 25/30 245 Suspensions.

NOTE: This is a complete PosiLift™ kit.



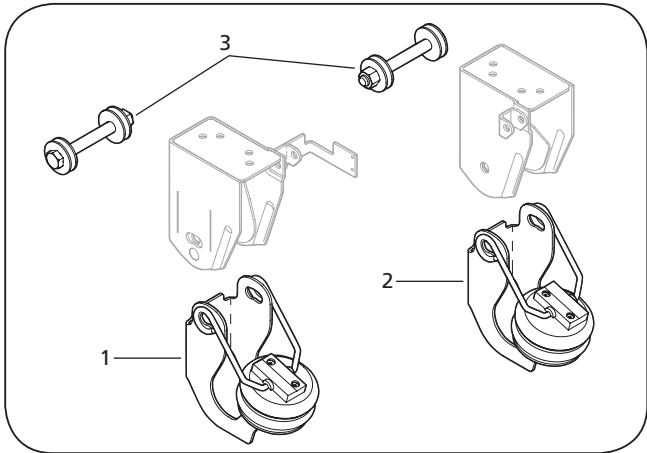
PosiLift™ Air Lift Kit

Part Number: 44100160*

ITEM	DESCRIPTION	PART NUMBER	QTY.	WEIGHT LBS. [KG]
1	Lift Assembly - Roadside Axle	90550292	1	22.00 [9.98]
2	Lift Assembly - Curbside Axle	90550293	1	22.00 [9.98]
3	Fastener Kit	11005156	1	11.80 [5.35]
	Literature Kit - PosiLift™ Air Lift	XM-44000089	1	N/A

* Not available for Disc Brakes on CBX25 338 and CBX 25/30 245 Suspensions.

NOTE: This is a complete PosiLift™ kit.



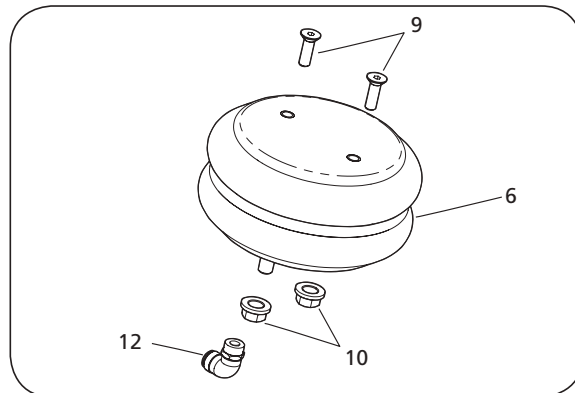
PosiLift™ Airspring Replacement Kit

Part Number: 48100497

SRK-631

ITEM	DESCRIPTION	PART NUMBER	QTY.	WEIGHT LBS. [KG]
6	Air Spring	90557366	1	8.00 [3.63]
9	Flat-Head Cap Screw	93006039	2	N/A
10	Nut, Flange .50"-13 GR B - Air Spring	93400623	2	0.32 [0.15]
12	Elbow Fitting	XB-09226	1	0.02 [0.01]
	Literature Kit	XM-44000069	1	N/A

NOTE: This kit is for one side of axle only.

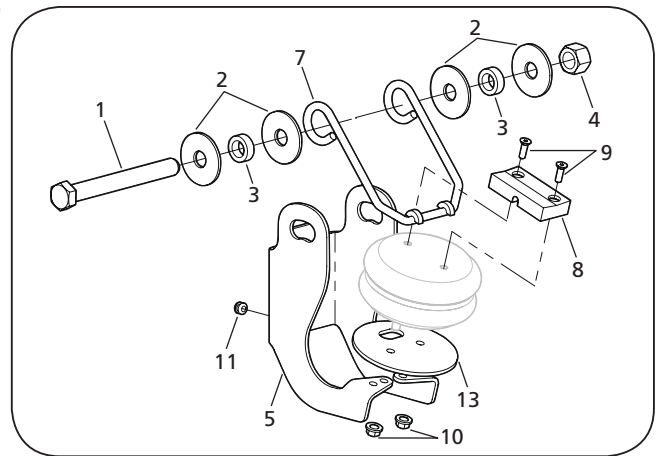


PosiLift™ Bracket Replacement Kit

Part Number: 48100496

SRK-630

ITEM	DESCRIPTION	PART NUMBER	QTY.	WEIGHT LBS. [KG]
1	Pivot Bolt - 1.13"-7 x 10"	93201072	1	3.20 [1.45]
2	Washer	93600553	4	0.46 [0.21]
3	Spacer 1.13" - 7	93900295	2	0.24 [0.11]
4	Nut,Hex,Lock 1.13-7 GR C	93400506	1	0.38 [0.17]
5	Pivot Mount Bracket	90026334	1	11.00 [4.99]
7	Guide Arm	90506037	1	2.00 [0.91]
8	Bearing Block	90045590	1	0.50 [0.23]
9	Flat-Head Cap Screw	93006039	2	0.01 [0.05]
10	Nut, Flange .50"-13 GR B - Swing Align	93400623	2	0.32 [0.15]
11	Grommet	90045591	1	0.01 [0.05]
13	Air Spring Mounting Plate	90034803	1	2.57 [1.17]
	Literature Kit	XM-44000069	1	N/A



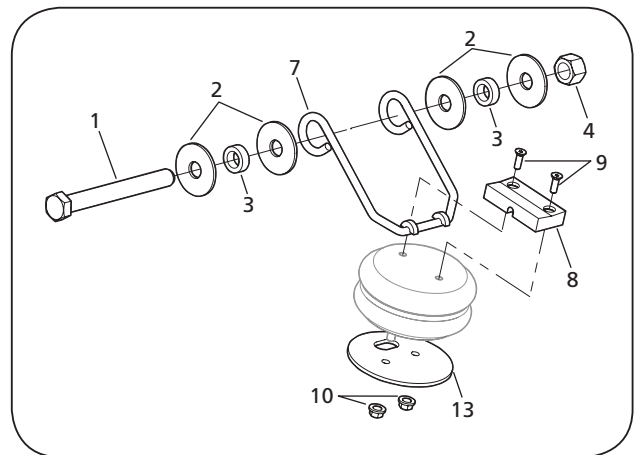
NOTE: This kit is for one side of axle only.

PosiLift™ Guide Arm and Bearing Block Replacement Kit

Part Number: 48100498

SRK-632

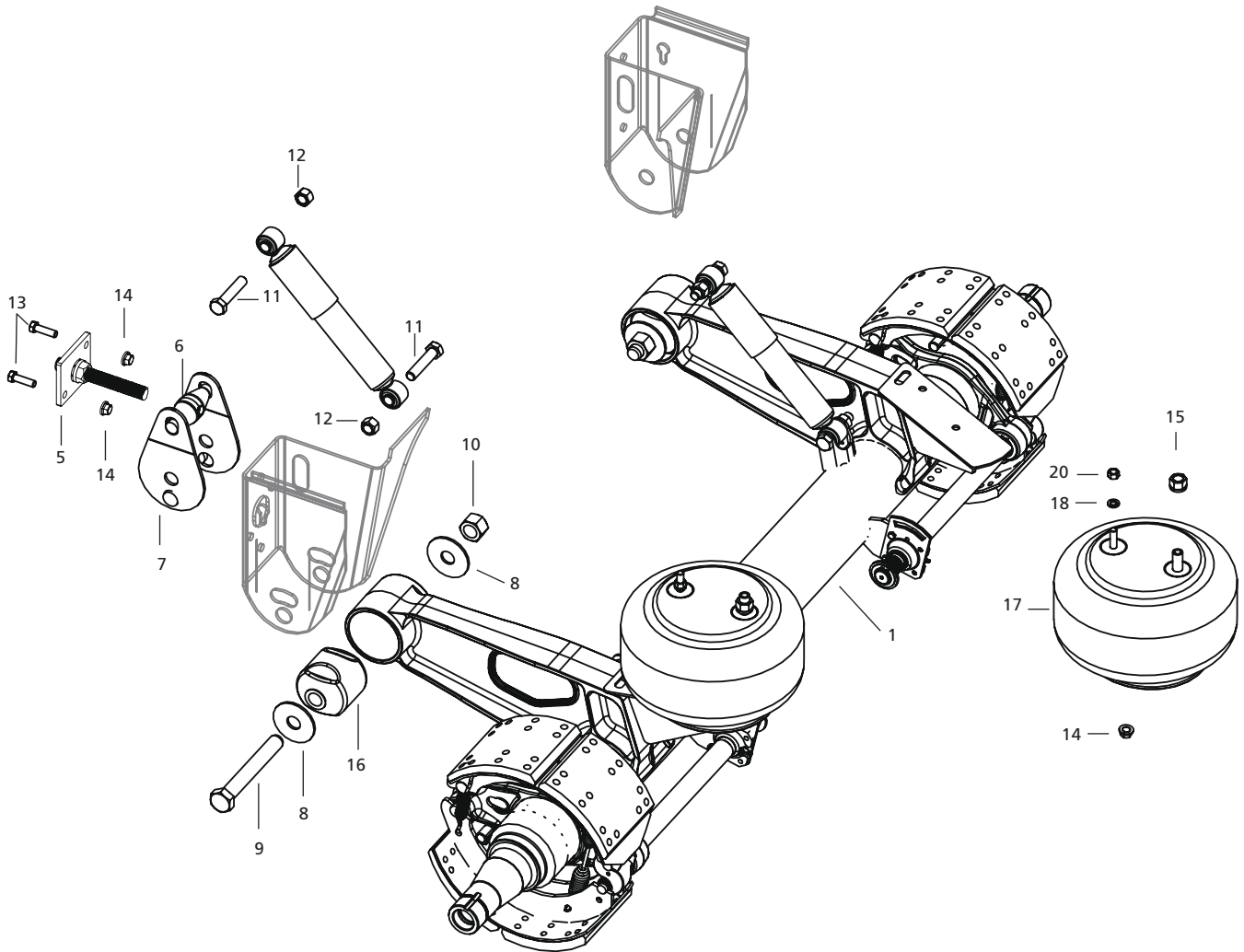
ITEM	DESCRIPTION	PART NUMBER	QTY.	WEIGHT LBS. [KG]
1	Pivot Bolt - 1.13" - 7 x 10"	93201072	1	3.20 [1.45]
2	Washer	93600553	4	0.46 [0.21]
3	Spacer	93900295	2	0.24 [0.11]
4	Nut,Hex,Lock 1.13-7 GR C	93400506	1	0.38 [0.17]
7	Guide Arm	90506037	1	2.00 [0.91]
8	Bearing Block	90045590	1	0.50 [0.23]
9	Flat-Head Cap Screw	93006039	2	N/A
10	Nut, Flange .50"-13 GR B - Air Spring	93400623	2	0.32 [0.15]
13	Air Spring Mounting Plate	90034803	1	2.57 [1.17]
	Literature Kit	XM-44000069	1	N/A



NOTE: This kit is for one side of axle only.

CBX46 SLIDER BOX LIST				
ITEM	DESCRIPTION	PART NUMBER	QTY PER SLIDER	WEIGHT LBS. [KG]
1	Slider Assy, Binkley Outside Shims	90550190	1	519.60 [235.69]
	Slider Assy, Binkley Inside Shims	90550193	1	518.40 [235.14]
	Slider Assembly, Hutch	90550196	1	520.30 [236.00]
2	Frame Bracket, Right Hand, See 48100396	90521742	1	18.93 [8.59]
3	Frame Bracket, Left Hand - SwingAlign, See 48100395	90521743	1	23.20 [10.52]
4	Hold Down Bracket	90015150	4	1.50 [0.68]
5	Torsion Cam	SLOA1277-01	1	2.30 [1.04]
6	Washer .41" I.D. x .81" O.D.	XB-PW-016-08	1	0.30 [0.14]
7	Cotter Pin .16" x 1.50"	XB-CTP-014-59	1	0.10 [0.05]
8	Cam Plate	SLOA1274	2	0.37 [0.17]
9	Pin, Step Lock 1.63" x 6.38" Long (Hutch Style)	SLOA1261	4	2.15 [0.98]
	Pin, Lock 1.38" x 6.75" Long (All others)	SLOA1238	4	1.92 [0.87]
10	Spring, Compression	XB-SPG-020-35	4	0.25 [0.11]
11	Arm, Pull 42" Slide Box	SLOA1445-02	1	3.56 [1.61]
	Arm, Pull 48" Slide Box	SLOA1445-01	1	3.79 [1.72]
12	Arm, Linkage 14.96" for 42" Slide Box	SLOA1550-01	1	0.53
	Arm, Linkage 17.96" for 48" Slide Box	SLOA1550	1	0.64
13	Washer, Flat .19" x .44" I.D. x 1.0" O.D.	2082100000100	8	0.05
14	Lock, Slide	XB-SLOA1054	2	1.60 [0.73]
15	Spacer ,Tube 1.25"	SLO523-07	1	0.24 [0.11]
16	Screw .32"-18 x .75" Flat HD	XB-STS-008-16	16	0.02 [0.01]
17	Cap Screw, Hex HD .50"-13 x 1.75" Long GR5	XB-HHC-001-33	8	0.11 [0.05]
18	Nut,Hex .50" -13 GRB	XB-SLN-012-42	8	0.03 [0.01]
19	Bracket, Brake Chamber Posi-Lok	SLOA1230	1	0.76 [0.34]
20	Bracket, Spring Brake Air Release	90026227	1	1.40 [0.64]
21	Bracket, HCV Mounting	90034541	1	0.60 [0.27]
22	Spring Brake Service Chamber for Air Release Pin Mechanism (includes .50"-13 hex nuts)	90548040	1	4.32 [1.96]
	Spring Brake Service Chamber for PosiLok (includes .50"-13 hex nuts)	90548040	1	4.32 [1.96]
23	PosiLok- 48" Wide Slide	90549905	1	26.30 [11.93]
25A	Bracket, AirTank Mounting	SLOA1429	2	1.98 [0.90]
25B	Bracket, AirTank Mounting	SLOA1485	2	2.67 [1.21]
26	Channel, Stinger Mounting	SLOA1324	1	3.61 [1.64]
28	Valve, Height Control	See Page 1-23	1	See Page 1-23
29	Nut, Hex .5-13 GR-B Plain	XB-SLN-012-42	4	0.03 [0.01]
30	Block	90034559	2	0.32 [0.15]
31	Angle, Formed	SLOA1307-01	1	1.74 [0.79]
32	Angle, Formed	SLOA1307-02	1	1.74 [0.79]

CBX46 Exploded View

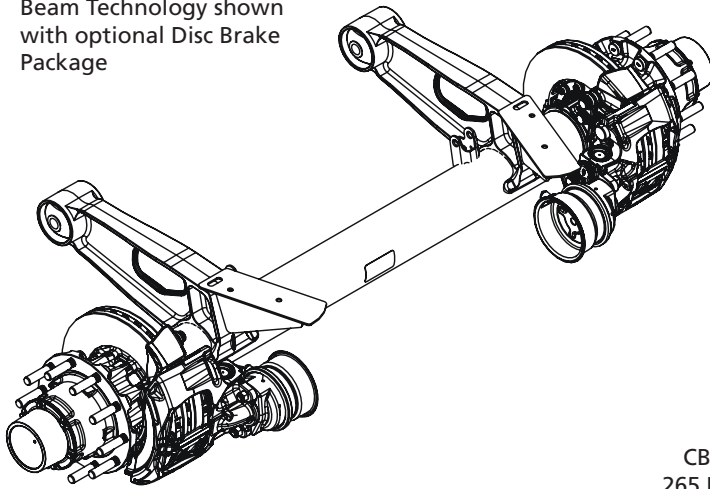


CBX46 PARTS LIST

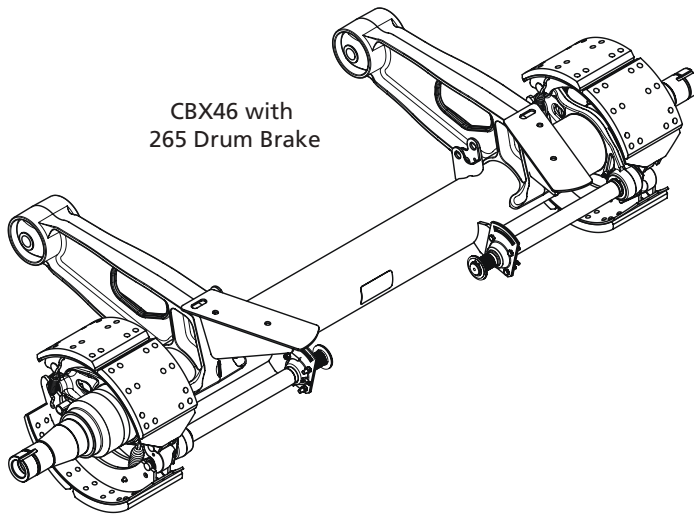
ITEM	DESCRIPTION	PART NUMBER	QTY PER AXLE	WEIGHT LBS. [KG]
1	CBX46 Axle and Beam Assembly	See Chart #1	2	See Chart #1
4	Shock Absorber - 16.0" Ride Height	90045298	4	4.90 [2.22]
	Shock Absorber - 16.5" and 17.0" Ride Height	90044162	4	4.85 [2.20]
5	Threaded Rod Assy	90548007	2	3.52 [1.60]
6	Swing Align Yoke	90045491	2	2.54 [1.15]
7	Plate, Weldment	90531339	4	2.23 [1.01]
8	Washer 1.14" I.D. x 3.50" O.D. Hardened	93600553	8	0.46 [0.21]
9	Bolt, 1.13"-7 x 8.00" Long GR8	93201070	4	2.60 [1.18]
10	Nut, Hex 1.13"-7 GR C	93400506	4	0.38 [0.17]
11	Bolt, Hex .75"-10 X 3.50" Long GR 5	93006035	8	0.56 [0.25]
12	Nut Hex .75"-10 GR B	93400492	8	0.13 [0.06]
13	Screw Hex Cap .50"-13 x 1.75" GR-5 ZC	XB-HHC-001-33	4	0.11 [0.05]
14	Nut, Flange .50"-13 GR B - Swing Align Nut, Flange .50"-13 GR B -Air Spring	93400623	4	0.32 [0.15]
15	Nut, Hex .75"-16 GR B	93400149	4	0.12 [0.05]
16	Bushing, Cast Beam See 48100394	90008247	4	4.71 [2.14]
17	Air Spring Assy- 16.0" Ride Height	90557428	4	10.5 [4.76]
	Air Spring Assy- 16.5" Ride Height			
	Air Spring Assy- 17" Ride Height			
18	Washer .76" I.D. x 1.27" O.D.	93600077	4	0.04 [0.02]
20	Hex Nut .50" -13 GR8	93400136	4	0.40 [0.18]
21	Washer, Lock .78"	93600077	4	0.40 [0.18]
22	Spacer 16.0" Ride Height	-	-	-
	Spacer 16.5" Ride Height	90036274	4	1.65 [0.75]
	Spacer 17.0" Rode Height	90036275	4	3.25 [1.47]

CBX46 Axle and Beam

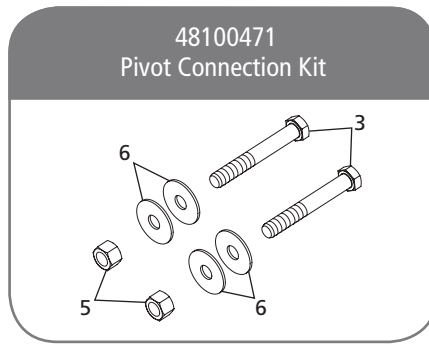
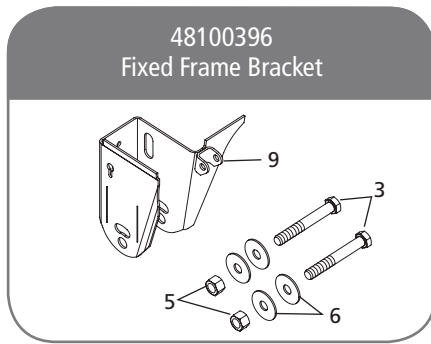
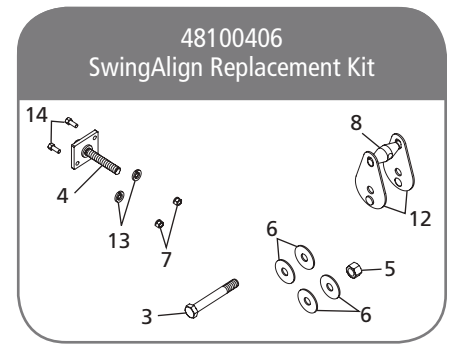
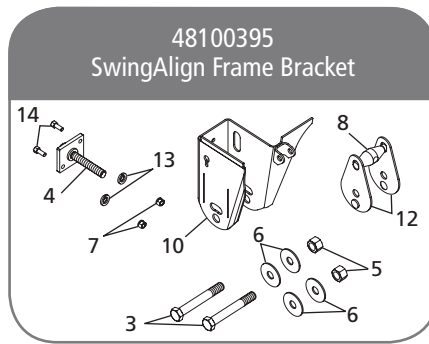
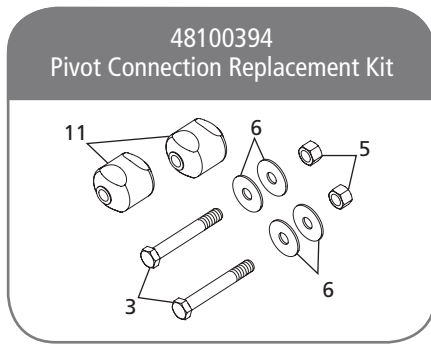
CBX46 with 265 Fusion Beam Technology shown with optional Disc Brake Package



CBX46 with 265 Drum Brake



AXLE AND BEAM CHART #1 CBX46					
SPINDLE TYPE	DESCRIPTION	BEAM AND AXLE ASS'Y - DRUM	WEIGHT LBS. [KG]	BEAM AND AXLE ASS'Y -P89 DISC	WEIGHT LBS. [KG]
Tapered	Beam and Axle Assy. 77.5" Axle Track 42" Beam Centers	2006200008550	284.00 [128.82]	-	N/A
Tapered	Beam and Axle Assy. 77.5" Axle Track 42" Beam Centers	2006200008560	284.00 [128.82]	-	N/A
Tapered	Beam and Axle Assy. 77.5" Axle Track 42" Beam Centers	2006200008570	306.00 [138.80]	-	N/A
Tapered	Beam and Axle Assy. 77.5" Axle Track 42" Beam Centers	2006200008580	306.00 [138.80]	-	N/A
Parallel	Beam and Axle Assy. 77.5" Axle Track 42" Beam Centers	2006200008590	281.00 [127.46]	-	N/A
Parallel	Beam and Axle Assy. 77.5" Axle Track 42" Beam Centers	2006200008600	281.00 [127.46]	-	N/A
Parallel	Beam and Axle Assy. 77.5" Axle Track 42" Beam Centers	2006200008610	303.00 [137.44]	-	N/A
Parallel	Beam and Axle Assy. 77.5" Axle Track 42" Beam Centers	2006200008620	303.00 [137.44]	-	N/A
	Beam and Axle Assy. 71.5" Axle Track 36" Beam Centers	-	N/A	2006200009470	257.00 [116.57]
	Beam and Axle Assy. 77.5" Axle Track 42" Beam Centers	-	N/A	2006200009480	267.00 [121.11]
	Beam and Axle Assy. 71.5" Axle Track 36" Beam Centers	-	N/A	2006200009490	257.00 [116.57]
	Beam and Axle Assy. 77.5" Axle Track 42" Beam Centers	-	N/A	2006200009500	267.00 [121.11]
	Beam and Axle Assy. 71.5" Axle Track 36" Beam Centers	-	N/A	2006200009510	257.00 [116.57]
	Beam and Axle Assy. 77.5" Axle Track 42" Beam Centers	-	N/A	2006200009520	267.00 [121.11]



SERVICE REPAIR KIT BOM

ITEM	DESCRIPTION	PART NUMBER	QTY.	WEIGHT LBS. [KG]
1*	Cast Beam Sub Assembly - LH	90548008	1	59.50 [26.99]
2*	Cast Beam Sub Assembly- RH	90548009	1	59.50 [26.99]
3	Bolt,Hex,1.12-7X8.0 Gr 8	93201070	2	2.69 [1.22]
4	Threaded Rod Assy 1.00" x 5.98" Long	90548007	1	3.52 [1.60]
5	Nut, Hex Lock 1.13" - 7 GR-C	93400506	2	0.38 [0.17]
6	Washer 1.14" I.D. x 3.50" O.D.	93600553	4	0.46 [0.21]
7	Nut Hex.50"-13 GR B	93400136	2	0.40 [0.18]
8	Swing Align Yoke	90045491	1	2.54 [1.15]
9	Frame Bracket, Curbside	90521743	1	23.20 [10.52]
10	Frame Bracket, Roadside	90521742	1	18.93 [8.59]
11	Rubber Bushing	90008247	2	3.90 [1.77]
12	Plate Weldment	90531339	2	2.23 [1.01]
13	Washer Lock .51" I.D. x .87" O.D.	93600072	2	0.02 [0.01]
14	Screw Cap Hex .50"-13 X 1.75" Long GR-5	XB-HHC-001-33	2	0.11 [0.05]
15	Spacer .56" I.D. x 3.50" O.D. x .62" Thick	90036274	1	1.65 [0.75]
16	Spacer .56" I.D. x 3.50" O.D. x 1.22" Thick	90036275	1	3.25 [1.47]
17	Air Spring Assembly	50857000	1	11.25 [5.10]
18	Nut Hex.75"-16 GR B	93400149	1	0.12 [0.05]
19	Nut, Flange .50"-13 GR B - Air Spring	93400623	1	0.32 [0.15]
20	Washer Lock .76" I.D. x 1.27" O.D.	93600077	1	0.04 [0.02]
21	Washer .52" I.D. x 3.50" O.D.	93600560	1	0.50 [0.23]

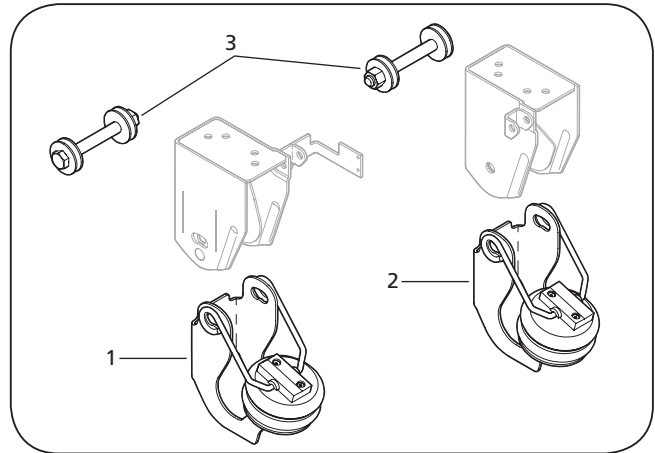
PosiLift™ Air Lift Kit

Part Number: 44100135*

ITEM	DESCRIPTION	PART NUMBER	QTY.	WEIGHT LBS. [KG]
1	Lift Assembly - Roadside Axle	90548535	1	22.00 [9.98]
2	Lift Assembly - Curbside Axle	90548537	1	22.00 [9.98]
3	Fastener Kit	11005156	1	11.80 [5.35]
	Literature Kit - PosiLift™ Air Lift	XM-44000069	1	N/A

* Not available for Disc Brakes on CBX25 338 and CBX 25/30 245 Suspensions.

NOTE: This is a complete PosiLift™ kit.



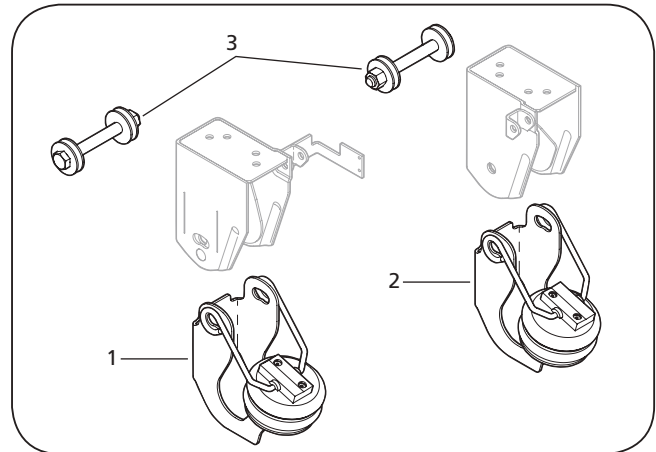
PosiLift™ Air Lift Kit

Part Number: 44100160*

ITEM	DESCRIPTION	PART NUMBER	QTY.	WEIGHT LBS. [KG]
1	Lift Assembly - Roadside Axle	90550292	1	22.00 [9.98]
2	Lift Assembly - Curbside Axle	90550293	1	22.00 [9.98]
3	Fastener Kit	11005156	1	11.80 [5.35]
	Literature Kit - PosiLift™ Air Lift	XM-44000089	1	N/A

* Not available for Disc Brakes on CBX25 338 and CBX 25/30 245 Suspensions.

NOTE: This is a complete PosiLift™ kit.



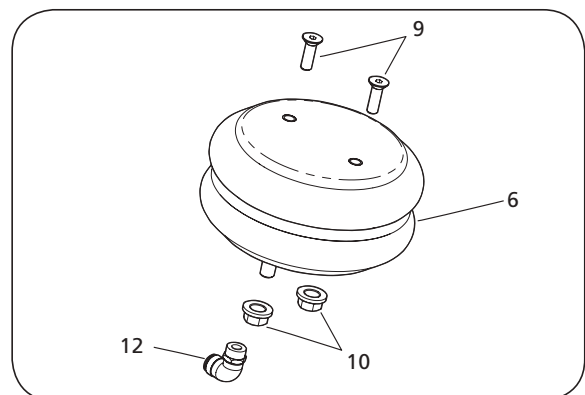
PosiLift™ Airspring Replacement Kit

Part Number: 48100497

SRK-631

ITEM	DESCRIPTION	PART NUMBER	QTY.	WEIGHT LBS. [KG]
6	Air Spring	90557366	1	8.00 [3.63]
9	Flat-Head Cap Screw	93006039	2	N/A
10	Nut, Flange .50"-13 GR B - Air Spring	93400623	2	0.32 [0.15]
12	Elbow Fitting	XB-09226	1	0.02 [0.01]
	Literature Kit	XM-44000069	1	N/A

NOTE: This kit is for one side of axle only.

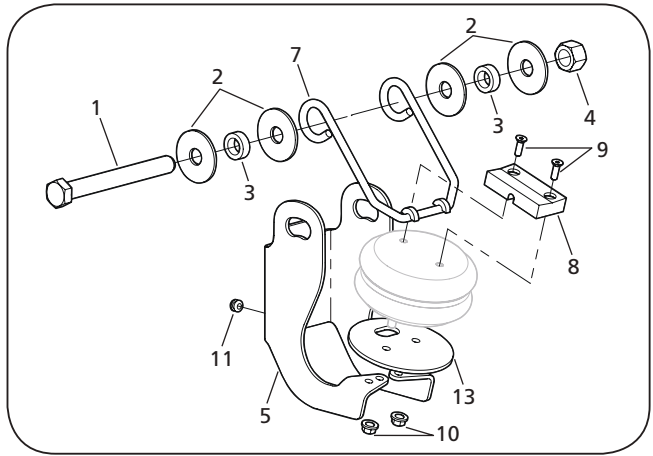


PosiLift™ Bracket Replacement Kit

Part Number: 48100496

SRK-630

ITEM	DESCRIPTION	PART NUMBER	QTY.	WEIGHT LBS. [KG]
1	Pivot Bolt - 1.13"-7 x 10"	93201072	1	3.20 [1.45]
2	Washer	93600553	4	0.46 [0.21]
3	Spacer 1.13" - 7	93900295	2	0.24 [0.11]
4	Nut,Hex,Lock 1.13-7 GR C	93400506	1	0.38 [0.17]
5	Pivot Mount Bracket	90026334	1	11.00 [4.99]
7	Guide Arm	90506037	1	2.00 [0.91]
8	Bearing Block	90045590	1	0.50 [0.23]
9	Flat-Head Cap Screw	93006039	2	0.01 [0.05]
10	Nut, Flange .50"-13 GR B - Swing Align	93400623	2	0.32 [0.15]
11	Grommet	90045591	1	0.01 [0.05]
13	Air Spring Mounting Plate	90034803	1	2.57 [1.17]
	Literature Kit	XM-44000069	1	N/A



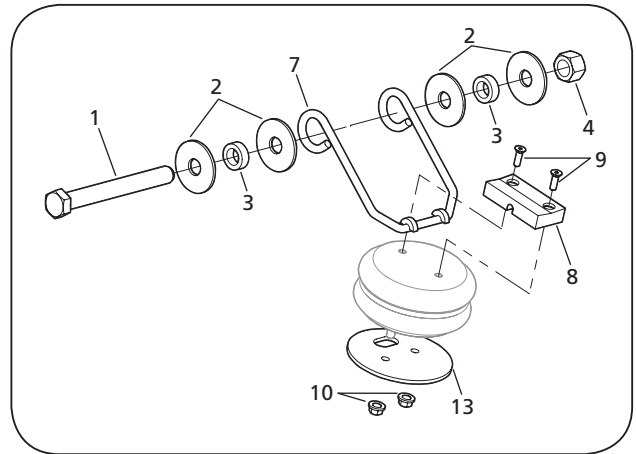
NOTE: This kit is for one side of axle only.

PosiLift™ Guide Arm and Bearing Block Replacement Kit

Part Number: 48100498

SRK-632

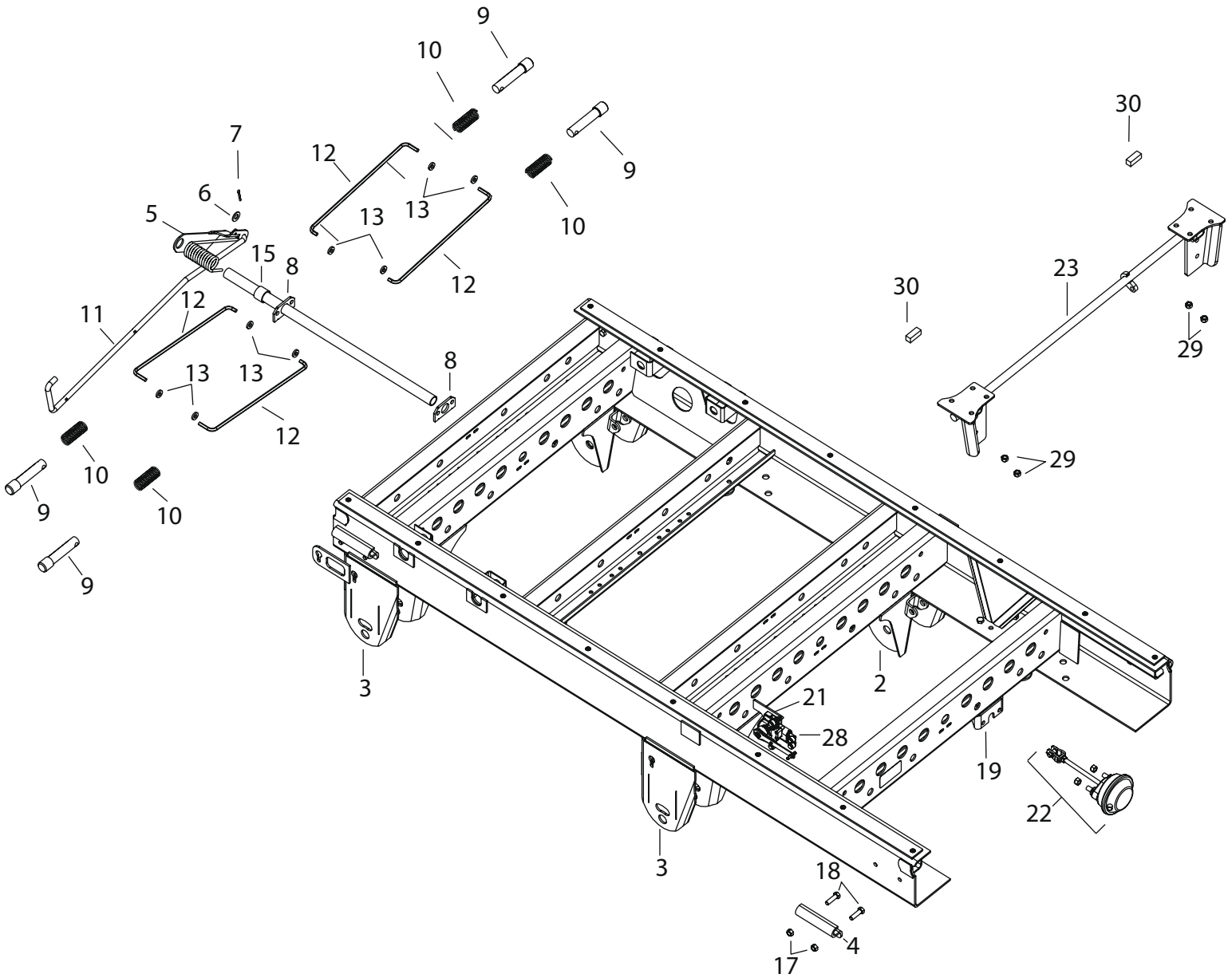
ITEM	DESCRIPTION	PART NUMBER	QTY.	WEIGHT LBS. [KG]
1	Pivot Bolt - 1.13" - 7 x 10"	93201072	1	3.20 [1.45]
2	Washer	93600553	4	0.46 [0.21]
3	Spacer	93900295	2	0.24 [0.11]
4	Nut,Hex,Lock 1.13-7 GR C	93400506	1	0.38 [0.17]
7	Guide Arm	90506037	1	2.00 [0.91]
8	Bearing Block	90045590	1	0.50 [0.23]
9	Flat-Head Cap Screw	93006039	2	N/A
10	Nut, Flange .50"-13 GR B - Air Spring	93400623	2	0.32 [0.15]
13	Air Spring Mounting Plate	90034803	1	2.57 [1.17]
	Literature Kit	XM-44000069	1	N/A



NOTE: This kit is for one side of axle only.

CBX46

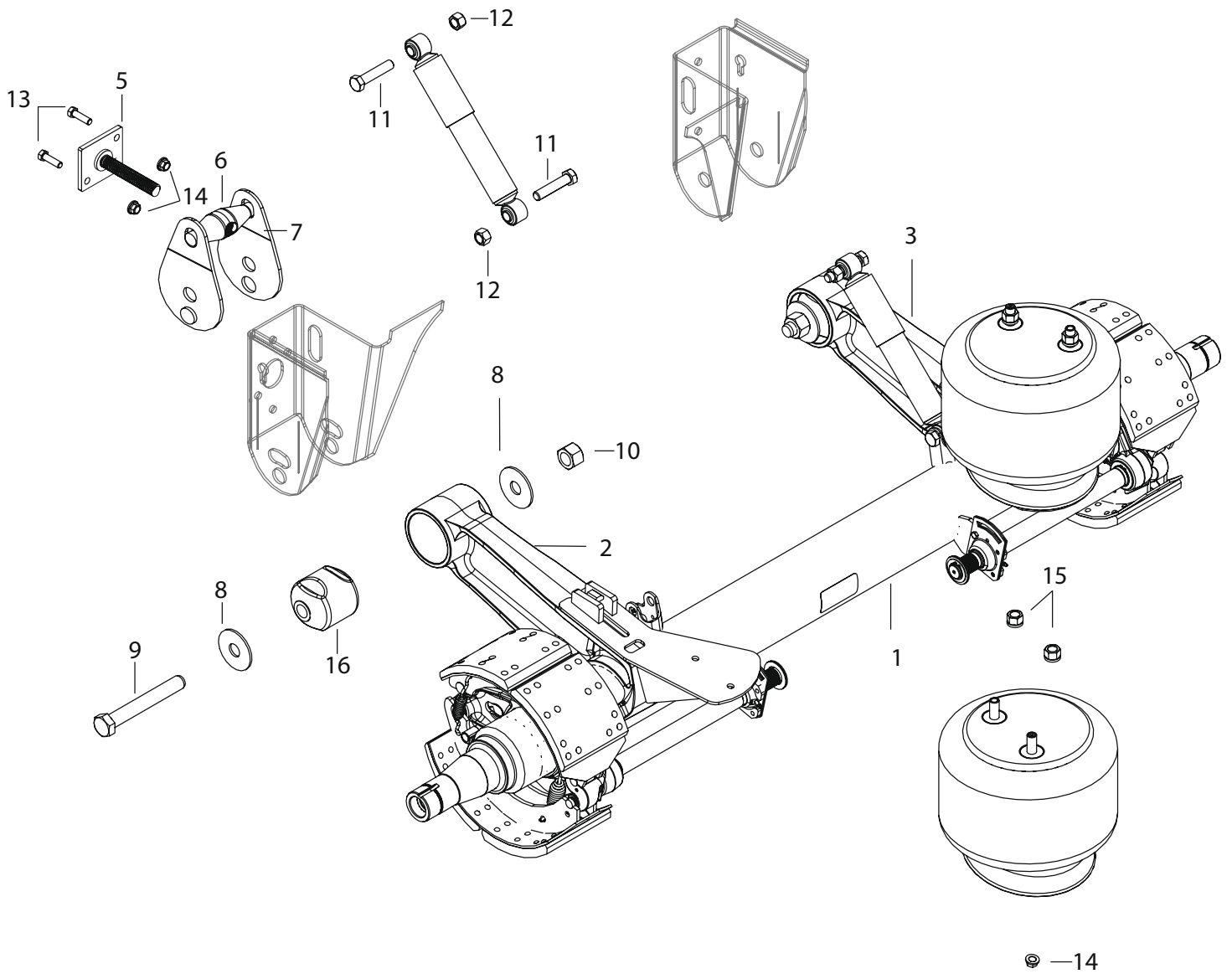
CBX50 Slider Box Exploded View



CBX50 SLIDER BOX LIST

ITEM	DESCRIPTION	PART NUMBER	QTY PER SLIDER	WEIGHT LBS. [KG]
1	Slider Assy, Binkley Outside Shims	90550200	1	571.00 [259.00]
	Slider Assy, Binkley Inside Shims	90550203	1	569.20 [258.18]
	Slider Assembly, Hutch	90550206	1	571.80 [259.36]
	Slider Assembly, Hutch	90550256	1	595.00 [269.89]
	Slider Assembly, Hutch	90550320	1	581.00 [263.54]
2	Frame Bracket, Right Hand, See 48100396	90521742	1	18.93 [8.59]
3	Frame Bracket, Left Hand - SwingAlign, See 48100395	90521743	1	23.20 [10.52]
4	Hold Down Bracket	90015150	4	1.50 [0.68]
5	Torsion Cam	SL0A1272	1	2.30 [1.04]
6	Washer .41" I.D. x .81" O.D.	XB-PW-016-08	1	0.30 [0.14]
7	Cotter Pin .16" x 1.50"	XB-CTP-014-59	1	0.10 [0.05]
8	Cam Plate	SL0A1274	2	0.37 [0.17]
9	Pin, Step Lock 1.63" x 6.38" Long (Hutch Style)	SL0A1261	4	2.15 [0.98]
	Pin, Lock 1.38" x 6.75" Long (All others)	SL0A1238	4	1.92 [0.87]
10	Spring, Compression	XB-SPG-020-35	4	0.25 [0.11]
11	Arm, Pull 42" Slide Box	SL0A1445-02	1	3.56 [1.61]
	Arm, Pull 48" Slide Box	SL0A1445-01	1	3.79 [1.72]
12	Arm, Linkage 14.96" for 42" Slide Box	SL0A1550-01	1	0.53
	Arm, Linkage 17.96" for 48" Slide Box	SL0A1550	1	0.64
13	Washer, Flat .19" x .44" I.D. x 1.0" O.D.	2082100000100	8	0.05
14	Lock, Slide	XB-SL0A1054	2	1.60 [0.73]
15	Spacer ,Tube 1.25"	SL0523-07	1	0.24 [0.11]
16	Screw .32"-18 x .75" Flat HD	XB-STS-008-16	16	0.02 [0.01]
17	Cap Screw, Hex HD .50"-13 x 1.75" Long GR5	XB-HHC-001-33	8	0.11 [0.05]
18	Nut,Hex .50" -13 GRB	XB-SLN-012-42	8	0.03 [0.01]
19	Bracket, Brake Chamber Posi-Lok	SL0A1230	1	0.76 [0.34]
20	Bracket, Spring Brake Air Release	90026227	1	1.40 [0.64]
21	Bracket, HCV Mounting	90034541	1	0.60 [0.27]
22	Spring Brake Service Chamber for Air Release Pin Mechanism (includes .50"-13 hex nuts)	90548040	1	4.32 [1.96]
	Spring Brake Service Chamber for PosiLok (includes .50"-13 hex nuts)	90548040	1	4.32 [1.96]
23	PosiLok- 48" Wide Slide	90549888	1	26.80 [12.16]
28	Valve, Height Control	See Page 1-23	1	See Page 1-23
29	Nut, Hex .5-13 GR-B Plain	XB-SLN-012-42	4	0.03 [0.01]
30	Block	90034559	2	0.32 [0.15]

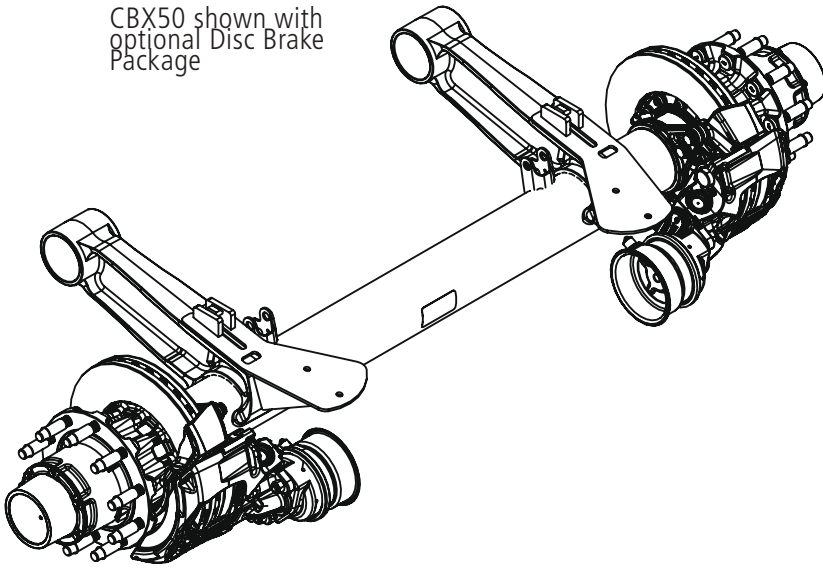
CBX50 Exploded View



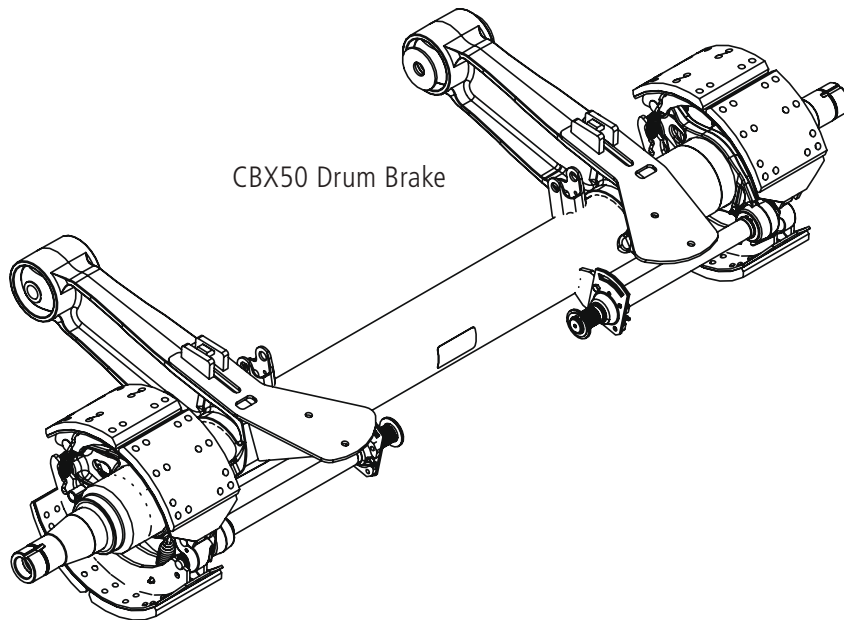
CBX46 PARTS LIST

ITEM	DESCRIPTION	PART NUMBER	QTY PER SLIDER	WEIGHT LBS. [KG]
1	CBX46 Axle and Beam Assembly	See Chart #1	2	See Chart #1
4	Shock Absorber - 16.0" Ride Height	90045298	4	4.90 [2.22]
	Shock Absorber - 16.5" and 17.0" Ride Height	90044162	4	4.85 [2.20]
5	Threaded Rod Assy	90548007	2	3.52 [1.60]
6	Swing Align Yoke	90045491	2	2.54 [1.15]
7	Plate, Weldment	90531339	4	2.23 [1.01]
8	Washer 1.14" I.D. x 3.50" O.D. Hardened	93600553	8	0.46 [0.21]
9	Bolt, 1.13"-7 x 8.00" Long GR8	93201070	4	2.60 [1.18]
10	Nut, Hex 1.13"-7 GR C	93400506	4	0.38 [0.17]
11	Bolt, Hex .75"-10 X 3.50" Long GR 5	93006035	8	0.56 [0.25]
12	Nut Hex .75"-10 GR B	93400492	8	0.13 [0.06]
13	Screw Hex Cap .50"-13 x 1.75" GR-5 ZC	XB-HHC-001-33	4	0.11 [0.05]
14	Nut, Flange .50"-13 GR B - Swing Align Nut, Flange .50"-13 GR B -Air Spring	93400623	4	0.32 [0.15]
15	Nut, Hex .75"-16 GR B	93400149	4	0.12 [0.05]
16	Bushing, Cast Beam See 48100394	90008247	4	4.71 [2.14]
17	Air Spring Assy- 16.0" Ride Height	90557431	4	10.5 [4.76]
	Air Spring Assy- 16.5" Ride Height			
	Air Spring Assy- 17" Ride Height			
21	Washer, Lock .78"	93600077	4	0.40 [0.18]

CBX50 shown with optional Disc Brake Package

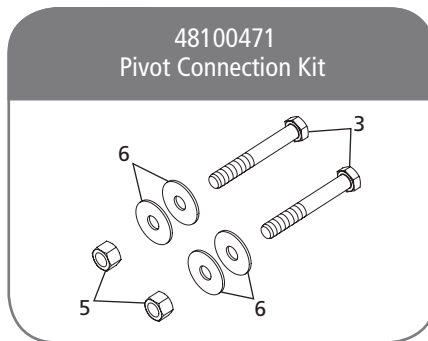
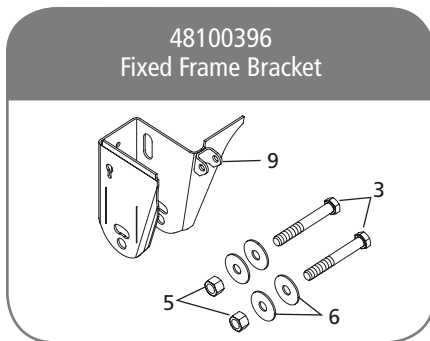
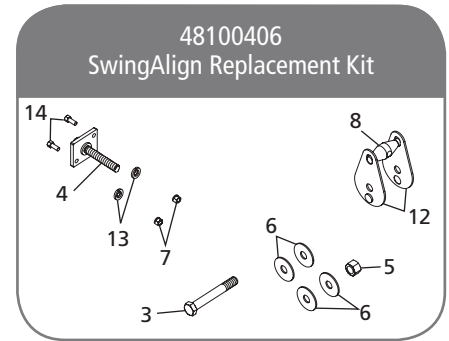
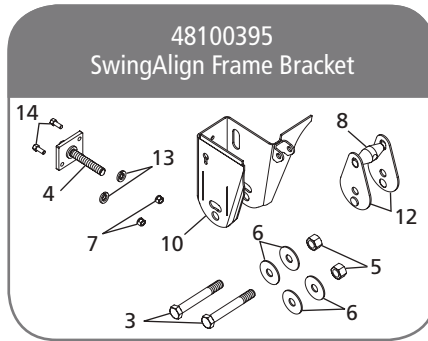
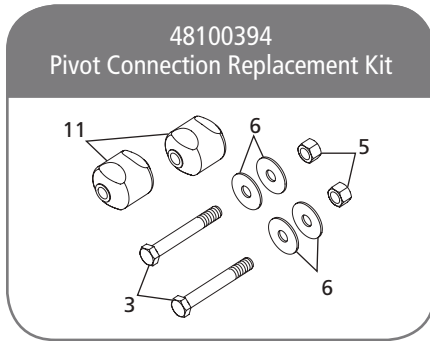


CBX50 Drum Brake



AXLE AND BEAM CHART #1 CBX50

SPINDLE TYPE	DESCRIPTION	BRAKED BEAM AND AXLE ASS'Y - DRUM	WEIGHT LBS. [KG]	BRAKED BEAM AND AXLE ASS'Y -P89 DISC	WEIGHT LBS. [KG]
Tapered	Braked Beam and Axle Assy. 77.5" Axle Track 42" Beam Centers	2006200009540	318.00 [144.24]	–	N/A
Tapered	Braked Beam and Axle Assy. 77.5" Axle Track 42" Beam Centers - w/ PosiLok	2006200009550	324.00 [146.96]	–	N/A
Tapered	Braked Beam and Axle Assy. 77.5" Axle Track 42" Beam Centers	2006200009560	318.00 [144.24]	–	N/A
Tapered	Braked Beam and Axle Assy. 77.5" Axle Track 42" Beam Centers - w/ PosiLok	2006200009570	324.00 [146.96]	–	N/A
Parallel	Braked Beam and Axle Assy. 77.5" Axle Track 42" Beam Centers	2006200009580	314.00 [142.42]	–	N/A
Parallel	Braked Beam and Axle Assy. 77.5" Axle Track 42" Beam Centers - w/ PosiLok	2006200009590	321.00 [145.60]	–	N/A
Parallel	Braked Beam and Axle Assy. 77.5" Axle Track 42" Beam Centers	2006200009600	314.00 [142.42]	–	N/A
Parallel	Braked Beam and Axle Assy. 77.5" Axle Track 42" Beam Centers - w/ PosiLok	2006200009610	321.00 [145.60]	–	N/A
	Braked Beam and Axle Assy. 77.5" Axle Track 42" Beam Centers	–	N/A	2006200009620	304.00 [137.89]
	Braked Beam and Axle Assy. 77.5" Axle Track 42" Beam Centers - w/ PosiLok	–	N/A	2006200009630	310.00 [140.61]
	Braked Beam and Axle Assy. 77.5" Axle Track 42" Beam Centers	–	N/A	2006200009640	304.00 [137.89]
	Braked Beam and Axle Assy. 77.5" Axle Track 42" Beam Centers - w/ PosiLok	–	N/A	2006200009650	310.00 [140.61]



SERVICE REPAIR KIT BOM

ITEM	DESCRIPTION	PART NUMBER	QTY.	WEIGHT LBS. [KG]
1*	Cast Beam Sub Assembly - LH	90548008	1	59.50 [26.99]
2*	Cast Beam Sub Assembly- RH	90548009	1	59.50 [26.99]
3	Bolt,Hex,1.12-7X8.0 Gr 8	93201070	2	2.69 [1.22]
4	Threaded Rod Assy 1.00" x 5.98" Long	90548007	1	3.52 [1.60]
5	Nut, Hex Lock 1.13" - 7 GR-C	93400506	2	0.38 [0.17]
6	Washer 1.14" I.D. x 3.50" O.D.	93600553	4	0.46 [0.21]
7	Nut Hex.50"-13 GR B	93400136	2	0.40 [0.18]
8	Swing Align Yoke	90045491	1	2.54 [1.15]
9	Frame Bracket, Curbside	90521743	1	23.20 [10.52]
10	Frame Bracket, Roadside	90521742	1	18.93 [8.59]
11	Rubber Bushing	90008247	2	3.90 [1.77]
12	Plate Weldment	90531339	2	2.23 [1.01]
13	Washer Lock .51" I.D. x .87" O.D.	93600072	2	0.02 [0.01]
14	Screw Cap Hex .50"-13 X 1.75" Long GR-5	XB-HHC-001-33	2	0.11 [0.05]
15	Spacer .56" I.D. x 3.50" O.D. x .62" Thick	90036274	1	1.65 [0.75]
16	Spacer .56" I.D. x 3.50" O.D. x 1.22" Thick	90036275	1	3.25 [1.47]
17	Air Spring Assembly	50857000	1	11.25 [5.10]
18	Nut Hex.75"-16 GR B	93400149	1	0.12 [0.05]
19	Nut, Flange .50"-13 GR B - Air Spring	93400623	1	0.32 [0.15]
20	Washer Lock .76" I.D. x 1.27" O.D.	93600077	1	0.04 [0.02]
21	Washer .52" I.D. x 3.50" O.D.	93600560	1	0.50 [0.23]

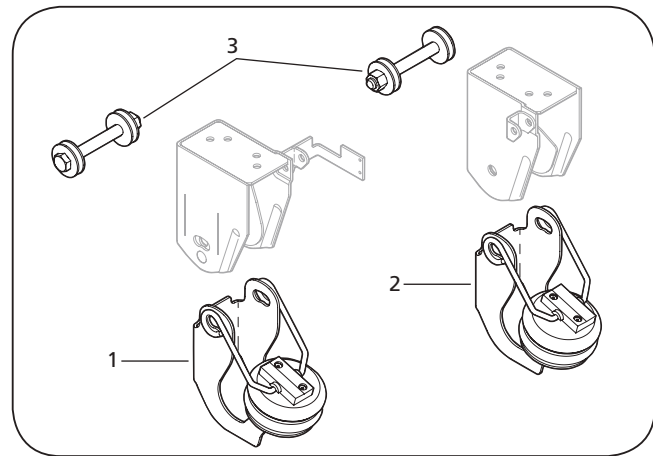
PosiLift™ Air Lift Kit

Part Number: 44100135*

ITEM	DESCRIPTION	PART NUMBER	QTY.	WEIGHT LBS. [KG]
1	Lift Assembly - Roadside Axle	90548535	1	22.00 [9.98]
2	Lift Assembly - Curbside Axle	90548537	1	22.00 [9.98]
3	Fastener Kit	11005156	1	11.80 [5.35]
	Literature Kit - PosiLift™ Air Lift	XM-44000069	1	N/A

* Not available for Disc Brakes on CBX25 338 and CBX 25/30 245 Suspensions.

NOTE: This is a complete PosiLift™ kit.



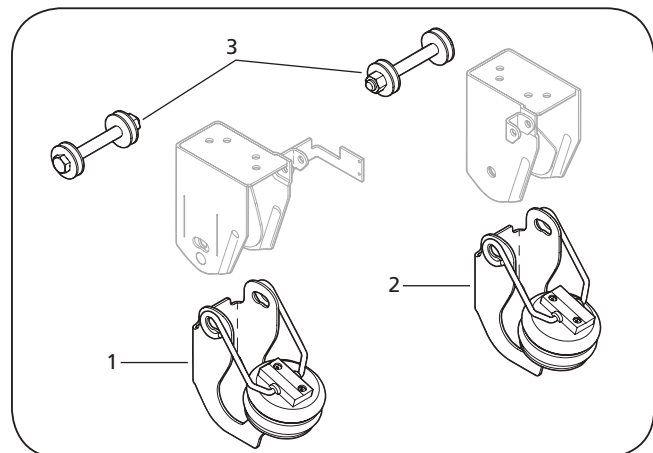
PosiLift™ Air Lift Kit

Part Number: 44100160*

ITEM	DESCRIPTION	PART NUMBER	QTY.	WEIGHT LBS. [KG]
1	Lift Assembly - Roadside Axle	90550292	1	22.00 [9.98]
2	Lift Assembly - Curbside Axle	90550293	1	22.00 [9.98]
3	Fastener Kit	11005156	1	11.80 [5.35]
	Literature Kit - PosiLift™ Air Lift	XM-44000089	1	N/A

* Not available for Disc Brakes on CBX25 338 and CBX 25/30 245 Suspensions.

NOTE: This is a complete PosiLift™ kit.



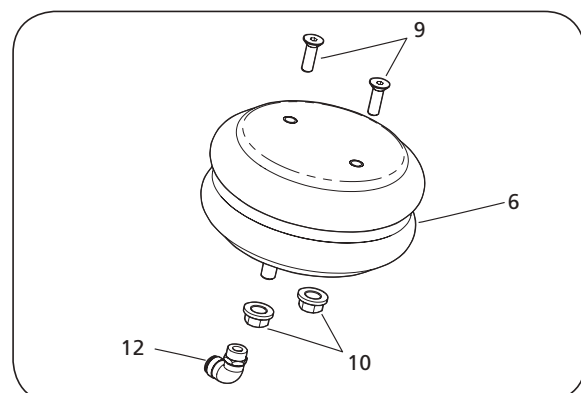
PosiLift™ Airspring Replacement Kit

Part Number: 48100497

SRK-631

ITEM	DESCRIPTION	PART NUMBER	QTY.	WEIGHT LBS. [KG]
6	Air Spring	90557366	1	8.00 [3.63]
9	Flat-Head Cap Screw	93006039	2	N/A
10	Nut, Flange .50"-13 GR B - Air Spring	93400623	2	0.32 [0.15]
12	Elbow Fitting	XB-09226	1	0.02 [0.01]
	Literature Kit	XM-44000069	1	N/A

NOTE: This kit is for one side of axle only.

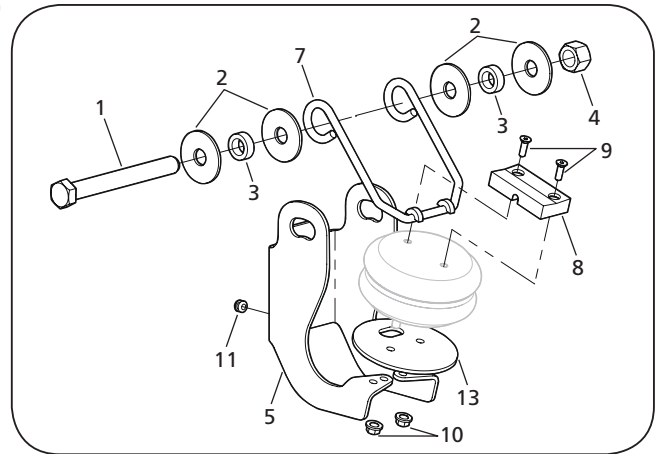


PosiLift™ Bracket Replacement Kit

Part Number: 48100496

SRK-630

ITEM	DESCRIPTION	PART NUMBER	QTY.	WEIGHT LBS. [KG]
1	Pivot Bolt - 1.13"-7 x 10"	93201072	1	3.20 [1.45]
2	Washer	93600553	4	0.46 [0.21]
3	Spacer 1.13" - 7	93900295	2	0.24 [0.11]
4	Nut,Hex,Lock 1.13-7 GR C	93400506	1	0.38 [0.17]
5	Pivot Mount Bracket	90026334	1	11.00 [4.99]
7	Guide Arm	90506037	1	2.00 [0.91]
8	Bearing Block	90045590	1	0.50 [0.23]
9	Flat-Head Cap Screw	93006039	2	0.01 [0.05]
10	Nut, Flange .50"-13 GR B - Swing Align	93400623	2	0.32 [0.15]
11	Grommet	90045591	1	0.01 [0.05]
13	Air Spring Mounting Plate	90034803	1	2.57 [1.17]
	Literature Kit	XM-44000069	1	N/A



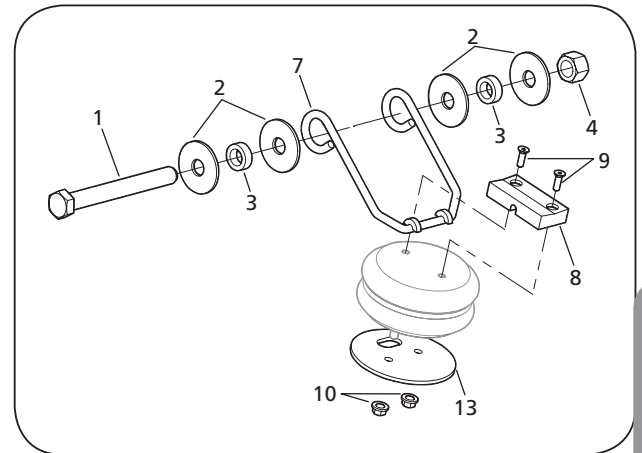
NOTE: This kit is for one side of axle only.

PosiLift™ Guide Arm and Bearing Block Replacement Kit

Part Number: 48100498

SRK-632

ITEM	DESCRIPTION	PART NUMBER	QTY.	WEIGHT LBS. [KG]
1	Pivot Bolt - 1.13" - 7 x 10"	93201072	1	3.20 [1.45]
2	Washer	93600553	4	0.46 [0.21]
3	Spacer	93900295	2	0.24 [0.11]
4	Nut,Hex,Lock 1.13-7 GR C	93400506	1	0.38 [0.17]
7	Guide Arm	90506037	1	2.00 [0.91]
8	Bearing Block	90045590	1	0.50 [0.23]
9	Flat-Head Cap Screw	93006039	2	N/A
10	Nut, Flange .50"-13 GR B - Air Spring	93400623	2	0.32 [0.15]
13	Air Spring Mounting Plate	90034803	1	2.57 [1.17]
	Literature Kit	XM-44000069	1	N/A



NOTE: This kit is for one side of axle only.

SAF CBXA 40
SUSPENSION SLIDER AXLE
SYSTEM

THE LIGHTEST WEIGHT TANDEM
SLIDER SOLUTION FOR ON/OFF
HIGHWAY VAN AND REEFER TRAILERS

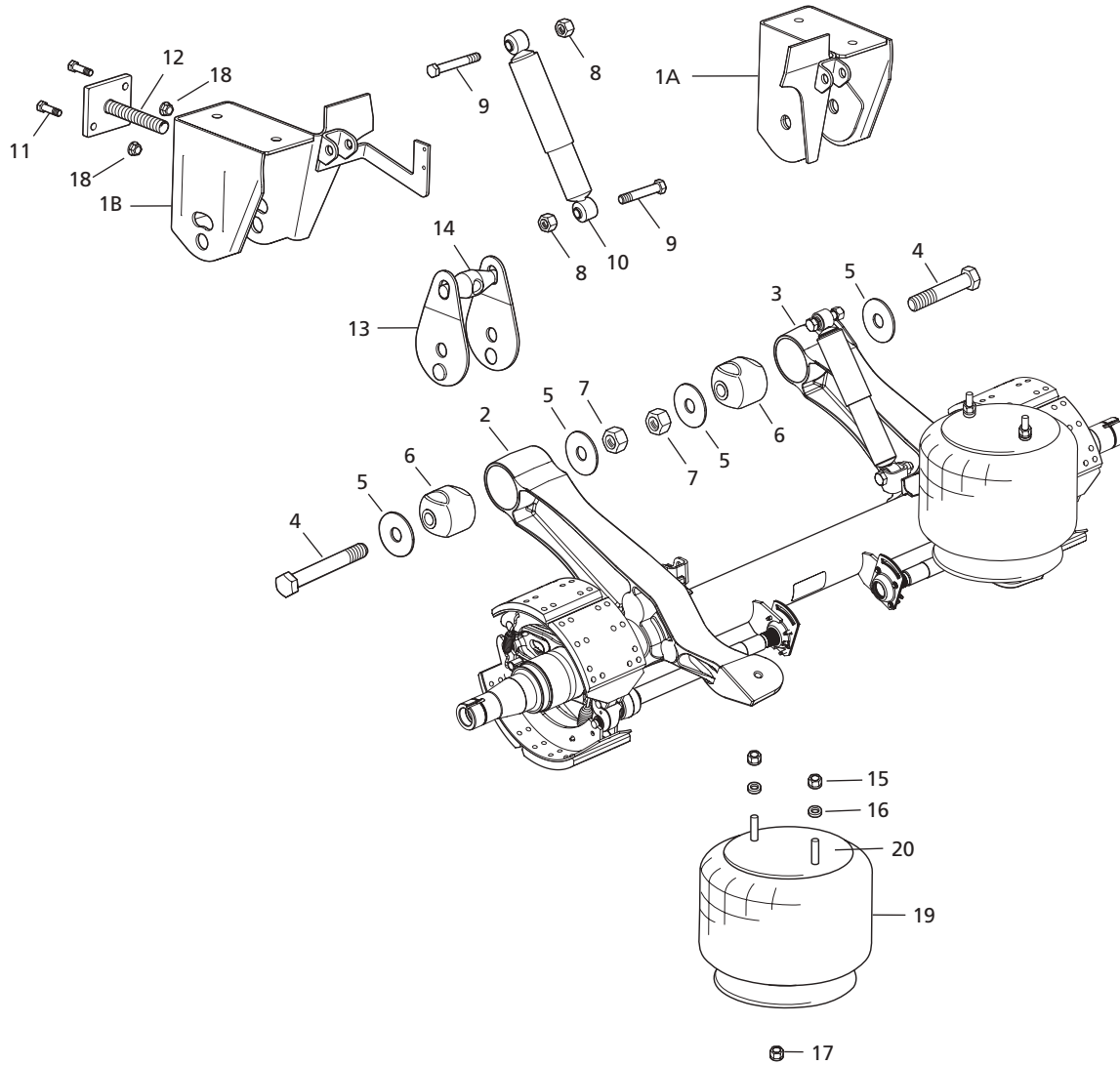


**THE CBXA 40
IS COMING TO
OUR CATALOG!**

**PARTS INFORMATION WILL
BE AVAILABLE SOON**

For the most current information, please contact
Customer Service at 800.876.3929 or
visit www.safholland.us

CB2300 Suspension Exploded View



CB2300 PARTS LIST				
ITEM	DESCRIPTION	PART NUMBER	QTY	WEIGHT LBS. [KG]
1A*†	Frame Bracket (Welded) - with integral brace 14.0" Ride Height	48100465	1	See next page
	Frame Bracket (Welded) - with integral brace 15.0" Ride Height	48100466		See next page
	Frame Bracket (Welded) - with integral brace 16.0 & 17.0" Ride Height	48100467		See next page
1B*†	Frame Bracket (SwingAlign) - with integral brace 14.0" Ride Height	48100462	1	See next page
	Frame Bracket (SwingAlign) - with integral brace 15.0" Ride Height	48100464		See next page
	Frame Bracket (SwingAlign) - with integral brace 16.0 & 17.0" Ride Height	48100463		See next page
2	Equalizing Beam LH (roadside - bushed beam only)	N/A	-	N/A
3	Equalizing Beam RH (curbside - bushed beam only)	N/A	-	N/A
4*	Bolt, Hex, 1.12-7X8.0 Gr 8	93201070	2	2.69 [1.22]
5*	Pivot Connection Washer	93600553	4	0.46 [0.21]
6*	Bushing	90008247	2	3.90 [1.77]
7*	Nut, Hex Lock 1.13" - 7 GR-C	93400506	2	0.38 [0.17]
8	Hex Lock Nut .75"-10	93400492	4	0.13 [0.06]
9	Hex Bolt .75"-10 x 3.50" GR 5	93006035	4	0.56 [0.25]
10†	Shock Absorber 14.0" Ride Height	90044868	2	3.96 [1.80]
	Shock Absorber 15.0" Ride Height	90045381		4.50 [2.04]
	Shock Absorber 16.0" & 17.0" Ride Height	90045298		4.90 [2.22]
11	Hex Bolt .50"-13 x 1.75"	XB-HHC-001-33	2	0.11 [0.05]
12	Threaded Rod Assembly	90548007	1	3.52 [1.60]
13	Alignment Plate	90531339	2	2.23 [1.01]
14	SwingAlign Yoke	90045491	1	2.54 [1.15]
15	Hex Lock Nut .75"-16	93400149	4	0.12 [0.05]
16	Washer .75"	93600077	4	0.04 [0.02]
17	Nut, Flange .50"-13 GR B - Air Spring	93400623	2	0.32 [0.15]
18	Hex Nut -.50" -13	93400136	2	0.40 [0.18]
19	Air Spring 14.0" Ride Height	90557330	2	12.30 [5.58]
	Air Spring 15.0" Ride Height	90557331		14.20 [6.44]
19	Air Spring 16.0 & 17.0" Ride Height	90557369	2	16.70 [7.57]
20	Plate, Mounting, Air Spring	90034247	2	5.50 [2.49]

* Replacement components should be purchased in Service Repair Kits listed on next page.

† For a non-standard suspension, contact SAF-HOLLAND Customer Service (800.876.3929) for frame brackets and shock absorber part numbers.

NOTE: When ordering Service Repair Kits, all necessary components to complete an axle installation are included.

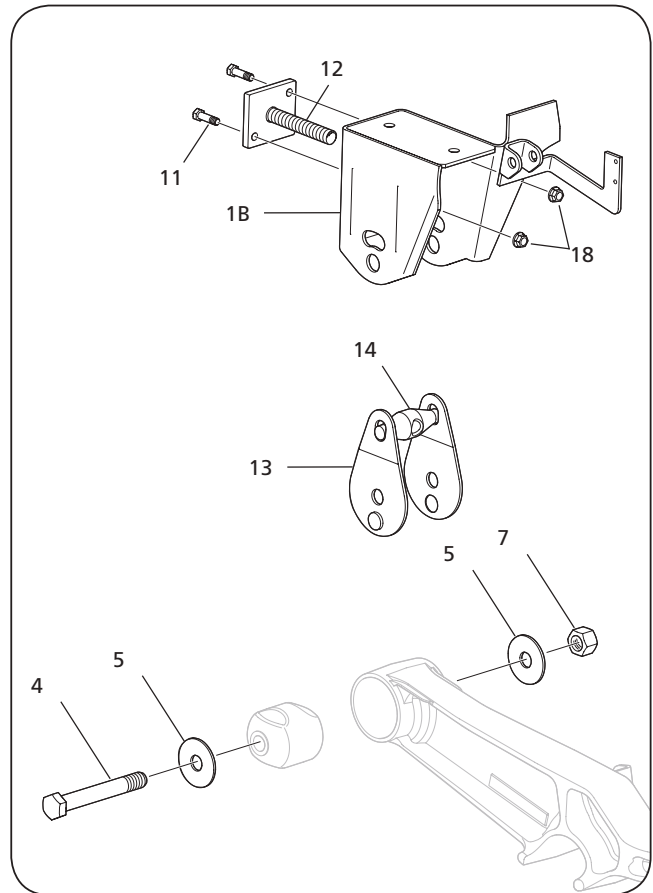
SwingAlign™ Frame Bracket Replacement Kits

14" Ride Height

Part Number: 48100462

SRK-598

ITEM	DESCRIPTION	PART NUMBER	QTY.	WEIGHT LBS. [KG]
1B	Frame Bracket, Roadside	90521823	1	23.10 [10.48]
4	Bolt, Hex, 1.12-7X8.0 Gr 8	93201070	2	2.69 [1.22]
5	Washer	93600553	4	0.46 [0.21]
7	Nut, Hex Lock 1.13" - 7 GR-C	93400506	2	0.38 [0.17]
11	Bolt, Hex.50" - 13 x 1.75"	XB-HHC-001-33	2	0.11 [0.05]
12	Threaded Rod Assembly	90548007	1	3.52 [1.60]
13	Alignment Plate	90531339	2	2.23 [1.01]
14	SwingAlign™ Yoke	90045491	1	2.54 [1.15]
18	Nut, Hex.50" - 13	93400136	2	0.40 [0.18]



15" Ride Height

Part Number: 48100464

SRK-600

ITEM	DESCRIPTION	PART NUMBER	QTY.	WEIGHT LBS. [KG]
1B	Frame Bracket, Roadside	90521824	1	25.30 [11.48]
4	Bolt, Hex, 1.12-7X8.0 Gr 8	93201070	2	2.69 [1.22]
5	Washer	93600553	4	0.46 [0.21]
7	Nut, Hex Lock 1.13" - 7 GR-C	93400506	2	0.38 [0.17]
11	Bolt, Hex.50" - 13 x 1.75"	XB-HHC-001-33	2	0.11 [0.05]
12	Threaded Rod Assembly	90548007	1	3.52 [1.60]
13	Alignment Plate	90531339	2	2.23 [1.01]
14	SwingAlign™ Yoke	90045491	1	2.54 [1.15]
18	Nut, Hex.50" - 13	93400136	2	0.40 [0.18]

16" & 17" Ride Height

Part Number: 48100463

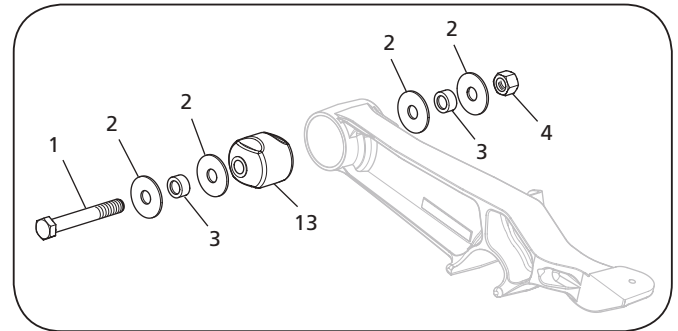
SRK-599

ITEM	DESCRIPTION	PART NUMBER	QTY.	WEIGHT LBS. [KG]
1B	Frame Bracket, Roadside	90521825	1	29.00 [13.15]
4	Bolt, Hex, 1.12-7X8.0 Gr 8	93201070	2	2.69 [1.22]
5	Washer	93600553	4	0.46 [0.21]
7	Nut, Hex Lock 1.13" - 7 GR-C	93400506	2	0.38 [0.17]
11	Bolt, Hex.50" - 13 x 1.75"	XB-HHC-001-33	2	0.11 [0.05]
12	Threaded Rod Assembly	90548007	1	3.52 [1.60]
13	Alignment Plate	90531339	2	2.23 [1.01]
14	SwingAlign™ Yoke	90045491	1	2.54 [1.15]
18	Nut, Hex.50" - 13	93400136	2	0.40 [0.18]

Pivot Connection with Pivot Bushing
Part Number: 48100502
SRK-636

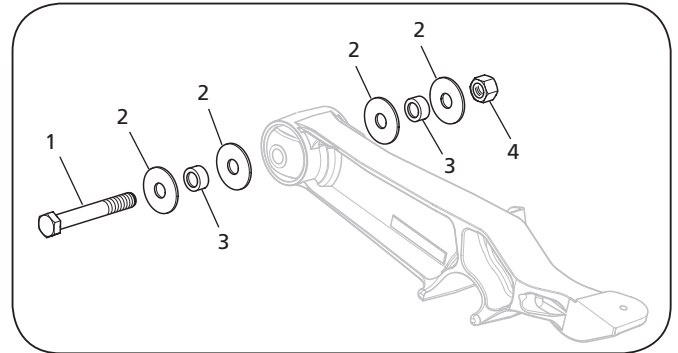
ITEM	DESCRIPTION	PART NUMBER	QTY.	WEIGHT LBS. [KG]
1	Pivot Bolt - 1.13"-7 x 10"	93201072	2	3.20 [1.45]
2	Washer	93600553	8	0.46 [0.21]
3	Spacer	93900295	4	0.24 [0.11]
4	Nut, Hex, Lock 1.13-7 GR C	93400506	2	0.38 [0.17]
13	Rubber Bushing	90008247	2	3.90 [1.77]
	Maintenance Manual	XL-AR462	1	N/A

NOTE: Kit contains parts to replace both sides of axle. Parts for one side shown.
For use with PosiLift only

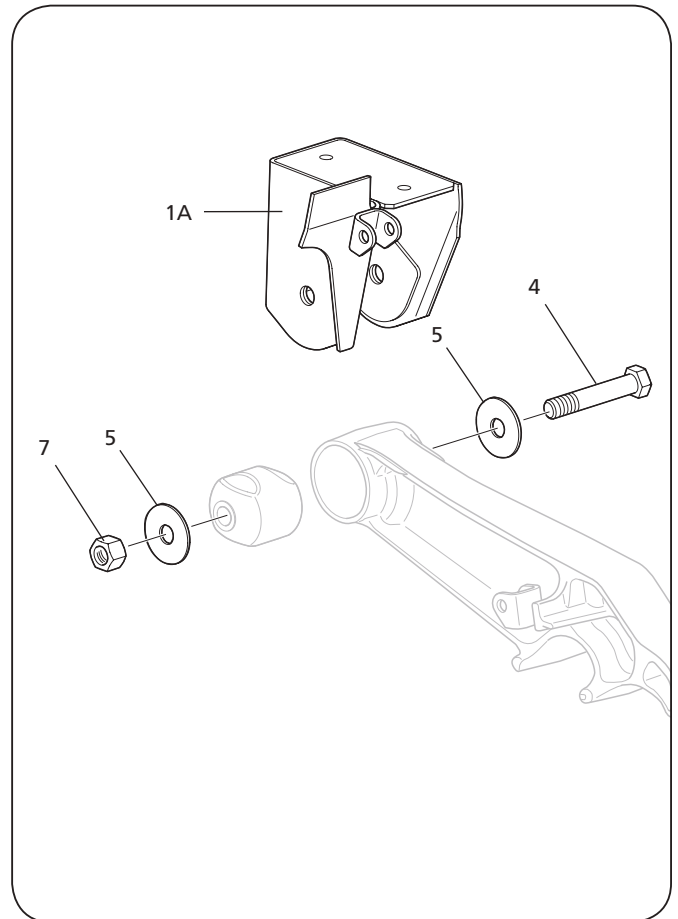

Pivot Connection without Pivot Bushing
Part Number: 48100503
SRK-637

ITEM	DESCRIPTION	PART NUMBER	QTY.	WEIGHT LBS. [KG]
1	Rod Bolt - 1.13"-7 x 10"	93201072	2	3.20 [1.45]
2	Washer	93600553	8	0.46 [0.21]
3	Spacer	93900295	4	0.24 [0.11]
4	Nut, Hex, Lock 1.13-7 GR C	93400506	2	0.38 [0.17]

NOTE: Kit contains parts to replace both sides of axle. Parts for one side shown.
For use with PosiLift only.


Fixed Frame Bracket Replacement Kits
14" Ride Height
Part Number: 48100465
SRK-601

ITEM	DESCRIPTION	PART NUMBER	QTY.	WEIGHT LBS. [KG]
1A	Frame Bracket, Curbside	90521826	1	25.70 [11.66]
4	Bolt, Hex, 1.12-7X8.0 Gr 8	93201070	2	2.69 [1.22]
5	Washer	93600553	4	0.46 [0.21]
7	Nut, Hex Lock 1.13" - 7 GR-C	93400506	2	0.38 [0.17]


15" Ride Height
Part Number: 48100466
SRK-602

ITEM	DESCRIPTION	PART NUMBER	QTY.	WEIGHT LBS. [KG]
1A	Frame Bracket, Curbside	90521827	1	27.80 [12.61]
4	Bolt, Hex, 1.12-7X8.0 Gr 8	93201070	2	2.69 [1.22]
5	Washer	93600553	4	0.46 [0.21]
7	Nut, Hex Lock 1.13" - 7 GR-C	93400506	2	0.38 [0.17]

16" & 17" Ride Height
Part Number: 48100467
SRK-603

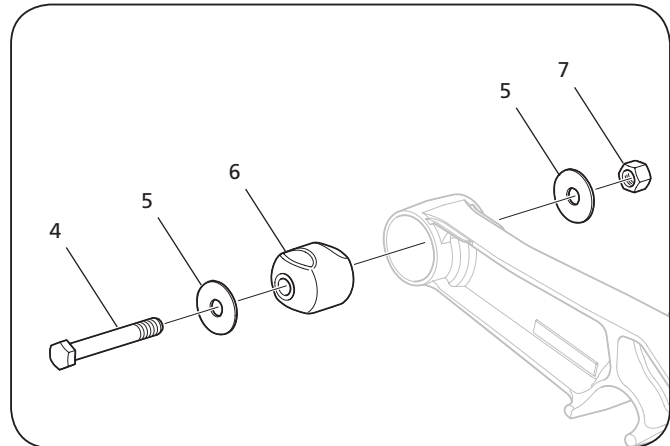
ITEM	DESCRIPTION	PART NUMBER	QTY.	WEIGHT LBS. [KG]
1A	Frame Bracket, Curbside	90521828	1	31.70 [14.38]
4	Bolt, Hex, 1.12-7X8.0 Gr 8	93201070	2	2.69 [1.22]
5	Washer	93600553	4	0.46 [0.21]
7	Nut, Hex Lock 1.13" - 7 GR-C	93400506	2	0.38 [0.17]

Pivot Connection Replacement Kit

Part Number: 48100394

SRK-530

ITEM	PART NUMBER	DESCRIPTION	QTY.	WEIGHT LBS. [KG]
4	93201070	Bolt,Hex,1.12-7X8.0 Gr 8	2	2.69 [1.22]
5	93600553	Washer	4	0.46 [0.21]
6	9008247	Rubber Bushing	2	3.90 [1.77]
7	93400506	Nut, Hex Lock 1.13" - 7 GR-C	2	0.38 [0.17]

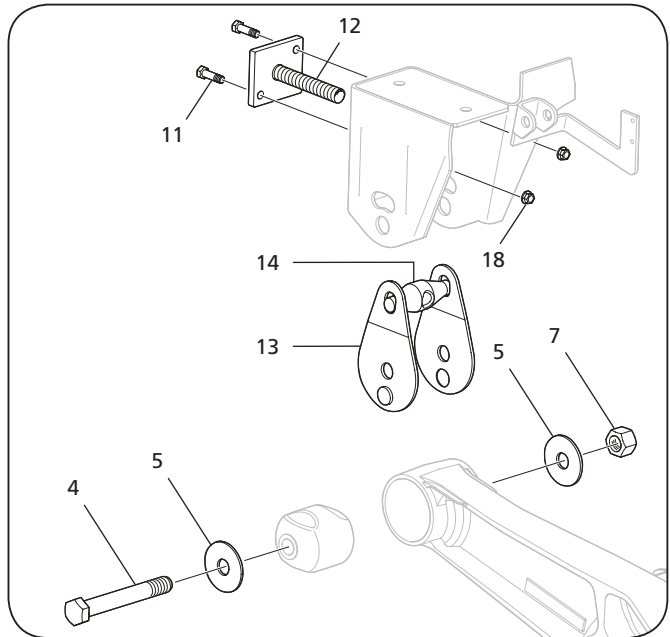


SwingAlign™ Replacement Kit

Part Number: 48100406

SRK-542

ITEM	PART NUMBER	DESCRIPTION	QTY.	WEIGHT LBS. [KG]
4	93201070	Bolt,Hex,1.12-7X8.0 Gr 8	2	2.69 [1.22]
5	93600553	Washer	4	0.46 [0.21]
7	93400506	Nut, Hex Lock 1.13" - 7 GR-C	2	0.38 [0.17]
11	XB-HHC-001-33	Bolt, Hex.50" - 13 x 1.75"	2	0.11 [0.05]
12	90548007	Threaded Rod Assembly	1	3.52 [1.60]
13	90531339	Alignment Plate	2	2.23 [1.01]
14	90045491	SwingAlign™ Yoke	1	2.54 [1.15]
18	93400136	Nut, Hex.50" - 13	2	0.40 [0.18]

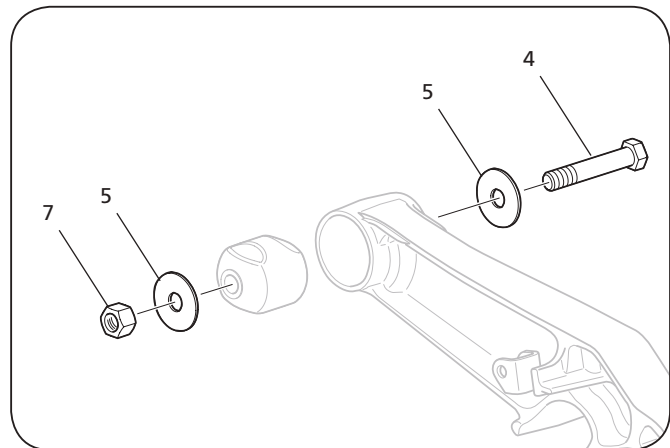


Pivot Connection Service Repair Kit

Part Number: 48100471

SRK-607

ITEM	PART NUMBER	DESCRIPTION	QTY.	WEIGHT LBS. [KG]
4	93201070	Bolt,Hex,1.12-7X8.0 Gr 8	2	2.69 [1.22]
5	93600553	Washer	4	0.46 [0.21]
7	93400506	Nut, Hex Lock 1.13" - 7 GR-C	2	0.38 [0.17]



Height Control Valve (HCV)

HEIGHT CONTROL VALVE KIT			
PART #	DESCRIPTION	PART NUMBER	WEIGHT LBS. [KG]
28	Max-Valve™ HCV - Non Dump	50860013	1.90 [0.86]
	Max-Valve™ HCV - Pressure Dump	50860014	2.10 [0.95]
	Max-Valve™ HCV - Zero Pressure Dump Normal Flow	50860015	2.00 [0.91]
	Max-Valve™ HCV - Zero Pressure Dump Low Flow	50860016	2.00 [0.91]

*All valves are set up for .38" fittings.

NOTE: Do not use the high flow valve when the trailer is equipped with PosiLok™ System.



Adjustable Height Control Linkage Kit

PART NUMBER	DESCRIPTION	WEIGHT LBS. [KG]
50860006	Adjustable Height Control Linkage Kit	2.00 [0.91]



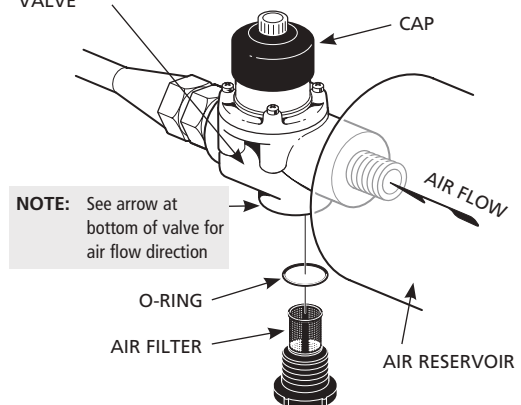
Pressure Protection Valve

DESCRIPTION	PART NUMBER	WEIGHT LBS. [KG]
Pressure Protection Valve	90560150	N/A
Optional Pressure Protection Valve	90554107	0.50 [0.23]

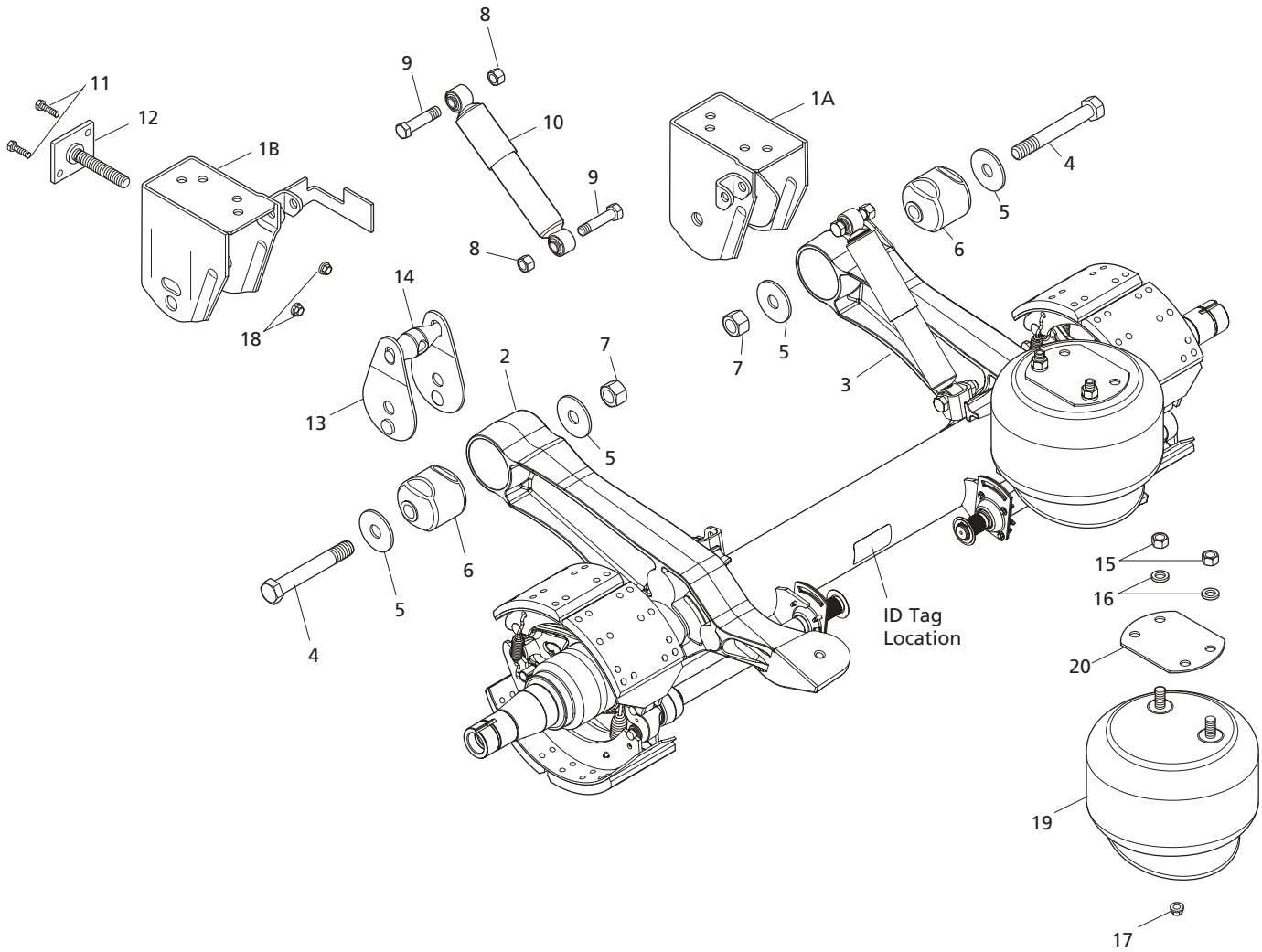


Optional Pressure Protection Valve

OPTIONAL PRESSURE PROTECTION VALVE



CBX23 Suspension Exploded View



CBX23 PARTS LIST				
ITEM	DESCRIPTION	PART NUMBER	QTY	WEIGHT LBS. [KG]
1A*†	Frame Bracket (Welded) - with integral brace 14.0" Ride Height	48100465	1	See next page
	Frame Bracket (Welded) - with integral brace 15.0" Ride Height	48100466		See next page
	Frame Bracket (Welded) - with integral brace 16.0 & 17.0" Ride Height	48100467		See next page
1B*†	Frame Bracket (SwingAlign) - with integral brace 14.0" Ride Height	48100462	1	See next page
	Frame Bracket (SwingAlign) - with integral brace 15.0" Ride Height	48100464		See next page
	Frame Bracket (SwingAlign) - with integral brace 16.0 & 17.0" Ride Height	48100463		See next page
2	Equalizing Beam LH (roadside - bushed beam only)	N/A	-	N/A
3	Equalizing Beam RH (curbside - bushed beam only)	N/A	-	N/A
4*	Bolt,Hex,1.12-7X8.0 Gr 8	93201070	2	2.69 [1.22]
5*	Pivot Connection Washer	93600553	4	0.46 [0.21]
6*	Bushing	90008247	2	3.90 [1.77]
7*	Nut, Hex Lock 1.13" - 7 GR-C	93400506	2	0.38 [0.17]
8	Hex Lock Nut .75"-10	93400492	4	0.13 [0.06]
9	Hex Bolt .75"-10 x 3.50" GR 5	93006035	4	0.56 [0.25]
10†	Shock Absorber 14.0" Ride Height	90044868	2	3.96 [1.80]
	Shock Absorber 15.0" Ride Height	90045381		4.50 [2.04]
	Shock Absorber 16.0" & 17.0" Ride Height	90045298		4.90 [2.22]
11	Hex Bolt .50"-13 x 1.75"	XB-HHC-001-33	2	0.11 [0.05]
12	Threaded Rod Assembly	90548007	1	3.52 [1.60]
13	Alignment Plate	90531339	2	2.23 [1.01]
14	SwingAlign Yoke	90045491	1	2.54 [1.15]
15	Hex Lock Nut .75"-16	93400149	4	0.12 [0.05]
16	Washer .75"	93600077	4	0.04 [0.02]
17	Nut, Flange .50"-13 GR B - Air Spring	93400623	2	0.32 [0.15]
18	Hex Nut -.50" -13	93400136	2	0.40 [0.18]
19	Air Spring 14.0" Ride Height	90557330	2	12.30 [5.58]
	Air Spring 15.0" Ride Height	90557331		14.20 [6.44]
19	Air Spring 16.0 & 17.0" Ride Height	90557369	2	16.70 [7.57]
20	Plate, Mounting, Air Spring	90034247	2	5.50 [2.49]

* Replacement components should be purchased in Service Repair Kits listed on next page.

† For a non-standard suspension, contact SAF-HOLLAND Customer Service (800.876.3929) for frame brackets and shock absorber part numbers.

NOTE: When ordering Service Repair Kits, all necessary components to complete an axle installation are included.

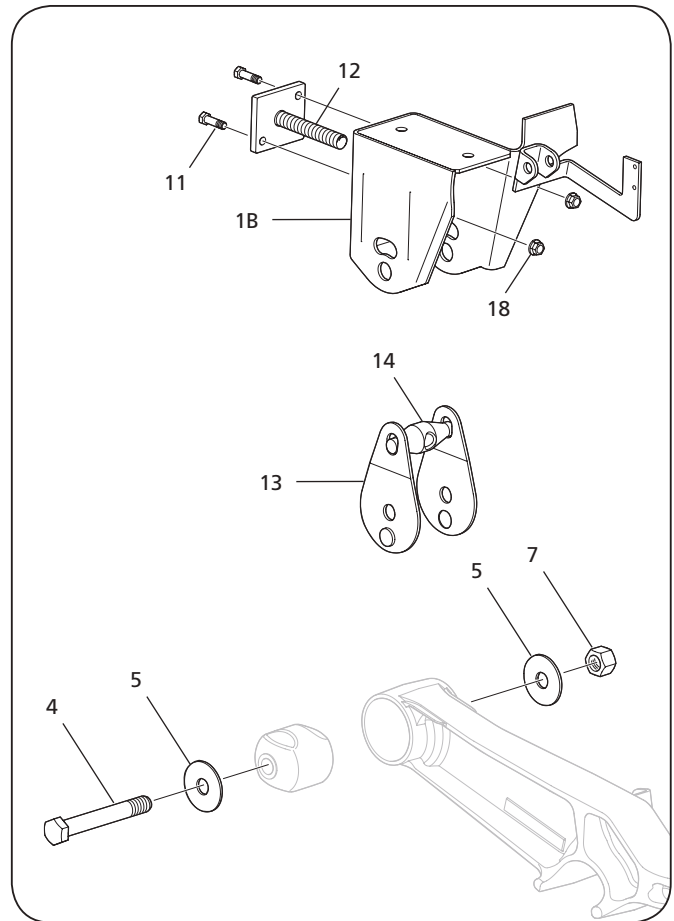
SwingAlign™ Frame Bracket Replacement Kits

14" Ride Height

Part Number: 48100462

SRK-598

ITEM	PART NUMBER	DESCRIPTION	QTY.	WEIGHT LBS. [KG]
1B	90521823	Frame Bracket, Roadside	1	23.10 [10.48]
4	93201070	Bolt, Hex, 1.12-7X8.0 Gr 8	2	2.69 [1.22]
5	93600553	Washer	4	0.46 [0.21]
7	93400506	Nut, Hex Lock 1.13" - 7 GR-C	2	0.38 [0.17]
11	XB-HHC-001-33	Bolt, Hex.50" - 13 x 1.75"	2	0.11 [0.05]
12	90548007	Threaded Rod Assembly	1	3.52 [1.60]
13	90531339	Alignment Plate	2	2.23 [1.01]
14	90045491	SwingAlign™ Yoke	1	2.54 [1.15]
18	93400136	Nut, Hex.50" - 13	2	0.40 [0.18]



15" Ride Height

Part Number: 48100464

SRK-600

ITEM	PART NUMBER	DESCRIPTION	QTY.	WEIGHT LBS. [KG]
1B	90521824	Frame Bracket, Roadside	1	25.30 [11.48]
4	93201070	Bolt, Hex, 1.12-7X8.0 Gr 8	2	2.69 [1.22]
5	93600553	Washer	4	0.46 [0.21]
7	93400506	Nut, Hex Lock 1.13" - 7 GR-C	2	0.38 [0.17]
11	XB-HHC-001-33	Bolt, Hex.50" - 13 x 1.75"	2	0.11 [0.05]
12	90548007	Threaded Rod Assembly	1	3.52 [1.60]
13	90531339	Alignment Plate	2	2.23 [1.01]
14	90045491	SwingAlign™ Yoke	1	2.54 [1.15]
18	93400136	Nut, Hex.50" - 13	2	0.40 [0.18]

16" & 17" Ride Heights

Part Number: 48100463

SRK-599

ITEM	PART NUMBER	DESCRIPTION	QTY.	WEIGHT LBS. [KG]
1B	90521825	Frame Bracket, Roadside	1	29.00 [13.15]
4	93201070	Bolt, Hex, 1.12-7X8.0 Gr 8	2	2.69 [1.22]
5	93600553	Washer	4	0.46 [0.21]
7	93400506	Nut, Hex Lock 1.13" - 7 GR-C	2	0.38 [0.17]
11	XB-HHC-001-33	Bolt, Hex.50" - 13 x 1.75"	2	0.11 [0.05]
12	90548007	Threaded Rod Assembly	1	3.52 [1.60]
14	90045491	SwingAlign™ Yoke	1	2.54 [1.15]
13	90531339	Alignment Plate	2	2.23 [1.01]
18	93400136	Nut, Hex.50" - 13	2	0.40 [0.18]

Fixed Frame Bracket Replacement Kits

14" Ride Height

Part Number: 48100465

SRK-601

ITEM	PART NUMBER	DESCRIPTION	QTY.	WEIGHT LBS. [KG]
1A	90521826	Frame Bracket, Curbside	1	25.70 [11.66]
4	93201070	Bolt, Hex, 1.12-7X8.0 Gr 8	2	2.69 [1.22]
5	93600553	Washer	4	0.46 [0.21]
7	93400506	Nut, Hex Lock 1.13" - 7 GR-C	2	0.38 [0.17]

15" Ride Height

Part Number: 48100466

SRK-602

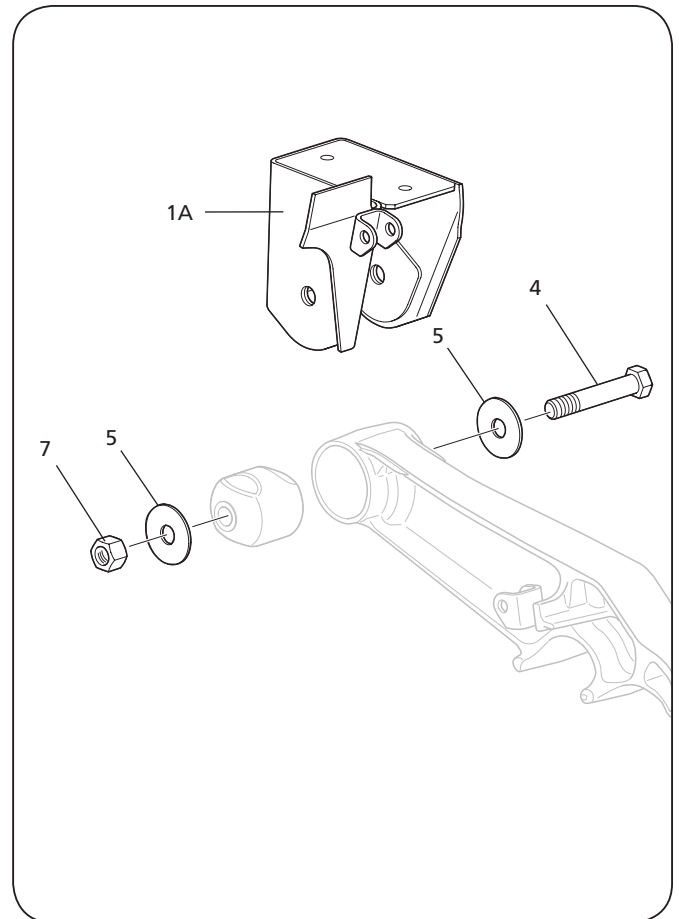
ITEM	PART NUMBER	DESCRIPTION	QTY.	WEIGHT LBS. [KG]
1A	90521827	Frame Bracket, Curbside	1	27.80 [12.61]
4	93201070	Bolt, Hex, 1.12-7X8.0 Gr 8	2	2.69 [1.22]
5	93600553	Washer	4	0.46 [0.21]
7	93400506	Nut, Hex Lock 1.13" - 7 GR-C	2	0.38 [0.17]

16" & 17" Ride Height

Part Number: 48100467

SRK-603

ITEM	PART NUMBER	DESCRIPTION	QTY.	WEIGHT LBS. [KG]
1A	90521828	Frame Bracket, Curbside	1	31.70 [14.38]
4	93201070	Bolt, Hex, 1.12-7X8.0 Gr 8	2	2.69 [1.22]
5	93600553	Washer	4	0.46 [0.21]
7	93400506	Nut, Hex Lock 1.13" - 7 GR-C	2	0.38 [0.17]

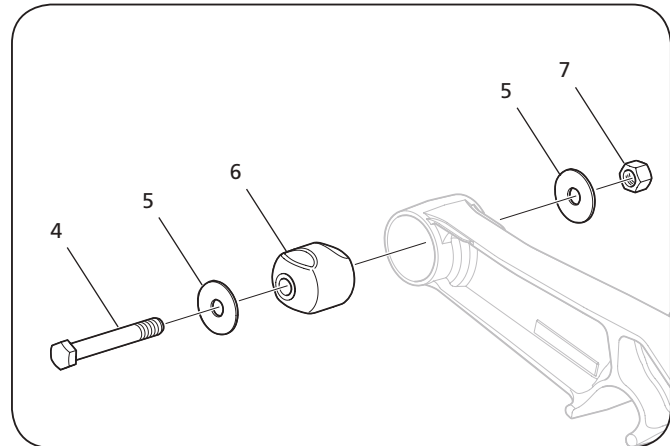


Pivot Connection Replacement Kit

Part Number: 48100394

SRK-530

ITEM	PART NUMBER	DESCRIPTION	QTY.	WEIGHT LBS. [KG]
4	93201070	Bolt,Hex,1.12-7X8.0 Gr 8	2	2.69 [1.22]
5	93600553	Washer	4	0.46 [0.21]
6	9008247	Rubber Bushing	2	3.90 [1.77]
7	93400506	Nut, Hex Lock 1.13" - 7 GR-C	2	0.38 [0.17]

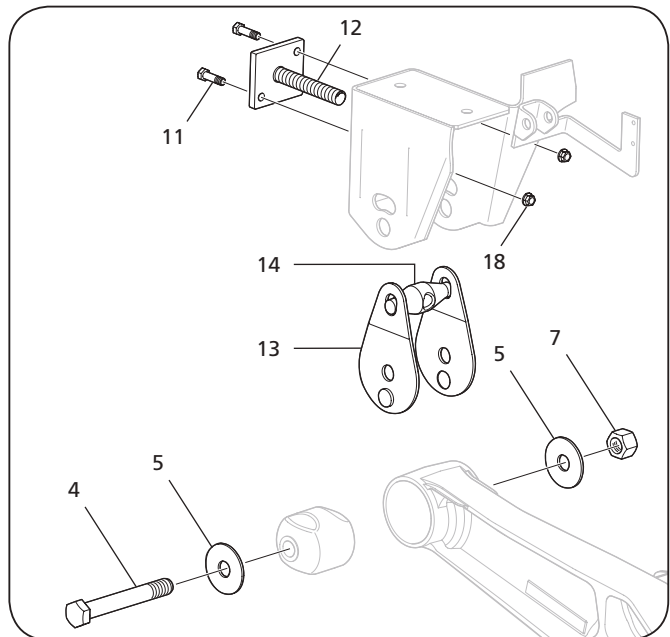


SwingAlign™ Replacement Kit

Part Number: 48100406

SRK-542

ITEM	PART NUMBER	DESCRIPTION	QTY.	WEIGHT LBS. [KG]
4	93201070	Bolt,Hex,1.12-7X8.0 Gr 8	2	2.69 [1.22]
5	93600553	Washer	4	0.46 [0.21]
7	93400506	Nut, Hex Lock 1.13" - 7 GR-C	2	0.38 [0.17]
11	XB-HHC-001-33	Bolt, Hex.50" - 13 x 1.75"	2	0.11 [0.05]
12	90548007	Threaded Rod Assembly	1	3.52 [1.60]
13	90531339	Alignment Plate	2	2.23 [1.01]
14	90045491	SwingAlign™ Yoke	1	2.54 [1.15]
18	93400136	Nut, Hex.50" - 13	2	0.40 [0.18]

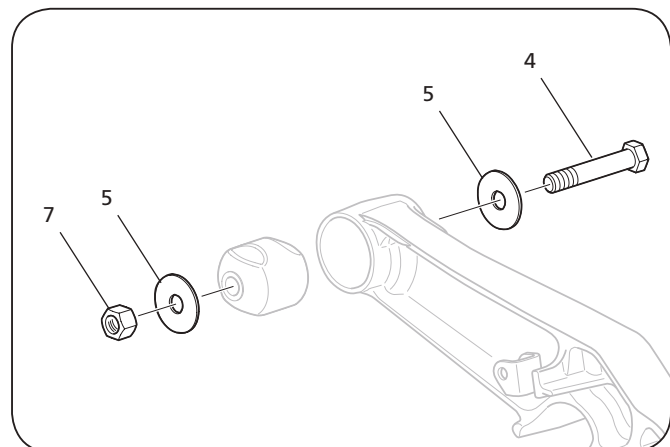


Pivot Connection Service Repair Kit

Part Number: 48100471

SRK-607

ITEM	PART NUMBER	DESCRIPTION	QTY.	WEIGHT LBS. [KG]
4	93201070	Bolt,Hex,1.12-7X8.0 Gr 8	2	2.69 [1.22]
5	93600553	Washer	4	0.46 [0.21]
7	93400506	Nut, Hex Lock 1.13" - 7 GR-C	2	0.38 [0.17]



Height Control Valve (HCV)

HEIGHT CONTROL VALVE KIT			
PART #	DESCRIPTION	PART NUMBER	WEIGHT LBS. [KG]
28	Max-Valve™ HCV - Non Dump	50860013	1.90 [0.86]
	Max-Valve™ HCV - Pressure Dump	50860014	2.10 [0.95]
	Max-Valve™ HCV - Zero Pressure Dump Normal Flow	50860015	2.00 [0.91]
	Max-Valve™ HCV - Zero Pressure Dump Low Flow	50860016	2.00 [0.91]

*All valves are set up for .38" fittings.

NOTE: Do not use the high flow valve when the trailer is equipped with PosiLok™ System.



Adjustable Height Control Linkage Kit

PART NUMBER	DESCRIPTION	WEIGHT LBS. [KG]
50860006	Adjustable Height Control Linkage Kit	2.00 [0.91]



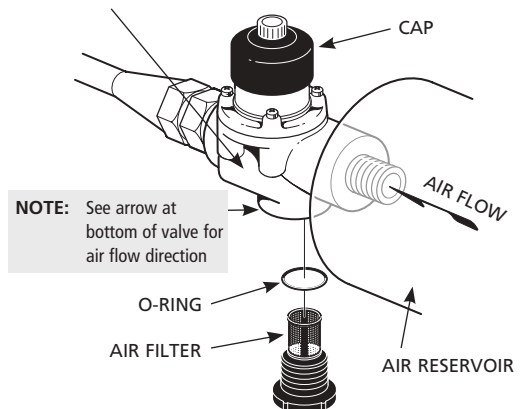
Pressure Protection Valve

DESCRIPTION	PART NUMBER	WEIGHT LBS. [KG]
Pressure Protection Valve	90560150	N/A
Optional Pressure Protection Valve	90554107	0.50 [0.23]



Optional Pressure Protection Valve

OPTIONAL PRESSURE PROTECTION VALVE

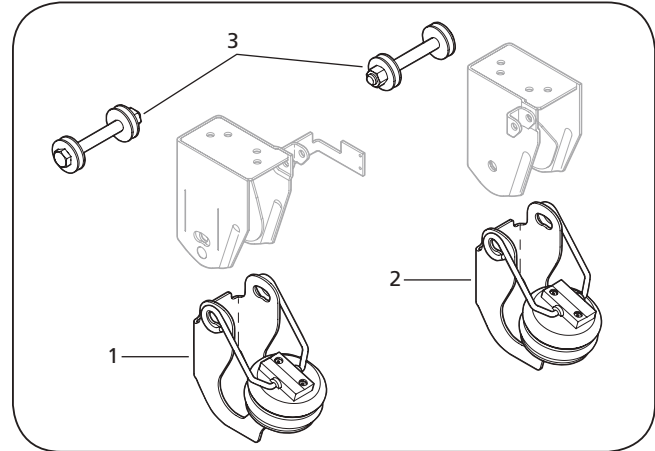


PosiLift™ Air Lift Kit

Part Number: 44100135*

ITEM	DESCRIPTION	PART NUMBER	QTY.	WEIGHT LBS. [KG]
1	Lift Assembly - Roadside Axle	90548535	1	22.00 [9.98]
2	Lift Assembly - Curbside Axle	90548537	1	22.00 [9.98]
3	Fastener Kit	11005156	1	11.80 [5.35]
	Literature Kit - PosiLift™ Air Lift	XM-44000069	1	N/A

NOTE: This is a complete PosiLift™ kit.

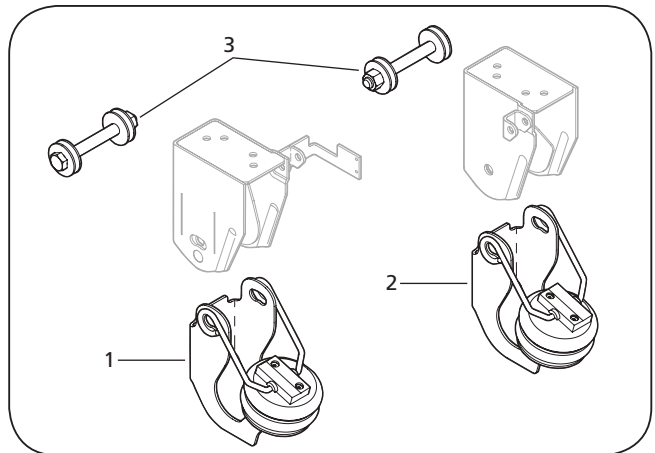


PosiLift™ Air Lift Kit

Part Number: 44100160*

ITEM	DESCRIPTION	PART NUMBER	QTY.	WEIGHT LBS. [KG]
1	Lift Assembly - Roadside Axle	90550292	1	22.00 [9.98]
2	Lift Assembly - Curbside Axle	90550293	1	22.00 [9.98]
3	Fastener Kit	11005156	1	11.80 [5.35]
	Literature Kit - PosiLift™ Air Lift	XM-44000089	1	N/A

NOTE: This is a complete PosiLift™ kit.



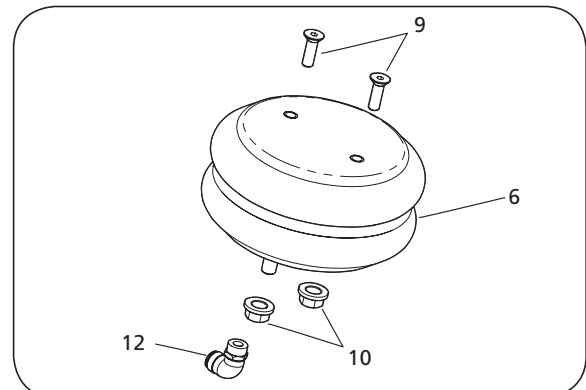
PosiLift™ Airspring Replacement Kit

Part Number: 48100497

SRK-631

ITEM	DESCRIPTION	PART NUMBER	QTY.	WEIGHT LBS. [KG]
6	Air Spring	90557366	1	8.00 [3.63]
9	Flat-Head Cap Screw	93006039	2	N/A
10	Nut, Flange .50"-13 GR B - Air Spring	93400623	2	0.32 [0.15]
12	Elbow Fitting	XB-09226	1	0.02 [0.01]
	Literature Kit	XM-44000069	1	N/A

NOTE: This kit is for one side of axle only.

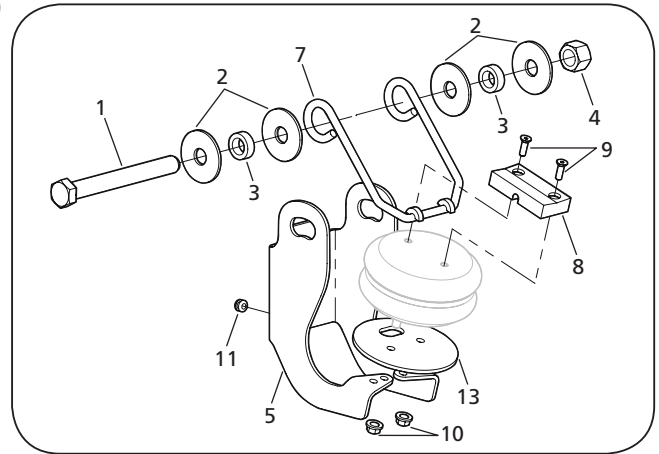


PosiLift™ Bracket Replacement Kit

Part Number: 48100496

SRK-630

ITEM	DESCRIPTION	PART NUMBER	QTY.	WEIGHT LBS. [KG]
1	Pivot Bolt - 1.13"-7 x 10"	93201072	1	3.20 [1.45]
2	Washer	93600553	4	0.46 [0.21]
3	Spacer 1.13" - 7	93900295	2	0.24 [0.11]
4	Nut,Hex,Lock 1.13-7 GR C	93400506	1	0.38 [0.17]
5	Pivot Mount Bracket	90026334	1	11.00 [4.99]
7	Guide Arm	90506037	1	2.00 [0.91]
8	Bearing Block	90045590	1	0.50 [0.23]
9	Flat-Head Cap Screw	93006039	2	0.01 [0.05]
10	Nut, Flange .50"-13 GR B - Swing Align	93400623	2	0.32 [0.15]
11	Grommet	90045591	1	0.01 [0.05]
13	Air Spring Mounting Plate	90034803	1	2.57 [1.17]
	Literature Kit	XM-44000069	1	N/A



PosiLift™

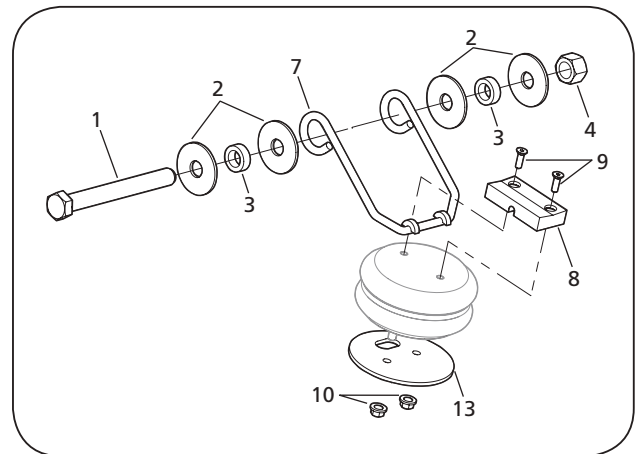
NOTE: This kit is for one side of axle only.

PosiLift™ Guide Arm and Bearing Block Replacement Kit

Part Number: 48100498

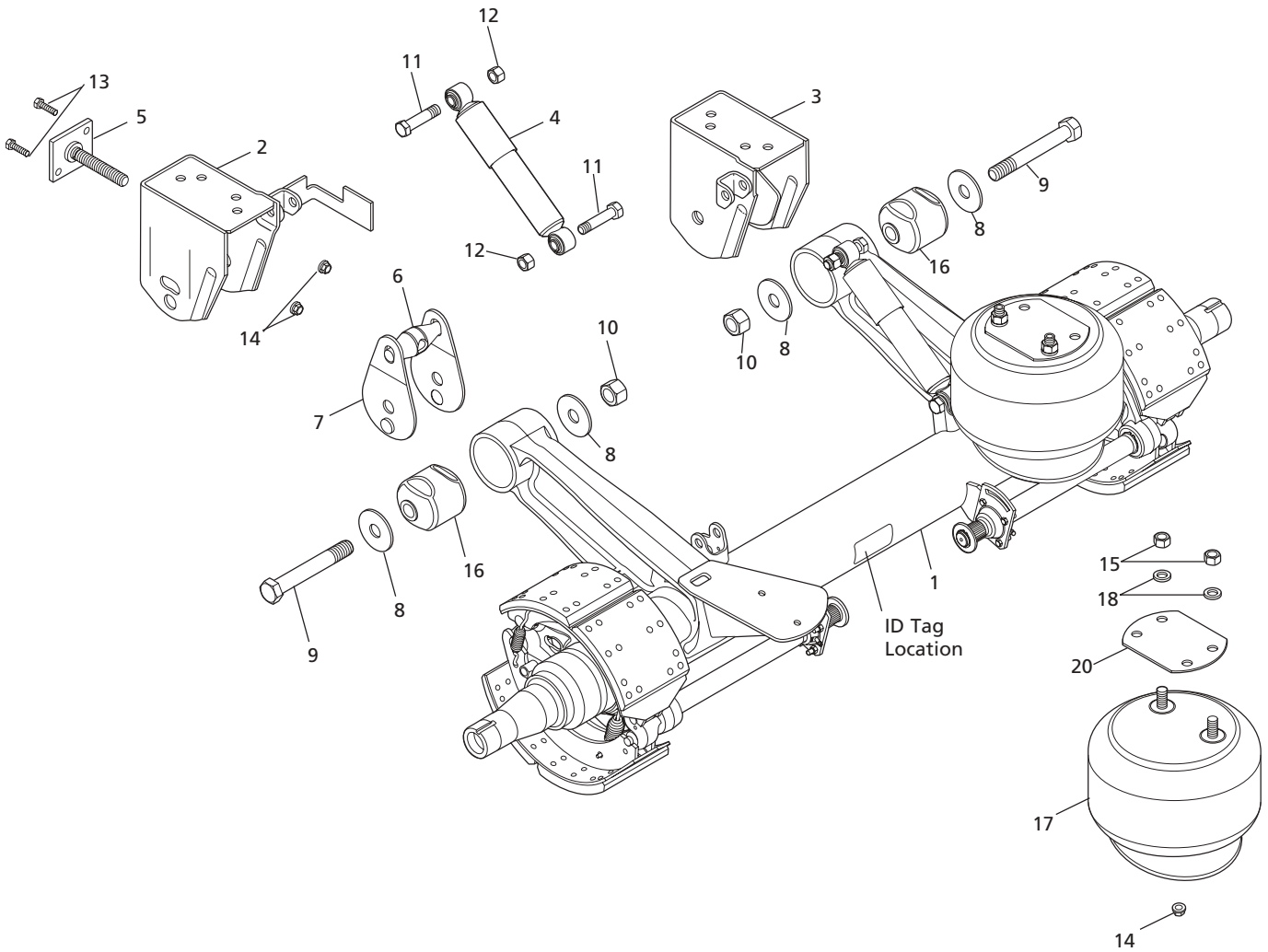
SRK-632

ITEM	DESCRIPTION	PART NUMBER	QTY.	WEIGHT LBS. [KG]
1	Pivot Bolt - 1.13"- 7 x 10"	93201072	1	3.20 [1.45]
2	Washer	93600553	4	0.46 [0.21]
3	Spacer	93900295	2	0.24 [0.11]
4	Nut,Hex,Lock 1.13-7 GR C	93400506	1	0.38 [0.17]
7	Guide Arm	90506037	1	2.00 [0.91]
8	Bearing Block	90045590	1	0.50 [0.23]
9	Flat-Head Cap Screw	93006039	2	N/A
10	Nut, Flange .50"-13 GR B - Air Spring	93400623	2	0.32 [0.15]
13	Air Spring Mounting Plate	90034803	1	2.57 [1.17]
	Literature Kit	XM-44000069	1	N/A



NOTE: This kit is for one side of axle only.

CBX23 W/245 Fusion Beam Exploded View

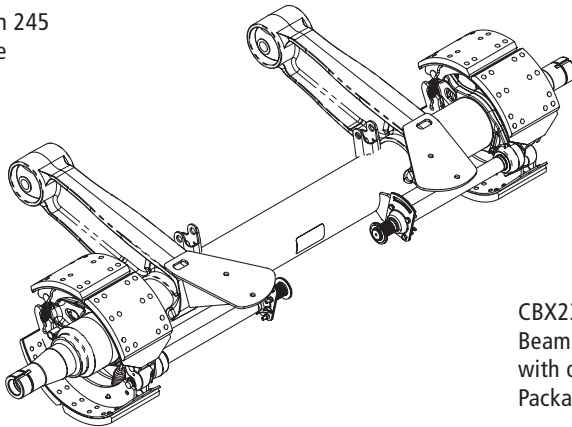


CBX23 W/245 FUSION BEAM PARTS LIST				
ITEM	DESCRIPTION	PART NUMBER	QTY PER AXLE	WEIGHT LBS. [KG]
1	CBX23 W/245 Fusion Axle and Beam Assembly	See Chart #1	1	See Chart #1
2	Frame Bracket	See Chart #2	1	See Chart #2
3	Frame Bracket	See Chart #2	1	See Chart #2
4*	Shock Absorber for Bracket Type #1, 3, 4, & 5- 14.0" Ride Height	90045381	2	4.50 [2.04]
	Shock Absorber for Bracket Type #1, 3, 4, & 5- 15.0" Ride Height	90045608		4.90 [2.22]
	Shock Absorber for Bracket Type #1, 3, 4, & 5- 16.0" & 17.0" Ride Height	90045299		4.33 [1.96]
	Shock Absorber for Bracket Type #1, 3, 4, & 5- 19.0" Ride Height	90044642		4.67 [2.12]
4*	Shock Absorber for Bracket Type #2- 14.0" Ride Height	90044868	2	3.96 [1.80]
	Shock Absorber for Bracket Type #2- 15.0" Ride Height	90045381		4.50 [2.04]
	Shock Absorber for Bracket Type #2- 17.0" Ride Height	90044162		4.85 [2.20]
	Shock Absorber for Bracket Type #2- 16.0" & 19.0" Ride Height	-		-
5	Threaded Rod Assy	90548007	1	3.52 [1.60]
6	Swing Align Yoke	90045491	1	2.54 [1.15]
7	Plate Weldment	90531339	2	2.23 [1.01]
8	Washer 1.14" I.D. x 3.50" O.D. GR8	93600553	4	0.46 [0.21]
9	Bolt, Hex 1.12" -7 x 8.00" Long GR8	93201070	2	2.69 [1.22]
10	Nut, Hex Lock 1.13" - 7 GR-C	93400506	2	0.38 [0.17]
11*	Bolt, Hex.75"-10 X 3.50" Long GR 5	93006035	4	0.56 [0.25]
12*	Nut Hex.75"-10 GR B	93400492	4	0.13 [0.06]
13*	Screw Hex Cap .50"-13 x 1.75" GR-5 ZC	XB-HHC-001-33	2	0.11 [0.05]
14	Nut Flange .50"-13 GR B - Swing Align	93400623	2	0.32 [0.15]
	Nut Flange .50"-13 GR B - Air Spring		2	
15*	Air Spring Top Mounting Nut .75"-16 GR B	93400149	4	0.12 [0.05]
16	Bushing, Cast Beam See 48100394	90008247	2	3.90 [1.77]
17	Air Spring Assy- 14.0" Ride Height	90557397	2	13.30 [6.03]
	Air Spring Assy- 15.0" Ride Height	90557398		13.60 [6.17]
	Air Spring Assy- 16.0"- 19.0" Ride Height	90557399		14.30 [6.49]
18	Washer .76" I.D. x 1.27" O.D.	93600077	2	0.04 [0.02]
20	Air Spring Mount Plate	90034247	2	5.50 [2.49]

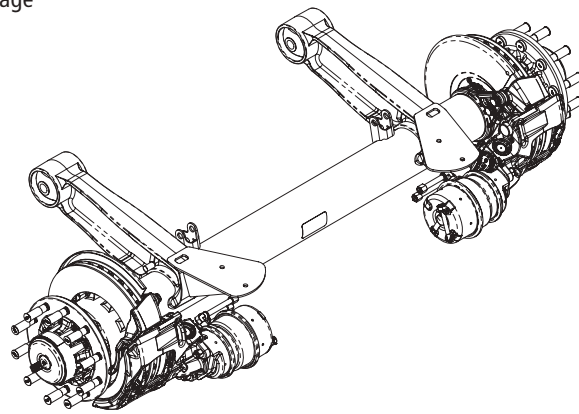
* See page 2-47 for Frame Brackets.

CBX23 W/245 Fusion Axle Beam

CBX23 with 245
Drum Brake



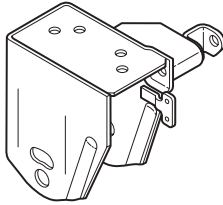
CBX23 with 245 Fusion
Beam Technology shown
with optional Disc Brake
Package



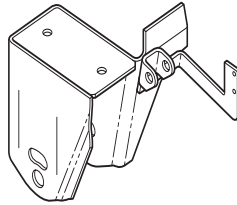
AXLE AND BEAM CHART #1 FOR FUSION CBX23 245

SPINDLE TYPE	DESCRIPTION	CAM BRAKED ONLY, NO PSI PREP, 16X7 BRAKE, NO CAM ENCLOSURES, MID CAMS	WEIGHT LBS. [KG]	DISC BRAKE WITH HUB, LONG STUDS, NO PSI, WITH DUST SHIELD	WEIGHT LBS. [KG]
Tapered	Braked Beam and Axle Assy. 71.5" Axle Track 35" Beam Centers	34790015090	414.00 [187.79]	–	N/A
Tapered	Braked Beam and Axle Assy. 71.5" Axle Track 36" Beam Centers	34790025090	414.00 [187.79]	–	N/A
Tapered	Braked Beam and Axle Assy. 77.5" Axle Track 41" Beam Centers	34790035090	414.00 [187.79]	–	N/A
Tapered	Braked Beam and Axle Assy. 77.5" Axle Track 42" Beam Centers	34790045090	427.00 [193.68]	–	N/A
Parallel	Braked Beam and Axle Assy. 71.5" Axle Track 35" Beam Centers	34790175090	427.00 [193.68]	–	N/A
Parallel	Braked Beam and Axle Assy. 71.5" Axle Track 36" Beam Centers	34790185090	427.00 [193.68]	–	N/A
Parallel	Braked Beam and Axle Assy. 77.5" Axle Track 41" Beam Centers	34790195090	391.00 [177.35]	1005300002020	726.00 [329.31]
Parallel	Braked Beam and Axle Assy. 77.5" Axle Track 42" Beam Centers	34790205090	424.00 [192.32]	1005300002620	726.00 [329.31]
Tapered	Braked Beam and Axle Assy. 71.5" Axle Track 36" Beam Centers Cambered	1004300000260	414.00 [187.79]	–	N/A
Tapered	Braked Beam and Axle Assy. 77.5" Axle Track 41" Beam Centers Cambered	1004300000270	427.00 [193.68]	–	N/A
Tapered	Braked Beam and Axle Assy. 77.5" Axle Track 42" Beam Centers Cambered	1004300000280	427.00 [193.68]	–	N/A
Parallel	Braked Beam and Axle Assy. 71.5" 36" Beam Centers Cambered	1004300000800	N/A	1005300002740	702.00 [318.42]
Parallel	Braked Beam and Axle Assy. 77.5" 41" Beam Centers Cambered	1004300000810	N/A	–	N/A
Parallel	Braked Beam and Axle Assy. 77.5" 42" Beam Centers Cambered	1004300000820	N/A	–	N/A

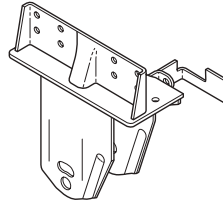
Weld-on



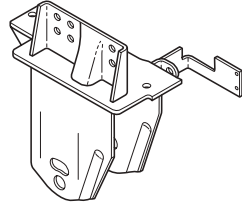
Weld-on w/ Wing



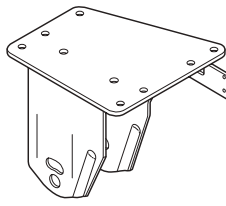
C-Channel Bolt-on (8 Bolt)



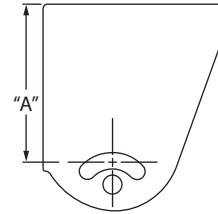
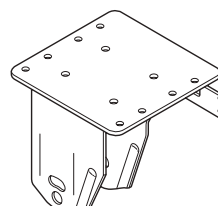
C-Channel Bolt-on (6 Bolt)



I-Beam Bolt-on (8 Holes)



I-Beam Bolt-on (9 Holes)

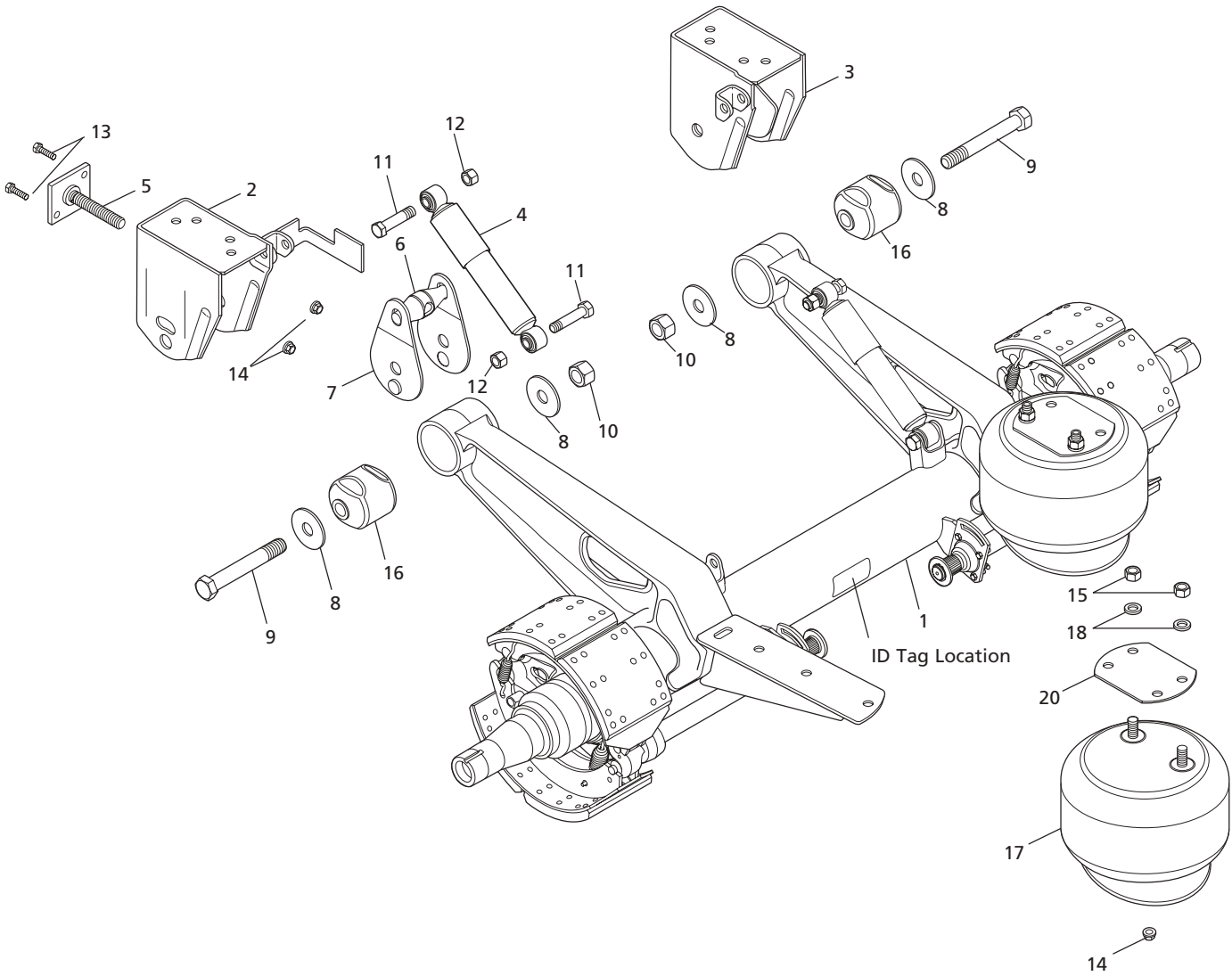


CBX23 W/245

FRAME BRACKET CHART #2 FOR FUSION CBX23 W/245

ITEM	DESCRIPTION	RIDE HEIGHT					APPROX. WEIGHT LBS. [KG]
		14.0" DIM A = 7.25"	15.0" DIM A = 8.25"	16.0" DIM A = 10.0"	17.0" DIM A = 10.0"	19.0" DIM A = 11.5"	
2	Weld-on Adjustable With HCV Mount	90521808	90521809	90521810	90521810	–	23.34 [10.59]
2	Weld-on w/ Wing Adjustable	90521823	90521824	–	90521825	–	25.80 [11.70]
2	C-Channel Bolt-on (8 Bolt), Adjustable with Shock Bracket	–	–	–	–	–	N/A
2	C-Channel, Adjustable Without Shock Bracket, Long Bracket	–	–	–	–	–	N/A
2	C-Channel (6 Bolt), Adjustable	–	–	–	–	–	N/A
2	I-Beam Bolt-on, Adjustable 8 Holes	–	–	–	–	90522347	59.00 [26.76]
2	I-Beam Bolt-on, Adjustable 9 Holes Flat Plate	–	–	–	–	–	N/A
3	Weld-on Non Adjustable	90521811	90521812	90521813	90521813	–	21.00 [9.53]
3	Weld-on w/ Wing Non Adjustable	90521826	90521827	–	90521828	–	28.40 [12.88]
3	I-Beam Bolt-on, Non Adjustable 8 Holes	–	–	–	90522238	90522423	58.00 [26.31]
3	I-Beam Bolt-on, Non Adjustable 9 Holes	–	–	–	–	–	N/A

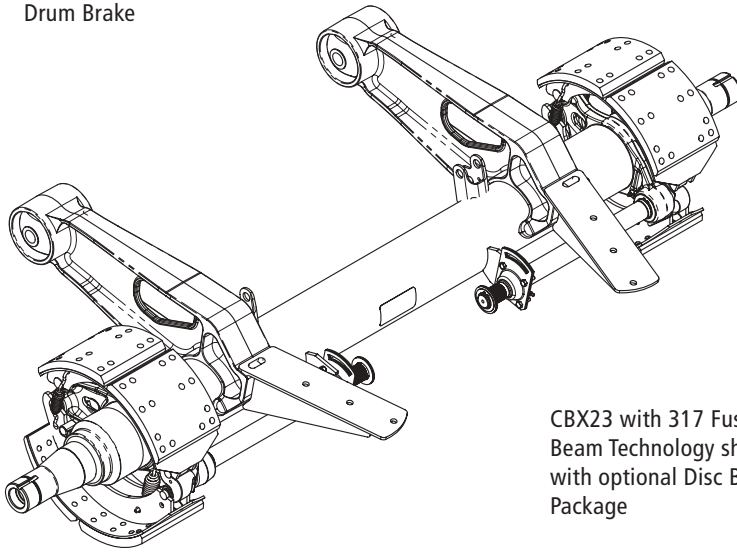
CBX23 W/317 Fusion Beam Exploded View



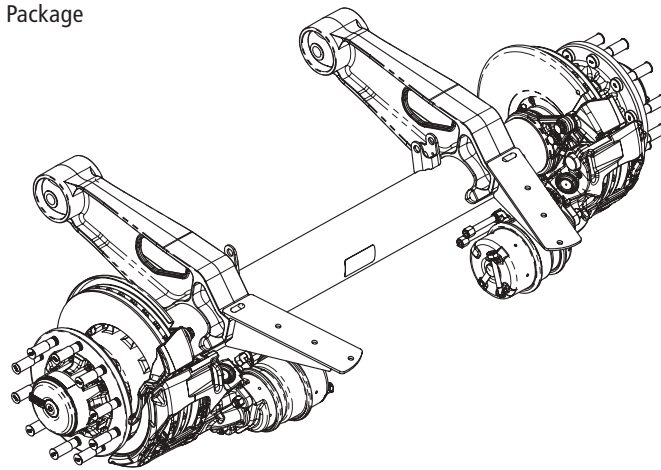
CBX23 W/317 FUSION BEAM PARTS LIST				
ITEM	DESCRIPTION	PART NUMBER	QTY PER AXLE	WEIGHT LBS. [KG]
1	CBX23 W/317 Fusion Axle and Beam Assembly	See Chart #1	1	See Chart #1
2	Frame Bracket	See Chart #2	1	See Chart #2
3	Frame Bracket	See Chart #2	1	See Chart #2
4	Shock Absorber for Bracket Style #1, 3, 4, & 5- 14.0" Ride Height	90045607	2	4.90 [2.22]
	Shock Absorber for Bracket Style #1, 3, 4, & 5- 15.0" Ride Height	90045608		4.90 [2.22]
	Shock Absorber for Bracket Style #1, 3, 4, & 5- 16.0" & 17.0" Ride Height	90045299		4.33 [1.96]
	Shock Absorber for Bracket Style #2- 14.0" & 16.0" Ride Height	-		-
	Shock Absorber for Bracket Style #2- 15.0" Ride Height	90045607		4.90 [2.22]
	Shock Absorber for Bracket Style #2- 17.0" Ride Height	90044162		4.85 [2.20]
5	Threaded Rod Assy	90548007	1	3.52 [1.60]
6	Swing Align Yoke	90045491	1	2.54 [1.15]
7	Plate Weldment	90531339	2	2.23 [1.01]
8	Washer 1.14" I.D. x 3.50" O.D. GR8	93600553	4	0.46 [0.21]
9	Bolt,Hex,1.12-7X8.0 Gr 8	93201070	2	2.69 [1.22]
10	Nut, Hex Lock 1.13" - 7 GR-C	93400506	2	0.38 [0.17]
11*	Bolt, Hex.75" - 10 X 3.50" Long GR 5	93006035	4	0.56 [0.25]
12*	Nut Hex.75" -10 GR B	93400492	4	0.13 [0.06]
13*	Screw Hex Cap .50" -13 x 1.75" GR-5 ZC	XB-HHC-001-33	2	0.11 [0.05]
14	Nut, Flange .50"-13 GR B - Swing Align	93400623	2	0.32 [0.15]
	Nut, Flange .50"-13 GR B - Air Spring		2	
15*	Air Spring Top Mounting Nut .75" -16 GR B	93400149	4	0.12 [0.05]
16	Bushing, Cast Beam See 48100394	90008247	2	3.90 [1.77]
17	Air Spring Aluminum Base 14.0" & 15.0" Ride Height - Alum. Base	90557373	2	16.14 [7.32]
	Air Spring Aluminum Base 16.0" & 17.0" Ride Height - Alum. Base	90557369		16.70 [7.57]
	Air Spring Assy- 14.0" & 15.0" Ride Height	90557403		12.70 [5.76]
	Air Spring Assy- 16.0" & 17.0" Ride Height	90557404		13.50 [6.12]
18	Washer, .76" I.D. x 1.27" O.D.	93600077	4	0.04 [0.02]
20	Air Spring Mount Plate	90034247	2	5.50 [2.49]

CBX23 W/317 Fusion Axle Beam

CBX23 with 317
Drum Brake



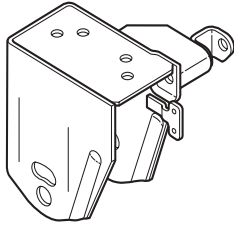
CBX23 with 317 Fusion
Beam Technology shown
with optional Disc Brake
Package



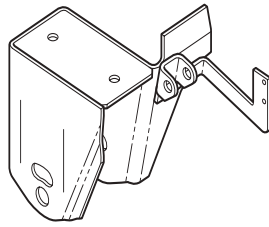
AXLE AND BEAM CHART #1 FOR FUSION CBX23 W/317

SPINDLE TYPE	DESCRIPTION	CAM BRAKED ONLY, NO PSI PREP, 16X7 BRAKE, NO CAM ENCLOSURES, MID CAMS	WEIGHT LBS. [KG]	DISC BRAKE WITH HUB, LONG STUDS, NO PSI, WITH DUST SHIELD, WITHOUT NUTS	WEIGHT LBS. [KG]
Tapered	Braked Beam and Axle Assy. 71.5" Axle Track 35" Beam Centers	64710605090	426.00 [193.23]	–	N/A
Tapered	Braked Beam and Axle Assy. 77.5" Axle Track 41" Beam Centers	64710625090	439.00 [199.13]	–	N/A
Parallel	Braked Beam and Axle Assy. 71.5" Axle Track 35" Beam Centers	64710685090	420.00 [190.51]	–	N/A
Parallel	Braked Beam and Axle Assy. 77.5" Axle Track 41" Beam Centers	–	N/A	1005300001540	793.00 [359.70]
Tapered	Braked Beam and Axle Assy. 71.5" Axle Track 35" Beam Centers Cambered	74710155090	426.00 [193.23]	–	N/A
Tapered	Braked Beam and Axle Assy. 71.5" Axle Track 36" Beam Centers Cambered	1004300000930	426.00 [193.23]	–	N/A
Tapered	Braked Beam and Axle Assy. 77.5" Axle Track 41" Beam Centers Cambered	74710175090	439.00 [199.13]	–	N/A
Tapered	Braked Beam and Axle Assy. 77.5" Axle Track 42" Beam Centers Cambered	74710185090	439.00 [199.13]	–	N/A
Parallel	Braked Beam and Axle Assy. 71.5" Axle Track 35" Beam Centers Cambered	74710235090	423.00 [191.87]	–	N/A
Parallel	Braked Beam and Axle Assy. 71.5" Axle Track 36" Beam Centers Cambered	1004300000890	431.00 [195.50]	1005300001440	794.00 [360.15]
Parallel	Braked Beam and Axle Assy. 77.5" Axle Track 41" Beam Centers Cambered	74710255090	436.00 [197.77]	1005300002220	801.00 [363.33]
Parallel	Braked Beam and Axle Assy. 77.5" Axle Track 42" Beam Centers Cambered	74710265090	439.00 [199.13]	1005300001460	801.00 [363.33]

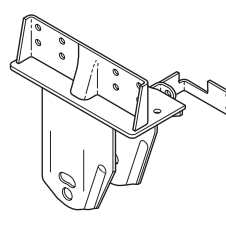
Weld-on



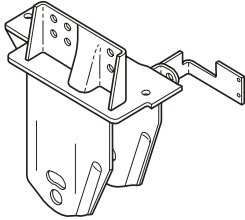
Weld-on w/ Wing



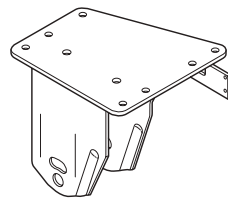
C-Channel Bolt-on (8 Bolt)



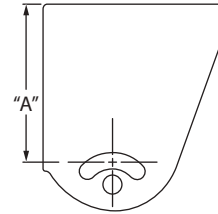
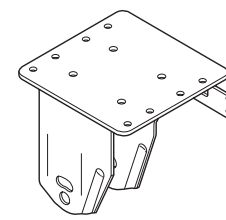
C-Channel Bolt-on (6 Bolt)



I-Beam Bolt-on (8 Holes)



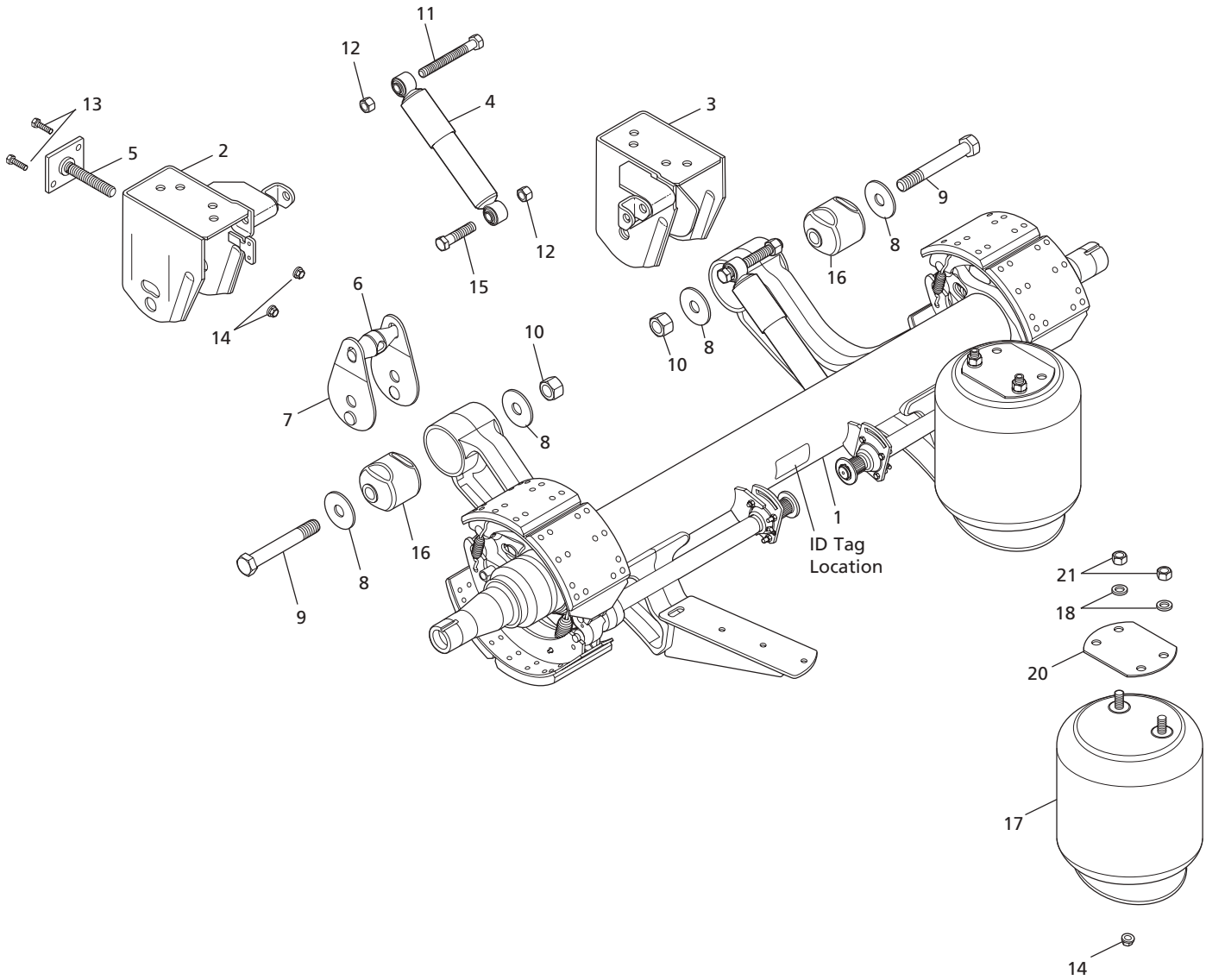
I-Beam Bolt-on (9 Holes)



FRAME BRACKET CHART #2 FOR FUSION CBX23 W/317		RIDE HEIGHT				APPROX. WEIGHT LBS. [KG]
ITEM	DESCRIPTION	14.0" DIM A = 7.25"	15.0" DIM A = 8.25"	16.0" DIM A = 10.0"	17.0" DIM A = 10.0"	
2	Weld-on Adjustable With HCV Mount	90521808	90521809	90521810	90521810	23.34 [10.59]
2	Weld-on w/ Wing Adjustable	90521823	90521824	90521825	90521825	25.80 [11.70]
2	C-Channel Bolt-on (8 Bolt), Adjustable With Shock Bracket , Side Plate	-	-	-	90522275	42.90 [19.46]
2	C-Channel Bolt-on (8 Bolt), Adjustable Without Shock Bracket, Long Bracket	90522519	-	-	-	37.60 [17.06]
2	C-Channel Bolt-on (6 Bolt), Adjustable	-	-	-	-	N/A
2	I-Beam Bolt-on, Adjustable 8 Holes	90522340	90522096	90522096	-	44.20 [20.05]
2	I-Beam Bolt-on Adjustable 9 Holes, Flat Plate	90522170	90522168	90522168	90522477	50.30 [22.82]
3	Weld-on Non Adjustable	90521811	90521812	90521813	90521813	21.00 [9.53]
3	Weld-on w/ Wing Non Adjustable	90521826	90521827	90521828	90521828	28.40 [12.88]
3	C-Channel Bolt-on (6 Bolt), Non Adjustable With Shock Bracket	90522319	90522265	-	90522276	34.63 [15.71]
3	C-Channel Bolt-on, Non Adjustable Without Shock Bracket	90522520	-	-	-	39.70 [18.01]
3	I-Beam Bolt-on (8 Holes), Non Adjustable	90522342	90522097	90522097	90522343	47.63 [21.60]
3	I-Beam Bolt-on (9 Holes), Non Adjustable	90522171	90522169	90522056	90522056	52.83 [23.96]

CBX23 W/317

CBX23U W/342 Fusion Beam Exploded View

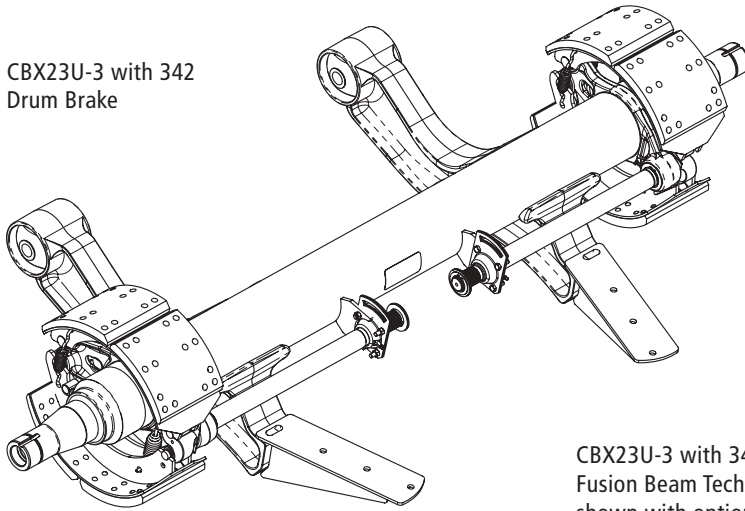


CBX23U W/342 FUSION BEAM PARTS LIST

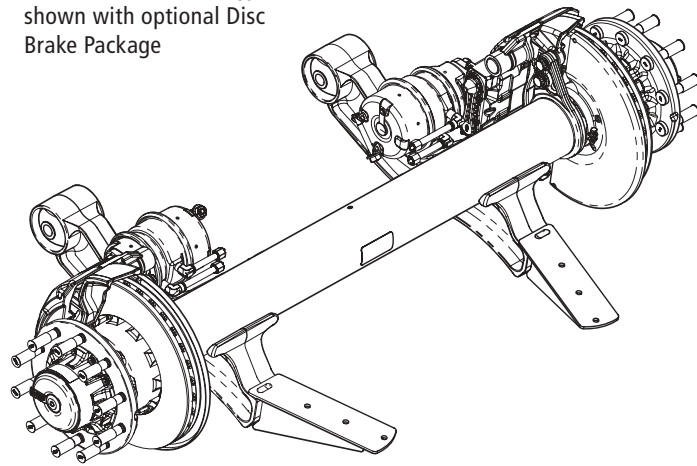
ITEM	DESCRIPTION	PART NUMBER	QTY PER AXLE	WEIGHT LBS. [KG]
1	CBX23U W/342 Fusion Axle and Beam Assembly	See Chart #1	1	See Chart #1
2	Frame Bracket	See Chart #2	1	See Chart #2
3	Frame Bracket	See Chart #2	1	See Chart #2
4	Shock Absorber 6.0" & 7.0" Ride Height	90044868	2	3.96 [1.80]
	Shock Absorber 8.0" Ride Height	90045608		4.90 [2.22]
	Shock Absorber 9.0" Ride Height	90044162		4.85 [2.20]
	Shock Absorber 10.0" Ride Height	90045040		5.19 [2.35]
5	Threaded Rod Assy	90548007	1	3.52 [1.60]
6	Swing Align Yoke	90045491	1	2.54 [1.15]
7	Plate Weldment	90531339	2	2.23 [1.01]
8	Washer 1.14" I.D. x 3.50" O.D. GR8	93600553	4	0.46 [0.21]
9	Bolt, Hex 1.13"-7 x 8.00" Long GR8	93201070	2	2.69 [1.22]
10	Nut, Hex Lock 1.13" - 7 GR-C	93400506	2	0.38 [0.17]
11	Bolt, Hex .75"-10 X 6.50" Long GR 8	93003671	2	0.10 [0.05]
12	Nut, Hex .75"-10 GR B	93400492	4	0.13 [0.06]
13	Screw Hex Cap .50"-13 x 1.75" GR-5 ZC	XB-HHC-001-33	2	0.11 [0.05]
14	Nut, Flange .50" -13 GR B - Swing Align	93400623	2	0.32 [0.15]
	Nut, Flange .50" -13 GR B - Air Spring			
15	Bolt, Hex .75"-10 x 3.00" GR8 Lower Shock	93003585	2	0.10 [0.05]
16	Bushing, Cast Beam See Kit 48100394	90008247	2	3.90 [1.77]
17	Air Spring Assy- 6.0" Ride Height	90557403	2	12.70 [5.76]
	Air Spring Assy- 7.0" Ride Height	90557404		13.50 [6.12]
	Air Spring Assy- 8.0" - 12.0" Ride Height	90557377		16.10 [7.30]
18	Washer, .76" I.D. x 1.27" O.D.	93600077	4	0.04 [0.02]
20	Air Spring Mount Plate	90034247	2	5.50 [2.49]
21	Nut, Hex .75"-16 GR B	93400149	4	0.12 [0.05]

CBX23U-3 W/342 Fusion Axle and Beam

CBX23U-3 with 342
Drum Brake



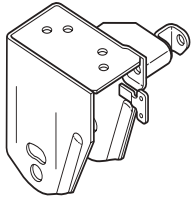
CBX23U-3 with 342
Fusion Beam Technology
shown with optional Disc
Brake Package



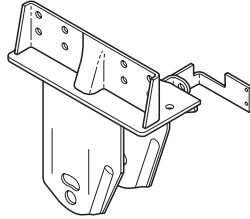
AXLE AND BEAM CHART #1 FOR FUSION CBX23U-3 W/342

SPINDLE TYPE	DESCRIPTION	CAM BRAKED ONLY, NO PSI PREP, 16X7 BRAKE, NO CAM ENCLOSURES, LONG CAMS	WEIGHT LBS. [KG]	DISC BRAKE WITH HUB, LONG STUDS, NO PSI, WITH DUST SHIELD, WITHOUT NUTS	WEIGHT LBS. [KG]
Tapered	Braked Beam and Axle Assy. 71.5" Axle Track 35" Beam Centers	1004300002500	456.00 [206.84]	-	N/A
Tapered	Braked Beam and Axle Assy. 71.5" Axle Track 36" Beam Centers	1004300002510	456.00 [206.84]	-	N/A
Tapered	Braked Beam and Axle Assy. 77.5" Axle Track 41" Beam Centers	1004300002520	468.00 [212.28]	-	N/A
Tapered	Braked Beam and Axle Assy. 77.5" Axle Track 42" Beam Centers	1004300002530	468.00 [212.28]	-	N/A
Parallel	Braked Beam and Axle Assy. 71.5" Axle Track 35" Beam Centers	1004300002580	453.00 [205.48]	1005300001240	810.00 [367.41]
Parallel	Braked Beam and Axle Assy. 71.5" Axle Track 36" Beam Centers	1004300002590	453.00 [205.48]	-	N/A
Parallel	Braked Beam and Axle Assy. 77.5" Axle Track 41" Beam Centers	1004300002600	465.00 [210.92]	1005300001260	822.00 [372.85]
Parallel	Braked Beam and Axle Assy. 77.5" Axle Track 42" Beam Centers	1004300002610	465.00 [210.92]	-	N/A
Tapered	Braked Beam and Axle Assy. 77.5" Axle Track 41" Beam Centers Cambered	-	N/A	1005300002360	822.00 [372.85]
Parallel	Braked Beam and Axle Assy. 77.5" 41" Beam Centers Cambered	-	N/A	1005300002360	822.00 [372.85]

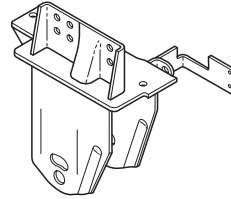
Weld-on



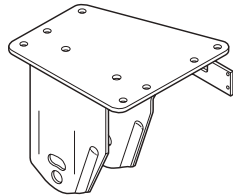
C-Channel Bolt-on (8 Bolt)



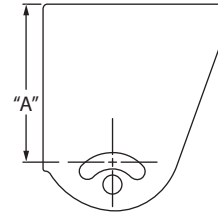
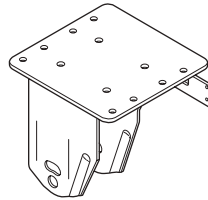
C-Channel Bolt-on (6 Bolt)



I-Beam Bolt-on (8 Holes)



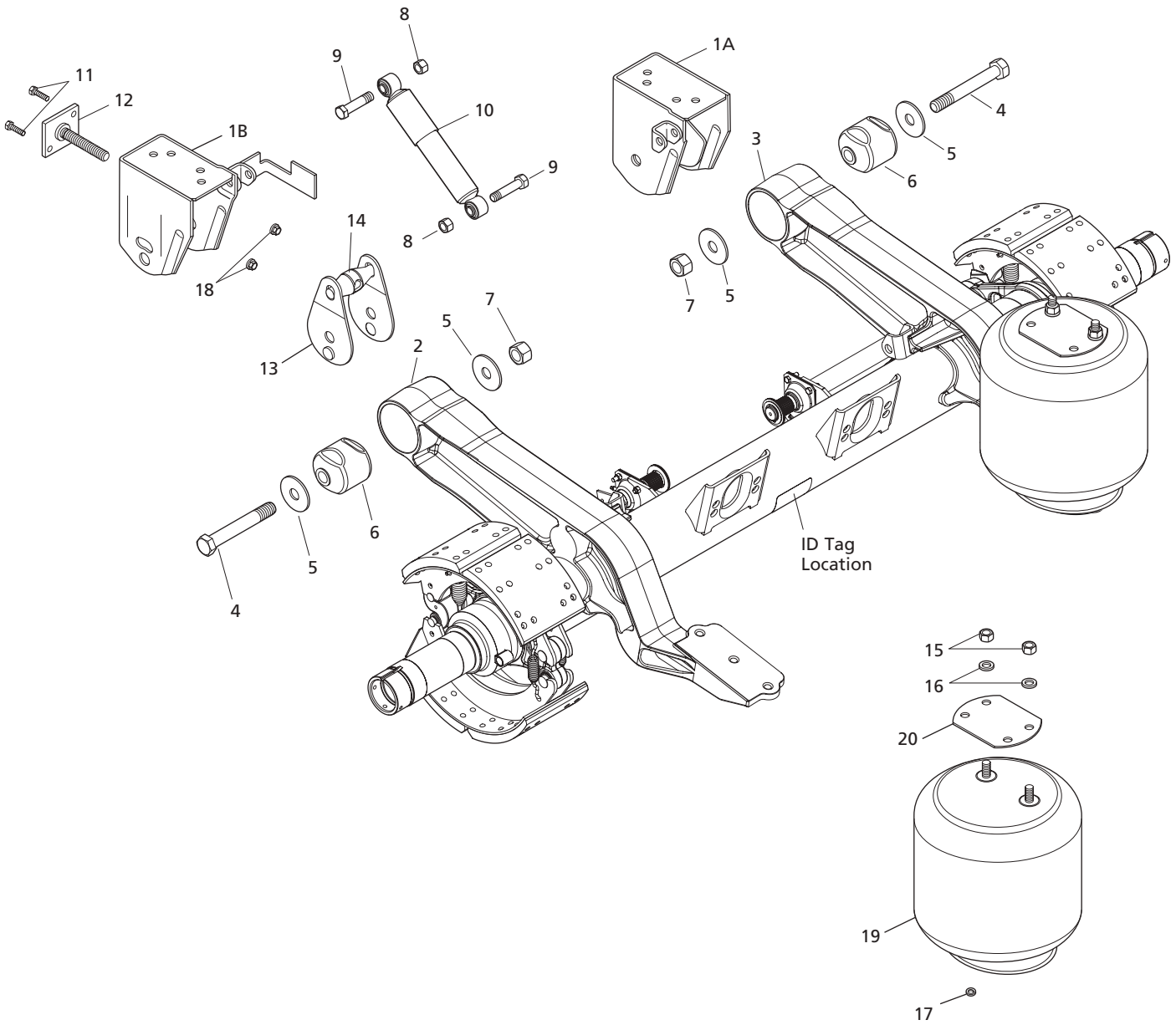
I-Beam Bolt-on (9 Holes)



FRAME BRACKET CHART #2 FOR FUSION CBX23U-3 W/342		RIDE HEIGHT						APPROX WEIGHT LBS. [KG]
ITEM	DESCRIPTION	6.0" DIM A = 7.25"	6.50" DIM A = 7.25"	7.0" DIM A = 7.25"	8.0" DIM A = 7.25"	9.0" DIM A = 7.25"	10.0" DIM A = 7.25"	
2	Weld-on Adjustable With HCV Mount	90522405	90522405	90522405	90522406	90522407	90522408	25.90 [11.75]
2	C-Channel Bolt-On (8 Bolt), Adjustable, Side Plate	-	-	90522519	-	-	-	37.60 [17.06]
2	C-Channel Bolt-on (6 Bolt), Adjustable, Side Plate	-	-	-	-	-	-	N/A
2	I-Beam Bolt-on (8 Holes), Adjustable	-	-	90522438	-	-	-	42.70 [19.37]
2	I-Beam Bolt-on (9 Holes), Adjustable, Flat Plate	-	-	90522170	90522168	-	-	49.00 [22.23]
3	Weld-on Non Adjustable With HCV Mount	90522410	90522410	90522410	90522412	90522414	90522416	29.60 [13.43]
3	C-Channel Bolt-on (8 Bolt), Non Adjustable, Side Plate	-	-	90522520	-	-	-	39.70 [18.01]
3	C-Channel Bolt-on (6 Bolt), Non Adjustable, Slide Plate	-	-	-	-	-	-	N/A
3	I-Beam Bolt-on (8 Holes), Non Adjustable, Flat Plate	-	-	90522439	-	-	-	44.50 [20.18]
3	I-Beam Bolt-on (9 Holes), Non Adjustable, Flat Plate	-	-	90522171	90522169	-	-	51.40 [23.31]

CBX23U W/342

CBX25 Suspension Exploded View



CBX25 PARTS LIST				
ITEM	DESCRIPTION	PART NUMBER	QTY	WEIGHT LBS. [KG]
1A*†	Frame Bracket (Welded) - with integral brace 14.0" Ride Height	48100465	1	See next page
	Frame Bracket (Welded) - with integral brace 15.0" Ride Height	48100466		See next page
	Frame Bracket (Welded) - with integral brace 16.0 & 17.0" Ride Height	48100467		See next page
1B*†	Frame Bracket (SwingAlign) - with integral brace 14.0" Ride Height	48100462	1	See next page
	Frame Bracket (SwingAlign) - with integral brace 15.0" Ride Height	48100464		See next page
	Frame Bracket (SwingAlign) - with integral brace 16.0 & 17.0" Ride Height	48100463		See next page
2	Equalizing Beam LH (roadside - bushed beam only)	N/A	-	N/A
3	Equalizing Beam RH (curbside - bushed beam only)	N/A	-	N/A
4*	Bolt,Hex,1.12-7X8.0 Gr 8	93201070	2	2.69 [1.22]
5*	Pivot Connection Washer	93600553	4	0.46 [0.21]
6*	Bushing	90008247	2	3.90 [1.77]
7*	Nut, Hex Lock 1.13" - 7 GR-C	93400506	2	0.38 [0.17]
8	Hex Lock Nut .75"-10	93400492	4	0.13 [0.06]
9	Hex Bolt .75"-10 x 3.50" GR 5	93006035	4	0.56 [0.25]
10†	Shock Absorber 14.0" Ride Height	90044868	2	3.96 [1.80]
	Shock Absorber 15.0" Ride Height	90045381		4.50 [2.04]
	Shock Absorber 16.0" & 17.0" Ride Height	90045298		4.90 [2.22]
11	Hex Bolt .50"-13 x 1.75"	XB-HHC-001-33	2	0.11 [0.05]
12	Threaded Rod Assembly	90548007	1	3.52 [1.60]
13	Alignment Plate	90531339	2	2.23 [1.01]
14	SwingAlign Yoke	90045491	1	2.54 [1.15]
15	Hex Lock Nut .75"-16	93400149	4	0.12 [0.05]
16	Washer .75"	93600077	4	0.04 [0.02]
17	Nut, Flange .50"-13 GR B - Air Spring	93400623	2	0.32 [0.15]
18	Hex Nut -.50" -13	93400136	2	0.40 [0.18]
19	Air Spring 14.0" Ride Height	90557330	2	12.30 [5.58]
	Air Spring 15.0" Ride Height	90557331		14.20 [6.44]
	Air Spring 16.0 & 17.0" Ride Height	90557369		16.70 [7.57]
20	Plate, Mounting, Air Spring	90034247	2	5.50 [2.49]

CBX25

* Replacement components should be purchased in Service Repair Kits listed on next page.

† For a non-standard suspension, contact SAF-HOLLAND Customer Service (800.876.3929) for frame brackets and shock absorber part numbers.

NOTE: When ordering Service Repair Kits, all necessary components to complete an axle installation are included.

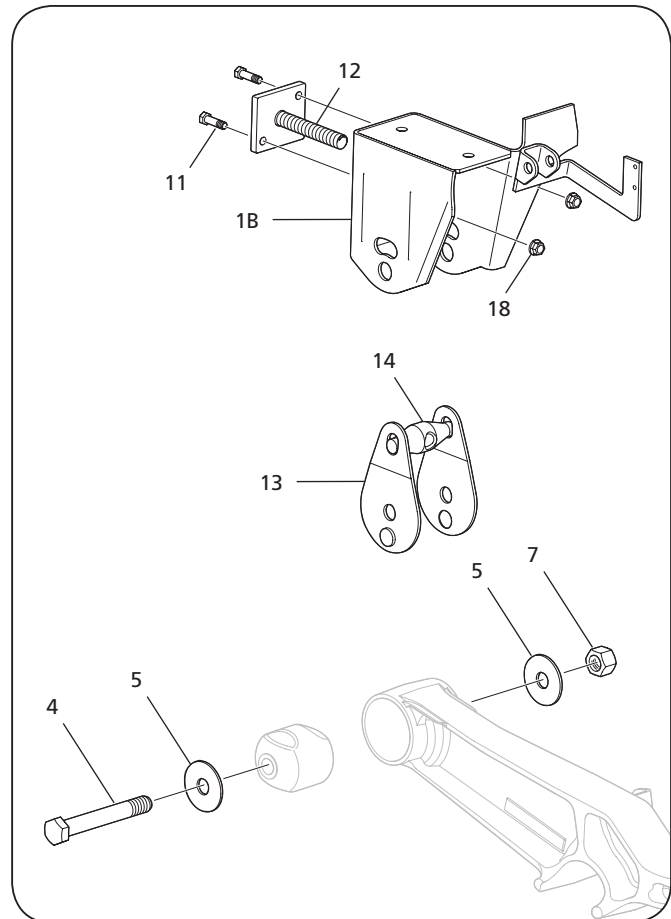
SwingAlign™ Frame Bracket Replacement Kits

14" Ride Height

Part Number: 48100462

SRK-598

ITEM	PART NUMBER	DESCRIPTION	QTY.	WEIGHT LBS. [KG]
1B	90521823	Frame Bracket, Roadside	1	23.10 [10.48]
4	93201070	Bolt, Hex, 1.12-7X8.0 Gr 8	2	2.69 [1.22]
5	93600553	Washer	4	0.46 [0.21]
7	93400506	Nut, Hex Lock 1.13" - 7 GR-C	2	0.38 [0.17]
11	XB-HHC-001-33	Bolt, Hex.50" - 13 x 1.75"	2	0.11 [0.05]
12	90548007	Threaded Rod Assembly	1	3.52 [1.60]
13	90531339	Alignment Plate	2	2.23 [1.01]
14	90045491	SwingAlign™ Yoke	1	2.54 [1.15]
18	93400136	Nut, Hex.50" - 13	2	0.40 [0.18]



15" Ride Height

Part Number: 48100464

SRK-600

ITEM	PART NUMBER	DESCRIPTION	QTY.	WEIGHT LBS. [KG]
1B	90521824	Frame Bracket, Roadside	1	25.30 [11.48]
4	93201070	Bolt, Hex, 1.12-7X8.0 Gr 8	2	2.69 [1.22]
5	93600553	Washer	4	0.46 [0.21]
7	93400506	Nut, Hex Lock 1.13" - 7 GR-C	2	0.38 [0.17]
11	XB-HHC-001-33	Bolt, Hex.50" - 13 x 1.75"	2	0.11 [0.05]
12	90548007	Threaded Rod Assembly	1	3.52 [1.60]
13	90531339	Alignment Plate	2	2.23 [1.01]
14	90045491	SwingAlign™ Yoke	1	2.54 [1.15]
18	93400136	Nut, Hex.50" - 13	2	0.40 [0.18]

16" & 17" Ride Height

Part Number: 48100463

SRK-599

ITEM	PART NUMBER	DESCRIPTION	QTY.	WEIGHT LBS. [KG]
1B	90521825	Frame Bracket, Roadside	1	29.00 [13.15]
4	93201070	Bolt, Hex, 1.12-7X8.0 Gr 8	2	2.69 [1.22]
5	93600553	Washer	4	0.46 [0.21]
7	93400506	Nut, Hex Lock 1.13" - 7 GR-C	2	0.38 [0.17]
11	XB-HHC-001-33	Bolt, Hex.50" - 13 x 1.75"	2	0.11 [0.05]
12	90548007	Threaded Rod Assembly	1	3.52 [1.60]
13	90531339	Alignment Plate	2	2.23 [1.01]
14	90045491	SwingAlign™ Yoke	1	2.54 [1.15]
18	93400136	Nut, Hex.50" - 13	2	0.40 [0.18]

Fixed Frame Bracket Replacement Kits

14" Ride Height

Part Number: 48100465

SRK-601

ITEM	PART NUMBER	DESCRIPTION	QTY.	WEIGHT LBS. [KG]
1A	90521826	Frame Bracket, Curbside	1	25.70 [11.66]
4	93201070	Bolt, Hex, 1.12-7X8.0 Gr 8	2	2.69 [1.22]
5	93600553	Washer	4	0.46 [0.21]
7	93400506	Nut, Hex Lock 1.13" - 7 GR-C	2	0.38 [0.17]

15" Ride Height

Part Number: 48100466

SRK-602

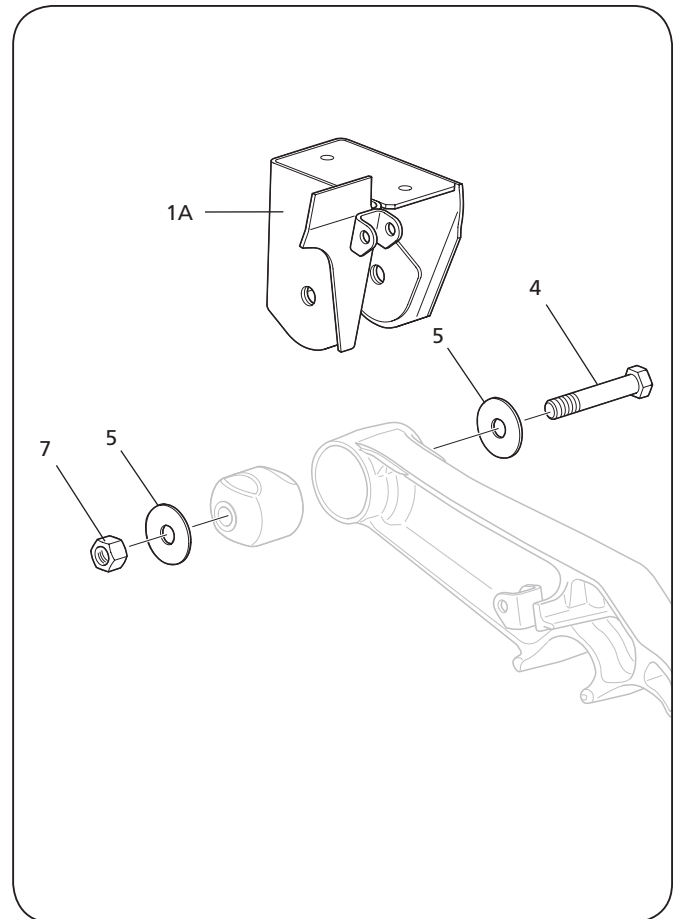
ITEM	PART NUMBER	DESCRIPTION	QTY.	WEIGHT LBS. [KG]
1A	90521827	Frame Bracket, Curbside	1	27.80 [12.61]
4	93201070	Bolt, Hex, 1.12-7X8.0 Gr 8	2	2.69 [1.22]
5	93600553	Washer	4	0.46 [0.21]
7	93400506	Nut, Hex Lock 1.13" - 7 GR-C	2	0.38 [0.17]

16" & 17" Ride Height

Part Number: 48100467

SRK-603

ITEM	PART NUMBER	DESCRIPTION	QTY.	WEIGHT LBS. [KG]
1A	90521828	Frame Bracket, Curbside	1	31.70 [14.38]
4	93201070	Bolt, Hex, 1.12-7X8.0 Gr 8	2	2.69 [1.22]
5	93600553	Washer	4	0.46 [0.21]
7	93400506	Nut, Hex Lock 1.13" - 7 GR-C	2	0.38 [0.17]



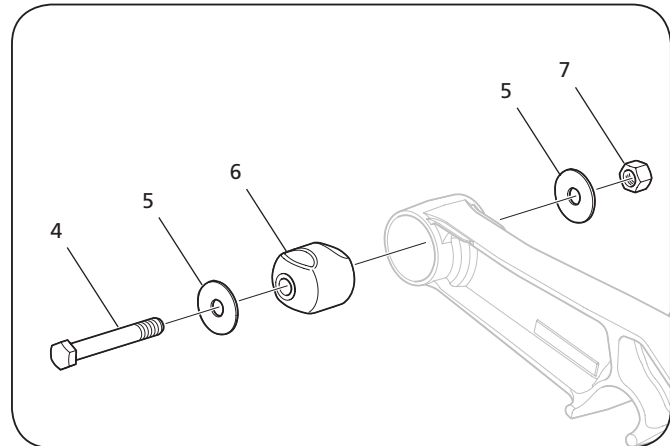
CBX25 Service Repair Kits (SRKs)

Pivot Connection Replacement Kit

Part Number: 48100394

SRK-530

ITEM	PART NUMBER	DESCRIPTION	QTY.	WEIGHT LBS. [KG]
4	93201070	Bolt, Hex, 1.12-7X8.0 Gr 8	2	2.69 [1.22]
5	93600553	Washer	4	0.46 [0.21]
6	9008247	Rubber Bushing	2	3.90 [1.77]
7	93400506	Nut, Hex Lock 1.13" - 7 GR-C	2	0.38 [0.17]

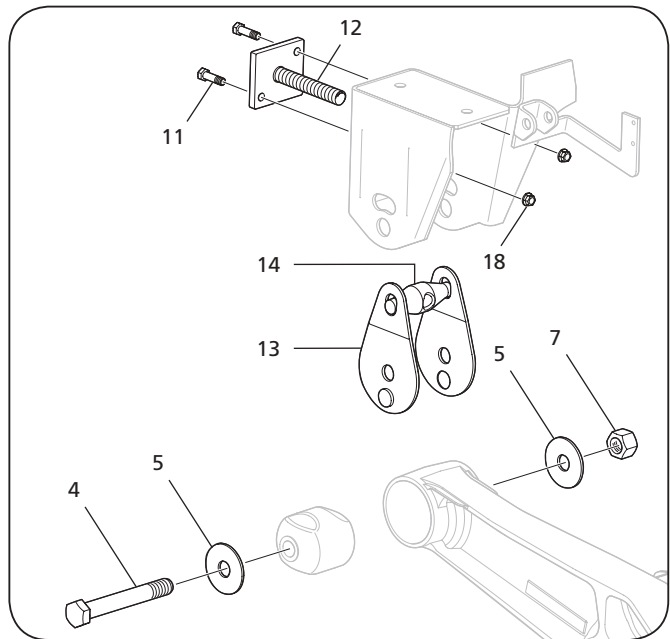


SwingAlign™ Replacement Kit

Part Number: 48100406

SRK-542

ITEM	PART NUMBER	DESCRIPTION	QTY.	WEIGHT LBS. [KG]
4	93201070	Bolt, Hex, 1.12-7X8.0 Gr 8	2	2.69 [1.22]
5	93600553	Washer	4	0.46 [0.21]
7	93400506	Nut, Hex Lock 1.13" - 7 GR-C	2	0.38 [0.17]
11	XB-HHC-001-33	Bolt, Hex.50" - 13 x 1.75"	2	0.11 [0.05]
12	90548007	Threaded Rod Assembly	1	3.52 [1.60]
13	90531339	Alignment Plate	2	2.23 [1.01]
14	90045491	SwingAlign™ Yoke	1	2.54 [1.15]
18	93400136	Nut, Hex.50" - 13	2	0.40 [0.18]

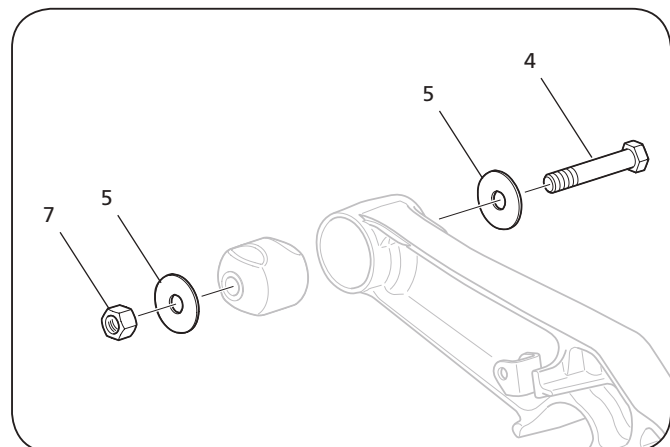


Pivot Connection Service Repair Kit

Part Number: 48100471

SRK-607

ITEM	PART NUMBER	DESCRIPTION	QTY.	WEIGHT LBS. [KG]
4	93201070	Bolt, Hex, 1.12-7X8.0 Gr 8	2	2.69 [1.22]
5	93600553	Washer	4	0.46 [0.21]
7	93400506	Nut, Hex Lock 1.13" - 7 GR-C	2	0.38 [0.17]



Height Control Valve (HCV)

HEIGHT CONTROL VALVE KIT

PART #	DESCRIPTION	PART NUMBER	WEIGHT LBS. [KG]
28	Max-Valve™ HCV - Non Dump	50860013	1.90 [0.86]
	Max-Valve™ HCV - Pressure Dump	50860014	2.10 [0.95]
	Max-Valve™ HCV - Zero Pressure Dump Normal Flow	50860015	2.00 [0.91]
	Max-Valve™ HCV - Zero Pressure Dump Low Flow	50860016	2.00 [0.91]

*All valves are set up for .38" fittings.

NOTE: Do not use the high flow valve when the trailer is equipped with PosiLok™ System.



Adjustable Height Control Linkage Kit

PART NUMBER	DESCRIPTION	WEIGHT LBS. [KG]
50860006	Adjustable Height Control Linkage Kit	2.00 [0.91]



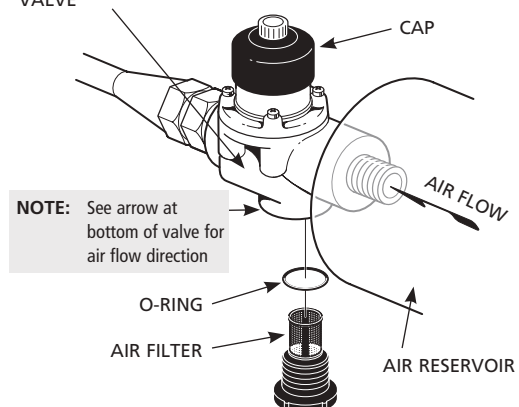
Pressure Protection Valve

DESCRIPTION	PART NUMBER	WEIGHT LBS. [KG]
Pressure Protection Valve	90560150	N/A
Optional Pressure Protection Valve	90554107	0.50 [0.23]



Optional Pressure Protection Valve

OPTIONAL PRESSURE PROTECTION VALVE

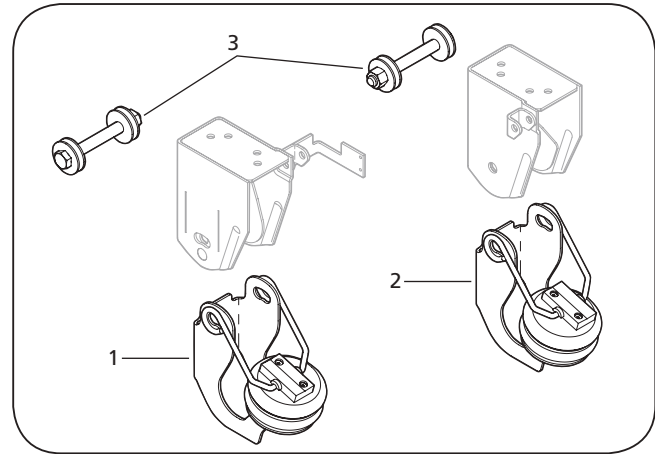


PosiLift™ Air Lift Kit

Part Number: 44100160*

ITEM	DESCRIPTION	PART NUMBER	QTY.	WEIGHT LBS. [KG]
1	Lift Assembly - Roadside Axle	90550292	1	22.00 [9.98]
2	Lift Assembly - Curbside Axle	90550293	1	22.00 [9.98]
3	Fastener Kit	11005156	1	11.80 [5.35]
	Literature Kit - PosiLift™ Air Lift	XM-44000089	1	N/A

NOTE: This is a complete PosiLift™ kit.



THIS PAGE INTENTIONALLY LEFT BLANK

CBX25 W/245 PARTS LIST				
ITEM	DESCRIPTION	PART NUMBER	QTY	WEIGHT LBS. [KG]
1A*†	Frame Bracket (Welded) - with integral brace 14.0" Ride Height	48100465	1	See next page
	Frame Bracket (Welded) - with integral brace 15.0" Ride Height	48100466		See next page
	Frame Bracket (Welded) - with integral brace 16.0 & 17.0" Ride Height	48100467		See next page
1B*†	Frame Bracket (SwingAlign) - with integral brace 14.0" Ride Height	48100462	1	See next page
	Frame Bracket (SwingAlign) - with integral brace 15.0" Ride Height	48100464		See next page
	Frame Bracket (SwingAlign) - with integral brace 16.0 & 17.0" Ride Height	48100463		See next page
2	Equalizing Beam LH (roadside - bushed beam only)	N/A	-	N/A
3	Equalizing Beam RH (curbside - bushed beam only)	N/A	-	N/A
4*	Bolt, Hex, 1.12-7X8.0 Gr 8	93201070	2	2.69 [1.22]
5*	Pivot Connection Washer	93600553	4	0.46 [0.21]
6*	Bushing	90008247	2	3.90 [1.77]
7*	Nut, Hex Lock 1.13" - 7 GR-C	93400506	2	0.38 [0.17]
8	Hex Lock Nut .75"-10	93400492	4	0.13 [0.06]
9	Hex Bolt .75"-10 x 3.50" GR 5	93006035	4	0.56 [0.25]
10†	Shock Absorber 14.0" Ride Height	90044868	2	3.96 [1.80]
	Shock Absorber 15.0" Ride Height	90045381		4.50 [2.04]
	Shock Absorber 16.0" & 17.0" Ride Height	90045298		4.90 [2.22]
11	Hex Bolt .50"-13 x 1.75"	XB-HHC-001-33	2	0.11 [0.05]
12	Threaded Rod Assembly	90548007	1	3.52 [1.60]
13	Alignment Plate	90531339	2	2.23 [1.01]
14	SwingAlign Yoke	90045491	1	2.54 [1.15]
15	Hex Lock Nut .75"-16	93400149	4	0.12 [0.05]
16	Washer .75"	93600077	4	0.04 [0.02]
17	Nut, Flange .50"-13 GR B - Air Spring	93400623	2	0.32 [0.15]
18	Hex Nut -.50" -13	93400136	2	0.40 [0.18]
19	Air Spring 14.0" Ride Height	90557330	2	12.30 [5.58]
	Air Spring 15.0" Ride Height	90557331		14.20 [6.44]
	Air Spring 16.0 & 17.0" Ride Height	90557369		16.70 [7.57]
20	Plate, Mounting, Air Spring	90034247	2	5.50 [2.49]

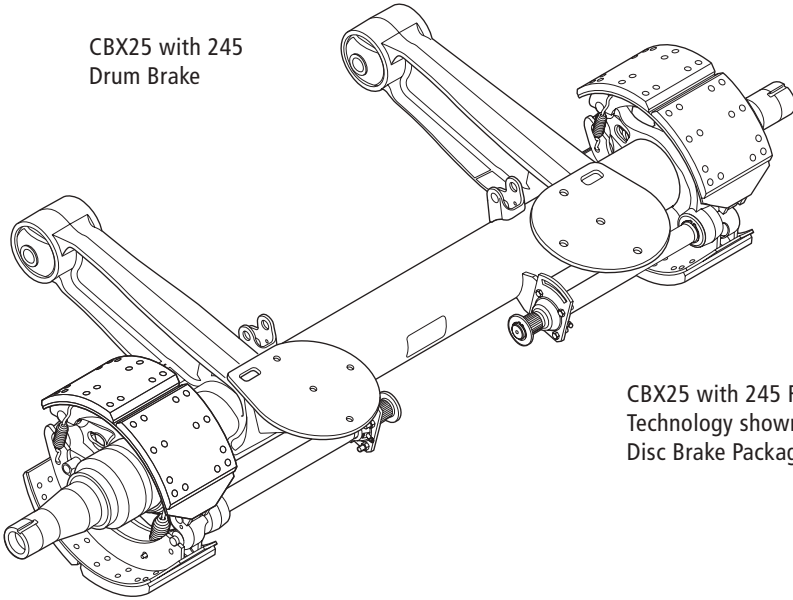
* Replacement components should be purchased in Service Repair Kits listed on previous pages.

† For a non-standard suspension, contact SAF-HOLLAND Customer Service (800.876.3929) for frame brackets and shock absorber part numbers.

NOTE: When ordering Service Repair Kits, all necessary components to complete an axle installation are included.

CBX25 W/245 Fusion Axle and Beam

CBX25 with 245
Drum Brake



CBX25 with 245 Fusion Beam
Technology shown with optional
Disc Brake Package

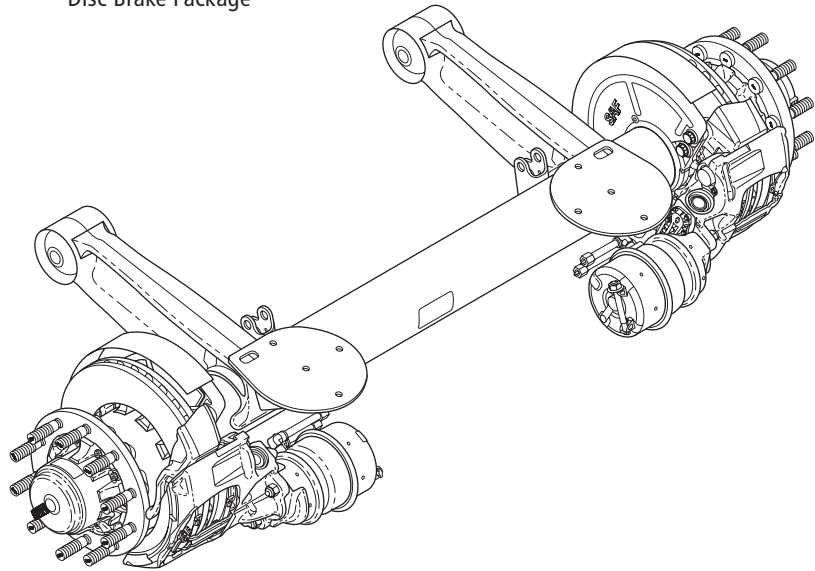
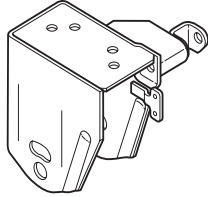
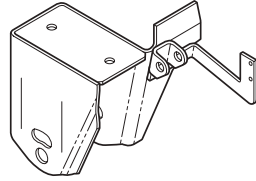
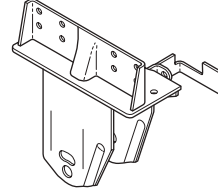
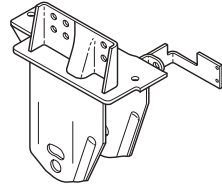
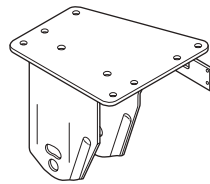
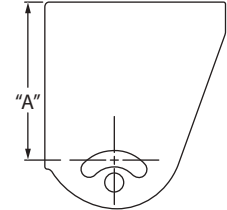
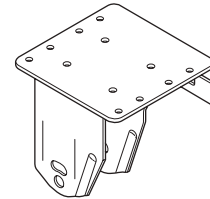


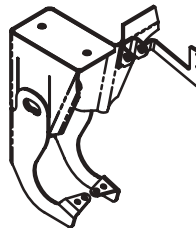
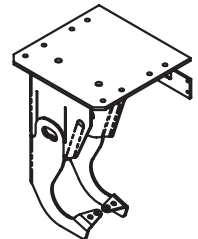
CHART #2 FUSION CBX25 W/245 AXLE AND BEAM

SPINDLE TYPE	DESCRIPTION	CAM BRAKED ONLY, NO PSI PREP, 16X7 BRAKE, NO CAM ENCLOSURES, MID CAMS	WEIGHT LBS. [KG]	DISC BRAKE WITH HUB, LONG STUDS, NO PSI, WITH DUST SHIELD, WITH NUTS	WEIGHT LBS. [KG]
Tapered	Braked Beam and Axle Assy. 71.5" 35" Beam Centers	64710765090	420.00	N/A	N/A
Tapered	Braked Beam and Axle Assy. 71.5" 36" Beam Centers	64710775090	420.00	N/A	N/A
Tapered	Braked Beam and Axle Assy. 77.5" 41" Beam Centers	64710785090	433.00	N/A	N/A
Tapered	Braked Beam and Axle Assy. 77.5" 42" Beam Centers	64710795090	433.00	N/A	N/A
Parallel	Braked Beam and Axle Assy. 77.5" 41" Beam Centers	64710865090	430.00	1005300001410	720.00 [326.59]
Parallel	Braked Beam and Axle Assy. 77.5" 42" Beam Centers	64710875090	430.00	1005300001370	720.00 [326.59]

Weld-on

Weld-on w/ Wing

C-Channel Bolt-on (8 Bolt)

C-Channel Bolt-on (6 Bolt)

I-Beam Bolt-on (8 Holes)

I-Beam Bolt-on (9 Holes)


FRAME BRACKET CHART #2 FOR FUSION CBX25 W/245		RIDE HEIGHT				APPROX. WEIGHT LBS. [KG]
ITEM	DESCRIPTION	14.0" DIM A = 7.25"	15.0" DIM A = 8.25"	16.0" DIM A = 10"	17.0" DIM A = 10"	
2	Weld-on Adjustable With HCV Mount	90521808	90521809	90521810	90521810	23.34 [10.59]
2	Weld-on w/ Wing Adjustable	90521823	90521824	90521825	90521825	25.80 [11.70]
2	C-Channel Bolt-on (8 Bolt), Adjustable, Side Plate	90522519	-	-	-	37.60 [17.06]
2	C-Channel Bolt-on (6 Bolt), Adjustable, Side Plate	-	-	-	90522275	42.90 [19.46]
2	I-Beam Bolt-on (8 Holes) Adjustable, Flat Plate	90522340	90522096	90522096	90522341	45.63 [20.70]
2	I-Beam Bolt-on (9 Holes), Adjustable, Flat Plate	90522170	90522168	90522168	90522053	40.17 [18.22]
3	Weld-on Non Adjustable With HCV Mount	90521811	90521812	90521813	90521813	21.00 [9.53]
3	Weld-on w/ Wing Non Adjustable	90521826	90521827	90521828	90521828	28.40 [12.88]
3	C-Channel Bolt-on (8 Bolt), Non Adjustable, Side Plate	90522520	-	-	-	39.70 [18.01]
3	C-Channel Bolt-on (6 Bolt), Non Adjustable, Side Plate	-	-	-	90522276	39.70 [18.01]
3	I-Beam Bolt-on (8 Holes) Non Adjustable, Flat Plate	90522342	90522097	90522097	90522343	47.63 [21.60]
3	I-Beam Bolt-on (9 Holes), Non Adjustable, Flat Plate	90522171	90522169	90522169	90522056	52.83 [23.96]

Weld-on w/ Posilift

Weld-on w/ Wing w/ Posilift

I-Beam Bolt-on (9 Holes) w/ Posilift


FRAME BRACKET CHART #2 FOR FUSION CBX25 W/245 WITH POSILIFT		RIDE HEIGHT				APPROX. WEIGHT LBS. [KG]
ITEM	DESCRIPTION	14.0" DIM A = 7.25"	15.0" DIM A = 8.25"	16.0" DIM A = 10"	17.0" DIM A = 10"	
2	Weld-on Adjustable With HCV Mount	90522115	90522116	90522117	90522117	34.93 [15.84]
2	Weld-on w/ Wing Adjustable	90522200	90522201	90522417	90522417	37.57 [17.04]
2	I-Beam Bolt-on (9 Holes), Adjustable, Flat Plate	90522180	90522181	90522182	90522182	64.03 [29.04]
3	Weld-on Non Adjustable With HCV Mount	90522118	90522119	90522120	90522120	37.33 [16.93]
3	Weld-on w/ Wing Non Adjustable	90522202	90522203	90522418	90522418	39.83 [18.07]
3	I-Beam Bolt-on (9 Holes), Non Adjustable, Flat Plate	90522183	90522184	90522185	90522185	64.53 [29.27]

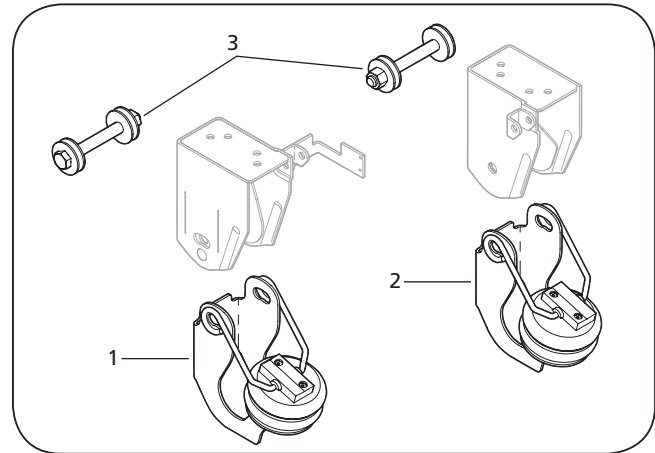
PosiLift™ Air Lift Kit

Part Number: 44100135*

ITEM	DESCRIPTION	PART NUMBER	QTY.	WEIGHT LBS. [KG]
1	Lift Assembly - Roadside Axle	90548535	1	22.00 [9.98]
2	Lift Assembly - Curbside Axle	90548537	1	22.00 [9.98]
3	Fastener Kit	11005156	1	11.80 [5.35]
	Literature Kit - PosiLift™ Air Lift	XM-44000069	1	N/A

* Not available for Disc Brakes on CBX25 338 and CBX 25/30 245 Suspensions.

NOTE: This is a complete PosiLift™ kit.



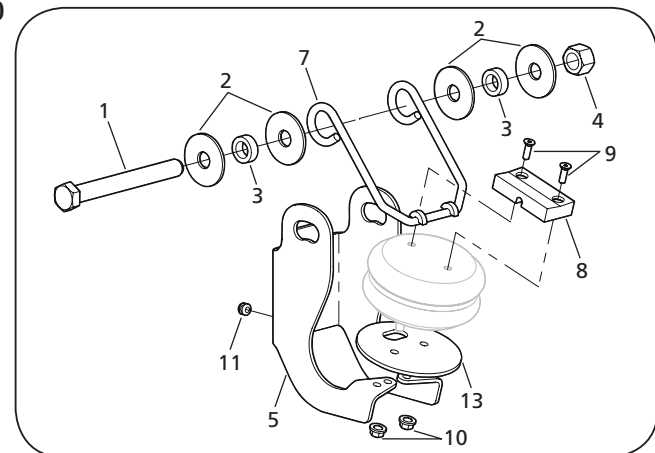
PosiLift™ Bracket Replacement Kit

Part Number: 48100496

SRK-630

ITEM	DESCRIPTION	PART NUMBER	QTY.	WEIGHT LBS. [KG]
1	Pivot Bolt - 1.13"-7 x 10"	93201072	1	3.20 [1.45]
2	Washer	93600553	4	0.46 [0.21]
3	Spacer 1.13" - 7	93900295	2	0.24 [0.11]
4	Nut, Hex, Lock 1.13-7 GR C	93400506	1	0.38 [0.17]
5	Pivot Mount Bracket	90026334	1	11.00 [4.99]
7	Guide Arm	90506037	1	2.00 [0.91]
8	Bearing Block	90045590	1	0.50 [0.23]
9	Flat-Head Cap Screw	93006039	2	0.01 [0.05]
10	Nut, Flange .50"-13 GR B - Swing Align	93400623	2	0.32 [0.15]
11	Grommet	90045591	1	0.01 [0.05]
13	Air Spring Mounting Plate	90034803	1	2.57 [1.17]
	Literature Kit	XM-44000069	1	N/A

NOTE: This kit is for one side of axle only.



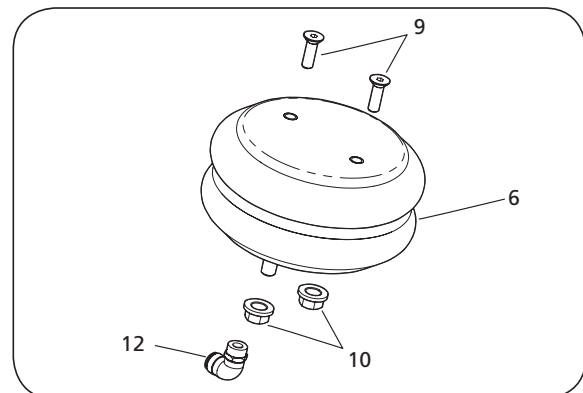
PosiLift™ Airspring Replacement Kit

Part Number: 48100497

SRK-631

ITEM	DESCRIPTION	PART NUMBER	QTY.	WEIGHT LBS. [KG]
6	Air Spring	90557366	1	8.00 [3.63]
9	Flat-Head Cap Screw	93006039	2	N/A
10	Nut, Flange .50"-13 GR B - Air Spring	93400623	2	0.32 [0.15]
12	Elbow Fitting	XB-09226	1	0.02 [0.01]
	Literature Kit	XM-44000069	1	N/A

NOTE: This kit is for one side of axle only.



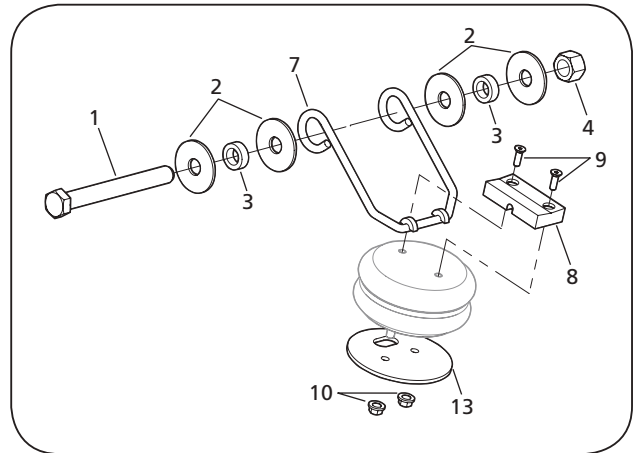
PosiLift™ Guide Arm and Bearing Block Replacement Kit

Part Number: 48100498

SRK-632

ITEM	DESCRIPTION	PART NUMBER	QTY.	WEIGHT LBS. [KG]
1	Pivot Bolt - 1.13" - 7 x 10"	93201072	1	3.20 [1.45]
2	Washer	93600553	4	0.46 [0.21]
3	Spacer	93900295	2	0.24 [0.11]
4	Nut,Hex,Lock 1.13-7 GR C	93400506	1	0.38 [0.17]
7	Guide Arm	90506037	1	2.00 [0.91]
8	Bearing Block	90045590	1	0.50 [0.23]
9	Flat-Head Cap Screw	93006039	2	N/A
10	Nut, Flange .50"-13 GR B - Air Spring	93400623	2	0.32 [0.15]
13	Air Spring Mounting Plate	90034803	1	2.57 [1.17]
	Literature Kit	XM-44000069	1	N/A

NOTE: This kit is for one side of axle only.

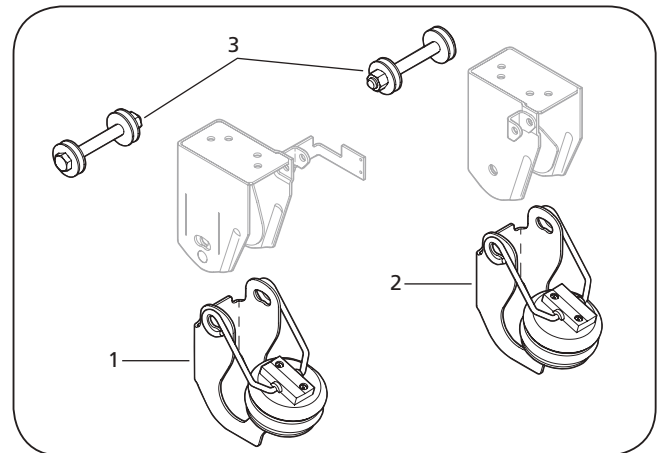


PosiLift™ Air Lift Kit

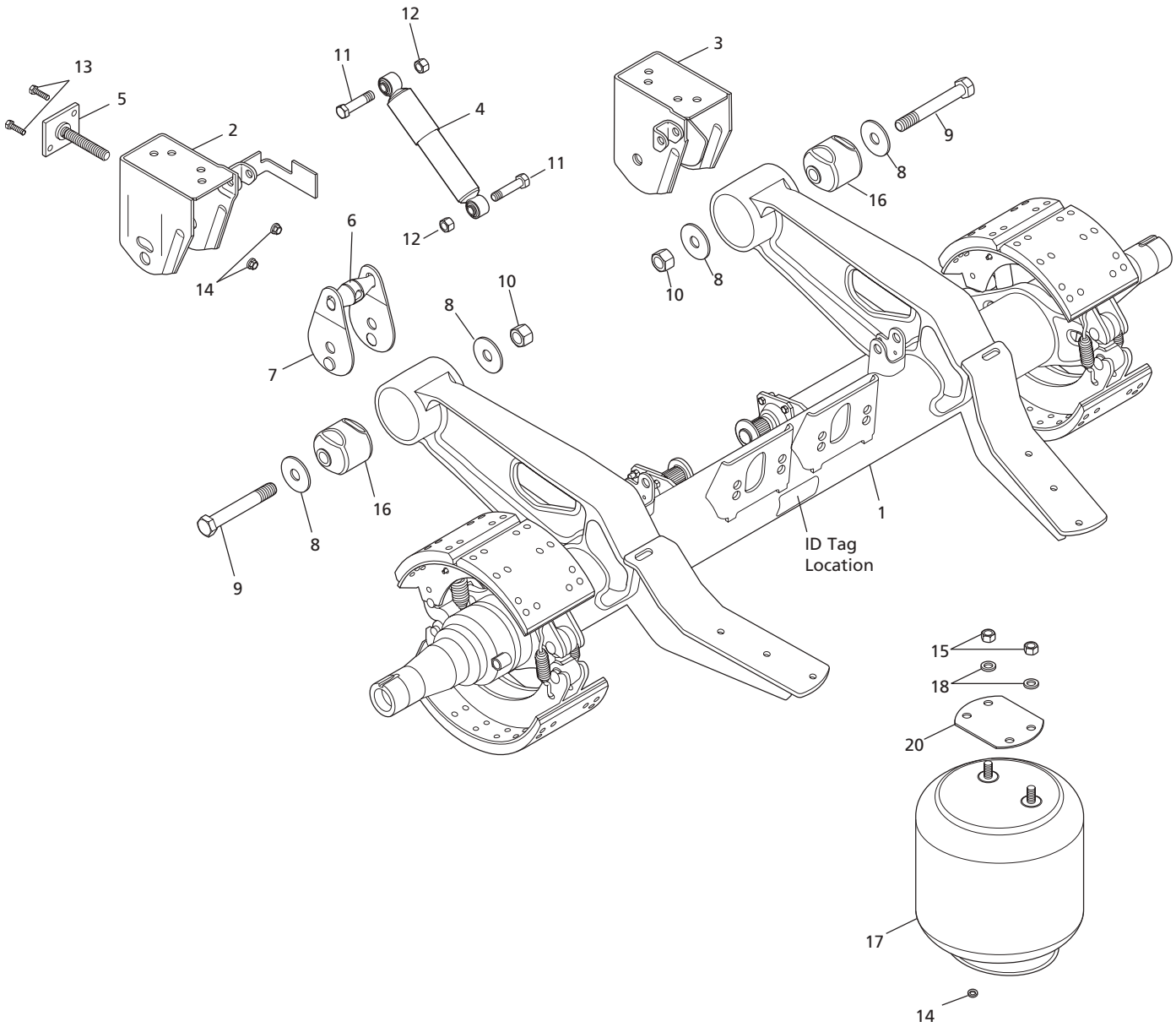
Part Number: 44100160*

ITEM	DESCRIPTION	PART NUMBER	QTY.	WEIGHT LBS. [KG]
1	Lift Assembly - Roadside Axle	90550292	1	22.00 [9.98]
2	Lift Assembly - Curbside Axle	90550293	1	22.00 [9.98]
3	Fastener Kit	11005156	1	11.80 [5.35]
	Literature Kit - PosiLift™ Air Lift	XM-44000089	1	N/A

NOTE: This is a complete PosiLift™ kit.



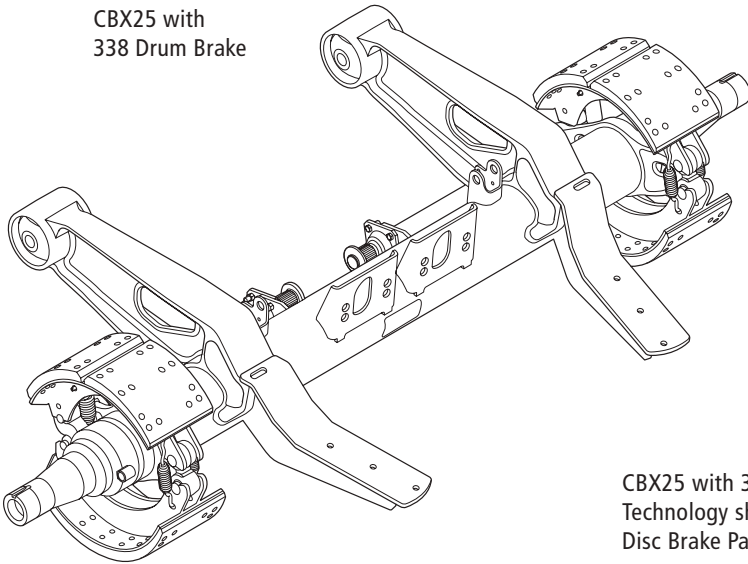
CBX25 W/338 Fusion Beam Exploded View



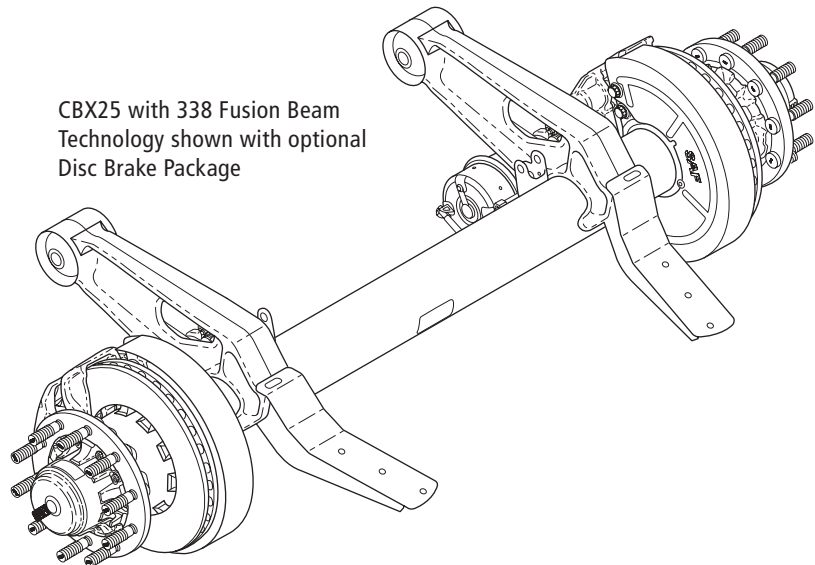
CBX25 W/338 FUSION BEAM PARTS LIST				
ITEM	DESCRIPTION	PART NUMBER	QTY PER AXLE	WEIGHT LBS. [KG]
1	CBX25 W/338 Fusion Axle and Beam Assembly	See Chart #1	1	See Chart #1
2	Frame Bracket	See Chart #2	1	See Chart #2
3	Frame Bracket	See Chart #2	1	See Chart #2
4	Shock Absorber 14.0" Ride Height	90045607	2	4.90 [2.22]
	Shock Absorber 15.0" Ride Height	90045608		4.90 [2.22]
	Shock Absorber 16.0" & 17.0" Ride Height	90045040		5.19 [2.35]
5	Threaded Rod Assy	90548007	1	3.52 [1.60]
6	Swing Align Yoke	90045491	1	2.54 [1.15]
7	Plate Weldment	90531339	2	2.23 [1.01]
8	Washer 1.14" I.D. x 3.50" O.D. GR8	93600553	4	0.46 [0.21]
9	Bolt, Hex, 1.12-7X8.0 Gr 8	93201070	2	2.69 [1.22]
10	Nut, Hex Lock 1.13" - 7 GR-C	93400506	2	0.38 [0.17]
11	Bolt, Hex.75"-10 X 3.50" Long GR 5	93006035	4	0.56 [0.25]
12	Nut Hex.75"-10 GR B	93400492	4	0.13 [0.06]
13	Screw Hex Cap .50"-13 x 1.75" GR-5 ZC	XB-HHC-001-33	2	0.11 [0.05]
14	Nut, Flange .50"-13 GR B - Swing Align	93400623	2	0.32 [0.15]
	Nut, Flange .50"-13 GR B - Air Spring		2	
15	Air Spring Top Mounting Nut .75"-16 GR B	93400149	4	0.12 [0.05]
16	Bushing, Cast Beam See 48100394	90008247	2	3.90 [1.77]
17	Air Spring Assy- 14.0" & 15.0" Ride Height	90557376	2	14.30 [6.49]
	Air Spring Assy- 16.0" & 17.0" Ride Height	90557377		16.10 [7.30]
18	Air Spring Mounting Washer .76" I.D. x 1.27" O.D.	93600077	4	0.04 [0.02]
20	Air Spring Mount Plate	90034247	2	5.50 [2.49]

CBX25 W/338 Fusion Axle and Beam

CBX25 with
338 Drum Brake

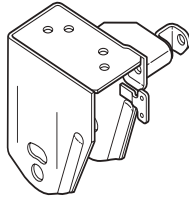
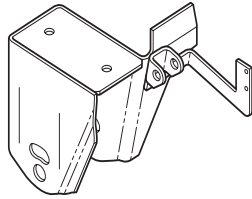
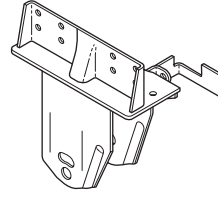
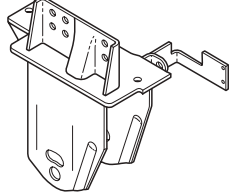
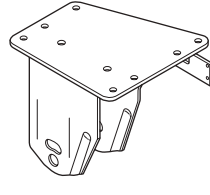
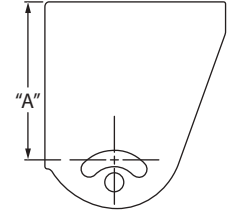
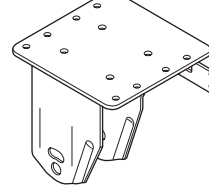


CBX25 with 338 Fusion Beam
Technology shown with optional
Disc Brake Package



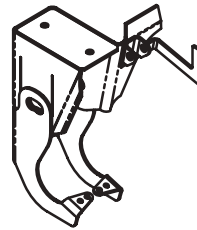
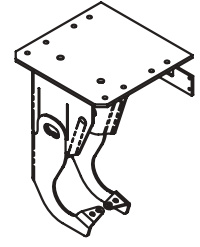
AXLE AND BEAM CHART #1 FOR FUSION CBX25 W/338

SPINDLE TYPE	DESCRIPTION	CAM BRAKED ONLY, NO PSI PREP, 16X7 BRAKE, NO CAM ENCLOSURES, LONG CAMS	WEIGHT LBS. [KG]	DISC BRAKE WITH HUB, LONG STUDS, WITH PSI, WITH DUST SHIELD, WITHOUT NUTS	WEIGHT LBS. [KG]
Tapered	Braked Beam and Axle Assy. 71.5" 35" Beam Centers	64710955090	438.00 [198.67]	–	N/A
Tapered	Braked Beam and Axle Assy. 71.5" 36" Beam Centers	64710965090	438.00 [198.67]	–	N/A
Tapered	Braked Beam and Axle Assy. 77.5" 41" Beam Centers	64710975090	450.00 [204.12]	–	N/A
Tapered	Braked Beam and Axle Assy. 77.5" 42" Beam Centers	64710985090	450.00 [204.12]	–	N/A
Parallel	Braked Beam and Axle Assy. 71.5" 35" Beam Centers	74710045090	491.00 [222.71]	–	N/A
Parallel	Braked Beam and Axle Assy. 71.5" 36" Beam Centers	74710055090	495.00 [224.53]	–	N/A
Parallel	Braked Beam and Axle Assy. 77.5" 41" Beam Centers	74710065090	495.00 [224.53]	1005300001210	784.00 [355.62]
Parallel	Braked Beam and Axle Assy. 77.5" 42" Beam Centers	74710075090	503.00 [228.16]	–	N/A
Tapered	Braked Beam and Axle Assy. 71.5" 36" Beam Centers Cambered	1004300004300	438.00 [198.67]	–	N/A
Tapered	Braked Beam and Axle Assy. 77.5" 42" Beam Centers Cambered	1004300003810	450.00 [204.12]	–	N/A

Weld-on

Weld-on w/ Wing

C-Channel Bolt-on (8 Bolt)

C-Channel Bolt-on (6 Bolt)

I-Beam Bolt-on (8 Holes)

I-Beam Bolt-on (9 Holes)


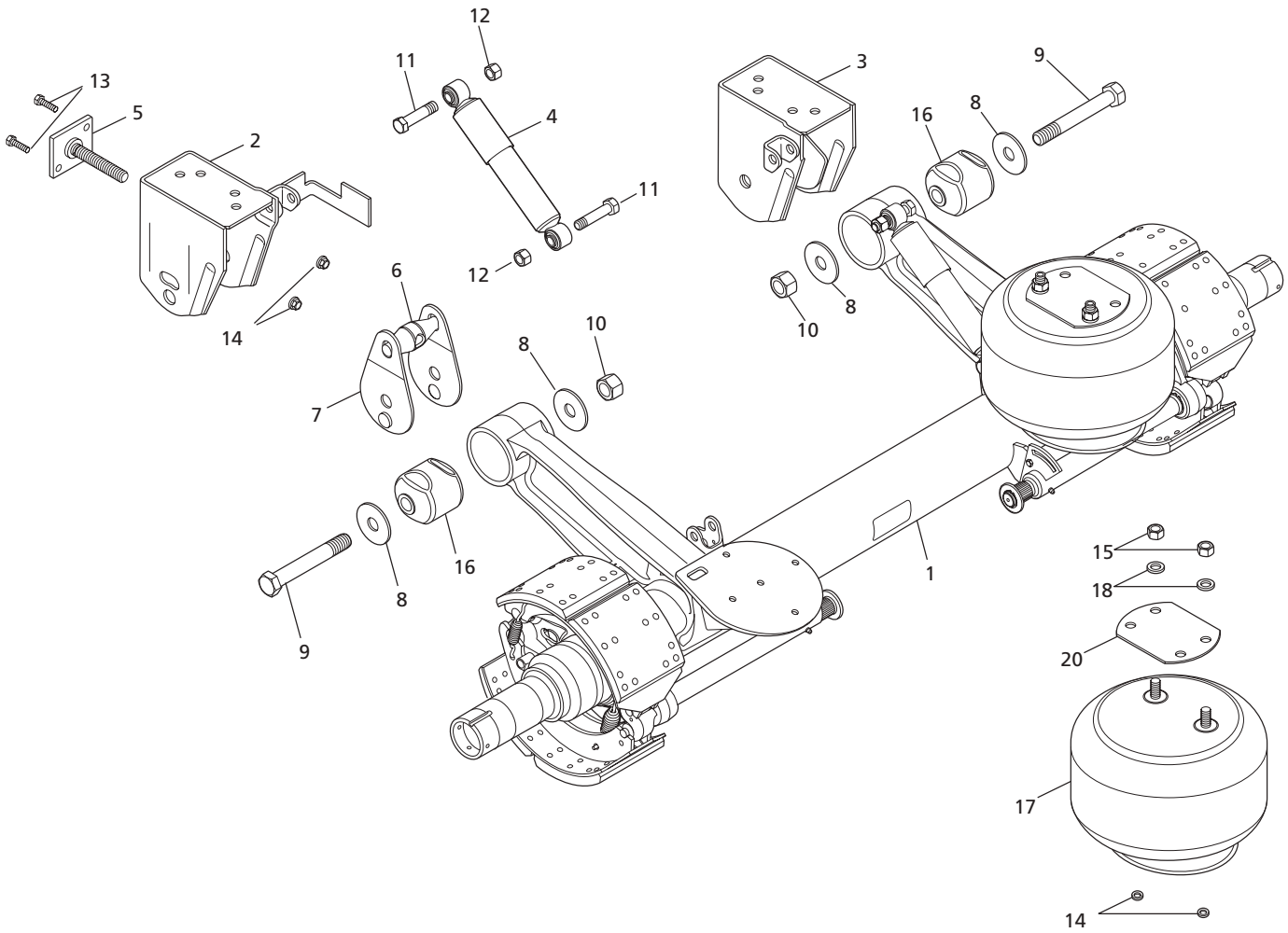
FRAME BRACKET CHART #2 FOR FUSION CBX25 W/338		RIDE HEIGHT				
ITEM	DESCRIPTION	14.0" DIM A = 7.25"	15.0" DIM A = 8.25"	16.0" DIM A = 10.0"	17.0" DIM A = 10.0"	APPROX. WEIGHT LBS. [KG]
2	Weld-on Adjustable With HCV Mount	90521808	90521809	90521810	90521810	23.34 [10.59]
2	Weld-on w/ Wing Adjustable	90521823	90521824	90521825	90521825	25.80 [11.70]
2	C-Channel Bolt-on (8 Bolt), Adjustable	90522519	–	–	–	37.60 [17.06]
2	C-Channel Bolt-on (6 Bolt) Adjustable	90522471	90522472	–	90522473	46.13 [20.92]
2	I-Beam Bolt-on (8 Holes), Adjustable	90522340	–	90522096	90522341	45.63 [20.70]
2	I-Beam Bolt-on (9 Holes), Adjustable	90522170	–	90522168	90522055	50.33 [22.83]
3	Weld-on Non Adjustable With HCV Mount	90521811	90521812	90521813	90521813	21.00 [9.53]
3	Weld-on w/ Wing Non Adjustable	90521826	90521827	90521828	90521828	28.40 [12.88]
3	C-Channel Bolt-on (8 Bolt) Non Adjustable	90522520	–	–	–	39.70 [18.01]
3	C-Channel Bolt-on (6 Bolt) Non Adjustable	90522474	90522475	–	90522476	43.80 [19.87]
3	I-Beam Bolt-on (8 Holes), Non Adjustable	90522342	–	90522097	90522343	47.63 [21.60]
3	I-Beam Bolt-on (9 Holes), Non Adjustable	90035171	–	90522169	90522056	52.83 [23.96]

Weld-on w/ Posilift

Weld-on w/ Wing w/ Posilift

I-Beam Bolt-on (9 Holes) w/ Posilift


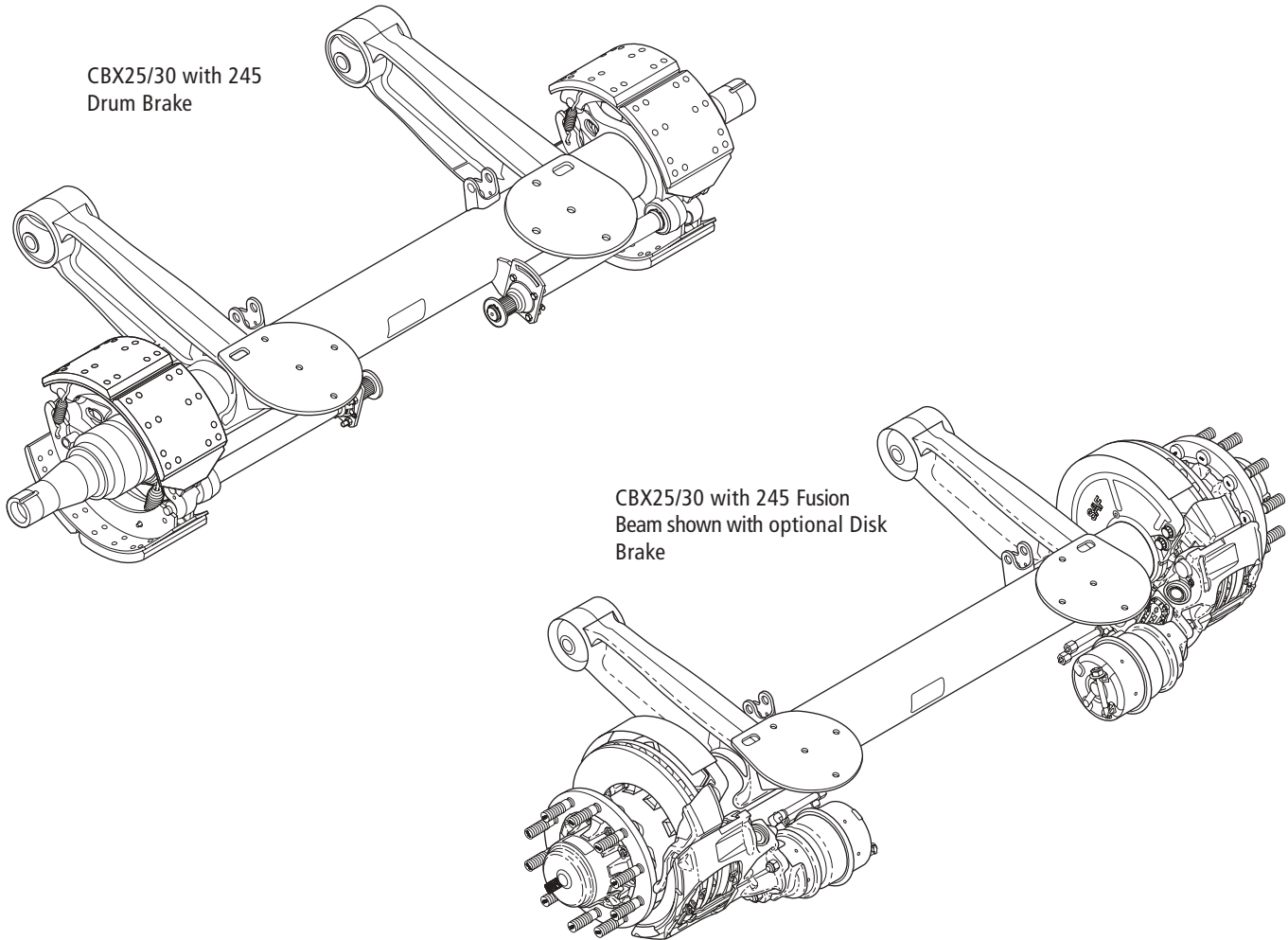
FRAME BRACKET CHART #2 FOR FUSION CBX25 W/ 338 WITH POSILIFT		RIDE HEIGHT				
ITEM	DESCRIPTION	14.0" DIM A = 8.25"	15.0" DIM A = 8.25"	16.0" DIM A = 10.0"	17.0" DIM A = 10.0"	APPROX. WEIGHT LBS. [KG]
2	Weld-on Adjustable With HCV Mount	90522117	90522116	90522117	90522117	34.93 [15.84]
2	Weld-on w/ Wing Adjustable Winged	90522200	90522201	90522417	90522417	37.57 [17.04]
2	I-Beam Bolt-on (9 Holes), Adjustable	90522180	90522181	90522182	90522182	64.03 [29.04]
3	Weld-on Non Adjustable With HCV Mount, Fixed	90522118	90522119	90522120	90522120	37.33 [16.93]
3	Weld-on w/ Wing Non Adjustable Winged, Fixed	90522202	90522203	90522418	90522418	39.83 [18.07]
3	I-Beam Bolt-on (9 Holes), Non Adjustable	90522183	90522184	90522185	90522185	64.52 [29.27]

CBX25/30 W/245 Fusion Beam Exploded View



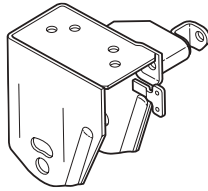
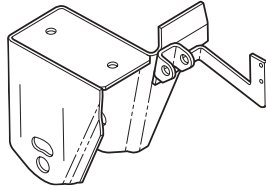
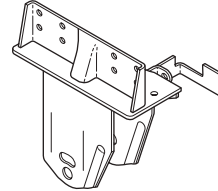
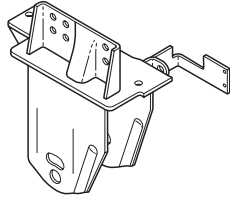
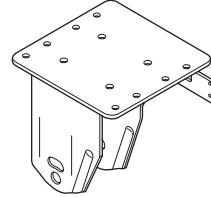
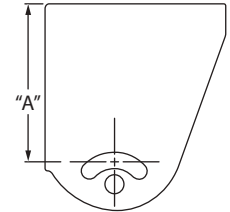
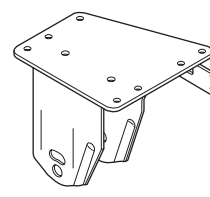
CBX25/30 W/245 FUSION BEAM PARTS LIST				
ITEM	DESCRIPTION	PART NUMBER	QTY PER AXLE	WEIGHT LBS. [KG]
1	CBX25/30 W/245 Fusion Axle and Beam Assembly	See Chart #1	1	See Chart #1
2	Frame Bracket	See Chart #2	1	See Chart #2
3	Frame Bracket	See Chart #2	1	See Chart #2
4	Shock Absorber 71.5" and 77.5" Axle Track 14.0" Ride Height	90045607	2	4.90 [2.22]
	Shock Absorber 71.5" and 77.5" Axle Track 15.0" Ride Height	90045608		4.90 [2.22]
	Shock Absorber 71.5" and 77.5" Axle Track 16.0" & 17.0" Ride Height	90045299		4.33 [1.96]
	Shock Absorber 71.5" and 77.5" Axle Track 18.0" Ride Height	90045054		4.49 [2.04]
	Shock Absorber 71.5" and 77.5" Axle Track 19.0" Ride Height	90044642		4.67 [2.12]
5	Threaded Rod Assy	90548007	1	3.52 [1.60]
6	Swing Align Yoke	90045491	1	2.54 [1.15]
7	Plate Weldment	90531339	2	2.23 [1.01]
8	Washer 1.14" I.D. x 3.50" O.D. GR8	93600553	4	0.46 [0.21]
9	Bolt,Hex,1.12-7X8.0 Gr 8	93201070	2	2.69 [1.22]
10	Nut, Hex Lock 1.13" - 7 GR-C	93400506	2	0.38 [0.17]
11	Bolt, Hex.75" - 10 X 3.50" Long GR 5	93006035	2	0.56 [0.25]
12	Nut Hex.75" -10 GR B	93400492	4	0.13 [0.06]
13	Screw Hex Cap .50" -13 x 1.75" GR-5 ZC	XB-HHC-001-33	2	0.11 [0.05]
14	Nut, Flange .50"-13 GR B - Swing Align	93400623	2	0.32 [0.15]
	Nut, Flange .50"-13 GR B - Air Spring		2	
15	Air Spring Top Mounting Nut .75" -16 GR B	93400149	4	0.12 [0.05]
16	Bushing, Cast Beam See 48100394	90008247	2	3.90 [1.77]
17	Air Spring Assy- 14.0" & 15.0" Ride Height	90557410	2	21.10 [9.57]
	Air Spring Assy- 16.0" - 19.0" Ride Height	90557409		21.30 [9.66]
18	Air Spring Mounting Washer .76" I.D. x 1.27" O.D.	93600077	2	0.04 [0.02]
20	Air Spring Mount Plate	90034247	2	5.50 [2.49]

CBX25/30 W/245 Fusion Axle and Beam



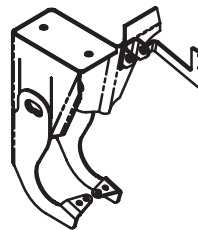
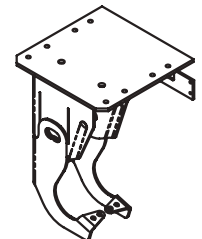
AXLE AND BEAM CHART #1 FOR FUSION CBX25/30 W/245

SPINDLE TYPE	DESCRIPTION	CAM BRAKED ONLY, NO PSI PREP, 16X7 BRAKE, NO CAM ENCLOSURES, LONG CAMS	WEIGHT LBS. [KG]	DISC BRAKE WITH HUB, LONG STUDS, NO PSI, WITH DUST SHIELD, WITH NUTS	WEIGHT LBS. [KG]
Tapered	Braked Beam and Axle Assy. 77.5" 41" Beam Centers	1004300003370	440.00 [199.58]	–	N/A
Parallel	Braked Beam and Axle Assy. 77.5" 41" Beam Centers	1004300003360	438.00 [198.67]	1005300001740	720.00 [326.59]
Parallel	Braked Beam and Axle Assy. 77.5" 42" Beam Centers	1004300005800	438.00 [198.67]	1005300001780	721.00 [327.04]
Parallel	Braked Beam and Axle Assy. 81.5" Track 47" Beam Centers	–	N/A	1005300001730	738.00 [334.75]
Parallel	Braked Beam and Axle Assy. 83.5" Track 47" Beam Centers	–	N/A	1005300001760	731.00 [331.58]

Weld-on

Weld-on w/ Wing

C-Channel Bolt-on (8 Bolt)

C-Channel Bolt-on (6 Bolt)

I-Beam Bolt-on (8 Holes)

I-Beam Bolt-on (9 Holes)


FRAME BRACKET CHART #2 FOR FUSION CBX25/30 W/245		RIDE HEIGHT						APPROX. WEIGHT LBS. [KG]
		14.0" DIM A = 7.25	15.0" DIM A = 8.25	16.0" DIM A = 10.0	17.0" DIM A = 10.0	18.0" DIM A = 11.5	19.0" DIM A = 12.5	
ITEM	DESCRIPTION							
2	Weld-on Adjustable Without HCV Mount	90521980	90521981	–	90521982	–	–	21.57 [9.78]
2	Weld-on w/ Wing Adjustable With HCV Mount	90521808	90521809	90521810	90521810	90522375	90522298	24.65 [11.18]
2	C-Channel Bolt-on (8 Bolt), Adjustable Winged	–	90521824	–	90521825	–	–	27.15 [12.32]
2	C-Channel Bolt-on (6 Bolt) Adjustable, Long Bracket	–	90522472	–	–	–	–	45.60 [20.68]
2	I-Beam Bolt-on (8 Holes), Adjustable	–	90522285	–	90522236	90522422	90522347	48.93 [22.19]
2	I-Beam Bolt-on (9 Holes), Adjustable	–	–	–	–	–	90522363	65.20 [29.57]
3	Weld-on Non Adjustable Without HCV Mount, Fixed	90521811	90521812	–	90521813	–	–	21.00 [9.53]
3	Weld-on w/ Wing Non Adjustable With HCV Mount, Fixed	90521811	90521812	90521813	90521813	90522374	90522296	24.22 [10.99]
3	C-Channel Bolt-on (8 Bolt) Non Adjustable, Winged	–	90521827	–	90521828	–	–	29.75 [13.49]
3	C-Channel Bolt-on (6 Bolt) Non Adjustable, Long Bracket	–	90522475	–	–	–	–	43.40 [19.69]
3	I-Beam Bolt-on (8 Holes), Non Adjustable	–	90522286	–	90522238	90522423	90522348	58.50 [26.54]
3	I-Beam Bolt-on (9 Holes), Non Adjustable	–	–	–	–	–	90522364	67.00 [30.39]

Weld-on w/ Posilift

Weld-on w/ Wing w/ Posilift

I-Beam Bolt-on (9 Holes) w/ Posilift


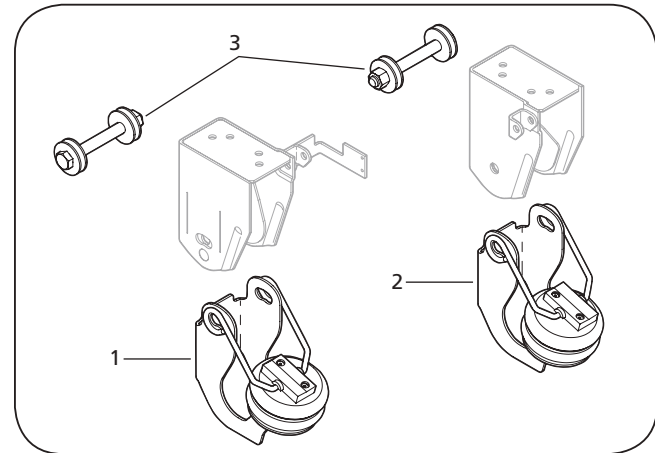
FRAME BRACKET CHART #2 FOR FUSION CBX25/30 W/245 WITH POSILIFT		RIDE HEIGHT				APPROX. WEIGHT LBS. [KG]
		14" DIM A = 7.25"	15" DIM A = 8.25"	16" DIM A = 10.0"	17" DIM A = 10.0"	
ITEM	DESCRIPTION					
2	Weld-on Adjustable	90522117	90522116	90522117	90522117	34.93 [15.84]
2	Weld-on w/ Wing Adjustable With HCV Mount	90522200	90522201	90522417	90522417	37.57 [17.04]
2	I-Beam Bolt-on (8 Holes), Adjustable	90522180	90522181	90522182	90522182	64.03 [29.04]
3	Weld-on Non Adjustable, Fixed	90522118	90522119	90522120	90522120	37.33 [16.93]
3	Weld-on w/ Wing Non Adjustable With HCV Mount	90522202	90522203	90522418	90522418	39.83 [18.07]
3	I-Beam Bolt-on (8 Holes), Non Adjustable	90522183	90522184	90522185	90522185	64.52 [29.27]

PosiLift™ Air Lift Kit

Part Number: 44100160*

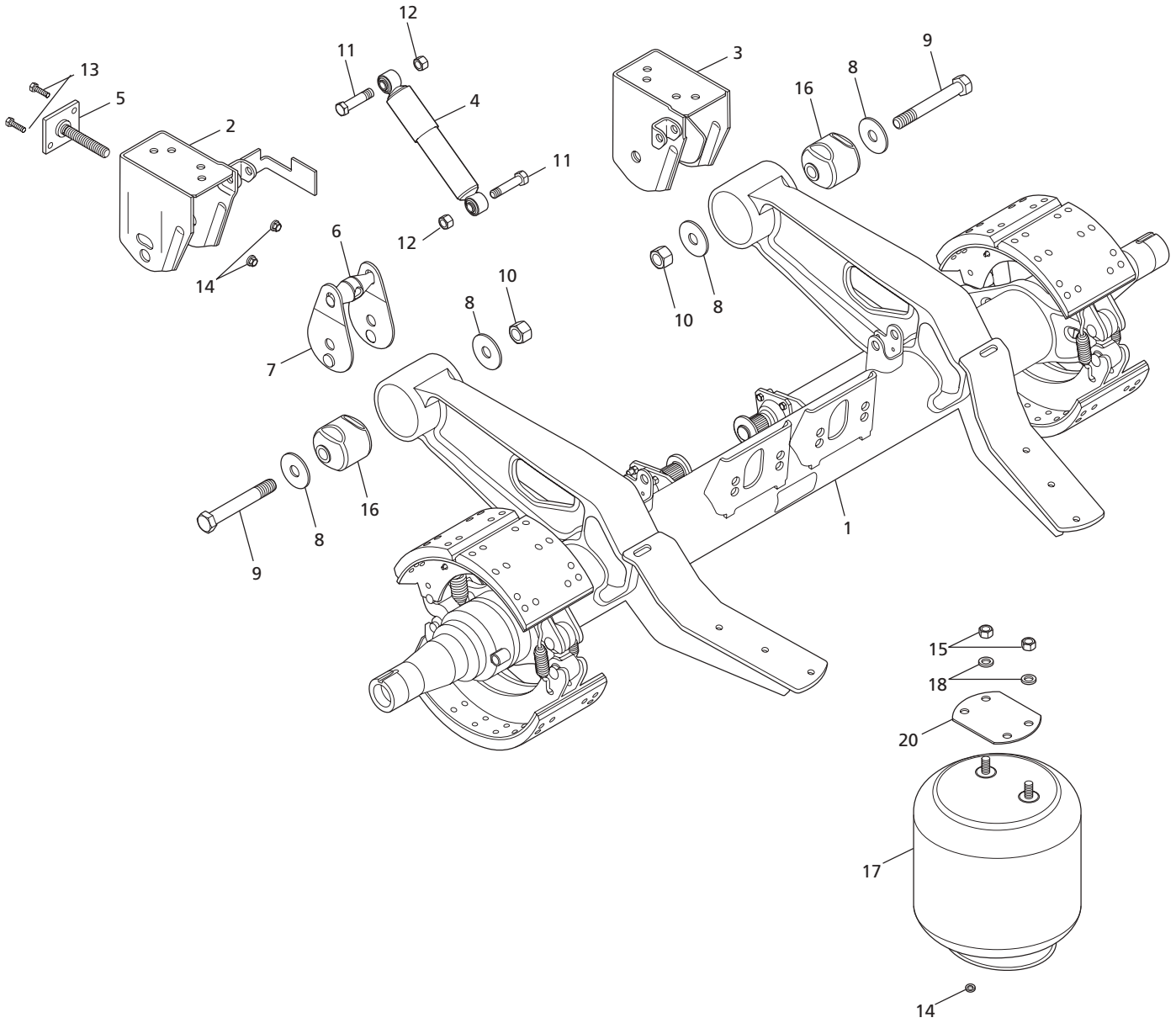
ITEM	DESCRIPTION	PART NUMBER	QTY.	WEIGHT LBS. [KG]
1	Lift Assembly - Roadside Axle	90550292	1	22.00 [9.98]
2	Lift Assembly - Curbside Axle	90550293	1	22.00 [9.98]
3	Fastener Kit	11005156	1	11.80 [5.35]
	Literature Kit - PosiLift™ Air Lift	XM-44000089	1	N/A

NOTE: This is a complete PosiLift™ kit.



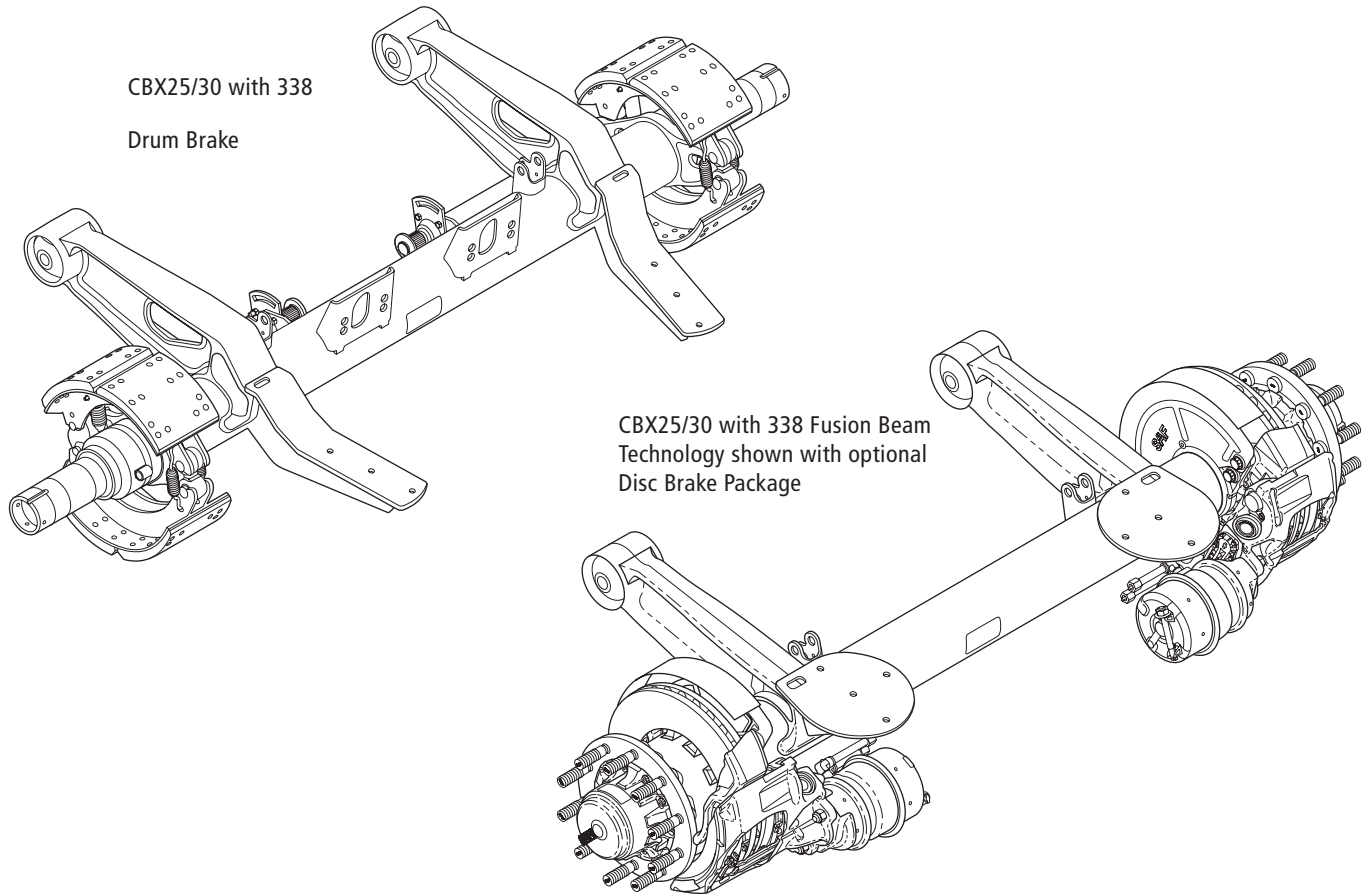
THIS PAGE INTENTIONALLY LEFT BLANK

CBX25/30 W/338 Fusion Beam Exploded View

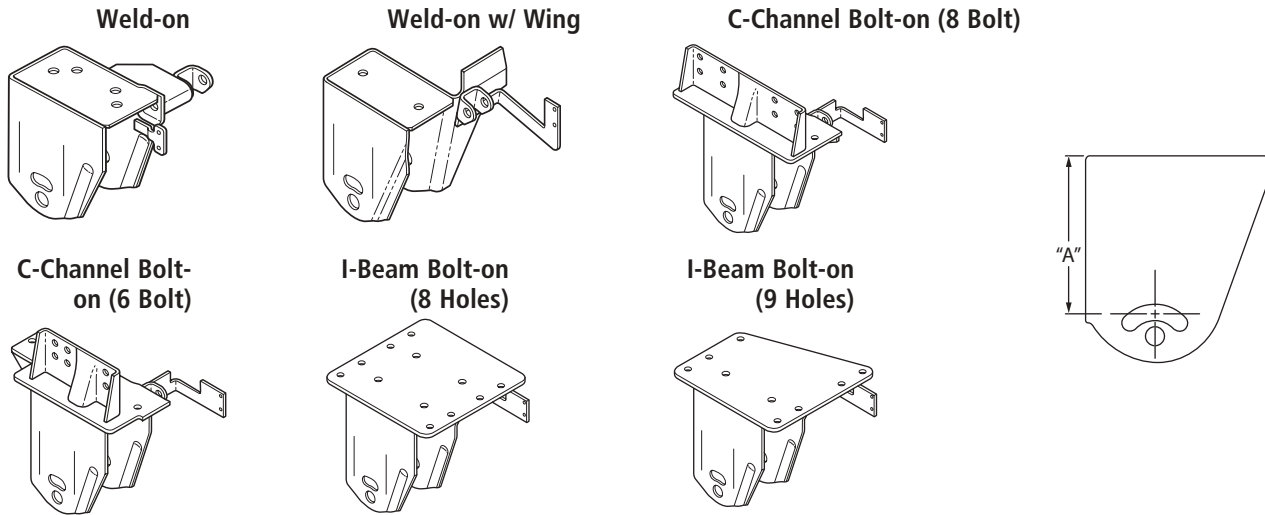


CBX25/30 W/338 FUSION BEAM PARTS LIST				
ITEM	DESCRIPTION	PART NUMBER	QTY PER AXLE	WEIGHT LBS. [KG]
1	CBX25/30 W/338 Fusion Axle and Beam Assembly	See Chart #1	1	See Chart #1
2	Frame Bracket	See Chart #2	1	See Chart #2
3	Frame Bracket	See Chart #2	1	See Chart #2
4	Shock Absorber 71.5" and 77.5" Axle Track 14.0" Ride Height	90045607	2	4.90 [2.22]
	Shock Absorber 71.5" and 77.5" Axle Track 15.0" Ride Height	90045608		4.90 [2.22]
	Shock Absorber 71.5" and 77.5" Axle Track 16.0" & 17.0" Ride Height	90045040		5.19 [2.35]
	Shock Absorber 71.5" and 77.5" Axle Track 18.0" Ride Height	90045054		4.49 [2.04]
5	Threaded Rod Assy	90548007	1	3.52 [1.60]
6	Swing Align Yoke	90045491	1	2.54 [1.15]
7	Plate Weldment	90531339	2	2.23 [1.01]
8	Washer 1.14" I.D. x 3.50" O.D. GR8	93600553	4	0.46 [0.21]
9	Bolt,Hex,1.12-7X8.0 Gr 8	93201070	2	2.69 [1.22]
10	Nut, Hex Lock 1.13" - 7 GR-C	93400506	2	0.38 [0.17]
11	Bolt, Hex.75"- 10 X 3.50" Long GR 5	93006035	2	0.56 [0.25]
12	Nut Hex.75" -10 GR B	93400492	4	0.13 [0.06]
13	Screw Hex Cap .50" -13 x 1.75" GR-5 ZC	XB-HHC-001-33	2	0.11 [0.05]
14	Nut, Flange .50"-13 GR B - Swing Align	93400623	2	0.32 [0.15]
	Nut, Flange .50"-13 GR B - Air Spring		4	
15	Air Spring Top Mounting Nut .75" -16 GR B	93400149	4	0.12 [0.05]
16	Bushing, Cast Beam See 48100394	90008247	2	3.90 [1.77]
17	Air Spring Assy- 14.0" & 15.0" Ride Height	90557376	2	14.30 [6.49]
	Air Spring Assy- 16.0" - 19.0" Ride Height	90557377		16.10 [7.30]
18	Air Spring Mounting Washer .76" I.D. x 1.27" O.D.	93600077	2	0.04 [0.02]
20	Air Spring Mount Plate	90034247	2	5.50 [2.49]

CBX25/30 W/338 Fusion Axle and Beam



AXLE AND BEAM CHART #1 FOR FUSION CBX25/30 W/338					
SPINDLE TYPE	DESCRIPTION	CAM BRAKED ONLY, NO PSI PREP, 16X7 BRAKE, NO CAM ENCLOSURES, LONG CAMS	WEIGHT LBS. [KG]	DISC BRAKE WITH HUB, LONG STUDS, NO PSI, WITH DUST SHIELD, WITH NUTS	WEIGHT LBS. [KG]
Tapered	Braked Beam and Axle Assy. 71.5" 35" Beam Centers	-	-	-	-
Tapered	Braked Beam and Axle Assy. 71.5" 36" Beam Centers	-	-	-	-
Tapered	Braked Beam and Axle Assy. 77.5" 41" Beam Centers	-	-	-	-
Tapered	Braked Beam and Axle Assy. 77.5" 43" Beam Centers	-	-	-	-
Parallel	Braked Beam and Axle Assy. 71.5" 35" Beam Centers	-	-	-	-
Parallel	Braked Beam and Axle Assy. 71.5" 36" Beam Centers	-	-	-	-
Parallel	Braked Beam and Axle Assy. 77.5" 41" Beam Centers	-	-	-	-
Parallel	Braked Beam and Axle Assy. 77.5" 42" Beam Centers	-	-	-	-
Tapered	Braked Beam and Axle Assy. 71.5" 35" Beam Centers Cambered	-	-	-	-
Tapered	Braked Beam and Axle Assy. 71.5" 36" Beam Centers Cambered	1004300004300	438.00 [198.67]	-	N/A
Tapered	Braked Beam and Axle Assy. 77.5" 41" Beam Centers Cambered	-	-	-	-
Tapered	Braked Beam and Axle Assy. 77.5" 42" Beam Centers Cambered	1004300003810	450.00 [204.12]	-	N/A
Parallel	Braked Beam and Axle Assy. 71.5" 35" Beam Centers Cambered	-	-	-	-
Parallel	Braked Beam and Axle Assy. 71.5" 36" Beam Centers Cambered	-	-	-	-
Parallel	Braked Beam and Axle Assy. 77.5" 41" Beam Centers Cambered	-	-	-	-
Parallel	Braked Beam and Axle Assy. 77.5" 42" Beam Centers Cambered	-	-	-	-



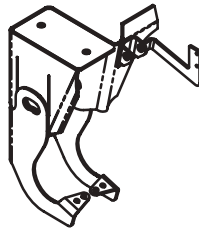
CBX25/30 W/338

FRAME BRACKET CHART #2 FOR FUSION CBX25/30 W/338		RIDE HEIGHT				
ITEM	DESCRIPTION	14.0" DIM A = 7.25"	15.0" DIM A = 8.25"	16.0" DIM A = 10"	17.0" DIM A = 10"	APPROX. WEIGHT LBS. [KG]
2	Weld-on Adjustable Without HCV Mount	90521808	90521809	90521810	90521810	23.33 [10.58]
2	Weld-on w/ Wing Adjustable With HCV Mount	90521823	90521824	90521825	90521825	25.80 [11.70]
2	C-Channel Bolt-on (8 Bolt), Adjustable Winged	90522519	–	–	–	37.60 [17.06]
2	C-Channel Bolt-on (6 Bolt) Adjustable, Long Bracket	–	–	–	–	N/A
2	I-Beam Bolt-on (9 Holes), Adjustable	–	90522096	90522096	–	45.10 [20.46]
2	I-Beam Bolt-on (8 Holes), Adjustable	–	90522168	90522168	–	49.90 [22.63]
3	Weld-on Non Adjustable Without HCV Mount, Fixed	90521811	90521812	90521813	90521813	21.00 [9.53]
3	Weld-on w/ Wing Non Adjustable With HCV Mount, Fixed	90521826	90521827	90521828	90521828	28.40 [12.88]
3	C-Channel Bolt-on (8 Bolt) Non Adjustable, Winged	90522520	–	–	–	39.70 [18.01]
3	C-Channel Bolt-on (6 Bolt) Non Adjustable	–	–	–	–	N/A
3	I-Beam Bolt-on (8 Holes), Non Adjustable	–	–	90522097	90522238	52.75 [23.93]
3	I-Beam Bolt-on (9 Holes), Non Adjustable	–	–	90522169	–	52.30 [23.72]

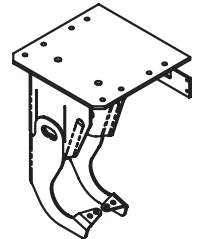
Weld-on
w/ Posilift



Weld-on
w/ Wing
w/ Posilift

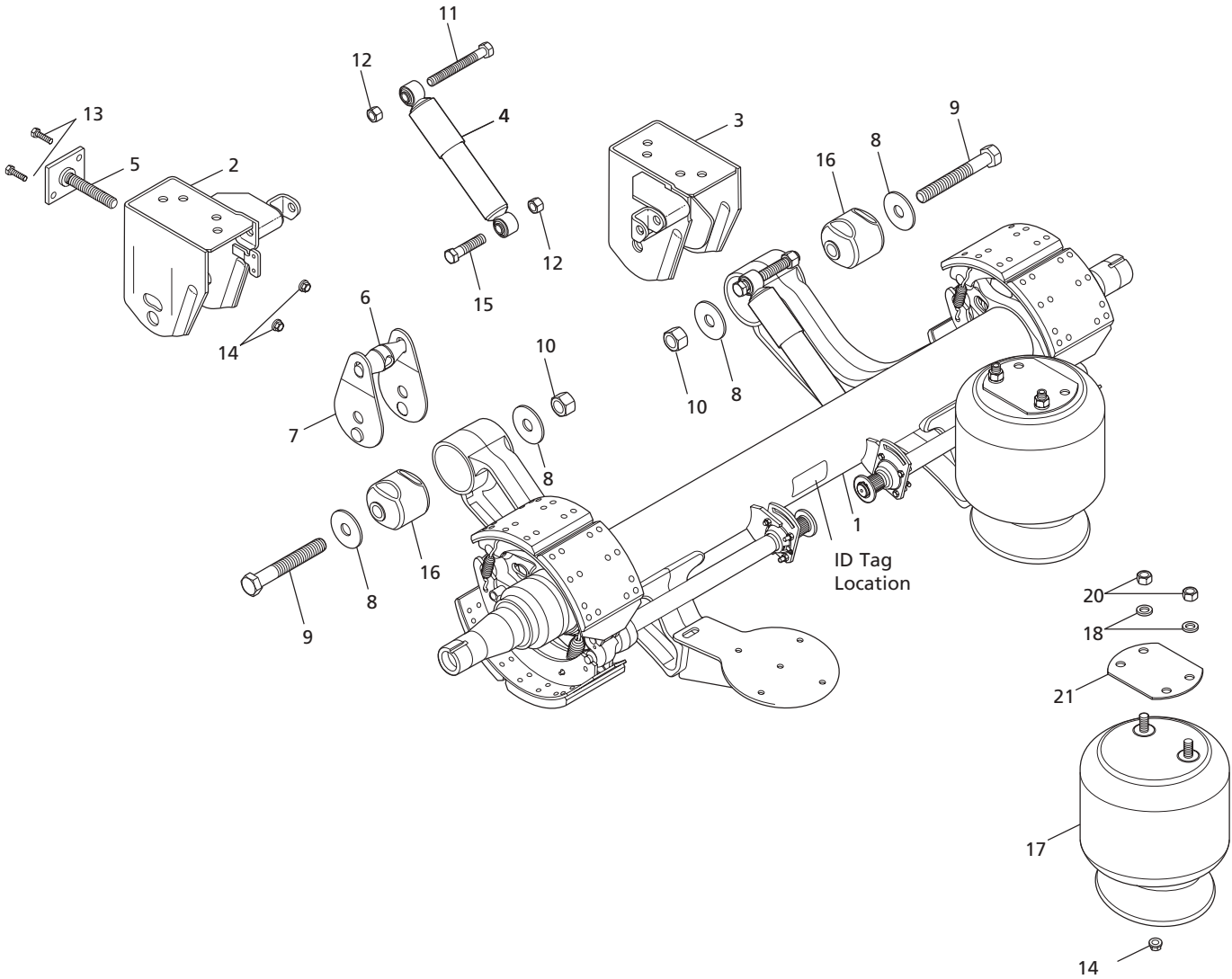


I-Beam Bolt-on
(9 Holes)
w/ Posilift



FRAME BRACKET CHART #2 FOR FUSION CBX25/30 W/338 WITH POSILIFT		RIDE HEIGHT				
ITEM	DESCRIPTION	14.0" DIM A = 7.25"	15.0" DIM A = 8.25"	16.0" DIM A = 10"	17.0" DIM A = 10"	APPROX. WEIGHT LBS. [KG]
2	Weld-on Adjustable	90522115	90522116	90522117	90522117	34.93 [15.84]
2	Weld-on w/ Wing Adjustable With HCV Mount	90522200	90522201	90522417	90522417	37.57 [17.04]
2	I-Beam Bolt-on (9 Holes), Adjustable	90522180	90522181	90522182	90522182	64.03 [29.04]
3	Weld-on Non Adjustable, Fixed	90522118	90522119	90522120	90522120	37.33 [16.93]
3	Weld-on w/ Wing Non Adjustable With HCV Mount, Fixed	90522202	90522203	90522418	90522418	39.83 [18.07]
3	I-Beam Bolt-on (9 Holes), Non Adjustable	90522183	90522184	90522185	90522185	64.52 [29.27]

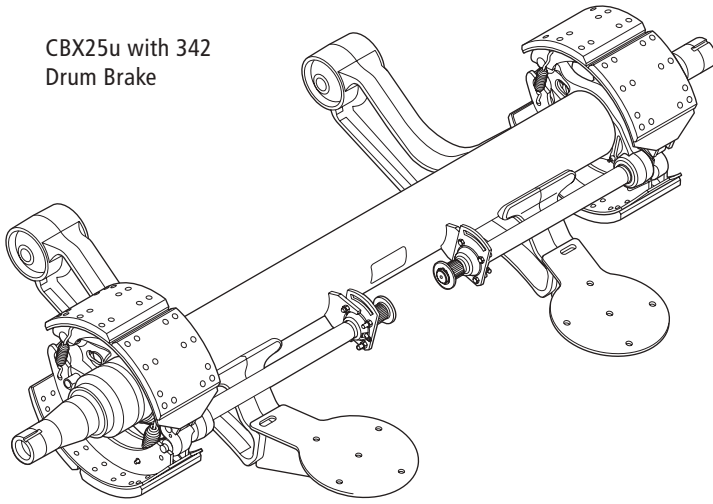
CBX25U-4 W/342 Fusion Beam Exploded View



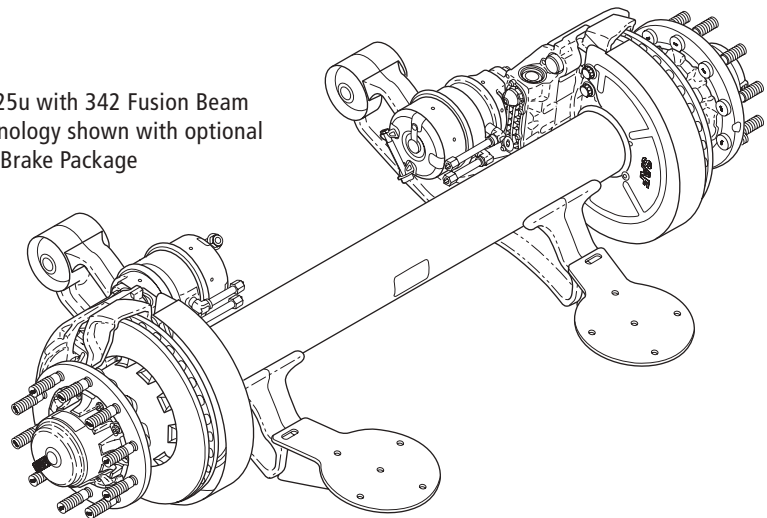
CBX25U-4 W/342 FUSION BEAM PARTS LIST				
ITEM	DESCRIPTION	PART NUMBER	QTY PER AXLE	WEIGHT LBS. [KG]
1	CBX25U-4 W/342 Fusion Axle and Beam Assembly	See Chart #1	1	See Chart #1
2	Frame Bracket	See Chart #2	1	See Chart #2
3	Frame Bracket	See Chart #2	1	See Chart #2
4	Shock Absorber 8.0" Ride Height	90045381	2	4.50 [2.04]
	Shock Absorber 9.0" Ride Height	90045608		4.90 [2.22]
	Shock Absorber 9.0" Ride Height	90044162		4.85 [2.20]
	Shock Absorber 10.0" Ride Height	90045040		5.19 [2.35]
5	Threaded Rod Assy	90548007	1	3.52 [1.60]
6	Swing Align Yoke	90045491	1	2.54 [1.15]
7	Plate Weldment	90531339	2	2.23 [1.01]
8	Washer 1.14" I.D. x 3.50" O.D. GR8	93600553	4	0.46 [0.21]
9	Bolt, Hex, 1.12-7X8.0 Gr 8	93201070	2	2.69 [1.22]
10	Nut, Hex Lock 1.13" - 7 GR-C	93400506	2	0.38 [0.17]
11	Bolt, Hex.75"-10 X 6.50" Long GR 8	93003671	2	0.10 [0.05]
12	Nut Hex.75"-10 GR B	93400492	4	0.13 [0.06]
13	Screw Hex Cap .50"-13 x 1.75" GR-5 ZC	XB-HHC-001-33	2	0.11 [0.05]
14	Nut, Flange .50"-13 GR B - Swing Align	93400623	2	0.32 [0.15]
	Nut, Flange .50"-13 GR B - Air Spring		2	
15	Bolt, Hex .75"-10 x 3.00" GR8 Lower Shock	93003585	2	0.10 [0.05]
16	Bushing, Cast Beam See 48100394	90008247	2	3.90 [1.77]
17	Air Spring Assy- 8.0" Ride Height	90557404	2	12.70 [5.76]
	Air Spring Assy- 9.0" Ride Height	90557377		13.50 [6.12]
	Air Spring Assy- 10.0" & 12.0" Ride Height	90557377		16.10 [7.30]
18	Air Spring Mounting Washer .76" I.D. x 1.27" O.D.	93600077	4	0.04 [0.02]
20	Air Spring Top Mounting Nut .75"-16 GR B	93400149	4	0.12 [0.05]
21	Air Spring Mount Plate	90034247	2	5.50 [2.49]

CBX25U W/342 Fusion Axle and Beam

CBX25u with 342
Drum Brake



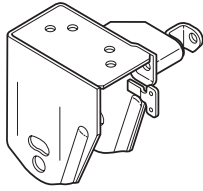
CBX25u with 342 Fusion Beam
Technology shown with optional
Disc Brake Package



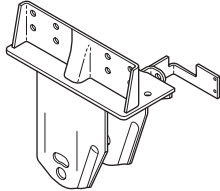
AXLE AND BEAM CHART #1 FOR FUSION CBX25U-4 W/342 FUSION

SPINDLE TYPE	DESCRIPTION	CAM BRAKED ONLY, NO PSI PREP, 16X7 BRAKE, NO CAM ENCLOSURES, LONG CAMS	WEIGHT LBS. [KG]	DISC BRAKE WITH HUB, LONG STUDS, NO PSI, WITH DUST SHIELD, WITH NUTS	WEIGHT LBS. [KG]
Tapered	Braked Beam and Axle Assy. 71.5" 35" Beam Centers	1004300003240	462.00 [209.56]	–	N/A
Tapered	Braked Beam and Axle Assy. 71.5" 36" Beam Centers	–	N/A	–	N/A
Tapered	Braked Beam and Axle Assy. 77.5" 41" Beam Centers	–	N/A	–	N/A
Tapered	Braked Beam and Axle Assy. 77.5" 42" Beam Centers	–	N/A	–	N/A
Parallel	Braked Beam and Axle Assy. 71.5" 35" Beam Centers	1004300003160	459.00 [208.20]	–	N/A
Parallel	Braked Beam and Axle Assy. 71.5" 36" Beam Centers	–	N/A	–	N/A
Parallel	Braked Beam and Axle Assy. 77.5" 41" Beam Centers	–	N/A	1005300002650	834.00 [378.30]

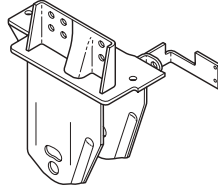
Weld-on



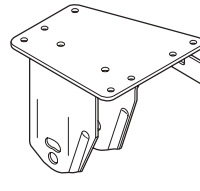
C-Channel Bolt-on (8 Bolt)



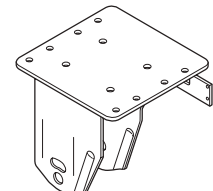
C-Channel Bolt-on (6 Bolt)



I-Beam Bolt-on (8 Holes)



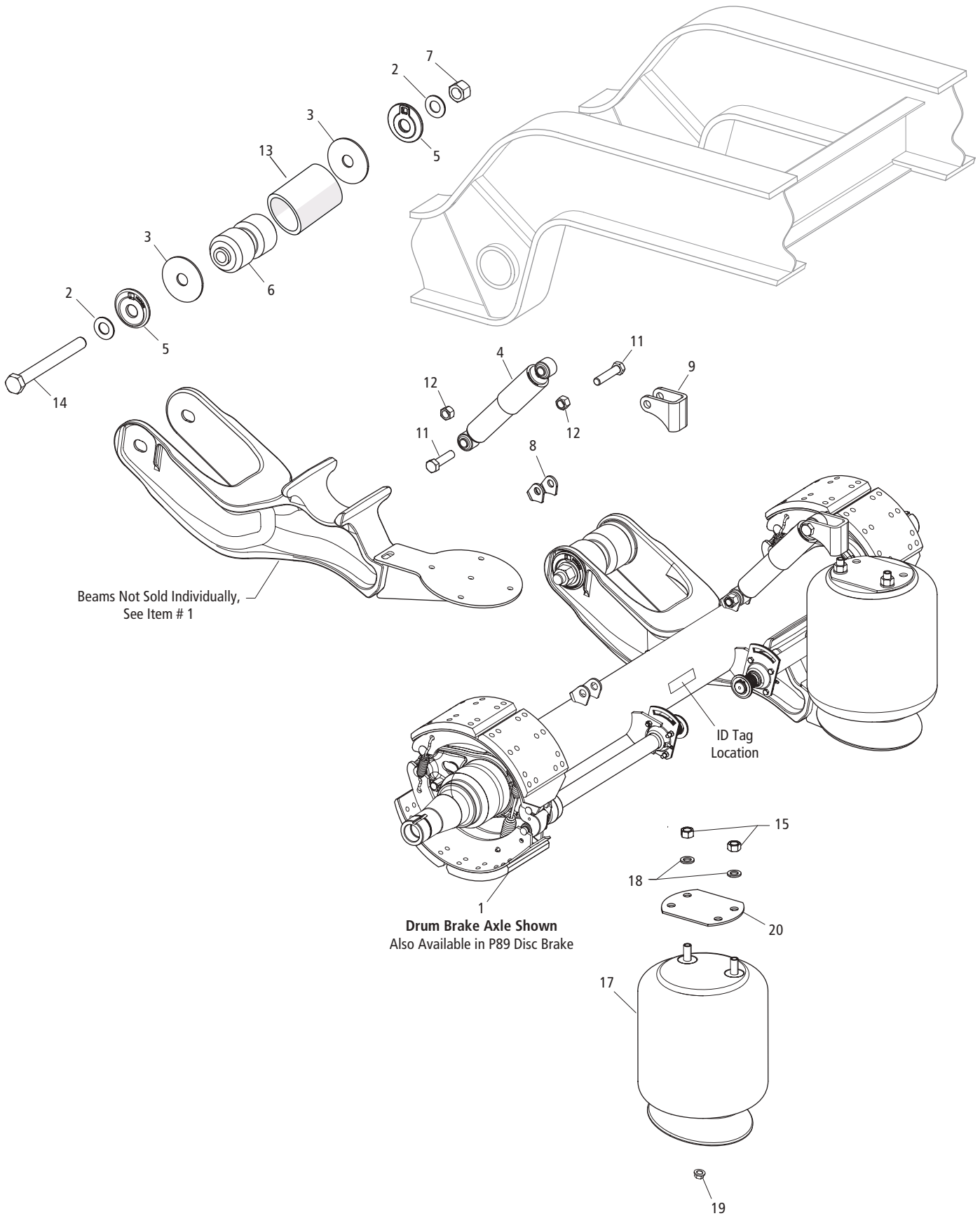
I-Beam Bolt-on (9 Holes)



FRAME BRACKET CHART #2 FOR FUSION CBX25U-4 W/342 FUSION		RIDE HEIGHT				APPROX. WEIGHT LBS. [KG]
ITEM	DESCRIPTION	7"	8"	9"	10"	
2	Weld-on Adjustable Without HCV Mount	90522405	90522406	90522406	90522408	25.90 [11.75]
2	C-Channel Bolt-on (8 Bolt), Adjustable, Side Plate	90522519	-	-	-	37.60 [17.06]
2	C-Channel Bolt-on (6 Bolt) Adjustable, Side Plate	-	90522431	-	90522450	26.15 [11.86]
2	I-Beam Bolt-on (9 Holes), Adjustable, Flat Plate	90522438	-	-	-	42.70 [19.37]
2	I-Beam Bolt-on (8 Holes), Adjustable, Flat Plate	90522170	90522168	-	-	49.00 [22.23]
3	Weld-on Non Adjustable With HCV Mount, Fixed	90522410	90522412	90522412	90522414	28.27 [12.82]
3	C-Channel Bolt-on (8 Bolt), Non Adjustable, Side Plate	90522520	-	-	-	39.70 [18.01]
3	C-Channel Bolt-on (6 Bolt), Non Adjustable, Side Plate	-	90522432	-	90522451	26.85 [12.18]
3	I-Beam Bolt-on (9 Holes), Non Adjustable, Flat Plate	90522439	-	-	-	44.50 [20.18]
3	I-Beam Bolt-on (8 Holes), Non Adjustable, Flat Plate	90522171	90522169	-	-	51.40 [23.31]

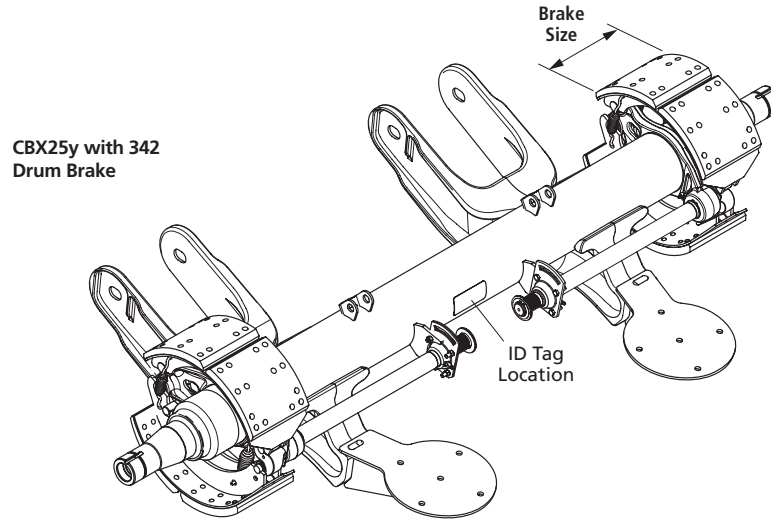
CBX25U W/342

CB25Y/CBX25Y Exploded View



CB25Y/CBX25Y PARTS LIST				
ITEM	DESCRIPTION	PART NUMBER	QTY PER AXLE	WEIGHT LBS. [KG]
1	CB25Y/CBX25Y Fusion Axle and Beam Assembly	See Chart #1	1	See Chart #1
2	Outer Washer	93600174	4	0.11 [0.05]
3	Inner Washer	93600530	4	0.72 [0.33]
4	Shock Absorber 7.0" Ride Height	90044868	2	3.96 [1.80]
	Shock Absorber 8.0" Ride Height	90045381		4.50 [2.04]
	Shock Absorber 9.0" Ride Height	90045608		4.90 [2.22]
	Shock Absorber 10.0" Ride Height	90044162		4.85 [2.20]
	Shock Absorber 12.0" Ride Height	90045040		5.19 [2.35]
5	Alignment Collar	90001546	4	0.94 [0.43]
6	Pivot Bushing	90008285	2	5.00 [2.27]
7	Nut, Hex Lock 1.13" - 7 GR-C	93400506	2	0.38 [0.17]
8	Lower Shock Bracket, for Ø 5.75" Axle (CBX25Y)	90026546	2	0.36 [0.16]
	Lower Shock Bracket, for Ø 5" Axle (CBX25Y)	90026756		0.44 [0.20]
9	Upper Shock Bracket	90018515	2	1.02 [0.46]
11	Hex Bolt 0.75-10X3.50 GR 5	93006035	4	0.56 [0.25]
12	Nut Hex.75" -10 GR B	93400492	4	0.13 [0.06]
13	Tube, Pivot Housing	90038393	2	1.88 [0.85]
14	Pivot Bolt	93201053	2	3.56 [1.61]
15	Hex Nut 0.75-16 GR B	93400149	4	0.12 [0.05]
17	Air Spring Assy- 7.0" Ride Height	90557403	2	12.70 [5.76]
	Air Spring Assy- 8.0" Ride Height	90557369		16.70 [7.57]
	Air Spring Assy- 9.0", 10.0" & 12.0" Ride Height	90557377		16.10 [7.30]
18	Air Spring Mounting Washer	93600077	4	0.04 [0.02]
19	Nut, Flange .50"-13 GR B - Air Spring	93400623	2	0.32 [0.15]
20	Air Spring Mount Plate	90034838	2	2.22 [1.01]

CB25Y/CBX25Y W/342 Fusion Axle and Beam

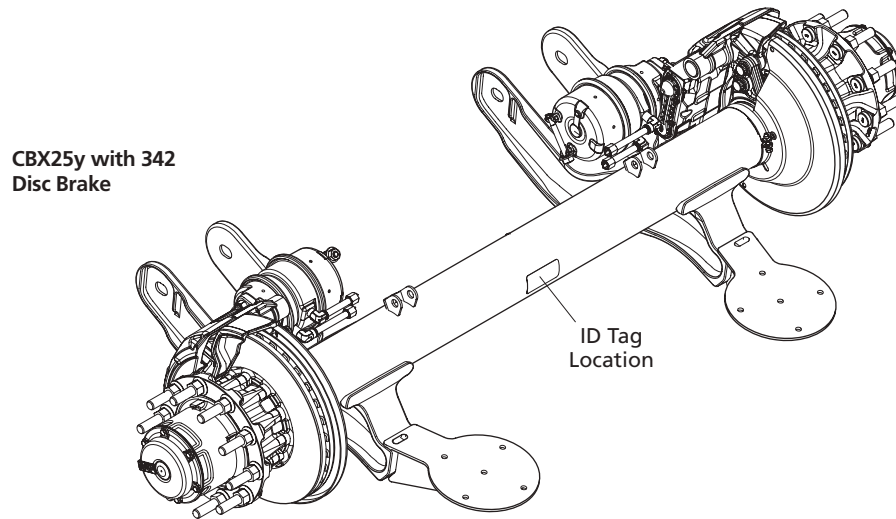


AXLE AND BEAM CHART #1 FOR FUSION CBX25Y W/342 FUSION

SPINDLE TYPE	DESCRIPTION	PART NUMBER	WEIGHT LBS. [KG]
Tapered	Braked Beam and Axle Assy, 71.5" Track; 35" Beam Centers	1004300011000	489.00 [221.81]
Tapered	Braked Beam and Axle Assy, 71.5" Track; 36" Beam Centers	1004300011010	489.00 [221.81]
Tapered	Braked Beam and Axle Assy, 77.5" Track; 41" Beam Centers	1004300011020	501.00 [227.25]
Tapered	Braked Beam and Axle Assy, 77.5" Track; 42" Beam Centers	1004300011030	501.00 [227.25]
Parallel	Braked Beam and Axle Assy, 71.5" Track; 35" Beam Centers	1004300010960	485.00 [219.99]
Parallel	Braked Beam and Axle Assy, 71.5" Track; 36" Beam Centers	1004300010970	485.00 [219.99]
Parallel	Braked Beam and Axle Assy, 77.5" Track; 41" Beam Centers	1004300010980	498.00 [225.89]
Parallel	Braked Beam and Axle Assy, 77.5" Track; 42" Beam Centers	1004300010990	498.00 [225.89]

AXLE AND BEAM ASSEMBLY, Ø5.00 IMT - CB25Y W/342

SPINDLE TYPE	DESCRIPTION	PART NUMBER	WEIGHT LBS. [KG]
Tapered	Braked Beam and Axle Assy, 71.5" Track; 35.0" Beam Centers	1004300011040	462.00 [209.56]
Tapered	Braked Beam and Axle Assy, 71.5" Track; 36.0" Beam Centers	1004300011050	462.00 [209.56]
Tapered	Braked Beam and Axle Assy, 77.5" Track; 41.0" Beam Centers	1004300011060	477.00 [216.36]
Tapered	Braked Beam and Axle Assy, 77.5" Track; 42.0" Beam Centers	1004300011070	477.00 [216.36]
Tapered	Braked Beam and Axle Assy, 71.5" Track; 35.0" Beam Centers	1004300011080	491.00 [222.71]
Tapered	Braked Beam and Axle Assy, 71.5" Track; 36.0" Beam Centers	1004300011090	491.00 [222.71]
Tapered	Braked Beam and Axle Assy, 77.5" Track; 41.0" Beam Centers	1004300011100	506.00 [229.52]
Tapered	Braked Beam and Axle Assy, 77.5" Track; 42.0" Beam Centers	1004300011110	506.00 [229.52]
Tapered	Braked Beam and Axle Assy, 71.5" Track; 35.0" Beam Centers	1004300011120	462.00 [209.56]
Tapered	Braked Beam and Axle Assy, 71.5" Track; 36.0" Beam Centers	1004300011130	462.00 [209.56]
Tapered	Braked Beam and Axle Assy, 77.5" Track; 41.0" Beam Centers	1004300011140	477.00 [216.36]
Tapered	Braked Beam and Axle Assy, 77.5" Track; 42.0" Beam Centers	1004300011150	477.00 [216.36]
Tapered	Braked Beam and Axle Assy, 71.5" Track; 35.0" Beam Centers	1004300011160	491.00 [222.71]
Tapered	Braked Beam and Axle Assy, 71.5" Track; 36.0" Beam Centers	1004300011170	491.00 [222.71]
Tapered	Braked Beam and Axle Assy, 77.5" Track; 41.0" Beam Centers	1004300011180	506.00 [229.52]
Tapered	Braked Beam and Axle Assy, 77.5" Track; 42.0" Beam Centers	1004300011190	506.00 [229.52]
Parallel	Braked Beam and Axle Assy, 71.5" Track; 35.0" Beam Centers	1004300012150	459.00 [208.20]
Parallel	Braked Beam and Axle Assy, 71.5" Track; 36.0" Beam Centers	1004300012160	459.00 [208.20]
Parallel	Braked Beam and Axle Assy, 77.5" Track; 41.0" Beam Centers	1004300012170	474.00 [215.00]
Parallel	Braked Beam and Axle Assy, 77.5" Track; 42.0" Beam Centers	1004300012180	474.00 [215.00]
Parallel	Braked Beam and Axle Assy, 71.5" Track; 35.0" Beam Centers	1004300012190	488.00 [221.35]
Parallel	Braked Beam and Axle Assy, 71.5" Track; 36.0" Beam Centers	1004300012200	488.00 [221.35]
Parallel	Braked Beam and Axle Assy, 77.5" Track; 41.0" Beam Centers	1004300012210	503.00 [228.16]
Parallel	Braked Beam and Axle Assy, 77.5" Track; 42.0" Beam Centers	1004300012220	503.00 [228.16]
Parallel	Braked Beam and Axle Assy, 71.5" Track; 35.0" Beam Centers	1004300012230	459.00 [208.20]
Parallel	Braked Beam and Axle Assy, 71.5" Track; 36.0" Beam Centers	1004300012240	459.00 [208.20]
Parallel	Braked Beam and Axle Assy, 77.5" Track; 41.0" Beam Centers	1004300012250	474.00 [215.00]
Parallel	Braked Beam and Axle Assy, 77.5" Track; 42.0" Beam Centers	1004300012260	474.00 [215.00]
Parallel	Braked Beam and Axle Assy, 71.5" Track; 35.0" Beam Centers	1004300012270	488.00 [221.35]
Parallel	Braked Beam and Axle Assy, 71.5" Track; 36.0" Beam Centers	1004300012280	488.00 [221.35]
Parallel	Braked Beam and Axle Assy, 77.5" Track; 41.0" Beam Centers	1004300012290	503.00 [228.16]
Parallel	Braked Beam and Axle Assy, 77.5" Track; 42.0" Beam Centers	1004300012300	503.00 [228.16]

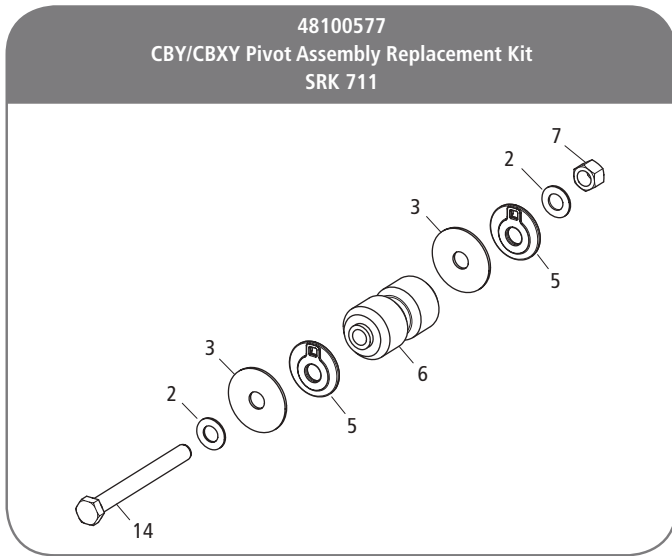


BEAM & AXLE ASSEMBLY-PARALLEL DISC-CBX25Y W/342

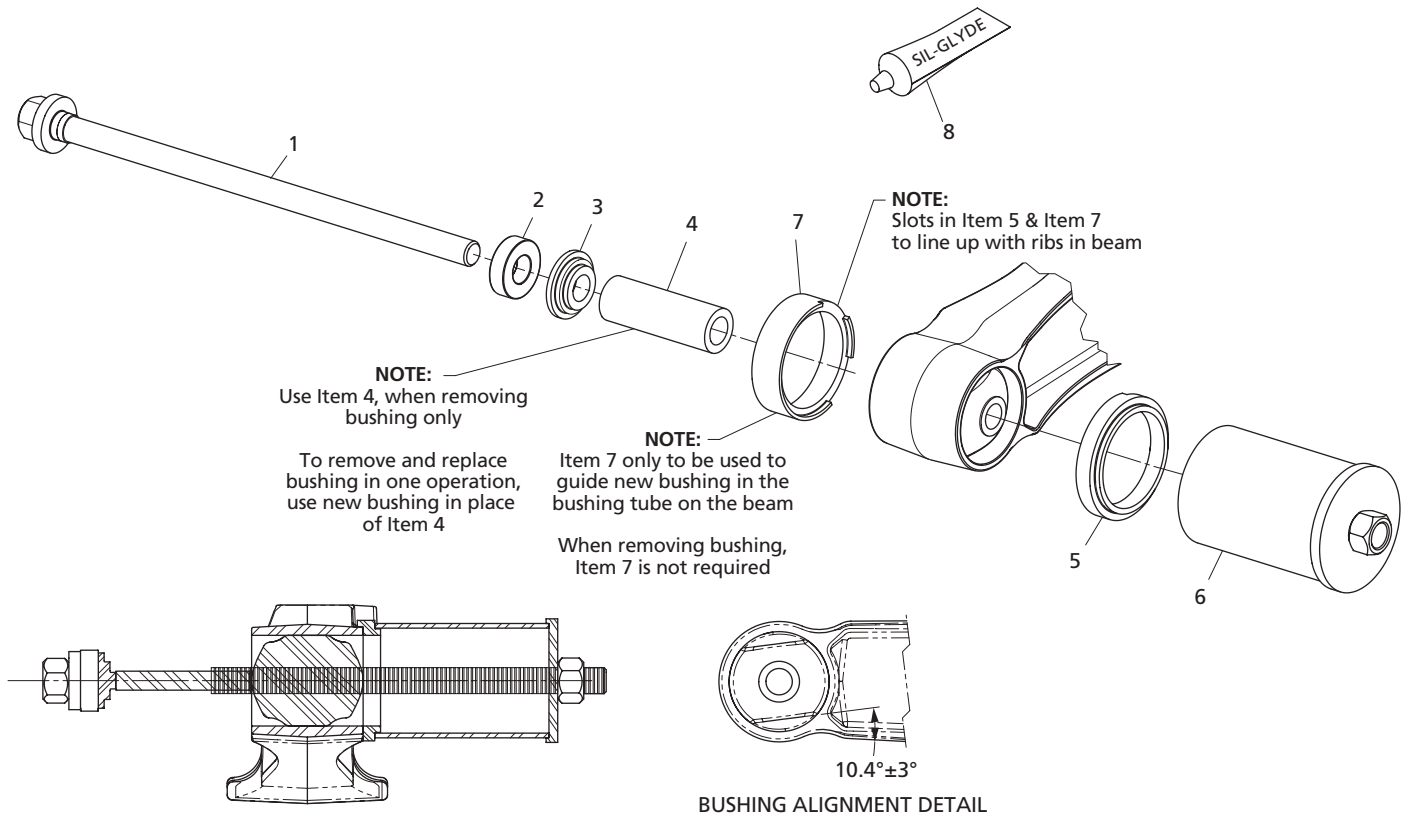
SPINDLE TYPE	DESCRIPTION	PART NUMBER	WEIGHT LBS. [KG]
Parallel	Braked Beam and Axle Assy, 71.5" Track; 35.0" Beam Centers	2006200006320	356.00 [161.48]
Parallel	Braked Beam and Axle Assy, 71.5" Track; 36.0" Beam Centers	2006200006330	356.00 [161.48]
Parallel	Braked Beam and Axle Assy, 77.5" Track; 41.0" Beam Centers	2006200006340	368.00 [166.92]
Parallel	Braked Beam and Axle Assy, 77.5" Track; 42.0" Beam Centers	2006200006350	368.00 [166.92]
Parallel	Braked Beam and Axle Assy, 71.5" Track; 35.0" Beam Centers	2006200006360	356.00 [161.48]
Parallel	Braked Beam and Axle Assy, 71.5" Track; 36.0" Beam Centers	2006200006370	356.00 [161.48]
Parallel	Braked Beam and Axle Assy, 77.5" Track; 41.0" Beam Centers	2006200006380	368.00 [166.92]
Parallel	Braked Beam and Axle Assy, 77.5" Track; 42.0" Beam Centers	2006200006390	368.00 [166.92]
Parallel	Braked Beam and Axle Assy, 79.0" Track; 42.5" Beam Centers	2006200006400	373.00 [169.19]
Parallel	Braked Beam and Axle Assy, 77.5" Track; 38.0" Beam Centers	2006200009010	368.00 [166.92]

CB25Y/CBX25Y

CB25Y/CBX25Y W/342 Replacement Kit



ITEM NO.	DESCRIPTION	PART NUMBER	QTY	WEIGHT LBS. [KG]
2	Washer Flat Narrow 1.12	93600174	2	0.11 [0.05]
3	Washer Wear 1.13	93600530	2	0.72 [0.33]
5	Alignment Puck	90001546	2	0.94 [0.43]
6	Bushing,Yoke Mount Pivot	90008285	1	5.00 [2.27]
7	Nut,Hex,Lock 1.13-7 GR C	93400506	1	0.38 [0.17]
14	Bolt,Hex,1.13X7X11 GR 8	93201053	1	3.56 [1.61]



Section view of mounted bushing service tool w/o Item 7
BUSHING REMOVAL SETUP SHOWN

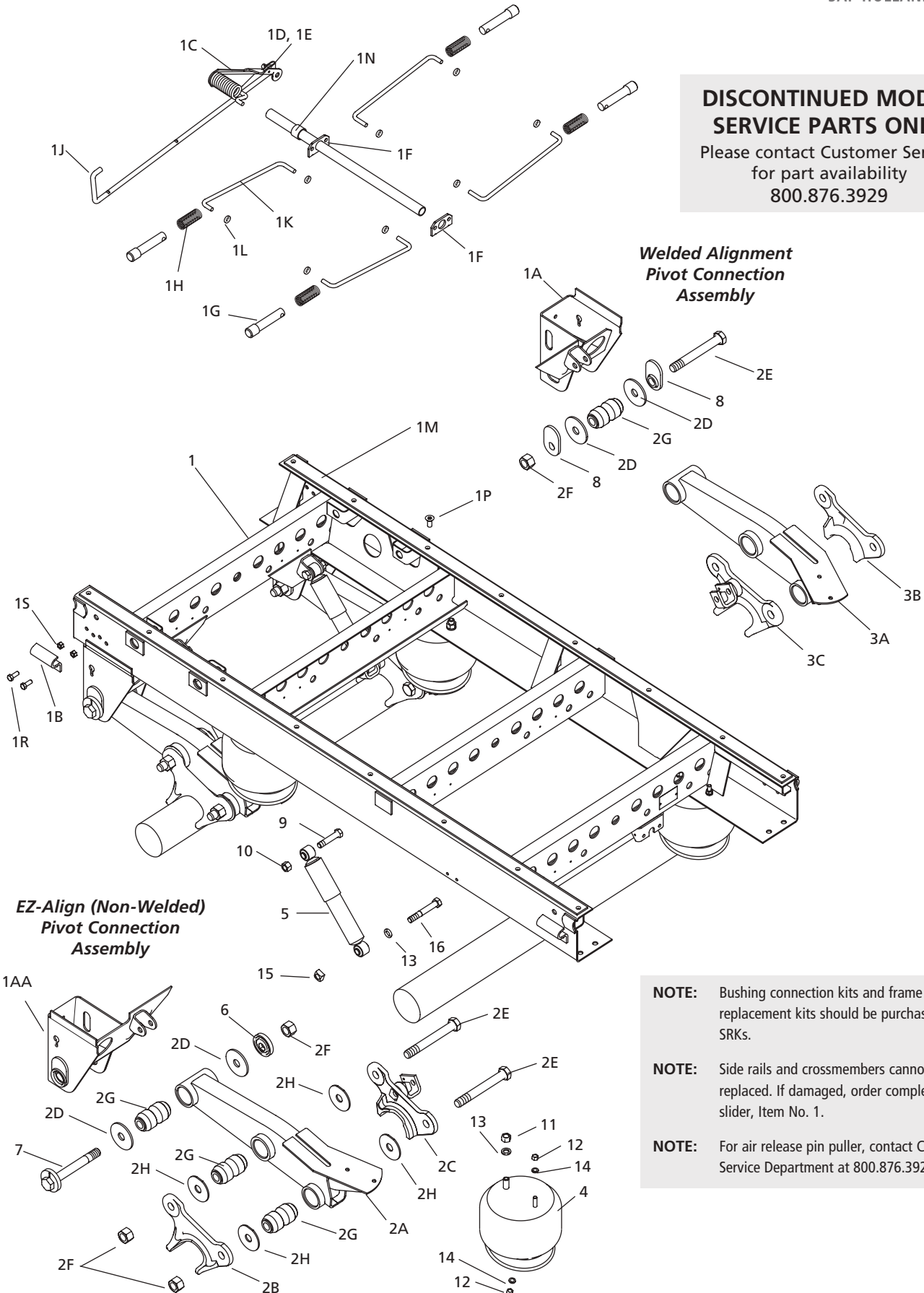
BUSHING ALIGNMENT DETAIL

Part Number: 50544015

WEIGHT
LBS [KG]
25.90 [11.75]

ITEM NO.	DESCRIPTION	PART NUMBER	QTY	WEIGHT LBS. [KG]
1	Bolt Assy, Hex, 1.12-5 X 23.12	93900167	1	7.80 [3.54]
2	Thrust Bearing	50008002	1	5.00 [2.27]
3	Adapter Plate	50001001	1	0.80 [0.36]
4	Tube, Sleeve, 2X .38 X 5.75	50038002	1	3.10 [1.41]
5	Plate, Adapter	50001006	1	1.90 [0.86]
6	Bushing Puller	50538004	1	9.40 [4.26]
7	Guide, Bushing	50044004	1	2.00 [0.91]
8	Fluid, Lubricant, Sil-Glyde	80000290	1	0.50 [0.23]

NS400 Slider Box and Suspension Exploded View



**DISCONTINUED MODEL
SERVICE PARTS ONLY**
Please contact Customer Service
for part availability
800.876.3929

**Welded Alignment
Pivot Connection
Assembly**

**EZ-Align (Non-Welded)
Pivot Connection
Assembly**

- NOTE:** Bushing connection kits and frame bracket replacement kits should be purchased as SRKs.
- NOTE:** Side rails and crossmembers cannot be replaced. If damaged, order complete slider, Item No. 1.
- NOTE:** For air release pin puller, contact Customer Service Department at 800.876.3929.

NS400 PARTS LIST				
ITEM	DESCRIPTION	PART NUMBER	QTY	WEIGHT LBS. [KG]
1	Slider Assy. w/Quik Release w/ 2NW & 2WA Frame Brackets- See Chart #1	See Chart #1	1	N/A
	Slider Assy. w/Quik Release w/ 4NW Frame Brackets- See Chart #1		1	N/A
1A	Frame Bracket, Roadside (Welded)	N/A	N/A	N/A
	Frame Bracket, Curbside (Welded)	See Frame Bracket Replacement Kits Page 2-97		
1AA	Frame Bracket, Roadside (EZ-Align)	See Frame Bracket Replacement Kits Page 2-97	N/A	N/A
	Frame Bracket, Curbside (EZ-Align)			
1B	Clip, Hold Down	90015150	4	2.30 [1.04]
1C	Cam W/A Torsion	SL0A1277-01	1	7.23 [3.28]
1D	Washer, Flat .63	XB-PW-016-08	1	0.30 [0.14]
1E	Pin, Cotter, .19" x 1.50" LG	XB-CTP-014-59	1	0.10 [0.05]
1F	Cam, Plate	SL0A1274	2	0.37 [0.17]
1G	Pin, Step Lock 1.63 x 6.38" (Hutch Style)	SL0A1261	4	2.15 [0.98]
	Pin, Lock 1.38" x 6.38" (All others)	SL0A1238	4	1.92 [0.87]
1H	Spring, Compression	XB-SPG-020-35	1	0.25 [0.11]
1J	Arm, Pull - 42" Frame Width	SL0A1269-02	1	3.55 [1.61]
	Arm, Pull - 48" Frame Width	SL0A1269-01	1	3.81 [1.73]
1K	Arm, Linkage 15.08" - 42" Frame Width	SL0A1239-01	4	0.97 [0.44]
	Arm, Linkage 18.08" - 48" Frame Width	SL0A1239-02	4	1.23 [0.56]
1L	Washer, Flat .19" Thk x .52" I.D. x 1.00" O.D.	XB-PW-016-85	8	0.28 [0.13]
1M	Block, Slide	XB-SL0A1054	2	1.58 [0.72]
1N	Spacer 1.66" Tube 1.25"	SL0523-07	1	0.24 [0.11]
1P	Screw .32" - 18 x.75" Flat HD Torx Taptie 2	XB-STS-008-16	16	0.02 [0.01]
1R	Cap Screw, Hex HD.50" - 13 x 1.75" GR5 ZC	XB-HHC-001-33	8	0.11 [0.05]
1S	Nut, Hex Prev Torque .50" - 13 GR-B Plain	XB-SLN-012-42	8	0.03 [0.01]
2A	Beam, EQ Assembly w/ Bushings LH	90516945	2	66.00 [29.94]
2B	Adapter, Axle - Machined (Outside)	90001341	2	11.90 [5.40]
2C	Adapter, Axle LH (Inside)	90501350	2	13.53 [6.14]
2D***	Washer, Flat	90036177	8	0.80 [0.36]
2E***	Bolt, Hex, 1.12-7 X 8.75" Gr 8	93201051	10	2.80 [1.27]
2F***	Nut, Hex Lock 1.13" - 7 GR-C	93400506	6	0.38 [0.17]
2G***	Bushing	90008149	12	2.50 [1.13]
2H***	Washer	90036217	16	0.53 [0.24]
3A	Beam, EQ Assembly w/ Bushings RH	90516946	2	66.00 [29.94]
3B	Adapter, Axle Machined (Outside)	90001340	2	11.75 [5.33]
3C	Adapter, Axle RH (Inside)	90501351	2	12.90 [5.85]

*** Replacement components should be purchased in Bushing Connection SRK kits.

**NOT ALL COMPONENTS
SOLD SEPARATELY**

NS400 Suspension Parts List - cont'd.

NS400 PARTS LIST, CONT'D				
ITEM	DESCRIPTION	PART NUMBER	QTY	WEIGHT LBS. [KG]
4	Spring Air Assembly - 16.0" Ride Height	90557223	4	10.70 [4.85]
	Spring Air Assembly - 16.5" & 17.0" Ride Height	90557225	4	12.00 [5.44]
	Spring Air Assembly - 18.0" Ride Height	90557194	4	30.10 [13.65]
5	Shock Absorber - 16.0" Ride Height	90045298	4	4.90 [2.22]
	Shock Absorber - 16.5" Ride Height	90044162	4	4.85 [2.20]
	Shock Absorber - 17.0" Ride Height	90045299	4	4.33 [1.96]
	Shock Absorber - 18.0" Ride Height	90045040	4	5.19 [2.35]
6***	Alignment Block, Non-Weld	90008238	2	1.10 [0.50]
7***	Alignment Block Assembly	90508019	2	3.98 [1.81]
8***	Alignment Block	90008234	4	1.19 [0.54]
9	Cap Screw, Hex.75" - 10 x 3.50" GR5	93003597	8	0.52 [0.24]
10	Nut, Hex Lock .75" - 10 GR-B	93400492	4	0.13 [0.06]
11	Nut, Hex.75" - 16 GR-B	93400149	4	0.12 [0.05]
12	Nut, Hex .5" - 13 GR-B	93400136	8	0.40 [0.18]
13	Washer, Lock .78"	93600077	8	0.04 [0.02]
14	Washer, Lock .53"	93600072	8	0.02 [0.01]
15	Nut, Square .75" - 10 GR2	93400367	4	0.14 [0.06]
16	Cap Screw, Hex.75" - 10 x 5.00" GR5	93003633	4	0.72 [0.33]

*** Replacement components should be purchased in Bushing Connection SRK kits.

NSB-400 SLIDER ASSEMBLY BINKLEY STYLE - CHART #1						
FRAME BRACKET DESCRIPTION	SLIDE LENGTH	FRAME WIDTH	16.0" RIDE HEIGHT	16.5" RIDE HEIGHT	17.0" RIDE HEIGHT	18.0" RIDE HEIGHT
2 Non-Weld 2 Welded Adjustable	96.0"	42.0"	NL1Q22112N000Y0	NL1Q22122N000Y0	NL1Q22132N000Y0	NL1Q22142N000Y0
		48.0"	NL1Q12112N000Y0	NL1Q12122N000Y0	NL1Q12132N000Y0	NL1Q12142N000Y0
4 Non-Weld	96.0"	42.0"	NL1Q22111N000Y0	NL1Q22121N000Y0	NL1Q22131N000Y0	NL1Q22141N000Y0
		48.0"	NL1Q12111N000Y0	NL1Q12121N000Y0	NL1Q12131N000Y0	NL1Q12141N000Y0

NSH-400 SLIDER ASSEMBLY HUTCH STYLE - CHART #1						
FRAME BRACKET DESCRIPTION	SLIDE LENGTH	FRAME WIDTH	16.0" RIDE HEIGHT	16.5" RIDE HEIGHT	17.0" RIDE HEIGHT	18.0" RIDE HEIGHT
2 Non-Weld 2 Welded Adjustable	96.0"	42.0"	NH1Q22112N000Y0	NH1Q22122N000Y0	NH1Q22132N000Y0	NH1Q22142N000Y0
		48.0"	NH1Q12112N000Y0	NH1Q12122N000Y0	NH1Q12132N000Y0	NH1Q12142N000Y0
4 Non-Weld	96.0"	42.0"	NH1Q22111N000Y0	NH1Q22121N000Y0	NH1Q22131N000Y0	NH1Q22141N000Y0
		48.0"	NH1Q12111N000Y0	NH1Q12121N000Y0	NH1Q12131N000Y0	NH1Q12141N000Y0

NST-400 SLIDER ASSEMBLY TTMA STYLE - CHART #1						
FRAME BRACKET DESCRIPTION	SLIDE LENGTH	FRAME WIDTH	16.0" RIDE HEIGHT	16.5" RIDE HEIGHT	17.0" RIDE HEIGHT	18.0" RIDE HEIGHT
2 Non-Weld 2 Welded Adjustable	96.0"	42.0"	NT1Q22112N000Y0	NT1Q22122N000Y0	NT1Q22132N000Y0	NT1Q22142N000Y0
		48.0"	NT1Q12112N000Y0	NT1Q12122N000Y0	NT1Q12132N000Y0	NT1Q12142N000Y0
4 Non-Weld	96.0"	42.0"	NT1Q22111N000Y0	NT1Q22121N000Y0	NT1Q22131N000Y0	NT1Q22141N000Y0
		48.0"	NT1Q12111N000Y0	NT1Q12121N000Y0	NT1Q12131N000Y0	NT1Q12141N000Y0

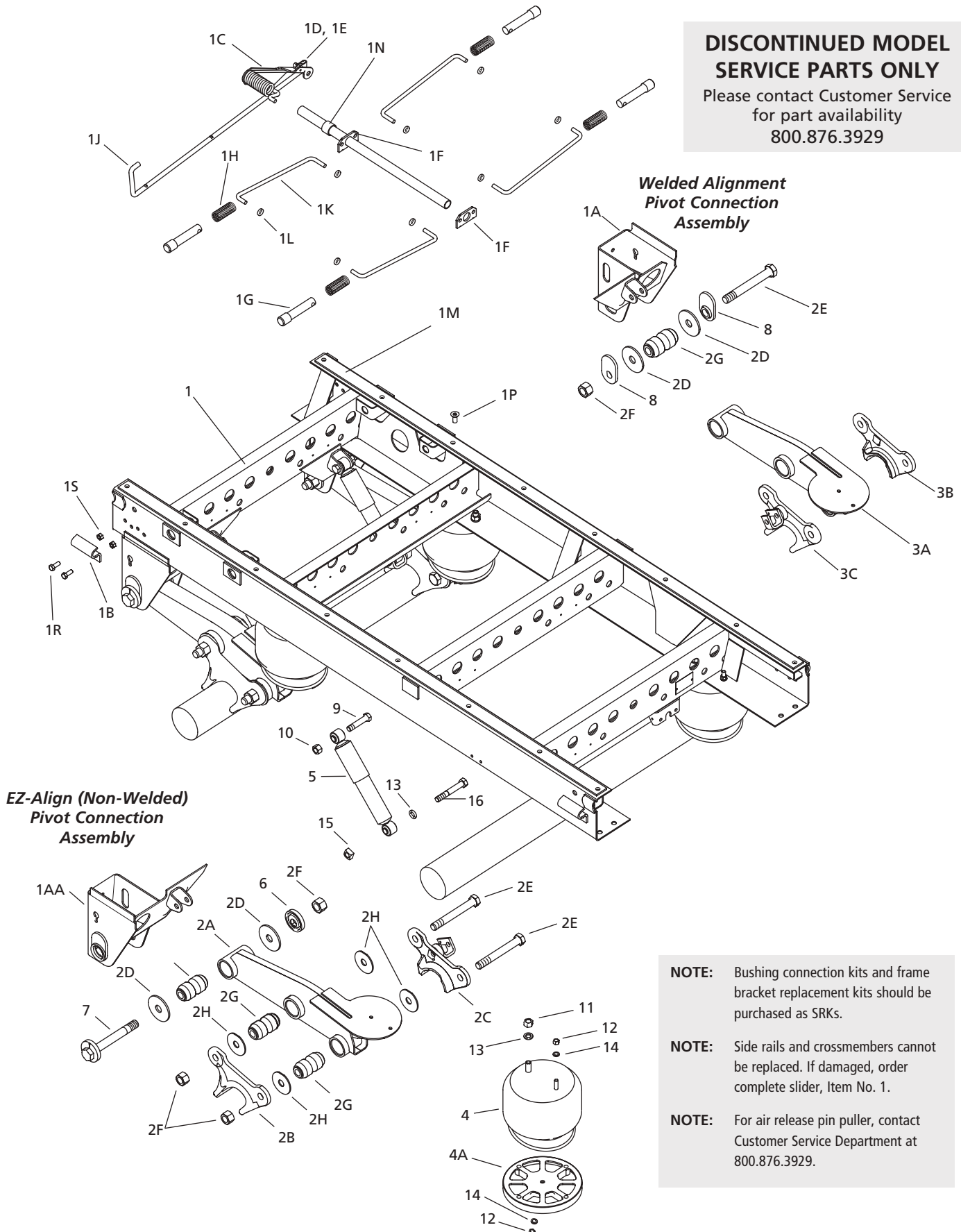
NSH-400 SLIDER ASSEMBLY UTILITY STYLE - CHART #1						
FRAME BRACKET DESCRIPTION	SLIDE LENGTH	FRAME WIDTH	16.0" RIDE HEIGHT	16.5" RIDE HEIGHT	17.0" RIDE HEIGHT	18.0" RIDE HEIGHT
2 Non-Weld 2 Welded Adjustable	96.0"	42.0"	NU1Q22112N000Y0	NU1Q22122N000Y0	NU1Q22132N000Y0	NU1Q22142N000Y0
		48.0"	NU1Q12112N000Y0	NU1Q12122N000Y0	NU1Q12132N000Y0	NU1Q12142N000Y0
4 Non-Weld	96.0"	42.0"	NU1Q22111N000Y0	NU1Q22121N000Y0	NU1Q22131N000Y0	NU1Q22141N000Y0
		48.0"	NU1Q12111N000Y0	NU1Q12121N000Y0	NU1Q12131N000Y0	NU1Q12141N000Y0

NS Series

NS450 Slider Box and Suspension Exploded View

**DISCONTINUED MODEL
SERVICE PARTS ONLY**

Please contact Customer Service
for part availability
800.876.3929



NOTE: Bushing connection kits and frame bracket replacement kits should be purchased as SRKs.

NOTE: Side rails and crossmembers cannot be replaced. If damaged, order complete slider, Item No. 1.

NOTE: For air release pin puller, contact Customer Service Department at 800.876.3929.

NS450 PARTS LIST				
ITEM	DESCRIPTION	PART NUMBER	QTY	WEIGHT LBS. [KG]
1	Slider Assy. w/Quik Release w/ 2NW & 2WA Frame Brackets- See Chart #1	See Chart #1	1	N/A
	Slider Assy. w/Quik Release w/ 4NW Frame Brackets- See Chart #1		1	N/A
1A	Frame Bracket, Roadside (Welded)	NA	N/A	N/A
	Frame Bracket, Curbside (Welded)	See Frame Bracket Replacement Kits Page 2-97		
1AA	Frame Bracket, Roadside (EZ-Align)	See Frame Bracket Replacement Kits Page 2-97	N/A	N/A
	Frame Bracket, Curbside (EZ-Align)			
1B	Clip, Hold Down	90015150	4	2.30 [1.04]
1C	Cam W/A Torsion	SL0A1277-01	1	7.23 [3.28]
1D	Washer, Flat .63	XB-PW-016-08	1	0.30 [0.14]
1E	Pin, Cotter, .19" x 1.50" LG	XB-CTP-014-59	1	0.10 [0.05]
1F	Cam, Plate	SL0A1274	2	0.37 [0.17]
1G	Pin, Step Lock 1.63 x 6.38" (Hutch Style)	SL0A1261	4	2.15 [0.98]
	Pin, Lock 1.38" x 6.38" (All others)	SL0A1238	4	1.92 [0.87]
1H	Spring, Compression	XB-SPG-020-35	1	0.25 [0.11]
1J	Arm, Pull - 42" Frame Width	SL0A1269-02	1	3.55 [1.61]
	Arm, Pull - 48" Frame Width	SL0A1269-01	1	3.81 [1.73]
1K	Arm, Linkage 15.08" - 42" Frame Width	SL0A1239-01	4	0.97 [0.44]
	Arm, Linkage 18.08" - 48" Frame Width	SL0A1239-02	4	1.23 [0.56]
1L	Washer, Flat .19" Thk x .52" I.D. x 1.00" O.D.	XB-PW-016-85	8	0.28 [0.13]
1M	Block, Slide	XB-SL0A1054	2	1.58 [0.72]
1N	Spacer 1.66" Tube 1.25"	SL0523-07	1	0.24 [0.11]
1P	Screw .32" - 18 x.75" Flat HD Torx Taptie 2	XB-ST5-008-16	16	0.02 [0.01]
1R	Cap Screw, Hex HD.50" - 13 x 1.75" GR5 ZC	XB-HHC-001-33	8	0.11 [0.05]
1S	Nut, Hex Prev Torque .50" - 13 GR-B Plain	XB-SLN-012-42	8	0.03 [0.01]
2A	Beam, EQ Assembly w/ Bushings LH	90516991	2	58.00 [26.31]
2B	Adapter, Axle - Machined (Outside)	90001341	2	11.90 [5.40]
2C	Adapter, Axle LH (Inside)	90501350	2	13.53 [6.14]
2D***	Washer, Flat	90036177	8	0.80 [0.36]
2E***	Bolt, Hex, 1.12-7 X 8.75" Gr 8	93201051	10	2.80 [1.27]
2F***	Nut, Hex Lock 1.13" - 7 GR-C	93400506	6	0.38 [0.17]
2G***	Bushing	90008149	12	2.50 [1.13]
2H***	Washer	90036217	16	0.53 [0.24]
3A	Beam, EQ Assembly w/ Bushings RH	90516992	2	58.00 [26.31]
3B	Adapter, Axle Machined (Outside)	90001340	2	11.75 [5.33]
3C	Adapter, Axle RH (Inside)	90501351	2	12.90 [5.85]

NOTE: For 108" and 120" Slider Boxes and Components Contact Technical/Customer Service Department: 800.876.3929

**NOT ALL COMPONENTS
SOLD SEPARATELY**

NS450 Suspension Parts List - cont'd.

NS400 PARTS LIST, CONT'D				
ITEM	DESCRIPTION	PART NUMBER	QTY	WEIGHT LBS. [KG]
4	Spring Air Assembly - 16.0" Ride Height	90557271	4	12.00 [5.44]
	Spring Air Assembly - 16.5" & 17.0" Ride Height	90557272	4	12.00 [5.44]
	Spring Air Assembly - 18.0" Ride Height	90557273	4	25.00 [11.34]
4A	Air Spring Spacer	90045362	1 †	1.06 [0.48]
5	Shock Absorber - 16.0" Ride Height	90045298	4	4.90 [2.22]
	Shock Absorber - 16.5" Ride Height	90044162	4	4.85 [2.20]
	Shock Absorber - 17.0" Ride Height	90045299	4	4.33 [1.96]
	Shock Absorber - 18.0" Ride Height	90045040	4	5.19 [2.35]
6***	Alignment Block, Non-Weld	90008238	2	1.10 [0.50]
7***	Alignment Block Assembly	90508019	2	3.98 [1.81]
8***	Alignment Block	90008234	4	1.19 [0.54]
9	Cap Screw, Hex.75" - 10 x 3.50" GR5	93003597	8	0.52 [0.24]
10	Nut, Hex Lock .75" - 10 GR-B	93400492	4	0.13 [0.06]
11	Nut, Hex.75" - 16 GR-B	93400149	4	0.12 [0.05]
12	Nut, Hex .5" - 13 GR-B	93400136	8	0.40 [0.18]
13	Washer, Lock .78"	93600077	8	0.04 [0.02]
14	Washer, Lock .53"	93600072	8	0.02 [0.01]
15	Nut, Square .75" - 10 GR2	93400367	4	0.14 [0.06]
16	Cap Screw, Hex.75" - 10 x 5.00" GR5	93003633	4	0.72 [0.33]

† For NS450 Model only: 16.5" and 17.0" use (1) spacer; 18.0" uses (2) spacers.

NSB-450 SLIDER ASSEMBLY BINKLEY STYLE - CHART #1

FRAME BRACKET DESCRIPTION	SLIDE LENGTH	FRAME WIDTH	16.0" RIDE HEIGHT	16.5" RIDE HEIGHT	17.0" RIDE HEIGHT	18.0" RIDE HEIGHT
2 Non-Weld 2 Welded Adjustable	96.0"	42.0"	NL1Q22112N000Y0	NL1Q22122N000Y0	NL1Q22132N000Y0	NL1Q22142N000Y0
		48.0"	NL1Q12112N000Y0	NL1Q12122N000Y0	NL1Q12132N000Y0	NL1Q12142N000Y0
4 Non-Weld	96.0"	42.0"	NL1Q22111N000Y0	NL1Q22121N000Y0	NL1Q22131N000Y0	NL1Q22141N000Y0
		48.0"	NL1Q12111N000Y0	NL1Q12121N000Y0	NL1Q12131N000Y0	NL1Q12141N000Y0

NSH-450 SLIDER ASSEMBLY HUTCH STYLE - CHART #1

FRAME BRACKET DESCRIPTION	SLIDE LENGTH	FRAME WIDTH	16.0" RIDE HEIGHT	16.5" RIDE HEIGHT	17.0" RIDE HEIGHT	18.0" RIDE HEIGHT
2 Non-Weld 2 Welded Adjustable	96.0"	42.0"	NH3Q22112N000Y0	NH3Q22122N000Y0	NH3Q22132N000Y0	NH3Q22142N000Y0
		48.0"	NH3Q12112N000Y0	NH3Q12122N000Y0	NH3Q12132N000Y0	NH3Q12142N000Y0
4 Non-Weld	96.0"	42.0"	NH3Q22111N000Y0	NH3Q22121N000Y0	NH3Q22131N000Y0	NH3Q22141N000Y0
		48.0"	NH3Q12111N000Y0	NH3Q12121N000Y0	NH3Q12131N000Y0	NH3Q12141N000Y0

NST-450 SLIDER ASSEMBLY TTMA STYLE - CHART #1

FRAME BRACKET DESCRIPTION	SLIDE LENGTH	FRAME WIDTH	16.0" RIDE HEIGHT	16.5" RIDE HEIGHT	17.0" RIDE HEIGHT	18.0" RIDE HEIGHT
2 Non-Weld 2 Welded Adjustable	96.0"	42.0"	NT3Q22112N000Y0	NT3Q22122N000Y0	NT3Q22132N000Y0	NT3Q22142N000Y0
		48.0"	NT3Q12112N000Y0	NT3Q12122N000Y0	NT3Q12132N000Y0	NT3Q12142N000Y0
4 Non-Weld	96.0"	42.0"	NT3Q22111N000Y0	NT3Q22121N000Y0	NT3Q22131N000Y0	NT3Q22141N000Y0
		48.0"	NT3Q12111N000Y0	NT3Q12121N000Y0	NT3Q12131N000Y0	NT3Q12141N000Y0

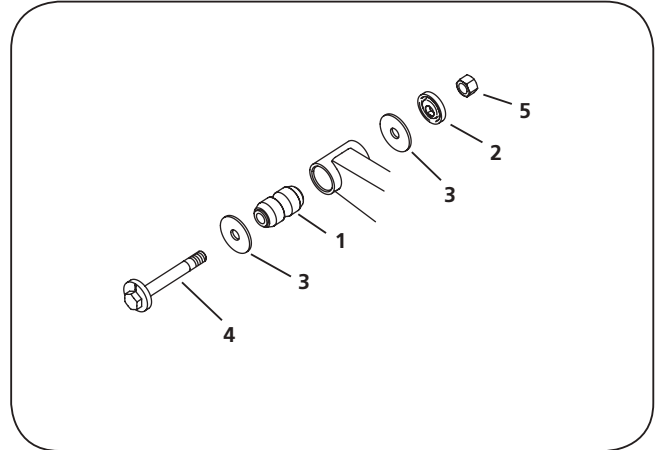
NSH-450 SLIDER ASSEMBLY UTILITY STYLE - CHART #1

FRAME BRACKET DESCRIPTION	SLIDE LENGTH	FRAME WIDTH	16.0" RIDE HEIGHT	16.5" RIDE HEIGHT	17.0" RIDE HEIGHT	18.0" RIDE HEIGHT
2 Non-Weld 2 Welded Adjustable	96.0"	42.0"	NU3Q22112N000Y0	NU3Q22122N000Y0	NU3Q22132N000Y0	NU3Q22142N000Y0
		48.0"	NU3Q12112N000Y0	NU3Q12122N000Y0	NU3Q12132N000Y0	NU3Q12142N000Y0
4 Non-Weld	96.0"	42.0"	NU3Q22111N000Y0	NU3Q22121N000Y0	NU3Q22131N000Y0	NU3Q22141N000Y0
		48.0"	NU3Q12111N000Y0	NU3Q12121N000Y0	NU3Q12131N000Y0	NU3Q12141N000Y0

Pivot Connection Kit (1 Welded and 1 EZ-Align) Part # 48100389

SRK-525

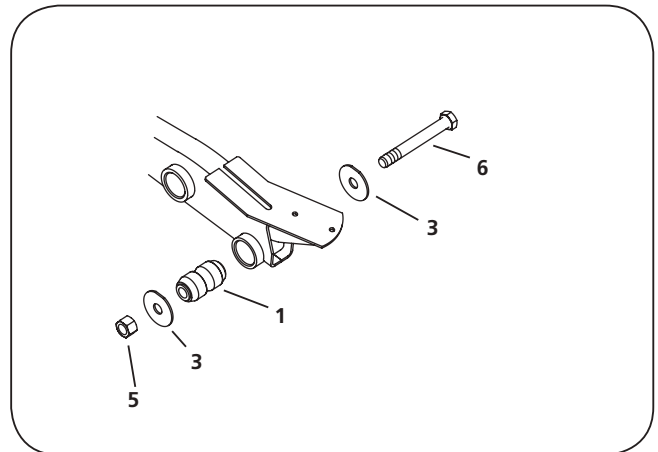
ITEM NO.	DESCRIPTION	PART NO.	QTY.	WEIGHT LBS. [KG]
1	Bushing	90008149	2	
2	Alignment Block Non-Weld	90008238	1	
3	Washer, Flat	90036177	4	
4	Alignment Block Assembly	90508019	1	
5	Nut, Hex 1.125 - 7 Gr C	93400506	2	
6	Bolt, Hex 1.125 - 7 x 8.50"	93201069	1	



Pivot Connection Kit (2 EZ-Align) Part # 48100385

SRK-521

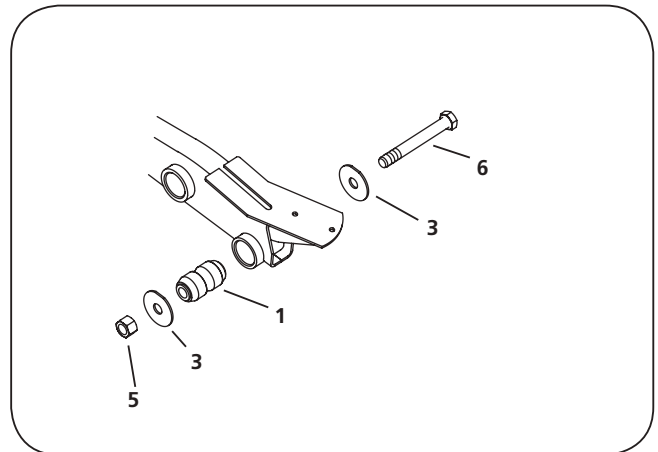
ITEM NO.	DESCRIPTION	PART NO.	QTY.	WEIGHT LBS. [KG]
1	Bushing	90008149	2	
2	Alignment Block Non-Weld	90008238	1	
3	Washer, Flat	90036177	4	
4	Alignment Block Assembly	90508019	1	
5	Nut, Hex 1.125 - 7 Gr C	93400506	2	



Axle Connection Kit Part # 48100320

SRK-457

ITEM NO.	DESCRIPTION	PART NO.	QTY.	WEIGHT LBS. [KG]
1	Bushing	90008149	4	
3	Washer	90036217	8	
5	Nut, Hex 1.125 - 7 Gr C	93400506	4	
6	Bot, Hex 1.125 - 7 x 8.50" Gr 8	93201051	4	



Frame Bracket Replacement Kits

* See **FIGURE** below for "A" dimension.

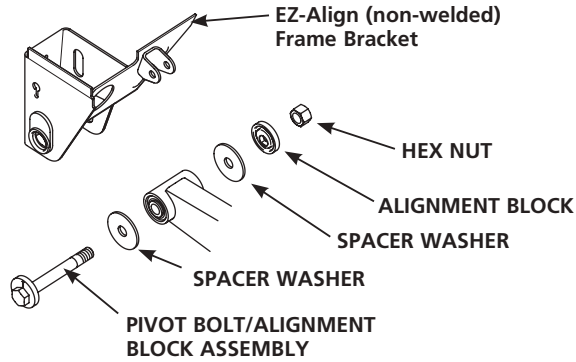
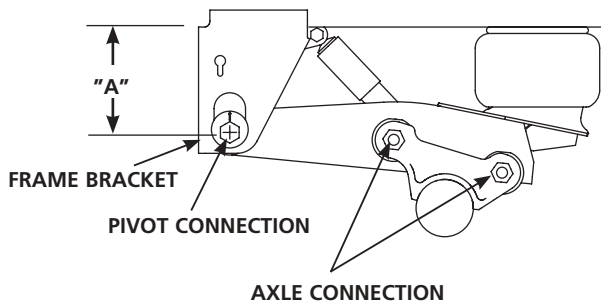


FIGURE "A" DIMENSION

Pivot and Axle Connections



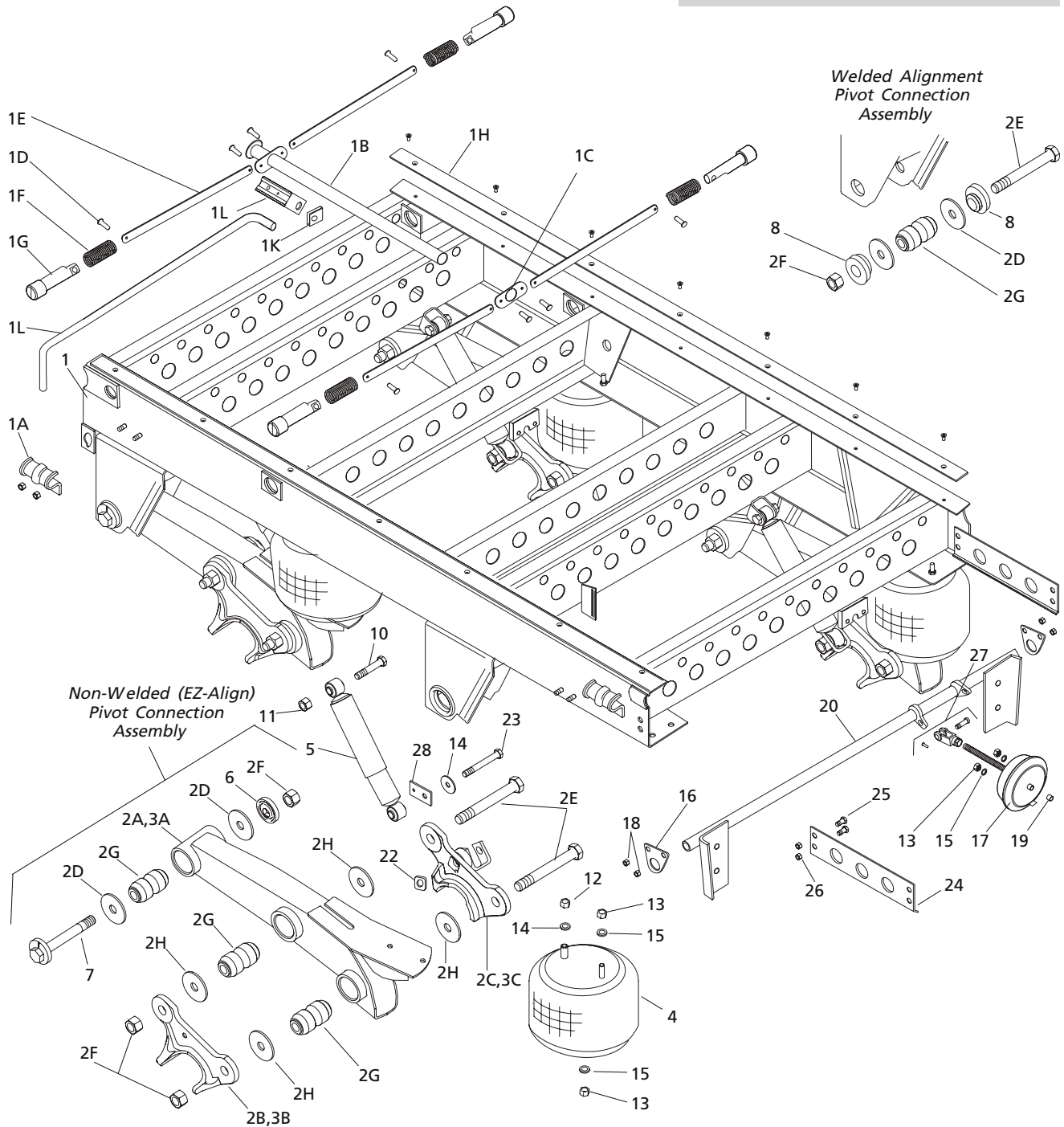
"A" DIM.*	RIDE HEIGHT	PART NUMBER	APPLICATION	WEIGHT LBS. [KG]
9.06" (230mm)	16.0" and 16.5"	11004028	Roadside	28.88 [13.10]
9.06" (230mm)	16.0" and 16.5"	11004029	Curbside	28.88 [13.10]
10.06" (256mm)	17.0" and 18.0"	11004030	Roadside	28.39 [12.88]
10.06" (256mm)	17.0" and 18.0"	11004031	Curbside	28.39 [12.88]

IMPORTANT: Welded Alignment frame brackets **MUST** be replaced with EZ-Align (non-welded) frame brackets.

NS190 Exploded View

**DISCONTINUED MODEL
SERVICE PARTS ONLY**

Please contact Customer Service for
part availability
800.876.3929



NS190 PARTS LIST				
ITEM	DESCRIPTION	PART NUMBER	QTY	WEIGHT LBS. [KG]
1	Slider Assy. w/Quik Release w/ 2NW & 2WA Frame Brackets- See Chart #1	See Chart #1	1	N/A
	Slider Assy. w/Quik Release w/ 4NW Frame Brackets- See Chart #1		1	N/A
1A	Clip, Hold Down	Contact SAF-HOLLAND	4	N/A
1B	Tube 28.5" x 1.31" x .109"		1	N/A
1C	Cam- Puller		2	N/A
1D	Rivet Pin		8	N/A
1E	Link 42.0"		4	N/A
	Link 48.0"			N/A
1F	Spring Hutch p/n H-12779		4	N/A
1G	Pin (Cast Lock)		4	N/A
1H*	Slider Pad		2	N/A
1J	Clip (Link Attachment)		1	N/A
1K	Crank		1	N/A
1L	Pull Handle	90045307	1	N/A
2A	Beam Equalizing Assembly LH	90516816	2	61.00 [27.67]
2B	Adapter,Axle-Machined	90001341	2	11.90 [5.40]
2C	Adapter Assembly,Axle-LH	90501350	2	13.53 [6.14]
2D	Washer Flat	90036177	8	0.80 [0.36]
2E	Bolt, Hex,1.12-7 X 8.75" Gr 8	93201051	10	2.80 [1.27]
2F	Nut,Hex,Lock 1.13-7 GR C	93400506	6	0.38 [0.17]
2G	Bushing	90008149	12	2.50 [1.13]
2H	Washer	90036217	16	0.53 [0.24]
3A	Equalizing Beam RH (bushed beam only)	90516817	2	60.00 [27.22]
3B	Axle Adaptor RH (outside)	90501351	2	12.90 [5.85]
3C	Axle Adaptor RH (inside)	90501351	2	12.90 [5.85]
4	Spring Air Assembly	90557223	4	10.70 [4.85]
5	Shock Absorber	90044162	4	4.85 [2.20]
6	Alignment Block Non-Weld	90008238	2	1.10 [0.50]
7	Alignment Block Assembly	90508019	2	3.98 [1.81]
8	Alignment Bushing	90008198	4	0.61 [0.27]
10	Cap Screw,Hex 0.75"-10 x 3.5" Gr 5	93003597	8	0.52 [0.24]
11	Nut,Hex,Lock .75"-10 Gr B	93400492	4	0.13 [0.06]
12	Nut Hex 0.75" -16 Gr B	93400149	4	0.12 [0.05]
13	Nut Hex 0.5" -13 Gr B	93400136	10	0.40 [0.18]
14	Washer,Lock 0.78"	93600077	8	0.04 [0.02]
15	Washer,Lock 0.53"	93600072	10	0.02 [0.01]
16	Plate Support	90034494	2	0.48 [0.22]
17	Spring Brake Service Chamber	90548040	1	4.32 [1.96]
18	Nut,Hex,Lock .375" -16 Gr B	93400472	4	N/A
19	Choke	90054811	4	N/A

NS Series

* Please contact SAF-HOLLAND Customer Service (1.800.876.3929) for Part Information

NS190 PARTS LIST CONTINUED				
ITEM	DESCRIPTION	PART NUMBER	QTY	WEIGHT LBS. [KG]
20	Rod Assembly,Main 42.0" 16.0 Ride Height	90547940	4	21.80 [9.89]
	Rod Assembly,Main 48.0" 16.0 Ride Height	90547941	4	20.00 [9.07]
	Rod Assembly,Main 42.0" 16.5 Ride Height	90547945	4	21.00 [9.52]
	Rod Assembly,Main 48.0" 16.5 Ride Height	90547944	4	22.60 [10.25]
	Rod Assembly,Main 42.0" 17.0 Ride Height	90547936	4	21.20 [9.62]
	Rod Assembly,Main 48.0" 17.0 Ride Height	90547932	4	22.80 [10.34]
	Rod Assembly,Main 42.0" 18.0 Ride Height	90547938	4	22.30 [10.12]
	Rod Assembly,Main 48.0" 18.0 Ride Height	90547934	4	24.00 [10.89]
22	Nut Square 0.75-10 Gr 2	93400367	4	0.14 [0.06]
23	Cap Screw,Hex 0.75-10X5 Gr 5	93003633	4	0.72 [0.33]
27	Clevis Assembly 0.5 Pin	9999048	1	0.33 [0.15]
28	Tab, Hcv	90054814	1	0.20 [0.10]

NSH-190 SLIDER ASSEMBLY HUTCH STYLE - CHART #1

FRAME BRACKET DESCRIPTION	SLIDE LENGTH	FRAME WIDTH	16.0" RIDE HGT NSH-190	REPLACED BY *NSH-400 SLIDER	16.5" RIDE HGT NSH-190	REPLACED BY *NSH-400 SLIDER	17.0" RIDE HGT NSH-190	REPLACED BY *NSH-400 SLIDER	18.0" RIDE HGT NSH-190	REPLACED BY *NSH-400 SLIDER
2 Non-Weld 2 Welded Adjustable	84.0"	42.0"	90546161	NH1Q22111N000Y0	90546164	NH1Q22121N000Y0	90546164	NH1Q22121N000Y0	90546164	NH1Q22141N000Y0
		48.0"	90546155	NH1Q12111N000Y0	90546158	NH1Q12121N000Y0	90546158	NH1Q12121N000Y0	90546158	NH1Q12141N000Y0
	96.0"	42.0"	—	NH1Q22111N000Y0	—	NH1Q22121N000Y0	—	NH1Q22121N000Y0	—	NH1Q22141N000Y0
		48.0"	—	NH1Q12111N000Y0	—	NH1Q12121N000Y0	—	NH1Q12121N000Y0	—	NH1Q12141N000Y0
	100.0"	42.0"	90546211	NH1Q22111N000Y0	90546214	NH1Q22121N000Y0	90546214	NH1Q22121N000Y0	90546214	NH1Q22141N000Y0
		48.0"	90546205	NH1Q12111N000Y0	90546208	NH1Q12121N000Y0	90546208	NH1Q12121N000Y0	90546208	NH1Q12141N000Y0
4 Non-Weld	84.0"	42.0"	90546163	NH1Q12111N000Y0	90546166	NH1Q22121N000Y0	90546166	NH1Q22121N000Y0	90546166	NH1Q22141N000Y0
		48.0"	90546157	NH1Q12111N000Y0	90546160	NH1Q12121N000Y0	90546160	NH1Q12121N000Y0	90546160	NH1Q12141N000Y0
	96.0"	42.0"	—	NH1Q22111N000Y0	—	NH1Q22121N000Y0	—	NH1Q22121N000Y0	—	NH1Q22141N000Y0
		48.0"	—	NH1Q12111N000Y0	—	NH1Q12121N000Y0	—	NH1Q12121N000Y0	—	NH1Q12141N000Y0
	100.0"	42.0"	90546213	NH1Q22111N000Y0	90546216	NH1Q22121N000Y0	90546216	NH1Q22121N000Y0	90546216	NH1Q22141N000Y0
		48.0"	90546207	NH1Q12111N000Y0	90546210	NH1Q12121N000Y0	90546210	NH1Q12121N000Y0	90546210	NH1Q12141N000Y0

NSB-190 SLIDER ASSEMBLY BINKLEY STYLE - CHART #1

FRAME BRACKET DESCRIPTION	SLIDE LENGTH	FRAME WIDTH	16.0" RIDE HGT NSB-190	REPLACED BY *NSB-400 SLIDER	16.5" RIDE HGT NSB-190	REPLACED BY *NSB-400 SLIDER	17.0" RIDE HGT NSB-190	REPLACED BY *NSB-400 SLIDER	18.0" RIDE HGT NSB-190	REPLACED BY *NSB-400 SLIDER
2 Non-Weld 2 Welded Adjustable	84.0"	42.0"	90546161	NL1Q22111N000Y0	90546164	NL1Q22121N000Y0	90546164	NL1Q22121N000Y0	90546164	NL1Q22141N000Y0
		48.0"	90546155	NL1Q12111N000Y0	90546158	NH1Q12121N000Y0	90546158	NH1Q12121N000Y0	90546158	NH1Q12141N000Y0
	96.0"	42.0"	—	NL1Q22111N000Y0	—	NL1Q22121N000Y0	—	NL1Q22121N000Y0	—	NL1Q22141N000Y0
		48.0"	—	NL1Q12111N000Y0	—	NH1Q12121N000Y0	—	NH1Q12121N000Y0	—	NH1Q12141N000Y0
	100.0"	42.0"	90546211	NL1Q22111N000Y0	90546214	NL1Q22121N000Y0	90546214	NL1Q22121N000Y0	90546214	NL1Q22141N000Y0
		48.0"	90546205	NL1Q12111N000Y0	90546208	NH1Q12121N000Y0	90546208	NH1Q12121N000Y0	90546208	NH1Q12141N000Y0
4 Non-Weld	84.0"	42.0"	90546163	NL1Q22111N000Y0	90546166	NL1Q22121N000Y0	90546166	NL1Q22121N000Y0	90546166	NL1Q22141N000Y0
		48.0"	90546157	NL1Q12111N000Y0	90546160	NH1Q12121N000Y0	90546160	NH1Q12121N000Y0	90546160	NH1Q12141N000Y0
	96.0"	42.0"	—	NL1Q22111N000Y0	—	NL1Q22121N000Y0	—	NL1Q22121N000Y0	—	NL1Q22141N000Y0
		48.0"	—	NL1Q12111N000Y0	—	NH1Q12121N000Y0	—	NH1Q12121N000Y0	—	NH1Q12141N000Y0
	100.0"	42.0"	90546213	NL1Q22111N000Y0	90546216	NL1Q22121N000Y0	90546216	NL1Q22121N000Y0	90546216	NL1Q22141N000Y0
		48.0"	90546207	NL1Q12111N000Y0	90546210	NH1Q12121N000Y0	90546210	NH1Q12121N000Y0	90546210	NH1Q12141N000Y0

* All NS190 Slider assemblies are replaced by NS400 Slider 96.0" in length that are with (4) Non-Weld brackets.

Air Control Parts

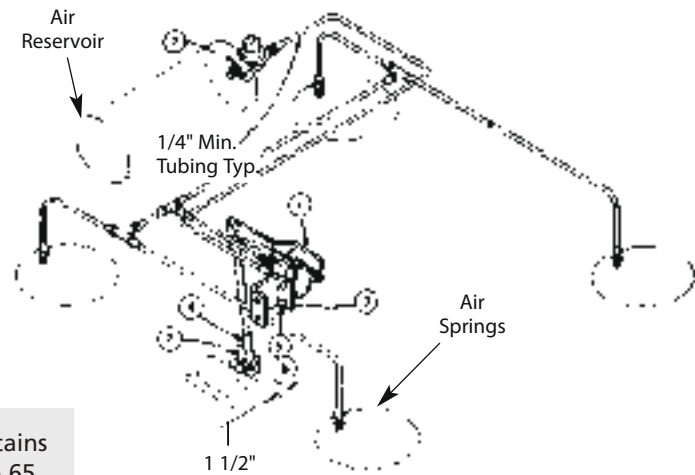
Air Control Piping for AC-6100 & AC6100-1

Parts List AC-6100 - 42110042
Parts List AC-6100-1 - 42110051

NOTE: If your suspension is equipped with External Dock Lock and Automatic Reset Feature refer to NS Series Maintenance Manual for detailed air control piping information.

ITEM	DESCRIPTION	QTY
1	Height Control Valve	1
2	Air Pressure Protection Valve & Filter	1
3	Mounting Bracket	1
4	SRK-168 Kit (Adj. Link Assembly)	1
5	Cap Screw .25" - 20 x.75"	2
6	Lock Nut .25" - 20	2
7	Axle Bracket	1
8	Decal (Operating)	1
9	Height Control Valve Instructions	1

Figure 9. Air Control Piping



IMPORTANT: Air pressure protection valve and filter maintains safe air brake pressure and cleans air. Set to 65 P.S.I. at factory. (Locate valve on air reservoir).

Service Repair Kits (SRK's)

SRK#	DESCRIPTION	PART NUMBER	QTY PER AXLE	WEIGHT LBS. [KG]
SRK-203	Both sides welded	48100264	1	15.00 [6.80]
SRK-266	1 side welded/ 1 side EZ Align	48100329	1	18.00 [8.16]
SRK-521	Both sides EZ Align	48100385	1	9.70 [4.40]

SRK#	DESCRIPTION	PART NUMBER	QTY PER AXLE	WEIGHT LBS. [KG]
SRK-457	Axle Connection	48100320	1	27.00 [12.25]

Figure 10. Pivot and Axle Connections

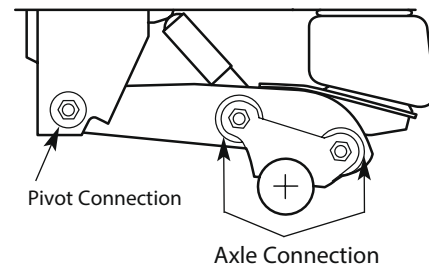
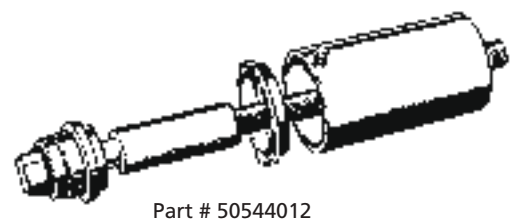


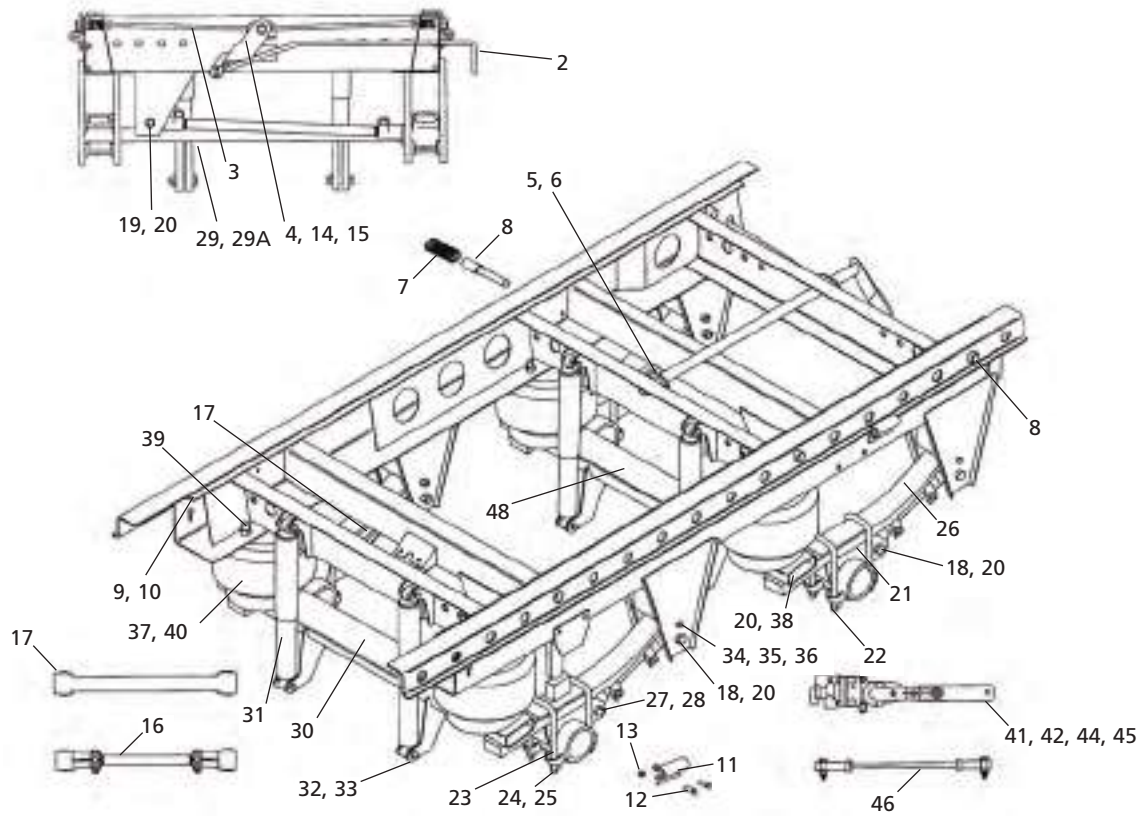
Figure 11. Bushing Service Tool



THIS PAGE INTENTIONALLY LEFT BLANK

**DISCONTINUED MODEL
SERVICE PARTS ONLY**

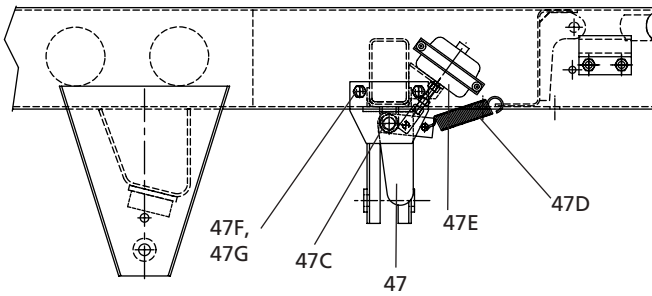
Please contact Customer Service
for part availability
800.876.3929



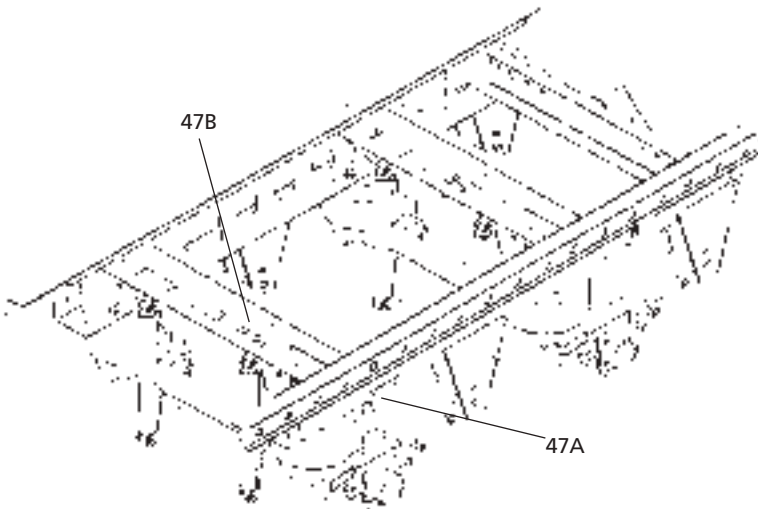
AIRLITE 2 PARTS LIST				
ITEM	DESCRIPTION	PART NUMBER	QTY	WEIGHT LBS. [KG]
2	Arm Pull - 42" Frame Width	SL0A1122-42	1	3.43 [1.56]
	Arm Pull - 48" Frame Width	SL0A1122-48	1	3.43 [1.56]
3	Arm Linkage - 42" Frame Width	SL0A1058-02	4	1.27 [0.58]
	Arm Linkage - 48" Frame Width	SL0A1058-01	4	1.27 [0.58]
4	Quik Release Replacement Kit	SL0019-01	1	N/A
5	Spacer 1.66" Tube .75"	SL0523-01	1	0.14 [0.06]
6	Cam, Torsion - New Style (Service Only)	SL0994	1	0.42 [0.19]
7	Spring, Compression	XB-SPG-020-33	4	0.56 [0.25]
8	Pin, Step Lock 1.38" x 6.38"	SL0A1238	4	1.92 [0.87]
9	Screw .32" - 18 x.75" Flat HD Torx Taptie 2	XB-ST5-008-16	16	0.02 [0.01]
10	Block, Slide	XB-SL0A1054	2	1.58 [0.72]
11	Hold Down Clip	90015150	4	2.30 [1.04]
12	Cap Screw, Hex HD.50" - 13 x 1.75" GR5 ZC	XB-HHC-001-33	8	0.11 [0.05]
13	Nut, Hex Prev Torque .50" - 13 GR-B Plain	XB-SLN-012-42	8	0.03 [0.01]
14	Pin, Cotter .19" Dia. x 1.50" LG	XB-CTP-014-59	1	0.10 [0.05]
15	Washer, Flat .63" STD	XB-PW-016-08	1	0.30 [0.14]
16	Cross Arm Adjustable Assembly 14.38	SP0202-01	2	10.54 [4.78]
17	Assembly Fixed Torque Arm	SP0224	2	7.73 [3.50]
18	Screw, Hex Cap GR5 .88" - 14 x 5.50" CL 2A PL	XB-SP0050-72	8	1.12 [0.51]
19	Screw, Hex Cap GR5 .88" - 14 x 4.81" CL 2A PLN	XB-SP0050-75	4	1.02 [0.46]
20	Nut, Prev Torque .88" - 14 GR-F CL 2B PHS & OL	XB-SP0012-36	16	0.22 [0.10]
21	Riser, Spring Seat, W/A	See Chart #1	1	See Chart #1
22	Plate, Bottom - Painted	SP0099/ SP0192	4	3.76 [1.71]
23	U-Bolt Flat Top	See Chart #1	8	See Chart #1
24	Nut, Hex.75" - 16 GR8 CL 2B SAF1995 PHS & OL	XB-SP0011-44	16	0.11 [0.05]

AIRLITE 2 PARTS LIST				
ITEM	DESCRIPTION	PART NUMBER	QTY	WEIGHT LBS. [KG]
25	Washer, Flat .75"	XB-SP0016-67	16	0.06 [0.02]
26	Spring Beam	XB-SP0205-01	4	35.17 [15.95]
27	Spring Liner, Upper	XB-SP0203	4	0.49 [0.22]
28	Spring Liner, Lower	XB-SP0204	4	0.26 [0.12]
29	Assembly Cross Arm - 42" Frame Width	SP0202-09	2	13.76 [6.24]
	Assembly Cross Arm - 48" Frame Width	SP0202-10	2	15.04 [6.82]
29A	Link, Center 25.44"	SP0206-02	1	5.41 [2.45]
	Link, Center 31.44"	SP0206-03	1	6.69 [3.03]
30	Beam, Lower Front	See Chart #1	1	N/A
31	Shock Absorber (Trailer Application)	90044025	4	6.76 [3.06]
32	Screw, Hex Cap GR5 .75" - 10 x 3.25" CL 2A Pln	XB-SP0050-99	8	0.58 [0.26]
33	Nut, Prev Hex .75-10 GR-B Plain and Waxed	XB-SP0012-49	8	0.12 [0.05]
34	Screw, Hex Cap GR5 .63"-11 x 5.25" CL 2A Pln	XB-SP0050-101	4	0.56 [0.25]
35	Spacer, Sleeve	SP0221	4	0.54 [0.24]
36	Nut, Prev Torque .63"-11 GR-B Pln&Wax	XB-SP0012-10	4	0.07 [0.03]
37	Spring, Air	90557223	4	10.70 [4.85]
38	Screw, Hex Cap GR5 .63"-11 x 4.69" Pln	XB-SP0050-100	4	0.61 [0.28]
39	Nut, Prev Torq Hex.75"-16 GR-B Pln/ Waxed	XB-SP0012-51	4	0.04 [0.01]
	Nut, Prev Torq Hex.50"-13 GR-B Pln/ Waxed	XB-SP0012-52	8	0.04 [0.02]
41	Auto Dump 500 HCV w/7.25 Lever	XB-SPN-053-54	1	N/A
	Hadley Manual 500 HCV w/7.25 Lever	XB-SPN-053-58	1	N/A
42	Valve, Pressure Protection	90554107	1	0.50 [0.22]
44	Screw, Hex Hd Cap .25"-20 x 2.50" GR5	XB-HHC-050-109	2	0.06 [0.03]
45	Nut, Hex Lock .25"-20 All Metal 1 Piece B	XB-SLN-012-60	2	0.06 [0.03]
46	Hadley 10.50" Fixed Linkage Hpb450-42	XB-SLN-053-62	1	N/A
48	W/A Lower Beam, Front 42" Frame Width	SP0277-42	1	52.10 [23.63]
	W/A Lower Beam, Front 48" Frame Width	SP0277-48	1	56.10 [25.45]
	W/A Lower Beam, Front w/ Air Level 42" Frame Width	SP0284-42	1	51.73 [23.46]
	W/A Lower Beam, Front w/ Air Level 48" Frame Width	SP0284-48	1	55.77 [25.30]

AirLite2 Parts Explosion/Parts List

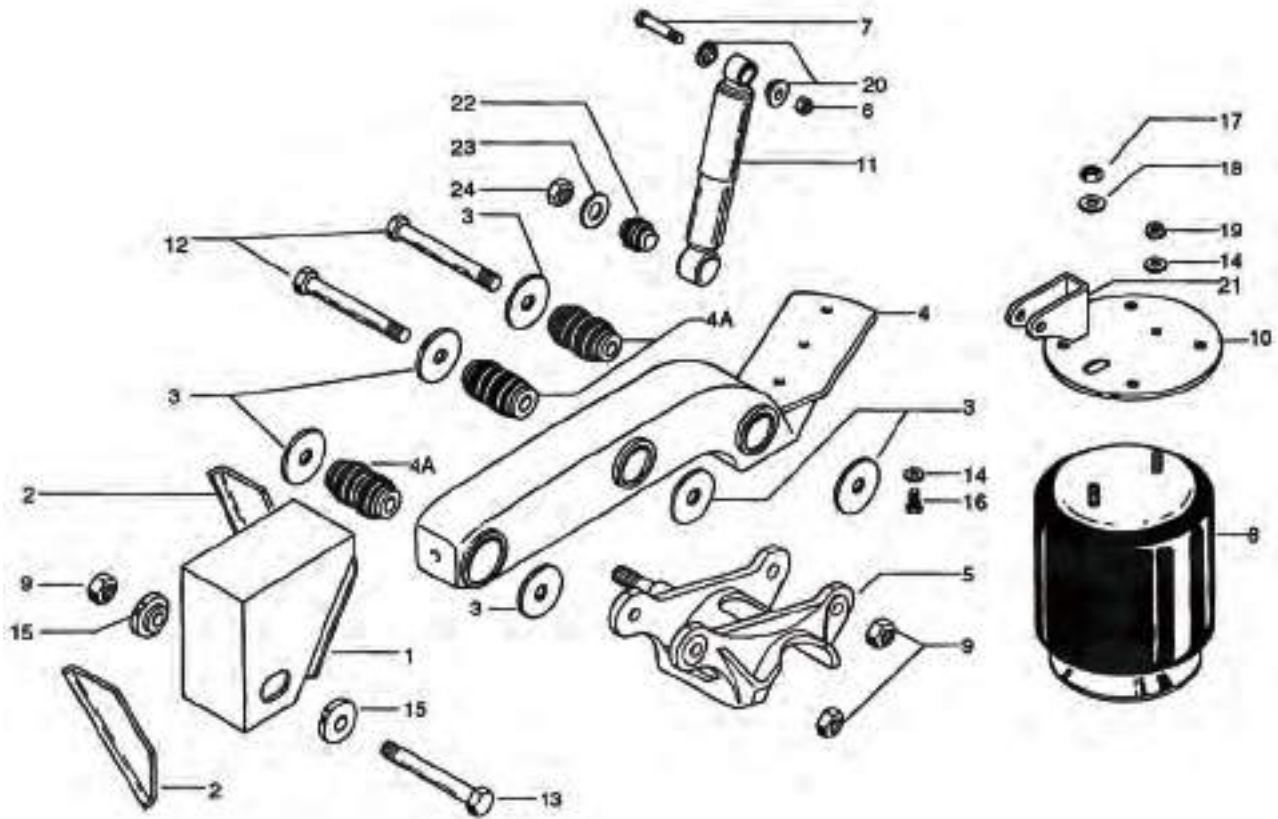


AIRLITE 2 OPTIONAL AIR LEVEL				
ITEM	DESCRIPTION	PART NUMBER	QTY	WEIGHT LBS. [KG]
47	Cam Weld Assembly - 42" Frame Width	SL0A1134-42	1	13.94 [6.32]
	Cam Weld Assembly - 48" Frame Width	SL0A1134-48	1	14.98 [6.80]
47A	Assembly, Cam Bracket	SL0A1124	2	2.93 [1.33]
47B	Bracket Mounting Air Chamber	SL0A1129	1	1.09 [0.50]
47C	Support Shaft	SL0A1123	1	0.26 [0.12]
47D	Spring Extension	XB-SPG-020-34	1	0.30 [0.14]
47E	Service Chamber	SL0969	1	5.00 [2.27]
47F	Cap Screw, Hex HD.50" - 13 x 1.75" GR5 ZC	XB-HHC-001-33	4	0.11 [0.05]
47G	Nut, Hex Prev Torque. 50" - 13 GR-B Plain	XB-SLN-012-42	4	0.03 [0.01]



AIRLITE 2 CHART #1		RIDE HEIGHT/ SEAT HEIGHT				APPROX. WEIGHT LBS. [KG]
ITEM	DESCRIPTION	16.0" / .75"	16.5" / 1.25"	17.0" / 1.75"	18.0" / 2.25"	
21	W/A Spring Seat Riser	SP0142-01	SP0142-02	SP0142-03	SP0149-04	7.40 [3.36]
23	Flat Top U-Bolts	XB-SP0074-H	XB-SP0074-J	XB-SP0074-K	XB-SP0074-L	2.44 [1.11]

THIS PAGE INTENTIONALLY LEFT BLANK

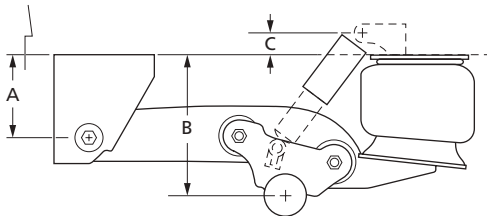


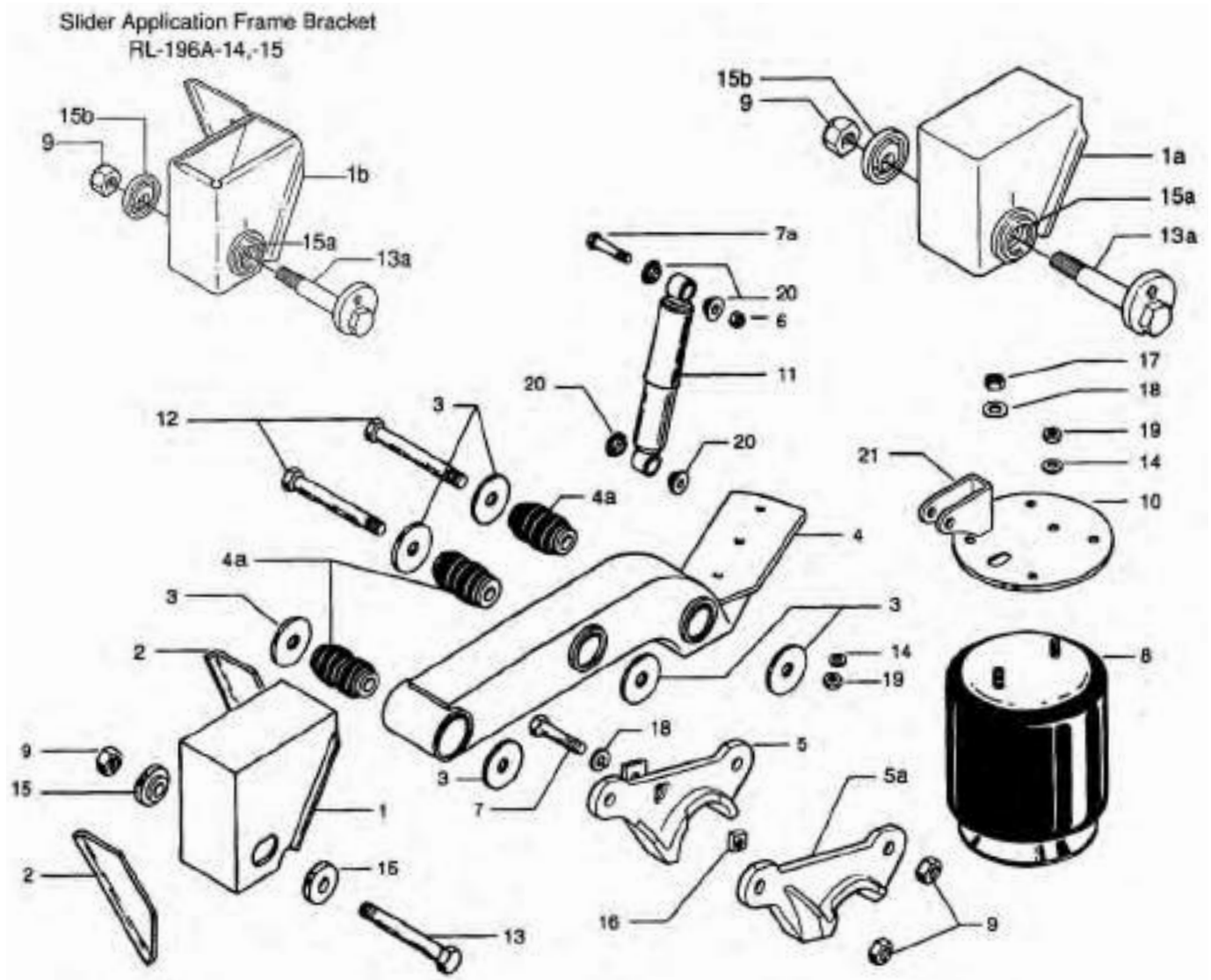
**DISCONTINUED MODEL
SERVICE PARTS ONLY**

Please contact Customer Service for part availability
800.876.3929

ITEM	DESCRIPTION	PART NUMBER	QTY REQD	RIDE HEIGHT	WEIGHT LBS. [KG]
1	Adjustable Frame Bracket	90520367	2	12	N/A
	Adjustable Frame Bracket	90520363	2	14	21.00 [9.53]
	Adjustable Frame Bracket	90520338	2	15	24.00 [10.89]
	Adjustable Frame Bracket	90520340	2	16,17	14.00 [6.35]
2	Angle Brace	90023002	4	12,14,15	2.20 [1.00]
	Angle Brace	90023001	4	16,17	3.84 [1.74]
3	Spacer Washer	90036177	12	All	0.80 [0.36]
4	Equalizing Beam LH (Includes Item #4a)	90516542	1	All	63.00 [28.58]
	Equalizing Beam RH (Includes Item #4a)	90516543	1	All	63.00 [28.58]
4a	Rubber Bushing	90008149	6	All	2.50 [1.13]
5	Axle Adapter LH	48100291	1	All	37.00 [16.78]
	Axle Adapter RH	48100292	1	All	37.00 [16.78]
6	Lock Nut .75-10	93400492	2	All	0.13 [0.06]
7	Cap Screw .75-10 x 3.50"	93003597	2	All	0.52 [0.24]
8	Air Spring Assembly	90557127	2	12	11.00 [4.99]
	Air Spring Assembly	90557120	2	14	12.70 [5.76]
	Air Spring Assembly	90557121	2	15,16	29.20 [13.24]
	Air Spring Assembly	90557139	2	17	34.00 [15.42]
9	Nut, Hex Lock 1.13" - 7 GR-C	93400506	6	All	0.38 [0.17]
10	Air Spring Mounting Plate	90033785	2	All	4.10 [1.86]
11	Shock Absorber (Includes Lower Shock Bushing)	90044977	2	12	5.12 [2.32]
	Shock Absorber (Includes Lower Shock Bushing)	90044978	2	14,15	5.12 [2.32]
	Shock Absorber (Includes Lower Shock Bushing)	90044979	2	16,17	5.12 [2.32]
12	Bolt, Hex, 1.12-7 X 8.75" Gr 8	93201051	4	All	2.80 [1.27]
13	Cap Screw 1.13 - 7 x 9.25"	93201055	2	All	2.92 [1.32]
14	Lock Washer .50"	93600072	4	All	0.02 [0.01]
15	Alignment Bushing	90008147	4	All	1.50 [0.68]
16	Upper Shock Bracket	90018445	2	All	2.63 [1.19]
17	Hex Nut .75 - 16	93400149	2	All	0.12 [0.05]
18	Lock Washer .75"	93600077	2	All	0.04 [0.02]
19	Hex Nut .50 - 13	93400136	4	All	0.40 [0.18]
20	Replacement Shock Bushing	90508004	4	All	0.20 [0.10]
21	Flat Washer 1"	93600168	2	All	0.08 [0.04]
22	Lock Nut 1 - 8	93400500	2	All	0.30 [0.13]
SERVICE REPAIR KITS					
	SRK-149 - Axle Connection (5" Round, 20" Wheel)	48100206	1	All	32.28 [14.64]
	SRK-203 - Pivot Connection	48100264	1	All	15.00 [6.80]

MODEL	A DIMENSION	B DIMENSION	C DIMENSION
RL-196-12	5.25	12	2.25
RL-196-14	7.25	14	2.25
RL-196-15	8.50	15	2.25
RL-196-16	10.44	16	2.25
RL-196-17	10.44	17	2.25





**DISCONTINUED MODEL
SERVICE PARTS ONLY**

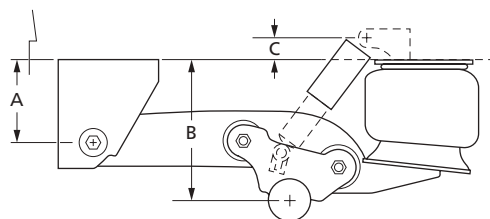
Please contact Customer Service for part availability
800.876.3929

ITEM	DESCRIPTION	PART NUMBER	QTY REQD	RIDE HEIGHT	WEIGHT LBS. [KG]
1	Adjustable Frame Bracket	90520846	2*	12	9.00 [4.08]
	Adjustable Frame Bracket	90520568	2*	14	20.72 [9.40]
	Adjustable Frame Bracket	90520561	2*	15	23.00 [10.43]
	Adjustable Frame Bracket	90520843	2*	16,17	27.00 [12.25]
1a	Non-Weld (EZ-ALIGN) Frame Bracket LH (Includes 15a)	90520859	1	12	46.00 [20.87]
	Non-Weld (EZ-ALIGN) Frame Bracket LH (Includes 15a)	90520858	1	14	22.66 [10.28]
	Non-Weld (EZ-ALIGN) Frame Bracket LH (Includes 15a)	90520856	1	15	24.69 [11.20]
	Non-Weld (EZ-ALIGN) Frame Bracket LH (Includes 15a)	90520857	1	16,17	30.00 [13.61]
1b**	Adjustable Frame Bracket RH	90520468	1	14 (Slider)	19.00 [8.62]
	Non-Weld (EZ-ALIGN) Frame Bracket LH (Includes 15a)	90520465	1	14 (Slider)	22.00 [9.98]
	Adjustable Frame Bracket RH	90520464	1	15" (Slider)	19.00 [8.62]
	Non-Weld (EZ-ALIGN) Frame Bracket LH (Includes 15a)	90520473	1	15" (Slider)	22.00 [9.90]
2	Angle Brace	90025257	4	12	N/A
	Angle Brace	90023002	4	14,15	2.20 [1.00]
	Angle Brace	90023001	4	16,17	3.84 [1.74]
3	Spacer Washer	90036177	12	All	0.80 [0.36]
4	Equalizing Beam LH (Includes Item #4a)	90516542	1	All	63.00 [28.58]
	Equalizing Beam RH (Includes Item #4a)	90516543	1	All	63.00 [28.58]
4a	Rubber Bushing	90008149	6	All	2.50 [1.13]
5	Axle Adapter LH (inside)	90501261	1	All	12.77 [5.79]
	Axle Adapter RH (inside)	90501262	1	All	12.92 [5.86]
5a	Axle Adapter LH (outside)	90001341	1	All	11.90 [5.40]
	Axle Adapter RH (outside)	90001340	1	All	11.75 [5.33]
6	Lock Nut .75-10	93400492	2	All	0.13 [0.06]
7	Cap Screw .75 - 10 x 4" Gr5 (lower shock bracket)	93003609	2	All	0.58 [0.26]
7a	Cap Screw .75 - 10 x 3.50" Gr5 (upper shock bracket)	93003597	2	All	0.52 [0.24]
8	Air Spring Assembly	90557173	2	12	11.00 [4.99]
	Air Spring Assembly	90557120	2	14	12.70 [5.76]
	Air Spring Assembly	90557121	2	15,16	29.20 [13.24]
	Air Spring Assembly	90557139	2	17	34.00 [15.42]
9	Nut, Hex Lock 1.13" - 7 GR-C	93400506	6	All	0.38 [0.17]
10	Air Spring Mounting Plate	90033785	2	All	4.10 [1.86]
11	Shock Absorber	90044162	2	12	4.85 [2.20]
	Shock Absorber	90045040	2	14,15	5.19 [2.35]
	Shock Absorber	90044794	2	16,17	5.58 [2.53]
12	Bolt, Hex, 1.12-7 X 8.75" Gr 8	93201051	4	All	2.80 [1.27]
13	Cap Screw 1.13 - 7 x 9.25" Gr8	93201055	2*	All	2.92 [1.32]
13a	Cap Screw 1.13 - 7 x 9.25" (Non-Weld Application)	90508019	1	All	4.00 [1.81]
14	Lock Washer .50"	93600072	4	All	0.02 [0.01]
15	Alignment Bushing	90008147	4*	All	1.50 [0.68]
15a	Alignment Bushing (Non-Weld Application)	90008185	2	All	0.59 [0.27]
15b	Alignment Bushing (Non-Weld Application)	90008186	1	All	1.01 [0.46]
16	Square Nut .75 - 10	93400367	2	All	0.14 [0.06]
17	Hex Nut .75 - 16	93400149	2	All	0.12 [0.05]
18	Lock Washer .75"	93600077	4	All	0.04 [0.02]
19	Hex Nut .50 - 13	93400136	4	All	0.40 [0.18]
20	Replacement Shock Bushing	90508004	8	All	0.20 [0.10]
21	Upper Shock Bracket	90018445	2	All	2.63 [1.19]
SERVICE REPAIR KITS					
	SRK-149 - Axle Connection (5" Round, 20" Wheel)	48100206	1	All	32.28 [14.64]
	SRK-203 - Pivot Connection	48100264	1	All	15.00 [6.80]
	SRK-521 - Pivot Connection, Non-Weld	48100385	1	All	9.70 [4.40]

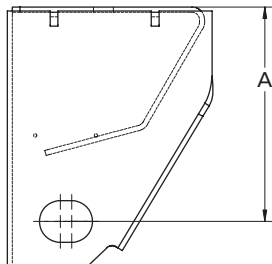
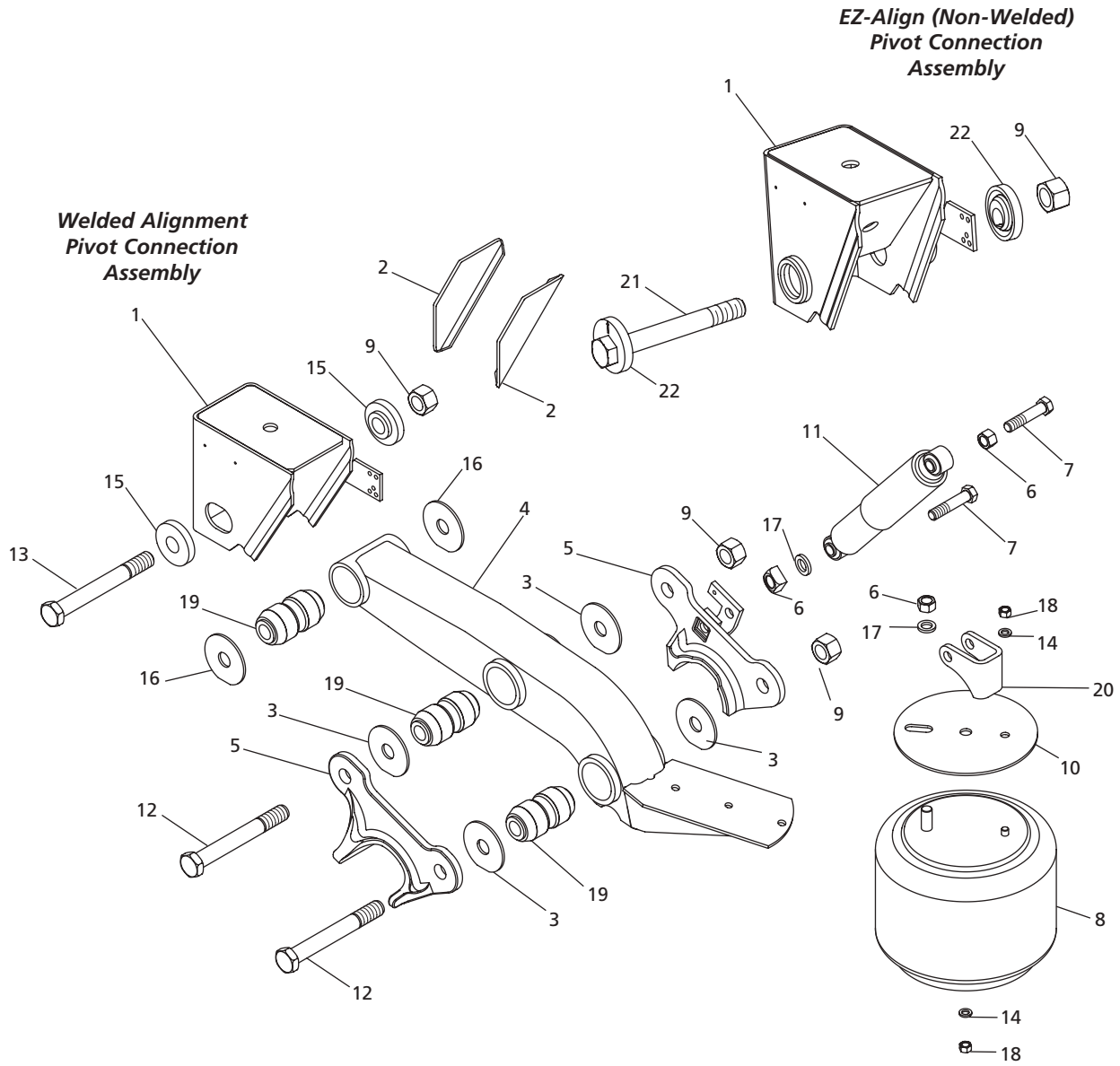
* For Non-Weld (EZ-ALIGN) application reduce quantity used per axle by half

** For 16" and 17" ride height applications, use the standard Frame Brackets listed (Adjustable and/or Non-Weld alignments).

MODEL	A DIMENSION	B DIMENSION	C DIMENSION
RL-196A-12	5.25	12	2.25
RL-196A-14	7.25	14	2.25
RL-196A-15	8.25	15	2.25
RL-196A-16	10.63	16	2.25
RL-196A-17	10.63	17	2.25

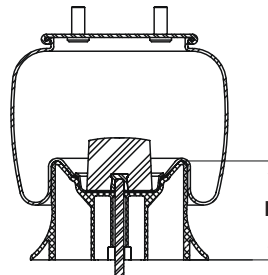


RL228 Standard Suspension Exploded View



Frame Bracket

"A" DIM	PART NUMBER	WEIGHT LBS. [KG]
5.06"	90520846	9.00 [4.08]
7.06"	90521147	21.20 [9.62]
8.06"	90521148	23.60 [10.70]
10.44"	90521149	28.60 [12.97]



Air Spring

"B" DIM	PART NUMBER	WEIGHT LBS. [KG]
2.83"	90557223	10.70 [4.85]
4.75"	90557156	13.00 [5.90]
5.70"	90557157	14.00 [6.35]

ITEM	DESCRIPTION	NON-LIFTABLE RL-228-12-3	NON-LIFTABLE RL-228-14-3	LIFTABLE RL-228-14-4	LIFTABLE RL-228-15-3	LIFTABLE RL-228-16-3	LIFTABLE RL-228-17-3	QTY.	APPROX. WEIGHT LBS. [KG]
1	Frame Bracket (roadside - EZ-Align)	-	90521147	90521147	90521148	90521149	90521149	1	23.60 [10.70]
	Frame Bracket (roadside - Welded Alignment)	90520846	90521141*	90521141*	90521142*	90521143*	90521143*	1	22.50 [10.21]
	Frame Bracket (curbside - EZ-Align)	-	90521147	90521147	90521148	90521149	90521149	1	23.60 [10.70]
	Frame Bracket (curbside - Welded Alignment)	90520846	90521141*	90521141*	90521142*	90521143*	90521143*	1	22.50 [10.21]
2	Angle Brace	90025257	90025257	90025157	90023002	90023002	90023002	4	1.64 [0.74]
3‡	Washer	90036217	90036217	90036217	90036217	90036217	90036217	8	0.53 [0.24]
4	Equalizing Beam (roadside)	90516566	90516566	90516654	90516566	90516566	90516566	1	60.50 [27.44]
	Equalizing Beam (curbside)	90516567	90516567	90516655	90516567	90516567	90516567	1	60.50 [27.44]
5	Axle Adapter (roadside - outboard)	90001341	90001341	90001341	90001341	90001341	90001341	1	11.90 [5.40]
	Axle Adapter (roadside - inboard)	90501462	90501462	90501462	90501462	90501462	90501462	1	13.50 [6.12]
	Axle Adapter (curbside - outboard)	90001340	90001340	90001340	90001340	90001340	90001340	1	11.75 [5.33]
6	.75"-10 Hex Nut (top of air spring)	93400149	93400149	93400149	93400149	93400149	93400149	2	0.12 [0.05]
	.75"-10 Hex Nut (upper shock lock nut)	93400492	93400492	93400492	93400492	93400492	93400492	2	0.13 [0.06]
	.75"-10 Square Nut (for lower shock bolt)	93400367	93400367	93400367	93400367	93400367	93400367	2	0.14 [0.06]
7	.75"-10x3.50" Bolt (for upper shock bolt)	93003597	93003597	93003597	93003597	93003597	93003597	2	0.52 [0.24]
	.75"-10x4" Bolt (for lower shock bolt)	93003609	93003609	93003609	93003609	93003609	93003609	2	0.58 [0.26]
8	Air Spring	90557223	90557156	90557156	90557156	90557156	90557157	2	10.70 [4.85]
9	Nut, Hex Lock 1.13" - 7 GR-C	93400506	93400506	93400506	93400506	93400506	93400506	6	0.38 [0.17]
10	Air Spring Mtg Plate (ASMP)	90033785	90033785	90033785	90033785	90033785	90033785	2	4.10 [1.86]
	Upper ASMP & shk Brkt (roadside) SS	-	-	-	90531245	90531245	90531245	1	18.50 [8.39]
	Upper ASMP & shk Brkt (curbside) SS	-	-	-	90531246	90531246	90531246	1	18.50 [8.39]
11	Shock Absorber	90044162	90044642	90044642	90044642	90044642	90044089	2	4.85 [2.20]
12	Bolt, Hex, 1.12-7 X 8.75" Gr 8	93201051	93201051	93201051	93201051	93201051	93201051	4	2.80 [1.27]
13	1.13" Pivot Bolt (Welded Alignment)	93201055	93201069	93201069	93201069	93201069	93201069	-	2.92 [1.32]
14	.50" Washer	93600072	93600072	93600072	93600072	93600072	93600072	4	0.02 [0.01]
15	Alignment Block (Welded Alignment)	90008147	90008198	90008198	90008198	90008198	90008198	-	1.50 [0.68]
16	Washer, 1.14" dia.	90036177	90036177	90036177	90036177	90036177	90036177	4	0.80 [0.36]
17	.75" Washer	93600077	93600077	93600077	93600077	93600077	93600077	4	0.04 [0.02]
18	.50"-13 Nut	93400136	93400136	93400136	93400136	93400136	93400136	4	0.40 [0.18]
19**	Pivot and Axle Bushing	90008149	90008149	90008149	90008149	90008149	90008149	6	2.50 [1.13]
20	Upper Shock Bracket	90018515	90018515	90018515	90018515	90018515	90018515	2	2.10 [0.95]
21	1.13" Pivot Bolt (EZ-Align)	-	90508019	90508019	90508019	90508019	90508019	-	3.98 [1.81]
22	Alignment Block (EZ-Align)	-	90008238	90008238	90008238	90008238	90008238	-	1.10 [0.50]

* Replacement frame bracket assembly can be found in SRK kits: 544, 545, and 546. When ordering frame brackets, it is recommended to order only EZ-Align replacement parts.

** Replacement components should be purchased in bushing connection SRK kits listed below.

† Contact Holland Customer Service at 800.876.3929.

‡ Suspensions produced prior to 2002 may require 90036177 spacer washers at the axle connection if the axle adapters have an inside spacing of 5.78".

Pivot Connection Kits

DESCRIPTION	SRK NO.	PART NUMBER	APPLICATION	WEIGHT LBS. [KG]
2 Welded Adjustable	SRK-203	48100264	1 Kit Req. per Axle	15.00 [6.80]
1 Welded Adjustable, 1 EZ-Align	SRK-227	48100289	1 Kit Req. per Axle	22.00 [9.98]
1 EZ-Align	SRK-521	48100385	2 Kits Req. per Axle	9.70 [4.40]
1 EZ-Align, 1 Welded Alignment	SRK-266	48100329	1 Kit Req. per Axle	18.00 [8.16]
1 EZ-Align, 1 Welded Alignment	SRK-520	48100384	1 Kit Req. per Axle	40.00 [18.14]
2 EZ-Align	SRK-521	48100385	1 Kit Req. per Axle	20.00 [9.07]
1 EZ-Align, 1 Welded Alignment	SRK-525	48100389	1 Kit Req. per Axle	17.24 [7.82]

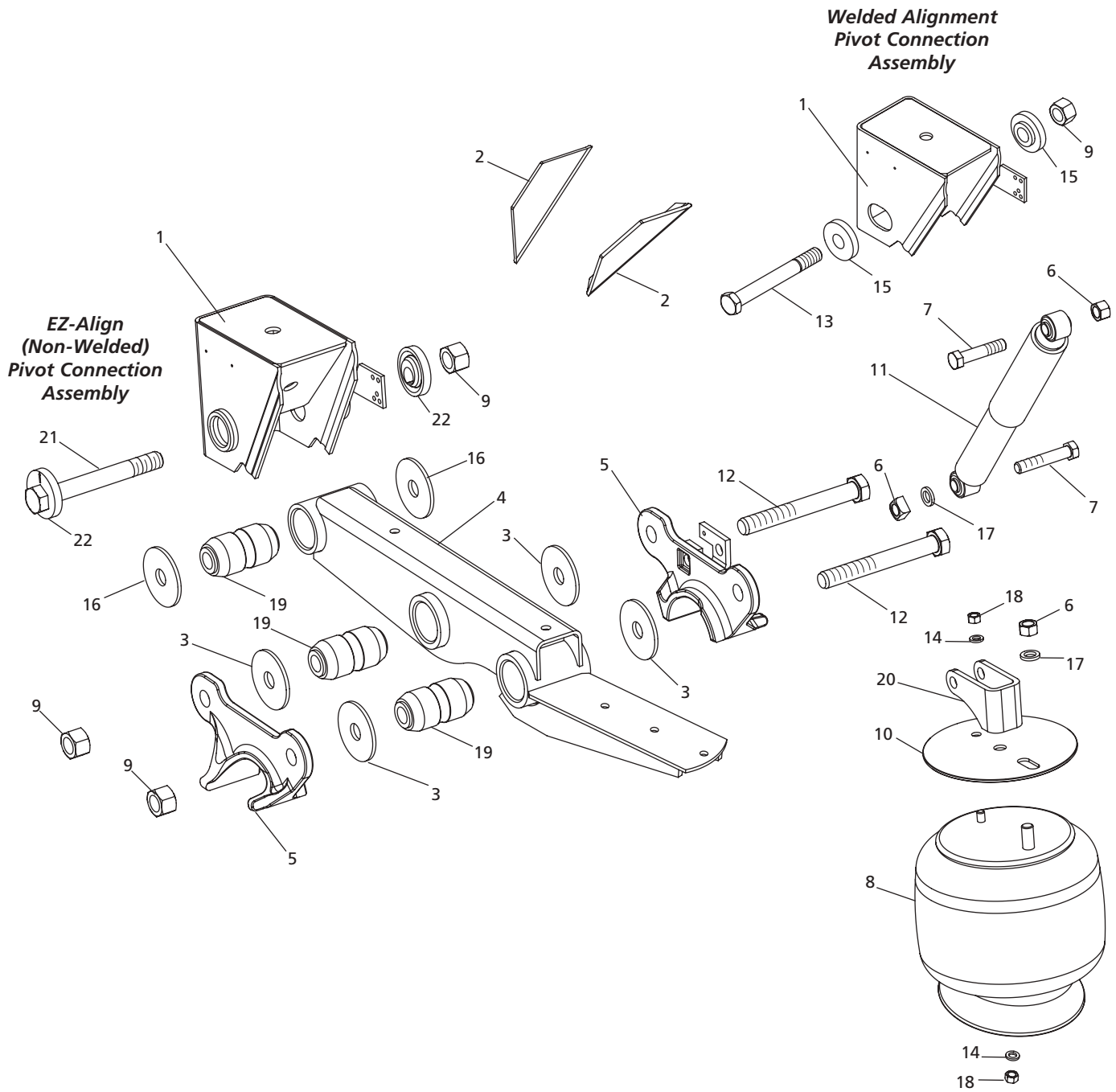
- If 90008147 alignment block is used, you must use 93201055 pivot bolt.
- If 90008198 alignment block is used, you must use 93201069 pivot bolt.
- Measure alignment block diameter: 3.125" = 90008147;
measure alignment block diameter: 2.80" = 90008198.

Axle Connection Kits

SRK NO.	PART NUMBER	APPLICATION	WEIGHT LBS. [KG]
SRK-149*	48100206	1 Kit Req. per Axle	32.28 [14.64]

* 90036175 and 90036177 washers.

RL230 Standard Suspension Exploded View



ITEM	DESCRIPTION	RL-230-12-3	RL-230-14-3	RL-230-15-3	RL-230-16-3	RL-230-17-3	QTY.	APPROX. WEIGHT LBS. [KG]
1*	Frame Bracket (roadside - EZ-Align)	90520859	90521147	90521148	90521149	90521149	1	23.60 [10.70]
	Frame Bracket (Welded Alignment)	90520846	90521141	90521142	90521143	90521143	1	22.50 [10.20]
2	Angle Brace	90025157	90025157	90025157	90023002	90023002	4	1.64 [0.74]
3	Washer	90036217	90036217	90036217	90036217	90036217	8	0.53 [0.24]
4	Equalizing Beam (roadside)	90516999	90516999	90516999	90516999	90516999	1	60.00 [27.22]
	Equalizing Beam (curbside)	90517000	90517000	90517000	90517000	90517000	1	60.00 [27.22]
5	Axle Adapter (roadside-outboard)	90001341	90001341	90001341	90001341	90001341	1	11.90 [5.40]
	Axle Adapter (roadside-inboard)	90501462	90501462	90501462	90501462	90501462	1	13.50 [6.12]
	Axle Adapter (curbside-outboard)	90001340	90001340	90001340	90001340	90001340	1	11.75 [5.33]
	Axle Adapter (curbside-inboard)	90501463	90501463	90501463	90501463	90501463	1	13.34 [6.05]
6	.75"-10 Hex Nut (top of air spring)	93400149	93400149	93400149	93400149	93400149	2	0.12 [0.05]
	.75"-10 Hex Nut (upper shock lock nut)	93400492	93400492	93400492	93400492	93400492	2	0.13 [0.06]
	.75"-10 Square Nut (for lower shock bolt)	93400367	93400367	93400367	93400367	93400367	2	0.14 [0.06]
7	.75"-10x3.50" Bolt	93003597	93003597	93003597	93003597	93003597	2	0.52 [0.24]
	.75"-10x4" Bolt (lower shock bolt)	93003609	93003609	93003609	93003609	93003609	2	0.58 [0.26]
8	Air Spring	90557223	90557117	90557118	90557118	90557119	2	10.70 [4.85]
9	Nut, Hex Lock 1.13" - 7 GR-C	93400506	93400506	93400506	93400506	93400506	6	0.38 [0.17]
10	Air Spring Mtg Plate (ASMP)	90033785	90033785	90033785	90033785	90033785	2	4.10 [1.86]
	Upper ASMP & shk Brkt (roadside)	-	90531320	90531320	90531320	-	1	6.70 [3.04]
	Upper ASMP & shk Brkt (curbside)	-	90531321	90531321	90531321	-	1	6.70 [3.04]
11	Shock Absorber	90045381	90044642	90044642	90044089	90044089	2	5.63 [2.55]
12	Bolt, Hex, 1.12-7 X 8.75" Gr 8	93201051	93201051	93201051	93201051	93201051	4	2.80 [1.27]
13	1.13" Pivot Bolt (Welded Alignment)	93201055	93201069	93201069	93201069	93201069	1	2.92 [1.32]
14	.50" Lock Washer	93600072	93600072	93600072	93600072	93600072	4	0.02 [0.01]
15	Alignment Block (Welded Alignment)	90008147	90008198	90008198	90008198	90008198	2	1.50 [0.68]
16	Pivot Washer, 1.14" dia.	90036177	90036177	90036177	90036177	90036177	4	0.80 [0.36]
17	.75" Lock Washer	93600077	93600077	93600077	93600077	93600077	4	0.04 [0.02]
18	.50"-13 Nut	93400136	93400136	93400136	93400136	93400136	4	0.40 [0.18]
19**	Pivot and Axle Bushing	90008149	90008149	90008149	90008149	90008149	6	2.50 [1.13]
20	Upper Shock Bracket	90018445	90018445	90018445	90018445	90018445	2	2.63 [1.19]
21	1.13" Pivot Bolt (EZ-Align)	90508019	90508019	90508019	90508019	90508019	1*	3.98 [1.81]
22	Alignment Block (EZ-Align)	90008238	90008238	90008238	90008238	90008238	1*	1.10 [0.50]

* If both frame brackets require EZ-Align, order 2.

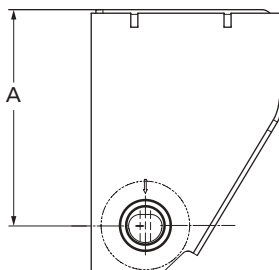
** Replacement components should be purchased in bushing connection SRK kits listed below.

Pivot Connection Kits

DESCRIPTION	SRK NO.	PART NUMBER	APPLICATION	WEIGHT LBS. [KG]
1 EZ-Align 1 Welded Alignment	SRK-525	48100389	1 Kit Req. per Axle	17.24 [7.82]
2 EZ-Align	SRK-521	48100385	1 Kit Req. per Axle	20.00 [9.07]

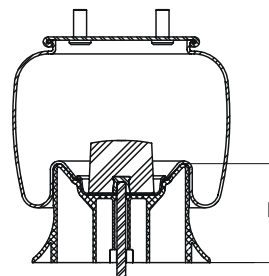
Axle Connection Kit

SRK NO.	PART NUMBER	APPLICATION	WEIGHT LBS. [KG]
SRK-265	48100328	1 Kit Req. per Axle	27.40 [12.43]



Frame Bracket

"A" DIM	PART NUMBER	WEIGHT LBS. [KG]
5.06"	90520859	46.00 [20.87]
7.06"	90521147	21.20 [9.62]
8.06"	90521148	23.60 [10.70]
10.44"	90521149	28.60 [12.97]



Air Spring

"B" DIM	PART NUMBER	WEIGHT LBS. [KG]
2.83"	90557223	10.70 [4.85]
4.75"	90557117	14.00 [6.35]
5.70"	90557118	14.00 [6.35]
7.40"	90557119	15.00 [6.80]

ITEM	DESCRIPTION	RL-230-14-3	RL-230-15-4	RL-230-16-4	RL-230-17-4	QTY.	APPROX. WEIGHT LBS. [KG]
1*	Frame Bracket (roadside - EZ-Align) HMS	90521325	90521327	90521377	90521377	1	26.40 [11.97]
	Frame Bracket (curbside - EZ-Align) HMS	90521326	90521328	90521378	90521378	1	32.00 [14.51]
	Frame Bracket (curbside - Welded Alignment) HMS	90521331	90521331	90521379	90521379	1	24.80 [11.25]
2	Angle Brace	90025157	90025157	90023002	90023002	4	1.64 [0.74]
3	Washer	90036217	90036217	90036217	90036217	8	0.53 [0.24]
4	Equalizing Beam (roadside)	90516999	90516999	90516999	90516999	1	60.00 [27.22]
	Equalizing Beam (curbside)	90517000	90517000	90517000	90517000	1	60.00 [27.22]
5	Axle Adapter (roadside-outboard) HMS	90001341	90001341	90001341	90001341	1	11.90 [5.40]
	Axle Adapter (roadside-inboard) HMS	90501426	90501426	90501426	90501426	1	13.80 [6.26]
	Axle Adapter (curbside-outboard) HMS	90001340	90001340	90001340	90001340	1	11.75 [5.33]
	Axle Adapter (curbside-inboard) HMS	90501425	90501425	90501425	90501425	1	14.39 [6.53]
6	.75"-10 Hex Nut (top of air spring)	93400149	93400149	93400149	93400149	2	0.12 [0.05]
	.75"-10 Hex Nut (upper shock lock nut)	93400492	93400492	93400492	93400492	4	0.13 [0.06]
7	.75"-10x3.50" Bolt	93003597	93003597	93003597	93003597	2	0.52 [0.24]
	.75"-10x4" Bolt (for lower shock bolt)	93003609	93003609	93003609	93003609	2	0.58 [0.26]
8	Air Spring	90557117	90557117	90557117	90557118	2	14.00 [6.35]
9	Nut, Hex Lock 1.13" - 7 GR-C	93400506	93400506	93400506	93400506	6	0.38 [0.17]
10	Air Spring Mtg Plate (ASMP)	90033785	90033785	90033785	90033785	2	4.10 [1.86]
11	Shock Absorber	90045381	90045381	90045299	90045040	2	4.33 [1.96]
12	Bolt, Hex, 1.12-7 X 8.75" Gr 8	93201051	93201051	93201051	93201051	4	2.80 [1.27]
13	1.13" Pivot Bolt (Welded Alignment)	93201069	93201069	93201069	93201069	2	2.90 [1.32]
14	.50" Washer	93600072	93600072	93600072	93600072	4	0.02 [0.01]
15	Alignment Block (Welded Alignment)	90008198	90008198	90008198	90008198	2	0.61 [0.27]
16	Pivot Washer, 1.14" dia.	90036177	90036177	90036177	90036177	4	0.80 [0.36]
17	.75" Washer	93600077	93600077	93600077	93600077	2	0.04 [0.02]
18	.50"-13 Nut	93400136	93400136	93400136	93400136	4	0.40 [0.18]
19**	Pivot and Axle Bushings	90008149	90008149	90008149	90008149	6	2.50 [1.13]
21	1.13" Pivot Bolt (EZ-Align)	90508019	90508019	90508019	90508019	1*	3.98 [1.81]
22	Alignment Block (EZ-Align)	90008238	90008238	90008238	90008238	1*	1.10 [0.50]

* If both frame brackets require EZ-Align, order 2.

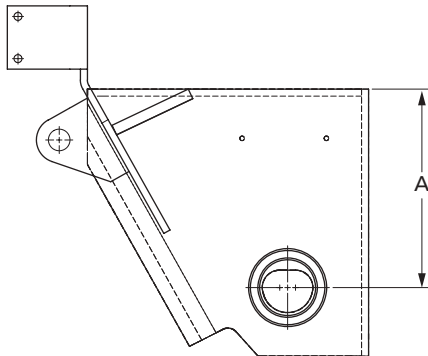
** Replacement components should be purchased in bushing connection SRK kits listed below.

Pivot Connection Kits

DESCRIPTION	SRK NO.	PART NUMBER	APPLICATION	WEIGHT LBS. [KG]
1 EZ-Align 1 Welded Alignment	SRK-525	48100389	1 Kit Req. per Axle	17.24 [7.82]
2 EZ-Align	SRK-521	48100385	1 Kit Req. per Axle	20.00 [9.07]

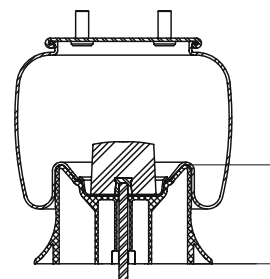
Axle Connection Kit

SRK NO.	PART NUMBER	APPLICATION	WEIGHT LBS. [KG]
SRK-265	48100328	1 Kit Req. per Axle	27.40 [12.43]



Frame Bracket

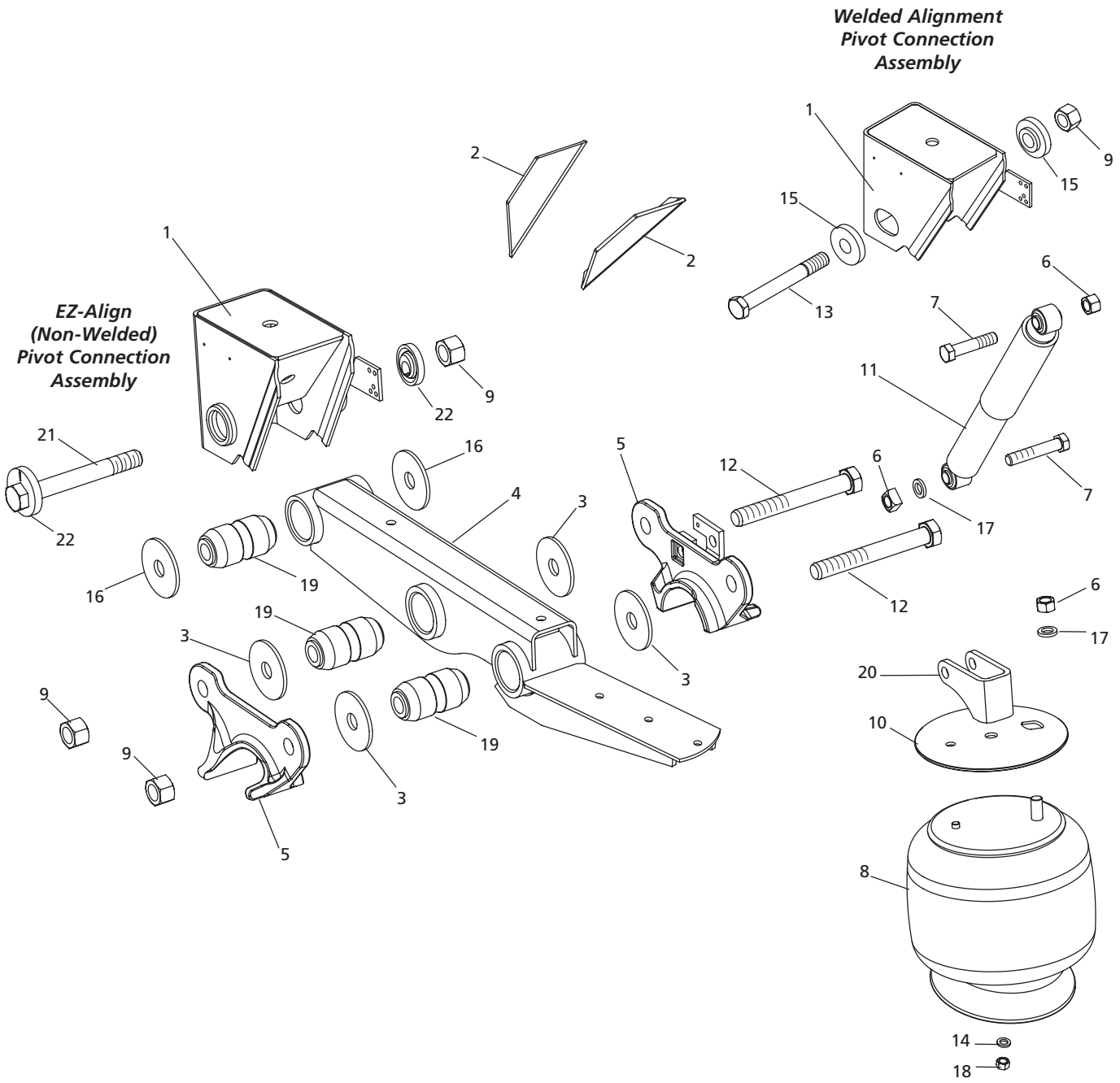
"A" DIM	PART NUMBER	WEIGHT LBS. [KG]
7.06"	90521325	26.40 [11.97]
8.06"	90521327	27.70 [12.56]
10.44"	90521377	32.20 [14.61]



Air Spring

"B" DIM	PART NUMBER	WEIGHT LBS. [KG]
4.75"	90557117	14.00 [6.35]
5.70"	90557118	14.00 [6.35]

RL230 Single Stud Air Spring Suspension Exploded View



ITEM	DESCRIPTION	RL-230-14-3	RL-230-15-4	RL-230-16-4	RL-230-17-4	QTY.	APPROX. WEIGHT LBS. [KG]
1*	Frame Bracket (roadside - EZ-Align)	90521147	90521148	90521149	90521149	1	23.60 [10.70]
	Frame Bracket (curbside - Welded Alignment)	90521141	90521142	90521143	90521143	1	22.50 [10.20]
2	Angle Brace	90025157	90025157	90023002	90023002	4	1.64 [0.74]
3	Washer	90036217	90036217	90036217	90036217	8	0.53 [0.24]
4	Equalizing Beam (roadside)	90516999	90516999	90516999	90516999	1	60.00 [27.22]
	Equalizing Beam (curbside)	90517000	90517000	90517000	90517000	1	60.00 [27.22]
5	Axle Adapter (curbside-outboard)	90001340	90001340	90001340	90001340	1	11.75 [5.33]
	Axle Adapter (roadside-inboard)	90501462	90501462	90501462	90501462	1	13.50 [6.12]
	Axle Adapter (roadside-outboard)	90001341	90001341	90001341	90001341	1	11.90 [5.40]
	Axle Adapter (curbside-inboard)	90501463	90501463	90501463	90501463	1	13.34 [6.05]
6	.75"-10 Hex Nut (top of air spring)	93400149	93400149	93400149	93400149	2	0.12 [0.05]
	.75"-10 Hex Nut (upper shock lock nut)	93400492	93400492	93400492	93400492	2	0.13 [0.06]
	.75"-10 Square Nut (for lower shock bolt)	93400367	93400367	93400367	93400367	2	0.14 [0.06]
7	.75"-10x3.50" Bolt	93003597	93003597	93003597	93003597	2	0.52 [0.24]
	.75"-10x4" Bolt (for lower shock bolt)	93003609	93003609	93003609	93003609	2	0.58 [0.26]
8	Air Spring (SS)	90557156	90557156	90557156	90557157	2	14.00 [6.35]
9	Nut, Hex Lock 1.13" - 7 GR-C	93400506	93400506	93400506	93400506	6	0.38 [0.17]
10	Air Spring Mtg Plate (ASMP)	90033785	90033785	90033785	90033785	2	4.10 [1.86]
	Upper ASMP & shk Brkt (roadside) SS	90531322	90531322	90531322	90531322	1	6.90 [3.13]
	Upper ASMP & shk Brkt (curbside) SS	90531323	90531323	90531323	90531323	1	6.70 [3.04]
11	Shock Absorber	90044642	90044642	90044642	90044089	2	4.67 [2.12]
12	Bolt, Hex, 1.12-7 X 8.75" Gr 8	93201051	93201051	93201051	93201051	4	2.80 [1.27]
13	1.13" Pivot Bolt (Welded Alignment)	93201069	93201069	93201069	93201069	1	2.90 [1.32]
14	.50" Washer	93600072	93600072	93600072	93600072	4	0.02 [0.01]
15	Alignment Block (Welded Alignment)	90008198	90008198	90008198	90008198	2	0.61 [0.27]
16	Pivot Washer, 1.14" dia.	90036177	90036177	90036177	90036177	4	0.80 [0.36]
17	.75" Washer	93600077	93600077	93600077	93600077	4	0.04 [0.02]
18	.50"-13 Nut	93400136	93400136	93400136	93400136	4	0.40 [0.18]
19**	Pivot and Axle Bushing	90008149	90008149	90008149	90008149	6	2.50 [1.13]
20	Upper Shock Bracket	90018445	90018445	90018445	90018445	2	2.63 [1.19]
21	1.13" Pivot Bolt (EZ-Align)	90508019	90508019	90508019	90508019	1*	3.98 [1.81]
22	Alignment Block (EZ-Align)	90008238	90008238	90008238	90008238	1*	1.10 [0.50]

* If both frame brackets require EZ-Align, order 2.

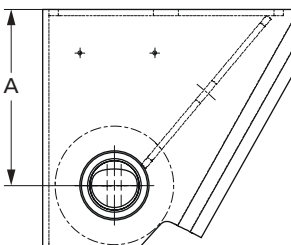
** Replacement components should be purchased in bushing connection SRK kits listed below.

Pivot Connection Kits

DESCRIPTION	SRK NO.	PART NUMBER	APPLICATION	WEIGHT LBS. [KG]
1 EZ-Align 1 Welded Alignment	SRK-525	48100389	1 Kit Req. per Axle	17.24 [7.82]
2 EZ-Align	SRK-521	48100385	1 Kit Req. per Axle	20.00 [9.07]

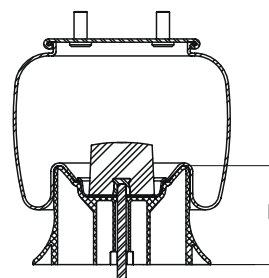
Axle Connection Kit

SRK NO.	PART NUMBER	APPLICATION	WEIGHT LBS. [KG]
SRK-265	48100328	1 Kit Req. per Axle	27.40 [12.43]



Frame Bracket

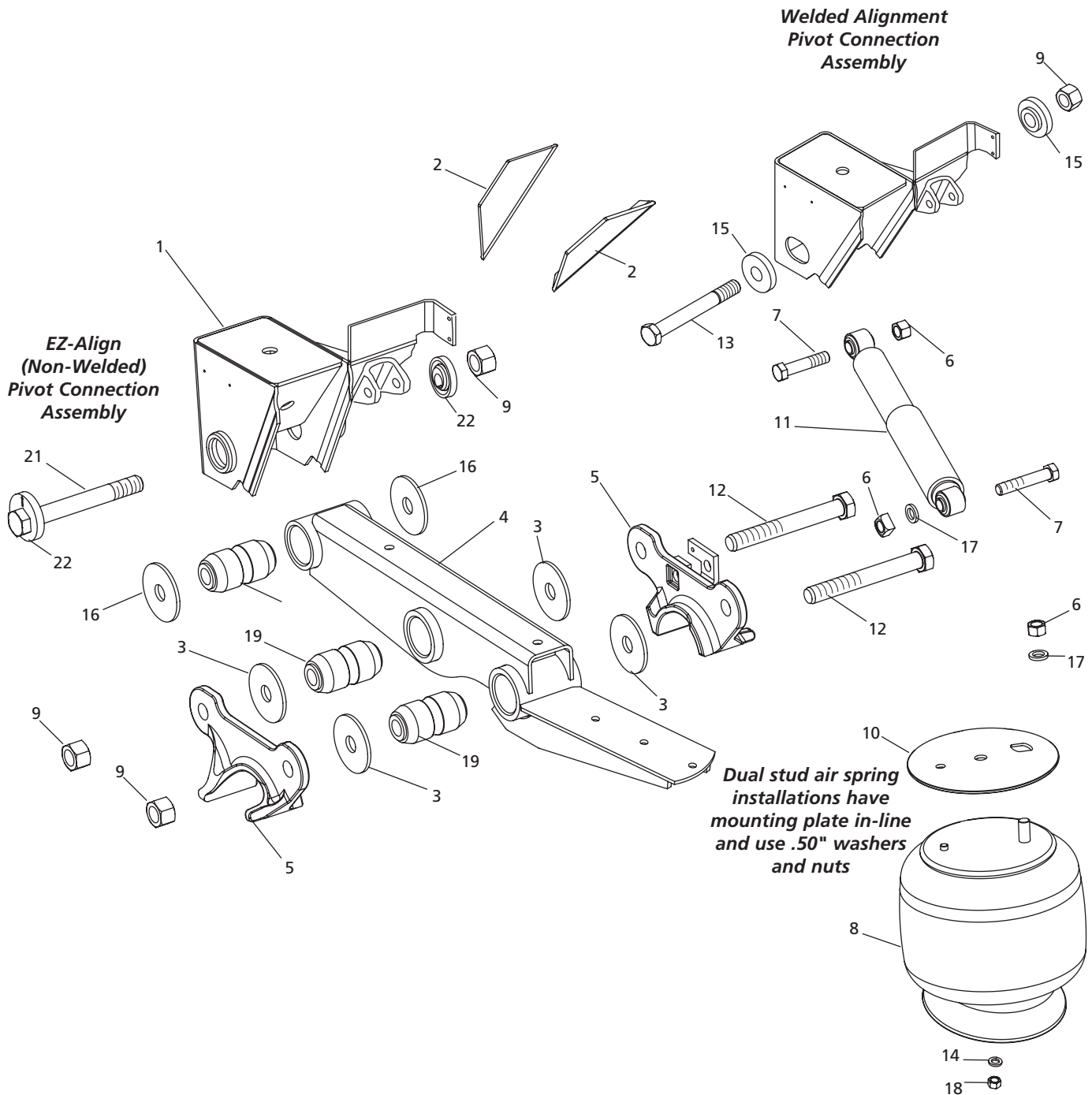
"A" DIM	PART NUMBER	WEIGHT LBS. [KG]
7.06"	90521147	21.20 [9.62]
8.06"	90521148	23.60 [10.70]
10.44"	90521149	28.60 [12.97]



Air Spring

"B" DIM	PART NUMBER	WEIGHT LBS. [KG]
4.75"	90557156	13.00 [5.90]
5.70"	90557157	14.00 [6.35]

RL230 Single Stud Air Spring, Hanger Mounted Shock Suspension Exploded View



ITEM	DESCRIPTION	RL-230-14-3	RL-230-15-4	RL-230-16-4	RL-230-17-4	QTY.	APPROX. WEIGHT LBS. [KG]
1*	Frame Bracket (roadside - EZ-Align) HMS	90521325	90521327	90521377	90521377	1	26.40 [11.97]
	Frame Bracket (curbside - EZ-Align) HMS	90521326	90521328	90521378	90521378	1	32.00 [14.51]
	Frame Bracket (curbside - Welded Alignment) HMS	90521331	90521331	90521379	90521379	1	24.80 [11.25]
2	Angle Brace	90025157	90025157	90023002	90023002	4	1.64 [0.74]
3	Washer	90036217	90036217	90036217	90036217	8	0.53 [0.24]
	Equalizing Beam (roadside)	90516999	90516999	90516999	90516999	1	60.00 [27.22]
4	Equalizing Beam (curbside)	90517000	90517000	90517000	90517000	1	60.00 [27.22]
5	Axle Adapter (roadside-outboard) HMS	90001341	90001341	90001341	90001341	1	11.90 [5.40]
	Axle Adapter (roadside-inboard) HMS	90501426	90501426	90501426	90501426	1	13.80 [6.26]
	Axle Adapter (curbside-outboard) HMS	90001340	90001340	90001340	90001340	1	11.75 [5.33]
	Axle Adapter (curbside-inboard) HMS	90501425	90501425	90501425	90501425	1	14.39 [6.53]
6	.75" -10 Hex Nut (top of air spring)	93400149	93400149	93400149	93400149	2	0.12 [0.05]
	.75" -10 Hex Nut (upper shock lock nut)	93400492	93400492	93400492	93400492	4	0.13 [0.06]
7	.75" -10x3.50" Bolt	93003597	93003597	93003597	93003597	2	0.52 [0.24]
	.75" -10x4" Bolt (for lower shock bolt)	93003609	93003609	93003609	93003609	2	0.58 [0.26]
8	Air Spring	90557156	90557156	90557156	90557156	2	14.00 [6.35]
9	Nut, Hex Lock 1.13" - 7 GR-C	93400506	93400506	93400506	93400506	6	0.38 [0.17]
10	Air Spring Mtg Plate (ASMP)	90033785	90033785	90033785	90033785	2	4.10 [1.86]
11	Shock Absorber	90045381	90045381	90045299	90045040	2	4.33 [1.96]
12	Bolt, Hex, 1.12-7 X 8.75" Gr 8	93201051	93201051	93201051	93201051	4	2.80 [1.27]
13	1.13" Pivot Bolt (Welded Alignment)	93201069	93201069	93201069	93201069	1	2.90 [1.32]
14	.50" Washer	93600072	93600072	93600072	93600072	4	0.02 [0.01]
15	Alignment Block (Welded Alignment)	90008198	90008198	90008198	90008198	2	0.61 [0.27]
16	Pivot Washer, 1.14" dia.	90036177	90036177	90036177	90036177	4	0.80 [0.36]
17	.75" Washer	93600077	93600077	93600077	93600077	2	0.04 [0.02]
18	.50" -13 Nut	93400136	93400136	93400136	93400136	4	0.40 [0.18]
19**	Pivot and Axle Bushing	90008149	90008149	90008149	90008149	6	2.50 [1.13]
21	1.13" Pivot Bolt (EZ-Align)	90508019	90508019	90508019	90508019	1*	3.98 [1.81]
22	Alignment Block (EZ-Align)	90008238	90008238	90008238	90008238	1*	1.10 [0.50]

* If both frame brackets require EZ-Align, order 2.

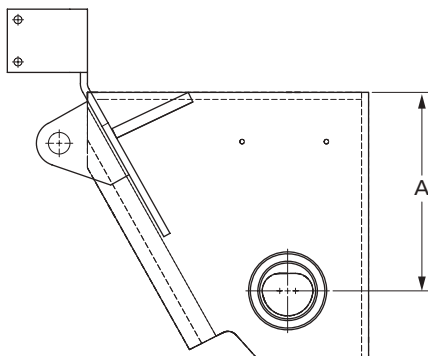
** Replacement components should be purchased in bushing connection SRK kits listed below.

Pivot Connection Kits

DESCRIPTION	SRK NO.	PART NUMBER	APPLICATION	WEIGHT LBS. [KG]
1 EZ-Align 1 Welded Alignment	SRK-525	48100389	1 Kit Req. per Axle	17.24 [7.82]
2 EZ-Align	SRK-521	48100385	1 Kit Req. per Axle	20.00 [9.07]

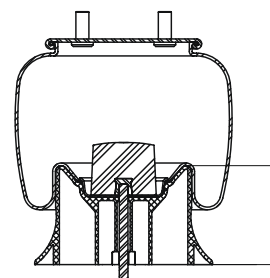
Axle Connection Kit

SRK NO.	PART NUMBER	APPLICATION	WEIGHT LBS. [KG]
SRK-265	48100328	1 Kit Req. per Axle	27.40 [12.43]



Frame Bracket

"A" DIM	PART NUMBER	WEIGHT LBS. [KG]
7.06"	90521325	26.40 [11.97]
8.06"	90521327	27.70 [12.56]
10.44"	90521377	32.20 [14.61]

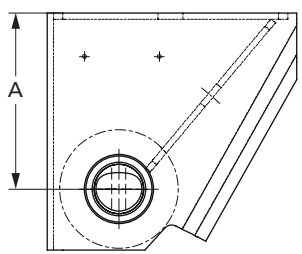
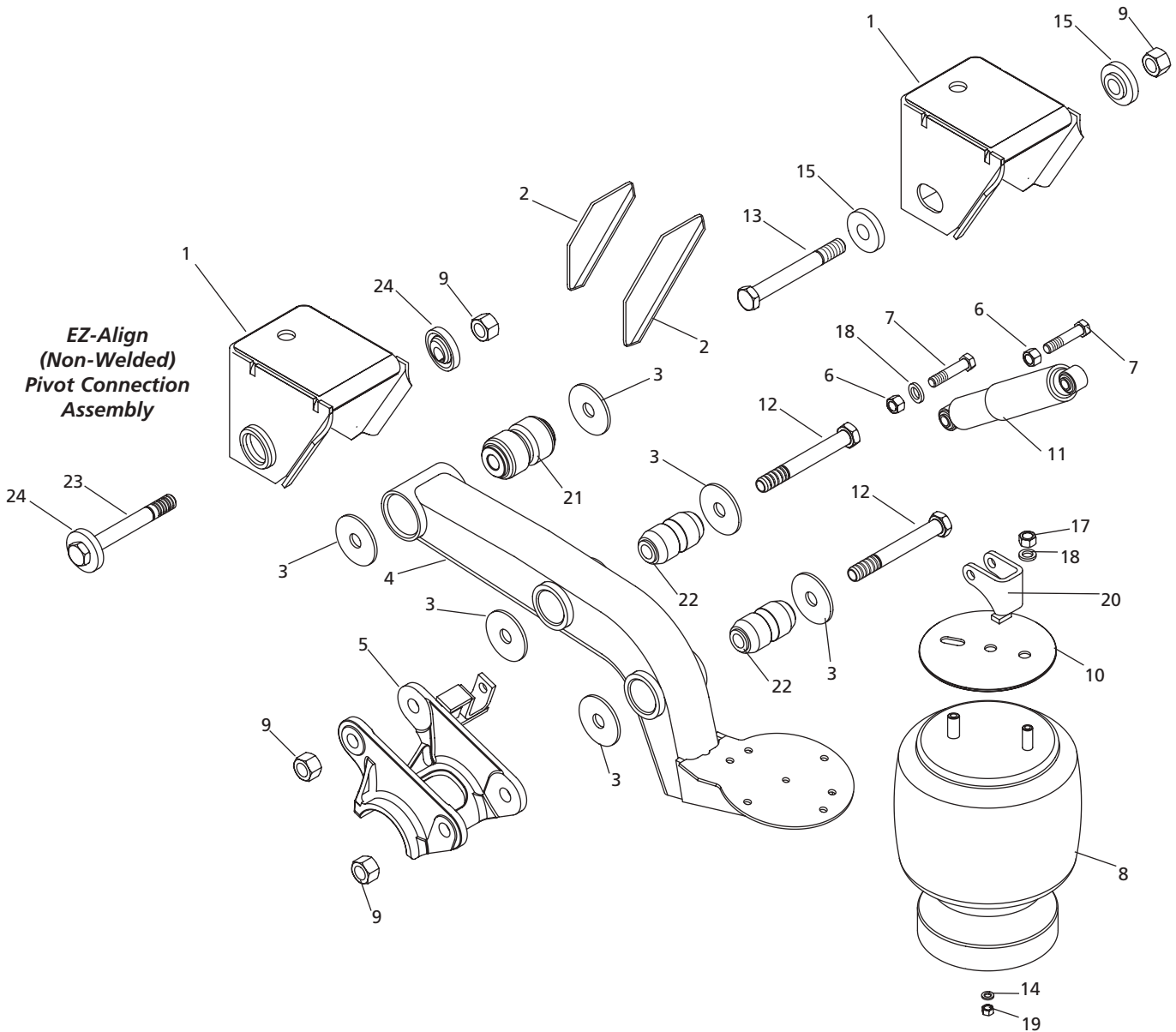


Air Spring

"B" DIM	PART NUMBER	WEIGHT LBS. [KG]
4.75"	90557156	13.00 [5.90]
5.70"	90557157	14.00 [6.35]

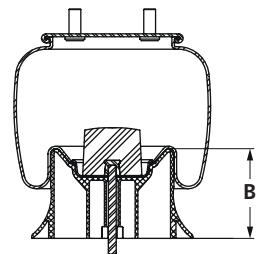
RL250 Standard Suspension Exploded View

Welded Alignment Pivot Connection Assembly



Frame Bracket

"A" DIM	PART NUMBER	WEIGHT LBS. [KG]
8.06"	90521151	24.10 [10.93]
10.44"	90521152	29.10 [13.20]



Air Spring

"B" DIM	PART NUMBER	WEIGHT LBS. [KG]
5.70"	90557167	16.00 [7.26]
7.58"	90557168	18.00 [8.16]

ITEM	DESCRIPTION	RL-250-14.0	RL-250-15.0	RL-250-16.0	RL-250-17.0	QTY.	APPROX. WEIGHT LBS. [KG]
1	Frame Bracket (roadside - EZ-Align)	90521151	90521151	90521152	90521152	1	29.10 [13.20]
	Frame Bracket (curbside - EZ-Align)	90521151	90521151	90521152	90521152	1	29.10 [13.20]
	Frame Bracket (roadside - Welded Alignment)	90521145	90521145	90521146	90521146	1	28.00 [12.70]
	Frame Bracket (curbside - Welded Alignment)	90521145	90521145	90521146	90521146	1	28.00 [12.70]
2	Angle Brace	90023002	90023002	90023001	90023001	4	3.84 [1.74]
3	1.13" Spacer Washer	90036177	90036177	90036177	90036177	12	0.80 [0.36]
4	Equalizing Beam (roadside)	90516587	90516587	90516587	90516587	1	80.00 [36.28]
	Equalizing Beam (curbside)	90516588	90516588	90516588	90516588	1	80.00 [36.28]
5	Axle Adapter (roadside)	90501289	90501289	90501289	90501289	1	32.00 [14.51]
	Axle Adapter (curbside)	90501290	90501290	90501290	90501290	1	32.00 [14.51]
6	.75"-10 Hex Nut (upper shock lock nut)	93400492	93400492	93400492	93400492	2	0.13 [0.06]
	.75"-10 Square Nut (for lower shock bolt)	93400367	93400367	93400367	93400367	2	0.14 [0.06]
7	.75"-10x3.50" Bolt	93003597	93003597	93003597	93003597	2	0.52 [0.24]
	.75"-10x4" Bolt (lower shock bolt)	93003609	93003609	93003609	93003609	2	0.58 [0.26]
8	Air Spring	90557167	90557167	90557168	90557168	2	18.00 [8.16]
9	Nut, Hex Lock 1.13" - 7 GR-C	93400506	93400506	93400506	93400506	6	0.38 [0.17]
10	Air Spring Mtg Plate	90033785	90033785	90033785	90033785	2	4.10 [1.86]
	Upper ASMP & shk Brkt (roadside)	90531262	90531262	90531262	90531262	1	6.00 [2.72]
	Upper ASMP & shk Brkt (curbside)	90531263	90531263	90531263	90531263	1	6.00 [2.72]
11	Shock Absorber	90044642	90044642	90044089	90044089	2	4.67 [2.12]
12	Bolt, Hex, 1.12-7 X 8.75" Gr 8	93201051	93201051	93201051	93201051	4	2.80 [1.27]
13	1.13" Pivot Bolt (Welded Alignment)	93201069	93201069	93201069	93201069	2	2.90 [1.32]
14	.50" Washer	93600072	93600072	93600072	93600072	4	0.02 [0.01]
15	Alignment Block (Welded Alignment)	90008198	90008198	90008198	90008198	2	0.61 [0.27]
17	.75"-10 Hex Nut (top of air spring)	93400149	93400149	93400149	93400149	2	0.12 [0.05]
18	.75" Washer	93600077	93600077	93600077	93600077	4	0.04 [0.02]
19	.50"-13 Nut	93400136	93400136	93400136	93400136	4	0.40 [0.18]
20	Upper Shock Bracket	90018515	90018515	90018515	90018515	2	2.10 [0.95]
21*	Pivot Bushing	90008139	90008139	90008139	90008139	2	4.68 [2.12]
22*	Axle Bushing	90008149	90008149	90008149	90008149	4	2.50 [1.13]
23	1.13" Pivot Bolt (EZ-Align)	90508019	90508019	90508019	90508019	2	3.98 [1.81]
24	Alignment Block (EZ-Align)	90008238	90008238	90008238	90008238	2	1.10 [0.50]

* Replacement components should be purchased in bushing connection SRK kits listed below.

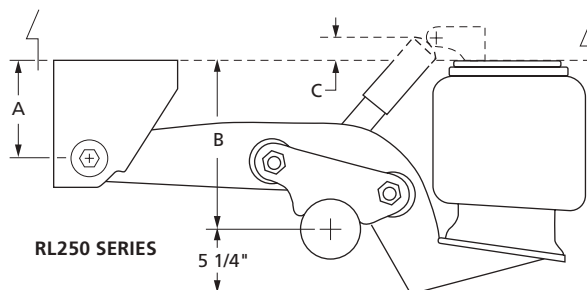
Pivot Connection Kits

DESCRIPTION	SRK NO.	PART NUMBER	APPLICATION	WEIGHT LBS. [KG]
1 EZ-Align	SRK-519	48100383	1 Kit Req. per Axle	21.82 [9.90]
2 EZ-Align	SRK-522	48100386	1 Kit Req. per Axle	24.62 [11.17]

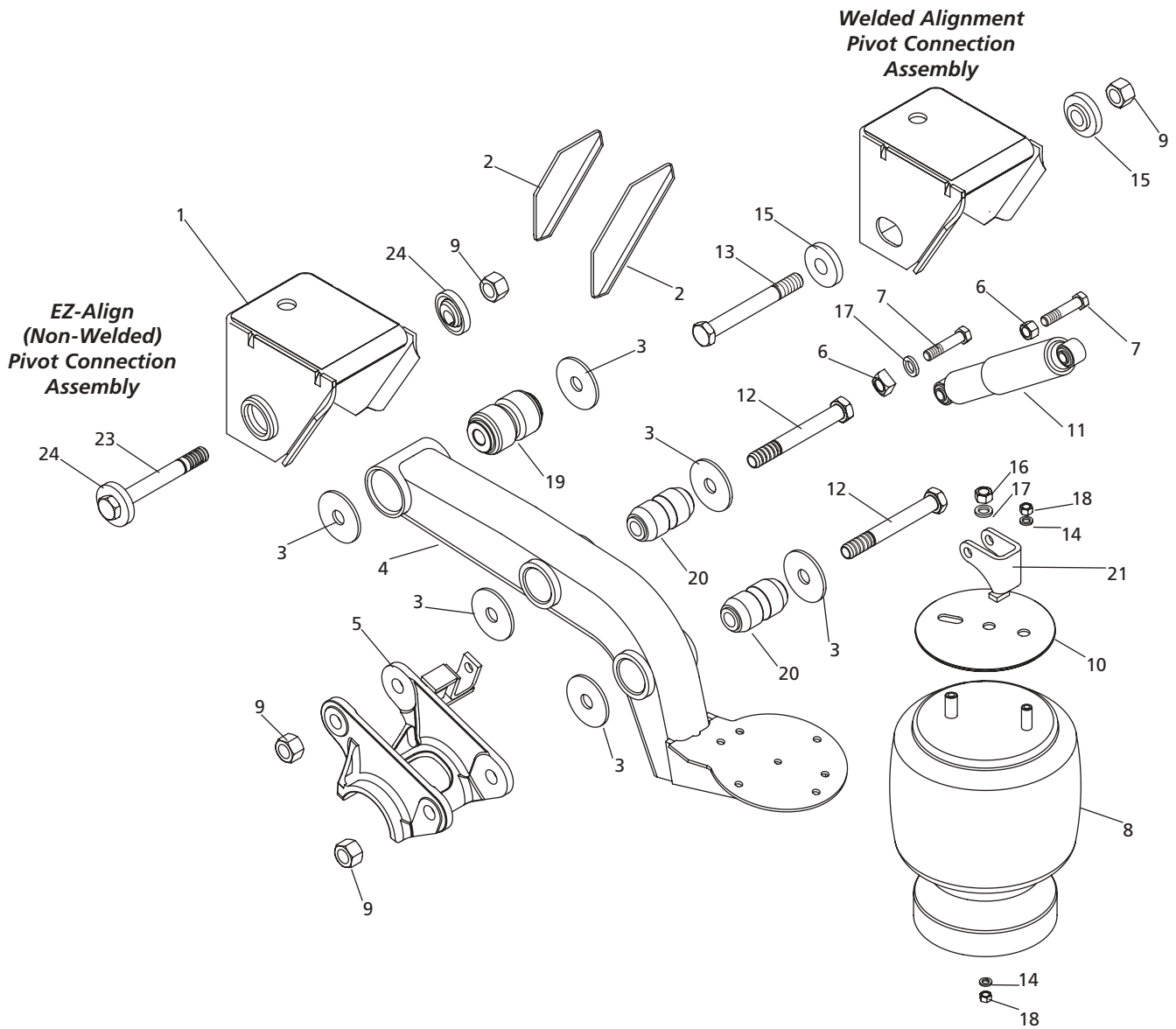
Axle Connection Kit

SRK NO.	PART NUMBER	APPLICATION	WEIGHT LBS. [KG]
SRK-149	48100206	1 Kit Req. per Axle	32.28 [14.64]

MODEL	A DIMENSION	B DIMENSION	C DIMENSION
RL-250-14	8.25	14	2.63
RL-250-15	8.25	15	2.63
RL-250-16	10.63	16	2.63
RL-250-17	10.63	17	2.63



RL250 Shock Below Frame Suspension Exploded View



ITEM	DESCRIPTION	RL-250-14-3	RL-250-15-4	RL-250-16-4	RL-250-17-4	QTY.	APPROX. WEIGHT LBS. [KG]
1	Frame Bracket (roadside) EZ SBF	90521150	90521151	90521152	90521152	1	29.10 [13.20]
	Frame Bracket (curbside) EZ SBF	90521150	90521151	90521152	90521152	1	29.10 [13.20]
	Frame Bracket (curbside) WA SBF	90521144	90521145	90521146	90521146	1	28.00 [12.70]
2	Angle Brace	90023002	90023002	90023001	90023001	4	3.84 [1.74]
3	1.13" Spacer Washer	90036177	90036177	90036177	90036177	12	0.80 [0.36]
4	Equalizing Beam (roadside)	90516587	90516587	90516587	90516587	1	80.00 [36.28]
	Equalizing Beam (curbside)	90516588	90516588	90516588	90516588	1	80.00 [36.28]
5	Axle Adapter (roadside)	90501289	90501289	90501289	90501289	1	32.00 [14.51]
	Axle Adapter (curbside)	90501290	90501290	90501290	90501290	1	32.00 [14.51]
6	.75"-10 Hex Nut	93400492	93400492	93400492	93400492	2	0.13 [0.06]
	.75"-10 Square Nut (for lower shock bolt)	93400367	93400367	93400367	93400367	2	0.14 [0.06]
7	.75"-10x3.50" Bolt	93003597	93003597	93003597	93003597	2	0.52 [0.24]
	.75"-10x4" Bolt (lower shock bolt)	93003609	93003609	93003609	93003609	2	0.58 [0.26]
8	Air Spring SBF	90557167	90557167	90557167	90557167	2	16.00 [7.26]
9	Nut, Hex Lock 1.13" - 7 GR-C	93400506	93400506	93400506	93400506	6	0.38 [0.17]
10	Air Spring Mtg Plate	90033785	90033785	90033785	90033785	2	4.10 [1.86]
	Upper ASMP & shk Brkt RS SBF	90544830	90544830	90531331	90531331	1	18.00 [8.16]
	Upper ASMP & shk Brkt CS SBF	90544831	90544831	90531330	90531330	1	18.00 [8.16]
11	Shock Absorber SBF	90045040	90045040	90045299	90045299	2	4.33 [1.96]
12	Bolt, Hex, 1.12-7 X 8.75" Gr 8	93201051	93201051	93201051	93201051	4	2.80 [1.27]
13	1.13" Pivot Bolt (Welded Alignment)	93201069	93201069	93201069	93201069	2	2.90 [1.32]
14	.50" Washer	93600072	93600072	93600072	93600072	4	0.02 [0.01]
15	Alignment Block (Welded Alignment)	90008198	90008198	90008198	90008198	2	0.61 [0.27]
16	.75"-10 Hex Nut (top of air spring)	93400149	93400149	93400149	93400149	2	0.12 [0.05]
17	.75" Washer	93600077	93600077	93600077	93600077	4	0.04 [0.02]
18	.50"-13 Nut	93400136	93400136	93400136	93400136	2	0.40 [0.18]
19*	Pivot Bushing	90008139	90008139	90008139	90008139	1	4.68 [2.12]
20*	Axle Bushing	90008149	90008149	90008149	90008149	2	2.50 [1.13]
21	Upper Shock Bracket	90018445	90018445	90018445	90018445	2	2.63 [1.19]
22	Tube 3"x3"x0.25"x12" (not shown)	90038312	90038312	90038312	90038312	1	8.80 [4.00]
23	1.13" Pivot Bolt (EZ-Align)	90508019	90508019	90508019	90508019	2	3.98 [1.81]
24	Alignment Block (EZ-Align)	90008238	90008238	90008238	90008238	2	1.10 [0.50]

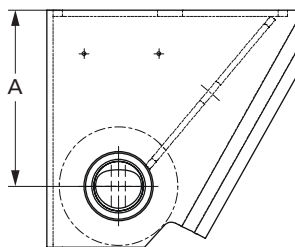
* Replacement components should be purchased in bushing connection SRK kits listed below.

Pivot Connection Kits

DESCRIPTION	SRK NO.	PART NUMBER	APPLICATION	WEIGHT LBS. [KG]
1 EZ-Align	SRK-519	48100383	1 Kit Req. per Axle	21.82 [9.90]
2 EZ-Align	SRK-522	48100386	1 Kit Req. per Axle	24.62 [11.17]

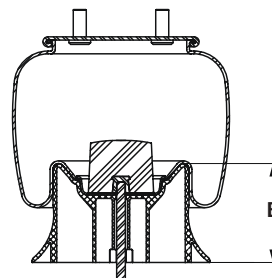
Axle Connection Kit

SRK NO.	PART NUMBER	APPLICATION	WEIGHT LBS. [KG]
SRK-149	48100206	1 Kit Req. per Axle	32.28 [14.64]



Frame Bracket

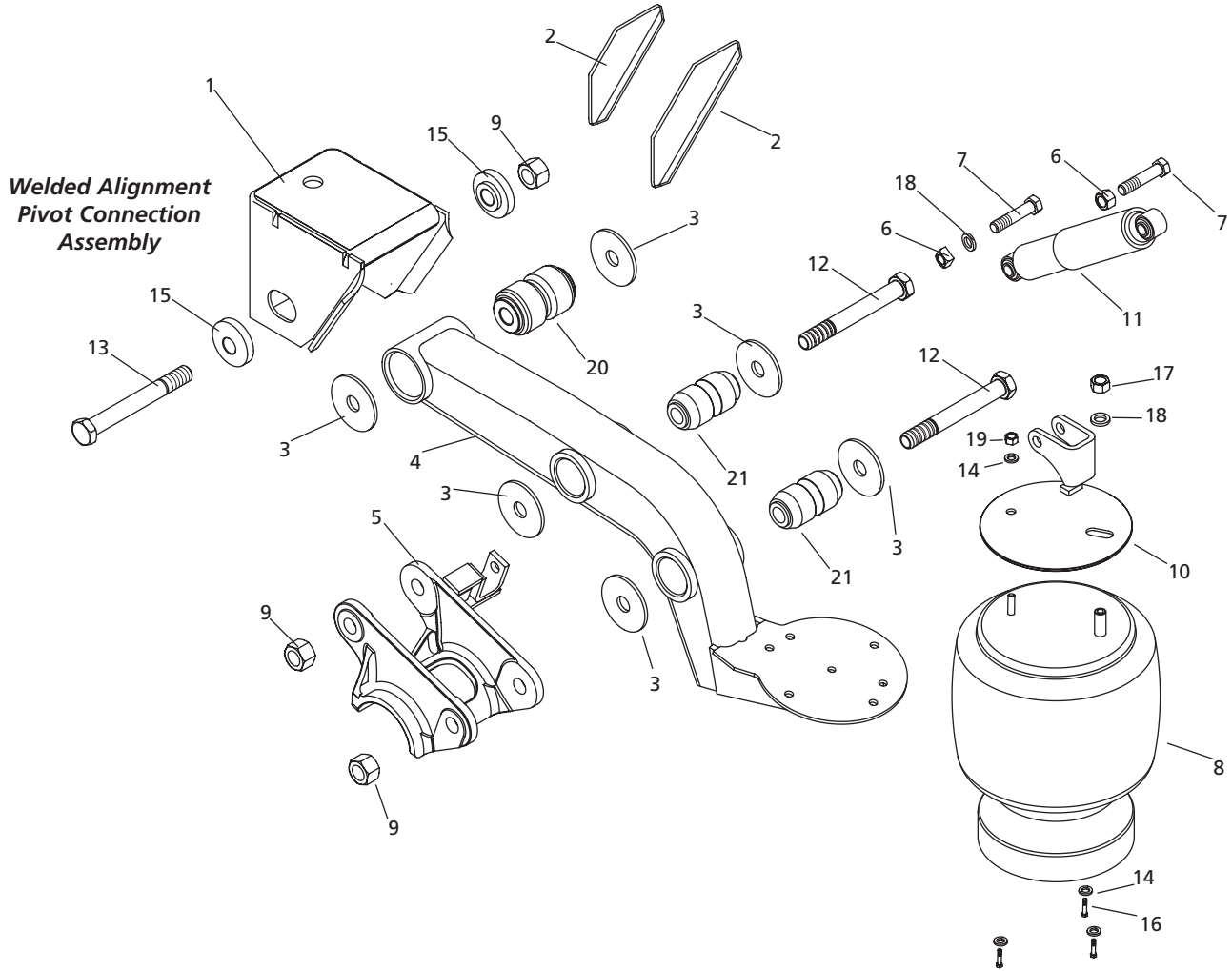
"A" DIM	PART NUMBER	WEIGHT LBS. [KG]
7.06"	90521150	21.60 [9.80]
8.06"	90521151	24.10 [10.93]
10.44"	90521152	29.10 [13.20]



Air Spring

"B" DIM	PART NUMBER	WEIGHT LBS. [KG]
5.70"	90557167	16.00 [7.26]

RL300 Standard Suspension Exploded View



ITEM	DESCRIPTION	RL-300-12	RL-300-13	RL-300-14	RL-300-15	RL-300-16	RL-300-17	QTY.	APPROX. WEIGHT LBS. [KG]
1	Frame Bracket (roadside - Welded Alignment)	90520383	90520383	90521144	90521145	90521146	90521146	1	28.00 [12.70]
	Frame Bracket (curbside - Welded Alignment)	90520383	90520383	90521144	90521145	90521146	90521146	1	28.00 [12.70]
2	Angle Brace	90025157	90025157	90023002	90023002	90023001	90023001	4	1.64 [0.74]
3	1.13" Spacer Washer	90036177	90036177	90036177	90036177	90036177	90036177	12	0.80 [0.36]
4	Equalizing Beam (roadside)	90516949	90516949	90516949	90516949	90516949	90516949	1	85.00 [38.56]
	Equalizing Beam (curbside)	90516950	90516950	90516950	90516950	90516950	90516950	1	84.00 [38.10]
5	Axle Adapter (roadside)	90501289	90501289	90501289	90501289	90501289	90501289	1	32.00 [14.51]
	Axle Adapter (curbside)	90501290	90501290	90501290	90501290	90501290	90501290	1	32.00 [14.51]
6	.75"-10 Hex Nut (upper shock lock nut)	93400492	93400492	93400492	93400492	93400492	93400492	2	0.13 [0.06]
	.75"-10 Square Nut (for lower shock bolt)	93400367	93400367	93400367	93400367	93400367	93400367	2	0.14 [0.06]
7	.75"-10x3.50" Bolt	93003597	93003597	93003597	93003597	93003597	93003597	2	0.52 [0.24]
	.75"-10x4" Bolt (lower shock bolt)	93003609	93003609	93003609	93003609	93003609	93003609	2	0.58 [0.26]
8	Air Spring	90557259	90557259	90557185	90557185	90557260	90557260	2*	20.00 [9.07]
9	Nut, Hex Lock 1.13" - 7 GR-C	93400506	93400506	93400506	93400506	93400506	93400506	6	0.38 [0.17]
10	Upper Air Spring Mtg Plate & shk Brkt RS	90531316	90531316	90531306	90531306	90531326	90531326	1	6.90 [3.13]
	Upper Air Spring Mtg Plate & shk Brkt CS	90531317	90531317	90531307	90531307	90531327	90531327	1	6.90 [3.13]
11	Shock Absorber	90045054	90045054	90045338	90045338	90045338	90045338	2	7.91 [3.58]
12	Bolt, Hex, 1.12-7 X 8.75" Gr 8	93201051	93201051	93201051	93201051	93201051	93201051	4	2.80 [1.27]
13	1.13" Pivot Bolt (Welded Alignment)	93201069	93201069	93201069	93201069	93201069	93201069	2	2.90 [1.32]
14	.50" Washer	93600072	93600072	93600072	93600072	93600072	93600072	8	0.02 [0.01]
15	Alignment Block (Welded Alignment)	90008147	90008147	90008198	90008198	90008198	90008198	4	1.50 [0.68]
16	.50"-13x1" Bolt	93002893	93002893	93002893	93002893	93002893	93002893	6	0.08 [0.04]
17	.75"-10 Hex Nut (top of air spring)	93400149	93400149	93400149	93400149	93400149	93400149	2	0.12 [0.05]
18	.75" Washer	93600077	93600077	93600077	93600077	93600077	93600077	4	0.04 [0.02]
19	.50"-13 Nut	93400136	93400136	93400136	93400136	93400136	93400136	2	0.40 [0.18]
20*	Pivot Bushing	90008139	90008139	90008139	90008139	90008139	90008139	1	4.68 [2.12]
21*	Axle Bushing	90008149	90008149	90008149	90008149	90008149	90008149	2	2.50 [1.13]

* Replacement components should be purchased in bushing connection SRK kits listed below.

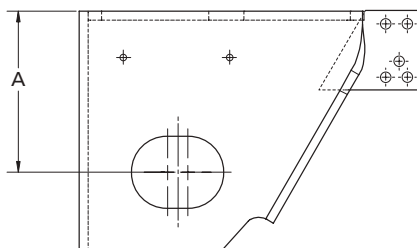
Pivot Connection Kits

DESCRIPTION	SRK NO.	PART NUMBER	APPLICATION	WEIGHT LBS [KG]
1 Welded Alignment**	SRK-524	48100388	1 Kit Req. per Axle	N/A

**Without alignment collars.

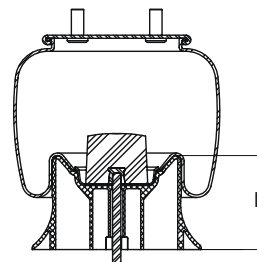
Axle Connection Kit

SRK NO.	PART NUMBER	APPLICATION	WEIGHT LBS [KG]
SRK-149	48100206	1 Kit Req. per Axle	32.28 [14.64]



Frame Bracket

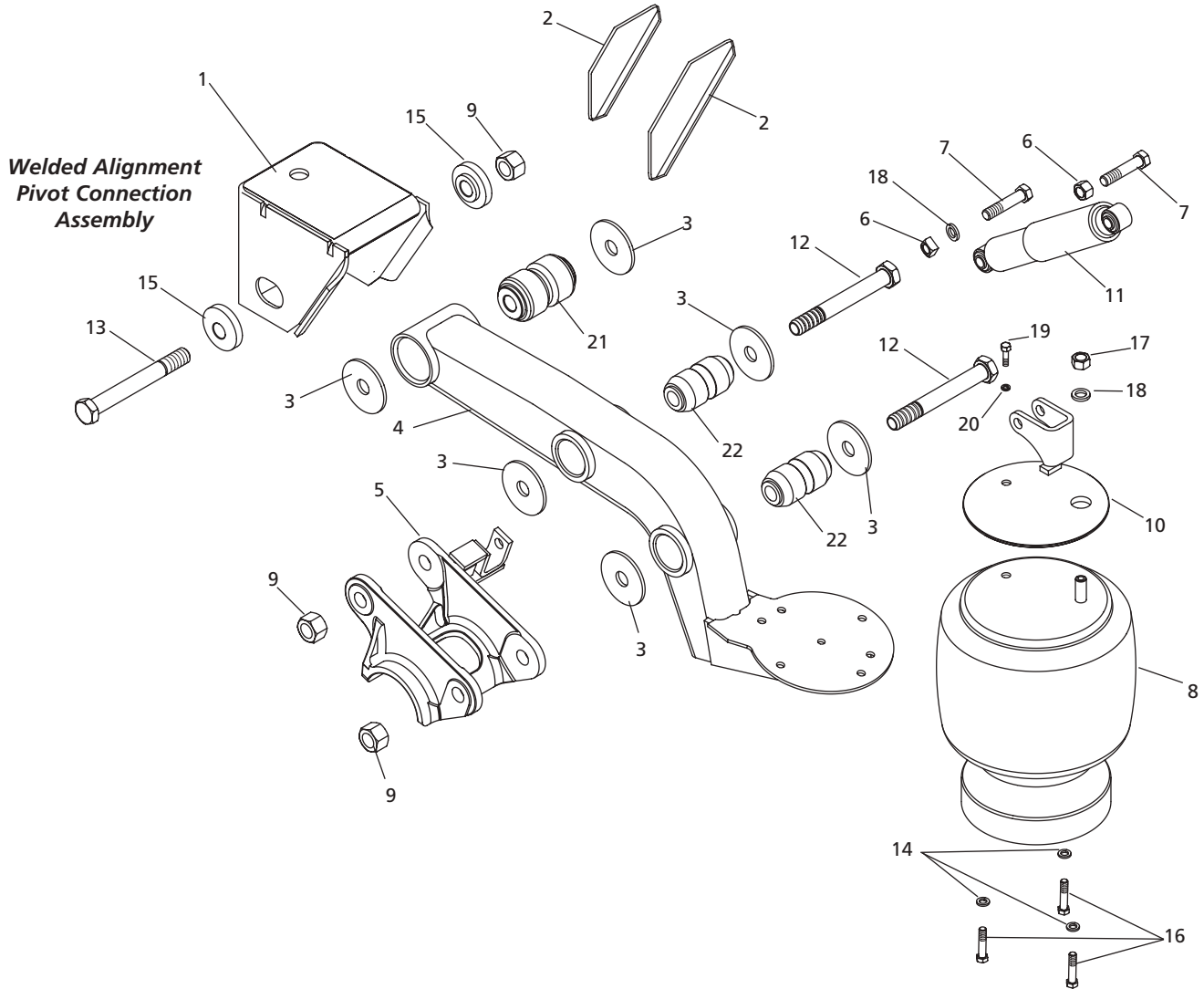
"A" DIM	PART NUMBER	WEIGHT LBS [KG]
5.06"	90520383	12.80 [5.81]
7.25"	90521144	20.50 [9.30]
8.25"	90521145	22.90 [10.39]
10.59"	90521146	28.00 [12.70]



Air Spring

"B" DIM	PART NUMBER	WEIGHT LBS [KG]
5.50"	90557259	N/A
7.00"	90557260	25.00 [11.34]
7.00"	90557185	20.00 [9.07]

RL300 Offset Stud Air Spring Suspension Exploded View



ITEM	DESCRIPTION	RL-300-13	RL-300-14	RL-300-15	RL-300-16	RL-300-17	QTY.	APPROX. WEIGHT LBS. [KG]
1	Frame Bracket (roadside - Welded Alignment)	90520383	90521144	90521145	90521146	90521146	1	28.00 [12.70]
	Frame Bracket (curbside - Welded Alignment)	90520383	90521144	90521145	90521146	90521146	1	28.00 [12.70]
2	Angle Brace	90025157	90023002	90023002	90023001	90023001	4	1.64 [0.74]
3	1.13" Spacer Washer	90036177	90036177	90036177	90036177	90036177	12	0.80 [0.36]
4	Equalizing Beam (roadside)	90516949	90516949	90516949	90516949	90516949	1	85.00 [38.56]
	Equalizing Beam (curbside)	90516950	90516950	90516950	90516950	90516950	1	84.00 [38.10]
5	Axle Adapter (roadside)	90501289	90501289	90501289	90501289	90501289	1	32.00 [14.51]
	Axle Adapter (curbside)	90501290	90501290	90501290	90501290	90501290	1	32.00 [14.51]
6	.75"-10 Hex Nut (upper shock lock nut)	93400492	93400492	93400492	93400492	93400492	2	0.13 [0.06]
	.75"-10 Square Nut (for lower shock bolt)	93400367	93400367	93400367	93400367	93400367	2	0.14 [0.06]
7	.75"-10x3.50" Bolt	93003597	93003597	93003597	93003597	93003597	2	0.52 [0.24]
	.75"-10x4" Bolt (lower shock bolt)	93003609	93003609	93003609	93003609	93003609	2	0.58 [0.26]
8	Firestone OFS Air Spring	90557283	90557283	90557283	90557283	90557283	2	25.00 [11.34]
9	Nut, Hex Lock 1.13" - 7 GR-C	93400506	93400506	93400506	93400506	93400506	6	0.38 [0.17]
10	Upper Air Spring Mtg Plate & shk Brkt RS	90531316	90531316	90531316	90531328	90531328	1	6.82 [3.09]
	Upper Air Spring Mtg Plate & shk Brkt CS	90531317	90531317	90531317	90531329	90531329	1	6.82 [3.09]
11	Shock Absorber	90045054	90045338	90045338	90045338	90045338	2	7.91 [3.58]
12	Bolt, Hex, 1.12-7 X 8.75" Gr 8	93201051	93201051	93201051	93201051	93201051	4	2.80 [1.27]
13	1.13" Pivot Bolt (Welded Alignment)	93201069	93201069	93201069	93201069	93201069	2	2.90 [1.32]
14	.50" Washer	93600072	93600072	93600072	93600072	93600072	8	0.02 [0.01]
15	Alignment Block (Welded Alignment)	90008147	90008198	90008198	90008198	90008198	4	1.50 [0.68]
16	.50"-13x1" Bolt	93002893	93002893	93002893	93002893	93002893	6	0.08 [0.04]
17	.75"-10 Hex Nut (top of air spring)	93400149	93400149	93400149	93400149	93400149	2	0.12 [0.05]
18	.75" Washer	93600077	93600077	93600077	93600077	93600077	4	0.04 [0.02]
19	.38"-16 x 1" Grade 5 Bolt	93002571	93002571	93002571	93002571	93002571	4	N/A
20	.41" Lock Washer	93600069	93600069	93600069	93600069	93600069	4	N/A
21*	Pivot Bushing	90008139	90008139	90008139	90008139	90008139	1	4.68 [2.12]
22*	Axle Bushing	90008149	90008149	90008149	90008149	90008149	2	2.50 [1.13]

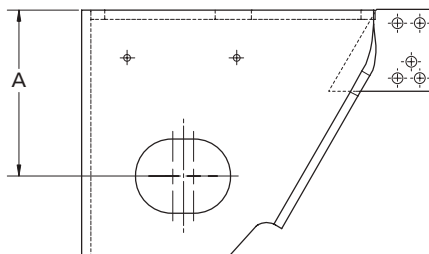
* Replacement components should be purchased in bushing connection SRK kits listed below.

Pivot Connection Kits

DESCRIPTION	SRK NO.	PART NUMBER	APPLICATION	WEIGHT LBS. [KG]
1 Welded Alignment	SRK-524	48100388	1 Kit Req. per Axle	N/A

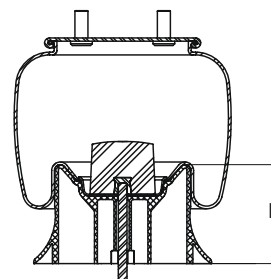
Axle Connection Kit

SRK NO.	PART NUMBER	APPLICATION	WEIGHT LBS. [KG]
SRK-149	48100206	1 Kit Req. per Axle	32.28 [14.64]



Frame Bracket

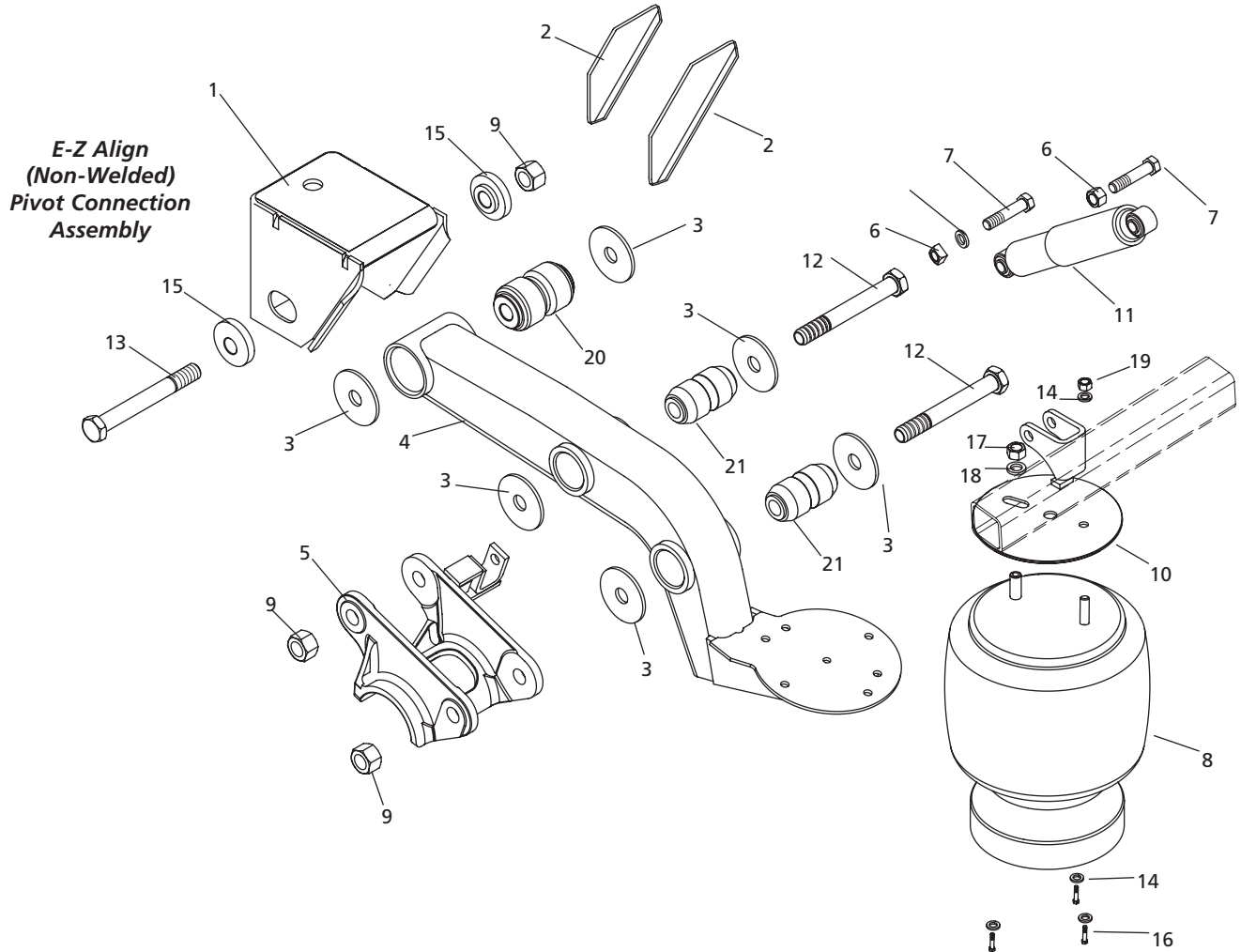
"A" DIM	PART NUMBER	WEIGHT LBS. [KG]
5.06"	90520383	12.80 [5.81]
7.25"	90521144	20.50 [9.30]
8.25"	90521145	22.90 [10.39]
10.59"	90521146	28.00 [12.70]



Air Spring

"B" DIM	PART NUMBER	WEIGHT LBS. [KG]
7.00"	90557283	25.00 [11.34]

RL300 Shock Below Frame Suspension Exploded View



ITEM	DESCRIPTION	RL-300-14-SBF	RL-300-15-SBF	RL-300-16-SBF	RL-300-17-SBF	QTY	APPROX. WEIGHT LBS. [KG]
1	Frame Bracket (roadside - Welded Alignment)	90521144	90521145	90521146	90521146	1	28.00 [12.70]
	Frame Bracket (curbside - Welded Alignment)	90521144	90521145	90521146	90521146	1	28.00 [12.70]
2	Angle Brace	90023002	90023002	90023001	90023001	4	3.84 [1.74]
3	1.13" Spacer Washer	90036177	90036177	90036177	90036177	12	0.80 [0.36]
4	Equalizing Beam (roadside)	90516949	90516949	90516949	90516949	1	85.00 [38.56]
	Equalizing Beam (curbside)	90516950	90516950	90516950	90516950	1	84.00 [38.10]
5	Axle Adapter (roadside)	90501289	90501289	90501289	90501289	1	32.00 [14.51]
	Axle Adapter (curbside)	90501290	90501290	90501290	90501290	1	32.00 [14.51]
6	.75"-10 Hex Nut (upper shock lock nut)	93400492	93400492	93400492	93400492	2	0.13 [0.06]
	.75"-10 Square Nut (for lower shock bolt)	93400367	93400367	93400367	93400367	2	0.14 [0.06]
7	.75"-10x3.50" Bolt	93003597	93003597	93003597	93003597	2	0.52 [0.24]
	.75"-10x4" Bolt (lower shock bolt)	93003609	93003609	93003609	93003609	2	0.58 [0.26]
8	Firestone Air Spring	90557111	90557111	90557111	90557111	2	22.00 [9.98]
9	Nut, Hex Lock 1.13" - 7 GR-C	93400506	93400506	93400506	93400506	6	0.38 [0.17]
10	Upper Air Spring Mtg Plate & shk Brkt (roadside)	90544830	90544830	90544830	90544830	1	18.00 [8.16]
	Upper Air Spring Mtg Plate & shk Brkt (curbside)	90544831	90544831	90544831	90544831	1	18.00 [8.16]
11	Shock Absorber	90045337	90045337	90045339	90045339	2	N/A
12	Bolt, Hex, 1.12-7 X 8.75" Gr 8	93201051	93201051	93201051	93201051	4	2.80 [1.27]
13	1.13" Pivot Bolt (Welded Alignment)	93201069	93201069	93201069	93201069	2	2.90 [1.32]
14	.50" Washer	93600072	93600072	93600072	93600072	8	0.02 [0.01]
15	Alignment Block (Welded Alignment)	90008198	90008198	90008198	90008198	4	0.61 [0.27]
16	.50"-13x1" Bolt	93002893	93002893	93002893	93002893	6	0.08 [0.04]
17	.75"-10 Hex Nut (top of air spring)	93400149	93400149	93400149	93400149	2	0.12 [0.05]
18	.75" Washer	93600077	93600077	93600077	93600077	4	0.04 [0.02]
19	.50"-13 Nut	93400136	93400136	93400136	93400136	2	0.40 [0.18]
20*	Pivot Bushing	90008139	90008139	90008139	90008139	1	4.68 [2.12]
21*	Axle Bushing	90008149	90008149	90008149	90008149	2	2.50 [1.13]

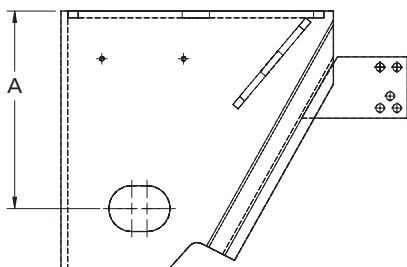
* Replacement components should be purchased in bushing connection SRK kits listed below.

Pivot Connection Kits

DESCRIPTION	SRK NO.	PART NUMBER	APPLICATION	WEIGHT LBS [KG]
2 Welded Alignment	SRK-524	48100388	1 Kit Req. per Axle	N/A

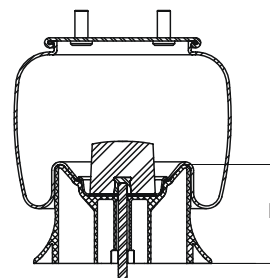
Axle Connection Kit

SRK NO.	PART NUMBER	APPLICATION	WEIGHT LBS [KG]
SRK-265	48100328	1 Kit Req. per Axle	27.40 [12.43]



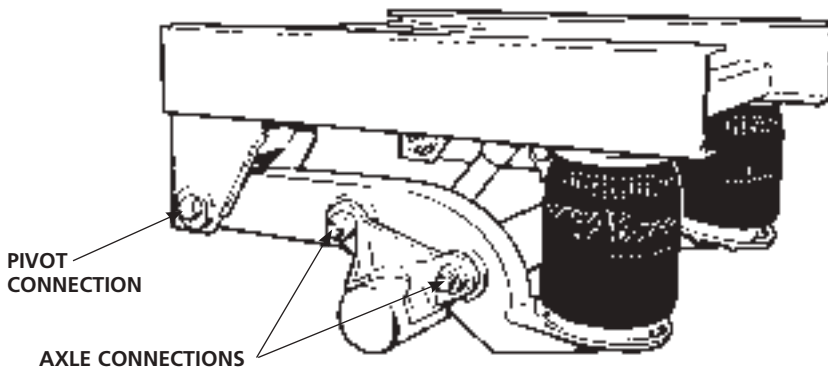
Frame Bracket

"A" DIM	PART NUMBER	WEIGHT LBS [KG]
7.25"	90521144	20.50 [9.30]
8.25"	90521145	22.90 [10.39]
10.59"	90521146	28.00 [12.70]



Air Spring

"B" DIM	PART NUMBER	WEIGHT LBS [KG]
5.50"	90557111	22.00 [9.98]



When servicing your RL Series suspension, use the convenient service repair kits noted below; for kit contents, see following pages.

Descriptions are found below and below the parts list for each suspension.

NOTE: Bushing connection kits and frame bracket replacement kits should be purchased as SRKs listed here (detailed component listings are on following pages).

PIVOT AND AXLE CONNECTION SERVICE REPAIR KIT CHART

Model 228 or 230 Pivot Connection - EZ and Welded Alignments

BOLT TYPE 1055 / 1069	DESCRIPTION	PART NUMBER	HOLLAND SRK	WEIGHT LBS. [KG]
1055	2 Welded Alignment	48100264	SRK-203	15.00 [6.80]
1055	1 EZ-Alignment / 1 Welded Alignment	48100384	SRK-520	40.00 [18.14]
	2 EZ-Alignment	48100385	SRK-521	20.00 [9.07]
1069	1 EZ-Alignment / 1 Welded Alignment	48100389	SRK-525	17.24 [7.82]
1069	2 Welded Alignment	48100319	SRK-456	17.00 [7.71]

Model 228 or 230 Axle Connection - 2-Piece Adapter

BOLT TYPE	DESCRIPTION	PART NUMBER	HOLLAND SRK	WEIGHT LBS. [KG]
1051	2-Piece Adapter	48100328	SRK-265	27.40 [12.43]
1051	1-Piece Adapter	48100206	SRK-149	32.28 [14.64]

Model 250 Pivot Connection - EZ and Welded Alignments

BOLT TYPE 1055 / 1069	DESCRIPTION	PART NUMBER	HOLLAND SRK	WEIGHT LBS. [KG]
1069	2 Welded Alignment	48100388	SRK-524	N/A
1069	1 EZ-Alignment / 1 Welded Alignment	48100383	SRK-519	21.82 [9.90]
	2 EZ-Alignment	48100386	SRK-522	24.62 [11.17]
1055	1 EZ-Alignment / 1 Welded Alignment	48100387	SRK-523	21.32 [9.67]

Model 250 Axle Connection - 1- and 2-Piece Adapters

BOLT TYPE	DESCRIPTION	PART NUMBER	HOLLAND SRK	WEIGHT LBS. [KG]
1051	2-Piece Adapter	48100328	SRK-265	27.40 [12.43]
1051	1-Piece Adapter	48100206	SRK-149	32.28 [14.64]

Model 300 Pivot Connection - Welded Alignments

BOLT TYPE 1055 / 1069	DESCRIPTION	PART NUMBER	HOLLAND SRK	WEIGHT LBS. [KG]
1069	2 Welded Alignment	48100388	SRK-524	N/A

Model 300 Axle Connection - 1-Piece Adapter

BOLT TYPE	DESCRIPTION	PART NUMBER	HOLLAND SRK	WEIGHT LBS. [KG]
1051	1-Piece Adapter	48100206	SRK-149	32.28 [14.64]

PIVOT AND AXLE CONNECTION REPLACEMENT KIT CHARTS

IMPORTANT: Welded Alignment frame brackets **MUST** be replaced with EZ-Align (non-welded) frame brackets.

SRK-149 - Axle 48100206

DESCRIPTION	PART NUMBER	QTY	WEIGHT LBS. [KG]
Bolt, Hex, 1.12"-7 X 8.75" Gr 8	93201051	4	2.80 [1.27]
Nut Hex Lock 1.13"-7 GR C	93400506	4	0.38 [0.17]
Bushing	90008149	4	2.50 [1.13]
Washer Spacer	90036175	8	0.36 [0.16]
Washer Flat 1.141"	90036177	8	0.80 [0.36]
Literature Instruction	94100509	1	N/A

SRK-203 - Pivot 48100264

DESCRIPTION	PART NUMBER	QTY	WEIGHT LBS. [KG]
Bolt Hex 1.13"-7 x 9.5" GR 8	93201055	2	2.92 [1.32]
Nut Hex Lock 1.13"-7 GR C	93400506	2	0.38 [0.17]
Bushing	90008149	2	2.50 [1.13]
Washer Flat 1.141"	90036177	4	0.80 [0.36]
Literature Instructions	XL-AR453	1	N/A

SRK-457 - Axle 48100320

DESCRIPTION	PART NUMBER	QTY	WEIGHT LBS. [KG]
Bolt, Hex, 1.12"-7 X 8.75" Gr 8	93201051	4	2.80 [1.27]
Nut Hex Lock 1.13"-7 GR C	93400506	4	0.38 [0.17]
Bushing	90008149	4	2.50 [1.13]
Washer	90036217	8	0.53 [0.24]
Literature Instructions	XL-AR453	1	N/A

SRK-456 - Pivot* 48100319

DESCRIPTION	PART NUMBER	QTY	WEIGHT LBS. [KG]
Bolt Hex 1.12"-7 x 8.5" GR 8	93201069	2	2.90 [1.32]
Nut Hex Lock 1.13"-7 GR C	93400506	2	0.38 [0.17]
Bushing	90008149	2	2.50 [1.13]
Washer Flat 1.141"	90036177	4	0.80 [0.36]
Alignment Bushing	90008198	4	0.61 [0.27]
Literature Instructions	XL-AR453	1	N/A
Decal, Torque Specification	XL-AR355	1	N/A

*Both alignment bushings are weldable adjustable.

SRK-519 - Pivot 48100383

DESCRIPTION	PART NUMBER	QTY	WEIGHT LBS. [KG]
Bolt Hex 1.12"-7 x 8.5" GR 8	93201069	1	2.90 [1.32]
Nut Hex Lock 1.13"-7 GR C	93400506	2	0.38 [0.17]
Bushing	90008139	2	4.68 [2.12]
Washer Flat 1.141"	90036177	4	0.80 [0.36]
Alignment Block	90508019	1	3.98 [1.81]
Alignment Block Non Weld	90008238	1	1.10 [0.50]
Welded Axle Alignment Ins; EZ-Align Axle Alignment Ins.	XL-AR354	1	N/A
Decal, Torque Specification	XL-AR355	1	N/A

SRK-520 - Pivot 48100384

DESCRIPTION	PART NUMBER	QTY	WEIGHT LBS. [KG]
Bolt Hex 1.13"-7 x 9.5" GR 8	93201055	1	2.92 [1.32]
Nut Hex Lock 1.13"-7 GR C	93400506	2	0.38 [0.17]
Bushing	90008149	2	2.50 [1.13]
Washer Flat 1.141"	90036177	4	0.80 [0.36]
Alignment Block	90508019	1	3.98 [1.81]
Alignment Block Non Weld	90008238	1	1.10 [0.50]
Welded Axle Alignment Ins; EZ-Align Axle Alignment Ins.	XL-AR354	1	N/A
Decal, Torque Specification	XL-AR355	1	N/A

SRK-521 - Pivot 48100385

DESCRIPTION	PART NUMBER	QTY	WEIGHT LBS. [KG]
Bushing	90008149	2	2.50 [1.13]
Washer Flat 1.141"	90036177	4	0.80 [0.36]
Alignment Block	90508019	2	3.98 [1.81]
Alignment Block Non Weld	90008238	2	1.10 [0.50]
Nut Hex Lock 1.13"-7 GR C	93400506	2	0.38 [0.17]
Decal, Torque Specification	XL-AR355	1	N/A

SRK-522 - Pivot 48100386

DESCRIPTION	PART NUMBER	QTY	WEIGHT LBS. [KG]
Bushing	90008139	2	4.68 [2.12]
Washer Flat 1.141"	90036177	4	0.80 [0.36]
Alignment Block	90508019	2	3.98 [1.81]
Alignment Block Non Weld	90008238	2	1.10 [0.50]
Nut Hex Lock 1.13"-7 GR C	93400506	2	0.38 [0.17]
Welded Axle Alignment Ins; EZ-Align Axle Alignment Ins.	XL-AR354	1	N/A
Decal, Torque Specification	XL-AR355	1	N/A

SRK-523 - Pivot 48100387

DESCRIPTION	PART NUMBER	QTY	WEIGHT LBS. [KG]
Bushing	90008139	2	4.68 [2.12]
Washer Flat 1.141"	90036177	4	0.80 [0.36]
Alignment Block	90508019	1	3.98 [1.81]
Alignment Block Non Weld	90008238	1	1.10 [0.50]
Nut Hex Lock 1.13"-7 GR C	93400506	2	0.38 [0.17]
Bolt Hex 1.13"-7 x 9.5" GR 8	93201055	1	2.92 [1.32]
Welded Axle Alignment Ins; EZ-Align Axle Alignment Ins.	XL-AR354	1	N/A
Decal, Torque Specification	XL-AR355	1	N/A

SRK-524 - Pivot 48100388

DESCRIPTION	PART NUMBER	QTY	WEIGHT LBS. [KG]
Bushing	90008139	2	4.68 [2.12]
Washer Flat 1.141"	90036177	4	0.80 [0.36]
Bolt Hex 1.12"-7 x 8.5" GR 8	93201069	2	2.90 [1.32]
Nut Hex Lock 1.13"-7 GR C	93400506	2	0.38 [0.17]
Literature Instructions	XL-AR453	1	N/A

PIVOT AND AXLE CONNECTION REPLACEMENT KIT CHARTS *continued*

IMPORTANT: Welded Alignment frame brackets **MUST** be replaced with EZ-Align (non-welded) frame brackets.

SRK-525 - Pivot

48100389

DESCRIPTION	PART NUMBER	QTY	WEIGHT LBS. [KG]
Bolt Hex 1.12"-7 x 8.5" GR 8	93201069	1	2.90 [1.32]
Nut Hex Lock 1.13"-7 GR C	93400506	2	0.38 [0.17]
Bushing	90008149	2	2.50 [1.13]
Washer Flat 1.141"	90036177	4	0.80 [0.36]
Alignment Block	90508019	1	3.98 [1.81]
Alignment Block Non Weld	90008238	1	1.10 [0.50]
Literature Instructions	XL-AR453	1	N/A
Decal, Torque Specification	XL-AR355	1	N/A

RL-228 PIVOT AND AXLE CONNECTION REPLACEMENT KIT CHARTS

SRK-145 - Pivot

48100202

DESCRIPTION	PART NUMBER	QTY	WEIGHT LBS. [KG]
Bolt Hex 1.13"-7 x 9.5" GR 8	93201055	2	2.92 [1.32]
Nut Hex Lock 1.13"-7 GR C	93400506	2	0.38 [0.17]
Bushing	90008139	2	4.68 [2.12]
Washer Flat 1.141"	90036177	4	0.80 [0.36]
Pivot Connection Instructions	XL-AK406	1	N/A
Decal, Torque Specifications	XL-AR355	1	N/A

SRK-229 - Axle

48100291

DESCRIPTION	PART NUMBER	QTY	WEIGHT LBS. [KG]
Bolt, Hex, 1.12"-7 X 8.75" Gr 8	93201051	2	2.80 [1.27]
Nut Hex Lock 1.13"-7 GR C	93400506	2	0.38 [0.17]
Washer Flat 1.141"	90036177	4	0.80 [0.36]
Adapter, Axle, LH	90501329	1	12.50 [5.67]
Adapter, Axle, RH	90001341	1	11.90 [5.40]
Literature Instructions	XL-AR445	1	N/A

SRK-203 - Pivot

48100264

DESCRIPTION	PART NUMBER	QTY	WEIGHT LBS. [KG]
Bolt Hex 1.13"-7 x 9.5" GR 8	93201055	2	2.92 [1.32]
Nut Hex 1.13"-7 GR C	93400506	2	0.38 [0.17]
Bushing	90008149	2	2.50 [1.13]
Washer Flat 1.141"	90036177	4	0.80 [0.36]
Literature Instructions	XL-AR453	1	N/A

SRK-230 - Axle

48100292

DESCRIPTION	PART NUMBER	QTY	WEIGHT LBS. [KG]
Bolt, Hex, 1.12"-7 X 8.75" Gr 8	93201051	2	2.80 [1.27]
Nut Hex Lock 1.13"-7 GR C	93400506	2	0.38 [0.17]
Washer Flat 1.141"	90036177	4	0.80 [0.36]
Adapter, Axle, RH	90501330	1	12.50 [5.67]
Adapter, Axle, RH	90001340	1	11.75 [5.33]
Literature Instructions	XL-AR445	1	N/A

SRK-227 - Pivot

48100289

DESCRIPTION	PART NUMBER	QTY	WEIGHT LBS. [KG]
Bolt Hex 1.13"-7 x 9.53" GR 8	93201055	1	2.92 [1.32]
Nut Hex Lock 1.13"-7 GR C	93400506	2	0.38 [0.17]
Bushing	90008149	2	2.50 [1.13]
Washer Flat 1.141"	90036177	4	0.80 [0.36]
Alignment Block	90508019	1	3.98 [1.81]
Alignment Block Non Weld	90008238	1	1.10 [0.50]
Literature Instructions	XL-AR453	1	N/A

SRK-266 - Pivot

48100329

DESCRIPTION	PART NUMBER	QTY	WEIGHT LBS. [KG]
Bolt Hex 1.12"-7 x 8.5" GR 8	93201069	1	2.90 [1.32]
Nut Hex Lock 1.13"-7 GR C	93400506	2	0.38 [0.17]
Bushing	90008149	2	2.50 [1.13]
Washer Flat 1.141"	90036177	4	0.80 [0.36]
Alignment Block	90508019	1	3.98 [1.81]
Alignment Block Non Weld	90008238	1	1.10 [0.50]
Alignment Bushing	90008198	2	0.61 [0.27]
Literature Instructions	XL-AR453	1	N/A

FRAME BRACKET REPLACEMENT KIT CHARTS

IMPORTANT: Welded Alignment frame brackets **MUST** be replaced with EZ-Align (non-welded) frame brackets.

RL-230-12 SRK-543 48100407

DESCRIPTION	PART NUMBER	QTY	WEIGHT LBS. [KG]
Frame Bracket Assy EZ-Align	90520859	1	46.00 [20.87]
Alignment Block Assy	90508019	1	3.98 [1.81]
Nut, Hex Lock 1.13" - 7 GR-C	93400506	1	0.38 [0.17]
Washer	90036177	2	0.80 [0.36]
Alignment Block	90008238	1	1.10 [0.50]
Angle Brace	90025157	2	1.64 [0.74]

RL-230-14 SRK-544 48100408

DESCRIPTION	PART NUMBER	QTY	WEIGHT LBS. [KG]
Frame Bracket Assy EZ-Align	90521147	1	21.20 [9.62]
Alignment Block Assy	90508019	1	3.98 [1.81]
Nut, Hex Lock 1.13" - 7 GR-C	93400506	1	0.38 [0.17]
Washer	90036177	2	0.80 [0.36]
Alignment Block	90008238	1	1.10 [0.50]
Angle Brace	90025157	2	1.64 [0.74]

RL-230-15 SRK-545 48100409

DESCRIPTION	PART NUMBER	QTY	WEIGHT LBS. [KG]
Frame Bracket Assy EZ-Align	90521148	1	23.60 [10.70]
Alignment Block Assy	90508019	1	3.98 [1.81]
Nut, Hex Lock 1.13" - 7 GR-C	93400506	1	0.38 [0.17]
Washer	90036177	2	0.80 [0.36]
Alignment Block	90008238	1	1.10 [0.50]
Angle Brace	90025157	2	1.64 [0.74]

RL-230-16, -17 SRK-546 48100410

DESCRIPTION	PART NUMBER	QTY	WEIGHT LBS. [KG]
Frame Bracket Assy EZ-Align	90521149	1	28.60 [12.97]
Alignment Block Assy	90508019	1	3.98 [1.81]
Nut, Hex Lock 1.13" - 7 GR-C	93400506	1	0.38 [0.17]
Washer	90036177	2	0.80 [0.36]
Alignment Block	90008238	1	1.10 [0.50]
Angle Brace	90023002	2	2.20 [1.00]

RL-230-14-HMS SRK-547 48100411

DESCRIPTION	PART NUMBER	QTY	WEIGHT LBS. [KG]
Frame Bracket Assy EZ-Align, roadside	90521325	1	26.40 [11.97]
Alignment Block Assy	90508019	1	3.98 [1.81]
Nut, Hex Lock 1.13" - 7 GR-C	93400506	1	0.38 [0.17]
Washer	90036177	2	0.80 [0.36]
Alignment Block	90008238	1	1.10 [0.50]
Angle Brace	90025157	1	1.64 [0.74]

RL-230-14-HMS SRK-548 48100412

DESCRIPTION	PART NUMBER	QTY	WEIGHT LBS. [KG]
Frame Bracket Assy EZ-Align, curbside	90521326	1	26.20 [11.88]
Alignment Block Assy	90508019	1	3.98 [1.81]
Nut, Hex Lock 1.13" - 7 GR-C	93400506	1	0.38 [0.17]
Washer	90036177	2	0.80 [0.36]
Alignment Block	90008238	1	1.10 [0.50]
Angle Brace	90025157	1	1.64 [0.74]

RL-230-15 SRK-549 48100413

DESCRIPTION	PART NUMBER	QTY	WEIGHT LBS. [KG]
Frame Bracket Assy EZ-Align, roadside	90521327	1	27.70 [12.56]
Alignment Block Assy	90508019	1	3.98 [1.81]
Nut, Hex Lock 1.13" - 7 GR-C	93400506	1	0.38 [0.17]
Washer	90036177	2	0.80 [0.36]
Alignment Block	90008238	1	1.10 [0.50]
Angle Brace	90025157	1	1.64 [0.74]

RL-230-15-HMS SRK-550 48100414

DESCRIPTION	PART NUMBER	QTY	WEIGHT LBS. [KG]
Frame Bracket Assy EZ-Align, curbside	90521328	1	27.50 [12.47]
Alignment Block Assy	90508019	1	3.98 [1.81]
Nut, Hex Lock 1.13" - 7 GR-C	93400506	1	0.38 [0.17]
Washer	90036177	2	0.80 [0.36]
Alignment Block	90008238	1	1.10 [0.50]
Angle Brace	90025157	1	1.64 [0.74]

RL-230-16, -17, -HMS SRK-551 48100415

DESCRIPTION	PART NUMBER	QTY	WEIGHT LBS. [KG]
Frame Bracket Assy EZ-Align, roadside	90521377	1	32.20 [14.61]
Alignment Block Assy	90508019	1	3.98 [1.81]
Nut, Hex Lock 1.13" - 7 GR-C	93400506	1	0.38 [0.17]
Washer	90036177	2	0.80 [0.36]
Alignment Block	90008238	1	1.10 [0.50]
Angle Brace	90025157	1	1.64 [0.74]

RL-230-16, -17, -HMS SRK-552 48100416

DESCRIPTION	PART NUMBER	QTY	WEIGHT LBS. [KG]
Frame Bracket Assy EZ-Align, curbside	90521378	1	32.00 [14.51]
Alignment Block Assy	90508019	1	3.98 [1.81]
Nut, Hex Lock 1.13" - 7 GR-C	93400506	1	0.38 [0.17]
Washer	90036177	2	0.80 [0.36]
Alignment Block	90008238	1	1.10 [0.50]
Angle Brace	90023002	1	2.20 [1.00]

FRAME BRACKET REPLACEMENT KIT CHARTS *continued*

IMPORTANT: Welded Alignment frame brackets **MUST** be replaced with EZ-Align (non-welded) frame brackets.

RL-250-14, -15 SRK-553 48100417

DESCRIPTION	PART NUMBER	QTY	WEIGHT LBS. [KG]
Frame Bracket Assy EZ-Align	90521151	1	24.10 [10.93]
Alignment Block Assy	90508019	1	3.98 [1.81]
Nut, Hex Lock 1.13" - 7 GR-C	93400506	1	0.38 [0.17]
Washer	90036177	2	0.80 [0.36]
Alignment Block	90008238	1	1.10 [0.50]
Angle Brace	90023002	2	2.20 [1.00]

RL-300-14 SRK-556 48100420

DESCRIPTION	PART NUMBER	QTY	WEIGHT LBS. [KG]
Frame Bracket Assy Welded Alignment	90521144	1	20.50 [9.30]
Alignment Block	90008198	2	0.61 [0.27]
Nut, Hex Lock 1.13" - 7 GR-C	93400506	1	0.38 [0.17]
Washer	90036177	2	0.80 [0.36]
Angle Brace	90023002	2	2.20 [1.00]
Pivot Bolt 1.13"-7	93201069	1	2.90 [1.32]

RL-250-16, -17 SRK-554 48100418

DESCRIPTION	PART NUMBER	QTY	WEIGHT LBS. [KG]
Frame Bracket Assy EZ-Align	90521152	1	29.10 [13.20]
Alignment Block Assy	90508019	1	3.98 [1.81]
Nut, Hex Lock 1.13" - 7 GR-C	93400506	1	0.38 [0.17]
Washer	90036177	2	0.80 [0.36]
Alignment Block	90008238	1	1.10 [0.50]
Angle Brace	90023001	2	3.84 [1.74]

RL-300-15 SRK-557 48100421

DESCRIPTION	PART NUMBER	QTY	WEIGHT LBS. [KG]
Frame Bracket Assy Welded Alignment	90521145	1	22.90 [10.39]
Alignment Block	90008198	2	0.61 [0.27]
Nut, Hex Lock 1.13" - 7 GR-C	93400506	1	0.38 [0.17]
Washer	90036177	2	0.80 [0.36]
Angle Brace	90023002	2	2.20 [1.00]
Pivot Bolt 1.13"-7	93201069	1	2.90 [1.32]

RL-300-12, -13 SRK-555 48100419

DESCRIPTION	PART NUMBER	QTY	WEIGHT LBS. [KG]
Frame Bracket Assy Welded Alignment	90520383	1	12.80 [5.81]
Alignment Block	90008147	2	1.50 [0.68]
Nut, Hex Lock 1.13" - 7 GR-C	93400506	1	0.38 [0.17]
Washer	90036177	2	0.80 [0.36]
Angle Brace	90025157	2	1.64 [0.74]
Pivot Bolt 1.13"-7	93201069	1	2.90 [1.32]

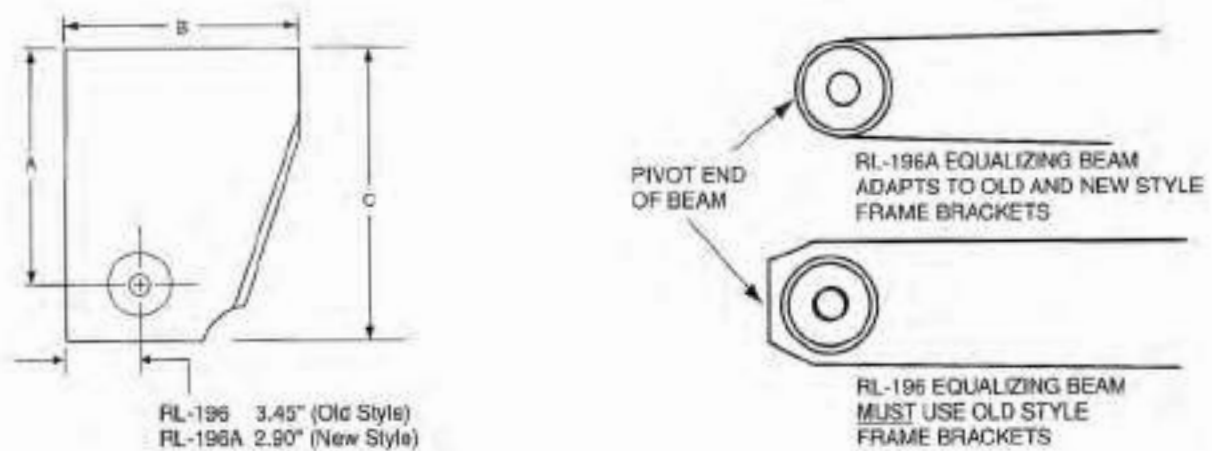
RL-300-16, -17 SRK-558 48100422

DESCRIPTION	PART NUMBER	QTY	WEIGHT LBS. [KG]
Frame Bracket Assy EZ-Align Welded Alignment	90521146	1	28.00 [12.70]
Alignment Block	90508198	2	N/A
Nut, Hex Lock 1.13" - 7 GR-C	93400506	1	0.38 [0.17]
Washer	90036177	2	0.80 [0.36]
Angle Brace	90023001	2	3.84 [1.74]
Pivot Bolt 1.13"-7	93201069	1	2.90 [1.32]

FRAME BRACKET PART NUMBER	TRAILER AIR MODEL	ALIGNMENT	A DIMENSION	B DIMENSION	C DIMENSION	WEIGHT LBS. [KG]
90520846	RL-228-12	Adjustable	5.25	8.50	7.50	9.00 [4.08]
90520859	RL-288-12	Non-Weld	5.10	8.50	7.35	46.00 [20.87]
90520568	RL-228-14	Adjustable	7.25	10.00	9.50	20.72 [9.40]
90520858	RL-228-14	Non-Weld	7.10	10.00	9.35	22.66 [10.28]
90520561	RL-228-15	Adjustable	8.25	10.00	10.50	23.00 [10.43]
90520856	RL-228-15	Non-Weld	8.10	10.00	10.35	24.69 [11.20]
90420439*	RL-228-16, 17	Non-Weld	10.06	10.00	12.31	N/A
90520340*	RL-228-16, 17	Adjustable	10.25	10.00	12.50	14.00 [6.35]
90520843	RL-228-16, 17	Adjustable	10.59	10.00	12.84	27.00 [12.25]
90520857	RL-228-16, 17	Non-Weld	10.40	10.00	12.65	30.00 [13.61]

* For suspensions manufactured prior to January 1, 1996.

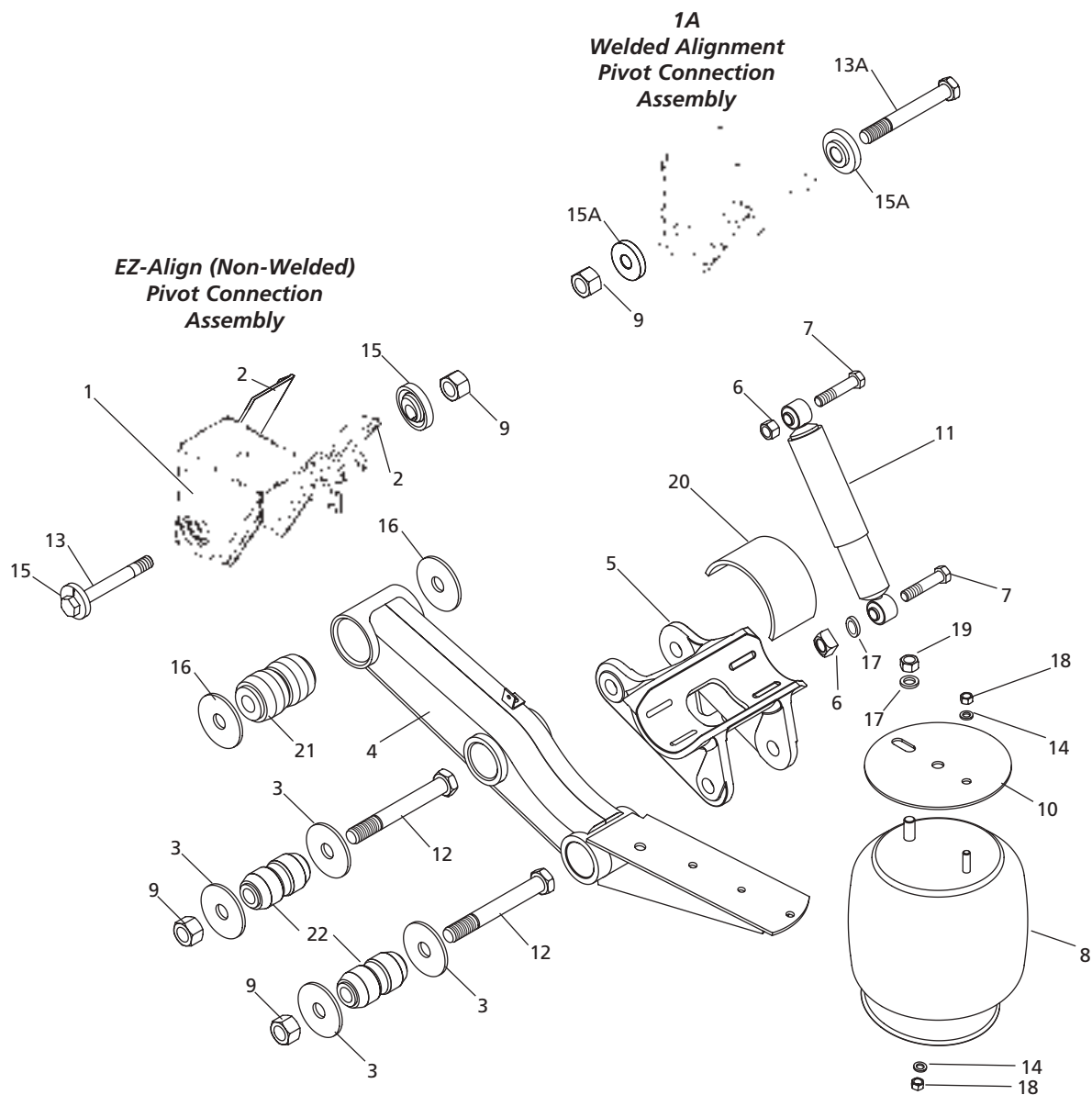
** For suspensions manufactured prior to February 1, 1996.



FRAME BRACKET PART NUMBER	TRAILER AIR MODEL	ALIGNMENT	A DIMENSION	B DIMENSION	C DIMENSION	WEIGHT LBS. [KG]
90520441	RL-196-12	Non-Weld	5.10	8.50	7.35	N/A
90520367	RL-196-12	Adjustable	5.25	8.50	7.50	N/A
90520440	RL-196-14	Non-Weld	7.10	10.00	9.35	N/A
90520363	RL-196-14	Adjustable	7.25	10.00	9.50	21.00 [9.53]
90520338	RL-196-15	Adjustable	8.44	10.00	10.69	24.00 [10.89]
90520438	RL-196-15	Non-Weld	8.29	10.00	10.54	N/A
90520340	RL-196-16, 17	Adjustable	10.44	10.00	12.69	14.00 [6.35]
90520439	RL-196-16, 17	Non-Weld	10.29	10.00	12.54	N/A
90520846	RL-196A-12	Adjustable	5.25	8.50	7.50	9.00 [4.08]
90520859	RL-196A-12	Non-Weld	5.10	8.50	7.35	46.00 [20.87]
90520568	RL-196A-14	Adjustable	7.25	10.00	9.50	20.72 [9.40]
90520858	RL-196A-14	Non-Weld	7.10	10.00	9.35	22.66 [10.28]
90520856	RL-196A-15	Non-Weld	8.10 - 8.29	10.00	10.35 - 10.54	24.69 [11.20]
90520561	RL-196A-15	Adjustable	8.25 - 8.44	10.00	10.50 - 10.69	23.00 [10.43]
90520857	RL-196A-16, 17	Non-Weld	10.25 - 10.44	10.00	12.50 - 12.69	30.00 [13.61]
90520843	RL-196A-16, 17	Adjustable	10.44 - 10.59	10.00	12.69 - 12.84	27.00 [12.25]

RLU-228 Suspension Exploded View (3" Axle Travel Up)

IMPORTANT: To ensure proper part number identification before placing order, visually check component to be replaced for part number. If part number cannot be identified or confirmed, contact Holland technical service for assistance - 800.876.3929.



ITEM	DESCRIPTION	RLU-228-6-3	RLU-228-7-3	RLU-228-8-3	RLU-228-9-3	RLU-228-10-3	RLU-228-12-3	QTY.	APPROX. WEIGHT LBS. [KG]
1	Frame Bracket (roadside EZ-Align HMS)	90521059	90521006	90521045	90521547	90521548	90521406	1	31.60 [14.33]
	Frame Bracket (curbside EZ-Align HMS)	90521162	90521158	90521159	90521550	-	-	1	31.60 [14.33]
1A	Frame Bracket (curbside Welded Alignment HMS)	90521558	-	-	90521541	90521542	90521414	1	34.50 [15.65]
	Frame Bracket (coped x-member EZ-Align)	90521486	90521552	90521553	90521553	-	-	1	30.90 [14.01]
	Frame Bracket (coped x-member)	90521488	90521543	90521544	90521544	-	-	1	34.50 [15.65]
2	Angle Brace	90025157	90023002	90023002	90023002	90023001	90023001	4	1.64 [0.74]
3	1.13" Spacer Washer (axle connection)	90036177	90036177	90036177	90036177	90036177	90036177	8	0.80 [0.36]
4	Suspension Sub-Assembly (HMS) (roadside)	90546057	90546057	90546057	90546057	90546057	90546057	1	115.00 [52.16]
	Equalizing Beam (roadside)	90516552	90516552	90516552	90516552	90516552	90516552	1	69.00 [31.30]
	Suspension Sub-Assembly (HMS) (curbside)	90546058	90546058	90546058	90546058	90546058	90546058	1	115.00 [52.16]
	Equalizing Beam (curbside)	90516553	90516553	90516553	90516553	90516553	90516553	1	63.00 [28.57]
5	Axle Adapter (roadside)	90501447	90501447	90501447	90501447	90501447	90501447	1	32.00 [14.51]
	Axle Adapter (curbside)	90501448	90501448	90501448	90501448	90501448	90501448	1	38.00 [17.23]
6	.75"-10 Hex Nut (upper shock lock nut)	93400492	93400492	93400492	93400492	93400492	93400492	2	0.13 [0.06]
	.75"-10 Hex Nut (upper shock lock nut)	93400553	-	-	-	-	-	2	0.07 [0.03]
	.75"-10 Square Nut (for lower shock bolt)	-	93400367	93400367	93400367	93400367	93400367	2	0.14 [0.06]
7	.75"-10x3.50" Bolt	93003597	93003597	93003597	93003597	93003597	93003597	2	0.52 [0.24]
	.75"-10x4" Bolt (lower shock bolt)	93003609	93003609	93003609	93003609	93003609	93003609	2	0.58 [0.26]
8	Air Spring	90557117	90557117	90557118	90557119	90521124	90557119	2	14.00 [6.35]
9	Nut, Hex Lock 1.13" - 7 GR-C	93400506	93400506	93400506	93400506	93400506	93400506	6	0.38 [0.17]
10	Air Spring Mtg Plate (ASMP)	90033785	90033785	90033785	90033785	90033785	90033785	2	4.10 [1.86]
11	Shock Absorber	90045298	90044162	90045040	90045054	90044642	90044642	2	4.85 [2.20]
12	Bolt, Hex, 1.12-7 X 8.75" Gr 8	93201051	93201051	93201051	93201051	93201051	93201051	4	2.80 [1.27]
13	1.13" Pivot Bolt Alignment Block Assy (EZ-Align)	90508019	90508019	90508019	90508019	90508019	90508019	1*	3.98 [1.81]
13A	1.13" Pivot Bolt (Welded Alignment)	93201055	93201069	93201069	93201069	93201069	93201069	1	2.92 [1.32]
14	.50" Lock Washer	93600072	93600072	93600072	93600072	93600072	93600072	4	0.02 [0.01]
15	Alignment Block (EZ-Align)	90008238	90008238	90008238	90008238	90008238	90008238	1*	1.10 [0.50]
15A	Alignment Block (Welded Alignment)	90008147	90008198	90008198	90008198	90008198	90008198	2	1.50 [0.68]
16	Pivot Washer, 1.14" dia.	93600177	93600177	93600177	93600177	93600177	93600177	4	N/A
17	.75" Lock Washer	93600077	93600077	93600077	93600077	93600077	93600077	4	0.04 [0.02]
18	.50"-13 Nut	93400136	93400136	93400136	93400136	93400136	93400136	4	0.40 [0.18]
19	.75"-16 Hex Nut (top of air spring)	93400149	93400149	93400149	93400149	93400149	93400149	2	0.12 [0.05]
20	Plate Wrapper	90025288	90025288	90025288	90025288	90025288	90025288	2	3.58 [1.62]
21*	Pivot Bushing	90008139	90008139	90008139	90008139	90008139	90008139	1	4.68 [2.12]
22*	Axle Bushing	90008149	90008149	90008149	90008149	90008149	90008149	2	2.50 [1.13]

* Replacement components should be purchased in bushing connection SRK kits listed below.

SRK-145 - Pivot

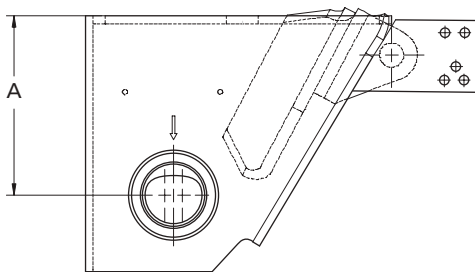
48100202

DESCRIPTION	PART NUMBER	QTY.	WEIGHT LBS. [KG]
Bolt Hex 1.13"-7 x 9.5" GR 8	93201055	2	2.92 [1.32]
Nut Hex Lock 1.13"-7 GR C	93400506	2	0.38 [0.17]
Bushing	90008139	2	4.68 [2.12]
Washer Flat 1.141"	90036177	4	0.80 [0.36]
Pivot Connection Instructions	XL-AK406	1	N/A
Decal, Torque Specifications	XL-AR355	1	N/A

SRK-149 - Axle

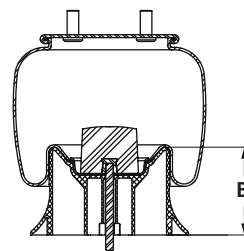
48100206

DESCRIPTION	PART NUMBER	QTY.	WEIGHT LBS. [KG]
Bolt, Hex, 1.12-7 X 8.75" Gr 8	93201051	4	2.80 [1.27]
Nut Hex Lock 1.13"-7 GR C	93400506	4	0.38 [0.17]
Bushing	90008149	4	2.50 [1.13]
Washer Spacer	90036175	8	0.36 [0.16]
Washer Flat 1.141"	90036177	8	0.80 [0.36]
Literature Instruction	94100509	1	N/A



Frame Bracket

"A" DIM	PART NUMBER	WEIGHT LBS. [KG]
5.66"	90521059	23.00 [10.43]
7.10"	90521006	29.80 [13.51]
8.06"	90521547	30.90 [14.02]
8.10"	90521045	31.60 [14.33]
10.44"	90521548	35.90 [16.28]
11.10"	90521406	37.00 [16.78]

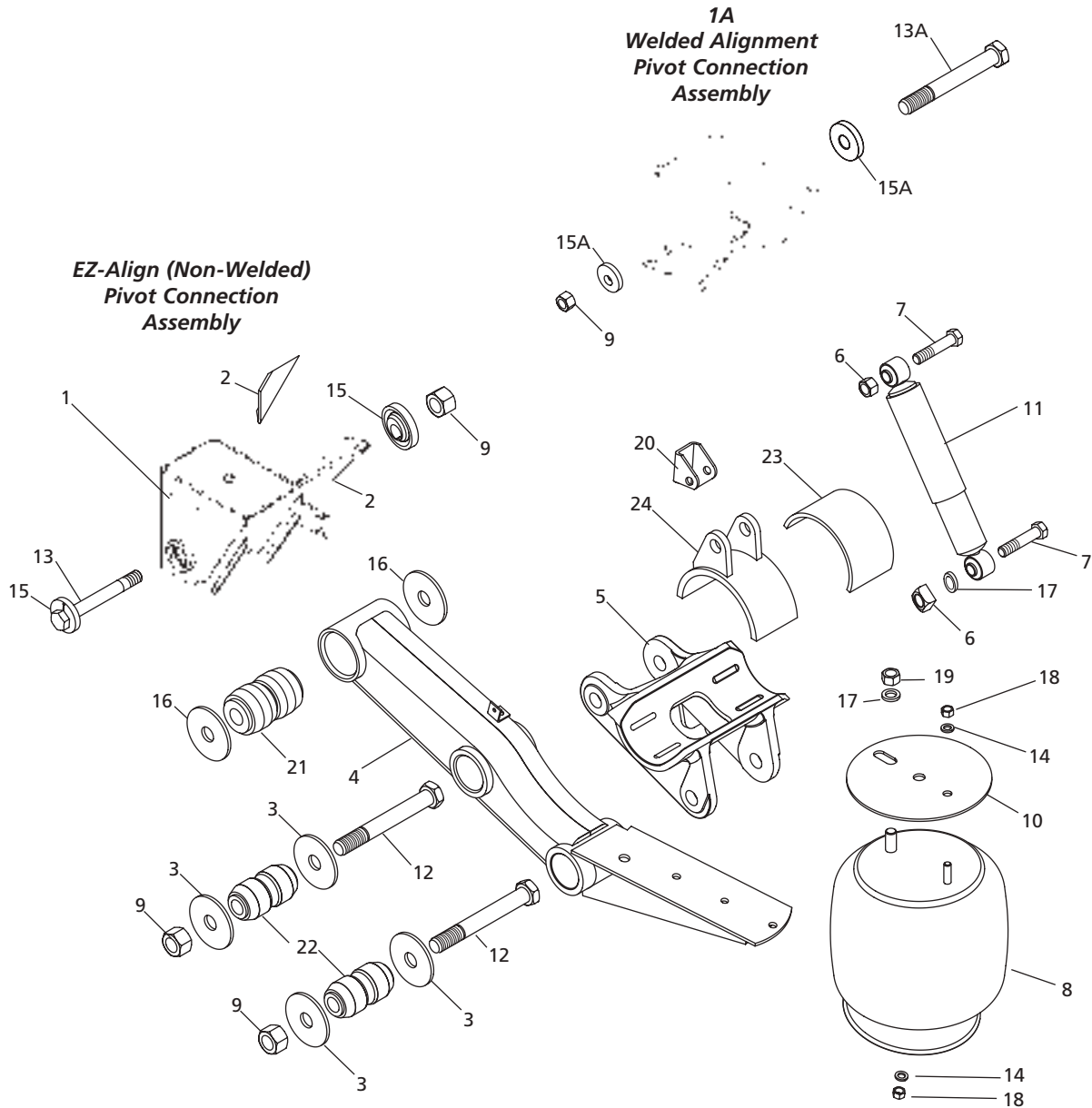


Air Spring

"B" DIM	PART NUMBER	WEIGHT LBS. [KG]
4.75"	90557117	14.00 [6.35]
5.70"	90557118	14.00 [6.35]
7.40"	90557119	15.00 [6.80]
7.57"	90557124	15.50 [7.03]

RLU-228-3 (Formerly ARU-93) Suspension Exploded View

IMPORTANT: RLU-228-3 Series Suspension components were previously known as suspension model ARU-93; the alignment collar is 3.50" in diameter. To ensure proper part number identification before placing order, visually check component to be replaced for part number. If part number cannot be identified or confirmed, contact Holland technical service for assistance - 800.876.3929.



ITEM	DESCRIPTION	RLU-228-6-3	RLU-228-7-3	RLU-228-8-3	RLU-228-9-3	RLU-228-10-3	QTY.	APPROX. WEIGHT LBS. [KG]
1	Frame Bracket (roadside - Welded Adj. Alignment)	90521564	90520346	90519710	90519710	90521149	1	23.80 [10.80]
	Frame Bracket (curbside - Welded Alignment)	90521561	-	-	-	-	1	N/A
	Frame Bracket (roadside EZ-Align HMS)	-	90521546	-	90521547	-	1*	30.90 [14.02]
	Frame Bracket (curbside EZ-Align HMS)	-	-	-	-	-	1	N/A
	Frame Bracket (curbside Welded Alignment HMS)	-	90521540	-	90521541	-	1	34.50 [15.65]
2	Angle Brace	90025157	90023002	90023002	90023002	90023002	4	1.64 [0.74]
3	1.13" Spacer Washer (axle connection)	90036177	90036177	90036177	90036177	90036177	8	0.80 [0.36]
4	Suspension Sub-Assembly (HMS) (roadside)	-	90546057	90546057	90546057	90546057	1	115.00 [52.16]
	Equalizing Beam (roadside)	90516552	90516552	90516552	90516552	90516552	1	69.00 [31.30]
	Suspension Sub-Assembly (HMS) (curbside)	-	90546058	90546058	90546058	90546058	1	115.00 [52.16]
	Equalizing Beam (curbside)	90516553	90516553	90516553	90516553	90516553	1	63.00 [28.57]
5	Axle Adapter (roadside)	90501447	90501447	90501447	90501447	90501447	1	32.00 [14.51]
	Axle Adapter (curbside)	90501448	90501448	90501448	90501448	90501448	1	38.00 [17.23]
6	.75"-10 Hex Nut (upper shock lock nut)	93400492	93400492	93400492	93400492	93400492	2	0.13 [0.06]
	.75"-10 Square Nut (for lower shock bolt)	93400367	93400367	93400367	93400367	93400367	2	0.14 [0.06]
7	.75"-10x3.50" Bolt	93003597	93003597	93003597	93003597	93003597	2	0.52 [0.24]
	.75"-10x4" Bolt (lower shock bolt)	93003609	93003609	93003609	93003609	93003609	2	0.58 [0.26]
8	Air Spring	90557117	90557117	90557118	90557119	90557119	2	14.00 [6.35]
9	Nut, Hex Lock 1.13" - 7 GR-C	93400506	93400506	93400506	93400506	93400506	6	0.38 [0.17]
10	Air Spring Mtg Plate (ASMP)	90033785	90033785	90033785	90033785	90033785	2	4.10 [1.86]
11	Shock Absorber	90045040	90044642	90044626	90044626	90044089	2	8.15 [3.70]
12	Bolt, Hex, 1.12-7 X 8.75" Gr 8	93201051	93201051	93201051	93201051	93201051	4	2.80 [1.27]
13	1.13" Pivot Bolt Alignment Block Assy (EZ-Align)	-	90508019	-	90508019	-	1*	3.98 [1.81]
13A	1.13" Pivot Bolt (Welded Alignment)	93201055	93201055	93201055	93201055	93201055	1	2.92 [1.32]
14	.50" Lock Washer	93600072	93600072	93600072	93600072	93600072	4	0.02 [0.01]
15	Alignment Block (EZ-Align)	-	90008238	-	90008238	-	1*	1.10 [0.50]
15A	Alignment Block (Welded Alignment)	90008147	90008147	90008147	90008147	90008147	2	1.50 [0.68]
16	Pivot Washer, 1.14" dia.	93600177	93600177	93600177	93600177	93600177	4	N/A
17	.75" Lock Washer	93600077	93600077	93600077	93600077	93600077	4	0.04 [0.02]
18	.50"-13 Nut	93400136	93400136	93400136	93400136	93400136	4	0.40 [0.18]
19	.75"-16 Hex Nut (top of air spring)	93400149	93400149	93400149	93400149	93400149	2	0.12 [0.05]
20	Upper Shock Bracket	90519040	90519040	90519040	90519040	90018445	2	2.63 [1.19]
21*	Pivot Bushing	90008139	90008139	90008139	90008139	90008139	1	4.68 [2.12]
22*	Axle Bushing	90008149	90008149	90008149	90008149	90008149	2	2.50 [1.13]
23	Plate Wrapper	90025288	90025288	90025288	90025288	90025288	2	3.58 [1.62]
24	Lower Shock Assembly	90520276	90520276	90520276	90520276	90520276	2	3.50 [1.59]

* Replacement components should be purchased in bushing connection SRK kits listed below.

SRK-145 - Pivot

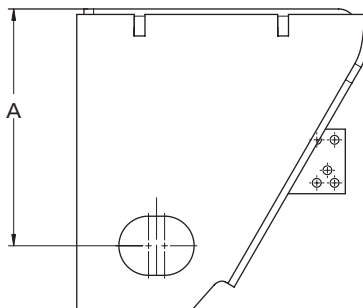
48100202

DESCRIPTION	PART NUMBER	QTY.	WEIGHT LBS. [KG]
Bolt Hex 1.13"-7 x 9.5" GR 8	93201055	2	2.92 [1.32]
Nut Hex Lock 1.13"-7 GR C	93400506	2	0.38 [0.17]
Bushing	90008139	2	4.68 [2.12]
Washer Flat 1.141"	90036177	4	0.80 [0.36]
Pivot Connection Instructions	XL-AK406	1	N/A
Decal, Torque Specifications	XL-AR355	1	N/A

SRK-149 - Axle

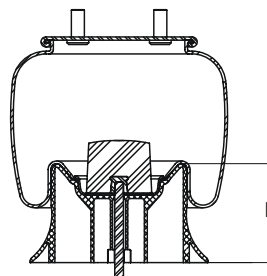
48100206

DESCRIPTION	PART NUMBER	QTY.	WEIGHT LBS. [KG]
Bolt, Hex, 1.12-7 X 8.75" Gr 8	93201051	4	2.80 [1.27]
Nut Hex Lock 1.13"-7 GR C	93400506	4	0.38 [0.17]
Bushing	90008149	4	2.50 [1.13]
Washer Spacer	90036175	8	0.36 [0.16]
Washer Flat 1.141"	90036177	8	0.80 [0.36]
Literature Instruction	94100509	1	N/A



Frame Bracket

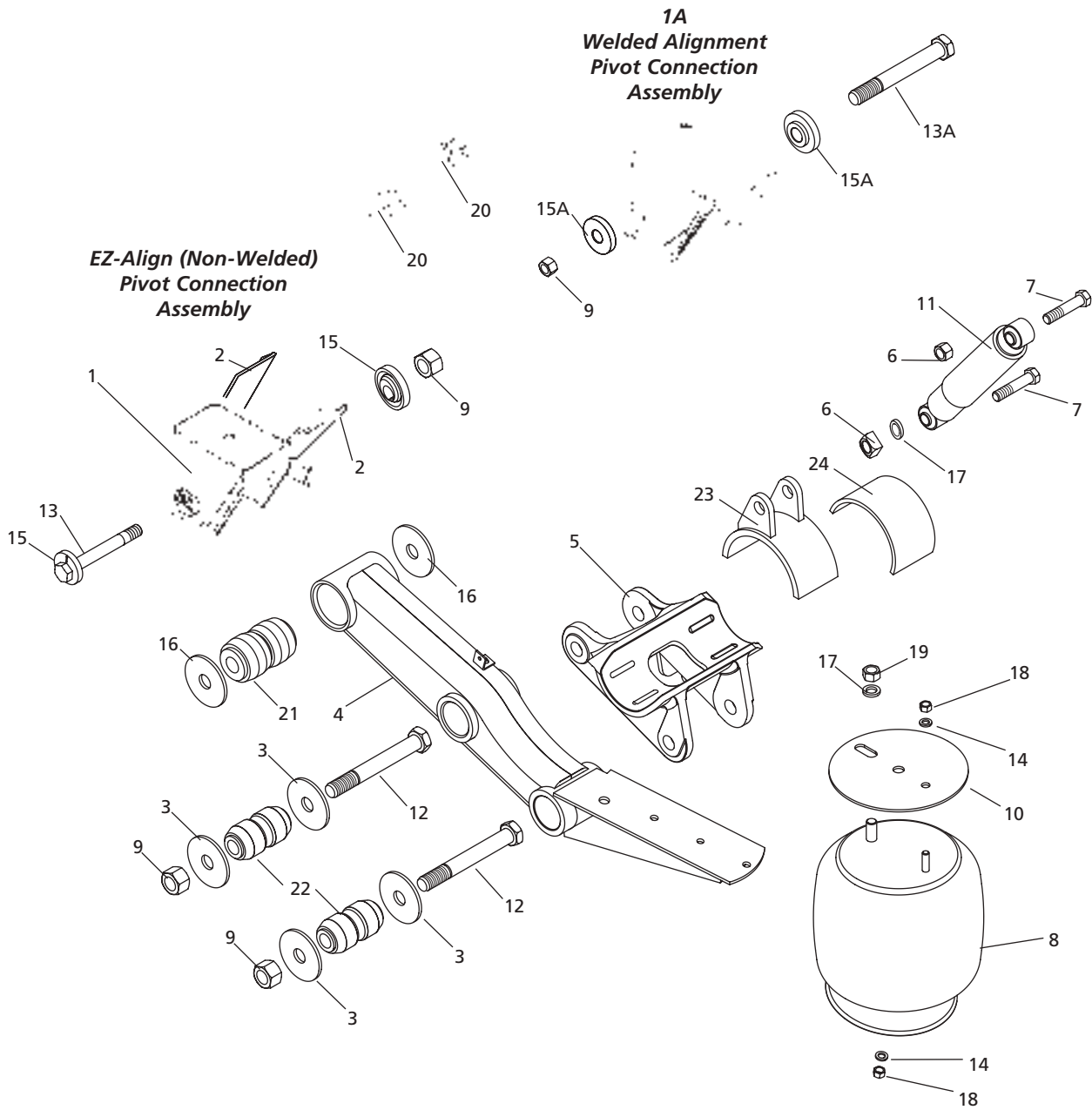
"A" DIM	PART NUMBER	WEIGHT LBS. [KG]
7.25"	90520346	21.40 [9.71]
8.25"	90519710	23.80 [10.80]



Air Spring

"B" DIM	PART NUMBER	WEIGHT LBS. [KG]
4.75"	90557117	14.00 [6.35]
5.70"	90557118	14.00 [6.35]
7.40"	90557119	15.00 [6.80]

RLU-228 Axle Mounted Shock (AMS) Suspension Exploded View



ITEM	DESCRIPTION	RLU-228-8-3	RLU-228-9-3	RLU-228-10-3	RLU-228-12-3	QTY.	APPROX. WEIGHT LBS. [KG]
1	Frame Bracket (roadside - Welded Alignment)	90520346	90519710	90520828	90519712	1	23.80 [10.80]
	Frame Bracket (curbside - Welded Alignment)	-	-	-	-	1	-
	Frame Bracket (roadside EZ-Align HMS)	-	-	-	-	1	-
	Frame Bracket (curbside EZ-Align HMS)	-	-	-	-	1	-
	Frame Bracket (curbside Welded Alignment HMS)	-	-	-	-	1	-
2	Angle Brace	90023002	90023002	90023001	90023001	4	3.84 [1.74]
3	1.13" Spacer Washer (axle connection)	90036177	90036177	90036177	90036177	8	0.80 [0.36]
4	Suspension Sub-Assembly (HMS) (roadside)	-	-	-	-	1	-
	Equalizing Beam (roadside)	90516579	90516579	90516579	90516579	1	N/A
	Suspension Sub-Assembly (HMS) (curbside)	-	-	-	-	1	-
	Equalizing Beam (curbside)	90516580	90516580	90516580	90516580	1	N/A
5	Axle Adapter (roadside)	90001200	90001200	90001200	90001200	1	34.23 [15.52]
	Axle Adapter (curbside)	90001200	90001200	90001200	90001200	1	34.23 [15.52]
6	.75"-10 Hex Nut (upper shock lock nut)	93400492	93400492	93400492	93400492	2	0.13 [0.06]
	.75"-10 Square Nut (for lower shock bolt)	-	-	-	-	2	-
7	.75"-10x3.50" Bolt	93003597	93003597	93003597	93003597	2	0.52 [0.24]
	.75"-10x4" Bolt (lower shock bolt)	-	-	-	-	2	-
8	Air Spring	90557117	90557112	90557112	90557126	2	14.00 [6.35]
9	Nut, Hex Lock 1.13" - 7 GR-C	93400506	93400506	93400506	93400506	6	0.38 [0.17]
10	Air Spring Mtg Plate (ASMP)	90033785	90033785	90033785	90033785	2	4.10 [1.86]
11	Shock Absorber	90044162	90044642	90044642	90044642	2	4.85 [2.20]
12	Bolt, Hex, 1.12-7 X 8.75" Gr 8	93201051	93201051	93201051	93201051	4	2.80 [1.27]
13	1.13" Pivot Bolt Alignment Block Assy (EZ-Align)	-	-	-	-	1	-
13A	1.13" Pivot Bolt (Welded Alignment)	93201055	93201055	93201055	93201055	1	2.92 [1.32]
14	.50" Lock Washer	93600072	93600072	93600072	93600072	4	0.02 [0.01]
15	Alignment Block (EZ-Align)	-	-	-	-	1	-
15A	Alignment Block (Welded Alignment)	90008147	90008147	90008147	90008147	2	1.50 [0.68]
16	Pivot Washer, 1.14" dia.	93600177	93600177	93600177	93600177	4	N/A
17	.75" Lock Washer	93600077	93600077	93600077	93600077	4	0.04 [0.02]
18	.50"-13 Nut	93400136	93400136	93400136	93400136	4	0.40 [0.18]
19	.75"-16 Hex Nut (top of air spring)	93400149	93400149	93400149	93400149	2	0.12 [0.05]
20	Upper Shock Bracket	90519040	90519040	90519040	90519040	2	1.42 [0.64]
21*	Pivot Bushing	90008139	90008139	90008139	90008139	1	4.68 [2.12]
22*	Axle Bushing	90008149	90008149	90008149	90008149	2	2.50 [1.13]
23	Axle Mount Shock Bracket	90520276	90520276	90520276	90520276	2	3.50 [1.59]
24	Plate Wrapper	90025288	90025288	90025288	90025288	2	3.58 [1.62]

* Replacement components should be purchased in bushing connection SRK kits listed below.

SRK-145 - Pivot

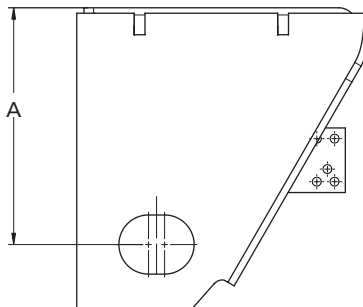
48100202

DESCRIPTION	PART NUMBER	QTY.	WEIGHT LBS. [KG]
Bolt Hex 1.13"-7 x 9.5" GR 8	93201055	2	2.92 [1.32]
Nut, Hex Lock 1.13" - 7 GR-C	93400506	2	0.38 [0.17]
Bushing	90008139	2	4.68 [2.12]
Washer Flat 1.141"	90036177	4	0.80 [0.36]
Pivot Connection Instructions	XL-AK406	1	N/A
Decal, Torque Specifications	XL-AR355	1	N/A

SRK-149 - Axle

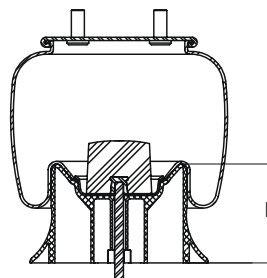
48100206

DESCRIPTION	PART NUMBER	QTY.	WEIGHT LBS. [KG]
Bolt, Hex, 1.12-7 X 8.75" Gr 8	93201051	4	2.80 [1.27]
Nut, Hex Lock 1.13" - 7 GR-C	93400506	4	0.38 [0.17]
Bushing	90008149	4	2.50 [1.13]
Washer Spacer	90036175	8	0.36 [0.16]
Washer Flat 1.141"	90036177	8	0.80 [0.36]
Literature Instruction	94100509	1	N/A



Frame Bracket

"A" DIM	PART NUMBER	WEIGHT LBS. [KG]
7.25"	90520346	21.40 [9.71]
8.25"	90519710	23.80 [10.80]
10.59"	90520828	28.80 [13.06]
11.25"	90519712	30.00 [13.61]

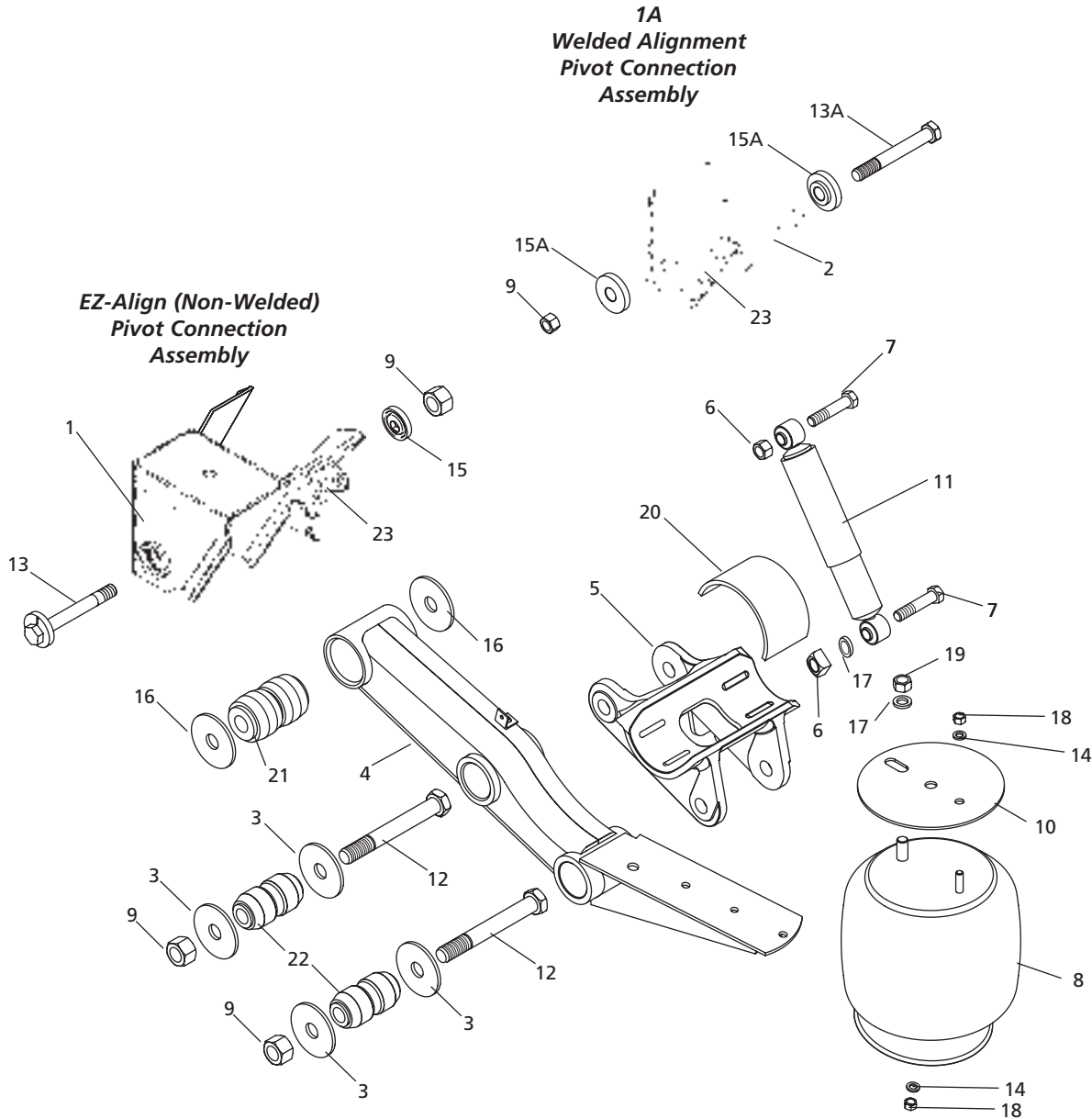


Air Spring

"B" DIM	PART NUMBER	WEIGHT LBS. [KG]
4.75"	90557117	14.00 [6.35]
5.66"	90557112	14.00 [6.35]
7.57"	90557126	18.00 [8.16]

RLU-228 Current Production Suspension Exploded View (4" Axle Travel Up - Can Be Used With A Lift)

IMPORTANT: To ensure proper part number identification before placing order, visually check component to be replaced for part number. If part number cannot be identified or confirmed, contact Holland technical service for assistance - 800.876.3929.



SRK-145 - Pivot

48100202

DESCRIPTION	PART NUMBER	QTY.	WEIGHT LBS. [KG]
Bolt Hex 1.13"-7 x 9.5" GR 8	93201055	2	2.92 [1.32]
Nut, Hex Lock 1.13" - 7 GR-C	93400506	2	0.38 [0.17]
Bushing	90008139	2	4.68 [2.12]
Washer Flat 1.141"	90036177	4	0.80 [0.36]
Pivot Connection Instructions	XL-AK406	1	N/A
Decal, Torque Specifications	XL-AR355	1	N/A

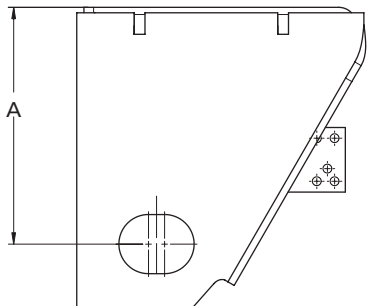
SRK-149 - Axle

48100206

DESCRIPTION	PART NUMBER	QTY.	WEIGHT LBS. [KG]
Bolt, Hex, 1.12-7 X 8.75" Gr 8	93201051	4	2.80 [1.27]
Nut Hex Lock 1.13"-7 GR C	93400506	4	0.38 [0.17]
Bushing	90008149	4	2.50 [1.13]
Washer Spacer	90036175	8	0.36 [0.16]
Washer Flat 1.141"	90036177	8	0.80 [0.36]
Literature Instruction	94100509	1	N/A

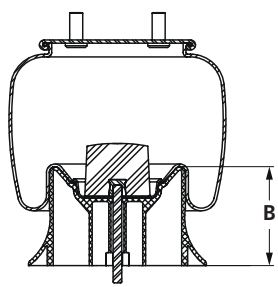
ITEM	DESCRIPTION	RLU-228-8-4	RLU-228-9-4	RLU-228-10-4	RLU-228-12-4	QTY.	APPROX. WEIGHT LBS. [KG]
1	Frame Bracket (roadside - Welded Alignment)	-	90519710	-	-	1	23.80 [10.80]
	Frame Bracket (curbside - Welded Alignment)	-	-	-	-	1	-
	Frame Bracket (roadside EZ-Align HMS)	90521546	90521547	90521548	90521047	1	30.90 [14.02]
	Frame Bracket (curbside EZ-Align HMS)	-	-	-	-	1	-
	Frame Bracket (curbside Welded Alignment)	-	-	-	-	1	-
	Frame Bracket (curbside Welded Alignment HMS)	90521540	90521541	90521542	90521051	1	34.50 [15.65]
2	Angle Brace	90023002	90023002	90023001	90023001	4	3.84 [1.74]
3	1.13" Spacer Washer (axle connection)	90036177	90036177	90036177	90036177	8	0.80 [0.36]
4	Suspension Sub-Assembly (HMS) (roadside)	90546057	90546057	90546057	90546057	1	115.00 [52.16]
	Equalizing Beam (roadside)	90516552	90516552	90516552	90516552	1	69.00 [31.30]
	Suspension Sub-Assembly (HMS) (curbside)	90546058	90546058	90546058	90546058	1	115.00 [52.16]
	Equalizing Beam (curbside)	90516553	90516553	90516553	90516553	1	63.00 [28.57]
5	Axle Adapter (roadside)	90501447	90501447	90501447	90501447	1	32.00 [14.51]
	Axle Adapter (curbside)	90501448	90501448	90501448	90501448	1	38.00 [17.23]
6	.75"-10 Hex Nut (upper shock lock nut)	93400492	93400492	93400492	93400492	2	0.13 [0.06]
	.75"-10 Hex Nut (upper shock lock nut)	93400367	93400367	93400367	93400367	2	0.14 [0.06]
	.75"-10 Square Nut (for lower shock bolt)	93400367	93400367	93400367	93400367	2	0.14 [0.06]
7	.75"-10x3.50" Bolt	93003597	93003597	93003597	93003597	2	0.52 [0.24]
	.75"-10x4" Bolt (lower shock bolt)	93003609	93003609	93003609	93003609	2	0.58 [0.26]
8	Air Spring	90557117	90557112	90557124	90557126	2	14.00 [6.35]
9	Nut, Hex Lock 1.13" - 7 GR-C	93400506	93400506	93400506	93400506	6	0.38 [0.17]
10	Air Spring Mtg Plate (ASMP)	90033785	90033785	90033785	90033785	2	4.10 [1.86]
11	Shock Absorber	90045337*	90045040**	-	90044642**	2	4.67 [2.12]
	Shock Absorber	90044162*	90044626**	90044642**	90044626**	2	8.15 [3.70]
12	Bolt, Hex, 1.12-7 X 8.75" Gr 8	93201051	93201051	93201051	93201051	4	2.80 [1.27]
13	1.13" Pivot Bolt Alignment Block Assy (EZ-Align)	90508019	90508019	90508019	90508019	1	3.98 [1.81]
13A	1.13" Pivot Bolt (Welded Alignment)	93201069	93201055	93201069	93201055	1	2.92 [1.32]
14	.50" Lock Washer	93600072	93600072	93600072	93600072	4	0.02 [0.01]
15	Alignment Block (EZ-Align)	90008238	90008238	90008238	90008238	1	1.10 [0.50]
15A	Alignment Block (Welded Alignment)	90008198	90008147	90008198	90008147	2	1.50 [0.68]
16	Pivot Washer, 1.14" dia.	90036177	90036177	90036177	90036177	4	0.80 [0.36]
17	.75" Lock Washer	93600077	93600077	93600077	93600077	4	0.04 [0.02]
18	.50"-13 Nut	93400136	93400136	93400136	93400136	4	0.40 [0.18]
19	.75"-16 Hex Nut (top of air spring)	93400149	93400149	93400149	93400149	2	0.12 [0.05]
20	Plate Wrapper	90025288	90025288	90025288	90025288	-	3.58 [1.62]
21***	Pivot Bushing	90008139	90008139	90008139	90008139	1	4.68 [2.12]
22***	Axle Bushing	90008149	90008149	90008149	90008149	2	2.50 [1.13]
23	Upper Shock Bracket	-	90519040	-	90519040	2	1.42 [0.64]

* 90045337 dust cover diameter is 2.75", 90044162, 2.5".
 ** 90045040 stretches to 18", 90044642 to 20", 90044626 to 24".
 *** Replacement components should be purchased in bushing connection SRK kits.



Frame Bracket

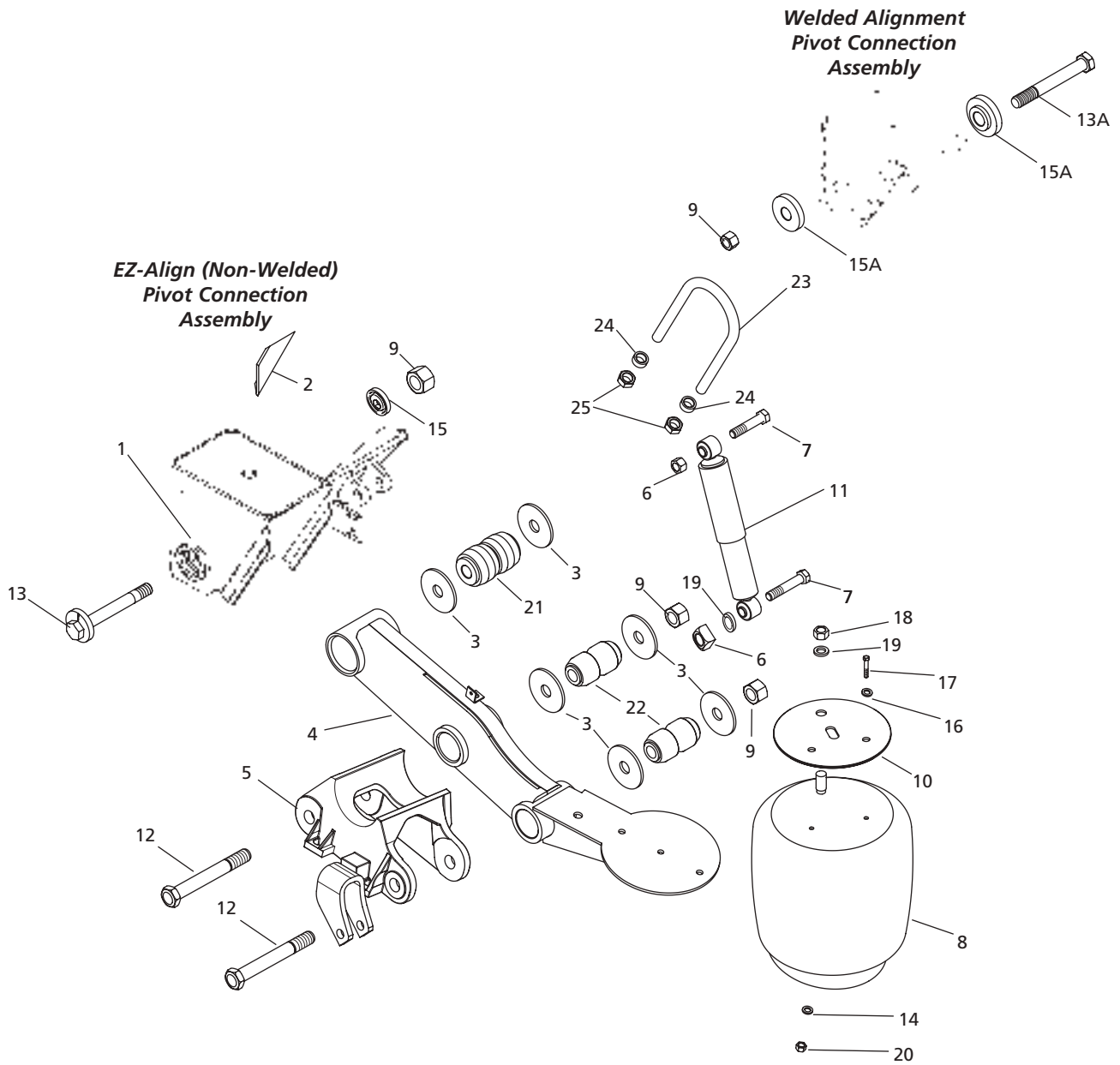
"A" DIM	PART NUMBER	WEIGHT LBS. [KG]
8.25"	90519710	23.80 [10.80]



Air Spring

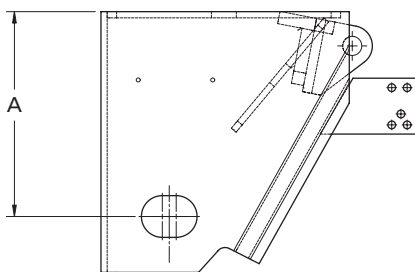
"B" DIM	PART NUMBER	WEIGHT LBS. [KG]
4.75"	90557117	14.00 [6.35]
5.66"	90557112	14.00 [6.35]
7.57"	90557124	15.50 [7.03]
7.57"	90557126	18.00 [8.16]

RLU-250 Standard Suspension Exploded View



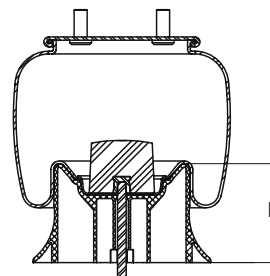
ITEM	DESCRIPTION	RLU-250-6.5	RLU-250-9	RLU-250-12	QTY.	APPROX. WEIGHT LBS. [KG]
1	Frame Bracket (roadside - Welded Adjustable)	90521388	90521295	90521389	1	N/A
	Frame Bracket (roadside - EZ-Align)	90521384	90521297	90521385	1	17.90 [8.12]
	Frame Bracket (curbside - Welded Adjustable)	90521390	90521296	90521391	1	N/A
	Frame Bracket (curbside - EZ-Align)	90521386	90521298	90521387	1	27.40 [12.43]
2	Angle Brace	90023002	90023002	90023002	4	2.20 [1.00]
	Angle Brace	90025873	90025873	90025873	4	N/A
3	1.13" Spacer Washer	90036177	90036177	90036177	12	0.80 [0.36]
	1.13" Wear Washer	-	-	-	12	-
4	Equalizing Beam (with adapters - roadside)	90546795	90546795	90546795	1	120.00 [54.43]
	Equalizing Beam (roadside)	90516873	90516873	90516873	1	-
	Equal. Beam (w/ adapters - roadside EZ-Align)	-	-	-	1	-
	Equalizing Beam (roadside EZ-Align)	-	-	-	1	-
	Equalizing Beam (with adapters - curbside)	90546796	90546796	90546796	1	120.00 [54.43]
	Equalizing Beam (curbside)	90516874	90516874	90516874	1	63.00 [28.58]
	Equal. Beam (w/ adapters - curbside EZ-Align)	-	-	-	1	-
	Equalizing Beam (curbside EZ-Align)	-	-	-	1	-
5	Axle Adapter (roadside)	90501379	90501379	90501379	1	33.70 [15.29]
	Axle Adapter (curbside)	90501380	90501380	90501380	1	33.70 [15.29]
6	.75"-10 Hex Nut (upper shock lock nut)	93400492	93400492	93400492	4	0.13 [0.06]
	.75"-10 Square Nut (for lower shock bolt)	93400367	93400367	93400367	2	0.14 [0.06]
7	.75"-10x3.50" Bolt	93003597	93003597	93003597	4	0.52 [0.24]
	.75"-10x4" Bolt (lower shock bolt)	93003609	93003609	93003609	2	0.58 [0.26]
8	Air Spring	90557235	90557235	90557243	2	25.00 [11.34]
9	Nut, Hex Lock 1.13" - 7 GR-C	93400506	93400506	93400506	6	0.38 [0.17]
10	Air Spring Mtg Plate (ASMP)	90034268	90034268	90034268	2	4.10 [1.86]
11	Shock Absorber	90045381	90044162	90044642	2	4.85 [2.20]
	Shock Absorber	-	-	-	2	-
12	Bolt, Hex, 1.12-7 X 8.75" Gr 8	93201051	93201051	93201051	4	2.80 [1.27]
13	1.13"-7x9.5" Pivot Bolt Alignment Block Assy (EZ-Align)	90508019	90508019	90508019	1	3.98 [1.81]
13A	1.13"-7x9.5" Pivot Bolt, Welded Adjustable	93201055	93201055	93201055	1	2.92 [1.32]
14	.50" Washer	93600072	93600072	93600072	2	0.02 [0.01]
15	Alignment Block Assembly EZ-Align	90008238	90008238	90008238	1	1.10 [0.50]
15A	Alignment Bushing, Welded Adjustable	90008198	90008198	90008198	2	0.61 [0.27]
16	.38" Lock Washer	93600515	93600515	93600515	2	N/A
17	.38"-16x1" Hex Bolt	93002571	93002571	93002571	2	N/A
18	.75"-16 Hex Nut (top of air spring)	93400149	93400149	93400149	4	0.12 [0.05]
19	.75" Washer	93600077	93600077	93600077	4	0.04 [0.02]
20	.50"-13 Hex Nut	93400136	93400136	93400136	2	0.40 [0.18]
21*	Pivot Bushing	90008139	90008139	90008139	1	4.68 [2.12]
22*	Axle Bushing	90008149	90008149	90008149	2	2.50 [1.13]
23	.88"-9x11" U-Bolt	90041170	90041170	90041170	2	3.75 [1.70]
24	.88" Flat Washer	93600162	93600162	93600162	4	0.06 [0.03]
25	.88"-9 Hex Lock Nut	93400498	93400498	93400498	4	0.17 [0.08]

* Replacement components should be purchased in bushing connection SRK kits.



Frame Bracket

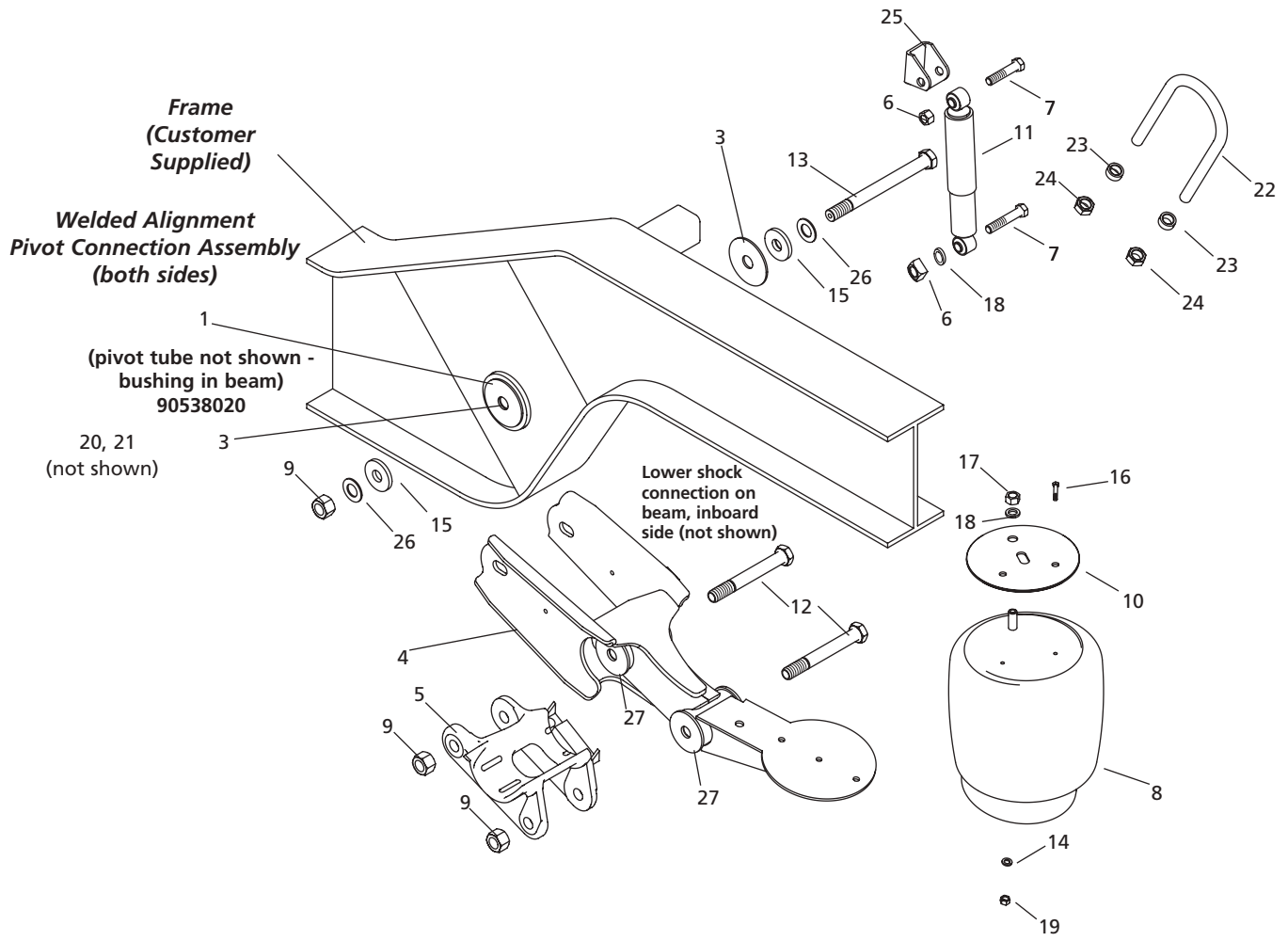
"A" DIM	PART NUMBER	WEIGHT LBS. [KG]
5.06"	90521388	N/A
8.25"	90521295	N/A
11.25"	90521389	N/A



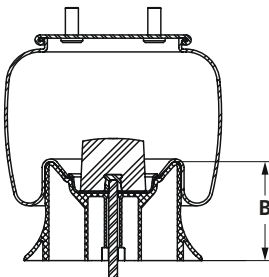
Air Spring

"B" DIM	PART NO.	WEIGHT LBS. [KG]
5.67"	90557235	25.00 [11.34]
7.57"	90557243	25.00 [11.34]

RLU-250 Frame Mount (FMT) Suspension Exploded View



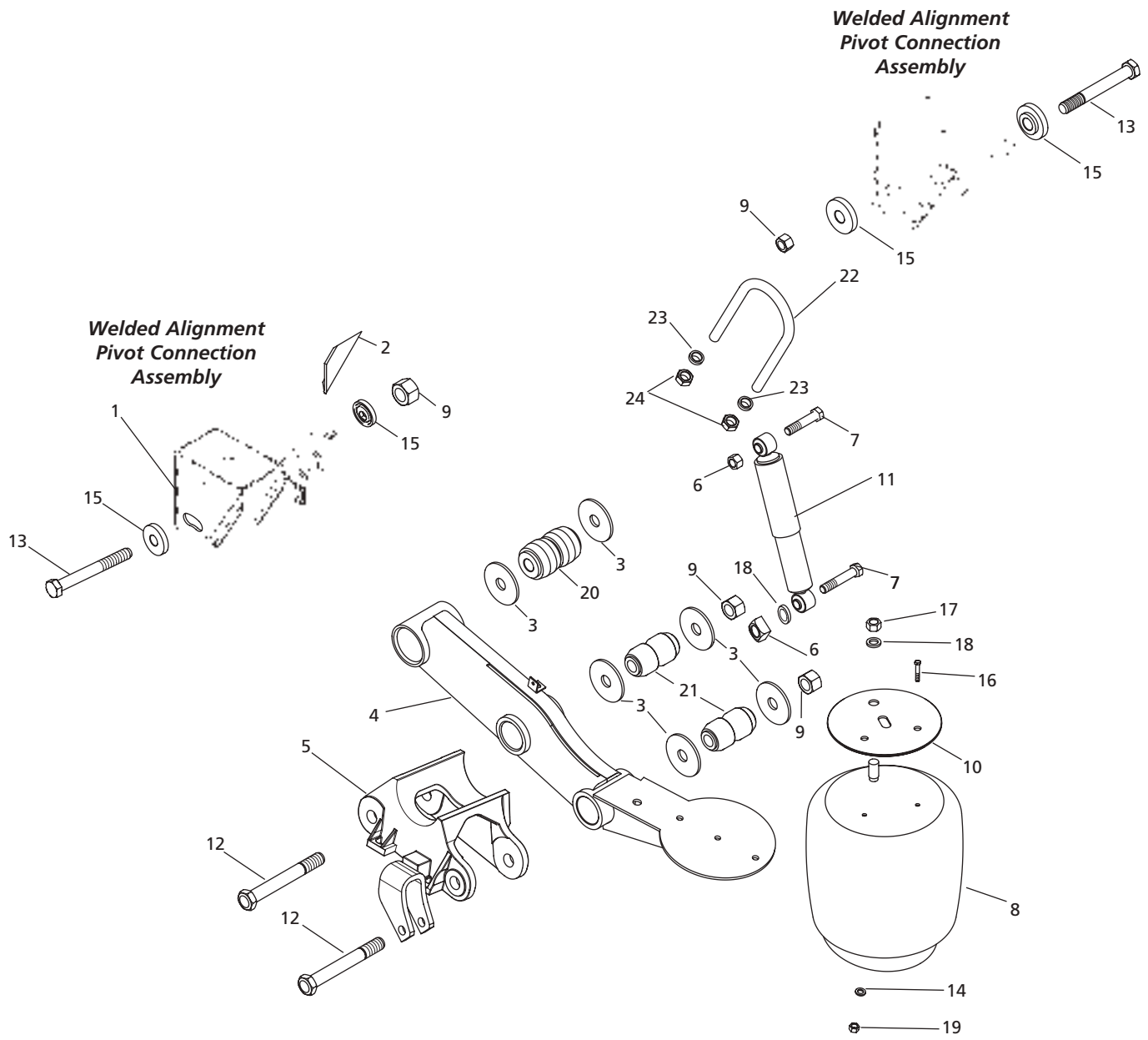
ITEM	DESCRIPTION	RLU-250-6.5-FMT	RLU-250-9-FMT	RLU-250-12-FMT	QTY.	APPROX. WEIGHT LBS. [KG]
1	Pivot Tube Housing (FMT only), 5.5", 7.0" O.D., 6.62" long	90038393	90038393	90038393	2	15.00 [6.80]
	Pivot Tube Housing (FMT only), 7.0", 4.5" I.D., 6.62" long	90538020	90538020	90538020	2	N/A
	Pivot Assembly with rubber bushing (90008222) (FMT only) (not shown); 7.0" long	90538019	90538019	90538019	2	1.00 [0.45]
3	1.12" Spacer Washer	90036177	90036177	90036177	12	0.80 [0.36]
4	Equalizing Beam (with adapters - roadside)	90546673	90546673	90546673	1	133.00 [60.33]
	Equalizing Beam (roadside)	90516892	90516892	90516892	1	93.20 [42.27]
	Equal. Beam (w/ adapters - roadside EZ-Align)	90545675	90545675	90545675	1	N/A
	Equalizing Beam (roadside EZ-Align)	90516884	90516884	90516884	1	N/A
	Equalizing Beam (with adapters - curbside)	90546674	90546674	90546674	1	133.00 [60.33]
	Equalizing Beam (curbside)	90516893	90516893	90516893	1	93.20 [42.27]
	Equal. Beam (w/ adapters - curbside EZ-Align)	90546676	90546676	90546676	1	135.00 [61.23]
5	Axle Adapter (roadside)	90001299	90001299	90001299	1	29.80 [13.52]
	Axle Adapter (curbside)	90001300	90001300	90001300	1	29.80 [13.52]
6	.75"-10 Hex Nut (upper shock lock nut)	93400492	93400492	93400492	4	0.13 [0.06]
	.75"-10 Square Nut (for lower shock bolt)	93400367	93400367	93400367	2	0.14 [0.06]
7	.75"-10x3.50" Bolt	93003597	93003597	93003597	4	0.52 [0.24]
	.75"-10x4" Bolt (lower shock bolt)	93003609	93003609	93003609	2	0.58 [0.26]
8	Air Spring	90557235	90557235	90557243	2	25.00 [11.34]
9	Nut, Hex Lock 1.13" - 7 GR-C	93400506	93400506	93400506	6	0.38 [0.17]
10	Air Spring Mtg Plate (ASMP)	90034268	90034268	90034268	2	4.10 [1.86]
11	Shock Absorber	90045381	90045381	90045054	2	4.49 [2.04]
	Shock Absorber	-	90044162	-	2	4.85 [2.20]
12	Bolt, Hex, 1.12-7 X 8.75" Gr 8	93201051	93201051	93201051	4	2.80 [1.27]
	Alignment Block Assembly EZ-Align	90508016	90508016	90508016	2	4.90 [2.22]
13	1.12"-7x12" Pivot Bolt	93201064	93201064	93201064	2	N/A
14	.50" Washer	93600072	93600072	93600072	2	0.02 [0.01]
15	1.12" Washer, Flat	93600515	93600515	93600515	2	N/A
16	.38"-16x1" Hex Bolt	93002571	93002571	93002571	2	N/A
17	.75"-16 Hex Nut (top of air spring)	93400149	93400149	93400149	4	0.12 [0.05]
18	.75" Washer	93600077	93600077	93600077	4	0.04 [0.02]
19	.50" - 13 Hex Nut	93400136	93400136	93400136	2	0.40 [0.18]
20	Pivot Bushing	90008139	90008139	90008139	1	4.68 [2.12]
21	Axle Bushing	90008149	90008149	90008149	2	2.50 [1.13]
22	.88"-9x11" U-Bolt	90041170	90041170	90041170	4	3.75 [1.70]
23	.88" Flat Washer	93600162	93600162	93600162	4	0.06 [0.03]
24	.88"-9 Hex Lock Nut	93400498	93400498	93400498	4	0.17 [0.08]
25	Shock Bracket Upper	90519040	90519040	90519040	2	1.42 [0.64]
26	1.12" Washer, Flat Narrow	93600174	93600174	93600174	2	0.11 [0.05]
27	1.12" Wear Washer	93600530	93600530	93600530	4	0.72 [0.33]



Air Spring

" A" DIM	PART NUMBER	WEIGHT LBS. [KG]
6.5"	90557235	25.00 [11.34]
12.0"	90557243	25.00 [11.34]

RLU-300 Standard Suspension Exploded View



ITEM	DESCRIPTION	RLU-300-6.5	RLU-300-9	RLU-300-12	QTY.	APPROX. WEIGHT LBS. [KG]
1	Frame Bracket (roadside - Welded Adjustable)	90521388	90521295	90521655	1	67.60 [30.66]
	Frame Bracket (curbside - Welded Adjustable)	90521390	90521696	90521656	1	67.60 [30.66]
2	Angle Brace	90023002	90023002	90023002	4	2.20 [1.00]
	Angle Brace	90025873	90025873	90025873	4	2.20 [1.00]
3	1.12" Spacer Washer	90036177	90036177	90036177	12	0.80 [0.36]
4	Equalizing Beam (with adapters - roadside)	90547853	90547853	90546795	1	112.00 [50.80]
	Equalizing Beam (roadside)	90517034	90517034	90516873	1	112.00 [50.80]
	Equalizing Beam (with adapters - curbside)	90547854	90547854	90547854	1	122.00 [55.345]
	Equalizing Beam (curbside)	90517035	90517035	90517035	1	122.00 [55.345]
5	Axle Adapter (roadside)	90501379	90501379	90501379	1	33.70 [15.29]
	Axle Adapter (curbside)	90501380	90501380	90501380	1	33.70 [15.29]
6	.75"-10 Hex Nut (upper shock lock nut)	93400492	93400492	93400492	4	0.13 [0.06]
	.75"-10 Square Nut (for lower shock bolt)	93400367	93400367	93400367	2	0.14 [0.06]
7	.75"-10x3.50" Bolt	93003597	93003597	93003597	4	0.52 [0.24]
	.75"-10x4" Bolt (lower shock bolt - Short Beam)	93003609	93003609	93003609	2	0.58 [0.26]
8	Air Spring	90557111	90557111	90557185	2	22.00 [9.98]
9	Nut, Hex Lock 1.13" - 7 GR-C	93400506	93400506	93400506	6	0.38 [0.17]
10	Air Spring Mtg Plate (ASMP)	90033785	90033785	90033785	2	4.10 [1.86]
11	Shock Absorber	90045471	90045337	90045444	2	N/A
12	Bolt, Hex, 1.12-7 X 8.75" Gr 8	93201051	93201051	93201051	4	2.80 [1.27]
13	1.12"-7x9.5" Pivot Bolt (Welded Alignment)	93201055	93201055	93201055	2	2.92 [1.32]
14	.50" Washer	93600072	93600072	93600072	2	0.02 [0.01]
15	Alignment Block (Welded Alignment)	90008147	90008198	90008198	4	1.50 [0.68]
16	.50"-13x1" Bolt	93002893	93002893	93002893	4	0.08 [0.04]
17	.75"-16 Hex Nut (top of air spring)	93400149	93400149	93400149	2	0.12 [0.05]
18	.75" Washer	93600077	93600077	93600077	4	0.04 [0.02]
19	.50"-13 Nut	93400136	93400136	93400136	2	0.40 [0.18]
20*	Pivot Bushing	90008139	90008139	90008139	1	4.68 [2.12]
21*	Axle Bushing	90008149	90008149	90008149	2	2.50 [1.13]
22	.78"-9x11" U-Bolt	90041170	90041170	90041170	2	3.75 [1.70]
23	.88" Flat Washer	93600162	93600162	93600162	4	0.06 [0.03]
24	.88"-9 Hex Lock Nut	93400498	93400498	93400498	4	0.17 [0.08]

* Replacement components should be purchased in bushing connection SRK kits listed below.

SRK-524 - Pivot

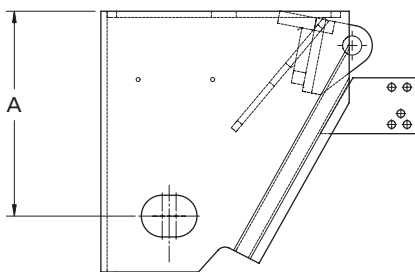
48100388

DESCRIPTION	PART NUMBER	QTY.	WEIGHT LBS. [KG]
Bushing	90008139	2	4.68 [2.12]
Washer Flat 1.141"	90036177	4	0.80 [0.36]
Bolt Hex 1.12"-7 x 8.5" GR 8	93201069	2	2.90 [1.32]
Nut, Hex Lock 1.13" - 7 GR-C	93400506	2	0.38 [0.17]
Literature Instructions	XL-AR453	1	N/A

SRK-149 - Axle

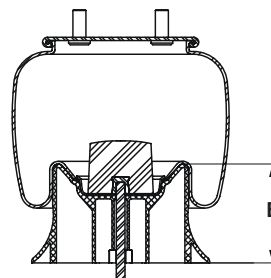
48100206

DESCRIPTION	PART NUMBER	QTY.	WEIGHT LBS. [KG]
Bolt, Hex, 1.12-7 X 8.75" Gr 8	93201051	4	2.80 [1.27]
Nut, Hex Lock 1.13" - 7 GR-C	93400506	4	0.38 [0.17]
Bushing	90008149	4	2.50 [1.13]
Washer Spacer	90036175	8	0.36 [0.16]
Washer Flat 1.141"	90036177	8	0.80 [0.36]
Literature Instruction	94100509	1	N/A



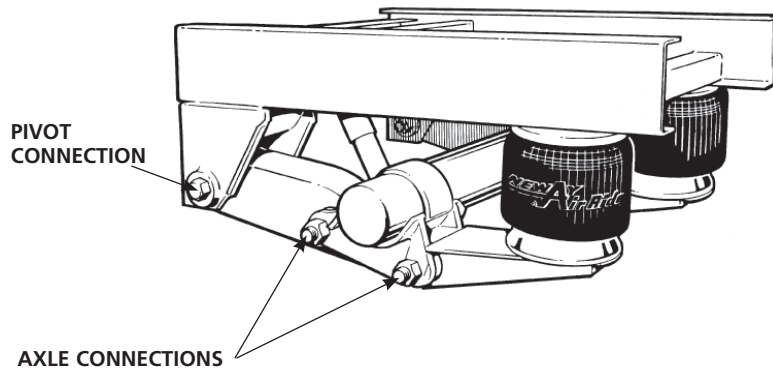
Frame Bracket

"A" DIM	PART NUMBER	WEIGHT LBS. [KG]
5.06"	90521388	N/A
8.25"	90521295	N/A
10.59"	90521655	N/A



Air Spring

"B" DIM	PART NUMBER	WEIGHT LBS. [KG]
5.50"	90557111	22.00 [9.98]
7.00"	90557185	20.00 [9.07]



When servicing your RLU Series suspension, use the convenient service repair kits noted below.

Descriptions are found below and below the parts list for each suspension.

PIVOT CONNECTION:

One (1) SRK Required per axle.

NOTE: Bushing connection kits should be purchased as SRKs listed here

PIVOT AND AXLE CONNECTION SERVICE REPAIR KIT CHART

Model RLU-228 Pivot Connection - EZ and Welded Alignments

BOLT TYPE 1055 / 1069	DESCRIPTION	HOLLAND PART NUMBER	SRK	WEIGHT LBS. [KG]
1055	Bolts, Nuts, and Bushings	48100202	SRK-145	19.54 [8.86]
1055	1 EZ-Alignment / 1 Welded Alignment	48100384	SRK-520	40.00 [18.14]
	2 EZ-Alignment	48100385	SRK-521	20.00 [9.07]
1069	1 EZ-Alignment / 1 Welded Alignment	48100389	SRK-525	17.24 [7.82]
1069	2 Welded Alignment	48100319	SRK-456	17.00 [7.71]

Model RLU-228 Axle Connection

BOLT TYPE	DESCRIPTION	HOLLAND PART NUMBER	SRK	WEIGHT LBS. [KG]
1051	1-Piece Adapter	48100206	SRK-149	32.28 [14.64]

Model RLU-250 Pivot Connection - EZ and Welded Alignments

BOLT TYPE 1055 / 1069	DESCRIPTION	HOLLAND PART NUMBER	SRK	WEIGHT LBS. [KG]
1069	2 Welded Alignment	48100388	SRK-524	N/A
1069	1 EZ-Alignment/1 Welded Alignment	48100383	SRK-519	21.82 [9.90]
	2 EZ-Alignment	48100386	SRK-522	24.62 [11.17]
1055	1 EZ-Alignment/1 Welded Alignment	48100387	SRK-523	21.32 [9.67]

Model RLU-250 Axle Connection - 1-Piece Adapter

BOLT TYPE	DESCRIPTION	HOLLAND PART NUMBER	SRK	WEIGHT LBS. [KG]
1051	1-Piece Adapter	48100206	SRK-149	32.28 [14.64]

Model RLU-300 Pivot Connection - Welded Alignments

BOLT TYPE 1055 / 1069	DESCRIPTION	HOLLAND PART NUMBER	SRK	WEIGHT LBS. [KG]
1069	2 Welded Alignment	48100388	SRK-524	N/A

Model RLU-300 Axle Connection - 1-Piece Adapter

BOLT TYPE	DESCRIPTION	HOLLAND PART NUMBER	SRK	WEIGHT LBS. [KG]
1051	1-Piece Adapter	48100206	SRK-149	32.28 [14.64]

RLU PIVOT AND AXLE CONNECTION REPLACEMENT KIT CHARTS

SRK-145 - Pivot

48100202

DESCRIPTION	PART NUMBER	QTY.	WEIGHT LBS. [KG]
Bolt Hex 1.13"-7 x 9.5" GR 8	93201055	2	2.92 [1.32]
Nut, Hex Lock 1.13" - 7 GR-C	93400506	2	0.38 [0.17]
Bushing	90008139	2	4.68 [2.12]
Washer Flat 1.141"	90036177	4	0.80 [0.36]
Pivot Connection Instructions	XL-AK406	1	N/A
Decal, Torque Specifications	XL-AR355	1	N/A

SRK-149 - Axle

48100206

DESCRIPTION	PART NUMBER	QTY.	WEIGHT LBS. [KG]
Bolt, Hex, 1.12-7 X 8.75" Gr 8	93201051	4	2.80 [1.27]
Nut, Hex Lock 1.13" - 7 GR-C	93400506	4	0.38 [0.17]
Bushing	90008149	4	2.50 [1.13]
Washer Spacer	90036175	8	0.36 [0.16]
Washer Flat 1.141"	90036177	8	0.80 [0.36]
Literature Instruction	XL-AR453	1	N/A

SRK-232 - Pivot

48100294

DESCRIPTION	PART NUMBER	QTY.	WEIGHT LBS. [KG]
Bushing	90008139	1	4.68 [2.12]
Washer Flat 1.141"	90036177	2	0.80 [0.36]
Alignment Block	90508019	1	3.98 [1.81]
Alignment Block Non Weld	90008238	1	1.10 [0.50]
Nut, Hex Lock 1.13" - 7 GR-C	93400506	1	0.38 [0.17]
Literature Instructions	XL-AR453	1	N/A

SRK-519 - Pivot

48100383

DESCRIPTION	PART NUMBER	QTY.	WEIGHT LBS. [KG]
Bolt Hex 1.12"-7 x 8.5" GR 8	93201069	1	2.90 [1.32]
Nut, Hex Lock 1.13" - 7 GR-C	93400506	2	0.38 [0.17]
Bushing	90008139	2	4.68 [2.12]
Washer Flat 1.141"	90036177	4	0.80 [0.36]
Alignment Block	90508019	1	3.98 [1.81]
Alignment Block Non Weld	90008238	1	1.10 [0.50]
Welded Axle Alignment Ins; EZ-Align Axle Alignment Ins.	XL-AR354	1	N/A
Decal, Torque Specification	XL-AR355	1	N/A

SRK-522 - Pivot

48100386

DESCRIPTION	PART NUMBER	QTY.	WEIGHT LBS. [KG]
Bushing	90008139	2	4.68 [2.12]
Washer Flat 1.141"	90036177	4	0.80 [0.36]
Alignment Block	90508019	2	3.98 [1.81]
Alignment Block Non Weld	90008238	2	1.10 [0.50]
Nut, Hex Lock 1.13" - 7 GR-C	93400506	2	0.38 [0.17]
Welded Axle Alignment Ins; EZ-Align Axle Alignment Ins.	XL-AR354	1	N/A
Decal, Torque Specification	XL-AR355	1	N/A
Decal, Torque Specification	XL-AR355	1	N/A

SRK-523 - Pivot

48100387

DESCRIPTION	PART NUMBER	QTY.	WEIGHT LBS. [KG]
Bushing	90008139	2	4.68 [2.12]
Washer Flat 1.141"	90036177	4	0.80 [0.36]
Alignment Block	90508019	1	3.98 [1.81]
Alignment Block Non Weld	90008238	1	1.10 [0.50]
Nut, Hex Lock 1.13" - 7 GR-C	93400506	2	0.38 [0.17]
Bolt Hex 1.13"-7 x 9.5" GR 8	93201055	1	2.92 [1.32]
Welded Axle Alignment Ins; EZ-Align Axle Alignment Ins.	XL-AR354	1	N/A
Decal, Torque Specification	XL-AR355	1	N/A

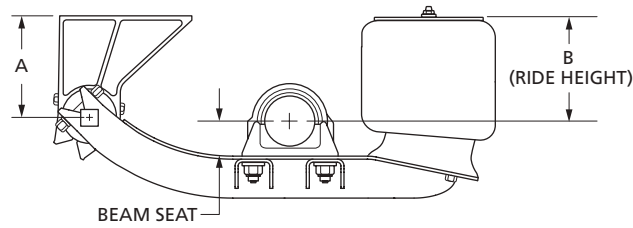
SRK-524 - Pivot

48100388

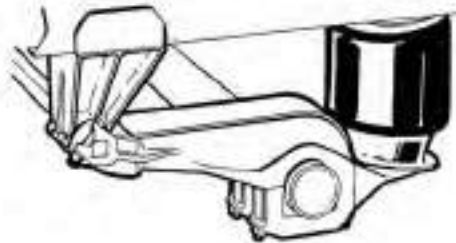
DESCRIPTION	PART NUMBER	QTY.	WEIGHT LBS. [KG]
Bushing	90008139	2	4.68 [2.12]
Washer Flat 1.141"	90036177	4	0.80 [0.36]
Bolt Hex 1.12"-7 x 8.5" GR 8	93201069	2	2.90 [1.32]
Nut, Hex Lock 1.13" - 7 GR-C	93400506	2	0.38 [0.17]
Literature Instructions	XL-AR453	1	N/A

AR Series Model Neway Identification

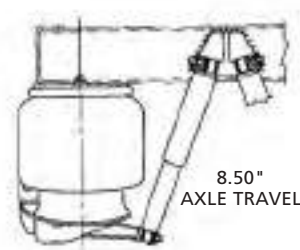
AR-120/125 Topmount & AR-120/125-US Underslung Series



AR-120/125-US Underslung



AR-120/125 Topmount



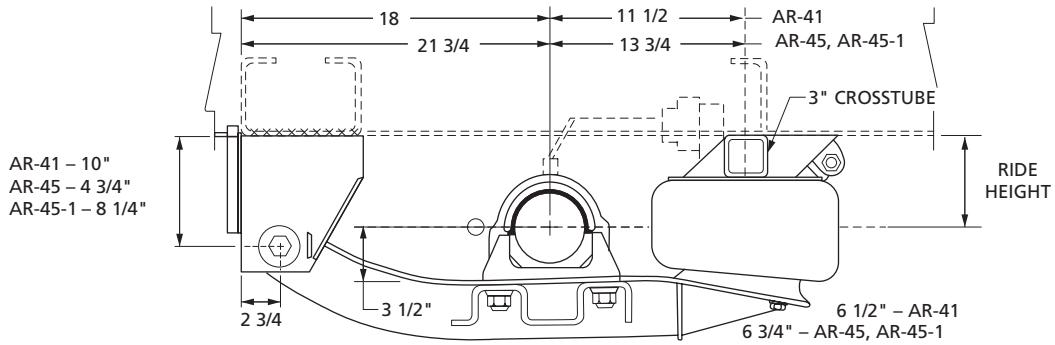
TYPE 1 SHOCK LOCATION



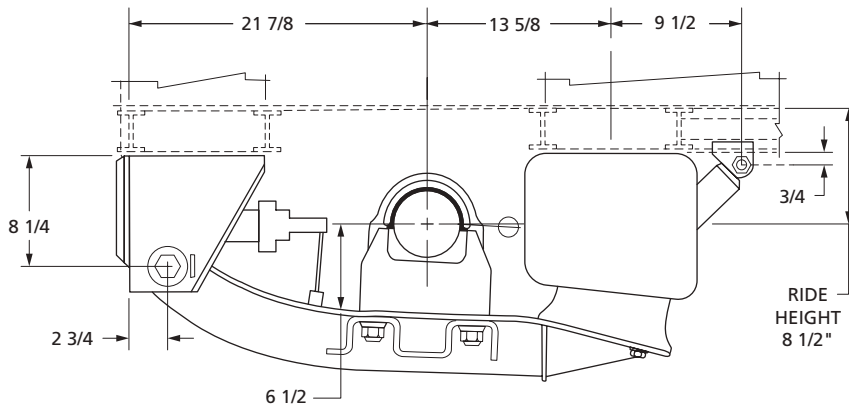
TYPE 2 SHOCK LOCATION

MODEL	A DIMENSION	B DIMENSION	SHOCK LOCATION	BEAM SEAT
AR-120, 125	8.38	14	TYPE 1	–
AR-120-L, 125-L	11.38	17	TYPE 2	–
AR-120-US, 125-US	8.38	9	TYPE 1	3.50
AR-120-US-L-1	11.38	9	TYPE 2	6.50
AR-120-US-L-2	11.38	10.50	TYPE 2	5.25
AR-120-US-L-3	11.38	12	TYPE 2	3.50
AR-125-US-L-1	11.38	9	TYPE 2	6.50
AR-125-US-L-2	11.38	10.50	TYPE 2	5.25
AR-125-US-L-3	11.38	12	TYPE 2	3.50
AR-120-US-F	8.38	9	TYPE 1	3.50
AR-125-US-F	8.38	9	TYPE 1	3.50

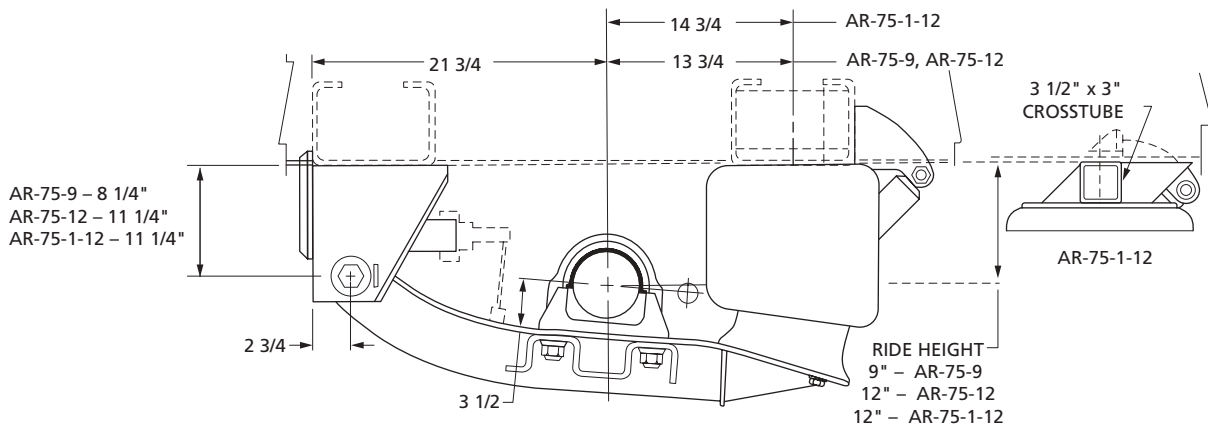
AR-41, AR-45, and AR-75 Series



AR-41, AR-45 & AR-45-1



AR-75-6

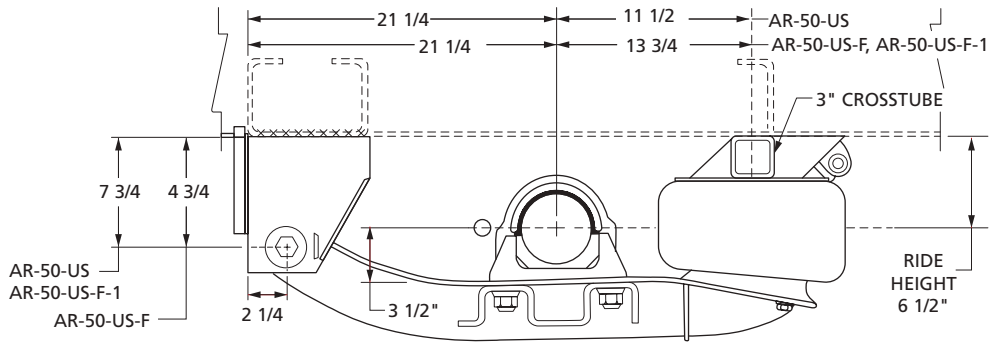


AR-75-9, AR-75-12, AR-75-1-12

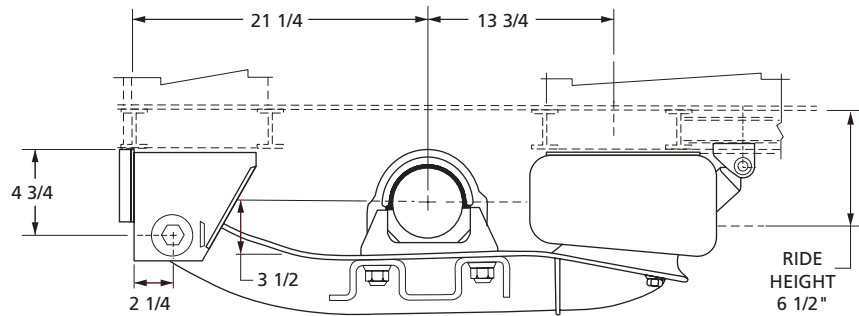
AR Series

AR Series Model Neway Identification

AR-50-US, AR-50-US-F and AR-80-9FM Series



AR-50-US, AR-50-US-F & F-1

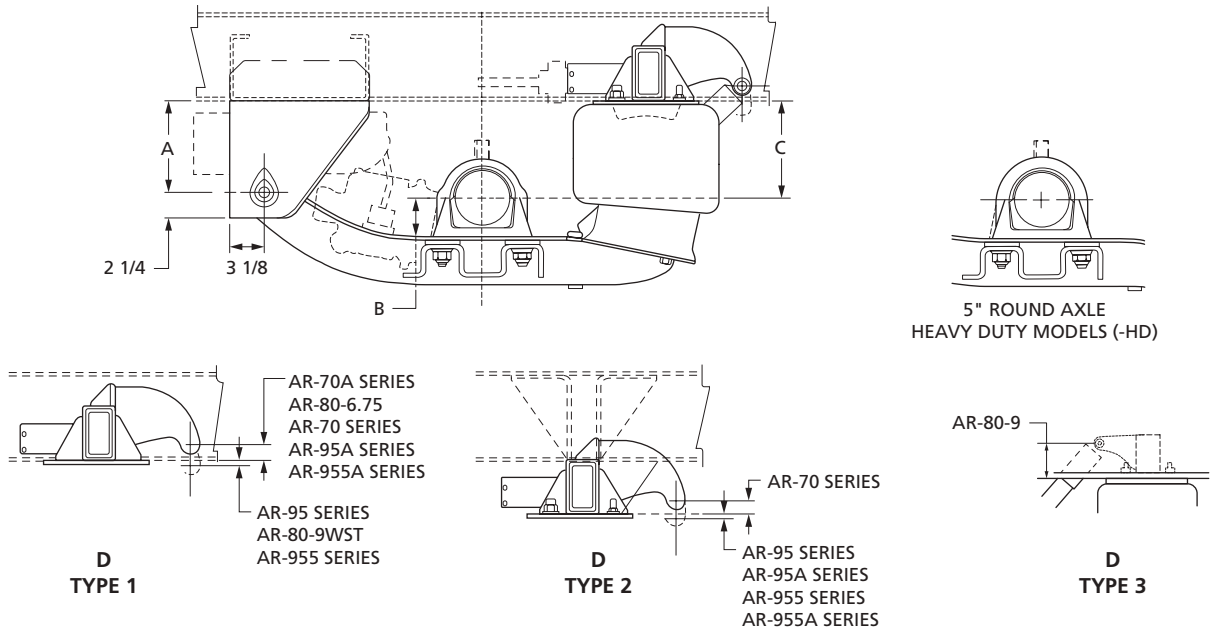


AR-50-US-F-2



AR-80-9FM

AR-70, AR-70A, AR-80, AR-95, AR-955 and AR-955A Series



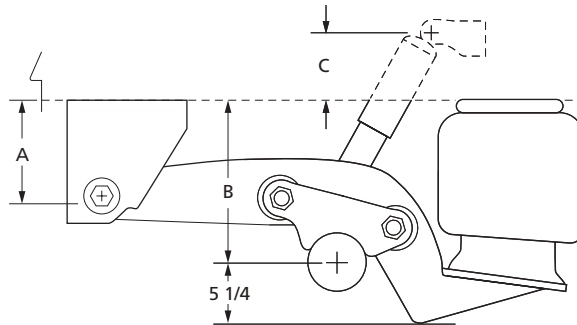
MODEL	A DIMENSION	B DIMENSION	C DIMENSION	D TYPE	D DIMENSION
AR-70-9	8.50	3.50	9	1	1.38
AR-70A-9	8.50	3.50	9	1	1.75
AR-70-14	13.50	3.50	14	2	1.38
AR-80-6.75	6.75	3.50	6.75	1	2.38
AR-80-9	8.25	3.50	9	3	4.50
AR-80-9WST	8.25	3.50	9	1	1
AR-95-9, 9-HD	11.50	6.50	9	1	.50
AR-955-9, 9-HD*	11.50	6.50	9	1	.50
AR-95A-9	11.50	6.50	9	1	1.25
AR-95A-9-HD	11.50	6.63	9	1	1.25
AR-955A-9*	11.50	6.50	9	1	1.25
AR-955A-9-HD*	11.50	6.63	9	1	1.25
AR-95-12, 12-HD	11.50	3.50	12	1	.50
AR-955-12, 12-HD*	11.50	3.50	12	1	.50
AR-95A-12	11.50	3.50	12	1	1.25
AR-95A-12-HD	11.50	3.63	12	1	1.25
AR-955A-12*	11.50	3.50	12	1	1.25
AR-95A-12-HD*	11.50	3.63	12	1	1.25
AR-95-14, 14-HD	16.50	6.50	14	2	.50
AR-955-14, 14-HD*	16.50	6.50	14	2	.50
AR-95A-14	16.50	6.50	14	2	1.25
AR-95A-14-HD	16.50	6.63	14	2	1.25
AR-955A-14*	16.50	6.50	14	2	1.25
AR-955A-14-HD*	16.50	6.63	14	2	1.25
AR-95-17, 17-HD	16.50	3.50	17	2	.50
AR-955-17, 17-HD*	16.50	3.50	17	2	.50
AR-95A-17	16.50	3.50	17	2	1.25
AR-95A-17-HD	16.50	3.63	17	2	1.25
AR-955A-17*	16.50	3.50	17	2	1.25
AR-955A-17-HD	16.50	3.63	17	2	1.25

* Includes Coil Spring Lift.

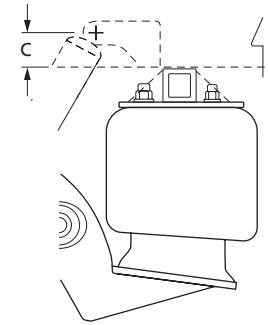
AR Series Model Neway Identification

AR-90, AR-90-1, AR-92 and AR-93 Series

MODEL	A DIMENSION	B DIMENSION	C DIMENSION
AR-90-14	8.25	14	5.50
AR-90-15	8.25	15	5.50
AR-90-16	10.63	16	4.75
AR-90-17	11.75	17	5.50

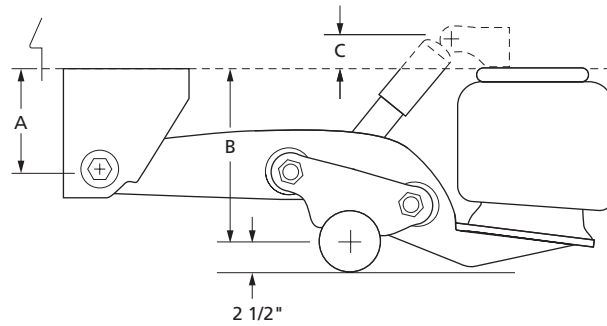


AR-90 SERIES

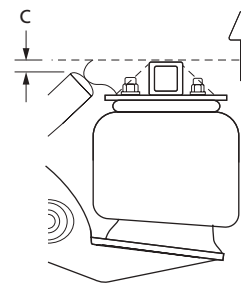


AR-90-17

MODEL	A DIMENSION	B DIMENSION	C DIMENSION
AR-90-1-12	6	12	2.25
AR-90-1-14	8.25	14	2.25
AR-90-1-15	8.25	15	2.25
AR-90-1-16	10.63	16	2.25
AR-90-1-17	11.25	17	2.25
AR-92-12	5.25	12	2.25
AR-92-14	7.25	14	2.25
AR-92-15	8.25	15	2.25
AR-92-16	10.63	16	2.25
AR-92-17	10.63	17	2.25
AR-92-18	12.50	18	2.25

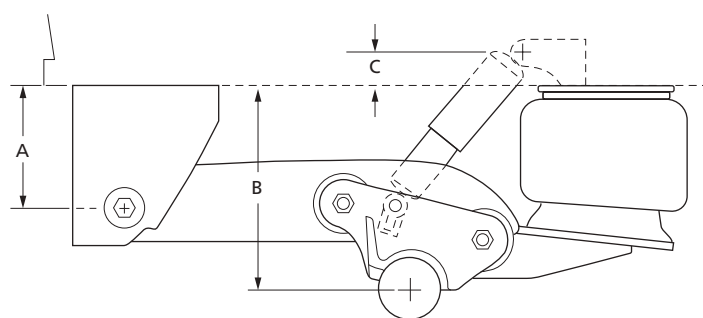


AR-90-1 & AR-92 SERIES



AR-90-1-17 SERIES

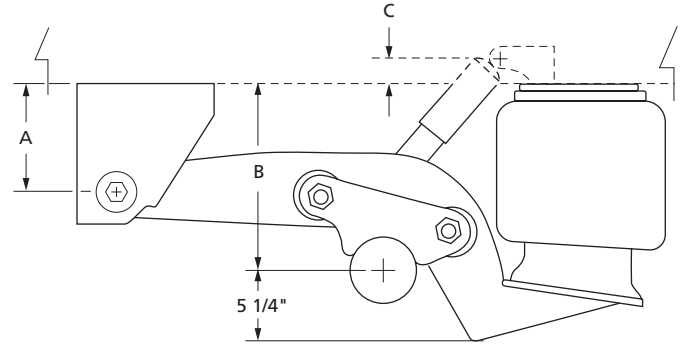
MODEL	A DIMENSION	B DIMENSION	C DIMENSION
AR-93-14	7.25	14	2.25
AR-93-15	8.25	15	2.25
AR-93-16	10.63	16	2.25
AR-93-17	10.63	17	2.25



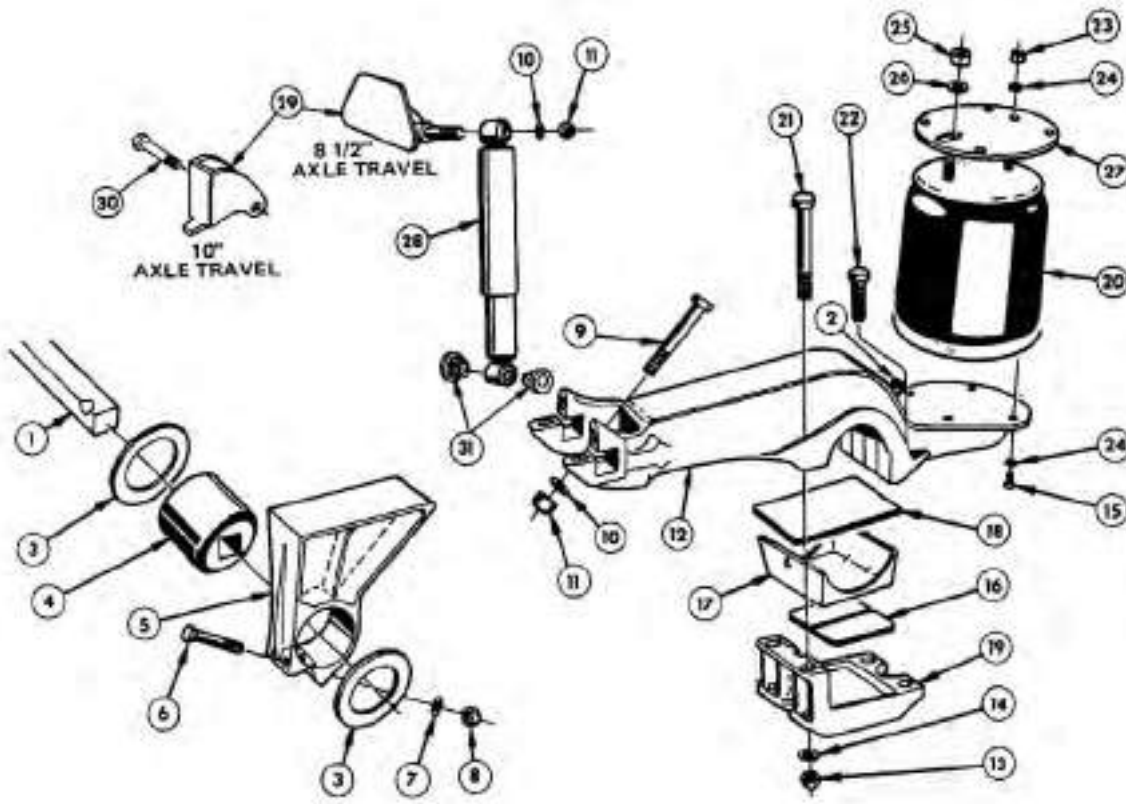
AR-93 SERIES

AR-250 Series

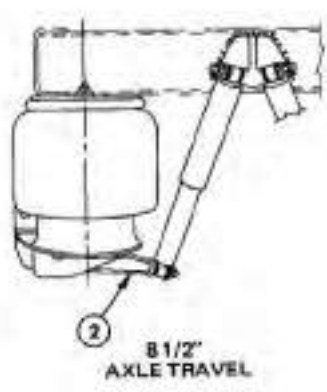
MODEL	A DIMENSION	B DIMENSION	C DIMENSION
AR-250-12	5.25	12	2.63
AR-250-14	8.25	14	2.63
AR-250-15	8.25	15	2.63
AR-250-16	10.63	16	2.63
AR-250-17	10.63	17	2.63



AR-250 SERIES



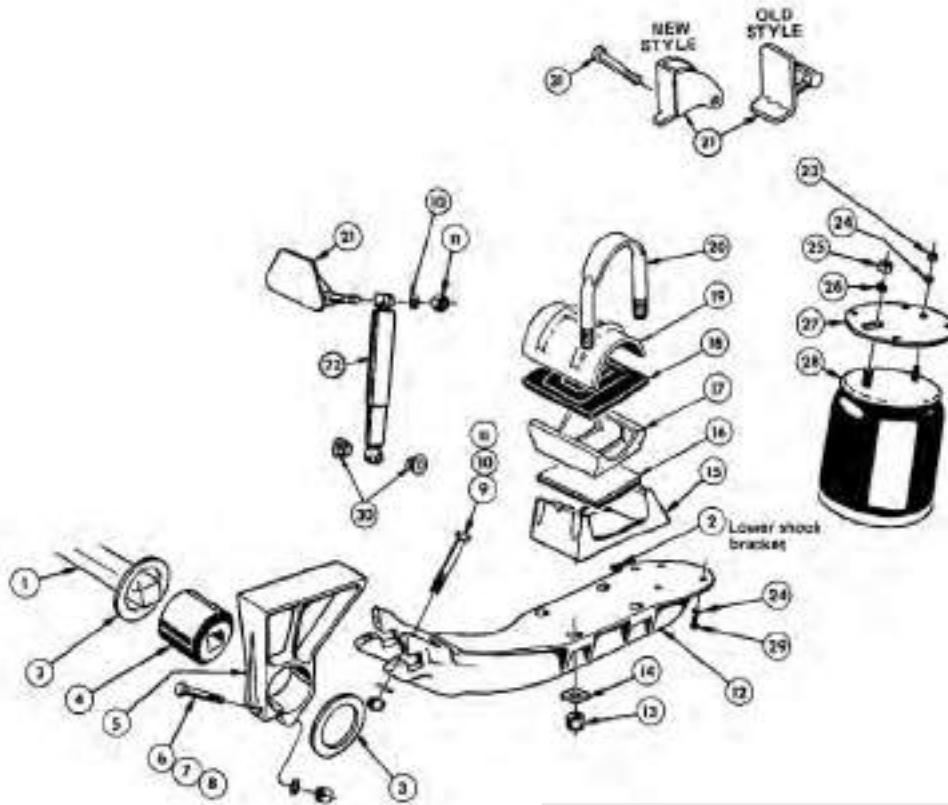
NOTE: For 15" wheel axle connection parts, with cam on horizontal centerline, refer to page 2-206.



**DISCONTINUED MODEL
SERVICE PARTS ONLY**
Please contact Customer Service for part availability
800.876.3929

ITEM	DESCRIPTION	PART NUMBER	QTY REQD	MODEL	WEIGHT LBS. [KG]
1*	Torsion Bar 42.88 (Other Lengths Available)	N/A	1	All	N/A
2	Lower Shock Mounting Bracket	90518008	2	AR-120, AR-125	1.64 [0.74]
	Lower Shock Mounting Bracket	90518009	2	AR-120-L, AR-125-L	5.00 [2.27]
3	Spacer Washer 3.53 x 5.50 x.25"	93600035	4	All	1.00 [0.45]
4	Rubber Bushing	N/A	2	All	N/A
5	Frame Bracket	90018010	2	All	25.76 [11.68]
6	Cap Screw .63-11 x4" Gr8	93003395	4	All	0.33 [0.15]
7	Washer .63 HT	93600150	4	All	0.03 [0.10]
8	Lock Nut .63-11 GrC	93400490	4	All	0.07 [0.03]
9	Cap Screw .75-10 x5" Gr5	93003633	4	All	0.72 [0.33]
10	Washer .75 HT	93600156	8	All	0.04 [0.02]
11	Lock Nut .75-10 GrB	93400492	8	All	0.13 [0.06]
12	Equalizing Beam LH (Includes Item #2)	90515009	1	All	92.00 [41.73]
	Equalizing Beam RH (Includes Item #2)	90515010	1	All	92.00 [41.73]
13	Lock Nut 7/7-9 GrB	93400496	8	All	0.20 [0.10]
14	Washer .88 HT	93600162	8	All	0.06 [0.03]
15	Hex Cap Screw .50-13 x 1" Gr2	93002893	8	All	0.08 [0.04]
16	Rubber Pad	90028083	2	All	1.90 [0.86]
17	Axle Adapter	90001082	2	All	9.00 [4.08]
18	Rubber Wrapper	90028007	2	All	0.83 [0.37]
19	Axle Cap	90010001	2	All	17.55 [7.96]
20	Air Spring Assembly	90557027	2	AR-120	15.00 [6.80]
	Air Spring Assembly	90557009	2	AR-120-L	21.00 [9.53]
	Air Spring Assembly	90557078	2	AR-125	23.00 [10.43]
	Air Spring Assembly	90557077	2	AR-125-L	22.00 [9.97]
21	Rod Bolt .88-9 x 6" Gr5	93900178	4	All	23.00 [10.43]
22	Rod Bolt .88-9 x 2.75" Gr5	93200754	4	All	0.56 [0.25]
23	Hex Nut .50-13 GrB	93400136	8	All	0.40 [0.18]
24	Lock Washer	93600072	16	All	0.02 [0.01]
25	Hex Nut .75-16 GrB	93400149	2	All	0.12 [0.05]
26	Lock Washer .75	93600077	2	All	0.04 [0.02]
27	Air Spring Mounting Plate	90033785	2	All	4.10 [1.86]
28	Shock Absorber	90044626	2	All	8.15 [3.70]
29	Upper Shock Mounting Bracket	90518011	1	AR-120, AR-125	5.00 [2.27]
	Upper Shock Mounting Bracket	90518301	2	AR-120-L, AR-125-L	N/A
30	Cap Screw .75-10 x 3.50" Gr5	93003597	2	AR-120-L, AR-125-L	0.52 [0.24]
31	Replacement Shock Bushing	90508004	8	All	0.20 [0.10]
SERVICE REPAIR KITS					
	SRK-11 - Pivot Connection (Includes Torsion Bar)	48100022	1	All	30.00 [13.61]
	SRK-11A - Pivot Connection (Less Torsion Bar)	48100132	1	All	31.00 [14.06]
	SRK-15 - Axle Connection (5" Round)	48100016	1	All	14.00 [6.35]

* Torsion Bar Length = Beam Centers + 7.88"

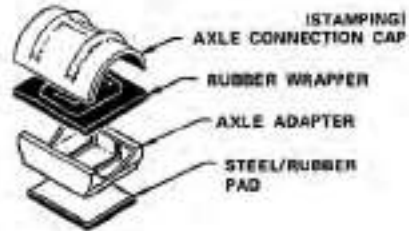


NOTE: For 15" wheel axle connection parts, with cam on horizontal centerline, refer to page 2-206.

OLD STYLE



NEW STYLE

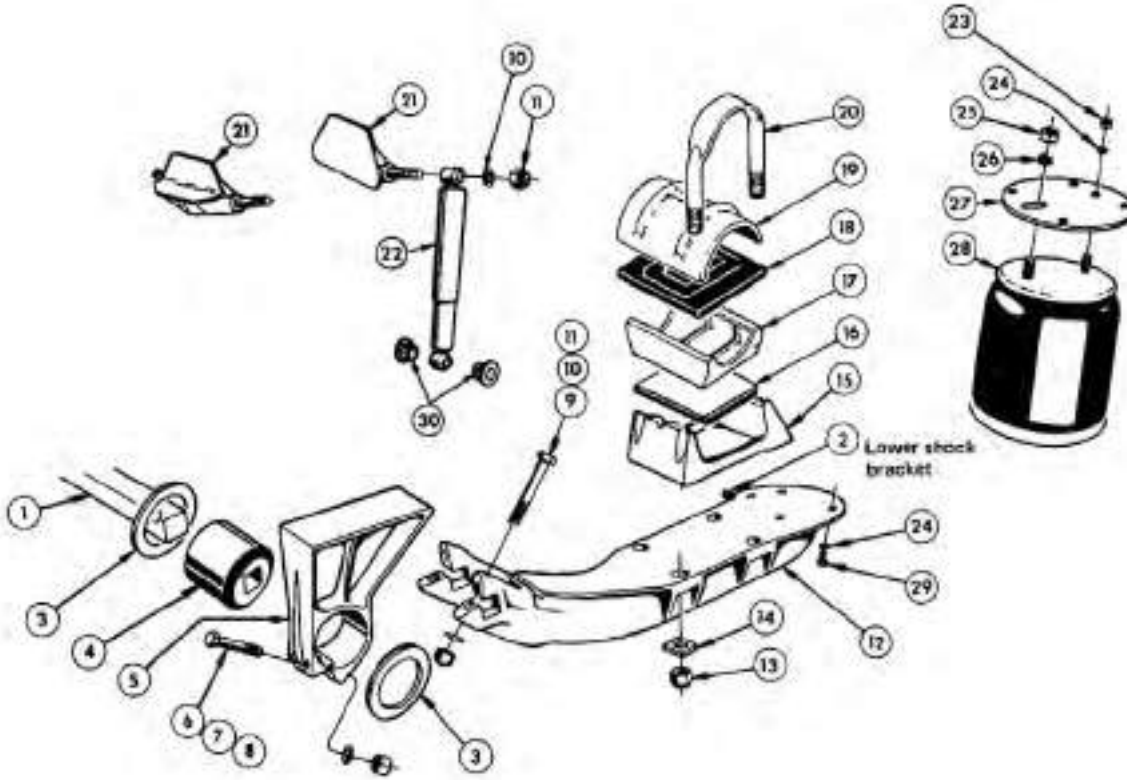


**DISCONTINUED MODEL
SERVICE PARTS ONLY**

Please contact Customer Service for part availability
800.876.3929

ITEM	DESCRIPTION	PART NUMBER	QTY REQD	MODEL	WEIGHT LBS. [KG]
1*	Torsion Bar 42.88 (Other Lengths Available)	N/A	1	All	N/A
2	Lower Shock Mounting Bracket	90518008	2	AR-120/125-US	1.64 [0.74]
	Lower Shock Mounting Bracket	90518027	2	AR-120/125-US-L-1,-2,-3	4.00 [1.81]
3	Spacer Washer 3 17/32 x 5.50 x.25"	93600035	4	All	1.00 [0.45]
4	Rubber Bushing	N/A	2	All	N/A
5	Frame Bracket	90018010	2	AR-120/125-US	25.76 [11.68]
	Frame Bracket	90018011	2	AR-120/125-US-L-1,-2,-3	31.91 [14.47]
6	Cap Screw .63-11 x 3.75" Gr8	93003389	4	All	0.37 [0.17]
7	Washer .63 HT	93600150	4	All	0.03 [0.01]
8	Lock Nut .63-11 GrC	93400490	4	All	0.07 [0.03]
9	Cap Screw .75-10 x5" Gr5	93003633	4	All	0.72 [0.33]
10	Washer .75 HT	93600156	8	All	0.04 [0.02]
11	Lock Nut .75-10 GrB	93400492	8	All	0.13 [0.06]
12	Equalizing Beam LH (Includes Item #2)	90515026	1	AR-120/125-US	76.00 [34.47]
	Equalizing Beam LH (Includes Item #2)	90515021	1	AR-120/125-US-L-1,-2,-3	86.00 [39.01]
	Equalizing Beam RH (Includes Item #2)	90515027	1	AR-120/125-US	76.00 [34.47]
	Equalizing Beam RH (Includes Item #2)	90515022	1	AR-120/125-US-L-1,-2,-3	87.00 [39.46]
13	Lock Nut 1-8 GrC	93400502	8	All	0.34 [0.15]
14	Washer 1Sq	93600028	8	All	0.30 [0.14]
15	Axle Beam Seat 3.50 High	90001006	2	AR-120/125-US, -L-3	16.82 [7.63]
	Axle Beam Seat HD	90001119	2	AR-120/125-US	20.69 [9.38]
	Axle Beam Seat 5.25 High	90001007	2	AR-120/125-US-L-2	22.00 [9.98]
	Axle Beam Seat 6.50 High	90001008	2	AR-120/125-US-L-1	27.60 [12.52]
16	Steel Rubber Pad (New Style)	90028083	2	All	1.90 [0.86]
	Rubber Pad (Old Style)	90028016	2	All	1.68 [0.76]
17	Axle Adapter (New Style)	90001082	2	All	9.00 [4.08]
18	Rubber Wrapper (New Style)	90028047	2	All	1.29 [0.59]
	Rubber Wrapper (Old Style)	90028007	2	All	0.83 [0.37]
19	Axle Cap (New Style)	90010032	2	All	6.55 [2.97]
20	U-Bolt 1-8 x9 Gr8 5 Rd Axle	90041878	4	AR-120/125-US, -L-3	1.88 [0.85]
	U-Bolt 1-8 x 11 5 Rd Axle	90041886	4	AR-120/125-US-L-2	4.84 [2.19]
	U-Bolt 1-8 x 12.50 5 Rd Axle	90042792	4	AR-120/125-US-L-1	0.62 [0.28]
21	Upper Shock Mounting Bracket	90518011	1	AR-120/125-US	5.00 [2.27]
	Upper Shock Mounting Bracket	90018301	2	AR-120/125-US-L-1,-2,-3	5.00 [2.27]
22	Shock Absorber	90044626	2	AR-120/125-US	8.15 [3.70]
	Shock Absorber	90044625	2	AR-120/125-US-L-1,-2,-3	5.69 [2.58]
23	Hex But .50-13 GrB	93400136	8	All	0.40 [0.18]
24	Lock Washer .50	93600072	16	All	0.02 [0.01]
25	Hex But .75 - 16 GrB	93400149	2	All	0.12 [0.05]
26	Lock Washer .75	93600077	2	All	0.04 [0.02]
27	Air Spring Mounting Plate	90033785	2	All	4.10 [1.86]
28	Air Spring Assembly	90557027	2	AR-120-US	15.00 [6.80]
	Air Spring Assembly	90557078	2	AR-125-US	23.00 [10.43]
	Air Spring Assembly	90557009	2	AR-120-US-L-1,-2,-3	21.00 [9.53]
	Air Spring Assembly	90557077	2	AR-125-US-L-1,-2,-3	22.00 [9.97]
29	Cap Screw .50-13 x 1" Gr2	93002893	8	All	0.08 [0.04]
30	Replacement Shock Bushing	90508004	8	All	0.20 [0.10]
31	Cap Screw .75 - 10 x 3.50" GrB	93003597	2	AR-120/125-US-L-1,-2,-3	0.52 [0.24]
SERVICE REPAIR KITS					
	SRK-4 - Axle Connection (5" Round: Old Style)	48100008	1	AR-120/AR-125-US,	27.00 [12.25]
	SRK-64 - Axle Connection (5" Round: New Style)	48100108	1	AR-120/AR-125-US, AR-120/AR-125-US-L-3	28.00 [12.70]
	SRK-66 - Axle Connection (5" Round: New Style)	48100110	1	AR-120/AR-125-US-L-2	28.00 [12.70]
	SRK-68 - Axle Connection (5" Square: New Style)	48100112	1	AR-120/AR-125-US, AR-120/AR-125-US-L-3	37.00 [16.78]
	SRK-128 - Axle Connection (5" Round: New Style)	48100181	1	AR-120/AR-125-US-L-1	35.00 [15.88]

* Torsion Bar Length = Beam Centers + 7.88"



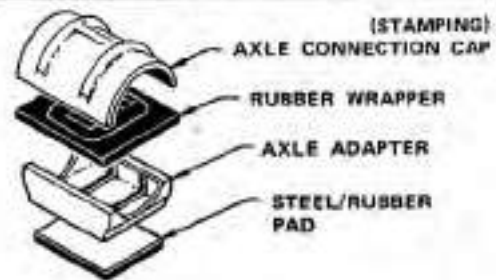
NOTE: For 15" wheel axle connection parts, with cam on horizontal centerline, refer to page 2-206.

OLD STYLE
5" Rd. & 5" Sq.



NEW STYLE

5" Rd. (all parts) & 5" Sq. (axle adapter & pad)



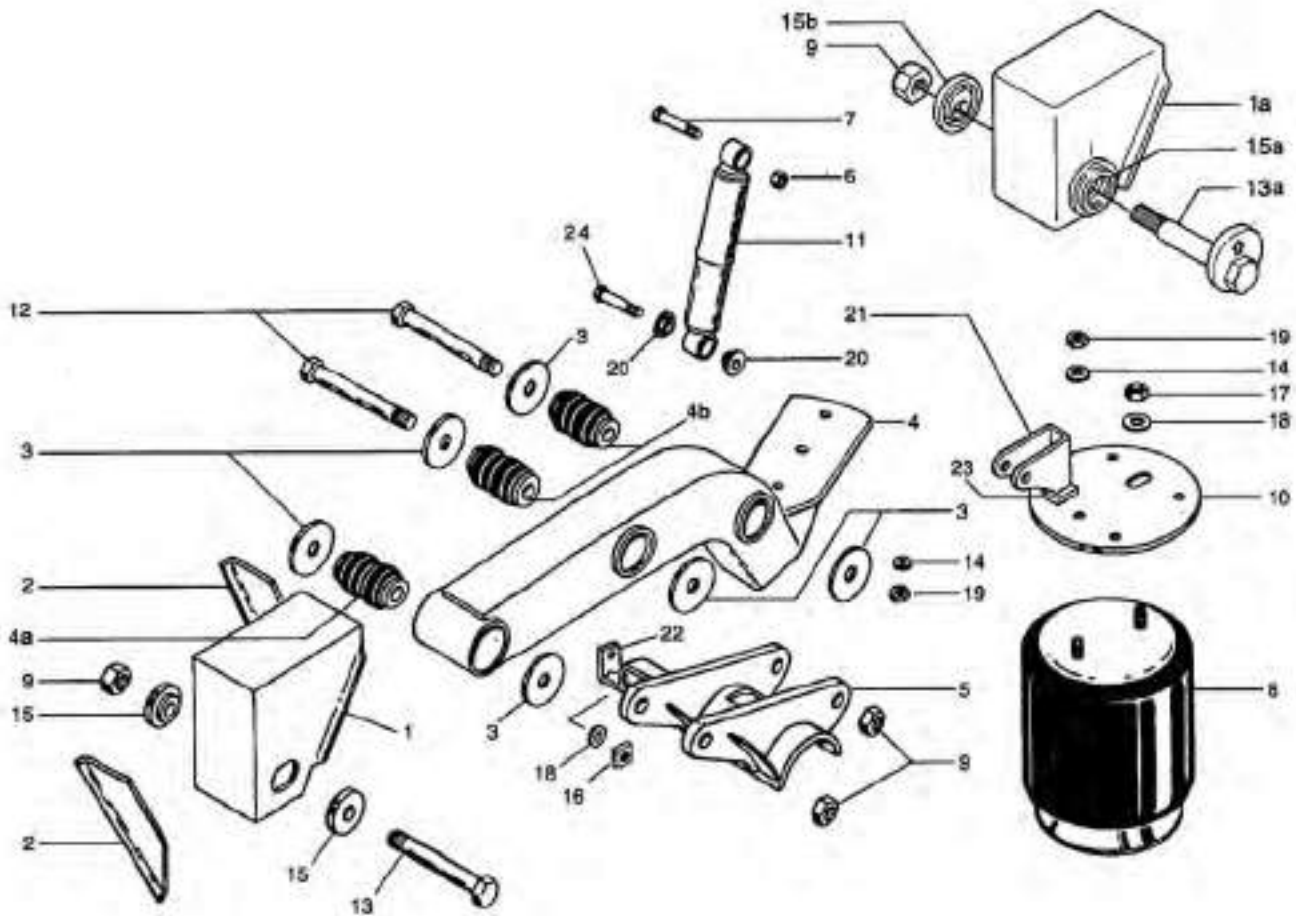
**DISCONTINUED MODEL
SERVICE PARTS ONLY**

Please contact Customer Service for part availability
800.876.3929

ITEM	DESCRIPTION	PART NUMBER	QTY REQD	MODEL	WEIGHT LBS. [KG]
1*	Torsion Bar 42.88 (Other Lengths Available)	N/A	1	All	N/A
2	Lower Shock Mounting Bracket	90518008	2	All	1.64 [0.74]
3	Spacer Washer 3 17/32 x 5.50 x.25"	93600035	4	All	1.00 [0.45]
4	Rubber Bushing	N/A	2	All	N/A
5	Frame Bracket	90018010	2	All	25.76 [11.68]
6	Cap Screw .63-11 x3.75" Gr8	93003389	4	All	0.37 [0.17]
7	Washer .63 HT	93600150	4	All	0.03 [0.01]
8	Lock Nut .63-11 GrC	93400490	4	All	0.07 [0.03]
9	Cap Screw .75-10 x5" Gr5	93003633	4	All	0.72 [0.33]
10	Washer .75 HT	93600156	8	All	0.04 [0.02]
11	Lock Nut .75-10 GrB	93400492	8	All	0.13 [0.06]
12	Equalizing Beam LH (Includes Item #2)	90515610	1	All	80.60 [36.55]
	Equalizing Beam RH (Includes Item #2)	90515611	1	All	80.60 [36.55]
13	Lock Nut 1-8 GrC	93400502	8	All	0.34 [0.15]
14	Square Washer 1	93600028	8	All	0.30 [0.14]
15	Axle Beam Seat 3.50" High	90001006	2	All	16.82 [7.63]
16	Steel Rubber Pad (New Style)	90028083	2	All	1.90 [0.86]
	Rubber Pad (Old Style)	90028016	2	All	1.68 [0.76]
17	Axle Adapter (New Style)	90001082	2	All	9.00 [4.08]
18	Rubber Wrapper (New Style)	90028047	2	All	1.29 [0.59]
	Rubber Wrapper (Old Style)	90028007	2	All	0.83 [0.37]
19	Axle Cap (New Style)	90010032	2	All	6.55 [2.97]
20	U-Bolt 1-8 x 9 Gr8	90041878	4	All	1.88 [0.85]
21	Upper Shock Mounting Bracket	90518011	1	All	5.00 [2.27]
22	Shock Absorber	90044626	2	All	8.15 [3.70]
23	Hex Nut .50 - 13 GrB	93400136	8	All	0.40 [0.18]
24	Lock Washer .50	93600072	16	All	0.02 [0.01]
25	Hex Nut .75-16 GrB	93400149	2	All	0.12 [0.05]
26	Lock Washer .75	93600077	2	All	0.04 [0.02]
27	Air Spring Mounting Plate	90033785	2	All	4.10 [1.86]
28	Air Spring Assembly	90557027	2	AR-120-US-F	15.00 [6.80]
	Air Spring Assembly	90557078	2	AR-125-US-F	23.00 [10.43]
29	Cap Screw .50 - 13 x 1" Gr2	93002893	8	All	0.08 [0.04]
30	Replacement Shock Bushing	90508004	8	All	0.20 [0.10]
SERVICE REPAIR KITS					
	SRK-4 - Axle Connection (5" Round: Old Style)	48100008	1	All	27.00 [12.25]
	SRK-64 - Axle Connection (5" Round: New Style)	48100108	1	All	28.00 [12.70]
	SRK-66 - Axle Connection (5" Square: New Style)	48100112	1	All	37.00 [16.78]

* Torsion Bar Length = Beam Centers + 7 .88"

AR-250-12, -14, -15, -16, -17 Exploded View

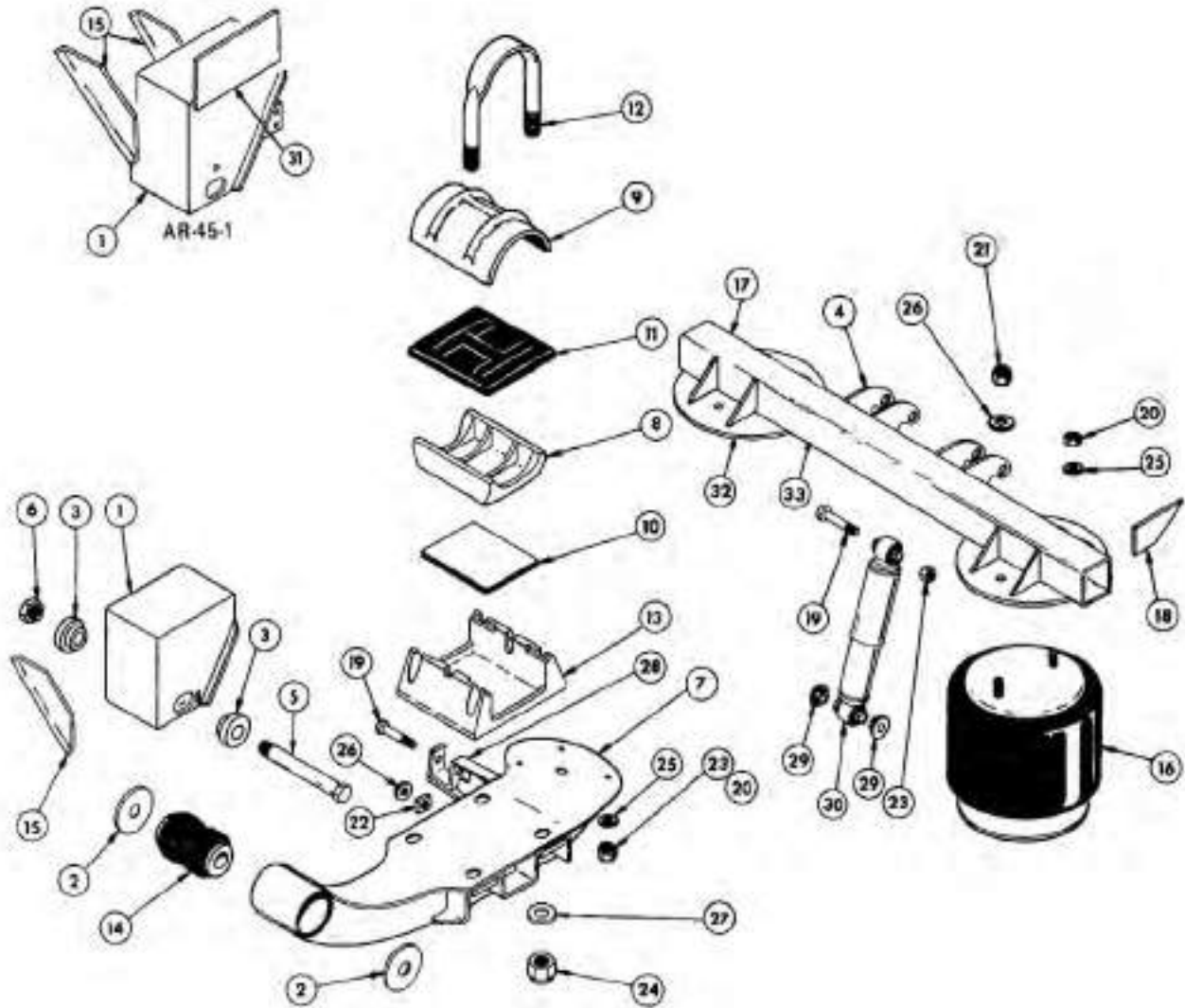


**DISCONTINUED MODEL
SERVICE PARTS ONLY**

Please contact Customer Service for part availability
800.876.3929

ITEM	DESCRIPTION	PART NUMBER	QTY REQD	MODEL	WEIGHT LBS. [KG]
1	Adjustable Frame Bracket	90520383	2*	12	12.80 [5.81]
	Adjustable Frame Bracket	90519710	2*	14,15	23.80 [10.80]
	Adjustable Frame Bracket	90520828	2*	16,17	28.80 [13.06]
1a	Non-Weld (EZ-ALIGN) Frame Bracket (Includes Item #15a)	90520636	1	14,15	25.20 [11.43]
	Non-Weld (EZ-ALIGN) Frame Bracket (Includes Item #15a)	90520839	1	16,17	30.30 [13.74]
2	Angle Brace	90023002	4	12,14,15	2.20 [1.00]
	Angle Brace	90023001	4	16,17	3.84 [1.74]
3	Spacer Washer	90036177	12	All	0.80 [0.36]
4	Equalizing Beam LH (Includes Item #4a, 4b)	90516587	1	All	80.00 [36.28]
	Equalizing Beam RH (Includes Item #4a, 4b)	90516588	1	All	80.00 [36.28]
4a	Rubber Bushing (Front Pivot)	90008139	2	All	4.68 [2.12]
4b	Rubber Bushing (Axle Connection)	90008149	4	All	2.50 [1.13]
5	Axle Adapter LH	90501289	1	All	32.00 [14.51]
	Axle Adapter RH	90501290	1	All	32.00 [14.51]
6	Lock Nut .75 - 10 GrB	93400492	2	All	0.13 [0.06]
7	Cap Screw .75 - 10 x 3.50" Gr5	93003597	2	All	0.52 [0.24]
8	Air Spring Assembly	90557168	2	12,16,17	18.00 [8.16]
	Air Spring Assembly	90557167	2	14,15	16.00 [7.25]
9	Nut, Hex Lock 1.13" - 7 GR-C	93400506	6	All	0.38 [0.17]
10	Air Spring Mounting Plate	90033785	2	All	4.10 [1.86]
11	Shock Absorber	90045054	2	12	4.49 [2.04]
	Shock Absorber	90044642	2	14,15	4.67 [2.12]
	Shock Absorber	90044089	2	16,17	5.63 [2.55]
12	Bolt, Hex, 1.12-7 X 8.75" Gr 8	93201051	4	All	2.80 [1.27]
13	Cap Screw 1 -.12 - 7 x 9.25"	93201055	2*	All	2.92 [1.32]
13a	Cap Screw 1 -.12 - 7 x 9.25" (Non-Weld Application)	90508019	1	All	4.00 [1.81]
14	Lock Washer .50"	93600072	4	All	0.02 [0.01]
15	Alignment Bushing	90008147	4*	All	1.50 [0.68]
15a	Alignment Bushing (Non-Weld Application)	90008185	2	All	0.59 [0.27]
15b	Alignment Bushing (Non-Weld Application)	90008186	1	All	1.01 [0.46]
16	Square Nut .75 - 10 Gr2	93400367	2	All	0.14 [0.06]
17	Hex Nut .75 - 16	93400149	2	All	0.12 [0.05]
18	Lock Washer .75"	93600077	4	All	0.04 [0.02]
19	Hex Nut .50 - 13	93400136	4	All	0.40 [0.18]
20	Replacement Shock Bushing	90508004	8	All	0.20 [0.10]
21	Upper Shock Bracket	90018515	2	All	2.10 [0.95]
22	Lower Shock Bracket	90519773	2	All	2.40 [1.09]
23	Plate	90033019	2	All	0.10 [0.05]
24	Cap Screw .75-10 x 4" Gr5	93003609	2	All	0.58 [0.26]
SERVICE REPAIR KITS					
	SRK-145 - Pivot Connection	48100202	1	All	19.54 [8.86]
	SRK-149 - Axle Connection (5" Round, 20" wheel)	48100206	1	All	32.28 [14.64]
	SRK-232 - Pivot Connection, Non-Weld (EZ-ALIGN)	48100294	1	All	12.00 [5.44]

* For Non-Weld application reduce Quantity Required by half.



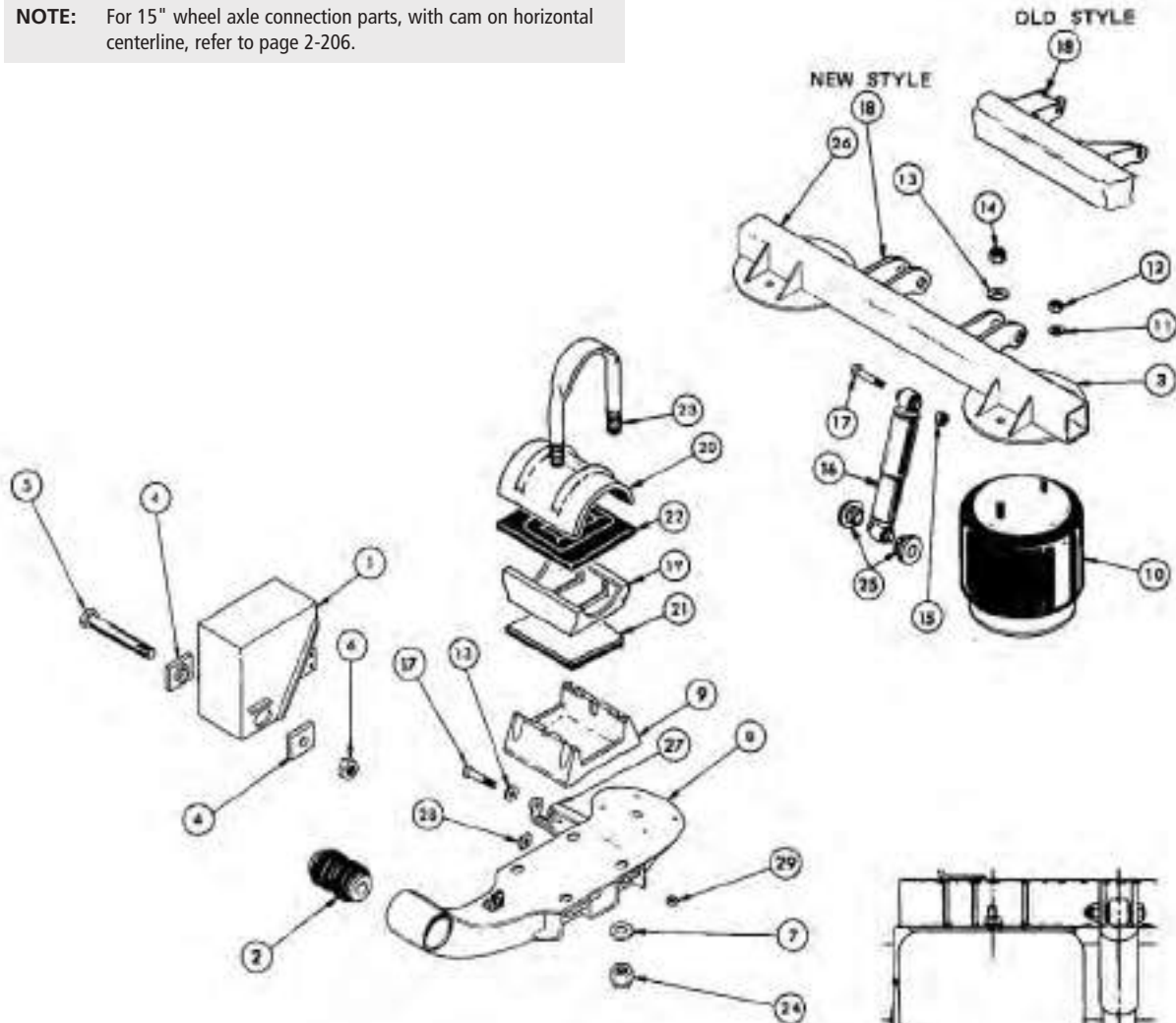
NOTE: For 15" wheel axle connection parts, with cam on horizontal centerline, refer to page 2-206.

**DISCONTINUED MODEL
SERVICE PARTS ONLY**

Please contact Customer Service for part availability
800.876.3929

ITEM	DESCRIPTION	PART NUMBER	QTY REQD	MODEL	WEIGHT LBS. [KG]
1	Frame Bracket Adjustable	90520189	2	AR-41	27.00 [12.25]
	Frame Bracket LH Adjustable	90520153	1	AR-45	12.20 [5.53]
	Frame Bracket LH Adjustable	90519714	1	AR-45-1	22.80 [10.34]
	Frame Bracket RH Adjustable	90520152	1	AR-45	11.90 [5.40]
	Frame Bracket RH Adjustable	90520151	1	AR-45-1	22.80 [10.34]
2	Spacer Washer	90036177	4	All	0.80 [0.36]
3	Alignment Bushing	90008147	4	All	1.50 [0.68]
4	Upper Shock Mounting Bracket	90032561	4	All	1.33 [0.60]
5	Cap Screw 1 - .12 - 7 x 9.25"	93201055	2	All	2.92 [1.32]
6	Nut, Hex Lock 1.13" - 7 GR-C	93400506	2	All	0.38 [0.17]
7	Equalizing Beam LH (Includes Item #13, 14, 28)	90516054	1	AR-41	94.00 [42.64]
	Equalizing Beam LH (Includes Item #13, 14, 28)	90515857	1	AR-45, AR-45-1	96.00 [43.54]
	Equalizing Beam RH (Includes Item #13, 14, 28)	90516055	1	AR-41	94.00 [42.64]
	Equalizing Beam RH (Includes Item #13, 14, 28)	90515858	1	AR-45, AR-45-1	96.00 [43.54]
8	Axle Adapter	90001082	2	All	9.00 [4.08]
9	Axle Cap	90010032	2	All	6.55 [2.97]
10	Steel/Rubber Pad	90028083	2	All	1.90 [0.86]
11	Rubber Wrapper	90028047	2	All	1.29 [0.59]
12	U-Bolt 1-8 x 9 Gr8 5 Rd	90041878	4	All	1.88 [0.85]
13	Beam Seat	90001006	2	All	16.82 [7.63]
14	Rubber Bushing	90008139	2	All	4.68 [2.12]
15	Angle Brace	90023002	2	AR-41, AR-45	2.20 [1.00]
	Angle Brace	90023003	4	AR-45-1	N/A
16	Air Spring Assembly (Aluminum Piston)	90557023	2	All	13.00 [5.90]
	Air Spring Assembly (Composite Piston)	90557129	2	All	10.00 [4.54]
17	Crossmember Assembly (Includes Item #4, 32, 33)	90544615	1	AR-41	N/A
	Crossmember Assembly (Includes Item #4, 32, 33)	90544573	1	AR-45, AR-45-1	50.80 [23.04]
18	Gusset	90031443	2	All	0.74 [0.34]
19	Cap Screw .75 - 10 x 3.50" Gr5	93003597	4	AR-41	0.52 [0.24]
	Cap Screw .75 - 10 x 3.50" Gr5 (Upper Shock Bracket)	93003597	2	AR-45, AR-45-1	0.52 [0.24]
	Cap Screw .75 - 10 x 4" (Lower Shock Bracket)	93003609	2	AR-45, AR-45-1	0.58 [0.26]
20	Hex Nut .50 - 13 GrB (90557023 Air Spring)	93400136	2	All	0.40 [0.18]
	Hex Nut .50 - 13 GrB (90557129 Air Spring)	93400136	4	All	0.40 [0.18]
21	Hex Nut .75 - 16 GrB	93400149	2	All	0.12 [0.05]
22	Square Nut .75 - 10 GrA	93400367	2	All	0.14 [0.06]
23	Lock Nut .75 - 10 (90557023 Air Spring)	93400492	4	All	0.13 [0.06]
	Lock Nut .75 - 10 (90557129 Air Spring)	93400492	2	All	0.13 [0.06]
24	Lock Nut 1-8 GrC	93400502	8	All	0.34 [0.15]
25	Lock Washer .50" (90557023 Air Spring)	93600072	2	All	0.02 [0.01]
	Lock Washer .50" (90557129 Air Spring)	93600072	4	All	0.02 [0.01]
26	Lock Washer .75"	93600077	4	All	0.04 [0.02]
27	Washer 1 ID	93900027	8	All	0.04 [0.02]
28	Lower Shock Bracket	90519009	2	AR-41	4.00 [1.81]
	Lower Shock Bracket	90519425	2	AR-45, AR-45-1	5.40 [2.45]
29	Replacement Shock Bushing	90508004	8	All	0.20 [0.10]
30	Shock Absorber	90044162	2	All	4.85 [2.20]
31	Plate	90031437	2	AR-45-1	2.45 [1.11]
32	Air Spring Mounting Plate	90031025	2	All	6.19 [2.81]
33	3.0 OD x.25 WA x 46.0 Tube	90038249	1	AR-41	33.00 [14.97]
	3.0 OD x.25 WA x 42.0 Tube	90038056	1	AR-45, AR-45-1	30.80 [13.97]
SERVICE REPAIR KITS					
	SRK-64 - Axle Connection (5" Round, New Style)	48100108	1	All	28.00 [12.70]
	SRK-68 - Axle Connection (5" Square, 20" wheel)	48100112	1	All	37.00 [16.78]
	SRK-145 - Pivot Connection	48100202	1	All	19.54 [8.86]

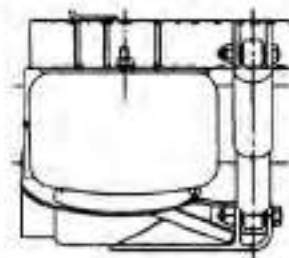
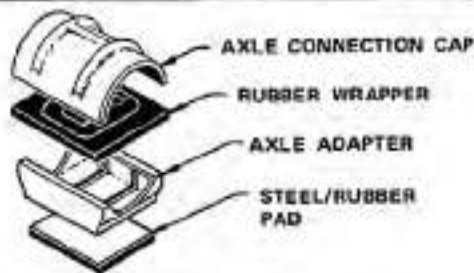
NOTE: For 15" wheel axle connection parts, with cam on horizontal centerline, refer to page 2-206.



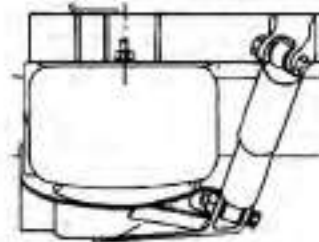
OLD STYLE
5" Rd. & 5" Sq.



NEW STYLE
5" Rd. (all parts) & 5" Sq. (axle adapter & pad)



NEW STYLE



OLD STYLE

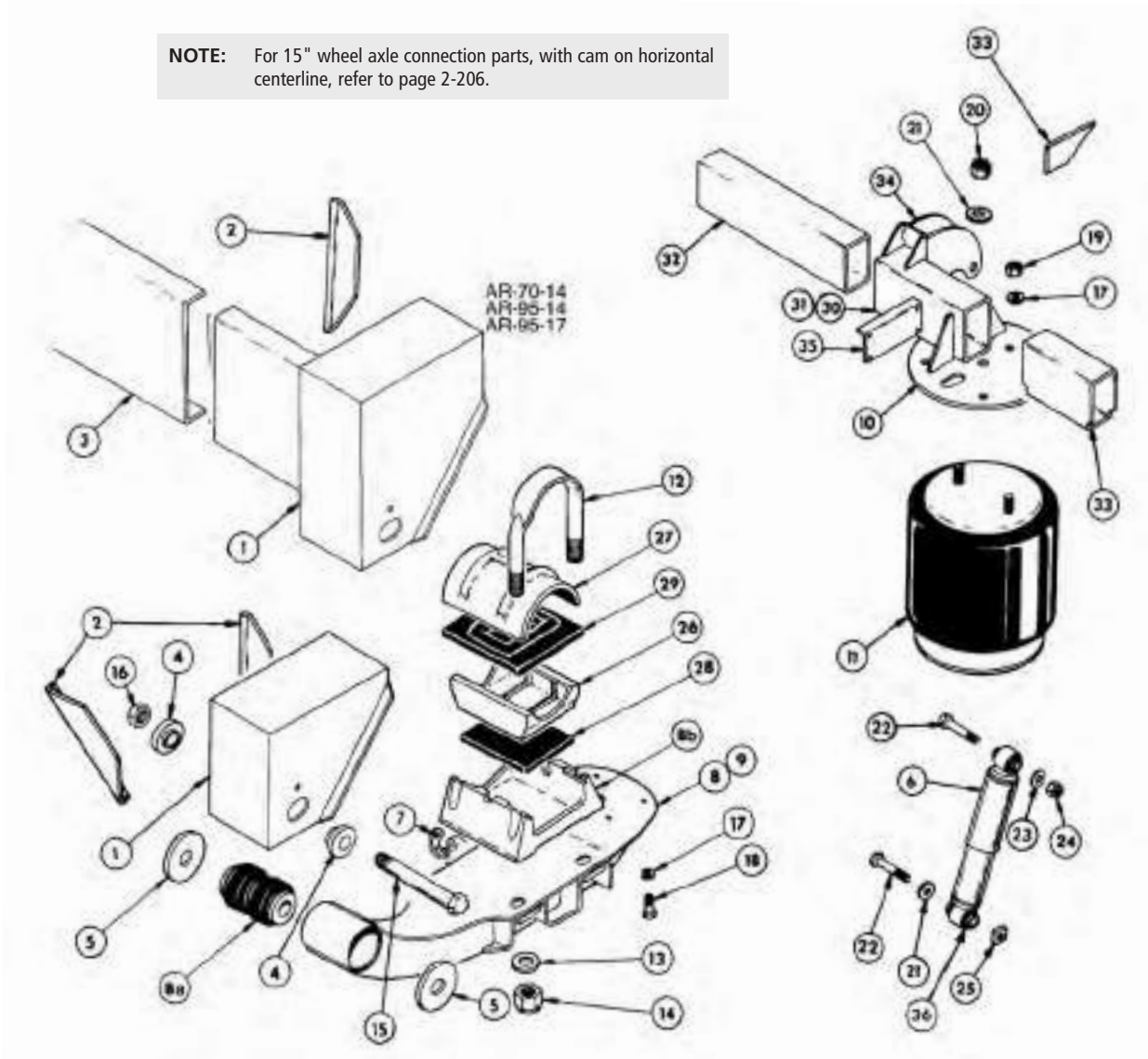
**DISCONTINUED MODEL
SERVICE PARTS ONLY**

Please contact Customer Service for part availability
800.876.3929

ITEM	DESCRIPTION	PART NUMBER	QTY REQD	MODEL	WEIGHT LBS. [KG]
1	Frame Bracket Assembly Adjustable	90518081	2	AR-50-US, F-1	18.00 [8.16]
	Frame Bracket Assembly Adjustable	90518078	2	AR-50-US-F, F-2	13.00 [5.90]
2	Rubber Bushing	90008131	2	All	0.80 [0.36]
3	Air Spring Mounting Plate	90031027	2	All	5.30 [2.40]
4	Alignment Block	90001045	2	All	1.22 [0.55]
5	Cap Screw 1.12-7 x 8.50" Gr5	93201045	2	All	2.70 [1.22]
6	Nut, Hex Lock 1.13" - 7 GR-C	93400506	2	All	0.38 [0.17]
7	Washer 1 ID	93900027	8	All	0.04 [0.02]
8	Equalizing Beam LH (New Style)	90516008	1	AR-50-US	94.00 [42.64]
	Equalizing Beam LH (New Style)	90516000	1	AR-50-US-F, F-1, F-2	110.00 [49.90]
	Equalizing Beam LH (Old Style)	90515141	1	AR-50-US	94.00 [42.64]
	Equalizing Beam LH (Old Style)	90515132	1	AR-50-US-F, F-1, F-2	97.00 [44.00]
	Equalizing Beam RH (New Style)	90516009	1	AR-50-US	94.00 [42.64]
	Equalizing Beam RH (New Style)	90516001	1	AR-50-US-F, F-1, F-2	97.00 [44.00]
	Equalizing Beam RH (Old Style)	90515142	1	AR-50-US	94.00 [42.64]
	Equalizing Beam RH (Old Style)	90515131	1	AR-50-US-F, F-1, F-2	97.00 [44.00]
9	Beam Seat	90001006	2	All	16.82 [7.63]
10	Air Spring Assembly	90557023	2	All	13.00 [5.90]
11	Lock Washer .50"	93600072	2	All	0.02 [0.01]
12	Hex Nut .50 - 13 GrB	93400136	2	All	0.40 [0.18]
13	Lock Washer .75	93600077	4	All	0.04 [0.02]
14	Hex Nut .75 - 16 GrB	93400149	2	All	0.12 [0.05]
15	Lock Nut .75 - 10 GrB	93400492	2	All	0.13 [0.06]
16	Shock Absorber	90044162	2	All	4.85 [2.20]
17	Cap Screw .75 - 10 x 3.50" GrB	93003599	4	All	1.00 [0.45]
18	Upper Shock Mounting Bracket (New Style)	90032561	4	AR-50-US, F, F-1	1.33 [0.60]
	Upper Shock Mounting Bracket (Old Style)	90018061	1	AR-50-US, F, F-1	3.00 [1.36]
	Upper Shock Mounting Bracket (Old Style)	90018062	1	AR-50-US, F, F-1	3.00 [1.36]
	Upper Shock Mounting Bracket (New Style)	90519040	2	AR-50-US-F-2	1.42 [0.64]
	Upper Shock Mounting Bracket (Old Style)	90018114	2	AR-50-US-F-2	N/A
19	Axle Adapter (New Style)	90001082	2	All	9.00 [4.08]
20	Axle Cap (New Style)	90010032	2	All	6.55 [2.97]
21	Steel/Rubber Pad (New Style)	90028083	2	All	1.90 [0.86]
	Rubber Pad (Old Style)	90028016	2	All	1.68 [0.76]
22	Rubber Wrapper (New Style)	90028047	2	All	1.29 [0.59]
	Rubber Wrapper (Old Style)	90028007	2	All	0.83 [0.37]
23	U-Bolt 1-8 x 9 Gr8	90041878	4	All	1.88 [0.85]
24	Lock Nut 1-8 GrC	93400502	8	All	0.34 [0.15]
25	Replacement Shock Bushing	90508004	8	All	0.20 [0.10]
26	Crossmember Assembly (New Style)	90544573	1	All	50.80 [23.04]
	Crossmember Assembly (Old Style)	90518065	1	AR-50-US	53.00 [24.04]
27	Lower Shock Bracket (New Style)	90519009	2	All	4.00 [1.81]
	Lower Shock Bracket (Old Style)	90018067	2	All	2.87 [1.30]
28	Square Nut .75 - 10 GrA	93400367	2	All	0.14 [0.06]
29	Lock Nut .75-10 GrB	93400553	2	All	0.07 [0.03]
SERVICE REPAIR KITS					
	SRK-48A - Pivot Connection	48100193	1	All	11.00 [4.99]
	SRK-49 - Axle Connection (5" Round, Old Style)	48100018	1	All	15.00 [6.80]
	SRK-64 - Axle Connection (5" Round, New Style)	48100108	1	All	28.00 [12.70]
	SRK-68 - Axle Connection (5" Square, 20" wheel)	48100112	1	All	37.00 [16.78]

AR-70-9, -14, AR-95-9, -12, -14, -17 Exploded View

NOTE: For 15" wheel axle connection parts, with cam on horizontal centerline, refer to page 2-206.



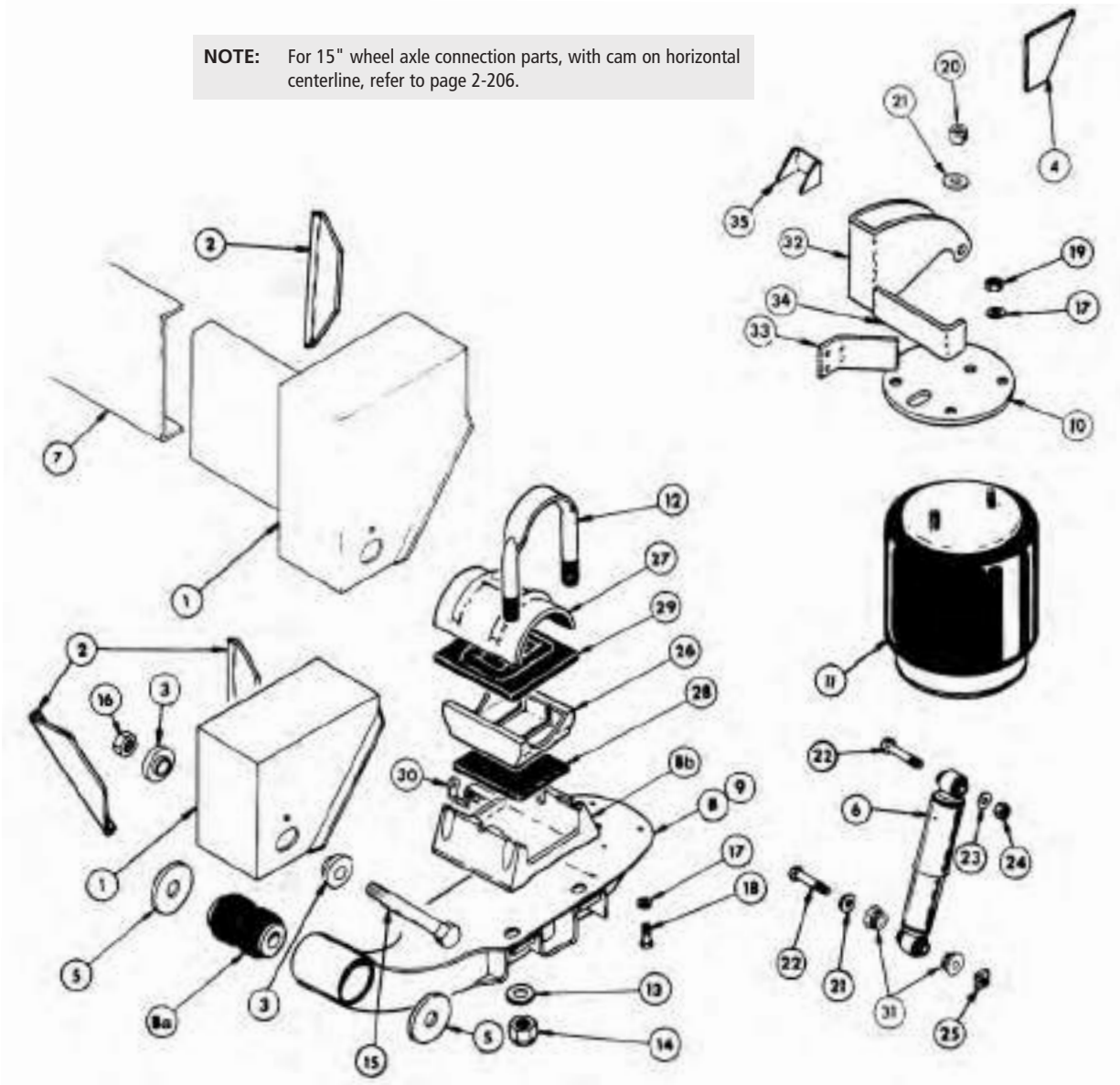
DISCONTINUED MODEL SERVICE PARTS ONLY

Please contact Customer Service for part availability
800.876.3929

ITEM	DESCRIPTION	PART NUMBER	QTY REQD	MODEL	RIDE HEIGHT	WEIGHT LBS. [KG]
1	Frame Bracket Assembly Adjustable	90518714	2	AR-95	9,12	47.00 [21.32]
	Frame Bracket Assembly Adjustable	90518716	2	AR-70	9	34.00 [15.42]
	Frame Bracket Assembly RH Fixed (Includes Item #4)	90518719	1	AR-95	14,17	72.00 [32.66]
	Frame Bracket Assembly LH Adjustable	90518720	1	AR-95	14,17	72.00 [32.66]
	Frame Bracket Assembly RH Fixed (Includes Item #4)	90518721	1	AR-70	14	72.00 [32.66]
	Frame Bracket Assembly LH Adjustable	90518722	1	AR-70	14	72.00 [32.66]
2	Angle Brace	90023002	4	AR-70	9	2.20 [1.00]
	Angle Brace	90023866	4	AR-95	9,12	5.05 [2.30]
	Angle Brace	90023866	2	AR-70	14	5.05 [2.30]
	Angle Brace LH	90023918	1	AR-95	14,17	6.67 [3.02]
	Angle Brace RH	90023919	1	AR-95	14,17	6.60 [3.00]
3	Channel	41023327	1	AR-70	All	17.90 [8.12]
4	Adjusting Bushing	90008092	4	AR-70,95	All	0.96 [0.44]
5	Spacer Washer	90036177	4	AR-70,95	All	0.80 [0.36]

ITEM	DESCRIPTION	PART NUMBER	QTY REQD	MODEL	RIDE HEIGHT	WEIGHT LBS. [KG]
6	Shock Absorber	90044626	2	AR-70	All	8.15 [3.70]
	Shock Absorber	90044625	2	AR-95	All	5.69 [2.58]
7	Lower Shock Bracket	90018179	2	AR-70,95	All	5.61 [2.54]
8	Equalizing Beam Assembly LH (Includes Item #8a, 8b, 7)	90515624	1	AR-70	All	102.00 [46.27]
	Equalizing Beam Assembly LH (Includes Item #8a, 8b, 7)	90515667	1	AR-95	9,14	119.00 [53.98]
	Equalizing Beam Assembly LH (Includes Item #8a, 8b, 7)	90515624	1	AR-95	12,17	102.00 [46.27]
8a	Rubber Bushing	90008139	2	AR-70,95	All	4.68 [2.12]
8b	Beam Seat	90001006	2	AR-70	All	16.82 [7.63]
	Beam Seat	90001006	2	AR-95	12,17	16.82 [7.63]
	Beam Seat	90001008	2	AR-95	9,14	27.60 [12.52]
9	Equalizing Beam Assembly RH (Includes Item #8a, 8b, 7)	90515625	1	AR-70	All	102.00 [46.27]
	Equalizing Beam Assembly RH (Includes Item #8a, 8b, 7)	90515668	1	AR-95	9,14	119.00 [53.98]
	Equalizing Beam Assembly RH (Includes Item #8a, 8b, 7)	90515625	1	AR-95	12,17	102.00 [46.27]
10	Air Spring Mounting Plate	90033785	2	AR-70,95	All	4.10 [1.86]
11	Air Spring Assembly	90557078	2	AR-70	All	23.00 [10.43]
	Air Spring Assembly	90557077	2	AR-95	All	22.00 [9.97]
12	U-Bolt 1-8 x 9" 5" Rd	90041878	4	AR-70	All	1.88 [0.85]
	U-Bolt 1-8 x 9" 5" Rd	90041878	4	AR-95	12,17	1.88 [0.85]
	U-Bolt 1-8 x 12.50" 5" Rd	90042792	4	AR-95	9,14	0.62 [0.28]
	U-Bolt 1-8 x 12.50" 5" Sq	90042795	4	AR-95	9,14	5.67 [2.57]
	U-Bolt 1-8 x 9.50" 5" Sq	90041997	4	AR-95	12,17	4.58 [2.08]
13	Flat Washer 1"	93900027	8	AR-70,95	All	0.04 [0.02]
14	Lock Nut 1"-8	93400502	8	AR-70,95	All	0.34 [0.15]
15	Bolt 1.13-7 x 9.25"	93201055	2	AR-70,95	All	2.92 [1.32]
16	Nut, Hex Lock 1.13" - 7 GR-C	93400506	2	AR-70,95	All	0.38 [0.17]
17	Lock Washer .50"	93600072	8	AR-70,95	All	0.02 [0.01]
18	Bolt .50"-13 x 1"	93002893	6	AR-70,95	All	0.08 [0.04]
19	Hex Nut .50"-13	93400136	2	AR-70,95	All	0.40 [0.18]
20	Hex Nut .75"-16	93400149	2	AR-70,95	All	0.12 [0.05]
21	Lock Washer .75"	93600077	4	AR-70,95	All	0.04 [0.02]
22	Cap Screw .75"-10 x 3.75"	93003603	4	AR-70,95	All	0.54 [0.24]
23	Flat Washer .75"	93600156	2	AR-70,95	All	0.04 [0.02]
24	Lock Nut .75"-10	93400492	2	AR-70,95	All	0.13 [0.06]
25	Square Nut .75"-10	93400367	2	AR-70,95	All	0.14 [0.06]
26	Axle Adapter 5" Rd	90001082	2	AR-70,95	All	9.00 [4.08]
	Axle Adapter 5" Sq	90001083	2	AR-70,95	All	6.58 [2.98]
27	Axle Cap 5" Rd	90010032	2	AR-70,95	All	6.55 [2.97]
	Axle Cap 5" Sq	90010022	2	AR-70,95	All	9.86 [4.47]
28	Rubber Pad	90028083	2	AR-70,95	All	1.90 [0.86]
29	Rubber Wrapper 5" Rd	90028047	2	AR-70,95	All	1.29 [0.59]
	Rubber Wrapper 5" Sq	90028073	2	AR-70,95	All	1.36 [0.61]
30	Crossmember Assembly LH (Includes Item #10, 34, 35)	90518723	1	AR-70	9	26.00 [11.79]
	Cross member Assembly LH (Includes Item #10, 34, 35)	90518728	1	AR-70	14	34.00 [15.42]
	Crossmember Assembly LH (Includes Item #10, 34, 35)	90518727	1	AR-95	9,12	25.00 [11.34]
	Crossmember Assembly LH (Includes Item #10, 34, 35)	90518726	1	AR-95	14,17	35.00 [15.88]
31	Crossmember Assembly RH (Includes Item #10, 34, 35)	90518751	1	AR-70	9	27.00 [12.25]
	Crossmember Assembly RH (Includes Item #10, 34, 35)	90518752	1	AR-70	14	33.00 [14.97]
	Crossmember Assembly RH (Includes Item #10, 34, 35)	90518754	1	AR-95	9,12	27.00 [12.25]
	Crossmember Assembly RH (Includes Item #10, 34, 35)	90518753	1	AR-95	14,17	37.00 [16.78]
32	Channel Assembly	90538008	1	AR-70,95	All	13.00 [5.90]
33	Channel Assembly	90538007	2	AR-70	9	6.00 [2.72]
	Channel Assembly	90538007	2	AR-95	9,12	6.00 [2.72]
	Gusset	90032137	2	AR-70	14	1.22 [0.55]
	Gusset	90032137	2	AR-95	14,17	1.22 [0.55]
34	Upper Shock Bracket	90018322	2	AR-70,95	All	8.05 [3.65]
35	Bracket	90023865	2	AR-70,95	All	0.90 [0.41]
36	Replacement Shock Bushing	90508004	8	AR-70,95	All	0.20 [0.10]
SERVICE REPAIR KITS						
	SRK-64 - Axle Connection (5" Round)	48100108	1	AR-70 AR-95	9,14, 12,17	28.00 [12.70]
	SRK-68 - Axle Connection (5" Square, 20" Wheels)	48100112	1	AR-70 AR-95	9,14, 12,17	37.00 [16.78]
	SRK-128 - Axle Connection (5" Round)	48100181	1	AR-95	9,14	35.00 [15.88]
	SRK-145 - Pivot Connection	48100202	1	AR-70,95	All	19.54 [8.86]

NOTE: For 15" wheel axle connection parts, with cam on horizontal centerline, refer to page 2-206.



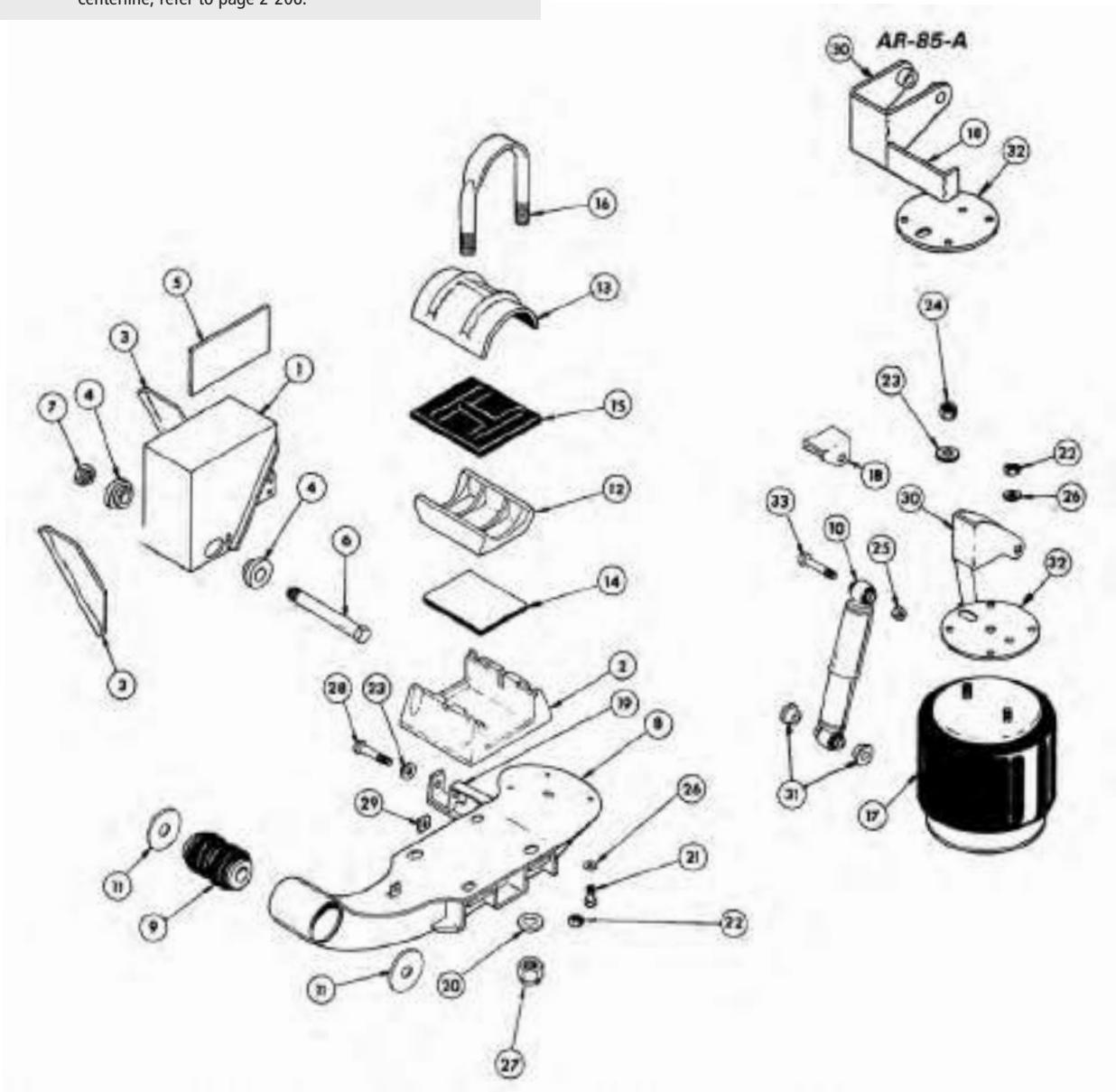
**DISCONTINUED MODEL
SERVICE PARTS ONLY**

Please contact Customer Service for part availability
800.876.3929

ITEM	DESCRIPTION	PART NUMBER	QTY REQD	MODEL	RIDE HEIGHT	WEIGHT LBS. [KG]
1	Frame Bracket Assembly LH Adjustable	90519692	1	AR-70A	9	22.50 [10.21]
	Frame Bracket Assembly RH Fixed	90519694	1	AR-70A	9	25.30 [11.48]
	Frame Bracket Assembly Adjustable	90519696	2	AR-95A	9,12	29.10 [13.20]
	Frame Bracket Assembly LH Adjustable	90519700	1	AR-70A	14	43.70 [19.82]
	Frame Bracket Assembly RH Fixed	90519703	1	AR-70A	14	46.50 [21.09]
	Frame Bracket Assembly LH Adjustable	90519704	1	AR-95A	14,17	51.20 [23.22]
	Frame Bracket Assembly RH Fixed	90519705	1	AR-95A	14,17	51.20 [23.22]
2	Angle Brace	90023002	4	AR-70A	9	2.20 [1.00]
	Angle Brace	90023866	4	AR-95A	9,12	5.05 [2.30]
	Angle Brace	90023866	2	AR-70A	14	5.05 [2.30]
	Angle Brace LH	90023918	1	AR-95A	14,17	6.67 [3.02]
	Angle Brace RH	90023919	1	AR-95A	14,17	6.60 [3.00]
3	Alignment Bushing	90008147	4	AR-70A, 95A	All	1.50 [0.68]
4	Gusset	90032137	2	AR-70A	14	1.22 [0.55]
	Gusset	90032137	2	AR-95A	14,17E	1.22 [0.55]
5	Spacer Washer	90036177	4	AR-70A, 95A	All	0.80 [0.36]
6	Shock Absorber	90044626	2	AR-70A	All	8.15 [3.70]
	Shock Absorber	90044625	2	AR-95A	All	5.69 [2.58]
7	Channel	41023327	1	AR-70A	14	17.90 [8.12]
	Channel	41023327	1	AR-95A	14,17	17.90 [8.12]
8	Equalizing Beam Assembly LH (Includes Item #8a, 8b, 30)	90516074	1	AR-70A	All	103.00 [46.72]
	Equalizing Beam Assembly LH (Includes Item #8a, 8b, 30)	90516074	1	AR-95A	12,17	103.00 [46.72]
	Equalizing Beam Assembly LH (Includes Item #8a, 8b, 30)	90516078	1	AR-95A	9,14	120.00 [54.43]
8a	Rubber Bushing	90008139	2	AR-70A, 95A	All	4.68 [2.12]
8b	Beam Seat	90001006	2	AR-70A	All	16.82 [7.63]
	Beam Seat	90001006	2	AR-95A	12,17	16.82 [7.63]
	Beam Seat	90001008	2	AR-95A	9,14	27.60 [12.52]
9	Equalizing Beam Assembly RH (Includes Item #8a, 8b, 30)	90516075	1	AR-70A	All	103.00 [46.72]
	Equalizing Beam Assembly RH (Includes Item #8a, 8b, 30)	90516075	1	AR-95A	12,17	103.00 [46.72]
	Equalizing Beam Assembly RH (Includes Item #8a, 8b, 30)	90516079	1	AR-95A	9,14	120.00 [54.43]
10	Air Spring Mounting Plate	90033785	2	AR-70A, 95A	All	4.10 [1.86]
11	Air Spring Assembly	90557078	2	AR-70A	All	23.00 [10.43]
	Air Spring Assembly	90557077	2	AR-95A	All	22.00 [9.97]
12	U-Bolt 1-8 x 9" 5" Rd	90041878	4	AR-70A	All	1.88 [0.85]
	U-Bolt 1-8 x 9" 5" Rd	90041878	4	AR-95A	12,17	1.88 [0.85]
	U-Bolt 1-8 x 12.50" 5" Rd	90042792	4	AR-95A	9,14	0.62 [0.28]
	U-Bolt 1-8 x 9.50" 5" Sq	90042836	4	AR-95A	12,17	4.76 [2.16]
	U-Bolt 1-8 x 12.50" 5" Sq	90042846	4	AR-95A	9,14	5.69 [2.58]
13	Flat Washer 1"	93900027	8	AR-70A, 95A	All	0.04 [0.02]
14	Lock Nut 1"-8	93400502	8	AR-70A, 95A	All	0.34 [0.15]
15	Bolt 1.13-7 x 9.25"	93201055	2	AR-70A, 95A	All	2.92 [1.32]
16	Nut,Hex,Lock 1.13-7 GR C	93400506	2	AR-70A, 95A	All	0.38 [0.17]
17	Lock Washer .50"	93600072	8	AR-70A, 95A	All	0.02 [0.01]
18	Bolt .50"-13 x 1"	93002893	6	AR-70A, 95A	All	0.08 [0.04]
19	Hex Nut .50"-13	93400136	2	AR-70A, 95A	All	0.40 [0.18]
20	Hex Nut .75"-16	93400149	2	AR-70A, 95A	All	0.12 [0.05]
21	Lock Washer .75"	93600077	4	AR-70A, 95A	All	0.04 [0.02]
22	Cap Screw .75"-10 x 3.50"	93003597	4	AR-70A, 95A	All	0.52 [0.24]
23	Flat Washer .75"	93600156	2	AR-70A, 95A	All	0.04 [0.02]
24	Lock Nut .75"-10	93400492	2	AR-70A, 95A	All	0.13 [0.06]
25	Square Nut .75"-10	93400367	2	AR-70A, 95A	All	0.14 [0.06]
	Axle Adapter 5" Rd	90001082	2	AR-70A, 95A	All	9.00 [4.08]
26	Axle Adapter 5" Sq	90001083	2	AR-70A, 95A	All	6.58 [2.98]
	Axle Cap 5" Rd	90010032	2	AR-70A, 95A	All	6.55 [2.97]
27	Axle Cap 5" Sq	90010047	2	AR-70A, 95A	All	10.00 [4.54]
	Rubber Pad	90028083	2	AR-70A, 95A	All	1.90 [0.86]
29	Rubber Wrapper 5" Rd	90028047	2	AR-70A, 95A	All	1.29 [0.59]
	Rubber Wrapper 5" Sq	90028073	2	AR-70A, 95A	All	1.36 [0.61]
30	Lower Shock Bracket	90519749	2	AR-70A, 95A	All	5.70 [2.59]
31	Replacement Shock Bushing	90508004	8	AR-70A, 95A	All	0.20 [0.10]
32	Upper Shock Bracket	90018427	2	AR-70A, 95A	All	9.13 [4.14]
33	Bracket	90018527	2	AR-70A, 95A	All	0.75 [0.34]
34	Support	90024665	2	AR-70A	All	N/A
	Support	90024664	2	AR-95A	All	N/A
35	Reinforcement Bracket	90023876	2	AR-70A, 95A	All	0.61 [0.28]
SERVICE REPAIR KITS						
	SRK-64 - Axle Connection (5" Round)	48100108	1	AR-70A AR-95A	9,14 12,17	28.00 [12.70]
	SRK-128 - Axle Connection (5" Round)	48100181	1	AR-95A	9,14	35.00 [15.88]
	SRK-145 - Pivot Connection	48100202	1	AR-70A, 95A	All	19.54 [8.86]

AR-75-6, -9, AR-85-A Exploded View

NOTE: For 15" wheel axle connection parts, with cam on horizontal centerline, refer to page 2-206.



DISCONTINUED MODEL SERVICE PARTS ONLY

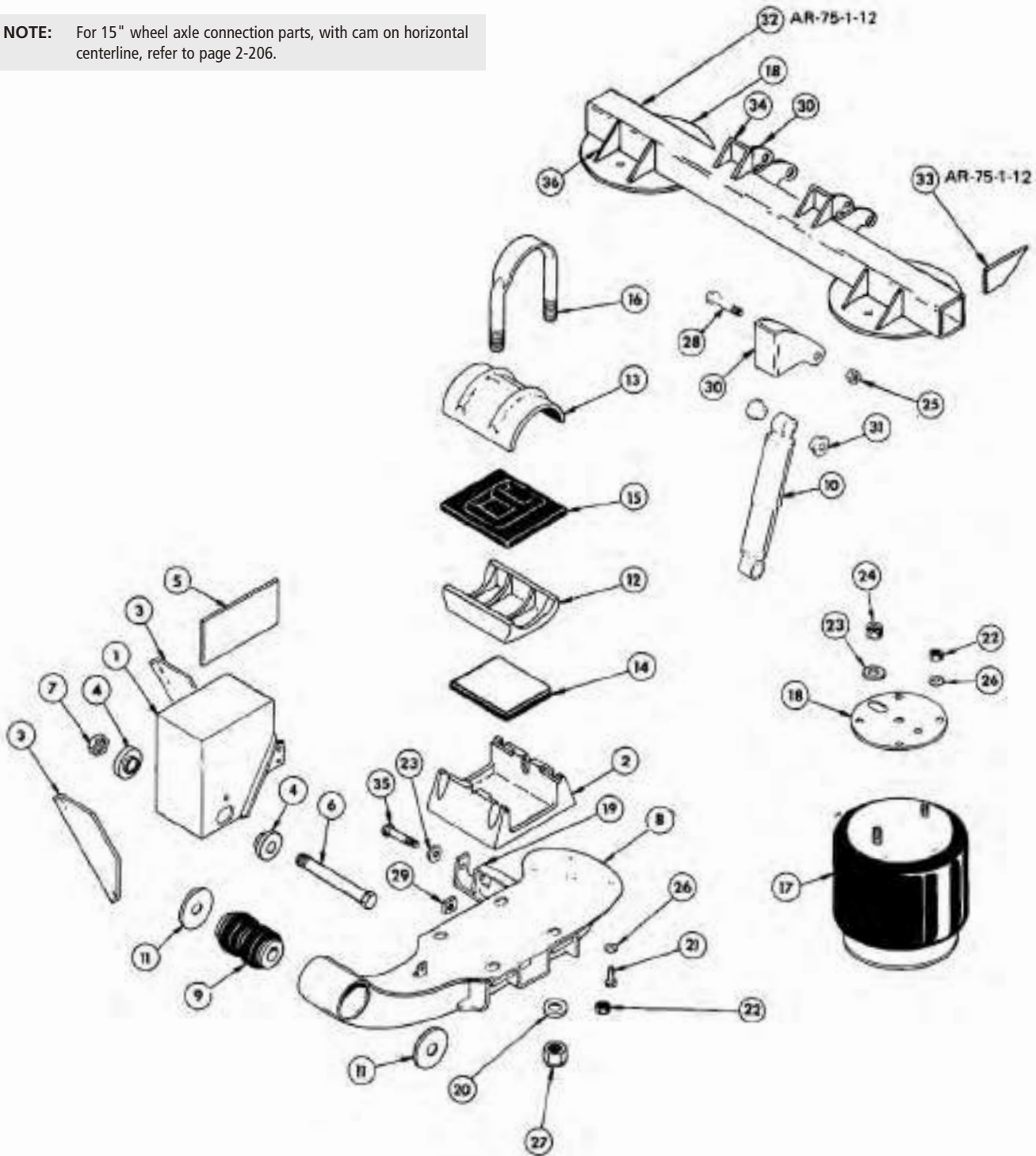
Please contact Customer Service for part availability
800.876.3929

ITEM	DESCRIPTION	PART NUMBER	QTY REQD	MODEL	RIDE HEIGHT	WEIGHT LBS. [KG]
1	Adjustable Frame Bracket LH	90519714	1	AR-75, AR-85-A	All	22.80 [10.34]
	Adjustable Frame Bracket RH	90520151	1	AR-75, AR-85-A	All	22.80 [10.34]
2	Axle Beam Seat	90001008	2	AR-75	6	27.60 [12.52]
	Axle Beam Seat	90001006	2	AR-75, AR-85-A	9	16.82 [7.63]
3	Angle Brace	90023002	4	AR-75, AR-85-A	All	2.20 [1.00]
4	Alignment Bushing	90008147	4	AR-75, AR-85-A	All	1.50 [0.68]
5	Plate	90031437	2	AR-75, AR-85-A	All	2.45 [1.11]
6	Cap Screw 1.13-7 x 9.38" Gr5	93201055	2	AR-75, AR-85-A	All	2.92 [1.32]
7	Nut,Hex,Lock 1.13-7 GR C	93400506	2	AR-75, AR-85-A	All	0.38 [0.17]
8	Equalizing Beam Assembly LH (Includes Item #2, 9, 19)	90515859	1	AR-75	6	103.00 [46.72]
	Equalizing Beam Assembly LH (Includes Item #2, 9, 19)	90515857	1	AR-75	9	96.00 [43.54]
	Equalizing Beam Assembly LH (Includes Item #2, 9, 19)	90516195	1	AR-85-A		96.00 [43.54]
	Equalizing Beam Assembly RH (Includes Item #2, 9, 19)	90515860	1	AR-75	6	103.00 [46.72]
	Equalizing Beam Assembly RH (Includes Item #2, 9, 19)	90515858	1	AR-75	9	96.00 [43.54]
	Equalizing Beam Assembly RH (Includes Item #2, 9, 19)	90516196	1	AR-85-A		96.00 [43.54]
9	Rubber Bushing	90008139	2	AR-75, AR-85-A	All	4.68 [2.12]
10	Shock Absorber	90044626	2	AR-75	6,9	8.15 [3.70]
	Shock Absorber	90044625	2	AR-85-A		5.69 [2.58]
11	Spacer Washer	90036177	4	AR-75, AR-85-A	All	0.80 [0.36]
12	Axle Adapter	90001082	2	AR-75, AR-85-A	All	9.00 [4.08]
13	Axle Cap	90010032	2	AR-75, AR-85-A	All	6.55 [2.97]
14	Steel/Rubber Pad	90028083	2	AR-75, AR-85-A	All	1.90 [0.86]
15	Rubber Wrapper	90028047	2	AR-75, AR-85-A	All	1.29 [0.59]
16	U-Bolt 1-8 x 12.50" Gr8 5 Rd	90042792	4	AR-75	6	0.62 [0.28]
	U-Bolt 1-8 x 9" Gr8 5 Rd	90041878	4	AR-75, AR-85-A	9	1.88 [0.85]
17	Air Spring Assembly	90557113	2	AR-75	6,9	17.00 [7.71]
	Air Spring Assembly	90557078	2	AR-85-A		23.00 [10.43]
18	Upper Shock Mounting Bracket (Optional on AR-75-9)	90519040	2	AR-75	6,9	1.42 [0.64]
	Bracket	90024738	2	AR-85-A		N/A
19	Lower Shock Mounting Bracket	90519425	2	AR-75	6,9	5.40 [2.45]
	Lower Shock Mounting Bracket	90519809	2	AR-85-A		6.00 [2.72]
20	Washer 1 ID	93900027	8	AR-75, AR-85-A	All	0.04 [0.02]
21	Cap Screw .50 - 13 x 1" Gr2 (90557078 Air Spring)	93002893	6	AR-85-A		0.08 [0.04]
22	Hex Nut .50 - 13 GrB (90557078 Air Spring)	93400136	2	AR-85-A		0.40 [0.18]
	Hex Nut .50 - 13 GrB (90557113 Air Spring)	93400136	4	AR-75	6,9	0.40 [0.18]
23	Lock Washer .75	93600077	4	AR-75, AR-85-A	All	0.04 [0.02]
24	Hex Nut .75 - 16 GrB	93400149	2	AR-75, AR-85-A	All	0.12 [0.05]
25	Lock Nut .75 - 10 GrB	93400492	2	AR-75, AR-85-A	All	0.13 [0.06]
26	Lock Washer .50	93600072	4	AR-75	6,9	0.02 [0.01]
	Lock Washer .50	93600072	8	AR-85-A		0.02 [0.01]
27	Lock Nut 1-8 GrC	93400502	8	AR-75, AR-85-A	All	0.34 [0.15]
28	Cap Screw .75 - 10 x 4"	93003609	2	AR-75	6,9	0.58 [0.26]
	Cap Screw .75 - 10 x 3.50" Gr5	93003597	2	AR-85-A		0.52 [0.24]
29	Square Nut .75 - 10 GrA	93400367	2	AR-75, AR-85-A	All	0.14 [0.06]
30	Upper Shock Mounting Bracket	90018348	2	AR-75	9	5.00 [2.27]
	Upper Shock Mounting Bracket	90519810	2	AR-85-A		N/A
31	Replacement Shock Bushing	90508004	8	AR-75, AR-85-A	All	0.20 [0.10]
32	Air Spring Mounting Plate	90033785	2	AR-75, AR-85-A	9	4.10 [1.86]
33	Cap Screw .75 - 10 x 3.50" Gr5	93003597	2	AR-75	6,9	0.52 [0.24]
	Cap Screw .75 - 10 x 5" Gr5	93003633	2	AR-85-A		0.72 [0.33]
SERVICE REPAIR KITS						
	SRK-64 - Axle Connection (5" Round)	48100108	1	AR-75, AR-85-A	9	28.00 [12.70]
	SRK-68 - Axle Connection (5" Square, 20" Wheel)	48100112	1	AR-75	9	37.00 [16.78]
	SRK-128 - Axle Connection (5" Round)	48100181	1	AR-75	6	35.00 [15.88]
	SRK-145 - Pivot Connection	*48100202	1	AR-75, AR-85-A	All	19.54 [8.86]

* When alignment blocks are required, specify SRK-48

AR-75-12, -1-12 Exploded View

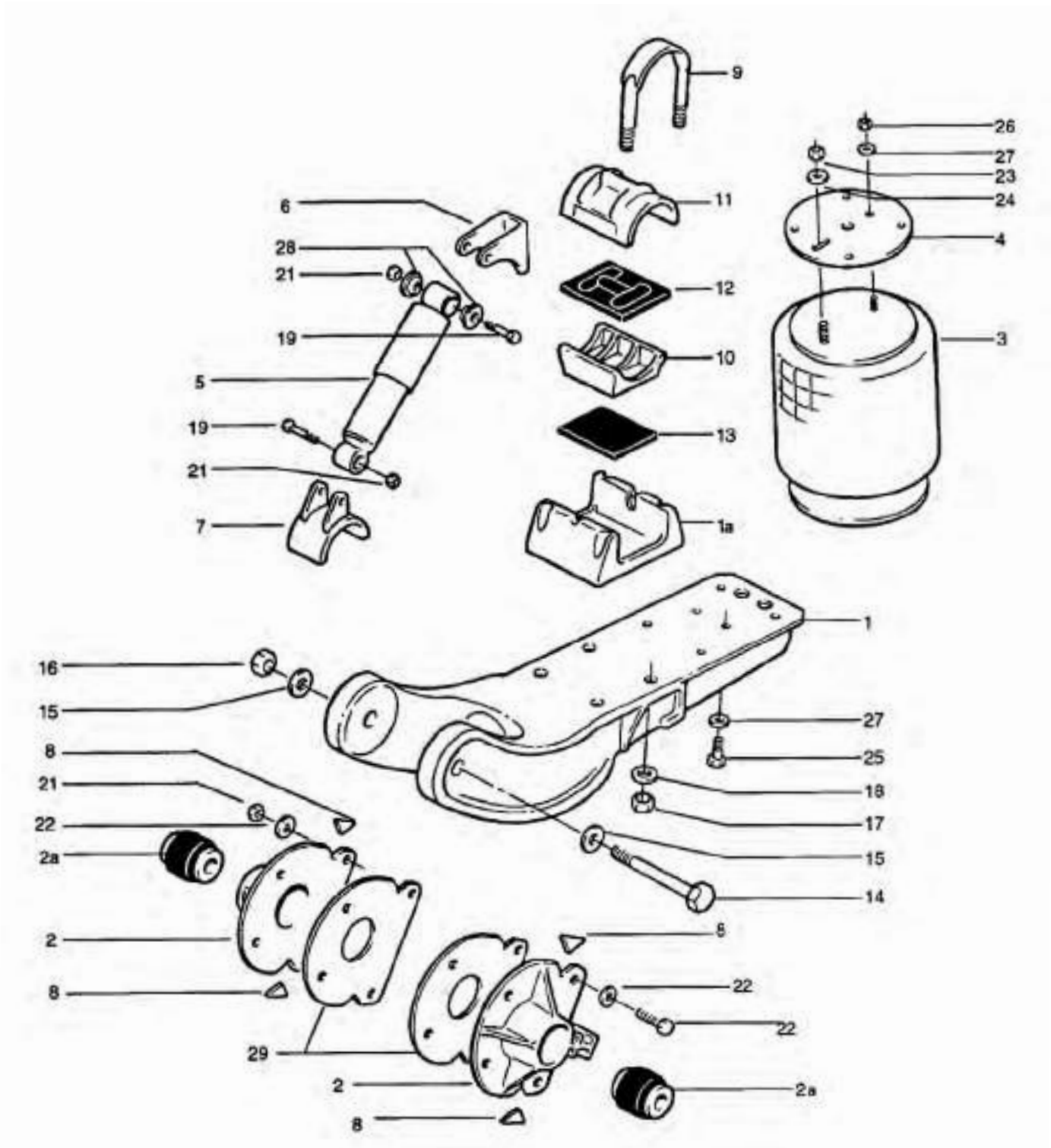
NOTE: For 15" wheel axle connection parts, with cam on horizontal centerline, refer to page 2-206.



**DISCONTINUED MODEL
SERVICE PARTS ONLY**
Please contact Customer Service for part availability
800.876.3929

ITEM	DESCRIPTION	PART NUMBER	QTY REQD	MODEL	RIDE HEIGHT	WEIGHT LBS. [KG]
1	Adjustable Frame Bracket LH	90519716	1	AR-75, AR-75-1	12	29.40 [13.34]
	Adjustable Frame Bracket RH	90520188	1	AR-75, AR-75-1	12	29.40 [13.34]
2	Axle Beam Seat	90001006	2	AR-75, AR-75-1	12	16.82 [7.63]
3	Angle Brace	90023001	4	AR-75, AR-75-1	12	3.84 [1.74]
4	Alignment Bushing	90008147	4	AR-75, AR-75-1	12	1.50 [0.68]
5	Plate	90031437	2	AR-75, AR-75-1	12	2.45 [1.11]
6	Cap Screw 1.13-7 x 9.38" Gr5	93201055	2	AR-75, AR-75-1	12	2.92 [1.32]
7	Nut,Hex,Lock 113-7 GR C	93400506	2	AR-75, AR-75-1	12	0.38 [0.17]
8	Equalizing Beam Assembly LH (Includes Item #2, 9, 19)	90515857	1	AR-75, AR-75-1	12	96.00 [43.54]
	Equalizing Beam Assembly RH (Includes Item #2, 9, 19)	90515858	1	AR-75, AR-75-1	12	96.00 [43.54]
9	Rubber Bushing	90008139	2	AR-75, AR-75-1	12	4.68 [2.12]
10	Shock Absorber	90044626	2	AR-75-1	12	8.15 [3.70]
	Shock Absorber	90044625	2	AR-75	12	5.69 [2.58]
11	Spacer Washer	90036177	4	AR-75, AR-75-1	12	0.80 [0.36]
12	Axle Adapter	90001082	2	AR-75, AR-75-1	12	9.00 [4.08]
13	Axle Cap	90010032	2	AR-75, AR-75-1	12	6.55 [2.97]
14	Steel/Rubber Pad	90028083	2	AR-75, AR-75-1	12	1.90 [0.86]
15	Rubber Wrapper	90028047	2	AR-75, AR-75-1	12	1.29 [0.59]
16	U-Bolt 1-8 x 9" Gr8 5 Rd	90041878	4	AR-75, AR-75-1	12	1.88 [0.85]
17	Air Spring Assembly (Aluminum Piston)	90557009	2	AR-75, AR-75-1	12	21.00 [9.53]
18	Air Spring Mounting Plate	90033785	2	AR-75, AR-75-1	12	4.10 [1.86]
19	Lower Shock Mounting Bracket	90519425	2	AR-75, AR-75-1	12	5.40 [2.45]
20	Washer 1 ID	93900027	8	AR-75, AR-75-1	12	0.04 [0.02]
21	Cap Screw .50 - 13 x 7" (90557009 Air Spring)	93003039	2	AR-75, AR-75-1	12	N/A
22	Hex Nut .50 - 13 GrB (90557009 Air Spring)	93400136	2	AR-75, AR-75-1	12	0.40 [0.18]
	Hex Nut .50 - 13 GrB (90557126 Air Spring)	93400136	4	AR-75, AR-75-1	12	0.40 [0.18]
23	Lock Washer .75	93600077	4	AR-75, AR-75-1	12	0.04 [0.02]
24	Hex Nut .75 - 16 GrB	93400149	2	AR-75, AR-75-1	12	0.12 [0.05]
25	Lock Nut .75 - 10 GrB	93400492	2	AR-75, AR-75-1	12	0.13 [0.06]
26	Lock Washer .50	93600072	4	AR-75, AR-75-1	12	0.02 [0.01]
27	Lock Nut 1-8 GrC	93400502	8	AR-75, AR-75-1	12	0.34 [0.15]
28	Cap Screw .75 - 10 x 3.50" Gr5	93003597	2	AR-75, AR-75-1	12	0.52 [0.24]
29	Square Nut .75 - 10 GrA	93400367	2	AR-75, AR-75-1	12	0.14 [0.06]
30	Upper Shock Mounting Bracket	90018348	2	AR-75	12	5.00 [2.27]
	Upper Shock Mounting Bracket	90018301	2	AR-75-1	12	5.00 [2.27]
31	Replacement Shock Bushing	90508004	8	AR-75, AR-75-1	12	0.20 [0.10]
32	Tubing Assembly	90538041	2	AR-75-1	12	N/A
33	Gusset	-	4	AR-75-1	12	N/A
34	Reinforcement Bracket	90023876	2	AR-75-1	12	0.61 [0.28]
35	Cap Screw .75 - 10 x 4"	93003609	2	AR-75, AR-75-1	12	0.58 [0.26]
36	Gusset	90033062	4	AR-75-1	12	0.40 [0.18]
SERVICE REPAIR KITS						
	SRK-64 - Axle Connection (5" Round)	48100108	1	AR-75, AR-75-1	12	28.00 [12.70]
	SRK-68 - Axle Connection (5" Square, 20" Wheel)	48100112	1	AR-75	12	37.00 [16.78]
	SRK-145 - Pivot Connection	*48100202	1	AR-75, AR-75-1	12	19.54 [8.86]

* When alignment blocks are required, specify SRK-48

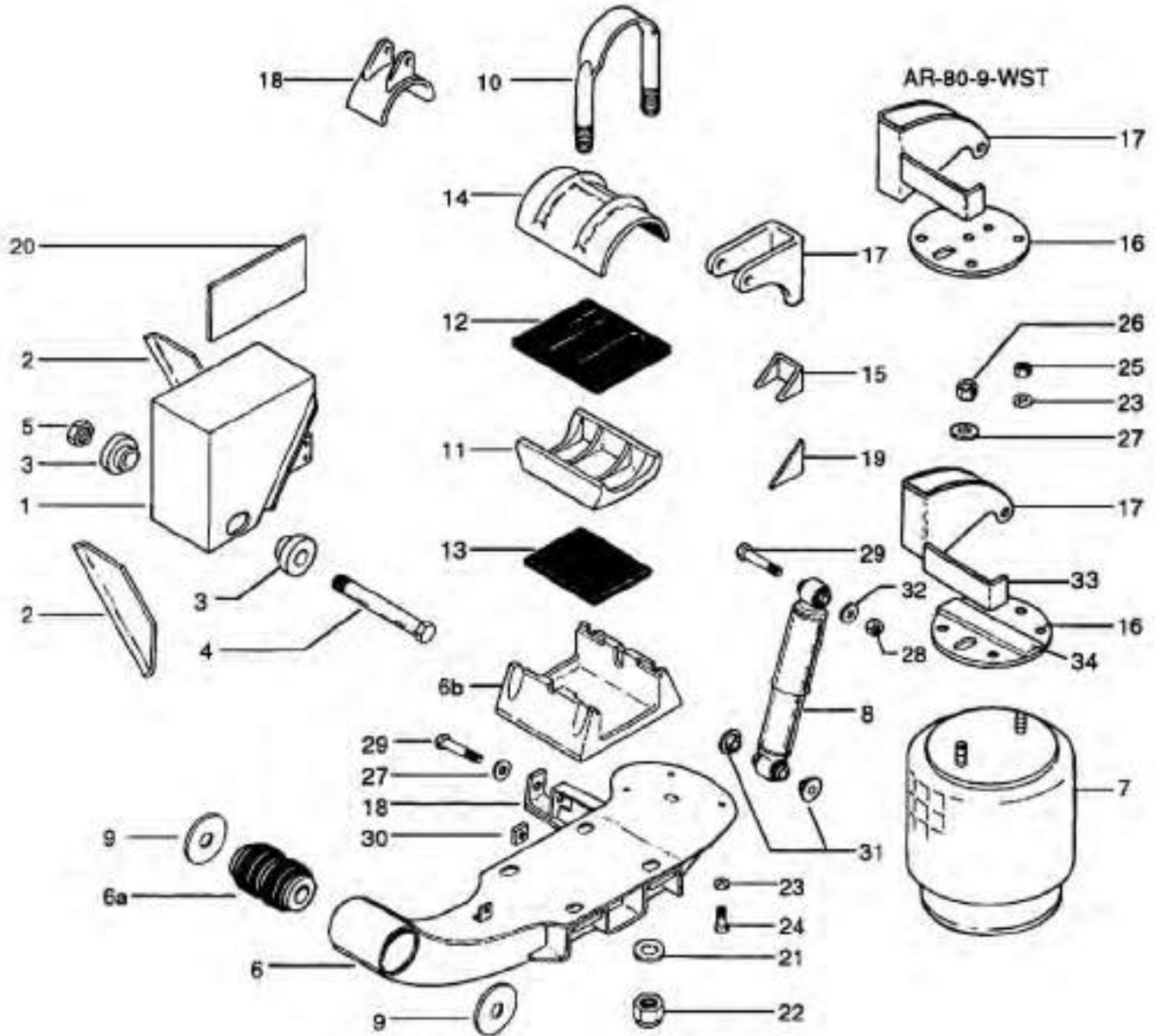


**DISCONTINUED MODEL
SERVICE PARTS ONLY**
Please contact Customer Service for part availability
800.876.3929



AR Series

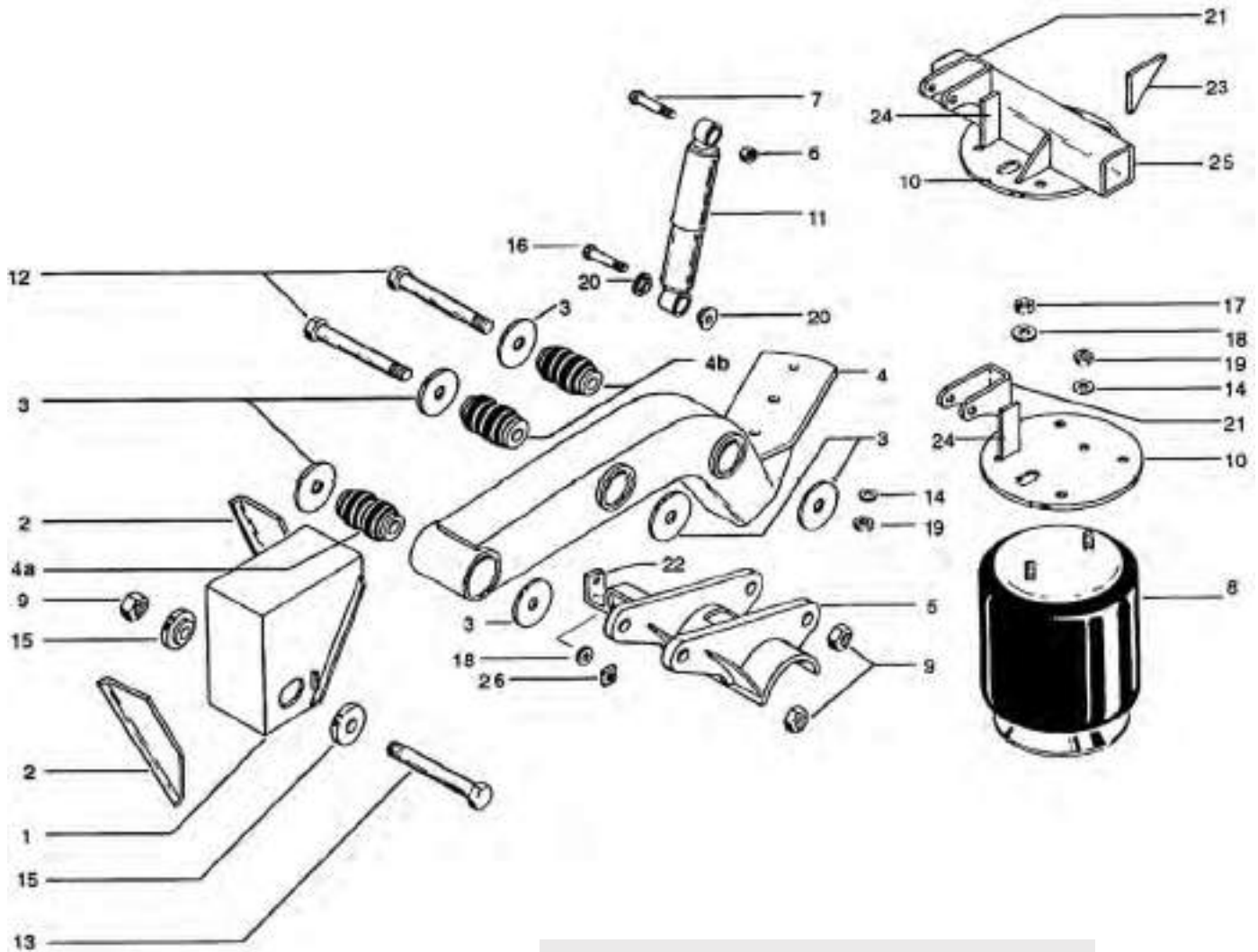
ITEM	DESCRIPTION	PART NUMBER	QTY REQD	WEIGHT LBS. [KG]
1	Equalizing Beam Assembly (Includes Item #1a)	90516446	1	135.00 [61.23]
1a	Beam Seat	90001131	2	21.00 [9.53]
2	Pivot Connection Assembly (Includes Item #2a)	90545076	4	N/A
2a	Rubber Bushing	90008178	4	6.00 [2.72]
3	Air Spring Assembly	90557111	2	22.00 [9.98]
4	Air Spring Mounting Plate	90033785	2	4.10 [1.86]
5	Shock Absorber	90044868	2	3.96 [1.80]
6	Shock Bracket (Upper)	90018116	2	3.20 [1.45]
7	Shock Bracket (Lower)	90520276	2	3.50 [1.59]
8	Plate	90033449	8	0.22 [0.10]
9	U-Bolt 5 Rd Axle	90041878	4	1.88 [0.85]
10	Axle Adapter	90001132	2	9.71 [4.40]
11	Axle Cap	90010032	2	6.55 [2.97]
12	Rubber Wrapper	90028047	2	1.29 [0.59]
13	Rubber Pad	90028083	2	1.90 [0.86]
14	Cap Screw 1.13 - 7	93201053	2	3.56 [1.62]
15	Washer HT 1.13"	93600174	4	0.11 [0.05]
16	Nut,Hex,Lock 1.13-7 GR C	93400506	2	0.38 [0.17]
17	Lock Nut 1 - 8	93400502	8	0.34 [0.15]
18	Washer 1"	93900027	8	0.04 [0.02]
19	Cap Screw .75 - 10 x 3.50" Gr5	93003597	4	0.52 [0.24]
20	Cap Screw .75"	93003575	8	0.46 [0.21]
21	Lock Nut .75 - 10	93400492	12	0.13 [0.06]
22	Washer HT .75"	93600156	16	0.04 [0.02]
23	Hex Nut .75 - 16	93400149	2	0.12 [0.05]
24	Lock Washer .75"	93600077	2	0.04 [0.02]
25	Cap Screw .50"	93002893	6	0.08 [0.04]
26	Hex Nut .50 - 13	93400136	2	0.40 [0.18]
27	Lock Washer .50"	93600072	8	0.02 [0.01]
28	Replacement Shock Bushing	90508004	8	0.20 [0.10]
29	Shim (for .25" frame web only)	90044949	4	N/A
SERVICE REPAIR KITS				
	SRK-202 - Pivot Connection	48100263	1	32.00 [14.51]



**DISCONTINUED MODEL
SERVICE PARTS ONLY**
Please contact Customer Service for part availability
800.876.3929

ITEM	DESCRIPTION	PART NUMBER	QTY REQD	MODEL	RIDE HEIGHT	WEIGHT LBS. [KG]
1	Frame Bracket Adjustment LH	90520351	1	AR-80	6.75	20.50 [9.30]
	Frame Bracket Adjustable LH	90519714	1	AR-80	9, 9-WST	22.80 [10.34]
	Frame Bracket Fixed RH	90520352	1	AR-80	6.75	23.30 [10.57]
	Frame Bracket Adjustable RH	90520151	1	AR-80	9, 9-WST	22.80 [10.34]
2	Angle Brace	90023002	4	AR-80	All	2.20 [1.00]
3	Alignment Brace	90008147	4	AR-80	All	1.50 [0.68]
4	Cap Screw 1.13"-7 x 9.25" Gr5	93201055	2	AR-80	All	2.92 [1.32]
5	Nut,Hex,Lock 1.13-7 GR C	93400506	2	AR-80	All	0.38 [0.17]
6	Equalizing Beam Assembly LH (Includes Key #6a, 6b, 18)	90516447	1	AR-80	6.75, 9-WST	106.00 [48.08]
	Equalizing Beam Assembly RH (Includes Key #6a, 6b, 18)	90516448	1	AR-80	6.75, 9-WST	106.00 [48.08]
	Equalizing Beam Assembly LH (Includes Key #6a, 6b)	90516449	1	AR-80	9	100.00 [45.36]
6a	Rubber Bushing	90008139	2	AR-80	All	4.68 [2.12]
6b	Beam Seat	90001131	2	AR-80	All	21.00 [9.53]
7	Air Spring Assembly	90557078	2	AR-80	6.75	23.00 [10.43]
	Air Spring Assembly	90557125	2	AR-80	9, 9-WST	21.00 [9.52]
8	Shock Absorber	90044046	2	AR-80	6.75	6.49 [2.94]
	Shock Absorber	90044868	2	AR-80	9	3.96 [1.80]
	Shock Absorber	90044626	2	AR-80	9-WST	8.15 [3.70]
9	Spacer Washer	90036177	4	AR-80	All	0.80 [0.36]
10	U-Bolt 1"-8 x 9"	90041878	4	AR-80	All	1.88 [0.85]
11	Axle Adapter	90001132	2	AR-80	All	9.71 [4.40]
12	Rubber Wrapper	90028047	2	AR-80	All	1.29 [0.59]
13	Rubber Pad	90028083	2	AR-80	All	1.90 [0.86]
14	Axle Cap	90010032	2	AR-80	All	6.55 [2.97]
15	Reinforcement Bracket	90023876	2	AR-80	6.75	0.61 [0.28]
16	Air Spring Mounting Plate	90033785	2	AR-80	6.75, 9-WST	4.10 [1.86]
	Air Spring Mounting Plate	90031027	2	AR-80	9	5.30 [2.40]
17	Upper Shock Bracket	90018427	2	AR-80	6.75, 9-WST	9.13 [4.14]
	Upper Shock Bracket	90018115	2	AR-80	9	N/A
18	Lower Shock Bracket	90519425	2	AR-80	6.75, 9-WST	5.40 [2.45]
	Lower Shock Bracket	90520276	2	AR-80	9	3.50 [1.59]
19	Gusset	90031182	2	AR-80	6.75, 9-WST	0.28 [0.12]
20	Plate	90031437	2	AR-80	9-WST	2.45 [1.11]
21	Flat Washer 1"	93900027	8	AR-80	All	0.04 [0.02]
22	Lock Nut 1"-8	93400502	8	AR-80	All	0.34 [0.15]
23	Lock Washer .50"	93600072	8	AR-80	All	0.02 [0.01]
24	Cap Screw .50"-13 x 1"	93002893	6	AR-80	All	0.08 [0.04]
25	Hex Nut .50"-13	93400136	2	AR-80	All	0.40 [0.18]
26	Hex Nut .75"-16	93400149	2	AR-80	All	0.12 [0.05]
27	Lock Washer	93600077	4	AR-80	All	0.04 [0.02]
28	Lock Nut .75"-10	93400492	2	AR-80	All	0.13 [0.06]
29	Cap Screw .75"-10 x 3.50"	93003597	4	AR-80	All	0.52 [0.24]
30	Square Nut .75"-10	93400367	2	AR-80	6.75, 9-WST	0.14 [0.06]
31	Replacement Shock Bushing	90508004	8	AR-80	All	0.20 [0.10]
32	Flat Washer .75"	93600156	2	AR-80	6.75, 9-WST	0.04 [0.02]
33	Angle Brace	90025018	2	AR-80	6.75, 9-WST	N/A
34	Spacer	90033511	2	AR-80	6.75	3.90 [1.77]
SERVICE REPAIR KITS						
	SRK-64 - Axle Connection (5" Square, 20" Wheel)	48100108	1	AR-80	All	28.00 [12.70]
	SRK-145 - Pivot Connection	48100202	1	AR-80	All	19.54 [8.86]

AR-90-14, -15, -16, -17 Exploded View

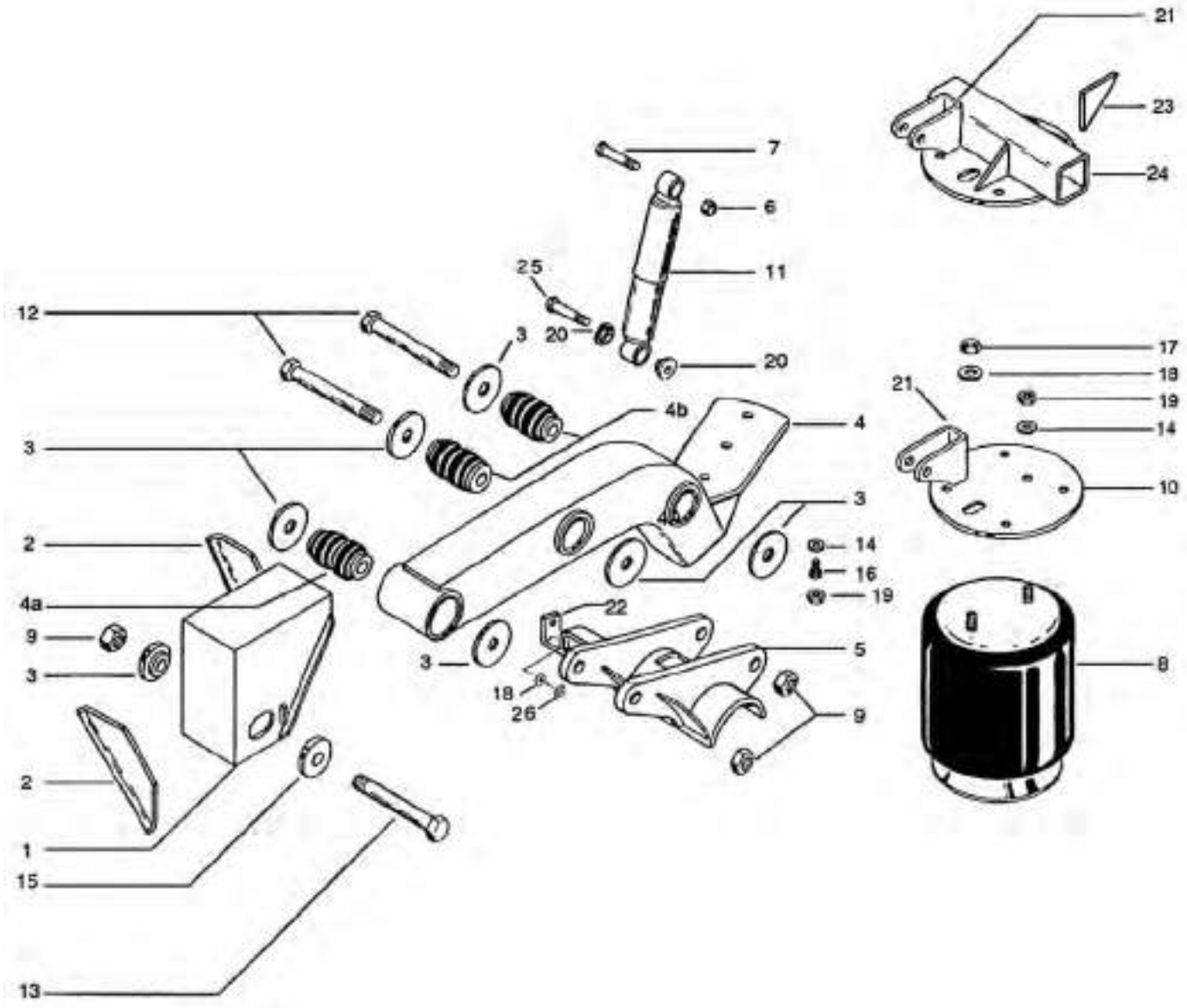


NOTE: For 15" wheel axle connection parts, with cam on horizontal centerline, refer to page 2-206.

**DISCONTINUED MODEL
SERVICE PARTS ONLY**
Please contact Customer Service for part availability
800.876.3929

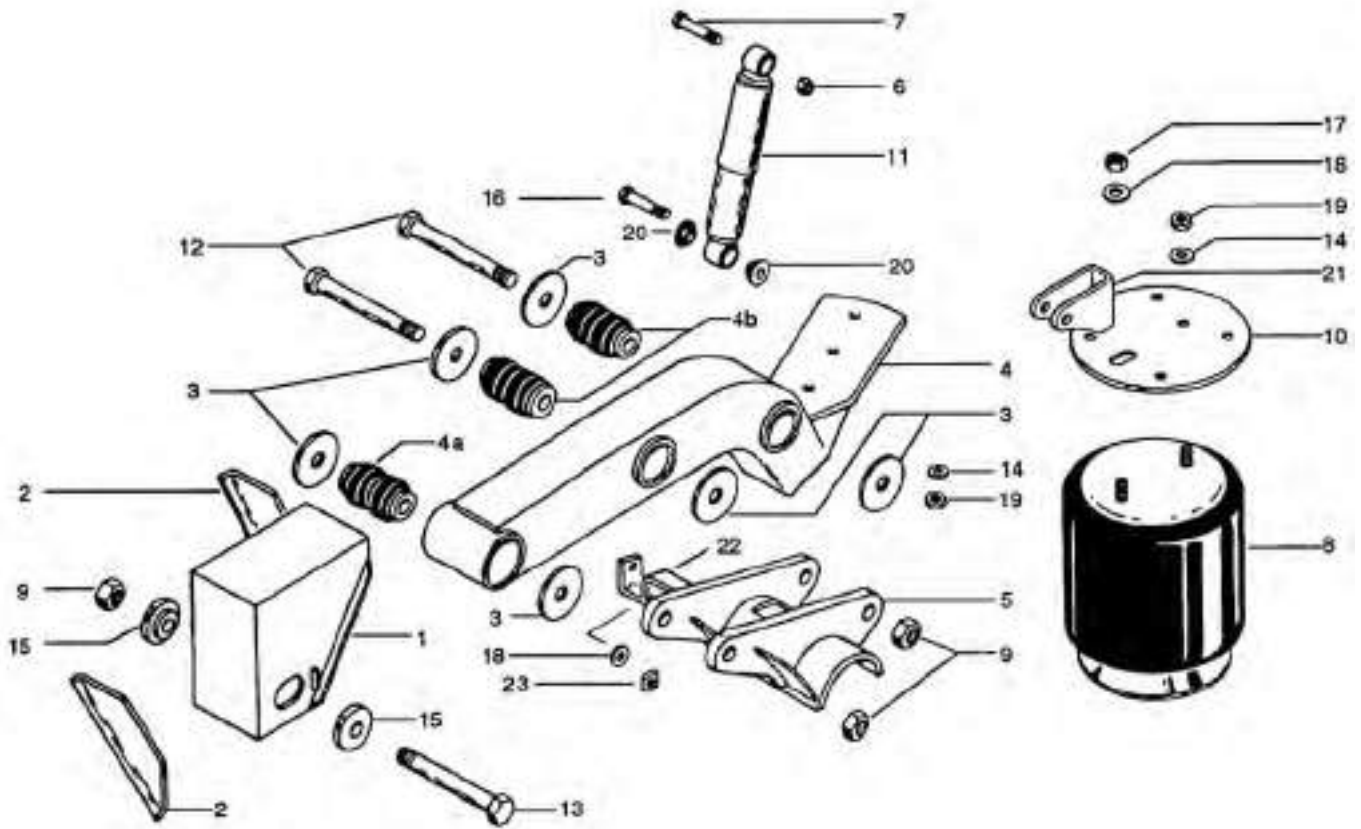
ITEM	DESCRIPTION	PART NUMBER	QTY REQD	RIDE HEIGHT	WEIGHT LBS. [KG]
1	Adjustable Frame Bracket	90519710	2	14,15	23.80 [10.80]
	Adjustable Frame Bracket	90520235	2	16	14.00 [6.35]
	Adjustable Frame Bracket	90519712	2	17	30.00 [13.61]
2	Angle Brace	90023002	4	14,15	2.20 [1.00]
	Angle Brace	90023001	4	16,17	3.84 [1.74]
3	Spacer Washer	90036177	12	All	0.80 [0.36]
4	Equalizing Beam LH (Includes Item #4a, 4b)	90516112	1	All	83.00 [37.65]
	Equalizing Beam RH (Includes Item #4a, 4b)	90516113	1	All	83.00 [37.65]
4a	Rubber Bushing (Front Pivot)	90008139	2	All	4.68 [2.12]
4b	Rubber Bushing (Axle Connection)	90008149	4	All	2.50 [1.13]
5	Axle Adapter LH (Includes Item #22)	90501289	1	All	32.00 [14.51]
	Axle Adapter RH (Includes Item #22)	90501290	1	All	32.00 [14.51]
6	Lock Nut .75 - 10	93400492	4	All	0.13 [0.06]
7	Cap Screw .75 - 10 x 3.50"	93003597	2	All	0.52 [0.24]
8	Air Spring Assembly	90557112	2	All	14.00 [6.35]
9	Nut,Hex,Lock 1.13-7 GR C	93400506	6	All	0.38 [0.17]
10	Air Spring Mounting Plate	90033785	2	All	4.10 [1.86]
11	Shock Absorber	90044089	2	All	5.63 [2.55]
12	Bolt, Hex,1.12-7 X 8.75" Gr 8	93201051	4	All	2.80 [1.27]
13	Cap Screw 1.13 - 7 x 9.25"	93201055	2	All	2.92 [1.32]
14	Lock Washer .50"	93600072	4	All	0.02 [0.01]
15	Alignment Bushing	90008147	4	All	1.50 [0.68]
16	Cap Screw .75 - 10 x 4"	93003609	2	All	0.58 [0.26]
17	Hex Nut .75 - 16	93400149	2	All	0.12 [0.05]
18	Lock Washer .75"	93600077	4	All	0.04 [0.02]
19	Hex Nut .50 - 13	93400136	4	All	0.40 [0.18]
20	Replacement Shock Bushing	90508004	8	All	0.20 [0.10]
21	Upper Shock Bracket	90018116	2	All	3.20 [1.45]
22	Lower Shock Bracket	90519773	2	All	2.40 [1.09]
23	Gusset	90031182	6	17	0.28 [0.12]
24	Plate	90032742	2	14,15,16	0.40 [0.18]
25	Tube	90038312	2	17	8.80 [4.00]
26	Square Nut .75 - 10	93400367	2	All	0.14 [0.06]
SERVICE REPAIR KITS					
	SRK-145 - Pivot Connection	48100202	1	All	19.54 [8.86]
	SRK-149 - Axle Connection (5" Round, 20" Wheel)	48100206	1	All	32.28 [14.64]

AR-90-1-12, -14, -15, -16, -17 Exploded View



**DISCONTINUED MODEL
SERVICE PARTS ONLY**
Please contact Customer Service for part availability
800.876.3929

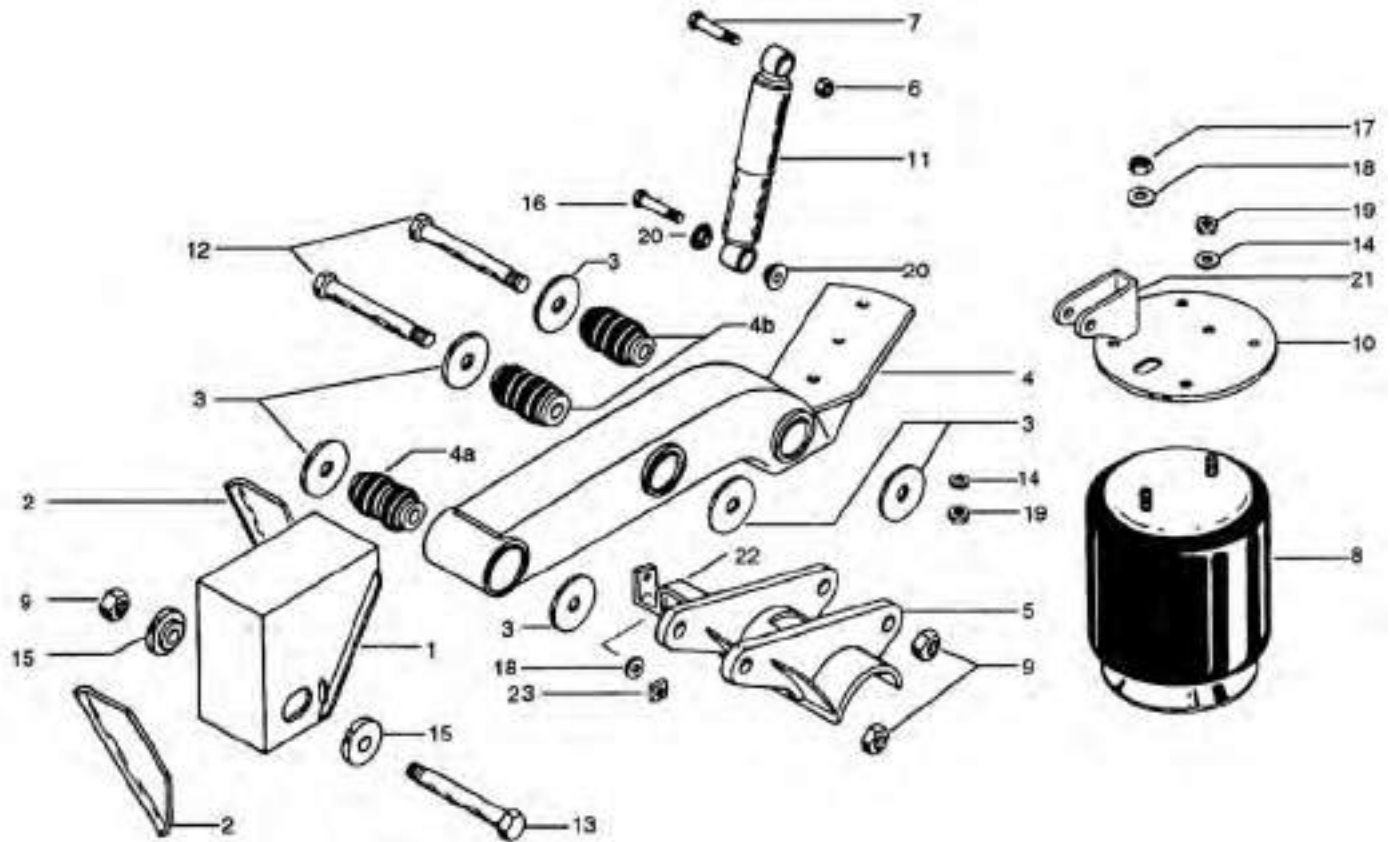
ITEM	DESCRIPTION	PART NUMBER	QTY REQD	RIDE HEIGHT	WEIGHT LBS. [KG]
1	Adjustable Frame Bracket	90520219	2	12	15.00 [6.80]
	Adjustable Frame Bracket	90519710	2	14,15	23.80 [10.80]
	Adjustable Frame Bracket	90520235	2	16	14.00 [6.35]
	Adjustable Frame Bracket	90519712	2	17	30.00 [13.61]
2	Angle Brace	90023002	4	12,14,15	2.20 [1.00]
	Angle Brace	90023001	4	16,17	3.84 [1.74]
3	Spacer Washer	90036177	12	All	0.80 [0.36]
4	Equalizing Beam LH (Includes Item #4a, 4b)	90516500	1	All	81.00 [36.74]
	Equalizing Beam RH (Includes Item #4a, 4b)	90516501	1	All	81.00 [36.74]
4a	Rubber Bushing (Front Pivot)	90008139	2	All	4.68 [2.12]
4b	Rubber Bushing (Axle Connection)	90008149	4	All	2.50 [1.13]
5	Axle Adapter LH (Includes Item #22)	90501289	1	All	32.00 [14.51]
	Axle Adapter RH (Includes Item #22)	90501290	1	All	32.00 [14.51]
6	Lock Nut .75 - 10	93400492	2	All	0.13 [0.06]
7	Cap Screw .75 - 10 x 3.50"	93003597	2	All	0.52 [0.24]
8	Air Spring Assembly LH	90557131	1	12	18.00 [8.16]
	Air Spring Assembly RH	90557130	1	12	14.00 [6.35]
	Air Spring Assembly	90557113	2	14,17	17.00 [7.71]
	Air Spring Assembly	90557124	2	15,16	15.50 [7.03]
9	Nut,Hex,Lock 1.13-7 GR C	93400506	6	All	0.38 [0.17]
10	Air Spring Mounting Plate	90033785	2	All	4.10 [1.86]
11	Shock Absorber	90044162	2	12,14,17	4.85 [2.20]
	Shock Absorber	90045054	2	15,16	4.49 [2.04]
12	Bolt, Hex,1.12-7 X 8.75" Gr 8	93201051	4	All	2.80 [1.27]
13	Cap Screw 1.13 - 7 x 9.25"	93201055	2	All	2.92 [1.32]
14	Lock Washer .50"	93600072	6	12	0.02 [0.01]
	Lock Washer .50"	93600072	4	14,15,16,17	0.02 [0.01]
15	Alignment Bushing	90008147	4	All	1.50 [0.68]
16	Cap Screw .50 - 13 x 1"	93002893	4	12	0.08 [0.04]
17	Hex Nut .75 - 16	93400149	2	All	0.12 [0.05]
18	Lock Washer .75"	93600077	4	All	0.04 [0.02]
19	Hex Nut .50 - 13	93400136	2	12	0.40 [0.18]
	Hex Nut .50 - 13	93400136	4	14,15,16,17	0.40 [0.18]
20	Replacement Shock Bushing	90508004	8	All	0.20 [0.10]
21	Upper Shock Bracket	90018445	2	All	2.63 [1.19]
22	Lower Shock Bracket	90519773	2	All	2.40 [1.09]
23	Gusset	90031182	2	17	0.28 [0.12]
24	Tube	90038312	2	17	8.80 [4.00]
25	Cap Screw .75 - 10 x 4"	93003609	2	All	0.58 [0.26]
26	Square Nut .75 - 10	93400367	2	All	0.14 [0.06]
SERVICE REPAIR KITS					
	SRK-145 - Pivot Connection	48100202	1	All	19.54 [8.86]
	SRK-149 - Axle Connection (5" Round, 20" Wheel)	48100206	1	All	32.28 [14.64]



**DISCONTINUED MODEL
SERVICE PARTS ONLY**

Please contact Customer Service for part availability
800.876.3929

ITEM	DESCRIPTION	PART NUMBER	QTY REQD	RIDE HEIGHT	WEIGHT LBS. [KG]
1	Adjustable Frame Bracket	90520383	2	12	12.80 [5.81]
	Adjustable Frame Bracket	90520346	2	14	21.40 [9.71]
	Adjustable Frame Bracket	90519710	2	15	23.80 [10.80]
	Adjustable Frame Bracket	90520235	2	16,17	14.00 [6.35]
	Adjustable Frame Bracket	90520385	2	18	32.30 [14.65]
2	Angle Brace	90025157	4	12	1.64 [0.74]
	Angle Brace	90023002	4	14,15	2.20 [1.00]
	Angle Brace	90023001	4	16,17,18	3.84 [1.74]
3	Spacer Washer	90036177	12	All	0.80 [0.36]
4	Equalizing Beam LH (Includes Item #4a, 4b)	90516500	1	All	81.00 [36.74]
	Equalizing Beam RH (Includes Item #4a, 4b)	90516501	1	All	81.00 [36.74]
4a	Rubber Bushing (Front Pivot)	90008139	2	All	4.68 [2.12]
4b	Rubber Bushing (Axle Connection)	90008149	4	All	2.50 [1.13]
5	Axle Adapter LH (Includes Item #22)	90501289	1	All	32.00 [14.51]
	Axle Adapter RH (Includes Item #22)	90501290	1	All	32.00 [14.51]
6	Lock Nut .75 - 10	93400492	2	All	0.13 [0.06]
7	Cap Screw .75 - 10 x 3.50"	93003597	2	All	0.52 [0.24]
8	Air Spring Assembly	90557117	2	12,14	14.00 [6.35]
	Air Spring Assembly	90557118	2	15,16	14.00 [6.35]
	Air Spring Assembly	90557119	2	17,18	15.00 [6.80]
9	Nut,Hex,Lock 1.13-7 GR C	93400506	6	All	0.38 [0.17]
10	Air Spring Mounting Plate	90033785	2	All	4.10 [1.86]
11	Shock Absorber	90044162	2	12	4.85 [2.20]
	Shock Absorber	90045040	2	14	5.19 [2.35]
	Shock Absorber	90045054	2	15	4.49 [2.04]
	Shock Absorber	90044794	2	16	5.58 [2.53]
	Shock Absorber	90044642	2	17	4.67 [2.12]
	Shock Absorber	90044089	2	18	5.63 [2.55]
12	Bolt, Hex,1.12-7 X 8.75" Gr 8	93201051	4	All	2.80 [1.27]
13	Cap Screw 1.13 - 7 x 9.25"	93201055	2	All	2.92 [1.32]
14	Lock Washer .50"	93600072	4	All	0.02 [0.01]
15	Alignment Bushing	90008147	4	All	1.50 [0.68]
16	Cap Screw .75 - 10 x 4"	93003609	2	All	0.58 [0.26]
17	Hex Nut .75 - 16	93400149	2	All	0.12 [0.05]
18	Lock Washer .75"	93600077	4	All	0.04 [0.02]
19	Hex Nut .50 - 13	93400136	4	All	0.40 [0.18]
20	Replacement Shock Bushing	90508004	8	All	0.20 [0.10]
21	Upper Shock Bracket	90018515	2	All	2.10 [0.95]
22	Lower Shock Bracket	90519773	2	All	2.40 [1.09]
23	Square Nut .75 - 10	93400367	2	All	0.14 [0.06]
SERVICE REPAIR KITS					
	SRK-145 - Pivot Connection	48100202	1	All	19.54 [8.86]
	SRK-149 - Axle Connection (5" Round, 20" Wheel)	48100206	1	All	32.28 [14.64]

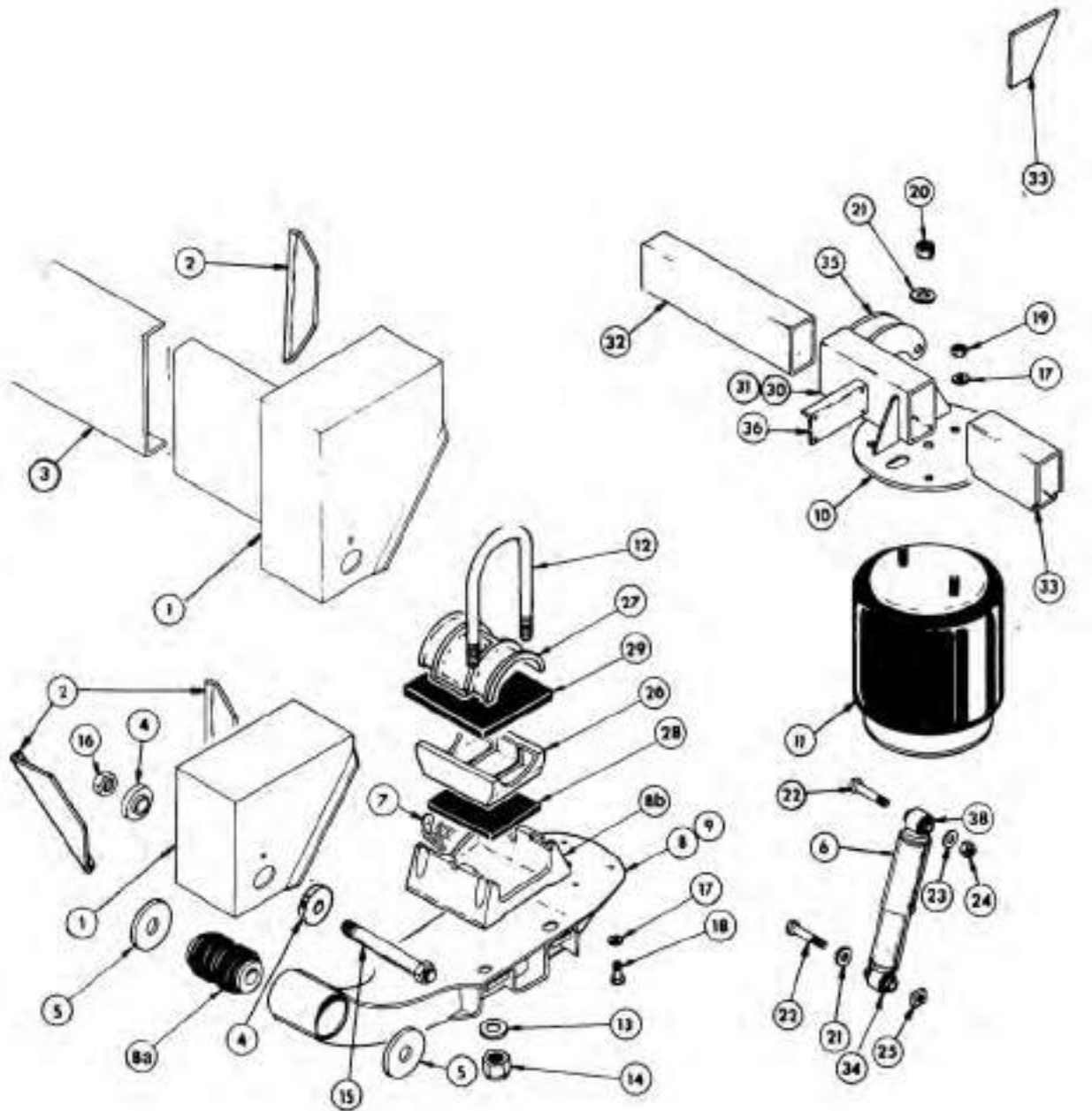


**DISCONTINUED MODEL
SERVICE PARTS ONLY**

Please contact Customer Service for part availability
800.876.3929

ITEM	DESCRIPTION	PART NUMBER	QTY REQD	RIDE HEIGHT	WEIGHT LBS. [KG]
1	Adjustable Frame Bracket	90520346	2	14	21.40 [9.71]
	Adjustable Frame Bracket	90519710	2	15	23.80 [10.80]
	Adjustable Frame Bracket	90520235	2	16,17	14.00 [6.35]
2	Angle Brace	90023002	4	14,15	2.20 [1.00]
	Angle Brace	90023001	4	16,17	3.84 [1.74]
3	Spacer Washer	90036177	12	All	0.80 [0.36]
4	Equalizing Beam LH (Includes Item #4a, 4b)	90516482	1	All	72.00 [32.66]
	Equalizing Beam RH (Includes Item #4a, 4b)	90516483	1	All	69.00 [31.30]
4a	Rubber Bushing (Front Pivot)	90008139	2	All	4.68 [2.12]
4b	Rubber Bushing (Axle Connection)	90008149	4	All	2.50 [1.13]
5	Axle Adapter LH (Includes Item #22)	90501289	1	All	32.00 [14.51]
	Axle Adapter RH (Includes Item #22)	90501290	1	All	32.00 [14.51]
6	Lock Nut .75"-10	93400492	2	All	0.13 [0.06]
7	Cap Screw .75"-10 x 3.50"	93003597	2	All	0.52 [0.24]
8	Air Spring Assembly	90557117	2	14	14.00 [6.35]
	Air Spring Assembly	90557118	2	15,16	14.00 [6.35]
	Air Spring Assembly	90557119	2	17	15.00 [6.80]
9	Nut,Hex,Lock 1.13-7 GR C	93400506	6	All	0.38 [0.17]
10	Air Spring Mounting Plate	90033785	2	All	4.10 [1.86]
	Shock Absorber	90045054	2	14	4.49 [2.04]
	Shock Absorber	90044794	2	15	5.58 [2.53]
	Shock Absorber	90044642	2	16	4.67 [2.12]
	Shock Absorber	90044089	2	17	5.63 [2.55]
12	Bolt, Hex,1.12-7 X 8.75" Gr 8	93201051	4	All	2.80 [1.27]
13	Cap Screw 1.13 - 7 x 9.25"	93201055	2	All	2.92 [1.32]
14	Lock Washer .50"	93600072	4	All	0.02 [0.01]
15	Alignment Bushing	90008147	4	All	1.50 [0.68]
16	Cap Screw .75"-10 x 4"	93003609	2	All	0.58 [0.26]
17	Hex Nut .75 - 16	93400149	2	All	0.12 [0.05]
18	Lock Washer .75"	93600077	4	All	0.04 [0.02]
19	Hex Nut .50"- 13	93400136	4	All	0.40 [0.18]
20	Replacement Shock Bushing	90508004	8	All	0.20 [0.10]
21	Upper Shock Bracket	90018515	2	All	2.10 [0.95]
22	Lower Shock Bracket	90519773	2	All	2.40 [1.09]
23	Square Nut .75" - 10	93400367	2	All	0.14 [0.06]
SERVICE REPAIR KITS					
	SRK-145 - Pivot Connection	48100202	1	All	19.54 [8.86]
	SRK-149 - Axle Connection (5" Round, 20" Wheel)	48100206	1	All	32.28 [14.64]

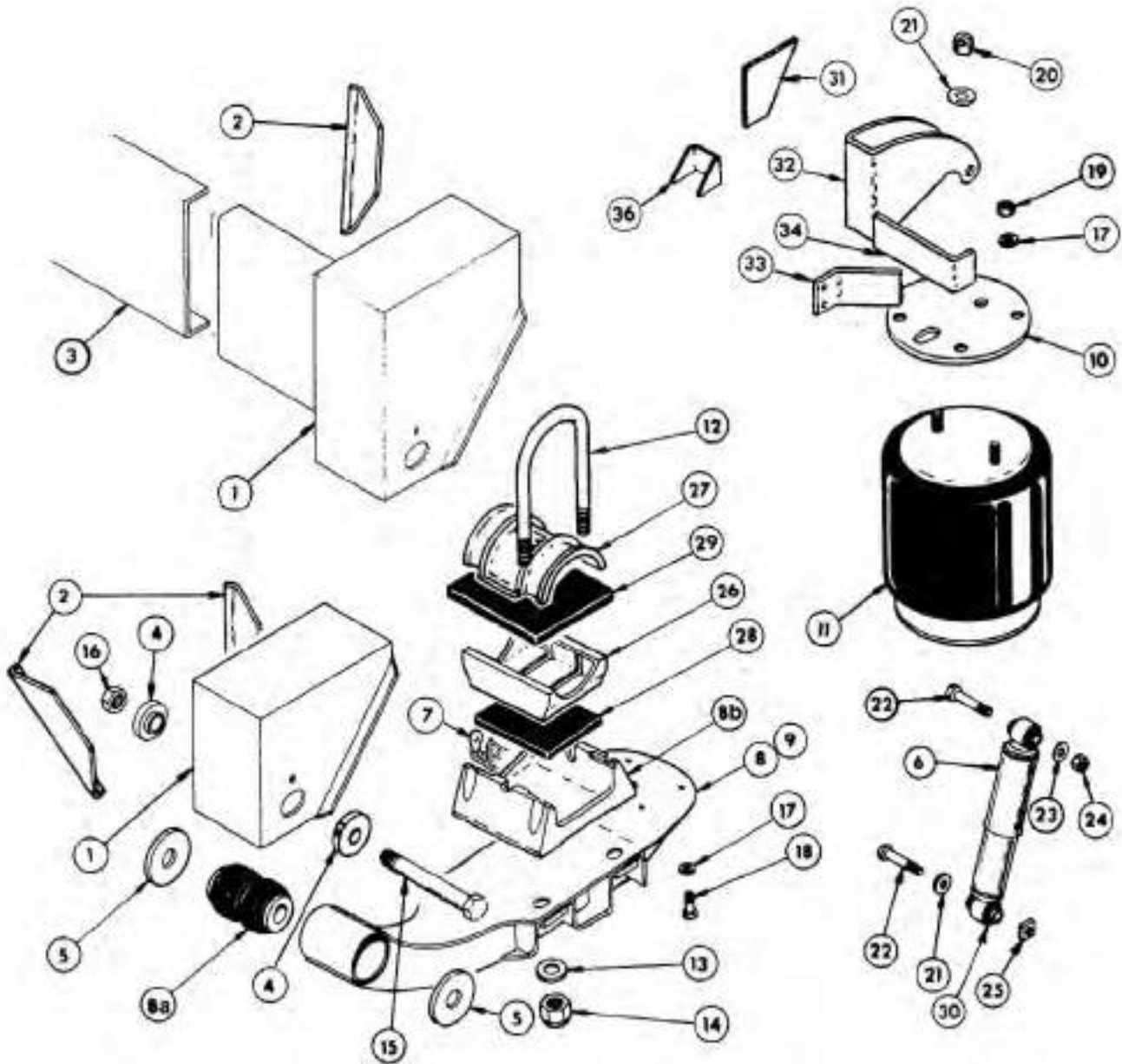
AR-95-9-HD, -12-HD, -14-HD, -17-HD Exploded View



**DISCONTINUED MODEL
SERVICE PARTS ONLY**

Please contact Customer Service for part availability
800.876.3929

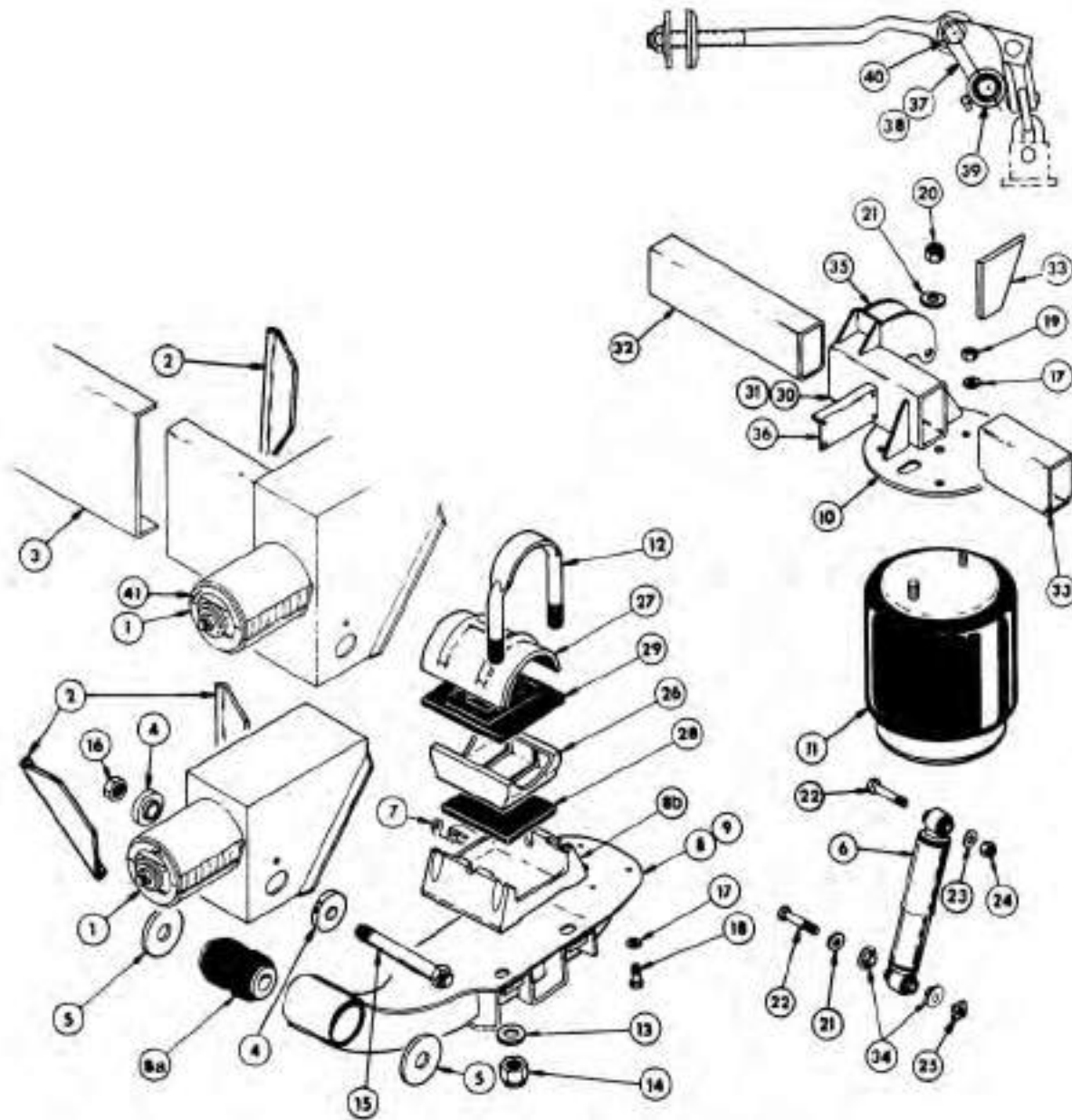
ITEM	DESCRIPTION	PART NUMBER	QTY REQD	MODEL	RIDE HEIGHT	WEIGHT LBS. [KG]
1	Frame Bracket Assembly Adjustable	90518714	2	AR-95	9-HD, 12-HD	47.00 [21.32]
	Frame Bracket Assembly RH Fixed (Includes Key #4)	90518719	1	AR-95	14-HD, 17-HD	72.00 [32.66]
	Frame Bracket Assembly LH Adjustable	90518720	1	AR-95	14-HD, 17-HD	72.00 [32.66]
2	Angle Brace	90023866	4	AR-95	9-HD, 12-HD	5.05 [2.30]
	Angle Brace LH	90023918	1	AR-95	14-HD, 17-HD	6.67 [3.02]
	Angle Brace RH	90023919	1	AR-95	14-HD, 17-HD	6.60 [3.00]
3	Channel	41023327	1	AR-95	14-HD, 17-HD	17.90 [8.12]
4	Adjusting Bushing	90008092	4	AR-95	All	0.96 [0.44]
5	Spacer Washer	90036177	4	AR-95	All	0.80 [0.36]
6	Shock Absorber	90044625	2	AR-95	All	5.69 [2.58]
7	Lower Shock Bracket	90018179	2	AR-95	All	5.61 [2.54]
8	Equalizing Beam Assembly LH (Includes Key #8a, 8b, 7)	90516225	1	AR-95	12-HD, 17-HD	140.00 [63.50]
	Equalizing Beam Assembly LH (Includes Key #8a, 8b, 7)	90516295	1	AR-95	9-HD, 14-HD	140.00 [63.50]
8a	Rubber Bushing	90008139	2	AR-95	All	4.68 [2.12]
8b	Beam Seat	90001131	2	AR-95	12-HD, 17-HD	21.00 [9.53]
	Beam Seat	90501181	2	AR-95	9-HD, 14-HD	28.60 [12.97]
9	Equalizing Beam Assembly RH (Includes Key #8a, 8b, 7)	90516226	1	AR-95	12-HD, 17-HD	120.00 [54.43]
10	Air Spring Mounting Plate	90033785	2	AR-95	All	4.10 [1.86]
11	Air Spring Assembly	90557077	2	AR-95	All	22.00 [9.97]
12	U-Bolt 1"-8 x 12" c 5" Round	90041394	4	AR-95	9-HD, 14-HD	5.42 [2.45]
	U-Bolt, 1"-8 x 9" x 5" Round	90041382	4	AR-95	12-HD, 17-HD	4.31 [1.95]
	U-Bolt 1"-8 x 12.50" x 5" Square	90042795	4	AR-95	9-HD, 14-HD	5.67 [2.57]
	U-Bolt 1"-8 x 9.50" x 5" Square	90041997	4	AR-95	12-HD, 17-HD	4.58 [2.08]
13	Flat Washer 1"	93900027	8	AR-95	All	0.04 [0.02]
14	Lock Nut 1"-8	93400502	8	AR-95	All	0.34 [0.15]
15	Bolt 1.13"-7 x 9.50"	93201055	2	AR-95	All	2.92 [1.32]
16	Nut,Hex,Lock 1.13-7 GR C	93400506	2	AR-95	All	0.38 [0.17]
17	Lock Washer .50"	93600072	14	AR-95	All	0.02 [0.01]
18	Bolt .50"-13 x 1"	93002893	6	AR-95	All	0.08 [0.04]
19	Hex Nut .50"-13	93400136	8	AR-95	All	0.40 [0.18]
20	Hex Nut .75"-16	93400149	2	AR-94	All	0.12 [0.05]
21	Lock Washer .75"	93600077	4	AR-95	All	0.04 [0.02]
22	Cap Screw .75"-10 x 3.75"	93003603	4	AR-95	All	0.54 [0.24]
23	Flat Washer .75"	93600156	2	AR-95	All	0.04 [0.02]
24	Lock Nut .75"-10	93400492	2	AR-95	All	0.13 [0.06]
25	Square Nut .75"-10	93400367	2	AR-95	All	0.14 [0.06]
26	Axle Adapter 5" Round	90001082	2	AR-95	All	9.00 [4.08]
	Axle Adapter 5" Square	90001083	2	AR-95	All	6.58 [2.98]
27	Axle Cap 5" Round	90010002	2	AR-95	All	10.87 [4.93]
	Axle Cap 5" Square	90010022	2	AR-95	All	9.86 [4.47]
28	Rubber Pad	90028083	2	AR-95	All	1.90 [0.86]
29	Rubber Wrapper 5" Round	90028007	2	AR-95	All	0.83 [0.37]
	Rubber Wrapper 5" Square	90028005	2	AR-95	All	1.17 [0.53]
30	Crossmember Assembly LH (Includes Key #10, 35, 36)	90518726	1	AR-95	14-HD, 17-HD	35.00 [15.88]
	Crossmember Assembly LH (Includes Key #10, 35, 36)	90518727	1	AR-95	9-HD, 12-HD	25.00 [11.34]
31	Crossmember Assembly RH (Includes Key #10, 35, 36)	90518753	1	AR-95	14-HD, 17-HD	37.00 [16.78]
	Crossmember Assembly RH (Includes Key #10, 35, 36)	90518754	1	AR-95	9-HD, 12-HD	27.00 [12.25]
32	Channel Assembly	90538008	1	AR-95	All	13.00 [5.90]
33	Channel Assembly	90538007	2	AR-95	9-HD, 12-HD	6.00 [2.72]
	Gusset	90032137	2	AR-95	14-HD, 17-HD	1.22 [0.55]
34	Replacement Shock Bushing	90508004	8	AR-95	All	0.20 [0.10]
35	Upper Shock Bracket	90018322	2	AR-95	All	8.05 [3.65]
36	Bracket	90023865	2	AR-95	All	0.90 [0.41]
SERVICE REPAIR KITS						
	SRK-68 - Axle Connection (5" Square, 20" Wheel)	48100112	1	AR-95	12-HD,17-HD	37.00 [16.78]
	SRK-132 - Axle Connection (5" Round Heavy-Duty)	48100186	1	AR-95	9-HD, 14-HD	31.00 [14.06]
	SRK-145 - Pivot Connection	48100202	1	AR-95	All	19.54 [8.86]



**DISCONTINUED MODEL
SERVICE PARTS ONLY**

Please contact Customer Service for part availability
800.876.3929

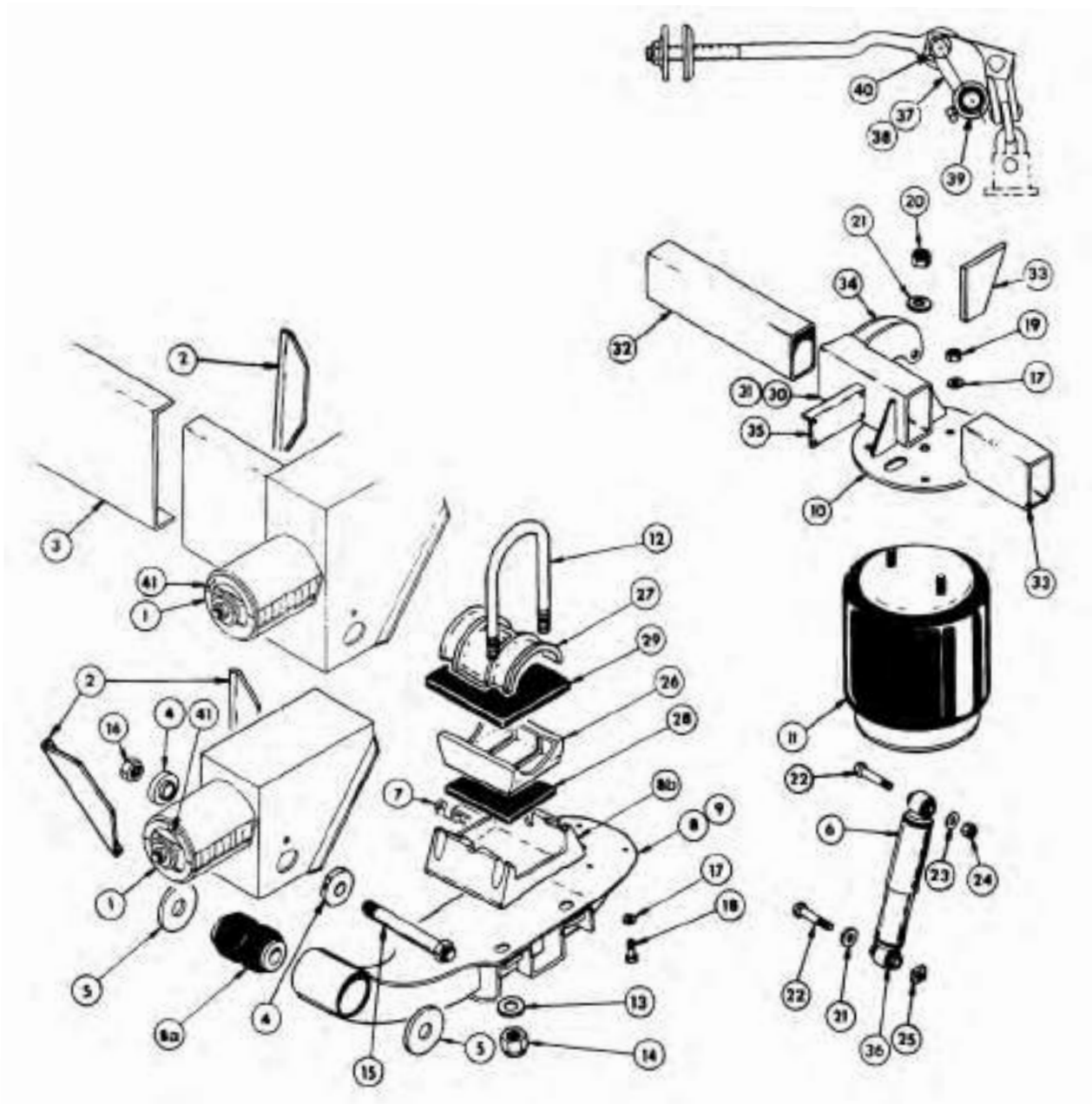
ITEM	DESCRIPTION	PART NUMBER	QTY REQD	MODEL	RIDE HEIGHT	WEIGHT LBS. [KG]
1	Frame Bracket Assembly Adjustable	90518714	2	AR-95A	9-HD, 12-HD	47.00 [21.32]
	Frame Bracket Assembly RH Fixed (Includes Key #4)	90518719	1	AR-95A	14-HD, 17-HD	72.00 [32.66]
	Frame Bracket Assembly LH Adjustable	90518720	1	AR-95A	14-HD, 17-HD	72.00 [32.66]
2	Angle Brace	90023866	4	AR-95A	9-HD, 12-HD	5.05 [2.30]
	Angle Brace LH	90023918	1	AR-95A	14-HD, 17-HD	6.67 [3.02]
	Angle Brace RH	90023919	1	AR-95A	14-HD, 17-HD	6.60 [3.00]
3	Channel	41023327	1	AR-95A	14-HD, 17-HD	17.90 [8.12]
4	Adjusting Bushing	90008092	4	AR-95A	All	0.96 [0.44]
5	Spacer Washer	90036177	4	AR-95A	All	0.80 [0.36]
6	Shock Absorber	90044625	2	AR-95A	All	5.69 [2.58]
7	Lower Shock Bracket	90018749	2	AR-95A	All	41.80 [18.96]
8	Equalizing Beam Assembly LH (Includes Key #8a, 8b, 7)	90516377	1	AR-95A	9-HD, 14-HD	120.00 [54.43]
	Equalizing Beam Assembly LH (Includes Key #8a, 8b, 7)	90516375	1	AR-95A	12-HD, 17-HD	154.00 [69.85]
8a	Rubber Bushing	90008139	2	AR-95A	All	4.68 [2.12]
8b	Beam Seat	90001131	2	AR-95A	12-HD, 17-HD	21.00 [9.53]
	Beam Seat	90501181	2	AR-95A	9-HD, 14-HD	28.60 [12.97]
9	Equalizing Beam Assembly RH (Includes Key #8a, 8b, 7)	90516378	1	AR-95A	9-HD, 14-HD	145.00 [65.77]
	Equalizing Beam Assembly RH (Includes Key #8a, 8b, 7)	90516376	1	AR-95A	12-HD, 17-HD	133.00 [60.33]
10	Air Spring Mounting Plate	90033785	2	AR-95A	All	4.10 [1.86]
11	Air Spring Assembly	90557077	2	AR-95A	All	22.00 [9.97]
12	U-Bolt 1"-8 x 12" c 5" Round	90041394	4	AR-95A	9-HD, 14-HD	5.42 [2.45]
	U-Bolt, 1"-8 x 9" x 5" Round	90041382	4	AR-95A	12-HD, 17-HD	4.31 [1.95]
	U-Bolt 1"-8 x 9.50" x 5" Square	90042836	4	AR-95A	12-HD, 17-HD	4.76 [2.16]
	U-Bolt 1"-8 x 112.50" x 5" Square	90042846	4	AR-95A	9-HD, 14-HD	5.69 [2.58]
13	Flat Washer 1"	93900027	8	AR-95A	All	0.04 [0.02]
14	Lock Nut 1"-8	93400502	8	AR-95A	All	0.34 [0.15]
15	Bolt 1.13"-7 x 9.50"	93201055	2	AR-95A	All	2.92 [1.32]
16	Nut,Hex,Lock 1.13-7 GR C	93400506	2	AR-95A	All	0.38 [0.17]
17	Lock Washer .50"	93600072	8	AR-95A	All	0.02 [0.01]
18	Bolt .50"-13 x 1"	93002905	6	AR-95A	All	N/A
19	Hex Nut .50"-13	93400136	2	AR-95A	All	0.40 [0.18]
20	Hex Nut .75"-16	93400149	2	AR-94A	All	0.12 [0.05]
21	Lock Washer .75"	93600077	4	AR-95A	All	0.04 [0.02]
22	Bolt .75"-10 x 3.50"	93003597	4	AR-95A	All	0.52 [0.24]
23	Flat Washer .75"	93600156	2	AR-95A	All	0.04 [0.02]
24	Lock Nut .75"-10	93400492	2	AR-95A	All	0.13 [0.06]
25	Square Nut .75"-10	93400367	2	AR-95A	All	0.14 [0.06]
26	Axle Adapter 5" Round	90001132	2	AR-95A	All	9.71 [4.40]
	Axle Adapter 5" Square	90001133	2	AR-95A	All	6.37 [2.89]
27	Axle Cap 5" Round	90010002	2	AR-95A	All	10.87 [4.93]
	Axle Cap 5" Square	90010047	2	AR-95A	All	10.00 [4.54]
28	Rubber Pad	90028083	2	AR-95A	All	1.90 [0.86]
29	Rubber Wrapper 5" Round	90028007	2	AR-95A	All	0.83 [0.37]
	Rubber Wrapper 5" Square	90028073	2	AR-95A	All	1.36 [0.61]
30	Replacement Shock Bushing	90508004	8	AR-95A	All	0.20 [0.10]
31	Gusset	90032137	2	AR-95A	14-HD, 17-HD	1.22 [0.55]
32	Upper Shock Bracket	90018427	2	AR-95A	All	9.13 [4.14]
33	Bracket	90018527	2	AR-95A	All	0.75 [0.34]
34	Support	90024664	2	AR-95A	All	N/A
35	Reinforcement Bracket	90023876	2	AR-95A	All	0.61 [0.28]
SERVICE REPAIR KITS						
	SRK-132 - Axle Connection (5" Round Heavy-Duty)	48100186	1	AR-95A	9-HD, 14-HD	31.00 [14.06]
	SRK-145 - Pivot Connection	48100202	1	AR-95A	All	19.54 [8.86]



**DISCONTINUED MODEL
SERVICE PARTS ONLY**
Please contact Customer Service for part availability
800.876.3929

ITEM	DESCRIPTION	PART NUMBER	QTY REQD	MODEL	RIDE HEIGHT	WEIGHT LBS. [KG]
1	Frame Bracket Assembly LH Adjustable	90519985	2	AR-955	9, 12	89.00 [40.37]
	Frame Bracket Assembly RH Fixed (Includes Key #4)	90519986	1	AR-955	14, 17	86.00 [39.00]
	Frame Bracket Assembly LH Adjustable	90519987	1	AR-955	14, 17	87.00 [39.46]
2	Angle Brace	90023866	4	AR-955	9, 12	5.05 [2.30]
	Angle Brace LH	90023918	1	AR-955	14, 17	6.67 [3.02]
	Angle Brace RH	90023919	1	AR-955	14, 17	6.60 [3.00]
3	Channel	41023327	1	AR-955	14, 17	17.90 [8.12]

ITEM	DESCRIPTION	PART NUMBER	QTY REQD	MODEL	RIDE HEIGHT	WEIGHT LBS. [KG]
4	Adjusting Bushing	90008092	4	AR-955	All	0.96 [0.44]
5	Spacer Washer	90036177	4	AR-955	All	0.80 [0.36]
6	Shock Absorber	90044625	2	AR-955	All	5.69 [2.58]
7	Lower Shock Bracket	90018179	2	AR-955	All	5.61 [2.54]
8	Equalizing Beam Assembly LH (Includes Key #8a, 8b, 7)	90515720	1	AR-955	9, 14	121.00 [54.88]
	Equalizing Beam Assembly LH (Includes Key #8a, 8b, 7)	90515637	1	AR-955	12, 17	104.00 [47.17]
8a	Rubber Bushing	90008139	2	AR-955	All	4.68 [2.12]
8b	Beam Seat	90001008	2	AR-955	9, 14	27.60 [12.52]
	Beam Seat	90001006	2	AR-955	12, 17	16.82 [7.63]
9	Equalizing Beam Assembly RH (Includes Key #8a, 8b, 7)	90515721	1	AR-955	9, 14	121.00 [54.88]
	Equalizing Beam Assembly RH (Includes Key #8a, 8b, 7)	90515638	1	AR-955	12, 17	104.00 [47.17]
10	Air Spring Mounting Plate	90033785	2	AR-955	All	4.10 [1.86]
11	Air Spring Assembly	90557077	2	AR-955	All	22.00 [9.97]
12	U-Bolt 1"-8 x 12.50" x 5" Round	90042792	4	AR-955	9, 14	0.62 [0.28]
	U-Bolt 1"-8 x 9" x 5" Round	90041878	4	AR-955	12, 17	1.88 [0.85]
	U-Bolt 1"-8 x 12.50" x 5" Square	90042795	4	AR-955	9, 14	5.67 [2.57]
	U-Bolt 1"-8 x 9.50" x 5" Square	90041997	4	AR-955	12, 17	4.58 [2.08]
13	Flat Washer 1"	93900027	8	AR-955	All	0.04 [0.02]
14	Lock Nut 1"-8	93400502	8	AR-955	All	0.34 [0.15]
15	Bolt 1.13"-7 x 9.25"	93201055	2	AR-955	All	2.92 [1.32]
16	Nut,Hex,Lock 1.13-7 GR C	93400506	2	AR-955	All	0.38 [0.17]
17	Lock Washer .50"	93600072	8	AR-955	All	0.02 [0.01]
18	Bolt .50"-13 x 1"	93002893	6	AR-955	All	0.08 [0.04]
19	Hex Nut .50"-13	93400136	2	AR-955	All	0.40 [0.18]
20	Hex Nut .75"-16	93400149	2	AR-955	All	0.12 [0.05]
21	Lock Washer .75"	93600077	4	AR-955	All	0.04 [0.02]
22	Bolt .75"-10 x 3.75"	93003603	4	AR-955	All	0.54 [0.24]
23	Washer, HT .75"	93600156	2	AR-955	All	0.04 [0.02]
24	Lock Nut .75"-10	93400492	2	AR-955	All	0.13 [0.06]
25	Square Nut .75"-10	93400367	2	AR-955	All	0.14 [0.06]
26	Axle Adapter 5" Round	90001082	2	AR-955	All	9.00 [4.08]
	Axle Adapter 5" Square	90001083	2	AR-955	All	6.58 [2.98]
27	Axle Cap 5" Round	90010032	2	AR-955	All	6.55 [2.97]
	Axle Cap 5" Square	90010022	2	AR-955	All	9.86 [4.47]
28	Rubber Pad	90028083	2	AR-955	All	1.90 [0.86]
29	Rubber Wrapper 5" Round	90028047	2	AR-955	All	1.29 [0.59]
	Rubber Wrapper 5" Square	90028073	2	AR-955	All	1.36 [0.61]
30	Crossmember Assembly LH (Includes Key #35, 36)	90518727	1	AR-955	9, 12	25.00 [11.34]
	Crossmember Assembly LH (Includes Key #35, 36)	90518726	1	AR-955	14, 17	35.00 [15.88]
31	Crossmember Assembly RH (Includes Key #35, 36)	90518754	1	AR-955	9, 12	27.00 [12.25]
	Crossmember Assembly RH (Includes Key #35, 36)	90518753	1	AR-955	14, 17	37.00 [16.78]
32	Channel Assembly	90538008	1	AR-955	All	13.00 [5.90]
33	Channel Assembly	90538007	2	AR-955	9, 12	6.00 [2.72]
	Gusset	90032137	2	AR-955	14, 17	1.22 [0.55]
34	Replacement Shock Bushing	90508004	8	AR-955	All	0.20 [0.10]
35	Upper Shock Bracket	90018322	2	AR-955	All	8.05 [3.65]
36	Bracket	90023865	2	AR-955	All	0.90 [0.41]
FOR COIL SPRING LIFT REPLACEMENT PARTS, REFER TO SERVICE REPAIR KITS BELOW						
37	SRK-96 Cam Assembly - 1"	48100144	1	AR-955	All	29.00 [13.15]
38	SRK-103 Coil Lift Kit .50" Pin	48100151	1	AR-955	All	30.00 [13.61]
39	SRK-96 Lower Cam Pin - 1"	48100144	1	AR-955	All	29.00 [13.15]
40	SRK-96 Upper Cam Pin	48100144	1	AR-955	All	29.00 [13.15]
41	SRK-159 Coil Spring Replacement	48100216	2	AR-955	All	31.00 [14.06]
SERVICE REPAIR KITS						
	SRK-64 - Axle Connection (5" Round)	48100108	1	AR-955	12, 17	28.00 [12.70]
	SRK-68 - Axle Connection (5" Square, 20" Wheel)	48100112	1	AR-955	12, 17	37.00 [16.78]
	SRK-128 - Axle Connection (5" Round)	48100181	1	AR-955	9, 14	35.00 [15.88]
	SRK-145 - Pivot Connection	48100202	1	AR-955	All	19.54 [8.86]

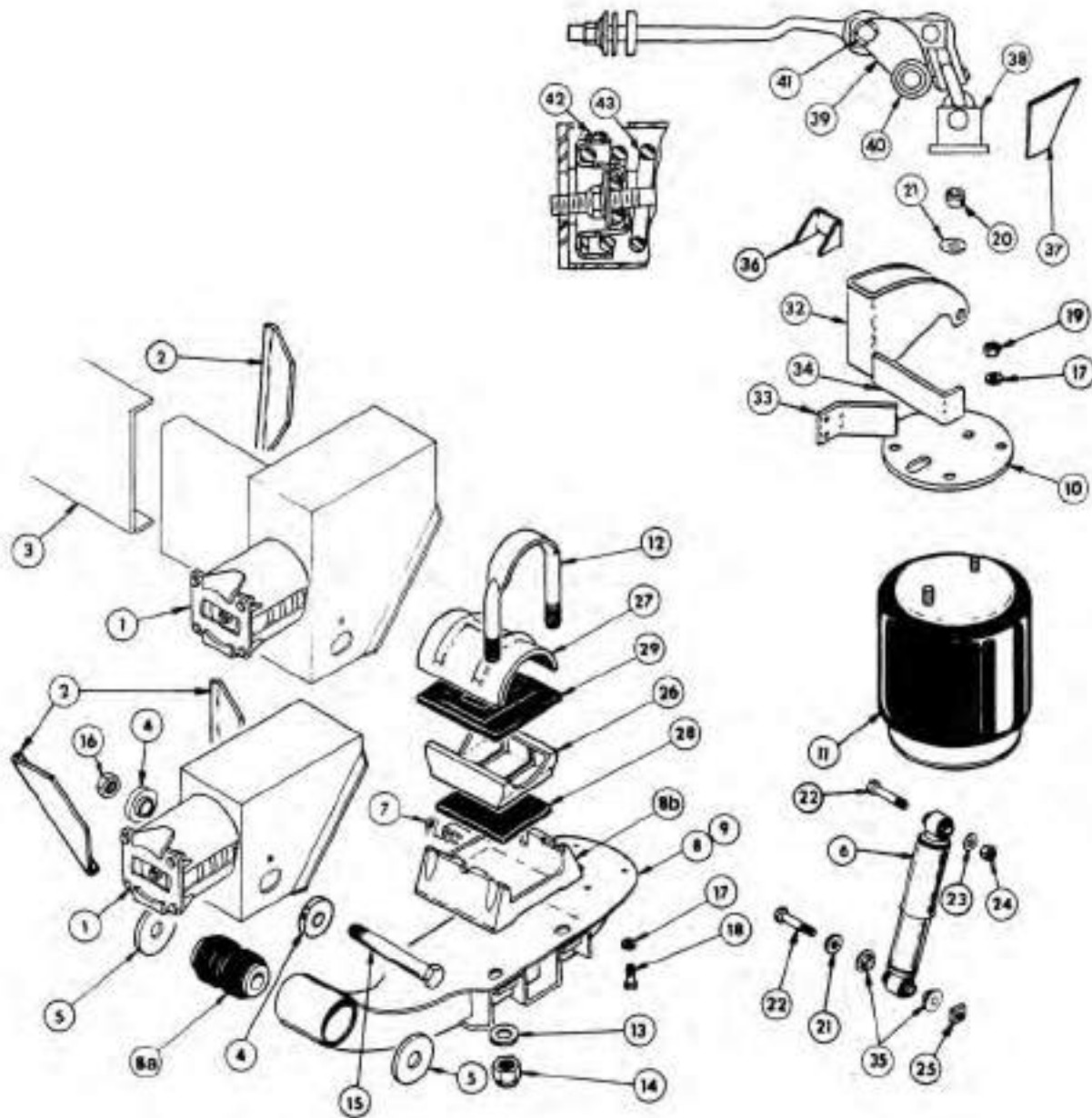


**DISCONTINUED MODEL
SERVICE PARTS ONLY**
Please contact Customer Service for part availability
800.876.3929

ITEM	DESCRIPTION	PART NUMBER	QTY REQD	MODEL	RIDE HEIGHT	WEIGHT LBS. [KG]
1	Frame Bracket Assembly LH Adjustable	90519985	2	AR-955	9-HD, 12-HD	89.00 [40.37]
	Frame Bracket Assembly RH Fixed (Includes Key #4)	90519986	1	AR-955	14-HD, 17-HD	86.00 [39.00]
	Frame Bracket Assembly LH Adjustable	90519987	1	AR-955	14-HD, 17-HD	87.00 [39.46]
2	Angle Brace	90023866	4	AR-955	9-HD, 12-HD	5.05 [2.30]
	Angle Brace LH	90023918	1	AR-955	14-HD, 17-HD	6.67 [3.02]
	Angle Brace RH	90023919	1	AR-955	14-HD, 17-HD	6.60 [3.00]
3	Channel	41023327	1	AR-955	14-HD, 17-HD	17.90 [8.12]

ITEM	DESCRIPTION	PART NUMBER	QTY REQD	MODEL	RIDE HEIGHT	WEIGHT LBS. [KG]
4	Adjusting Bushing	90008092	4	AR-955	All	0.96 [0.44]
5	Spacer Washer	90036177	4	AR-955	All	0.80 [0.36]
6	Shock Absorber	90044625	2	AR-955	All	5.69 [2.58]
7	Lower Shock Bracket	90018179	2	AR-955	All	5.61 [2.54]
8	Equalizing Beam Assembly LH (Includes Key #8a, 8b, 7)	90515867	1	AR-955	9-HD, 14-HD	121.00 [54.88]
	Equalizing Beam Assembly LH (Includes Key #8a, 8b, 7)	90515785	1	AR-955	12-HD, 17-HD	109.40 [49.62]
8a	Rubber Bushing	90008139	2	AR-955	All	4.68 [2.12]
8b	Beam Seat	90001128	2	AR-955	9-HD, 14-HD	N/A
	Beam Seat	90001119	2	AR-955	12-HD, 17-HD	20.69 [9.38]
9	Equalizing Beam Assembly RH (Includes Key #8a, 8b, 7)	90515868	1	AR-955	9-HD, 14-HD	121.00 [54.88]
	Equalizing Beam Assembly RH (Includes Key #8a, 8b, 7)	90515786	1	AR-955	12-HD, 17-HD	109.40 [49.62]
10	Air Spring Mounting Plate	90033785	2	AR-955	All	4.10 [1.86]
11	Air Spring Assembly	90557077	2	AR-955	All	22.00 [9.97]
12	U-Bolt 1"-8 x 12" x 5" Round	90041394	4	AR-955	9-HD, 14-HD	5.42 [2.45]
	U-Bolt 1"-8 x 9" x 5" Round	90041382	4	AR-955	12-HD, 17-HD	4.31 [1.95]
	U-Bolt 1"-8 x 12.50" x 5" Square	90042795	4	AR-955	9-HD, 14-HD	5.67 [2.57]
	U-Bolt 1"-8 x 9.50" x 5" Square	90041997	4	AR-955	12-HD, 17-HD	4.58 [2.08]
13	Flat Washer 1"	93900027	8	AR-955	All	0.04 [0.02]
14	Lock Nut 1"-8	93400502	8	AR-955	All	0.34 [0.15]
15	Bolt 1.13"-7 x 9.25"	93201055	2	AR-955	All	2.92 [1.32]
16	Nut,Hex,Lock 1.13-7 GR C	93400506	2	AR-955	All	0.38 [0.17]
17	Lock Washer .50"	93600072	8	AR-955	All	0.02 [0.01]
18	Bolt .50"-13 x 1"	93002893	6	AR-955	All	0.08 [0.04]
19	Hex Nut .50"-13	93400136	2	AR-955	All	0.40 [0.18]
20	Hex Nut .75"-16	93400149	2	AR-955	All	0.12 [0.05]
21	Lock Washer .75"	93600077	4	AR-955	All	0.04 [0.02]
22	Bolt .75"-10 x 3.75"	93003603	4	AR-955	All	0.54 [0.24]
23	Washer, HT .75"	93600156	2	AR-955	All	0.04 [0.02]
24	Lock Nut .75"-10	93400492	2	AR-955	All	0.13 [0.06]
25	Square Nut .75"-10	93400367	2	AR-955	All	0.14 [0.06]
26	Axle Adapter 5" Round	90001082	2	AR-955	All	9.00 [4.08]
	Axle Adapter 5" Square	90001083	2	AR-955	All	6.58 [2.98]
27	Axle Cap 5" Round	90010002	2	AR-955	All	10.87 [4.93]
	Axle Cap 5" Square	90010022	2	AR-955	All	9.86 [4.47]
28	Rubber Pad	90028083	2	AR-955	All	1.90 [0.86]
29	Rubber Wrapper 5" Round	90028007	2	AR-955	All	0.83 [0.37]
	Rubber Wrapper 5" Square	90028005	2	AR-955	All	1.17 [0.53]
30	Crossmember Assembly LH (Includes Key #34, 35)	90518727	1	AR-955	9-HD, 12-HD	25.00 [11.34]
	Crossmember Assembly LH (Includes Key #34, 35)	90518726	1	AR-955	14-HD, 17-HD	35.00 [15.88]
31	Crossmember Assembly RH (Includes Key #34, 35)	90518754	1	AR-955	9-HD, 12-HD	27.00 [12.25]
	Crossmember Assembly RH (Includes Key #34, 35)	90518753	1	AR-955	14-HD, 17-HD	37.00 [16.78]
32	Channel Assembly	90538008	1	AR-955	All	13.00 [5.90]
33	Channel Assembly	90538007	2	AR-955	9-HD, 12-HD	6.00 [2.72]
	Gusset	90032137	2	AR-955	14-HD, 17-HD	1.22 [0.55]
34	Upper Shock Bracket	90018322	2	AR-955	All	8.05 [3.65]
35	Bracket	90023865	2	AR-955	All	0.90 [0.41]
36	Replacement Shock Bushing	90508004	8	AR-955	All	0.20 [0.10]
FOR COIL SPRING LIFT REPLACEMENT PARTS, REFER TO SERVICE REPAIR KITS BELOW						
37	SRK-96 Cam Assembly - 1"	48100144	1	AR-955	All	29.00 [13.15]
38	SRK-103 Coil Lift Kit .50" Pin	48100151	1	AR-955	All	30.00 [13.61]
39	SRK-96 Lower Cam Pin - 1"	48100144	1	AR-955	All	29.00 [13.15]
40	SRK-96 Upper Cam Pin	48100144	1	AR-955	All	29.00 [13.15]
41	SRK-159 Coil Spring Replacement	48100216	2	AR-955	All	31.00 [14.06]
SERVICE REPAIR KITS						
	SRK-68 - Axle Connection (5" Square, 20" Wheels)	48100112	1	AR-955	12-HD, 17-HD	37.00 [16.78]
	SRK-132 - Axle Connection (5" Round Heavy-Duty)	48100186	1	AR-955	9-HD, 14-HD	31.00 [14.06]
	SRK-145 - Pivot Connection	48100202	1	AR-955	All	19.54 [8.86]

AR-955A-9, -12, -14, -17 Exploded View

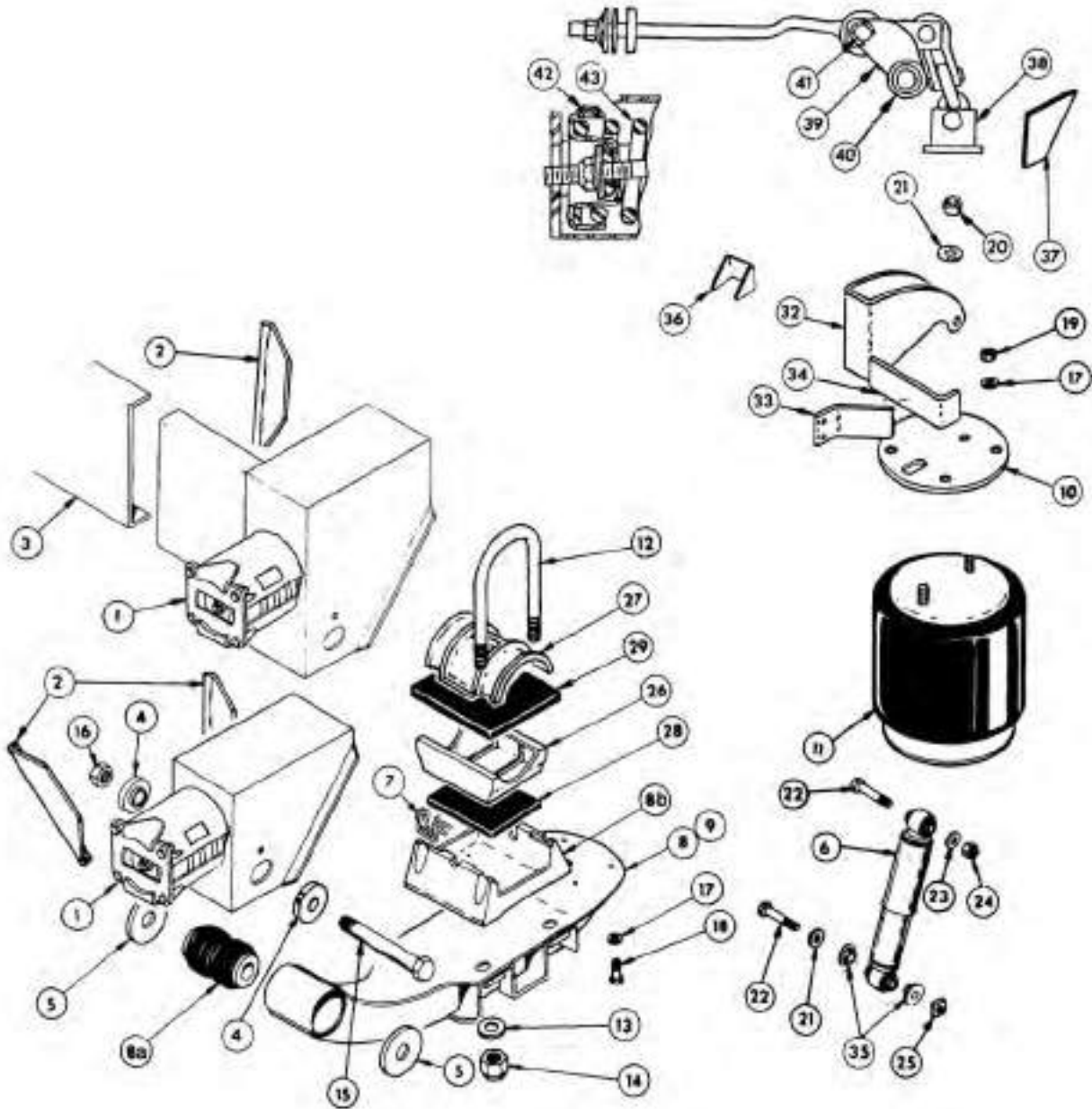


**DISCONTINUED MODEL
SERVICE PARTS ONLY**
Please contact Customer Service for part availability
800.876.3929

ITEM	DESCRIPTION	PART NUMBER	QTY REQD	MODEL	RIDE HEIGHT	WEIGHT LBS. [KG]
1	Frame Bracket Assembly LH Adjustable	90519985	2	AR-955A	9, 12	89.00 [40.37]
	Frame Bracket Assembly RH Fixed (Includes Key #4)	90519986	1	AR-955A	14, 17	86.00 [39.00]
	Frame Bracket Assembly LH Adjustable	90519987	1	AR-955A	14, 17	87.00 [39.46]
2	Angle Brace	90023866	4	AR-955A	9, 12	5.05 [2.30]
	Angle Brace LH	90023918	1	AR-955A	14, 17	6.67 [3.02]
	Angle Brace RH	90023919	1	AR-955A	14, 17	6.60 [3.00]
3	Channel	41023327	1	AR-955A	14, 17	17.90 [8.12]

ITEM	DESCRIPTION	PART NUMBER	QTY REQD	MODEL	RIDE HEIGHT	WEIGHT LBS. [KG]
4	Adjusting Bushing	90008092	4	AR-955A	All	0.96 [0.44]
5	Spacer Washer	90036177	4	AR-955A	All	0.80 [0.36]
6	Shock Absorber	90044625	2	AR-955A	All	5.69 [2.58]
7	Lower Shock Bracket	90019749	2	AR-955A	All	N/A
8	Equalizing Beam Assembly LH (Includes Key #8a, 8b, 7, 38)	90516096	1	AR-955A	9, 14	113.00 [51.26]
	Equalizing Beam Assembly LH (Includes Key #8a, 8b, 7, 38)	90516092	1	AR-955A	12, 17	101.00 [45.81]
8a	Rubber Bushing	90008139	2	AR-955A	All	4.68 [2.12]
8b	Beam Seat	90001008	2	AR-955A	9, 14	27.60 [12.52]
	Beam Seat	90001006	2	AR-955A	12, 17	16.82 [7.63]
9	Equalizing Beam Assembly RH (Includes Key #8a, 8b, 7, 38)	90516097	1	AR-955A	9, 14	N/A
	Equalizing Beam Assembly RH (Includes Key #8a, 8b, 7, 38)	90516093	1	AR-955A	12, 17	109.00 [49.44]
10	Air Spring Mounting Plate	90033785	2	AR-955A	All	4.10 [1.86]
11	Air Spring Assembly	90557077	2	AR-955A	All	22.00 [9.97]
12	U-Bolt 1"-8 x 12.50" x 5" Round	90042792	4	AR-955A	9, 14	0.62 [0.28]
	U-Bolt 1"-8 x 9" x 5" Round	90041878	4	AR-955A	12, 17	1.88 [0.85]
	U-Bolt 1"-8 x 9.50" x 5" Square	90042836	4	AR-955A	12, 17	4.76 [2.16]
	U-Bolt 1"-8 x 12.50" x 5" Square	90042846	4	AR-955A	9, 14	5.69 [2.58]
13	Flat Washer 1"	93900027	8	AR-955A	All	0.04 [0.02]
14	Lock Nut 1"-8	93400502	8	AR-955A	All	0.34 [0.15]
15	Bolt 1.13"-7 x 9.25"	93201055	2	AR-955A	All	2.92 [1.32]
16	Nut,Hex,Lock 1.13-7 GR C	93400506	2	AR-955A	All	0.38 [0.17]
17	Lock Washer .50"	93600072	8	AR-955A	All	0.02 [0.01]
18	Bolt .50"-13 x 1"	93002893	6	AR-955A	All	0.08 [0.04]
19	Hex Nut .50"-13	93400136	2	AR-955A	All	0.40 [0.18]
20	Hex Nut .75"-16	93400149	2	AR-955A	All	0.12 [0.05]
21	Lock Washer .75"	93600077	4	AR-955A	All	0.04 [0.02]
22	Bolt .75"-10 x 3.50"	93003597	4	AR-955A	All	0.52 [0.24]
23	Washer, HT .75"	93600156	2	AR-955A	All	0.04 [0.02]
24	Lock Nut .75"-10	93400492	2	AR-955A	All	0.13 [0.06]
25	Square Nut .75"-10	93400367	2	AR-955A	All	0.14 [0.06]
26	Axle Adapter 5" Round	90001082	2	AR-955A	All	9.00 [4.08]
	Axle Adapter 5" Square	90001083	2	AR-955A	All	6.58 [2.98]
27	Axle Cap 5" Round	90010032	2	AR-955A	All	6.55 [2.97]
	Axle Cap 5" Square	90010047	2	AR-955A	All	10.00 [4.54]
28	Rubber Pad	90028083	2	AR-955A	All	1.90 [0.86]
29	Rubber Wrapper 5" Round	90028047	2	AR-955A	All	1.29 [0.59]
	Rubber Wrapper 5" Square	90028073	2	AR-955A	All	1.36 [0.61]
32	Upper Shock Bracket	90518427	2	AR-955A	All	N/A
33	Bracket	90518527	2	AR-955A	All	N/A
34	Support	90524664	2	AR-955A	All	N/A
35	Replacement Shock Bushing	90008004	8	AR-955A	All	N/A
36	Reinforcement Bracket	90023876	2	AR-955A	All	0.61 [0.28]
37	Gusset	90031137	2	AR-955A	14, 17	N/A
38	Beam Lift Bracket	90531040	2	AR-955A	All	2.00 [0.91]
FOR COIL SPRING LIFT REPLACEMENT PARTS, REFER TO SERVICE REPAIR KITS BELOW						
39	SRK-158 - Cam Assembly	48100215	1	AR-955A	All	30.00 [13.60]
40	SRK-161 - Lower Cam Pin	48100218	1	AR-955A	All	6.24 [2.83]
41	SRK-162 - Upper Cam Pin	48100219	1	AR-955A	All	4.38 [1.99]
42	SRK-163 - Wear Band	48100220	1	AR-955A	All	N/A
43	SRK-173 - Coil Spring Repl. (With Installation Tool)	48100230	2	AR-955A	All	26.00 [11.79]
	SRK-173-1 - Coil Spring Repl. (Without Installation Tool)	48100250	2	AR-955A	All	18.00 [8.16]
SERVICE REPAIR KITS						
	SRK-64 - Axle Connection (5" Round)	48100108	1	AR-955A	12, 17	28.00 [12.70]
	SRK-128 - Axle Connection (5" Round)	48100181	1	AR-955A	9, 14	35.00 [15.88]
	SRK-145 - Pivot Connection	48100202	1	AR-955A	All	19.54 [8.86]

AR-955A-9-HD, -12-HD, -14-HD, -17-HD Exploded View

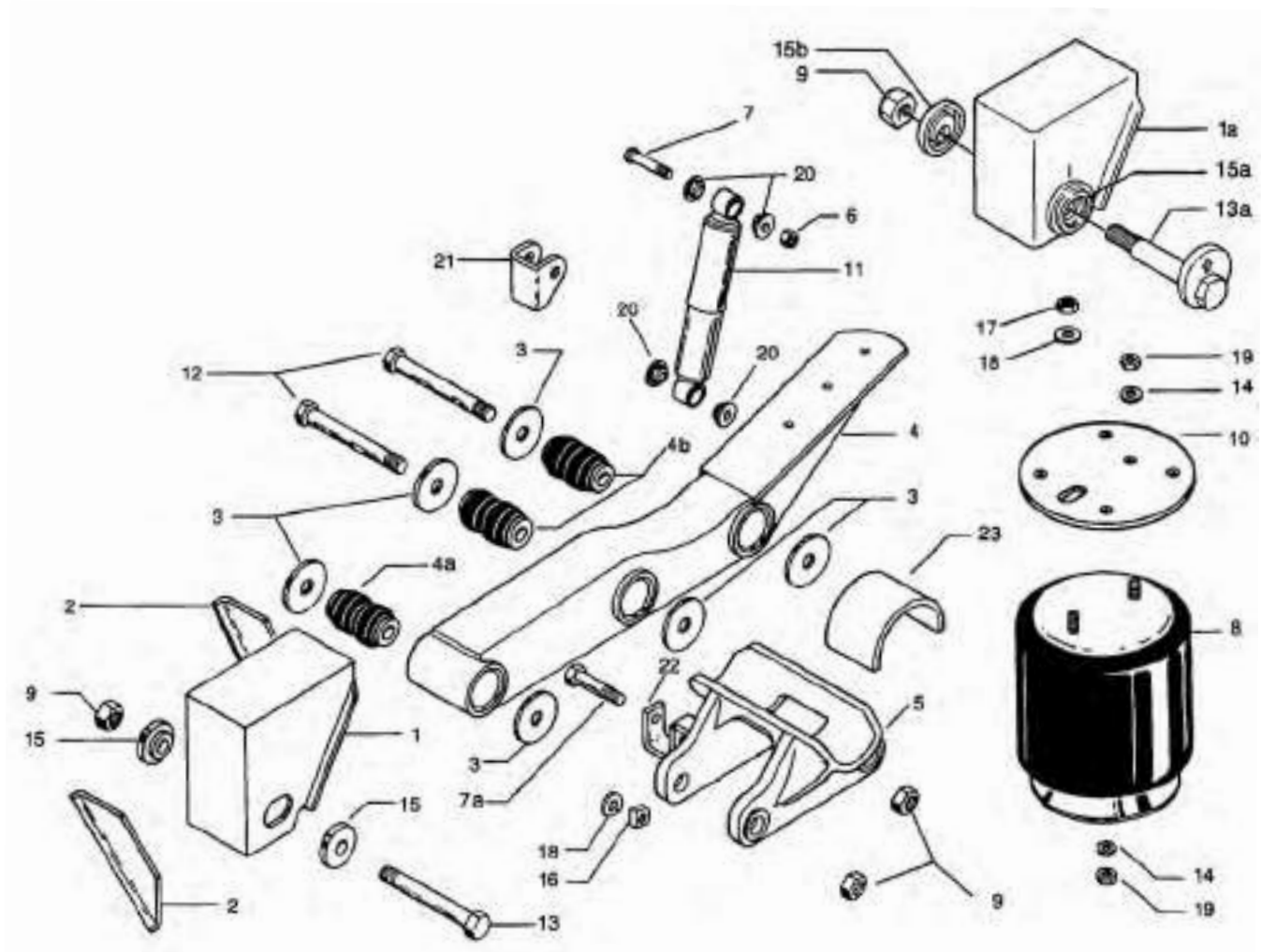


**DISCONTINUED MODEL
SERVICE PARTS ONLY**
Please contact Customer Service for part availability
800.876.3929

ITEM	DESCRIPTION	PART NUMBER	QTY REQD	MODEL	RIDE HEIGHT	WEIGHT LBS. [KG]
1	Frame Bracket Assembly LH Adjustable	90519985	2	AR-955A	9-HD, 12-HD	89.00 [40.37]
	Frame Bracket Assembly RH Fixed (Includes Key #4)	90519986	1	AR-955A	14-HD, 17-HD	86.00 [39.00]
	Frame Bracket Assembly LH Adjustable	90519987	1	AR-955A	14-HD, 17-HD	87.00 [39.46]
2	Angle Brace	90023866	4	AR-955A	9-HD, 12-HD	5.05 [2.30]
	Angle Brace LH	90023918	1	AR-955A	14-HD, 17-HD	6.67 [3.02]
	Angle Brace RH	90023919	1	AR-955A	14-HD, 17-HD	6.60 [3.00]
3	Channel	41023327	1	AR-955A	14-HD, 17-HD	17.90 [8.12]

ITEM	DESCRIPTION	PART NUMBER	QTY REQD	MODEL	RIDE HEIGHT	WEIGHT LBS. [KG]
4	Adjusting Bushing	90008092	4	AR-955A	All	0.96 [0.44]
5	Spacer Washer	90036177	4	AR-955A	All	0.80 [0.36]
6	Shock Absorber	90044625	2	AR-955A	All	5.69 [2.58]
7	Lower Shock Bracket	90519749	2	AR-955A	All	5.70 [2.59]
8	Equalizing Beam Assembly LH (Includes Key #8a, 8b, 7, 38)	90516106	1	AR-955A	9-HD, 14-HD	105.50 [47.85]
	Equalizing Beam Assembly LH (Includes Key #8a, 8b, 7, 38)	90516102	1	AR-955A	12-HD, 17-HD	105.50 [47.85]
8a	Rubber Bushing	90008139	2	AR-955A	All	4.68 [2.12]
8b	Beam Seat	90001181	2	AR-955A	9-HD, 14-HD	N/A
	Beam Seat	90001131	2	AR-955A	12-HD, 17-HD	21.00 [9.53]
9	Equalizing Beam Assembly RH (Includes Key #8a, 8b, 7, 38)	90516107	1	AR-955A	9-HD, 14-HD	105.50 [47.85]
	Equalizing Beam Assembly RH (Includes Key #8a, 8b, 7, 38)	90516103	1	AR-955A	12-HD, 17-HD	105.50 [47.85]
10	Air Spring Mounting Plate	90033785	2	AR-955A	All	4.10 [1.86]
11	Air Spring Assembly	90557077	2	AR-955A	All	22.00 [9.97]
12	U-Bolt 1" -8 x 12" x 5" Round	90041394	4	AR-955A	9-HD, 14-HD	5.42 [2.45]
	U-Bolt 1" -8 x 9.50" x 5" Round	90041384	4	AR-955A	12-HD, 17-HD	4.50 [2.04]
	U-Bolt 1" -8 x 9.50" x 5" Square	90042836	4	AR-955A	12-HD, 17-HD	4.76 [2.16]
	U-Bolt 1" -8 x 12.50" x 5" Square	90042846	4	AR-955A	9-HD, 14-HD	5.69 [2.58]
13	Flat Washer 1"	93900027	8	AR-955A	All	0.04 [0.02]
14	Lock Nut 1"-8	93400502	8	AR-955A	All	0.34 [0.15]
15	Bolt 1.13"-7 x 9.25"	93201055	2	AR-955A	All	2.92 [1.32]
16	Nut,Hex,Lock 1.13-7 GR C	93400506	2	AR-955A	All	0.38 [0.17]
17	Lock Washer .50"	93600072	8	AR-955A	All	0.02 [0.01]
18	Bolt .50"-13 x 1.50"	93002905	6	AR-955A	All	N/A
19	Hex Nut .50"-13	93400136	2	AR-955A	All	0.40 [0.18]
20	Hex Nut .75"-16	93400149	2	AR-955A	All	0.12 [0.05]
21	Lock Washer .75"	93600077	4	AR-955A	All	0.04 [0.02]
22	Bolt .75"-10 x 3.50"	93003597	4	AR-955A	All	0.52 [0.24]
23	Washer, HT .75"	93600156	2	AR-955A	All	0.04 [0.02]
24	Lock Nut .75"-10	93400492	2	AR-955A	All	0.13 [0.06]
25	Square Nut .75"-10	93400367	2	AR-955A	All	0.14 [0.06]
26	Axle Adapter 5" Round	90001132	2	AR-955A	All	9.71 [4.40]
	Axle Adapter 5" Square	90001133	2	AR-955A	All	6.37 [2.89]
27	Axle Cap 5" Round	90010002	2	AR-955A	All	10.87 [4.93]
	Axle Cap 5" Square	90010047	2	AR-955A	All	10.00 [4.54]
28	Rubber Pad	90028083	2	AR-955A	All	1.90 [0.86]
29	Rubber Wrapper 5" Round	90028007	2	AR-955A	All	0.83 [0.37]
	Rubber Wrapper 5" Square	90028073	2	AR-955A	All	1.36 [0.61]
32	Upper Shock Bracket	90518427	1	AR-955A	All	N/A
33	Bracket	90018527	1	AR-955A	All	0.75 [0.34]
34	Support	90024664	1	AR-955A	All	N/A
35	Replacement Shock Bushing	90508004	8	AR-955A	All	0.20 [0.10]
36	Reinforcement Bracket	90023876	2	AR-955A	All	0.61 [0.28]
37	Gusset	90032137	2	AR-955A	14-HD, 17-HD	1.22 [0.55]
38	Beam Lift Bracket	90531040	2	AT-955A	All	2.00 [0.91]
FOR COIL SPRING LIFT REPLACEMENT PARTS, REFER TO SERVICE REPAIR KITS BELOW						
39	SRK-158 - Cam Assembly	48100215	1	AR-955A	All	30.00 [13.60]
40	SRK-161 - Lower Cam Pin	48100218	1	AR-955A	All	6.24 [2.83]
41	SRK-162 - Upper Cam Pin	48100219	1	AR-955A	All	4.38 [1.99]
42	SRK-163 - Wear Band	48100220	1	AR-955A	All	N/A
43	SRK-173 - Coil Spring Repl. (With Installation Tool)	48100230	2	AR-955A	All	26.00 [11.79]
	SRK-173-1 - Coil Spring Repl. (Without Installation Tool)	48100250	2	AR-955A	All	18.00 [8.16]
SERVICE REPAIR KITS						
	SRK-132 - Axle Connection (5" Round Heavy-Duty)	48100186	1	AR-955A	9-HD, 14-HD	31.00 [14.06]
	SRK-145 - Pivot Connection	48100202	1	AR-955A	All	19.54 [8.86]

ARU-92-8, -9, -10, -12 Exploded View



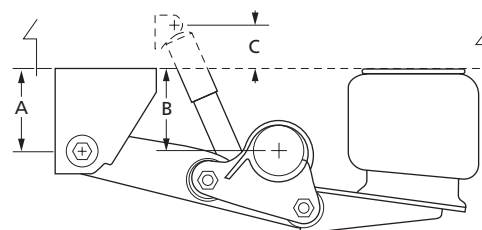
**DISCONTINUED MODEL
SERVICE PARTS ONLY**

Please contact Customer Service for part availability
800.876.3929

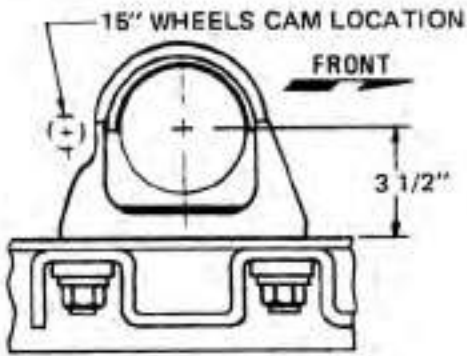
ITEM	DESCRIPTION	PART NUMBER	QTY REQD	RIDE HEIGHT	WEIGHT LBS. [KG]
1	Standard Frame Bracket (Adjustable)	90520346	2*	8	21.40 [9.71]
	Standard Frame Bracket (Adjustable)	90519710	2*	9	23.80 [10.80]
	Standard Frame Bracket (Adjustable)	90520831	2*	10	N/A
	Standard Frame Bracket (Adjustable)	90519712	2*	12	30.00 [13.61]
1a	Non-Weld (EZ-ALIGN) Frame Bracket LH(Includes 15a)	90520638	1	8	22.80 [10.34]
	Non-Weld (EZ-ALIGN) Frame Bracket LH(Includes 15a)	90520636	1	9	25.20 [11.43]
	Non-Weld (EZ-ALIGN) Frame Bracket LH(Includes 15a)	90520637	1	10	N/A
	Non-Weld (EZ-ALIGN) Frame Bracket LH(Includes 15a)	90520642	1	12	31.50 [14.29]
2	Angle Brace	90023002	4	8,9	2.20 [1.00]
	Angle Brace	90023001	4	10,12	3.84 [1.74]
3	Spacer Washer	90036177	12	All	0.80 [0.36]
4	Equalizing Beam LH (Includes Item #4a, 4b)	90516552	1	All	69.00 [31.30]
	Equalizing Beam RH (Includes Item #4a, 4b)	90516553	1	All	63.00 [28.57]
4a	Rubber Bushing (Front Pivot)	90008139	2	All	4.68 [2.12]
4b	Rubber Bushing (Axle Connection)	90008149	4	All	2.50 [1.13]
5	Axle Adapter LH	90501263	1	All	36.75 [16.67]
	Axle Adapter RH	90501264	1	All	36.77 [16.68]
6	Lock Nut .75-10	93400492	2	All	0.13 [0.06]
7	Cap Screw .75 - 10 x 3.50" Gr5 (upper shock bracket)	93003597	2	All	0.52 [0.24]
7a	Cap Screw .75 - 10 x 4" Gr5 (lower shock bracket)	93003609	2	All	0.58 [0.26]
8	Air Spring Assembly	90557117	2	8	14.00 [6.35]
	Air Spring Assembly	90557112	2	9,10	14.00 [6.35]
	Air Spring Assembly	90557126	2	12	18.00 [8.16]
9	Nut,Hex,Lock 1.13-7 GR C	93400506	6	All	0.38 [0.17]
10	Air Spring Mounting Plate	90033785	2	All	4.10 [1.86]
11	Shock Absorber	90044642	2	All	4.67 [2.12]
12	Bolt, Hex,1.12-7 X 8.75" Gr 8	93201051	4	All	2.80 [1.27]
13	Cap Screw 1.13 - 7 x 9.25" Gr8	93201055	2*	All	2.92 [1.32]
13a	Cap Screw 1.13 - 7 x 9.25" (Non-Weld Application)	90508019	1	All	4.00 [1.81]
14	Lock Washer .50"	93600072	4	All	0.02 [0.01]
15	Alignment Bushing	90008147	4*	All	1.50 [0.68]
15a	Alignment Bushing (Non-Weld Application)	90008185	2	All	0.59 [0.27]
15b	Alignment Bushing (Non-Weld Application)	90008186	1	All	1.01 [0.46]
16	Square Nut .75 - 10	93400367	2	All	0.14 [0.06]
17	Hex Nut .75 - 16	93400149	2	All	0.12 [0.05]
18	Lock Washer .75"	93600077	4	All	0.04 [0.02]
19	Hex Nut .50 - 13	93400136	4	All	0.40 [0.18]
20	Replacement Shock Bushing	90508004	8	All	0.20 [0.10]
21	Upper Shock Bracket	90519040	2	All	1.42 [0.64]
22	Lower Shock Bracket	90519773	2	All	2.40 [1.09]
23	Safety Strap	90025288	2	All	3.58 [1.62]
SERVICE REPAIR KITS					
	SRK-145 - Pivot Connection	48100202	1	All	19.54 [8.86]
	SRK-149 - Axle Connection (5" Round, 20" Wheel)	48100206	1	All	32.28 [14.64]
	SRK-232 - Pivot Connection, Non-Weld (EZ-ALIGN)	48100294	1	All	12.00 [5.44]

* For Non-Weld (EZ-ALIGN) application reduce quantity used per axle by half

MODEL	A DIMENSION	B DIMENSION	C DIMENSION
ARU-92-8	7.50	8	5.25
ARU-92-9	8.25	9	3.63
ARU-92-10	10.63	10	2.38
ARU-92-12	11.25	12	1.12

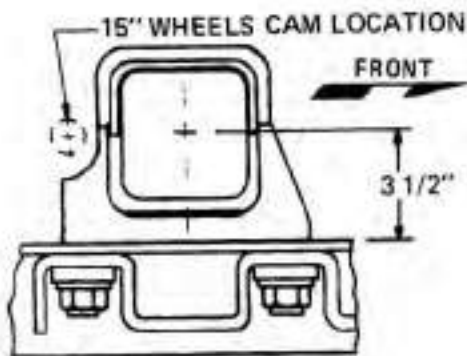
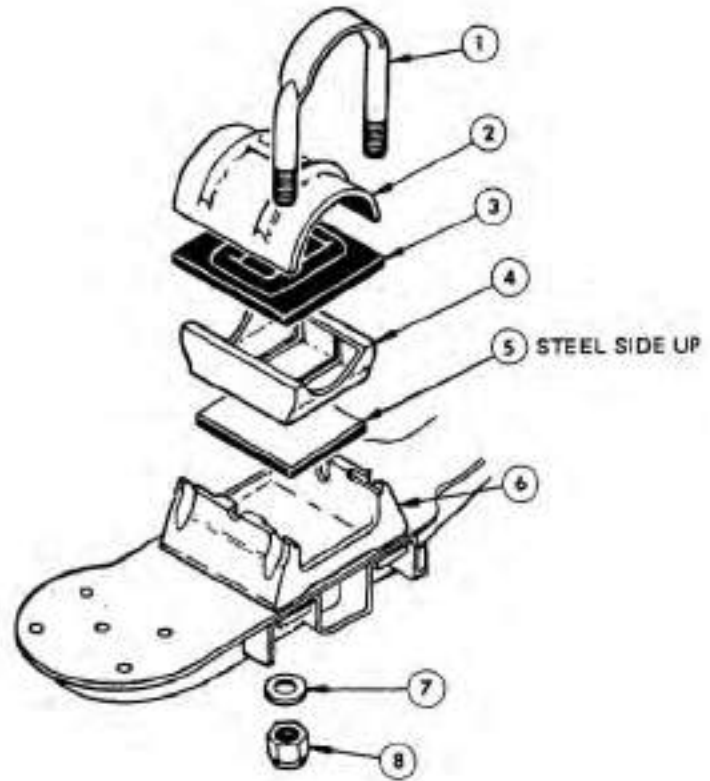


15" Wheel Connection – 5" Round & 5" Square



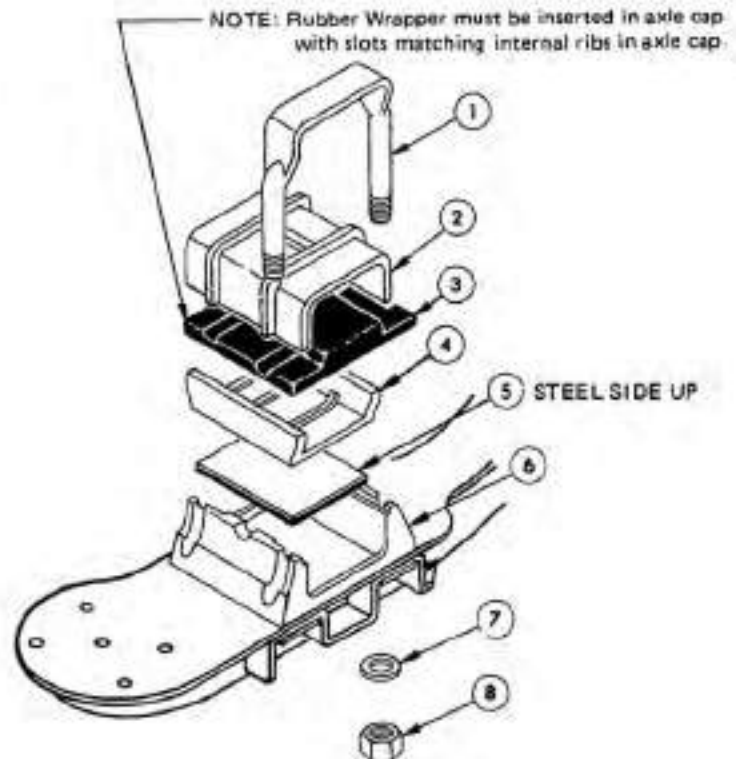
5" ROUND AXLE CONNECTION

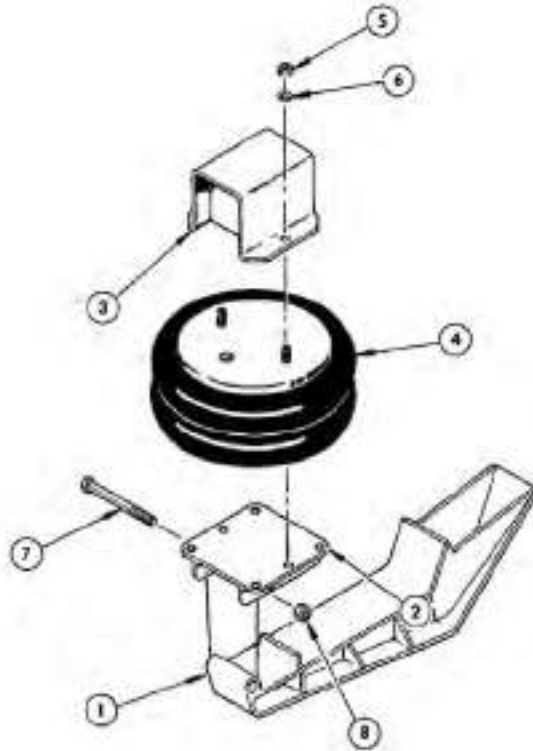
ITEM	DESCRIPTION	PART NUMBER	WEIGHT LBS. [KG]
1	U-Bolt	90042408	N/A
2	Axle Cap	90510093	7.50 [3.40]
3	Rubber Wrapper	90028047	1.29 [0.59]
4	Axle Adapter	90001082	9.00 [4.08]
5	Steel/Rubber Pad	90028083	1.90 [0.86]
6	Beam Seat	90001078	17.10 [7.76]
7	Washer	93900027	0.04 [0.02]
8	Lock Nut	93400502	0.34 [0.15]



5" SQUARE AXLE CONNECTION

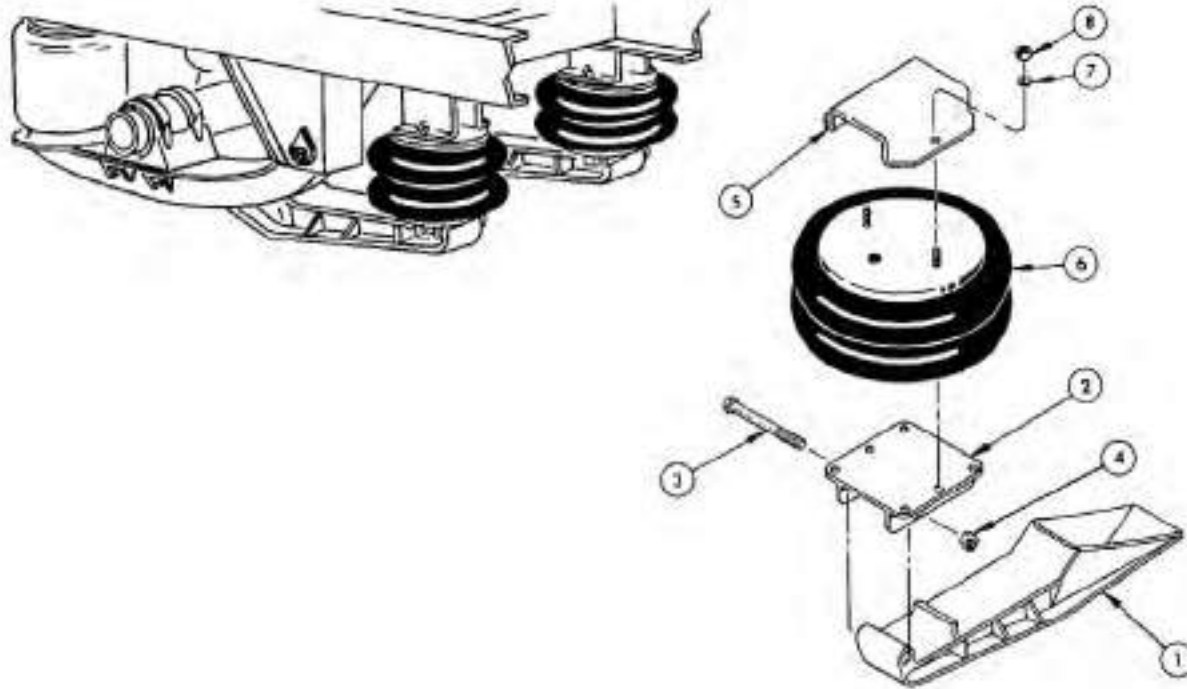
ITEM	DESCRIPTION	PART NUMBER	WEIGHT LBS. [KG]
1	U-Bolt	90042408	N/A
2	Axle Cap	90010026	12.43 [5.64]
3	Rubber Wrapper	90028047	1.29 [0.59]
4	Axle Adapter	90001082	9.00 [4.08]
5	Steel/Rubber Pad	90028083	1.90 [0.86]
6	Beam Seat	90001086	18.53 [8.41]
7	Washer	93900027	0.04 [0.02]
8	Lock Nut	93400502	0.34 [0.15]





ITEM	DESCRIPTION	PART NUMBER	QTY REQD	RIDE HEIGHT	WEIGHT LBS. [KG]
1	Lifting Beam	90544204	2	All	N/A
2	Air Spring Mounting Bracket	90001012	2	All	7.39 [3.35]
3	Frame Mounting Bracket	90518036	2	14	N/A
	Frame Mounting Bracket	90519730	2	17	11.48 [5.20]
4	Air Spring Assembly	90557014	2	All	13.00 [5.90]
5	Hex Nut .50 - 13 GrB	93400136	8	All	0.40 [0.18]
6	Lock Washer .50	93600072	8	All	0.02 [0.01]
7	Cap Screw .75 - 10 x 6 Gr5	93003657	2	All	0.82 [0.37]
8	Lock Nut .75 - 10 GrB	93400492	2	All	0.13 [0.06]

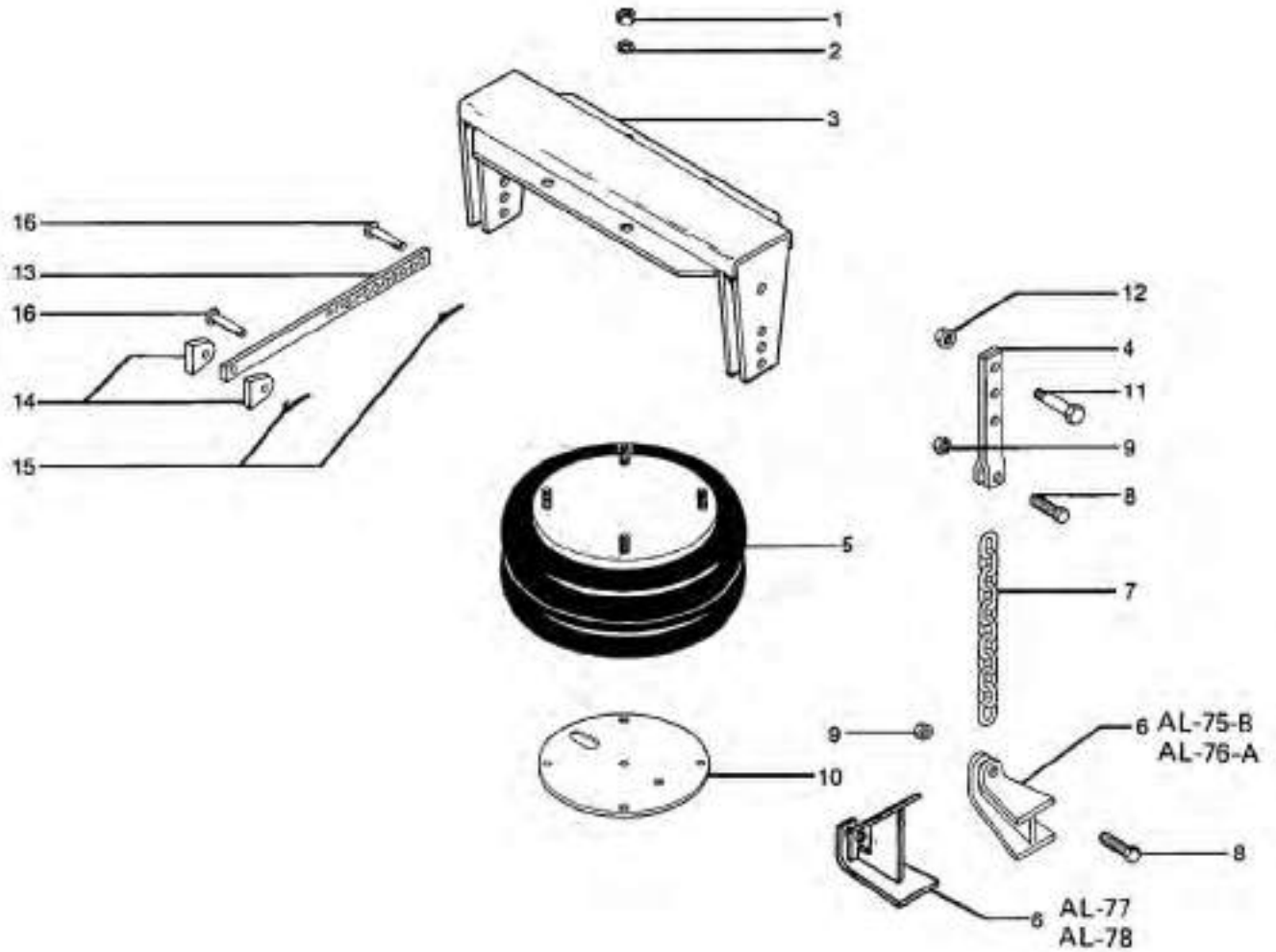
AL-45-9, -12, -14, -17 Air Suspension Lift Kit For Underslung Suspensions



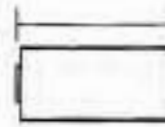
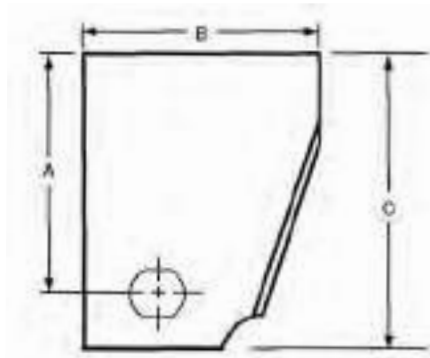
ITEM	DESCRIPTION	PART NUMBER	QTY REQD	RIDE HEIGHT	WEIGHT LBS. [KG]
1	Lifting Beam	90044203	2	All	24.00 [10.89]
2	Air Spring Mounting Bracket	90001012	2	All	7.39 [3.35]
3	Cap Screw .75" - 10 x 6 Gr5	93003657	2	All	0.82 [0.37]
4	Lock Nut .75 - 10 GrB	93400492	2	All	0.13 [0.06]
5	Frame Mounting Bracket	90518038	2	9	5.00 [2.27]
	Frame Mounting Bracket	90518367	2	12	N/A
	Frame Mounting Bracket	90518748	2	14	N/A
	Frame Mounting Bracket	90518747	2	17	15.96 [7.24]
6	Air Spring Assembly	90557014	2	All	13.00 [5.90]
7	Lock Washer .50	93600072	8	All	0.02 [0.01]
8	Hex Nut .50 - 13 GrB	93400136	8	All	0.40 [0.18]

DISCONTINUED MODEL SERVICE PARTS ONLY

Please contact Customer Service for part availability
800.876.3929



ITEM	DESCRIPTION	PART NUMBER	QTY REQD	RIDE HEIGHT	WEIGHT LBS. [KG]
1	Hex Nut .50" - 13	93400136	8	All	0.40 [0.18]
2	Lock Washer .50"	93600072	8	All	0.02 [0.01]
3	Air Spring Yoke Lift Assembly	90501083	1	AL-75-B, AL-77	31.00 [14.06]
	Air Spring Yoke Lift Assembly	90501084	1	AL-76-A, AL-78	40.00 [18.14]
4	Yoke Half	90018218	4	All	0.80 [0.36]
5	Air Spring	90557001	1	All	18.00 [8.16]
6	Bracket Assembly	90518201	2	AL-75-B, AL-76-A	2.45 [1.11]
	Bracket Assembly	90519808	2	AL-77, AL-78	3.00 [1.36]
7	Chain H.T.	90044111	2	AL-75-B, AL-77, AL-78	2.04 [0.93]
	Chain H.T.	90044109	2	AL-76-A	1.74 [0.79]
8	Cap Screw .50" - 13 x 1.75"	93000031	4	All	N/A
9	Lock Nut .50" - 13	93400541	4	All	0.03 [0.01]
10	Air Spring Mounting Plate	90031027	1	All	5.30 [2.40]
11	Cap Screw .63" - 11 x 2"	93900039	2	All	0.40 [
12	Lock Nut .63" - 11	93400490	2	All	0.07 [0.03]
13	Control Link	90006283	2	All	1.32 [0.60]
14	Stabilizer End Bracket	90031007	4	All	0.40 [0.18]
15	Cotter Pin .12" x 1"	93800001	4	All	0.01 [0.005]
16	Yoke Pin	90044164	4	All	0.10 [0.05]



EQUALIZING BEAM – PIVOT END

PIVOT BUSHING WIDTH

5.00" – RL Series

5.25" – AR/ARU Series

FRAME BRACKET PART NUMBER	TRAILER AIR MODEL	ALIGNMENT	A DIMENSION	B DIMENSION	C DIMENSION	WEIGHT LBS. [KG]
90520383	AR-250-12	Adjustable	5.25	8.50	7.50	12.80 [5.81]
90519710	AR-250-14, 15	Adjustable	8.25	10.00	10.50	23.80 [10.80]
90520828	AR-250-16, 17	Adjustable	10.59 - 10.75	10.00	12.84 - 13.00	28.80 [13.06]
90520834	AR-41-C	Adjustable	10.59	10.00	12.84	27.70 [12.56]
90519718**	AR-41-C	Adjustable	10.00	10.00	12.25	N/A
90520153	AR-45	Adjustable	4.75	8.00	7.00	12.20 [5.53]
90519714	AR-45-1	Adjustable	8.25	10.00	10.50	22.80 [10.34]
90519700	AR-70A-13, 14	Adjustable	13.50	12.00	15.75	43.70 [19.82]
90519692	AR-70A-9	Adjustable	8.25	12.00	10.50	22.50 [10.21]
-	AR-75A-10	Adjustable	Contact NAI Service Engineering			
90519716	AR-75A-12	Adjustable	11.25	10.00	13.50	29.40 [13.33]
90519714	AR-75A-6, 9	Adjustable	8.25	10.00	10.50	22.80 [10.34]
90520351	AR-80-6	Adjustable	6.75	9.75	9.00	20.50 [9.30]
90519714	AR-80-9	Adjustable	8.25	10.00	10.50	22.80 [10.34]
90519714	AR-85-A	Adjustable	8.25	10.00	10.50	22.80 [10.34]
90520219	AR-90-1-12	Adjustable	6.00	9.56	8.25	15.00 [6.80]
90519710	AR-90/90-1-14, 15	Adjustable	8.25	10.00	10.50	23.80 [10.79]
90520828	AR-90/90-1-16	Adjustable	10.59 - 10.75	10.00	12.84 - 13.00	28.80 [13.06]
90519712	AR-90/90-1-17	Adjustable	11.25	10.00	13.50	30.00 [13.60]
90520383	AR-92-12	Adjustable	5.25	8.50	7.50	12.80 [5.81]
90520346	AR-92-14	Adjustable	7.25	10.00	9.50	21.40 [9.71]
90519710	AR-92-15	Adjustable	8.25	10.00	10.50	23.80 [10.80]
90520828	AR-92-16, 17	Adjustable	10.59 - 10.75	10.00	12.84 - 13.00	28.80 [13.06]
90520385	AR-92-18	Adjustable	12.50	10.00	14.75	32.30 [14.65]
90520346	AR-93-14	Adjustable	7.25	10.00	9.50	21.40 [9.71]
90519710	AR-93-15	Adjustable	8.25	10.00	10.50	23.80 [10.80]
90520828	AR-93-16, 17	Adjustable	10.59 - 10.75	10.00	12.84 - 13.00	28.80 [13.06]
90519987	AR-955A-14-HD, 17-HD	LH Adjustable	16.50	15.50	18.75	87.00 [39.46]
90519986	AR-955A-14-HD, 17-HD	RH Fixed	16.50	15.50	18.75	86.00 [39.00]
90519986	AR-955A-14, 17	RH Fixed	16.50	15.50	18.75	86.00 [39.00]
90519987	AR-955A-14, 17	LH Adjustable	16.50	15.50	18.75	87.00 [39.46]
90519984	AR-955A-9-HD, 12-HD	RH Fixed	11.50	15.00	13.75	91.00 [41.28]
90519985	AR-955A-9-HD, 12-HD	LH Adjustable	11.50	15.00	13.75	89.00 [40.37]
90519984	AR-955A-9, 12	RH Fixed	11.50	15.00	13.75	91.00 [41.28]
90519985	AR-955A-9, 12	LH Adjustable	11.50	15.00	13.75	89.00 [40.37]
90519377	AR-95A-14-HD	Adjustable	16.50	15.50	18.75	N/A
90519704	AR-95A-14, 17	Adjustable	16.50	12/00	18/75	51.20 [23.22]
-	AR-95A-15-HD, 16-HD	Adjustable	Contact NAI Service Engineering			
90519377	AR-95A-17-HD	Adjustable	16.50	15.50	18.75	N/A
90518714	AR-95A-9-HD, 12-HD	Adjustable	11.50	15.00	13.75	47.00 [21.32]
90519696	AR-95A-9, 12	Adjustable	1.505	10.00	13.50	29.10 [13.20]
-	ARU-92-7	Adjustable	Contact NAI Service Engineering			
90520346	ARU-92-8	Adjustable	7.25	10.00	9.50	21.40 [9.71]
90519710	ARU-92-9	Adjustable	8.25	10.00	10.50	23.80 [10.80]
90520395**	ARU-92-10	Adjustable	10.25	10.00	12.50	N/A
90520828	ARU-92-10	Adjustable	10.59	10.00	12.84	28.80 [13.06]
90519712	ARU-92-12	Adjustable	11.25	10.00	13.50	30.00 [13.61]

* For suspensions manufactured prior to January 1, 1996.

** For suspensions manufactured prior to February 1, 1996.

continued on next page

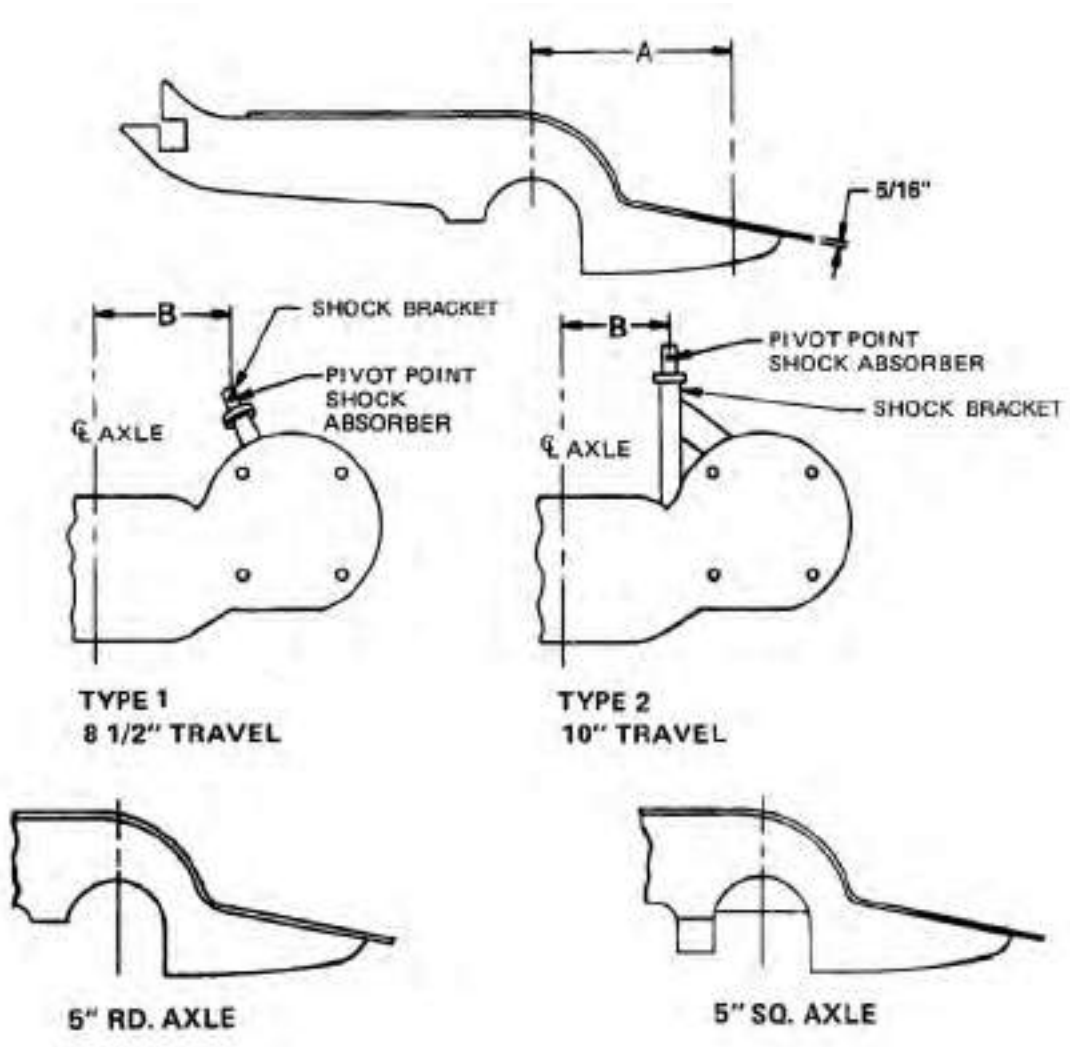


FRAME BRACKET PART NUMBER	TRAILER AIR MODEL	ALIGNMENT	A DIMENSION	B DIMENSION	C DIMENSION	WEIGHT LBS. [KG]
<i>Continued from previous page</i>						
90520219	ARU-93-6	Adjustable	6.00	9.56	8.25	15.00 [6.80]
90520346	ARU-93-7	Adjustable	7.25	10.00	9.50	21.40 [9.71]
90519710	ARU-93-8, 9	Adjustable	8.25	10.00	10.50	23.80 [10.80]
90520828	ARU-93-10	Adjustable	10.59	10.00	12.84	28.80 [13.06]
90520395**	ARU-93-10	Adjustable	10.25	10.00	12.50	N/A
90520385	ARU-93-14	Adjustable	12.50	10.00	14.75	32.30 [14.65]

* For suspensions manufactured prior to January 1, 1996.

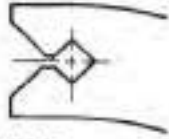
** For suspensions manufactured prior to February 1, 1996.

AR-120, AR-120-L, AR-125 & AR-125-L Series Equalizing Beam Identification

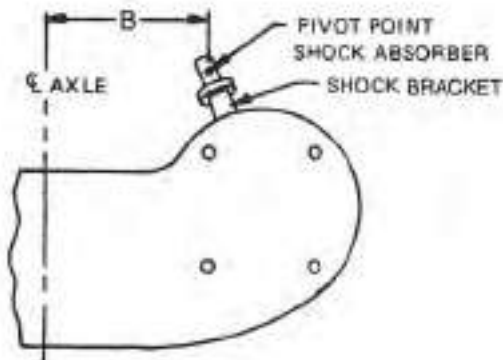
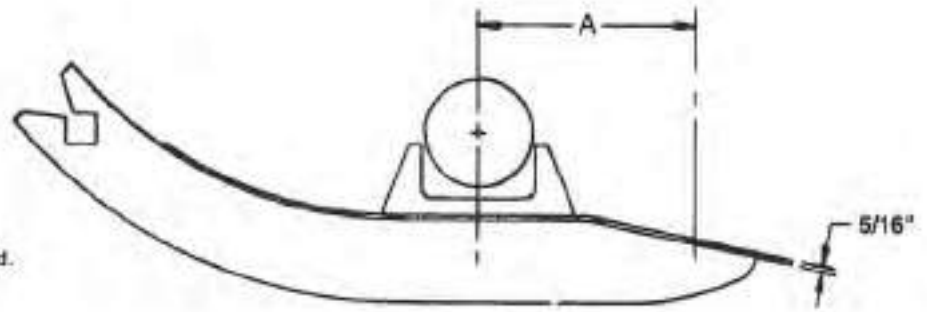


PART NUMBER	LEFT OF RIGHT HAND	A DIMENSION	B DIMENSION	SHOCK POSITION	AXLE CONNECTION	APPLICATION	WEIGHT LBS. [KG]
90515009	L	11"	7.75"	1	5 Rd	AR-120, 125	92.00 [41.73]
90515010	R	11"	7.75"	1	5 Rd	AR-120, 125	92.00 [41.73]
90515011	L	11"	6"	2	5 Rd	AR-120-L, 125-L	92.00 [41.73]
90515012	R	11"	6"	2	5 Rd	AR-120-L, 125-L	92.00 [41.73]
90515133	L	11"	6"	2	5 Sq	AR-120-L, 125-L	N/A
90515134	R	11"	6"	2	5 Sq	AR-120-L, 125-L	N/A
90515147	L	11"	7.75"	1	5 Sq	AR-120, 125	N/A
90515148	R	11"	7.75"	1	5 Sq	AR-120, 125	N/A

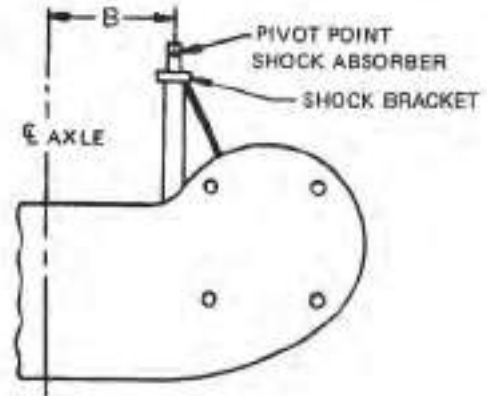
NOTE: Equalizing Beams do not include Beam Seat.



NOTE:
Diamond shaped torsion bar hole
(in yoke end of beams) type beams
are obsolete, both beams must be changed.



TYPE 1
8 1/2" TRAVEL
7 3/4" TRAVEL (F MODEL)

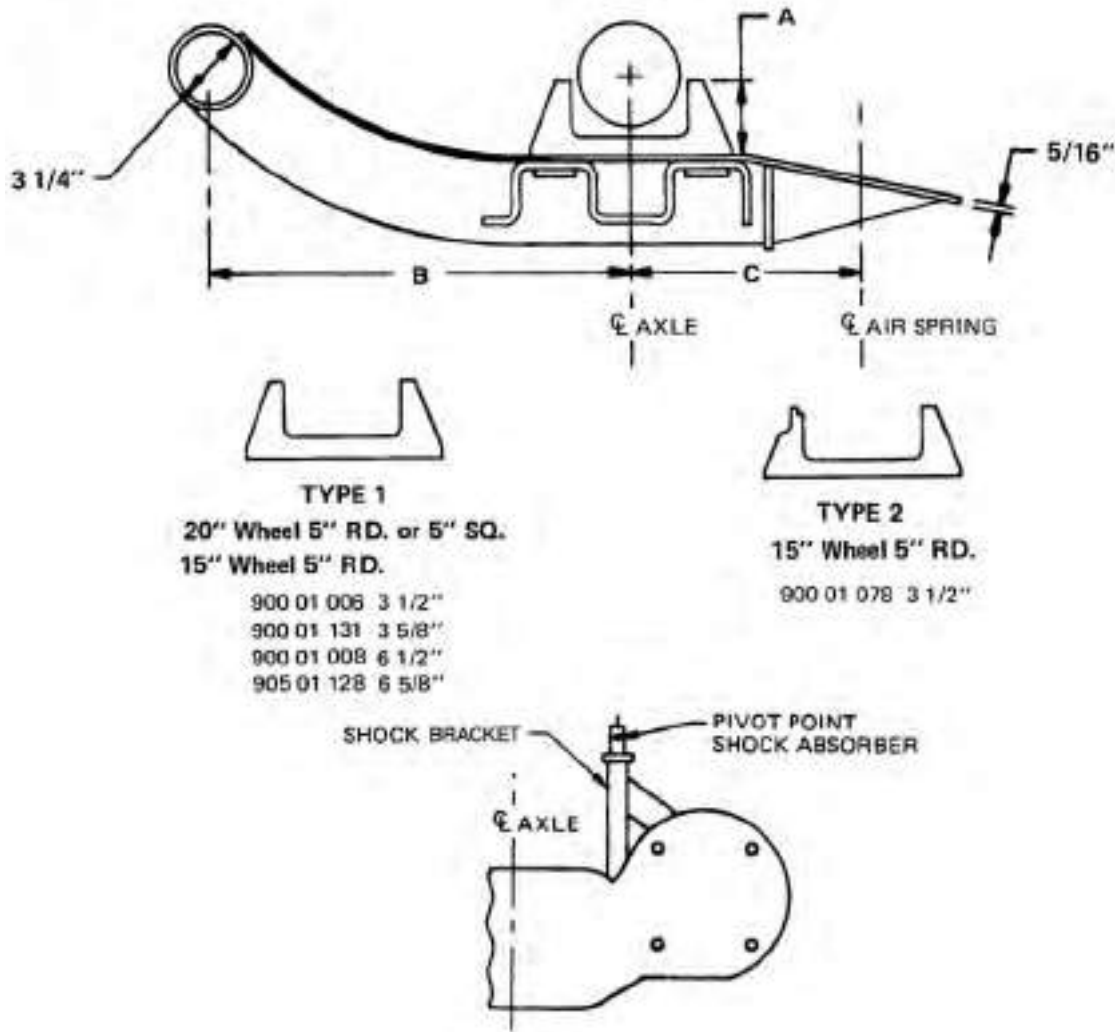


TYPE 2
10" TRAVEL

PART NUMBER	LEFT OF RIGHT HAND	A DIMENSION	B DIMENSION	SHOCK POSITION	AXLE CONNECTION	APPLICATION	WEIGHT LBS. [KG]
90515021	L	11.06"	6-.38"	2	5 Rd	AR-120/125-US-L	86.00 [39.01]
90515022	R	11.06"	6-.38"	2	5 Rd	AR-120/125-US-L	87.00 [39.46]
90515026	L	11.06"	8.25"	1	5 Rd	AR-120/125-US	76.00 [34.47]
90515027	R	11.06"	8.25"	1	5 Rd	AR-120/125-US	76.00 [34.47]
90515610	L	14-9/16"	11.75"	1	5 Sq	AR-120/125-US-F	80.60 [36.55]
90515611	R	14-9/16"	11.75"	1	5 Sq	AR-120/125-US-F	80.60 [36.55]

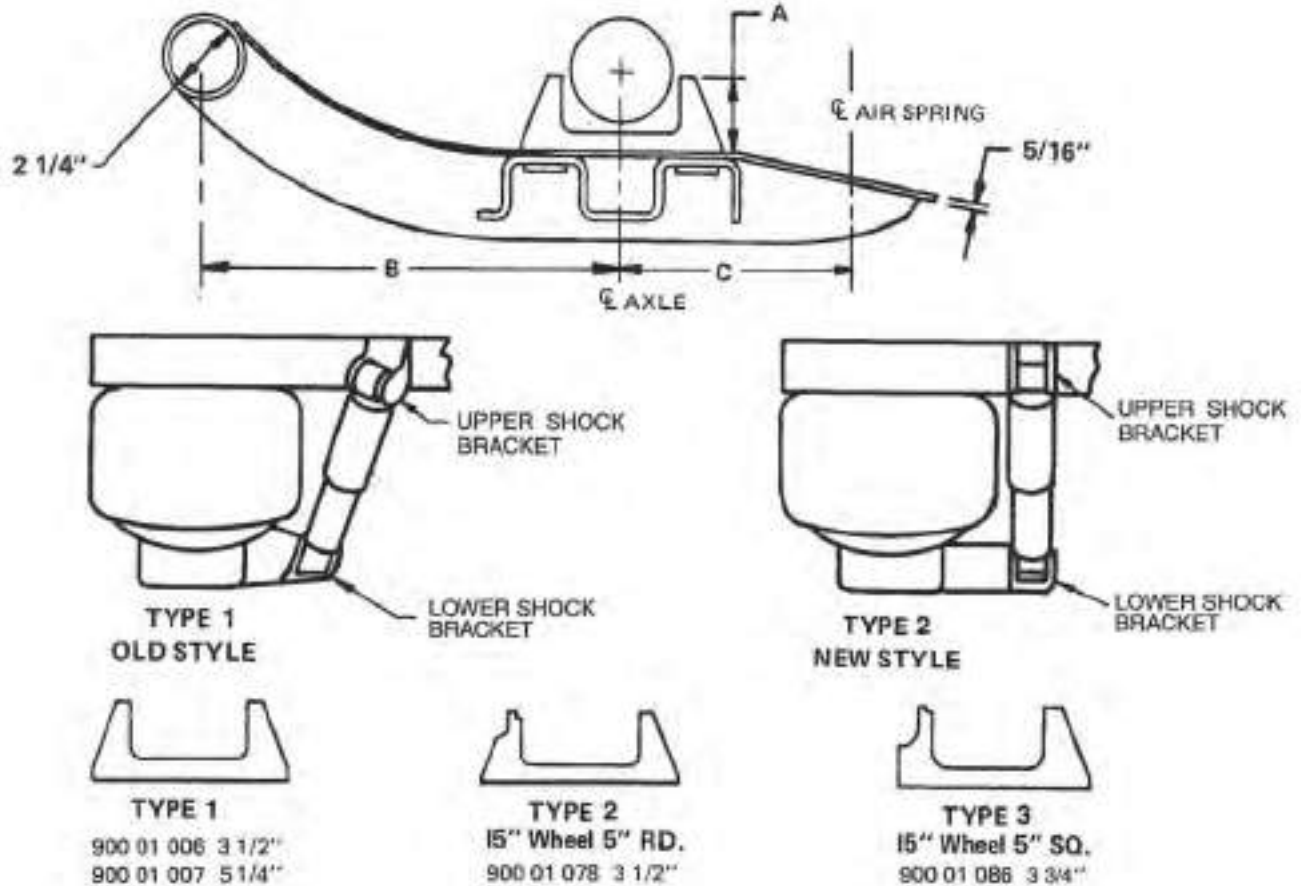
NOTE: Equalizing Beams do not include Beam Seat.

AR-41, AR-45, AR-45-1, AR-75, AR-80 & AR-85-A Series Equalizing Beam Identification



PART NUMBER	LEFT OF RIGHT HAND	A DIMENSION	B DIMENSION	C DIMENSION	BEAM SEAT	APPLICATION	WEIGHT LBS. [KG]
90515857	L	3.50"	19"	13.31"	1	AR-45, 45-1, 75, 75-1	96.00 [43.54]
90515858	R	3.50"	19"	13.31"	1	AR-45, 45-1, 75, 75-1	96.00 [43.54]
90515859	L	6.50"	19"	13.31"	1	AR-75	103.00 [46.72]
90515860	R	6.50"	19"	13.31"	1	AR-75	103.00 [46.72]
90515896	L	6.62"	19"	13.31"	1	AR-45, 75	104.00 [47.17]
90515897	R	6.62"	19"	13.31"	1	AR-45, 75	104.00 [47.17]
90515898	L	3.50"	19"	13.31"	2	AR-45, 75	92.00 [41.73]
90515899	R	3.50"	19"	13.31"	2	AR-45, 75	92.00 [41.73]
90516054	L	3.50"	15.25"	11.06"	1	AR-41	94.00 [42.64]
90516055	R	3.50"	15.25"	11.06"	1	AR-41	94.00 [42.64]
90516195	L	3.50"	19.50"	11.50"	1	AR-85-A	96.00 [43.54]
90516196	R	3.50"	19.50"	11.50"	1	AR-85-A	96.00 [43.54]
90516447	L	3.62"	19"	13.31"	1	AR-80	106.00 [48.08]
90516448	R	3.62"	19"	13.31"	1	AR-80	106.00 [48.08]
90516449	L	3.62"	19"	13.31"	1	AR-80	100.00 [45.36]
90516450	R	3.62"	19"	13.31"	1	AR-80	100.00 [45.36]

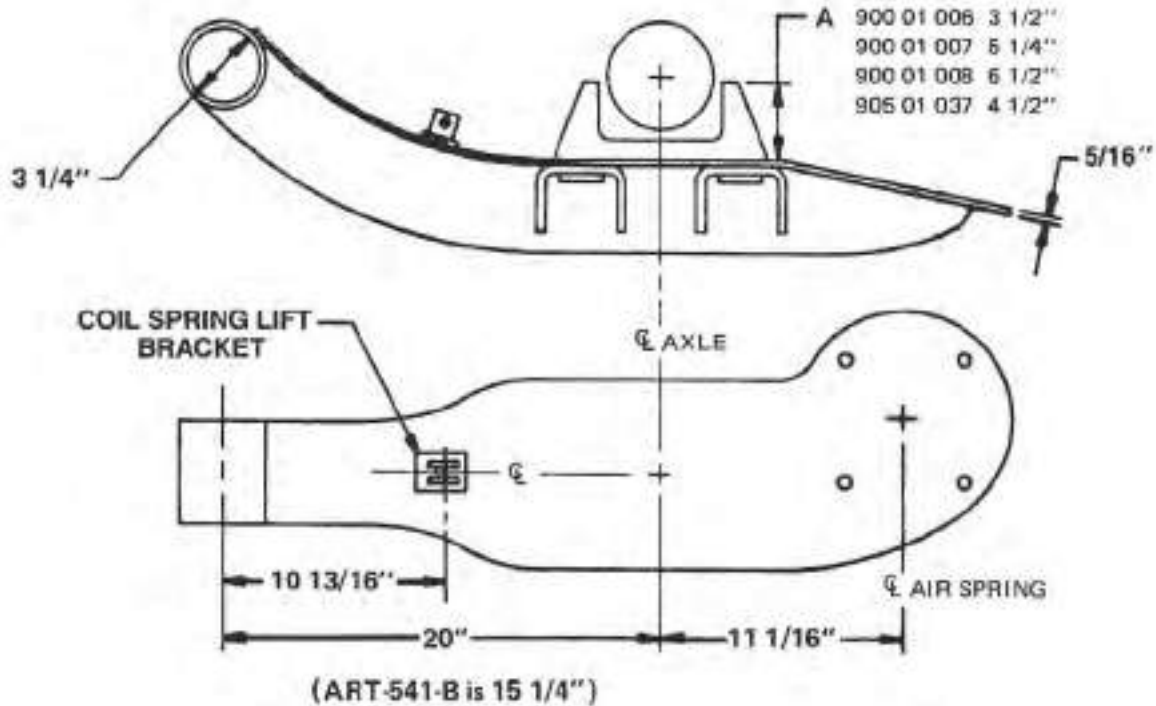
NOTE: Equalizing Beams do not include Beam Seat.



PART NUMBER	LEFT OF RIGHT HAND	A DIMENSION	B DIMENSION	C DIMENSION	SHOCK POSITION	BEAM SEAT	APPLICATION	WEIGHT LBS. [KG]
90515131	R	3.50"	19"	13.31"	1	1	AR-50-US-F	97.00 [44.00]
90515132	L	3.50"	19"	13.31"	1	1	AR-50-US-F	97.00 [44.00]
90515141	L	3.50"	19"	11.06"	1	1	AR-50-US	94.00 [42.64]
90515142	R	3.50"	19"	11.06"	1	1	AR-50-US	94.00 [42.64]
90515217	L	5.25"	19"	13.25"	2	1	AR-50-US	N/A
90515218	R	5.25"	19"	13.25"	2	1	AR-50-US	N/A
90516000	L	3.50"	19"	13.31"	2	1	AR-50-US-F	110.00 [49.90]
90516001	R	3.50"	19"	13.31"	2	1	AR-50-US-F	97.00 [44.00]
90516004	L	3.50"	19"	13.31"	2	2	AR-50-US-F	N/A
90516005	R	3.50"	19"	13.31"	2	2	AR-50-US-F	N/A
90516006	L	3.75"	19"	13.31"	2	3	AR-50-US-F	N/A
90516007	R	3.75"	19"	13.31"	2	3	AR-50-US-F	N/A
90516008	L	3.50"	19"	11.06"	2	1	AR-50-US	94.00 [42.64]
90516009	R	3.50"	19"	11.06"	2	1	AR-50-US	94.00 [42.64]
90516010	L	3.75"	19"	11.06"	2	3	AR-50-US	N/A
90516011	R	3.75"	19"	11.06"	2	3	AR-50-US	N/A

NOTE: Equalizing Beams do not include Beam Seat.

ART-500-B, ART-500-US-A, ART-505-B/C, ART-541-B, ART-551-B & ART-555-B/C Equalizing Beam Identification



PART NUMBER	LEFT OF RIGHT HAND	A DIMENSION	APPLICATION	WEIGHT LBS. [KG]
90515602*	L	5.25"	ART-555-B-1 SP	N/A
90515603*	R	5.25"	ART-555-B-1 SP	N/A
90516197	L	3.50"	ART-541-B	92.00 [41.73]
90516198	R	3.50"	ART-541-B	N/A
90516335*	L	3.50"	ART-505-B/C, 555-B/C-3	N/A
90516336*	R	3.50"	ART-505-B/C, 555-B/C-3	100.00 [45.36]
90516337*	L	4.50"	ART-505-B/C-1, 555-B/C-2	97.00 [44.00]
90516338*	R	4.50"	ART-505-B/C-1, 555-B/C-2	97.00 [44.00]
90516341*	L	6.50"	ART-555-B/C-1	110.00 [49.90]
90516342*	R	6.50"	ART-555-B/C-1	110.00 [49.90]
90516343	L	3.50"	ART-500-US-A, 500-B, 551-B-3	89.00 [40.37]
90516344	R	3.50"	ART-500-US-A, 500-B, 551-B-3	89.00 [40.37]
90516345	L	4.50"	ART-500-B-1, 551-B-2	96.00 [43.54]
90516346	R	4.50"	ART-500-B-1, 551-B-2	100.00 [45.36]
90516349	L	6.50"	ART-551-B-1	120.00 [54.43]
90516350	R	6.50"	ART-551-B-1	100.00 [45.36]

* Includes Coil Spring Lift Bracket.

NOTE: Equalizing Beams include Beam Seat.

pod[®] parts on demand

QUICK & EASY PARTS ONLINE 

SEARCH 

Parts Knowledge at the Tip of Your Finger



When it comes to parts, become your customers' go-to source with quick and accurate information just a click away.

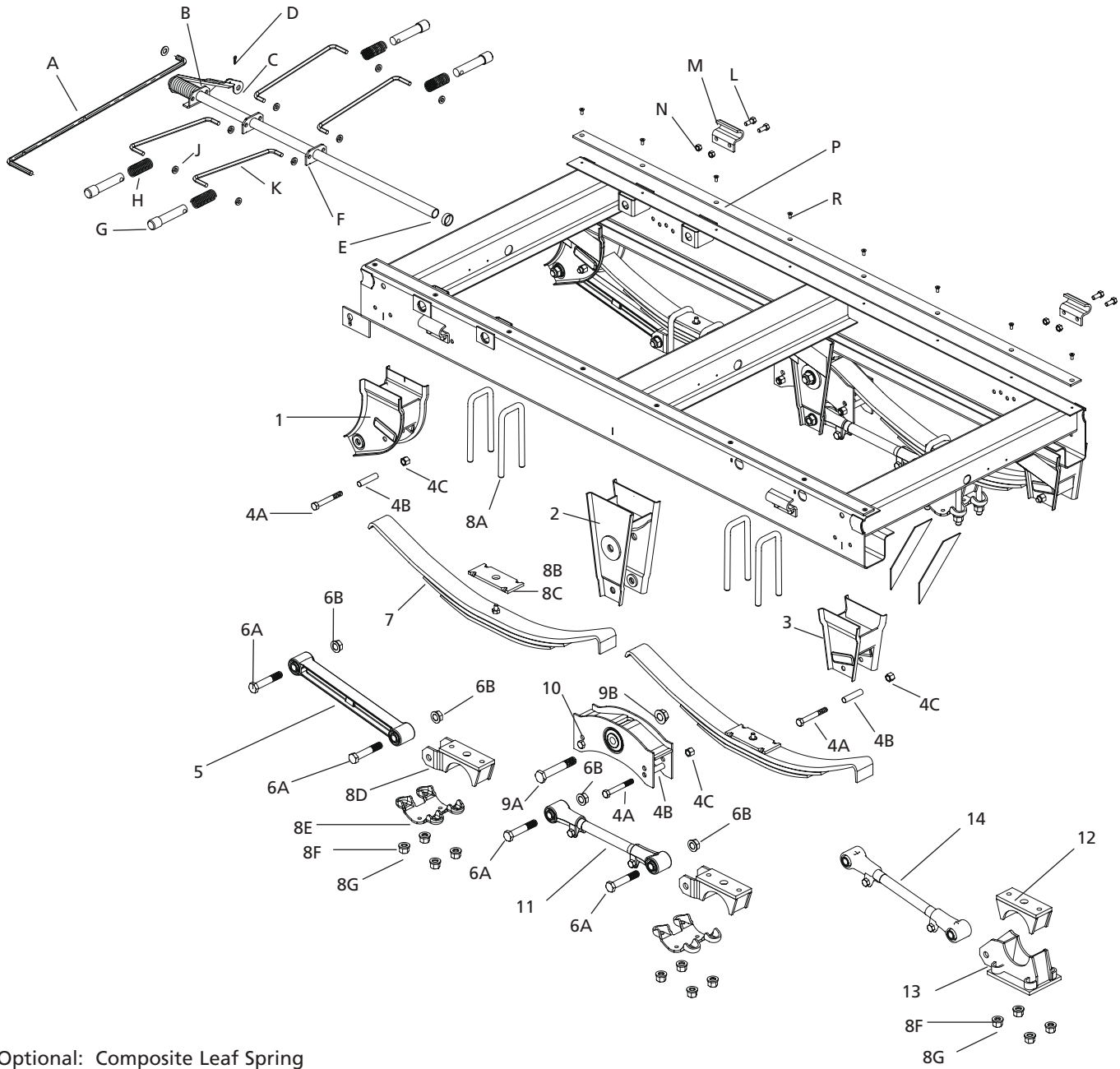
SAF 

Holland 

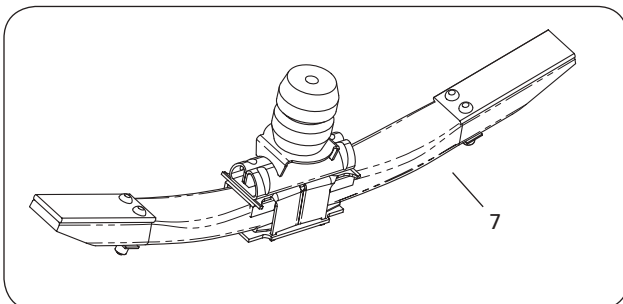
NEWAY 

Contact us at 800.876.3929 to learn more

ULX40 Mechanical Slider Exploded View



Optional: Composite Leaf Spring
Part #: SP0393



For clarity, duplicate U-bolt and adjustable torque arm connection components, among other components, are not identified.

Slider Box Components				
ITEM	DESCRIPTION	PART NUMBER	QTY.	WEIGHT LBS. [kg]
A	Pull Handle - 42.0"	SLOA1269-02	1	3.55 [1.61]
	Pull Handle - 48.0"	SLOA1269-01		3.81 [1.73]
	Pull Handle - 54.0"	SLOA1269-03		4.07 [1.85]
B	Center Pin Pull Assembly	SLOA1277-01	1	7.23 [3.28]
C	Retainer Washer	XB-PW-016-08	1	0.03 [0.01]
D	Cotter Pin 3/16" x 1-1/2"	XB-CTP-014-59	1	0.01 [0.005]
E	Spacer	SL0523-07	1	0.24 [0.11]
F	Torsion Cam	SLOA1274	2	0.37 [0.17]
G	Lock Pin, Hutch Style 1.63" Dia.	SLOA1261	4	2.15 [0.98]
	Lock Pin, All Others 1.38" Dia.	SLOA1238		1.92 [0.87]
H	Compression Spring	XB-SPG-020-35	4	0.25 [0.11]
J	Washer, .50" (Pin Pull Rod)	XB-PW-016-85	8	0.03 [0.01]
K	Pin Pull Rod - 42.0"	SLOA1239-01	4	0.97 [0.44]
	Pin Pull Rod - 48.0"	SLOA1239-02		1.23 [0.56]
	Pin Pull Rod - 54.0"	SLOA1239-03		1.39 [0.63]
L	Bolt, .50" - 13 x 1.25"	XB-HHC-001-33	8	0.11 [0.05]
M	Hold Down Clip	90015150	4	2.30 [1.04]
N	Lock Nut, .50" - 13	XB-SLN-012-42	8	0.03 [0.01]
P	Slider Pad 96.0" Long	XB-SLOA1054	2	1.58 [0.72]
R	Self Tap Screw .31" - 18 x .75"	XB-STS-008-16	16	0.02 [0.01]

Suspension Components				
ITEM	DESCRIPTION	PART NUMBER	QTY.	WEIGHT LBS. [kg]
1	Straddle Mount Front Hanger	SP0100	2	11.84 [5.37]
2	Straddle Mount Equalizer Hanger	SP0110	2	13.78 [6.25]
3	Straddle Mount Rear Hanger	SP0120	2	8.50 [3.86]
4A	Bolt .63" - 11 x 4.50" LG GR5	XB-SP0050-71	8	0.49 [0.22]
4B	Spacer .63"	XB-SP0145	8	0.10 [0.05]
4C	Lock Nut .63" - 11	XB-SP0012-10	1	0.07 [0.03]
5	Fixed Torque Arm with Bushings-Tandem Axle	SP0143	1	9.40 [4.26]
	Fixed Torque Arm with Bushings - No Hop		2	
6A	Bolt .88" - 14 x 4.75" LG GR 5	XB-SP0050-75	8	1.02 [0.46]
6b	Flange Lock Nut .88" - 14	XB-SP0012-36	8	0.22 [0.10]
7*	Spring Assembly	See Following Pages	4	N/A
8A	U-Bolt .75" Dia. - Tandem Axle	See Following Pages	8	N/A
	U-Bolt .75" Dia. - No-Hop		4	N/A
8A**	U-Bolt .75" Dia. - Rear Axle	See Following Pages	4	N/A
8B	Top Plate	SP0178	4	2.34 [1.06]
8C	Liner	SP0049	4	N/A
8D	Spring Seat Riser - Tandem Axle	See Following Pages	4	N/A
	Spring Seat Riser - No-Hop		2	N/A
8E	Bottom Plate - Tandem Axle	SP0099	4	3.76 [1.71]
	Bottom Plate - No-Hop		2	
8F	Hardened Washer .81" ID x 1.94" OD	XB-SP0016-67	16	0.06 [0.03]
8G	Hex Nut .75" - 16 GR 8	XB-SP0011-44	16	0.11 [0.05]
9A	Bolt 1.00" - 14 x 6.06" LG GR 5	XB-SP0050-73	2	1.61 [0.73]
9B	Flange Lock Nut 1.00" - 14	XB-SP0012-37	2	0.32 [0.15]
10	Equalizer with Bushings	SP0048	2	21.60 [9.80]
11	Adjustable Torque Arm with Bushings- Tandem	SP0123	2	10.20 [4.63]
	Adjustable Torque Arm with Bushings - No Hop		1	
12**	Spring Seat Riser - Rear Axle	See Following Pages	2	N/A
13**	No-Hop Bottom Plate - Rear Axle	SP0170	2	19.30 [8.75]
14**	Adjustable Torque Arm - Rear Axle	SP0169	2	14.03 [6.36]

* Spring assembly and spring liner (items 7 and 8C) are supplied by spring manufacturer.

** No Hop components.

ULX40 Mechanical Slider Parts List Continued

SINGLE LEAF SPRING TABLE										
#7 Spring	Mounting Height	#8A U-Bolt	#8D/#13* 0.75" Spring Seat Riser	#8D/#13* 1.25" Spring Seat Riser	#8D/#13* 1.75" Spring Seat Riser	#8D/#13* 2.25" Spring Seat Riser	#8D/#13* 2.75" Spring Seat Riser	#8D/#13* 3.25" Spring Seat Riser	#8D/#13* 3.75" Spring Seat Riser	#8D/#13* 4.25" Spring Seat Riser
SP0363	13.25"	XB-SP0074-G XB-SP0074-P*	SP0142-01 SP0172-01*	-	-	-	-	-	-	-
SP0363	13.75"	XB-SP0074-H XB-SP0074-R*	-	SP0142-02 SP0172-02*	-	-	-	-	-	-
SP0363	14.25"	XB-SP0074-J XB-SP0074-S*	-	-	SP0142-03 SP0172-03*	-	-	-	-	-
SP0363	14.75"	XB-SP0074-K XB-SP0074-T*	-	-	-	SP0149-04 SP0172-04*	-	-	-	-
SP0363	15.25"	XB-SP0074-L	-	-	-	-	SP0149-05	-	-	-
SP0360	15.50"	XB-SP0074-G XB-SP0074-P*	SP0142-01 SP0172-01*	-	-	-	-	-	-	-
SP0363	15.75"	XB-SP0074-M	-	-	-	-	-	SP0149-06	-	-
SP0360	16.00"	XB-SP0074-H XB-SP0074-R*	-	SP0142-02 SP0172-02*	-	-	-	-	-	-
SP0363	16.25"	XB-SP0074-P	-	-	-	-	-	-	SP0149-07	-
SP0360	16.50"	XB-SP0074-J XB-SP0074-S*	-	-	SP0142-03 SP0172-03*	-	-	-	-	-
SP0363	16.75"	XB-SP0074-R	-	-	-	-	-	-	-	SP0149-08
SP0360	17.00"	XB-SP0074-K XB-SP0074-T*	-	-	-	SP0149-04 SP0172-04*	-	-	-	-
SP0360	17.50"	XB-SP0074-L	-	-	-	-	SP0149-05	-	-	-
SP0360	18.00"	XB-SP0074-M	-	-	-	-	-	SP0149-06	-	-
SP0360	18.50"	XB-SP0074-P	-	-	-	-	-	-	SP0149-07	-
SP0360	19.00"	XB-SP0074-R	-	-	-	-	-	-	-	SP0149-08

* No Hop components, rear mount.

2-LEAF SPRING TABLE										
#7 Spring	Mounting Height	#8A U-Bolt	#8D/#13* 0.75" Spring Seat Riser	#8D/#13* 1.25" Spring Seat Riser	#8D/#13* 1.75" Spring Seat Riser	#8D/#13* 2.25" Spring Seat Riser	#8D/#13* 2.75" Spring Seat Riser	#8D/#13* 3.25" Spring Seat Riser	#8D/#13* 3.75" Spring Seat Riser	#8D/#13* 4.25" Spring Seat Riser
SP0326	13.25"	XB-SP0074-H XB-SP0074-R*	SP0142-01 SP0172-01*	-	-	-	-	-	-	-
SP0326	13.75"	XB-SP0074-J XB-SP0074-S*	-	SP0142-02 SP0172-02*	-	-	-	-	-	-
SP0325	14.00"	XB-SP0074-H XB-SP0074-R*	-	-	-	-	-	-	-	-
SP0326	14.25"	XB-SP0074-K XB-SP0074-T*	-	-	SP0142-03 SP0172-03*	-	-	-	-	-
SP0325	14.50"	XB-SP0074-J XB-SP0074-S*	-	-	-	-	-	-	-	-
SP0326	14.75"	XB-SP0074-L XB-SP0074-U*	-	-	-	SP0149-04 SP0172-04	-	-	-	-
SP0325	15.00"	XB-SP0074-K XB-SP0074-T*	-	-	-	-	-	-	-	-
SP0326	15.25"	XB-SP0074-M	-	-	-	-	SP0149-05	-	-	-
SP0324 SP0325	15.50"	XB-SP0074-H XB-SP0074-L XB-SP0074-R* XB-SP0074-U*	SP0142-01 SP0172-01*	-	-	SP0149-04 SP0172-04*	-	-	-	-
SP0326	15.75"	XB-SP0074-P	-	-	-	-	-	SP0149-06	-	-
SP0324 SP0325	16.00"	XB-SP0074-J XB-SP0074-M XB-SP0074-S*	-	SP0142-02 SP0172-02*	-	-	SP0149-05	-	-	-
SP0326	16.25"	XB-SP0074-R	-	-	-	-	-	-	SP0149-07	-
SP0324 SP0325	16.50"	XB-SP0074-K XB-SP0074-P XB-SP0074-T*	-	-	SP0142-03 SP0172-03*	-	-	SP0149-06	-	-
SP0326	16.75"	XB-SP0074-S	-	-	-	-	-	-	-	SP0149-08
SP0324 SP0325	17.00"	XB-SP0074-L XB-SP0074-R XB-SP0074-U*	-	-	-	SP0149-04 SP0172-04*	-	-	SP0149-07	-
SP0324 SP0325	17.50"	XB-SP0074-M XB-SP0074-S	-	-	-	-	SP0149-05	-	-	SP0149-08
SP0324	18.00"	XB-SP0074-P	-	-	-	-	-	SP0149-06	-	-
SP0324	18.50"	XB-SP0074-R	-	-	-	-	-	-	SP0149-07	-
SP0324	19.00"	XB-SP0074-S	-	-	-	-	-	-	-	SP0149-08

* No Hop components, rear mount.

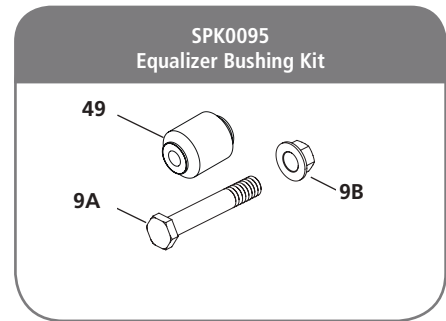
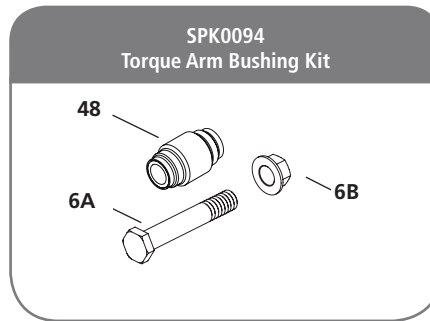
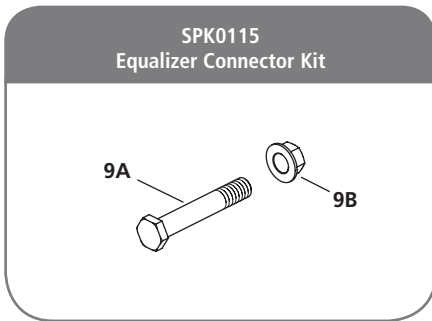
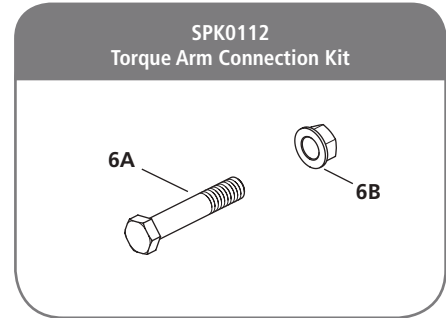
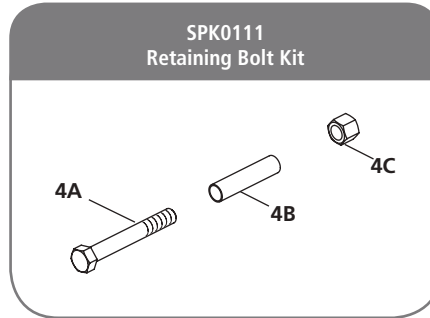
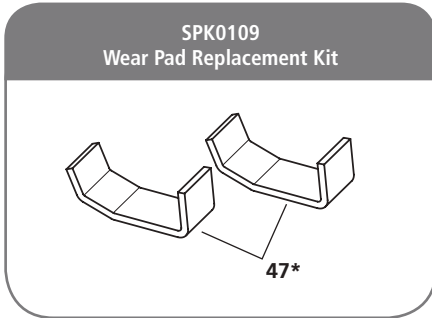
3-LEAF SPRING TABLE										
#7 Spring	Mounting Height	#8A U-Bolt	#8D/#13* 0.75" Spring Seat Riser	#8D/#13* 1.25" Spring Seat Riser	#8D/#13* 1.75" Spring Seat Riser	#8D/#13* 2.25" Spring Seat Riser	#8D/#13* 2.75" Spring Seat Riser	#8D/#13* 3.25" Spring Seat Riser	#8D/#13* 3.75" Spring Seat Riser	#8D/#13* 4.25" Spring Seat Riser
SP0356	13.25"	XB-SP0074-H XB-SP0074-S*	SP0142-01 SP0172-01*	-	-	-	-	-	-	-
SP0356	13.75"	XB-SP0074-J XB-SP0074-T*	-	SP0142-02 SP0172-02*	-	-	-	-	-	-
SP0355	14.00"	XB-SP0074-J XB-SP0074-S*	SP0142-01 SP0172-01*	-	-	-	-	-	-	-
SP0356	14.25"	XB-SP0074-K XB-SP0074-U*	-	-	SP0142-03 SP0172-03*	-	-	-	-	-
SP0355	14.50"	XB-SP0074-K XB-SP0074-T*	-	SP0142-02 SP0172-02*	-	-	-	-	-	-
SP0356	14.75"	XB-SP0074-L XB-SP0074-V*	-	-	-	SP0149-04 SP0172-04*	-	-	-	-
SP0355	15.00"	XB-SP0074-L XB-SP0074-U*	SP0142-01 SP0172-01*	-	SP0142-03 SP0172-03*	-	-	-	-	-
SP0356	15.25"	XB-SP0074-P	-	-	-	-	SP0149-05	-	-	-
SP0354 SP0355	15.50"	XB-SP0074-J XB-SP0074-M XB-SP0074-S* XB-SP0074-V*	-	-	-	SP0149-04 SP0172-04*	-	-	-	-
SP0356	15.75"	XB-SP0074-R	-	-	-	-	-	SP0149-06	-	-
SP0354 SP0355	16.00"	XB-SP0074-K XB-SP0074-P XB-SP0074-T*	-	SP0142-02 SP0172-02*	-	-	SP0149-05	-	-	-
SP0356	16.25"	XB-SP0074-S	-	-	-	-	-	-	SP0149-07	-
SP0354 SP0355	16.50"	XB-SP0074-L XB-SP0074-R XB-SP0074-U*	-	-	SP0142-03 SP0172-03*	-	-	SP0149-06	-	-
SP0356	16.75"	XB-SP0074-T	-	-	-	-	-	-	-	SP0149-08
SP0354 SP0355	17.00"	XB-SP0074-M XB-SP0074-S XB-SP0074-V*	-	-	-	SP0149-04 SP0172-04*	-	-	SP0149-07	-
SP0354 SP0355	17.50"	XB-SP0074-P XB-SP0074-T	-	-	-	-	SP0149-05	-	-	SP0149-08
SP0354	18.00"	XB-SP0074-R	-	-	-	-	-	SP0149-06	-	-
SP0354	18.50"	XB-SP0074-S	-	-	-	-	-	-	SP0149-07	-
SP0354	19.00"	XB-SP0074-T	-	-	-	-	-	-	-	SP0149-08

* No Hop components, rear mount.

HEAVY DUTY 3-LEAF SPRING TABLE										
#7 Spring	Mounting Height	#8A U-Bolt	#8D/#13* 0.75" Spring Seat Riser	#8D/#13* 1.25" Spring Seat Riser	#8D/#13* 1.75" Spring Seat Riser	#8D/#13* 2.25" Spring Seat Riser	#8D/#13* 2.75" Spring Seat Riser	#8D/#13* 3.25" Spring Seat Riser	#8D/#13* 3.75" Spring Seat Riser	#8D/#13* 4.25" Spring Seat Riser
SP0365-01	13.25"	XB-SP0074-K XB-SP0074-T*	SP0142-01 SP0172-01*	-	-	-	-	-	-	-
SP0365-01	13.75"	XB-SP0074-L XB-SP0074-U*	-	SP0142-02 SP0172-02*	-	-	-	-	-	-
SP0365-01	14.25"	XB-SP0074-M XB-SP0074-V*	-	-	SP0142-03 SP0172-03*	-	-	-	-	-
SP0365-01	14.75"	XB-SP0074-P XB-SP0074-W*	-	-	-	SP0149-04 SP0172-04*	-	-	-	-
SP0365-01	15.25"	XB-SP0074-R	-	-	-	-	SP0149-05	-	-	-
SP0365	15.50"	XB-SP0074-K XB-SP0074-T*	SP0142-01 SP0172-01*	-	-	-	-	-	-	-
SP0365-01	15.75"	XB-SP0074-S	-	-	-	-	-	SP0149-06	-	-
SP0365	16.00"	XB-SP0074-L XB-SP0074-U*	-	SP0142-02 SP0172-02*	-	-	-	-	-	-
SP0365-01	16.25"	XB-SP0074-T	-	-	-	-	-	-	SP0149-07	-
SP0365	16.50"	XB-SP0074-M XB-SP0074-V*	-	-	SP0142-03 SP0172-03*	-	-	-	-	-
SP0365-01	16.75"	XB-SP0074-U	-	-	-	-	-	-	-	SP0149-08
SP0365	17.00"	XB-SP0074-P XB-SP0074-W*	-	-	-	SP0149-04 SP0172-04*	-	-	-	-
SP0365	17.50"	XB-SP0074-R	-	-	-	-	SP0149-05	-	-	-
SP0365	18.00"	XB-SP0074-S	-	-	-	-	-	SP0149-06	-	-
SP0365	18.50"	XB-SP0074-T	-	-	-	-	-	-	SP0149-07	-
SP0365	19.00"	XB-SP0074-U	-	-	-	-	-	-	-	SP0149-08

* No Hop components, rear mount.

ULX40 Mechanical Slider Replacement Kit

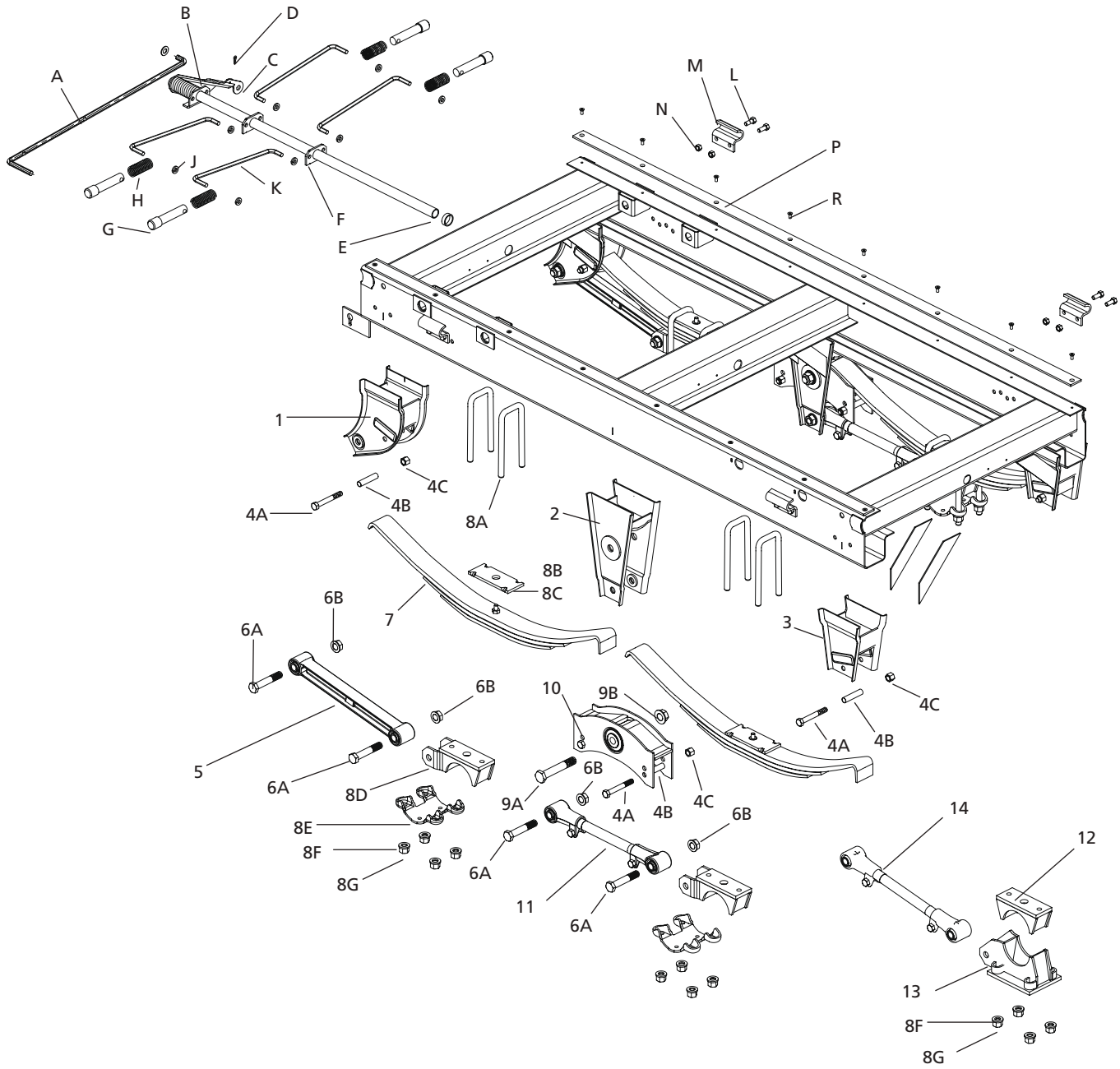


ITEM	DESCRIPTION	PART NUMBER	QTY.	WEIGHT LBS. [kg]
4A	Screw, Hex Cap GR-5 5/8-11 Plain	XB-SP0050-71	1	0.49 [0.22]
4B	Sleeve, Spacer	XB-SP0145	1	0.10 [0.05]
4C	Nut, Prev Torque 5/8-11 GR-B PLN&WAX	XB-SP0012-10	1	0.07 [0.03]
6A	Screw, Hex Cap GR-5 7/8-14X4.81 CL 2A PLN	XB-SP0050-75	1	1.02 [0.46]
6B	Nut, Prev Torq 7/8-14 GR-F CL 2B PHS&OL	XB-SP0012-36	1	0.22 [0.10]
9A	Screw, Hex Cap GR-5 1-14X6.06 CL 2A PLN	XB-SP0050-73	1	1.61 [0.73]
9B	Nut, Prev Torq 1-14 GR-F CL 2B PHS&OL	XB-SP0012-37	1	0.32 [0.15]
47*	Pad, Field Replacement	SP0334	2	2.84 [1.29]
48	Bushing, Torque Arm	XB-SP0054-02	1	0.57 [0.26]
49	Bushing, Equalizer	XB-SP0054-05	1	3.20 [1.45]

* Kit contains components for replacement of roadside and curbside rear or front hangers wear pad.
(Not used on under mount front hangers.)

THIS PAGE INTENTIONALLY LEFT BLANK

UltraLite2 Exploded View



For clarity, duplicate U-bolt and adjustable torque arm connection components, among other components, are not identified.

Slider Box Components				
ITEM	DESCRIPTION	PART NUMBER	QTY.	WEIGHT LBS. [kg]
A	Pull Handle - 42.0"	SLOA1269-02	1	3.55 [1.61]
	Pull Handle - 48.0"	SLOA1269-01		3.81 [1.73]
	Pull Handle - 54.0"	SLOA1269-03		4.07 [1.85]
B	Center Pin Pull Assembly	SLOA1277-01	1	7.23 [3.28]
C	Retainer Washer	XB-PW-016-08	1	0.03 [0.01]
D	Cotter Pin 3/16" x 1-1/2"	XB-CTP-014-59	1	0.01 [0.005]
E	Spacer	SL0523-07	1	0.24 [0.11]
F	Torsion Cam	SLOA1274	2	0.37 [0.17]
G	Lock Pin, Hutch Style 1.63" Dia.	SLOA1261	4	2.15 [0.98]
	Lock Pin, All Others 1.38" Dia.	SLOA1238		1.92 [0.87]
H	Compression Spring	XB-SPG-020-35	4	0.25 [0.11]
J	Washer, .50" (Pin Pull Rod)	XB-PW-016-85	8	0.03 [0.01]
K	Pin Pull Rod - 42.0"	SLOA1239-01	4	0.97 [0.44]
	Pin Pull Rod - 48.0"	SLOA1239-02		1.23 [0.56]
	Pin Pull Rod - 54.0"	SLOA1239-03		1.39 [0.63]
L	Bolt, .50" - 13 x 1.25"	XB-HHC-001-33	8	0.11 [0.05]
M	Hold Down Clip	90015150	4	2.30 [1.04]
N	Lock Nut, .50" - 13	XB-SLN-012-42	8	0.03 [0.01]
P	Slider Pad 96.0" Long	XB-SLOA1054	2	1.60 [0.73]
R	Self Tap Screw .31" - 18 x .75"	XB-STS-008-16	16	0.02 [0.01]

Suspension Components				
ITEM	DESCRIPTION	PART NUMBER	QTY.	WEIGHT LBS. [kg]
1	Straddle Mount Front Hanger	SP0100	2	11.84 [5.37]
2	Straddle Mount Equalizer Hanger	SP0110	2	13.78 [6.25]
3	Straddle Mount Rear Hanger	SP0120	2	8.50 [3.86]
4A	Bolt .63" - 11 x 4.50" LG GR5	XB-SP0050-71	8	0.49 [0.22]
4B	Spacer .63"	XB-SP0145	8	0.10 [0.05]
4C	Lock Nut .63" - 11	XB-SP0012-10	1	0.07 [0.03]
5	Fixed Torque Arm with Bushings-Tandem Axle	SP0143	1	9.40 [4.26]
	Fixed Torque Arm with Bushings - No Hop		2	
6A	Bolt .88" - 14 x 4.75" LG GR 5	XB-SP0050-75	8	1.02 [0.46]
6b	Flange Lock Nut .88" - 14	XB-SP0012-36	8	0.22 [0.10]
7*	Spring Assembly	See Following Pages	4	N/A
8A	U-Bolt .75" Dia. - Tandem Axle	See Following Pages	8	N/A
	U-Bolt .75" Dia. - No-Hop		4	N/A
8A**	U-Bolt .75" Dia. - Rear Axle	See Following Pages	4	N/A
8B	Top Plate	SP0178	4	2.34 [1.06]
8C	Liner	SP0049	4	N/A
8D	Spring Seat Riser - Tandem Axle	See Following Pages	4	N/A
	Spring Seat Riser - No-Hop		2	N/A
8E	Bottom Plate - Tandem Axle	SP0099	4	3.76 [1.71]
	Bottom Plate - No-Hop		2	
8F	Hardened Washer .81" ID x 1.94" OD	XB-SP0016-67	16	0.06 [0.03]
8G	Hex Nut .75" - 16 GR 8	XB-SP0011-44	16	0.11 [0.05]
9A	Bolt 1.00" - 14 x 6.06" LG GR 5	XB-SP0050-73	2	1.61 [0.73]
9B	Flange Lock Nut 1.00" - 14	XB-SP0012-37	2	0.32 [0.15]
10	Equalizer with Bushings	SP0131	2	21.60 [9.80]
11	Adjustable Torque Arm with Bushings- Tandem	SP0123	2	10.20 [4.63]
	Adjustable Torque Arm with Bushings - No Hop		1	
12**	Spring Seat Riser - Rear Axle	See Following Pages	2	N/A
13**	No-Hop Bottom Plate - Rear Axle	SP0170	2	19.30 [8.75]
14**	Adjustable Torque Arm - Rear Axle	SP0169	2	14.03 [6.36]

* Spring assembly and spring liner (items 7 and 8C) are supplied by spring manufacturer.

** No Hop components.

SINGLE LEAF SPRING TABLE										
#7 Spring	Mounting Height	#8A U-Bolt	#8D/#13* 0.75" Spring Seat Riser	#8D/#13* 1.25" Spring Seat Riser	#8D/#13* 1.75" Spring Seat Riser	#8D/#13* 2.25" Spring Seat Riser	#8D/#13* 2.75" Spring Seat Riser	#8D/#13* 3.25" Spring Seat Riser	#8D/#13* 3.75" Spring Seat Riser	#8D/#13* 4.25" Spring Seat Riser
SP0363	13.25"	XB-SP0074-G XB-SP0074-P*	SP0142-01 SP0172-01*	-	-	-	-	-	-	-
SP0363	13.75"	XB-SP0074-H XB-SP0074-R*	-	SP0142-02 SP0172-02*	-	-	-	-	-	-
SP0363	14.25"	XB-SP0074-J XB-SP0074-S*	-	-	SP0142-03 SP0172-03*	-	-	-	-	-
SP0363	14.75"	XB-SP0074-K XB-SP0074-T*	-	-	-	SP0149-04 SP0172-04*	-	-	-	-
SP0363	15.25"	XB-SP0074-L	-	-	-	-	SP0149-05	-	-	-
SP0360	15.50"	XB-SP0074-G XB-SP0074-P*	SP0142-01 SP0172-01*	-	-	-	-	-	-	-
SP0363	15.75"	XB-SP0074-M	-	-	-	-	-	SP0149-06	-	-
SP0360	16.00"	XB-SP0074-H XB-SP0074-R*	-	SP0142-02 SP0172-02*	-	-	-	-	-	-
SP0363	16.25"	XB-SP0074-P	-	-	-	-	-	-	SP0149-07	-
SP0360	16.50"	XB-SP0074-J XB-SP0074-S*	-	-	SP0142-03 SP0172-03*	-	-	-	-	-
SP0363	16.75"	XB-SP0074-R	-	-	-	-	-	-	-	SP0149-08
SP0360	17.00"	XB-SP0074-K XB-SP0074-T*	-	-	-	SP0149-04 SP0172-04*	-	-	-	-
SP0360	17.50"	XB-SP0074-L	-	-	-	-	SP0149-05	-	-	-
SP0360	18.00"	XB-SP0074-M	-	-	-	-	-	SP0149-06	-	-
SP0360	18.50"	XB-SP0074-P	-	-	-	-	-	-	SP0149-07	-
SP0360	19.00"	XB-SP0074-R	-	-	-	-	-	-	-	SP0149-08

* No Hop components, rear mount.

2-LEAF SPRING TABLE										
#7 Spring	Mounting Height	#8A U-Bolt	#8D/#13* 0.75" Spring Seat Riser	#8D/#13* 1.25" Spring Seat Riser	#8D/#13* 1.75" Spring Seat Riser	#8D/#13* 2.25" Spring Seat Riser	#8D/#13* 2.75" Spring Seat Riser	#8D/#13* 3.25" Spring Seat Riser	#8D/#13* 3.75" Spring Seat Riser	#8D/#13* 4.25" Spring Seat Riser
SP0326	13.25"	XB-SP0074-H XB-SP0074-R*	SP0142-01 SP0172-01*	-	-	-	-	-	-	-
SP0326	13.75"	XB-SP0074-J XB-SP0074-S*	-	SP0142-02 SP0172-02*	-	-	-	-	-	-
SP0325	14.00"	XB-SP0074-H XB-SP0074-R*	-	-	-	-	-	-	-	-
SP0326	14.25"	XB-SP0074-K XB-SP0074-T*	-	-	SP0142-03 SP0172-03*	-	-	-	-	-
SP0325	14.50"	XB-SP0074-J XB-SP0074-S*	-	-	-	-	-	-	-	-
SP0326	14.75"	XB-SP0074-L XB-SP0074-U*	-	-	-	SP0149-04 SP0172-04	-	-	-	-
SP0325	15.00"	XB-SP0074-K XB-SP0074-T*	-	-	-	-	-	-	-	-
SP0326	15.25"	XB-SP0074-M	-	-	-	-	SP0149-05	-	-	-
SP0324 SP0325	15.50"	XB-SP0074-H XB-SP0074-L XB-SP0074-R* XB-SP0074-U*	SP0142-01 SP0172-01*	-	-	SP0149-04 SP0172-04*	-	-	-	-
SP0326	15.75"	XB-SP0074-P	-	-	-	-	-	SP0149-06	-	-
SP0324 SP0325	16.00"	XB-SP0074-J XB-SP0074-M XB-SP0074-S*	-	SP0142-02 SP0172-02*	-	-	SP0149-05	-	-	-
SP0326	16.25"	XB-SP0074-R	-	-	-	-	-	-	SP0149-07	-
SP0324 SP0325	16.50"	XB-SP0074-K XB-SP0074-P XB-SP0074-T*	-	-	SP0142-03 SP0172-03*	-	-	SP0149-06	-	-
SP0326	16.75"	XB-SP0074-S	-	-	-	-	-	-	-	SP0149-08
SP0324 SP0325	17.00"	XB-SP0074-L XB-SP0074-R XB-SP0074-U*	-	-	-	SP0149-04 SP0172-04*	-	-	SP0149-07	-
SP0324 SP0325	17.50"	XB-SP0074-M XB-SP0074-S	-	-	-	-	SP0149-05	-	-	SP0149-08
SP0324	18.00"	XB-SP0074-P	-	-	-	-	-	SP0149-06	-	-
SP0324	18.50"	XB-SP0074-R	-	-	-	-	-	-	SP0149-07	-
SP0324	19.00"	XB-SP0074-S	-	-	-	-	-	-	-	SP0149-08

* No Hop components, rear mount.

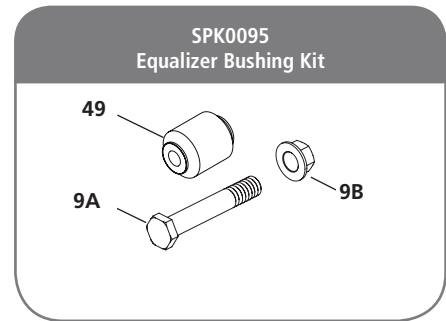
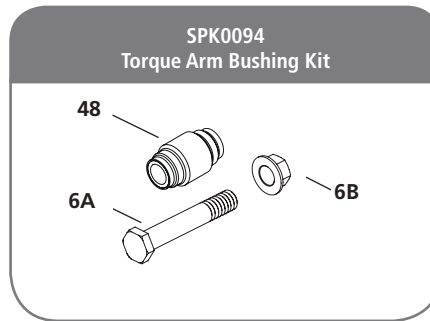
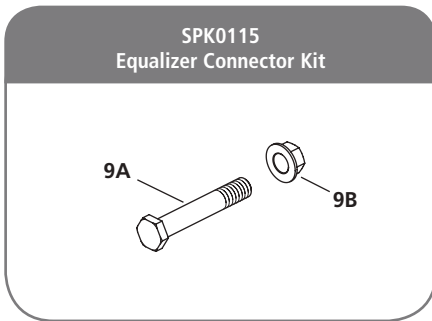
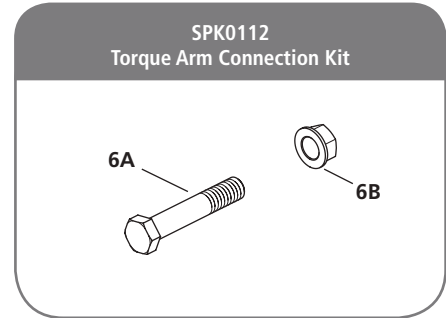
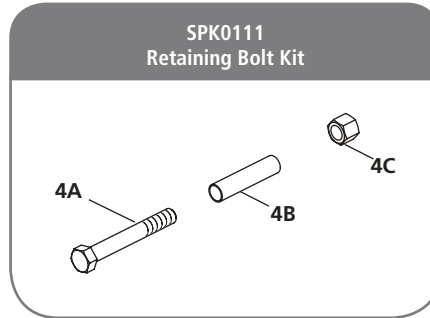
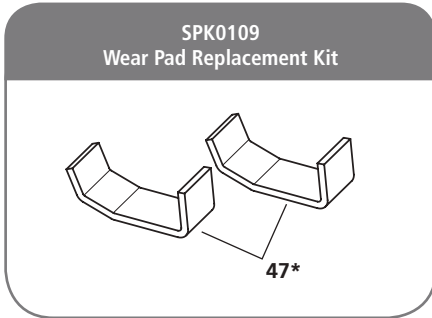
3-LEAF SPRING TABLE										
#7 Spring	Mounting Height	#8A U-Bolt	#8D/#13* 0.75" Spring Seat Riser	#8D/#13* 1.25" Spring Seat Riser	#8D/#13* 1.75" Spring Seat Riser	#8D/#13* 2.25" Spring Seat Riser	#8D/#13* 2.75" Spring Seat Riser	#8D/#13* 3.25" Spring Seat Riser	#8D/#13* 3.75" Spring Seat Riser	#8D/#13* 4.25" Spring Seat Riser
SP0356	13.25"	XB-SP0074-H XB-SP0074-S*	SP0142-01 SP0172-01*	-	-	-	-	-	-	-
SP0356	13.75"	XB-SP0074-J XB-SP0074-T*	-	SP0142-02 SP0172-02*	-	-	-	-	-	-
SP0355	14.00"	XB-SP0074-J XB-SP0074-S*	SP0142-01 SP0172-01*	-	-	-	-	-	-	-
SP0356	14.25"	XB-SP0074-K XB-SP0074-U*	-	-	SP0142-03 SP0172-03*	-	-	-	-	-
SP0355	14.50"	XB-SP0074-K XB-SP0074-T*	-	SP0142-02 SP0172-02*	-	-	-	-	-	-
SP0356	14.75"	XB-SP0074-L XB-SP0074-V*	-	-	-	SP0149-04 SP0172-04*	-	-	-	-
SP0355	15.00"	XB-SP0074-L XB-SP0074-U*	SP0142-01 SP0172-01*	-	SP0142-03 SP0172-03*	-	-	-	-	-
SP0356	15.25"	XB-SP0074-P	-	-	-	-	SP0149-05	-	-	-
SP0354 SP0355	15.50"	XB-SP0074-J XB-SP0074-M XB-SP0074-S* XB-SP0074-V*	-	-	-	SP0149-04 SP0172-04*	-	-	-	-
SP0356	15.75"	XB-SP0074-R	-	-	-	-	-	SP0149-06	-	-
SP0354 SP0355	16.00"	XB-SP0074-K XB-SP0074-P XB-SP0074-T*	-	SP0142-02 SP0172-02*	-	-	SP0149-05	-	-	-
SP0356	16.25"	XB-SP0074-S	-	-	-	-	-	-	SP0149-07	-
SP0354 SP0355	16.50"	XB-SP0074-L XB-SP0074-R XB-SP0074-U*	-	-	SP0142-03 SP0172-03*	-	-	SP0149-06	-	-
SP0356	16.75"	XB-SP0074-T	-	-	-	-	-	-	-	SP0149-08
SP0354 SP0355	17.00"	XB-SP0074-M XB-SP0074-S XB-SP0074-V*	-	-	-	SP0149-04 SP0172-04*	-	-	SP0149-07	-
SP0354 SP0355	17.50"	XB-SP0074-P XB-SP0074-T	-	-	-	-	SP0149-05	-	-	SP0149-08
SP0354	18.00"	XB-SP0074-R	-	-	-	-	-	SP0149-06	-	-
SP0354	18.50"	XB-SP0074-S	-	-	-	-	-	-	SP0149-07	-
SP0354	19.00"	XB-SP0074-T	-	-	-	-	-	-	-	SP0149-08

* No Hop components, rear mount.

HEAVY DUTY 3-LEAF SPRING TABLE										
#7 Spring	Mounting Height	#8A U-Bolt	#8D/#13* 0.75" Spring Seat Riser	#8D/#13* 1.25" Spring Seat Riser	#8D/#13* 1.75" Spring Seat Riser	#8D/#13* 2.25" Spring Seat Riser	#8D/#13* 2.75" Spring Seat Riser	#8D/#13* 3.25" Spring Seat Riser	#8D/#13* 3.75" Spring Seat Riser	#8D/#13* 4.25" Spring Seat Riser
SP0365-01	13.25"	XB-SP0074-K XB-SP0074-T*	SP0142-01 SP0172-01*	-	-	-	-	-	-	-
SP0365-01	13.75"	XB-SP0074-L XB-SP0074-U*	-	SP0142-02 SP0172-02*	-	-	-	-	-	-
SP0365-01	14.25"	XB-SP0074-M XB-SP0074-V*	-	-	SP0142-03 SP0172-03*	-	-	-	-	-
SP0365-01	14.75"	XB-SP0074-P XB-SP0074-W*	-	-	-	SP0149-04 SP0172-04*	-	-	-	-
SP0365-01	15.25"	XB-SP0074-R	-	-	-	-	SP0149-05	-	-	-
SP0365	15.50"	XB-SP0074-K XB-SP0074-T*	SP0142-01 SP0172-01*	-	-	-	-	-	-	-
SP0365-01	15.75"	SP0074-S	-	-	-	-	-	SP0149-06	-	-
SP0365	16.00"	XB-SP0074-L SP0074-U*	-	SP0142-02 SP0172-02*	-	-	-	-	-	-
SP0365-01	16.25"	XB-SP0074-T	-	-	-	-	-	-	SP0149-07	-
SP0365	16.50"	XB-SP0074-M XB-SP0074-V*	-	-	SP0142-03 SP0172-03*	-	-	-	-	-
SP0365-01	16.75"	XB-SP0074-U	-	-	-	-	-	-	-	SP0149-08
SP0365	17.00"	XB-SP0074-P XB-SP0074-W*	-	-	-	SP0149-04 SP0172-04*	-	-	-	-
SP0365	17.50"	XB-SP0074-R	-	-	-	-	SP0149-05	-	-	-
SP0365	18.00"	XB-SP0074-S	-	-	-	-	-	SP0149-06	-	-
SP0365	18.50"	XB-SP0074-T	-	-	-	-	-	-	SP0149-07	-
SP0365	19.00"	XB-SP0074-U	-	-	-	-	-	-	-	SP0149-08

* No Hop components, rear mount.

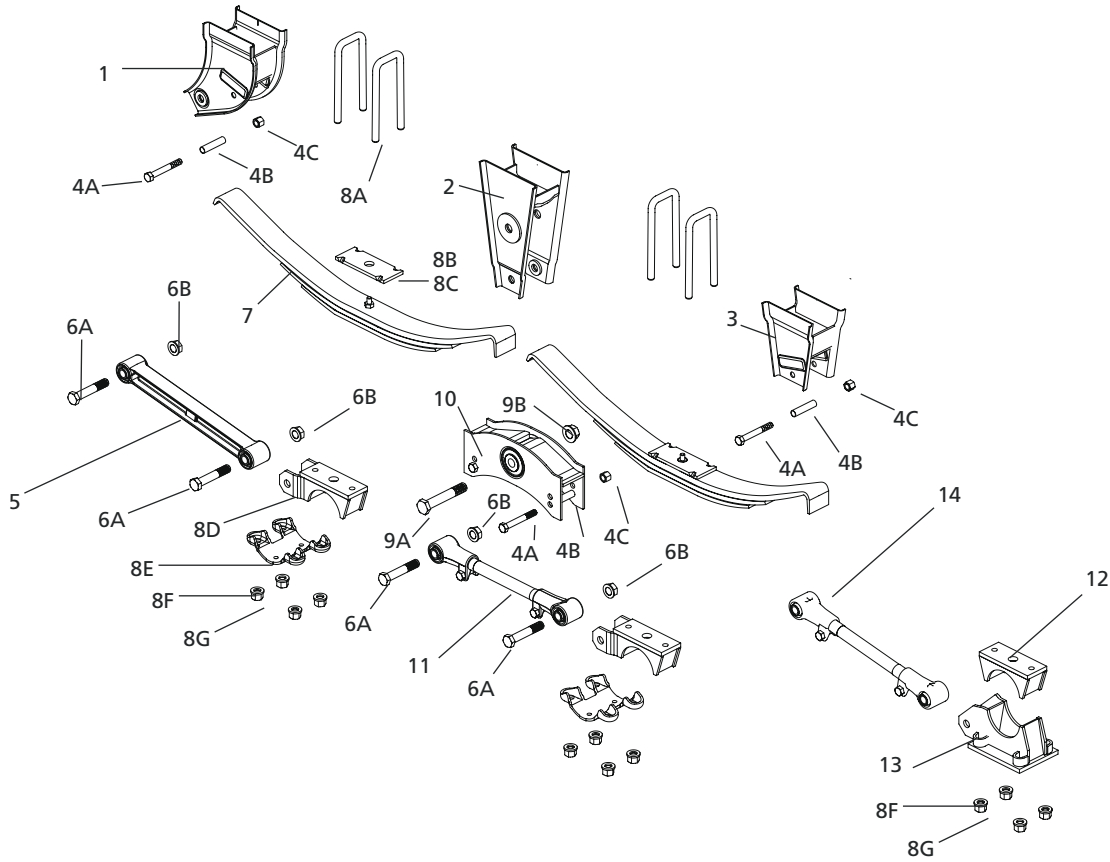
UltraLite2 Replacement Kit



ITEM	DESCRIPTION	PART NUMBER	QTY.	WEIGHT LBS. [kg]
4A	Screw,Hex Cap GR-5 5/8-11 Plain	XB-SP0050-71	1	0.49 [0.22]
4B	Sleeve,Spacer	XB-SP0145	1	0.10 [0.05]
4C	Nut,Prev Torque 5/8-11 GR-B PLN&WAX	XB-SP0012-10	1	0.07 [0.03]
6A	Screw,Hex Cap GR-5 7/8-14X4.81 CL 2A PLN	XB-SP0050-75	1	1.02 [0.46]
6B	Nut,Prev Torq 7/8-14 GR-F CL 2B PHS&OL	XB-SP0012-36	1	0.22 [0.10]
9A	Screw,Hex Cap GR-5 1-14X6.06 CL 2A PLN	XB-SP0050-73	1	1.61 [0.73]
9B	Nut,Prev Torq 1-14 GR-F CL 2B PHS&OL	XB-SP0012-37	1	0.32 [0.15]
47*	Pad, Field Replacement	SP0334	2	2.84 [1.29]
48	Bushing, Torque Arm	XB-SP0054-02	1	0.57 [0.26]
49	Bushing, Equalizer	XB-SP0054-05	1	3.20 [1.45]

* Kit contains components for replacement of roadside and curbside rear or front hangers wear pad.
(Not used on under mount front hangers.)

THIS PAGE INTENTIONALLY LEFT BLANK



For clarity, duplicate U-bolt and adjustable torque arm connection components, among other components, are not identified.

SUSPENSION COMPONENTS				
ITEM	DESCRIPTION	PART NUMBER	QTY.	WEIGHT LBS. [kg]
1	Straddle Mount Front Hanger	SP0100	2	11.84 [5.37]
2	Straddle Mount Equalizer Hanger	SP0110	2	13.78 [6.25]
3	Straddle Mount Rear Hanger	SP0120	2	8.50 [3.86]
4A	Bolt .63" - 11 x 4.50" LG GR5	XB-SP0050-71	8	0.49 [0.22]
4B	Spacer .63"	XB-SP0145	8	0.10 [0.05]
4C	Lock Nut .63" - 11	XB-SP0012-10	1	0.07 [0.03]
5	Fixed Torque Arm with Bushings-Tandem Axle	SP0143	1	9.40 [4.26]
	Fixed Torque Arm with Bushings - No Hop		2	
6A	Bolt .88" - 14 x 4.75" LG GR 5	XB-SP0050-75	8	1.02 [0.46]
6b	Flange Lock Nut .88" - 14	XB-SP0012-36	8	0.22 [0.10]
7*	Spring Assembly	See Following Pages	4	N/A
8A	U-Bolt .75" Dia. - Tandem Axle	See Following Pages	8	N/A
	U-Bolt .75" Dia. - No-Hop		4	N/A
8A**	U-Bolt .75" Dia. - Rear Axle	See Following Pages	4	N/A
8B	Top Plate	SP0178	4	2.34 [1.06]
8C	Liner	SP0049	4	N/A
8D	Spring Seat Riser - Tandem Axle	See Following Pages	4	N/A
	Spring Seat Riser - No-Hop		2	N/A
8E	Bottom Plate - Tandem Axle	SP0099	4	3.76 [1.71]
	Bottom Plate - No-Hop		2	
8F	Hardened Washer .81" ID x 1.94" OD	XB-SP0016-67	16	0.06 [0.03]
8G	Hex Nut .75" - 16 GR 8	XB-SP0011-44	16	0.11 [0.05]
9A	Bolt 1.00" - 14 x 6.06" LG GR 5	XB-SP0050-73	2	1.61 [0.73]
9B	Flange Lock Nut 1.00" - 14	XB-SP0012-37	2	0.32 [0.15]
10	Equalizer with Bushings	SP0048	2	21.60 [9.80]
11	Adjustable Torque Arm with Bushings - Tandem	SP0123	2	10.20 [4.63]
	Adjustable Torque Arm with Bushings - No Hop		1	
12**	Spring Seat Riser - Rear Axle	See Following Pages	2	N/A
13**	No-Hop Bottom Plate - Rear Axle	SP0170	2	19.30 [8.75]
14**	Adjustable Torque Arm - Rear Axle	SP0169	2	14.03 [6.36]

* Spring assembly and spring liner (items 7 and 8C) are supplied by spring manufacturer.

** No Hop components.

SINGLE LEAF SPRING TABLE										
#7 Spring	Mounting Height	#8A U-Bolt	#8D/#13* 0.75" Spring Seat Riser	#8D/#13* 1.25" Spring Seat Riser	#8D/#13* 1.75" Spring Seat Riser	#8D/#13* 2.25" Spring Seat Riser	#8D/#13* 2.75" Spring Seat Riser	#8D/#13* 3.25" Spring Seat Riser	#8D/#13* 3.75" Spring Seat Riser	#8D/#13* 4.25" Spring Seat Riser
SP0363	12.75"	XB-SP0074-G XB-SP0074-P*	SP0142-01 SP0172-01*	-	-	-	-	-	-	-
SP0363	13.25"	XB-SP0074-H XB-SP0074-R*	-	SP0142-02 SP0172-02*	-	-	-	-	-	-
SP0363	13.75"	XB-SP0074-J XB-SP0074-S*	-	-	SP0142-03 SP0172-03*	-	-	-	-	-
SP0363	14.25"	XB-SP0074-K XB-SP0074-T*	-	-	-	SP0149-04 SP0172-04*	-	-	-	-
SP0363	14.75"	XB-SP0074-L	-	-	-	-	SP0149-05	-	-	-
SP0360	15.00"	XB-SP0074-G XB-SP0074-P*	SP0142-01 SP0172-01*	-	-	-	-	-	-	-
SP0363	15.25"	XB-SP0074-M	-	-	-	-	-	SP0149-06	-	-
SP0360	15.50"	XB-SP0074-H XB-SP0074-R*	-	SP0142-02 SP0172-02*	-	-	-	-	-	-
SP0363	15.75"	XB-SP0074-P	-	-	-	-	-	-	SP0149-07	-
SP0360	16.00"	XB-SP0074-J XB-SP0074-S*	-	-	SP0142-03 SP0172-03*	-	-	-	-	-
SP0363	16.25"	XB-SP0074-R	-	-	-	-	-	-	-	SP0149-08
SP0360	16.50"	XB-SP0074-K XB-SP0074-T*	-	-	-	SP0149-04 SP0172-04*	-	-	-	-
SP0360	17.00"	XB-SP0074-L	-	-	-	-	SP0149-05	-	-	-
SP0360	17.50"	XB-SP0074-M	-	-	-	-	-	SP0149-06	-	-
SP0360	18.00"	XB-SP0074-P	-	-	-	-	-	-	SP0149-07	-
SP0360	18.50"	XB-SP0074-R	-	-	-	-	-	-	-	SP0149-08

* No Hop components, rear mount.

2-LEAF SPRING TABLE										
#7 Spring	Mounting Height	#8A U-Bolt	#8D/#13* 0.75" Spring Seat Riser	#8D/#13* 1.25" Spring Seat Riser	#8D/#13* 1.75" Spring Seat Riser	#8D/#13* 2.25" Spring Seat Riser	#8D/#13* 2.75" Spring Seat Riser	#8D/#13* 3.25" Spring Seat Riser	#8D/#13* 3.75" Spring Seat Riser	#8D/#13* 4.25" Spring Seat Riser
SP0326	12.75"	XB-SP0074-H XB-SP0074-R*	SP0142-01 SP0172-01*	-	-	-	-	-	-	-
SP0326	13.25"	XB-SP0074-J XB-SP0074-S*	-	SP0142-02 SP0172-02*	-	-	-	-	-	-
SP0325	13.50"	XB-SP0074-H XB-SP0074-R*	-	-	-	-	-	-	-	-
SP0326	13.75"	XB-SP0074-K XB-SP0074-T*	-	-	SP0142-03 SP0172-03*	-	-	-	-	-
SP0325	14.00"	XB-SP0074-J XB-SP0074-S*	-	-	-	-	-	-	-	-
SP0326	14.25"	XB-SP0074-L XB-SP0074-U*	-	-	-	SP0149-04 SP0172-04	-	-	-	-
SP0325	14.50"	XB-SP0074-K XB-SP0074-T*	-	-	-	-	-	-	-	-
SP0326	14.75"	XB-SP0074-M	-	-	-	-	SP0149-05	-	-	-
SP0324 SP0325	15.00"	XB-SP0074-H XB-SP0074-L XB-SP0074-R* XB-SP0074-U*	SP0142-01 SP0172-01*	-	-	SP0149-04 SP0172-04*	-	-	-	-
SP0326	15.25"	XB-SP0074-P	-	-	-	-	-	SP0149-06	-	-
SP0324 SP0325	15.50"	XB-SP0074-J XB-SP0074-M XB-SP0074-S*	-	SP0142-02 SP0172-02*	-	-	SP0149-05	-	-	-
SP0326	15.75"	XB-SP0074-R	-	-	-	-	-	-	SP0149-07	-
SP0324 SP0325	16.00"	XB-SP0074-K XB-SP0074-P XB-SP0074-T*	-	-	SP0142-03 SP0172-03*	-	-	SP0149-06	-	-
SP0326	16.25"	XB-SP0074-S	-	-	-	-	-	-	-	SP0149-08
SP0324 SP0325	16.50"	XB-SP0074-L XB-SP0074-R XB-SP0074-U*	-	-	-	SP0149-04 SP0172-04*	-	-	SP0149-07	-
SP0324 SP0325	17.00"	XB-SP0074-M XB-SP0074-S	-	-	-	-	SP0149-05	-	-	SP0149-08
SP0324	17.50"	XB-SP0074-P	-	-	-	-	-	SP0149-06	-	-
SP0324	18.00"	XB-SP0074-R	-	-	-	-	-	-	SP0149-07	-
SP0324	18.50"	XB-SP0074-S	-	-	-	-	-	-	-	SP0149-08

* No Hop components, rear mount.

3-LEAF SPRING TABLE										
#7 Spring	Mounting Height	#8A U-Bolt	#8D/#13* 0.75" Spring Seat Riser	#8D/#13* 1.25" Spring Seat Riser	#8D/#13* 1.75" Spring Seat Riser	#8D/#13* 2.25" Spring Seat Riser	#8D/#13* 2.75" Spring Seat Riser	#8D/#13* 3.25" Spring Seat Riser	#8D/#13* 3.75" Spring Seat Riser	#8D/#13* 4.25" Spring Seat Riser
SP0356	12.75"	XB-SP0074-H XB-SP0074-S*	SP0142-01 SP0172-01*	-	-	-	-	-	-	-
SP0356	13.25"	XB-SP0074-J XB-SP0074-T*	-	SP0142-02 SP0172-02*	-	-	-	-	-	-
SP0355	13.50"	XB-SP0074-J XB-SP0074-S*	SP0142-01 SP0172-01*	-	-	-	-	-	-	-
SP0356	13.75"	XB-SP0074-K XB-SP0074-U*	-	-	SP0142-03 SP0172-03*	-	-	-	-	-
SP0355	14.00"	XB-SP0074-K XB-SP0074-T*	-	SP0142-02 SP0172-02*	-	-	-	-	-	-
SP0356	14.25"	XB-SP0074-L XB-SP0074-V*	-	-	-	SP0149-04 SP0172-04*	-	-	-	-
SP0355	14.50"	XB-SP0074-L XB-SP0074-U*	SP0142-01 SP0172-01*	-	SP0142-03 SP0172-03*	-	-	-	-	-
SP0356	14.75"	XB-SP0074-P	-	-	-	-	SP0149-05	-	-	-
SP0354 SP0355	15.00"	XB-SP0074-J XB-SP0074-M XB-SP0074-S* XB-SP0074-V*	-	-	-	SP0149-04 SP0172-04*	-	-	-	-
SP0356	15.25"	XB-SP0074-R	-	-	-	-	-	SP0149-06	-	-
SP0354 SP0355	15.50"	XB-SP0074-K XB-SP0074-P XB-SP0074-T*	-	SP0142-02 SP0172-02*	-	-	SP0149-05	-	-	-
SP0356	15.75"	XB-SP0074-S	-	-	-	-	-	-	SP0149-07	-
SP0354 SP0355	16.00"	XB-SP0074-L XB-SP0074-R XB-SP0074-U*	-	-	SP0142-03 SP0172-03*	-	-	SP0149-06	-	-
SP0356	16.25"	XB-SP0074-T	-	-	-	-	-	-	-	SP0149-08
SP0354 SP0355	16.50"	XB-SP0074-M XB-SP0074-S XB-SP0074-V*	-	-	-	SP0149-04 SP0172-04*	-	-	SP0149-07	-
SP0354 SP0355	17.00"	XB-SP0074-P XB-SP0074-T	-	-	-	-	SP0149-05	-	-	SP0149-08
SP0354	17.50"	XB-SP0074-R	-	-	-	-	-	SP0149-06	-	-
SP0354	18.00"	XB-SP0074-S	-	-	-	-	-	-	SP0149-07	-
SP0354	18.50"	XB-SP0074-T	-	-	-	-	-	-	-	SP0149-08

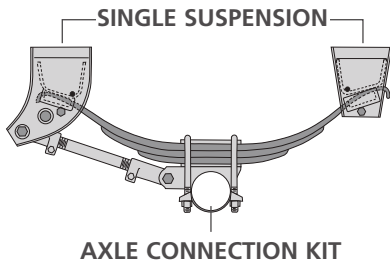
* No Hop components, rear mount.

HEAVY DUTY 3-LEAF SPRING TABLE										
#7 Spring	Mounting Height	#8A U-Bolt	#8D/#13* 0.75" Spring Seat Riser	#8D/#13* 1.25" Spring Seat Riser	#8D/#13* 1.75" Spring Seat Riser	#8D/#13* 2.25" Spring Seat Riser	#8D/#13* 2.75" Spring Seat Riser	#8D/#13* 3.25" Spring Seat Riser	#8D/#13* 3.75" Spring Seat Riser	#8D/#13* 4.25" Spring Seat Riser
SP0365-01	12.75"	XB-SP0074-K XB-SP0074-T*	SP0142-01 SP0172-01*	-	-	-	-	-	-	-
SP0365-01	13.25"	XB-SP0074-L XB-SP0074-U*	-	SP0142-02 SP0172-02*	-	-	-	-	-	-
SP0365-01	13.75"	XB-SP0074-M XB-SP0074-V*	-	-	SP0142-03 SP0172-03*	-	-	-	-	-
SP0365-01	14.25"	XB-SP0074-P XB-SP0074-W*	-	-	-	SP0149-04 SP0172-04*	-	-	-	-
SP0365-01	14.75"	XB-SP0074-R	-	-	-	-	SP0149-05	-	-	-
SP0365	15.00"	XB-SP0074-K XB-SP0074-T*	SP0142-01 SP0172-01*	-	-	-	-	-	-	-
SP0365-01	15.25"	XB-SP0074-S	-	-	-	-	-	SP0149-06	-	-
SP0365	15.50"	XB-SP0074-L XB-SP0074-U*	-	SP0142-02 SP0172-02*	-	-	-	-	-	-
SP0365-01	15.75"	XB-SP0074-T	-	-	-	-	-	-	SP0149-07	-
SP0365	16.00"	XB-SP0074-M XB-SP0074-V*	-	-	SP0142-03 SP0172-03*	-	-	-	-	-
SP0365-01	16.25"	XB-SP0074-U	-	-	-	-	-	-	-	SP0149-08
SP0365	16.50"	XB-SP0074-P XB-SP0074-W*	-	-	-	SP0149-04 SP0172-04*	-	-	-	-
SP0365	17.00"	XB-SP0074-R	-	-	-	-	SP0149-05	-	-	-
SP0365	17.50"	XB-SP0074-S	-	-	-	-	-	SP0149-06	-	-
SP0365	18.00"	XB-SP0074-T	-	-	-	-	-	-	SP0149-07	-
SP0365	18.50"	XB-SP0074-U	-	-	-	-	-	-	-	SP0149-08

* No Hop components, rear mount.

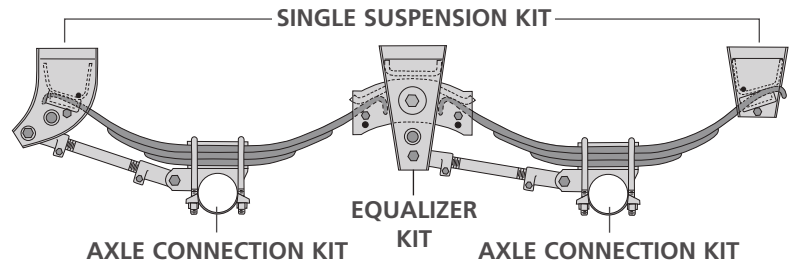
DURALITE FIXED FRAME SUSPENSION KITS (EQUALIZERS SOLD SEPARATELY)

SINGLE AXLE SUSPENSION



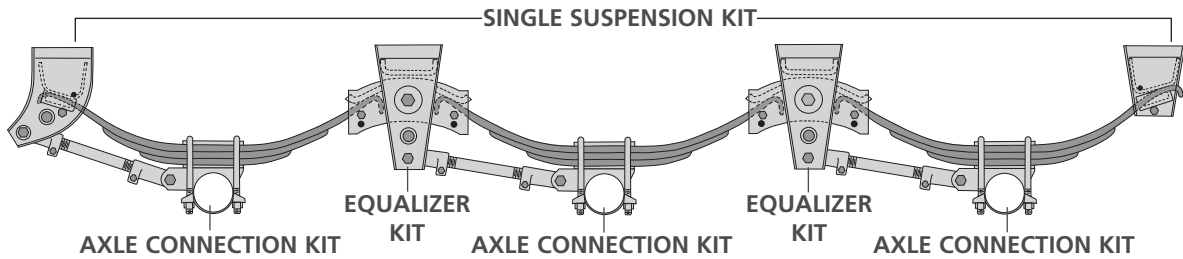
- ORDER:
 -(1) Single Suspension Kit
 -(1) Axle Connection Kit

TANDEM AXLE SUSPENSION



- ORDER:
 -(1) Single Suspension Kit
 -(1) Equalizer Kit
 -(2) Axle Connection Kits

TRI-AXLE SUSPENSION



- ORDER:
 -(1) Single Suspension Kit
 -(2) Equalizer Kits
 -(3) Axle Connection Kits

SUSPENSION TYPE	MOUNT STYLE	SUSPENSION KIT	SUSPENSION KIT QTY	EQUALIZER KIT	EQUALIZER KIT QTY	AXLE CONNECTION KIT	AXLE CONNECTION KIT QTY	PART NUMBER AND RIDE HEIGHT
Single	Straddle Mount	SPK0060	1	SPK0042	0	See Next Page	1	See Next Page
Tandem	Straddle Mount	SPK0060	1	SPK0042	1	See Next Page	2	See Next Page
Tri-Axle	Straddle Mount	SPK0060	1	SPK0042	2	See Next Page	3	See Next Page
Single	Under Mount	SPK0064	1	SPK0030	0	See Next Page	1	See Next Page
Tandem	Under Mount	SPK0064	1	SPK0030	1	See Next Page	2	See Next Page
Tri-Axle	Under Mount	SPK0064	1	SPK0030	2	See Next Page	3	See Next Page
Single	Flange Mount	SPK0068	1	SPK0121	0	See Next Page	1	See Next Page
Tandem	Flange Mount	SPK0068	1	SPK0121	1	See Next Page	2	See Next Page
Tri-Axle	Flange Mount	SPK0068	1	SPK0121	2	See Next Page	3	See Next Page

SUSPENSION KITS

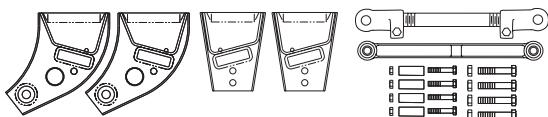
STRADDLE MOUNT
SPK0060



UNDER MOUNT
SPK0064



FLANGE MOUNT
SPK0068



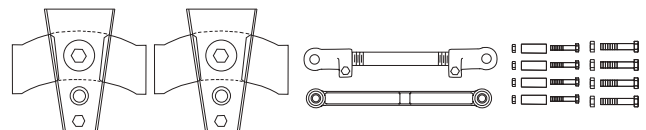
EQUALIZER KITS

STRADDLE MOUNT
SPK0042



UNDER MOUNT
SPK0030

FLANGE MOUNT
SPK0121



Mounting Height Spring Seat Selection

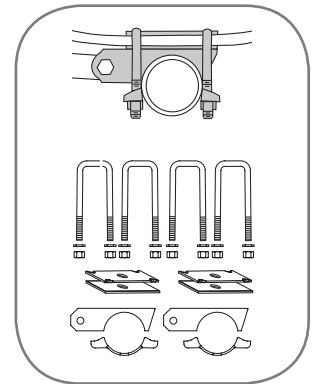
IMPORTANT: There should be at least 4½" of vertical tire clearance with an unloaded vehicle. and clearance must be provided at the side, front, and rear of the tires.

Round Axle Over Slung Axle Connection Kits

Spring Seat Height and U-Bolt Kit (One kit required per axle)

Spring Seat Height		¾"	1¼"	1¾"	2¼"	2¾"	3¼"	3¾"
Leaf Springs	1 & 2	SPK0080	SPK0081	SPK0082	SPK0083	SPK0084	SPK0085	SPK0086
	3 & 3HD	SPK0031	SPK0032	SPK0033	SPK0034	SPK0035	SPK0036	SPK0037
Low Arch	Ride Height	13 ¼"	13 ¼"	14 ¼"	14 ¾"	15 ¼"	15 ¾"	16 ¼"
Medium Arch	Ride Height	14"	14 ½"	15"	15 ½"	16"	16 ½"	17"
High Arch	Ride Height	15 ½"	16"	16 ½"	17"	17 ½"	18"	18 ½"

IMPORTANT: Mounting heights should not exceed 17½" and should provide a minimum of 4½" of tire clearance with an empty vehicle.

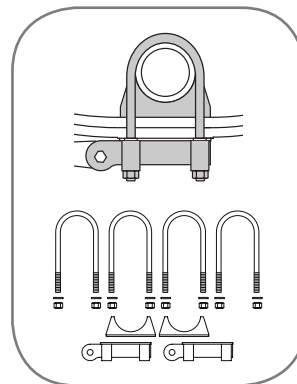


Round Axle Under Slung Axle Connection Kits

Spring Seat Height and U-Bolt Kit (One kit required per axle)

Spring Seat Height		¾"	1¼"	1¾"	2¼"
Leaf Springs	2, 3 & 3HD	SPK0045	SPK0046	SPK0047	SPK0048
	Low Arch	Ride Height	4 ½"	–	–
Medium Arch	Ride Height	5 ½"	5"	4 ½"	–
High Arch	Ride Height	7"	6 ½"	6"	5 ½"

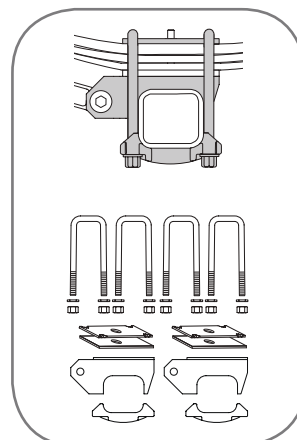
IMPORTANT: Mounting height should provide a minimum of 4½" of tire clearance with an empty vehicle.

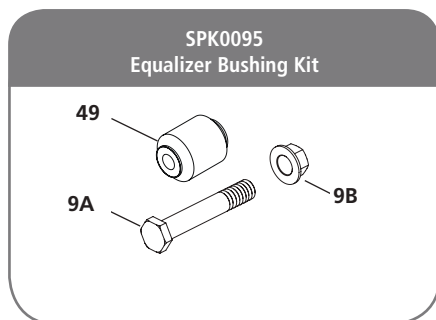
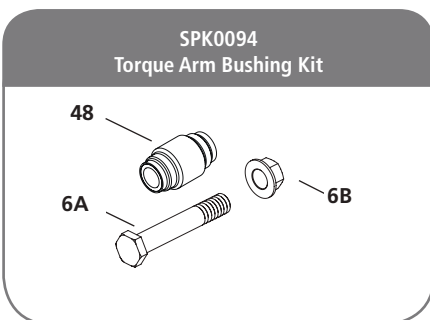
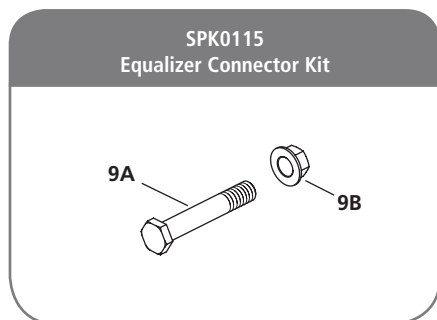
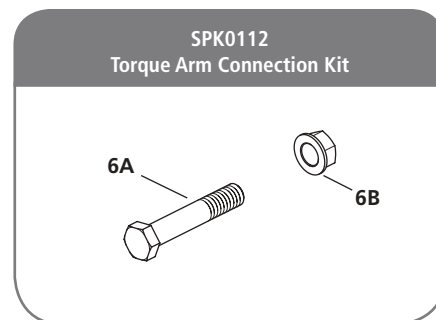
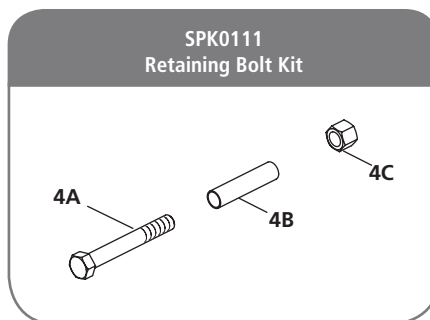
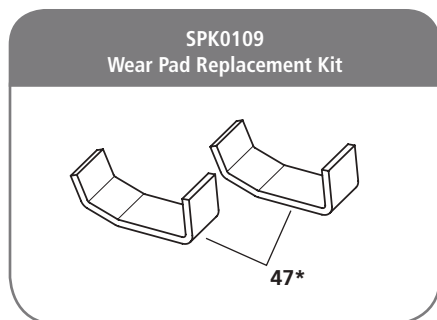


Square Axle Over Slung Axle Connection Kits

Spring Seat Height and U-Bolt Kit (One kit required per axle)

Spring Seat Height		1¼"	1¾"	2¼"	2¾"
Leaf Springs	1 & 2	SPK0076	SPK0077	SPK0078	SPK0079
	3 & 3HD	SPK0072	SPK0073	SPK0074	SPK0075
Low Arch	Ride Height	14 ¼"	14 ¾"	15 ¼"	15 ¾"
Medium Arch	Ride Height	15"	15 ½"	16"	16 ½"
High Arch	Ride Height	16 ½"	17"	17 ½"	18"



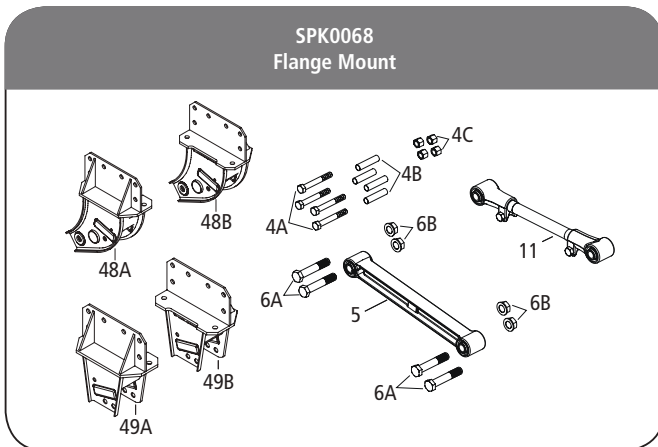
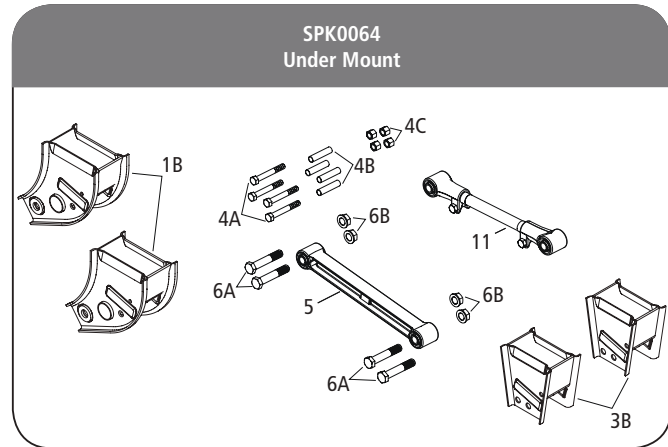
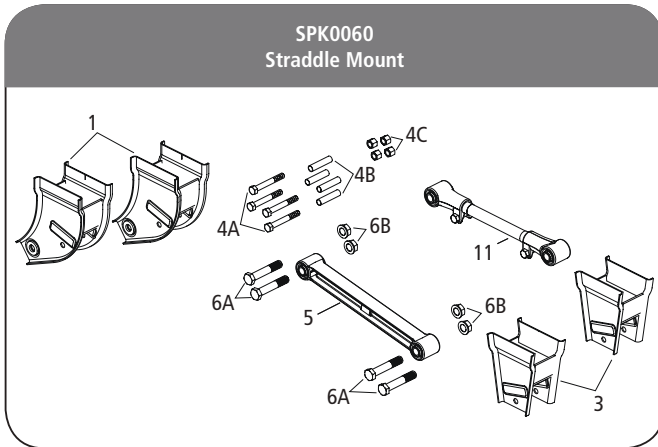


ITEM	DESCRIPTION	PART NUMBER	QTY.	WEIGHT LBS. [kg]
4A	Screw,Hex Cap GR-5 5/8-11 Plain	XB-SP0050-71	1	0.49 [0.22]
4B	Sleeve,Spacer	XB-SP0145	1	0.10 [0.05]
4C	Nut,Prev Torque 5/8-11 GR-B PLN&WAX	XB-SP0012-10	1	0.07 [0.03]
6A	Screw,Hex Cap GR-5 7/8-14X4.81 CL 2A PLN	XB-SP0050-75	1	1.02 [0.46]
6B	Nut,Prev Torq 7/8-14 GR-F CL 2B PHS&OL	XB-SP0012-36	1	0.22 [0.10]
9A	Screw,Hex Cap GR-5 1-14X6.06 CL 2A PLN	XB-SP0050-73	1	1.61 [0.73]
9B	Nut,Prev Torq 1-14 GR-F CL 2B PHS&OL	XB-SP0012-37	1	0.32 [0.15]
47*	Pad, Field Replacement	SP0334	2	2.84 [1.29]
48	Bushing, Torque Arm	XB-SP0054-02	1	0.57 [0.26]
49	Bushing, Equalizer	XB-SP0054-05	1	3.20 [1.45]

* Kit contains components for replacement of roadside and curbside rear or front hangers wear pad. (Not used on under mount front hangers.)

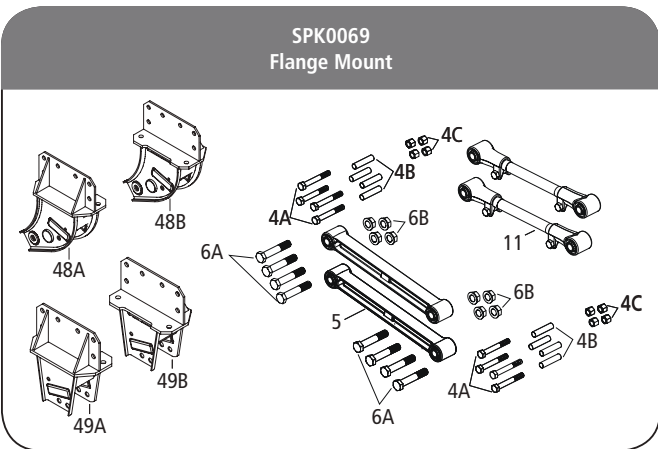
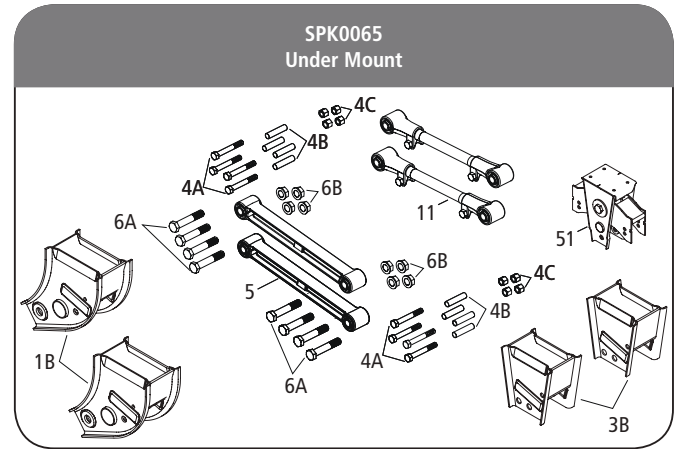
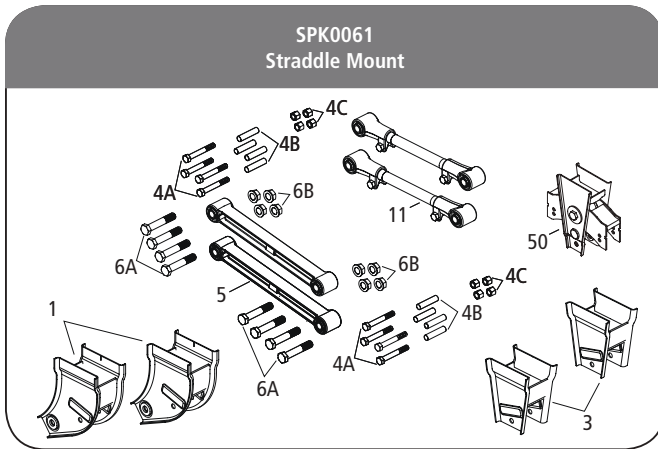
THIS PAGE INTENTIONALLY LEFT BLANK

Single Axle



ITEM	DESCRIPTION	PART NUMBER	QTY.	WEIGHT LBS. [kg]
1	Hanger Assy, Front Standard Mount	SP0100	2	11.84 [5.37]
1B	Hanger Assy, Front Undermount	SP0162	2	11.40 [5.17]
3	Hanger Assy, Rear Straddle	SP0120	2	8.50 [3.86]
3B	Hanger Assy, Rear Undermount	SP0160	2	7.30 [3.31]
5	Assy Torque Arm Fixed	SP0143	1	9.40 [4.26]
4A	Screw, Hex CAPGR-5 5/8-11 Plain	XB-SP0050-71	4	0.49 [0.22]
4B	Sleeve, Spacer	XB-SP0145	4	0.10 [0.05]
4C	Nut, Lock 5/8-11 GR-B PLN&Wax	XB-SP0012-10	4	0.07 [0.03]
6A	Screw, Hex Cap GR-5 7/8-14X4.81 CL 2A PLN	XB-SP0050-75	4	1.02 [0.46]
6B	Nut FLG 7/8-14 GR-F CL 2B PRVL TQ PHS&OL	XB-SP0012-36	4	0.22 [0.10]
11	Assy Adjustable Torque Arm	SP0123	1	10.20 [4.62]
48A	Hanger Assembly, Front-Bolt On	SP0341-01	1	22.40 [10.16]
48B	Hanger Assembly, Front-Bolt On	SP0341-02	1	22.40 [10.16]
49A	Hanger Assembly, Rear-Bolt On	SP0343-01	1	18.20 [8.26]
49B	Hanger Assembly, Rear-Bolt On	SP0343-02	1	18.20 [8.26]

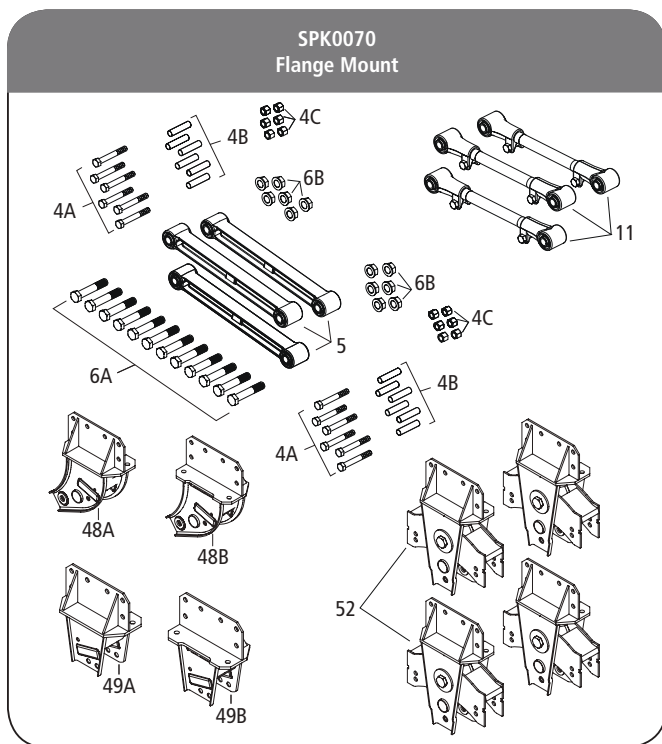
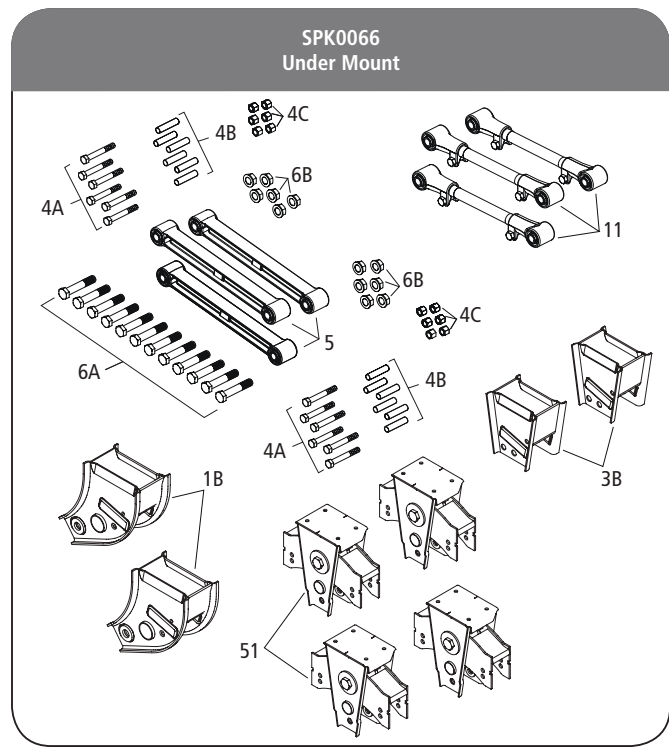
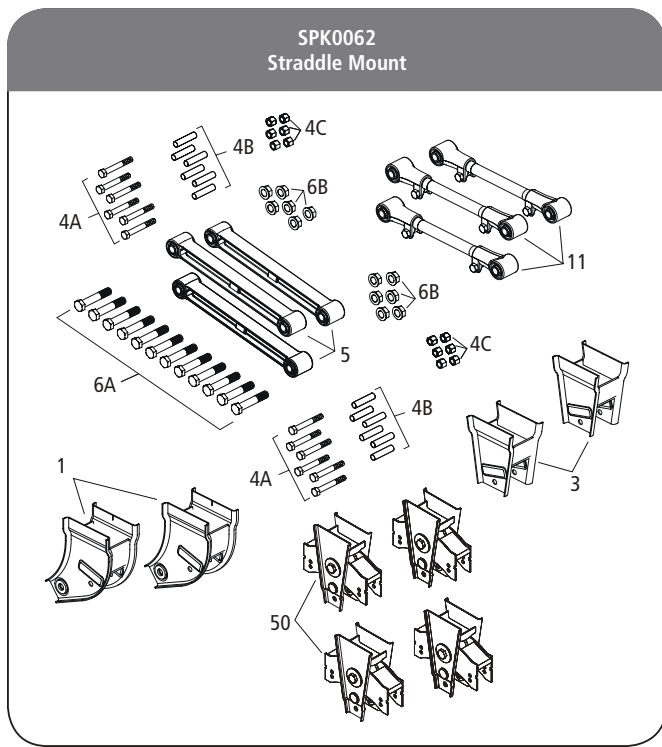
Tandem Axle



DuraLite

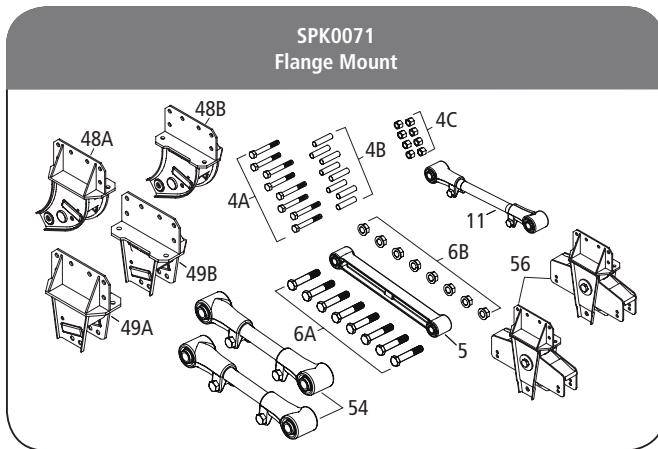
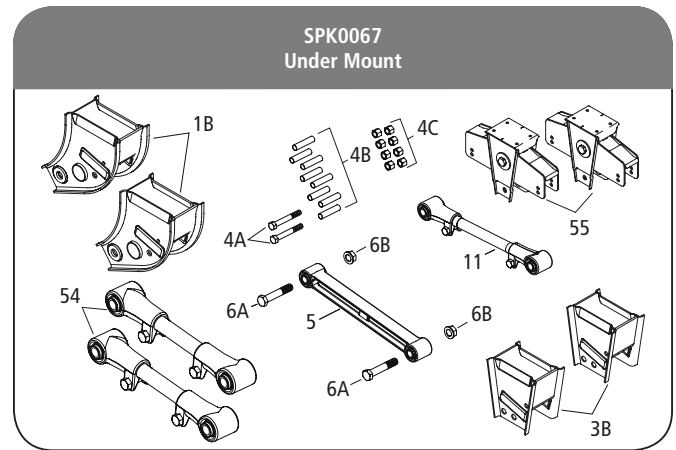
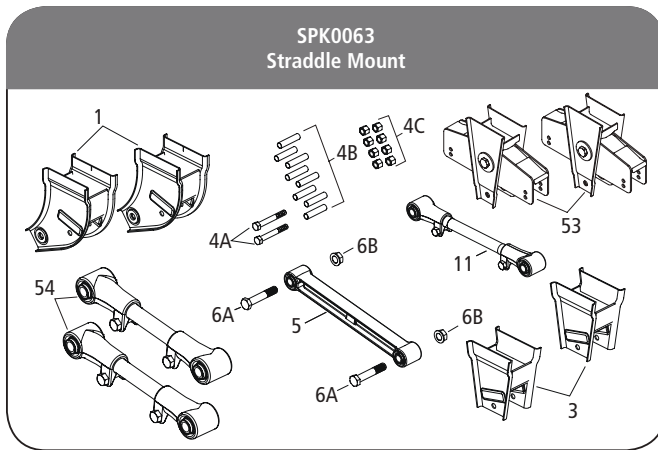
ITEM	DESCRIPTION	PART NUMBER	QTY.	WEIGHT LBS. [kg]
1	Hanger Assy, Front Standard Mount	SP0100	2	11.84 [5.37]
3	Hanger Assy, Rear Straddle	SP0120	2	8.50 [3.86]
4A	Screw, Hex CAPGR-5 5/8-11 Plain	XB-SP0050-71	8	0.49 [0.22]
4B	Sleeve, Spacer	XB-SP0145	8	0.10 [0.05]
4C	Nut, Lock 5/8-11 GR-B PLN&Wax	XB-SP0012-10	8	0.07 [0.03]
5	Assy Torque Arm Fixed	SP0143	2	9.40 [4.26]
6A	Screw, Hex Cap GR-5 7/8-14X4.81 CL 2A PLN	XB-SP0050-75	8	1.02 [0.46]
6B	Nut FLG 7/8-14 GR-F CL 2B PRVL TQ PHS&OL	XB-SP0012-36	8	0.22 [0.10]
11	Assy Adjustable Torque Arm	SP0123	2	10.20 [4.62]
48A	Hanger Assembly, Front-Bolt On	SP0341-01	1	22.40 [10.16]
48B	Hanger Assembly, Front-Bolt On	SP0341-02	1	22.40 [10.16]
49A	Hanger Assembly, Rear-Bolt On	SP0343-01	1	18.20 [8.26]
49B	Hanger Assembly, Rear-Bolt On	SP0343-02	1	18.20 [8.26]
50	Hanger, Center Equalizing Assy	SP0119	2	37.30 [16.92]
51	Hanger Assembly, Center Equalizer	SP0163	2	38.40 [17.41]

Tri-Axle



ITEM	DESCRIPTION	PART NUMBER	QTY.	WEIGHT LBS. [kg]
1	Straddle Mount Front Hanger	SP0100	2	11.84 [5.37]
1B	Hanger Assy, Front Undermount-Painted	SP0162	2	11.40 [5.17]
3	Straddle Mount Rear Hanger	SP0120	2	8.50 [3.85]
3B	Hanger Assy, Rear Undermount-Painted	SP0160	2	7.30 [3.31]
11	Assy Adjustable Torque Arm	SP0123	3	10.20 [4.62]
5	Assy Torque Arm Fixed	SP0143	3	9.40 [4.26]
4A	Screw,Hex Cap GR-5 5/8-11 Plain	XB-SP0050-71	12	0.49 [0.22]
4B	Sleeve,Spacer	XB-SP0145	12	0.10 [0.05]
4C	Nut, Prev Torque 5/8-11 GR-B PLN&WAX	XB-SP0012-10	12	0.07 [0.03]
6A	Screw,Hex Cap GR-5 7/8-14X4.81 CL 2A PLN	XB-SP0050-75	12	1.02 [0.46]
6B	Nut, Prev Torq 7/8-14 GR-F CL 2B PHS&OL	XB-SP0012-36	12	0.22 [0.10]
48A	Hanger Assy, Front-Bolt On	SP0341-01	1	22.40 [10.16]
48B	Hanger Assy, Front-Bolt On	SP0341-02	1	22.40 [10.16]
49A	Hanger Assy, Rear-Bolt On	SP0343-01	1	18.20 [8.26]
49B	Hanger Assy, Rear-Bolt On	SP0343-02	1	18.20 [8.26]
50	Hanger, Center Equalizing Assy-Painted	SP0119	4	37.30 [16.92]
51	Hanger Assy, Center Equalizer-Painted	SP0163	4	38.40 [17.41]
52	Hanger Assy, Center Equal-Bolt On	SP0342	4	46.90 [21.27]

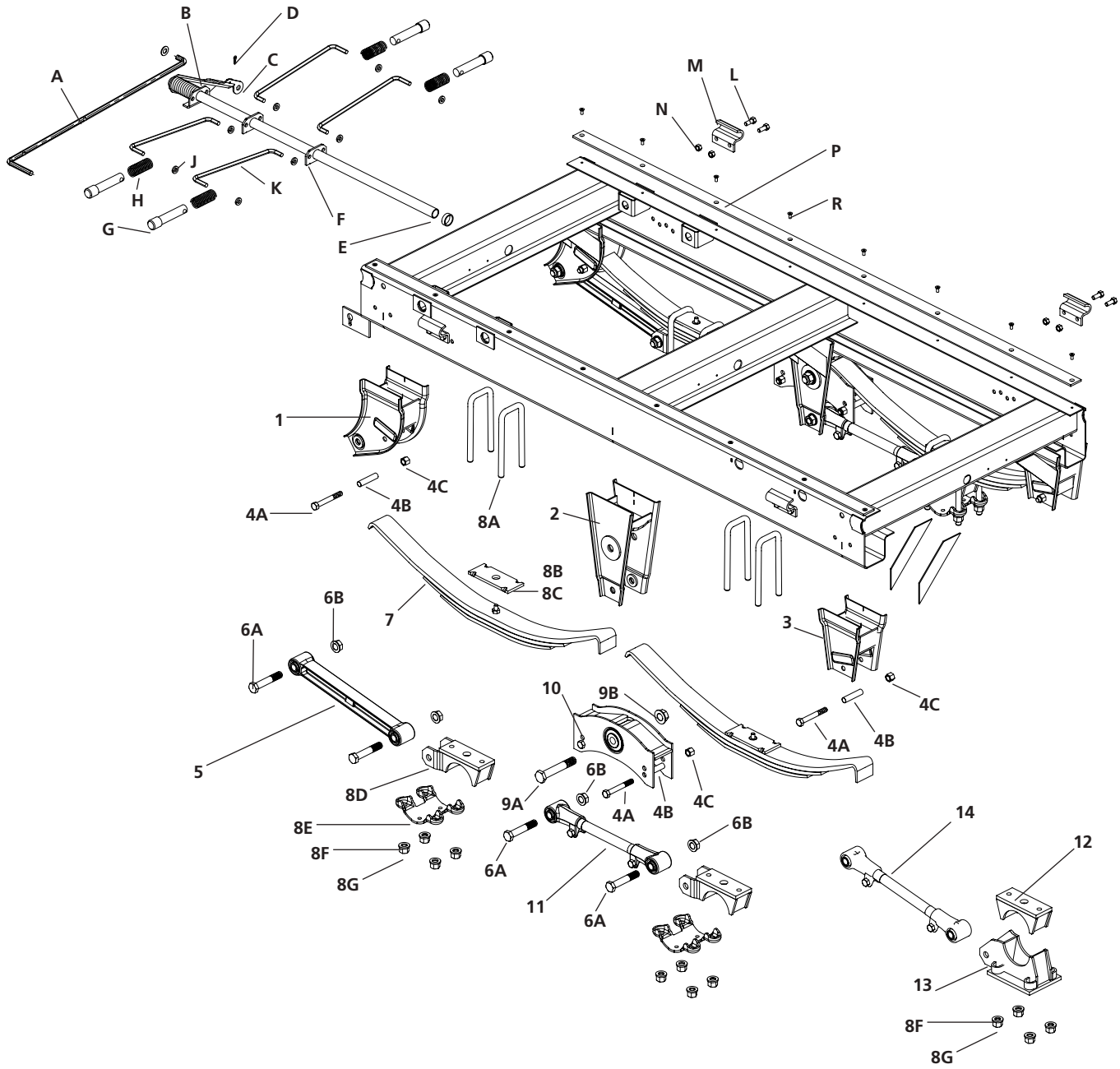
Spread Axle



ITEM	DESCRIPTION	PART NUMBER	QTY.	WEIGHT LBS. [kg]
1	Straddle Mount Front Hanger	SP0100	2	11.84 [5.37]
1B	Hanger Assy, Front Undermount-Painted	SP0162	2	11.40 [5.17]
3	Straddle Mount Rear Hanger	SP0120	2	8.50 [3.86]
3B	Hanger Assy, Rear Undermount-Painted	SP0160	2	7.30 [3.31]
4A	Screw,Hex Cap GR-5 5/8-11 Plain (SPK0067, SPK0067)	XB-SP0050-71	2	0.49 [0.22]
	Screw,Hex Cap GR-5 5/8-11 Plain (SPK0071)		8	
4B	Sleeve,Spacer	XB-SP0145	8	0.10 [0.05]
4C	Nut, Prev Torque 5/8-11 GR-B PLN&WAX	XB-SP0012-10	8	0.07 [0.03]
5	Assy Torque Arm Fixed	SP0143	1	9.40 [4.26]
6A	Screw,Hex Cap GR-5 7/8-14X4.81 CL 2A PLN (SPK0067, SPK0067)	XB-SP0050-75	2	1.02 [0.46]
	Screw,Hex Cap GR-5 7/8-14X4.81 CL 2A PLN (SPK0071)		8	

ITEM	DESCRIPTION	PART NUMBER	QTY.	WEIGHT LBS. [kg]
6B	Nut, Prev Torq 7/8-14 GR-F CL 2B PHS&OL (SPK0067, SPK0067)	XB-SP0012-36	2	0.22 [0.10]
	Nut, Prev Torq 7/8-14 GR-F CL 2B PHS&OL (SPK0071)		8	
11	Assy Adjustable Torque Arm	SP0123	1	10.20 [4.62]
48A	Hanger Assy, Front-Bolt On	SP0341-01	1	22.40 [10.16]
48B	Hanger Assembly, Front-Bolt On	SP0341-02	1	22.40 [10.16]
49A	Hanger Assy, Rear-Bolt On	SP0343-01	1	18.20 [8.26]
49B	Hanger Assembly, Rear-Bolt On	SP0343-02	1	18.20 [8.26]
53	Hanger Assy, Center Equalizer-54"	SP0345	2	46.60 [21.14]
54	Cross Arm Adjustable Assembly 21.96	SP0202-04	2	11.19 [5.08]
55	Hanger Assy, Center Equalizer-54"	SP0344	2	47.00 [21.32]
56	Hanger Assy, Center Equal-Bolt On	SP0346	2	58.00 [26.31]

DuraSystem Exploded View



For clarity, duplicate U-bolt and adjustable torque arm connection components, among other components, are not identified.

ITEM	DESCRIPTION	PART NUMBER	QTY.	WEIGHT LBS. [kg]
A	Pull Handle - 42.0"	SL0A1269-02	1	3.55 [1.61]
	Pull Handle - 48.0"	SL0A1269-01		3.81 [1.73]
	Pull Handle - 54.0"	SL0A1269-03		4.07 [1.85]
B	Center Pin Pull Assembly	SL0A1277-01	1	7.23 [3.28]
C	Retainer Washer	XB-PW-016-08	1	0.03 [0.01]
D	Cotter Pin 3/16" x 1-1/2"	XB-CTP-014-59	1	0.01 [0.005]
E	Spacer	SL0523-07	1	0.24 [0.11]
F	Torsion Cam	SL0A1274	2	0.37 [0.17]
G	Lock Pin, Hutch Style 1.63" Dia.	SL0A1261	4	2.15 [0.98]
	Lock Pin, All Others 1.38" Dia.	SL0A1238		1.92 [0.87]
H	Compression Spring	XB-SPG-020-35	4	0.25 [0.11]
J	Washer, .50" (Pin Pull Rod)	XB-PW-016-85	8	0.03 [0.01]
K	Pin Pull Rod - 42.0"	SL0A1239-01	4	0.97 [0.44]
	Pin Pull Rod - 48.0"	SL0A1239-02		1.23 [0.56]
	Pin Pull Rod - 54.0"	SL0A1239-03		1.39 [0.63]
L	Bolt, .50" - 13 x 1.25"	XB-HHC-001-33	8	0.11 [0.05]
M	Hold Down Clip	90015150	4	2.30 [1.04]
N	Lock Nut, .50" - 13	XB-SLN-012-42	8	0.03 [0.01]
P	Slider Pad 96.0" Long	XB-SL0A1054	2	1.60 [0.73]
R	Self Tap Screw .31" - 18 x .75"	XB-STS-008-16	16	0.02 [0.01]

ITEM	DESCRIPTION	PART NUMBER	QTY.	WEIGHT LBS. [kg]
1	Straddle Mount Front Hanger	SP0100	2	11.84 [5.37]
2	Straddle Mount Equalizer Hanger	SP0294	2	34.61 [15.70]
3	Straddle Mount Rear Hanger	SP0120	2	8.50 [3.86]
4A	Bolt .63" - 11 x 4.50" LG GR5	XB-SP0050-71	8	0.49 [0.22]
4B	Spacer .63"	XB-SP0145	8	0.10 [0.05]
4C	Lock Nut .63" - 11	XB-SP0012-10	1	0.07 [0.03]
5	Fixed Torque Arm with Bushings-Tandem Axle	SP0143	2	9.40 [4.26]
	Fixed Torque Arm with Bushings - No Hop		1	
6A	Bolt .88" - 14 x 4.75" LG GR 5	XB-SP0050-75	8	1.02 [0.46]
6b	Flange Lock Nut .88" - 14	XB-SP0012-36	8	0.22 [0.10]
7*	Spring Assembly	See Following Pages	4	N/A
8A	U-Bolt .75" Dia. - Tandem Axle	See Following Pages	8	N/A
	U-Bolt .75" Dia. - No-Hop		4	N/A
8A**	U-Bolt .75" Dia. - Rear Axle	See Following Pages	4	N/A
8B	Top Plate	SP0178	4	2.34 [1.06]
8C	Liner	SP0049	4	N/A
8D	Spring Seat Riser - Tandem Axle	See Following Pages	4	N/A
	Spring Seat Riser - No-Hop		2	N/A
8E	Bottom Plate - Tandem Axle	SP0099	4	3.76 [1.71]
	Bottom Plate - No-Hop		2	
8F	Hardened Washer .81" ID x 1.94" OD	XB-SP0016-67	16	0.06 [0.03]
8G	Hex Nut .75" - 16 GR 8	XB-SP0011-44	16	0.11 [0.05]
9A	Bolt 1.00" - 14 x 6.06" LG GR 5	XB-SP0050-73	2	1.61 [0.73]
9B	Flange Lock Nut 1.00" - 14	XB-SP0012-37	2	0.32 [0.15]
10	Equalizer with Bushings	SP0048	2	21.60 [9.80]
11	Adjustable Torque Arm with Bushings - Tandem	SP0123	2	10.20 [4.63]
	Adjustable Torque Arm with Bushings - No Hop		1	
12**	Spring Seat Riser - Rear Axle	See Following Pages	2	N/A
13**	No-Hop Bottom Plate - Rear Axle	SP0170	2	19.30 [8.75]
14**	Adjustable Torque Arm - Rear Axle	SP0169	2	14.03 [6.36]

SINGLE LEAF SPRING TABLE										
#7 Spring	Mounting Height	#8A U-Bolt	#8D/#13* 0.75" Spring Seat Riser	#8D/#13* 1.25" Spring Seat Riser	#8D/#13* 1.75" Spring Seat Riser	#8D/#13* 2.25" Spring Seat Riser	#8D/#13* 2.75" Spring Seat Riser	#8D/#13* 3.25" Spring Seat Riser	#8D/#13* 3.75" Spring Seat Riser	#8D/#13* 4.25" Spring Seat Riser
SP0363	13.25"	XB-SP0074-G XB-SP0074-P*	SP0142-01 SP0172-01*	-	-	-	-	-	-	-
SP0363	13.75"	XB-SP0074-H XB-SP0074-R*	-	SP0142-02 SP0172-02*	-	-	-	-	-	-
SP0363	14.25"	XB-SP0074-J XB-SP0074-S*	-	-	SP0142-03 SP0172-03*	-	-	-	-	-
SP0363	14.75"	XB-SP0074-K XB-SP0074-T*	-	-	-	SP0149-04 SP0172-04*	-	-	-	-
SP0363	15.25"	XB-SP0074-L	-	-	-	-	SP0149-05	-	-	-
SP0360	15.50"	XB-SP0074-G XB-SP0074-P*	SP0142-01 SP0172-01*	-	-	-	-	-	-	-
SP0363	15.75"	XB-SP0074-M	-	-	-	-	-	SP0149-06	-	-
SP0360	16.00"	XB-SP0074-H XB-SP0074-R*	-	SP0142-02 SP0172-02*	-	-	-	-	-	-
SP0363	16.25"	XB-SP0074-P	-	-	-	-	-	-	SP0149-07	-
SP0360	16.50"	XB-SP0074-J XB-SP0074-S*	-	-	SP0142-03 SP0172-03*	-	-	-	-	-
SP0363	16.75"	XB-SP0074-R	-	-	-	-	-	-	-	SP0149-08
SP0360	17.00"	XB-SP0074-K XB-SP0074-T*	-	-	-	SP0149-04 SP0172-04*	-	-	-	-
SP0360	17.50"	XB-SP0074-L	-	-	-	-	SP0149-05	-	-	-
SP0360	18.00"	XB-SP0074-M	-	-	-	-	-	SP0149-06	-	-
SP0360	18.50"	XB-SP0074-P	-	-	-	-	-	-	SP0149-07	-
SP0360	19.00"	XB-SP0074-R	-	-	-	-	-	-	-	SP0149-08

* No Hop components, rear mount.

2-LEAF SPRING TABLE										
#7 Spring	Mounting Height	#8A U-Bolt	#8D/#13* 0.75" Spring Seat Riser	#8D/#13* 1.25" Spring Seat Riser	#8D/#13* 1.75" Spring Seat Riser	#8D/#13* 2.25" Spring Seat Riser	#8D/#13* 2.75" Spring Seat Riser	#8D/#13* 3.25" Spring Seat Riser	#8D/#13* 3.75" Spring Seat Riser	#8D/#13* 4.25" Spring Seat Riser
SP0326	13.25"	XB-SP0074-H XB-SP0074-R*	SP0142-01 SP0172-01*	-	-	-	-	-	-	-
SP0326	13.75"	XB-SP0074-J XB-SP0074-S*	-	SP0142-02 SP0172-02*	-	-	-	-	-	-
SP0325	14.00"	XB-SP0074-H XB-SP0074-R*	-	-	-	-	-	-	-	-
SP0326	14.25"	XB-SP0074-K XB-SP0074-T*	-	-	SP0142-03 SP0172-03*	-	-	-	-	-
SP0325	14.50"	XB-SP0074-J XB-SP0074-S*	-	-	-	-	-	-	-	-
SP0326	14.75"	XB-SP0074-L XB-SP0074-U*	-	-	-	SP0149-04 SP0172-04	-	-	-	-
SP0325	15.00"	XB-SP0074-K XB-SP0074-T*	-	-	-	-	-	-	-	-
SP0326	15.25"	XB-SP0074-M	-	-	-	-	SP0149-05	-	-	-
SP0324 SP0325	15.50"	XB-SP0074-H XB-SP0074-L XB-SP0074-R* XB-SP0074-U*	SP0142-01 SP0172-01*	-	-	SP0149-04 SP0172-04*	-	-	-	-
SP0326	15.75"	XB-SP0074-P	-	-	-	-	-	SP0149-06	-	-
SP0324 SP0325	16.00"	XB-SP0074-J XB-SP0074-M XB-SP0074-S*	-	SP0142-02 SP0172-02*	-	-	SP0149-05	-	-	-
SP0326	16.25"	XB-SP0074-R	-	-	-	-	-	-	SP0149-07	-
SP0324 SP0325	16.50"	XB-SP0074-K XB-SP0074-P XB-SP0074-T*	-	-	SP0142-03 SP0172-03*	-	-	SP0149-06	-	-
SP0326	16.75"	XB-SP0074-S	-	-	-	-	-	-	-	SP0149-08
SP0324 SP0325	17.00"	XB-SP0074-L XB-SP0074-R XB-SP0074-U*	-	-	-	SP0149-04 SP0172-04*	-	-	SP0149-07	-
SP0324 SP0325	17.50"	XB-SP0074-M XB-SP0074-S	-	-	-	-	SP0149-05	-	-	SP0149-08
SP0324	18.00"	XB-SP0074-P	-	-	-	-	-	SP0149-06	-	-
SP0324	18.50"	XB-SP0074-R	-	-	-	-	-	-	SP0149-07	-
SP0324	19.00"	XB-SP0074-S	-	-	-	-	-	-	-	SP0149-08

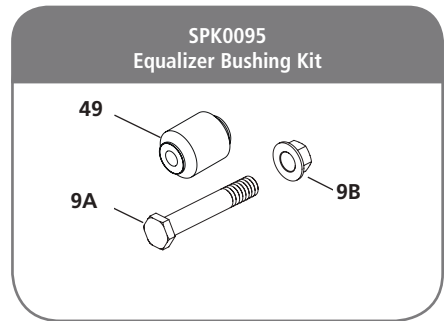
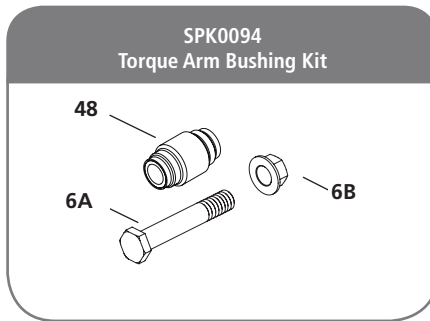
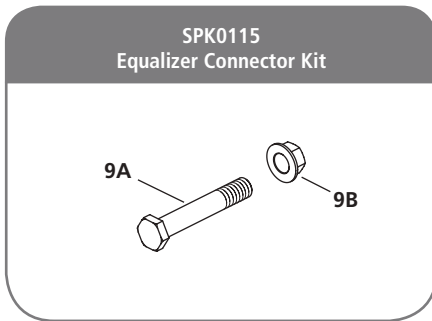
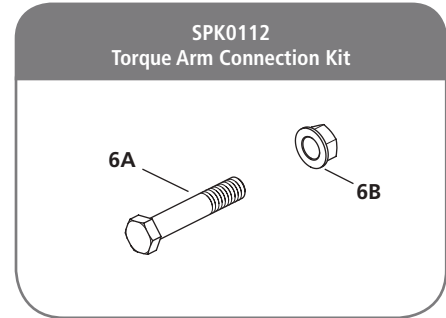
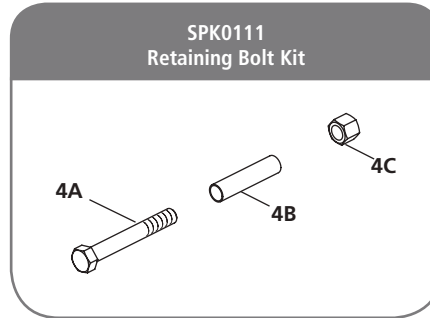
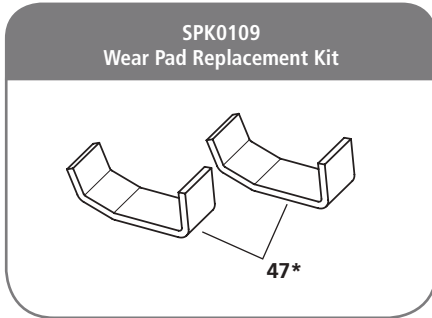
* No Hop components, rear mount.

3-LEAF SPRING TABLE										
#7 Spring	Mounting Height	#8A U-Bolt	#8D/#13* 0.75" Spring Seat Riser	#8D/#13* 1.25" Spring Seat Riser	#8D/#13* 1.75" Spring Seat Riser	#8D/#13* 2.25" Spring Seat Riser	#8D/#13* 2.75" Spring Seat Riser	#8D/#13* 3.25" Spring Seat Riser	#8D/#13* 3.75" Spring Seat Riser	#8D/#13* 4.25" Spring Seat Riser
SP0356	13.25"	XB-SP0074-H XB-SP0074-S*	SP0142-01 SP0172-01*	-	-	-	-	-	-	-
SP0356	13.75"	XB-SP0074-J XB-SP0074-T*	-	SP0142-02 SP0172-02*	-	-	-	-	-	-
SP0355	14.00"	XB-SP0074-J XB-SP0074-S*	SP0142-01 SP0172-01*	-	-	-	-	-	-	-
SP0356	14.25"	XB-SP0074-K XB-SP0074-U*	-	-	SP0142-03 SP0172-03*	-	-	-	-	-
SP0355	14.50"	XB-SP0074-K XB-SP0074-T*	-	SP0142-02 SP0172-02*	-	-	-	-	-	-
SP0356	14.75"	XB-SP0074-L XB-SP0074-V*	-	-	-	SP0149-04 SP0172-04*	-	-	-	-
SP0355	15.00"	XB-SP0074-L XB-SP0074-U*	SP0142-01 SP0172-01*	-	SP0142-03 SP0172-03*	-	-	-	-	-
SP0356	15.25"	XB-SP0074-P	-	-	-	-	SP0149-05	-	-	-
SP0354 SP0355	15.50"	XB-SP0074-J XB-SP0074-M XB-SP0074-S* XB-SP0074-V*	-	-	-	SP0149-04 SP0172-04*	-	-	-	-
SP0356	15.75"	XB-SP0074-R	-	-	-	-	-	SP0149-06	-	-
SP0354 SP0355	16.00"	XB-SP0074-K XB-SP0074-P XB-SP0074-T*	-	SP0142-02 SP0172-02*	-	-	SP0149-05	-	-	-
SP0356	16.25"	XB-SP0074-S	-	-	-	-	-	-	SP0149-07	-
SP0354 SP0355	16.50"	XB-SP0074-L XB-SP0074-R XB-SP0074-U*	-	-	SP0142-03 SP0172-03*	-	-	SP0149-06	-	-
SP0356	16.75"	XB-SP0074-T	-	-	-	-	-	-	-	SP0149-08
SP0354 SP0355	17.00"	XB-SP0074-M XB-SP0074-S XB-SP0074-V*	-	-	-	SP0149-04 SP0172-04*	-	-	SP0149-07	-
SP0354 SP0355	17.50"	XB-SP0074-P XB-SP0074-T	-	-	-	-	SP0149-05	-	-	SP0149-08
SP0354	18.00"	XB-SP0074-R	-	-	-	-	-	SP0149-06	-	-
SP0354	18.50"	XB-SP0074-S	-	-	-	-	-	-	SP0149-07	-
SP0354	19.00"	XB-SP0074-T	-	-	-	-	-	-	-	SP0149-08

* No Hop components, rear mount.

HEAVY DUTY 3-LEAF SPRING TABLE										
#7 Spring	Mounting Height	#8A U-Bolt	#8D/#13* 0.75" Spring Seat Riser	#8D/#13* 1.25" Spring Seat Riser	#8D/#13* 1.75" Spring Seat Riser	#8D/#13* 2.25" Spring Seat Riser	#8D/#13* 2.75" Spring Seat Riser	#8D/#13* 3.25" Spring Seat Riser	#8D/#13* 3.75" Spring Seat Riser	#8D/#13* 4.25" Spring Seat Riser
SP0365-01	13.25"	XB-SP0074-K XB-SP0074-T*	SP0142-01 SP0172-01*	-	-	-	-	-	-	-
SP0365-01	13.75"	XB-SP0074-L XB-SP0074-U*	-	SP0142-02 SP0172-02*	-	-	-	-	-	-
SP0365-01	14.25"	XB-SP0074-M XB-SP0074-V*	-	-	SP0142-03 SP0172-03*	-	-	-	-	-
SP0365-01	14.75"	XB-SP0074-P XB-SP0074-W*	-	-	-	SP0149-04 SP0172-04*	-	-	-	-
SP0365-01	15.25"	XB-SP0074-R	-	-	-	-	SP0149-05	-	-	-
SP0365	15.50"	XB-SP0074-K XB-SP0074-T*	SP0142-01 SP0172-01*	-	-	-	-	-	-	-
SP0365-01	15.75"	XB-SP0074-S	-	-	-	-	-	SP0149-06	-	-
SP0365	16.00"	XB-SP0074-L XB-SP0074-U*	-	SP0142-02 SP0172-02*	-	-	-	-	-	-
SP0365-01	16.25"	XB-SP0074-T	-	-	-	-	-	-	SP0149-07	-
SP0365	16.50"	XB-SP0074-M XB-SP0074-V*	-	-	SP0142-03 SP0172-03*	-	-	-	-	-
SP0365-01	16.75"	XB-SP0074-U	-	-	-	-	-	-	-	SP0149-08
SP0365	17.00"	XB-SP0074-P XB-SP0074-W*	-	-	-	SP0149-04 SP0172-04*	-	-	-	-
SP0365	17.50"	XB-SP0074-R	-	-	-	-	SP0149-05	-	-	-
SP0365	18.00"	XB-SP0074-S	-	-	-	-	-	SP0149-06	-	-
SP0365	18.50"	XB-SP0074-T	-	-	-	-	-	-	SP0149-07	-
SP0365	19.00"	XB-SP0074-U	-	-	-	-	-	-	-	SP0149-08

* No Hop components, rear mount.



ITEM	DESCRIPTION	PART NUMBER	QTY.	WEIGHT LBS. [kg]
4A	Screw,Hex Cap GR-5 5/8-11 Plain	XB-SP0050-71	1	0.49 [0.22]
4B	Sleeve,Spacer	XB-SP0145	1	0.10 [0.05]
4C	Nut,Prev Torque 5/8-11 GR-B PLN&WAX	XB-SP0012-10	1	0.07 [0.03]
6A	Screw,Hex Cap GR-5 7/8-14X4.81 CL 2A PLN	XB-SP0050-75	1	1.02 [0.46]
6B	Nut,Prev Torq 7/8-14 GR-F CL 2B PHS&OL	XB-SP0012-36	1	0.22 [0.10]
9A	Screw,Hex Cap GR-5 1-14X6.06 CL 2A PLN	XB-SP0050-73	1	1.61 [0.73]
9B	Nut,Prev Torq 1-14 GR-F CL 2B PHS&OL	XB-SP0012-37	1	0.32 [0.15]
47*	Pad, Field Replacement	SP0334	2	2.84 [1.29]
48	Bushing, Torque Arm	XB-SP0054-02	1	0.57 [0.26]
49	Bushing, Equalizer	XB-SP0054-05	1	3.20 [1.45]

* Kit contains components for replacement of roadside and curbside rear or front hangers wear pad.
(Not used on under mount front hangers.)

THIS PAGE INTENTIONALLY LEFT BLANK

Z-Frame Mechanical Suspension Parts

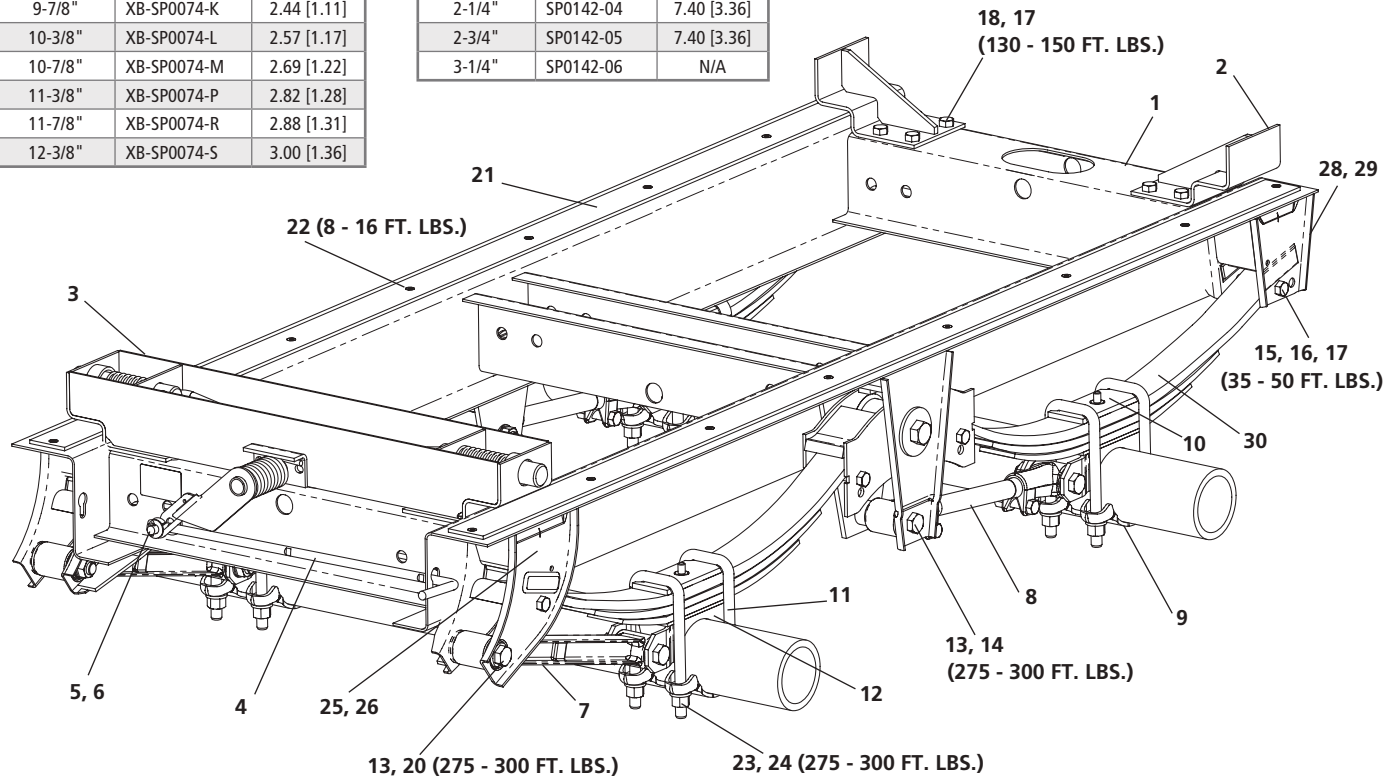
IMPORTANT: Z-Frame Suspension components vary by assembly part number and OEM/Chassis builder specifications. To ensure proper part number identification before placing order, refer to OEM/Chassis builder's specifications or visually check component to be replaced for part number. If part number can not be identified or confirmed please contact Holland technical service for assistance - 800.876.3929.

U-Bolt Chart

LENGTH	PART NUMBER	WEIGHT LBS. [kg]
8-3/8"	XB-SP0074-G	2.07 [0.94]
8-7/8"	XB-SP0074-H	2.19 [1.00]
9-3/8"	XB-SP0074-J	2.32 [1.05]
9-7/8"	XB-SP0074-K	2.44 [1.11]
10-3/8"	XB-SP0074-L	2.57 [1.17]
10-7/8"	XB-SP0074-M	2.69 [1.22]
11-3/8"	XB-SP0074-P	2.82 [1.28]
11-7/8"	XB-SP0074-R	2.88 [1.31]
12-3/8"	XB-SP0074-S	3.00 [1.36]

Seat Riser Chart

LENGTH	PART NUMBER	WEIGHT LBS. [kg]
3/4"	SP0142-01	5.44 [2.47]
1-1/4"	SP0142-02	6.42 [2.91]
1-3/4"	SP0142-03	7.40 [3.36]
2-1/4"	SP0142-04	7.40 [3.36]
2-3/4"	SP0142-05	7.40 [3.36]
3-1/4"	SP0142-06	N/A



Z-Frame Mechanical Suspension Parts List

ITEM	DESCRIPTION	PART NUMBER	QTY.	WEIGHT LBS. [kg]
1	Z-Frame With Hangers	See next page, Chart 1	1	Chart 1
2	Rear Hold Down Assembly	See next page, Chart 2	-	Chart 2
3	Pin Cage Assembly	See next page, Chart 2	-	Chart 2
4	Pull Arm	SL0041-01	1	2.56 [1.16]
5	Cotter Pin	XB-CTP-014-59	1	0.01 [0.005]
6	Washer	XB-PW-016-08	1	0.03 [0.01]
7	Fixed Torque Arm	SP0143	2	9.40 [4.26]
8	Adjustable Torque Arm	SP0123	2	10.20 [4.63]
9	Bottom Plate	SP0099	4	3.76 [1.71]
10	Top Plate	SP0178	4	2.34 [1.06]
11	U-Bolt	See Chart above	8	Chart above
12	Seat Riser	See Chart above	4	Chart above
13	Flange Nut, 7/8"	XB-SP0012-36	8	0.22 [0.10]
14	Screw, Hex Cap, 7/8"-14 x 5-3/4"	XB-SP0050-01	2	1.17 [0.53]
15	Screw, Hex Cap, 5/8"-11 x 4-1/2"	XB-SP0050-71	8	0.49 [0.22]

ITEM	DESCRIPTION	PART NUMBER	QTY.	WEIGHT LBS. [kg]
16	Spacer	XB-SP0145	8	0.10 [0.05]
17	Nut, Hex 5/8"	XB-SP0012-10	24	0.07 [0.03]
18	Screw, Hex Cap, 5/8"-11 x 1-1/2"	XB-SP0050-91	16	0.23 [0.10]
19	Torsion Cam Shaft	See next page, Chart 2	-	Chart 2
20	Screw, Hex Cap, 7/8"-14 x 4-3/4"	XB-SP0050-75	6	1.02 [0.46]
21	Slide Pad	XB-SL0312-01	2	2.40 [1.09]
22	Screw	XB-ST5-008-16	16	0.02 [0.01]
23	Nut, Hex, 3/4"-16	XB-SP0011-44	16	0.11 [0.05]
24	Washer	XB-SP0016-67	16	0.06 [0.03]
25	Front Hanger Roadside	SP0156-02	1	11.90 [5.40]
26	Front Hanger Curbside	SP0156-01	1	11.90 [5.40]
27	Center Hanger	SP0168	2	40.00 [18.14]
28	Rear Hanger Roadside	SP0055-01	1	7.40 [3.36]
29	Rear Hanger Curbside	SP0055-02	1	7.40 [3.36]
30*	Spring	-	-	-

* Supplied by trailer manufacturer.

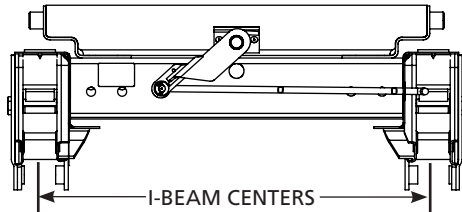


Chart 1

I-BEAM CENTERS	PART NUMBER	WEIGHT LBS. [kg]
36.0"	SL0049	327.00 [148.32]
37.0"	SL0049-03	330.00 [149.69]
38.0"	SL0049-01	332.00 [150.59]
43.0"	SL0049-04	346.00 [156.94]
44.0"	SL0049-02	348.00 [157.85]

4-PIN, Z-FRAME

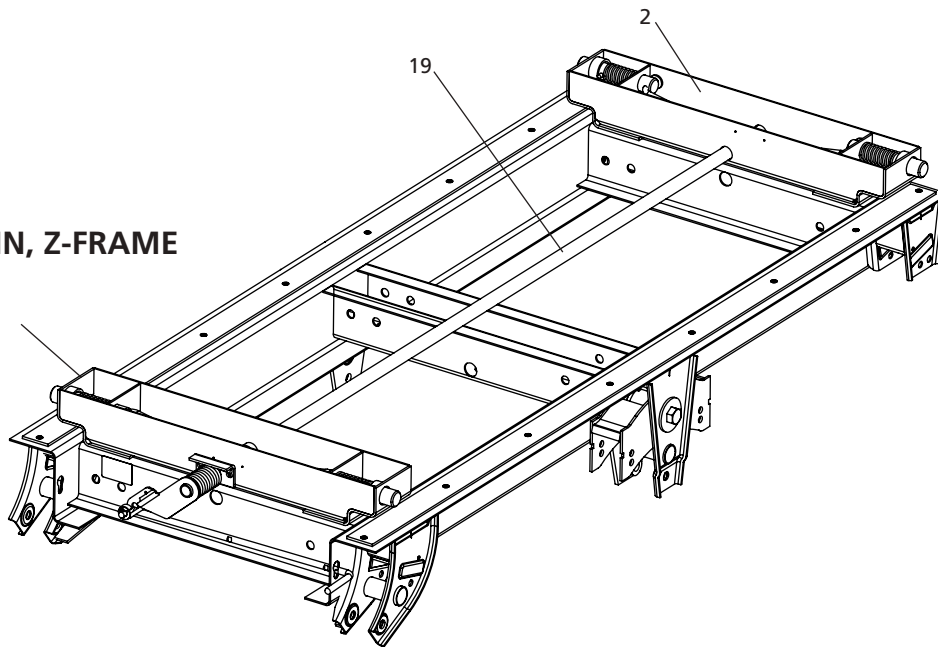
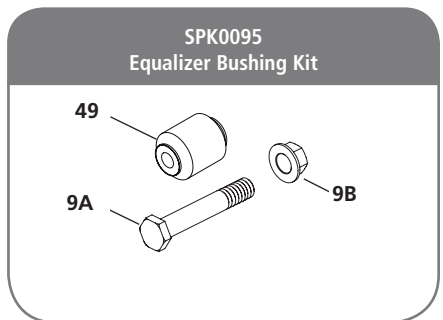
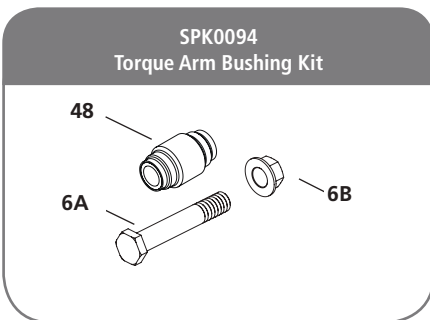
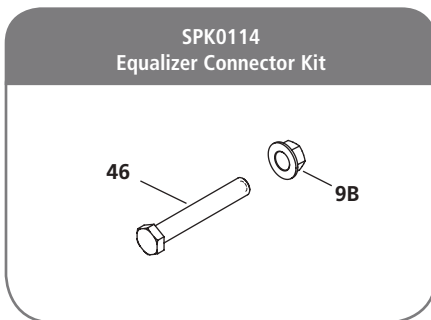
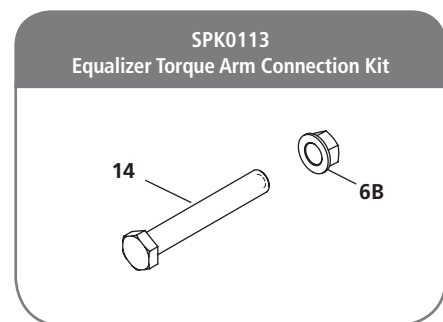
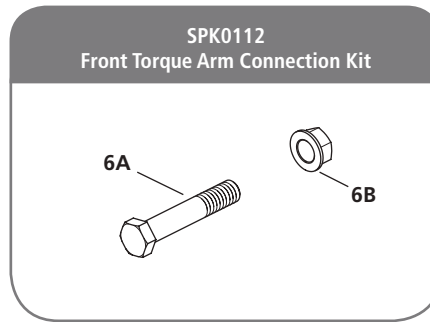
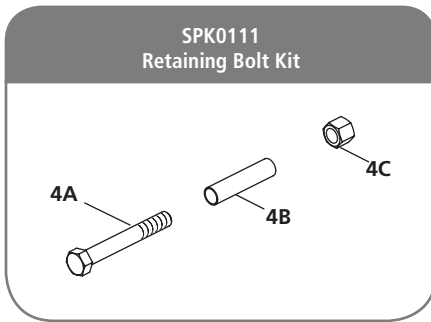


Chart 2

LAST 4 DIGITS OF PART NUMBER	ITEM #2	QTY.	ITEM #2 WEIGHT LBS. [kg]	ITEM #3	QTY.	ITEM #3 WEIGHT LBS. [kg]	ITEM #19	QTY.	ITEM #19 WEIGHT LBS. [kg]
2360	SL0322	2	7.04 [3.19]	SL0318-03	1	52.95 [24.02]	NA	-	NA
2370	SL0042-01	2	7.90 [3.58]	SL0318-04	1	53.46 [24.25]	NA	-	NA
2380	SL0322	2	7.04 [3.19]	SL0318-01	1	53.28 [24.17]	NA	-	NA
2430	SL0042-01	2	7.90 [3.58]	SL0318-05	1	57.77 [26.20]	NA	-	NA
2440	SL0322	2	7.04 [3.19]	SL0318-02	1	57.94 [26.28]	NA	-	NA
4360	SL0062-03	1	54.95 [24.92]	SL0062-03	1	54.95 [24.92]	SL0370-28	1	16.60 [7.53]
4380	SL0062-01	1	56.41 [25.59]	SL0062-01	1	56.41 [25.59]	SL0370-28	1	16.60 [7.53]
4430	SL0062-05	1	60.08 [27.25]	SL0062-05	1	60.08 [27.25]	SL0370-28	1	16.60 [7.53]
4440	SL0062-02	1	61.34 [27.82]	SL0062-02	1	61.34 [27.82]	SL0370-28	1	16.60 [7.53]
2361	SL0071-03	1	38.87 [17.63]	SL0070-03	1	52.95 [24.02]	NA	-	NA
2381	SL0071-02	1	45.04 [20.43]	SL0070-02	1	57.94 [26.28]	NA	-	NA
2441	SL0071-01	1	40.33 [18.29]	SL0070-01	1	53.28 [24.17]	NA	-	NA
4361	SL0069-03	1	49.80 [22.59]	SL0069-03	1	49.80 [22.59]	SL0370-28	1	16.60 [7.53]
4371	SL0069-04	1	55.50 [25.17]	SL0069-04	1	55.50 [25.17]	SL0370-28	1	16.60 [7.53]
4381	SL0069-01	1	54.80 [24.86]	SL0069-01	1	54.80 [24.86]	SL0370-28	1	16.60 [7.53]
4431	SL0069-05	1	51.20 [23.22]	SL0069-05	1	51.20 [23.22]	SL0370-28	1	16.60 [7.53]
4441	SL0069-02	1	50.50 [22.91]	SL0069-02	1	16.60 [7.53]	SL0370-28	1	16.60 [7.53]

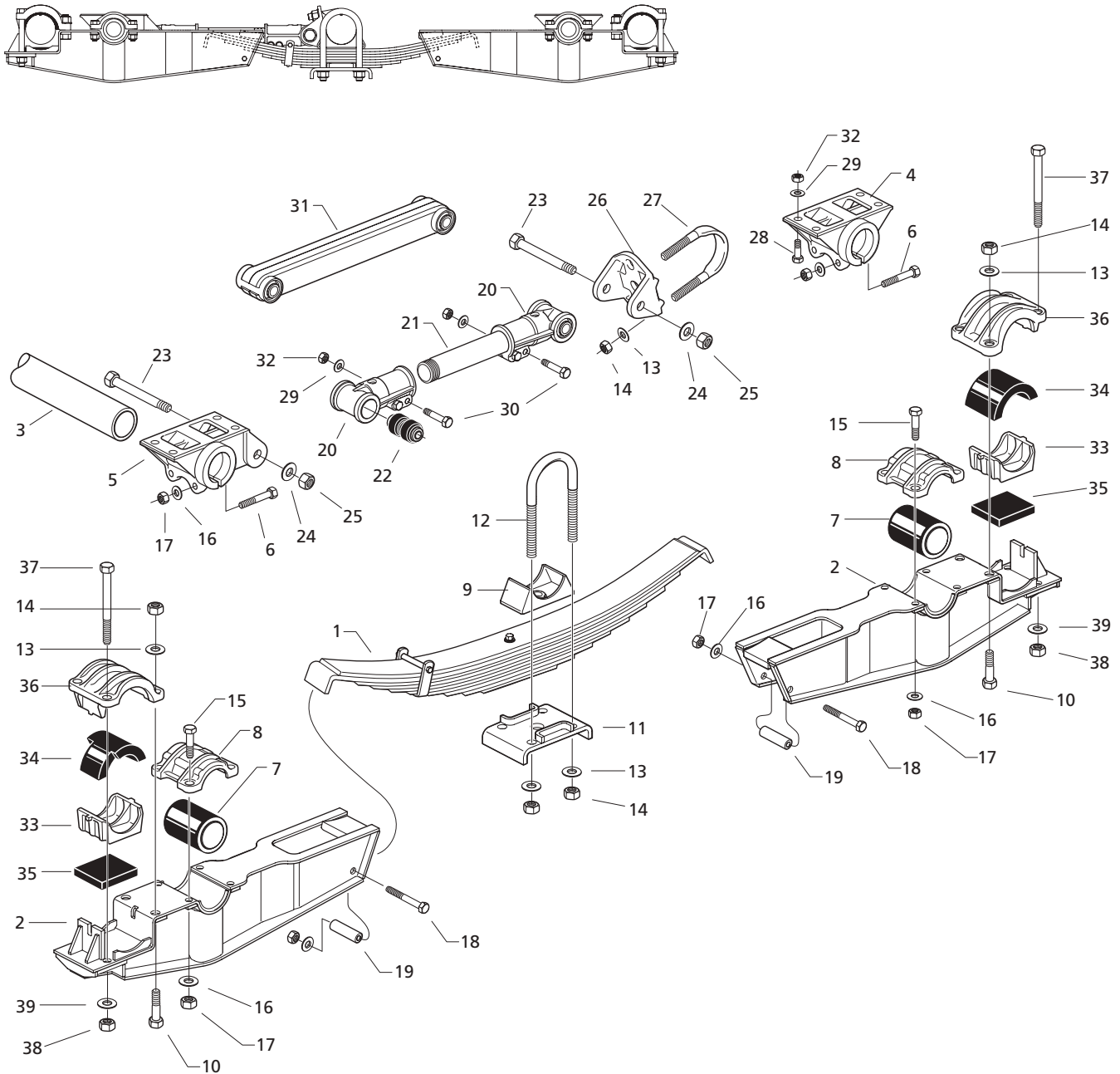
Z-Frame Mechanical Suspension Kits



ITEM	DESCRIPTION	PART NUMBER	QTY.	WEIGHT LBS. [kg]
4A	Screw,Hex Cap GR-5 5/8-11 Plain	XB-SP0050-71	1	0.49 [0.22]
4B	Sleeve,Spacer	XB-SP0145	1	0.10 [0.05]
4C	Nut,Prev Torque 5/8-11 GR-B PLN&WAX	XB-SP0012-10	1	0.07 [0.03]
6A	Screw,Hex Cap GR-5 7/8-14X4.81 CL 2A PLN	XB-SP0050-75	1	1.02 [0.46]
6B	Nut,Prev Torq 7/8-14 GR-F CL 2B PHS&OL	XB-SP0012-36	1	0.22 [0.10]
9B	Nut,Prev Torq 1-14 GR-F CL 2B PHS&OL	XB-SP0012-37	1	0.32 [0.15]
14	Screw,Hex Cap GR-5 7/8-14 CL-2A	XB-SP0050-01	1	1.17 [0.53]
46	Screw,Hex Cap GR-5 1-14X6.50 CL 2A PLN	XB-SP0050-97	1	1.71 [0.78]
48	Bushing, Torque Arm	XB-SP0054-02	1	0.57 [0.26]
49	Bushing, Equalizer	XB-SP0054-05	1	3.20 [1.45]

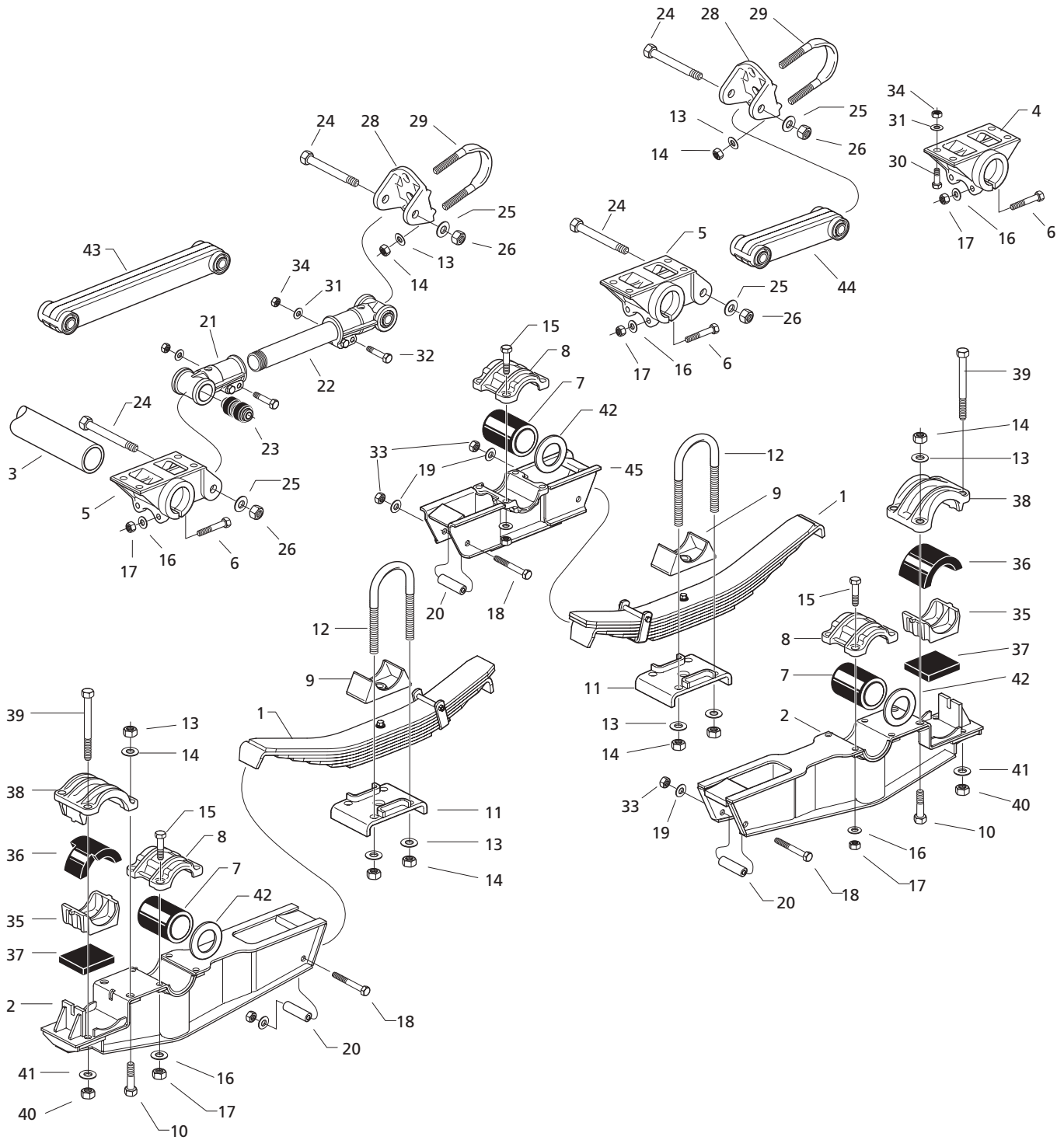
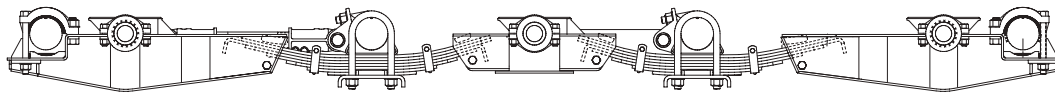
THIS PAGE INTENTIONALLY LEFT BLANK

TR-8750/8900 Series Mechanical Suspension Exploded View



ITEM	DESCRIPTION	PART NUMBER	QTY REQD	MODEL	WEIGHT LBS. [kg]
1	Spring Assembly	91557172	2	All	112.00 [50.80]
2	Equalizing Beam for 5" Dia. Rd. Axles	91015015	4	All	97.90 [44.41]
	Equalizing Beam for 5-3/4" Dia. Rd. Axles	91515011	4	All	98.90 [44.86]
3	Trunnion Tube 3-1/2" O.D. x 1/2" Wall x 44-1/4" Long H.T.	91038290	2	All	59.00 [26.76]
4	Trunnion Clamp Rear	91501011	2	All	27.10 [12.29]
5	Trunnion Clamp-Front (Left Hand)	91518040	1	All	32.60 [14.79]
	Trunnion Clamp-Front (Right Hand)	91518041	1	All	32.60 [14.79]
6	Cap Screw 3/4"-10 x 4.5" Long, Gr5	93003621	8	All	1.00 [0.50]
7	Trunnion Bushing - Rubber	91008112	4	TR-9750	1.20 [0.54]
	Trunnion Bushing - Polyurethane	90008011	4	TR-8900	1.56 [0.71]
8	Trunnion Cap	91010157	4	All	7.40 [3.36]
9	Axle Spring Seat, Center Axle, for 5" Dia. Rd. Axle	91001075	2	All	5.32 [2.41]
	Axle Spring Seat, Center Axle, for 5-3/4" Dia. Rd. Axle	91001073	2	All	4.20 [1.91]
10	Cap Screw for 1"-8 x 3-1/2", Gr5 for 5" Dia. Rd. Axles	93004239	8	All	0.98 [0.44]
	Cap Screw 1"-8 x 4-1/2", Gr8 for 5-3/4" Dia. Rd. Axles	93004251	8	All	1.10 [0.50]
11	Spring Clamp Plate for 5" Dia. Rd. Axles	91010108	2	All	12.50 [5.67]
	Spring Clamp Plate for 5-3/4" Dia. Rd. Axles	91010093	2	All	9.00 [4.08]
12	U-Bolt 1"-8 x 11-1/2", Gr8 for 5" Dia. Rd. Axles	90041326	4	All	10.20 [4.63]
	U-Bolt 1"-8 x 12", Gr8 for 5-3/4" Dia. Rd. Axles	90042814	4	All	5.35 [2.43]
13	Flat Washer 1"	93900027	20	All	0.04 [0.02]
14	Lock Nut 1"-8, GrC	93400502	20	All	0.34 [0.15]
15	Cap Screw 3/4"-10 x 2-3/4", Gr5	93003579	16	All	0.43 [0.20]
16	Flat Washer 3/4"	93600156	32	All	0.04 [0.02]
17	Lock Nut 3/4"-10, GrB	93400492	28	All	0.13 [0.06]
18	Cap Screw 3/4"-10 x 6", Gr5	93403657	4	All	N/A
19	Pipe Spacer	91036078	4	All	0.36 [0.16]
20	Radius Rod End (Right Hand) includes item 22	91544138	1	All	18.80 [8.53]
	Radius Rod End (Left Hand) includes item 22	91544137	1	All	18.80 [8.53]
21	Radius Rod Screw	91038475	1	All	13.80 [6.26]
22	Rubber Bushing	90008131	4	All	0.80 [0.36]
23	Rod Bolt 1-1/8"-7 x 8-1/2"	93201051	4	All	2.80 [1.27]
24	Flat Washer 1-1/8"	93600174	8	All	0.11 [0.05]
25	Lock Nut 1-1/8"-7, GrC	93400506	4	All	0.38 [0.17]
26	Radius Rod Axle Bracket	91018039	2	All	12.20 [5.53]
27	U-Bolt 1"-8 x 7-1/2", Gr8 for 5" Dia. Rd. Axles	90041807	2	All	3.42 [1.55]
	U-Bolt 1"-8 x 8", Gr8 for 5-3/4" Dia. Rd. Axles	90041842	2	All	3.68 [1.67]
28	Cap Screw 5/8"-11 x 2", Gr5	93003345	16	All	0.33 [0.15]
29	Flat Washer 5/8"	93900025	20	All	0.02 [0.01]
30	Cap Screw 5/8"-11 x 3-3/4", Gr5	93003387	4	All	0.37 [0.17]
31	Radius Rod, Fixed (includes 2 of item 22)	91544147	1	All	24.80 [11.25]
32	Crown Lock Nut 5/8"-11, GrB	93400488	20	All	0.07 [0.03]
33	Axle Adapter for 5" Dia. Rd. Axles	91001089	4	All	6.00 [2.72]
	Axle Adapter for 5-3/4" Dia. Rd. Axles	91001120	4	All	5.20 [2.36]
34	Rubber Wrapper, End Axles for 5" Dia. Rd. Axle	91028051	4	All	1.10 [0.50]
	Rubber Wrapper, End Axles for 5-3/4" Dia. Rd. Axle	91028053	4	All	0.60 [0.27]
35	Rubber Pad	91028089	4	All	0.70 [0.32]
36	Axle Cap for 5" Dia. Rd. Axle	91010060	4	All	13.80 [6.26]
	Axle Cap for 5-3/4" Dia. Rd. Axle	91010059	4	All	16.60 [7.53]
37	Cap Screw 7/8"-9 x 9", Gr8	93003941	8	All	1.65 [0.75]
38	Lock Nut 7/8"-9, GrC	93400498	8	All	0.17 [0.08]
39	Flat Washer 7/8"	93600162	8	All	0.06 [0.03]

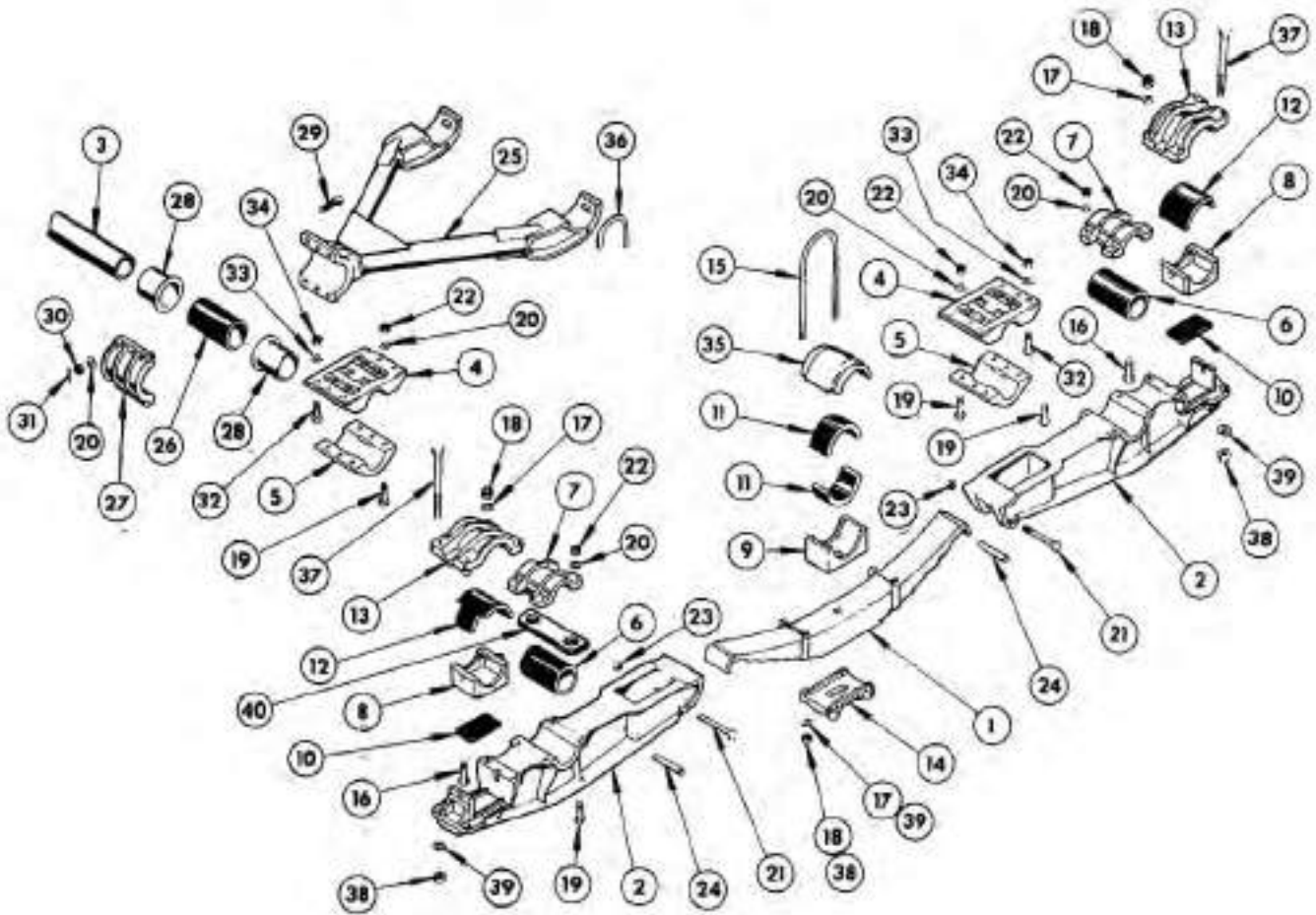
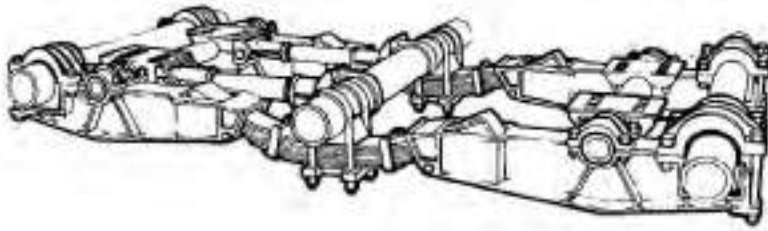
TR-4100/4120 Series Mechanical Suspension Exploded View



ITEM	DESCRIPTION	PART NUMBER	QTY REQD	MODEL	WEIGHT LBS. [kg]
1	Spring Assembly	91557288	4	All	126.00 [57.15]
2	Equalizing Beam for 5" Rd. Axles	91015015	4	All	97.90 [44.41]
	Equalizing Beam for 5-3/4" Rd. Axles	91515011	4	All	98.90 [44.86]
3*	Trunnion Tube 3-1/2" O.D. x 1/2" Wall x 44-1/4" Long H.T.	91038290	3	All	59.00 [26.76]
4	Trunnion Clamp Rear	91501011	2	All	27.10 [12.29]
5	Trunnion Clamp-Front & Center Trunnion (Left Hand)	91518040	2	All	32.60 [14.79]
	Trunnion Clamp-Front & Center Trunnion (Right Hand)	91518041	2	All	32.60 [14.79]
6	Cap Screw 3/4"-10 x 4-1/2"	93003621	12	All	1.00 [0.50]
7	Trunnion Bushing - Rubber	90009011	2	TR-4100	N/A
	Trunnion Bushing - Polyurethane	91008112	2	TR-4120	1.20 [0.54]
8	Trunnion Rubber Cap	91010157	6	All	7.40 [3.36]
9	Axle Spring Seat for 5" Rd. Axles	91001075	4	All	5.32 [2.41]
	Axle Spring Seat for 5-3/4" Rd. Axles	91001073	4	All	4.20 [1.91]
10	Cap Screw 1"-8 x 4" for 5-3/4" Rd. Axles	93004253	8	All	2.30 [1.04]
	Cap Screw 1"-8 x 3-1/2" for 5" Rd. Axles	93004241	8	All	1.00 [0.45]
11	Spring Clamp Plate for 5" Rd. Axles	91010108	4	All	12.50 [5.67]
	Spring Clamp Plate for 5-3/4" Rd. Axles	91010093	4	All	9.00 [4.08]
12	U-Bolt 1"-8 for 5" Rd. Axles	90041326	8	All	10.20 [4.63]
	U-Bolt 1"-8 for 5-3/4" Rd. Axles	90042814	8	All	5.35 [2.43]
13	Flat Washer 1"	93900027	32	All	0.04 [0.02]
14	Lock Nut 1"-8	93400502	32	All	0.34 [0.15]
15	Cap Screw 3/4"-10 x 3"	93003585	24	All	0.46 [0.21]
16	Flat Washer 3/4"	93600156	36	All	0.04 [0.02]
17	Lock Nut 3/4"-10 GRC	93400494	44	All	0.11 [0.05]
18	Cap Screw 3/4"-10 x 6"	93003657	8	All	0.82 [0.37]
19	Flat Washer 3/4"	93600156	8	All	0.04 [0.02]
20	Pipe Spacer	91036078	8	All	0.36 [0.16]
21	Radius Rod End (Right Hand) includes item 23	91544138	1	All	18.80 [8.53]
	Radius Rod End (Left Hand) includes item 23	91544137	1	All	18.80 [8.53]
22	Radius Rod Screw	91038475	1	All	13.80 [6.26]
23	Rubber Bushing	90008131	8	All	0.80 [0.36]
24	Rod Bolt 1-1/8"-7 x 8-1/8"	93201051	8	All	2.80 [1.27]
25	Flat Washer 1-1/8"	93600174	16	All	0.11 [0.05]
26	Lock Nut 1-1/8"-7	93400506	8	All	0.38 [0.17]
28	Radius Rod Axle Bracket	91018039	4	All	12.20 [5.53]
29	U-Bolt 1"-8 for 5" Rd. Axles	90041807	4	All	3.42 [1.55]
	U-Bolt 1"-8 for 5-3/4" Rd. Axles	90041842	4	All	3.68 [1.67]
30	Cap Screw 5/8"-11 x 2"	93003347	24	All	0.26 [0.12]
31	Flat Washer 5/8"	93900025	28	All	0.02 [0.01]
32	Cap Screw 5/8"-11 x 3-3/4"	93003387	4	All	0.37 [0.17]
33	Hex Lock Nut 3/4"-10	93400492	8	All	0.13 [0.06]
34	Crown Lock Nut 5/8"-11	93400490	28	All	0.07 [0.03]
35	Axle Adapter for 5" Rd. Axles	91001089	4	All	6.00 [2.72]
	Axle Adapter for 5-3/4" Rd. Axles	91001120	4	All	5.20 [2.36]
36	Rubber Wrapper for 5" Rd. Axles	91028051	4	All	1.10 [0.50]
	Rubber Wrapper for 5-3/4" Rd. Axles	91028053	4	All	0.60 [0.27]
37	Rubber Pad Lower	91028089	4	All	0.70 [0.32]
38	Axle Cap for 5" Rd. Axles	91010060	4	All	13.80 [6.26]
	Axle Cap for 5-3/4" Rd. Axles	91010059	4	All	16.60 [7.53]
39	Cap Screw 7/8"-9 x 9"	93003941	8	All	1.65 [0.75]
40	Lock Nut 7/8"-9	93400498	8	All	0.17 [0.08]
41	Flat Washer 7/8"	93600162	8	All	0.06 [0.03]
42	Washer	93600035	6	All	1.00 [0.45]
43	Radius Rod - Fixed (includes 2 of item 23) (2nd Axle)	91544147	1	All	24.80 [11.25]
44	Radius Rod - Fixed (includes 2 of item 23) (2nd Axle)	91544167	2	All	15.60 [7.08]
45	TR Equalizer Beam Assembly	91515123	2	All	44.00 [19.96]

*36" Sp. C.

T-8750, T-8900 Tri-Axle Spring Exploded View

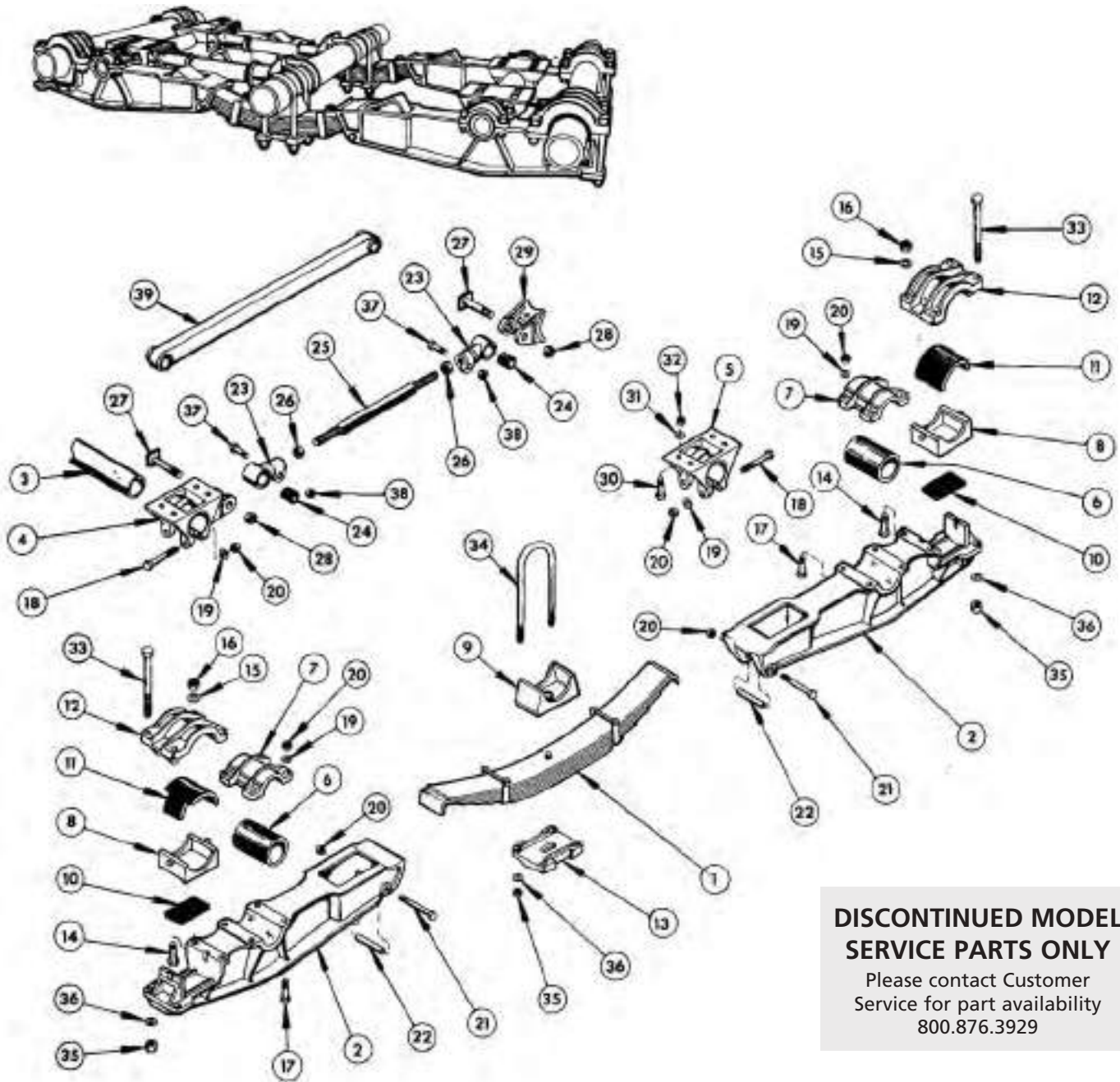


DISCONTINUED MODEL SERVICE PARTS ONLY

Please contact Customer Service for part availability
800.876.3929

SERVICE COMPONENTS					
ITEM	DESCRIPTION	PART NUMBER	QTY REQD	MODEL	WEIGHT LBS. [kg]
1	Spring Assembly	91557172	2	All	112.00 [50.80]
2	Equalizing Beam (5" Round)	91015015	4	All	97.90 [44.41]
	Equalizing Beam (5-3/4" Round)	91515011	4	All	98.90 [44.86]
3	Trunnion Tube 3-1/2" OD x 1/2" Wall x 44-1/4" HT (Other Sizes Available)	91038290	2	All	59.00 [26.76]
4	Trunnion Clamp	91001002	2	All	N/A
5	Trunnion Clamp Cap	91010020	1	All	N/A
6	Rubber Trunnion Bushing	90008011	4	T-8750	1.56 [0.71]
	Polyurethane Trunnion Bushing	91008112	4	T-8900	1.20 [0.54]
7	Trunnion Rubber Cap	90010009	4	All	7.13 [3.23]
8	Axle Adapter (5" Round)	91001094	4	All	6.28 [2.85]
	Axle Adapter (5-3/4" Round)	91001120	4	All	5.20 [2.36]
9	Axle Spring Seat (5" Round)	91001080	2	All	14.00 [6.35]
	Axle Adapter (5-3/4" Round)	91001120	2	All	5.20 [2.36]
10	Rubber Pad (5" Round)	91028089	4	All	0.70 [0.32]
	Rubber Pad (5-3/4" Round)	91028075	4	All	0.50 [0.23]
11	Rubber Wrapper (5" Round)	91028039	4	All	1.20 [0.54]
	Rubber Wrapper (5-3/4" Round)	91028040	4	All	1.10 [0.50]
12	Rubber Wrapper (5" Round)	91028051	4	All	1.10 [0.50]
	Rubber Wrapper (5-3/4" Round)	91028053	4	All	0.60 [0.27]
13	Axle Cap (5" Round)	91010061	4	All	14.00 [6.35]
	Axle Cap (5-3/4" Round)	91010059	4	All	16.60 [7.53]
14	Spring Clamp	91031054	2	All	N/A
15	U-Bolt 1-8 x 14" Gr8	90041430	4	All	6.26 [2.84]
16	Cap Screw 1-8 x 3-1/2" Gr5 (5" Round)	93004239	8	All	0.98 [0.44]
	Cap Screw 1-8 x 4" Gr5 (5-3/4" Round)	93004251	8	All	1.10 [0.50]
17	Washer 1"	93900027	8	All	0.04 [0.02]
18	Lock Nut 1-8 GrC	93400502	8	All	0.34 [0.15]
19	Cap Screw 3/4-10 x 3" Gr5	93003585	40	All	0.46 [0.21]
20	Washer 3/4"	93600005	92	All	0.04 [0.02]
21	Cap Screw 3/4-10 x 6" G55	93003657	4	All	0.82 [0.37]
22	Lock Nut 3/4-10 GrC	93400494	40	All	0.11 [0.05]
23	Hex Nut 3/4-16 GrB	93400149	4	All	0.12 [0.05]
24	Pipe Spacer	91036078	4	All	0.36 [0.16]
25*	Drag Yoke Assembly	N/A	1	All	N/A
26	Drag Yoke Rubber Bushing	91008024	1	All	2.00 [0.91]
27	Drag Yoke Cap	91010062	1	All	9.10 [4.13]
28	Drag Yoke Spacer	91036010	2	All	0.47 [0.21]
29	Cap Screw 3/4-10 x 2-1/2" Gr8	93003575	6	All	0.46 [0.21]
30*	Nut 3/4-16	N/A	6	All	N/A
31*	Cotter Pin 1/8" x 1-1/2"	N/A	6	All	N/A
32*	Cap Screw 5/8-18 x 2"	N/A	24	All	N/A
33	Washer 5/8"	93900025	48	All	0.02 [0.01]
34	Lock Nut 5/8-11 GrB	93400488	24	All	0.07 [0.03]
35	Axle Cap (5" Round)	91010058	2	All	12.00 [5.44]
	Axle Cap (5-3/4" Round)	91010063	2	All	N/A
36	Axle Collar (5" Round)	90023044	2	All	1.00 [0.45]
	Axle Collar (5-3/4" Round)	90023046	2	All	N/A
37	Cap Screw 7/8-9 x 9" Gr8	93003941	8	All	1.65 [0.75]
38	Lock Nut 7/8-9 GrC	93400498	8	All	0.17 [0.08]
39	Washer 7/8"	93600162	8	All	0.06 [0.03]
40	Trunnion Cap Spacer	91036001	8	T-8900	0.40 [0.18]
SERVICE REPAIR KITS					
	SRK-38 - Trunnion and End Axle Connection (5" Round)	48100035	-	-	25.00 [11.34]

NOTE: Spring Assemblies should be replaced in pairs.



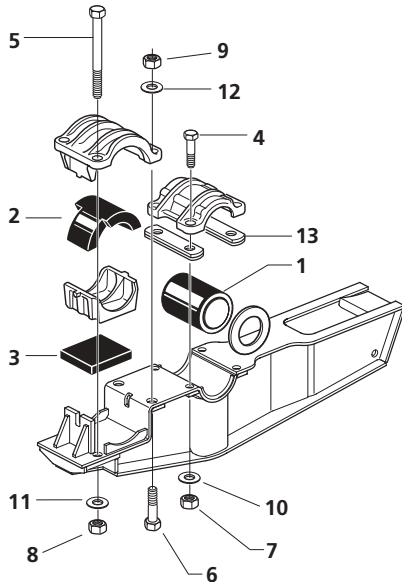
**DISCONTINUED MODEL
SERVICE PARTS ONLY**
Please contact Customer Service for part availability
800.876.3929

SERVICE COMPONENTS					
ITEM	DESCRIPTION	PART NUMBER	QTY REQD	MODEL	WEIGHT LBS. [kg]
1	Spring Assembly	91557175	2	T-8540, TR-8540	112.00 [50.80]
	Spring Assembly	91557172	2	TR-8600	112.00 [50.80]
2	Equalizing Beam	91015015	4	All	97.90 [44.41]
3	Trunnion Tube 3-1/2" OD x 1/2" Wall x 44-1/4" HT (Other Sizes Avail.)	91038290	2	All	59.00 [26.76]
4	Trunnion Clamp and Radius Rod Casting - Front	91001088	2	All	20.00 [9.07]
5	Trunnion Clamp Casting - Rear	91001066	2	All	17.00 [7.71]
6	Rubber Trunnion Bushing	90008011	4	All	1.56 [0.71]

SERVICE COMPONENTS					
ITEM	DESCRIPTION	PART NUMBER	QTY REQD	MODEL	WEIGHT LBS. [kg]
7	Trunnion Rubber Cap Casting	90010009	4	T-8540	7.13 [3.23]
	Trunnion Rubber Cap Casting	91010157	4	TR-8540, TR-8600	7.40 [3.36]
8	Axle Adapter	91001089	4	All	6.00 [2.72]
9	Axle Spring Seat	91001075	2	All	5.32 [2.41]
10	Spring End Rubber Pad	91028075	4	T-8540	0.50 [0.23]
	Spring End Rubber Pad	91028089	4	TR-8540, TR-8600	0.70 [0.32]
11	Rubber Wrapper	91028051	4	All	1.10 [0.50]
12	Axle Cap	91010060	4	All	13.80 [6.26]
13	Spring Clamp Casting	91010108	2	All	12.50 [5.67]
14	Cap Screw 1-8 x 3-1/2" Gr5	93004239	8	All	0.98 [0.44]
15	Washer 1"	93900027	8	All	0.04 [0.02]
16	Lock Nut 1-8 GrC	93400502	8	All	0.34 [0.15]
17	Cap Screw 3/4-10 x 2-1/2" Gr8	93003575	16	All	0.46 [0.21]
18	Cap Screw 3/4-10 x 5" Gr8	93003635	8	All	1.00 [0.50]
19	Washer 3/4"	93600005	48	T-8540	0.04 [0.02]
	Washer 3/4"	93600156	32	TR-8540, TR-8600	0.04 [0.02]
20	Lock Nut 3/4-10 GrB	93400492	28	All	0.13 [0.06]
21	Cap Screw 3/4-10 x 6" Gr5	93003657	4	All	0.82 [0.37]
22	Pipe Spacer	91036078	4	All	0.36 [0.16]
23	Radius Rod End - Adjustable LH (Includes Key #24)	91544002	2	T-8540	5.00 [2.27]
			1	TR-8540, TR-8600	
	Radius Rod End - Adjustable RH (Includes Key #24)	91544003	2	T-8540	5.00 [2.27]
			1	TR-8540, TR-8600	
24	Rubber Bushing	91008007	4	All	0.90 [0.41]
25	Radius Rod 1-1/4-7 x 21-3/4"	91506003	2	T-8540	11.00 [5.00]
	Radius Rod 1-1/4-7 x 21-3/4"	91506003	1	TR-8540, TR-8600	11.00 [5.00]
26	Jam Nut 1-1/4-7 LH GrB	93400036	2	T-8540	0.29 [0.13]
	Jam Nut 1-1/4-7 LH GrB	93400036	1	TR-8540, TR-8600	0.29 [0.13]
	Jam Nut 1-1/4-7 RH GrB	93400284	2	T-8540	0.40 [0.18]
	Jam Nut 1-1/4-7 RH GrB	93400284	1	TR-8540, TR-8600	0.40 [0.18]
27	Radius Rod Bolt 1-1/4-7	93900009	4	All	2.48 [1.12]
28	Lock Nut 1-1/4-7 GrB	93400569	4	All	0.30 [0.14]
29	Radius Rod Axle Bracket	91018005	2	All	5.00 [2.27]
30	Cap Screw 5/8-11 x 2" Gr5	93003345	16	All	0.33 [0.15]
31	Washer 5/8"	93900025	16	All	0.02 [0.01]
32	Lock Nut 5/8-11 GrB	93400488	16	All	0.07 [0.03]
33	Cap Screw 7/8-9 x 9" Gr8	93003941	8	All	1.65 [0.75]
34	U-Bolt 7/8-9 x 11" Gr8	90041170	4	TR-8540, TR-8600	3.75 [1.70]
	U-Bolt 7/8-9 x 11-1/2" Gr8	90042106	4	T-8540	N/A
35	Lock Nut 7/8-9 GrC	93400498	16	All	0.17 [0.08]
36	Washer 7/8"	93600162	16	All	0.06 [0.03]
37	Cap Screw 1/2-13 x 2" Gr8	93002921	4	T-8540	0.13 [0.06]
	Cap Screw 1/2-13 x 2" Gr8	93002921	2	TR-8540, TR-8600	0.13 [0.06]
38	Lock Nut 1/2-13 GrB	93400482	4	T-8540	0.04 [0.02]
	Lock Nut 1/2-13 GrB	93400482	2	TR-8540, TR-8600	0.04 [0.02]
39	Radius Rod -Fixed (Includes Key #24)	91544149	1	TR-8540, TR-8600	19.60 [8.89]
SERVICE REPAIR KITS					
	SRK-38 - Trunnion and End Axle Connection (5" Round)	48100035	1	T-8540	25.00 [11.34]
	SRK-39 - Radius Rod Bushing	48100050	1	All	15.00 [6.80]
	SRK-97 - Polyurethane Trunnion and End Axle Connection (5" Round)	48100145	2	TR-8540, TR-8600	25.00 [11.34]

NOTE: Spring Assemblies should be replaced in pairs.

5" Dia. Round Axle



SRK-134

Axle Pads & Trunnion Bushing Replacement

48100188

ITEM	DESCRIPTION	PART NUMBER	QTY	WEIGHT LBS. [kg]
1	Trunnion Bushing - Polyurethane	91008112	2	1.20 [0.54]
2	Rubber Wrapper	91028051	2	1.10 [0.50]
3	Rubber Pad	91028089	2	0.70 [0.32]
4	Cap Screw, 3/4" -10 x 3", GrB	93003585	8	0.46 [0.21]
5	Cap Screw, 7/8" - 9 x 9", Gr8	93003941	4	1.65 [0.75]
6	Cap Screw, 1" -8 x 3-1/2", Gr5	93004239	4	0.98 [0.44]
7	Lock Nut, 3/4" -10, GrC	93400494	8	0.11 [0.05]
8	Lock Nut, 7/8" -9, GrC	93400498	4	0.17 [0.08]
9	Lock Nut, 1" -8, GrC	93400502	4	0.34 [0.15]
10	Washer, 3/4"	93600156	8	0.04 [0.02]
11	Washer, 7/8"	93600162	4	0.06 [0.03]
12	Washer, 1"	93900027	4	0.04 [0.02]
13*	Spacer	91036001	4	0.40 [0.18]
	Literature Instruction	XL-MS195	1	N/A

Used on all TR models, 5" round axles.

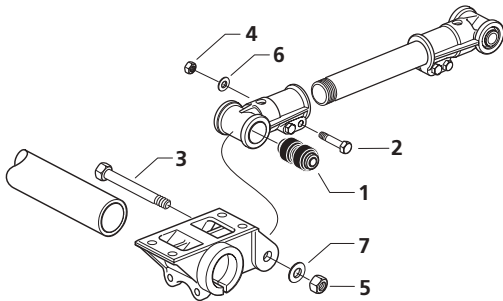
* Spacer (910 36 001) not required for fabricated beam made after 1981.

NOTE: One (1) SRK required per axle.

SRK-98

Radius Rod Bushing Replacement

48100146

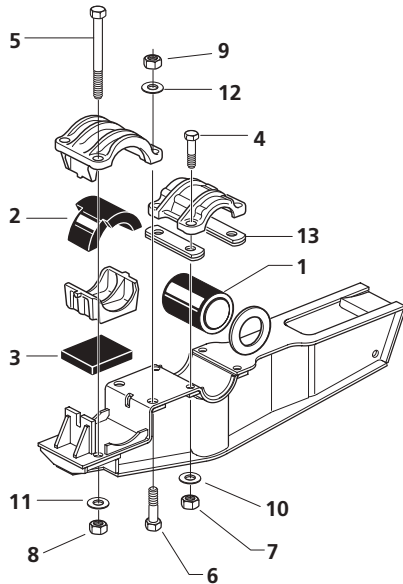


ITEM	DESCRIPTION	PART NUMBER	QTY	WEIGHT LBS. [kg]
1	Rubber Bushing	90008131	4	0.80 [0.36]
2	Hex Head Bolt, 5/8" -11 x 3-1/4"	93003387	8	0.37 [0.17]
3	Rod Bolt, 1-1/8" -7 x 8-1/2"	93201051	4	2.80 [1.27]
4	Lock Nut, 5/8" -11	93400488	8	0.07 [0.03]
5	Lock Nut, 1-1/8" -7	93400506	4	0.38 [0.17]
6	Washer, 5/8"	93600150	8	0.03 [0.01]
7	Washer, 1-1/8"	93600174	4	0.11 [0.05]

Used on all models except TR-8540 and TR-8600.

NOTE: One (1) pair of radius rods.

5" Dia. Round Axle



SRK-100

Axle Pads & Trunnion Bushing Replacement

48100149

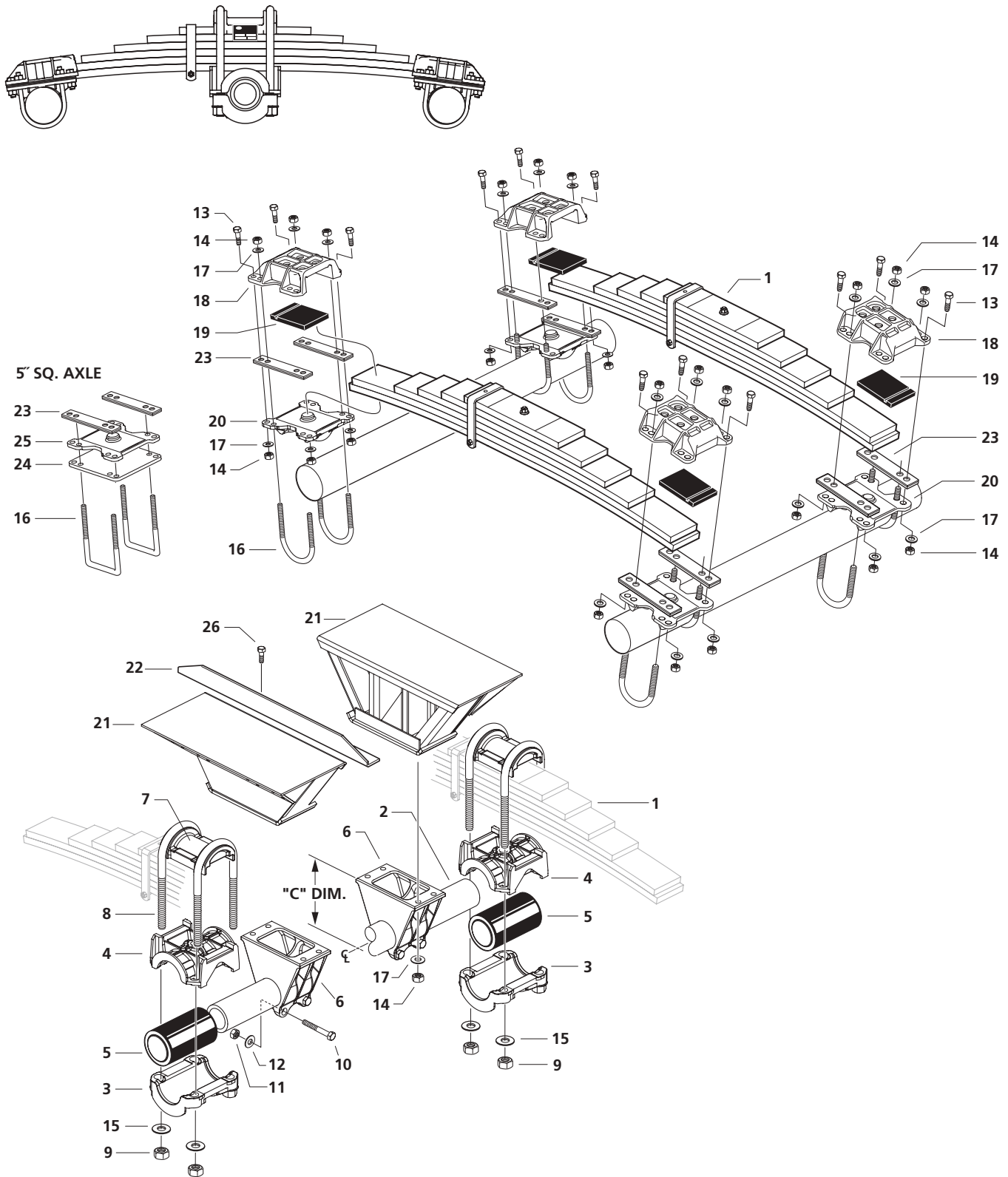
ITEM	DESCRIPTION	PART NUMBER	QTY	WEIGHT LBS. [kg]
1	Trunnion Bushing - Polyurethane	91008112	2	1.20 [0.54]
2	Rubber Wrapper	91028053	2	0.60 [0.27]
3	Rubber Pad	91028089	2	0.70 [0.32]
4	Cap Screw, 3/4" -10 x 2-3/4", Gr5	93003579	8	0.43 [0.20]
5	Cap Screw, 7/8" - 9 x 9", Gr8	93003941	4	1.65 [0.75]
6	Cap Screw, 1" -8 x 4"	93004251	4	1.10 [0.50]
7	Lock Nut, 3/4" -10	93400492	8	0.13 [0.06]
8	Lock Nut, 7/8" -9	93400498	4	0.17 [0.08]
9	Lock Nut, 1" -8	93400502	4	0.34 [0.15]
10	Washer, 3/4"	93600156	8	0.04 [0.02]
11	Washer, 7/8"	93600162	4	0.06 [0.03]
12	Washer, 1"	93900027	4	0.04 [0.02]
13*	Spacer	91036001	4	0.40 [0.18]

Used on all TR models, 5-3/4" round axles.

* Not required for fabricated beam made after 1981.

NOTE: One (1) SRK required per axle.

TS-4440, TS-5500, TS-5600 Exploded View



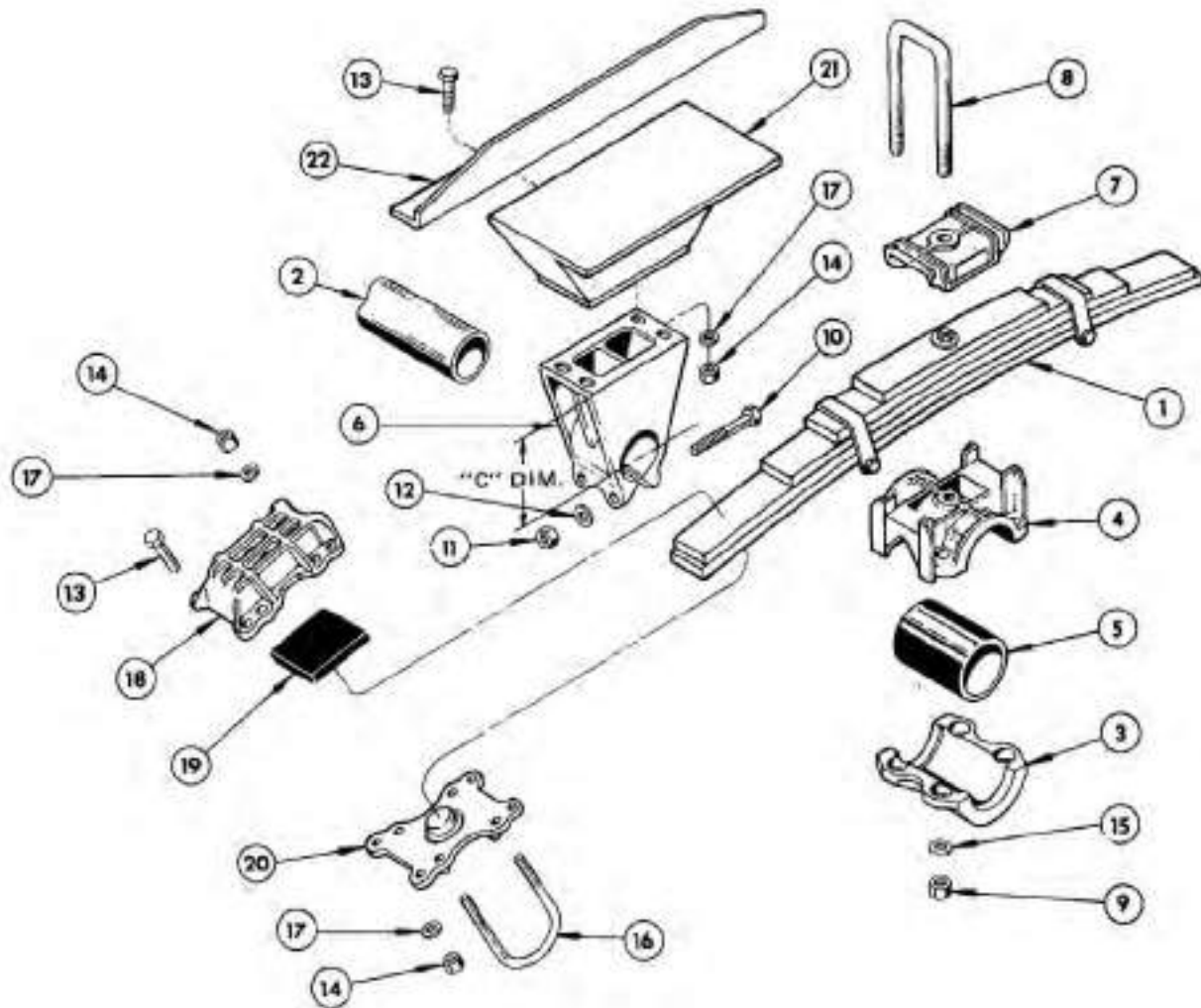
ITEM	DESCRIPTION	PART NUMBER	QTY REQD	MODEL	WEIGHT LBS. [kg]
1	Spring Assembly, 5-Leaf	91557293	2	TS-4440	246.00 [111.58]
	Spring Assembly, 5-Leaf	91557273	2	TS-5500	281.00 [127.46]
	Spring Assembly, 6-Leaf	91557277	2	TS-5600	343.00 [155.58]
2*	Trunnion Tube 4" O.D. x 1/2" Wall x 48" H.T.	91038004	1	TS-4440	74.95 [34.00]
				TS-5500	
				TS-5600	
3	Trunnion Rubber Cap Casting	91010047	2	All	20.40 [9.25]
4	Trunnion Spring Seat Casting	91001051	2	All	19.70 [8.94]
5**	Trunnion Rubber Bushing	91008022	2	All	2.23 [1.01]
6***	Trunnion Clamp Casting 2-1/2" "C" DIM Model -1	91001054	2	All	18.30 [8.30]
	Trunnion Clamp Casting 4-1/2" "C" DIM Model -2	91001055	2	All	26.30 [11.93]
	Trunnion Clamp Casting 6-1/2" "C" DIM Model -3	91001056	2	All	32.40 [14.70]
	Trunnion Clamp Casting 8-1/2" "C" DIM Model -4	91001058	2	All	37.20 [16.87]
7	Spring Saddle Casting	91010021	2	TS-4440	5.20 [2.36]
		91001022	2	TS-5500	9.50 [4.31]
			2	TS-5600	
8	U-Bolt 1-1/8"-7 x 11" Gr8	90042796	4	TS-4440	6.76 [3.06]
	U-Bolt 1-1/8"-7 x 13" Gr8	90041474	4	TS-5500	7.32 [3.32]
	U-Bolt 1-1/8"-7 x 12-1/2" Gr8	90041478	4	TS-5600	7.77 [3.52]
9	Lock Nut 1-1/8"-7 GrC	93400506	8	All	0.38 [0.17]
10	Cap Screw 3/4"-10 x 4-1/2" Gr5	93003621	4	All	1.00 [0.50]
11	Lock Nut 3/4"-10 GrC	93400494	4	All	0.11 [0.05]
12	Washer 3/4"	93600156	4	All	0.04 [0.02]
13	Cap Screw 5/8"-11 x 2-1/2", Gr8, 5" & 5-3/4" Rd.	93003359	16	All	0.27 [0.12]
	Cap Screw 5/8"-11 x 2-3/4", Gr8, 5" Sq. Axle	93003365	16	All	0.28 [0.12]
14	Lock Nut 5/8"-11, GrC	93400490	40	All	0.07 [0.03]
15	Washer 1-1/8"	93600174	8	All	0.11 [0.05]
16	U-Bolt 5/8"-11 x 7-1/2" Gr5, 5" Rd. Axle	90041067	8	All	1.34 [0.61]
	U-Bolt 5/8"-11 x 9" Gr8, 5-3/4" Rd. Axle	90042064	8	All	1.60 [0.72]
	U-Bolt 5/8"-11 x 8-1/2" Gr8	90042544	8	All	1.59 [0.72]
17	Washer H. T. 5/8"	93900025	56	All	0.02 [0.01]
18	Spring End Cap	91010043	4	All	13.40 [6.08]
19	Spring End Rubber Pad	91028152	4	All	0.70 [0.32]
20	Spring End Pad, 5" Rd. Axle	91001044	4	All	10.80 [4.89]
	Spring End Pad, 5-3/4" Rd. Axle	91001047	4	All	17.00 [7.71]
	Spring End Pad	91001049	4	All	12.30 [5.58]
21	Frame Bracket 9-1/4" High Std. (Opt Specify)	91018008	2	All	73.40 [33.29]
22	Frame Support Angle (Opt Specify)	91023057	2	All	15.40 [6.99]
23	Spacer	91031570	16	TS-4440	0.90 [0.41]
				TS-5500	
				TS-5600	
24	Axle Seat, 5" Sq. Axle	91501063	4	All	15.00 [6.80]
25	End Pad, 5" Sq. Axle	91001049	4	All	12.30 [5.58]
26	Cap Screw 5/8"-11 x 2", Gr5	93003345	8	All	0.33 [0.15]
	Torque Decal (Not Shown) XL-MS178	90044236	1	All	N/A

* Standard 71-1/2" track axle; other tube sizes available.

** For fiber bushed units use: 90008043 and 90008044 fiber, SRK-52-1; 936 00 424 washer flat (4.06).

*** Do not use with item 21. If pin is worn on spring end pad, order SRK25.

TS-426-A, -432, -436, -442, -536, -542
Two Spring Tandem Exploded View



**DISCONTINUED MODEL
SERVICE PARTS ONLY**

Please contact Customer Service for part availability
800.876.3929

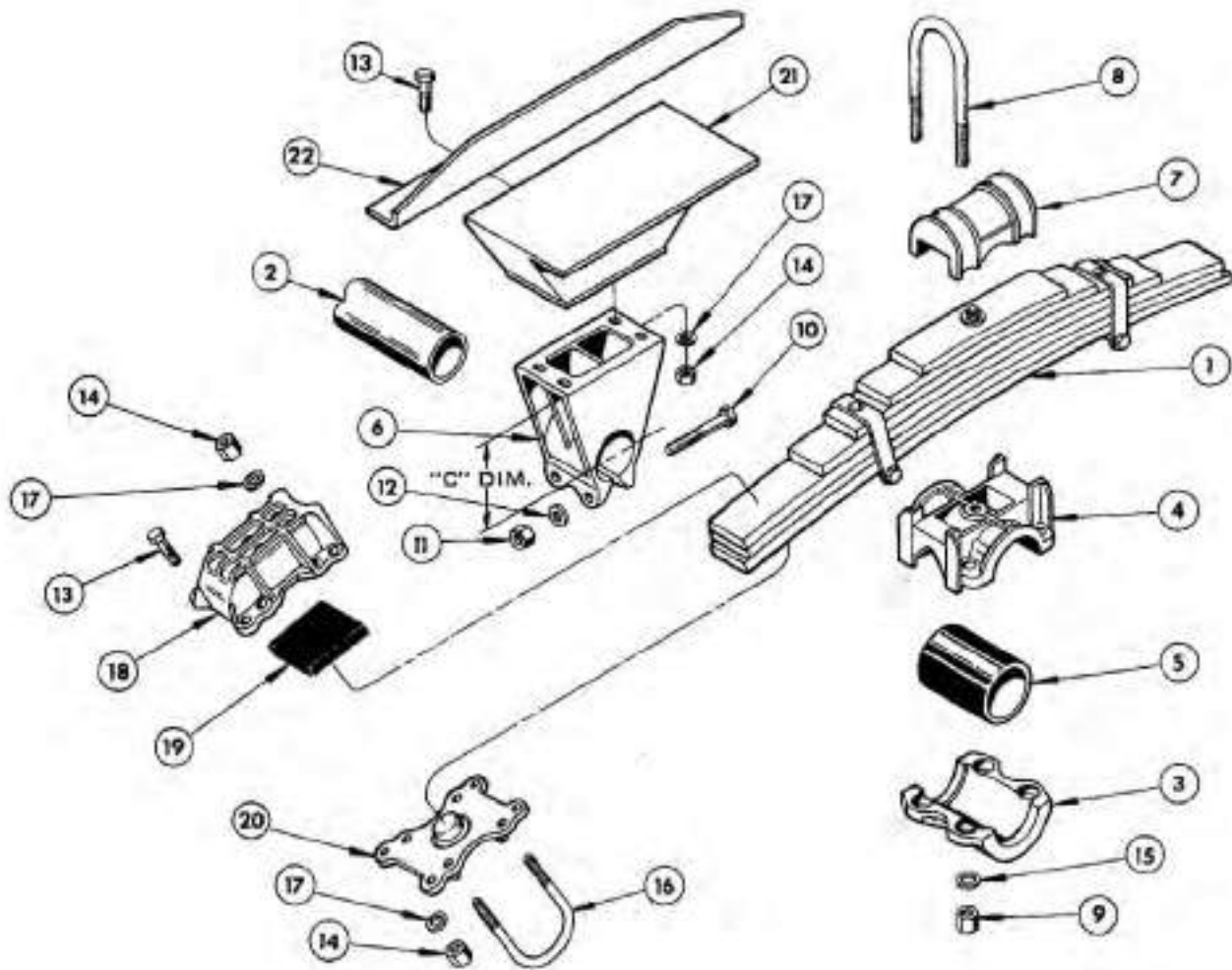
SERVICE COMPONENTS					
ITEM	DESCRIPTION	PART NUMBER	QTY REQD	MODEL	WEIGHT LBS. [kg]
1	Spring Assembly 5 Leaf - 2 Main Leaf	N/A	2	TS-426-A	N/A
	Spring Assembly 5 Leaf - 2 Main Leaf	N/A	2	TS-432, 436	N/A
	Spring Assembly 6 Leaf - 3 Main Leaf	N/A	2	TS-442	N/A
	Spring Assembly 5 Leaf - 2 Main Leaf	N/A	2	TS-536	N/A
	Spring Assembly 6 Leaf - 3 Main Leaf	N/A	2	TS-542	N/A
2	Trunnion Tube 4" OD x 1/2" Wall x 48" (Other Sizes Available)	91038003	1	TS-426-A, 432, 436, 536	74.95 [34.00]
	Trunnion Tube 4" OD x 1/2" Wall x 48" HT (Other Sizes Available)	91038004	1	TS-442, 542	74.95 [34.00]
3	Trunnion Rubber Cap Casting	91010047	2	All	20.40 [9.25]
4	Trunnion Spring Seat Casting	91001051	2	All	19.70 [8.94]
5	Trunnion Rubber Bushing	91008022	2	All	2.23 [1.01]
6	Trunnion Clamp Casting - 2-1/2" "C" Dimension (-1 Models)	91001054	2	All	18.30 [8.30]
	Trunnion Clamp Casting - 4-1/2" "C" Dimension (-2 Models)	91001055	2	All	26.30 [11.93]
	Trunnion Clamp Casting - 6-1/2" "C" Dimension (-3 Models)	91001056	2	All	32.40 [14.70]
	Trunnion Clamp Casting - 8-1/2" "C" Dimension (-4 Models)	91001058	2	All	37.20 [16.87]
7	Spring Saddle Casting	91010021	2	All	5.20 [2.36]
8	U-Bolt 1-1/8-7 x 11" Gr8	90042796	4	All	6.76 [3.06]
9	Lock Nut 1-1/8-7 GrC	93400506	8	All	0.38 [0.17]
10	Cap Screw 3/4-10 x 4-1/2" Gr5	93003621	4	All	1.00 [0.50]
11	Lock Nut 3/4-10 GrB	93400492	4	All	0.13 [0.06]
12	Washer 3/4"	93600156	4	All	0.04 [0.02]
13	Cap Screw 5/8-11 x 2" Gr5	93003345	24	All	0.33 [0.15]
14	Lock Nut 5/8-11 GrC	93400490	40	All	0.07 [0.03]
15	Washer 1-1/8"	93600174	8	All	0.11 [0.05]
16	U-Bolt 5/8-11" x 7-1/2" Gr5 (5" Round)	90041067	8	All	1.34 [0.61]
	U-Bolt 5/8-11" x 8-1/2" (5-3/4" and 6" Round)	90042061	8	All	1.52 [0.69]
17	Washer 5/8"	93900025	40	All	0.02 [0.01]
18	Spring End Cap Casting	91010043	4	TS-426-A, 432, 436, 536	13.40 [6.08]
	Spring End Cap Casting	91010038	4	TS-442, 542	14.60 [6.62]
19	Spring End Rubber Pad	91028089	4	TS-426-A	0.70 [0.32]
	Spring End Rubber Pad	91028152	4	TS-432, 436, 442, 536, 542	0.70 [0.32]
20*	Spring End Pad Casting (5" Round)	91001044	4	All	10.80 [4.89]
	Spring End Pad Casting (5-3/4" and 6" Round)	91001047	4	All	17.00 [7.71]
21	Frame Bracket	91018008	2	All	73.40 [33.29]
22	Frame Support Angle	91023057	2	All	15.40 [6.99]
SERVICE REPAIR KITS					
	SRK-23 - Axle Connection (5" Round)	48100020	2	TS-432, 436, 442, 536, 542	20.00 [9.07]
**	SRK-25 - Axle Connection (5" Round)	48100042	2	TS-432, 436, 442, 536, 542	21.00 [9.53]
	SRK-52-1 - Trunnion Connection (TSF Models - Fiber Bushing)	48100147	1	All	8.00 [3.63]

NOTE: Spring Assemblies should be replaced in pairs.

* If pin is worn on spring end pad, order service replacement pad, P/N 910 01 049.

** SRK-25 includes 910 01 049 replacement pad.

TS-550, TS-560 Two Spring Tandem Exploded View



DISCONTINUED MODEL SERVICE PARTS ONLY

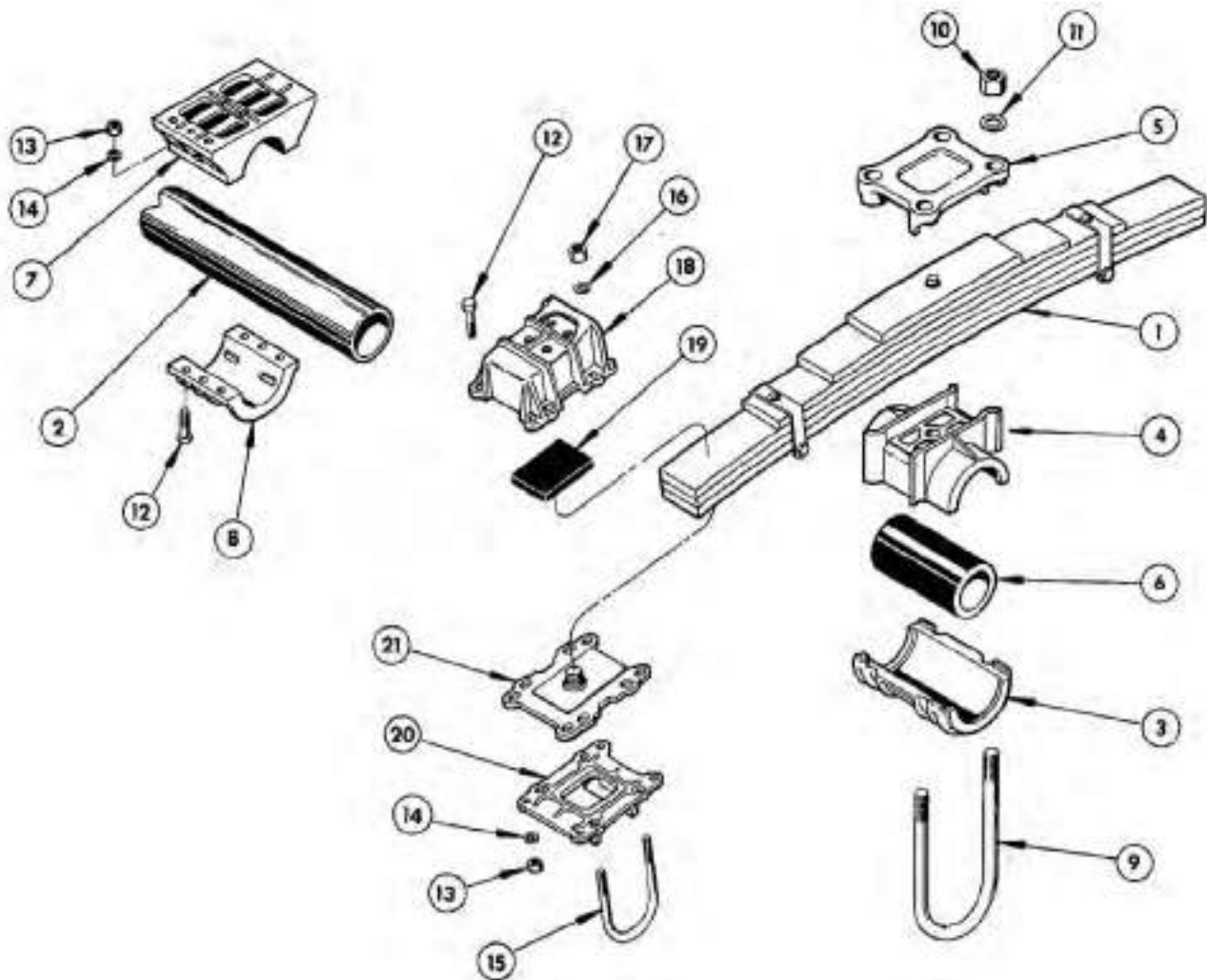
Please contact Customer Service for part availability
800.876.3929

SERVICE COMPONENTS					
ITEM	DESCRIPTION	PART NUMBER	QTY REQD	MODEL	WEIGHT LBS. [kg]
1	Spring Assembly 7 Leaf	N/A	2	TS-550-2, 3, 4	N/A
	Spring Assembly 9 Leaf	N/A	2	TS-560-3, 4	N/A
2	Trunnion Tube 4" OD x 1/2" Wall x 48" HT (Other Sizes Available)	91038004	1	All	74.95 [34.00]
3	Trunnion Rubber Cap Casting	91010047	2	All	20.40 [9.25]
4	Trunnion Spring Seat Casting	91001051	2	All	19.70 [8.94]
5	Trunnion Rubber Bushing	91008022	2	All	2.23 [1.01]
6	Trunnion Clamp Casting - 4-1/2" "C" Dimension (-2 Models)	91001055	2	All	26.30 [11.93]
	Trunnion Clamp Casting - 6-1/2" "C" Dimension (-3 Models)	91001056	2	All	32.40 [14.70]
	Trunnion Clamp Casting - 8-1/2" "C" Dimension (-4 Models)	91001058	2	All	37.20 [16.87]
7	Spring Saddle Casting	91001022	2	All	9.50 [4.31]
8	U-Bolt 1-1/8-7 x 14" Gr8	90041476	4	TS-550-2, 3, 4	7.54 [3.42]
	U-Bolt 1-1/8-7 x 15" Gr8	90041482	4	TS-560-3, 4	8.23 [3.74]
9	Lock Nut 1-1/8-7 GrC	93400 506	8	All	0.38 [0.17]
10	Cap Screw 3/4-10 x 4-1/2" Gr5	93003621	4	All	1.00 [0.50]
11	Lock Nut 3/4-10 GrB	93400492	4	All	0.13 [0.06]
12	Washer 3/4"	93600156	4	All	0.04 [0.02]
13	Cap Screw 5/8-11 x 2" Gr5	93003345	24	All	0.33 [0.15]
14	Lock Nut 5/8-11 GrC	93400490	40	All	0.07 [0.03]
15	Washer 1-1/8"	93600174	8	All	0.11 [0.05]
16	U-Bolt 5/8-11 x 7-1/2" Gr5 (5" Round)	90041067	8	All	1.34 [0.61]
	U-Bolt 5/8-11 x 8-1/2" Gr5 (5-3/4" and 6" Round)	90042061	8	All	1.52 [0.69]
17	Washer 5/8"	93900025	40	All	0.02 [0.01]
18	Spring End Cap Casting	91010038	4	All	14.60 [6.62]
19	Spring End Rubber Pad	91028152	4	All	0.70 [0.32]
20*	Spring End Pad Casting (5" Round)	91001044	4	All	10.80 [4.90]
	Spring End Pad Casting (5-3/4" and 6" Round)	91001047	4	All	17.00 [7.71]
21	Frame Bracket	91018008	2	All	73.40 [33.29]
22	Frame Support Angle	91023057	2	All	15.40 [6.99]
SERVICE REPAIR KITS					
	SRK-23 - Axle Connection (5" Round)	48100020	2	TS-432, 436, 442, 536, 542	20.00 [9.07]
**	SRK-25 - Axle Connection (5" Round)	48100042	2	TS-432, 436, 442, 536, 542	21.00 [9.53]
	SRK-52-1 - Trunnion Connection (TSF Models - Fiber Bushing)	48100147	1	All	8.00 [3.63]

NOTE: Spring Assemblies should be replaced in pairs.

- * If pin is worn on spring end pad, order service replacement pad, P/N 910 01 049.
- ** SRK-25 includes 910 01 049 replacement pad.

TS-660, -680, -6100, -660-A, -680-A, -6100-A
Two Spring Tandem Exploded View



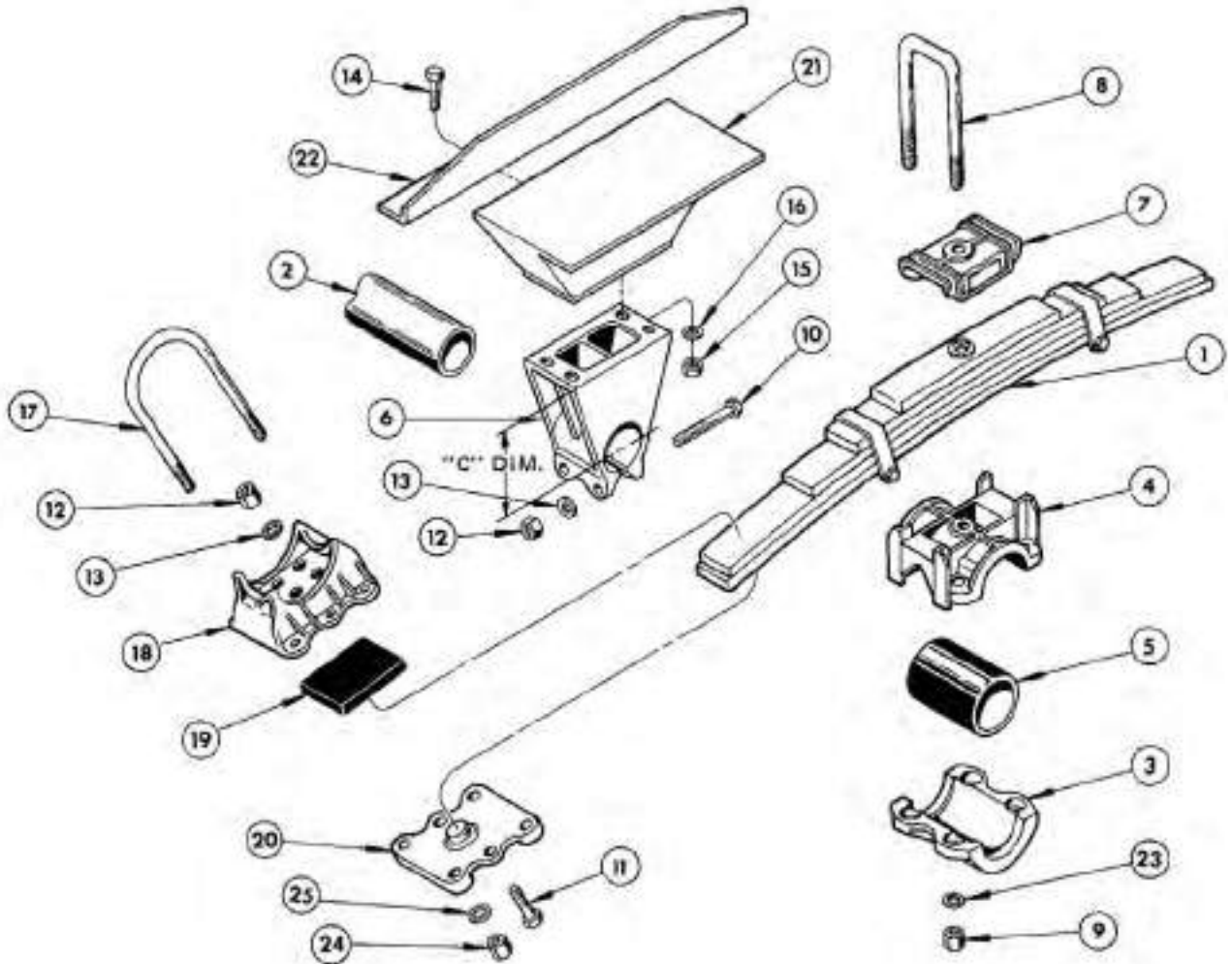
**DISCONTINUED MODEL
SERVICE PARTS ONLY**

Please contact Customer Service for part availability
800.876.3929

SERVICE COMPONENTS					
ITEM	DESCRIPTION	PART NUMBER	QTY REQD	MODEL	WEIGHT LBS. [kg]
1	Spring Assembly 6 Leaf	91557270	2	TS-660, 660-A	N/A
	Spring Assembly 8 Leaf	91557244	2	TS-680, 680-A	N/A
	Spring Assembly 10 Leaf	91557245	2	TS-6100, 6100-A	N/A
2	Trunnion Tube 6" OD x 1" Wall x 53-1/2" (Other Sizes Available)	91038418	1	All	N/A
3	Trunnion Cap	91010066	2	All	N/A
4	Trunnion Spring Seat	91001087	2	All	17.00 [7.71]
5	Trunnion U-Bolt Plate	91010158	2	All	46.00 [20.87]
6	Trunnion Rubber Bushing	91008036	2	All	6.46 [2.93]
7	Trunnion Frame Mounting Bracket	91018027	2	All	60.96 [27.65]
8	Trunnion Mounting Cap	91010113	2	All	26.50 [12.02]
9	U-Bolt 1-1/2-6 x 20" Gr8	90041518	4	TS-660, 660-A	23.00 [10.43]
	U-Bolt 1-1/2-6 x 21" Gr8	90041522	4	TS-680, 680-A	24.00 [10.88]
	U-Bolt 1-1/2-6 x 23-1/2" Gr8	90041532	4	TS-6100, 6100-A	23.13 [10.49]
10	Lock Nut 1-1/2-6 GrC	93400518	8	All	1.00 [0.45]
11	Washer 1-1/2"	93600192	8	All	1.00 [0.45]
12	Cap Screw 3/4-10 x 3" Gr5	93003585	28	All	0.46 [0.21]
13	Lock Nut 3/4-10 GrB	93400492	28	All	0.13 [0.06]
14	Washer 3/4"	93600156	28	All	0.04 [0.02]
15	U-Bolt 7/8-9 x 9-1/2" Gr8	90041272	8	All	3.40 [1.54]
16	Washer 7/8"	93600162	16	All	0.06 [0.03]
17	Lock Nut 7/8-9 GrC	93400498	16	All	0.17 [0.08]
18	Spring End Cap	91010065	4	All	14.00 [6.35]
19	Spring End Rubber Pad	91028057	4	All	0.86 [0.39]
20	Spring End Seat (5" Round)	91001084	4	All	N/A
	Spring End Seat (5-3/4" and 6" Round)	91001086	4	All	8.00 [3.63]
21	Axle Adapter Spring Seat	91031055	4	All	15.00 [6.80]

NOTE: Spring Assemblies should be replaced in pairs.

US-426-A, -432, -436, -442, -536, -542 Two Spring Tandem Exploded View



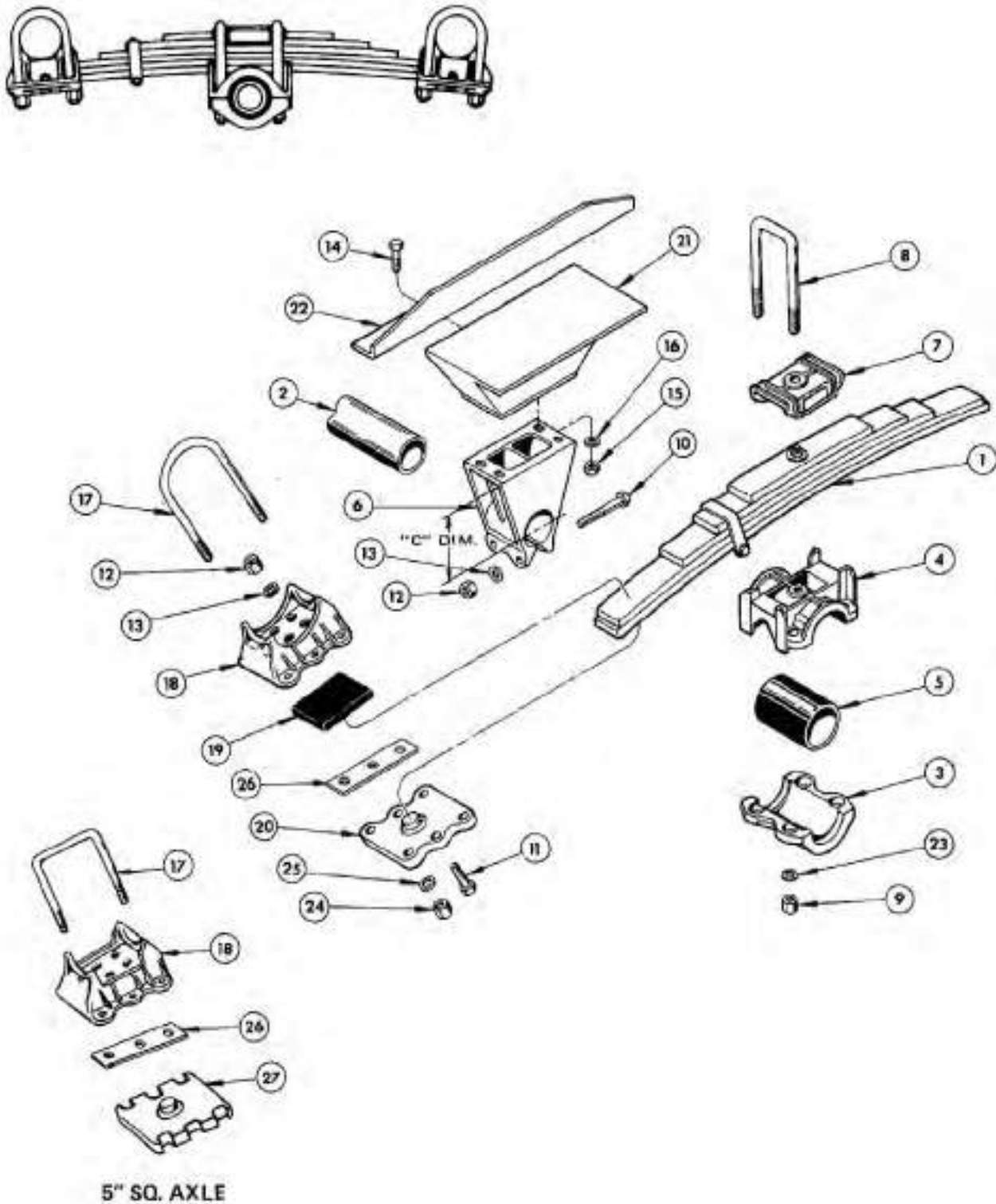
DISCONTINUED MODEL SERVICE PARTS ONLY

Please contact Customer Service for part availability
800.876.3929

SERVICE COMPONENTS					
ITEM	DESCRIPTION	PART NUMBER	QTY REQD	MODEL	WEIGHT LBS. [kg]
1	Spring Assembly 5 Leaf - 2 Main Leaf	N/A	2	US-426-A	N/A
	Spring Assembly 5 Leaf - 2 Main Leaf	91557016	2	US-432, 436	210.00 [95.25]
	Spring Assembly 6 Leaf - 3 Main Leaf	91557017	2	US-442	260.00 [117.93]
	Spring Assembly 5 Leaf - 2 Main Leaf	91557018	2	US-536	N/A
	Spring Assembly 6 Leaf - 3 Main Leaf	91557019	2	US-542	287.00 [130.18]
2	Trunnion Tube 4" OD x 1/2" Wall x 48" (Other Sizes Available)	91038003	1	US-426-A, 432, 436, 536	74.95 [34.00]
	Trunnion Tube 4" OD x 1/2" Wall x 48" HT (Other Sizes Available)	91038004	1	US-442, 542	74.95 [34.00]
3	Trunnion Rubber Cap Casting	91010047	2	All	20.40 [9.25]
4	Trunnion Spring Seat Casting	91001051	2	All	19.70 [8.94]
5	Trunnion Rubber Bushing	91008022	2	All	2.23 [1.01]
6	Trunnion Clamp Casting - 2-1/2" "C" Dimension (-1 Models)	91001054	2	All	18.30 [8.30]
	Trunnion Clamp Casting - 4-1/2" "C" Dimension (-2 Models)	91001055	2	All	26.30 [11.93]
	Trunnion Clamp Casting - 6-1/2" "C" Dimension (-3 Models)	91001056	2	All	32.40 [14.70]
	Trunnion Clamp Casting - 8-1/2" "C" Dimension (-4 Models)	91001058	2	All	37.20 [16.87]
7	Spring Saddle Casting	91010021	2	All	5.20 [2.36]
8	U-Bolt 1-1/8-7 x 11" Gr8	90042796	4	All	6.76 [3.06]
9	Lock Nut 1-1/8"-7 GrC	93400506	8	All	0.38 [0.17]
10	Cap Screw 3/4-10 x 4-1/2" Gr5	93003621	4	All	1.00 [0.50]
11	Cap Screw 3/4-10 x 2-1/2" Gr8	93003575	8	All	0.46 [0.21]
12	Lock Nut 3/4-10 GrB	93400492	12	All	0.13 [0.06]
13	Washer 3/4"	93600156	12	All	0.04 [0.02]
14	Cap Screw 5/8-11 x 2" Gr5	93003345	8	All	0.33 [0.15]
15	Lock Nut 5/8-11 GrC	93400490	8	All	0.07 [0.03]
16	Washer 5/8	93900025	8	All	0.02 [0.01]
17	U-Bolt 1-8 x 10"-1/2" Gr8 (5" Round)	90041324	8	All	4.73 [2.15]
	U-Bolt 1-8 x 12" Gr8 (5-3/4" and 6" Round)	90041353	8	US-442, 542	N/A
18	Spring End Cap Casting (5" Round)	91010041	4	US-426-A, 432, 436, 536	12.00 [5.44]
	Spring End Cap Casting (5" Round)	91010033	4	US-442, 542	14.00 [6.35]
	Spring End Cap Casting (5-3/4" and 6" Round)	91010034	4	US-442, 542	14.00 [6.35]
19	Spring End Rubber Pad	91028089	4	US-426-A	0.70 [0.32]
	Spring End Rubber Pad	91028152	4	US-432, 436, 442, 536, 542	0.70 [0.32]
20	Spring End Pad Casting (5" Round)	91001038	4	All	16.90 [7.67]
	Spring End Pad Casting (5-3/4" and 6" Round)	91001050	4	All	18.00 [8.16]
21	Frame Bracket	91018008	2	All	73.40 [33.29]
22	Frame Support Angle	91023057	2	All	15.40 [6.99]
23	Washer 1-1/8"	93600174	8	All	0.11 [0.05]
24	Lock Nut 1-8 GrC	93400502	16	All	0.34 [0.15]
25	Washer 1"	93600168	16	All	0.08 [0.04]

NOTE: Spring Assemblies should be replaced in pairs.

US-4360, -4400 Two Spring Tandem Exploded View

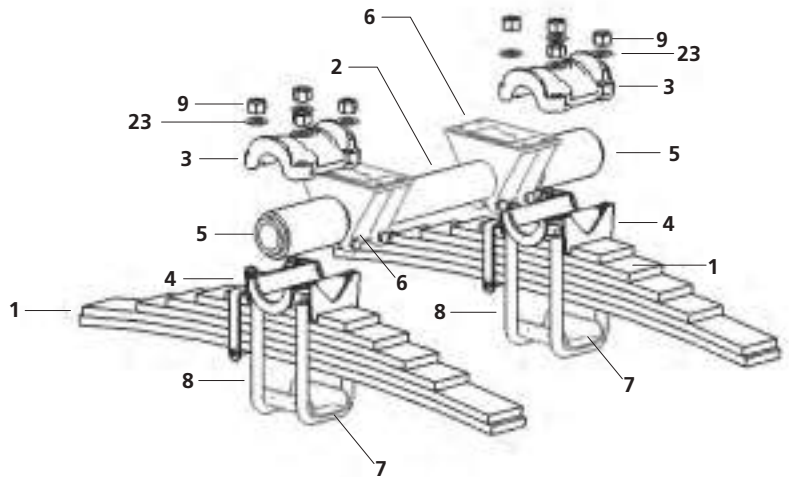
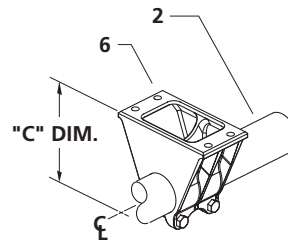
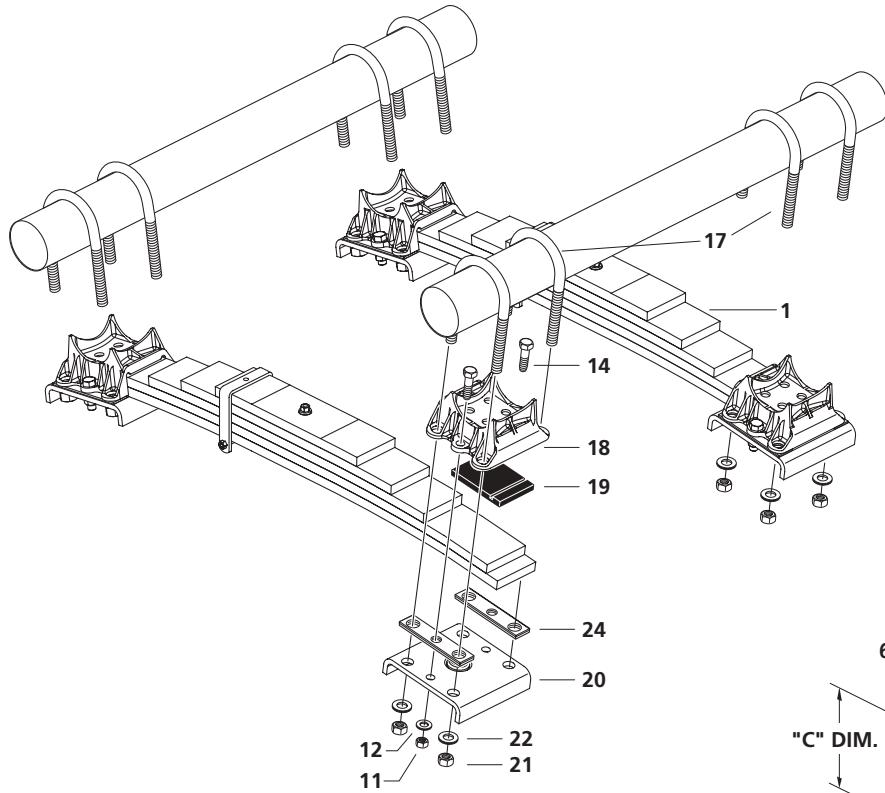
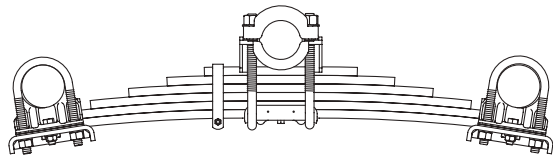


**DISCONTINUED MODEL
SERVICE PARTS ONLY**
Please contact Customer Service for part availability
800.876.3929

SERVICE COMPONENTS					
ITEM	DESCRIPTION	PART NUMBER	QTY REQD	MODEL	WEIGHT LBS. [kg]
1	Spring Assembly 4 Leaf	91557271	2	US-4360	207.00 [93.89]
	Spring Assembly 5 Leaf	91557272	2	US-4440	235.00 [106.60]
2	Trunnion Tube 4" OD x 1/2" Wall x 48" (Other Sizes Available)	91038003	1	US-4360	74.95 [34.00]
	Trunnion Tube 4" OD x 1/2" Wall x 48" HT (Other Sizes Available)	91038004	1	US-4440	74.95 [34.00]
3	Trunnion Rubber Cap	91010047	2	All	20.40 [9.25]
4	Trunnion Spring Seat	91001051	2	All	19.70 [8.94]
5	Trunnion Rubber Bushing	91008022	2	All	2.23 [1.01]
6	Trunnion Clamp Casting - 2-1/2" "C" Dimension (-1 Models)	91001054	2	All	18.30 [8.30]
	Trunnion Clamp Casting - 4-1/2" "C" Dimension (-2 Models)	91001055	2	All	26.30 [11.93]
	Trunnion Clamp Casting - 6-1/2" "C" Dimension (-3 Models)	91001056	2	All	32.40 [14.70]
	Trunnion Clamp Casting - 8-1/2" "C" Dimension (-4 Models)	91001058	2	All	37.20 [16.87]
7	Spring Saddle Casting	91010021	2	All	5.20 [2.36]
8	U-Bolt 1-1/8-7 x 10" Gr8	90041690	4	All	6.30 [2.86]
	U-Bolt 1-1/8-7 x 11" Gr8	90042796	4	All	6.76 [3.06]
9	Lock Nut 1-1/8-7 GrC	93400506	8	All	0.38 [0.17]
10	Cap Screw 3/4-10 x 4-1/2" Gr5	93003621	4	All	1.00 [0.50]
11	Cap Screw 3/4-10 x 2-1/2" Gr8	93003575	8	All	0.46 [0.21]
12	Lock Nut 3/4-10 GrC	93400494	12	All	0.11 [0.05]
13	Washer 3/4"	93600156	12	All	0.04 [0.02]
14	Cap Screw 5/8-11 x 2" Gr5	93003345	8	All	0.33 [0.15]
15	Lock Nut 5/8-11 GrC	93400490	8	All	0.07 [0.03]
16	Washer 5/8"	93600150	8	All	0.03 [0.01]
17	U-Bolt 1-8 x 10" Gr8 (5" Round)	90041322	8	All	4.54 [2.06]
	U-Bolt 1-8 x 10-1/2" Gr8 (5-3/4" Round)	90041348	8	All	N/A
	U-Bolt 1-8 x 10-1/2" Gr8 (5" Square)	90041969	8	All	6.00 [2.72]
18	Spring End Cap (5" Round)	91010041	4	All	12.00 [5.44]
	Spring End Cap (5-3/4" Round)	91010130	4	All	13.70 [6.21]
	Spring End Cap (5" Square)	91001188	4	All	11.00 [5.00]
19	Spring End Rubber Pad	91028152	4	All	0.70 [0.32]
20	Spring End Pad (5" Round)	91001038	4	All	16.90 [7.67]
	Spring End Pad (5-3/4" Round)	91001050	4	All	18.00 [8.16]
	Spring End Pad (5" Square)	91001182	4	All	11.00 [5.00]
21	Frame Bracket	91018008	2	All	73.40 [33.29]
22	Frame Support Angle	91023057	2	All	15.40 [6.99]
23	Washer 1-1/8"	93600174	8	All	0.11 [0.05]
24	Lock Nut 1-8 GrC	93400502	16	All	0.34 [0.15]
25	Washer 1"	93900027	16	All	0.04 [0.02]
26	Spacer (5" Round and Square)	91031571	8	All	0.60 [0.27]
	Spacer (5-3/4" Round)	91031576	8	All	0.70 [0.32]
27	Spring End Pad (5" Square)	91001181	4	All	8.00 [3.63]

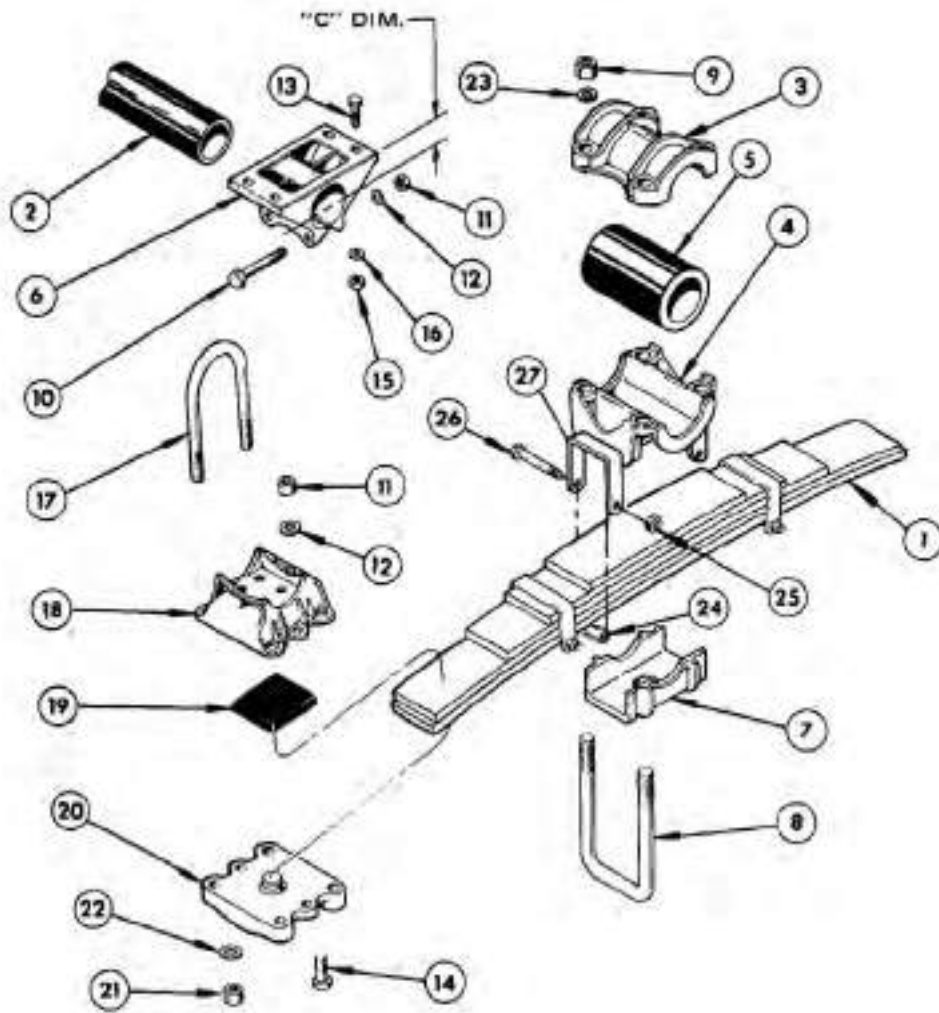
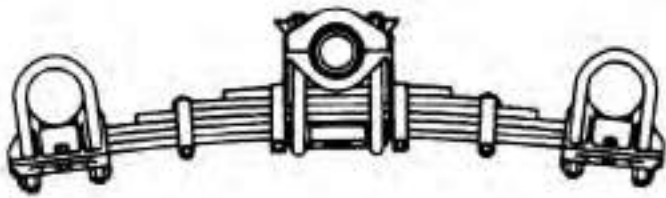
NOTE: Spring Assemblies should be replaced in pairs.

USR-4440, -5500, -5600 Mechanical Suspension Exploded View



ITEM	DESCRIPTION	PART NUMBER	QTY REQD	MODEL	WEIGHT LBS. [kg]
1	Spring Assembly, 5-Leaf	91557293	2	USR-4440	246.00 [111.58]
	Spring Assembly, 5-Leaf	91557273	2	USR-5500	281.00 [127.46]
	Spring Assembly, 6-Leaf	91557277	2	USR-5600	343.00 [155.58]
2*	Trunnion Tube 4" O.D. x 1/2" Wall x 48" H.T.	91038004	1	USR-4440	74.95 [34.00]
	Trunnion Tube 4" O.D. x 1/2" Wall x 48" H.T.	91038004	1	USR-5500	74.95 [34.00]
			1	USR-5600	
3	Trunnion Rubber Cap	91010047	2	All	20.40 [9.25]
4	Trunnion Spring Seat	91001051	2	All	19.70 [8.94]
5	Trunnion Rubber Bushing	91008022	2	All	2.23 [1.01]
6	Trunnion Clamp Casting 2-1/2" "C" Dimension	91001054	2	All**	18.30 [8.30]
	Trunnion Clamp Casting 4-1/2" "C" Dimension	91001055	2	All***	26.30 [11.93]
	Trunnion Clamp Casting 6-1/2" "C" Dimension	91001056	2	All †	32.40 [14.70]
	Trunnion Clamp Casting 8-1/2" "C" Dimension	91001058	2	All ††	37.20 [16.87]
7	Spring Saddle Casting	91010021	2	All√√	5.20 [2.36]
8	U-Bolt 1-1/8"-7 x 11" GR 8	90042796	4	USR-4440	6.76 [3.06]
	U-Bolt 1-1/8"-7 x 11-1/2" GR 8	90041696	4	USR-5500	6.90 [3.13]
	U-Bolt 1-1/8"-7 x 12-1/2" GR 8	90041700	4	USR-5600	7.47 [3.39]
9	Lock Nut 1-1/8"-7 GR C	93400506	8	All	0.38 [0.17]
10	Cap Screw 3/4"-10 x 4-1/2" GR 5	93003621	4	All	1.00 [0.50]
11	Lock Nut 3/4"-10 GR C	93400494	12	All	0.11 [0.05]
12	Washer 3/4"	93600156	12	All	0.04 [0.02]
13	Cap Screw 5/8"-11 x 2" GR 5	93003345	8	All	0.33 [0.15]
14	Cap Screw 3/4"-10 x 2-1/2" GR 8	93003575	8	All	0.46 [0.21]
15	Lock Nut 5/8"-11 GR C	93400490	8	All	0.07 [0.03]
16	Washer 5/8"	93600150	8	All	0.03 [0.01]
17	U-Bolt 1-8" x 10" GR 8, 5" Rd. Axle	90041322	8	All	4.54 [2.06]
	U-Bolt 1-8" x 10-1/2" GR 8, 5-3/4" Rd. Axle	90041348	8	USR-4440	N/A
	U-Bolt 1-8" x 11" GR 8, 5-3/4" Rd. Axle	90041350	8	USR-5500	5.02 [2.28]
	U-Bolt 1-8" x 10-1/2" GR 8, 5" Sq. Axle	90041969	8	USR-5600	6.00 [2.72]
18	Spring End Cap 5" Rd. Axle	91010041	4	All	12.00 [5.44]
	Spring End Cap 5-3/4" Rd. Axle	91010130	4	All	13.70 [6.21]
	Spring End Cap 5" Sq. Axle	91001188	4	All	11.00 [5.00]
19	Spring End Rubber Pad	91028152	4	All	0.70 [0.32]
20	Spring End Pad 5" Rd. Axle	91001038	4	All	16.90 [7.67]
	Spring End Pad 5-3/4" Rd. Axle	91001050	4	All	18.00 [8.16]
	Spring End Pad 5" Sq. Axle	91001182	4	All	11.00 [5.00]
21	Lock Nut 1-8" GR C	93400502	16	All	0.34 [0.15]
22	Washer 1	93900027	16	All	0.04 [0.02]
23	Washer 1-1/8"	93600174	8	All	0.11 [0.05]
24	Spacer (5" Rd. Axle and 5" Sq. Axle)	91031571	16	USR-4440	0.60 [0.27]
				USR-5500	
				USR-5600	
	Spacer (5-3/4" Rd. Axle)	91031576	16	USR-4440	0.70 [0.32]
				USR-5500	
			16	USR-5600	
25	Spring End Pad (5" Sq. Axle)	91001181	4	All	8.00 [3.63]
26	Frame Bracket (Not Shown - Opt Specify)	91018008	2	All	73.40 [33.29]

* Other sizes available
 ** -1 Models
 *** -2 Models
 † -3 Models
 †† -4 Models
 √√ -1 and -3 Models

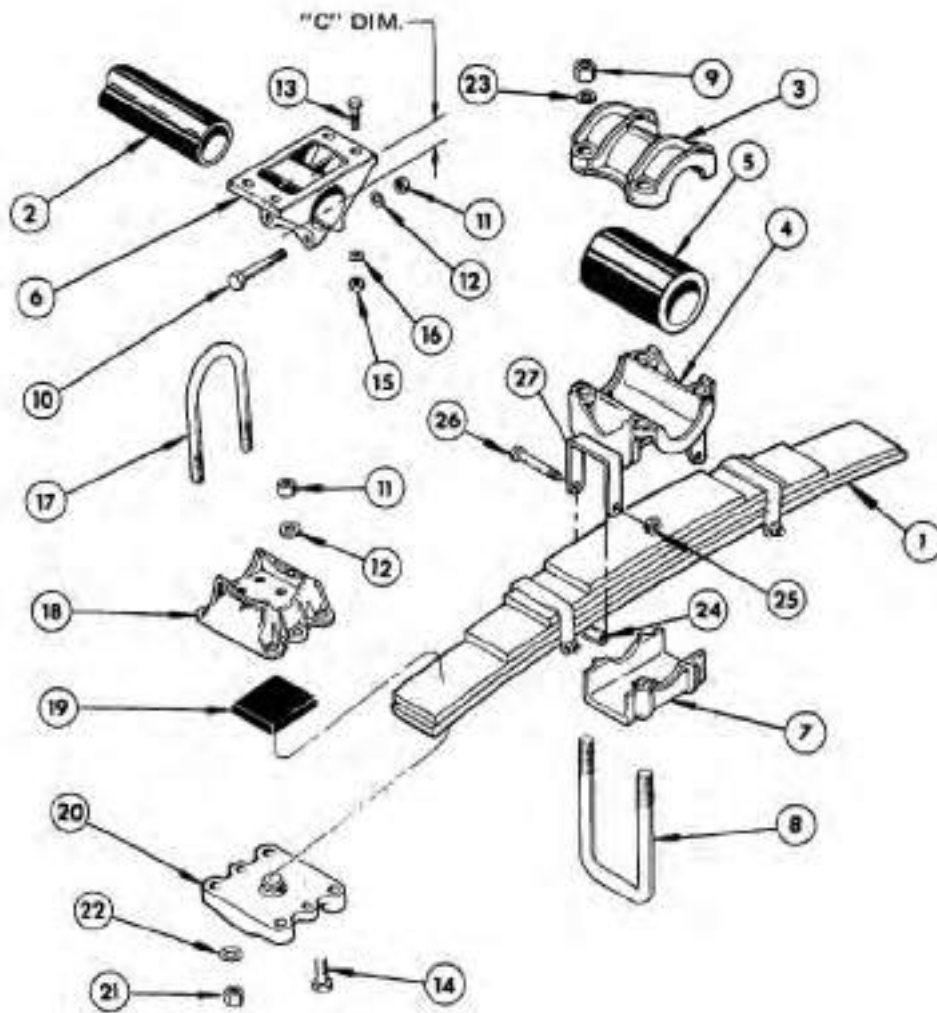
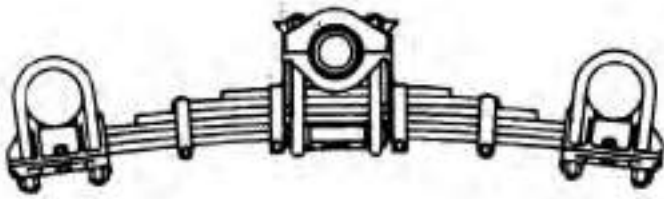


**DISCONTINUED MODEL
SERVICE PARTS ONLY**

Please contact Customer Service for part availability
800.876.3929

SERVICE COMPONENTS					
ITEM	DESCRIPTION	PART NUMBER	QTY REQD	MODEL	WEIGHT LBS. [kg]
1	Spring Assembly 5 Leaf - 2 Main Leaf	N/A	2	USR-426-A	N/A
	Spring Assembly 5 Leaf - 2 Main Leaf	91557016	2	USR-432, 436	210.00 [95.25]
	Spring Assembly 6 Leaf - 3 Main Leaf	91557017	2	USR-442	260.00 [117.93]
2	Trunnion Tube 4" OD x 1/2" Wall x 48" (Other Sizes Available)	91038003	1	USR-426-A, 432, 436	74.95 [34.00]
	Trunnion Tube 4" OD x 1/2" Wall x 48" HT (Other Sizes Available)	91038004	1	USR-442	74.95 [34.00]
3	Trunnion Rubber Cap	91010047	2	All	20.40 [9.25]
4	Trunnion Spring Seat (Includes Key #27)	91501035	2	USR-426-A, 432	26.00 [11.79]
	Trunnion Spring Seat (Includes Key #27)	91501036	2	USR-436	25.00 [11.34]
	Trunnion Spring Seat (Includes Key #27)	91501037	2	USR-442	25.00 [11.34]
5	Trunnion Rubber Bushing	91008022	2	All	2.23 [1.01]
6	Trunnion Clamp Casting - 2-1/2" "C" Dimension (-1 Models)	91001054	2	All	18.30 [8.30]
	Trunnion Clamp Casting - 4-1/2" "C" Dimension (-2 Models)	91001055	2	All	26.30 [11.93]
	Trunnion Clamp Casting - 6-1/2" "C" Dimension (-3 Models)	91001056	2	All	32.40 [14.70]
	Trunnion Clamp Casting - 8-1/2" "C" Dimension (-4 Models)	91001058	2	All	37.20 [16.87]
7	Spring Saddle Casting	91010021	2	All	5.20 [2.36]
8	U-Bolt 1-1/8-7 x 11" Gr8	90042796	4	All	6.76 [3.06]
9	Lock Nut 1-1/8-7 GrC	93400506	8	All	0.38 [0.17]
10	Cap Screw 3/4-10 x 4-1/2" Gr5	93003621	4	All	1.00 [0.50]
11	Lock Nut 3/4-10 GrB	93400492	12	All	0.13 [0.06]
12	Washer 3/4"	93600156	12	All	0.04 [0.02]
13	Cap Screw 5/8-11 x 2" Gr5	93003345	8	All	0.33 [0.15]
14	Cap Screw 3/4-10 x 2-1/2" Gr8	93003575	8	All	0.46 [0.21]
15	Lock Nut 5/8-11 GrB	93400488	8	All	0.07 [0.03]
15	Washer 5/8"	93600150	8	All	0.03 [0.01]
17	U-Bolt 1-8 x 10-1/2" Gr8 (5" Round)	90041324	8	All	4.73 [2.15]
	U-Bolt 1-8 x 12" Gr8 (5-3/4" and 6" Round)	90041354	8	USR-442	5.35 [2.43]
18	Spring End Cap Casting (5" Round)	91010041	4	USR-426-A, 432, 436	12.00 [5.44]
	Spring End Cap Casting (5" Round)	91010033	4	USR-442	14.00 [6.35]
	Spring End Cap Casting (5-3/4" and 6" Round)	91010034	4	USR-442	14.00 [6.35]
19	Spring End Rubber Pad	91028089	4	USR-426-A	0.70 [0.32]
	Spring End Rubber Pad	91028152	4	USR-432, 436, 442	0.70 [0.32]
20	Spring End Pad (5" Round)	91001038	4	All	16.90 [7.67]
	Spring End Pad (5-3/4" and 6" Round)	91001050	4	All	18.00 [8.16]
21	Lock Nut 1-8 GrC	93400502	16	All	0.34 [0.15]
22	Washer 1"	93600168	16	All	0.08 [0.04]
23	Washer 1-1/8"	93600174	8	All	0.11 [0.05]
24	Clip Spacer	91038001	4	All	1.00 [0.45]
25	Lock Nut 7/16-14	93400476	4	All	0.33 [0.15]
26	Clip Bolt 7/16-14 x 6-1/2"	93002811	4	All	N/A
27	Spring Clip 4"	91023026	1	USR-426-A, 432	2.30 [1.04]
	Spring Clip 4-1/2"	91023027	1	USR-436	2.50 [1.13]
	Spring Clip 5-1/4"	91023028	1	USR-442	2.70 [1.22]

NOTE: Spring Assemblies should be replaced in pairs.

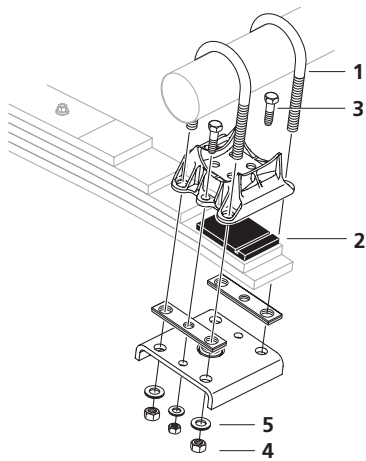


**DISCONTINUED MODEL
SERVICE PARTS ONLY**

Please contact Customer Service for part availability
800.876.3929

SERVICE COMPONENTS					
ITEM	DESCRIPTION	PART NUMBER	QTY REQD	MODEL	WEIGHT LBS. [kg]
1	Spring Assembly 5 Leaf - 2 Main Leaf	91557018	2	USR-536	N/A
	Spring Assembly 6 Leaf - 3 Main Leaf	91557019	2	USR-542	N/A
	Spring Assembly 7 Leaf - 3 Main Leaf	91557020	2	USR-550	N/A
	Spring Assembly 9 Leaf - 3 Main Leaf	91557021	2	USR-560	N/A
2	Trunnion Tube 4" OD x 1/2" Wall x 48" (Other Sizes Available)	91038003	1	USR-536	74.95 [34.00]
	Trunnion Tube 4" OD x 1/2" Wall x 48" HT (Other Sizes Available)	91038004	1	USR-542, 550, 560	74.95 [34.00]
3	Trunnion Rubber Cap	91010047	2	All	20.40 [9.25]
4	Trunnion Spring Seat (Includes Key #27)	91501036	2	USR-536	25.00 [11.34]
	Trunnion Spring Seat (Includes Key #27)	91501037	2	USR-542	25.00 [11.34]
	Trunnion Spring Seat (Includes Key #27)	91501038	2	UST-550	N/A
	Trunnion Spring Seat (Includes Key #27)	91501039	2	USR-560	25.00 [11.34]
5	Trunnion Rubber Bushing	91008022	2	All	2.23 [1.01]
6	Trunnion Clamp Casting - 2-1/2" "C" Dimension (-1 Models)	91001054	2	All	18.30 [8.30]
	Trunnion Clamp Casting - 4-1/2" "C" Dimension (-2 Models)	91001055	2	All	26.30 [11.93]
	Trunnion Clamp Casting - 6-1/2" "C" Dimension (-3 Models)	91001056	2	All	32.40 [14.70]
	Trunnion Clamp Casting - 8-1/2" "C" Dimension (-4 Models)	91001058	2	All	37.20 [16.87]
7	Spring Saddle Casting	91010021	2	All	5.20 [2.36]
8	U-Bolt 1-1/8-7 x 11" Gr8	90042796	4	USR-536, 542	6.76 [3.06]
	U-Bolt 1-1/8-7 x 12" Gr8	90041698	4	USR-550	7.23 [3.28]
	U-Bolt 1-1/8-7 x 12-1/2" Gr8	90041700	4	USR-560	7.47 [3.39]
9	Lock Nut 1-1/8-7 GrC	93400506	8	All	0.38 [0.17]
10	Cap Screw 3/4-10 x 4-1/2" Gr5	93003621	4	All	1.00 [0.50]
11	Lock Nut 3/4-10 GrB	93400492	12	All	0.13 [0.06]
12	Washer 3/4"	93600156	12	All	0.04 [0.02]
13	Cap Screw 5/8-11 x 2" Gr5	93003345	8	All	0.33 [0.15]
14	Cap Screw 3/4-10 x 2-1/2" Gr8	93003575	8	All	0.46 [0.21]
15	Lock Nut 5/8-11 GrB	93400488	8	All	0.07 [0.03]
16	Washer 5/8"	93600150	8	All	0.03 [0.01]
17	U-Bolt 1-8 x 10-1/2" Gr8 (5" Round)	90041324	8	All	4.73 [2.15]
	U-Bolt 1-8 x 12" Gr8 (5-3/4" and 6" Round)	90041354	8	USR-542, 550, 560	5.35 [2.43]
18	Spring End Cap (5" Round)	91010041	4	USR-536	12.00 [5.44]
	Spring End Cap (5" Round)	91010033	4	USR-542, 550, 560	14.00 [6.35]
	Spring End Cap (5-3/4" and 6" Round)	91010034	4	USR-542, 550, 560	14.00 [6.35]
19	Spring End Rubber Pad	91028152	4	All	0.70 [0.32]
20	Spring End Pad (5" Round)	91001038	4	All	16.90 [7.67]
	Spring End Pad (5-3/4" and 6" Round)	91001050	4	USR-542, 550, 560	18.00 [8.16]
21	Lock Nut 1-8 GrC	93400502	16	All	0.34 [0.15]
22	Washer 1"	93600168	16	All	0.08 [0.04]
23	Washer 1-1/8"	93600174	8	All	0.11 [0.05]
24	Clip Spacer	91038001	4	All	1.00 [0.45]
25	Lock Nut 7/16-14	93400476	4	All	0.33 [0.15]
26	Clip Bolt 7/16-14 x 6-1/2"	93002811	4	All	N/A
27	Spring Clip 4-1/2"	91023027	1	USR-536	2.50 [1.13]
	Spring Clip 5-1/4"	91023028	1	USR-542	2.70 [1.22]
	Spring Clip 6"	91023029	1	USR-550	2.90 [1.32]
	Spring Clip 7-1/2"	91023030	1	USR-560	3.40 [1.54]

NOTE: Spring Assemblies should be replaced in pairs.



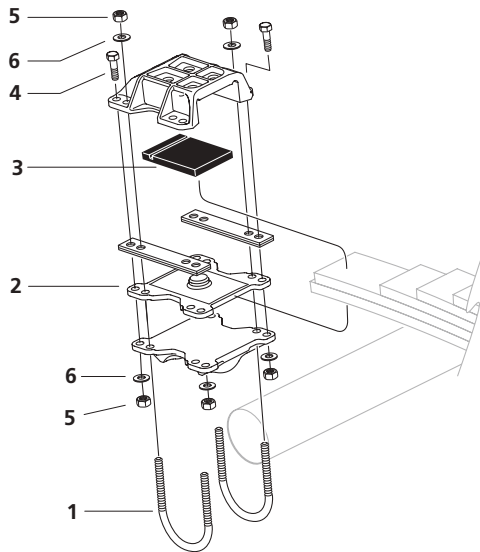
SRK-23 - Axle

48100020

ITEM	DESCRIPTION	PART NUMBER	QTY	WEIGHT LBS. [kg]
1	U-Bolt, 5/8" - 11	90041067	4	1.34 [0.61]
2	Spring End Rubber Pad	91028152	2	0.70 [0.32]
3	Hex Head Bolt, 5/8" - 11	93003345	8	0.33 [0.15]
4	Lock Nut, 5/8" - 11	93400490	16	0.07 [0.03]
5	Washer, 5/8"	93600150	32	0.03 [0.01]

Used on all TS models, 5" round axles.

NOTE: One (1) SRK required per axle.



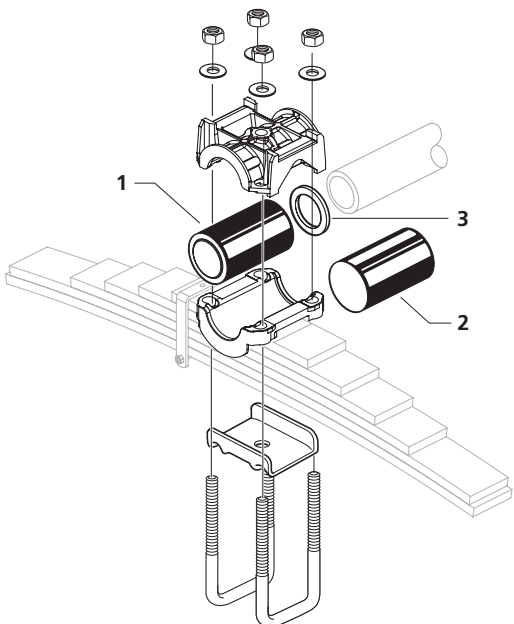
SRK-25 - Axle

48100042

ITEM	DESCRIPTION	PART NUMBER	QTY	WEIGHT LBS. [kg]
1	U-Bolt, 5/8" - 11	90041067	4	1.34 [0.61]
2	Spring End Pad Casting	91001049	2	12.30 [5.58]
3	Spring End Rubber Pad	91028152	2	0.70 [0.32]
4	Cap Screw, 5/8" - 11	93003359	8	0.27 [0.12]
5	Lock Nut, 5/8" - 11	93400490	16	0.07 [0.03]
6	Washer, 5/8"	93600150	32	0.03 [0.01]

Used on all TS models, 5" round axles.

NOTE: One (1) SRK required per axle.



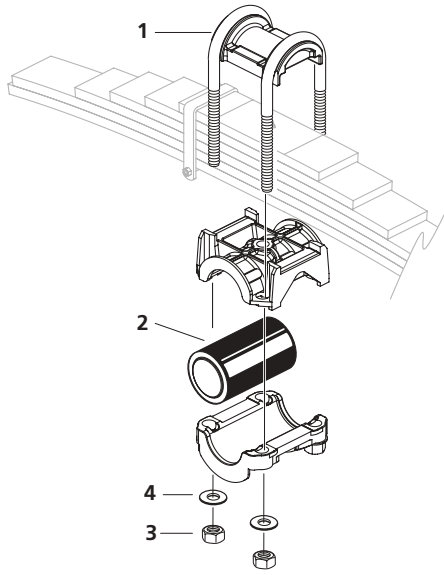
SRK-52-1 - Trunnion

48100147

ITEM	DESCRIPTION	PART NUMBER	QTY	WEIGHT LBS. [kg]
1	Rubber Trunnion Bushing	90008043	2	2.28 [1.03]
2	Trunnion Fiber Bearing	90008044	2	0.27 [0.12]
3	Thrust Washer	93600424	4	0.50 [0.23]

Used on all TS and USR models.

NOTE: One (1) SRK required per axle.



SRK-136 - Trunnion

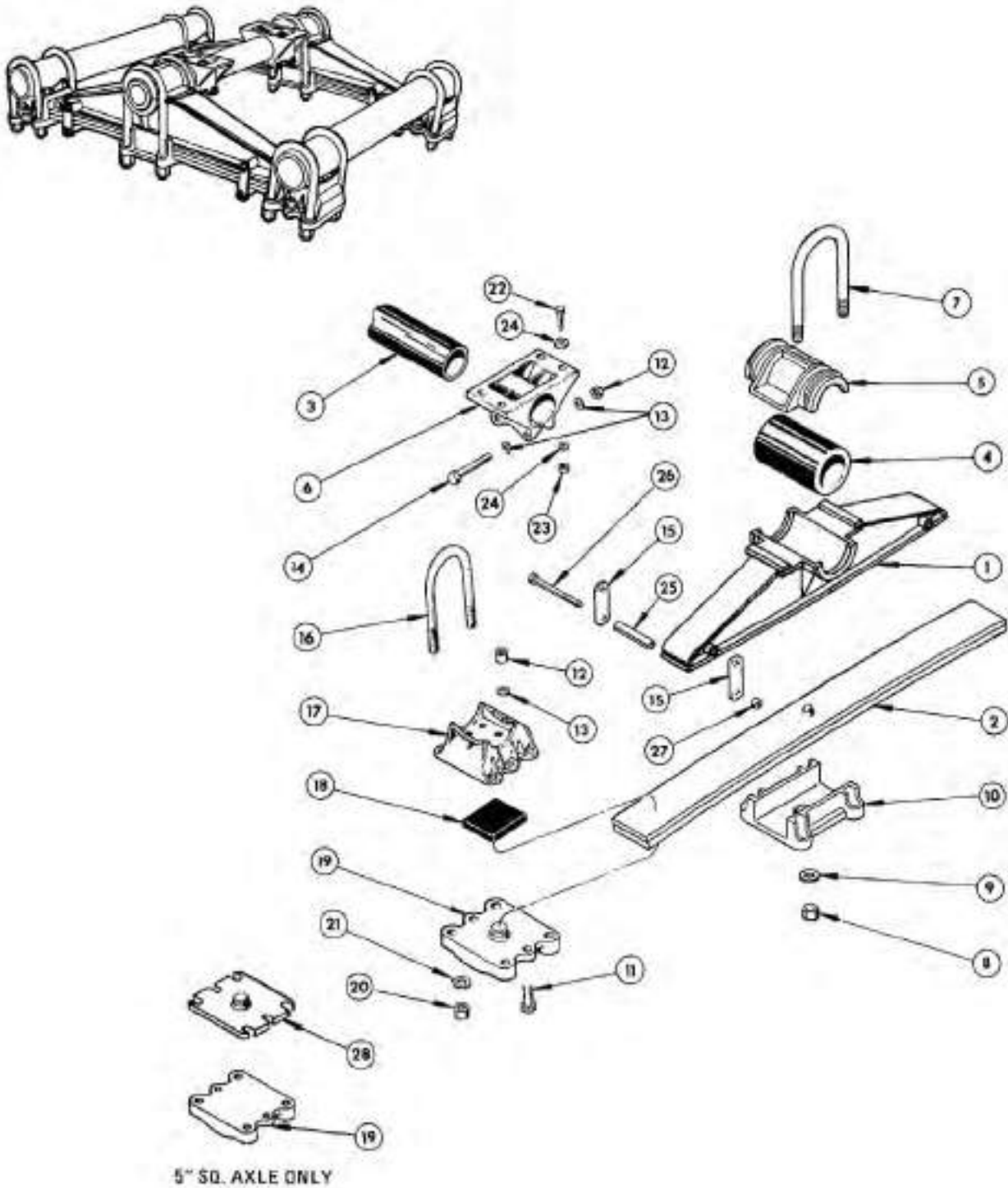
48100190

ITEM	DESCRIPTION	PART NUMBER	QTY	WEIGHT LBS. [kg]
1	U-Bolt, 1-1/8" - 7	90042796	4	6.76 [3.06]
2	Rubber Trunnion Bushing	91008022	2	2.23 [1.01]
3	Lock Nut, 1-1/8" - 7	93400506	8	0.38 [0.17]
4	Washer, 1-1/8"	93600174	8	0.11 [0.05]

Only used on TS-4440 and USR-4440 models.

NOTE: One (1) SRK required per suspension.

SB-360-B, -500-B, -600-B Spring Beam Exploded View



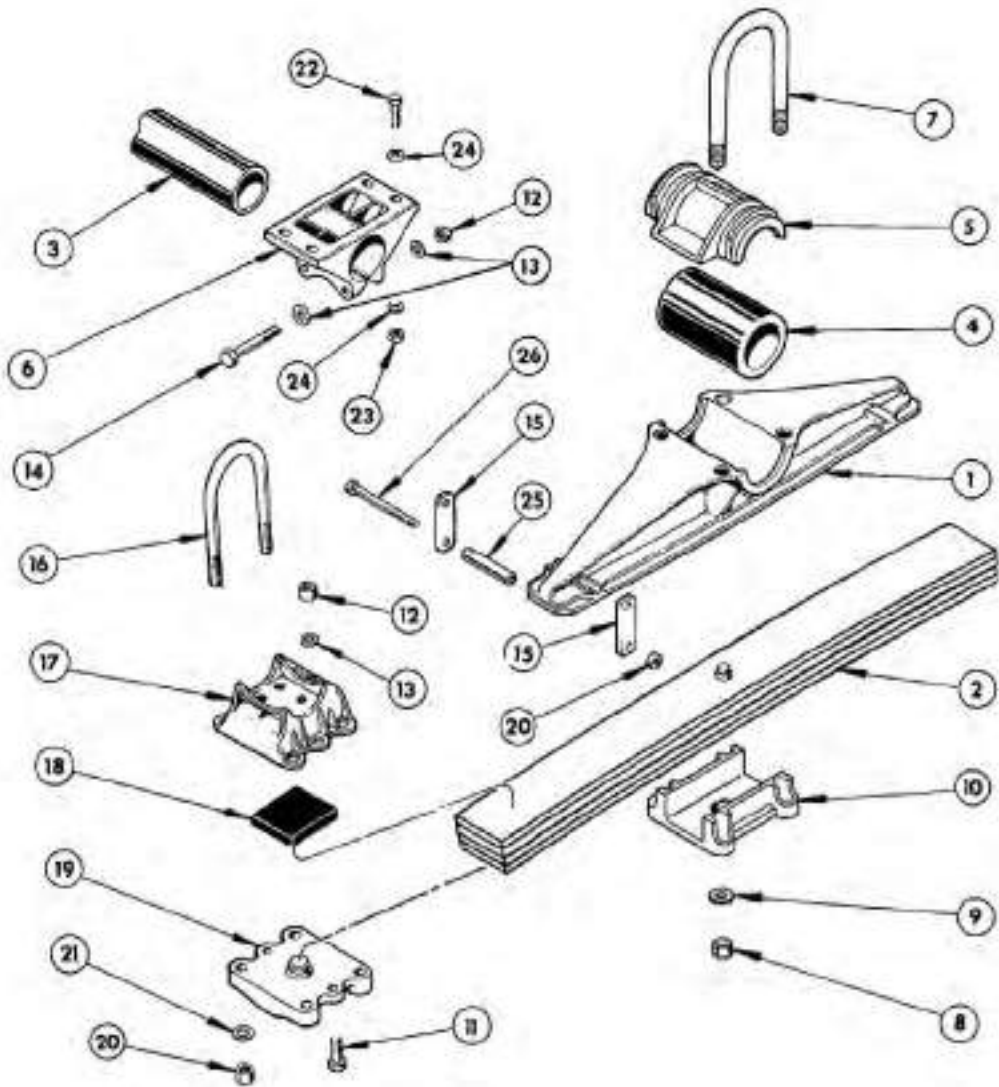
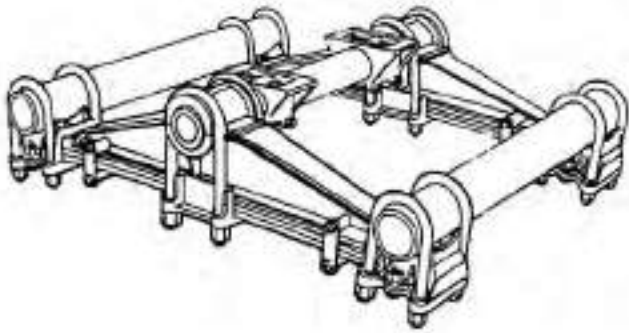
**DISCONTINUED MODEL
SERVICE PARTS ONLY**

Please contact Customer Service for part availability
800.876.3929

SERVICE COMPONENTS					
ITEM	DESCRIPTION	PART NUMBER	QTY REQD	MODEL	WEIGHT LBS. [kg]
1	Equalizing Beam	91515108	2	All	101.00 [45.81]
2	Spring Assembly 2 Leaf	91557100	2	SB-360-B, 500-B	109.00 [49.44]
	Spring Assembly 2 Leaf	91557136	2	SB-600-B	126.00 [57.15]
3	Trunnion Tube 4" OD x 1/2" Wall x 48" (Other Sizes Available)	91038003	1	SB-360-B	74.95 [34.00]
	Trunnion Tube 4" OD x 1/2" Wall x 48" HT (Other Sizes Available)	91038004	1	SB-500-B, 600-B	74.95 [34.00]
4	Trunnion Rubber Bushing	91008022	2	All	2.23 [1.01]
5	Trunnion Rubber Cap Casting	91010089	2	All	12.00 [5.44]
6	Trunnion Clamp Casting	91001054	2	All	18.30 [8.30]
7	U-Bolt 1-1/8-7 x 14" Gr8	90041478	4	All	7.77 [3.52]
8	Lock Nut 1-1/8-7 GrC	93400506	8	All	0.38 [0.17]
9	Washer 1-1/8"	93600174	8	All	0.11 [0.05]
10	Spring Saddle Casting	90101103	2	All	N/A
11	Cap Screw 3/4-10 x 12 x 2-1/2" Gr8	93003575	8	All	0.46 [0.21]
12	Lock Nut 3/4-10 GrB	93400492	12	All	0.13 [0.06]
13	Washer 3/4"	93600156	16	All	0.04 [0.02]
14	Cap Screw 3/4-10 x 4-1/2" Gr5	93003621	4	All	1.00 [0.50]
15	Spring Clip	91023056	8	All	1.00 [0.45]
16	U-Bolt 1-8 x 10-1/2" Gr8 (5" Round)	90041324	8	All	4.73 [2.15]
	U-Bolt 1-8 x 11" Gr8 (5-3/4" and 6" Round)	90041350	8	SB-500-B, 600-B	5.02 [2.28]
	U-Bolt 1-8 x 11" Gr8 (5" Square)	90041971	8	All	6.00 [2.72]
17	Spring End Cap Casting (5" Round)	91010041	4	All	12.00 [5.44]
	Spring End Cap Casting (5-3/4" and 6" Round)	91010130	4	SB-500-B, 600-B	13.70 [6.21]
	Spring End Cap Casting (5" Square)	91001188	4	All	11.00 [5.00]
18	Spring End Rubber Pad	91028153	4	All	0.90 [0.41]
19	Spring End Pad Casting (5" Round)	91001038	4	All	16.90 [7.67]
	Spring End Pad Casting (5-3/4" and 6" Round)	91001050	4	SB-500-B, 600-B	18.00 [8.16]
	Spring End Pad Casting (5" Square)	91001182	4	All	11.00 [5.00]
20	Lock Nut 1-8 GrC	93400502	16	All	0.34 [0.15]
21	Washer 1"	93900027	16	All	0.04 [0.02]
22	Cap Screw 5/8-11 x 2" Gr5	93003345	8	All	0.33 [0.15]
23	Lock Nut 5/8-11 GrB	93400488	8	All	0.07 [0.03]
24	Washer 5/8"	93600150	16	All	0.03 [0.01]
25	Spring Clip Spacer	91036008	4	All	1.00 [0.45]
26	Cap Screw 5/8-11 x 7" Gr5	93003465	8	All	1.00 [0.45]
27	Hex Nut 5/8-11 GrB	93400488	8	All	0.07 [0.03]
28	Adjustable Spring End Pad (5" Square)	91001181	4	All	8.00 [3.63]

NOTE: Spring Assemblies should be replaced in pairs.

SB-660-HD-A Spring Beam Exploded View

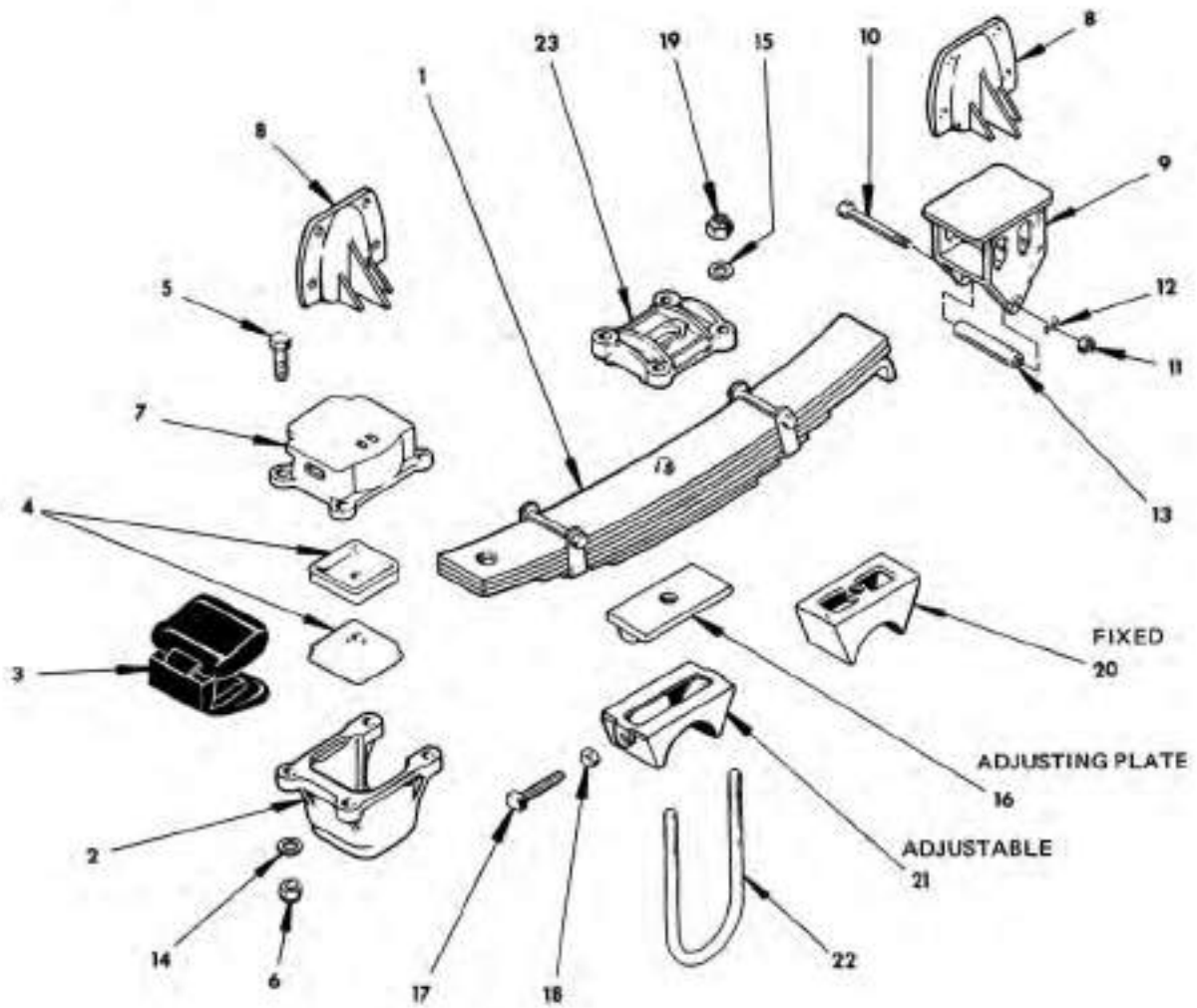
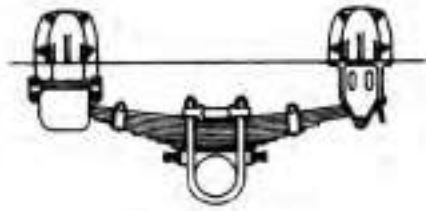


**DISCONTINUED MODEL
SERVICE PARTS ONLY**
Please contact Customer Service for part availability
800.876.3929

SERVICE COMPONENTS					
ITEM	DESCRIPTION	PART NUMBER	QTY REQD	MODEL	WEIGHT LBS. [kg]
1	Equalizing Beam	91015025	2	All	N/A
2	Spring Assembly 4 Leaf	91557122	2	All	N/A
3	Trunnion Tube 4" OD x 1/2" Wall x 48"HT (Other Sizes Available)	91038004	1	All	74.95 [34.00]
4	Trunnion Rubber Bushing	91008022	2	All	2.23 [1.01]
5	Trunnion Rubber Cap Casting	91010089	2	All	12.00 [5.44]
6	Trunnion Clamp Casting	91001054	2	All	18.30 [8.30]
7	U-Bolt 1-1/8-7 x 15" Gr8	90041482	4	All	8.23 [3.74]
8	Lock Nut 1-1/8-7 GrC	93400506	8	All	0.38 [0.17]
9	Washer 1-1/8"	93600030	8	All	0.07 [0.03]
10	Spring Saddle Casting	91001103	2	All	17.00 [7.71]
11	Cap Screw 3/4-10 x 2-1/2" Gr8	93003575	8	All	0.46 [0.21]
12	Lock Nut 3/4010 GrB	93400492	12	All	0.13 [0.06]
13	Washer 3/4	93600005	16	All	0.04 [0.02]
14	Cap Screw 3/4-10 x 5" Gr5	93003633	4	All	0.72 [0.33]
15	Spring Clip	91031058	8	All	N/A
16	U-Bolt 1-8 x 10-1/2" Gr8 (5" Round)	90041324	8	All	4.73 [2.15]
	U-Bolt 1-8 x 12" Gr8 (5-3/4" and 6" Round)	90041354	8	All	5.35 [2.43]
17	Spring End Cap Casting (5" Round)	91010032	4	All	N/A
	Spring End Cap Casting (5-3/4" and 6" Round)	91010145	4	All	N/A
18	Spring End Rubber Pad	91028153	4	All	0.90 [0.41]
19	Spring End Pad Casting (5" Round)	91501008	4	All	16.90 [7.67]
	Spring End Pad Casting (5-3/4" and 6" Round)	91501044	4	All	N/A
20	Lock Nut 1-8 GrC	93400502	24	All	0.34 [0.15]
21	Washer 1"	93900027	16	All	0.04 [0.02]
22	Cap Screw 5/8-11 x 2" Gr5	93003345	8	All	0.33 [0.15]
23	Lock Nut 5/8-11 GrB	93400488	8	All	0.07 [0.03]
24	Washer 5/8"	93600150	16	All	0.03 [0.01]
25	Spring Clip Spacer	91036007	4	All	1.00 [0.45]
26	Cap Screw 1-8 x 7" Gr5	93004323	8	All	N/A

NOTE: Spring Assemblies should be replaced in pairs.

SL-618-1, -2, -3, -4, -5 Single Axle Spring Exploded View

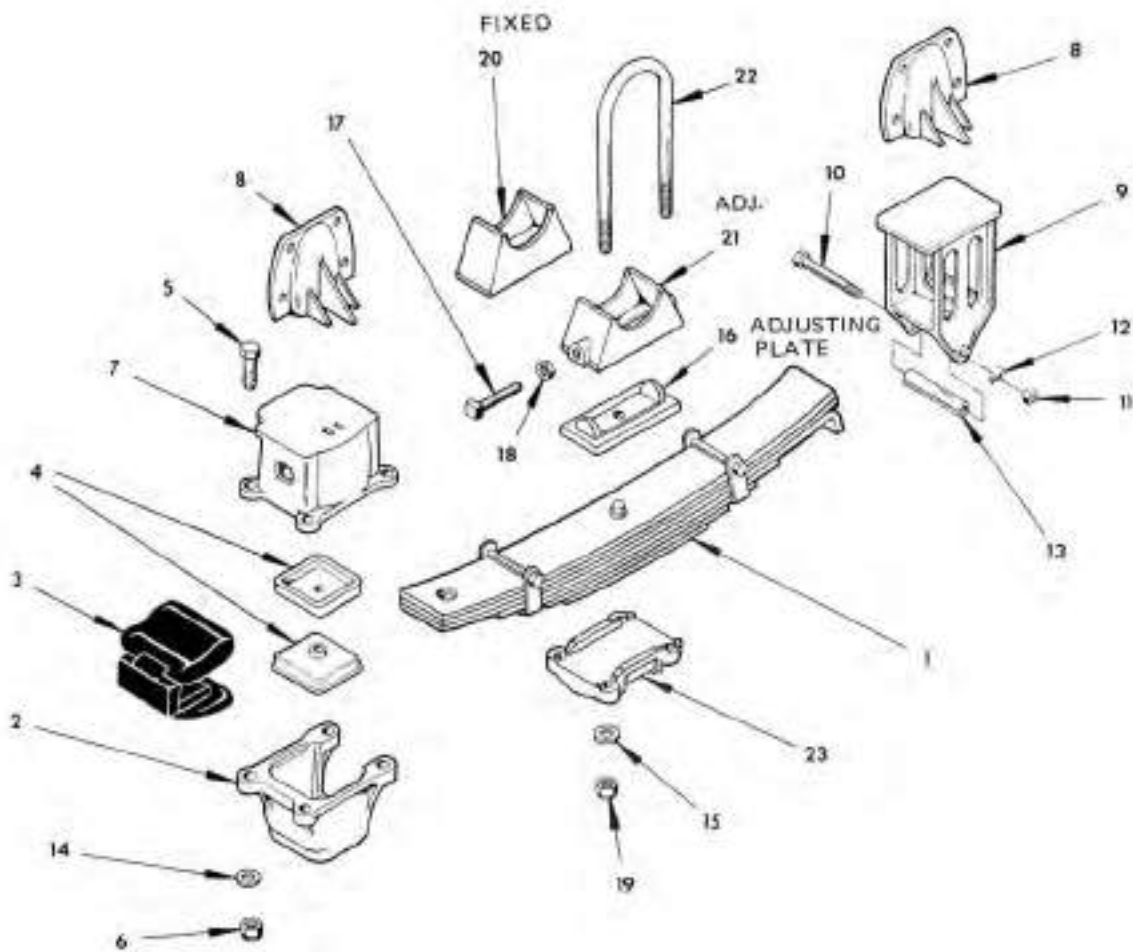
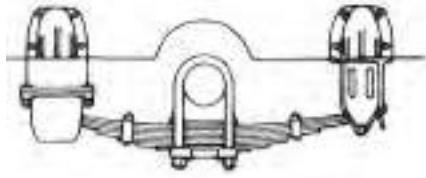


DISCONTINUED MODEL SERVICE PARTS ONLY

Please contact Customer Service for part availability
800.876.3929

SERVICE COMPONENTS					
ITEM	DESCRIPTION	PART NUMBER	MODEL	QTY	WEIGHT LBS. [kg]
1	Spring Assembly 7 Leaf 4 Wide	91557005	All	2	90.00 [40.82]
2	Spring End Housing	91010054	All	2	13.00 [5.90]
3	Spring End Rubber Boot	91008032	All	2	3.25 [1.47]
4	Spring End Retainer	91001062	All	4	1.70 [0.77]
5	Cap Screw 5/8-11 x 2 1/2 GR8	93003359	All	8	0.27 [0.12]
6	Lock Nut 5/8-11 GRC	93400490	All	8	0.07 [0.03]
7	Frame Mtg Brkt LH 2 1/2 High	91018011	SL-618-1	1	13.40 [6.08]
	Frame Mtg Brkt RH 2 1/2 High	91018012	SL-618-1	1	13.40 [6.08]
	Frame Mtg Brkt LH 4 High	91018009	SL-618-2, SL-618-3	1	25.00 [11.34]
	Frame Mtg Brkt RH 4 High	91018010	SL-618-2, SL-618-3	1	25.00 [11.34]
	Frame Mtg Brkt LH 6 High	91018016	SL-618-4, SL-618-5	1	17.52 [7.95]
	Frame Mtg Brkt RH 6 High	91018017	SL-618-4, SL-618-5	1	17.52 [7.95]
8	Frame Mtg Brkt Flange	91044007	All	4	4.60 [2.09]
9	Slipper End Spr Hanger	91018015	SL-618-1	2	N/A
	Slipper End Spr Hanger	91018013	SL-618-2, SL-618-3	2	N/A
	Slipper End Spr Hanger	91018014	SL-618-4, SL-618-5	2	22.00 [9.98]
10	Cap Screw 1/2-13 x 5 1/2 GR5	93003003	All	2	0.33 [0.15]
11	Lock Nut 1/2-13 GRB	93400480	All	2	0.04 [0.02]
12	Washer 1/2	93600138	All	2	0.02 [0.01]
13	Pipe Spacer 1/2	91036100	All	2	1.00 [0.45]
14	Washer 5/8 HT	93900025	All	8	0.02 [0.01]
15	Washer 7/8	93600162	All	8	0.06 [0.03]
16	Axle Algn Plate	91001078	All	1	3.00 [1.36]
17	Set Screw 3/4-10 x 3 1/4	93200079	All	2	0.50 [0.23]
18	Jam Nut 3/4-10 GRB	93400268	All	2	0.33 [0.15]
19	Lock Nut 7/8-9 GRB	93400496	All	8	0.20 [0.09]
20	Axle Seat Fixed 3 1/4 High	91001075	SL-618-1, SL-618-2, SL-618-4	1	5.32 [2.41]
	Axle Seat Fixed 4 3/4 High	91001070	SL-618-3, SL-618-5	1	8.00 [3.63]
21	Axle Seat Adj. 3 1/4 High	91001072	SL-618-1, SL-618-2, SL-618-4	1	5.00 [2.27]
	Axle Seat Adj. 4 3/4 High	91001077	SL-618-3, SL-618-5	1	6.00 [2.72]
22	U-Bolt 7/8-9 x 11 GR8	90041170	SL-618-1, SL-618-2, SL-618-4	4	3.75 [1.70]
	U-Bolt 7/8-9 x 12 GR8	90041174	SL-618-3, SL-618-5	4	4.03 [1.83]
23	Top U-Bolt Plate	91010108	All	2	12.50 [5.67]

NOTE: Spring Assemblies should be replaced in pairs.



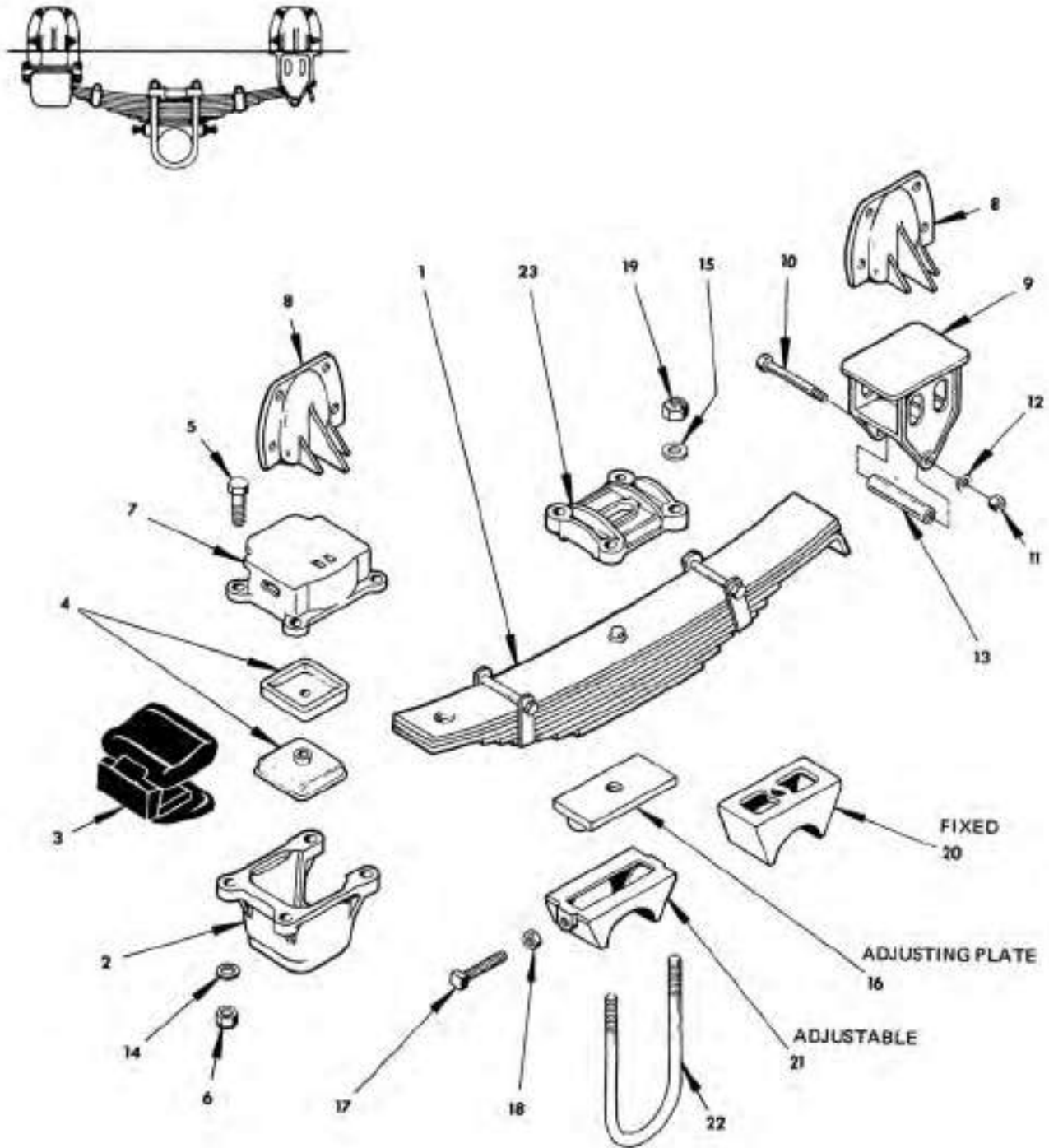
**DISCONTINUED MODEL
SERVICE PARTS ONLY**

Please contact Customer Service for part availability
800.876.3929

SERVICE COMPONENTS					
ITEM	DESCRIPTION	PART NUMBER	MODEL	QTY	WEIGHT LBS. [kg]
1	Spring Assembly Leaf 4 Wide	91557005	All	2	90.00 [40.82]
2	Spring End Housing	91010054	All	2	13.00 [5.90]
3	Spring End Rubber Boot	91008032	All	2	3.25 [1.47]
4	Spring End Retainer	91001062	All	4	1.70 [0.77]
5	Cap Screw 5/8-11 x 2 1/2 GR8	93003359	All	8	0.27 [0.12]
6	Lock Nut 5/8-11 GRC	93400490	All	8	0.07 [0.03]
7	Frame Mtg Brkt LH 2 1/8 High	91018011	SL-618-1-US	1	13.40 [6.08]
	Frame Mtg Brkt RH 2 1/8 High	91018012	SL-618-1-US	1	13.40 [6.08]
	Frame Mtg Brkt LH 4 High	-	SL-618-2-US	1	N/A
	Frame Mtg Brkt RH 4 High	-	SL-618-2-US	1	N/A
	Frame Mtg Brkt LH 6 High	-	SL-618-3-US	1	N/A
	Frame Mtg Brkt RH 6 High	-	SL-618-3-US	1	N/A
8	Frame Mtg Brkt Flange	91044007	All	4	4.60 [2.09]
9	Slipper End Spr Hanger	91018015	SL-618-1-US	2	N/A
	Slipper End Spr Hanger	91018013	SL-618-2-US	2	N/A
	Slipper End Spr Hanger	91018014	SL-618-3-US	2	22.00 [9.98]
10	Cap Screw 1/2-13 x 5 1/2 GR5	93003003	All	2	0.33 [0.15]
11	Lock Nut 1/2-13 GRB	93400480	All	2	0.04 [0.02]
12	Washer 1/2	93600138	All	2	0.02 [0.01]
13	Pipe Spacer 1/2	91036100	All	2	1.00 [0.45]
14	Washer 5/8 HT	93900025	All	8	0.02 [0.01]
15	Washer 7/8	93600162	All	8	0.06 [0.03]
16	Axle Algn Plate	91001078	All	1	3.00 [1.36]
17	Set Screw 3/4-10 x 3 1/4	93200079	All	2	0.50 [0.23]
18	Jam Nut 3/4-10 GRB	93400268	All	2	0.33 [0.15]
19	Lock Nut 7/8-9 GRB	93400496	All	8	0.20 [0.09]
20	Axle Fixed 4 3/4 High	91001070	All	1	8.00 [3.63]
21	Axle Seat Adj. 4 3/4 High	91001077	All	1	6.00 [2.72]
22	U-Bolt 7/8-9 x 12	90041174	All	4	4.03 [1.83]
23	Top U-Bolt Plate	91010108	All	2	12.50 [5.67]

NOTE: Spring Assemblies should be replaced in pairs.

SL-622-1, -2, -3, -4, -5/SL-625-1, -2, -3, -4, -5 Single Axle Spring Exploded View



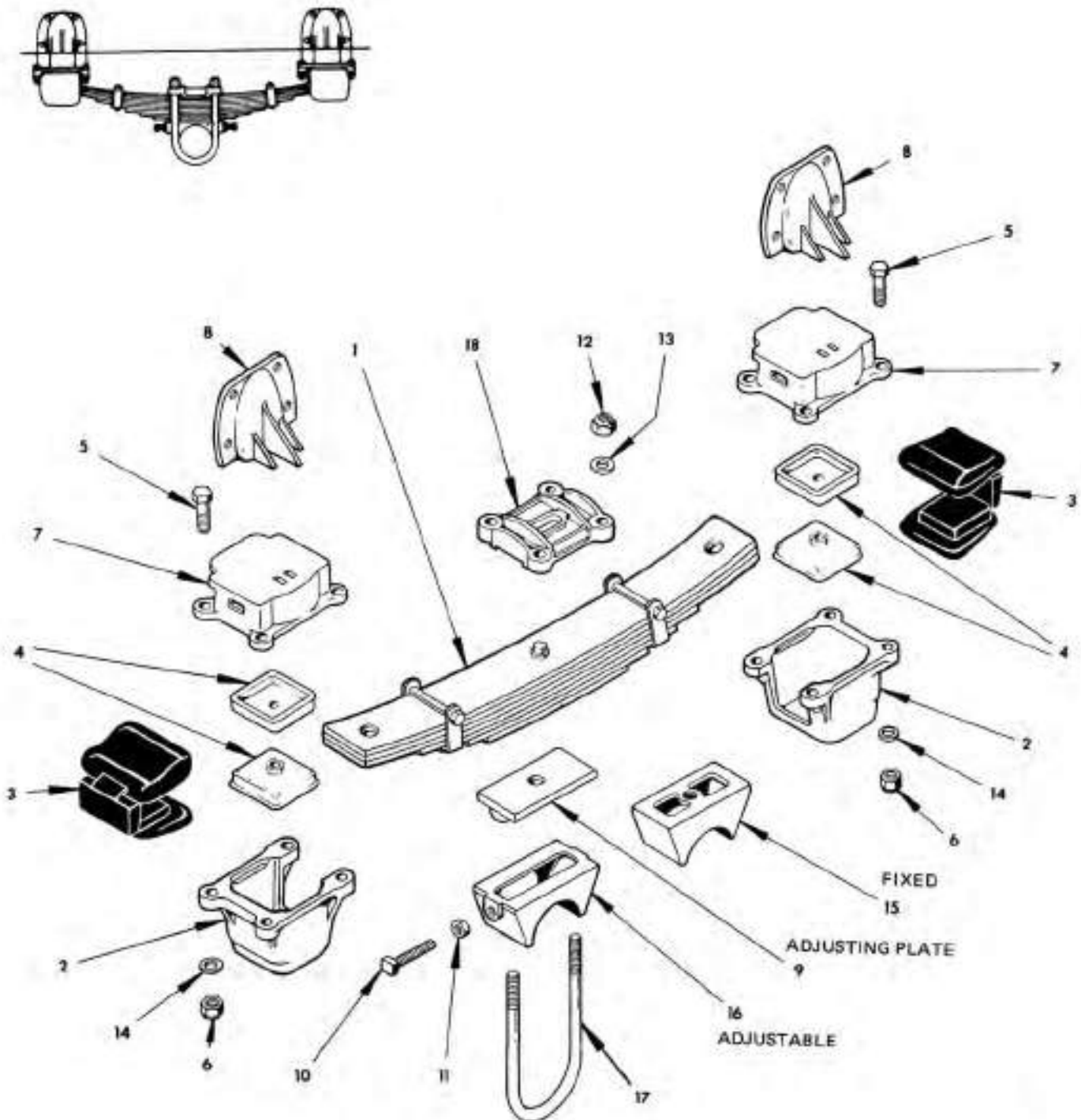
DISCONTINUED MODEL SERVICE PARTS ONLY

Please contact Customer Service for part availability
800.876.3929

SERVICE COMPONENTS						
ITEM	DESCRIPTION	PART NUMBER	MODEL	QTY	WEIGHT LBS. [kg]	
1	Spring Assembly 9 Leaf - 4 Wide (SL622 Models)	91557007	All	2	105.00 [47.63]	
	Spring Assembly 12 Leaf - 4 Wide (SL-625 Models)	91557009	All	2	78.00 [35.38]	
2	Spring End Housing	91010054	All	2	13.00 [5.90]	
3	Spring End Rubber Boot	91008032	All	2	3.25 [1.47]	
4	Spring End Retainer	91001062	All	4	1.70 [0.77]	
5	Cap Screw 5/8-11 x 2 1/2 GR8	93003359	All	8	0.27 [0.12]	
6	Lock Nut 5/8-11 GRC	93400490	All	8	0.07 [0.03]	
7	Frame Mtg Brkt LH 2 1/2 High	91018011	SL-622-1, SL-625-1	1	13.40 [6.08]	
	Frame Mtg Brkt RH 2 1/2 High	91018012	SL-622-1, SL-625-1	1	13.40 [6.08]	
	Frame Mtg Brkt LH 4 High	91018009	SL-622-2, SL-625-2, SL-622-3, SL-625-3	1	25.00 [11.34]	
	Frame Mtg Brkt RH 4 High	91018010	SL-622-2, SL-625-2, SL-622-3, SL-625-3	1	25.00 [11.34]	
	Frame Mtg Brkt LH 6 High	91018016	SL-622-4, SL-625-4, SL-622-5, SL-625-5	1	17.52 [7.95]	
	Frame Mtg Brkt RH 4 High	91018017	SL-622-4, SL-625-4, SL-622-5, SL-625-5	1	17.52 [7.95]	
8	Frame Mtg Brkt Flange	91044007	All	4	4.60 [2.09]	
9	Slipper End Spr Hanger	91018015	SL-622-1, SL-625-1	2	N/A	
	Slipper End Spr Hanger	91018013	SL-622-2, SL-625-2, SL-622-3, SL-625-3	2	N/A	
	Slipper End Spr Hanger	91018014	SL-622-4, SL-625-4, SL-622-5, SL-625-5	2	22.00 [9.98]	
10	Cap Screw 1/2-13 X 5 1/2 GRB	93003003	All	2	0.33 [0.15]	
11	Lock Nut 1/2-13 GRB	93400480	All	2	0.04 [0.02]	
12	Washer 1/2	93600138	All	2	0.02 [0.01]	
13	Pipe Spacer 1/2	91036100	All	2	1.00 [0.45]	
14	Washer 5/8 HT	93900025	All	8	0.02 [0.01]	
15	Washer 7/8	93600162	All	8	0.06 [0.03]	
16	Axle Algn Plate	91001078	All	1	3.00 [1.36]	
17	Set Screw 3/4-10 x 3 1/4	93200079	All	2	0.50 [0.23]	
18	Jam Nut 3/4-10 GRB	93400268	All	2	0.33 [0.15]	
19	Lock Nut 7/8-9 GRB	93400496	All	8	0.20 [0.09]	
20	Axle Seat Fixed 3 1/4 High 5 rd Axle	91001075	SL-622-1, SL-625-1, SL-622-2, SL-625-2, SL-622-4, SL-625-4	1	5.32 [2.41]	
	Axle Seat Fixed 4 3/4 High 5 rd Axle	91001070	SL-622-3, SL-625-3, SL-622-5, SL-625-5	1	8.00 [3.63]	
	Axle Seat Fixed 3 1/4 High 5 3/4 rd Axle	91001073	SL-622-1, SL-625-1, SL-622-2, SL-625-2, SL-622-4, SL-625-4	1	4.20 [1.91]	
	Axle Seat Fixed 4 3/4 High 5 3/4 rd Axle	91001122	SL-622-3, SL-625-3, SL-622-5, SL-625-5	1	N/A	
21	Axle Seat Adj. 3 1/4 High 5 rd Axle	91001072	SL-622-1, SL-625-1, SL-622-2, SL-625-2, SL-622-4, SL-625-4	1	5.00 [2.27]	
	Axle Seat Adj. 4 3/4 High 5 rd Axle	91001077	SL-622-3, SL-625-3, SL-622-5, SL-625-5	1	6.00 [2.72]	
	Axle Seat Adj. 3 1/4 High 5 3/4 rd Axle	91001124	SL-622-1, SL-625-1, SL-622-2, SL-625-2, SL-622-4, SL-625-4	1	N/A	
	Axle Seat Adj. 4 3/4 High 5 3/4 rd Axle	91001123	SL-622-3, SL-625-3, SL-622-5, SL-625-5	1	N/A	
22	U-Bolt 7/8-9 x 12 GR8 5 rd Axle (SL-622 Models)	90041174	SL-622-1, SL-625-1, SL-622-2, SL-625-2, SL-622-4, SL-625-4	4	4.03 [1.83]	
	U-Bolt 7/8-9 x 13 1/2 GR8 5 rd Axle (SL-622 Models)	90041180	SL-622-3, SL-625-3, SL-622-5, SL-625-5	4	4.44 [2.01]	
	U-Bolt 7/8-9 x 13 GR8 5 3/4 rd Axle (SL-622 Models)	90041253	SL-622-1, SL-625-1, SL-622-2, SL-625-2, SL-622-4, SL-625-4	4	N/A	
	U-Bolt 7/8-9 x 14 GR8 5 3/4 rd Axle (SL-622 Models)	90041257	SL-622-3, SL-625-3, SL-622-5, SL-625-5	4	N/A	
	U-Bolt 7/8-9 x 13 1/2 GR8 5 rd Axle (SL-625 Models)	90041180	SL-622-1, SL-625-1, SL-622-2, SL-625-2, SL-622-4, SL-625-4	4	4.44 [2.01]	
	U-Bolt 7/8-9 x 14 1/2 GR8 5 rd Axle (SL-625 Models)	90041184	SL-622-3, SL-625-3, SL-622-5, SL-625-5	4	N/A	
	U-Bolt 7/8-9 x 14 GR8 5 3/4 rd Axle (SL-625 Models)	90041257	SL-622-1, SL-625-1, SL-622-2, SL-625-2, SL-622-4, SL-625-4	4	N/A	
	U-Bolt 7/8-9 x 15 GR8 5 3/4 rd Axle (SL-625 Models)	90041261	SL-622-3, SL-625-3, SL-622-5, SL-625-5	4	N/A	
23	Top U-Bolt Plate 5 rd Axle	91010108	All	2	12.50 [5.67]	
	Top U-Bolt Plate 5 3/4 rd Axle	91010096	All	2	N/A	

NOTE: Spring Assemblies should be replaced in pairs.

SL-718-1, -2, -3, -4, -5 Single Axle Spring Exploded View

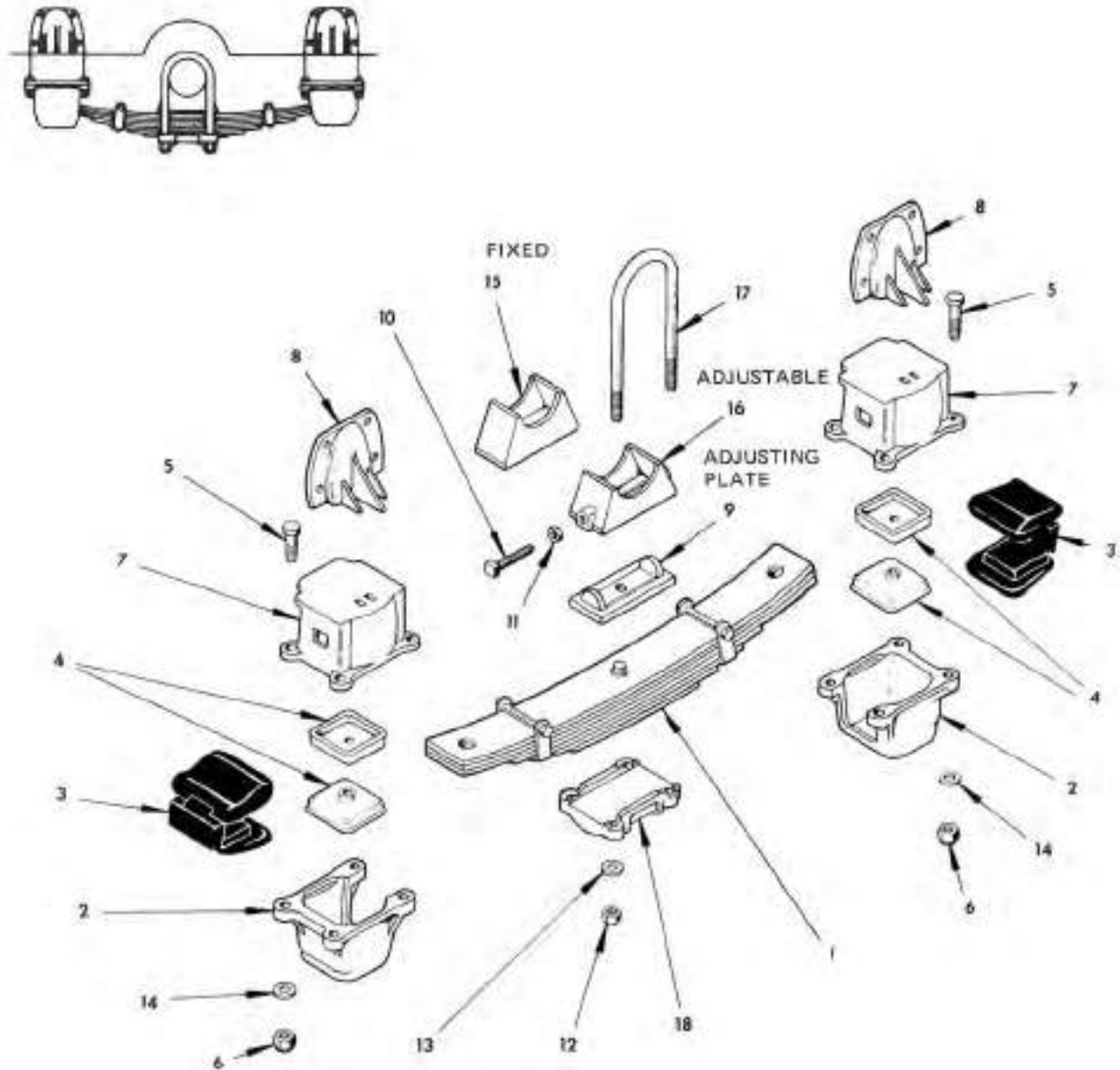


**DISCONTINUED MODEL
SERVICE PARTS ONLY**

Please contact Customer Service for part availability
800.876.3929

SERVICE COMPONENTS					
ITEM	DESCRIPTION	PART NUMBER	MODEL	QTY	WEIGHT LBS. [kg]
1	Spring Assembly 9 Leaf - 4 Wide	91557011	All	2	125.00 [56.70]
2	Spring End Housing	91010054	All	4	13.00 [5.90]
3	Spring End Rubber Boot	91008032	All	4	3.25 [1.47]
4	Spring End Pad & Boot Retainer	91001062	All	8	1.70 [0.77]
5	Cap Screw 5/8-11 x 2 1/2 GR8	93003359	All	16	0.27 [0.12]
6	Lock Nut 5/8-11 GRB	93400488	All	16	0.07 [0.03]
7	Frame Mtg Brkt LH 2 1/2 High	91018011	SL-718-1	2	13.40 [6.08]
	Frame Mtg Brkt RH 2 1/2 High	91018012	SL-718-1	2	13.40 [6.08]
	Frame Mtg Brkt LH 4 High	91018009	SL-718-2, SL-718-3	2	25.00 [11.34]
	Frame Mtg Brkt RH 4 High	91018010	SL-718-2, SL-718-3	2	25.00 [11.34]
	Frame Mtg Brkt LH 6 High	91018016	SL-718-4, SL-718-5	2	17.52 [7.95]
	Frame Mtg Brkt RH 6 High	91018017	SL-718-4, SL-718-5	2	17.52 [7.95]
8	Frame Mtg Brkt Flange	91044007	All	4	4.60 [2.09]
9	Axle Algn Plate	91001078	All	1	3.00 [1.36]
10	Set Screw 3/4-10 x 3 1/4	93200079	All	2	0.50 [0.23]
11	Jam Nut 3/4-10 GRB	93400268	All	2	0.33 [0.15]
12	Lock Nut 7/8-9 GRC	93400498	All	8	0.17 [0.08]
13	Washer 7/8 HT	93600162	All	8	0.06 [0.03]
14	Washer 5/8 HT	93900025	All	16	0.02 [0.01]
15	Axle Seat Fixed 3 1/4 High 4 1/2 rd Axle	91001074	SL-718-1, SL-718-2, SL-718-4	1	N/A
	Axle Seat Fixed 4 3/4 High 4 1/2 rd Axle	91001069	SL-718-3, SL-718-5	1	N/A
	Axle Seat Fixed 3 1/4 High 5 rd Axle	91001075	SL-718-1, SL-718-2, SL-718-4	1	5.32 [2.41]
	Axle Seat Fixed 4 3/4 High 5 rd Axle	91001070	SL-718-3, SL-718-5	1	8.00 [3.63]
16	Axle Seat Adj. 3 1/4 High 4 1/2 rd Axle	91001071	SL-718-1, SL-718-2, SL-718-4	1	N/A
	Axle Seat Adj. 4 3/4 High 4 1/2 rd Axle	91001076	SL-718-3, SL-718-5	1	N/A
	Axle Seat Adj. 3 1/4 High 5 rd Axle	91001072	SL-718-1, SL-718-2, SL-718-4	1	5.00 [2.27]
	Axle Seat Adj. 4 3/4 High 5 rd Axle	91001077	SL-718-3, SL-718-5	1	6.00 [2.72]
17	U-Bolt 7/8-9 x 11 1/2 GR8 4 1/2 rd Axle	90042106	SL-718-1, SL-718-2, SL-718-4	4	N/A
	U-Bolt 7/8-9 x 13 GR8 4 1/2 rd Axle	90042111	SL-718-3, SL-718-5	4	N/A
	U-Bolt 7/8-9 x 11 3/4 GR8 5 rd Axle	90041174	SL-718-1, SL-718-2, SL-718-4	4	4.03 [1.83]
	U-Bolt 7/8-9 x 13 1/2 GR8 5 rd Axle	90041180	SL-718-3, SL-718-5	4	4.44 [2.01]
18	Top U-Bolt Plate	91010108	All	2	12.50 [5.67]

NOTE: Spring Assemblies should be replaced in pairs.



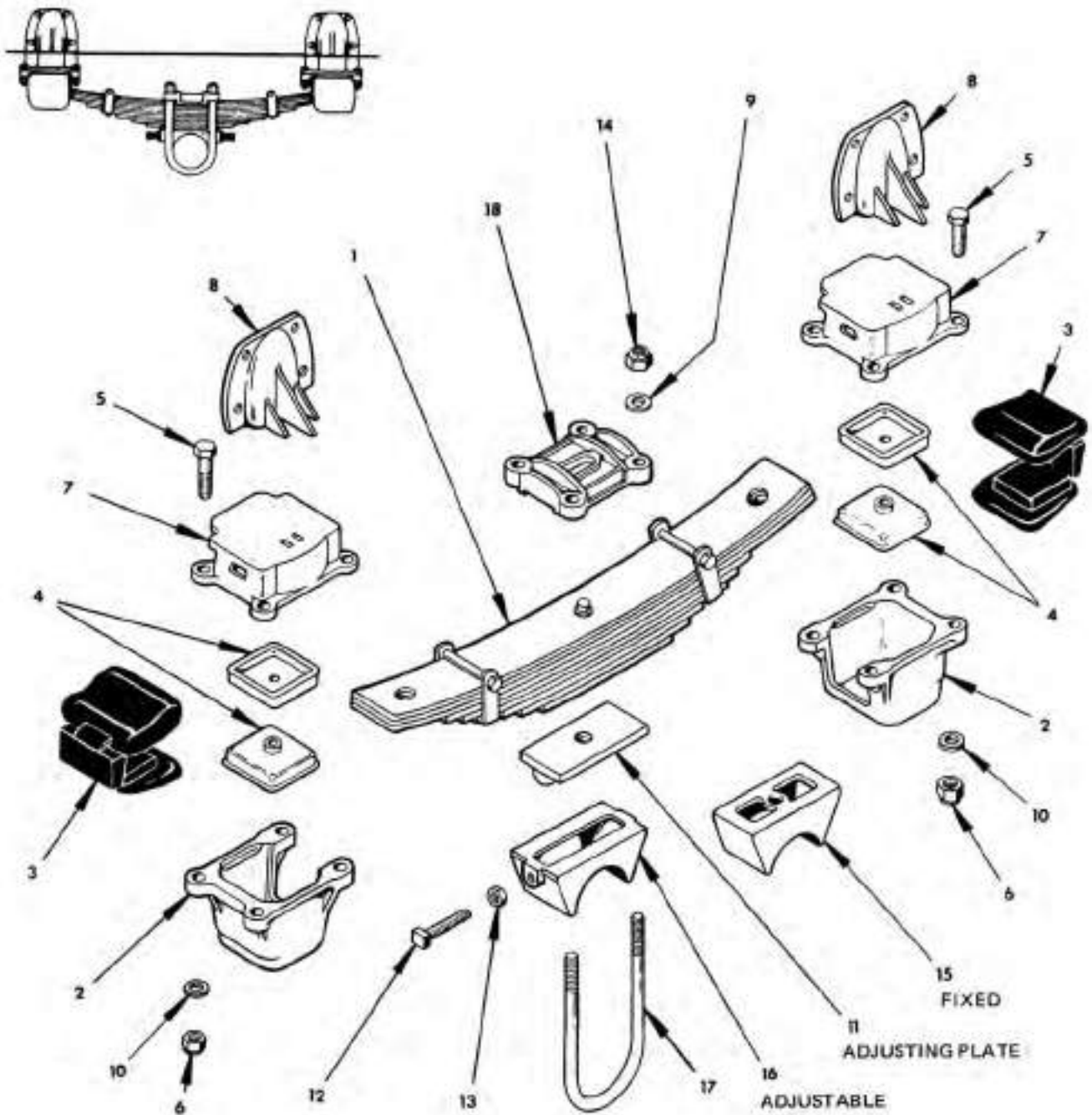
**DISCONTINUED MODEL
SERVICE PARTS ONLY**

Please contact Customer Service for part availability
800.876.3929

SERVICE COMPONENTS					
ITEM	DESCRIPTION	PART NUMBER	MODEL	QTY	WEIGHT LBS. [kg]
1	Spring Assembly 9 Leaf - 4 Wide	91557011	All	2	125.00 [56.70]
2	Spring End Housing	91010054	All	4	13.00 [5.90]
3	Spring End Rubber Boot	91008032	All	4	3.25 [1.47]
4	Spring End Retainer	91001062	All	8	1.70 [0.77]
5	Cap Screw 5/8-11 x 2 1/2 GR8	93003359	All	16	0.27 [0.12]
6	Lock Nut 5/8-11 GRC	93400490	All	16	0.07 [0.03]
7	Frame Mtg Brkt LH 2 1/2 High	91018011	SL-718-1-US	2	13.40 [6.08]
	Frame Mtg Brkt RH 2 1/2 High	91018012	SL-718-1-US	2	13.40 [6.08]
	Frame Mtg Brkt LH 4 High	91018009	SL-718-2-US	2	25.00 [11.34]
	Frame Mtg Brkt RH 4 High	91018010	SL-718-2-US	2	25.00 [11.34]
	Frame Mtg Brkt LH 6 High	91018016	SL-718-3-US	2	17.52 [7.95]
	Frame Mtg Brkt RH 6 High	91018017	SL-718-3-US	2	17.52 [7.95]
8	Frame Mtg Brkt Flange	91044007	All	4	4.60 [2.09]
9	Axle Algn Plate	91001078	All	1	3.00 [1.36]
10	Set Screw 3/4-10 x 3 1/4	93200079	All	2	0.50 [0.23]
11	Jam Nut 3/4-10 GRB	93400268	All	2	0.33 [0.15]
12	Lock Nut 7/8-9 GRB	93400496	All	8	0.20 [0.09]
13	Washer 7/8	93600162	All	8	0.06 [0.03]
14	Washer 5/8 HT	93900025	All	16	0.02 [0.01]
15	Axle Seat Fixed 4 3/4 High	91001070	All	1	8.00 [3.63]
16	Axle Seat Adj. 4 3/4 High	91001077	All	1	6.00 [2.72]
17	U-Bolt 7/8-9 x 13 1/2 GR8	90041180	All	4	4.44 [2.01]
18	Top U-Bolt Plate	91010108	All	2	12.50 [5.67]

NOTE: Spring Assemblies should be replaced in pairs.

SL-722-1, -2, -3, -4, -5/SL-725-1, -2, -3, -4, -5 Single Axle Spring Exploded View

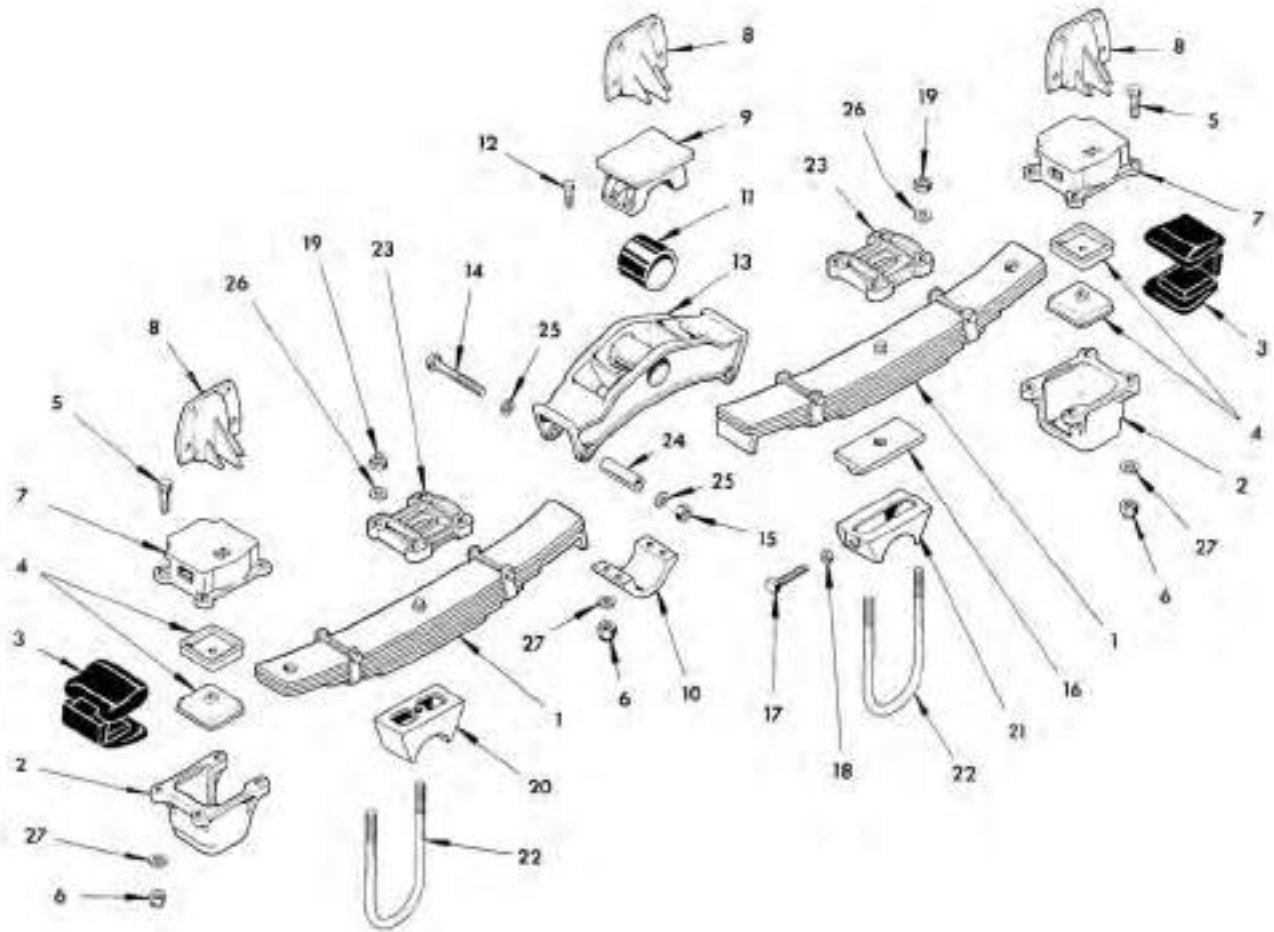


DISCONTINUED MODEL SERVICE PARTS ONLY

Please contact Customer Service for part availability
800.876.3929

SERVICE COMPONENTS					
ITEM	DESCRIPTION	PART NUMBER	MODEL	QTY	WEIGHT LBS. [kg]
1	Spring Assembly 10 Leaf - 4 Wide (SL-722 Models)	91557194	All	2	N/A
	Spring Assembly 11 Leaf - 4 Wide (SL-725 Models)	91557195	All	2	N/A
2	Spring End Housing	91010054	All	4	13.00 [5.90]
3	Spring End Rubber Boot	91008032	All	4	3.25 [1.47]
4	Spring End Retainer	91001062	All	8	1.70 [0.77]
5	Cap Screw 5/8-11 x 2 1/2 GR8	93003359	All	16	0.27 [0.12]
6	Lock Nut 5/8-11 GRC	93400490	All	16	0.07 [0.03]
7	Frame Mtg Brkt LH 2 1/2 High	91018011	SL-722-1, SL-725-1	2	13.40 [6.08]
	Frame Mtg Brkt RH 2 1/2 High	91018012	SL-722-1, SL-725-1	2	13.40 [6.08]
	Frame Mtg Brkt LH 4 High	91018009	SL-722-2, SL-725-2, SL-722-3, SL-725-3	2	25.00 [11.34]
	Frame Mtg Brkt RH 4 High	91018010	SL-722-2, SL-725-2, SL-722-3, SL-725-3	2	25.00 [11.34]
	Frame Mtg Brkt LH 6 High	91018016	SL-722-4, SL-725-4, SL-722-5, SL-725-5	2	17.52 [7.95]
	Frame Mtg Brkt RH 6 High	91018017	SL-722-4, SL-725-4, SL-722-5, SL-725-5	2	17.52 [7.95]
8	Frame Mtg Brkt Flange	91044007	All	4	4.60 [2.09]
9	Washer 7/8	93600162	All	8	0.06 [0.03]
10	Washer 5/8 HT	93900025	All	16	0.02 [0.01]
11	Axle Algn Plate	91001078	All	1	3.00 [1.36]
12	Set Screw 3/4-10 x 3 1/4	93200079	All	2	0.50 [0.23]
13	Jam Nut 3/4-10 GRB	93400268	All	2	0.33 [0.15]
14	Lock Nut 7/8-9 GRB	93400496	All	8	0.20 [0.09]
15	Axle Seat Fixed 3 1/4 High 5 rd Axle	91001075	SL-722-1, SL-725-1, SL-722-2, SL-725-2 SL-722-4, SL-725-4	1	5.32 [2.41]
	Axle Seat Fixed 4 3/4 High 5 rd Axle	91001070	SL-722-3, SL-725-3, SL-722-5, SL-725-5	1	8.00 [3.63]
	Axle Seat Fixed 3 1/4 High 5 3/4 rd Axle	91001073	SL-722-1, SL-725-1, SL-722-2, SL-725-2 SL-722-4, SL-725-4	1	4.20 [1.91]
	Axle Seat Fixed 4 3/4 High 5 3/4 rd Axle	91001122	SL-722-3, SL-725-3, SL-722-5, SL-725-5	1	N/A
16	Axle Seat Adj. 3 1/4 High 5 rd Axle	91001072	SL-722-1, SL-725-1, SL-722-2, SL-725-2 SL-722-4, SL-725-4	1	5.00 [2.27]
	Axle Seat Adj. 4 3/4 High 5 rd Axle	91001077	SL-722-3, SL-725-3, SL-722-5, SL-725-5	1	6.00 [2.72]
	Axle Seat Adj. 3 1/4 High 5 3/4 rd Axle	91001124	SL-722-1, SL-725-1, SL-722-2, SL-725-2 SL-722-4, SL-725-4	1	N/A
	Axle Seat Adj. 4 3/4 High 5 3/4 rd Axle	91001123	SL-722-3, SL-725-3, SL-722-5, SL-725-5	1	N/A
17	U-Bolt 7/8-9 x 12 GR8 5 rd Axle (SL-722 Models)	90041174	SL-722-1, SL-725-1, SL-722-2, SL-725-2 SL-722-4, SL-725-4	4	4.03 [1.83]
	U-Bolt 7/8-9 x 14 GR8 5 rd Axle (SL-722 Models)	90042113	SL-722-3, SL-725-3, SL-722-5, SL-725-5	4	N/A
	U-Bolt 7/8-9 x 13 GR8 5 3/4 rd Axle (SL-722 Models)	90041253	SL-722-1, SL-725-1, SL-722-2, SL-725-2 SL-722-4, SL-725-4	4	N/A
	U-Bolt 7/8-9 x 14 1/2 GR8 5 3/4 rd Axle (SL-722 Models)	90041259	SL-722-3, SL-725-3, SL-722-5, SL-725-5	4	N/A
	U-Bolt 7/8-9 x 12 GR8 5 rd Axle (SL-725 Models)	90041174	SL-722-1, SL-725-1, SL-722-2, SL-725-2 SL-722-4, SL-725-4	4	4.03 [1.83]
	U-Bolt 7/8-9 x 14 GR8 5 rd Axle (SL-725 Models)	90041184	SL-722-3, SL-725-3, SL-722-5, SL-725-5	4	N/A
	U-Bolt 7/8-9 x 13 1/2 GR8 5 3/4 rd Axle (SL-725 Models)	90041255	SL-722-1, SL-725-1, SL-722-2, SL-725-2 SL-722-4, SL-725-4	4	N/A
18	U-Bolt 7/8-9 x 15 GR8 5 3/4 rd Axle (SL-725 Models)	90041261	SL-722-3, SL-725-3, SL-722-5, SL-725-5	4	N/A
	Top U-Bolt Plate 5 rd Axle	91010108	All	2	12.50 [5.67]
	Top U-Bolt Plate 5 3/4 rd Axle	91010096	All	2	N/A

NOTE: Spring Assemblies should be replaced in pairs.

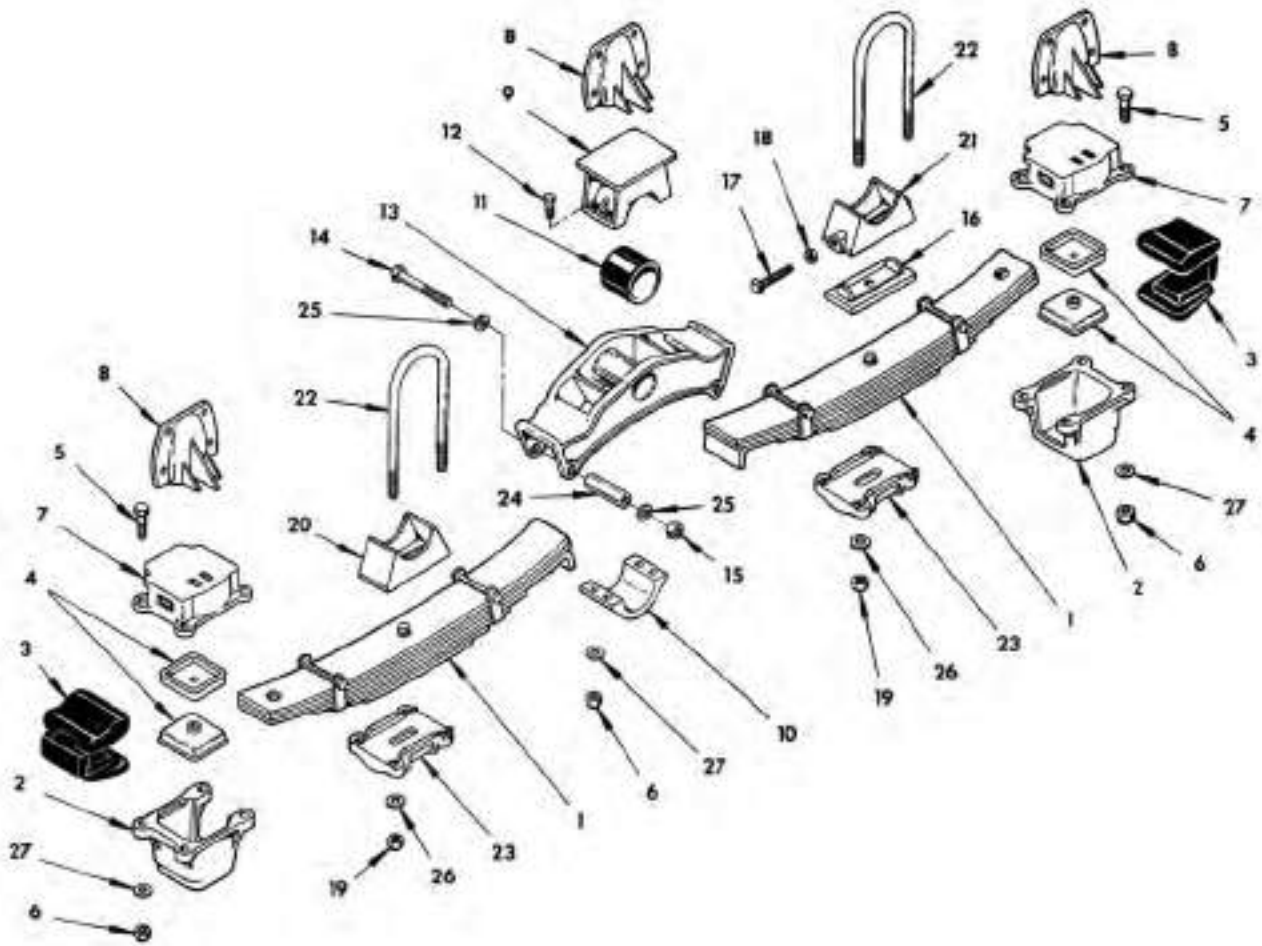
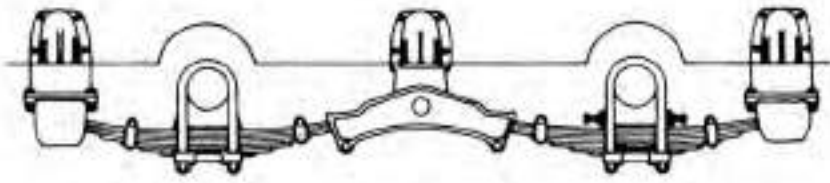


**DISCONTINUED MODEL
SERVICE PARTS ONLY**

Please contact Customer Service for part availability
800.876.3929

SERVICE COMPONENTS					
ITEM	DESCRIPTION	PART NUMBER	MODEL	QTY	WEIGHT LBS. [kg]
1	Spring Assembly 7 Leaf - 4 Wide	91557005	All	4	90.00 [40.82]
2	Spring End Housing	91010054	All	4	13.00 [5.90]
3	Spring End Rubber Boot	91008032	All	4	3.25 [1.47]
4	Spring End Retainer	91001062	All	8	1.70 [0.77]
5	Cap Screw 5/8-11 x 2 1/2 GR8	93003359	All	16	0.27 [0.12]
6	Lock Nut 5/8-11 GRB	93400488	All	24	0.07 [0.03]
7	Frame Mtg Brkt LH 2 1/2 High	91018011	TL-636-1	2	13.40 [6.08]
	Frame Mtg Brkt RH 2 1/2 High	91018012	TL-636-1	2	13.40 [6.08]
	Frame Mtg Brkt LH 4 High	91018009	TL-636-2, TL-636-3	2	25.00 [11.34]
	Frame Mtg Brkt RH 4 High	91018010	TL-636-2, TL-636-3	2	25.00 [11.34]
	Frame Mtg Brkt LH 6 High	91018016	TL-636-4, TL-636-5	2	17.52 [7.95]
	Frame Mtg Brkt RH 6 High	91018017	TL-636-4, TL-636-5	2	17.52 [7.95]
8	Frame Mtg Brkt Flanges Opt.	91044007	All	6	4.60 [2.09]
9	Equalizer Frame Mtg Brkt 3 7/16 High	91018025	TL-636-1	2	8.80 [3.99]
	Equalizer Frame Mtg Brkt 4 15/16 High	91018024	TL-636-2, TL-636-3	2	10.30 [4.67]
	Equalizer Frame Mtg Brkt 6 15/16 High	91018023	TL-636-4, TL-636-5	2	12.80 [5.81]
10	Equalizer Mtg Brkt Cap	91010057	All	2	4.00 [1.81]
11	Equalizer Rubber Bushing	91008037	All	2	0.70 [0.32]
12	Cap Screw 5/8-11 x 2 GR5	93003345	All	8	0.33 [0.15]
13	Equalizer Assy	91515006	All	2	34.00 [15.42]
14	Cap Screw 1/2-13 x 6 GR8	93003017	All	4	0.33 [0.15]
15	Lock Nut 1/2-13 GRC	93400482	All	4	0.04 [0.02]
16	Axle Algn Plate	91001078	All	2	3.00 [1.36]
17	Set Screw 3/4-10 x 3 1/4	93200079	All	4	0.50 [0.23]
18	Jam Nut 3/4-10 GRB	93400268	All	4	0.33 [0.15]
19	Lock Nut 7/8-9 GRC	93400498	All	16	0.17 [0.08]
20	Axle Seat Fixed 4 1/2 Rd Axle	91001074	TL-636-1, TL-636-2, TL-636-4	2	N/A
	Axle Seat Fixed 4 1/2 Rd Axle	91001069	TL-636-3, TL-636-5	2	N/A
	Axle Seat Fixed 5 Rd Axle	91001075	TL-636-1, TL-636-2, TL-636-4	2	5.32 [2.41]
	Axle Seat Fixed 5 Rd Axle	91001070	TL-636-3, TL-636-5	2	8.00 [3.63]
21	Axle Seat Adj. 4 1/2 Rd Axle	91001071	TL-636-1, TL-636-2, TL-636-4	2	N/A
	Axle Seat Adj. 4 1/2 Rd Axle	91001076	TL-636-3, TL-636-5	2	N/A
	Axle Seat Adj. 5 Rd Axle	91001072	TL-636-1, TL-636-2, TL-636-4	2	5.00 [2.27]
	Axle Seat Adj. 5 Rd Axle	91001077	TL-636-3, TL-636-5	2	6.00 [2.72]
22	U-Bolt 7/8-9 x 11 1/2 GR8 4 1/2 Rd Axle	90042106	TL-636-1, TL-636-2, TL-636-4	8	N/A
	U-Bolt 7/8-9 x 12 1/2 GR8 4 1/2 Rd Axle	90042110	TL-636-3, TL-636-5	8	N/A
	U-Bolt 7/8-9 x 12 GR8 5 Rd Axle	90041174	All	8	4.03 [1.83]
23	Top U-Bolt Plate 4 1/2 & 5 Rd Axles	91010108	All	4	12.50 [5.67]
24	Equalizer Tube End	91036083	All	4	0.48 [0.22]
25	Washer 1/2	93600138	All	8	0.02 [0.01]
26	Washer 7/8	93600162	All	16	0.06 [0.03]
27	Washer 5/8 HT	93900025	All	24	0.02 [0.01]

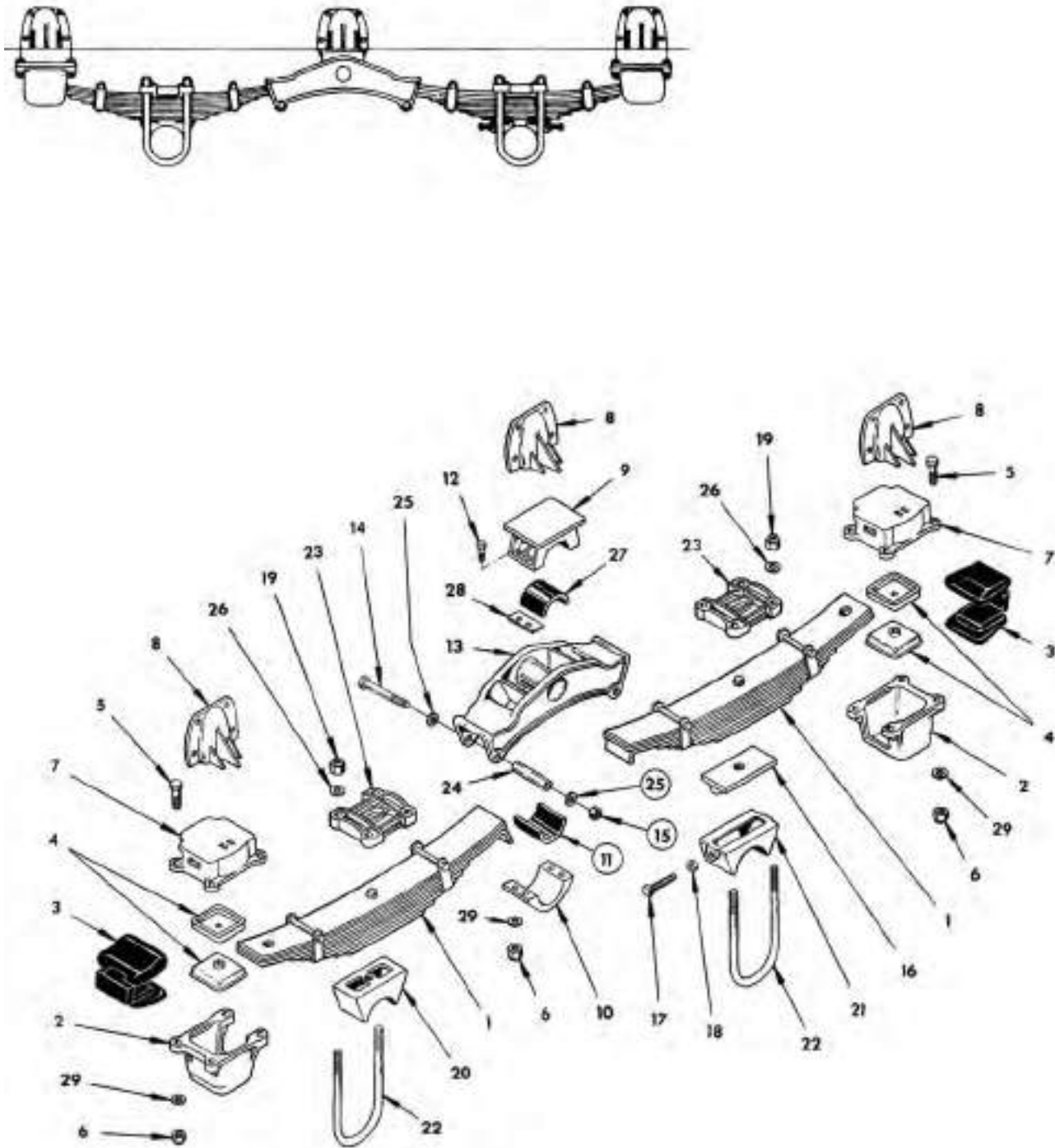
NOTE: Spring Assemblies should be replaced in pairs.



**DISCONTINUED MODEL
SERVICE PARTS ONLY**
Please contact Customer Service for part availability
800.876.3929

SERVICE COMPONENTS					
ITEM	DESCRIPTION	PART NUMBER	MODEL	QTY	WEIGHT LBS. [kg]
1	Spring Assembly 7 Leaf - 4 Wide	91557005	All	4	90.00 [40.82]
2	Spring End Housing	91010054	All	4	13.00 [5.90]
3	Spring End Rubber Boot	91008032	All	4	3.25 [1.47]
4	Spring End Retainer	91001062	All	8	1.70 [0.77]
5	Cap Screw 5/8-11 x 2 1/2 GR8	93003359	All	16	0.27 [0.12]
6	Lock Nut 5/8-11 GRC	93400490	All	24	0.07 [0.03]
7	Frame Mtg Brkt RH 2 1/2 High	91018012	TL-636-1-US	2	13.40 [6.08]
	Frame Mtg Brkt LH 2 1/2 High	91018011	TL-636-1-US	2	13.40 [6.08]
	Frame Mtg Brkt RH 4 High	91018010	TL-636-2-US	2	25.00 [11.34]
	Frame Mtg Brkt LH 4 High	91018009	TL-636-2-US	2	25.00 [11.34]
	Frame Mtg Brkt RH 6 High	91018017	TL-636-3-US	2	17.52 [7.95]
	Frame Mtg Brkt LH 6 High	91018016	TL-636-3-US	2	17.52 [7.95]
8	Equalizer Mtg Brkt Flanges Opt.	91044007	All	6	4.60 [2.09]
9	Equalizer Mtg Brkt 3 7/16 High	91018025	TL-636-1-US	2	8.80 [3.99]
	Equalizer Mtg Brkt 4 15/16 High	91018024	TL-636-2-US	2	10.30 [4.67]
	Equalizer Mtg Brkt 6 15/16 High	91018023	TL-636-3-US	2	12.80 [5.81]
10	Equalizer Mtg Brkt Cap	91010057	All	2	4.00 [1.81]
11	Equalizer Rubber Bushing	91008037	All	2	0.70 [0.32]
12	Cap Screw 5/8-11 x 2 GR5	93003345	All	8	0.33 [0.15]
13	Equalizer	91515006	All	2	34.00 [15.42]
14	Cap Screw 1/2-13 x 6 GR8	93003017	All	4	0.33 [0.15]
15	Lock Nut 1/2-13 GRB	93400480	All	4	0.04 [0.02]
16	Axle Algn Plate	91001078	All	2	3.00 [1.36]
17	Set Screw 3/4-10 x 3 1/4	93200079	All	4	0.50 [0.23]
18	Jam Nut 3/4-10 GRB	93400268	All	4	0.33 [0.15]
19	Lock Nut 7/8-9 GRB	93400496	All	16	0.20 [0.09]
20	Axle Seat Fixed 5 Rd Axle	91001070	All	2	8.00 [3.63]
21	Axle Seat Adj. 5 Rd Axle	91001077	All	2	6.00 [2.72]
22	U-Bolt 7/8-9 x 12 GR8	90041174	All	8	4.03 [1.83]
23	Top U-Bolt Plate	91010108	All	4	12.50 [5.67]
24	Equalizer Tube End	91036083	All	4	0.48 [0.22]
25	Washer 1/2	93600138	All	8	0.02 [0.01]
26	Washer 7/8	93600162	All	16	0.06 [0.03]
27	Washer 5/8 HT	93900025	All	24	0.02 [0.01]

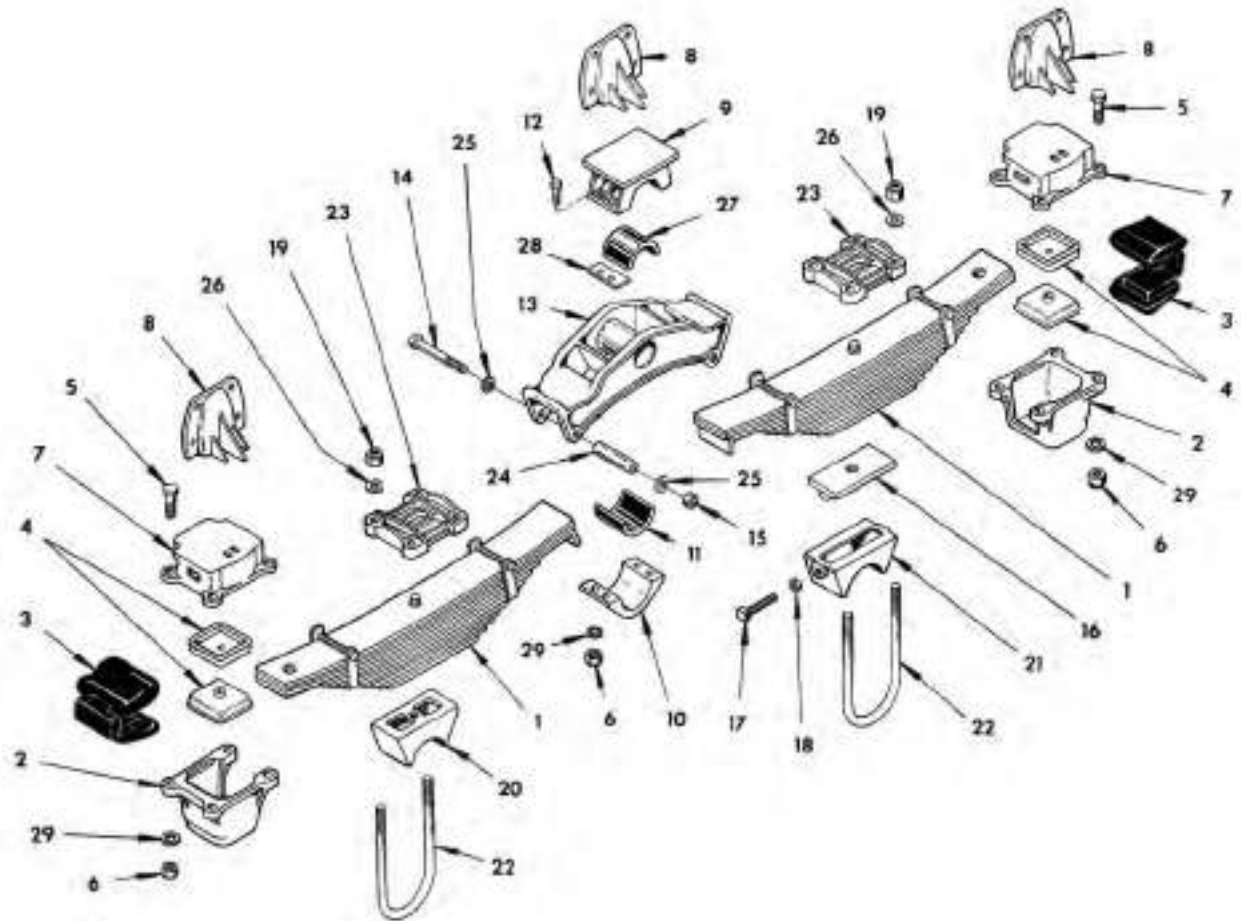
NOTE: Spring Assemblies should be replaced in pairs.



**DISCONTINUED MODEL
SERVICE PARTS ONLY**
Please contact Customer Service for part availability
800.876.3929

SERVICE COMPONENTS						
ITEM	DESCRIPTION	PART NUMBER	MODEL	QTY	WEIGHT LBS. [kg]	
1	Spring Assembly 9 Leaf - 4 Wide	91557007	All	4	105.00 [47.63]	
2	Spring End Housing	91010054	All	4	13.00 [5.90]	
3	Spring End Rubber Boot	91008032	All	4	3.25 [1.47]	
4	Spring End Retainer	91001062	All	8	1.70 [0.77]	
5	Cap Screw 5/8-11 x 2 1/2 GR8	93003359	All	16	0.27 [0.12]	
6	Lock Nut 5/8-11 GRB	93400488	All	24	0.07 [0.03]	
7	Frame Mtg Brkt LH 2 1/2 High	91018011	TL-644-A-1	2	13.40 [6.08]	
	Frame Mtg Brkt RH 2 1/2 High	91018012	TL-644-A-1	2	13.40 [6.08]	
	Frame Mtg Brkt LH 4 High	91018009	TL-644-A-2, TL-644-A-3	2	25.00 [11.34]	
	Frame Mtg Brkt RH 4 High	91018010	TL-644-A-2, TL-644-A-3	2	25.00 [11.34]	
	Frame Mtg Brkt LH 6 High	91018016	TL-644-A-4, TL-644-A-5	2	17.52 [7.95]	
	Frame Mtg Brkt RH 6 High	91018017	TL-644-A-4, TL-644-A-5	2	17.52 [7.95]	
8	Frame Mtg Brkt Flange Opt.	91044007	All	6	4.60 [2.09]	
9	Equalizer Frame Mtg Brkt 3 7/16 High	91018025	TL-644-A-1	2	8.80 [3.99]	
	Equalizer Frame Mtg Brkt 4 15/16 High	91018024	TL-644-A-2, TL-644-A-3	2	10.30 [4.67]	
	Equalizer Frame Mtg Brkt 6 15/16 High	91018023	TL-644-A-4, TL-644-A-5	2	12.80 [5.81]	
10	Equalizer Mtg Brkt Cap	91010057	All	2	4.00 [1.81]	
11	Equalizer Rubber Bushing	91008033	All	2	0.33 [0.15]	
12	Cap Screw 5/8-11 x 2 GR5	93003345	All	8	0.33 [0.15]	
13	Equalizer	91515006	All	2	34.00 [15.42]	
14	Cap Screw 1/2-13 x 6 GR8	93003017	All	4	0.33 [0.15]	
15	Lock Nut 1/2-13 GRC	93400482	All	4	0.04 [0.02]	
16	Axle Algn Plate	91001078	All	2	3.00 [1.36]	
17	Set Screw 3/4-10 GRB	93200079	All	4	0.50 [0.23]	
18	Jam Nut 3/4-10 GRB	93400268	All	4	0.33 [0.15]	
19	Lock Nut 7/8-9 GRC	93400498	All	16	0.17 [0.08]	
20	Axle Seat Fixed 4 1/2 Rd Axle	91001074	TL-644-A-1, TL-644-A-2, TL-644-A-4	2	N/A	
	Axle Seat Fixed 4 1/2 Rd Axle	91001069	TL-644-A-3, TL-644-A-5	2	N/A	
	Axle Seat Fixed 5 Rd Axle	91001075	TL-644-A-1, TL-644-A-2, TL-644-A-4	2	5.32 [2.41]	
	Axle Seat Fixed 5 Rd Axle	91001070	TL-644-A-3, TL-644-A-5	2	8.00 [3.63]	
	Axle Seat Fixed 5 3/4 Rd Axle	91001073	TL-644-A-1, TL-644-A-2, TL-644-A-4	2	4.20 [1.91]	
	Axle Seat Fixed 5 3/4 Rd Axle	91001122	TL-644-A-3, TL-644-A-5	2	N/A	
21	Axle Seat Adj. 4 1/2 Rd Axle	91001071	TL-644-A-1, TL-644-A-2, TL-644-A-4	2	N/A	
	Axle Seat Adj. 4 1/2 Rd Axle	91001139	TL-644-A-3, TL-644-A-5	2	N/A	
	Axle Seat Adj. 5 Rd Axle	91001072	TL-644-A-1, TL-644-A-2, TL-644-A-4	2	5.00 [2.27]	
	Axle Seat Adj. 5 Rd Axle	91001077	TL-644-A-3, TL-644-A-5	2	6.00 [2.72]	
	Axle Seat Adj. 5 3/4 Axle	91001124	TL-644-A-1, TL-644-A-2, TL-644-A-4	2	N/A	
	Axle Seat Adj. 5 3/4 Axle	91001123	TL-644-A-3, TL-644-A-5	2	N/A	
22	U-Bolt 7/8-9 x 11 1/2 GR8 4 1/2 Rd Axle	90042106	TL-644-A-1, TL-644-A-2, TL-644-A-4	8	N/A	
	U-Bolt 7/8-9 x 13 GR8 4 1/2 Rd Axle	90042111	TL-644-A-3, TL-644-A-5	8	N/A	
	U-Bolt 7/8-9 x 12 GR8 5 Rd Axle	90041174	TL-644-A-1, TL-644-A-2, TL-644-A-4	8	4.03 [1.83]	
	U-Bolt 7/8-9 x 13 1/2 GR8 5 Rd Axle	90041180	TL-644-A-3, TL-644-A-5	8	4.44 [2.01]	
	U-Bolt 7/8-9 x 13 GR5 5 3/4 Rd Axle	90041253	TL-644-A-1, TL-644-A-2, TL-644-A-4	8	N/A	
	U-Bolt 7/8-9 x 14 GR5 5 3/4 Rd Axle	90041257	TL-644-A-3, TL-644-A-5	8	N/A	
23	Top U-Bolt Plate 4 1/2 & 5 Rd Axles	91010108	All	4	12.50 [5.67]	
	Top U-Bolt Plate 5 3/4 Rd Axle	91010100	All	4	N/A	
24	Equalizer Tube Ends	91036083	All	4	0.48 [0.22]	
25	Washer 1/2	93600138	All	8	0.02 [0.01]	
26	Washer 7/8	93600162	All	16	0.06 [0.03]	
27	Equalizer Fiber Bushing	91008006	All	2	1.00 [0.45]	
28	Fiber Bushing Spacer Plate	91031001	All	4	0.25 [0.11]	
29	Washer 5/8 HT	93900025	All	24	0.02 [0.01]	

NOTE: Spring Assemblies should be replaced in pairs.



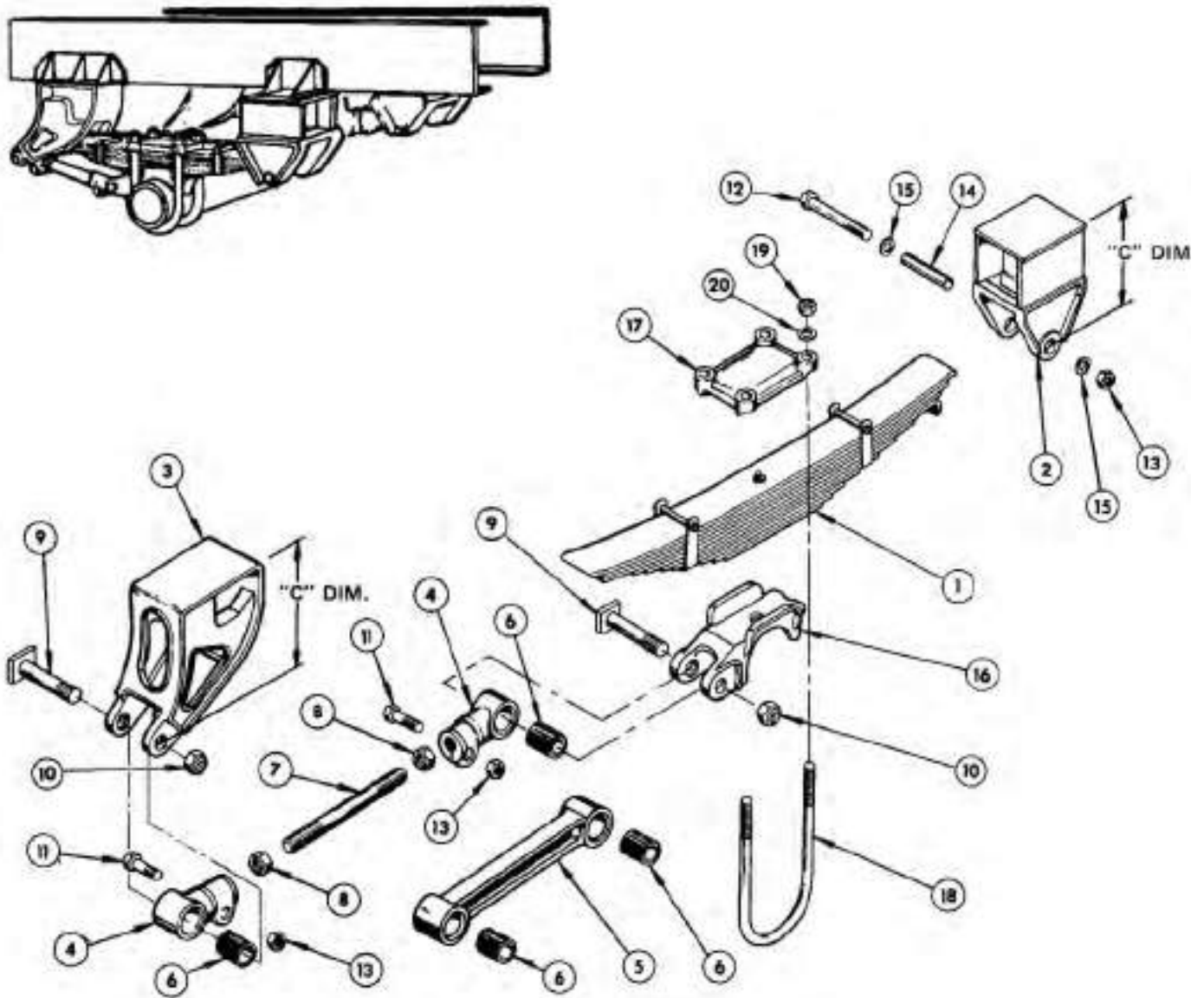
**DISCONTINUED MODEL
SERVICE PARTS ONLY**

Please contact Customer Service for part availability
800.876.3929

SERVICE COMPONENTS						
ITEM	DESCRIPTION	PART NUMBER	MODEL	QTY	WEIGHT	LBS. [kg]
1	Spring Assembly 12 Leaf - 4 Wide	91557009	All	4	78.00	[35.38]
2	Spring End Housing	91010054	All	4	13.00	[5.90]
3	Spring End Rubber Boot	91008032	All	4	3.25	[1.47]
4	Spring End Retainer	91001062	All	8	1.70	[0.77]
5	Cap Screw 5/8-11 x 2 1/2 GR8	93003359	All	16	0.27	[0.12]
6	Lock Nut 5/8-11 GRB	93400488	All	24	0.07	[0.03]
7	Frame Mtg Brkt LH 2 1/2 High	91018011	TL-650-A-1	2	13.40	[6.08]
	Frame Mtg Brkt RH 2 1/2 High	91018012	TL-650-A-1	2	13.40	[6.08]
	Frame Mtg Brkt LH 4 High	91018009	TL-650-A-2, TL-650-A-3	2	25.00	[11.34]
	Frame Mtg Brkt RH 4 High	91018010	TL-650-A-2, TL-650-A-3	2	25.00	[11.34]
	Frame Mtg Brkt LH 6 High	91018016	TL-650-A-4, TL-650-A-5	2	17.52	[7.95]
	Frame Mtg Brkt RH 6 High	91018017	, TL-650-A-5 L-650-A-4	2	17.52	[7.95]
8	Frame Mtg Brkt Flanges Opt.	91044007	All	6	4.60	[2.09]
9	Equalizer Frame Mtg Brkt 3 7/16 High	91018025	TL-650-A-1	2	8.80	[3.99]
	Equalizer Frame Mtg Brkt 4 15/16 High	91018024	TL-650-A-2, TL-650-A-3	2	10.30	[4.67]
	Equalizer Frame Mtg Brkt 6 15/16 High	91018023		2	12.80	[5.81]
10	Equalizer Mtg Brkt Cap	91010057	All	2	4.00	[1.81]
11	Equalizer Rubber Bushing	91008033	All	2	0.33	[0.15]
12	Cap Screw 5/8-11 x 2 GR5	93003345	All	8	0.33	[0.15]
13	Equalizer	91515006	All	2	34.00	[15.42]
14	Cap Screw 1/2-13 x 6 GR8	93003017	All	4	0.33	[0.15]
15	Lock Nut 1/2-13 GRC	93400482	All	4	0.04	[0.02]
16	Axle Algn Plate	91001078	All	2	3.00	[1.36]
17	Set Screw 3/4-10 x 3 1/4	93400079	All	4		N/A
18	Jam Nut 3/4-10 GRB	93400268	All	4	0.33	[0.15]
19	Lock Nut 7/8-9 GRC	93400498	All	16	0.17	[0.08]
20	Axle Seat Fixed 4 1/2 Rd Axle	91001074	TL-650-A-1, TL-650-A-2, TL-650-A-4	2		N/A
	Axle Seat Fixed 4 1/2 Rd Axle	91001069	TL-650-A-3, TL-650-A-5	2		N/A
	Axle Seat Fixed 5 Rd Axle	91001075	TL-650-A-1, TL-650-A-2, TL-650-A-4	2	5.32	[2.41]
	Axle Seat Fixed 5 Rd Axle	91001070	TL-650-A-3, TL-650-A-5	2	8.00	[3.63]
	Axle Seat Fixed 5 3/4 Axle	91001073	TL-650-A-1, TL-650-A-2, TL-650-A-4	2	4.20	[1.91]
	Axle Seat Fixed 5 3/4 Axle	91001122	TL-650-A-3, TL-650-A-5	2		N/A
21	Axle Seat Adj. 4 1/2 Rd Axle	91001071	TL-650-A-1, TL-650-A-2, TL-650-A-4	2		N/A
	Axle Seat Adj. 4 1/2 Rd Axle	91001139	TL-650-A-3, TL-650-A-5	2		N/A
	Axle Seat Adj. 5 Rd Axle	91001072	TL-650-A-1, TL-650-A-2, TL-650-A-4	2	5.00	[2.27]
	Axle Seat Adj. 5 Rd Axle	91001077	TL-650-A-3, TL-650-A-5	2	6.00	[2.72]
	Axle Seat Adj. 5 3/4 Axle	91001124	TL-650-A-1, TL-650-A-2, TL-650-A-4	2		N/A
	Axle Seat Adj. 5 3/4 Axle	91001136	TL-650-A-3, TL-650-A-5	2		N/A
22	U-Bolt 7/8-9 x 11 1/2 GR8 4 1/2 Rd Axle	91042111	TL-650-A-1, TL-650-A-2, TL-650-A-4	8		N/A
	U-Bolt 7/8-9 x 13 GR8 4 1/2 Rd Axle	90042117	TL-650-A-3, TL-650-A-5	8		N/A
	U-Bolt 7/8-9 x 12 GR8 5 Rd Axle	90041180	TL-650-A-1, TL-650-A-2, TL-650-A-4	8	4.44	[2.01]
	U-Bolt 7/8-9 x 13 1/2 GR8 5 Rd Axle	90041184	TL-650-A-3, TL-650-A-5	8		N/A
	U-Bolt 7/8-9 x 13 1/2 GR5 5 3/4 Rd Axle	90041180	TL-650-A-1, TL-650-A-2, TL-650-A-4	8	4.44	[2.01]
	U-Bolt 7/8-9 x 15 GR5 5 3/4 Rd Axle	90041261	TL-650-A-3, TL-650-A-5	8		N/A
23	Top U-Bolt Plate 4 1/2 & 5 Rd Axles	91010108	All	4	12.50	[5.67]
	Top U-Bolt Plate 5 3/4 Rd Axles	91010096	All	4		N/A
24	Equalizer Tube End	91036083	All	4	0.48	[0.22]
25	Washer 1/2	93600138	All	8	0.02	[0.01]
26	Washer 7/8	93600162	All	16	0.06	[0.03]
27	Equalizer Fiber Bushing	91008006	All	2	1.00	[0.45]
28	Fiber Bushing Spacer Plate	91031001	All	4	0.25	[0.11]
29	Washer 5/8 HT	93900025	All	24	0.02	[0.01]

NOTE: Spring Assemblies should be replaced in pairs.

RTS-218-A, RTS-222-A Single Spring Exploded View



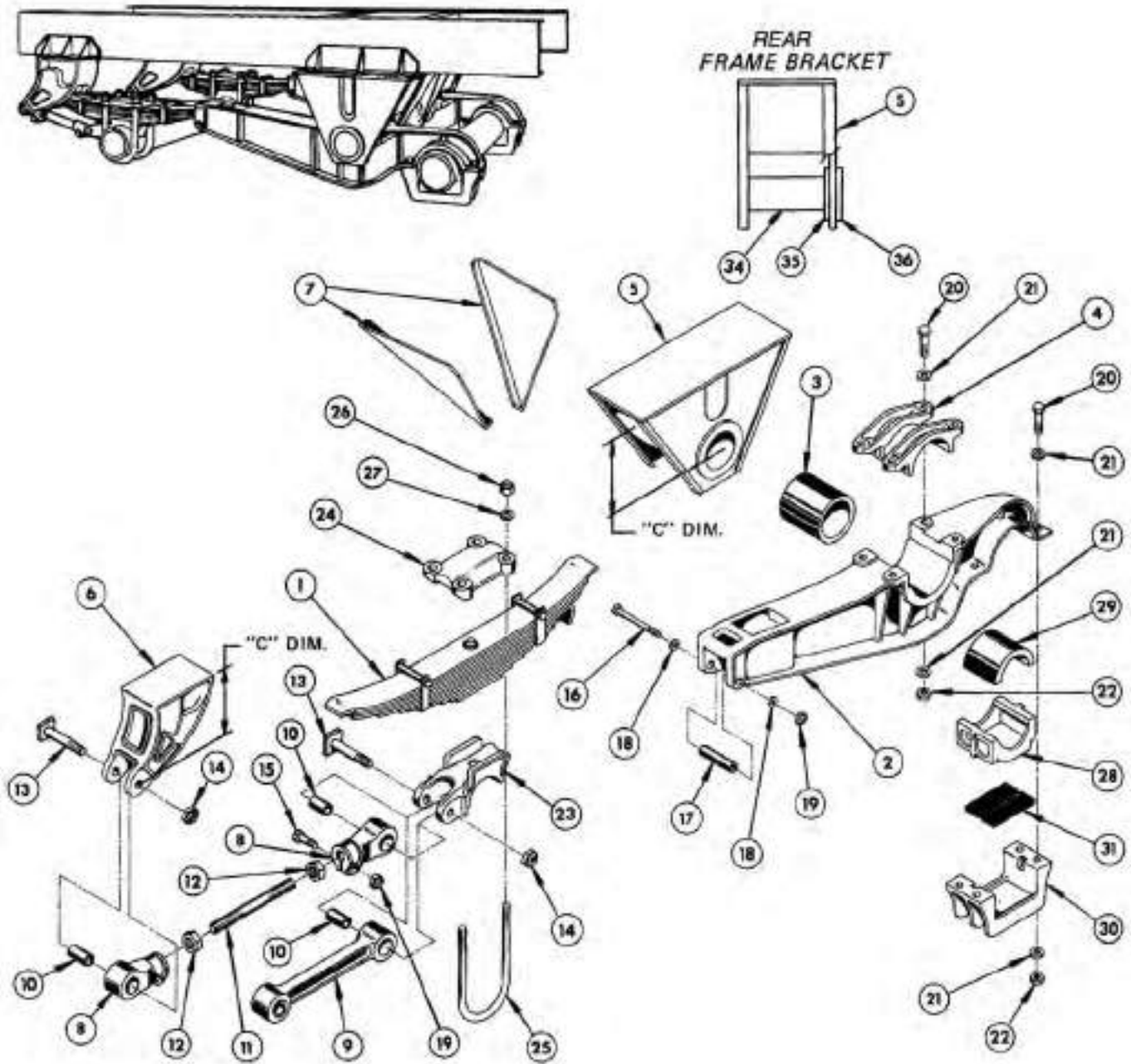
**DISCONTINUED MODEL
SERVICE PARTS ONLY**

Please contact Customer Service for part availability
800.876.3929

SERVICE COMPONENTS					
ITEM	DESCRIPTION	PART NUMBER	QTY REQD	MODEL	WEIGHT LBS. [kg]
1	Spring Assembly 11 Leaf	91557152	2	RTS-218-A	100.00 [45.35]
	Spring Assembly 13 Leaf	91557153	2	RTS-222-A	74.00 [33.57]
2	Rear Spring Hanger 8-1/2" "C" Dimension (-1 Models)	91518050	2	All	N/A
	Rear Spring Hanger 10-1/2" "C" Dimension (-2 Models)	91518051	2	All	N/A
	Rear Spring Hanger 12-1/2" "C" Dimension (-3 Models)	91518052	2	All	N/A
	Rear Spring Hanger 14-1/2" "C" Dimension (-4 Models)	91518053	2	All	N/A
3	Front Spring Hanger 8-1/2" "C" Dimension (-1 Models)	91018002	2	All	20.00 [9.07]
	Front Spring Hanger 10-1/2" "C" Dimension (-2 Models)	91018000	2	All	N/A
	Front Spring Hanger 12-1/2" "C" Dimension (-3 Models)	91018004	2	All	22.60 [10.25]
	Front Spring Hanger 14-1/2" "C" Dimension (-4 Models)	91018036	2	All	25.80 [11.70]
4	Radius Rod End - Adjustable LH (Includes Key #6)	91544002	1	All	5.00 [2.27]
	Radius Rod End - Adjustable RH (Includes Key #6)	91544003	1	All	5.00 [2.27]
5	Radius Rod Fixed (Includes Key #6)	91544001	1	All	13.00 [5.90]
6	Rubber Bushing	91008007	4	All	0.90 [0.41]
7	Radius Rod Screw 1-1/4-7 x 11"	93200047	1	All	4.00 [1.81]
8	Jam Nut 1-1/4-7 RH GrB	93400284	1	All	0.40 [0.18]
	Jam Nut 1-1/4-7 LH GrB	93400036	1	All	0.29 [0.13]
9	Radius Rod Bolt 1-1/4-7	93900009	4	All	2.48 [1.12]
10	Lock Nut 1-1/4-7 GrB	93400569	4	All	0.30 [0.14]
11	Cap Screw 1/2-13 x 2" Gr8	93002921	2	All	0.13 [0.06]
12	Cap Screw 1/2-13 x 5-1/2" Gr5	93003003	2	All	0.33 [0.15]
13	Lock Nut 1/2-13 GrB	93400482	4	All	0.04 [0.02]
14	Pipe Spacer 1/2"	91036100	2	All	1.00 [0.45]
15	Washer 1/2"	93600138	4	All	0.02 [0.01]
16	Axle Spring Seat	91001034	2	All	9.00 [4.08]
17	U-Bolt Plate	91010103	2	All	8.75 [3.97]
18	U-Bolt 7/8-9 x 12" Gr8	90041174	4	All	4.03 [1.83]
19	Lock Nut 7/8-9 GrC	93400498	8	All	0.17 [0.08]
20	Washer 7/8	93600162	8	All	0.06 [0.03]
SERVICE REPAIR KITS					
	SRK-39 - Radius Rod Rebushing	48100050	1	All	15.00 [6.80]

NOTE: Spring Assemblies should be replaced in pairs.

RTS-536, RTS-544 Tandem Spring Exploded View



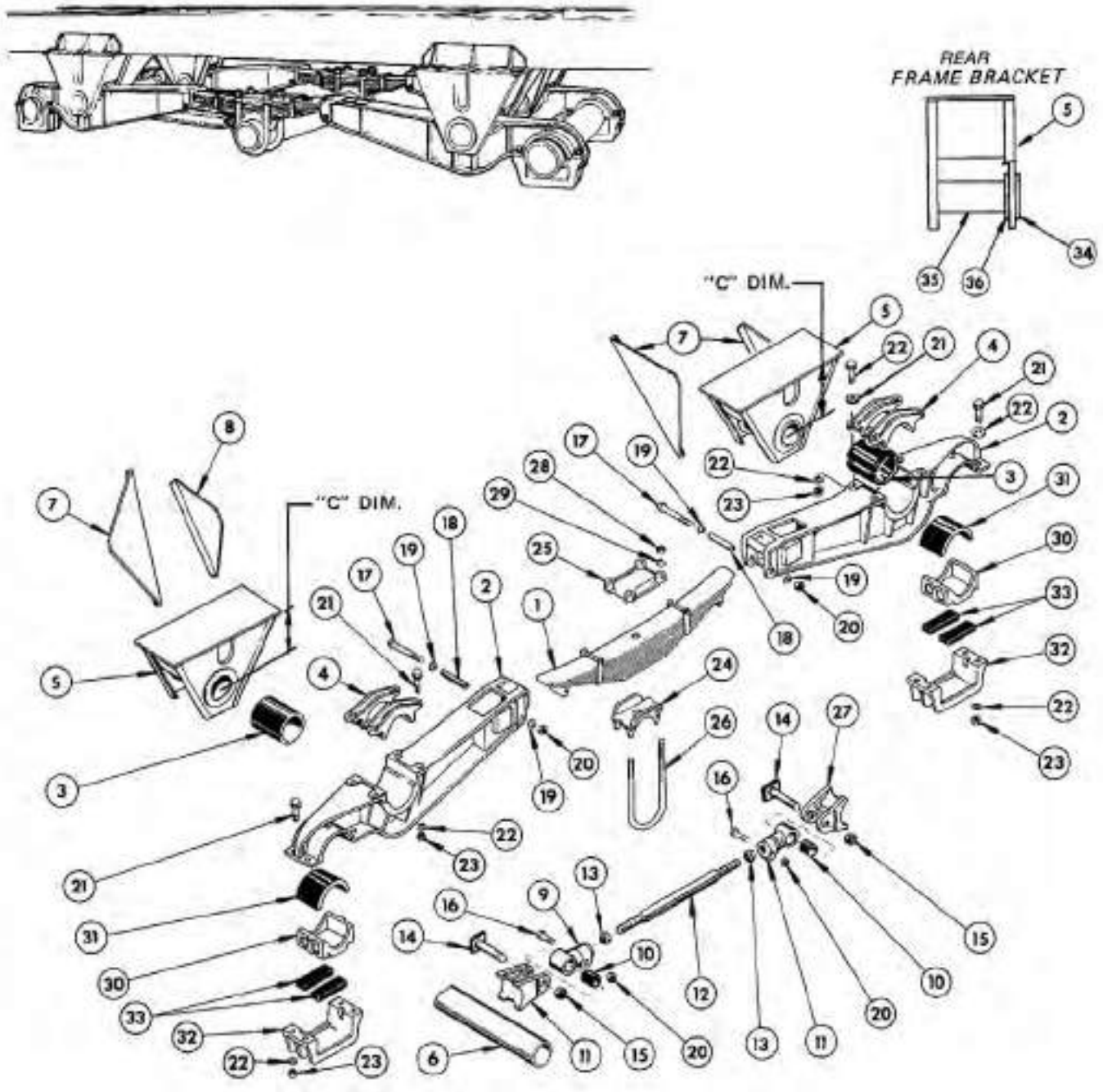
**DISCONTINUED MODEL
SERVICE PARTS ONLY**

Please contact Customer Service for part availability
800.876.3929

SERVICE COMPONENTS					
ITEM	DESCRIPTION	PART NUMBER	QTY REQD	MODEL	WEIGHT LBS. [kg]
1	Spring Assembly 11 Leaf	91557152	2	RTS-536	100.00 [45.35]
	Spring Assembly 13 Leaf	91557153	2	RTS-544	74.00 [33.57]
	Spring Assembly 14 Leaf	91557154	2	RTS-544	83.00 [37.65]
2	Equalizing Beam	91515001	2	All	79.00 [35.83]
3	Trunnion Rubber Bushing	91008014	2	All	1.47 [0.67]
4	Trunnion Cap	91010098	2	All	7.59 [3.44]
5	Frame Bracket 8-1/2" "C" Dimension (Includes Key #34, 35, 36) (-1 Models)	91518005	2	All	57.90 [26.26]
	Frame Bracket 10-1/2" "C" Dimension (Includes Key #34, 35, 36) (-2 Models)	91518006	2	All	67.90 [30.80]
	Frame Bracket 12-1/2" "C" Dimension (Includes Key #34, 35, 36) (-3 Models)	91518007	2	All	78.00 [35.38]
	Frame Bracket 14-1/2" "C" Dimension (Includes Key #34, 35, 36) (-4 Models)	91518076	2	All	N/A
6	Front Spring Hanger 8-1/2" "C" Dimension (-1 Models)	91018002	2	All	20.00 [9.07]
	Front Spring Hanger 10-1/2" "C" Dimension (-2 Models)	91018003	2	All	20.00 [9.07]
	Front Spring Hanger 12-1/2" "C" Dimension (-3 Models)	91018004	2	All	22.60 [10.25]
	Front Spring Hanger 14-1/2" "C" Dimension (-4 Models)	91018036	2	All	25.80 [11.70]
7	Diagonal Brace (-1 Models)	91023001	4	All	8.00 [3.63]
	Diagonal Brace LH (-2 Models)	91023002	2	All	N/A
	Diagonal Brace RH (-2 Models)	91023003	2	All	N/A
	Diagonal Brace LH (-3 Models)	91023004	2	All	10.00 [4.54]
	Diagonal Brace RH (-3 Models)	91023005	2	All	10.00 [4.54]
	Diagonal Brace LH (-4 Models)	91023006	2	All	11.00 [5.00]
	Diagonal Brace RH (-4 Models)	91023007	2	All	11.00 [5.00]
8	Radius Rod End - Adjustable LH (Includes Key #10)	91544002	1	All	5.00 [2.27]
	Radius Rod End - Adjustable RH (Includes Key #10)	91544003	1	All	5.00 [2.27]
9	Radius Rod Fixed (Includes Key #10)	91544001	1	All	13.00 [5.90]
10	Rubber Bushing	91008007	4	All	0.90 [0.41]
11	Radius Rod Screw 1-1/4-7 x 11"	93200047	1	All	4.00 [1.81]
12	Jam Nut 1-1/4-7 RH GrB	93400284	1	All	0.40 [0.18]
	Jam Nut 1-1/4-7 LH GrB	93400036	1	All	0.29 [0.13]
13	Radius Rod Bolt 1-1/4-7	93900009	4	All	2.48 [1.12]
14	Lock Nut 1-1/4-7 GrB	93400569	4	All	0.30 [0.14]
15	Cap Screw 12/13 x 2" Gr8	93002921	2	All	0.13 [0.06]
16	Cap Screw 1/2-13 x 5-1/2" Gr5	93003003	2	All	0.33 [0.15]
17	Pipe Spacer 1/2"	91036092	2	All	0.38 [0.17]
18	Washer 1/2"	93600138	4	All	0.02 [0.01]
19	Lock Nut 1/2-13 GrB	93400482	4	All	0.04 [0.02]
20	Cap Screw 3/4-10 x 2-1/2" Gr8	93003575	16	All	0.46 [0.21]
21	Washer 3/4"	93600156	32	All	0.04 [0.02]
22	Lock Nut 3/4-10 GrB	93400492	16	All	0.13 [0.06]
23	Axle Spring Seat	91001034	2	All	9.00 [4.08]
24	U-Bolt Plate	91010103	2	All	8.75 [3.97]
25	U-Bolt 7/8-9 x 12" Gr8	90041174	4	All	4.03 [1.83]
26	Lock Nut 7/8-9 GrC	93400498	8	All	0.17 [0.08]
27	Washer 7/8"	93600162	8	All	0.06 [0.03]
28	Axle Adapter	91001040	2	All	7.30 [3.31]
29	Rubber Wrapper	91028010	2	All	0.90 [0.41]
30	Axle Connection Cap	91010031	2	All	12.00 [5.44]
31	Rubber Pad	91028023	4	All	0.20 [0.09]
32	Spring Hanger Wear Bar (Not Shown In Diagram)	91023307	2	All	2.00 [0.90]
33	Equalizing Beam Wear Pad (Not Shown in Diagram)	91028028	2	All	2.50 [1.13]
34	Trunnion Tube 4" OD x 1/2" Wall x 8-3/8"	91038210	2	All	13.08 [5.93]
35	Inner Washer 3/16" Thick	93600002	4	All	0.82 [0.37]
36	Outer Washer 5/16" Thick	93600003	4	All	1.36 [0.62]
SERVICE REPAIR KITS					
	SRK-36 - Axle and Trunnion Connection	48100033	1	All	17.00 [7.71]
	SRK-39 - Radius Rod Rebushing	48100050	1	All	15.00 [6.80]

NOTE: Spring Assemblies should be replaced in pairs.

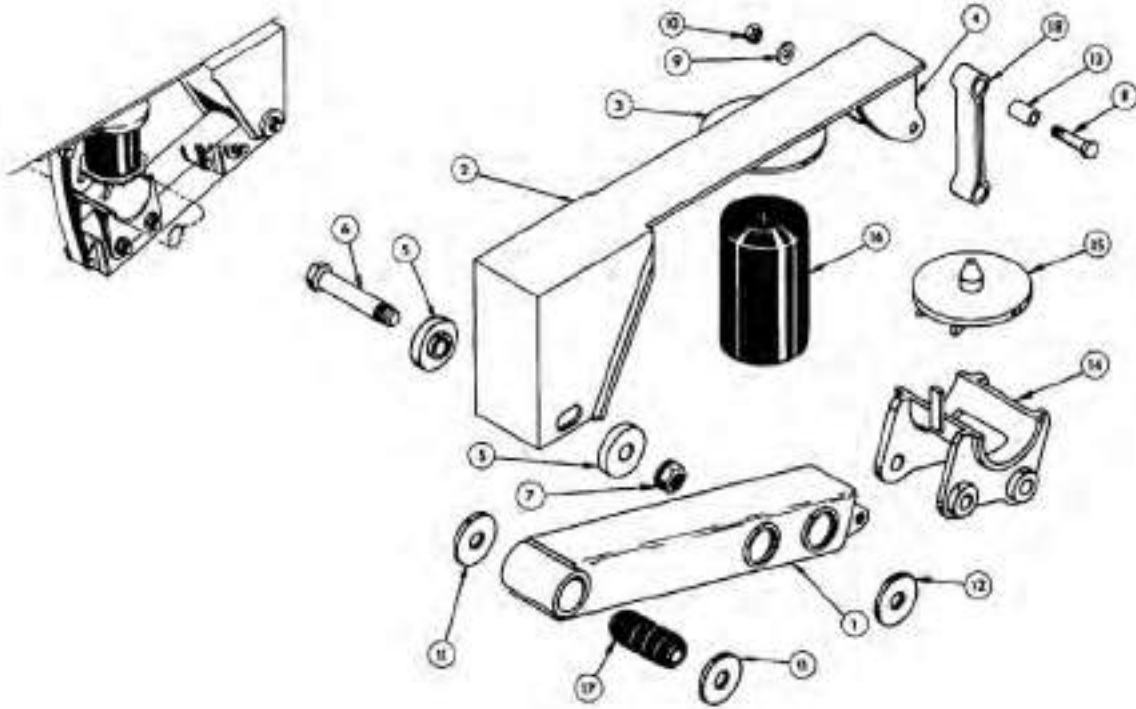
RTS-754-HD Tri-Axle Spring Exploded View



**DISCONTINUED MODEL
SERVICE PARTS ONLY**
Please contact Customer Service for part availability
800.876.3929

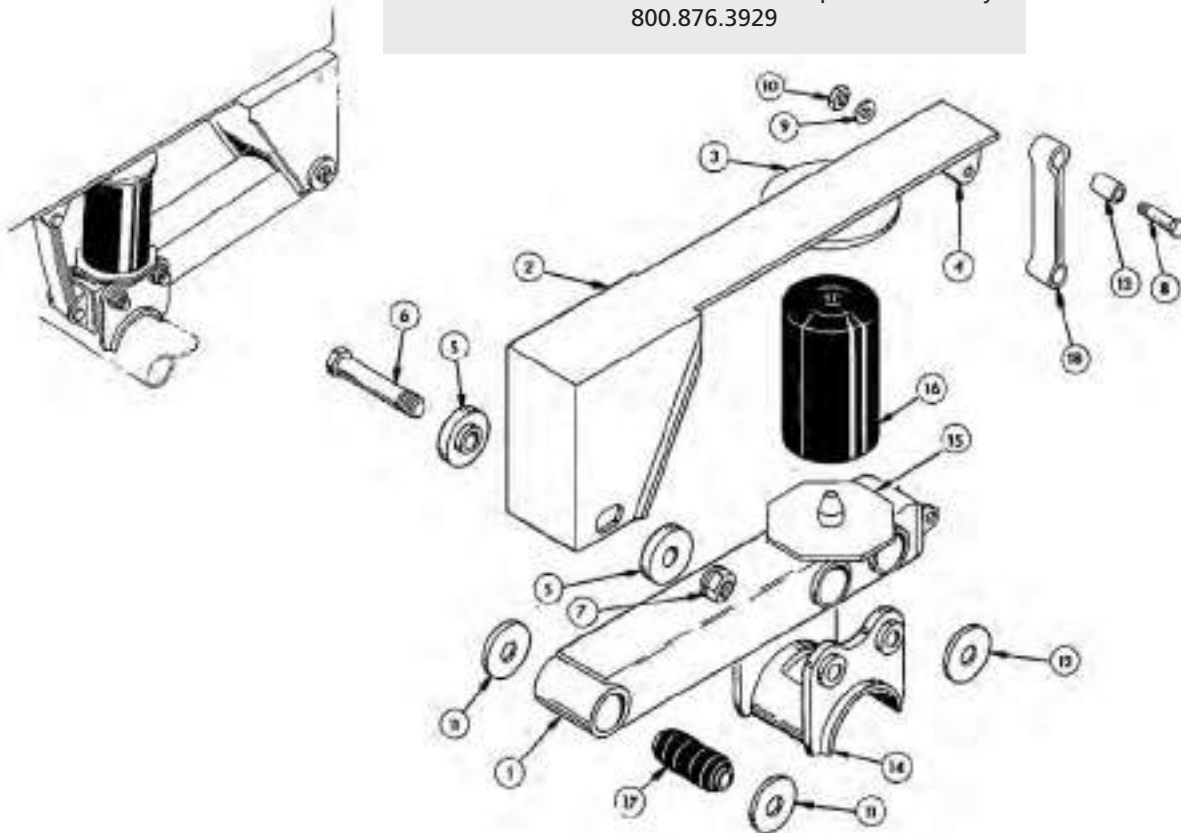
SERVICE COMPONENTS					
ITEM	DESCRIPTION	PART NUMBER	QTY REQD	MODEL	WEIGHT LBS. [kg]
1	Spring Assembly	91557200	2	All	N/A
2	Equalizing Beam	91515002	4	All	89.00 [40.37]
3	Trunnion Rubber Bushing	91008014	4	All	1.47 [0.67]
4	Trunnion Cap	91010098	4	All	7.59 [3.44]
5	Frame Bracket 8-1/2" "C" Dimension (-1 Models)	91518016	4	All	N/A
	Frame Bracket 10-1/2" "C" Dimension (-2 Models)	91518015	4	All	N/A
	Frame Bracket 12-1/2" "C" Dimension (-3 Models)	91518014	4	All	N/A
	Frame Bracket 14-1/2" "C" Dimension (-4 Models)	91518013	4	All	N/A
6	Trunnion Tube 4" OD x 1/2" Wall x 44-1/2" (Other Lengths Available)	91038091	1	All	69.09 [31.34]
7	Diagonal Brace - Large (-1 Models)	91023001	6	All	8.00 [3.63]
	Diagonal Brace LH - Large (-2 Models)	91023002	3	All	N/A
	Diagonal Brace RH - Large (-2 Models)	91023003	3	All	N/A
	Diagonal Brace LH - Large (-3 Models)	91023004	3	All	10.00 [4.54]
	Diagonal Brace RH - Large (-3 Models)	91023005	3	All	10.00 [4.54]
	Diagonal Brace RH - Large (-4 Models)	91023007	3	All	11.00 [5.00]
8	Diagonal Brace - Small (-1 Models)	91023008	2	All	N/A
	Diagonal Brace - Small (-2 Models)	91023009	2	All	N/A
	Diagonal Brace - Small (-3 Models)	91023001	2	All	8.00 [3.63]
	Diagonal Brace LH - Small (-4 Models)	91023003	1	All	N/A
	Diagonal Brace RH - Small (-4 Models)	91023002	1	All	N/A
9	Radius Rod End - Adjustable LH (Includes Key #10)	91544002	2	All	5.00 [2.27]
	Radius Rod End - Adjustable RH (Includes Key #10)	91544003	2	All	5.00 [2.27]
10	Rubber Bushing	91008007	4	All	0.90 [0.41]
11	Radius Rod Trunnion Bracket	91018006	2	All	N/A
12	Radius Rod Screw 1-1/4-7	91506002	2	All	10.00 [4.54]
13	Jam Nut 1-1/4-7 RH GrB	93400284	2	All	0.40 [0.18]
	Jam Nut 1-1/4-7 LH GrB	93400036	2	All	0.29 [0.13]
14	Radius Rod Bolt 1-1/4-7	93900009	4	All	2.48 [1.12]
15	Lock Nut 1-1/4-7 GrB	93400569	4	All	0.30 [0.14]
16	Cap Screw 1/2-13 x 2" Gr8	93002921	4	All	0.13 [0.06]
17	Cap Screw 1/2-13 x 5-1/2" Gr5	93003003	4	All	0.33 [0.15]
18	Pipe Spacer 1/2"	91036100	4	All	1.00 [0.45]
19	Washer 1/2"	93600138	8	All	0.02 [0.01]
20	Lock Nut 1/2-13 GrB	93400482	8	All	0.04 [0.02]
21	Cap Screw 3/4-10 x 2-1/2" Gr8	93003575	32	All	0.46 [0.21]
22	Washer 3/4"	93600156	64	All	0.04 [0.02]
23	Lock Nut 3/4-10 GrB	93400492	32	All	0.13 [0.06]
24	Axle Spring Seat	91001023	2	All	N/A
25	U-Bolt Plate	91010103	2	All	8.75 [3.97]
26	U-Bolt 7/8-9 x 12" GrB	90041174	4	All	4.03 [1.83]
27	Radius Rod Axle Bracket	91018005	2	All	5.00 [2.27]
28	Lock Nut 7/8-9 GrC	93400498	8	All	0.17 [0.08]
29	Washer 7/8"	93600162	8	All	0.06 [0.03]
30	Axle Adapter	91001040	4	All	7.30 [3.31]
31	Rubber Wrapper	91028010	4	All	0.90 [0.41]
32	Axle Connection Cap	91010031	4	All	12.00 [5.44]
33	Rubber Pad	91028023	9	All	0.20 [0.09]
34	Outer Washer 5/16" Thick	93600003	8	All	1.36 [0.62]
35	Trunnion Tube 4" OD x 1/2" Wall x 8-3/8"	91038210	2	All	13.08 [5.93]
36	Inner Washer 3/16" Thick	93600002	8	All	0.82 [0.37]
SERVICE REPAIR KITS					
	SRK-36 - Axle and Trunnion Connection	48100033	2	All	17.00 [7.71]
	SRK-39 - Radius Rod Rebushing	48100050	1	All	15.00 [6.80]

NOTE: Spring Assemblies should be replaced in pairs.



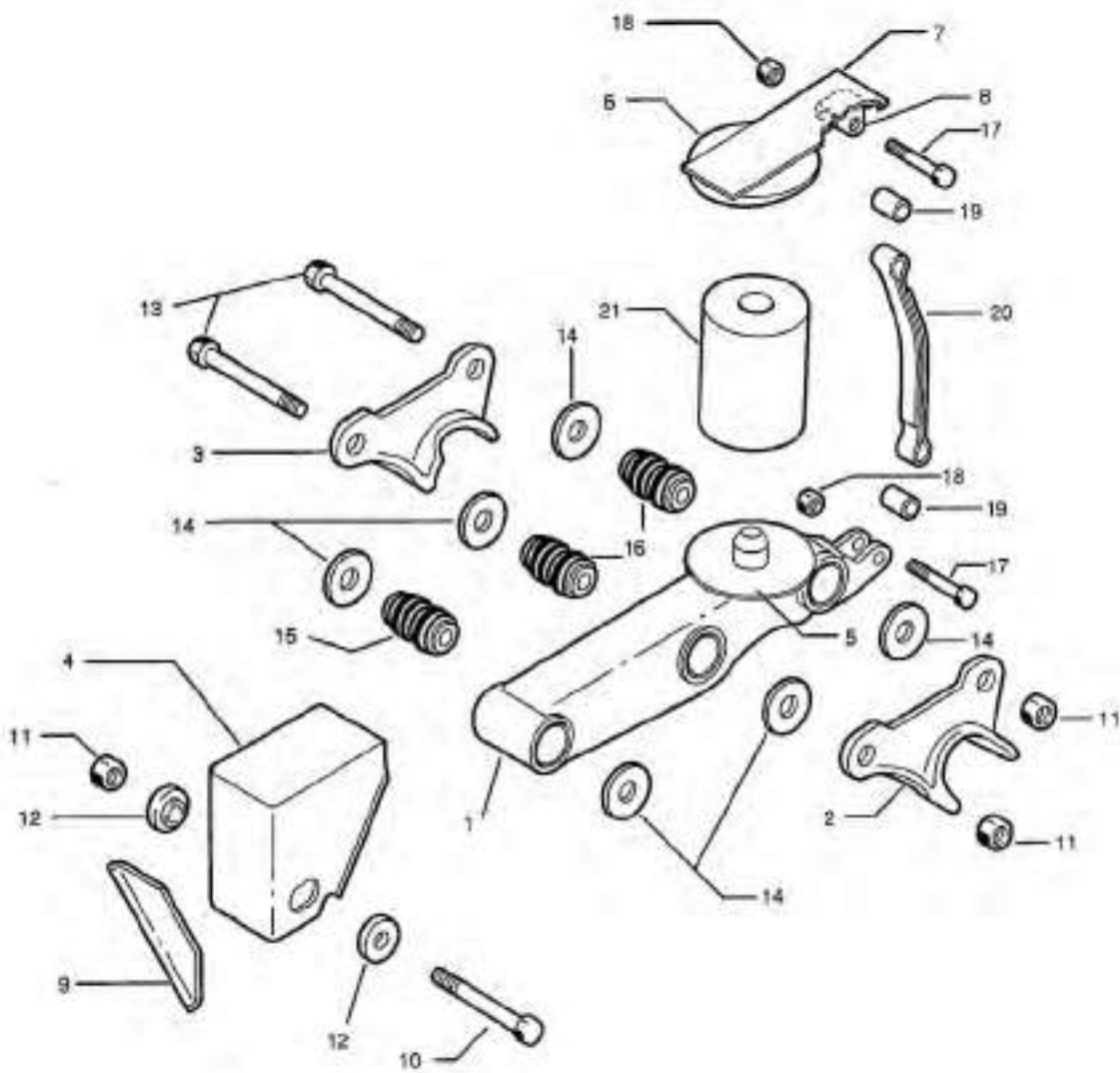
**DISCONTINUED MODEL
SERVICE PARTS ONLY**

Please contact Customer Service for part availability
800.876.3929



SERVICE COMPONENTS					
ITEM	DESCRIPTION	PART NUMBER	QTY REQD	MODEL	WEIGHT LBS. [kg]
1	Equalizing Beam (Includes Key #17)	91515142	2	RC-122-11-A	39.00 [17.69]
	Equalizing Beam (Includes Key #17)	91515137	2	RC-122-16-A	41.00 [18.60]
2	Frame Bracket LH Adjustable (Includes Key #5)	90519609	1	All	23.00 [10.43]
	Frame Bracket RH Fixed (Includes Key #5)	90519610	1	All	25.00 [11.34]
3	Upper Mounting Plate	91544183	2	RC-122-11-A	6.00 [2.72]
	Upper Mounting Plate	91031659	2	RC-122-16-A	7.00 [3.18]
4	Upper Strap Mounting Bracket	90018348	2	RC-122-11-A	5.00 [2.27]
	Upper Strap Mounting Bracket	90031169	4	RC-122-16-A	0.36 [0.16]
5	Alignment Bushing	90008148	4	All	N/A
6	Cap Screw 1-1/8-7 x 8-5/16" Gr5	93201045	6	All	2.70 [1.22]
7	Lock Nut 1-1/8-7 GrC	93400506	6	All	0.38 [0.17]
8	Cap Screw 3/4-10 x 3-1/2" Gr5	93003597	4	All	0.52 [0.24]
9	Flat Washer 3/4"	93600156	4	All	0.04 [0.02]
10	Lock Nut 3/4-10 GrB	93400492	4	All	0.13 [0.06]
11	Spacer Washer	93600029	4	All	0.22 [0.10]
12	Spacer Washer (Used for axle adapter with 5" inside width)	93600029	8	All	0.22 [0.10]
	Spacer Washer (Used for axle adapter with 5-3/8" inside width)	90036152	8	All	0.33 [0.15]
13	Sleeve	90036142	4	All	0.12 [0.05]
14	Axle Adapter 5" Inside Width (5" Round - Use 93600029)	91501065	2	All	14.00 [6.35]
	Axle Adapter 5-3/8" Inside Width (5" Round - Use 90036152)	91501067	2	All	15.00 [6.80]
	Axle Adapter 5" Inside Width (5" Square - Use 93600029)	90001127	2	RC-122-16-A	N/A
	Axle Adapter 5-3/8" Inside Width (5" Square - Use 90036152)	91501066	2	RC-122-16-A	N/A
15	Lower Mounting Plate	91001214	2	RC-122-11-A	N/A
	Lower Mounting Plate	91544183	2	RC-122-16-A	6.00 [2.72]
16	Rubber Cushion	91058580	2	All	8.00 [3.63]
17	Rubber Bushing	90008131	6	All	0.80 [0.36]
18	Restraining Strap	91044102	2	RC-122-11-A	0.33 [0.15]
	Restraining Strap	91044101	2	RC-122-16-A	2.00 [0.91]
SERVICE REPAIR KITS					
	SRK-146 - Pivot Connection	48100203	1	All	11.00 [5.00]

NOTE: Spring Assemblies should be replaced in pairs.



**DISCONTINUED MODEL
SERVICE PARTS ONLY**

Please contact Customer Service for part availability
800.876.3929

SERVICE COMPONENTS					
ITEM	DESCRIPTION	PART NUMBER	QTY REQD	MODEL	WEIGHT LBS. [kg]
1	Equalizing Beam (Includes Key #5, 15, 16)	90516658	2	All	N/A
2	Axle Adapter LH	90001215	2	All	10.90 [4.94]
3	Axle Adapter RH	90001216	2	All	10.90 [4.94]
4	Adjustable Frame Bracket	90520830	2	All	28.50 [12.93]
5	Lower Mounting Plate	91544183	2	All	6.00 [2.72]
6	Upper Mounting Plate	91031659	2	All	7.00 [3.18]
7	Plate	91031663	2	All	4.10 [1.86]
8	Upper Strap Bracket	90519070	2	All	N/A
9	Gusset	90023001	2	All	3.84 [1.74]
10	Cap Screw 1-1/8-7 x 9-1/2" Gr8	93201055	2	All	2.92 [1.32]
11	Lock Nut 1-1/8-7 GrC	93400506	6	All	0.38 [0.17]
12	Alignment Block	90008147	2	All	1.50 [0.68]
13	Cap Screw 1-1/8-7 x 8-1/2" Gr8	93201051	4	All	2.80 [1.27]
14	Spacer Washer	90036177	12	All	0.80 [0.36]
15	Pivot Bushing	90008139	2	All	4.68 [2.12]
16	Rubber Bushing	90008149	4	All	2.50 [1.13]
17	Cap Screw 3/4" - 10" x 3-1/2" Gr5	93003597	4	All	0.52 [0.24]
18	Lock Nut 3/4" - 10 GrB	93400492	4	All	0.13 [0.06]
19	Sleeve	90036142	4	All	0.12 [0.05]
20	Strap	91044101	2	All	2.00 [0.91]
21	Rubber Cushion	91058580	2	All	8.00 [3.63]

NOTE: Spring Assemblies should be replaced in pairs.

QUICK & EASY PARTS ONLINE 

SEARCH 

Parts Knowledge at the Tip of Your Finger



When it comes to parts, become your customers' go-to source with quick and accurate information just a click away.

SAF 

Holland 

NEWAY 

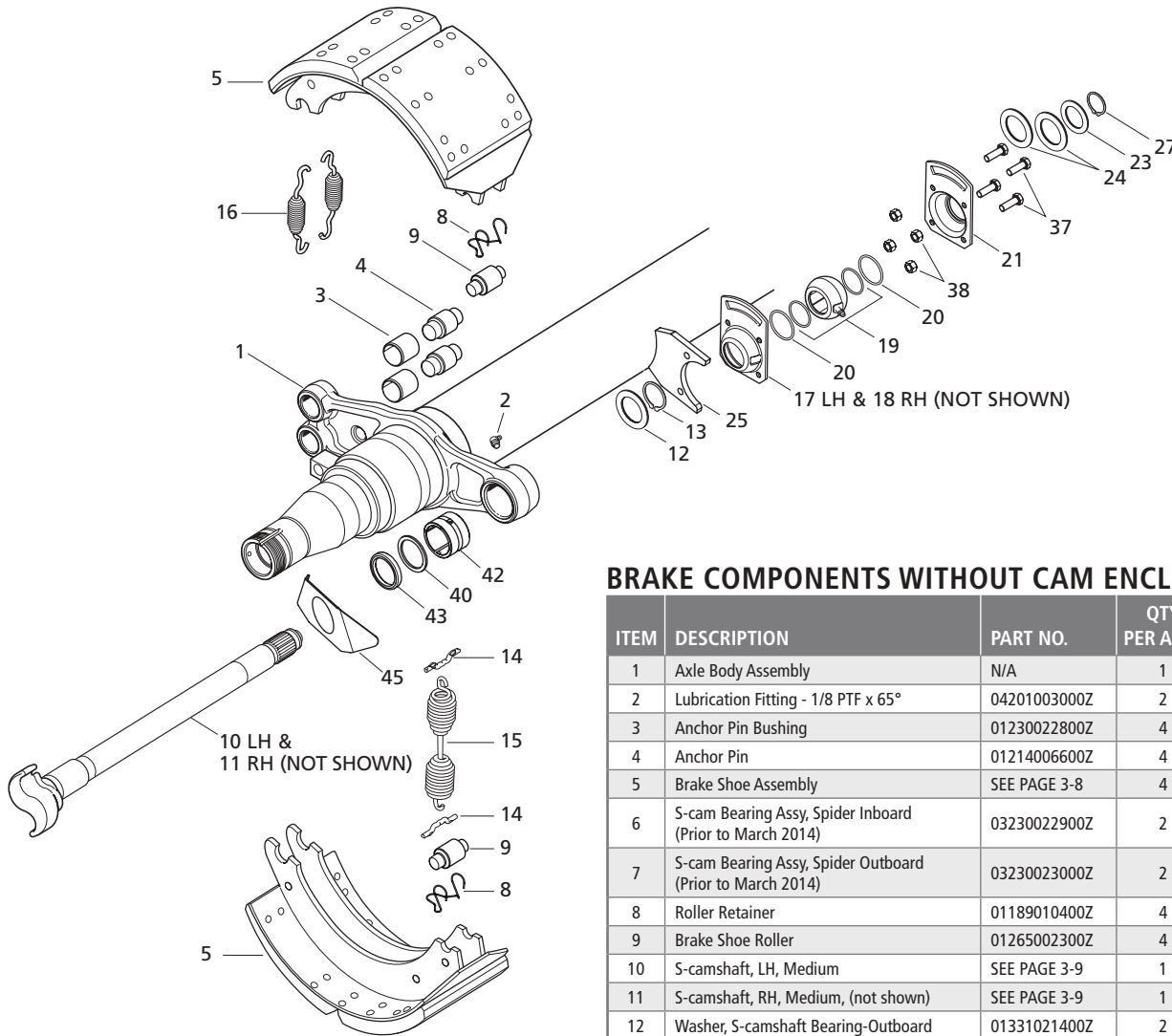
Contact us at 800.876.3929 to learn more

SAF DRUM BRAKE AXLES

1000 SERIES 5.75" DIAMETER AXLES



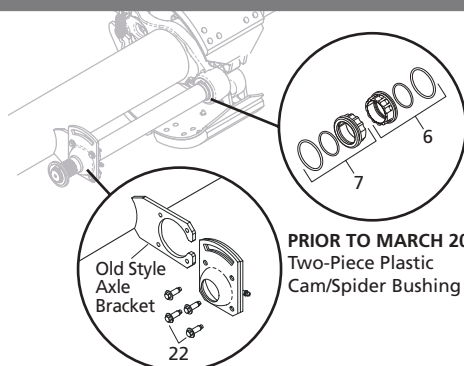
SAF *Holland*
ORIGINAL PARTS™



BRAKE COMPONENTS WITHOUT CAM ENCLOSURES

ITEM	DESCRIPTION	PART NO.	QTY PER AXLE	WEIGHT LBS [KG]
1	Axle Body Assembly	N/A	1	N/A
2	Lubrication Fitting - 1/8 PTF x 65°	04201003000Z	2	0.02 [0.01]
3	Anchor Pin Bushing	01230022800Z	4	0.10 [0.05]
4	Anchor Pin	01214006600Z	4	0.66 [0.30]
5	Brake Shoe Assembly	SEE PAGE 3-8	4	N/A
6	S-cam Bearing Assy, Spider Inboard (Prior to March 2014)	03230022900Z	2	0.05 [0.02]
7	S-cam Bearing Assy, Spider Outboard (Prior to March 2014)	03230023000Z	2	0.11 [0.05]
8	Roller Retainer	01189010400Z	4	0.01 [0.005]
9	Brake Shoe Roller	01265002300Z	4	0.60 [0.27]
10	S-camshaft, LH, Medium	SEE PAGE 3-9	1	N/A
11	S-camshaft, RH, Medium, (not shown)	SEE PAGE 3-9	1	N/A
12	Washer, S-camshaft Bearing-Outboard	01331021400Z	2	0.04 [0.02]
13	Retaining Ring	04348103100Z	2	0.01 [0.005]
14	Return Spring Pin	01395101600Z	4	0.04 [0.02]
15	Return Spring, Hub/Drum	01447006800Z	2	1.60 [0.73]
16	Anchor Pin Spring	01447006700Z	4	0.20 [0.09]
17	S-camshaft Bearing Housing, LH Slotted	01350202400Z	1	1.21 [0.55]
18	S-camshaft Bearing Housing, RH Slotted (not shown)	01350202500Z	1	1.21 [0.55]
19	S-camshaft Bearing Assembly	03230101300Z	2	0.20 [0.09]
20	S-camshaft Bearing Seal O-Ring, Inboard	04315007800Z	4	0.01 [0.005]
21	S-camshaft Bearing Housing	01350202300Z	2	1.23 [0.56]
22	Screw, Thread Rolling Tapping (Prior to November 2012)	04343207200Z	8	0.09 [0.04]
23	Washer, Shaft End	01331021200Z	2	0.03 [0.01]
24	Washer, Shaft End	01331021300Z	4	0.04 [0.02]
25	Bracket, Cam Bearing	2014100000040	1	0.68 [0.31]
27	Retaining Ring	04348103000Z	2	0.01 [0.005]
37	Bolt Hex Head Cap 5/16-18X1 GR 8 Zinc PL	1001100000100	4	0.01 [0.005]
38	Nut, Lock, Prevailing Torque, GR C Zinc PL	1001100000110	4	0.01 [0.005]
40	Seal	2024100000060	2	0.01 [0.005]
42	Bushing, Cam Bearing	2022100000220	2	0.41 [0.19]
43	Cam Seal-Spider	2024100000040	2	0.03 [0.01]
45	Guide Plate, Brake Roller Shoe	90026648	2	0.14 [0.06]

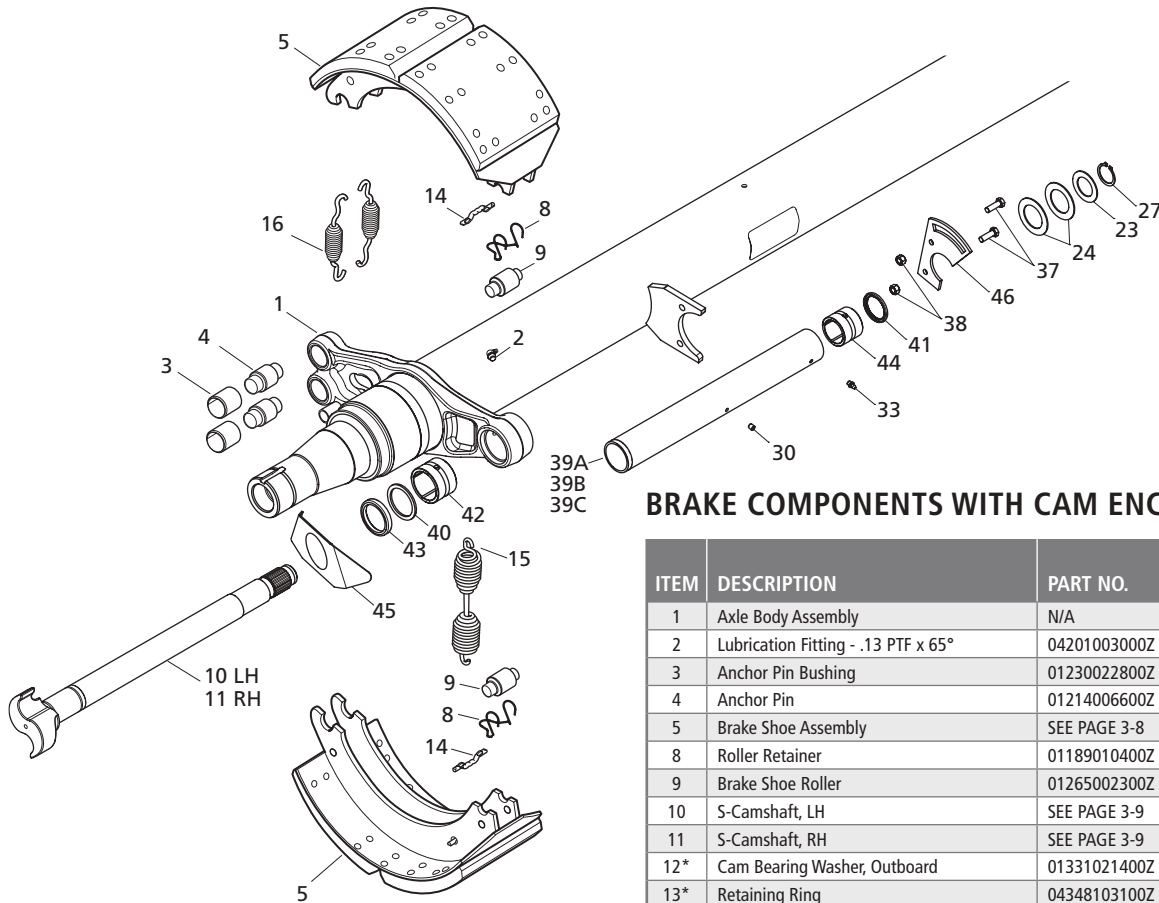
OLD STYLE BRAKE COMPONENTS WITHOUT CAM ENCLOSURES



PRIOR TO MARCH 2014:
Two-Piece Plastic
Cam/Spider Bushing

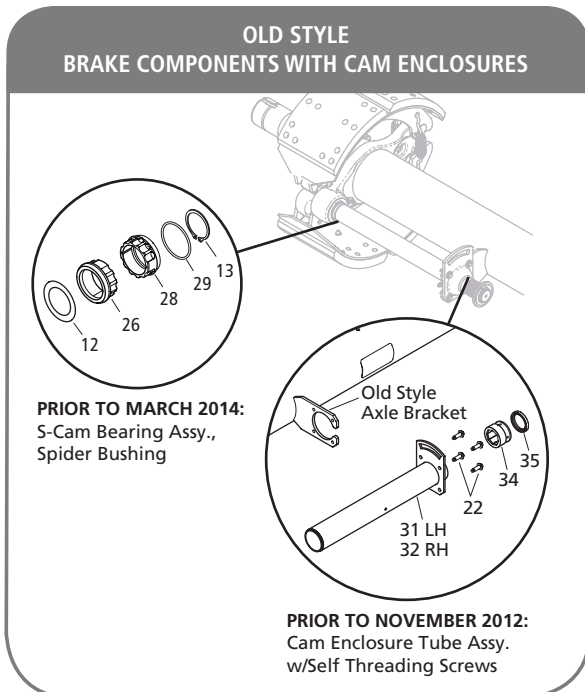
PRIOR TO NOVEMBER 2012:
Cam/Slack Bearing
w/Self Threading Screws

NOTE: One Kit Per Axle

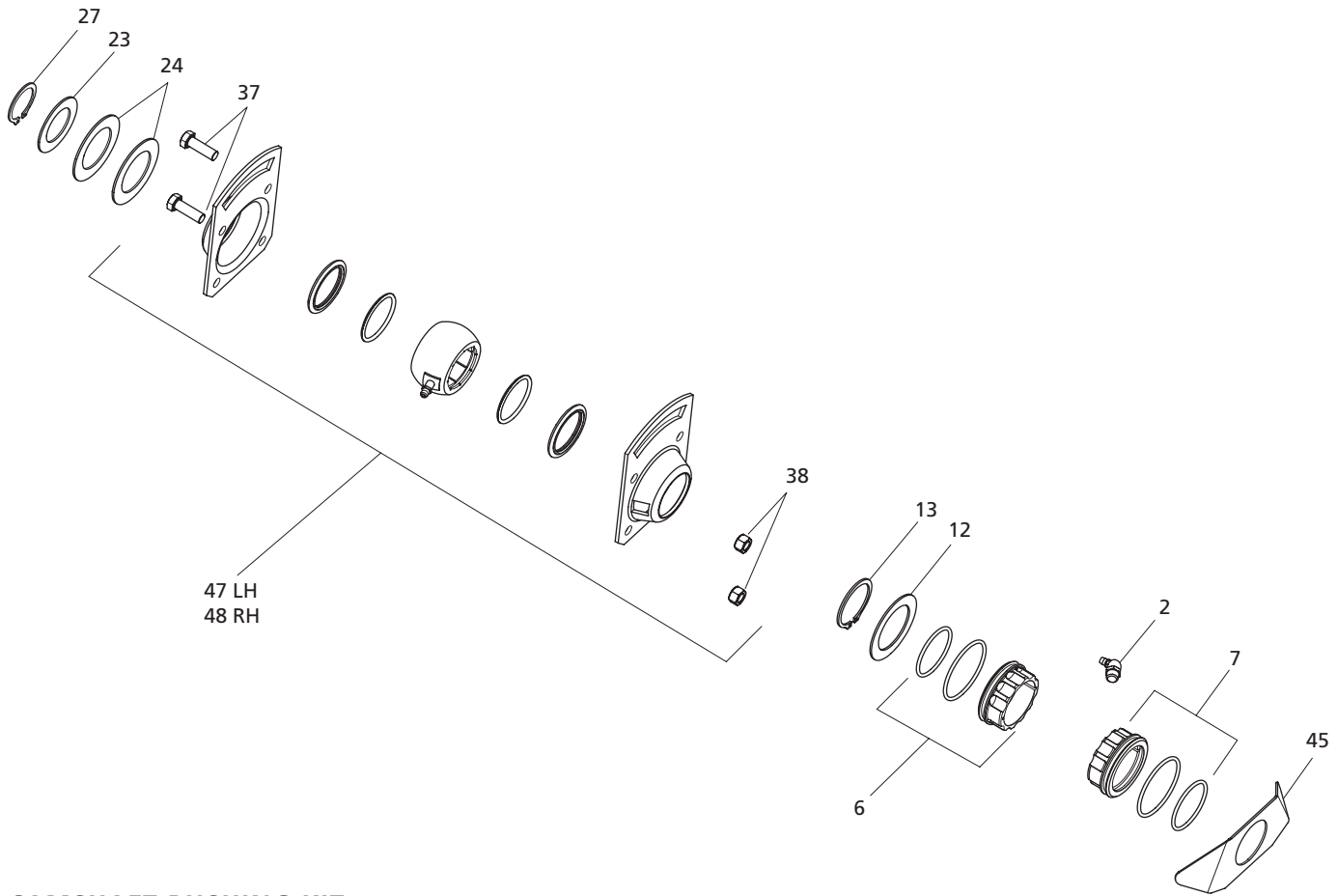


BRAKE COMPONENTS WITH CAM ENCLOSURES

ITEM	DESCRIPTION	PART NO.	QTY PER AXLE	WEIGHT LBS [KG]
1	Axle Body Assembly	N/A	1	N/A
2	Lubrication Fitting - .13 PTF x 65°	04201003000Z	2	0.02 [0.01]
3	Anchor Pin Bushing	01230022800Z	4	0.10 [0.05]
4	Anchor Pin	01214006600Z	4	0.66 [0.30]
5	Brake Shoe Assembly	SEE PAGE 3-8	4	N/A
8	Roller Retainer	01189010400Z	4	0.01 [0.005]
9	Brake Shoe Roller	01265002300Z	4	0.60 [0.275]
10	S-Camshaft, LH	SEE PAGE 3-9	1	N/A
11	S-Camshaft, RH	SEE PAGE 3-9	1	N/A
12*	Cam Bearing Washer, Outboard	01331021400Z	2	0.04 [0.02]
13*	Retaining Ring	04348103100Z	2	0.01 [0.005]
14	Return Spring Pin	01395101600Z	4	0.04 [0.02]
15	Return Spring, Hub/Drum	01447006800Z	2	1.60 [0.73]
16	Anchor Pin Spring	01447006700Z	4	0.20 [0.09]
22	Screw, Thread Rolling Tapping (Prior to November 2012)	04343207200Z	8	0.09 [0.04]
23	Washer, Shaft End	01331021200Z	2	0.03 [0.01]
24	Washer, Shaft End	01331021300Z	4	0.04 [0.02]
26	S-Cam Bearing Assy, Spider Outboard (Prior to March 2014)	03230023000Z	2	0.11 [0.05]
27	Retaining Ring	04348103000Z	2	0.01 [0.005]
28	S-Cam Bearing Assy, Spider Inboard (Prior to March 2014)	03230101800Z	2	0.05 [0.02]
29*	S-Camshaft Bearing Seal O-Ring, Inboard	04315008000Z	2	0.01 [0.005]
30	Pressure Plug - .06" NPTF	01337006300Z	2	0.01 [0.005]
31	Cam Enclosure Tube, LH	SEE PAGE 3-4	1	N/A
32	Cam Enclosure Tube, RH	SEE PAGE 3-4	1	N/A
33	Lubrication Fitting	04201003100Z	2	0.01 [0.005]
34	Cam Enclosure Bearing Assy. (Prior to Nov. 2012)	03230101700Z	2	0.01 [0.005]
35	Seal (Prior to Nov. 2012)	01093002400Z	2	0.05 [0.02]
37	Bolt Hex Head Cap 5/16-18X1 GR 8 Zinc PL	1001100000100	2	0.01 [0.005]
38	Nut, Lock, Prevailing Torque, GR C Zinc PL	1001100000110	2	0.01 [0.005]
39A	Tube - Short Cam	2076100000110	2	2.60 [1.18]
39B	Tube - Medium Cam	2076100000100	2	3.20 [1.45]
39C	Tube - Long Cam	2076100000120	2	4.00 [1.81]
40	Seal	2024100000060	2	0.01 [0.005]
41	Seal	2024100000050	2	0.02 [0.01]
42	Bushing, Cam Bearing	2022100000220	2	0.41 [0.19]
43	Cam Seal-Spider	2024100000040	2	0.03 [0.01]
44	Bushing	2022100000280	2	0.44 [0.20]
45	Guide Plate, Brake Roller Shoe	90026648	2	0.14 [0.06]
46	Bracket, Cam Enclosure	2014100000050	2	0.39 [0.18]



* Prior to March 2014



CAMSHAFT BUSHING KIT

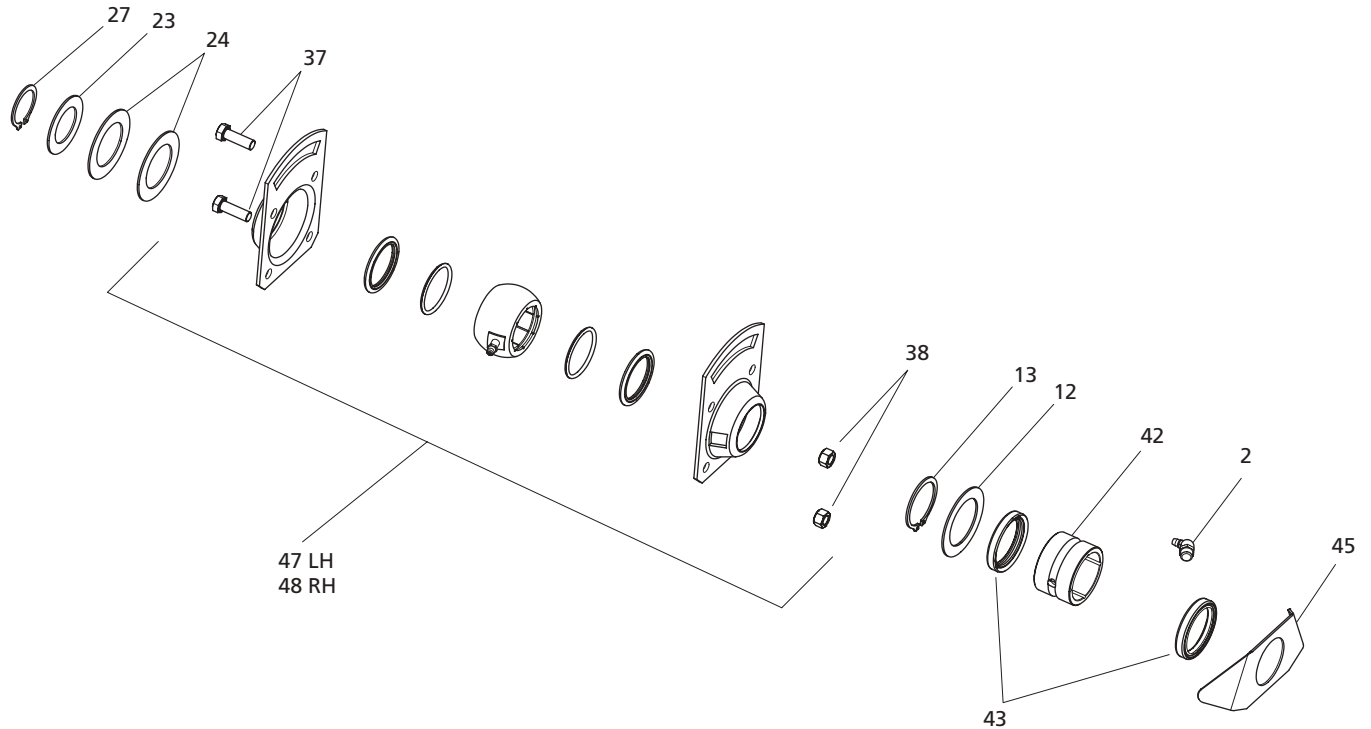
For units manufactured before February 2014

KIT PART NUMBER: 51830001

WEIGHT: 5.00 lbs. [2.27 KG]

ITEM	DESCRIPTION	PART NO.	QTY.	WEIGHT LBS [KG]
2	Fitting, Lubrication, 1/8 PTF X 65°	04201003000Z	2	0.02 [0.01]
6	Bearing Assy, Cam - Spider Inboard	03230022900Z	2	0.05 [0.02]
7	Bearing Assy, Cam - Spider Outboard	03230023000Z	2	0.11 [0.05]
12	Washer, Cam Bearing - Outboard	01331021400Z	2	0.04 [0.02]
13	Retaining Ring	04348103100Z	2	0.01 [0.005]
23	Washer, Shaft End	01331021200Z	2	0.03 [0.01]
24	Washer, Shaft End	01331021300Z	4	0.04 [0.02]
27	Retaining Ring	04348103000Z	2	0.01 [0.005]
37	Bolt, Hex Head Cap, 5/16-18X1, GR 8, Zinc PL	1001100000100	4	0.01 [0.005]
38	Nut, Lock, Prevailing Torque, GR C Zinc PL	1001100000110	4	0.01 [0.005]
45	Guide Plate, Brake Roller Shoe	90026648	2	0.14 [0.06]
47	Cam Bearing Kit - LH	2066300000010	1	1.26 [0.57]
48	Cam Bearing Kit - RH	2066300000020	1	1.26 [0.57]

NOTE: One Kit Per Axle.



CAMSHAFT BUSHING KIT

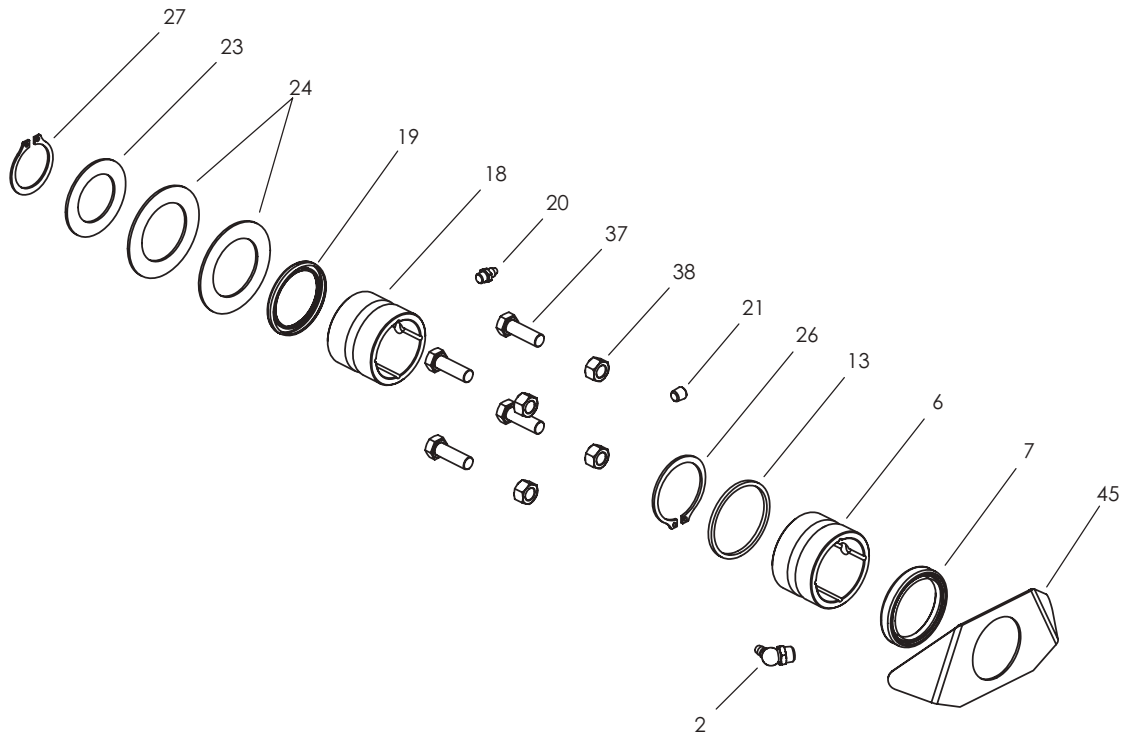
For units manufactured after January 2014

KIT PART NUMBER: 51830024

WEIGHT: 4.60 lbs. [2.07 KG]

ITEM	DESCRIPTION	PART NO.	QTY.	WT. (LBS.)
2	Fitting, Lubrication, 1/8 PTF X 65°	04201003000Z	2	0.02 [0.01]
12	Washer, Cam Bearing - Outboard	01331021400Z	2	0.04 [0.02]
13	Retaining Ring	04348103100Z	2	0.01 [0.005]
23	Washer, Shaft End	01331021200Z	2	0.03 [0.01]
24	Washer, Shaft End	01331021300Z	4	0.04 [0.02]
27	Retaining Ring	04348103000Z	2	0.01 [0.005]
37	Bolt, Hex Head Cap, 5/16-18X1, GR 8, Zinc PL	1001100000100	4	0.01 [0.005]
38	Nut, Lock, Prevailing Torque, GR C Zinc PL	1001100000110	4	0.01 [0.005]
42	Bushing, Cam Bearing	2022100000220	2	0.41 [0.19]
43	Cam Seal-Spider	2024100000040	4	0.03 [0.01]
45	Guide Plate, Brake Roller Shoe	90026648	2	0.14 [0.06]
47	Cam Bearing Kit - LH	2066300000010	1	1.26 [0.57]
48	Cam Bearing Kit - RH	2066300000020	1	1.26 [0.57]

NOTE: One Kit Per Axle.



CAMSHAFT BUSHING KIT

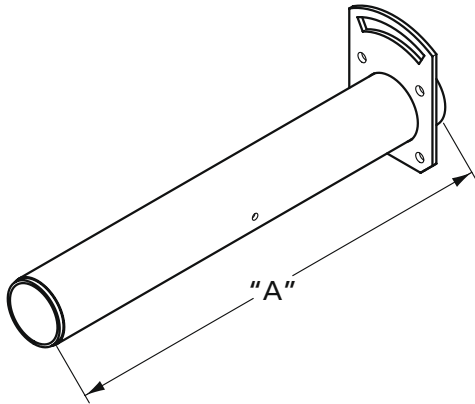
KIT PART NUMBER: 51830025

WEIGHT: 5.00 lbs. [2.27 KG]

ITEM	DESCRIPTION	PART NO.	QTY.	WEIGHT LBS [KG]
2	Fitting, Lubrication, 1/8 PTF X 65°	04201003000Z	2	0.02 [0.01]
6	Bushing, Cam Bearing	2022100000220	2	0.41 [0.19]
7	Bearing Assy, Cam - Spider Outboard	2024100000040	2	0.025 [0.01]
13	Retaining Ring	04348103100Z	2	0.01 [0.005]
18	Bushing	2022100000280	2	0.44 [0.19]
19	Seal	2024100000050	2	0.02 [0.01]
20	Fitting, Lubrication	04201003100Z	2	0.01 [0.005]
21	Pressure Plug, 1/16" NPTF	01337006300Z	2	0.01 [0.005]
23	Washer, Shaft End	01331021200Z	2	0.03 [0.01]
24	Washer, Shaft End	01331021300Z	4	0.04 [0.02]
27	Retaining Ring	04348103000Z	2	0.01 [0.005]
37	Bolt, Hex Head Cap, 5/16-18X1, GR 8, Zinc PL	1001100000100	4	0.01 [0.005]
38	Nut, Lock, Prevailing Torque, GR C Zinc PL	1001100000110	4	0.01 [0.005]
45	Guide Plate, Brake Roller Shoe	90026648	2	0.14 [0.06]

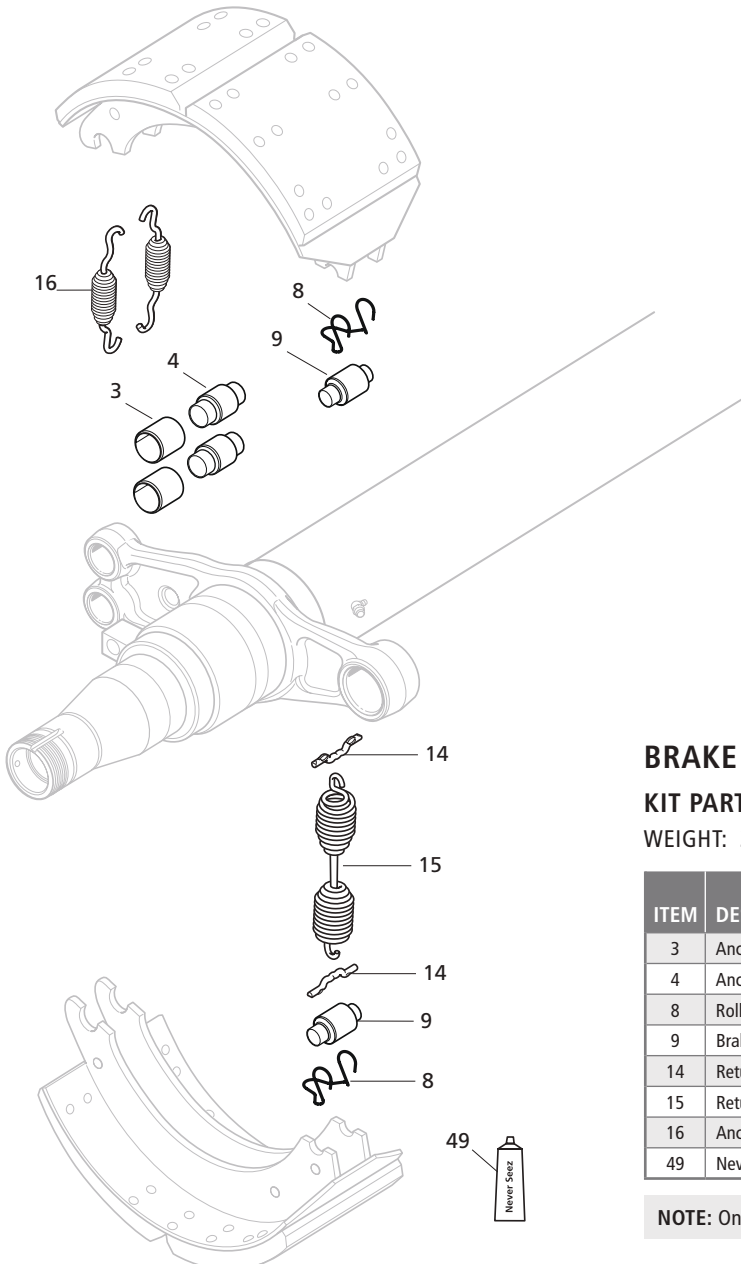
NOTE: One Kit Per Axle.

Drum Brake Components Kits



CAM ENCLOSURE TUBE

ITEM	DESCRIPTION	PART NO.	DIM "A"	WEIGHT LBS [KG]
31	LH - Short - Cam Enclosure Tube	02309014600Z	13.19"	3.50 [1.59]
32	RH - Short - Cam Enclosure Tube	02309014300Z	13.19"	3.50 [1.59]
31	LH - Intermediate - Cam Enclosure Tube	02309014500Z	16.19"	4.30 [1.95]
32	RH - Intermediate - Cam Enclosure Tube	02309014200Z	16.19"	4.30 [1.95]
31	LH - Long - Cam Enclosure Tube	02309014700Z	19.69"	5.10 [2.31]
32	RH - Long - Cam Enclosure Tube	02309014400Z	19.69"	5.10 [2.31]



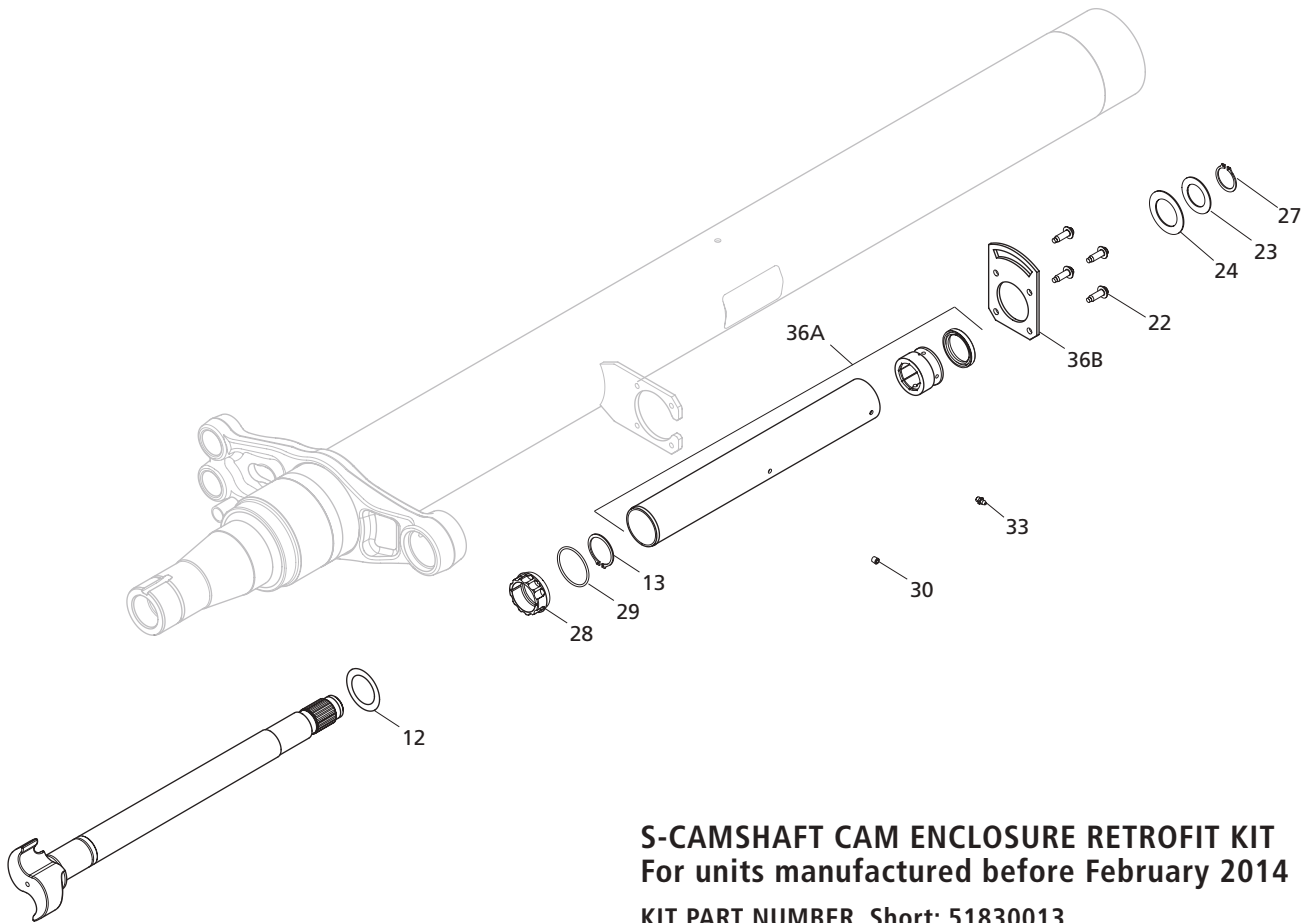
BRAKE PIN KIT

KIT PART NUMBER: 51830000

WEIGHT: 3.80 lbs. [1.72 KG]

ITEM	DESCRIPTION	PART NO.	QTY	WEIGHT LBS [KG]
3	Anchor Pin Bushing	01230022800Z	2	0.10 [0.05]
4	Anchor Pin	01214006600Z	2	0.66 [0.30]
8	Roller Retainer	01189010400Z	2	0.01 [0.005]
9	Brake Shoe Roller	01265002300Z	2	0.60 [0.27]
14	Return Spring Pin	01395101600Z	2	0.04 [0.02]
15	Return Spring - Hub/Drum	01447006800Z	1	1.60 [0.73]
16	Anchor Pin Spring	01447006700Z	2	0.20 [0.09]
49	Never-Seez	XB-02967	1	N/A

NOTE: One Kit Per Wheel End



S-CAMSHAFT CAM ENCLOSURE RETROFIT KIT For units manufactured before February 2014

KIT PART NUMBER, Short: 51830013

KIT PART NUMBER, Medium: 51830012

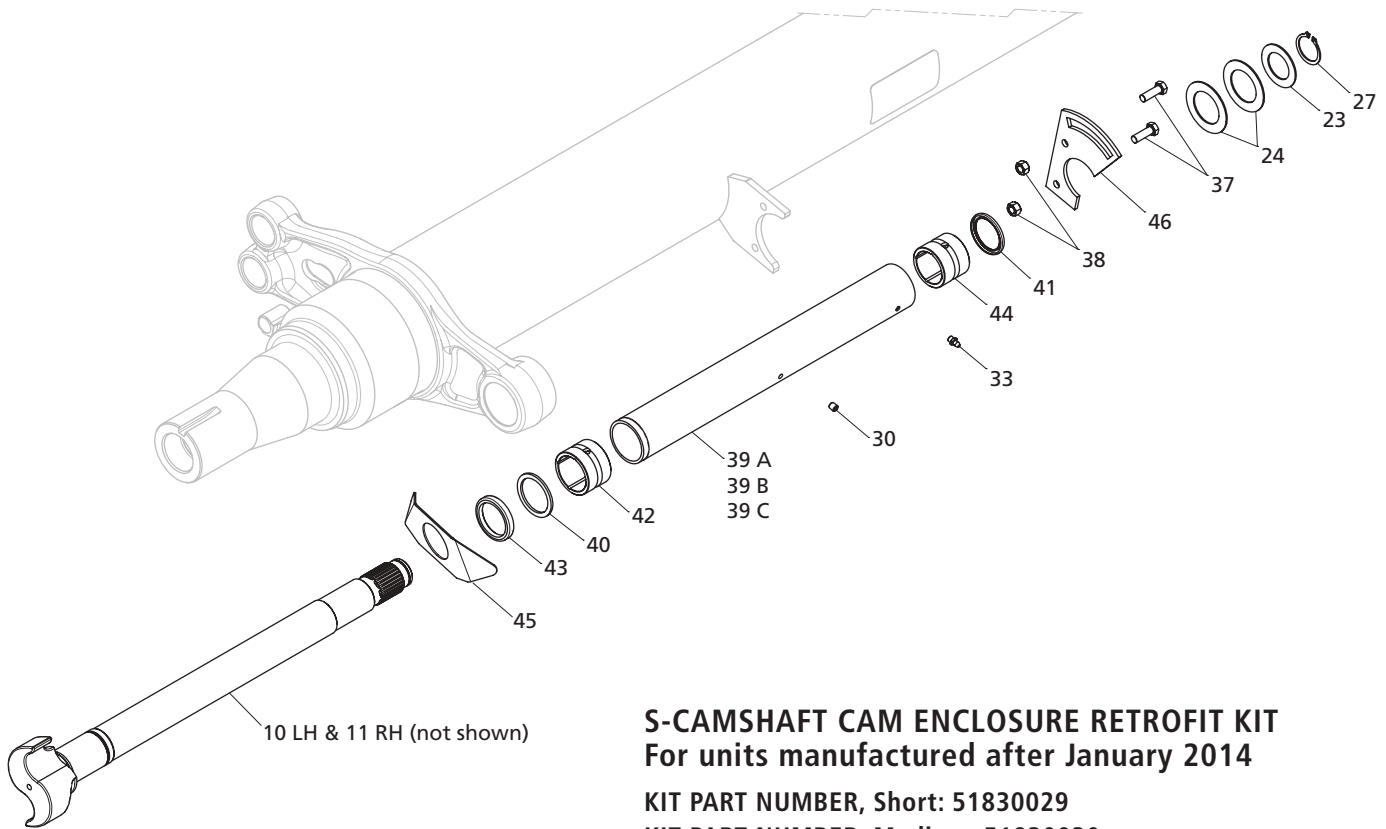
KIT PART NUMBER, Long: 51830014

WEIGHT: 5.00 lbs. [2.27 KG]

Each assembly includes: (1) Cam Enclosure Bearing Assembly and (1) Seal

ITEM	DESCRIPTION	PART NO.	QTY PER AXLE	WEIGHT LBS [KG]
12	Cam Bearing Washer, Outboard	01331021400Z	2	0.04 [0.02]
13	Retaining Ring	04348103100Z	2	0.01 [0.005]
22	Screw, Thread Rolling Tapping	04343207200Z	8	0.09 [0.04]
23	Washer, Shaft End	01331021200Z	2	0.03 [0.01]
24	Washer, Shaft End	01331021300Z	2	0.04 [0.02]
27	Retaining Ring	04348103000Z	2	0.01 [0.005]
28	S-Cam Bearing, Spider Inboard	01230101800Z	2	0.45 [0.20]
29	S-Camshaft Bearing Seal O-Ring, Inboard	04315008000Z	2	0.01 [0.005]
30	Pressure Plug - .06" NPTF	01337006300Z	2	0.01 [0.005]
33	Lubrication Fitting	04201003100Z	2	0.01 [0.005]
36A	Sub-Assy Cam Enclosure - Short	03309014300Z	2	3.10 [1.41]
	- Medium (Not Shown)	03309014200Z	2	3.80 [1.72]
	- Long (Not Shown)	03309014400Z	2	4.70 [2.13]
36B	Plate	01284009500Z	2	0.33 [0.15]

NOTE: One Kit Per Axle



S-CAMSHAFT CAM ENCLOSURE RETROFIT KIT
For units manufactured after January 2014

KIT PART NUMBER, Short: 51830029

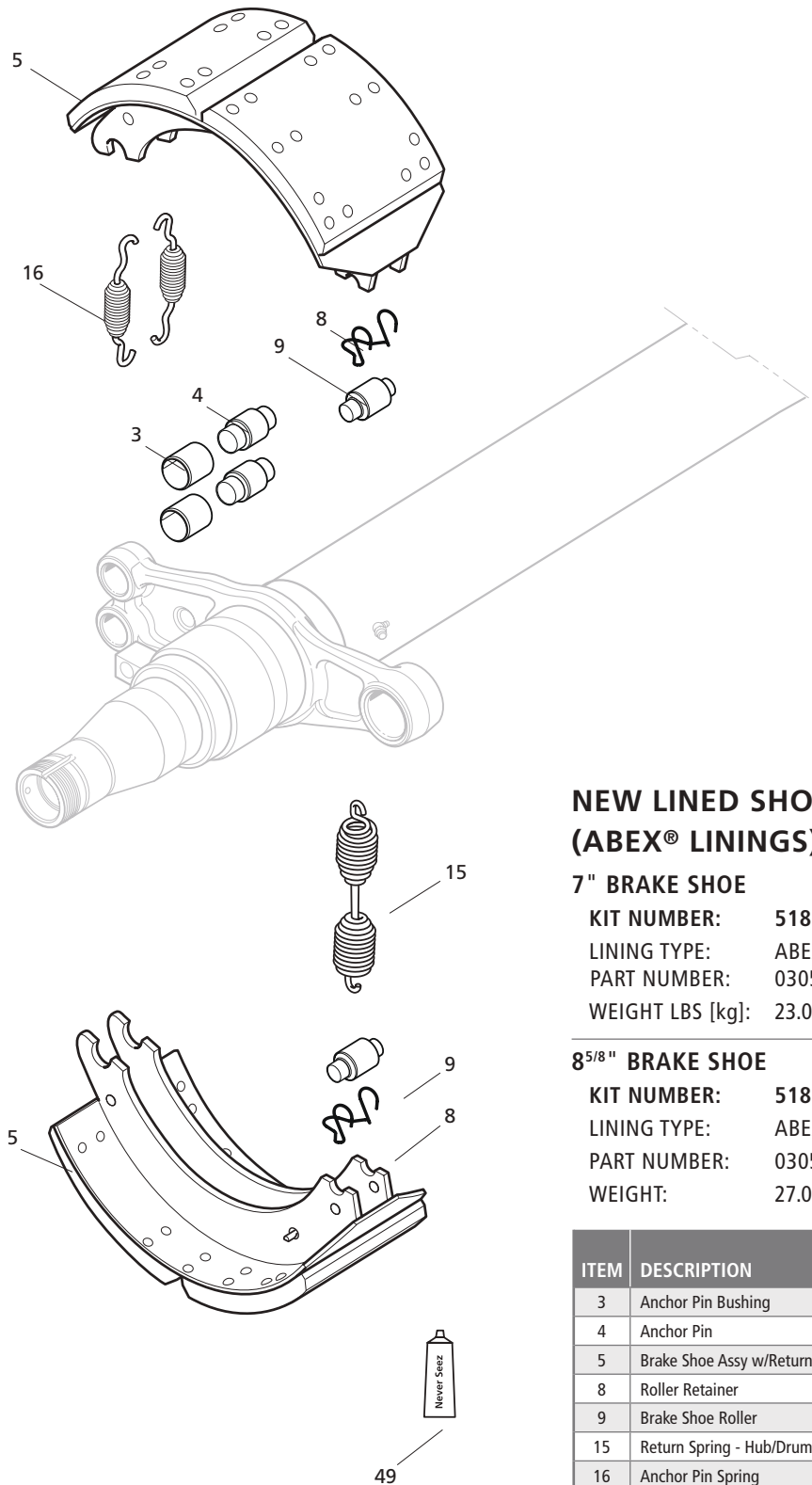
KIT PART NUMBER, Medium: 51830030

KIT PART NUMBER, Long: 51830031

WEIGHT: 5.00 lbs. [2.27 KG]

ITEM	DESCRIPTION	PART NO.	QTY	WEIGHT LBS [KG]
10	S-camshaft, LH	SEE PAGE 3-9	1	N/A
11	S-camshaft, RH (not shown)	SEE PAGE 3-9	1	N/A
23	Washer, Shaft End	01331021200Z	2	0.03 [0.01]
24	Washer, Shaft End	01331021300Z	4	0.04 [0.02]
27	Retaining Ring	04348103000Z	2	0.01 [0.005]
30	Pressure Plug - .06" NPTF	01337006300Z	2	0.01 [0.005]
33	Lubrication Fitting	04201003100Z	2	0.01 [0.005]
37	Bolt Hex Head Cap 5/16-18X1 GR 8 Zinc PL	1001100000100	4	0.01 [0.005]
38	Nut, Lock, Prevailing Torque, GR C Zinc PL	1001100000110	4	0.01 [0.005]
39A	Tube - Short Cam	2076100000110	2	2.60 [1.18]
39B	Tube - Medium Cam	2076100000100	2	2.60 [1.18]
39C	Tube - Long Cam	2076100000120	2	4.00 [1.81]
40	Seal	2024100000060	2	0.01 [0.005]
41	Seal	2024100000050	2	0.02 [0.01]
42	Bushing, Cam Bearing	2022100000220	2	0.41 [0.19]
43	Cam Seal-Spider	2024100000040	2	0.03 [0.01]
44	Bushing	2022100000280	2	0.44 [0.20]
45	Guide Plate, Brake Roller Shoe	90026648	2	0.14 [0.06]
46	Bracket, Cam Enclosure	2014100000050	2	0.39 [0.18]

NOTE: One Kit Per Axle



NEW LINED SHOES & HARDWARE KIT (ABEX® LININGS)

7" BRAKE SHOE

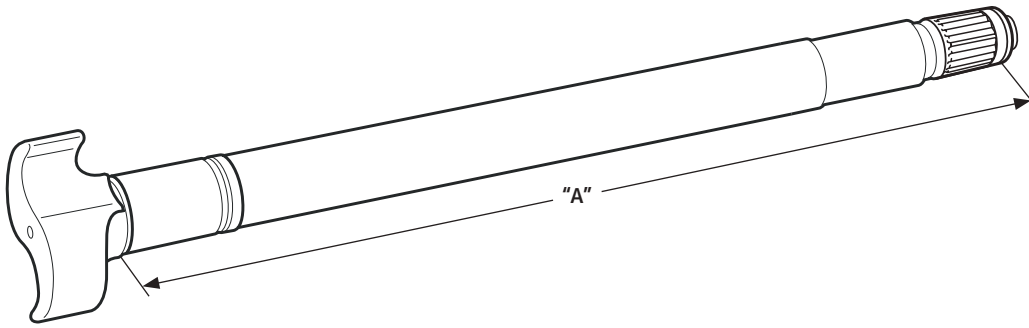
KIT NUMBER:	51830008	51830009	51830020
LINING TYPE:	ABEX 3030-197	ABEX 931-162	Crest XL
PART NUMBER:	03055014600Z	03055014700Z	2017300000010
WEIGHT LBS [kg]:	23.00 [10.43]	23.00 [10.43]	23.00 [10.43]

8^{5/8}" BRAKE SHOE

KIT NUMBER:	51830010	51830011
LINING TYPE:	ABEX 3030-197	ABEX 931-162
PART NUMBER:	03055014800Z	03055014900Z
WEIGHT:	27.00 lbs. [12.25 KG]	27.00 lbs. [12.25 KG]

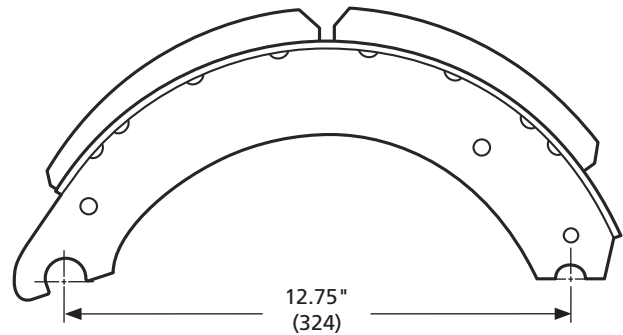
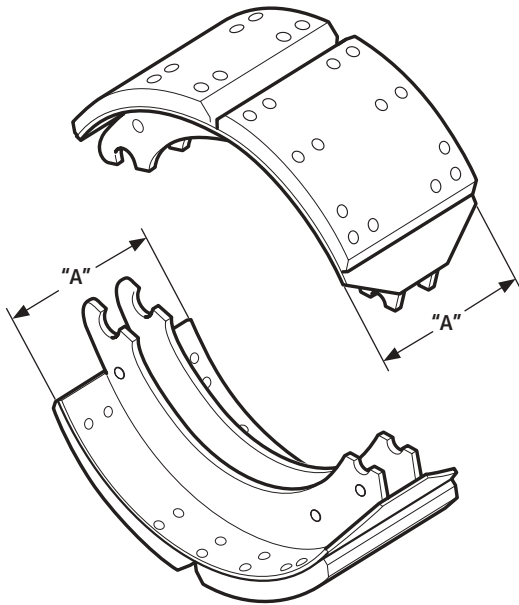
ITEM	DESCRIPTION	PART NO.	QTY	WEIGHT LBS [KG]
3	Anchor Pin Bushing	01230022800Z	2	0.10 [0.05]
4	Anchor Pin	01214006600Z	2	0.66 [0.30]
5	Brake Shoe Assy w/Return Pin - ABEX Lining	SEE ABOVE	2	N/A
8	Roller Retainer	01189010400Z	2	0.01 [0.005]
9	Brake Shoe Roller	01265002300Z	2	0.60 [0.27]
15	Return Spring - Hub/Drum	01447006800Z	1	1.60 [0.73]
16	Anchor Pin Spring	01447006700Z	2	0.20 [0.09]
49	Never-Seez	XB-02967	1	N/A

NOTE: One Kit Per Wheel End



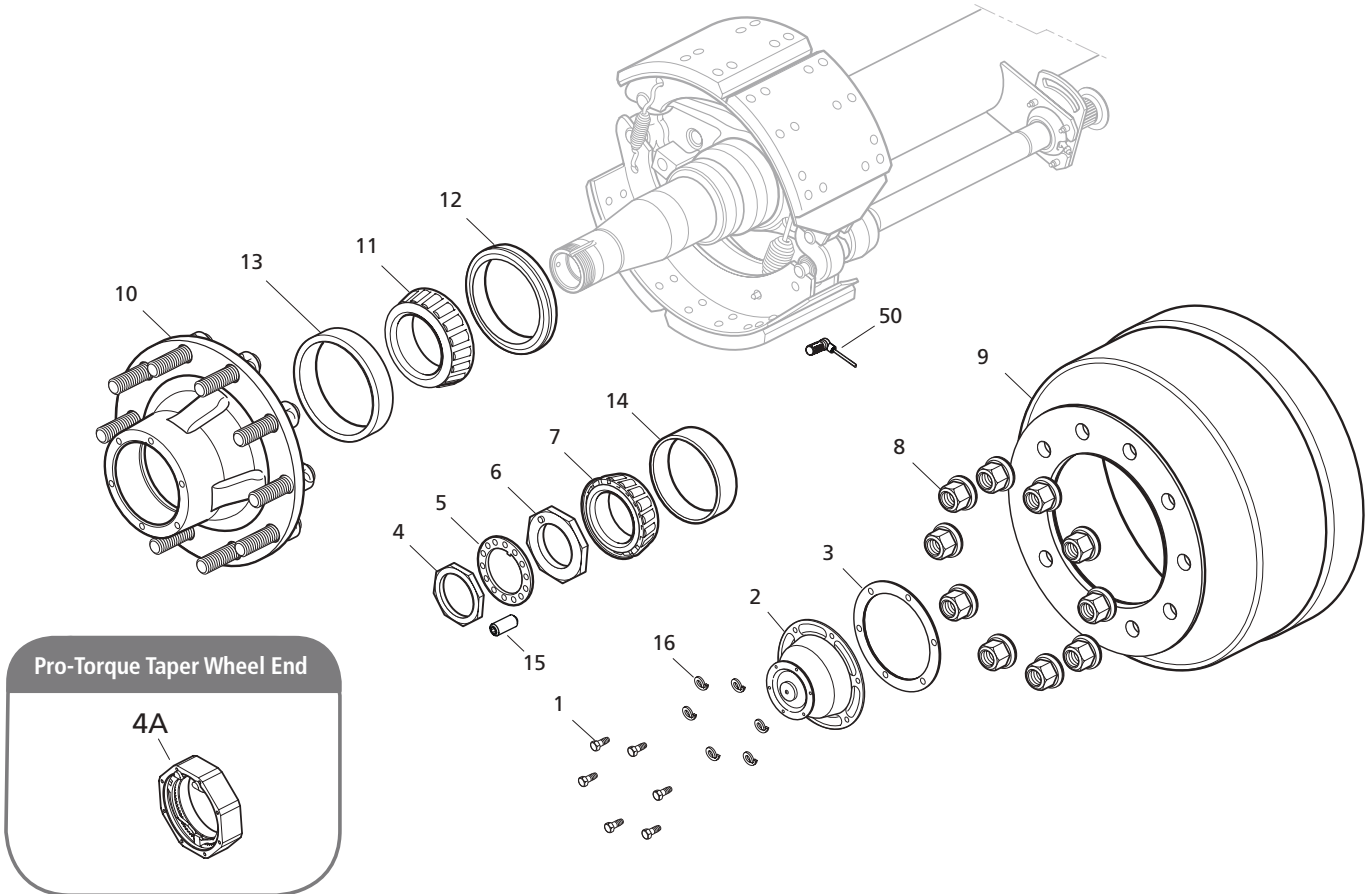
28 SPLINE S-CAMSHAFT KIT

ITEM	DESCRIPTION	PART NO.	DIM "A"	WEIGHT LBS [KG]
10	LH - Short	51830002	17.38"	11.10 [5.03]
11	RH - Short	51830003	17.38"	11.10 [5.03]
10	LH - Medium	51830004	20.38"	12.80 [5.81]
11	RH - Medium	51830005	20.38"	12.80 [5.81]
10	LH - Long	51830006	23.88"	14.70 [6.67]
11	RH - Long	51830007	23.88"	14.70 [6.67]



BRAKE SHOES AND LININGS

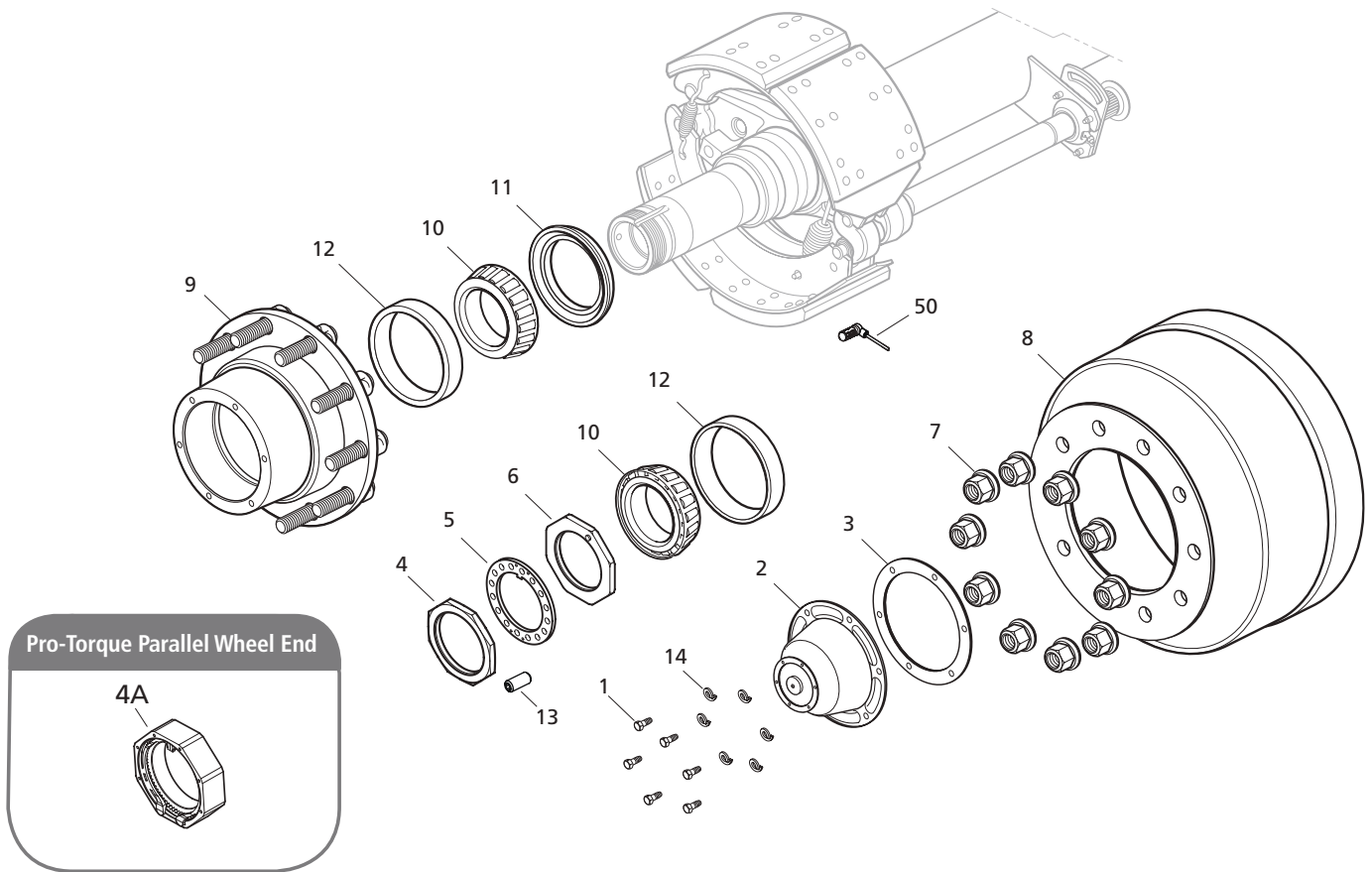
ITEM	DESCRIPTION	PART NO.	DIM "A"	WEIGHT LBS [KG]
5	16.5" x 7.00" - ABEX 3030-197	03055014200Z	7.00"	18.50 [8.39]
5	16.5" x 7.00" - ABEX 931-162	03055014300Z	7.00"	18.50 [8.39]
5	16.5" x 8.63" - ABEX 3030-197	03055014400Z	8.63"	22.70 [10.30]
5	16.5" x 8.63" - ABEX 931-162	03055014500Z	8.63"	22.70 [10.30]



Tapered Spindle Components

ITEM	DESCRIPTION	PART NO.	QTY.	WEIGHT LBS [KG]
1	Bolt, Hub Cap	04343207800Z	12	0.03 [0.01]
2	Hub Cap Assy, Aluminum, Oil	01304011500Z	2	0.89 [0.40]
	Hub Cap Assy, Aluminum, Oil, w/Sidefill	01304012000Z		0.89 [0.40]
	Hub Cap Assy, Aluminum, Oil, w/Sidefill, PSI Prep	01304012400Z		0.89 [0.40]
	Hub Cap Assy, Aluminum, Oil, Integrated Sentinel	01304013200Z		0.89 [0.40]
	Hub Cap Assy, Aluminum, Grease	01304011800Z		0.80 [0.36]
	Hub Cap Assy, Aluminum, Grease, PSI Prep	01304012700Z		0.80 [0.36]
3	Hub Cap Assy, Aluminum, Grease, Integrated Sentinel	2047300000050	2	0.80 [0.36]
	Gasket, Hub Cap	01093002200Z		0.01 [0.005]
4	Nut, Axle-Outer	01011009300Z	2	0.38 [0.17]
4A	Axle Nut, Pro-Torque	01011009500Z	2	1.00 [0.45]
5	Washer, Axle Lock	01345004300Z	2	0.30 [0.14]
6	Nut, Axle-Inner	01011009200Z	2	0.73 [0.33]
7	Cone, Bearing-Outer	04200102200Z	2	2.75 [1.25]
8	Nut, Flange	04247301201Z	20	0.30 [0.14]
9	Brake Drum, Cast, 7"	01064031100Z	2	110.00 [49.90]
	Brake Drum, Cast, 8.63"	01064031300Z		132.00 [59.87]
	Brake Drum, Centrifuse, 7"	01064031800Z		90.00 [40.82]
	Brake Drum, Centrifuse, 8.63"	2021100000020		102.00 [46.27]

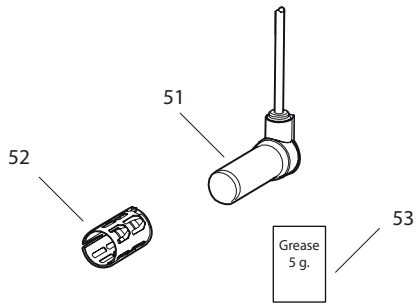
ITEM	DESCRIPTION	PART NO.	QTY.	WEIGHT LBS [KG]
10	Hub Assy, Short	03606116912Z	2	46.50 [21.09]
	Hub Assy, Long	03606116910Z		45.50 [20.64]
	Hub Assy, Short, Lightweight	03606117112Z		33.00 [14.97]
	Hub Assy, Long, Lightweight	03606117113Z		34.00 [15.42]
11	Cone, Bearing-Inner	04200102100Z	2	3.75 [1.70]
12	Seal, Hub	01092002900Z	2	0.68 [0.31]
13	Bearing Cup, Inner	01231000800Z	2	1.90 [0.86]
14	Bearing Cup, Outer	01231000700Z	2	1.50 [0.68]
15	Set Screw	47044063	2	0.01 [0.005]
16	Washer, Lock 5/16"	04141001500Z	12	0.01 [0.005]
50	ABS Sensor Kit	1022300000020	2	0.16 [0.07]



Parallel Spindle Components

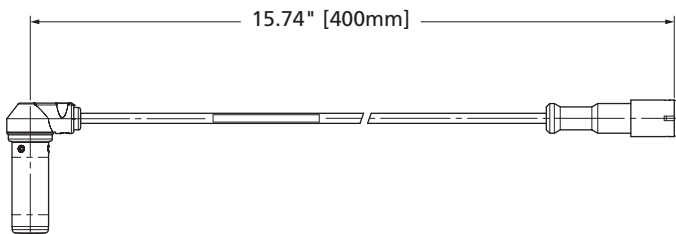
ITEM	DESCRIPTION	PART NO.	QTY.	WEIGHT LBS [KG]
1	Bolt, Hub Cap	04343207800Z	12	0.03 [0.01]
2	Hub Cap Assy, Aluminum	01304011900Z	2	1.20 [0.54]
3	Gasket, Hub Cap	01093002300Z	2	0.01 [0.005]
4	Nut, Axle-Outer	01011009700Z	2	0.70 [0.32]
4A	Axle Nut, Pro-Torque	01011009400Z	2	1.00 [0.45]
5	Washer, Axle Lock	01345004500Z	2	0.50 [0.23]
6	Nut, Axle-Inner	01011009600Z	2	1.10 [0.50]
7	Nut, Flange	04247301201Z	20	0.30 [0.14]
8	Brake Drum, Cast, 7"	01064031100Z	2	110.00 [49.90]
	Brake Drum, Cast, 8.63"	01064031300Z		132.00 [59.87]
	Brake Drum, Centrifuse, 7"	01064031800Z		90.00 [40.82]
	Brake Drum, Centrifuse, 8.63"	2021100000020		102.00 [46.27]
9	Hub Assy, Long	03606117012Z	2	50.00 [22.68]
	Hub Assy, Short	03606117010Z		49.00 [22.23]
	Hub Assy, Short, Lightweight	03606117212Z		35.00 [15.88]
	Hub Assy, Long, Lightweight	03606117213Z		36.00 [16.33]

ITEM	DESCRIPTION	PART NO.	QTY.	WEIGHT LBS [KG]
10	Cone, Bearing	04200102300Z	4	3.75 [1.70]
11	Seal, Hub	01092003100Z	2	1.00 [0.45]
12	Bearing Cup	01231000900Z	4	1.70 [0.77]
13	Set Screw	47044063	2	0.01 [0.005]
14	Washer, Lock 5/16"	04141001500Z	12	0.01 [0.005]
50	ABS Sensor Kit	1022300000020	2	0.16 [0.07]



Drum Brake ABS Sensor Kit 102230000020

ITEM	DESCRIPTION	PART NO.	QTY.	WEIGHT LBS [KG]
51	ABS Sensor	04029107500Z	1	0.11 [0.05]
52	Clip, ABS Sensor	04029101300Z	1	0.01 [0.005]
53	Grease, 5 g.	05387001503Z	1	0.01 [0.005]



THIS PAGE INTENTIONALLY LEFT BLANK

Model Identification

3. Self-Steering Axle Model Identification

The Self-Steering Axle Serial Tag is located near the center of the axle tube (**Figure 2**).

4. Model Nomenclature

The sample tag shown will help you interpret the information on the SAF-HOLLAND, Inc. serial number tag. The axle version, type, test report number, serial number, identification number, axle capacity, and max speed is listed on the tag (**Figure 3**).

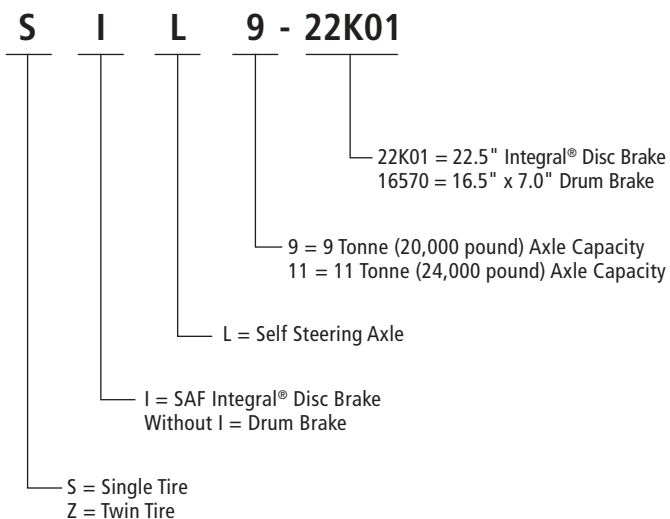


Figure 2

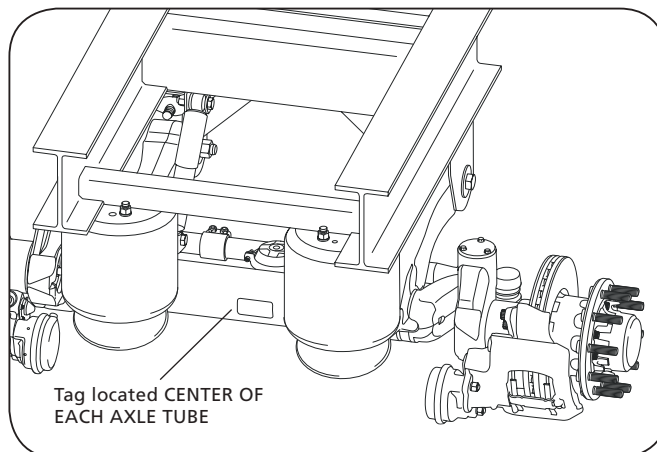





Figure 3

SAF-HOLLAND GMBH D-63856 BESSENBACH • GERMANY			
Version	SIL11-22K01	Serial No.	51 11 156 0020
Type	SBK2243-13S01	Ident No.	171 11 02 750 10
Test Report	3611203	Perm. axle cap. stat.	11000 kg
Made in Germany		V max.	105 km/h
			
AN 333528		SN 11091560020	

Service Parts

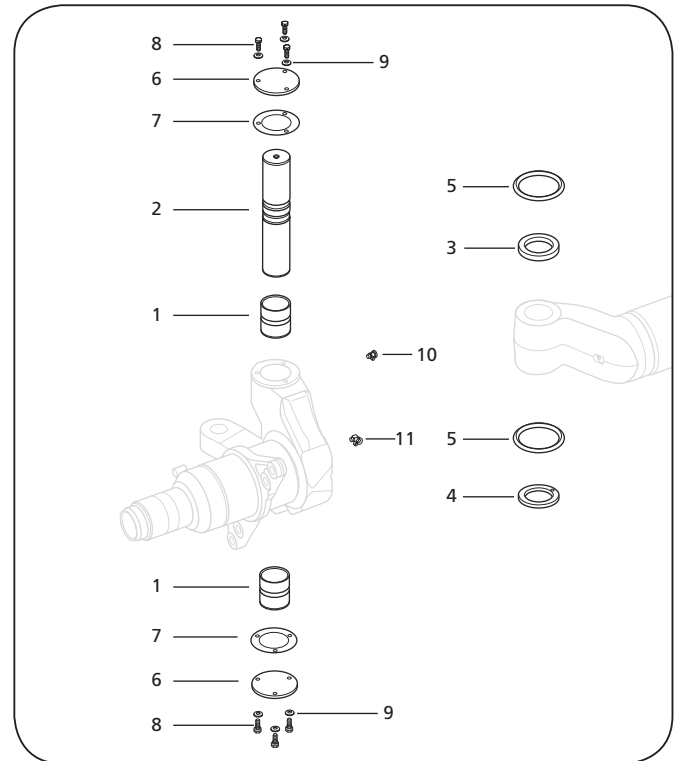
ITEM	DESCRIPTION	PART NUMBER	QTY. PER AXLE
1*	Bearing D65 / 60 x 70	04230017000Z	4
2*	Steering Bolt	01217001900Z	2
3*	Pressure Plate-Upper	01101000900Z	2
4*	Pressure Plate-Lower	01101001102Z	2
5*	O-Ring D84 x 11	04315001100Z	4
6*	Cover Plate	01091003600Z	4
7*	Gasket	01093001700Z	4
8*	Hexagon Screw M8	04343101588Z	12
9*	Lock Washer A8	04141000100Z	12
10*	Grease Fitting AM8 x 1	04201000100Z	2
11*	Grease Fitting BM8	04201000200Z	2
12A	Tie Rod Assembly 56.7" - 59.0"	03357021100Z	1
12B	Tie Rod Assembly 61.4" - 63.75"	03357021300Z	1
13	Tie Rod End - LH	02205000300Z	1
14	Tie Rod End - RH	02205000400Z	1
15	Axle Lock Actuator	03454112570Z	1
16	Stabilizing Damper	02376101300Z	1
17**	M-24 x 110 Grade 8.8 Bolt	04343002388Z	2
18**	Class 8 Nylon Insert Lock Nut	04247401480Z	2

* Available only in kit form 03434365700Z, Knuckle Repair Kit

** Available only in kit form 03341002319Z, Stabilizing Damper Fastener Kit

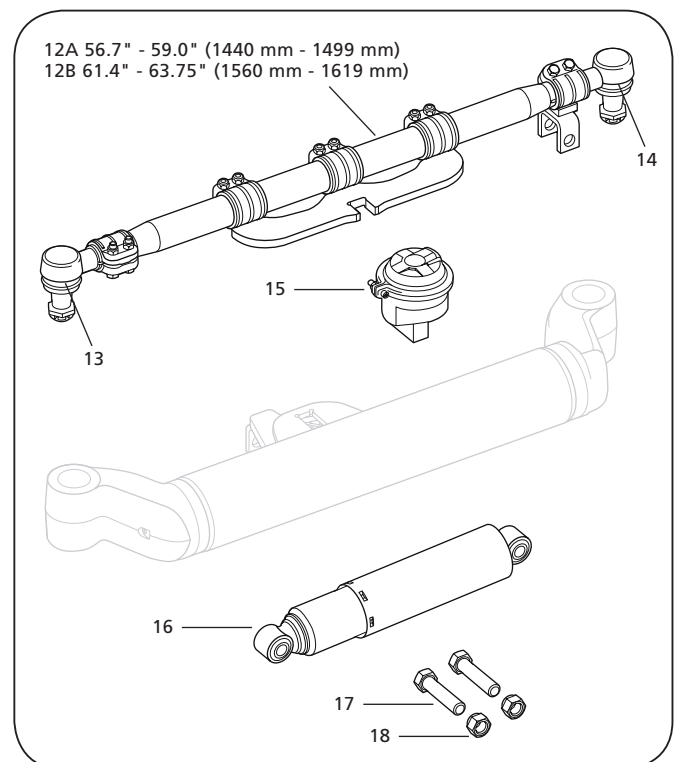
NOTE: Kits available from your local SAF-HOLLAND Distributor.

Figure 9



Self Steer Axle

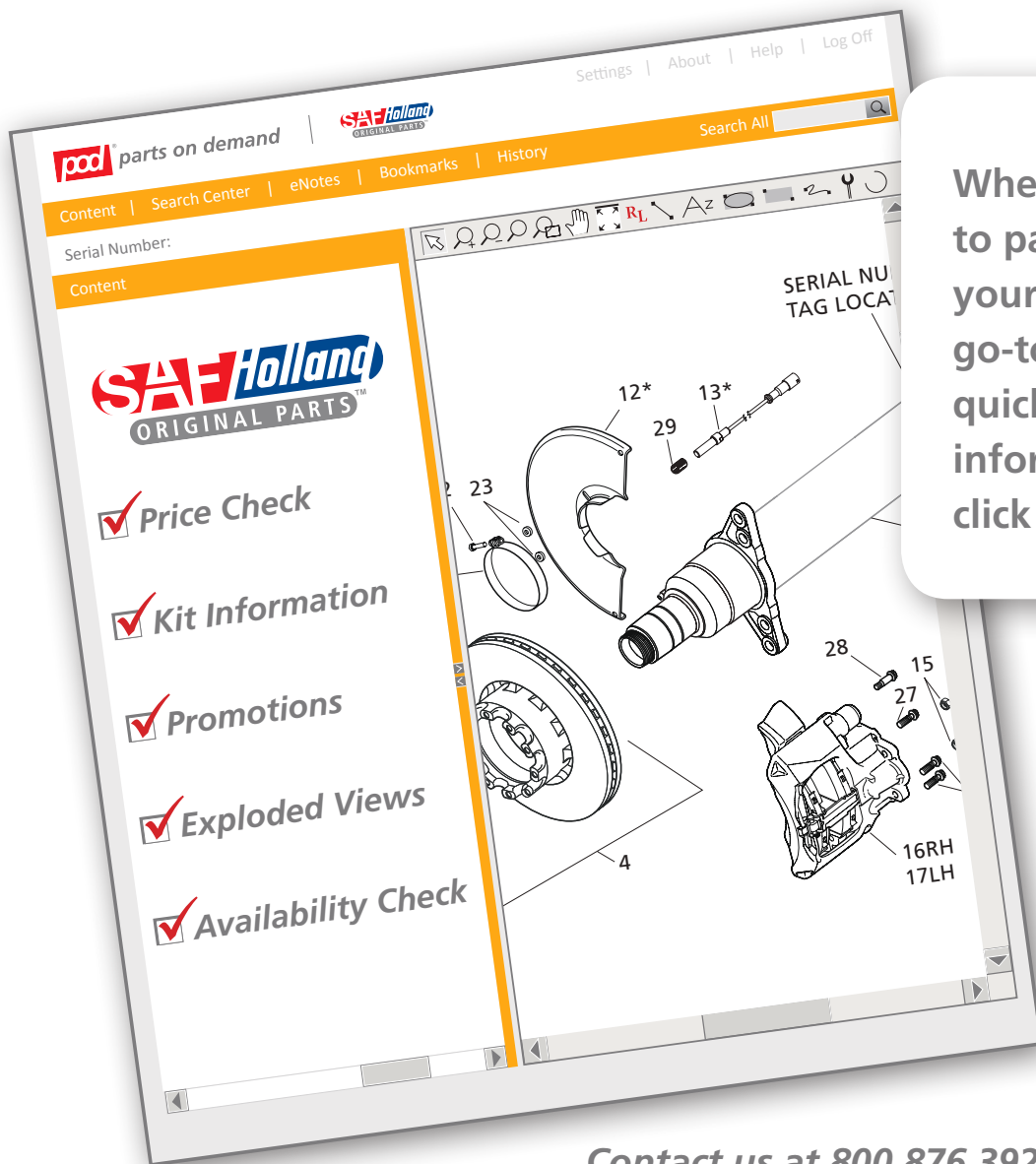
Figure 10



QUICK & EASY PARTS ONLINE 

SEARCH

Parts Knowledge at the Tip of Your Finger



When it comes to parts, become your customers' go-to source with quick and accurate information just a click away.



Contact us at 800.876.3929 to learn more

SAF DISC BRAKE WHEEL ENDS

- C88
- P89 - INTEGRAL®
- P89 - NEW (TAPERED/ PARALLEL)
- P89 - PLUS

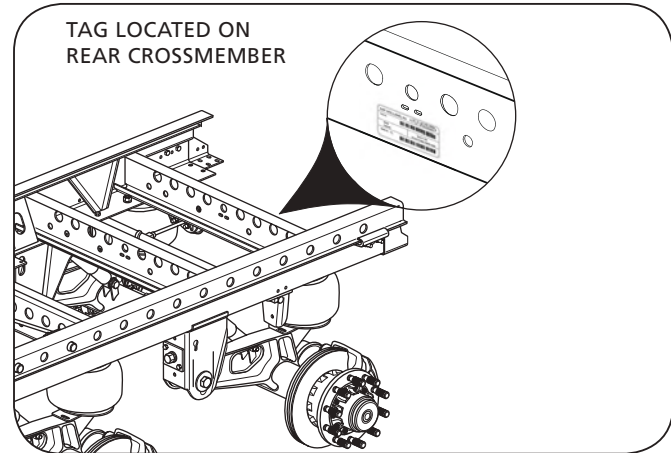


SAF *Holland*
ORIGINAL PARTS™

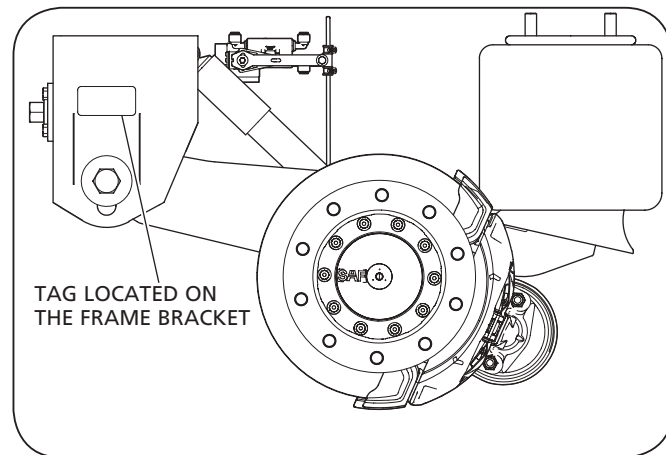
Model Identification

The disc brake axle serial tag is located near the center of the axle tube.

Sliding Frame

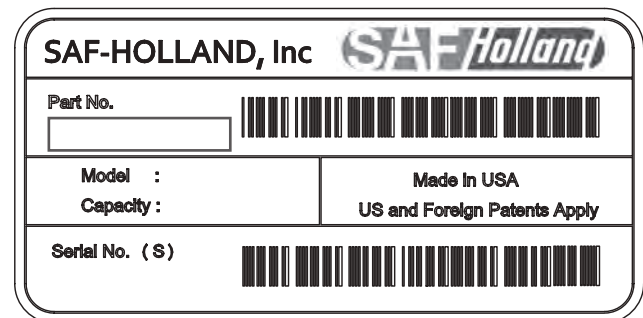


Fixed Frame



PART NUMBERS:

C88	Has Clip on Hub Cap for easy ID.
P89 Integral	XXXXXXXXXA-9XXX
P89 New (Tapered)	XXXXXXXXXX-7XXX
P89 New (Parallel)	XXXXXXXXXX-8XXX
P89 Plus	XXXXXXXXXX-95XX



C88 Head Unit Identification

Version 1

Manufactured before July 2012, the Version 1 Head Units have 12 point bolts that are slightly above the wheel mounting surface which attaches the rotor to the hub (*Figure 3*).

Version 2

Version 2 Head Units, manufactured after July 2012, have 12 point bolts that are recessed below the wheel mounting surface which attaches the rotor to the hub, (*Figure 4*).

SAF disc brake axle production with Version 2 Head Units started in June 2012. Version 2 was phased into production as required to accommodate specific North American wheel rims. Version 1 Head Unit disc brake axles have been phased out during the second half of 2012.

NOTE: For a list of approved wheel profile and valve stem combinations, see document XL-SA10070WI-en-US.

If you require additional information on this change, please contact your local SAF-HOLLAND representative, or contact SAF-HOLLAND at the appropriate phone number on the back cover of this notice.

NOTE: C88 has a clup on Hub Cap for easy identification.

Figure 3

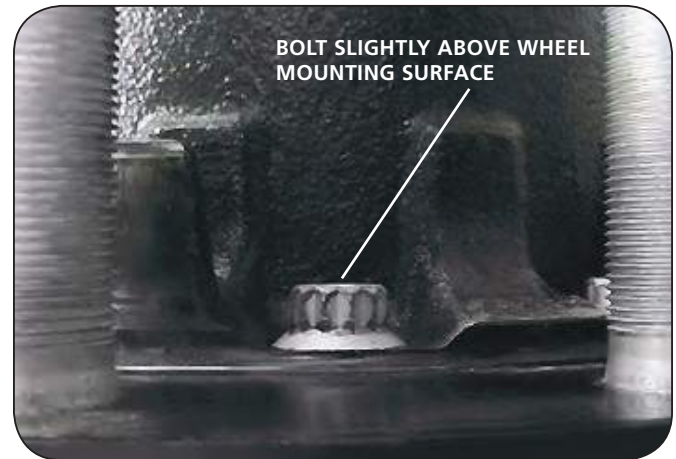
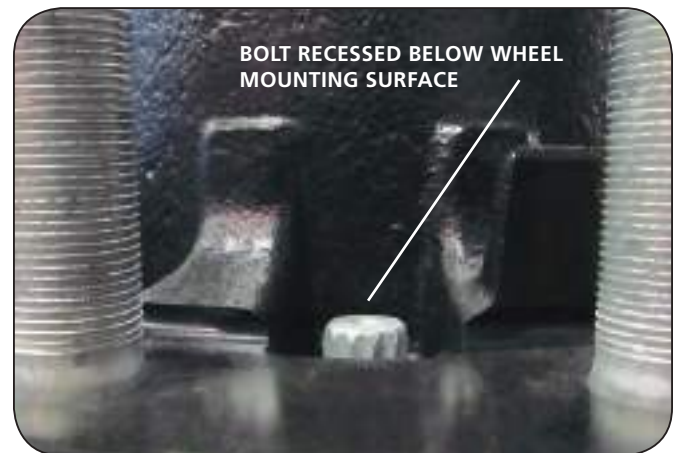


Figure 4



SAF INTEGRAL® Disc Brake Axle Systems

Product Change Notice for SAF INTEGRAL® Disc Brake Air Brake Chambers used on SAF CBX Series Suspensions

SAF-HOLLAND has made a product change to the INTEGRAL® Disc Brake Air Brake Chambers used on SAF CBX Series top mount suspensions.

Effective February 2016

Product Change:

SAF-HOLLAND announces a modification to the air brake chamber ports on all CBX suspension systems with INTEGRAL® disc brakes. Beginning July 2015, the service and parking brake ports will be configured per Table 1.

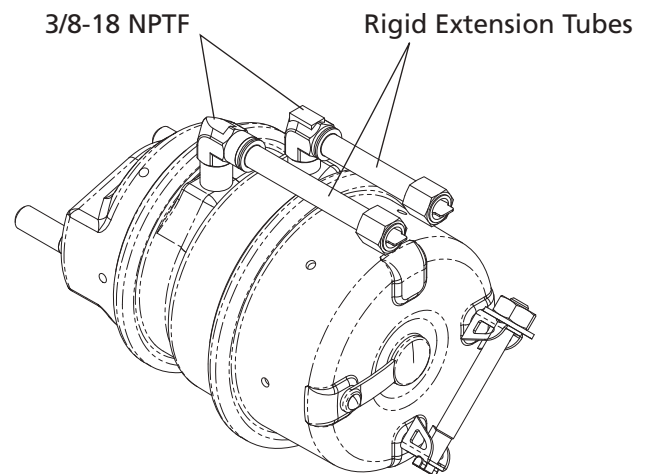
The new style air brake chambers can be installed on all existing disc brake systems. You may need to reconfigure your fittings and check brake hoses for proper length throughout the full articulation of the suspension (rebound and jounce).

This change results in the reduction of fittings and will have no effect on brake performance.

Important:

For instructions on replacing brake chambers, refer to SAF Brake Chamber Installation and Service Manual XL-SA10062IM available on the SAF-HOLLAND website www.safholland.us. All safety procedures contained in the Service Manual MUST be read and understood before starting any work on the suspension/axle.

16/24 CHAMBER
With Rigid Tubes



18/24 CHAMBER
With Threaded Ports Only

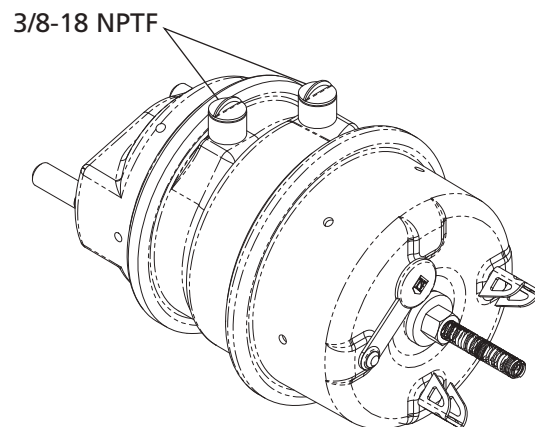


Table 1

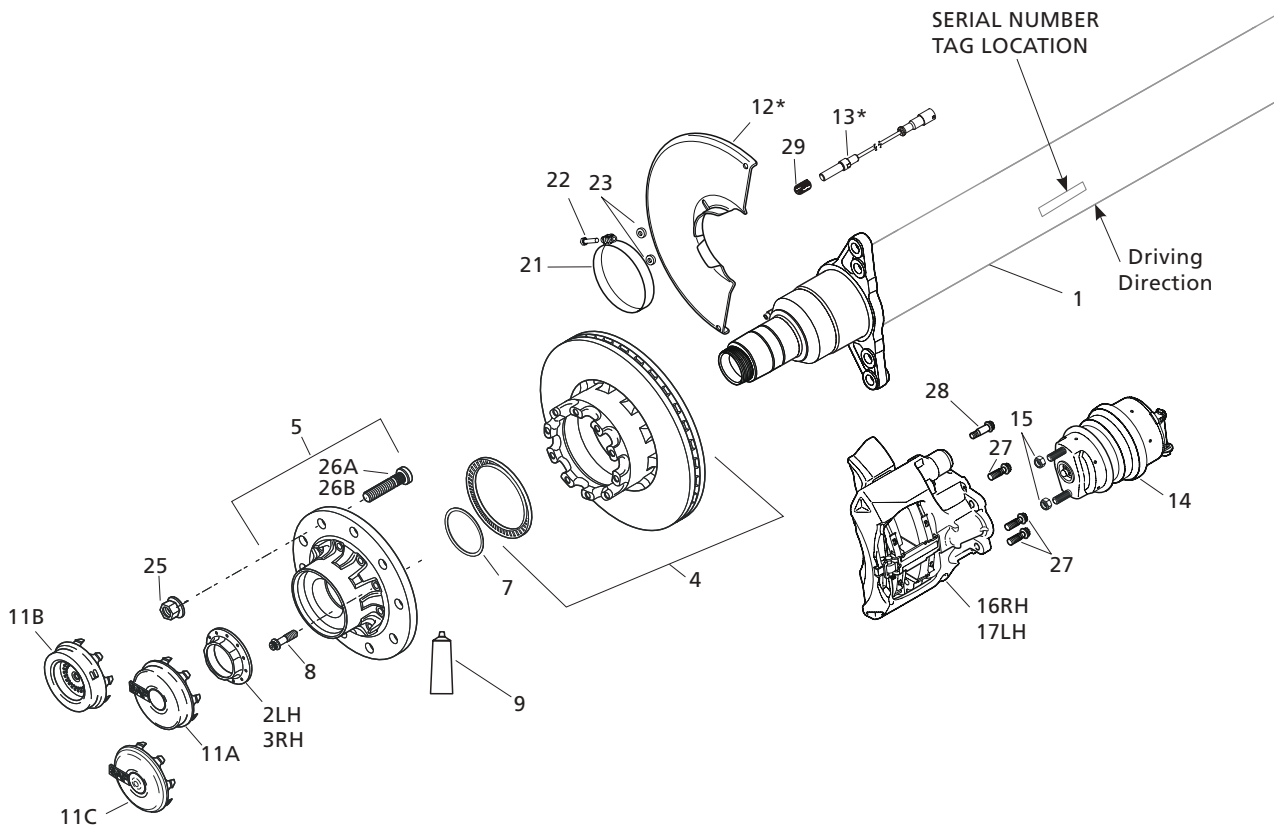
Service and parking brake ports configuration:

Model	Disc Brake Package	Chamber Size	Port Extensions	Notes	Part Number
CBX40	C88	TSE 16/24	Hard Line Extensions		04454109864
CBX40	P89	TSE 16/24	Hard Line Extensions		04454109864
CBX46	P89	TSE 18/24	Flexible Extensions Pre-Installed		2017300000220
CBX50	P89	TSE 18/24	Flexible Extensions Pre-Installed		2017300000220
CBX69	P89	TSE 18/24	Flexible Extensions Pre-Installed		2017300000220
CBX23, 25, 25/30	P89	TSE 18/24	No Extensions – Threaded Ports Only	Flexible Extension Kits available (no pre-install option)	04454115460
CBX23u, 25u, 25/30u	P89	TSE 18/24	Flexible Extensions Pre-Installed		2017300000220
CBX25y	P89	TSE 18/24	Flexible Extensions Pre-Installed		2017300000220
ULX40, ZFX40	C88	TSE 16/24	Hard Line Extensions		04454109864
ULX40, ZFX40	P89	TSE 16/24	Hard Line Extensions		04454109864

Kit for flexible extensions: 48100545

C88 Integral Disc Brake - Exploded View

Compact Bearing Design



NOTE: For detailed Brake Caliper information, see page 4-10

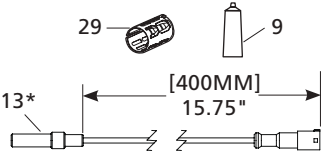
For C88 Integral disc brake rebuild procedures, see SAF publication XL-SA10059-en-US at www.safholland.us.

ITEM	DESCRIPTION	PART NUMBER	QTY. / AXLE	WEIGHT LBS [KG]
1	Beam & Axle Assembly	Contact SAF-HOLLAND	1	VARIES
2	Axle Nut - LH	01011008500Z	1	2.10 [0.95]
3	Axle Nut - RH	01011008600Z	1	2.10 [0.95]
4*	Integral Rotor w/ABS Tone Ring – 22.5"	03079001501	2	67.70 [30.71]
5	Hub Unit w/ Long Studs Version 1	2073190000150	2	23.10 [10.48]
	Hub Unit w/ Long Studs Version 2	2073190000170		23.70 [10.75]
	Hub Unit w/ Short Studs Version 1	2073190000140		23.10 [10.48]
	Hub Unit w/ Short Studs Version 2	2073190000160		23.70 [10.75]
7	O-Ring	04315007500	2	0.08 [0.04]
8	Rotor Attachment Bolts – 12Pt. head M14 x 1.5 x 65	04375100911	20	0.20 [0.09]
9	Axle Stub Grease	05387001503	2	0.01 [0.00]
11A	Hub Cap	03304010201Z	2	0.22 [0.10]
11B	Hub Cap Hub Odometer	03304010301Z		2.00 [0.91]
11C	Hub Cap W/Seal PSI	03304010900Z		0.23 [0.10]
12*	Dust Shield	2032100000190	2	3.30 [1.50]
13*	Sensor, ABS	04029107100	2	0.05 [0.02]
14	Brake Chamber	See Page 4-4	2	N/A
15	Brake Chamber Nut – .63" -11 GR C	04247405280Z	4	0.09 [0.04]
16*	Brake Caliper - RH - 22.5"	03080005901	1	82.50 [37.42]
17*	Brake Caliper - LH - 22.5"	03080006001	1	82.50 [37.42]
21	Clamp, Dust Shield	04194202301	2	0.25 [0.11]
22	Bolt, Hex, Dust Shield - M8 x 1.25 x 40 Class 8.8	04343107588	2	0.05 [0.02]
23	Grommet	2024100000180	4	0.01 [0.00]
25	Wheel Nut - M22 x 1.5	04247301201	20	0.30 [0.14]
26A	Wheel Stud, Long - M22 x 1.50 x 112	2072100000030	20	0.84 [0.38]
26B	Wheel Stud, Short - M22 x 1.50 x 90	2072100000020		0.66 [0.30]
27	Caliper Flange Bolt - 12 pt. M18 x 1.5 x 55mm	04375100610	6	0.40 [0.18]
28	Caliper Shoulder Bolt - 12 pt. M18 x 1.5 x 55mm	04375100810	2	0.40 [0.18]
29	Clamping Bushing	04029107200	2	0.01 [0.00]

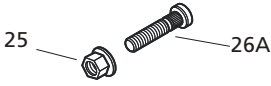
* Not sold individually, must be purchased in kit. See kit repair section.

C88 Integral Disc Brake Repair Kits


03029024200
ABS Kit
Qty. 1 Per Wheel End Wt. 3.30 lbs.



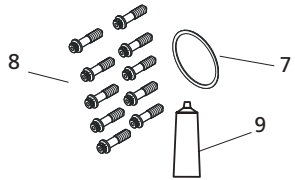
207420000190
Wheel Bolt
Long Stud (Aluminum Rims)
Qty. 10 Kits Per Wheel End Wt. 1.20 lbs.



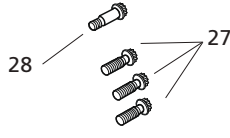
207420000180
Wheel Bolt
Short Stud (Steel Rims)
Qty. 10 Kits Per Wheel End Wt. 1.40 lbs



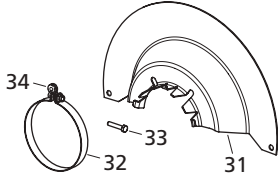
03434366300Z
Hub Repair Kit
Qty. 1 Per Wheel End Wt. 4.20 lbs



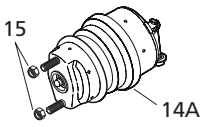
03434366000Z
Brake Caliper Bolts
Qty. 1 Per Wheel End Wt. 4.20 lbs.



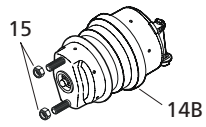
1022300000040
Dust Shield Kit
Qty. 1 Per Wheel End Wt. 4.40 lbs



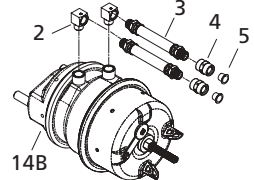
2017200000200
16/24 Chamber w/o Extension Tubes
Qty. 1 Per Wheel End Wt. 16.19 lbs



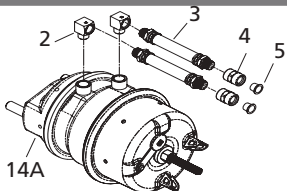
2017200000210
18/24 Chamber w/o Extension Tubes
Qty. 1Per Wheel End Wt. 16.19 lbs



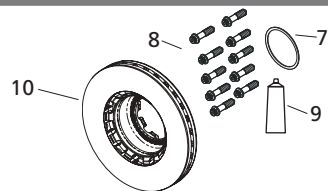
2017300000220
18/24 Chamber w/ Flex Extension Tubes
Qty. 1Per Wheel End Wt. 17.00 lbs



2017300000230
16/24 Chamber w/ Extension Tubes
Qty. 1Per Wheel End Wt. 17.00 lbs

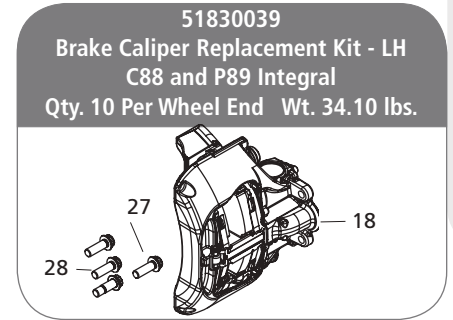
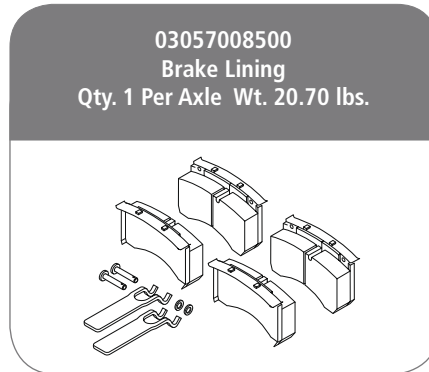
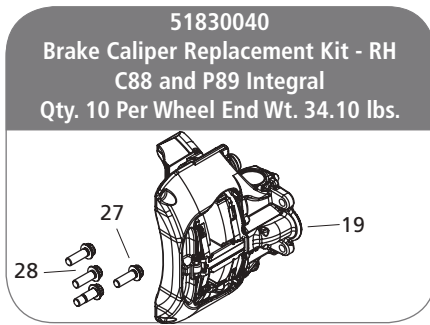


51830037
Brake Rotor Replacement - C88
Qty. 1 Kit per Wheel End Wt. 34.9 lbs.



03434381600
Adjuster Cap & Shear Adaptor
Qty. 1 Per Wheel End Wt. 0.90 lbs.



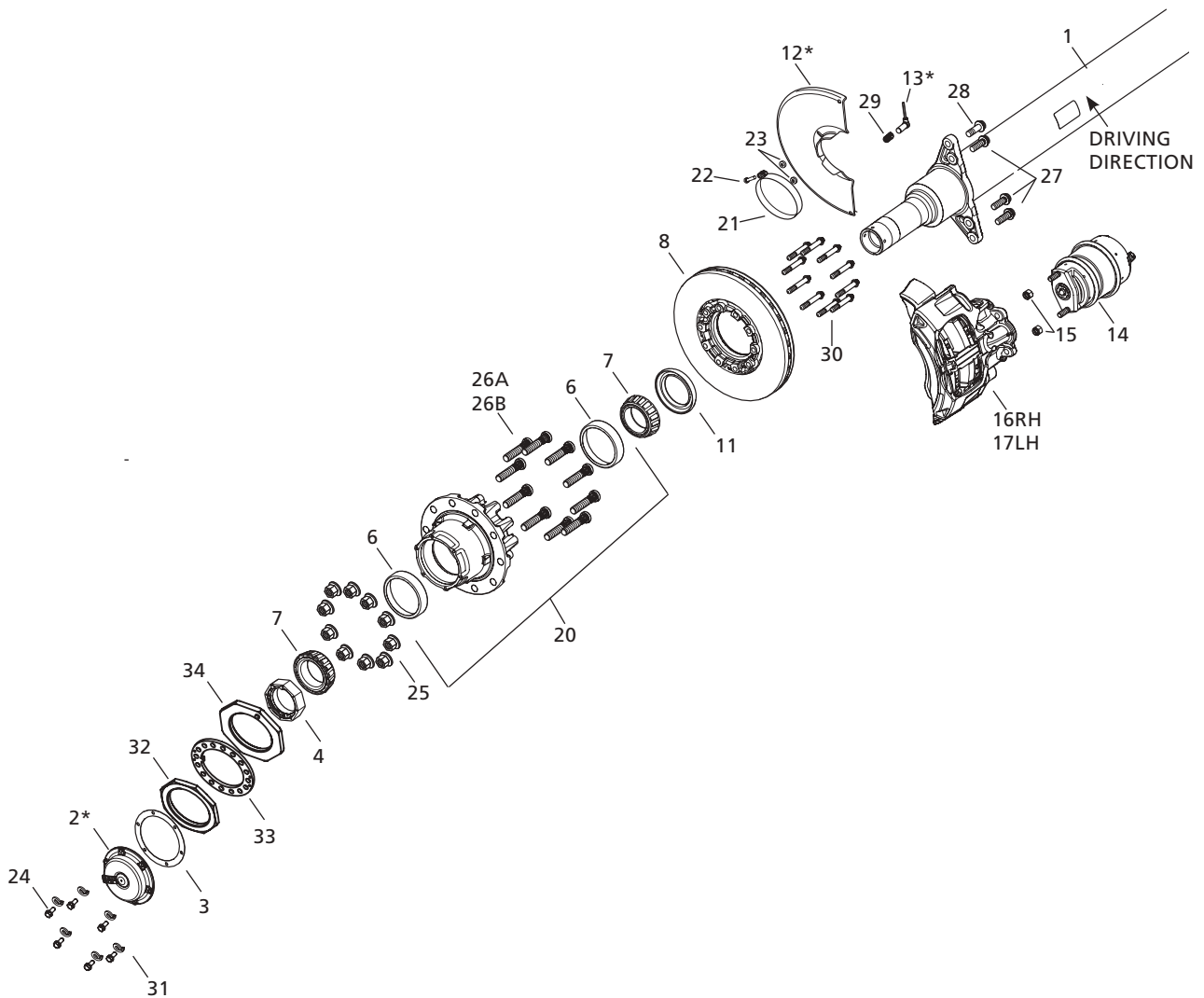


* NOTE: IMAGE FOR REFERENCE ONLY

ITEM	DESCRIPTION	PART NUMBER	QTY.	WEIGHT LBS [KG]
2	Elbow 90° 0.38"	93800355	2	0.18 [0.08]
3	Air Hose Assembly 0.38"	90038579	2	N/A
4	Pipe Coupling, 0.38" Female	93800356	2	0.12 [0.05]
5	Plastic Plug	2047100000210	2	N/A
7	O-Ring	04315007500Z	1	0.08 [0.04]
8	Bolt, 12 pt. Flange HD, M14 x 1.5 x 65	04375100911Z	10	0.22 [0.10]
9	Axle Stub Grease	05387001503Z	1	0.01 [0.005]
10	Brake, Disc S/Z Series 22.5" ET.0	03079001501	1	30.70 [13.93]
13*	Sensor, ABS	04029107100Z	1	0.05 [0.02]
14A	Brake Chamber - 16"/24"	04454115860	1	16.00 [7.26]
14B	Brake Chamber - 18"/24"	04454115760	1	16.00 [7.26]
15	Brake Chamber Nut - .63" -11 GR C	04247405280Z	2	0.09 [0.04]
18	Brake Caliper SK7	03080006001	1	37.00 [16.78]
19	Brake Caliper SK7	03080005901	1	38.10 [17.28]
25	Wheel Nut, M22 x 1.5	04247301201	10	0.30 [0.14]
26A	Wheel Stud - Long, M22 x 1.5 x 112	2072100000030	1	0.90 [0.41]
26B	Wheel Stud - Short, M22 x 1.5 x 90	2072100000020	1	0.84 [0.38]
27	Caliper Flange Bolt, 12 pt. M18 x 1.5 x 55mm	04375100610Z	3	0.40 [0.18]
28	Caliper Shoulder Bolt, 12 pt. M18 x 1.5 x 55mm	04375100810Z	1	0.40 [0.18]
29	Clamping Bushing	04029107200Z	1	0.01 [0.005]
31	Shield, Dust-N.A.Hub	2032100000190	1	4.00 [1.81]
32	Band, Clamp	04194202301	1	0.12 [0.05]
33	Bolt, Hex, M8X1.25X40 Class 8.8	04343107588	1	0.02 [0.01]
34	Grommet, Rubber	2024100000180	1	0.01 [0.005]

P89 INTEGRAL® Disc Brake Exploded View

Parallel Spindle Design



NOTE: For detailed Brake Caliper information, see page 4-10

For P89 Integral disc brake rebuild procedures, see SAF publication XL-SA10059-en-US at www.safholland.us.

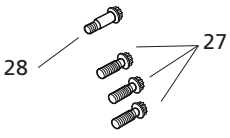


ITEM	DESCRIPTION	PART NUMBER	QTY. / AXLE	WEIGHT LBS [KG] PER ASSEMBLY
1	Beam & Axle Assembly	Contact SAF-HOLLAND	1	VARIES
2*	Hub Cap	204710000070	2	0.50 [0.23]
3	Gasket, Hub Cap	01093002300Z	2	0.00 [0.00]
4	Nut, Axle Pro-Torq	01011009400Z	2	1.00 [0.45]
6	Bearing Cup	01231000900Z	4	1.70 [0.77]
7	Bearing - Cone	04200102300Z	4	3.75 [1.70]
8*	Integral Rotor w/ABS Tone Ring – 22.5	2019200000010	2	69.10 [31.34]
11	Seal Hub	01092003100Z	2	1.00 [0.45]
12*	Dust Shield	2032100000190	2	3.30 [1.50]
13*	Sensor, ABS	04029107500Z	2	0.05 [0.02]
14	Brake Chamber	See Page 4-4	2	N/A
15	Brake chamber nut – .63" -11 GR C	04247405280Z	4	0.09 [0.04]
16*	Brake Caliper - RH - 22.5"	03080005901	1	82.50 [37.42]
17*	Brake Caliper - LH - 22.5"	03080006001	1	82.50 [37.42]
20	Hub w/ Bearing Cups - Short Studs - M22 x 1.5 x 90	2073190000090	2	79.50 [36.06]
	Hub w/ Bearing Cups - Long Studs - M22 x 1.5 x 112	2073190000100		79.50 [36.06]
21	Clamp, Dust Shield	04194202301	2	0.25 [0.11]
22	Bolt, Hex, Dust shield – M8 x 1.25 x 40 Class 8.8	04343107588	2	0.05 [0.02]
23	Grommet	2024100000180	4	0.01 [0.00]
24	Bolt, Hub Cap - .31"-18 x .75",GR5	04343207800Z	12	0.03 [0.01]
25	Wheel Nut - M22 x 1.5	04247301201	20	0.30 [0.14]
26A	Wheel Stud - Long - M22 x 1.5 x 112	2072100000030	20	0.84 [0.38]
26B	Wheel Stud - Short - M22 x 1.5 x 90	2072100000020		0.66 [0.30]
27	Caliper Flange Bolt – 12 pt. M18 x 1.5 x 55mm	04375100610	6	0.40 [0.18]
28	Caliper Shoulder Bolt - 12 pt. M18 x 1.5 x 55mm	04375100810	2	0.40 [0.18]
29	Clamping Bushing	04029101300Z	2	0.01 [0.00]
30	Rotor Attachment Bolts – 12pt. Head M14 x 1.5 x 90	04375101210Z	20	0.30 [0.14]
31	Washer, Lock 0.31"	04141001500Z	12	0.04 [0.02]
32	Nut, Axle-Outer-Parallel	01011009700Z	2	0.70 [0.32]
33	Washer, Axle Lock-Parallel	01345004500Z	2	0.50 [0.23]
34	Nut, Axle, Inner-Parallel	0101109600Z	2	1.10 [0.50]

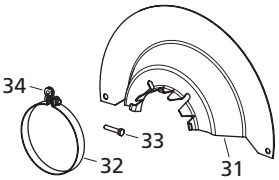
* Items not sold individually. See kit repair section.

P89 Integral Disc Brake Repair Kits

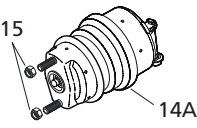
0343436600Z
Brake Caliper Bolts
Qty. 1 Per Wheel End Wt. 4.20 lbs.



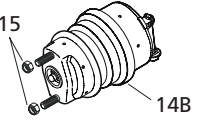
102230000040
Dust Shield Kit, Disc Brake
Qty. 1 Per Wheel End Wt. 4.40 lbs



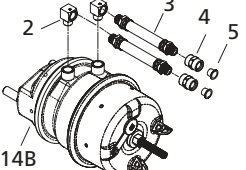
2017200000200
16/24 Chamber w/o Extension Tubes
Qty. 1 Per Wheel End Wt. 16.19 lbs



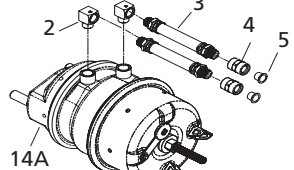
2017200000210
18/24 Chamber w/o Extension Tubes
Qty. 1Per Wheel End Wt. 16.19 lbs



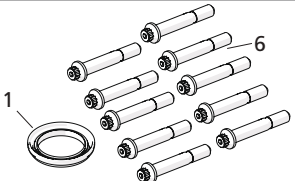
2017300000220
18/24 Chamber w/ Flex Extension Tubes
Qty. 1Per Wheel End Wt. 17.00 lbs



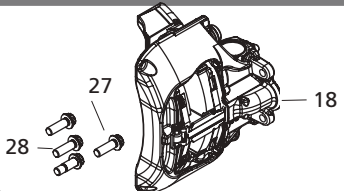
2017300000230
16/24 Chamber w/ Extension Tubes
Qty. 1Per Wheel End Wt. 17.00 lbs



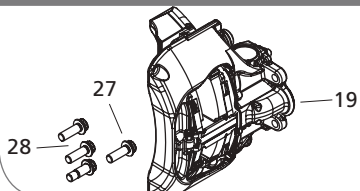
51830038
Hub Repair Kit
Qty. 1 Kit per Wheel End Wt. 4.0lbs.



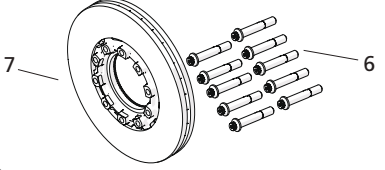
51830039
Brake Caliper Replacement Kit - LH
Qty. 10 Per Wheel End Wt. 34.10 lbs.



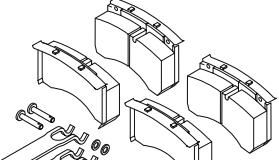
51830040
Brake Caliper Replacement Kit - RH
Qty. 10 Per Wheel End Wt. 34.10 lbs.



51830036
Brake Rotor Replacement
Qty. 1 Kit per Wheel End Wt. 72.1 lbs.



03057008500
Brake Lining
Qty. 1 Per Axle Wt. 20.70 lbs.



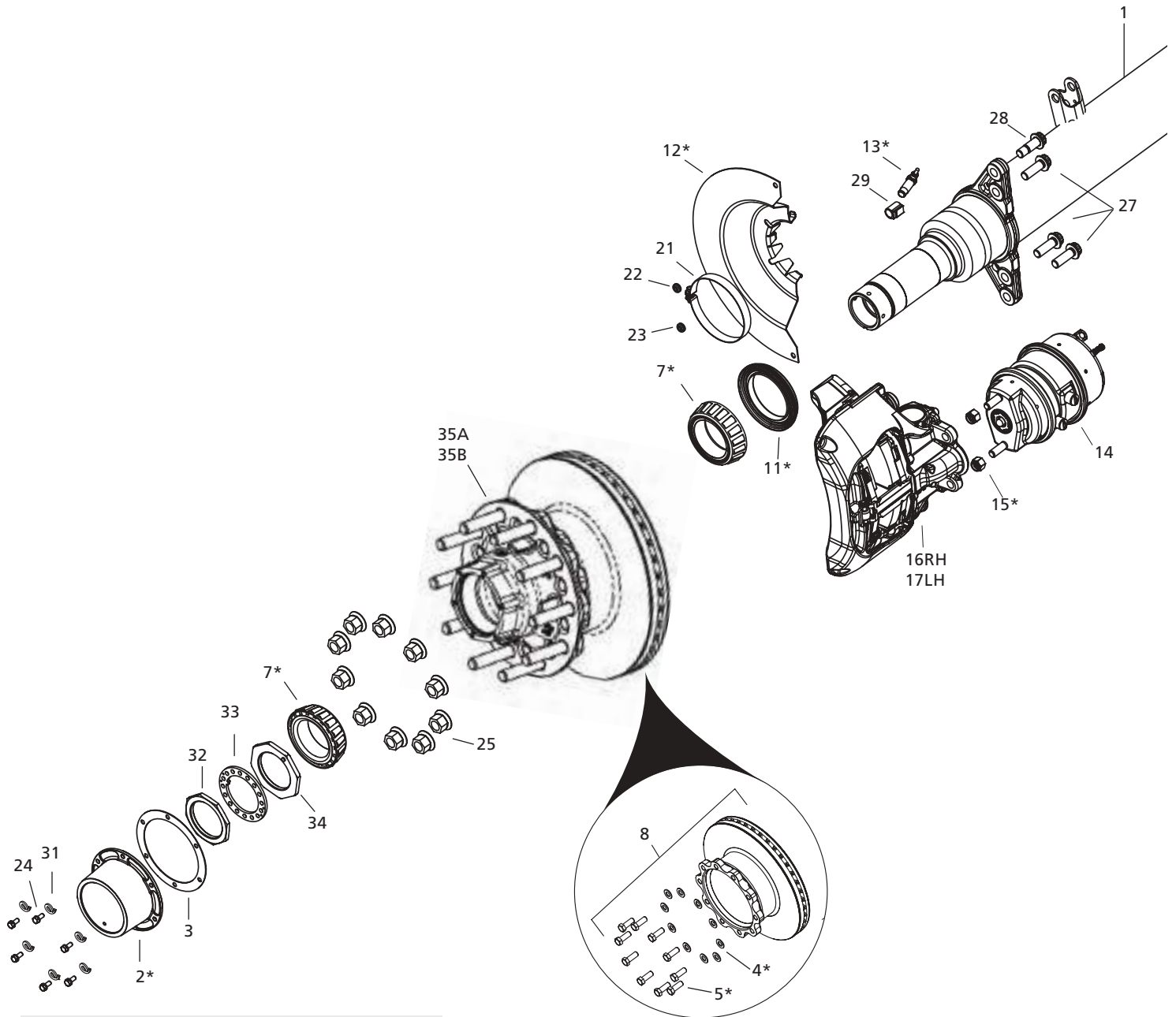
03434381600
Adjuster Cap & Shear Adaptor -
Qty. 1 Per Wheel End Wt. 0.90 lbs.



* NOTE: IMAGE FOR REFERENCE ONLY

ITEM	DESCRIPTION	PART NUMBER	QTY.	WEIGHT LBS [KG]
1	Seal,Oil, Axle Mount - Parallel	01092003100Z	1	1.00 [
2	Elbox 90° 0.38"	93800355	2	0.18 [0.08]
3	Air Hose Assembly 0.38"	90038579	2	N/A
4	Pipe Coupling, 0.38" Female	93800356	2	0.12 [0.05]
5	Plastic Plug	2047100000210	2	N/A
6	Bolt, 12 PT, m14 x 1.5 x 90	04375101210Z	10	0.30 [
7	Disc Brake Rotor Assembly	2019200000010	1	69.10 [
14A	Brake Chamber - 16"/24"	04454115860	1	16.00 [7.26]
14B	Brake Chamber - 18"/24"	04454115760	1	16.00 [7.26]
15	Brake Chamber Nut – .63" -11 GR C	04247405280Z	2	0.09 [0.04]
18	Brake Caliper SK7	03080006001	1	37.00 [
19	Brake Caliper SK7	03080005901	1	38.10 [
27	Caliper Flange Bolt, 12 pt. M18 x 1.5 x 55mm	04375100610Z	3	0.40 [0.18]
28	Caliper Shoulder Bolt, 12 pt. M18 x 1.5 x 55mm	04375100810Z	1	0.40 [0.18]
31	Shield, Dust-N.A.Hub	2032100000190	1	4.00 [1.81]
32	Band, Clamp	04194202301	1	0.12 [0.05]
33	Bolt, Hex, M8X1.25X40 Class 8.8	04343107588	1	0.02 [0.01]
34	Grommet, Rubber	2024100000180	1	0.01 [0.005]

P89 New Parallel Disc Brake Exploded View



NOTE: For detailed Brake Caliper information, see page 4-10

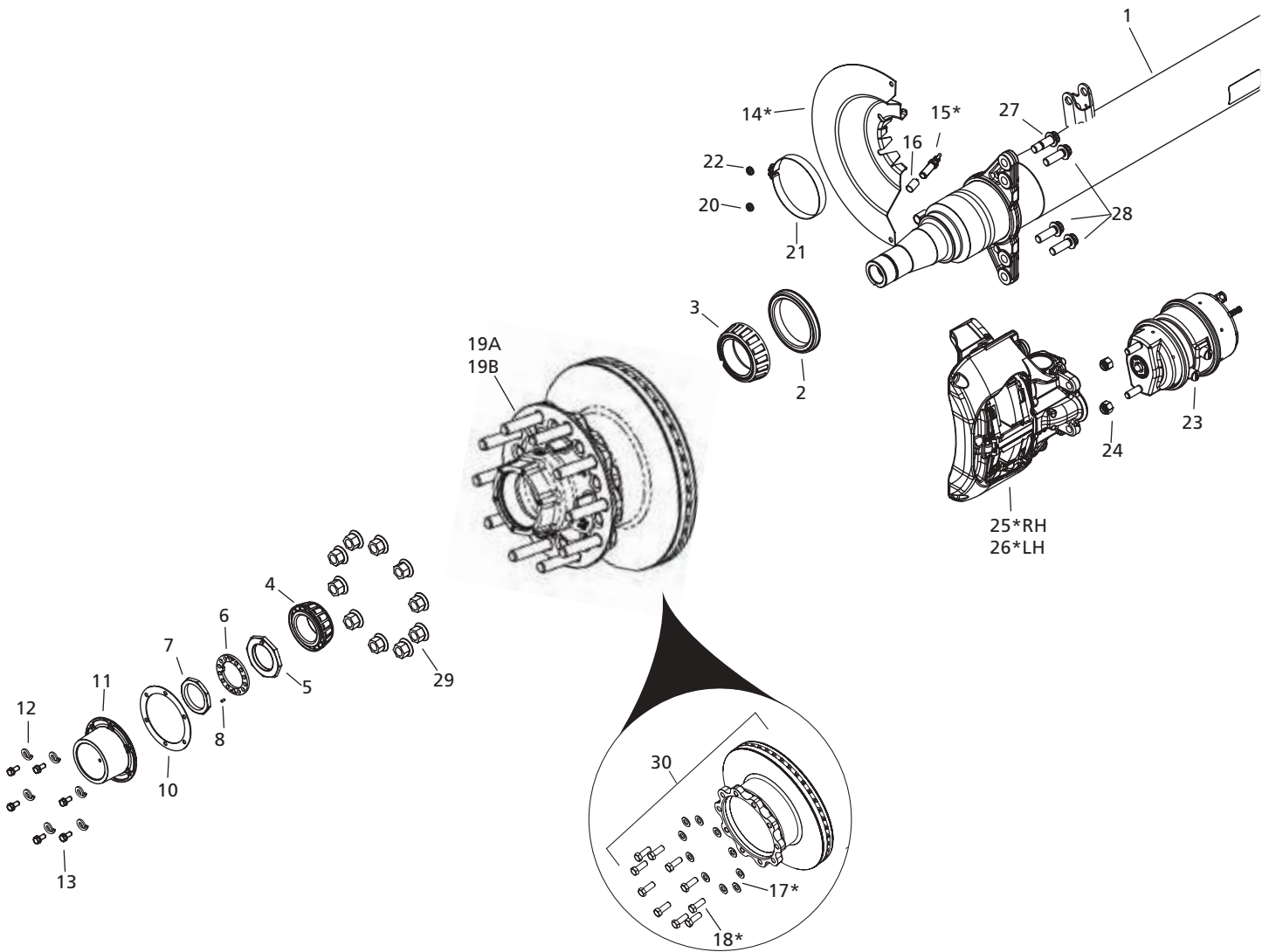
For P89 Integral disc brake rebuild procedures, see SAF publication XL-SA10059-en-US at www.safholland.us.



ITEM	DESCRIPTION	PART NUMBER	QTY. / AXLE	WEIGHT LBS [KG] PER ASSEMBLY
1	Beam & Axle Assembly	Contact SAF-HOLLAND	1	VARIES
2*	Hub Cap	201304011700Z	2	0.50 [0.23]
3	Gasket, Hub Cap	01093002300Z	2	0.00 [0.00]
4*	Washer, Flat 0.63" Plated	2082100000180	20	0.02 [0.01]
5*	Bolt, Hex Head 0.63 - 11 UNC x 1.75"	2015100000100	20	0.22 [0.10]
6*	Bearing Cup	01231000900Z	4	1.70 [0.77]
7*	Bearing - Cone	04200102300Z	4	3.75 [1.70]
8	Rotor Replacement Kit	51830049	2	78.50 [35.61]
11*	Seal Hub	01092003100Z	2	1.00 [0.45]
12*	Dust Shield	203210000190	2	3.30 [1.50]
13*	Sensor, ABS	04029107500Z	2	0.05 [0.02]
14	Brake Chamber - See Page 4-4	04454115760	2	16.00 [7.26]
15*	Brake Chamber Nut - .63" -11 GR C	N/A	4	N/A
16*	Brake Caliper - RH - 22.5"	03080008800	1	82.50 [37.42]
17*	Brake Caliper - LH - 22.5"	03080008700	1	82.50 [37.42]
21	Clamp, Dust Shield	04194202301	2	0.25 [0.11]
22	Bolt, Hex, Dust shield - M8 x 1.25 x 40 Class 8.8	04343107588	2	0.05 [0.02]
23	Grommet	2024100000180	4	0.01 [0.00]
24	Bolt, Hub Cap - .31"-18 x .75",GR5	04343207800Z	12	0.03 [0.01]
25	Wheel Nut - M22 x 1.5	04247301201	20	0.30 [0.14]
27	Caliper Flange Bolt - 12 pt. M18 x 1.5 x 55mm	04375100610	6	0.40 [0.18]
28	Caliper Shoulder Bolt - 12 pt. M18 x 1.5 x 55mm	04375100810	2	0.40 [0.18]
29	Clamping Bushing	04029101300Z	2	0.01 [0.00]
30A	Stud, Wheel - Short Stud	2072100000081	20	0.69 [0.31]
30B	Stud Wheel - Long Stud	2072100000090		
31	Washer, Lock 0.31"	04141001500Z	12	0.04 [0.02]
32	Nut, Axle-Outer-Parallel	01011009700Z	2	0.70 [0.32]
33	Washer, Axle Lock-Parallel	01345004500Z	2	0.50 [0.23]
34	Nut, Axle, Inner-Parallel	0101109600Z	2	1.10 [0.50]
35A	Parallel Hub Assembly - Short Stud	2073300000710	2	57.50 [26.08]
35B	Parallel Hub Assembly - Long Stud	2073300000720		57.90 [26.26]

* Items not sold individually. See kit repair section.

P89 New Tapered Disc Brake Exploded View



NOTE: For detailed Brake Caliper information, see page 4-10

For P89 Integral disc brake rebuild procedures, see SAF publication XL-SA10059-en-US at www.safholland.us.

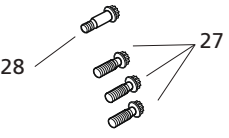


ITEM	DESCRIPTION	PART NUMBER	QTY. / AXLE	WEIGHT LBS [KG] PER ASSEMBLY
1	Beam & Axle Assembly	Contact SAF-HOLLAND	1	VARIES
2	Seal,Oil,Axle Mount-Taper	01092002900Z	2	0.50 [0.23]
3	Bearing Cone,Inner-Taper	2048200000040	2	0.00 [0.00]
4	Bearing Cone,Outer-Taper	2048200000050	2	1.00 [0.45]
5	Nut,Axle,Inner-Taper	01011009200Z	2	69.50 [31.52]
6	Washer,Axle Lock-Taper	01345004300Z	2	1.70 [0.77]
7	Nut,Axle,Outer-Taper	01011009300Z	2	3.75 [1.70]
8	Set Screw,8-32 x.375 w/Thread Locker	47044063	2	69.10 [31.34]
10	Gasket,Hub Cap-Taper	01093002200Z	2	1.00 [0.45]
11	Hub Cap,Grease,Aluminum	01304011800Z	2	3.30 [1.50]
12	Washer,Lock 0.31"	04141001500Z	12	0.05 [0.02]
13	Bolt,Hub Cap,.313-18X.75,Gr5	04343207800Z	12	16.00 [7.26]
14*	Dust Shield	203210000190	2	3.30 [1.50]
15*	Sensor,ABS	04029107500Z	2	0.05 [0.02]
16	Clamping Bushing	04029101300Z	2	0.01 [0.00]
17*	Washer, Flat 0.63" Plated	2082100000180	20	0.02 [0.01]
18*	Bolt, Hex Head 0.63 - 11 UNC x 1.75"	2015100000100	20	0.22 [0.10]
19A	Taper Hub Assembly - Short Stud	2073300000730	2	56.70 [25.72]
19B	Taper Hub Assembly - Long Stud	2073300000740		58.10 [26.35]
20	Grommet	2024100000180	4	0.01 [0.00]
21	Clamp, Dust Shield	04194202301	2	0.25 [0.11]
22	Bolt, Hex, Dust shield – M8 x 1.25 x 40 Class 8.8	04343107588	2	0.05 [0.02]
23	Brake Chamber - See Page 4-4	N/A	2	N/A
24	Nut,Hex Lock,5/8-11 Gr C	04247405280Z	4	82.50 [37.42]
25*	Brake Caliper - LH 22.5"	03080008700	1	0.25 [0.11]
26*	Brake Caliper - RH 22.5"	03080008800	1	0.05 [0.02]
27	Shoulder Bolt,12Pt Flange Hd,M18x1.5x55m	4375100810	2	0.01 [0.00]
28	Bolt,12Pt Flange Hd,M18x1.5x55mm,Gr 10.9	4375100610	6	0.03 [0.01]
29	Wheel Nut - M22 x 1.5	04247301201	20	0.30 [0.14]
30	Rotor Replacement Kit	51830049	2	78.50 [35.61]

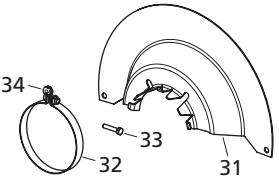
* Items not sold individually. See kit repair section.

P89 New Parallel & Tapered Repair Kits

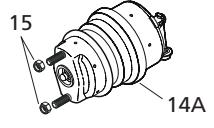
03434366000Z
Brake Caliper Bolts
Qty. 1 Per Wheel End Wt. 4.20 lbs.



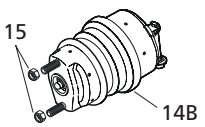
1022300000040
Dust Shield Kit, Disc Brake
Qty. 1 Per Wheel End Wt. 4.40 lbs



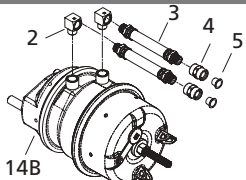
2017200000200
16/24 Chamber w/o Extension Tubes
Qty. 1 Per Wheel End Wt. 16.19 lbs



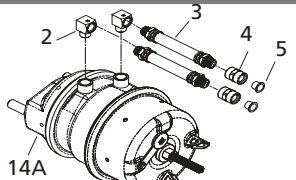
2017200000210
18/24 Chamber w/o Extension Tubes
Qty. 1 Per Wheel End Wt. 16.19 lbs



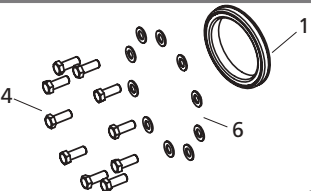
2017300000220
18/24 Chamber w/ Flex Extension Tubes
Qty. 1 Per Wheel End Wt. 17.00 lbs



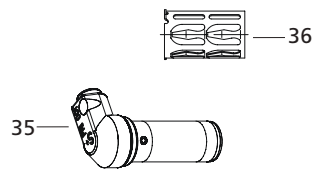
2017300000230
16/24 Chamber w/ Extension Tubes
Qty. 1 Per Wheel End Wt. 17.00 lbs



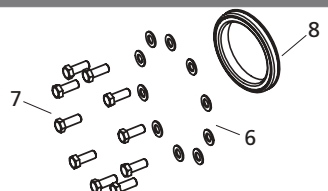
518300051
Hub Repair Kit
P89 New Parallel
Qty. 1 Per Wheel End Wt. 0.92 lbs




1022300000020
ABS Sensor Kit
Qty. 1 Per Wheel End Wt. 0.16 lbs.



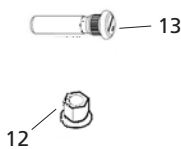
518300050
Hub Repair Kit
P89 New Tapered
Qty. 1 Per Wheel End Wt. 0.92 lbs



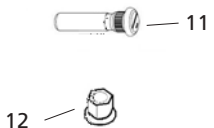
51830046
Wheel Bolt Kit - New P89 Short Parallel
Qty. 1 Per Wheel End Wt. 0.82 lbs.



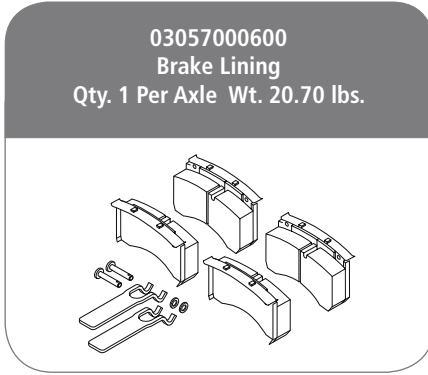
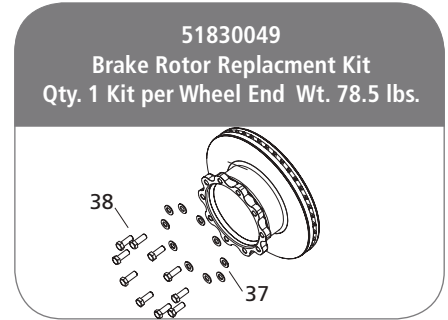
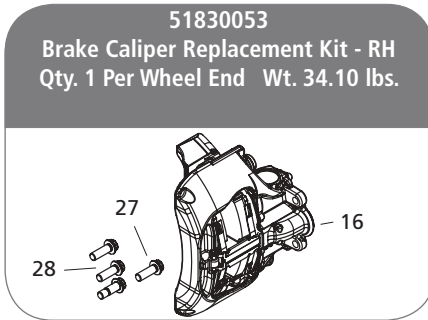
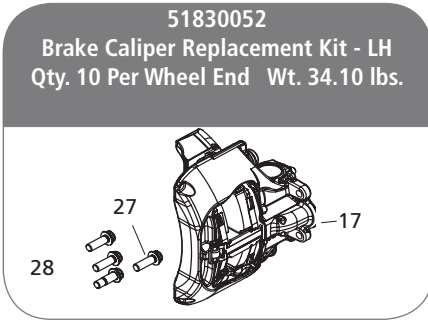
51830047
Wheel Bolt Kit - New P89 Long Stud
Qty. 10 Per Wheel End Wt. 1.04 lbs.



51830048
Wheel Bolt Kit - New P89 Short Tapered
Qty. 1 Per Wheel End Wt. 0.89 lbs.



* NOTE: IMAGE FOR REFERENCE ONLY

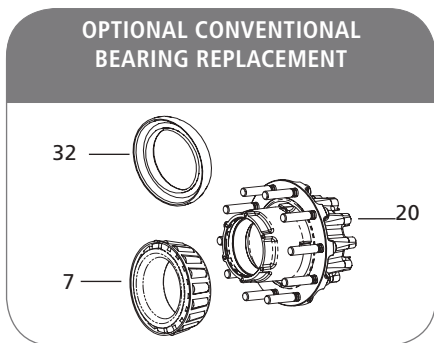
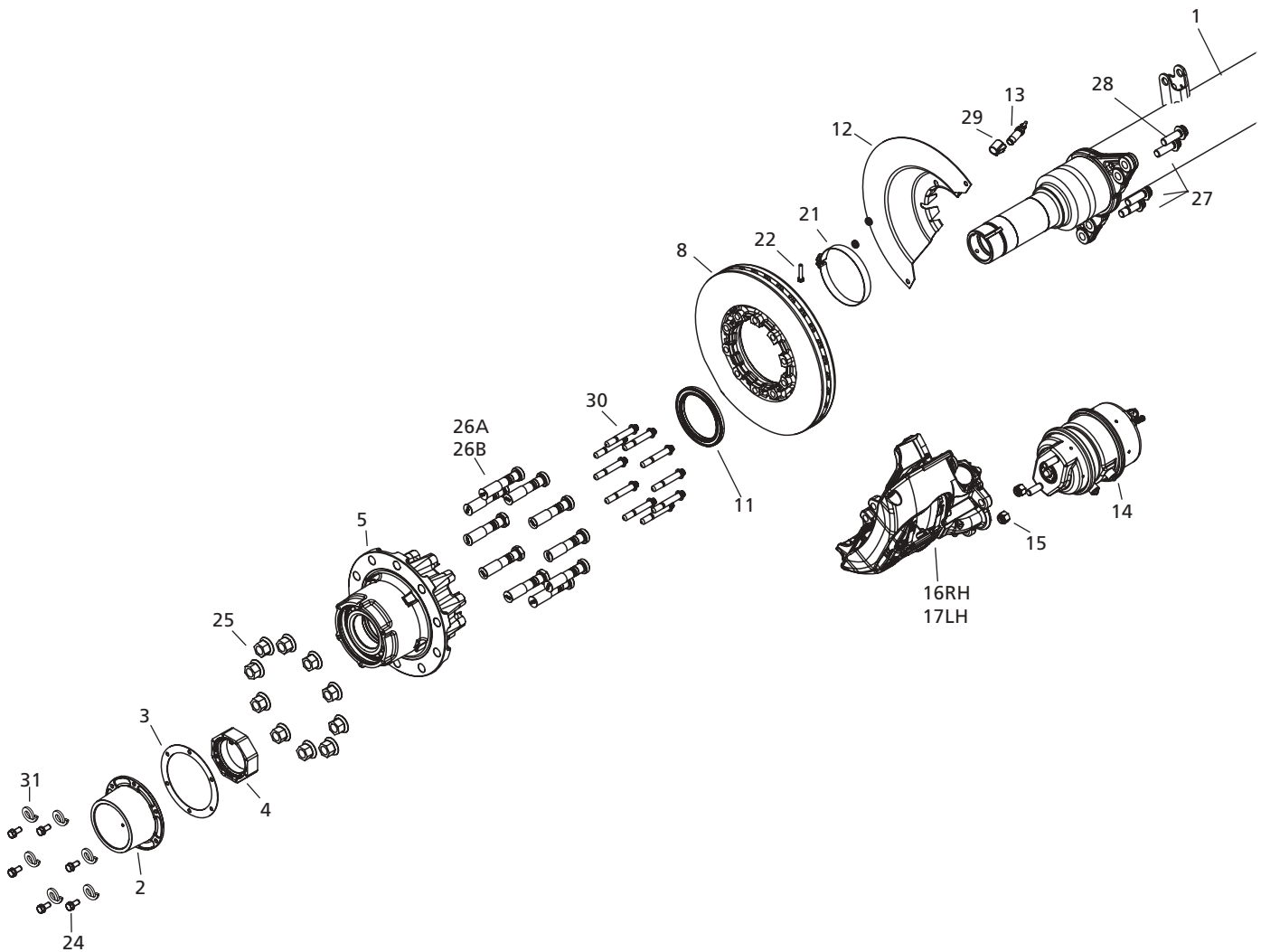


* NOTE: IMAGE FOR REFERENCE ONLY

ITEM	DESCRIPTION	PART NUMBER	QTY.	WEIGHT LBS [KG]
1	Seal, Oil, Axle Mount - Parallel	01092003100Z	1	1.00 [
2	Elbox 90° 0.38"	93800355	2	0.18 [0.08]
3	Air Hose Assembly 0.38"	90038579	2	N/A
4	Pipe Coupling, 0.38" Female	93800356	2	0.12 [0.05]
5	Plastic Plug	2047100000210	2	N/A
7	Bolt, Hex Head 0.63 - 11 UNC x 1.75"	2015100000100	10	0.22 [
8	Seal, Oil, Axle Mount - Taper	01092002900Z	1	0.68 [
6	Washer, Flat 0.63" Plated	2082100000180	10	0.02 [
9	Axle Stub Grease	05387001503Z	1	0.01 [0.005]
11	Dust Shield	2032100000100	1	3.30 [1.50]
12*	Dust Shield	2032100000100	1	3.30 [1.50]
13*	Sensor, ABS	04029107100Z	1	0.05 [0.02]
14A	Brake Chamber - 16"/24"	04454115860	1	16.00 [7.26]
14B	Brake Chamber - 18"/24"	04454115760	1	16.00 [7.26]
15	Brake Chamber Nut - .63" -11 GR C	04247405280Z	2	0.09 [0.04]
16	Disc Brake Caliper - GR.RE.SBS 2220 K0	03080008800	1	32.50 [

ITEM	DESCRIPTION	PART NUMBER	QTY.	WEIGHT LBS [KG]
17	Disc Brake Caliper - GR.LI.SBS 2220 K0	03080008700	1	32.50 [
20	Stud, Wheel - New P89	2072100000081	1	0.69 [
27	Caliper Flange Bolt, 12 pt. M18 x 1.5 x 55mm	04375100610Z	3	0.40 [0.18]
28	Caliper Shoulder Bolt, 12 pt. M18 x 1.5 x 55mm	04375100810Z	1	0.40 [0.18]
29	Clamping Bushing	04029107200Z	1	0.01 [0.005]
31	Shield, Dust-N.A.Hub	2032100000190	1	4.00 [1.81]
32	Band, Clamp	04194202301	1	0.12 [0.05]
33	Bolt, Hex, M8X1.25X40 Class 8.8	04343107588	1	0.02 [0.01]
34	Grommet, Rubber	2024100000180	1	0.01 [0.005]
35	ABS SENSOR	04029107500Z	1	0.11 [0.05]
36	CLIP, ABS SENSOR	04029101300Z	1	0.01 [0.005]
37*	Washer, Flat 0.63" Plated	2082100000180	20	0.02 [0.01]
38*	Bolt, Hex Head 0.63 - 11 UNC x 1.75"	2015100000100	20	0.22 [0.10]

P89 Plus Disc Brake Exploded View



NOTE: For detailed Brake Caliper information, see page 4-10

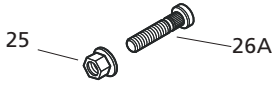
For P89 Integral disc brake rebuild procedures, see SAF publication XL-SA10059-en-US at www.safholland.us.

ITEM	DESCRIPTION	PART NUMBER	QTY. / AXLE	WEIGHT LBS [KG] PER ASSEMBLY
1	Beam & Axle Assembly	Contact SAF-HOLLAND	1	VARIES
2*	Hub Cap	01304011700Z	2	0.50 [0.23]
3	Gasket, Hub Cap	01093002300Z	2	0.00 [0.00]
4	Nut, Axle Pro-Torq	01011009400Z	2	1.00 [0.45]
5	Hub w/ Sealed Bearings - Short Studs	2073190000120	2	92.10 [41.78]
	Hub w/ Sealed Bearings - Long Studs	2073190000130		93.60 [42.46]
6	Bearing Cup	01231000900Z	4	1.70 [0.77]
7	Bearing - Cone (Optional)	04200102300Z	4	3.75 [1.70]
8*	Integral Rotor w/ABS Tone Ring – 22.5	2019200000010	2	69.10 [31.34]
11	Seal Hub	2024100000120	2	1.00 [0.45]
12*	Dust Shield	2032100000190	2	3.30 [1.50]
13*	Sensor, ABS	04029107500Z	2	0.05 [0.02]
14	Brake Chamber - See Page 4-4	N/A	2	N/A
15	Brake chamber nut – .63" -11 GR C	04247405280Z	4	0.09 [0.04]
16*	Brake Caliper - RH - 22.5"	03080008800	1	82.50 [37.42]
17*	Brake Caliper - LH - 22.5"	03080008700	1	82.50 [37.42]
20	Hub w/ Bearing Cups - Short Studs - M22 x 1.5 x 90 (Optional)	2073190000090	2	79.50 [36.06]
	Hub w/ Bearing Cups - Long Studs - M22 x 1.5 x 112 (Optional)	2073190000100		79.50 [36.06]
21	Clamp, Dust Shield	04194202301	2	0.25 [0.11]
22	Bolt, Hex, Dust shield – M8 x 1.25 x 40 Class 8.8	04343107588	2	0.05 [0.02]
23	Grommet	2024100000180	4	0.01 [0.00]
24	Bolt, Hub Cap - .31" -18 x .75", GR5	04343207800Z	12	0.03 [0.01]
25	Wheel Nut - M22 x 1.5	04247301201	20	0.30 [0.14]
26A	Wheel Stud - Long - M22 x 1.5 x 112	2072100000030	20	0.84 [0.38]
26B	Wheel Stud - Short - M22 x 1.5 x 90	2072100000020		0.66 [0.30]
27	Caliper Flange Bolt – 12 pt. M18 x 1.5 x 55mm	04375100610	6	0.40 [0.18]
28	Caliper Shoulder Bolt - 12 pt. M18 x 1.5 x 55mm	04375100810	2	0.40 [0.18]
29	Clamping Bushing	04029101300Z	2	0.01 [0.00]
30	Rotor Attachment Bolts – 12pt. Head M14 x 1.5 x 90	04375101210Z	20	0.30 [0.14]
31	Washer, Lock 0.31"	04141001500Z	12	0.04 [0.02]
32	Seal Hub (Optional)	01092003100Z	2	1.00 [0.45]

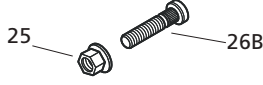
* Items not sold individually. See kit repair section.

P89 Plus Disc Brake Repair Kits

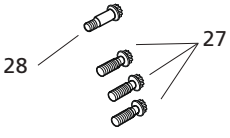
2074200000190
Wheel Bolt
Long Stud (Aluminum Rims)
Qty. 10 Kits Per Wheel End Wt. 1.20 lbs.



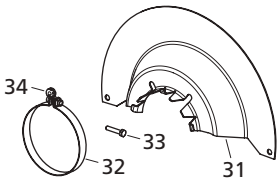
2074200000180
Wheel Bolt
Short Stud (Steel Rims)
Qty. 10 Kits Per Wheel End Wt. 1.40 lbs



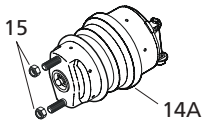
03434366000Z
Brake Caliper Bolts
Qty. 1 Per Wheel End Wt. 4.20 lbs.



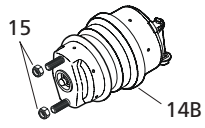
1022300000040
Dust Shield Kit, Disc Brake
Qty. 1 Per Wheel End Wt. 4.40 lbs



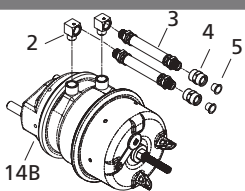
2017200000200
16/24 Chamber w/o Extension Tubes
Qty. 1 Per Wheel End Wt. 16.19 lbs



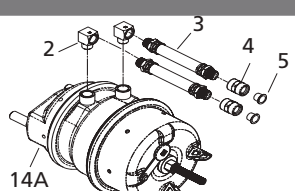
2017200000210
18/24 Chamber w/o Extension Tubes
Qty. 1 Per Wheel End Wt. 16.19 lbs



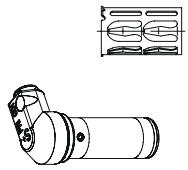
2017300000220
18/24 Chamber w/ Flex Extension Tubes
Qty. 1 Per Wheel End Wt. 17.00 lbs



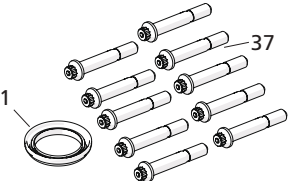
2017300000230
16/24 Chamber w/ Extension Tubes
Qty. 1 Per Wheel End Wt. 17.00 lbs



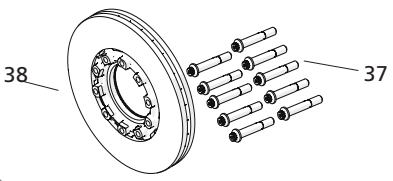
1022300000020
ABS Sensor Kit
Qty. 1 Per Wheel End Wt. 0.16 lbs.



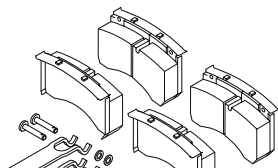
51830038
Hub Repair Kit
Qty. 1 Kit per Wheel End Wt. 4.0lbs.



51830036
Brake Rotor Replacement
Qty. 1 Kit per Wheel End Wt. 72.1 lbs.

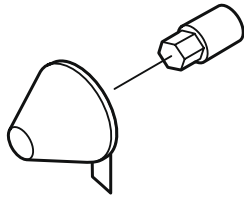


03057000600
Brake Lining
Qty. 1 Per Axle Wt. 20.70 lbs.

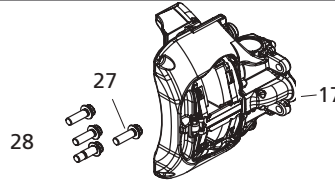


* NOTE: IMAGE FOR REFERENCE ONLY

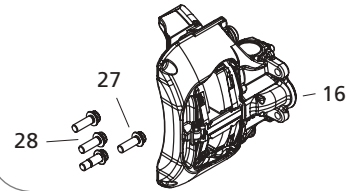
03434381600
Adjuster Cap & Shear Adaptor
Qty. 1 Per Wheel End Wt. 0.90 lbs.



51830052
Brake Caliper Replacement Kit - LH
Qty. 10 Per Wheel End Wt. 34.10 lbs.



51830053
Brake Caliper Replacement Kit - RH
Qty. 1 Per Wheel End Wt. 34.10 lbs.



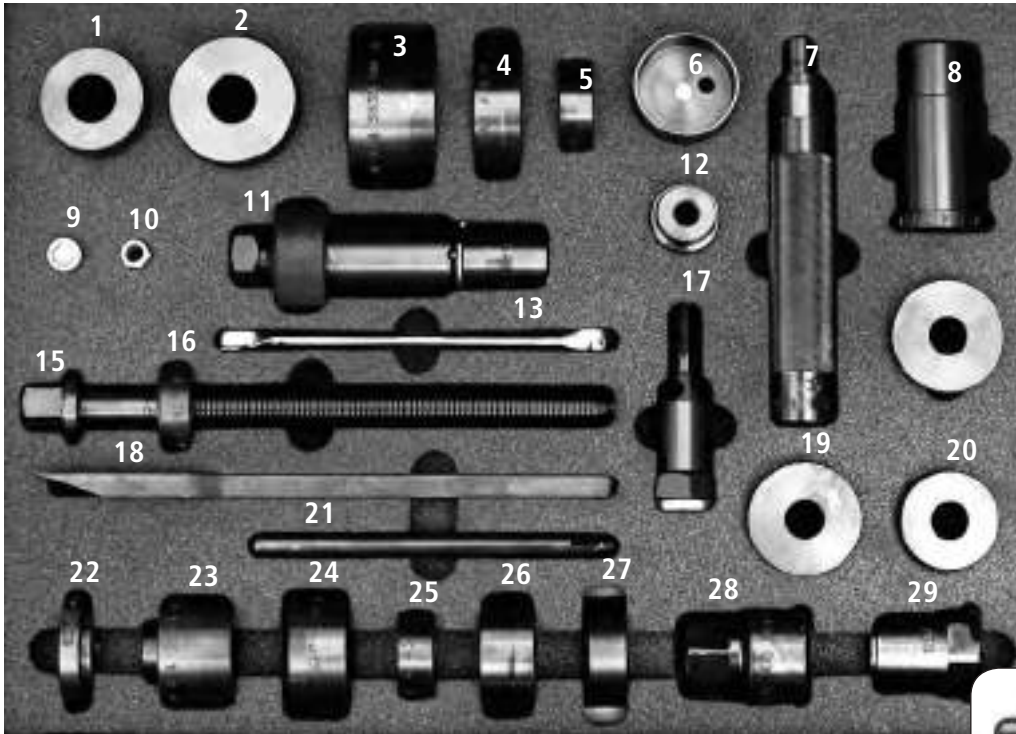
ITEM	DESCRIPTION	PART NUMBER	QTY.	WEIGHT LBS [KG]
1	Seal,Oil, Axle Mount - Parallel	01092003100Z	1	1.00 [
2	Elbox 90° 0.38"	93800355	2	0.18 [0.08]
3	Air Hose Assembly 0.38"	90038579	2	N/A
4	Pipe Coupling, 0.38" Female	93800356	2	0.12 [0.05]
5	Plastic Plug	2047100000210	2	N/A
37	Bolt, 12 PT, m14 x 1.5 x 90	04375101210Z	10	0.30 [
38	Disc Brake Rotor Assembly	2019200000010	1	69.10 [
14A	Brake Chamber - 16"/24"	04454115860	1	16.00 [7.26]
14B	Brake Chamber - 18"/24"	04454115760	1	16.00 [7.26]
15	Brake Chamber Nut - .63" -11 GR C	04247405280Z	2	0.09 [0.04]
16	Disc Brake Caliper - GR.RE.SBS 2220 K0	03080008800	1	32.50 [
17	Disc Brake Caliper - GR.LI.SBS 2220 K0	03080008700	1	32.50 [
25	Wheel Nut, M22 x 1.5	04247301201	10	0.30 [0.14]
26A	Wheel Stud - Long, M22 x 1.5 x 112	2072100000030	1	0.90 [0.41]
26B	Wheel Stud - Short, M22 x 1.5 x 90	2072100000020	1	0.84 [0.38]
27	Caliper Flange Bolt, 12 pt. M18 x 1.5 x 55mm	04375100610Z	3	0.40 [0.18]
28	Caliper Shoulder Bolt, 12 pt. M18 x 1.5 x 55mm	04375100810Z	1	0.40 [0.18]
31	Shield, Dust-N.A.Hub	2032100000190	1	4.00 [1.81]
32	Band, Clamp	04194202301	1	0.12 [0.05]
33	Bolt, Hex, M8X1.25X40 Class 8.8	04343107588	1	0.02 [0.01]
34	Grommet, Rubber	2024100000180	1	0.01 [0.005]

Universal Disc Brake Tool Box

Universal Caliper Disc Brake Tool Box for C88 & P89 Models

PART NUMBER: 03434332800

Weight: LBS [KG]
27.50 [12.47]



ITEM	DESCRIPTION
1	Puller for Floating Bearing - Type SN
2	Puller Sleeve
3	Driver Cup
4	Driver Cup - Adapter
5	Insert w/Magnet
6	Driver w/Magnet
7	Handle
8	Driver Sleeve
9	W.A.F 8
10	W.A.F 10
11	Caulking & Pulling Tool
12	Driver for Sheet Metal Sleeve
13	Ring/Open-Jaw Spanner
14	Driver Sleeve
15	Threaded Spindle TR20x2

ITEM	DESCRIPTION
16	Thrust Bearing
17	Spindle - Short/Long
18	Lever Fork
19	Driver Sleeve
20	Driver Sleeve
21	Retaining Bar
22	Puller Plate
23	Puller Sleeve for Bellows
24	Driver
25	Puller Sleeve
26	Adapter Ring
27	Puller Plate
28	Thruster w/Hexagon Head
29	Nut - TR20x2

**Brake Adjustment Ring / Fork Spanner Wrench
with Adapter 8/10 mm
for C88 & P89 Models**

PART NUMBER: 03434332700

Weight: LBS [KG]
.30 [.14]**24 mm Caliper Bolt Socket with 3/4" Drive
for C88 & P89 Models**

PART NUMBER: 04434385900

Weight: LBS [KG]
.30 [.14]**85 mm Spindle Nut Socket
for C88 Models**

PART NUMBER: 04434382800

Weight: LBS [KG]
3.40 [1.54]**Hub Cap Removal Lever
for C88 Models**

PART NUMBER: 01434104100

Weight: LBS [KG]
1.50 [0.68]**15 mm Hub Unit Socket for Disc Brake
with 1/2" Drive
for C88 & P89 Models**

PART NUMBER: 04434386200

Weight: LBS [KG]
.20 [0.09]**Hub Mounting Tool 88mm
for C88 Models**

PART NUMBER: 04434106800

Weight: LBS [KG]
3.51 [1.59]

Model Identification

3. Self-Steering Axle Model Identification

The Self-Steering Axle Serial Tag is located near the center of the axle tube (**Figure 2**).

4. Model Nomenclature

The sample tag shown will help you interpret the information on the SAF-HOLLAND, Inc. serial number tag. The axle version, type, test report number, serial number, identification number, axle capacity, and max speed is listed on the tag (**Figure 3**).

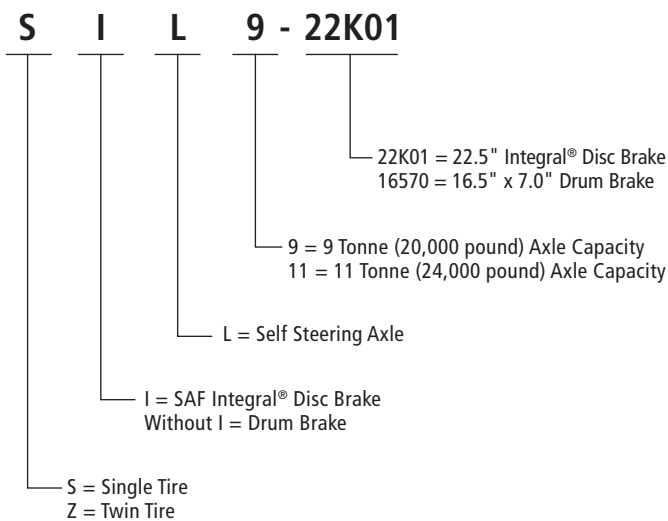


Figure 2

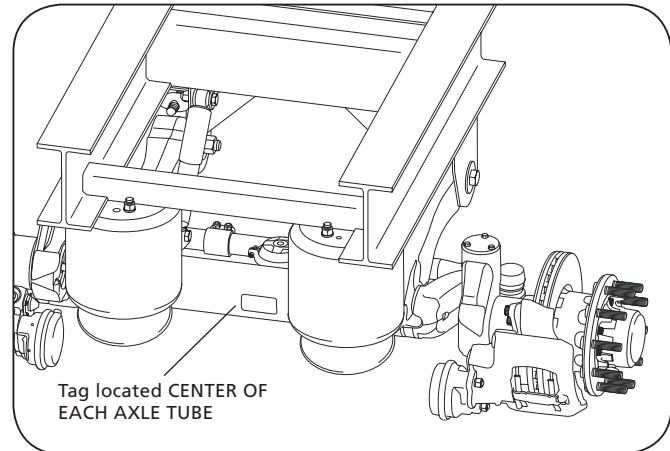





Figure 3

SAF-HOLLAND GMBH D-63856 BESSENBACH • GERMANY			
Version	SIL11-22K01	Serial No.	51 11 156 0020
Type	SBK2243-13S01	Ident No.	171 11 02 750 10
Test Report	3611203	Perm. axle cap. stat.	11000 kg
Made in Germany		V max.	105 km/h
			
AN 333528		SN 11091560020	

Service Parts

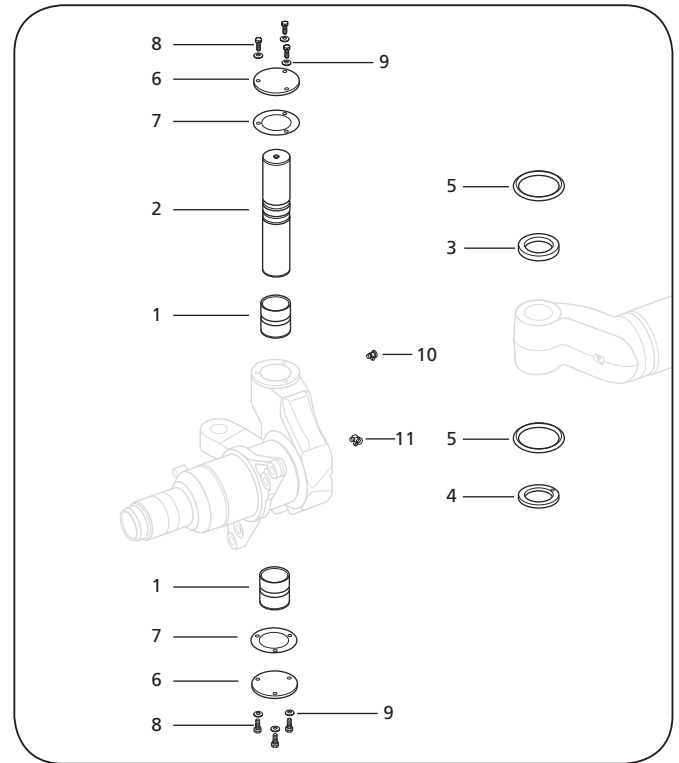
ITEM	DESCRIPTION	PART NUMBER	QTY. PER AXLE
1*	Bearing D65 / 60 x 70	04230017000Z	4
2*	Steering Bolt	01217001900Z	2
3*	Pressure Plate-Upper	01101000900Z	2
4*	Pressure Plate-Lower	01101001102Z	2
5*	O-Ring D84 x 11	04315001100Z	4
6*	Cover Plate	01091003600Z	4
7*	Gasket	01093001700Z	4
8*	Hexagon Screw M8	04343101588Z	12
9*	Lock Washer A8	04141000100Z	12
10*	Grease Fitting AM8 x 1	04201000100Z	2
11*	Grease Fitting BM8	04201000200Z	2
12A	Tie Rod Assembly 56.7" - 59.0"	03357021100Z	1
12B	Tie Rod Assembly 61.4" - 63.75"	03357021300Z	1
13	Tie Rod End - LH	02205000300Z	1
14	Tie Rod End - RH	02205000400Z	1
15	Axle Lock Actuator	03454112570Z	1
16	Stabilizing Damper	02376101300Z	1
17**	M-24 x 110 Grade 8.8 Bolt	04343002388Z	2
18**	Class 8 Nylon Insert Lock Nut	04247401480Z	2

* Available only in kit form 03434365700Z, Knuckle Repair Kit

** Available only in kit form 03341002319Z, Stabilizing Damper Fastener Kit

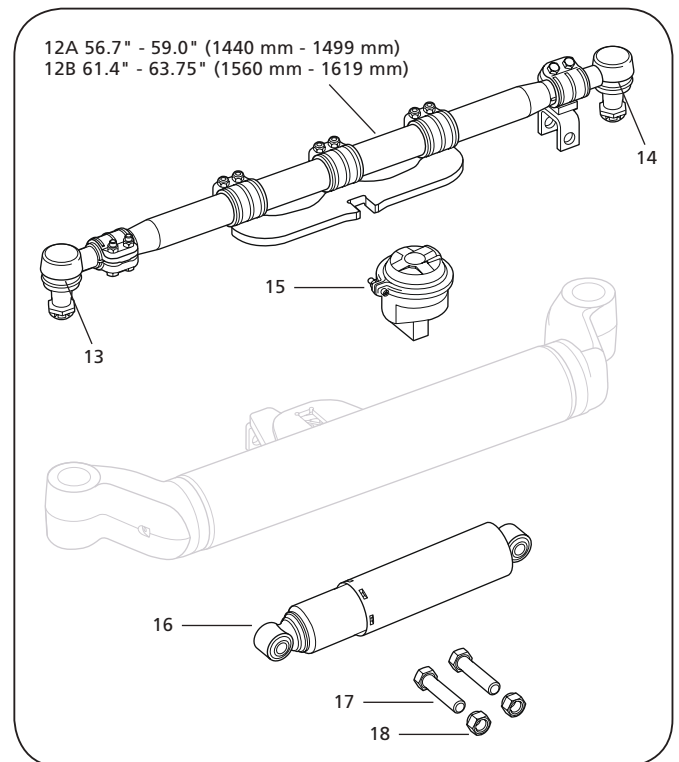
NOTE: Kits available from your local SAF-HOLLAND Distributor.

Figure 9



Self Steer Axle

Figure 10



Part Number Index



SAF-HOLLAND Group

PART NUMBER	PAGE NUMBER
9300677	1-79
9999048	2-128
11004028	2-125
11004029	2-125
11004030	2-125
11004031	2-125
11005156	2-22, 2-32, 2-40, 2-48, 2-64, 2-84, 2-90, 2-91, 2-100
33005298	1-91
40060054	2-12
40060055	2-12
40060056	2-12
40060057	2-12
40060058	2-12
40060059	2-12
40060060	2-12
40060061	2-12
40060062	2-12
40060063	2-12
40060074	2-12
40060075	2-12
40060076	2-12
40060077	2-12
40060078	2-12
41023327	2-200, 2-203, 2-221, 2-223, 2-224, 2-226, 2-228, 2-230
42110042	2-130
42110051	2-130
44100135	2-22, 2-32, 2-40, 2-48, 2-64, 2-90
44100160	2-22, 2-32, 2-40, 2-48, 2-64, 2-84, 2-91, 2-100
47044063	3-12, 3-13, 4-17
48100008	2-191, 2-193
48100016	2-189
48100018	2-199
48100020	2-287, 2-289, 2-302
48100022	2-189
48100033	2-337, 2-339
48100035	2-285, 2-287
48100042	2-293, 2-295, 2-308
48100050	2-287, 2-335, 2-337, 2-339
48100108	1-94, 1-98, 1-102, 1-106, 2-191, 2-193, 2-197, 2-199, 2-201, 2-203, 2-205, 2-207, 2-211, 2-225, 2-229
48100110	1-94, 1-102, 1-106, 1-191
48100112	1-95, 1-98, 1-102, 1-107, 2-191, 2-193, 2-197, 2-199, 2-201, 2-205, 2-207, 2-221, 2-225, 2-227
48100120	1-41
48100123	1-40
48100124	1-14, 1-41, 1-46, 1-58, 1-62
48100132	2-189
48100143	1-46

PART NUMBER	PAGE NUMBER
48100144	2-225, 2-227
48100145	2-287
48100146	2-288
48100147	2-293, 2-295, 2-308
48100149	2-289
48100151	2-225, 2-227
48100154	1-42
48100161	1-36, 1-40
48100170	1-42
48100181	1-95, 1-103, 1-107, 2-191, 2-201, 2-203, 2-205, 2-225, 2-229
48100186	2-221, 2-223, 2-227, 2-231
48100188	2-282
48100190	2-303
48100193	2-199
48100194	1-43
48100202	1-95, 1-103, 1-107, 2-162, 2-167, 2-169, 2-171, 2-172, 2-180, 2-181, 2-195, 2-197, 2-201, 2-203, 2-205, 2-207, 2-211, 2-213, 2-215, 2-217, 2-219, 2-221, 2-223, 2-225, 2-227, 2-229, 2-231, 2-233
48100203	2-335
48100204	1-36, 1-47
48100205	1-37, 1-47
48100206	2-137, 2-139, 2-141, 2-151, 2-153, 2-155, 2-157, 2-160, 2-161, 2-167, 2-169, 2-171, 2-172, 2-179, 2-180, 2-181, 2-195, 2-213, 2-215, 2-217, 2-219, 2-233
48100215	1-105, 2-229, 2-231
48100216	1-103, 2-225, 2-227
48100218	1-105, 2-229, 2-231
48100219	1-105, 2-229, 2-231
48100220	1-105, 2-229, 2-231
48100230	1-105, 2-229, 2-231
48100245	1-51
48100246	1-50
48100247	1-50
48100249	1-50
48100250	1-105, 2-229, 2-231
48100253	1-51
48100259	1-66
48100260	1-59, 1-63, 1-67
48100261	1-58, 1-62, 1-66
48100263	2-209
48100264	2-130, 2-137, 2-139, 2-141, 2-160, 2-161, 2-162
48100276	1-13
48100289	2-141, 2-162
48100291	2-137, 2-162
48100292	2-137, 2-162
48100294	2-181, 2-195, 2-233
48100313	1-14

PART NUMBER	PAGE NUMBER
48100315	1-14
48100319	2-160, 2-161, 2-180
48100320	2-124, 2-130, 2-161
48100328	2-143, 2-145, 2-147, 2-149, 2-159, 2-160
48100329	2-130, 2-141, 2-162
48100334	1-14
48100335	1-13
48100362	1-14
48100364	1-13
48100366	1-6
48100378	1-20
48100379	1-20
48100383	2-151, 2-153, 2-160, 2-161, 2-180, 2-181
48100384	2-141, 2-160, 2-161, 2-180
48100385	2-124, 2-130, 2-139, 2-141, 2-143, 2-145, 2-147, 2-149, 2-160, 2-161, 2-180
48100386	2-151, 2-153, 2-160, 2-161, 2-180, 2-181
48100387	2-160, 2-161, 2-180, 2-181
48100388	2-155, 2-157, 2-159, 2-160, 2-161, 2-179, 2-180, 2-181
48100389	2-124, 2-141, 2-143, 2-145, 2-147, 2-149, 2-160, 2-162, 2-180
48100394	2-18, 2-29, 2-39, 2-47, 2-56, 2-62, 2-82
48100395	2-18, 2-29, 2-39, 2-47
48100396	2-18, 2-29, 2-39, 2-47
48100406	2-18, 2-29, 2-39, 2-47, 2-56, 2-62, 2-82
48100407	2-163
48100408	2-163
48100409	2-163
48100410	2-163
48100411	2-163
48100412	2-163
48100413	2-163
48100414	2-163
48100415	2-163
48100416	2-163
48100417	2-164
48100418	2-164
48100419	2-164
48100420	2-164
48100421	2-164
48100422	2-164
48100427	1-13
48100428	1-14
48100429	1-13
48100449	2-18
48100450	2-18
48100462	2-53, 2-54, 2-59, 2-60, 2-79, 2-80, 2-87

PART NUMBER	PAGE NUMBER
48100463	2-53, 2-54, 2-59, 2-60, 2-79, 2-80, 2-87
48100464	2-53, 2-54, 2-59, 2-60, 2-79, 2-80, 2-87
48100465	2-53, 2-55, 2-59, 2-61, 2-79, 2-81, 2-87
48100466	2-53, 2-55, 2-59, 2-61, 2-79, 2-81, 2-87
48100467	2-53, 2-55, 2-59, 2-61, 2-79, 2-81, 2-87
48100471	2-18, 2-29, 2-39, 2-47, 2-56, 2-62, 2-82
48100480	1-6
48100481	1-20
48100482	1-20
48100483	1-6
48100492	2-18
48100493	2-18
48100494	2-18
48100495	2-18
48100496	2-23, 2-33, 2-41, 2-49, 2-65, 2-90
48100497	2-22, 2-32, 2-40, 2-48, 2-64, 2-90
48100498	2-23, 2-33, 2-41, 2-49, 2-65, 2-91
48100502	2-55
48100503	2-55
48100509	1-32
48100510	1-32
48100511	1-33
48100545	4-5
48100549	1-33
48100550	1-76
48100551	1-76
48100552	1-76
48100553	1-80
48100554	1-80
48100555	1-76
48100556	1-76
48100557	1-76
48100558	1-82
48100559	1-80
48100560	1-76
48100561	1-76
48100562	1-76
48100565	1-76
48100566	1-76
48100567	1-76
48100569	1-78
48100570	1-78
48100571	1-78
48100572	1-78
48100573	1-78
48100574	1-78

PART NUMBER	PAGE NUMBER
48100577	2-114
48100607	1-80
48100608	1-76
48100609	1-76
48100625	1-78
48100636	1-78
48100637	1-78
48100638	1-78
48100639	1-78
48100641	1-80
50001001	2-115
50001006	2-115
50008002	2-115
50038002	2-115
50044004	2-115
50044005	1-82
50044006	1-82
50044007	1-82
50044008	1-82
50044011	1-82
50506001	1-103
50538004	2-115
50544002	1-103
50544015	2-115
50544018	1-82
50544019	1-82
50844001	1-75
50857000	2-15, 2-19, 2-39, 2-47
50860006	2-20, 2-30, 2-57, 2-63, 2-83
50860013	2-20, 2-30, 2-57, 2-63, 2-83
50860014	2-20, 2-30, 2-57, 2-63, 2-83
50860015	2-20, 2-30, 2-57, 2-63, 2-83
50860016	2-20, 2-30, 2-57, 2-63, 2-83
51830000	3-7
51830001	3-4
51830002	3-11
51830003	3-11
51830004	3-11
51830005	3-11
51830006	3-11
51830007	3-11
51830008	3-10
51830009	3-10
51830010	3-10
51830011	3-10
51830012	3-8
51830013	3-8
51830014	3-8
51830020	3-10
51830024	3-5
51830025	3-6
51830029	3-9

PART NUMBER	PAGE NUMBER
51830030	3-9
51830031	3-9
51830036	4-12, 4-22
51830037	4-8
51830038	4-12, 4-22
51830039	4-9, 4-12
51830040	4-9, 4-12
51830046	4-18
51830047	4-18
51830048	4-18
51830049	4-15, 4-17, 4-19
51830050	4-18
51830052	4-19, 4-23
51830053	4-19, 4-23
80000290	2-115
90001002	1-8, 1-9, 1-14, 1-35, 1-39, 1-40, 1-41, 1-46, 1-50, 1-57, 1-58, 1-61, 1-62
90001006	1-93, 1-97, 1-101, 1-105, 1-109, 2-191, 2-193, 2-197, 2-199, 2-201, 2-203, 2-205, 2-207, 2-225, 2-229
90001007	2-191
90001008	1-93, 1-101, 1-105, 2-191, 2-201, 2-203, 2-205, 2-225, 2-229
90001012	2-235, 2-236
90001037	1-101, 1-105
90001045	1-93, 2-199
90001065	1-8, 1-14, 1-40, 1-41, 1-46, 1-58, 1-62
90001078	2-234
90001082	1-93, 1-97, 1-101, 1-105, 1-109, 2-189, 2-191, 2-197, 2-199, 2-201, 2-203, 2-205, 2-207, 2-221, 2-225, 2-227, 2-229, 2-234
90001083	2-201, 2-203, 2-221, 2-225, 2-227, 2-229
90001086	2-234
90001119	2-191, 2-227
90001127	2-335
90001128	2-227
90001131	2-209, 2-211, 2-221, 2-223, 2-231
90001132	2-209, 2-211, 2-223, 2-231
90001133	2-223, 2-231
90001136	1-52
90001137	1-52
90001151	1-52
90001181	2-231
90001200	2-171
90001205	1-8, 1-14
90001215	2-337
90001216	2-337
90001284	1-91
90001285	1-91

Part Number Index



SAF-HOLLAND Group

PART NUMBER	PAGE NUMBER
90001284	1-91
90001285	1-91
90001299	2-177
90001300	2-177
90001340	2-117, 2-121, 2-139, 2-141, 2-143, 2-145, 2-147, 2-149, 2-162
90001341	2-117, 2-121, 2-127, 2-139, 2-141, 2-143, 2-145, 2-147, 2-149, 2-162
90001349	1-10, 1-14
90001546	1-32, 2-111, 2-114
90001760	1-27, 1-31
90003645	1-109
90006283	2-237
90006338	1-45
90006380	1-35, 1-39
90008002	1-39, 1-41, 1-42
90008003	1-39
90008004	2-229
90008006	1-39, 1-40
90008008	1-8, 1-14, 1-35, 1-39, 1-41, 1-45, 1-46, 1-57, 1-58, 1-61, 1-62
90008011	2-281, 2-285, 2-286
90008043	2-291, 2-308
90008011	2-275, 2-279
90008043	2-302
90008044	2-302
90008092	2-200, 2-221, 2-223, 2-225, 2-227, 2-229, 2-231
90008104	1-45, 1-46
90008110	1-39
90008113	1-17, 1-35, 1-36, 1-39, 1-40
90008120	1-8, 1-9, 1-39, 1-45, 1-57, 1-61
90008125	1-4, 1-5, 1-6
90008126	1-4
90008131	1-39, 1-42, 1-43, 2-199, 2-275, 2-277, 2-282, 2-335
90008135	1-10, 1-13, 1-57, 1-58, 1-61, 1-62, 1-65, 1-66
90008139	1-93, 1-95, 1-97, 1-99, 1-101, 1-103, 1-105, 1-107, 1-109, 2-151, 2-153, 2-155, 2-157, 2-159, 2-161, 2-162, 2-167, 2-169, 2-171, 2-172, 2-173, 2-175, 2-177, 2-179, 2-181, 2-195, 2-197, 2-201, 2-203, 2-205, 2-207, 2-211, 2-213, 2-215, 2-217, 2-219, 2-221, 2-223, 2-225, 2-227, 2-229, 2-231, 2-233, 2-343
90008145	1-35, 1-36, 1-37, 1-45, 1-47

PART NUMBER	PAGE NUMBER
90008147	1-97, 1-99, 1-101, 1-105, 1-109, 2-137, 2-139, 2-141, 2-143, 2-155, 2-157, 2-164, 2-167, 2-169, 2-171, 2-173, 2-179, 2-195, 2-197, 2-203, 2-205, 2-207, 2-211, 2-213, 2-215, 2-217, 2-219, 2-233, 2-343
90008148	2-341
90008149	2-117, 2-121, 2-124, 2-127, 2-137, 2-139, 2-141, 2-143, 2-145, 2-147, 2-149, 2-151, 2-153, 2-155, 2-157, 2-159, 2-161, 2-162, 2-167, 2-169, 2-171, 2-172, 2-173, 2-175, 2-177, 2-179, 2-181, 2-195, 2-213, 2-215, 2-217, 2-219, 2-233, 2-343
90008150	1-35, 1-36, 1-42, 1-47
90008151	1-57, 1-59, 1-61, 1-63, 1-65, 1-67
90008165	1-17, 1-49, 1-51
90008166	1-17, 1-49, 1-51
90008172	1-50, 1-54
90008175	1-8
90008178	2-209
90008181	1-65
90008183	1-65
90008185	2-139, 2-195, 2-233
90008186	2-139, 2-195, 2-233
90008189	1-50, 1-54
90008190	1-17
90008191	1-17
90008192	1-17
90008194	1-4
90008195	1-9, 1-14
90008198	1-91, 2-127, 2-141, 2-143, 2-145, 2-147, 2-149, 2-151, 2-153, 2-155, 2-157, 2-159, 2-161, 2-162, 2-164, 2-167, 2-169, 2-171, 2-173, 2-175, 2-179
90008211	1-19, 1-20
90008219	1-8, 1-9, 1-13
90008225	1-10, 1-14
90008232	1-10
90008234	2-118, 2-122
90008238	2-118, 2-122, 2-124, 2-127, 2-141, 2-143, 2-145, 2-147, 2-149, 2-151, 2-153, 2-161, 2-162, 2-163, 2-164, 2-167, 2-169, 2-173, 2-175, 2-181
90008240	1-5, 1-6
90008241	1-19, 1-20
90008242	1-19, 1-20
90008243	1-19, 1-20
90008246	1-5, 1-6

PART NUMBER	PAGE NUMBER
90008247	2-15, 2-17, 2-19, 2-29, 2-37, 2-39, 2-45, 2-47, 2-53, 2-55, 2-56, 2-59, 2-62, 2-67, 2-71, 2-75, 2-79, 2-82, 2-87, 2-93, 2-97, 2-103, 2-107
90008252	1-8, 1-9, 1-13
90008253	1-91
90008255	1-91
90008256	1-10, 1-13
90008264	1-25, 1-29, 1-33
90008265	1-25, 1-29, 1-33
90008267	1-27, 1-31, 1-32
90008267	1-23, 1-25, 1-26
90008279	1-27, 1-31, 1-32
90008280	1-73, 1-81
90008285	2-111, 2-114
90009011	2-277
90010001	2-189
90010002	2-221, 2-223, 2-227, 2-231
90010009	2-279, 2-281
90010022	2-201, 2-221, 2-225, 2-227
90010026	2-234
90010032	2-191, 2-193, 2-197, 2-199, 2-201, 2-203, 2-205, 2-207, 2-209, 2-211, 2-225, 2-229
90010047	2-203, 2-223, 2-229, 2-231
90010068	1-73, 1-81
90015113	1-19
90015115	1-19
90015150	2-11, 2-25, 2-35, 2-43, 2-117, 2-121, 2-133, 2-241, 2-265
90015168	1-73
90018010	2-1892-191, 2-193
90018011	2-191
90018031	1-19
90018036	1-35, 1-45
90018061	2-199
90018062	2-199
90018067	2-199
90018114	2-199
90018115	2-211
90018116	1-39, 1-57, 1-61, 2-209, 2-213
90018179	2-201, 2-221, 2-225, 2-227
90018218	2-237
90018301	2-191, 2-207
90018322	2-201, 2-221, 2-225, 2-227
90018348	2-205, 2-207, 2-335
90018367	1-35, 1-45
90018427	2-203, 2-211, 2-223
90018431	1-35
90018445	2-137, 2-139, 2-143, 2-147, 2-153, 2-169, 2-215
90018472	1-17, 1-49

PART NUMBER	PAGE NUMBER
90018475	1-49
90018482	1-35, 1-39
90018515	2-111, 2-141, 2-151, 2-195, 2-217, 2-219
90018527	2-203, 2-223, 2-231
90018542	1-4, 1-5, 1-17, 1-19, 1-27, 1-31, 1-91
90018578	1-39, 1-57, 1-61
90018579	1-39, 1-57, 1-61
90018621	2-25
90018658	1-19
90018670	1-19
90018729	1-27, 1-31
90018746	1-27, 1-31
90018748	1-27, 1-31
90018749	2-223, 2-229
90023001	2-137, 2-139, 2-151, 2-153, 2-155, 2-157, 2-159, 2-164, 2-167, 2-169, 2-173, 2-195, 2-207, 2-213, 2-215, 2-217, 2-219, 2-233, 2-337
90023002	2-137, 2-139, 2-141, 2-143, 2-145, 2-147, 2-149, 2-151, 2-153, 2-155, 2-157, 2-159, 2-163, 2-164, 2-167, 2-169, 2-171, 2-173, 2-175, 2-179, 2-195, 2-197, 2-200, 2-203, 2-205, 2-211, 2-213, 2-215, 2-217, 2-219, 2-233
90023003	2-197
90023044	2-279
90023046	2-279
90023131	1-4, 1-5, 1-9, 1-10, 1-31, 1-35, 1-39, 1-45, 1-57, 1-61
90023865	2-201, 2-221, 2-225, 2-227
90023866	2-200, 2-203, 2-221, 2-223, 2-224, 2-226, 2-228, 2-230
90023876	2-203, 2-207, 2-211, 2-223, 2-229, 2-231
90023918	2-200, 2-203, 2-221, 2-223, 2-224, 2-226, 2-228, 2-230
90023919	2-200, 2-203, 2-221, 2-223, 2-224, 2-226, 2-228, 2-230
90024664	2-203, 2-223, 2-231
90024665	2-203
90024738	2-205
90024926	1-49
90024932	1-49, 1-50
90025018	2-211
90025035	1-65
90025157	2-141, 2-143, 2-145, 2-147, 2-149, 2-155, 2-157, 2-163, 2-164, 2-167, 2-169, 2-217
90025288	2-167, 2-169, 2-171, 2-173, 2-233
90025497	1-4
90025873	2-171, 2-175, 2-179
90026040	1-5, 1-6

PART NUMBER	PAGE NUMBER
90026068	1-19
90026151	2-25
90026152	2-25
90026187	1-5
90026227	2-11, 2-25, 2-35, 2-43
90026334	2-23, 2-33, 2-41, 2-49, 2-65, 2-90
90026410	1-25, 1-29
90026546	2-111
90026594	1-73
90026595	1-73
90026615	2-25
90026642	1-73, 1-79
90026648	3-2, 3-3, 3-4, 3-5, 3-6, 3-9
90026725	1-73
90026726	1-73
90026727	1-73
90026728	1-73
90026756	2-111
90026770	1-73, 1-79
90026916	1-79
90026917	1-79
90026920	1-79
90026921	1-79
90026928	1-79
90026929	1-79
90028005	1-95, 1-98, 1-102, 1-107, 2-221, 2-227
90028007	2-189, 2-191, 2-193, 2-199, 2-221, 2-223, 2-227, 2-231
90028016	2-191, 2-193, 2-199
90028047	1-93, 1-94, 1-95, 1-97, 1-98, 1-101, 1-102, 1-103, 1-105, 1-106, 1-107, 1-109, 2-191, 2-193, 2-197, 2-199, 2-201, 2-203, 2-205, 2-207, 2-209, 2-211, 2-225, 2-229, 2-234
90028073	1-95, 1-98, 1-102, 1-107, 2-201, 2-203, 2-223, 2-225, 2-229, 2-231
90028083	1-93, 1-94, 1-95, 1-97, 1-98, 1-101, 1-102, 1-103, 1-105, 1-106, 1-107, 1-109, 2-189, 2-191, 2-193, 2-197, 2-199, 2-201, 2-203, 2-205, 2-207, 2-209, 2-211, 2-221, 2-223, 2-225, 2-227, 2-229, 2-231, 2-234
90031007	2-237
90031025	2-197
90031027	1-35, 1-97, 2-199, 2-211, 2-237
90031051	1-97
90031137	2-229
90031169	2-335
90031182	2-211, 2-213, 2-215
90031437	2-197, 2-205, 2-207, 2-211
90031443	2-197

PART NUMBER	PAGE NUMBER
90032137	2-201, 2-203, 2-221, 2-223, 2-225, 2-227, 2-231
90032382	1-45
90032386	1-45
90032561	2-197, 2-199
90032742	2-213
90033019	2-195
90033062	2-207
90033327	1-49
90033361	1-49
90033376	1-49
90033449	2-209
90033472	1-4
90033511	2-211
90033785	2-137, 2-139, 2-141, 2-143, 2-145, 2-147, 2-149, 2-151, 2-153, 2-167, 2-169, 2-171, 2-173, 2-179, 2-189, 2-191, 2-193, 2-195, 2-201, 2-203, 2-205, 2-207, 2-209, 2-211, 2-213, 2-215, 2-217, 2-219, 2-221, 2-223, 2-225, 2-227, 2-229, 2-231, 2-233
90033845	1-4, 1-5
90034247	2-53, 2-59, 2-67, 2-71, 2-75, 2-79, 2-87, 2-93, 2-97, 2-103, 2-107
90034268	2-171, 2-175, 2-177
90034436	1-5, 1-6
90034494	2-127
90034537	2-25
90034541	2-11, 2-25, 2-35, 2-43
90034559	2-11, 2-27, 2-35, 2-43
90034740	1-25, 1-29
90034803	2-23, 2-33, 2-41, 2-49, 2-65, 2-90, 2-91
90034838	2-111
90034869	1-73
90034877	1-73
90034886	2-25
90034902	1-73
90034944	1-85
90034945	1-85
90034946	1-85
90034948	1-85
90035006	1-81
90035171	2-95
90036001	1-39, 1-41, 1-42
90036007	1-17, 1-35, 1-36, 1-39, 1-40
90036118	1-57, 1-58, 1-61, 1-62, 1-65, 1-66
90036142	2-335, 2-337
90036152	2-335
90036159	1-49
90036160	1-49
90036165	1-14

Part Number Index



SAF-HOLLAND Group

PART NUMBER	PAGE NUMBER
90036175	2-141, 2-161, 2-167, 2-169, 2-171, 2-172, 2-179, 2-181
90036177	1-91, 1-93, 1-95, 1-97, 1-99, 1-101, 1-103, 1-105, 1-107, 1-109, 2-117, 2-121, 2-124, 2-127, 2-137, 2-139, 2-141, 2-143, 2-145, 2-147, 2-149, 2-151, 2-153, 2-155, 2-157, 2-159, 2-161, 2-162, 2-163, 2-164, 2-167, 2-169, 2-171, 2-172, 2-173, 2-175, 2-177, 2-179, 2-181, 2-195, 2-197, 2-200, 2-203, 2-205, 2-207, 2-211, 2-213, 2-215, 2-217, 2-219, 2-221, 2-223, 2-225, 2-227, 2-229, 2-231, 2-233
90036192	1-4, 1-5, 1-6
90036209	1-9, 1-13
90036210	1-9, 1-14
90036217	2-117, 2-121, 2-124, 2-127, 2-141, 2-143, 2-145, 2-147, 2-149, 2-161
90036249	1-19
90036274	2-15, 2-19, 2-37, 2-39, 2-47
90036275	2-15, 2-19, 2-37, 2-39, 2-47
90036278	1-27, 1-31
90036278	1-23, 1-25
90036286	1-73
90036289	1-73
90036290	2-25
90036293	1-73, 1-77
90036302	1-77, 1-81
90036303	1-77, 1-81
90036304	1-77, 1-81
90036305	1-81
90038056	2-197
90038083	1-45
90038249	2-197
90038312	2-153, 2-213, 2-215
90038393	2-111, 2-177
90038544	1-73, 1-81
90038548	1-73, 1-81
90038555	1-85
90038556	1-85
90038557	1-85
90038558	1-85
90038559	1-85
90038560	1-85
90038561	1-85
90038562	1-85
90038563	1-85
90038564	1-85
90038579	4-9, 4-13, 4-19, 4-23
90038589	1-81
90041067	2-285, 2-287, 2-289, 2-302
90041170	2-171, 2-175, 2-177, 2-179, 2-281, 2-309

PART NUMBER	PAGE NUMBER
90041174	2-309, 2-311, 2-313, 2-315, 2-319, 2-321, 2-323, 2-325, 2-329, 2-331, 2-333
90041180	2-313, 2-315, 2-317, 2-325, 2-327
90041184	2-313, 2-319, 2-327
90041253	2-313, 2-319, 2-325
90041255	2-319
90041257	2-313, 2-325
90041259	2-319
90041261	2-313, 2-319, 2-327
90041272	2-291
90041322	2-295, 2-297
90041324	2-293, 2-299, 2-301, 2-305, 2-307
90041326	2-275, 2-277
90041348	2-295, 2-297
90041350	2-297, 2-305
90041353	2-293
90041354	2-299, 2-301, 2-307
90041382	2-221, 2-223, 2-227
90041384	2-231
90041394	2-221, 2-223, 2-227, 2-231
90041430	2-279
90041474	2-285
90041476	2-289
90041478	2-285, 2-305
90041482	2-289, 2-307
90041518	2-291
90041522	2-291
90041532	2-291
90041690	2-295
90041696	2-297
90041698	2-301
90041700	2-297, 2-301
90041807	2-275, 2-277
90041842	2-275, 2-277
90041878	1-93, 1-94, 1-97, 1-98, 1-101, 1-102, 1-105, 1-106, 1-109, 2-191, 2-193, 2-197, 2-199, 2-201, 2-203, 2-205, 2-207, 2-209, 2-211, 2-225, 2-229
90041886	2-191
90041969	2-295, 2-297
90041971	2-305
90041997	1-95, 1-98, 1-102, 1-107, 2-201, 2-221, 2-225, 2-227
90042061	2-287, 2-289
90042064	2-285
90042106	2-281, 2-315, 2-321, 2-325
90042110	2-321
90042111	2-315, 2-325
90042113	2-319
90042117	2-327
90042408	2-234

PART NUMBER	PAGE NUMBER
90042544	2-285
90042791	1-93, 1-94, 1-101, 1-102, 1-105, 1-106
90042792	1-93, 1-95, 1-101, 1-103, 1-105, 1-107, 2-191, 2-201, 2-203, 2-205, 2-225, 2-229
90042795	2-201, 2-221, 2-225, 2-227
90042796	2-285, 2-287, 2-293, 2-295, 2-297, 2-299, 2-301, 2-303
90042814	2-275, 2-277
90042836	2-203, 2-223, 2-229, 2-231
90042846	2-203, 2-223, 2-229, 2-231
90044011	1-39
90044025	1-35, 1-39, 1-57, 1-61, 2-133
90044046	1-45, 2-211
90044089	2-141, 2-143, 2-147, 2-151, 2-167, 2-195, 2-213, 2-217, 2-219
90044109	2-237
90044111	2-237
90044162	1-93, 1-97, 1-101, 1-105, 1-109, 2-15, 2-17, 2-37, 2-45, 2-67, 2-71, 2-75, 2-107, 2-111, 2-118, 2-122, 2-127, 2-139, 2-141, 2-167, 2-171, 2-173, 2-175, 2-177, 2-197, 2-199, 2-215, 2-217
90044164	2-237
90044174	1-35, 1-39
90044203	2-236
90044236	2-285
90044625	2-191, 2-201, 2-203, 2-205, 2-207, 2-221, 2-223, 2-225, 2-227, 2-229, 2-231
90044626	2-167, 2-169, 2-173, 2-189, 2-191, 2-193, 2-201, 2-203, 2-205, 2-207, 2-211
90044642	1-93, 1-101, 1-105, 2-67, 2-97, 2-141, 2-143, 2-147, 2-151, 2-167, 2-169, 2-171, 2-173, 2-175, 2-195, 2-217, 2-219, 2-233
90044776	1-103
90044777	1-103
90044794	2-139, 2-217, 2-219
90044868	2-53, 2-59, 2-67, 2-75, 2-79, 2-87, 2-111, 2-209, 2-211
90044871	1-49
90044874	1-17, 1-49
90044877	1-49
90044882	1-49
90044883	1-49, 1-50
90044884	1-49, 1-50
90044887	1-17, 1-49
90044907	1-49
90044949	2-209
90044972	1-49
90044977	2-137

PART NUMBER	PAGE NUMBER
90044978	2-137
90044979	2-137
90045017	1-49
90045031	1-65
90045040	2-15, 2-17, 2-75, 2-93, 2-103, 2-107, 2-111, 2-118, 2-122, 2-139, 2-145, 2-149, 2-153, 2-167, 2-169, 2-173, 2-217
90045050	1-65
90045053	1-65
90045054	2-97, 2-103, 2-155, 2-157, 2-167, 2-177, 2-195, 2-215, 2-217, 2-219
90045138	1-17
90045172	1-17
90045212	1-4
90045226	1-4
90045233	1-4, 1-5
90045298	2-15, 2-17, 2-37, 2-45, 2-53, 2-59, 2-79, 2-87, 2-118, 2-122, 2-167
90045299	2-67, 2-71, 2-97, 2-118, 2-122, 2-145, 2-149, 2-153
90045307	2-127
90045337	2-159, 2-169, 2-173, 2-179
90045338	2-155, 2-157
90045339	2-159
90045362	2-122
90045381	2-53, 2-59, 2-67, 2-79, 2-87, 2-107, 2-111, 2-143, 2-145, 2-149, 2-171, 2-175, 2-177
90045385	1-4
90045443	1-19
90045444	2-179
90045456	1-19
90045471	2-179
90045491	2-15, 2-17, 2-19, 2-27, 2-29, 2-37, 2-39, 2-45, 2-47, 2-53, 2-54, 2-56, 2-59, 2-60, 2-62, 2-67, 2-71, 2-75, 2-79, 2-80, 2-82, 2-87, 2-93, 2-97, 2-103, 2-107
90045526	1-91
90045547	2-25
90045590	2-23, 2-33, 2-41, 2-49, 2-65, 2-90, 2-91
90045591	2-23, 2-33, 2-41, 2-49, 2-65, 2-90
90045605	1-25, 1-29
90045607	2-71, 2-93, 2-97, 2-103
90045608	2-67, 2-71, 2-75, 2-93, 2-97, 2-103, 2-107, 2-111
90045616	1-25
90045618	1-25
90045620	1-25
90045622	1-25
90045623	1-29
90045625	1-29

PART NUMBER	PAGE NUMBER
90045627	1-29
90045629	1-29
90045633	1-25
90045635	1-25
90045637	1-29
90045639	1-29
90045662	1-73
90045663	1-73, 1-81
90045669	2-27
90045695	1-73, 1-77
90045696	1-73, 1-77
90045707	1-73, 1-77
90045716	1-73, 1-79
90045717	1-88, 1-89
90045729	1-88, 1-89
90045730	1-88, 1-89
90045752	1-81
90045757	1-81
90054811	2-127
90054814	2-128
90057034	1-103
90060003	1-85
90060004	1-86, 1-88
90060005	1-86, 1-88
90060006	1-86, 1-87, 8-88, 1-89
90060007	1-86, 1-87, 8-88, 1-89
90060008	1-86, 1-87, 8-88, 1-89
90060009	1-86, 1-87, 8-88, 1-89
90060010	1-86, 1-87, 8-88, 1-89
90060012	1-86, 1-88
90060013	1-86, 1-88
90060014	1-86, 1-88
90060015	1-86, 1-87, 8-88, 1-89
90060016	1-86, 1-87, 8-88, 1-89
90060017	1-86, 1-87, 8-88, 1-89
90060018	1-86, 1-87, 8-88, 1-89
90060019	1-86, 1-87
90060020	1-85
90060030	1-85
90060046	1-85
90066000	1-75, 1-77
90066001	1-77, 1-81
90066002	1-75
90066003	1-75, 1-77
90066004	1-75, 1-77
90066005	1-75
90066006	1-75, 1-77
90066007	1-75
90066008	1-75
90066009	1-75, 1-77, 1-81
90066011	1-75
90066012	1-75, 1-77, 1-81

PART NUMBER	PAGE NUMBER
90066013	1-75, 1-77, 1-81
90066014	1-75, 1-77, 1-81
90066015	1-75, 1-77, 1-81
90066016	1-75, 1-77
90066017	1-75
90066018	1-75
90066019	1-75
90066020	1-75
90066021	1-75, 1-81
90066022	1-75
90066023	1-77
90066024	1-77
90066025	1-77
90066026	1-77
90070000	1-73, 1-75, 1-77
90070001	1-73, 1-75
90070002	1-73, 1-75
90070003	1-73, 1-75, 1-77
90070004	1-73, 1-75, 1-77, 1-81
90070005	1-73, 1-75
90070005	1-47, 1-49, 1-53
90070006	1-75
90070007	1-75
90070008	1-75
90070009	1-75
90070010	1-75
90070011	1-75
90101103	2-305
90420439	2-165
90501037	1-93
90501083	2-237
90501084	2-237
90501181	2-221, 2-223
90501185	1-52
90501186	1-52
90501187	1-52
90501191	1-52
90501194	1-52
90501198	1-52
90501199	1-52
90501210	1-65
90501211	1-65
90501261	2-139
90501262	2-139
90501263	2-233
90501264	2-233
90501289	2-151, 2-153, 2-155, 2-157, 2-159, 2-195, 2-213, 2-215, 2-217, 2-219
90501290	2-151, 2-153, 2-155, 2-157, 2-159, 2-195, 2-213, 2-215, 2-217, 2-219
90501329	2-162

Part Number Index



SAF-HOLLAND Group

PART NUMBER	PAGE NUMBER
90501330	2-162
90501350	2-117, 2-121, 2-127
90501351	2-117, 2-121, 2-127
90501379	2-171, 2-175, 2-179
90501380	2-171, 2-175, 2-179
90501425	2-145, 2-149
90501426	2-145, 2-149
90501427	1-19
90501439	1-19
90501447	2-167, 2-169, 2-173
90501448	2-167, 2-169, 2-173
90501462	2-141, 2-143, 2-147
90501463	2-141, 2-143, 2-147
90501539	1-73, 1-77, 1-79
90506028	1-5, 1-6
90506037	2-23, 2-33, 2-41, 2-49, 2-65, 2-90, 2-91
90508004	1-35, 1-39, 1-45, 1-57, 1-61, 1-93, 1-97, 1-101, 1-105, 1-109, 2-137, 2-139, 2-189, 2-191, 2-193, 2-195, 2-197, 2-199, 2-201, 2-203, 2-205, 2-207, 2-209, 2-211, 2-213, 2-215, 2-217, 2-219, 2-221, 2-223, 2-225, 2-227, 2-231, 2-233
90508012	1-9, 1-14
90508016	2-177
90508019	2-118, 2-122, 2-124, 2-127, 2-139, 2-141, 2-143, 2-145, 2-147, 2-149, 2-151, 2-153, 2-161, 2-162, 2-163, 2-164, 2-167, 2-169, 2-173, 2-175, 2-181, 2-195, 2-233
90508175	1-14
90508198	2-164
90510061	1-93, 1-101, 1-105
90510062	1-93, 1-101, 1-105
90510063	1-93, 1-101, 1-105
90510064	1-93, 1-101, 1-105
90510093	2-234
90510100	1-97
90510101	1-97
90510102	1-97
90510103	1-97
90510112	1-109
90510113	1-109
90510144	1-81
90510145	1-81
90515009	2-189, 2-240
90515010	2-189, 2-240
90515011	2-240
90515012	2-240
90515021	2-191, 2-241
90515022	2-191, 2-241
90515026	2-191, 2-241

PART NUMBER	PAGE NUMBER
90515027	2-191, 2-241
90515131	2-199, 2-243
90515132	2-199, 2-243
90515133	2-240
90515134	2-240
90515141	2-199, 2-243
90515142	2-199, 2-243
90515147	2-240
90515148	2-240
90515217	2-243
90515218	2-243
90515602	1-110, 2-244
90515603	1-110, 2-244
90515610	2-193, 2-241
90515611	2-193, 2-241
90515624	2-201
90515625	2-201
90515637	2-225
90515638	2-225
90515667	2-201
90515668	2-201
90515720	2-225
90515721	2-225
90515773	1-45, 1-111
90515785	2-227
90515786	2-227
90515857	2-197, 2-205, 2-207, 2-242
90515858	2-197, 2-205, 2-207, 2-242
90515859	2-205, 2-242
90515860	2-205, 2-242
90515867	2-227
90515868	2-227
90515896	2-242
90515897	2-242
90515898	2-242
90515899	2-242
90516000	2-199, 2-243
90516001	2-199, 2-243
90516004	2-243
90516005	2-243
90516006	2-243
90516007	2-243
90516008	2-199, 2-243
90516009	2-199, 2-243
90516010	2-243
90516011	2-243
90516054	2-197, 2-242
90516055	2-197, 2-242
90516074	2-203
90516075	2-203
90516078	2-203
90516079	2-203

PART NUMBER	PAGE NUMBER
90516092	2-229
90516093	2-229
90516096	2-229
90516097	2-229
90516102	2-231
90516103	2-231
90516106	2-231
90516107	2-231
90516112	2-213
90516113	2-213
90516151	1-35, 1-111
90516177	1-111
90516181	1-111
90516195	2-205, 2-242
90516196	2-205, 2-242
90516197	1-109, 1-110, 2-244
90516198	1-109, 1-110, 2-244
90516225	2-221
90516226	2-221
90516286	1-57, 1-61, 1-68
90516288	1-111
90516293	1-65, 1-68
90516295	2-221
90516335	1-101, 1-105, 1-110, 2-244
90516336	1-101, 1-105, 1-110, 2-244
90516337	1-101, 1-105, 1-110, 2-244
90516338	1-101, 1-105, 1-110, 2-244
90516341	1-101, 1-105, 1-110, 2-244
90516342	1-101, 1-105, 1-110, 2-244
90516343	1-93, 1-97, 1-110, 2-244
90516344	1-93, 1-97, 1-110, 2-244
90516345	1-93, 1-110, 2-244
90516346	1-93, 1-110, 2-244
90516349	1-93, 1-110, 2-244
90516350	1-93, 1-110, 2-244
90516352	1-57, 1-68
90516369	1-111
90516375	2-223
90516376	2-223
90516377	2-223
90516378	2-223
90516389	1-54
90516390	1-54
90516391	1-54
90516392	1-54
90516446	2-209
90516447	2-211, 2-242
90516448	2-211, 2-242
90516449	2-211, 2-242
90516450	2-242
90516468	1-57, 1-68
90516482	2-219

PART NUMBER	PAGE NUMBER
90516483	2-219
90516488	1-111
90516500	2-215, 2-217
90516501	2-215, 2-217
90516542	2-137, 2-139
90516543	2-137, 2-139
90516552	2-167, 2-169, 2-173, 2-233
90516553	2-167, 2-169, 2-173, 2-233
90516566	2-141
90516567	2-141
90516579	2-171
90516580	2-171
90516585	1-17
90516587	2-151, 2-153, 2-195
90516588	2-151, 2-153, 2-195
90516654	2-141
90516655	2-141
90516658	2-337
90516696	1-4
90516816	2-127
90516817	2-127
90516873	2-171, 2-175, 2-179
90516874	2-171, 2-175
90516884	2-177
90516885	2-177
90516892	2-177
90516893	2-177
90516945	2-117
90516946	2-117
90516949	2-155, 2-157, 2-159
90516950	2-155, 2-157, 2-159
90516991	2-121
90516992	2-121
90516999	2-143, 2-145, 2-147, 2-149
90517000	2-143, 2-145, 2-147, 2-149
90517034	2-179
90517035	2-179
90517091	1-91
90517092	1-91
90517255	1-77
90518008	2-189, 2-191, 2-193
90518009	2-189
90518011	2-189, 2-191, 2-193
90518027	2-191
90518036	2-235
90518038	2-236
90518065	2-199
90518078	2-199
90518081	2-199
90518201	2-237
90518301	2-189
90518319	1-93, 1-101, 1-105

PART NUMBER	PAGE NUMBER
90518320	1-93, 1-101, 1-105
90518321	1-93, 1-101, 1-105
90518322	1-93, 1-101, 1-105
90518335	1-39
90518336	1-39
90518367	2-236
90518427	2-229, 2-231
90518457	1-93
90518458	1-93
90518461	1-93, 1-109
90518462	1-93, 1-109
90518527	2-229
90518714	2-200, 2-221, 2-223, 2-238
90518716	2-200
90518719	2-200, 2-221, 2-223
90518720	2-200, 2-221, 2-223
90518721	2-200
90518722	2-200
90518723	2-201
90518726	2-201, 2-221, 2-225, 2-227
90518727	2-201, 2-221, 2-225, 2-227
90518728	2-201
90518747	2-236
90518748	2-236
90518751	2-201
90518752	2-201
90518753	2-201, 2-221, 2-225, 2-227
90518754	2-201, 2-221, 2-225, 2-227
90519009	2-197, 2-199
90519040	2-169, 2-171, 2-173, 2-177, 2-199, 2-205, 2-233
90519070	2-337
90519240	1-39
90519311	1-45
90519377	2-238
90519425	2-197, 2-205, 2-207, 2-211
90519609	2-335
90519610	2-335
90519692	2-203, 2-335
90519694	2-203
90519696	2-203, 2-335
90519700	2-203, 2-335
90519703	2-203
90519704	2-203, 2-335
90519705	2-203
90519710	2-169, 2-171, 2-173, 2-195, 2-213, 2-215, 2-217, 2-219, 2-233, 2-238, 2-239
90519712	2-171, 2-213, 2-215, 2-233, 2-238
90519714	2-197, 2-205, 2-211, 2-238
90519716	2-207, 2-238
90519718	2-238
90519730	2-235

PART NUMBER	PAGE NUMBER
90519733	1-35
90519749	2-203, 2-231
90519773	2-195, 2-213, 2-215, 2-217, 2-219, 2-233
90519808	2-237
90519809	2-205
90519810	2-205
90519811	1-109
90519812	1-109
90519984	2-238
90519985	2-224, 2-226, 2-228, 2-230, 2-238
90519986	2-224, 2-226, 2-228, 2-230, 2-238
90519987	2-224, 2-226, 2-228, 2-230, 2-238
90519993	1-101, 1-105
90519994	1-101, 1-105
90519995	1-101, 1-105
90519996	1-101, 1-105
90520151	2-197, 2-205, 2-211
90520152	2-197
90520153	2-197, 2-238
90520156	1-65
90520157	1-65
90520166	1-65
90520188	2-207
90520189	2-197
90520219	2-215, 2-238, 2-239
90520226	1-65
90520227	1-65
90520235	2-213, 2-215, 2-217, 2-219
90520245	1-49
90520246	1-49
90520258	1-65
90520276	2-167, 2-171, 2-209, 2-211
90520338	2-137, 2-165
90520340	2-137, 2-165
90520346	22-167, 2-171, 2-217, 2-219, 2-233, 2-238, 2-239
90520351	2-211, 2-238
90520352	2-211
90520363	2-137, 2-165
90520367	2-137, 2-165
90520383	2-155, 2-157, 2-164, 2-195, 2-217, 2-238
90520385	2-217, 2-238, 2-239
90520395	2-238, 2-239
90520404	1-65
90520405	1-65
90520406	1-65
90520438	2-165
90520439	2-165
90520440	2-165

Part Number Index



SAF-HOLLAND Group

PART NUMBER	PAGE NUMBER
90520441	2-165
90520464	2-139
90520465	2-139
90520468	2-139
90520473	2-139
90520561	2-139, 2-165
90520568	2-139, 2-165
90520636	2-195, 2-233
90520637	2-233
90520638	2-233
90520642	2-233
90520672	1-4
90520673	1-4
90520828	2-171, 2-195, 2-238, 2-239
90520830	2-337
90520831	2-233
90520834	2-238
90520839	2-195
90520843	2-139, 2-165
90520846	2-139, 2-141, 2-143, 2-165
90520856	2-139, 2-165
90520857	2-139, 2-165
90520858	2-139, 2-165
90520859	2-139, 2-143, 2-163, 2-165
90521006	2-167
90521045	2-167
90521047	2-169, 2-173
90521051	2-169, 2-173
90521059	2-167
90521124	2-167
90521141	2-141, 2-143, 2-147
90521142	2-141, 2-143, 2-147
90521143	2-141, 2-143, 2-147
90521144	2-153, 2-155, 2-157, 2-159, 2-164
90521145	2-151, 2-153, 2-155, 2-157, 2-159, 2-164
90521146	2-151, 2-153, 2-155, 2-157, 2-159, 2-164
90521147	2-141, 2-143, 2-147, 2-163
90521148	2-141, 2-143, 2-147, 2-163
90521149	2-141, 2-143, 2-147, 2-163, 2-167
90521150	2-153
90521151	2-151, 2-153, 2-164
90521152	2-151, 2-153, 2-164
90521158	2-167
90521159	2-167
90521162	2-167
90521295	2-171, 2-175, 2-179
90521296	2-171, 2-175
90521297	2-171, 2-175
90521298	2-171, 2-175

PART NUMBER	PAGE NUMBER
90521325	2-145, 2-149, 2-163
90521326	2-145, 2-149, 2-163
90521327	2-145, 2-149, 2-163
90521328	2-145, 2-149, 2-163
90521331	2-145, 2-149
90521377	2-145, 2-149, 2-163
90521378	2-145, 2-149, 2-163
90521379	2-145, 2-149
90521384	2-175, 2-179
90521385	2-175, 2-179
90521386	2-175, 2-179
90521387	2-175, 2-179
90521388	2-171, 2-175, 2-179
90521389	2-171, 2-175
90521390	2-171, 2-175, 2-179
90521391	2-171, 2-175
90521406	2-167
90521414	2-167
90521486	2-167
90521488	2-167
90521540	2-167, 2-169, 2-173
90521541	2-167, 2-169, 2-173
90521542	2-167, 2-169, 2-173
90521543	2-167
90521544	2-167
90521546	2-167, 2-169, 2-173
90521547	2-167, 2-169, 2-173
90521548	2-167, 2-169, 2-173
90521550	2-167
90521552	2-167
90521553	2-167
90521558	2-167
90521561	2-167
90521564	2-167
90521624	1-6
90521655	2-179
90521656	2-179
90521696	2-179
90521742	2-11, 2-17, 2-19, 2-29, 2-35, 2-39, 2-43, 2-47
90521743	2-11, 2-17, 2-19, 2-29, 2-35, 2-39, 2-43, 2-47
90521808	2-69, 2-73, 2-89, 2-95, 2-99, 2-105
90521809	2-69, 2-73, 2-89, 2-95, 2-99, 2-105
90521810	2-69, 2-73, 2-89, 2-95, 2-99, 2-105
90521811	2-69, 2-73, 2-89, 2-95, 2-99, 2-105
90521812	2-69, 2-73, 2-89, 2-95, 2-99, 2-105
90521813	2-69, 2-73, 2-89, 2-95, 2-99, 2-105

PART NUMBER	PAGE NUMBER
90521823	2-54, 2-60, 2-69, 2-73, 2-80, 2-89, 2-95, 2-105
90521824	2-54, 2-60, 2-69, 2-73, 2-80, 2-89, 2-95, 2-99, 2-105
90521825	2-54, 2-60, 2-69, 2-73, 2-80, 2-89, 2-95, 2-99, 2-105
90521826	2-55, 2-61, 2-69, 2-73, 2-81, 2-89, 2-95, 2-105
90521827	2-55, 2-61, 2-69, 2-73, 2-81, 2-89, 2-95, 2-99, 2-105
90521828	2-54, 2-61, 2-69, 2-73, 2-80, 2-89, 2-95, 2-99, 2-105
90521980	2-99
90521981	2-99
90521982	2-99
90522053	2-89
90522055	2-95
90522056	2-73, 2-89, 2-95
90522096	2-73, 2-89, 2-95, 2-105
90522097	2-73, 2-89, 2-95, 2-105
90522115	2-89, 2-105
90522116	2-89, 2-95, 2-99, 2-105
90522117	2-89, 2-95, 2-99, 2-105
90522118	2-89, 2-95, 2-99, 2-105
90522119	2-89, 2-95, 2-99, 2-105
90522120	2-89, 2-95, 2-99, 2-105
90522168	2-73, 2-77, 2-89, 2-95, 2-105, 2-109
90522169	2-73, 2-77, 2-89, 2-95, 2-105, 2-109
90522170	2-73, 2-77, 2-89, 2-95, 2-109
90522171	2-73, 2-77, 2-89, 2-109
90522180	2-89, 2-95, 2-99, 2-105
90522181	2-89, 2-95, 2-99, 2-105
90522182	2-89, 2-95, 2-99, 2-105
90522183	2-89, 2-95, 2-99, 2-105
90522184	2-89, 2-95, 2-99, 2-105
90522185	2-89, 2-95, 2-99, 2-105
90522200	2-89, 2-95, 2-99, 2-105
90522201	2-89, 2-95, 2-99, 2-105
90522202	2-89, 2-95, 2-99, 2-105
90522203	2-89, 2-95, 2-99, 2-105
90522236	2-99
90522238	2-69, 2-99, 2-105
90522265	2-73
90522275	2-73, 2-89
90522276	2-73, 2-89
90522285	2-99
90522286	2-99
90522289	1-27, 1-31
90522296	2-99
90522298	2-99
90522319	2-73
90522340	2-73, 2-89, 2-95
90522341	2-89, 2-95

PART NUMBER	PAGE NUMBER
90522342	2-73, 2-89, 2-95
90522343	2-73, 2-89, 2-95
90522347	2-69, 2-99
90522348	2-99
90522353	1-27, 1-31
90522355	1-27, 1-31
90522363	2-99
90522364	2-99
90522374	2-99
90522375	2-99
90522405	2-77, 2-109
90522406	2-77, 2-109
90522407	2-77
90522408	2-77, 2-109
90522410	2-77, 2-109
90522412	2-77, 2-109
90522414	2-77, 2-109
90522416	2-77
90522417	2-89, 2-95, 2-99, 2-105
90522418	2-89, 2-95, 2-99, 2-105
90522422	2-99
90522423	2-69, 2-99
90522431	2-109
90522432	2-109
90522438	2-77, 2-109
90522439	2-77, 2-109
90522440	1-73, 1-79
90522442	1-73, 1-79
90522444	1-73, 1-79
90522446	1-73, 1-79
90522450	2-109
90522451	2-109
90522471	2-95
90522472	2-95, 2-99
90522473	2-95
90522474	2-95
90522475	2-95, 2-99
90522476	2-95
90522477	2-73
90522519	2-73, 2-77, 2-89, 2-95, 2-105, 2-109
90522520	2-73, 2-77, 2-89, 2-95, 2-105, 2-109
90522819	1-73
90522822	1-73
90522823	1-73
90522825	1-73
90524664	2-229
90531001	1-9, 1-10, 1-31, 1-39, 1-57, 1-61
90531040	1-101, 1-105, 2-229, 2-231
90531136	1-65
90531245	2-141

PART NUMBER	PAGE NUMBER
90531246	2-141
90531262	2-151
90531263	2-151
90531273	1-4, 1-5
90531306	2-155
90531307	2-155
90531316	2-155, 2-157
90531317	2-155, 2-157
90531320	2-143
90531321	2-143
90531322	2-147
90531323	2-147
90531326	2-155
90531327	2-155
90531328	2-157
90531329	2-157
90531330	2-153
90531331	2-153
90531339	2-15, 2-17, 2-19, 2-27, 2-29, 2-37, 2-39, 2-45, 2-47, 2-53, 2-54, 2-56, 2-59, 2-60, 2-62, 2-67, 2-71, 2-75, 2-79, 2-80, 2-82, 2-87, 2-93, 2-97, 2-103, 2-107
90531347	1-91
90531399	1-73
90531400	1-73
90531403	1-73
90531404	1-73
90531407	1-73
90531408	1-73
90531411	1-73
90531412	1-73
90536006	1-8, 1-9, 1-10, 1-13
90536009	1-10
90538007	2-201, 2-221, 2-225, 2-227
90538008	2-201, 2-221, 2-225, 2-227
90538019	2-177
90538020	2-177
90538041	2-207
90544079	1-39
90544112	1-39
90544204	2-235
90544241	1-93, 1-101, 1-105
90544242	1-93, 1-101, 1-105
90544243	1-93, 1-101, 1-105
90544244	1-93, 1-101, 1-105
90544245	1-93, 1-101, 1-105
90544246	1-93, 1-101, 1-105
90544247	1-93, 1-101, 1-105
90544248	1-93, 1-101, 1-105
90544491	1-45
90544573	2-197, 2-199
90544615	2-197

PART NUMBER	PAGE NUMBER
90544617	1-57, 1-61
90544755	1-35
90544802	1-103
90544830	2-153, 2-159
90544831	2-153, 2-159
90544876	1-65
90545076	2-209
90545368	1-17
90545675	2-177
90545761	1-4
90546057	2-167, 2-169, 2-173
90546058	2-167, 2-169, 2-173
90546155	2-129
90546157	2-129
90546158	2-129
90546160	2-129
90546161	2-129
90546163	2-129
90546164	2-129
90546166	2-129
90546205	2-129
90546207	2-129
90546208	2-129
90546210	2-129
90546211	2-129
90546213	2-129
90546214	2-129
90546216	2-129
90546434	1-103
90546673	2-177
90546674	2-177
90546676	2-177
90546795	2-171, 2-175, 2-179
90546796	2-171, 2-175
90547800	1-19
90547801	1-19
90547853	2-179
90547854	2-179
90547932	2-128
90547934	2-128
90547936	2-128
90547938	2-128
90547940	2-128
90547941	2-128
90547944	2-128
90547945	2-128
90548007	2-15, 2-17, 2-19, 2-27, 2-29, 2-37, 2-39, 2-45, 2-47, 2-53, 2-54, 2-56, 2-59, 2-60, 2-62, 2-67, 2-71, 2-75, 2-79, 2-80, 2-82, 2-87, 2-93, 2-97, 2-103, 2-107
90548008	2-15, 2-19, 2-29, 2-39, 2-47
90548009	2-15, 2-19, 2-29, 2-39, 2-47

Part Number Index



SAF-HOLLAND Group

PART NUMBER	PAGE NUMBER
90548018	2-12
90548019	2-12
90548020	2-12
90548021	2-12
90548022	2-12
90548023	2-12
90548040	2-11, 2-25, 2-27, 2-35, 2-43, 2-127
90548065	2-12
90548066	2-12
90548067	2-12
90548068	2-12
90548096	2-15
90548097	2-15
90548516	1-19
90548517	1-19
90548535	2-22, 2-32, 2-40, 2-48, 2-64, 2-90
90548537	2-22, 2-32, 2-40, 2-48, 2-64, 2-90
90548992	1-25, 1-29
90548993	2-12
90548994	2-12
90548995	2-12
90548996	2-12
90548997	2-12
90549627	2-12
90549628	2-12
90549629	2-12
90549630	2-12
90549631	2-12
90549677	2-12
90549678	2-12
90549679	2-12
90549680	2-12
90549681	2-12
90549796	2-12
90549797	2-12
90549798	2-12
90549799	2-12
90549800	2-12
90549813	1-73
90549820	1-73
90549838	1-73
90549858	1-77
90549888	2-27, 2-43
90549897	2-25
90549900	2-25
90549905	2-35
90549906	2-27
90549910	1-73
90549956	2-25
90550180	1-77

PART NUMBER	PAGE NUMBER
90550181	1-77
90550190	2-35
90550193	2-35
90550196	2-35
90550200	2-43
90550203	2-43
90550206	2-43
90550256	2-43
90550260	1-73
90550262	1-73
90550292	2-22, 2-32, 2-40, 2-48, 2-64, 2-84, 2-91, 2-100
90550293	2-22, 2-32, 2-40, 2-48, 2-64, 2-84, 2-91, 2-100
90550320	2-43
90550326	1-77
90550327	1-77
90554107	2-20, 2-30, 2-57, 2-63, 2-83, 2-133
90557001	2-237
90557009	1-93, 1-101, 1-105, 2-189, 2-191, 2-207
90557014	2-235, 2-236
90557023	2-197, 2-199
90557027	1-39, 1-57, 1-93, 1-97, 1-101, 1-105, 1-109, 2-189, 2-191, 2-193
90557031	1-35, 1-57
90557070	1-45
90557077	2-189, 2-191, 2-201, 2-203, 2-221, 2-223, 2-225, 2-227, 2-229, 2-231
90557078	2-189, 2-191, 2-193, 2-201, 2-203, 2-205, 2-211
90557098	1-65
90557101	1-57
90557110	1-57, 1-61
90557111	2-159, 2-179, 2-209
90557112	2-171, 2-169, 2-173, 2-213, 2-233
90557113	2-205, 2-215
90557117	2-143, 2-145, 2-167, 2-169, 2-171, 2-173, 2-217, 2-219, 2-233
90557118	2-143, 2-145, 2-167, 2-217, 2-219
90557119	2-143, 2-167, 2-217, 2-219
90557120	2-137, 2-139
90557121	2-137, 2-139
90557123	1-49
90557124	2-167, 2-169, 2-173, 2-215
90557125	2-211
90557126	2-169, 2-171, 2-173, 2-233
90557127	2-137
90557129	2-197
90557130	2-215

PART NUMBER	PAGE NUMBER
90557131	2-215
90557139	2-137, 2-139
90557146	1-17
90557156	2-141, 2-147, 2-149
90557157	2-141, 2-147, 2-149
90557161	1-17
90557166	1-17
90557167	2-151, 2-153, 2-195
90557168	2-151, 2-195
90557173	2-139
90557185	2-155, 2-179
90557194	2-17, 2-118
90557208	1-17
90557223	2-118, 2-127, 2-133, 2-141, 2-143
90557225	2-118
90557235	2-171, 2-175, 2-177
90557243	2-171, 2-175, 2-177
90557259	2-155
90557260	2-155
90557271	2-122
90557272	2-122
90557273	2-122
90557283	2-157
90557290	1-19
90557330	2-53, 2-59, 2-79, 2-87
90557331	2-53, 2-59, 2-79, 2-87
90557346	1-91
90557366	2-22, 2-32, 2-40, 2-48, 2-64, 2-90
90557368	1-27
90557369	2-53, 2-59, 2-71, 2-79, 2-87, 2-111
90557372	2-17
90557373	2-71
90557376	2-93, 2-103
90557377	2-75, 2-93, 2-103, 2-107, 2-111
90557392	1-31
90557395	1-27
90557397	2-67
90557398	2-67
90557399	2-67
90557403	2-71, 2-75, 2-111
90557404	2-71, 2-75, 2-107
90557409	2-97
90557410	2-97
90557417	1-73
90557419	2-27
90557421	2-27
90557736	1-19
90557428	2-37
90557431	2-45
90560012	2-25

PART NUMBER	PAGE NUMBER
90560124	2-25
90560150	2-20, 2-30, 2-57, 2-63, 2-83
90560163	1-88
90560166	1-85
90560168	1-85
90560169	1-85
90560171	1-87
90560180	1-89
90566000	1-73, 1-79
90566001	1-73
90566002	1-73
90566003	1-73
90570000	1-73
90570004	1-73
90570005	1-73
90570009	1-75
90570010	1-75
90570011	1-75
90570012	1-77
90570013	1-77
91001002	2-279
91001022	2-285, 2-289
91001023	2-333
91001034	2-329, 2-331
91001038	2-293, 2-295, 2-297, 2-299, 2-301, 2-305
91001040	2-331, 2-333
91001044	2-285, 2-287, 2-289
91001047	2-285, 2-287, 2-289
91001049	2-285, 2-302
91001050	2-293, 2-295, 2-297, 2-299, 2-301, 2-305
91001051	2-285, 2-287, 2-289, 2-293, 2-295, 2-297
91001054	2-285, 2-287, 2-293, 2-295, 2-297, 2-299, 2-301, 2-305, 2-307
91001055	2-285, 2-287, 2-289, 2-293, 2-295, 2-297, 2-299, 2-301
91001056	2-285, 2-287, 2-289, 2-293, 2-295, 2-297, 2-299, 2-301
91001058	2-285, 2-287, 2-289, 2-293, 2-295, 2-297, 2-299, 2-301
91001062	2-309, 2-311, 2-313, 2-315, 2-317, 2-319, 2-321, 2-323, 2-325, 2-327
91001069	2-291, 2-297, 2-301, 2-303
91001069	2-315, 2-321, 2-325, 2-327
91001070	2-309, 2-311, 2-313, 2-315, 2-317, 2-319, 2-321, 2-323, 2-325, 2-327
91001071	2-315, 2-321, 2-325, 2-327
91001072	2-309, 2-313, 2-315, 2-319, 2-321, 2-325, 2-327
91001073	2-275, 2-277, 2-313, 2-319, 2-325, 2-327

PART NUMBER	PAGE NUMBER
91001074	2-315, 2-321, 2-325, 2-327
91001075	2-275, 2-277, 2-281, 2-309, 2-313, 2-315, 2-319, 2-321, 2-325, 2-327
91001076	2-315, 2-321
91001077	2-309, 2-311, 2-313, 2-315, 2-317, 2-319, 2-321, 2-323, 2-325, 2-327
91001078	2-309, 2-311, 2-313, 2-315, 2-317, 2-319, 2-321, 2-323, 2-325, 2-327
91001080	2-279
91001084	2-291
91001086	2-291
91001087	2-291
91001089	2-275, 2-277, 2-281
91001094	2-279
91001103	2-307
91001120	2-275, 2-277, 2-279
91001122	2-313, 2-319, 2-325, 2-327
91001123	2-313, 2-319, 2-325
91001124	2-313, 2-319, 2-325, 2-327
91001136	2-327
91001139	2-325, 2-327
91001181	2-295, 2-297, 2-305
91001182	2-295, 2-297, 2-305
91001188	2-295, 2-297, 2-305
91001214	2-335
91008006	2-325, 2-327
91008007	2-281, 2-329, 2-331, 2-333
91008014	2-331, 2-333
91008022	2-285, 2-287, 2-289, 2-293, 2-295, 2-297, 2-299, 2-301, 2-303, 2-305, 2-307
91008024	2-279
91008032	2-309, 2-311, 2-313, 2-315, 2-317, 2-319, 2-321, 2-323, 2-325, 2-327
91008033	2-325, 2-327
91008036	2-291
91008037	2-321, 2-323
91008112	2-275, 2-277, 2-279, 2-282, 2-283
91010020	2-279
91010021	2-285, 2-287, 2-293, 2-295, 2-297, 2-299, 2-301
91010031	2-331, 2-333
91010032	2-307
91010033	2-293, 2-299, 2-301
91010034	2-293, 2-299, 2-301
91010038	2-287, 2-289
91010041	2-293, 2-295, 2-297, 2-299, 2-301, 2-305
91010043	2-285, 2-287
91010047	2-285, 2-287, 2-289, 2-293, 2-295, 2-297, 2-299, 2-301

PART NUMBER	PAGE NUMBER
91010054	2-309, 2-311, 2-313, 2-315, 2-317, 2-319, 2-321, 2-323, 2-325, 2-327
91010057	2-321, 2-323, 2-325, 2-327
91010058	2-279
91010059	2-275, 2-277, 2-279
91010060	2-275, 2-277, 2-281
91010061	2-279
91010062	2-279
91010063	2-279
91010065	2-291
91010066	2-291
91010089	2-305, 2-307
91010093	2-275, 2-277
91010096	2-313, 2-319, 2-327
91010098	2-331, 2-333
91010100	2-325
91010103	2-329, 2-331, 2-333
91010108	2-275, 2-277, 2-281, 2-309, 2-311, 2-313, 2-315, 2-317, 2-319, 2-321, 2-323, 2-325, 2-327
91010113	2-291
91010130	2-295, 2-297, 2-305
91010145	2-307
91010157	2-275, 2-277, 2-281
91010158	2-291
91015015	2-275, 2-277, 2-279
91015025	2-307
91018000	2-329
91018002	2-329, 2-331
91018003	2-331
91018004	2-329, 2-331
91018005	2-281, 2-333
91018006	2-333
91018008	2-285, 2-287, 2-289, 2-293, 2-295, 2-297
91018009	2-309, 2-313, 2-315, 2-317, 2-319, 2-321, 2-323, 2-325, 2-327
91018010	2-309, 2-313, 2-315, 2-317, 2-319, 2-321, 2-323, 2-325, 2-327
91018011	2-309, 2-311, 2-313, 2-315, 2-317, 2-319, 2-321, 2-323, 2-325, 2-327
91018012	2-309, 2-311, 2-313, 2-315, 2-317, 2-319, 2-321, 2-323, 2-325, 2-327
91018013	2-309, 2-311, 2-313
91018014	2-309, 2-311, 2-313
91018015	2-309, 2-311, 2-313
91018016	2-309, 2-313, 2-315, 2-317, 2-319, 2-321, 2-323, 2-325, 2-327
91018017	2-309, 2-313, 2-315, 2-317, 2-319, 2-321, 2-323, 2-325, 2-327

Part Number Index



SAF-HOLLAND Group

PART NUMBER	PAGE NUMBER
91018023	2-321, 2-323, 2-325, 2-327
91018024	2-321, 2-323, 2-325, 2-327
91018025	2-321, 2-323, 2-325, 2-327
91018027	2-291
91018036	2-329, 2-331
91018039	2-275, 2-277
91023001	2-331, 2-333
91023002	2-331, 2-333
91023003	2-331, 2-333
91023004	2-331, 2-333
91023005	2-331, 2-333
91023006	2-331
91023007	2-331, 2-333
91023008	2-333
91023009	2-333
91023026	2-299
91023027	2-299, 2-301
91023028	2-299, 2-301
91023029	2-301
91023030	2-301
91023056	2-305
91023057	2-285, 2-287, 2-289, 2-293, 2-295
91023307	2-331
91028010	2-331, 2-333
91028023	2-331, 2-333
91028028	2-331
91028039	2-279
91028040	2-279
91028051	2-275, 2-277, 2-279, 2-281, 2-282
91028053	2-275, 2-277, 2-279, 2-283
91028057	2-291
91028075	2-279, 2-281
91028089	2-275, 2-277, 2-279, 2-281, 2-282, 2-283, 2-287, 2-293, 2-299
91028152	2-285, 2-287, 2-289, 2-292, 2-295, 2-297, 2-299, 2-301, 2-302
91028153	2-305, 2-307
91031001	2-325, 2-327
91031054	2-279
91031055	2-291
91031058	2-307
91031570	2-285
91031571	2-295, 2-297
91031576	2-295, 2-297
91031659	2-335, 2-337
91031663	2-337
91036001	2-279, 2-282, 2-283
91036007	2-307
91036008	2-305
91036010	2-279

PART NUMBER	PAGE NUMBER
91036078	2-275, 2-277, 2-279, 2-281
91036083	2-321, 2-323, 2-325, 2-327
91036092	2-331
91036100	2-309, 2-311, 2-313, 2-329, 2-333
91038001	2-299, 2-301
91038003	2-287, 2-293, 2-295, 2-299, 2-301, 2-305
91038004	2-285, 2-287, 2-289, 2-293, 2-295, 2-297, 2-299, 2-301, 2-305, 2-307
91038091	2-333
91038210	2-331, 2-333
91038290	2-275, 2-277, 2-279
91038418	2-291
91038475	2-275, 2-277
91042111	2-327
91044007	2-309, 2-311, 2-313, 2-315, 2-317, 2-319, 2-321, 2-323, 2-325, 2-327
91044101	2-335, 2-337
91044102	2-335
91058580	2-335, 2-337
91501008	2-308
91501011	2-275, 2-277
91501035	2-299
91501036	2-299, 2-301
91501037	2-299, 2-301
91501038	2-301
91501039	2-301
91501044	2-307
91501063	2-285
91501065	2-335
91501066	2-335
91501067	2-335
91506002	2-333
91506003	2-281
91515001	2-331
91515002	2-333
91515006	2-321, 2-323, 2-325, 2-327
91515011	2-275, 2-277, 2-279
91515108	2-305
91515123	2-277
91515137	2-335
91515142	2-335
91518005	2-331
91518006	2-331
91518007	2-331
91518013	2-333
91518014	2-333
91518015	2-333
91518016	2-333
91518040	2-275, 2-277
91518041	2-275, 2-277

PART NUMBER	PAGE NUMBER
91518050	2-329
91518051	2-329
91518052	2-329
91518053	2-329
91518076	2-331
91544001	2-329, 2-331
91544002	2-281, 2-329, 2-331, 2-333
91544003	2-281, 2-329, 2-331, 2-333
91544137	2-275, 2-277
91544138	2-275, 2-277
91544147	2-275, 2-277
91544149	2-281
91544167	2-277
91544183	2-335, 2-337
91557005	2-309, 2-311, 2-321, 2-323
91557007	2-313, 2-325
91557009	2-313, 2-327
91557011	2-315, 2-317
91557016	2-293, 2-299
91557017	2-293, 2-299
91557018	2-293, 2-301
91557019	2-293, 2-301
91557020	2-301
91557021	2-301
91557100	2-305
91557122	2-307
91557136	2-305
91557152	2-329, 2-331
91557153	2-329, 2-331
91557154	2-331
91557172	2-275, 2-279
91557194	2-319
91557195	2-319
91557200	2-333
91557244	2-291
91557245	2-291
91557270	2-291
91557271	2-295
91557272	2-295
91557273	2-285, 2-297
91557277	2-285, 2-297
91557288	2-277
91557293	2-285, 2-297
93000031	2-237
93002353	1-49
93002355	1-50
93002459	1-73, 1-77, 1-79
93002463	1-73, 1-75, 1-77
93002469	1-85
93002571	2-157, 2-171, 2-175, 2-177
93002573	1-73, 1-81
93002577	1-103
93002685	1-85

PART NUMBER	PAGE NUMBER
93002811	2-299, 2-301
93002893	1-9, 1-10, 1-35, 1-39, 1-57, 1-61, 1-65, 1-93, 1-97, 1-101, 1-105, 1-109, 2-155, 2-157, 2-159, 2-179, 2-189, 2-191, 2-193, 2-201, 2-203, 2-205, 2-209, 2-211, 2-215, 2-221, 2-225, 2-227, 2-229
93002901	1-4
93002905	2-223, 2-231
93002907	1-73
93002921	2-281, 2-329, 2-331, 2-333
93002937	1-73
93002961	1-10
93003003	2-309, 2-311, 2-313, 2-329, 2-331, 2-333
93003017	2-323, 2-325, 2-327
93003039	2-207
93003345	2-275, 2-281, 2-285, 2-287, 2-289, 2-293, 2-295, 2-297, 2-299, 2-301, 2-302, 2-305, 2-307, 2-321, 2-323, 2-325, 2-327
93003347	1-5, 1-6, 2-277
93003348	1-73, 1-81
93003359	2-285, 2-302, 2-309, 2-311, 2-313, 2-315, 2-317, 2-319, 2-321, 2-323, 2-325, 2-327
93003363	1-6
93003365	1-5, 2-285
93003377	1-5, 1-6
93003387	2-275, 2-277, 2-282
93003389	2-191, 2-193
93003395	2-189
93003465	2-305
93003563	1-79
93003569	1-73
93003575	1-5, 1-6, 2-209, 2-279, 2-281, 2-293, 2-295, 2-297, 2-299, 2-301, 2-305, 2-307, 2-331, 2-333
93003579	2-275, 2-283
93003581	1-77
93003585	1-4, 2-75, 2-107, 2-277, 2-279, 2-282, 2-291
93003591	1-8, 1-9
93003593	1-5
93003597	1-27, 1-31, 1-35, 1-39, 1-45, 1-57, 1-61, 1-65, 1-93, 1-97, 1-101, 1-105, 1-109, 2-118, 2-122, 2-127, 2-137, 2-139, 2-141, 2-143, 2-145, 2-147, 2-149, 2-151, 2-153, 2-155, 2-157, 2-159, 2-167, 2-169, 2-171, 2-173, 2-175, 2-177, 2-179, 2-189, 2-191, 2-195, 2-197, 2-203, 2-205, 2-207, 2-209, 2-211, 2-213, 2-215, 2-217, 2-219, 2-223, 2-229, 2-231, 2-233, 2-335, 2-337
93003599	1-19, 2-299

PART NUMBER	PAGE NUMBER
93003603	1-4, 1-10, 1-17, 1-49, 2-201, 2-221, 2-225, 2-227
93003605	1-5
93003609	1-73, 2-139, 2-141, 2-143, 2-145, 2-147, 2-149, 2-151, 2-153, 2-155, 2-157, 2-159, 2-167, 2-169, 2-171, 2-173, 2-175, 2-177, 2-179, 2-195, 2-197, 2-205, 2-207, 2-213, 2-215, 2-217, 2-219, 2-233
93003615	1-8, 1-9
93003617	1-5, 1-73, 1-77, 1-91
93003621	2-275, 2-277, 2-285, 2-287, 2-289, 2-293, 2-295, 2-297, 2-299, 2-301, 2-305
93003627	1-27, 1-31
93003633	1-49, 2-118, 2-122, 2-128, 2-189, 2-191, 2-193, 2-205, 2-307
93003635	2-281
93003645	1-10, 1-93, 1-97, 1-101, 1-105
93003647	1-5
93003657	2-235, 2-236, 2-277, 2-279, 2-281
93003659	1-73, 1-77, 1-79, 1-81
93003663	1-27, 1-31
93003671	1-73, 1-77, 1-79, 1-81, 2-75, 2-107
93003677	1-81
93003681	1-35, 1-39, 1-40
93003683	1-77, 1-79
93003693	1-8, 1-9, 1-14, 1-39, 1-41, 1-46, 1-57, 1-58, 1-61, 1-62, 1-65, 1-66
93003705	1-10, 1-14
93003743	1-73, 1-81
93003831	1-4, 1-17, 1-49
93003833	1-19, 1-20
93003905	1-17, 1-49, 1-51
93003941	2-275, 2-277, 2-279, 2-281, 2-282, 2-283
93004239	2-275, 2-279, 2-281, 2-282
93004241	2-277
93004251	2-275, 2-279, 2-283
93004253	2-277
93004277	1-27, 1-31, 1-32
93004301	1-8, 1-9, 1-14, 1-25, 1-29, 1-33
93004313	1-5
93004323	2-307
93004517	1-19, 1-20
93004529	1-17
93004553	1-17
93006035	2-15, 2-17, 2-27, 2-37, 2-45, 2-53, 2-59, 2-67, 2-71, 2-79, 2-87, 2-93, 2-97, 2-103, 2-111
93006037	1-27, 1-31, 1-32

PART NUMBER	PAGE NUMBER
93006039	2-22, 2-23, 2-32, 2-33, 2-40, 2-41, 2-48, 2-49, 2-64, 2-65, 2-90, 2-91
93006041	1-27, 1-31, 1-32
93006046	1-73, 1-79
93200047	2-329, 2-331
93200079	2-309, 2-311, 2-313, 2-315, 2-317, 2-319, 2-321, 2-323, 2-325
93200132	1-39, 1-41
93200754	2-189
93201030	1-39, 1-42
93201045	2-199, 2-335
93201049	1-45
93201051	1-91, 2-117, 2-121, 2-124, 2-127, 2-137, 2-139, 2-141, 2-143, 2-145, 2-147, 2-149, 2-151, 2-153, 2-155, 2-157, 2-159, 2-161, 2-162, 2-167, 2-169, 2-171, 2-172, 2-173, 2-175, 2-177, 2-179, 2-181, 2-195, 2-213, 2-215, 2-217, 2-219, 2-233, 2-275, 2-277, 2-282, 2-337
93201053	2-111, 2-114, 2-209
93201055	1-8, 1-9, 1-13, 1-35, 1-36, 1-37, 1-39, 1-42, 1-43, 1-47, 1-57, 1-59, 1-61, 1-63, 1-65, 1-67, 1-93, 1-95, 1-97, 1-99, 1-101, 1-103, 1-105, 1-107, 1-109, 2-137, 2-139, 2-141, 2-143, 2-161, 2-162, 2-167, 2-169, 2-171, 2-173, 2-175, 2-179, 2-181, 2-195, 2-197, 2-201, 2-203, 2-205, 2-207, 2-211, 2-213, 2-215, 2-217, 2-219, 2-221, 2-223, 2-225, 2-227, 2-229, 2-231, 2-233, 2-337
93201064	2-177
93201068	1-10, 1-13
93201069	2-124, 2-141, 2-143, 2-145, 2-147, 2-149, 2-151, 2-153, 2-155, 2-157, 2-159, 2-161, 2-162, 2-164, 2-167, 2-169, 2-173, 2-179, 2-181
93201070	2-15, 2-17, 2-19, 2-27, 2-29, 2-37, 2-39, 2-45, 2-47, 2-53, 2-54, 2-55, 2-56, 2-59, 2-60, 2-61, 2-62, 2-67, 2-71, 2-75, 2-79, 2-80, 2-81, 2-82, 2-87, 2-93, 2-97, 2-103, 2-107
93201072	2-23, 2-33, 2-41, 2-49, 2-55, 2-65, 2-90, 2-91
93400036	2-281, 2-329, 2-331, 2-333
93400060	1-49, 1-50
93400079	2-327
93400120	2-25
93400128	1-103

PART NUMBER	PAGE NUMBER
93400136	1-4, 1-5, 1-8, 1-9, 1-10, 1-17, 1-19, 1-27, 1-31, 1-35, 1-39, 1-45, 1-57, 1-61, 1-65, 1-91, 1-93, 1-97, 1-101, 1-105, 1-109, 2-15, 2-19, 2-29, 2-37, 2-39, 2-47, 2-53, 2-54, 2-56, 2-59, 2-60, 2-62, 2-79, 2-80, 2-82, 2-87, 2-118, 2-122, 2-127, 2-137, 2-139, 2-141, 2-143, 2-145, 2-147, 2-149, 2-151, 2-153, 2-155, 2-159, 2-167, 2-169, 2-171, 2-173, 2-175, 2-177, 2-179, 2-189, 2-191, 2-193, 2-195, 2-197, 2-199, 2-201, 2-203, 2-205, 2-207, 2-209, 2-211, 2-213, 2-215, 2-217, 2-219, 2-221, 2-223, 2-225, 2-227, 2-229, 2-231, 2-233, 2-235, 2-236, 2-237
	1-45, 1-49, 1-93, 1-97, 1-101, 1-105, 1-109, 2-15, 2-17, 2-19, 2-27, 2-37, 2-39, 2-45, 2-47, 2-53, 2-59, 2-67, 2-71, 2-75, 2-79, 2-87, 2-93, 2-97, 2-103, 2-107, 2-111, 2-118, 2-122, 2-127, 2-137, 2-139, 2-141, 2-143, 2-145, 2-147, 2-149, 2-151, 2-153, 2-155, 2-157, 2-159, 2-167, 2-169, 2-171, 2-173, 2-175, 2-177, 2-179, 2-189, 2-191, 2-193, 2-195, 2-197, 2-199, 2-201, 2-203, 2-205, 2-207, 2-209, 2-211, 2-213, 2-215, 2-217, 2-219, 2-221, 2-223, 2-225, 2-227, 2-229, 2-231, 2-233, 2-235, 2-236, 2-237
93400149	1-45, 1-49, 1-93, 1-97, 1-101, 1-105, 1-109, 2-15, 2-17, 2-19, 2-27, 2-37, 2-39, 2-45, 2-47, 2-53, 2-59, 2-67, 2-71, 2-75, 2-79, 2-87, 2-93, 2-97, 2-103, 2-107, 2-111, 2-118, 2-122, 2-127, 2-137, 2-139, 2-141, 2-143, 2-145, 2-147, 2-149, 2-151, 2-153, 2-155, 2-157, 2-159, 2-167, 2-169, 2-171, 2-173, 2-175, 2-177, 2-179, 2-189, 2-191, 2-193, 2-195, 2-197, 2-199, 2-201, 2-203, 2-205, 2-207, 2-209, 2-211, 2-213, 2-215, 2-217, 2-219, 2-221, 2-223, 2-225, 2-227, 2-229, 2-231, 2-233, 2-235, 2-236, 2-237
93400150	1-91
93400268	2-309, 2-311, 2-313, 2-315, 2-317, 2-319, 2-321, 2-323, 2-325, 2-327
93400271	1-73, 1-77
93400284	2-281, 2-329, 2-331, 2-333
93400367	2-118, 2-122, 2-128, 2-139, 2-141, 2-143, 2-147, 2-151, 2-153, 2-155, 2-157, 2-159, 2-167, 2-169, 2-171, 2-173, 2-175, 2-177, 2-179, 2-195, 2-197, 2-199, 2-201, 2-203, 2-205, 2-207, 2-211, 2-213, 2-215, 2-217, 2-219, 2-221, 2-223, 2-225, 2-227, 2-229, 2-231, 2-233
	2-118, 2-122, 2-128, 2-139, 2-141, 2-143, 2-147, 2-151, 2-153, 2-155, 2-157, 2-159, 2-167, 2-169, 2-171, 2-173, 2-175, 2-177, 2-179, 2-195, 2-197, 2-199, 2-201, 2-203, 2-205, 2-207, 2-211, 2-213, 2-215, 2-217, 2-219, 2-221, 2-223, 2-225, 2-227, 2-229, 2-231, 2-233
93400417	1-4, 1-5, 1-9, 1-10, 1-27, 1-31, 1-35, 1-39, 1-57, 1-61, 1-65, 1-91
93400468	1-85
93400472	2-127
93400476	1-85, 2-299, 2-301

PART NUMBER	PAGE NUMBER
93400480	1-73, 2-315, 2-317, 2-319, 2-329
93400482	2-287, 2-327, 2-331, 2-333, 2-335, 2-337, 2-339
93400488	1-6, 2-281, 2-285, 2-287, 2-288, 2-305, 2-307, 2-311, 2-313, 2-321, 2-327, 2-331, 2-333
	1-5, 1-6, 2-189, 2-191, 2-193, 2-237, 2-283, 2-291, 2-293, 2-295, 2-299, 2-301, 2-303, 2-308, 2-315, 2-317, 2-319, 2-323, 2-325, 2-329
93400490	1-5, 1-6, 2-189, 2-191, 2-193, 2-237, 2-283, 2-291, 2-293, 2-295, 2-299, 2-301, 2-303, 2-308, 2-315, 2-317, 2-319, 2-323, 2-325, 2-329
93400491	1-73, 1-81
93400492	1-5, 1-8, 1-9, 1-10, 1-14, 1-17, 1-35, 1-39, 1-40, 1-41, 1-45, 1-46, 1-49, 1-57, 1-58, 1-61, 1-62, 1-65, 1-66, 1-93, 1-97, 1-101, 1-105, 1-109, 2-15, 2-17, 2-27, 2-37, 2-45, 2-53, 2-59, 2-67, 2-71, 2-75, 2-79, 2-87, 2-93, 2-97, 2-103, 2-107, 2-111, 2-118, 2-122, 2-127, 2-137, 2-139, 2-141, 2-143, 2-145, 2-147, 2-149, 2-151, 2-153, 2-155, 2-157, 2-159, 2-167, 2-169, 2-171, 2-173, 2-175, 2-177, 2-179, 2-189, 2-191, 2-193, 2-195, 2-197, 2-199, 2-201, 2-203, 2-205, 2-207, 2-209, 2-211, 2-213, 2-215, 2-217, 2-219, 2-221, 2-223, 2-225, 2-227, 2-229, 2-231, 2-233, 2-235, 2-236, 2-237, 2-287, 2-289, 2-293, 2-295, 2-297, 2-299, 2-305, 2-307, 2-311, 2-313, 2-337, 2-339, 2-341, 2-343
	1-4, 1-5, 1-6, 1-19, 1-25, 1-29, 1-73, 1-77, 1-79, 1-81, 2-277, 2-279, 2-282, 2-285, 2-295, 2-297
93400494	1-4, 1-5, 1-6, 1-19, 1-25, 1-29, 1-73, 1-77, 1-79, 1-81, 2-277, 2-279, 2-282, 2-285, 2-295, 2-297
93400496	1-4, 2-189, 2-309, 2-311, 2-313, 2-317, 2-319, 2-323
93400498	1-17, 1-19, 1-20, 1-49, 1-50, 1-51, 2-171, 2-175, 2-177, 2-179, 2-275, 2-277, 2-279, 2-281, 2-282, 2-283, 2-291, 2-315, 2-321, 2-325, 2-327, 2-329, 2-331, 2-333
	1-17, 1-19, 1-20, 1-49, 1-50, 1-51, 2-171, 2-175, 2-177, 2-179, 2-275, 2-277, 2-279, 2-281, 2-282, 2-283, 2-291, 2-315, 2-321, 2-325, 2-327, 2-329, 2-331, 2-333
93400500	1-4, 1-6, 2-137
93400502	1-5, 1-8, 1-9, 1-14, 1-25, 1-29, 1-32, 1-33, 1-93, 1-94, 1-95, 1-97, 1-98, 1-101, 1-102, 1-103, 1-105, 1-106, 1-107, 1-109, 2-191, 2-193, 2-197, 2-199, 2-201, 2-203, 2-205, 2-207, 2-209, 2-211, 2-221, 2-223, 2-225, 2-227, 2-229, 2-231, 2-234, 2-281, 2-283, 2-285, 2-287, 2-288, 2-289, 2-299, 2-301, 2-303, 2-305, 2-307, 2-311, 2-313
	1-5, 1-8, 1-9, 1-14, 1-25, 1-29, 1-32, 1-33, 1-93, 1-94, 1-95, 1-97, 1-98, 1-101, 1-102, 1-103, 1-105, 1-106, 1-107, 1-109, 2-191, 2-193, 2-197, 2-199, 2-201, 2-203, 2-205, 2-207, 2-209, 2-211, 2-221, 2-223, 2-225, 2-227, 2-229, 2-231, 2-234, 2-281, 2-283, 2-285, 2-287, 2-288, 2-289, 2-299, 2-301, 2-303, 2-305, 2-307, 2-311, 2-313

PART NUMBER	PAGE NUMBER
93400506	1-8, 1-9, 1-13, 1-17, 1-19, 1-20, 1-27, 1-31, 1-32, 1-35, 1-36, 1-37, 1-39, 1-42, 1-43, 1-45, 1-47, 1-57, 1-59, 1-61, 1-63, 1-65, 1-67, 1-91, 1-93, 1-95, 1-97, 1-99, 1-101, 1-103, 1-105, 1-107, 1-109, 2-15, 2-17, 2-19, 2-23, 2-27, 2-29, 2-33, 2-37, 2-39, 2-41, 2-45, 2-47, 2-49, 2-53, 2-54, 2-55, 2-56, 2-59, 2-60, 2-61, 2-62, 2-65, 2-67, 2-71, 2-75, 2-79, 2-80, 2-81, 2-82, 2-87, 2-90, 2-91, 2-93, 2-97, 2-103, 2-107, 2-111, 2-114, 2-117, 2-121, 2-124, 2-127, 2-137, 2-139, 2-141, 2-143, 2-145, 2-147, 2-149, 2-151, 2-153, 2-155, 2-157, 2-159, 2-161, 2-162, 2-163, 2-164, 2-167, 2-169, 2-171, 2-172, 2-173, 2-175, 2-177, 2-179, 2-181, 2-195, 2-197, 2-199, 2-201, 2-203, 2-205, 2-207, 2-209, 2-211, 2-213, 2-215, 2-217, 2-219, 2-221, 2-223, 2-225, 2-227, 2-229, 2-231, 2-233, 2-281, 2-283, 2-288, 2-289, 2-291, 2-293, 2-299, 2-301, 2-303, 2-305, 2-307, 2-309, 2-311, 2-313, 2-341, 2-343
	1-8, 1-9, 1-13, 1-17, 1-19, 1-20, 1-27, 1-31, 1-32, 1-35, 1-36, 1-37, 1-39, 1-42, 1-43, 1-45, 1-47, 1-57, 1-59, 1-61, 1-63, 1-65, 1-67, 1-91, 1-93, 1-95, 1-97, 1-99, 1-101, 1-103, 1-105, 1-107, 1-109, 2-15, 2-17, 2-19, 2-23, 2-27, 2-29, 2-33, 2-37, 2-39, 2-41, 2-45, 2-47, 2-49, 2-53, 2-54, 2-55, 2-56, 2-59, 2-60, 2-61, 2-62, 2-65, 2-67, 2-71, 2-75, 2-79, 2-80, 2-81, 2-82, 2-87, 2-90, 2-91, 2-93, 2-97, 2-103, 2-107, 2-111, 2-114, 2-117, 2-121, 2-124, 2-127, 2-137, 2-139, 2-141, 2-143, 2-145, 2-147, 2-149, 2-151, 2-153, 2-155, 2-157, 2-159, 2-161, 2-162, 2-163, 2-164, 2-167, 2-169, 2-171, 2-172, 2-173, 2-175, 2-177, 2-179, 2-181, 2-195, 2-197, 2-199, 2-201, 2-203, 2-205, 2-207, 2-209, 2-211, 2-213, 2-215, 2-217, 2-219, 2-221, 2-223, 2-225, 2-227, 2-229, 2-231, 2-233, 2-281, 2-283, 2-288, 2-289, 2-291, 2-293, 2-299, 2-301, 2-303, 2-305, 2-307, 2-309, 2-311, 2-313, 2-341, 2-343
93400510	1-10, 1-13
93400511	1-17, 1-35, 1-36, 1-39, 1-40, 1-41, 1-42, 1-46
93400512	1-36, 1-40, 1-46, 1-58, 1-62, 1-66
93400518	2-291
93400541	2-237
93400553	1-39, 1-65, 2-167, 2-199
93400569	2-281, 2-329, 2-331, 2-333
93400603	1-57, 1-61, 1-65
93400604	1-103
93400607	1-8, 1-9, 1-10, 1-13
93400623	2-15, 2-17, 2-19, 2-22, 2-23, 2-27, 2-32, 2-33, 2-37, 2-39, 2-40, 2-41, 2-45, 2-47, 2-48, 2-49, 2-53, 2-59, 2-64, 2-65, 2-67, 2-71, 2-75, 2-79, 2-87, 2-90, 2-91, 2-93, 2-97, 2-103, 2-107, 2-111
	2-15, 2-17, 2-19, 2-22, 2-23, 2-27, 2-32, 2-33, 2-37, 2-39, 2-40, 2-41, 2-45, 2-47, 2-48, 2-49, 2-53, 2-59, 2-64, 2-65, 2-67, 2-71, 2-75, 2-79, 2-87, 2-90, 2-91, 2-93, 2-97, 2-103, 2-107, 2-111
93400631	1-73, 1-77
93403657	2-275
93600002	2-331, 2-333
93600003	2-331, 2-333
93600005	1-93, 1-97, 1-101, 1-105, 1-109, 2-279, 2-281, 2-307
93600028	1-94, 1-95, 1-97, 1-98, 1-102, 1-103, 1-106, 1-107, 2-191, 2-193, 2-335
93600029	2-335
93600030	2-307
93600035	2-189, 2-191, 2-193, 2-277
93600041	2-25
93600043	1-73, 1-75, 1-77, 1-79

PART NUMBER	PAGE NUMBER
93600045	1-73, 1-81
93600049	1-73
93600069	2-157
93600072	1-4, 1-5, 1-8, 1-9, 1-10, 1-17, 1-19, 1-27, 1-31, 1-35, 1-39, 1-45, 1-57, 1-61, 1-65, 1-91, 1-93, 1-97, 1-101, 1-105, 1-109, 2-19, 2-29, 2-39, 2-47, 2-118, 2-122, 2-127, 2-137, 2-139, 2-141, 2-143, 2-145, 2-147, 2-149, 2-151, 2-153, 2-155, 2-157, 2-159, 2-167, 2-169, 2-171, 2-173, 2-175, 2-177, 2-179, 2-189, 2-191, 2-193, 2-195, 2-197, 2-199, 2-201, 2-203, 2-205, 2-207, 2-209, 2-211, 2-213, 2-215, 2-217, 2-219, 2-221, 2-223, 2-225, 2-227, 2-229, 2-231, 2-233, 2-235, 2-236, 2-237
93600077	1-49, 1-93, 1-97, 1-101, 1-105, 2-107, 1-109, 2-15, 2-17, 2-19, 2-27, 2-37, 2-39, 2-45, 2-47, 2-53, 2-59, 2-67, 2-71, 2-75, 2-79, 2-87, 2-93, 2-97, 2-103, 2-107, 2-111, 2-118, 2-122, 2-127, 2-137, 2-139, 2-141, 2-143, 2-145, 2-147, 2-149, 2-151, 2-153, 2-155, 2-157, 2-159, 2-167, 2-169, 2-171, 2-173, 2-175, 2-177
93600077	2-179, 2-189, 2-191, 2-193, 2-195, 2-197, 2-199, 2-201, 2-203, 2-205, 2-207, 2-209, 2-211, 2-213, 2-215, 2-217, 2-219, 2-221, 2-223, 2-225, 2-227, 2-229, 2-231, 2-233
93600112	1-49, 1-50
93600120	1-85
93600132	1-85
93600138	1-73, 2-315, 2-317, 2-319, 2-327, 2-329, 2-331, 2-333, 2-335, 2-337, 2-339
93600150	1-5, 1-6, 2-189, 2-191, 2-193, 2-288, 2-301, 2-303, 2-305, 2-307, 2-308, 2-311, 2-313
93600156	1-4, 1-5, 1-6, 1-8, 1-9, 1-10, 1-14, 1-25, 1-29, 1-35, 1-39, 1-40, 1-41, 1-45, 1-46, 1-57, 1-58, 1-61, 1-62, 1-65, 1-66, 1-73, 1-77, 1-79, 1-81, 1-91, 1-103, 2-189, 2-191, 2-193, 2-201, 2-203, 2-209, 2-211, 2-221, 2-223, 2-225, 2-227, 2-229, 2-231, 2-275, 2-281, 2-283, 2-287, 2-288, 2-289, 2-291, 2-293, 2-295, 2-297, 2-299, 2-301, 2-303, 2-305, 2-307, 2-311, 2-337, 2-339, 2-341
93600157	1-49, 1-65

PART NUMBER	PAGE NUMBER
93600162	1-4, 1-49, 1-50, 2-175, 2-177, 2-179, 2-189, 2-181, 2-283, 2-285, 2-287, 2-288, 2-289, 2-297, 2-315, 2-317, 2-319, 2-321, 2-323, 2-325, 2-327, 2-329, 2-331, 2-333, 2-335, 2-337, 2-339,
93600168	1-8, 1-9, 1-14, 1-25, 1-29, 1-32, 1-33, 1-82, 2-137, 2-299, 2-305, 3-307
93600174	1-8, 1-9, 1-13, 1-17, 1-19, 1-20, 1-27, 1-31, 1-32, 1-36, 1-37, 1-45, 1-46, 1-47, 1-91, 2-111, 2-114, 2-177, 2-209, 2-281, 2-283, 2-288, 2-291, 2-293, 2-295, 2-299, 2-301, 2-303, 2-305, 3-307, 3-309, 3-311
93600180	1-17, 1-35, 1-39
93600192	2-291
93600424	2-302
93600470	1-36, 1-40
93600493	1-45, 1-46
93600495	1-39, 1-42, 1-43, 1-45
93600498	1-8, 1-10, 1-13, 1-57, 1-58, 1-61, 1-62, 1-65, 1-66
93600502	, 1-8, 1-9, 1-13, 1-27, 1-31, 1-32, 1-57, 1-59, 1-61, 1-63, 1-65, 1-67
93600508	1-103
93600514	1-65, 1-66
93600515	2-171, 2-175, 2-177
93600530	2-111, 2-114, 2-177
93600533	1-8, 1-9, 1-10, 1-13, 1-14
93600539	1-27, 1-31, 1-32
93600546	1-10, 1-13
93600553	2-15, 2-17, 2-19, 2-23, 2-27, 2-29, 2-33, 2-37, 2-39, 2-41, 2-45, 2-47, 2-49, 2-53, 2-54, 2-55, 2-56, 2-59, 2-60, 2-61, 2-62, 2-65, 2-67, 2-75, 2-79, 2-80, 2-81, 2-82, 2-87, 2-90, 2-91, 2-93, 2-97, 2-103, 2-107
93600555	1-73, 1-81
93600560	2-15, 2-19, 2-39, 2-47
93600561	1-25, 1-29, 1-32, 1-33
93600566	1-73, 1-77, 1-81
93600567	1-73, 1-79
93600571	1-77, 1-81
93600572	1-77
93800001	2-237
93800065	1-39
93800229	1-73, 1-81
93800235	1-57, 1-58, 1-61, 1-62, 1-65, 1-66
93800329	2-11, 2-25

PART NUMBER	PAGE NUMBER
93800331	2-27
93800338	1-73
93800339	1-73
93800348	1-85
93800351	1-85
93800352	1-85
93800353	1-85
93800355	4-9, 4-13, 4-19, 4-23
93800356	4-9, 4-13, 4-19, 4-23
93900009	2-281, 2-329, 2-331, 2-333
93900025	2-281, 2-283, 2-285, 2-287, 2-291, 2-293, 2-295, 2-299, 2-315, 2-317, 2-319, 2-321, 2-323, 2-325, 2-327, 2-329, 2-331, 2-333
93900027	1-93, 1-94, 1-95, 1-98, 1-101, 1-102, 1-103, 1-105, 1-106, 1-107, 1-109, 2-197, 2-199, 2-201, 2-203, 2-205, 2-207, 2-209, 2-211, 2-221, 2-223, 2-225, 2-227, 2-229, 2-231, 2-234, 2-281, 2-283, 2-285, 2-287, 2-288, 2-289, 2-301, 2-303, 2-311, 2-313
93900039	2-237
93900167	2-115
93900174	1-4, 1-6
93900178	2-189
93900195	1-103
93900212	1-49, 1-50
93900213	1-49, 1-50
93900214	1-49, 1-50
93900295	2-23, 2-33, 2-41, 2-49, 2-55, 2-65, 2-90, 2-91
93900297	2-25
94100509	2-161, 2-167, 2-169, 2-171, 2-179
518300050	4-18
518300051	4-18
01434104100	4-25
03029024200	4-8
03057000600	4-22
03057008500	4-9, 4-12
03079001501	4-7, 4-9, 4-11, 4-13
03080006001	4-7, 4-9, 4-11, 4-13
03080008700	4-15, 4-17, 4-19, 4-21, 4-23
03080008800	4-15, 4-17, 4-19, 4-21, 4-23
0343432700	4-25
0343432800	4-24
03434381600	4-8, 4-12, 4-23
04029107100	4-7
04029107200	4-7
04194202301	4-7, 4-9, 4-11, 4-13, 4-15, 4-17, 4-19, 4-21, 4-23
4194202301	4-9

Part Number Index



SAF-HOLLAND Group

PART NUMBER	PAGE NUMBER
04247301201	4-7, 4-9, 4-11, 4-15, 4-17, 4-21, 4-23
04315007500	4-7
04343107588	4-7, 4-9, 4-11, 4-13, 4-15, 4-17, 4-19, 4-21, 4-23
4343107588	4-9
04375100610	4-7, 4-11, 4-15, 4-17, 4-21
04375100810	4-7, 4-11, 4-15, 4-17, 4-21
04375100911	4-7
04434106800	4-25
04434382800	4-25
04434385900	4-25
04434386200	4-25
04454109864	4-5
04454115460	4-5, 4-9, 4-13, 4-15, 4-19, 4-23
04454115860	4-9, 4-13, 4-19, 4-23
05387001503	4-7
24710345090	2-15
24710355090	2-15
24710505090	2-15
24710515090	2-15
34790015090	2-68
34790025090	2-68
34790035090	2-68
34790045090	2-28, 2-68
34790175090	2-68
34790185090	2-68
34790195090	2-68
34790205090	2-28, 2-68
34790245090	2-28
64710525090	2-17
64710565090	2-17
64710605090	2-72
64710625090	2-72
64710685090	2-72
64710765090	2-88
64710775090	2-88
64710785090	2-88
64710795090	2-88
64710865090	2-88
64710875090	2-88
64710955090	2-94
64710965090	2-94
64710975090	2-94
64710985090	2-94
74710045090	2-94
74710055090	2-94
74710065090	2-94
74710075090	2-94
74710155090	2-72
74710175090	2-72
74710185090	2-72
74710235090	2-72

PART NUMBER	PAGE NUMBER
74710255090	2-72
74710265090	2-72
203210000190	4-15, 4-17
1001100000100	3-2, 3-3, 3-4, 3-5, 3-6, 3-9
1001100000110	3-2, 3-3, 3-4, 3-5, 3-6, 3-9
1004300000260	2-68
1004300000270	2-68
1004300000280	2-68
1004300000800	2-68
1004300000810	2-68
1004300000820	2-68
1004300000890	2-72
1004300000930	2-72
1004300002500	2-76
1004300002510	2-76
1004300002520	2-76
1004300002530	2-76
1004300002580	2-76
1004300002590	2-76
1004300002600	2-76
1004300002610	2-76
1004300003160	2-108
1004300003240	2-108
1004300003360	2-98
1004300003370	2-98
1004300003810	2-94, 2-104
1004300003980	2-28
1004300004300	2-94, 2-104
1004300005800	2-98
1004300007320	2-28
1004300009440	2-28
1004300010960	2-112
1004300010970	2-112
1004300010980	2-112
1004300010990	2-112
1004300011000	2-112
1004300011010	2-112
1004300011020	2-112
1004300011030	2-112
1004300011040	2-112
1004300011050	2-112
1004300011060	2-112
1004300011070	2-112
1004300011080	2-112
1004300011090	2-112
1004300011100	2-112
1004300011110	2-112
1004300011120	2-112
1004300011130	2-112
1004300011140	2-112
1004300011150	2-112
1004300011160	2-112

PART NUMBER	PAGE NUMBER
1004300011170	2-112
1004300011180	2-112
1004300011190	2-112
1004300012150	2-112
1004300012160	2-112
1004300012170	2-112
1004300012180	2-112
1004300012190	2-112
1004300012200	2-112
1004300012210	2-112
1004300012220	2-112
1004300012230	2-112
1004300012240	2-112
1004300012250	2-112
1004300012260	2-112
1004300012270	2-112
1004300012280	2-112
1004300012290	2-112
1004300012300	2-112
1005300001210	2-94
1005300001240	2-76
1005300001260	2-76
1005300001370	2-88
1005300001410	2-88
1005300001440	2-72
1005300001460	2-72
1005300001540	2-72
1005300001730	2-98
1005300001740	2-98
1005300001760	2-98
1005300001780	2-98
1005300002020	2-68
1005300002220	2-72
1005300002360	2-76
1005300002620	2-68
1005300002650	2-108
1005300002740	2-68
1022300000020	3-12, 3-13, 3-14, 4-18, 4-22
2006200006320	2-113
2006200006330	2-113
2006200006340	2-113
2006200006350	2-113
2006200006360	2-113
2006200006370	2-113
2006200006380	2-113
2006200006390	2-113
2006200006400	2-113
2006200008550	2-38
2006200008560	2-38
2006200008570	2-38
2006200008580	2-38
2006200008590	2-38

PART NUMBER	PAGE NUMBER
2006200008600	2-38
2006200008610	2-38
2006200008620	2-38
2006200009010	2-113
2006200009470	2-38
2006200009480	2-38
2006200009490	2-38
2006200009500	2-38
2006200009510	2-38
2006200009520	2-38
2006200009540	2-46
2006200009550	2-46
2006200009560	2-46
2006200009570	2-46
2006200009580	2-46
2006200009590	2-46
2006200009600	2-46
2006200009610	2-46
2006200009620	2-46
2006200009630	2-46
2006200009640	2-46
2006200009650	2-46
2014100000040	3-2, 4-8, 4-12, 4-18, 4-22
2014100000050	3-3, 3-9
2014100000050	3-3, 3-7
2015100000100	4-15, 4-17, 4-19, 4-19
2017200000200	4-8, 4-12, 4-18, 4-22
2017200000210	4-8, 4-12, 4-18, 4-22
2017300000010	3-10
2017300000220	4-5, 4-8, 4-12, 4-18, 4-22
2017300000230	4-8, 4-12, 4-18, 4-22
2019200000010	4-11, 4-13, 4-21, 4-23
2019200000010	4-7
2021100000010	3-13
2021100000020	3-12, 3-13
2022100000220	3-2, 3-3, 3-5, 3-6, 3-9
2022100000280	3-3, 3-3, 3-9
2024100000030	3-13
2024100000040	3-2, 3-3, 3-5, 3-6, 3-9
2024100000050	3-3, 3-6, 3-9
2024100000060	3-2, 3-3, 3-9
2024100000070	3-12
2024100000080	3-13
2024100000090	3-13
2024100000120	4-21
2024100000180	4-7, 4-9, 4-11, 4-13, 4-15, 4-17, 4-19, 4-21, 4-23
2032100000100	4-19
2032100000190	4-7, 4-9, 4-11, 4-13, 4-19, 4-21, 4-23
2047100000070	4-11
2047100000210	4-9, 4-13, 4-19, 4-23

PART NUMBER	PAGE NUMBER
2047300000050	3-12,
2048200000040	4-17
2048200000050	4-17
2066300000010	3-4, 3-5
2066300000020	3-4, 3-5
2072100000020	4-7, 4-9, 4-11, 4-21, 4-23
2072100000030	4-7, 4-9, 4-11, 4-21, 4-23
2072100000081	4-15, 4-19
2072100000090	4-15
2073190000090	4-11, 4-21
2073190000100	4-11, 4-21
2073190000120	4-21
2073190000130	4-21
2073190000140	4-7
2073190000150	4-7
2073190000160	4-7
2073190000170	4-7
2073290000110	4-7
2073300000020	3-13
2073300000080	3-13
2073300000230	3-13
2073300000240	3-13
2073300000710	4-15
2073300000720	4-15
2073300000730	4-17
2073300000740	4-17
2074200000180	4-8, 4-22
2074200000190	4-8, 4-22
2076100000100	3-3, 3-9
2076100000110	3-3, 3-9
2076100000120	3-3, 3-9
2082100000100	2-35, 2-43
2082100000180	4-15, 4-17, 4-19
01011008500Z	4-7
01011008600Z	4-7
01011009200Z	3-12, 4-17
01011009300Z	3-12, 4-17
01011009400Z	3-13, 4-11, 4-21
01011009500Z	3-12
01011009600Z	3-13, 4-11, 4-15
01011009700Z	3-13, 4-11, 4-15
01064031100Z	3-12, 3-13
01064031300Z	3-12, 3-13
01064031800Z	3-12, 3-13
01091003600Z	3-17, 4-27
01092002900Z	3-12, 4-17, 4-19
01092003100Z	3-13, 4-11, 4-13, 4-15, 4-21, 4-23
01093001700Z	3-17, 4-27
01093002200Z	3-12, 4-17
01093002300Z	3-13, 4-11, 4-15, 4-21
01093002400Z	3-3

PART NUMBER	PAGE NUMBER
01101000900Z	3-17, 4-27
01101001102Z	3-17, 4-27
01189010400Z	3-2, 3-3, 3-7, 3-10
01214006600Z	3-2, 3-3, 3-7, 3-10
01217001900Z	3-17, 4-27
01230022800Z	3-2, 3-3, 3-7, 3-10
01230101800Z	3-8
01231000700Z	3-12
01231000800Z	3-12
01231000900Z	3-13, 4-11, 4-15, 4-21
01265002300Z	3-2, 3-3, 3-7, 3-10
01284009500Z	3-8
01304011500Z	3-12
01304011700Z	4-21
01304011800Z	3-12, 4-17
01304011900Z	3-13
01304012000Z	3-12
01304012400Z	3-12
01304012700Z	3-12
01304013200Z	3-12
01331021200Z	3-2, 3-3, 3-4, 3-5, 3-6, 3-8, 3-9
01331021300Z	3-2, 3-3, 3-4, 3-5, 3-6, 3-8, 3-9
01331021400Z	3-2, 3-3, 3-4, 3-5, 3-8, 3-9
01337006300Z	3-3, 3-6, 3-8, 3-9
01345004300Z	3-12, 4-17
01345004500Z	4-11, 4-15
01345004500Z	3-13
01350202300Z	3-2
01350202400Z	3-2
01350202500Z	3-2
01395101600Z	3-2, 3-3, 3-7
01447006700Z	3-2, 3-3, 3-7, 3-10
01447006800Z	3-2, 3-3, 3-7, 3-10
02205000300Z	3-17, 4-27
02205000400Z	3-174-27
02309014200Z	3-7
02309014300Z	3-7
02309014400Z	3-7
02309014500Z	3-7
02309014600Z	3-7
02309014700Z	3-7
02376101300Z	3-17, 4-27
03055014200Z	3-11
03055014300Z	3-11
03055014400Z	3-11
03055014500Z	3-11
03055014600Z	3-10
03055014700Z	3-10
03055014800Z	3-10
03055014900Z	3-10
03230022900Z	3-2, 3-4

Part Number Index



SAF-HOLLAND Group

PART NUMBER	PAGE NUMBER
03230023000Z	3-2, 3-3, 3-4
03230101300Z	3-2
03230101700Z	3-3
03230101800Z	3-3
03304010201Z	4-7
03304010301Z	4-7
03304010900Z	4-7
03309014200Z	3-8
03309014300Z	3-8
03309014400Z	3-8
03341002319Z	3-17, 4-27
03357021100Z	3-17, 4-27
03357021300Z	3-17, 4-27
03434365700Z	3-17, 4-27
03434366000Z	4-8, 4-12, 4-18, 4-22
03434366300Z	4-8
03454112570Z	3-17, 4-27
03606116910Z	3-12
03606116912Z	3-12
03606117010Z	3-13
03606117012Z	3-13
03606117112Z	3-12
03606117113Z	3-12
03606117212Z	3-13
03606117213Z	3-13
04029101300Z	3-14, 4-11, 4-15, 4-17, 4-19, 4-21
04029107100Z	4-9, 4-19
04029107200Z	4-9, 4-19
04029107500Z	3-14, 4-11, 4-15, 4-17, 4-19, 4-21
04141000100Z	3-17, 4-27
04141001500Z	3-12, 3-13, 4-11, 4-15, 4-17, 4-21
04200102100Z	3-12
04200102200Z	3-12
04200102300Z	3-13, 4-11, 4-15, 4-21
04201000100Z	3-17, 4-27
04201000200Z	3-17, 4-27
04201003000Z	3-3, 3-4, 3-5, 3-6
04201003100Z	3-3, 3-4, 3-8, 3-9
04230017000Z	3-17, 4-27
04247301201Z	1-75, 3-12, 3-13
04247401480Z	3-17, 4-27
04247405280Z	4-7, 4-9, 4-11, 4-13, 4-17, 4-19, 4-21, 4-23
04315001100Z	3-17, 4-27
04315007500Z	4-9
04315007800Z	3-2
04315008000Z	3-3, 3-8
04343107588Z	4-5, 4-7, 4-9
04343207200Z	3-2, 3-3, 3-8
04343207800Z	3-12, 3-13, 4-11, 4-15, 4-17, 4-21
04348103000Z	3-2, 3-3, 3-4, 3-5, 3-6, 3-8, 3-9

PART NUMBER	PAGE NUMBER
04348103100Z	3-2, 3-3, 3-4, 3-5, 3-6, 3-8
04375100610Z	4-9, 4-13, 4-19, 4-23
04375100810Z	4-9, 4-13, 4-19, 4-23
04375100911Z	4-9
04375101210Z	4-11, 4-13, 4-21, 4-23
05387001503Z	3-14, 4-9, 4-19
201304011700Z	4-15
CH111Q11	2-12
CH121Q11	2-12
CH131Q11	2-12
CH141Q11	2-12
CH151Q11	2-12
CH211Q11	2-12
CH221Q11	2-12
CH231Q11	2-12
CH241Q11	2-12
CH251Q11	2-12
CL111Q11	2-12
CL121Q11	2-12
CL131Q11	2-12
CL141Q11	2-12
CL151Q11	2-12
CL211Q11	2-12
CL221Q11	2-12
CL231Q11	2-12
CL241Q11	2-12
CL251Q11	2-12
CT111Q11	2-12
CT121Q11	2-12
CT131Q11	2-12
CT141Q11	2-12
CT151Q11	2-12
CT211Q11	2-12
CT221Q11	2-12
CT231Q11	2-12
CT241Q11	2-12
CT251Q11	2-12
CU111Q11	2-12
CU121Q11	2-12
CU131Q11	2-12
CU141Q11	2-12
CU151Q11	2-12
CU211Q11	2-12
CU221Q11	2-12
CU231Q11	2-12
CU241Q11	2-12
CU251Q11	2-12
M0001000	1-65, 1-66
M0008000	1-65, 1-66
M0018038	1-5
M0018041	1-5
NH1Q12111N000Y0	2-119, 2-129
NH1Q12121N000Y0	2-119, 2-129
NH1Q12122N000Y0	2-119

PART NUMBER	PAGE NUMBER
NH1Q12131N000Y0	2-119
NH1Q12132N000Y0	2-119
NH1Q12141N000Y0	2-119, 2-129
NH1Q12142N000Y0	2-119
NH1Q22111N000Y0	2-119, 2-129
NH1Q22112N000Y0	2-119
NH1Q22121N000Y0	2-119, 2-129
NH1Q22122N000Y0	2-119
NH1Q22131N000Y0	2-119
NH1Q22132N000Y0	2-119
NH1Q22141N000Y0	2-119, 2-129
NH1Q22142N000Y0	2-119
NH3Q12111N000Y0	2-123
NH3Q12112N000Y0	2-123
NH3Q12121N000Y0	2-123
NH3Q12122N000Y0	2-123
NH3Q12131N000Y0	2-123
NH3Q12132N000Y0	2-123
NH3Q12141N000Y0	2-123
NH3Q12142N000Y0	2-123
NH3Q22111N000Y0	2-123
NH3Q22112N000Y0	2-123
NH3Q22121N000Y0	2-123
NH3Q22122N000Y0	2-123
NH3Q22131N000Y0	2-123
NH3Q22132N000Y0	2-123
NH3Q22141N000Y0	2-123
NH3Q22142N000Y0	2-123
NL1Q12111N000Y0	2-119, 2-123, 2-129
NL1Q12112N000Y0	2-119, 2-123
NL1Q12121N000Y0	2-119, 2-123
NL1Q12122N000Y0	2-119, 2-123
NL1Q12131N000Y0	2-119, 2-123
NL1Q12132N000Y0	2-119, 2-123
NL1Q12141N000Y0	2-119, 2-123
NL1Q12142N000Y0	2-119, 2-123
NL1Q22111N000Y0	2-119, 2-123, 2-129
NL1Q22112N000Y0	2-119, 2-123
NL1Q22121N000Y0	2-119, 2-123, 2-129
NL1Q22122N000Y0	2-119, 2-123
NL1Q22131N000Y0	2-119, 2-123
NL1Q22132N000Y0	2-119, 2-123
NL1Q22141N000Y0	2-119, 2-123, 2-129
NL1Q22142N000Y0	2-119, 2-123
NT1Q12111N000Y0	2-119
NT1Q12112N000Y0	2-119
NT1Q12121N000Y0	2-119
NT1Q12122N000Y0	2-119
NT1Q12131N000Y0	2-119
NT1Q12132N000Y0	2-119
NT1Q12141N000Y0	2-119
NT1Q12142N000Y0	2-119

PART NUMBER	PAGE NUMBER
NT1Q22111N000Y0	2-119
NT1Q22112N000Y0	2-119
NT1Q22121N000Y0	2-119
NT1Q22122N000Y0	2-119
NT1Q22131N000Y0	2-119
NT1Q22132N000Y0	2-119
NT1Q22141N000Y0	2-119
NT1Q22142N000Y0	2-119
NT3Q12111N000Y0	2-123
NT3Q12112N000Y0	2-123
NT3Q12121N000Y0	2-123
NT3Q12122N000Y0	2-123
NT3Q12131N000Y0	2-123
NT3Q12132N000Y0	2-123
NT3Q12141N000Y0	2-123
NT3Q12142N000Y0	2-123
NT3Q22111N000Y0	2-123
NT3Q22112N000Y0	2-123
NT3Q22121N000Y0	2-123
NT3Q22122N000Y0	2-123
NT3Q22131N000Y0	2-123
NT3Q22132N000Y0	2-123
NT3Q22141N000Y0	2-123
NT3Q22142N000Y0	2-123
NU1Q12111N000Y0	2-119
NU1Q12112N000Y0	2-119
NU1Q12121N000Y0	2-119
NU1Q12122N000Y0	2-119
NU1Q12131N000Y0	2-119
NU1Q12132N000Y0	2-119
NU1Q12141N000Y0	2-119
NU1Q12142N000Y0	2-119
NU1Q22111N000Y0	2-119
NU1Q22112N000Y0	2-119
NU1Q22121N000Y0	2-119
NU1Q22122N000Y0	2-119
NU1Q22131N000Y0	2-119
NU1Q22132N000Y0	2-119
NU1Q22141N000Y0	2-119
NU1Q22142N000Y0	2-119
NU3Q12111N000Y0	2-123
NU3Q12112N000Y0	2-123
NU3Q12121N000Y0	2-123
NU3Q12122N000Y0	2-123
NU3Q12131N000Y0	2-123
NU3Q12132N000Y0	2-123
NU3Q12141N000Y0	2-123
NU3Q12142N000Y0	2-123
NU3Q22111N000Y0	2-123
NU3Q22112N000Y0	2-123
NU3Q22121N000Y0	2-123
NU3Q22122N000Y0	2-123
NU3Q22131N000Y0	2-123

PART NUMBER	PAGE NUMBER
NU3Q22132N000Y0	2-123
NU3Q22141N000Y0	2-123
NU3Q22142N000Y0	2-123
SL0019-01	2-133
SL0041-01	2-270
SL0042-01	2-271
SL0049	2-271
SL0049-01	2-271
SL0049-02	2-271
SL0049-03	2-271
SL0049-04	2-271
SL0062-01	2-271
SL0062-02	2-271
SL0062-03	2-271
SL0062-05	2-271
SL0069-01	2-271
SL0069-02	2-271
SL0069-03	2-271
SL0069-04	2-271
SL0069-05	2-271
SL0070-01	2-271
SL0070-02	2-271
SL0070-03	2-271
SL0071-01	2-271
SL0071-02	2-271
SL0071-03	2-271
SL0318-01	2-271
SL0318-02	2-271
SL0318-03	2-271
SL0318-04	2-271
SL0318-05	2-271
SL0322	2-271
SL0370-28	2-271
SL0518-62	2-25
SL0523-01	2-133
SL0523-07	2-11, 2-25, 2-35, 2-43, 2-117, 2-121, 2-241, 2-247, 2-265
SL0969	2-134
SL0994	2-133
SLOA1058-01	2-133
SLOA1058-02	2-133
SLOA1122-42	2-133
SLOA1122-48	2-133
SLOA1123	2-134
SLOA1124	2-134
SLOA1129	2-134
SLOA1134-42	2-134
SLOA1134-48	2-134
SLOA1230	2-11, 2-25, 2-35, 2-43
SLOA1238	2-11, 2-25, 2-35, 2-43, 2-117, 2-121, 2-133, 2-241, 2-247, 2-265
SLOA1239-01	2-11, 2-117, 2-121, 2-241, 2-247, 2-265

PART NUMBER	PAGE NUMBER
SLOA1239-02	2-11, 2-117, 2-121, 2-241, 2-247, 2-265
SLOA1239-03	2-241, 2-247, 2-265
SLOA1261	2-11, 2-25, 2-35, 2-43, 2-117, 2-121, 2-241, 2-247, 2-265
SLOA1269-01	2-117, 2-121, 2-241, 2-247, 2-265
SLOA1269-02	2-117, 2-121, 2-241, 2-247, 2-265
SLOA1269-03	2-241, 2-247, 2-265
SLOA1272	2-43
SLOA1274	2-11, 2-25, 2-35, 2-43, 2-117, 2-121, 2-241, 2-247, 2-265
SLOA1277-01	2-11, 2-35, 2-117, 2-121, 2-241, 2-247, 2-265
SLOA1300-02	2-25
SLOA1307-01	2-11, 2-25, 2-35
SLOA1307-02	2-11, 2-25, 2-35
SLOA1324	2-11, 2-25, 2-35
SLOA1398	2-25
SLOA1417-48	2-25
SLOA1429	2-11, 2-25, 2-35
SLOA1445-01	2-11, 2-25, 2-35, 2-43
SLOA1445-02	2-11, 2-35, 2-43
SLOA1476-04	2-25
SLOA1482-01	2-25
SLOA1482-02	2-25
SLOA1484	2-25
SLOA1485	2-11, 2-35
SLOA1510-02	2-25
SLOA1515-01	2-25
SLOA1521-01	2-25
SLOA1521-02	2-25
SLOA1525	2-25
SLOA1550	2-35, 2-43
SLOA1550-01	2-35, 2-43
SP0048	2-241, 2-253, 2-265
SP0049	2-241, 2-247, 2-253, 2-265
SP0055-01	2-270
SP0055-02	2-270
SP0099	2-133, 2-241, 2-247, 2-253, 2-265, 2-270
SP0100	2-241, 2-247, 2-253, 2-260, 2-261, 2-262, 2-263, 2-265
SP0110	2-241, 2-247, 2-253
SP0119	2-261, 2-262
SP0120	2-241, 2-247, 2-253, 2-260, 2-261, 2-262, 2-263, 2-265
SP0123	2-241, 2-247, 2-253, 2-260, 2-261, 2-263, 2-265, 2-270
SP0131	2-247
SP0142-01	2-134, 2-242, 2-243, 2-248, 2-249, 2-254, 2-255, 2-266, 2-267, 2-270

Part Number Index



SAF-HOLLAND Group

PART NUMBER	PAGE NUMBER
SP0142-02	2-134, 2-242, 2-243, 2-248, 2-249, 2-254, 2-255, 2-266, 2-267, 2-270
SP0142-03	2-134, 2-242, 2-243, 2-248, 2-249, 2-254, 2-255, 2-266, 2-267, 2-270
SP0142-04	2-270
SP0142-05	2-270
SP0142-06	2-270
SP0143	2-241, 2-247, 2-253, 2-260, 2-261, 2-263, 2-265, 2-270
SP0149-04	2-134, 2-242, 2-243, 2-248, 2-249, 2-254, 2-255, 2-266, 2-267
SP0149-05	2-242, 2-243, 2-248, 2-249, 2-254, 2-255, 2-266, 2-267
SP0149-06	2-242, 2-243, 2-248, 2-249, 2-254, 2-255, 2-266, 2-267
SP0149-07	2-242, 2-243, 2-248, 2-249, 2-254, 2-255, 2-266, 2-267
SP0149-08	2-242, 2-243, 2-248, 2-249, 2-254, 2-255, 2-266, 2-267
SP0156-01	2-270
SP0156-02	2-270
SP0160	2-260, 2-262, 2-263
SP0162	2-260, 2-262, 2-270
SP0163	2-261, 2-262, 2-270
SP0169	2-241, 2-247, 2-253, 2-265
SP0170	2-241, 2-247, 2-253, 2-265
SP0172-01	2-242, 2-243, 2-248, 2-249, 2-254, 2-255, 2-266, 2-267
SP0172-02	2-242, 2-243, 2-248, 2-249, 2-254, 2-255, 2-266, 2-267
SP0172-03	2-242, 2-243, 2-248, 2-249, 2-254, 2-255, 2-266, 2-267
SP0172-04	2-242, 2-243, 2-248, 2-249, 2-254, 2-255, 2-266, 2-267
SP0178	2-241, 2-247, 2-253, 2-265, 2-270
SP0192	2-133
SP0202-01	2-133
SP0202-04	2-263
SP0202-09	2-133
SP0202-10	2-133
SP0206-02	2-133
SP0206-03	2-133
SP0221	2-133
SP0224	2-133
SP0277-42	2-133
SP0277-48	2-133
SP0284-42	2-133
SP0284-48	2-133
SP0294	2-265
SP0324	2-242, 2-248, 2-254, 2-266
SP0325	2-242, 2-248, 2-254, 2-266
SP0326	2-242, 2-248, 2-254, 2-266
SP0334	2-244, 2-250, 2-258, 2-268

PART NUMBER	PAGE NUMBER
SP0341-01	2-260, 2-261, 2-262, 2-263
SP0341-02	2-260, 2-261, 2-262, 2-263
SP0342	2-262
SP0343-01	2-260, 2-261, 2-262, 2-263
SP0343-02	2-260, 2-261, 2-262, 2-263
SP0344	2-263
SP0345	2-263
SP0346	2-263
SP0354	2-243, 2-249, 2-255, 2-267
SP0355	2-243, 2-249, 2-255, 2-267
SP0356	2-243, 2-249, 2-255, 2-267
SP0360	2-243, 2-249, 2-255, 2-267
SP0363	2-243, 2-249, 2-255, 2-267
SP0365	2-243, 2-249, 2-255, 2-267
SP0365-01	2-243, 2-249, 2-255, 2-267
SP0393	2-240
SPK0030	2-256
SPK0031	2-257
SPK0032	2-257
SPK0033	2-257
SPK0034	2-257
SPK0035	2-257
SPK0036	2-257
SPK0037	2-257
SPK0042	2-256
SPK0045	2-257
SPK0046	2-257
SPK0047	2-257
SPK0048	2-257
SPK0060	2-256, 2-260
SPK0061	2-261
SPK0062	2-262
SPK0063	2-263
SPK0064	2-256, 2-260
SPK0065	2-261
SPK0066	2-262
SPK0067	2-263
SPK0068	2-256, 2-260
SPK0069	2-261
SPK0070	2-262
SPK0071	2-263
SPK0072	2-257
SPK0073	2-257
SPK0074	2-257
SPK0075	2-257
SPK0076	2-257
SPK0077	2-257
SPK0078	2-257
SPK0079	2-257
SPK0080	2-257
SPK0081	2-257
SPK0082	2-257
SPK0083	2-257
SPK0084	2-257

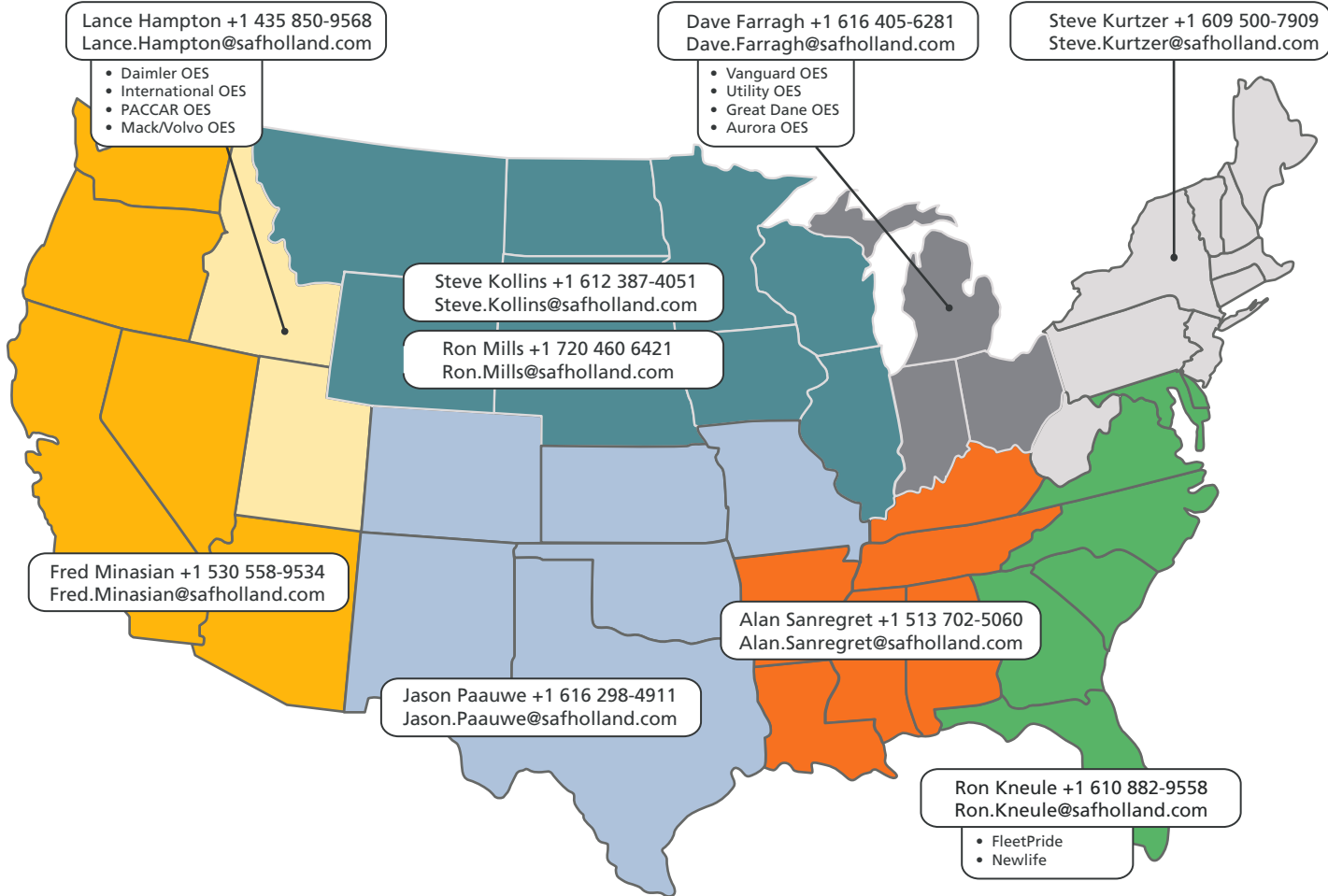
PART NUMBER	PAGE NUMBER
SPK0085	2-257
SPK0086	2-257
SPK0094	2-244, 2-250, 2-258, 2-268, 2-272
SPK0095	2-244, 2-250, 2-258, 2-268, 2-272
SPK0109	2-244, 2-250, 2-258, 2-268
SPK0111	2-244, 2-250, 2-258, 2-268, 2-272
SPK0112	2-244, 2-250, 2-258, 2-268, 2-272
SPK0113	2-272
SPK0114	2-272
SPK0115	2-244, 2-250, 2-258, 2-268
SPK0121	2-256
XB-02967	1-77, 1-81, 3-7, 3-10
XB-09226	2-22, 2-32, 2-40, 2-48, 2-64, 2-90
XB-CTP-014-59	2-11, 2-25, 2-35, 2-43, 2-117, 2-121, 2-133, 2-247, 2-253, 2-271, 2-276
XB-HHC-001-33	2-11, 2-15, 2-17, 2-19, 2-25, 2-27, 2-35, 2-37, 2-39, 2-43, 2-45, 2-47, 2-53, 2-54, 2-56, 2-59, 2-60, 2-62, 2-67, 2-71, 2-75, 2-79, 2-80, 2-82, 2-87, 2-93, 2-97, 2-103, 2-107, 2-117, 2-121, 2-133, 2-241, 2-297, 2-107, 2-117, 2-121, 2-133, 2-134, 2-247, 2-253, 2-271
XB-HHC-050-109	2-105
XB-PW-016-08	2-11, 2-25, 2-35, 2-43, 2-117, 2-121, 2-133, 2-247, 2-253, 2-271
XB-PW-016-85	2-11, 2-25, 2-117, 2-121, 2-247, 2-253, 2-271
XB-SLN-012-42	2-11, 2-25, 2-27, 2-35, 2-43, 2-117, 2-121, 2-133, 2-134, 2-247, 2-253, 2-271
XB-SLN-012-60	2-133
XB-SLN-053-62	2-133
XB-SP0011-44	2-133, 2-247, 2-253, 2-259, 2-271, 2-276
XB-SP0012-10	2-133, 2-247, 2-250, 2-253, 2-256, 2-259, 2-264, 2-266, 2-267, 2-268, 2-269, 2-271, 2-274, 2-276, 2-278
XB-SP0012-36	2-133, 2-247, 2-250, 2-253, 2-256, 2-258, 2-259, 2-261, 2-264, 2-266, 2-267, 2-268, 2-269, 2-271, 2-274, 2-276, 2-278
XB-SP0012-37	2-247, 2-250, 2-253, 2-256, 2-259, 2-264, 2-271, 2-274, 2-278
XB-SP0012-49	2-133
XB-SP0012-51	2-133
XB-SP0012-52	2-133
XB-SP0016-67	2-133, 2-247, 2-253, 2-259, 2-271, 2-276

PART NUMBER	PAGE NUMBER
XB-SP0050-01	2-270, 2-272
XB-SP0050-100	2-133
XB-SP0050-101	2-133
XB-SP0050-71	2-247, 2-250, 2-253, 2-256, 2-259, 2-264, 2-266, 2-267, 2-268, 2-269, 2-271, 2-274, 2-276, 2-278
XB-SP0050-72	2-133
XB-SL0A1054	2-11, 2-25, 2-35, 2-43, 2-117, 2-121, 2-133, 2-247, 2-253, 2-271
XB-SP0050-73	2-247, 2-250, 2-253, 2-256, 2-259, 2-264, 2-271, 2-274
XB-SP0050-75	2-133, 2-247, 2-250, 2-253, 2-256, 2-259, 2-264, 2-266, 2-267, 2-268, 2-269, 2-271, 2-274, 2-276, 2-278
XB-SP0050-91	2-270
XB-SL0312-01	2-270
XB-SP0050-97	2-272
XB-SP0050-99	2-133
XB-SP0054-02	2-250, 2-256, 2-264, 2-274, 2-278
XB-SP0054-05	2-250, 2-256, 2-264, 2-274, 2-278
XB-SP0074-G	2-248, 2-254, 2-260, 2-272
XB-SP0074-H	2-134, 2-248, 2-249, 2-254, 2-255, 2-260, 2-261, 2-272, 2-273, 2-276
XB-SP0074-J	2-134, 2-248, 2-249, 2-254, 2-255, 2-260, 2-261, 2-272, 2-273, 2-276
XB-SP0074-K	2-134, 2-248, 2-249, 2-254, 2-255, 2-260, 2-261, 2-272, 2-273, 2-276
XB-SP0074-L	2-134, 2-248, 2-249, 2-254, 2-255, 2-260, 2-261, 2-272, 2-273, 2-276
XB-SP0074-M	2-248, 2-249, 2-254, 2-255, 2-260, 2-261, 2-272, 2-273, 2-276
XB-SP0074-P	2-248, 2-249, 2-254, 2-255, 2-260, 2-261, 2-272, 2-273, 2-276
XB-SP0074-R	2-248, 2-249, 2-254, 2-255, 2-260, 2-261, 2-272, 2-273, 2-276
XB-SP0074-S	2-248, 2-249, 2-254, 2-255, 2-260, 2-261, 2-272, 2-273
XB-SP0074-T	2-248, 2-249, 2-254, 2-255, 2-260, 2-261, 2-272, 2-273
XB-SP0074-U	2-248, 2-249, 2-254, 2-255, 2-260, 2-261, 2-272, 2-273
XB-SP0074-V	2-249, 2-255, 2-261, 2-273
XB-SP0074-W	2-249, 2-255, 2-261, 2-273
XB-SP0145	2-247, 2-250, 2-253, 2-256, 2-259, 2-264, 2-266, 2-267, 2-268, 2-269, 2-271, 2-274, 2-276, 2-278
XB-SP0203	2-133
XB-SP0204	2-133

PART NUMBER	PAGE NUMBER
XB-SP0205-01	2-133
XB-SPG-020-33	2-133
XB-SPG-020-34	2-134
XB-SPG-020-35	2-11, 2-25, 2-35, 2-43, 2-117, 2-121, 2-247, 2-253, 2-271
XB-SPN-053-54	2-133
XB-SPN-053-58	2-133
XB-ST5-008-16	2-11, 2-25, 2-35, 2-43, 2-117, 2-121, 2-133, 2-247, 2-253, 2-271
XL-AK399-01	1-13
XL-AK406	2-162, 2-167, 2-169, 2-171, 2-172, 2-181
XL-AK424	1-13
XL-AR354	2-161, 2-181
XL-AR355	2-162, 2-167, 2-169, 2-171, 2-172, 2-181
XL-AR356-01	1-49
XL-AR445	2-162
XL-AR453	2-161, 2-162, 2-179, 2-181
XL-AR462	2-55
XL-MS195	2-282
XM-44000069	2-22, 2-23, 2-32, 2-33, 2-40, 2-41, 2-48, 2-49, 2-64, 2-65, 2-90, 2-91
XM-44000089	2-22, 2-32, 2-40, 2-48, 2-64, 2-84, 2-91, 2-100

Aftermarket Territories - 2016

WE'VE GOT YOU COVERED!



Customer Service
800.876.3929



They're called "Original Parts" for a reason!
Why trust anything else?



ORIGINAL PARTS™



FIFTH WHEELS



SUSPENSIONS



LANDING GEAR



COUPLINGS



LIFTGATES

Service parts for Holland, SAF, Neway, and
former Binkley, Simplex, and TruckMaster Products.

From fifth wheel rebuild kits to suspension bushing repair kits, SAF-HOLLAND Original Parts are the same quality components used in the original component assembly. SAF-HOLLAND Original Parts are tested and designed to provide maximum performance and durability. Will-fits, look-alikes or worse yet counterfeit parts will only limit the performance potential and could possibly void SAF-HOLLAND's warranty. Always be sure to spec SAF-HOLLAND Original Parts when servicing your SAF-HOLLAND product.

800.876.3929

United States

www.safholland.com

519.537.3494

Canada



From fifth wheel rebuild kits to suspension bushing repair kits, SAF-HOLLAND Original Parts are the same quality components used in the original component assembly.

SAF-HOLLAND Original Parts are tested and designed to provide maximum performance and durability. Will-fits, look-alikes or worse yet counterfeit parts will only limit the performance potential and could possibly void SAF-HOLLAND's warranty. Always be sure to spec SAF-HOLLAND Original Parts when servicing your SAF-HOLLAND product.

SAF-HOLLAND USA • 800.876.3929 • Fax 800.356.3929
www.safholland.us

SAF-HOLLAND CANADA • 519.537.3494 • Fax 800.565.7753
WESTERN CANADA • 604.574.7491 • Fax 604.574.0244
www.safholland.ca

SAF-HOLLAND MEXICO • +(52) 55.5362.8743 • Fax +(52) 55.5362.8743
www.safholland.com.mx

info@safholland.com