



CAMSHAFT REPAIR KITS

FOR 12 1/4" DIAMETER BRAKES

CSK1000



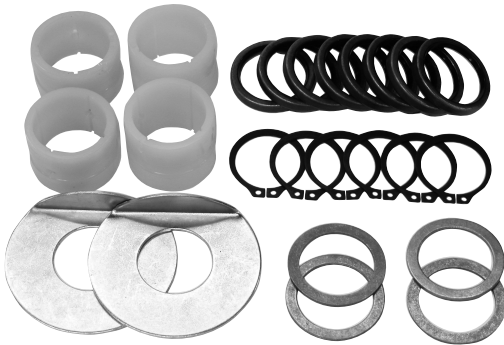
SERVICES ONE AXLE

EATON LATE MODEL BRAKE

QTY	PART #	DESCRIPTION
2	CS3001	BUSHING
2	CS3044	BUSHING
4	CS3066	SEAL
6	CS3109	WASHER
2	CS3128	WASHER
2	CS3145	LOCK RING
2	CS3146	LOCK RING

REPLACES: 6-2718, 43-7040, B2060-56, CQ67410, E-2494, K91, R615000

CSK1002



SERVICES ONE AXLE

SPICER AND STANDARD FORGE AXLES

QTY	PART #	DESCRIPTION
2	CS3001	BUSHING
2	CS3002	BUSHING
8	CS3066	SEAL
2	CS3100	WASHER
4	CS3103	WASHER
6	CS3145	LOCK RING

REPLACES: 6-2709, 43-7031, CQ67411, E-2526, K87, M12KY201, R615001

CSK1004



SERVICES ONE AXLE

SPICER AND STANDARD FORGE LATE MODEL AXLES

QTY	PART #	DESCRIPTION
2	CS3000	BUSHING
2	CS3041	BUSHING
4	CS3066	SEAL
2	CS3107	WASHER
2	CS3108	WASHER
2	CS3109	WASHER
2	CS3121	WASHER
4	CS3145	LOCK RING

REPLACES: 43-7033, CQ67382, E-2469, K145, K345, M12KY106, R615010

CAMSHAFT REPAIR KITS

FOR 12 1/4" DIAMETER BRAKES



CSK1005



SERVICES ONE AXLE

SPICER "U" BRAKE

QTY	PART #	DESCRIPTION
2	CS3021	BUSHING
2	CS3041	BUSHING
4	CS3066	SEAL
2	CS3108	WASHER
2	CS3109	WASHER
2	CS3121	WASHER
4	CS3145	LOCK RING

REPLACES: 43-7062, CQ67383, E-5307, K-347, R615014

FOR 15" DIAMETER BRAKES

CSK1010



SERVICES ONE AXLE

EATON S.A.P. AND "ES" FRONT BRAKES

QTY	PART #	DESCRIPTION
4	CS3009	BUSHING
4	CS3064	SEAL
2	CS3110	WASHER
2	CS3111	WASHER
2	CS3149	LOCK RING

REPLACES: 6-2258, 43-7060, 1008325, CQ66918, E5140, R615013

CSK1012



SERVICES ONE AXLE

MERITOR "Q" FRONT BRAKE

QTY	PART #	DESCRIPTION
4	CS3005	BUSHING
4	CS3063	SEAL
4	CS3112	WASHER
2	CS3141	LOCK RING

REPLACES: 43-7059, CQ62768, E-3876, K285, KIT8022



CAMSHAFT REPAIR KITS

FOR 15" AND 16-1/4" DIAMETER BRAKES

CSK1014



SERVICES ONE AXLE

MERITOR "T" FRONT BRAKE

QTY	PART #	DESCRIPTION
4	CS3008	BUSHING
4	CS3070	SEAL
2	CS3112	WASHER
2	CS3117	WASHER
6	CS3118	WASHER
2	CS3131	WASHER
2	CS3142	LOCK RING

REPLACES: 43-7051, CQ66922, E-3446, K-273, KIT9300 (2)

FOR 15" AND 16-1/4" DIAMETER BRAKES

CSK1016



SERVICES ONE AXLE

MERITOR "T" BRAKE

QTY	PART #	DESCRIPTION
4	CS3002	BUSHING
4	CS3071	SEAL
2	CS3107	WASHER
4	CS3109	WASHER
2	CS3126	WASHER
2	CS3128	WASHER
2	CS3144	LOCK RING

REPLACES: 43-7050, CQ66920, E-3468A, K-272, KIT9304 (2)

CSK1022



SERVICES ONE AXLE

EATON "REDUCES ENVELOPE" AND "ES" BRAKES

QTY	PART #	DESCRIPTION
4	CS3001	BUSHING
4	CS3065	SEAL
2	CS3104	WASHER
2	CS3105	WASHER
2	CS3109	WASHER
2	CS3124	WASHER
2	CS3149	LOCK RING

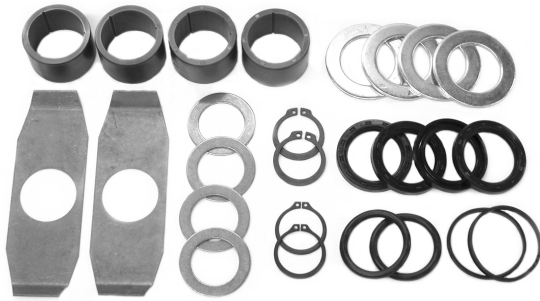
REPLACES: 43-7069, 127808, CQ65501, E-5501, K296, R615015

CAMSHAFT REPAIR KITS

FOR 16-1/4" AND 16-1/2" DIAMETER BRAKES



CSK1058



SERVICES ONE AXLE

MERITOR "Q" AND "Q-PLUS" DRIVE AXLES

QTY	PART #	DESCRIPTION
4	CS3002	BUSHING
2	CS3062	O-RING
4	CS3071	SEAL
2	CS3072	GASKET
4	CS3102	WASHER
4	CS3113	WASHER
2	CS3123	WASHER
2	CS3140	LOCK RING
2	CS3142	LOCK RING

REPLACES: 6-2253, 43-7048, CQ67387, E-3993A, E-3993B, K278, KIT8042

FOR 16-1/2" DIAMETER BRAKES

CSK1020



SERVICES ONE AXLE

BENDIX TRUCK AND TRACTOR BRAKES - FORD CARGO

QTY	PART #	DESCRIPTION
2	BH3017	LOCK RING
4	CS3020	BUSHING
4	CS3071	SEAL
2	CS3104	WASHER
4	CS3105	WASHER
2	CS3113	WASHER
2	CS3123	WASHER
2	CS3142	LOCK RING

REPLACES: 43-7065, CQ67100, E-7241, K302, R615017

CSK1024



SERVICES ONE AXLE

EATON SELF-CONTAINED DRIVE AXLE BRAKE

QTY	PART #	DESCRIPTION
4	CS3001	BUSHING
4	CS3065	SEAL
2	CS3104	WASHER
2	CS3105	WASHER
2	CS3109	WASHER
2	CS3149	LOCK RING
2	CS3311	COTTER PIN

REPLACES: 6-2259, 43-7041, 78500, CQ67326, E-2125, E-5501 K80, K357, R615002



CAMSHAFT REPAIR KITS

FOR 16 1/2" DIAMETER BRAKES

CSK1026

FRUEHAUF LATE "PROPAR" BRAKE ALSO USED ON SOME 12-1/4" BRAKE



SERVICES ONE AXLE

QTY	PART #	DESCRIPTION
4	CS3004	BUSHING
2	CS3043	BUSHING
2	CS3109	WASHER
6	CS3115	WASHER
2	CS3145	LOCK RING
2	CS3146	LOCK RING

REPLACES: 6-2257, 43-7039, AXA0420-900, CQ67324, E-2090, K88, R615005

CSK1028

EATON "ES" DRIVE AXLE



SERVICES ONE AXLE

QTY	PART #	DESCRIPTION
2	CS3001	BUSHING
2	CS3020	BUSHING
4	CS3065	SEAL
2	CS3104	WASHER
2	CS3105	WASHER
4	CS3109	WASHER
2	CS3149	LOCK RING

REPLACES: 43-7068, 1008047, CQ67412, E-9053, R615018

CSK1030

MERITOR 4000-6000 TRAILER AXLE



SERVICES ONE AXLE

QTY	PART #	DESCRIPTION
2	CS2000	BRACKET
2	CS3029	BUSHING ASSEMBLY
4	CS3106	WASHER
2	CS3142	LOCK RING
2	CS3102	WASHER
2	CS3103	WASHER
2	CS3140	LOCK RING
2	CS3146	LOCK RING

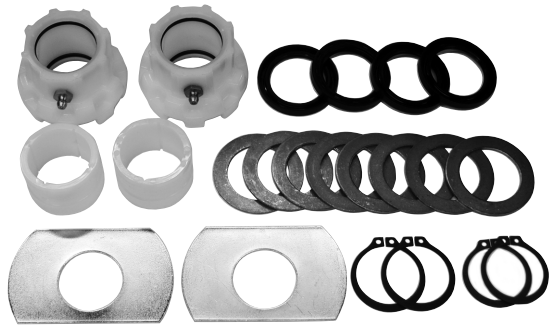
REPLACES: 6-2710, 43-7037A, CQ67386, E-3520A, E-3520AHD, K-269, KIT8048

CAMSHAFT REPAIR KITS

FOR 16 1/2" DIAMETER BRAKES



CSK1033



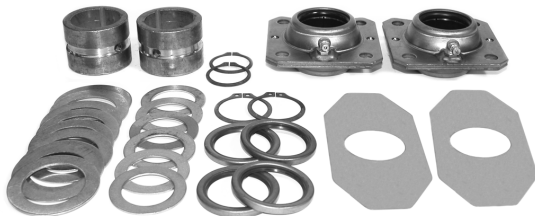
SERVICES ONE AXLE

EATON ROUND AXLE WITH "FTL" BRAKES

QTY	PART #	DESCRIPTION
2	CS3001	BUSHING
2	CS3044	BUSHING
4	CS3071	SEAL
8	CS3109	WASHER
2	CS3119	WASHER
2	CS3145	LOCK RING
2	CS3146	LOCK RING

REPLACES: 43-7042, CQ67384, E-2089, K79, R615003

CSK1035



SERVICES ONE AXLE

HENDRICKSON "INTRAAX" "ES" BRAKE

QTY	PART #	DESCRIPTION
2	CS2000	BRACKET
2	CS3022	BUSHING
4	CS3067	SEAL
6	CS3102	WASHER
8	CS3109	WASHER
2	CS3132	WASHER
2	CS3140	LOCK RING
2	CS3145	LOCK RING

REPLACES: E-11450, S-23974

CSK1038



SERVICES ONE AXLE

EATON "501" SERIES AND "ES" BRAKES

QTY	PART #	DESCRIPTION
2	CS3006	BUSHING
2	CS3046	BUSHING
4	CS3069	SEAL
4	CS3109	WASHER
4	CS3115	WASHER
2	CS3140	LOCK RING
2	CS3145	LOCK RING
2	CS3146	LOCK RING

REPLACES: 6-2718, 43-7043A, 1008347, CQ67354, E-2696A, K360, R615004



CAMSHAFT REPAIR KITS

FOR 16 1/2" DIAMETER BRAKES

CSK1040



SERVICES ONE AXLE

MERITOR "Q", "Q PLUS" TRAILER AXLES WITH BOLT-ON BUSHING

QTY	PART #	DESCRIPTION
2	CS2000	BRACKET
2	CS2003	BRACKET
4	CS3069	SEAL
2	CS3102	WASHER
2	CS3103	WASHER
2	CS3114	WASHER
2	CS3125	WASHER
2	CS3140	LOCK RING
2	CS3142	LOCK RING
2	CS3148	LOCK RING

REPLACES: 43-7072, CQ67416, E-9079HD, K363

CSK1042



SERVICES ONE AXLE

FRUEHAUF EARLY "PROPAR" BRAKE

QTY	PART #	DESCRIPTION
6	CS3104	WASHER
4	CS3009	BUSHING
2	CS3047	BUSHING
2	CS3109	WASHER
2	CS3105	LOCK RING
2	CS3146	LOCK RING

REPLACES: 43-7038, AXA305680-900, CQ66740(2), E-2122, R615006

CSK1044



SERVICES ONE AXLE

HENDRICKSON "INTRAAX" BRAKE

QTY	PART #	DESCRIPTION
2	CS2000	BRACKET
2	CS3021	BRONZE BUSHING
4	CS3065	SEAL
2	CS3102	WASHER
8	CS3103	WASHER
4	CS3116	WASHER
2	CS3119	WASHER
2	CS3143	LOCK RING
2	CS3144	LOCK RING

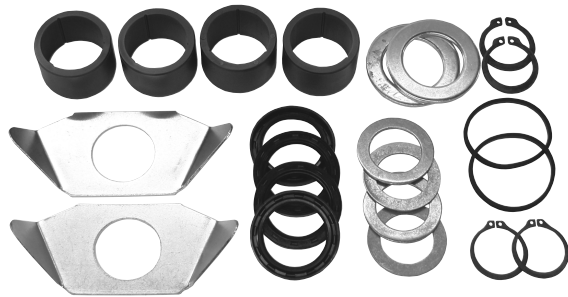
REPLACES: 43-7090, E-9791HD, R615020, S-21181

CAMSHAFT REPAIR KITS

FOR 16 1/2" DIAMETER BRAKES



CSK1046



SERVICES ONE AXLE

MACK WITH MERITOR 50,000# "Q" REAR AXLE

QTY	PART #	DESCRIPTION
4	CS3002	BUSHING
4	CS3071	SEAL
2	CS3072	GASKET
2	CS3101	WASHER
4	CS3102	WASHER
2	CS3130	WASHER
2	CS3140	LOCK RING
2	CS3142	LOCK RING

REPLACES: E-5094A, CQ66939

CSK1048



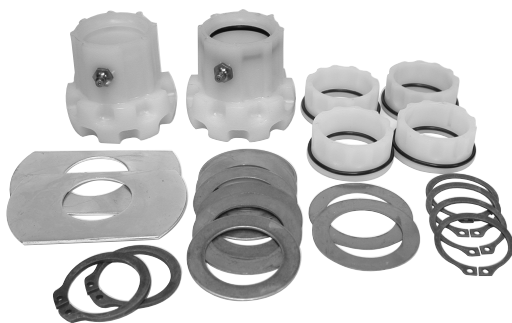
SERVICES ONE AXLE

MACK WITH MERITOR "P" AND "Q" DRIVE AXLES

QTY	PART #	DESCRIPTION
4	CS3002	BUSHING
4	CS3071	SEAL
2	CS3072	GASKET
4	CS3104	LOCK RING
2	CS3107	WASHER
2	CS3109	WASHER
2	CS3130	WASHER
2	CS3144	LOCK RING

REPLACES: CQ67413, E-9080

CSK1050



SERVICES ONE AXLE

MERITOR EARLY MODEL "P" BRAKE

QTY	PART #	DESCRIPTION
4	CS3011	NYLON BUSHING
2	CS3045	BUSHING
2	CS3107	WASHER
6	CS3109	WASHER
2	CS3119	WASHER
2	CS3144	LOCK
4	CS3145	LOCK

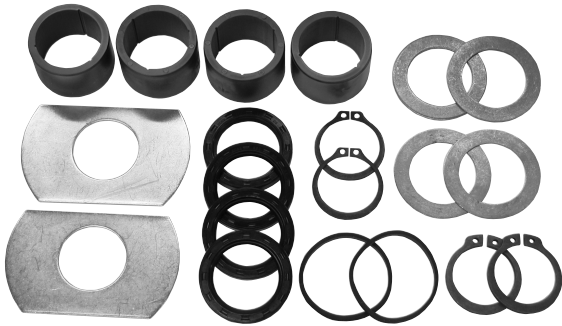
REPLACES: 43-7036, 43-7036A, E-1357A, KIT9037



CAMSHAFT REPAIR KITS

FOR 16 1/2" DIAMETER BRAKES

CSK1052



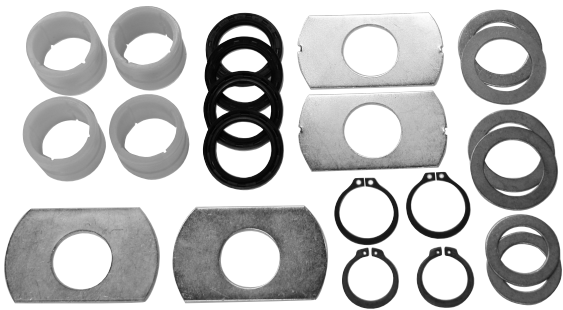
SERVICES ONE AXLE

MERITOR "P" DRIVE AXLES

QTY	PART #	DESCRIPTION
4	CS3002	BUSHING
4	CS3071	SEAL
2	CS3072	SEAL
2	CS3107	WASHER
2	CS3109	WASHER
2	CS3119	WASHER
2	CS3144	LOCK RING
2	CS3145	LOCK RING

REPLACES: 6-2250, CQ67327, E-2086A, E-2086B, K81, KIT9078

CSK1053



SERVICES ONE AXLE

MERITOR "P" DRIVE AXLES

QTY	PART #	DESCRIPTION
4	CS3001	BUSHING
4	CS3071	SEAL
2	CS3102	WASHER
2	CS3107	WASHER
2	CS3109	WASHER
2	CS3119	WASHER
2	CS3120	WASHER
2	CS3142	LOCK RING
2	CS3145	LOCK RING

REPLACES: 43-7047

CSK1054



SERVICES ONE AXLE

MERITOR "P" SERIES TRAILER BRAKE

QTY	PART #	DESCRIPTION
2	CS2000	BRACKET
2	CS3010	NYLON BUSHING
2	CS3060	O-RING
2	CS3071	SEAL
8	CS3103	WASHER
2	CS3144	LOCK RING
4	CS3145	LOCK RING

REPLACES: 6-2708, 43-7046A, CQ67385, E-2679AHD, K149, KIT9035

CAMSHAFT REPAIR KITS

FOR 16 1/2" DIAMETER BRAKES



CSK1056



SERVICES ONE AXLE

MERITOR "P" LATE MODEL TRAILER BRAKE WITH 1-1/2" DIAMETER CAMSHAFTS

QTY	PART #	DESCRIPTION
2	CS2000	BRACKET
2	CS3028	BUSHING ASSEMBLY
8	CS3103	WASHER
2	CS3144	LOCK RING
4	CS3145	LOCK RING

REPLACES: 6-2249, 43-7044, E-2088AHD, K368, KIT8046

CSK1060



SERVICES ONE AXLE

STANDARD FORGE AND SPICER LATE MODEL AXLES WITH WELD ON SPIDER

QTY	PART #	DESCRIPTION
2	CS3000	BUSHING
2	CS3041	BUSHING
4	CS3066	SEAL
4	CS3102	WASHER
2	CS3108	WASHER
2	CS3109	WASHER
2	CS3116	WASHER
2	CS3140	LOCK RING
2	CS3142	LOCK RING
4	CS3145	LOCK RING

REPLACES: 6-2254, 43-7032, 43-7037B, CQ67332, E2287, K343, M16K120, R615008

CSK1062



SERVICES ONE AXLE

STANDARD FORGE AND SPICER LATE MODEL AXLES

QTY	PART #	DESCRIPTION
2	CS3021	BRONZE BUSHING
2	CS3040	BUSHING
4	CS3062	O-RING
4	CS3065	SEAL
2	CS3109	WASHER
2	CS3116	WASHER
2	CS3119	WASHER
4	CS3145	LOCK RING

REPLACES: 6-2255, 43-7030, CQ67353(2), E-2680, K99, R615007



CAMSHAFT REPAIR KITS

FOR 16 1/2" DIAMETER BRAKES

CSK1064



SERVICES ONE AXLE

SPICER BRAKE WITH 1-5/8" CAMSHAFT

QTY	PART #	DESCRIPTION
2	CS3023	BRONZE BUSHING
2	CS3042	BUSHING
4	CS3069	SEAL
4	CS3102	WASHER
2	CS3109	WASHER
2	CS3127	WASHER
2	CS3129	WASHER
2	CS3140	LOCK RING
2	CS3146	LOCK RING

REPLACES: CQ67111, E-9790A, R615019

CSK1066



SERVICES ONE AXLE

MERITOR "P", "Q" AND "Q-PLUS" MINOR KITS
(SERVICES TWO CAM TUBE ENCLOSURES)

QTY	PART #	DESCRIPTION
4	CS3002	BUSHING
4	CS3071	SEAL

REPLACES: 43-7048A, CQ66940, E-5513, KIT8033

CSK1068



SERVICES ONE SPIDER

MERITOR "Q" AND "Q-PLUS" TRAILER AXLES MINOR KITS

QTY	PART #	DESCRIPTION
1	CS2003	BRACKET
2	CS3069	SEAL
1	CS3125	WASHER
1	CS3116	WASHER
1	CS3148	LOCK RING

REPLACES: 43-7072A-1, CQ66941, E-6078, K313, KIT8289

CAMSHAFT REPAIR KITS

FOR 16 1/2" DIAMETER BRAKES



CSK1070



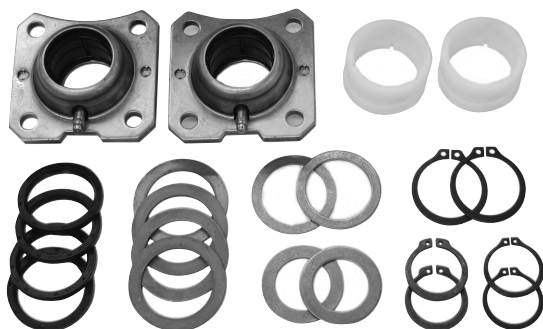
SERVICES ONE AXLE

MERITOR 4000-6000 TRAILER AXLE WITHOUT SUPPORT BRACKET

QTY	PART #	DESCRIPTION
2	CS3007	BUSHING
2	CS3029	BUSHING ASSEMBLY
4	CS3062	O-RING
2	CS3102	WASHER
2	CS3103	WASHER
4	CS3106	WASHER
2	CS3140	LOCK RING
2	CS3142	LOCK RING
2	CS3146	LOCK RING

REPLACES: 43-7037, CQ67334, E-2382, K-97, KIT970

CSK1072



SERVICES ONE AXLE

MERITOR 4000-6000 TRAILER AXLE (ALTERNATE FOR CSK1030)

QTY	PART #	DESCRIPTION
2	CS2000	BRACKET
2	CS3006	NYLON BUSHING
4	CS3068	SEAL
2	CS3102	WASHER
2	CS3103	WASHER
4	CS3106	WASHER
2	CS3140	LOCK RING
2	CS3142	LOCK RING
2	CS3146	LOCK RING

REPLACES: E-3989AHD

CSK1074



SERVICES ONE AXLE

STANDARD FORGE AND KERSHAW (DANA) EARLY AXLES

QTY	PART #	DESCRIPTION
2	CS3000	BUSHING
2	CS3001	BUSHING
4	CS3066	SEAL
4	CS3071	SEAL
2	CS3109	WASHER
2	CS3116	WASHER
2	CS3119	WASHER
4	CS3145	LOCK RING

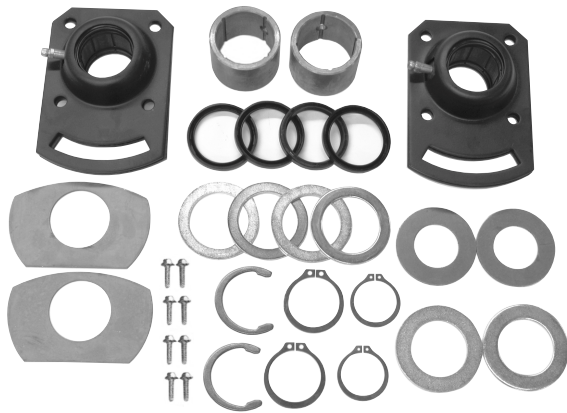
REPLACES: 6-2712, 43-7029, CQ67331, E2087, K346, R615009



CAMSHAFT REPAIR KITS

FOR 16 1/2" DIAMETER BRAKES

CSK1080



SERVICES ONE AXLE

FOR SPICER TRAILER AXLE BRAKE 12-1/4" AND 16-1/2" (STD. AND "XL" BRAKES)

QTY	PART #	DESCRIPTION
1	CS2014L	BRACKET
1	CS2014R	BRACKET
2	CS3140	LOCK RING
2	CS3145	LOCK RING
2	CS3148	LOCK RING
4	CS3069	SEAL
2	CS3023	BUSHING
2	CS3127	WASHER
2	CS3110	WASHER
2	CS3129	WASHER
2	CS3106	WASHER
2	CS3113	WASHER
8	*	SELF TAPPING SCREW

* SOLD IN INT ONLY

REPLACES: 43-7117

CSK1081



SERVICES ONE AXLE

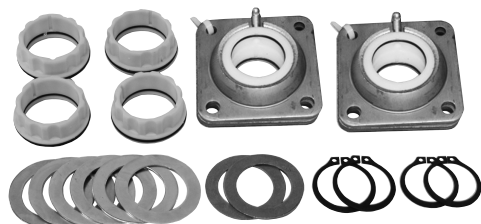
FOR SPICER TRAILER AXLE BRAKE 12-1/4" AND 16-1/2" (STD. AND "XL" BRAKES)

QTY	PART #	DESCRIPTION
1	CS2014L	BRACKET
1	CS2014R	BRACKET
2	CS3021	BUSHING
2	CS3109	WASHER
2	CS3116	WASHER
2	CS3121	WASHER
2	CS3140	LOCK RING
2	CS3145	LOCK RING
4	CS3065	SEAL
2	CS3110	WASHER
2	CS3129	WASHER
2	CS3113	WASHER
8	*	SELF TAPPING SCREW

* SOLD IN KIT ONLY

REPLACES: 43-7118

CSK1083



FOR FRUEHAUF LATE "PROPAR" "XEM" AND "FQ" SERIES 16-1/2" BRAKE

QTY	PART #	DESCRIPTION
4	CS3004	BUSHING
2	CS3043	BUSHING
2	CS3109	WASHER
6	CS3115	WASHER
2	CS3145	LOCK RING
2	CS3146	LOCK RING
2	*	BRACKET

* SOLD IN INT ONLY

REPLACES: 43-7039A

CAMSHAFT KIT COMPONENTS

SUPPORT ASSEMBLIES AND PARTS



CS2000



For multiapplications

Replaces: A-3105-V-282, C66549, E-1318A, L2854

Zerk screw in plate.

CS2005



For Spicer Std Forge 12-1/4" Brake.
Use with CS3041 Bushing

Replaces: 209999-019, E-2103, L1718, M12WH112X, R630002

CS2020

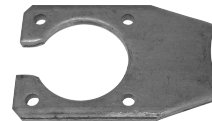


For multi applications

Replaces: 30-1358, E-1318AHD

Zerk screw in bushing.

CS2006



For Meritor 5" Round Axles

Replaces: 30-1373, A-3299-T-5844, C63143, E-2477B, L1642

CS2001



For Spicer-Std Forge 16-1/2" Brake.
Use with CS3041

Replaces: 30-1357, 209999-018, E-2104, L1198, M16WH113X, R630003

CS2007



For Fruehauf 16-1/2" Brake

Replaces: 30-1398, ACD2282-2/3, ACF4024-900/1, C63137, E-4594, R630009

CS2002



For Spicer-Std Forge Brakes

Replaces: 30-1385, 209108-001, E-2365, L2387

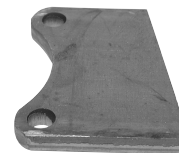
CS2008



For Fruehauf 12-1/4" & 16-1/2" Brake

Replaces: ACF4021-1, ACF4022-1, E-4587, L2711, R630007

CS2009



For Fruehauf 16-1/2" Axle Bracket

Replaces: 30-1392, ACF4024-1, C63127, E-4586, L2712, R630006

CS2003

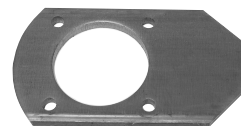


For Meritor "Q" and "Q-Plus" 16-1/2" Trailer Axles. Powdered Metal.

I.D. 1-5/8"
Length 1-13/16"

Replaces: A-3105-L-1078, C63140 E-6076, L-3033/43

CS2010



For Meritor 4" x 6" Axles, Mounting Screws not included

Replaces: 30-1361, E-1319A, KIT1759, L1649

CS2004



For Early Meritor Axles. **Use with CS3045 Bushing**

Replaces: 30-1362, 1205-N-430, C65565, E-603, L242

CS2014L CS2014R



Retro-fit camshaft support bushing assembly

Replaces: 30-1341L, 30-1341R L3484/L3485, E-11445/E-11446

CS3008



Nylon - For Meritor 15" "T" Brake & Eaton 15" Brake

O.D. 1-7/8"
I.D. 1-1/4"
Length 1-5/32"

Replaces: 28-1363, 1225-M-897, C66690, E-3447, L1746

CS3001



Nylon - For Std. Forge & Eaton Trailer Axles

O.D. 1-7/8"
I.D. 1-1/2"
Length 1-1/4"

Replaces: 28-1233, C65329, E-536, L166

CS3009



Nylon - For Eaton 15" x 4" Brake & Fruehauf Axles

O.D. 1-7/8"
I.D. 1-1/4"
Length 1-5/16"

Replaces: 28-1264, 1008220, C66837, E-5127, L2831, R627029

CS3020



Bronze - For Bendix 16-1/2" Brake

O.D. 1-7/8"
I.D. 1-1/2"
Length 1-1/4"

Replaces: 1225-R-512, 405106, C63109, E-667, L330

CS3012



Nylon - For Meritor 16-1/2" "P" & "Q" Brakes

O.D. 1-3/4"
I.D. 1-1/2"
Length 1-3/16"

Replaces: 28-1253, 1225-J-634, E-1271, L1767

CS3000

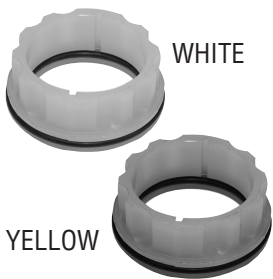


Nylon - For Spicer Std. Forge 16-1/2" Brake

O.D. 1-7/8"
I.D. 1-1/2"
Length 1-1/2"

Replaces: 28-1232, 405129, C65384, E-759, L1536, M10WJ109, R617003

CS3011



Nylon (Yellow, White) - For Meritor Early Model "P" Brake

O.D. 1-7/8"
I.D. 1-1/2"
Length 7/8"

Replaces: 28-1235, ACA3265/6, C65368, E-943, L752, R000943

CS3021



Bronze - For multiapplications

O.D. 1-7/8"
I.D. 1-1/2"
Length 1-1/2"

Replaces: 28-1231, C65359, E-807, L402, M16HD100, R657001

CS3002



Greaseless Nylatron - For multiapplications

O.D. 1-7/8"
I.D. 1-1/2"
Length 1-3/16"

Replaces: 1225-L-1208, C63107, E-5512, L3029

CS3010



Nylon - For Meritor "P", "Q" 16-1/2" Trailer Brake and TKL Axles

O.D. 1-7/8"
I.D. 1-1/2"
Length 1-23/32"

Replaces: 28-1260, 1225-X-804, C67018, E-2551, L1641

CAMSHAFT KIT COMPONENTS

BUSHINGS



CS3003



Nylon - For Standard Forge and Spicer

O.D. 1-7/8"
I.D. 1-1/2"
Length 2"

Replaces: 28-1257, 405109, E-661, L266, M10WJ178,

CS3042



Greaseless Nylonatron - For Spicer & Std. Forge 16-1/2" Early Model Axles

O.D. 2-15/32"
I.D. 1-1/2"
Length 1-3/4"

Replaces: E-9792A, L3146, M10WJ237X

CS3022



Bronze - For Hendrickson "Intraax" 16-1/2" brake.

O.D. 2"
I.D. 1-1/2"
Length 1-1/2"

Replaces: E-11449

CS3044



Nylon - For Eaton 12-1/4" & 16-1/2" Brakes

O.D. 2-3/4"
I.D. 1-1/2"
Length 2"

Replaces: 27-1199, 820185, B2028A, C67361, E-1385, L1594, R627009

CS3007



Nylon - For 16-1/2" Brake. Use with CS2000.

O.D. 2-1/8"
I.D. 1-1/2"
Length 1"

Replaces: 27-1197, 1225-R-1058, C66646, E-2361, L1730

CS3045



Nylon - For Meritor 16-1/2" "P" Early Model Axles

O.D. 2-3/4"
I.D. 1-1/2"
Length 2-15/32"

Replaces: 27-1200, A-3299-G-1541, C65330, E-535, L167

CS3040



Nylon - For Spicer Late Model 16-1/2" Brake

O.D. 2-15/32"
I.D. 1-1/2"
Length 1-1/2"

Replaces: 27-1191, C67358, E-2517, L1711, M10WJ100, R617008

CS3046



Nylon - For Eaton Trailer Axles and "501" Series Brake

O.D. 2-3/4"
I.D. 1-1/2"
Length 2-1/2"

Replaces: 27-1196, 1002262, C67362, E-2695, L1598, R617006

CS3041



Nylon Self-Aligning - For Std. Forge & Spicer Axles with 16" Brakes

O.D. 2-15/32"
I.D. 1-1/2"
Length 1-3/4"

Replaces: 27-1195, 405128, C65476, E-2102, L1199, M10WJ107, R617002

CS3043



Nylon - For Fruehauf Axle Late Models

O.D. 2-1/2"
I.D. 1-19/32"
Length 1/2"

Replaces: 27-1194, ACD2285-900, C66645, E-1577A, L1191, R617009

CS3047



Nylon - For Fruehauf Axles

O.D. 2-7/8"
I.D. 1-19/32"
Length 2-1/2"

Replaces: 27-1198, AXA0429-900, C65380, E-1571, L898, R617007

CS3006



Nylon - For Eaton 16-1/2" "501" & "ES" Brakes & Meritor 16-1/2" 4000-6000

O.D. 2"
I.D. 1-5/8"
Length 1-3/16"

Replaces: 28-1238, 1002248, 1008412, C67364, E-2690A, R617005

CS3005



Nylon - For Meritor 15" "Q" Front Brakes

O.D. 1-1/4"
I.D. 1-5/8"
Length 1-3/16"

Replaces: 28-1265, 1225-R-1136, C63104, E-3877, L2939

CS3023



Bronze - For Spicer Standard Forge 16-1/2" Early Model Axles

O.D. 2"
I.D. 1-5/8"
Length 1-1/2"

Replaces: C63113, E-9789, L3127, M16HD106, R627034

CS3013



Nylon - For Meritor 16-1/2" Brake "P" "Q" 4000 & 6000 Series

O.D. 1-7/8"
I.D. 1-5/8"
Length 1-1/8"

Replaces: 28-1241, 1225-B-834, E-2408, L1296

CS3026



Steel - For Meritor 16-1/2" "P" Brake. Use with CS3012

O.D. 1-7/8"
I.D. 1-3/4"
Length 1-5/16"

Replaces: 28-1252, 1225-A-781, E-2380, L1766

CS3004



Nylon (White) - For Fruehauf 12-1/4" & 16-1/2" "Propar" Late Axle Models

O.D. 2"
I.D. 1-5/8"
Length 7/8"

Replaces: 28-1237, AXA0413-900, C65378, E-1567, L896, R657003

CS3027



Steel - For Meritor 4000-6000 Series Brakes. Use with CS3013

O.D. 2"
I.D. 1-7/8"
Length 1-5/16"

Replaces: 28-1240, 1225-A-833, E-2407, L1294

CS3025



Powdered Metal For Meritor Cast Spider

O.D. 2"
I.D. 1-5/8"
Length 1"

Replaces: 1225-N-1158, C63112, E-6080, L2942

CS3028



Bushing Ass'y for 1-1/2" Camshaft For Meritor 5000 Series Axle

CS3026 Outer Bushing
CS3012 Inner Bushing
CS3060 O-Ring
CS3065 O-Ring

Replaces: 28-1255, C65375, E-2291, KIT9036, L891

CAMSHAFT KIT COMPONENTS



BUSHINGS / SEALS

BUSHING

CS3029



Bushing Ass'y for 1-5/8" Camshaft
For Meritor 4000-6000 Series Axle

CS3027 Outer Bushing
CS3013 Inner Bushing
CS3061 O-Ring
CS3069 O-Ring

Replaces: 28-1243, C66831, E-2760,
KIT9034, L1305

SEALS

CS3070



For Meritor 15" "T" Brake

O.D. 2-1/16"
I.D. 1-7/32"
Thickness 1/4"

Replaces: 29-1283, A-1205-P-1602,
C66691, E-3469, L1744

CS3063



For Meritor 15" x 4" "Q" Front Brakes

O.D. 1-3/4"
I.D. 1-3/16"
Thickness 1/4"

Replaces: A-1205-D-2110, C63150,
E-3878, L2938

CS3064



For Eaton 15" Drive Axles "ES" Brakes

O.D. 1-7/8"
I.D. 1-1/4"
Thickness 1/16"

Replaces: 29-1285, 1005846,
C66838, E-5128, L2830,
R627030

CS3065



For 16-1/2" Brake

O.D. 1-7/8"
I.D. 1-1/2"
Thickness 3/16"

Replaces: 29-1269, 1205-M-1105,
C65383, E-1416, L1770,
M16HH100, R627018

CS3066



For Eaton & Spicer 12-1/4" Brake

O.D. 1-7/8"
I.D. 1-1/2"
Thickness 1/4"

Replaces: 29-1266, 40864, 79903,
B1736-1, C66563, E-1416A,
L966, R627008

CS3067



For Hendrickson "Intraax" 16-1/2"
Brake

O.D. 2"
I.D. 1-1/2"
Thickness 3/16"

Replaces: E-2717, L1687, R627026

CS3068



Use with CS3006 in Meritor 4000-
6000 Trailer Axles

O.D. 2"
I.D. 1-5/8"
Thickness 3/16"

Replaces: 29-1271, E-3991

CS3069



For 16-1/2" Brake

O.D. 2"
I.D. 1-5/8"
Thickness 1/4"

Replaces: 29-1274, 1205-Q-2123,
1205-U-1451, 1002279,
C65491, E-2405, L1293,
L2941

CS3071



For Meritor 16-1/2" "T" Brake

O.D. 2-1/16"
I.D. 1-1/2"
Thickness 1/4"

Replaces: 29-1270, 1205-V-1556,
82006, C65352, E-654,
L329, L1726, M10HH136

SEAL O-RINGS

CS3060



For Meritor 16-1/2" Brake

O.D. 1-3/4"
I.D. 1-31/64"
Thickness 1/8"

Replaces: 29-1267, 1205-N-924,
E-1272, L1768

CS3061



For Meritor 4000-6000 Series Brake

O.D. 1-7/8"
I.D. 1-5/8"
Thickness 1/8"

Replaces: 29-1275, 1205-V-1452,
C65494, E-2406, L1295

CS3072



Gasket Seal For Meritor 16-1/2" Brake

O.D. 2-1/16"
I.D. 1-7/8"
Thickness 1/8"

Replaces: 30-1375, 1205-G-761,
1779-J-1024, C65750,
E-3859, L3056

CS3062



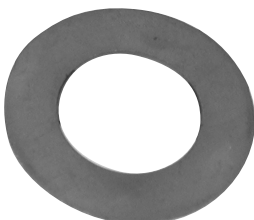
For Meritor 16-1/2" Brake

O.D. 1-1/2"
I.D. 1-29/32"
Thickness 13/32"

Replaces: 27-1208, 1205-X-726,
E-1314, L1729

WASHERS

CS3104

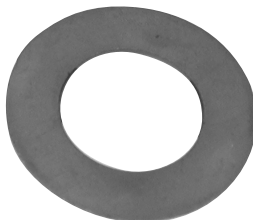


For 16-1/2" Eaton & Bendix Brake

O.D. 2"
I.D. 1-9/64"
Thickness 1/32"

Replaces: 29-1320, 23570, C67374,
E-1781, L1608, R627006

CS3105



For 16-1/2" Eaton & Bendix Brake

O.D. 2"
I.D. 1-9/64"
Thickness 1/16"

Replaces: 29-1321, 35428, C67375,
E-1782, L1609, R627005

CS3101



For Mack 50,000 Meritor "Q" Brakes

O.D. 1-7/8"
I.D. 1-1/4"
Thickness 1/32"

Replaces: 1229-J-3130, C65381,
E-5095

CS3110



For Eaton 15" "ES" Brake

O.D. 2-1/4"
I.D. 1-1/4"
Thickness 1/16"

Replaces: 29-1344, 1005202, C66839,
E-5137, L2832, R627031

CS3111



For Eaton Front Axle 15" Brake

O.D. 2-1/4"
I.D. 1-1/4"
Thickness 1/32"

Replaces: 29-1346, 1005203,
C66840, E-5138, L2833,
R627032

CS3102



For Meritor 12-1/4" and 16-1/2" "Q" Brakes

O.D. 1-7/8"
I.D. 1-17/64"
Thickness 1/16"

Replaces: 35-1580, 1229-B-1848,
C65373, E-1113, L889

CAMSHAFT KIT COMPONENTS



WASHERS

CS3112



For Meritor 15" "T" & "Q" Brakes

O.D. 2-3/8"
I.D. 1-9/32"
Thickness 1/8"

Replaces: 29-1330, 1229-Q-277,
C66693, E-3476, L1747

CS3113

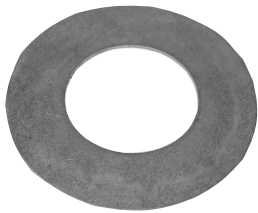


For Meritor 16-1/2" "Q" & "Q-Plus"
Brake

O.D. 2-3/8"
I.D. 1-1/2"
Thickness 7/64"

Replaces: 29-1345, 1229-S-2697,
C66699, E-3479, L2928

CS3117



For Meritor 15" "T" Brakes

O.D. 2-7/16"
I.D. 1-9/32"
Thickness 1/32"

Replaces: 29-1334, 1107-D-56,
E-3475, L1748

CS3126

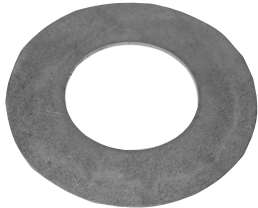


For Meritor 16-1/2" "T" Series Brakes

O.D. 2-3/4"
I.D. 1-1/2"
Thickness 1/8"

Replaces: 29-1333, 1229-P-302,
C66697, E-3472, L1753

CS3118



For Meritor 15" "T" Brake

O.D. 2-1/2"
I.D. 1-5/16"
Thickness 1/16"

Replaces: 29-1338, 1229-B-236,
C66692, E-3471, L1743

CS3119



For Meritor 16-1/2" Brake

O.D. 3-7/8"
I.D. 1-1/2"
Thickness 1/16"

Replaces: 29-1310, 1229-E-837,
1229-G-1463, 219158,
B1212-1, C65340, E-656,
L202, M10HN152

CS3124



For Eaton 15" & 16-1/2" Drive Axle

O.D. --
I.D. 1-1/2"
Thickness 1/16"

Replaces: 806380, C63163, E-5482,
L2963, R627033

CS3120



For Meritor "P" Brake and 1-1/2"
Camshafts

O.D. 3-7/8"
I.D. 1-1/2"
Thickness 1/16"

Replaces: 29-1340, 1229-L-844,
L2926

CS3131



Nylon - For Meritor 15" x 4" "T"
Brakes

O.D. 1-7/8"
I.D. 1-1/2"
Thickness 9/32"

Replaces: 29-1336, L1745

CS3123



For 16-1/2" "Q" Brakes

O.D. 5-13/16"
I.D. 1-1/2"
Thickness 1/16"

Replaces: 29-1339, 1229-N-2250,
C67001, E-3478, L2927

CS3128



For Meritor 15" "T" Brake and Eaton 12-1/4" Late Model Trailer Axle

O.D. 3-1/8"
I.D. 1-33/64"
Thickness 1/16"

Replaces: 29-1337, 1229-E-811, C66696, E-3473, L1724

CS3109

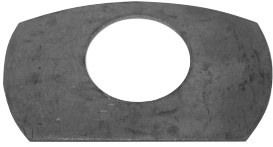


For Eaton 12-1/4" & 16-1/2" Brake

O.D. 2-1/4"
I.D. 1-17/32"
Thickness 1/16"

Replaces: 29-1307, 1229-R-122, C65339, E-580, L193

CS3121



For 12-1/4" Spicer Std. Forge U-Brake

O.D. 3-7/8"
I.D. 1-17/32"
Thickness 1/16"

Replaces: 29-1319, 403150, C65488, E-2404, L1372, M10HS115, R627024

CS3100



For Spicer- Standard Forge 12-1/4" Brakes

O.D. 3-1/2"
I.D. 1-17/32"
Thickness 37/64"

Replaces: 29-1318, 403112, C67804, E-1408, L1719

CS3103



For 16-1/2" Brake

O.D. 2"
I.D. 1-17/32"
Thickness 1/16"

Replaces: 29-1309, 1229-J-868, C65373, E-564, L120, M10HN139

CS3116



For 12-1/4" & 16-1/2" Brake

O.D. 2-7/16"
I.D. 1-9/16"
Thickness 1/8"

Replaces: 29-1311, 1229-M-559, 403105, C65374, E-719, L344, M10HS117

CS3107

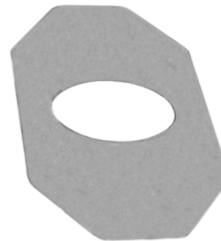


For Universal for 1-1/2" camshafts

O.D. 2-1/4"
I.D. 1-17/32"
Thickness 1/32"

Replaces: 29-1308, 1229-Q-771, 219292, C65338, E-581, L192

CS3132



For Hendrickson "Intraax" 16-1/2" Brake

O.D. 5-3/4"
I.D. 1-9/16"
Thickness 1/16"

Replaces: --

CS3108



For Late Model Std. Forge-Spicer Forge 12-1/4" Brake

O.D. 2-1/4"
I.D. 1-17/32"
Thickness 3/32"

Replaces: 29-1326, 403149, C66859, E-2409, FC031954, L1371, R627025

CS3133



For Meritor 16-1/2" "Q-Plus" Brake

O.D. 2-1/4"
I.D. 1-5/8"
Thickness 1/32"

Replaces: 1229-B-4136, C63157, E-9074, L3068

CAMSHAFT KIT COMPONENTS



WASHERS

CS3106



For 12-1/4" & 16-1/2" Brake

O.D. 2-1/4"
I.D. 1-5/8"
Thickness 1/16"

Replaces: 29-1312, 1229-F-2502,
1229-X-3118, C66852,
E-2411A, L1297, L2947,
M10HS147

CS3114



For Meritor 16-1/2" "Q-Plus" with
bolt-on bushing

O.D. 2-3/8"
I.D. 1-41/64"
Thickness 3/32"

Replaces: 1229-S-4101, C63158,
E-9072, L3058

CS3125



For Meritor "Q-Plus" Trailer Axles with
FAB Spider

O.D. 2-11/16"
I.D. 1-5/8"
Thickness 1/4" Cup

Replaces: 1229-R-4100, C63164,
E-6077, L3057

CS3134



For Meritor "Q" Trailer Axles with
1-5/8" camshaft

O.D. 2-3/8"
I.D. 1-41/64"
Thickness 11/32"

Replaces: 1229-C-4137, C63153,
E-9075, L2944

CS3122

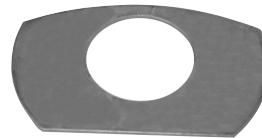


For Meritor 16-1/2" "Q-Plus" Brakes

O.D. 3-7/8"
I.D. 1-5/8"
Thickness 1/16"

Replaces: 1229-A-4135, C63166,
E-9073, L2945

CS3129



For Spicer with 1-5/8" Camshaft

O.D. 2-7/16"
I.D. 1-11/16"
Thickness 1/16"

Replaces: E-10801, M10HS147,
R627044

CS3130



For Mack "Q" 50,000 Brakes

O.D. --
I.D. 1-41/64"
Thickness 1/16"

Replaces: 1229-E-4685, C63165,
E-9071, L3041

CS3127



For Spicer 16-1/2" & 12-1/4" Brake
with 1-5/8" Camshaft

O.D. 2-7/16"
I.D. 1-11/16"
Thickness 1/8"

Replaces: E-10800, L3178,
M10HS143, R627043

CS3115



For 16-1/2" Brake

O.D. 2-3/8"
I.D. 1-41/64"
Thickness 1/16"

Replaces: 29-1322, C65377,
AXA0417-1, E-1565,
L895, R627002

CS3141



For Meritor 15" Brake

O.D. --
I.D. 31/32"
Thickness 3/32"

Replaces: 1229-J-4092, C63146,
E-9076, L2940

CS3145



For 12-1/4" & 16-1/2" Brake

O.D. --
I.D. 1-31/64"
Thickness 1/16"

Replaces: 29-1301, 1229-B-1302,
1229-H-866, 1229-Z-1118
219160, B1716, C65318,
E-526, L137

CS3140



For Meritor 12-1/4", 15" & 16-1/2"
Brake

O.D. --
I.D. 1-1/8"
Thickness 1/16"

Replaces: 34-1525, 1229-X-1116,
C65358, E-801, L397

CS3147



For 1-1/2" Diameter Camshaft Brake

O.D. --
I.D. 1-1/2"
Thickness 1/16"

Replaces: 29-1315, C65452, E-910,
L467, R627014

CS3142



For Meritor 15" & 16-1/2" Brakes

O.D. --
I.D. 1-5/32"
Thickness 3/32"

Replaces: 34-1547, 1229-D-2942,
C66698, E-5093, L331

CS3146



For Meritor 16-1/2" Brake

O.D. --
I.D. 1-1/2"
Thickness 1/16"

Replaces: 29-1302, 1229-A-1119,
1229-D-3124, AXA0418-1,
C65379, E-1569, L897,
R627017

CS3143



For Hendrickson 16-1/2" "Intraax"
Brakes

O.D. --
I.D. 1-5/16"
Thickness 1/16"

Replaces: 29-1306, E-2720,
FC031955, R627027

CS3148



For Meritor 16-1/2" Brake

O.D. --
I.D. 1-5/8"
Thickness 3/32"

Replaces: 29-1305, 1229-T-4102,
C63148, E-9077, L1610

CS3144



For Meritor, Hendrickson Brake

O.D. --
I.D. 1-3/8"
Thickness 3/32"

Replaces: 1229-Q-2851, C65700,
E-4736, L2900,

CS3149



For Eaton 15" & 16-1/2" Drive Axles

I.D. --
O.D. --
Thickness --

Replaces: 29-1303, 804017, C67457,
E-3234, L1606, R627012