

AIR ASSEMBLIES

POLAR AIR®

Large, 5" coil diameter to improve flexibility

Pre-applied thread sealant provides air tight seal*

Jacketing provides superior recoil memory, chemical and abrasion resistance

Remains flexible to -85°F for extreme cold weather protection

Extra long spring for strain relief and to prevent kinking*

Three-piece swivel factor side fitting

POWER GRIP™ long brass handle for easy coupling/uncoupling

PolarAir®
EXTREME
COLD WEATHER
AIR COIL



* Standard on all Phillips air coils

COILED AIR

POLAR AIR®

3 YEAR WARRANTY
See website for details



- REMAINS FLEXIBLE AT -85°F (-65°C)!
- FOR EXTREME WEATHER CONDITIONS
- Excellent recoil memory, chemical and abrasion resistance
- Jacketing prevents fractures and provides durable rubber feel
- Large coil diameter prevents kinking and provides greater recoil
- POWER GRIP™ gladhand extension provides superior coupling/uncoupling leverage
- Single piece trailer side and three-piece swivel tractor side fittings
- 1/2" NPTF
- Meets SAE J844 and J1131 specifications
- Meets DOT 49 CFR FMVSS 571.106 specifications
- Meets DOT 49 CFR FMVSS 393.45 specifications
- As a recommended practice, use a tracker bar spring kit or pogo stick to support cable assemblies with longer leads

8' Working Length	
Part No.	Description
11-5110	Pair (red and blue)

12' Working Length	
Part No.	Description
11-5120	Pair (red and blue)

12' Working Length with 40" Lead	
Part No.	Description
11-5300	Pair (red and blue) with 40" lead

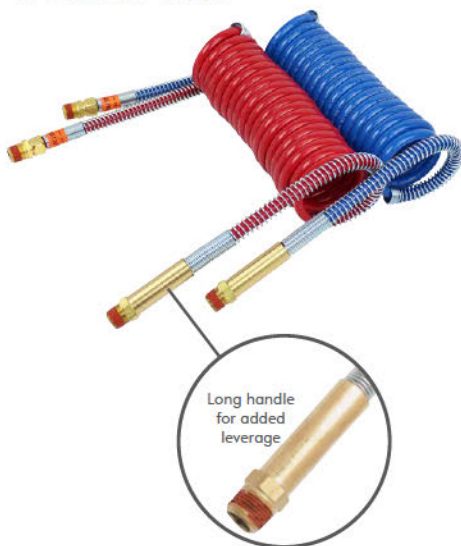
15' Working Length	
Part No.	Description
11-5150	Pair (red and blue)
11-5151	Red (emergency) coil only
11-5152	Blue (service) coil only

15' Working Length with 40" Lead	
Part No.	Description
11-5400	Pair (red and blue) with 40" lead
11-5401	Red (emergency) coil only, with 40" lead
11-5402	Blue (service) coil only, with 40" lead

20' Working Length	
Part No.	Description
11-5200	Pair (red and blue)

20' Working Length with 40" Lead	
Part No.	Description
11-5240	Pair (red and blue)

POWER GRIP™



Long handle for added leverage

- POWER GRIP™ gladhand extension provides superior coupling/uncoupling leverage
- Includes thread seal for secure connection to gladhand and chassis
- Single piece trailer side and three-piece swivel tractor side fittings
- Remains flexible at -40°F (-40°C)
- 1/2" NPTF

12' Working Length	
Part No.	Description
11-3120	Pair (red and blue)
11-3100	Red (emergency) coil only
11-3110	Blue (service) coil only

15' Working Length	
Part No.	Description
11-3150	Pair (red and blue)
11-3170	Red (emergency) coil only
11-3180	Blue (service) coil only

15' Working Length with 40" Lead	
Part No.	Description
11-3400	Pair (red and blue), with 40" lead
11-3380	Red (emergency) coil only, with 40" lead
11-3390	Blue (service) coil only, with 40" lead

- Meets SAE J844 and J1131 specifications
- Meets DOT 49 CFR FMVSS 571.106 specifications
- Meets DOT 49 CFR FMVSS 393.45 specifications
- As a recommended practice, use a tracker bar spring kit or pogo stick to support cable assemblies with longer leads

Heavy Duty Coiled Air



12' Working Length	
Part No.	Description
11-312	Pair (red and blue)
11-310	Red (emergency) coil only
11-311	Blue (service) coil only

12' Working Length with 48" Lead	
Part No.	Description
11-333	Pair (red and blue), with 48" lead
11-331	Red (emergency) coil only, with 48" lead
11-332	Blue (service) coil only, with 48" lead

15' Working Length	
Part No.	Description
11-315	Pair (red and blue)
11-317	Red (emergency) coil only
11-318	Blue (service) coil only

15' Working Length with 40" Lead	
Part No.	Description
11-340	Pair (red and blue), with 40" lead
11-338	Red (emergency) coil only, with 40" lead
11-339	Blue (service) coil only, with 40" lead

20' Working Length	
Part No.	Description
11-320	Pair (red and blue)
11-321	Red (emergency) coil only
11-322	Blue (service) coil only

- Includes thread seal for secure connection to gladhand
- Single piece trailer side and three-piece swivel tractor side fittings
- Plated steel spring for added tubing protection
- Remains flexible at -40°F (-40°C)
- 1/2" NPTF
- Meets SAE J844 and J1131 specifications
- Meets DOT 49 CFR FMVSS 571.106 specifications
- Meets DOT 49 CFR FMVSS 393.45 specifications
- As a recommended practice, use a tracker bar spring kit or pogo stick to support cable assemblies with longer leads

12' Working Length	
Part No.	Description
11-3129	Pair, with 2 gladhands
11-51209	POLAR AIR® pair, with POWER GRIP™ and 2 gladhands

15' Working Length	
Part No.	Description
11-3159	Pair, with 2 gladhands
11-31509	POWER GRIP™ pair, with 2 gladhands
11-51509	POLAR AIR® pair, with POWER GRIP™ and 2 gladhands

15' Working Length with 40" Lead	
Part No.	Description
11-3409	Pair, with 40" lead and 2 gladhands
11-34009	POWER GRIP™ pair, with 40" lead and 2 gladhands
11-54009	POLAR AIR® pair, with 40" lead, with POWER GRIP™ and 2 gladhands

Coiled Air with Gladhands



- Pre-installed gladhands torqued to factory specifications
- Air coils are built to "working length" to ensure coil does not kink and gladhands are secure under excessive pull force
- Gladhands are built with a heavy gauge powder-coated connector plate for corrosion protection
- Single piece trailer side and three-piece swivel tractor side fittings
- Air coils remain flexible at -40°F (-40°C) with the exception of POLAR AIR® which remains flexible at -85°F (-65°C)
- 1/2" NPTF
- Meets DOT 49 CFR FMVSS 571.106 specifications
- Meets DOT 49 CFR FMVSS 393.45 specifications
- As a recommended practice, use a tracker bar spring kit or pogo stick to support cable assemblies with longer leads

Coiled Air



12' Working Length	
Part No.	Description
11-712	Pair (red and blue)

15' Working Length	
Part No.	Description
11-715	Pair (red and blue)
11-717	Red (emergency) coil only
11-718	Blue (service) coil only

15' Working Length with 40" Lead	
Part No.	Description
11-738	Red (emergency), with 40" lead
11-739	Blue (service) coil only, with 40" lead
11-740	Pair (red and blue), with 40" lead

- Includes thread seal for secure connection to gladhand
- Comes standard with temporary protective fitting caps to shield thread seal and block unwanted debris before installation
- Steel springs for added tubing protection
- Single piece trailer side and four piece swivel tractor side fittings
- 1/2" NPTF
- Meets SAE J844 and J1131 specifications
- Meets DOT 49 CFR FMVSS 571.106 specifications
- Meets DOT 49 CFR FMVSS 393.45 specifications
- As a recommended practice, use a tracker bar spring kit or pogo stick to support cable assemblies with longer leads

Sliding Fifth Wheel Coiled Air



Part No.	Description
11-300	54" extension with 1/4" male pipe thread
11-300KT	11-300 with brass female adapter, 90° elbow fitting and 8" tie
11-302	60" extension with 1/4" quick connect swivel and coil protector
11-303	36" extension with 1/4" male pipe thread



- Brass ends for durability
- Industry standard nylon tubing
- Extra long spring for strain relief

STRAIGHT RUBBER AIR

Rubber Air Lines

8' Working Length	
Part No.	Description
11-81068	Red rubber, with red (emergency) grip
11-81076	Blue rubber, with blue (service) grip
11-81080	Pair, red and blue rubber, with red and blue (emergency and service) grips

12' Working Length	
Part No.	Description
11-8110	Black rubber, with red (emergency) grip
11-8111	Black rubber, with blue (service) grip
11-8112	Pair, black rubber, with red and blue (emergency and service) grips
11-8113	Black rubber, with black (universal) grip
11-81108	Red rubber, with red (emergency) grip
11-81116	Blue rubber, with blue (service) grip
11-81120	Pair, red and blue rubber, with red and blue (emergency and service) grips

15' Working Length	
Part No.	Description
11-8115	Pair, black rubber, with red and blue (emergency and service) grips
11-8117	Black rubber, with red (emergency) grip
11-8118	Black rubber, with blue (service) grip
11-8119	Black rubber, with black (universal) grip
11-81150	Pair, red and blue rubber, with red and blue (emergency and service) grips
11-81178	Red rubber, with red (emergency) grip
11-81186	Blue rubber, with blue (service) grip

20' Working Length	
Part No.	Description
11-8120	Pair, black rubber, with red and blue (emergency and service) grips
11-8121	Black rubber, with red (emergency) grip
11-8122	Black rubber, with blue (service) grip
11-8123	Black rubber, with black (universal) grip
11-81200	Pair, red and blue rubber, with red and blue (emergency and service) grips
11-81218	Red rubber, with red (emergency) grip
11-81226	Blue rubber, with blue (service) grip



- Tractor end includes swivel fitting for easy installation and spring guard for strain relief
- Large grips for easy coupling/uncoupling and hose support
- Provides excellent abrasion resistance and resists cracking, kinking and weathering
- 1/2" NPTF
- Meets DOT CFR 49 FMVSS 571.106 specifications
- Meet SAE J1402 hose specifications
- Red and blue rubber air lines available in 2-IN-1, 3-IN-1 and 4-IN-1 applications

2-IN-1 Air Combination Assemblies



Part No.	Description
11-82120	12' spiral wrapped red & blue rubber air lines, with red & blue (emergency and service) grips
11-82150	15' spiral wrapped red & blue rubber air lines, with red & blue (emergency and service) grips
11-82200	20' spiral wrapped red & blue rubber air lines, with red & blue (emergency and service) grips

- Spiral wrapped for a clean and organized look
- Includes hanging clamp and stainless steel clip for easy installation (P/N: 5-5018)
- Outstanding kink and abrasion resistance
- Tractor end includes swivel fitting for easy installation and spring guard for strain relief
- Large grips for easy coupling/uncoupling and hose support
- 1/2" NPTF
- Meets DOT CFR 49 FMVSS 571.106 specifications
- Meet SAE J1402 hose specifications

Bulk Heavy Duty Arctic Rubber Air Hose



Arctic Protection
-65°F to 200°F
(-53°C to 93°C)

Part No.	Description
11-8185-250	3/8" I.D. 250' spool

- Heavy duty EPDM rubber air brake hose
 - 4-spiral polyester reinforced rubber
 - Resists cracking, kinking and weathering
 - Provides excellent abrasion-resistance
- -65°F to 200°F (-53°C to 93°C)
- Burst pressure: 871 PSI
- Operating pressure: 145 PSI
- Meets SAE J1402 low temperature requirements

Bulk Heavy Duty Rubber Air Hose



Part No.	Description
11-8180-250	3/8" I.D. 250' spool, black
11-8190-250	1/2" I.D. 250' spool, black
11-8186-250	3/8" I.D. 250' spool, blue
11-8188-250	3/8" I.D. 250' spool, red

- Heavy duty EPDM rubber air brake hose
 - 4-spiral polyester reinforced rubber
 - Resists cracking, kinking and weathering
 - Provides excellent abrasion-resistance
- -40°F to 200°F (-40°C to 93°C)
- Burst pressure: 871 PSI
- Operating pressure: 145 PSI
- Meets SAE J1402 specifications

ELECTRICAL & AIR COMBO ASSEMBLIES

3-IN-1 & 4-IN-1

Hanging clamp and stainless steel clip for easy installation (P/N 5-5018)

Outstanding kink and abrasion resistance

PHILIPS
3-IN-1 ELECTRICAL & AIR
www.phillipsind.com

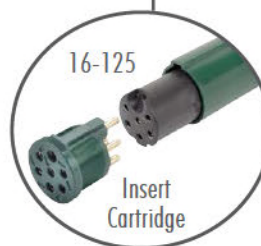
Spiral wrapped for an organized, clean look

Tractor end swivel brass fittings

Large grips for easy coupling/uncoupling leverage and acts as strain relief

Connects to the QCS2® creating a tight STA-DRY® seal that locks out moisture and contaminants

**NOW WITH
RED AND BLUE
RUBBER AIR LINES!**



QCP™
(Quick-Change Plug)
cartridge is field replaceable
in under two minutes

ELECTRICAL & AIR COMBO ASSEMBLIES

ALL ASSEMBLIES

- Spiral wrapped for a clean organized look
- Outstanding kink and abrasion resistance
- Includes hanging clamp and clip for easy installation (P/N 5-5018)

ELECTRICAL

ABS LECTRAFLEX™ & NON-ABS DURAFLEX™*

- Spring-wrapped compression contact pins*
Chemical and abrasion resistant

Liftgate Charging Cable

- For liftgate applications
- 100 amp continuous capacity, 200 amp intermittent capacity

ISOFLEX™ Cable

- For auxiliary applications
- Twisted pair of brown and green wires reduces signal noise

AIR

Rubber Air Lines

- Large red and blue handle grips for easy coupling/uncoupling and hose support
- Tractor end includes swivel fitting for easy installation
- Provides excellent abrasion resistance and resists cracking, kinking and weathering
- Air lines are color coded red and blue to denote emergency and service*

*With exception to all M7 assemblies

3-IN-1 Electrical & Air Assemblies



Straight DURAFLEX™ 1/10 & 6/12 ga. NON-ABS Applications

Zinc Die-Cast Plug

Part No.	Description
22-2151	12', NON-ABS with zinc die-cast plugs, rubber air lines
22-2171	15', NON-ABS with zinc die-cast plugs, rubber air lines

Straight LECTRAFLEX™ 1/8, 2/10 & 4/12 ga. ABS Applications

QCMS2™ and QCP™ (Quick-Change Plug)

Part No.	Description
30-2155	12', ABS with QCMS2™ and QCP™, rubber air lines
30-2175	15', ABS with QCMS2™ and QCP™, rubber air lines
30-2195	20', ABS with QCMS2™ and QCP™, rubber air lines

QCP™ (Quick-Change Plug)

Part No.	Description
30-2154	12', ABS with QCP™, rubber air lines
30-2174	15', ABS with QCP™, rubber air lines
30-2194	20', ABS with QCP™, rubber air lines

WEATHER-TITE™ PERMAPLUG™

Part No.	Description
30-2150	12', ABS with WEATHER-TITE™ PERMAPLUGS™, rubber air lines
30-2170	15', ABS with WEATHER-TITE™ PERMAPLUGS™, rubber air lines
30-2190	20', ABS with WEATHER-TITE™ PERMAPLUGS™, rubber air lines

Zinc Die-Cast Plug

Part No.	Description
30-2151	12', ABS with zinc die-cast plugs, rubber air lines
30-2171	15', ABS with zinc die-cast plugs, rubber air lines
30-2191	20', ABS with zinc die-cast plugs, rubber air lines

1/8, 2/10 & 4/12 ga. ABS Application

M7 (Molded 7-Way)

Part No.	Description	
30-1157	12', ABS with M7 plugs, black rubber air lines	NEW
30-1177	15', ABS with M7 plugs, black rubber air lines	NEW

PLUGS



QCMS2™ connects to QCS2®

QCMS2™

- Connects to the QCS2® creating a tight STA-DRY® seal that locks out moisture and contaminants, stopping the devastating effects of corrosion



QCP™ (Quick-Change Plug)

QCP™ (Quick-Change Plug)

- Reduces maintenance time
- Cartridge is field replaceable in under two minutes



WEATHER-TITE™ PERMAPLUG™

WEATHER-TITE™ PERMAPLUG™

- The WEATHER-TITE™ seal resists water and contaminants from entering the electrical system creating a complete seal!



M7

M7 (Molded 7-Way)

- Unbreakable and corrosion resistant
- Completely molded to the cable to prevent water intrusion at the back of the plug



Zinc Die-Cast Plug

Zinc Die-Cast

- Heavy duty reinforced zinc die-cast housing for durability

4-IN-1 Electrical & Air Assemblies - With Single Pole

Straight LECTRAFLEX™ 1/8, 2/10 & 4/12 ga. ABS Applications

QCMS2™ and QCP™ (Quick-Change Plug)

Part No.	Description
30-2259	12', ABS with (1) QCMS2™ and (1) QCP™, single pole, rubber air lines
30-2279	15', ABS with (1) QCMS2™ and (1) QCP™, single pole, rubber air lines
30-2299	20', ABS with (1) QCMS2™ and (1) QCP™, single pole, rubber air lines

QCP™ (Quick-Change Plugs)

Part No.	Description
30-2254	12', ABS with QCP™, single pole, rubber air lines
30-2274	15', ABS with QCP™, single pole, rubber air lines
30-2294	20', ABS with QCP™, single pole, rubber air lines

WEATHER-TITE™ PERMAPLUGS™

Part No.	Description
30-2250	12', ABS with WEATHER-TITE™ PERMAPLUGS™, single pole, rubber air lines
30-2270	15', ABS with WEATHER-TITE™ PERMAPLUGS™, single pole, rubber air lines
30-2290	20', ABS with WEATHER-TITE™ PERMAPLUGS™, single pole, rubber air lines

Zinc Die-Cast Plugs

Part No.	Description
30-2251	12', ABS with zinc die-cast plugs, single pole, rubber air lines
30-2271	15', ABS with zinc die-cast plugs, single pole, rubber air lines
30-2291	20', ABS with zinc die-cast plugs, single pole, rubber air lines



PLUGS



QCMS2™ connects to QCS2®

- QCMS2™**
- Connects to the QCS2® creating a tight STA-DRY® seal that locks out moisture and contaminants, stopping the devastating effects of corrosion



QCP™
(Quick-Change Plug)

- QCP™ (Quick-Change Plug)**
- Reduces maintenance time
 - Cartridge is field replaceable in under two minutes



WEATHER-TITE™
PERMAPLUG™

- WEATHER-TITE™ PERMAPLUG™**
- The WEATHER-TITE™ seal resists water and contaminants from entering the electrical system creating a complete seal!



Zinc Die-Cast Plug

- Zinc Die-Cast**
- Heavy duty reinforced zinc die-cast housing for durability

4-IN-1 Electrical & Air Assemblies - With Dual Pole



PLUGS



QCMS2™ connects to QCS2®

QCMS2™

- Connects to the QCS2® creating a tight STA-DRY® seal that locks out moisture and contaminants, stopping the devastating effects of corrosion



QCP™ (Quick-Change Plug)

QCP™ (Quick-Change Plug)

- Reduces maintenance time
- Cartridge is field replaceable in under two minutes



WEATHER-TITE™ PERMAPLUG™

WEATHER-TITE™ PERMAPLUG™

- The WEATHER-TITE™ seal resists water and contaminants from entering the electrical system creating a complete seal!



Zinc Die-Cast Plug

Zinc Die-Cast

- Heavy duty reinforced zinc die-cast housing for durability

Straight LECTRAFLEX™ 1/8, 2/10 & 4/12 ga. ABS Applications

QCMS2™ and QCP™ (Quick-Change Plug)

Part No.	Description
30-2255	12', ABS with (1) QCMS2™ and (1) QCP™, dual pole, rubber air lines
30-2275	15', ABS with (1) QCMS2™ and (1) QCP™, dual pole, rubber air lines
30-2295	20', ABS with (1) QCMS2™ and (1) QCP™, dual pole, rubber air lines

QCP™ (Quick-Change Plugs)

Part No.	Description
30-2257	12', ABS with QCP™, dual pole, rubber air lines
30-2277	15', ABS with QCP™, dual pole, rubber air lines
30-2297	20', ABS with QCP™, dual pole, rubber air lines

WEATHER-TITE™ PERMAPLUGS™

Part No.	Description
30-2256	12', ABS with WEATHER-TITE™ PERMAPLUGS™, dual pole, rubber air lines
30-2276	15', ABS with WEATHER-TITE™ PERMAPLUGS™, dual pole, rubber air lines
30-2296	20', ABS with WEATHER-TITE™ PERMAPLUGS™, dual pole, rubber air lines

Zinc Die-Cast Plugs

Part No.	Description
30-2252	12', ABS with zinc die-cast plugs, dual pole, rubber air lines
30-2272	15', ABS with zinc die-cast plugs, dual pole, rubber air lines
30-2292	20', ABS with zinc die-cast plugs, dual pole, rubber air lines

4-IN-1 Electrical & Air Assemblies - With ISOFLEX™



1/8, 2/10 & 4/12 ga. ISO Applications

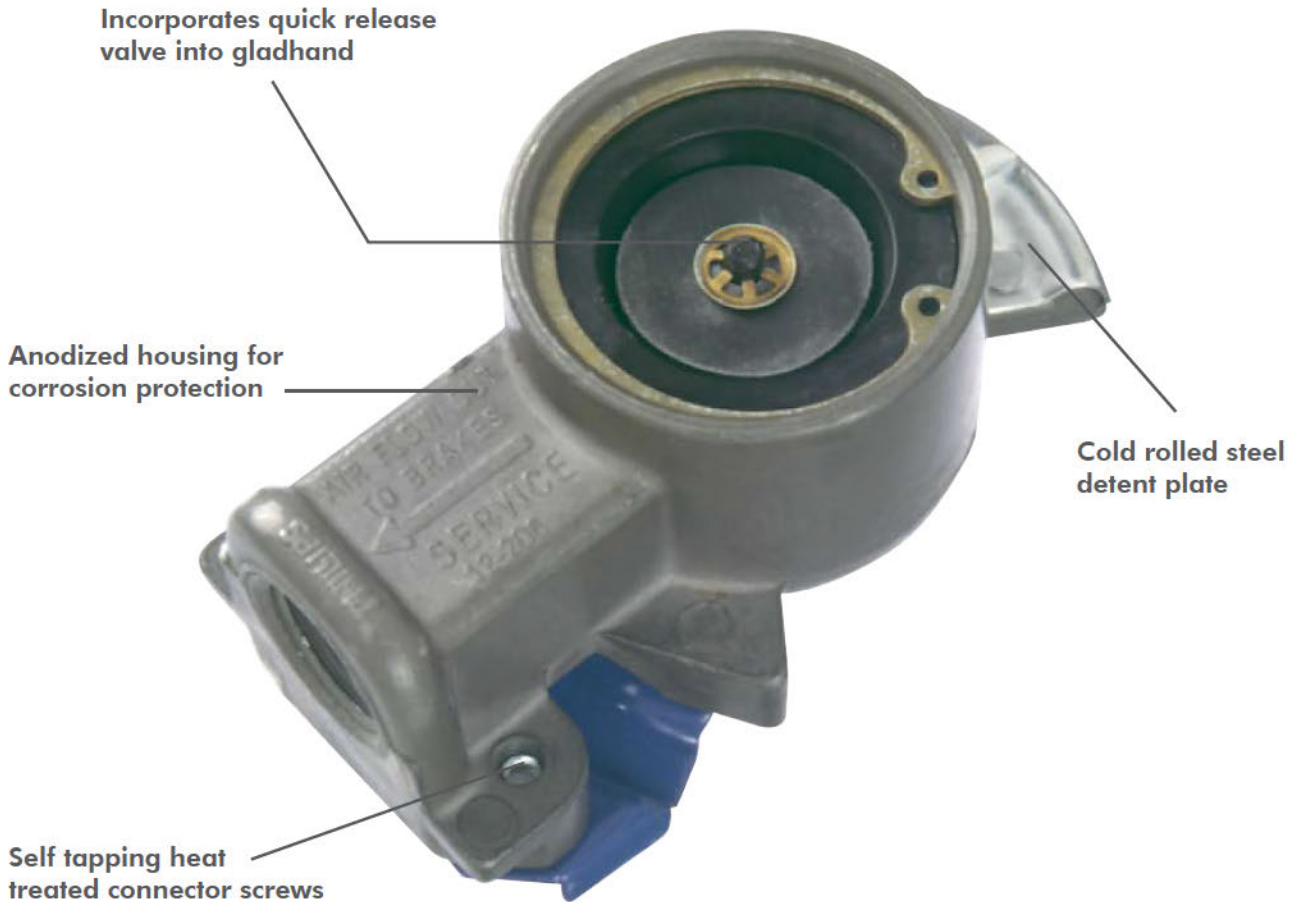
Straight ABS LECTRAFLEX™ 1/8, 2/10 & 4/12 ga. with Zinc Die-Cast Plugs

Part No.	Description
30-2253	12', ABS with zinc die-cast plugs, ISOFLEX™, rubber air lines
30-2273	15', ABS with zinc die-cast plugs, ISOFLEX™, rubber air lines
30-2293	20', ABS with zinc die-cast plugs, ISOFLEX™, rubber air lines

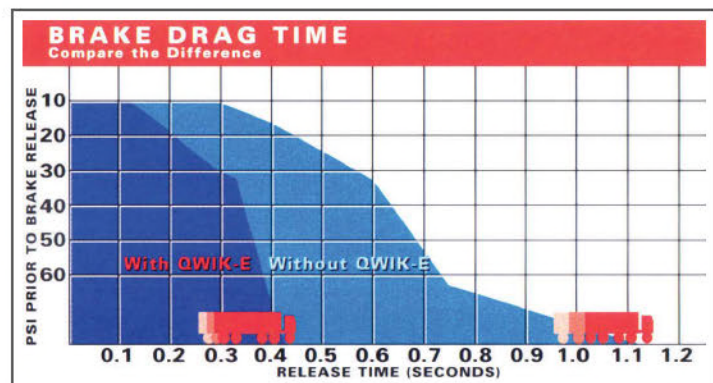
- ISOFLEX™ cable offers a twisted pair of brown and green wires to reduce radio noise for auxiliary connections
- Heavy duty reinforced zinc die-cast plugs

AIR CONNECTORS

QWIK-E[®] Gladhand



Trailer brakes are released up to 50% faster than with conventional methods!



QWIK-E® GLADHANDS

- Trailer brakes are released up to 50% faster than with conventional methods
- Quick-release valve and gladhand combined
- Reduces tire flat spots
- Anodized housing for corrosion protection
- For use with ABS and non-ABS brake systems
- By reducing brake lining and drum wear, thousands of dollars are saved over the life of the trailer
- Improves response time of brake release - drivers love it!
- Standard equipment on most OEM trailers
- Meets SAE J318 specifications

QWIK-E® Gladhands

Straight Mount	
Part No.	Description
12-206	Service, blue, 1/2" female pipe thread without filter screen
12-2061	Service, blue, 1/2" female pipe thread with filter screen
12-206B	Service, blue, 12-206, individually packaged, polybag

- For use on trailer service lines only

Trailer Mount	
Part No.	Description
12-236	Service, blue, 3/8" female pipe thread bottom port
12-2361	Service, blue, 3/8" female pipe thread bottom port with filter screen
12-23617	Service, blue, 3/8" female pipe thread rear port with filter screen
12-2367	Service, blue, 3/8" female pipe thread rear port
12-236B	Service, blue, 12-236, individually packaged, polybag

- For use on trailer service lines only



12-206



12-236

Part No.	Description
12-226	Repair service kit

- Kit includes breather valve, polyurethane seal, snap ring and gasket

QWIK-E® Service Kit



Quick Exhaust Valve

Part No.	Description
12-810	Trailer side
12-811	Tractor side

- Provides quick exhaust of trailer's service air brake pressure
- Tractor side hooks to the tractor protection valve
- Zinc die-cast



Quick Release Valve

Part No.	Description
12-800	3/8" x 3/8" x 3/8"
12-801	1/2" x 3/8" x 3/8"

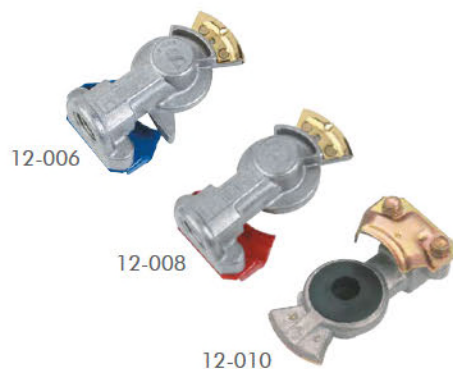
- Aluminum die-cast housing for corrosion resistance
- 150 psi maximum
- Crack pressure 0.5 PSI



STANDARD GLADHANDS

- Wrap-around connector plate provides additional strength
- Powder-coated connector plate for corrosion resistance
- Zinc-coated detent plates
- E-coated screws for corrosion protection
- Meets SAE J318 specifications
- Stainless steel detent plates and connector plates available, please contact customer service
- Service and emergency keyed to prevent cross coupling

Straight Mount



Part No.	Description
12-006	Service, blue, 1/2" female pipe thread
12-0061	Service, blue, with filter screen, 1/2" female pipe thread
12-006B	Service, blue, 1/2" female pipe thread, individually packaged
12-008	Emergency, red, 1/2" female pipe thread
12-0081	Emergency, red, with filter screen, 1/2" female pipe thread
12-008B	Emergency, red, 1/2" female pipe thread, individually packaged
12-010	Universal, 1/2" female pipe thread
12-010B	Universal, 1/2" female pipe thread, individually packaged

- For use on air coil, tractor and trailer
- Many more options available - ask your sales representative or customer service

Trailer Mount (38°)



Part No.	Description
12-136	Service, blue, bottom port, 3/8" female pipe thread
12-1361	Service, blue with filter screen, bottom port, 3/8" female pipe thread
12-13617	Service, blue, with filter screen, rear port, 3/8" female pipe thread
12-138	Emergency, red, bottom port, 3/8" female pipe thread
12-1381	Emergency, red, with filter screen, bottom port, 3/8" female pipe thread
12-13817	Emergency, red, with filter screen, rear port, 3/8" female pipe thread

- For use on trailer

Cast Iron



Part No.	Description
12-406	Service, blue polyurethane seal, 1/2" female pipe thread
12-408	Emergency, red polyurethane seal, 1/2" female pipe thread
12-410	Universal, black polyurethane seal, 1/2" female pipe thread
12-41010	Universal, black polyurethane seal with dust flaps and screen, 1/2" female pipe thread

- Cast iron for durability
- Integrated connector plate
- Spring-loaded ball lock
- Polyurethane seal
- Meets SAE J318 specifications

CORROSION-RESISTANT GLADHANDS

- Anodized for increased protection against magnesium chloride, road salts and chemicals
- Designed for highly corrosive operating conditions
- Wrap-around connector plate provides additional strength
- Powder-coated connector plate for corrosion protection
- Zinc-coated detent plates
- Meets SAE J318 specifications
- Stainless steel detent plates and connector plates available, please contact customer service
- Service and emergency keyed to prevent cross coupling

Anodized Gladhands



12-00623



12-00823



12-13623



12-13823

Straight Mount

Part No.	Description
12-00623	Service, blue, anodized, 1/2" female pipe thread
12-00823	Emergency, red, anodized, 1/2" female pipe thread

- For use on air coil, tractor and trailer

Trailer Mount

Part No.	Description
12-13623	Service, blue, bottom port, anodized, 3/8" female pipe thread
12-13823	Emergency, red, bottom port, anodized, 3/8" female pipe thread

SPECIALTY GLADHANDS

STA-LOCK™ Gladhands



12-340



12-346



12-348

Part No.	Description
12-340	Universal, 1/2" female pipe thread
12-346	Service, blue, 1/2" female pipe thread
12-348	Emergency, red, 1/2" female pipe thread

- Durable cast iron connector plate
- Aluminum body to save weight
- Stainless steel ball-bearing provides a positive lock for gladhand mating
- Service and emergency keyed to prevent cross coupling
- Meets SAE J318 specifications

LATCH-IT™ Gladhands



Part No.	Description
12-1119	Universal, 1/2" female pipe thread
12-1169	Service, blue, 1/2" female pipe thread
12-1189	Emergency, red, 1/2" female pipe thread

- HELPS PREVENT ACCIDENTAL GLADHAND DISCONNECTIONS
- Patented latch provides a positive lock
- Easy-grip feature ensures fast coupling/uncoupling, even with gloves
- Powder-coated for easy identification
- Stainless steel connector plate and spring for longevity
- Polyurethane seal
- Meets SAE J318 specifications
- Service and emergency keyed to prevent cross coupling

Swinger Gladhands



Part No.	Description
12-4506	45° with service gladhand, blue, 3/8" female pipe thread, bottom
12-4508	45° with emergency gladhand, red, 3/8" female pipe thread, bottom
12-450623	45° with anodized service gladhand, blue, 3/8" female pipe thread, bottom
12-450823	45° with anodized emergency gladhand, red, 3/8" female pipe thread, bottom
12-4546	45° with cast iron service gladhand, blue, 3/8" female pipe thread, bottom
12-4548	45° with cast iron emergency gladhand, red, 3/8" female pipe thread, bottom
12-4526	45° with QWIK-E® gladhand, blue, 3/8" female pipe thread, bottom

- GLADHAND SWIVELS 180° WITHOUT KINKING AIR LINE!
- When not in use, gladhand is automatically returned to seal, protecting the air lines
- Designed for intermodal and piggy-back trailers where straight or angled gladhands are exposed to damage
- Anodized for increased protection against magnesium chloride, road salt and chemicals
- Stainless steel return spring for long life

STA-LOCK™ Cast Iron Swinger Gladhands



Part No.	Description
12-4906	90° service, blue polyurethane seal
12-4908	90° emergency, red polyurethane seal
12-49064	90° service, blue polyurethane seal with built-in filter screen NEW
12-49084	90° emergency, red polyurethane seal with built-in filter screen NEW

- GLADHAND SWIVELS 180° WITHOUT KINKING AIR LINE!
- Stainless steel ball-bearing provides a positive lock for gladhand mating
- Cast iron for durability
- Stainless steel return spring for long life
- 3/8" female pipe thread, bottom
- Polyurethane gladhand seals with built-in filter screens help keep debris out of the air lines
- When not in use, gladhand is automatically returned to seal, protecting the air system
- Designed for intermodal and piggy-back trailers where straight or angled gladhands are exposed to damage
- Meets SAE J318 specifications

Shut-Off Gladhands

Bulkhead Mount	
Part No.	Description
12-306	Service, blue, 3/8" female pipe thread
12-308	Emergency, red, 3/8" female pipe thread



12-306



12-308

Surface Mount	
Part No.	Description
12-336	Service, blue, 3/8" female pipe thread
12-338	Emergency, red, 3/8" female pipe thread



12-336



12-338

- For double trailers
- Comes standard with 12-0167-25 dust flap poly seal and 12-038 filter screen
- Includes bulkhead fitting
- Integrated shut-off valve or arm
- Color-coded connector plate for easy identification
- Meets SAE J318 specifications

Composite Shut-Off Gladhands

Surface Mount	
Part No.	Description
12-316	Service, blue, 3/8" female pipe thread
12-318	Emergency, red, 3/8" female pipe thread



12-316



12-318

Bulkhead Mount	
Part No.	Description
12-326	Service, blue, 3/8" female pipe thread
12-328	Emergency, red, 3/8" female pipe thread



12-326



12-328

- For double trailers
- Composite material for increased protection against magnesium chloride, road salts and chemicals
- Integrated shut-off arm to seal air system
- Molded in color for easy identification
- Standard with 12-0167-25 dust flap poly seal and 12-038 filter screen
- Patent No. 5,348,043
- Meets SAE J318 specifications

Economy Shut-Off "Dummy" Gladhand

Part No.	Description
12-0100	Economy shut-off "dummy" gladhand, aluminum

- Inexpensive way to seal rear gladhands for double trailers
- Provides air-tight shut-off
- 18 in. cable with ring terminal



AIR LINE FILTRATION SYSTEMS

NEW

AIR-DEFENSE™ Swinger System With Quick-Change Cartridge Trailer Air Brake In-Line Filtration System



12-8542



12-8540



12-8546



12-8548



12-854689

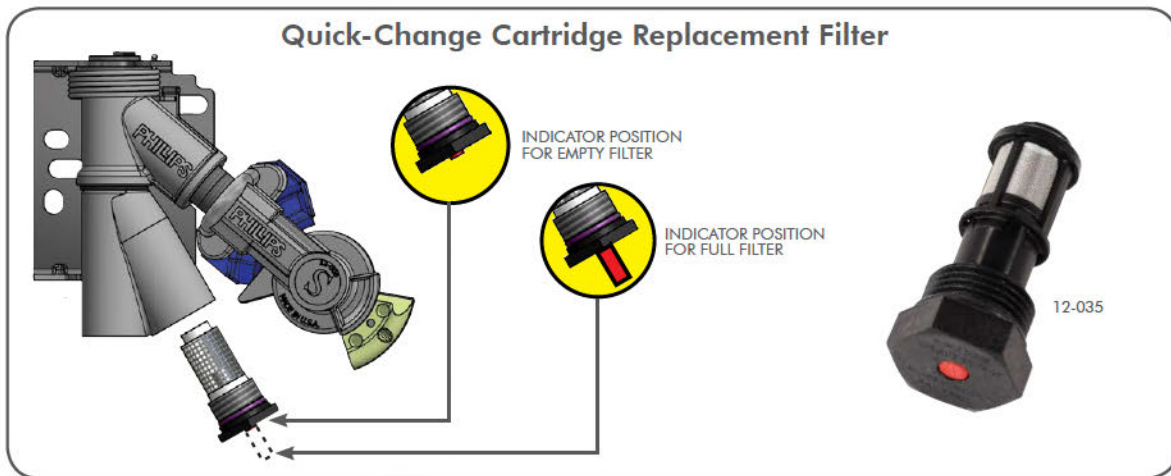


12-854889

Part No.	Description	
12-8542	AIR-DEFENSE™ Swinger System with swinger arm, without gladhand	NEW
12-8540	AIR-DEFENSE™ Swinger System with QWIK-E®	NEW
12-8546	AIR-DEFENSE™ Swinger System with straight service/blue gladhand	NEW
12-8548	AIR-DEFENSE™ Swinger System with straight emergency/red gladhand	NEW
12-854689	AIR-DEFENSE™ Swinger System with straight anodized service/blue gladhand	NEW
12-854889	AIR-DEFENSE™ Swinger System with straight anodized emergency/red gladhand	NEW

Combines a trailer air line filtration system and gladhand into one, offering the best protection for your air lines!

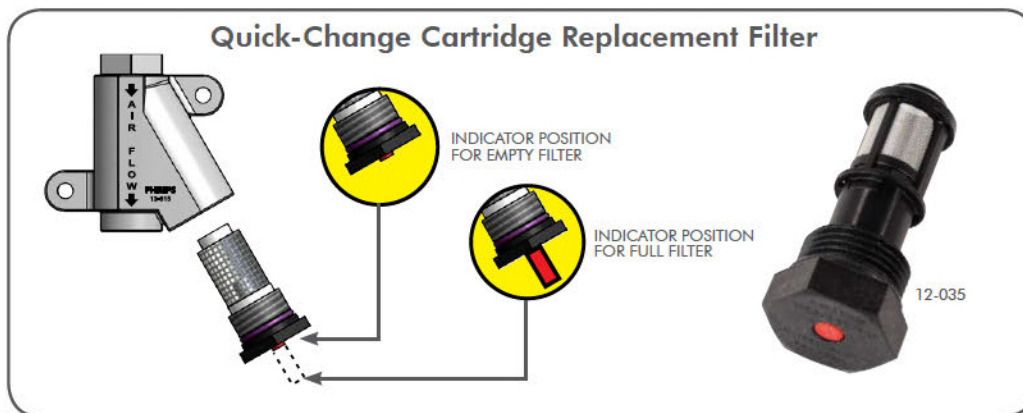
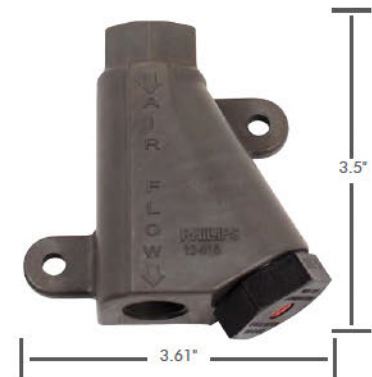
- Debris is trapped in the Quick-Change Cartridge (12-035) of the AIR-DEFENSE™ System, reducing debris entering the trailer air lines and brake valves
- The Quick-Change Cartridge features a bypass mode which ensures full airflow at all times, even when the filter is full
- Visual service indication: Red indicator (non-resettable) notifies mechanic or operator that it's time to replace a dirty air filter cartridge
- The cartridge is replaceable in minutes and in route; simply unscrew the old filter cartridge and replace with a new one
- Can be used on both service and emergency lines
- Swinger gladhands swivel 180°, keeping air lines open and kink-free during use
- When not in use, the gladhand is automatically returned to the seal, protecting the air lines
- Available with the following gladhand options: straight blue/service (anodized or aluminum body), straight red/emergency (anodized or aluminum body), QWIK-E®, or without gladhand for customization (for straight gladhands with 1/2" female pipe thread)
- Patent pending



AIR-DEFENSE™ System With Quick-Change Cartridge Trailer Air Brake In-Line Filtration System

Part No.	Description
12-815	AIR-DEFENSE™ System

- Debris is trapped in the Quick-Change Cartridge (12-035) of the AIR-DEFENSE™ System, reducing debris entering the trailer air lines and brake valves
- The Quick-Change Cartridge features a bypass mode which ensures full airflow at all times, even when the filter is full
- Visual service indication: Red indicator (non-resettable) notifies mechanic or operator that it's time to replace dirty air filter cartridge
- The cartridge is replaceable in minutes and en route; simply unscrew the old filter cartridge and replace with a new one
- Can be used on both service and emergency lines
- 1/2" NPTF top and bottom ports
- Designed and assembled in the U.S.A.
- The AIR-DEFENSE™ System with Quick-Change Cartridge is intended to be installed between the trailer gladhands and the air lines to the brake valves
- Patent Pending



Quick-Change Cartridge

Part No.	Description
12-035	Quick-Change Cartridge - replacement filter

- Replacement filter for all AIR-DEFENSE™ system products
- Replaceable in minutes in route; simply unscrew the old filter cartridge and replace with a new one
- Visual service indication: Red indicator (non-resettable) notifies mechanic or operator that it's time to replace dirty air filter cartridge
- Always keep at least one cartridge on hand for easy in-transit replacement
- Patent Pending



AIR ACCESSORIES

Gladhand Seals



12-0161-25;
12-0161-100



12-0162-25;
12-0162-100



12-0112-25;
12-0112-100



12-0111-25;
12-0111-100



12-0163-25;
12-0163-100



12-0167-25;
12-0167-100
must be used with
filter screen



12-01611-25;
12-01611-100



12-01621-25;
12-01621-100



12-01631-25;
12-01631-100



80-0164

80-0163

80-0161

80-012

80-0162

- Fits all industry standard gladhands
- Available in rubber and polyurethane
- Polyurethane available in blue and red to denote service and emergency
- Polyurethane gladhand seals with built-in filter screens help keep debris out of the air lines
- Gladhand seal buckets available for countertop display or easy storage in the shop

Part No.	Description	Qty.
12-011-25	Narrow lip, black (universal), rubber	25
12-011-100	Narrow lip, black (universal), rubber	100
12-012-25	Wide lip, tapered base for easy insertion, black (universal), rubber	25
12-012-100	Wide lip, tapered base for easy insertion, black (universal), rubber	100
12-0161-25	Blue (service), polyurethane	25
12-0161-100	Blue (service), polyurethane	100
12-0162-25	Red (emergency), polyurethane	25
12-0162-100	Red (emergency), polyurethane	100
12-0163-25	Black (universal), polyurethane	25
12-0163-100	Black (universal), polyurethane	100
12-0164-04	Retail pack, 2 red (emergency), 2 blue (service), polyurethane	4
12-0164-100	Retail pack, 50 red (emergency), 50 blue (service), polyurethane	100
12-0167-25	With dust flap, gray (universal), polyurethane (must be used with filter screen)	25
12-0167-100	With dust flap, gray (universal), polyurethane (must be used with filter screen)	100
12-01611-25	Blue (service), polyurethane gladhand seals with built-in filter screen NEW	25
12-01611-100	Blue (service), polyurethane gladhand seals with built-in filter screen NEW	100
12-01621-25	Red (emergency), polyurethane gladhand seals with built-in filter screen NEW	25
12-01621-100	Red (emergency), polyurethane gladhand seals with built-in filter screen NEW	100
12-01631-25	Black (universal), polyurethane gladhand seals with built-in filter screen NEW	25
12-01631-100	Black (universal), polyurethane gladhand seals with built-in filter screen NEW	100
80-012	Gladhand seal bucket - wide lip, tapered base for easy insertion, black (universal), rubber	200
80-0161	Gladhand seal bucket - blue (service), polyurethane	200
80-0162	Gladhand seal bucket - red (emergency), polyurethane	200
80-0163	Gladhand seal bucket - black (universal), polyurethane	200
80-0164	Gladhand seal bucket - 100 blue (service), 100 red (emergency), polyurethane	200
80-0167	Gladhand seal bucket - with dust flap, gray (universal), polyurethane (must be used with filter screen)	200

Gladhand Filter Screens



12-038



12-039

Part No.	Description
12-038	Fits gladhand part numbers 12-006, 12-008, 12-010, 12-136, 12-138
12-039	Fits QWIK-E® gladhand part numbers 12-206, 12-236

- 12-038 meets Ontario, Canada special regulations

AIR CONNECTORS

Coiled Air Gladhand Extensions

Part No.	Description
12-600	Pair (red and blue), clamshell
80-600	Display, includes 9 pairs of 12-600, display rack and header card

- Provides strong leverage for coupling/uncoupling gladhands
- Durable and strong; made of solid machined aluminum
- One-piece body for easy installation
- Bright, corrosion-resistant anodized color coating
- Easy installation - Installs between air coil and gladhand
- Heavy diamond knurl for outstanding grip



12-600

Rubber Air Grips

Part No.	Description
12-606	Service, blue
12-608	Emergency, red
12-610	Universal, black

- Color-coded for easy identification
- One-piece body for easier installation
- Can be used on both straight air lines and Phillips POWER GRIP™ coiled air



Part No.	Description
12-911	Air Coil QWIK-REPAIR™ kit *

12-911 Contents:

Description	Qty.
Economy nylon air tube cutter (P/N 12-90003)	1
1/2" QWIK-FIT™ straight union composite fitting with o-rings	1
1/2" QWIK-FIT™ brass male fitting with o-rings	1

- For use with 1/2 in. O.D. air tubing
- Contents will repair (1) one brass fitting on coiled assembly
- Contents will make (1) one repair to damaged portion of coiled assembly
- Easy to install and reduces downtime
- Includes instructions
- Fittings meet SAE and DOT specifications
- Great addition to your Phillips CSA QWIK-FIX™ kit!

Air Coil QWIK-REPAIR™ Kit



*Repairs made with this kit should be considered as a temporary solution in an emergency situation and are not intended for long terms use. Damaged air coils should be replaced as soon as possible

Rubber Air QWIK-REPAIR™ Kit

Part No.	Description
12-050	QWIK-REPAIR™ kit, 3/8" rubber hose I.D., 1/2" fittings
12-052	QWIK-REPAIR™ kit, 3/8" rubber hose I.D., 3/8" fittings

- For 3/8 in. I.D. rubber air lines
- Easy to install
- Reduces downtime
- Contents will make two repairs
- Great addition to your Phillips CSA QWIK-FIX™ kit!
- Includes installation instructions

12-050 and 12-052 Contents:

- 2 - Cases (each case consist of two pieces)
- 1 - Wrench
- 2 - Assembly rings
- 2 - Male fittings with pre-applied thread sealant
- 2 - Greased lock stems

