

For use with all "A" and "B" section belts

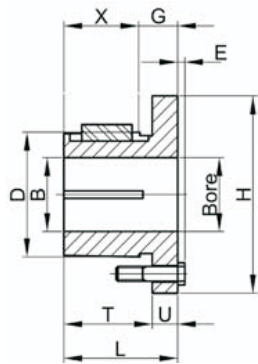


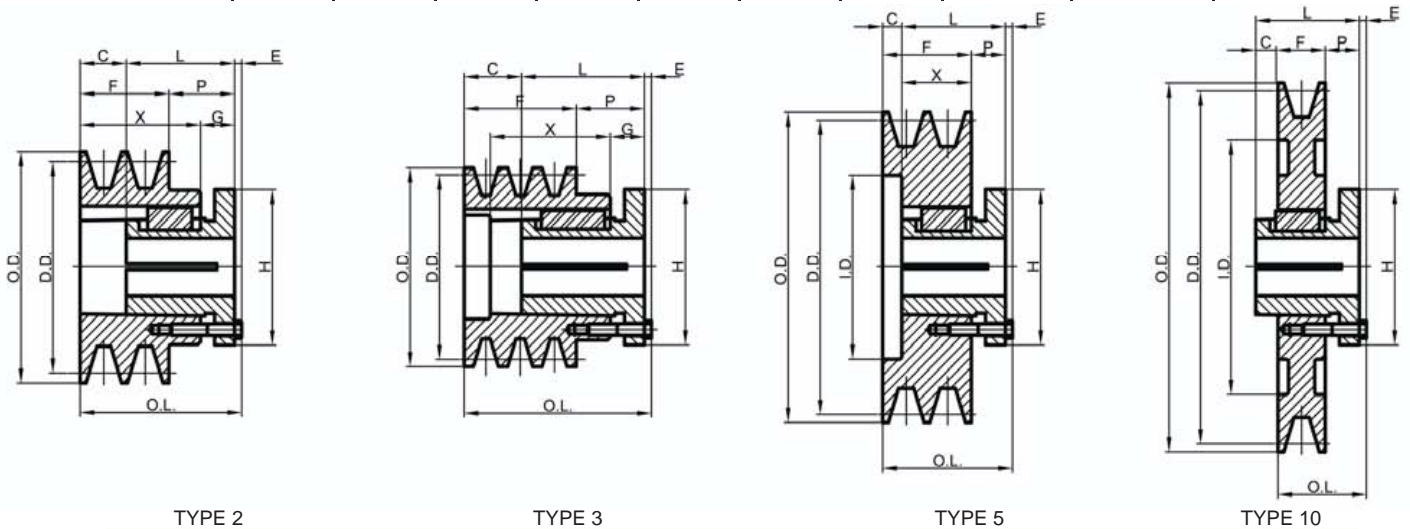
Table No.1

Bore Range	Keyseat
1/2" 9/16"	1/8" x 1/16"
5/8 7/8	3/16 x 3/32
15/16 1 1/4	1/4 x 1/8
1 5/16 1 3/8	5/16 x 5/32
1 7/16 1 3/4	3/8 x 3/16
1 13/16 2 1/4	1/2 x 1/4
2 5/16 2 11/16	5/8 x 5/16

1 3/8" Bore also available with 3/8"x3/16" Keyseat.

Table No.2 Bushing Dimension

Part No.	Dimensions								Bore Range	Wt. Lbs.
	L	G	X	E	T	U	D	H		
P1	1 15/16"	5/8"	1 5/16"	1/4"	1 17/32"	13/32"	1 15/16"	3"	1/2" 1 3/4"	1 1/4
P2	2 15/16	5/8	2 5/16	1/4	2 17/32	13/32	1 15/16	3	3/4 1 3/4	1 1/2
Q1	2 1/2	3/4	1 3/4	9/32	1 31/32	17/32	2 7/8	4 1/8	3/4 2 11/16	3 1/2
Q2	3 1/2	3/4	2 3/4	9/32	2 31/32	17/32	2 7/8	4 1/8	1 2 5/8	4 1/2

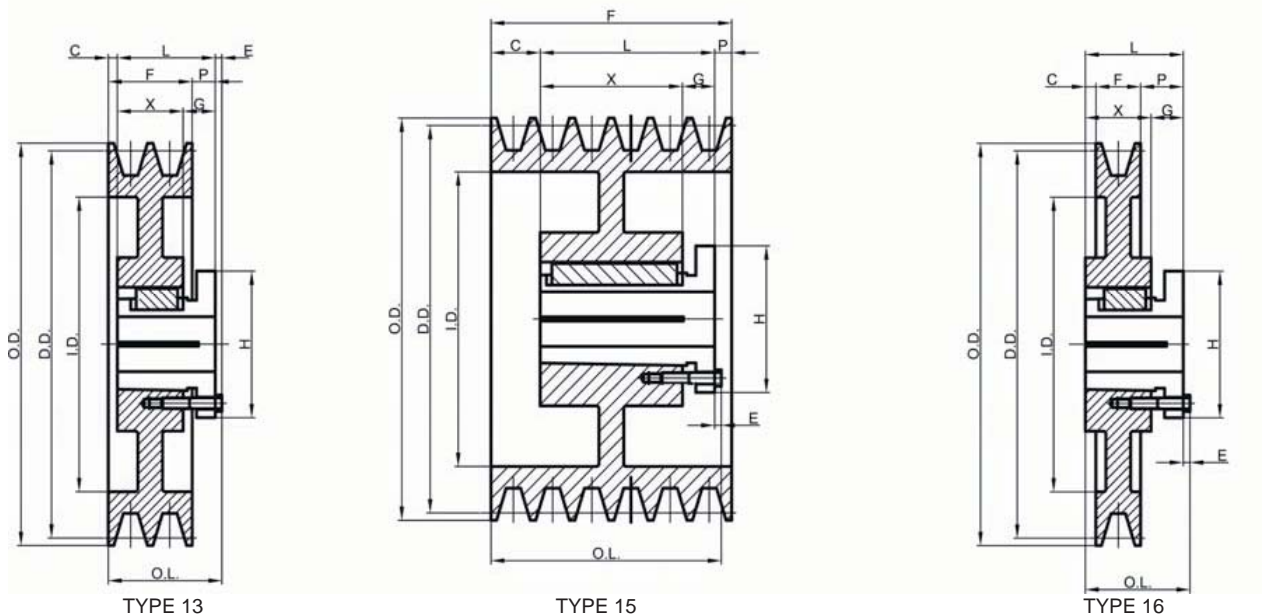


TYPE 2

TYPE 3

TYPE 5

TYPE 10



TYPE 13

TYPE 15

TYPE 16



SPLIT TAPER BUSHINGS SHEAVES FOR "A" AND "B" BELTS

TB

For use with all "A" and "B" section belts

Table No.1

DIAMETERS				1 GROOVE, F 1" ;2 GROOVES, F 1 3/4"												Wt. Less Bush.
Datum "A"	Datum "B"	Outside	Inside	Part Number		Type	Dimensions									
				Sheave	Bushing		O.L.	L	P	C	H	G	X	E		
3.0"	3.4"	3.75"	-	1TB34	P1	2	2 5/16	1 15/16	1 1/16	1/8	3	5/8"	1 7/16	1/4"	2.0	
3.2	3.6	3.95	-	1TB36	P1	2	2 5/16	1 15/16	1 1/16	1/8	3	5/8	1 7/16	1/4	2.3	
3.4	3.8	4.15	-	1TB38	P1	2	2 5/16	1 15/16	1 1/16	1/8	3	5/8	1 7/16	1/4	2.6	
3.6	4	4.35	-	1TB40	P1	10-Sol.	2 3/16	1 15/16	5/8	5/16	3	-	-	1/4	2.1	
3.8	4.2	4.55	-	1TB42	P1	10-Sol.	2 3/16	1 15/16	5/8	5/16	3	-	-	1/4	2.4	
4.0	4.4	4.75	-	1TB44	P1	10-Sol.	2 3/16	1 15/16	5/8	5/16	3	-	-	1/4	2.8	
4.2	4.6	4.95	-	1TB46	P1	10-Sol.	2 3/16	1 15/16	5/8	5/16	3	-	-	1/4	3.1	
4.4	4.8	5.15	-	1TB48	P1	10-Sol.	2 3/16	1 15/16	5/8	5/16	3	-	-	1/4	3.5	
4.6	5.0	5.35	-	1TB50	P1	10-Sol.	2 3/16	1 15/16	5/8	5/16	3	-	-	1/4	3.9	
4.8	5.2	5.55	-	1TB52	P1	10-Sol.	2 3/16	1 15/16	5/8	5/16	3	-	-	1/4	4.1	
5.0	5.4	5.75	-	1TB54	P1	10-Sol.	2 3/16	1 15/16	5/8	5/16	3	-	-	1/4	4.6	
5.2	5.6	5.95	-	1TB56	P1	10-Sol.	2 3/16	1 15/16	5/8	5/16	3	-	-	1/4	5.1	
5.4	5.8	6.15	-	1TB58	P1	10-Sol.	2 3/16	1 15/16	5/8	5/16	3	-	-	1/4	5.6	
5.6	6	6.35	4 1/2"	1TB60	P1	10-Web	2 3/16	1 15/16	5/8	5/16	3	-	-	1/4	6.0	
5.8	6.2	6.55	4 11/16"	1TB62	P1	10-Web	2 3/16	1 15/16	5/8	5/16	3	-	-	1/4	5.5	
6.0	6.4	6.75	4 7/8	1TB64	P1	10-Web	2 3/16	1 15/16	5/8	5/16	3	-	-	1/4	5.8	
6.2	6.6	6.95	5 1/16	1TB66	P1	10-Web	2 3/16	1 15/16	5/8	5/16	3	-	-	1/4	5.9	
6.4	6.8	7.15	5 5/16	1TB68	P1	10-Web	2 3/16	1 15/16	5/8	5/16	3	-	-	1/4	6.1	
6.6	7	7.35	5 1/2	1TB70	P1	16-Arm	2 3/16	1 15/16	25/32	5/32	3	5/8	1 5/16	1/4	6.4	
7.0	7.4	7.75	5 15/16	1TB74	P1	16-Arm	2 3/16	1 15/16	25/32	5/32	3	5/8	1 5/16	1/4	7.3	
7.6	8.0	8.35	6 1/2	1TB80	P1	16-Arm	2 3/16	1 15/16	25/32	5/32	3	5/8	1 5/16	1/4	7.8	
8.2	8.6	8.95	7 1/16	1TB86	P1	16-Arm	2 3/16	1 15/16	25/32	5/32	3	5/8	1 5/16	1/4	8.6	
8.6	9	9.35	7 1/2	1TB90	P1	16-Arm	2 3/16	1 15/16	25/32	5/32	3	5/8	1 5/16	1/4	8.9	
9.0	9.4	9.75	7 15/16	1TB94	P1	16-Arm	2 3/16	1 15/16	25/32	5/32	3	5/8	1 5/16	1/4	9.1	
10.6	11	11.35	9 7/16	1TB110	P1	16-Arm	2 3/16	1 15/16	25/32	5/32	3	5/8	1 5/16	1/4	11.1	
12.0	12.4	12.75	10 15/16	1TB124	Q1	16-Arm	2 25/32	2 1/2	1 1/8	3/8	4 1/8	3/4	1 3/4	9/32	17.8	
13.2	13.6	13.95	12 1/16	1TB136	Q1	16-Arm	2 25/32	2 1/2	1 1/8	3/8	4 1/8	3/4	1 3/4	9/32	18.2	
15.0	15.4	15.75	13 15/16	1TB154	Q1	16-Arm	2 25/32	2 1/2	1 1/8	3/8	4 1/8	3/4	1 3/4	9/32	20.3	
15.6	16.0	16.35	14 1/2	1TB160	Q1	16-Arm	2 25/32	2 1/2	1 1/8	3/8	4 1/8	3/4	1 3/4	9/32	22.0	
18.0	18.4	18.75	16 15/16	1TB184	Q1	16-Arm	2 25/32	2 1/2	1 1/8	3/8	4 1/8	3/4	1 3/4	9/32	27.5	
19.5	20	20.35	18 1/2	1TB200	Q1	16-Arm	2 25/32	2 1/2	1 1/8	3/8	4 1/8	3/4	1 3/4	9/32	27.2	
24.5	25	25.35	23 1/2	1TB250	Q1	16-Arm	2 25/32	2 1/2	1 1/8	3/8	4 1/8	3/4	1 3/4	9/32	42.4	
29.5	30.0	30.35	28 1/2	1TB300	Q1	16-Arm	2 25/32	2 1/2	1 1/8	3/8	4 1/8	3/4	1 3/4	9/32	56.0	
37.5	38.0	38.35	36 1/2	1TB380	Q1	16-Arm	2 25/32	2 1/2	1 1/8	3/8	4 1/8	3/4	1 3/4	9/32	78.0	
3.0"	3.4"	3.75"	-	2TB34	P1	2	3 1/16"	1 15/16"	1 1/16"	7/8"	3"	5/8"	2 3/16"	1/4"	2.9	
3.2	3.6	3.95	-	2TB36	P1	2	3 1/16	1 15/16	1 1/16	7/8	3	5/8	2 3/16	1/4	3.8	
3.4	3.8	4.15	2 5/16"	2TB38	P1	5	2 5/8	1 15/16	5/8	7/16	3	-	1 5/16	1/4	3.0	
3.6	4	4.35	2 1/2	2TB40	P1	5	2 5/8	1 15/16	5/8	7/16	3	-	1 5/16	1/4	3.8	
3.8	4.2	4.55	2 11/16	2TB42	P1	5	2 5/8	1 15/16	5/8	7/16	3	-	1 5/16	1/4	3.9	
4.0	4.4	4.75	2 7/8	2TB44	P1	13-Sol.	2 3/16	1 15/16	3/16	0	3	5/8	1 5/16	1/4	3.9	
4.2	4.6	4.95	3 1/16	2TB46	P1	13-Sol.	2 3/16	1 15/16	3/16	0	3	5/8	1 5/16	1/4	4.5	
4.4	4.8	5.15	3 5/16	2TB48	P1	13-Sol.	2 3/16	1 15/16	3/16	0	3	5/8	1 5/16	1/4	5.3	
4.6	5.0	5.35	3 1/2	2TB50	P1	13-Sol.	2 3/16	1 15/16	3/16	0	3	5/8	1 5/16	1/4	5.6	
4.8	5.2	5.55	3 11/16	2TB52	P1	13-Sol.	2 3/16	1 15/16	3/16	0	3	5/8	1 5/16	1/4	6.1	
5.0	5.4	5.75	3 7/8	2TB54	P1	13-Sol.	2 3/16	1 15/16	3/16	0	3	5/8	1 5/16	1/4	6.5	
5.2	5.6	5.95	4 1/16	2TB56	P1	13-Sol.	2 3/16	1 15/16	3/16	0	3	5/8	1 5/16	1/4	7.4	
5.4	5.8	6.15	4 5/16	2TB58	P1	13-Sol.	2 3/16	1 15/16	3/16	0	3	5/8	1 5/16	1/4	8.0	
5.6	6	6.35	4 1/2	2TB60	P1	13-Sol.	2 3/16	1 15/16	3/16	0	3	5/8	1 5/16	1/4	8.9	
5.8	6.2	6.55	4 11/16	2TB62	P1	13-Web	2 3/16	1 15/16	3/16	0	3	5/8	1 5/16	1/4	7.6	
6.0	6.4	6.75	4 7/8	2TB64	P1	13-Web	2 3/16	1 15/16	3/16	0	3	5/8	1 5/16	1/4	7.8	
6.2	6.6	6.95	5 1/16	2TB66	P1	13-Web	2 3/16	1 15/16	3/16	0	3	5/8	1 5/16	1/4	8.3	
6.4	6.8	7.15	5 5/16	2TB68	P1	13-Web	2 3/16	1 15/16	3/16	0	3	5/8	1 5/16	1/4	8.8	
6.6	7	7.35	5 1/2	2TB70	Q1	13-Web	2 25/32	2 1/2	3/4	0	4 1/8	3/4	1 3/4	9/32	11.1	
7.0	7.4	7.75	5 15/16	2TB74	Q1	13-Web	2 25/32	2 1/2	3/4	0	4 1/8	3/4	1 3/4	9/32	11.5	
7.6	8.0	8.35	6 1/2	2TB80	Q1	13-Web	2 25/32	2 1/2	3/4	0	4 1/8	3/4	1 3/4	9/32	12.8	
8.2	8.6	8.95	7 1/16	2TB86	Q1	13-Web	2 25/32	2 1/2	3/4	0	4 1/8	3/4	1 3/4	9/32	16.0	
8.6	9	9.35	7 1/2	2TB90	Q1	13-Arm	2 25/32	2 1/2	3/4	0	4 1/8	3/4	1 3/4	9/32	15.1	
9.0	9.4	9.75	7 15/16	2TB94	Q1	13-Arm	2 25/32	2 1/2	3/4	0	4 1/8	3/4	1 3/4	9/32	15.5	
10.6	11	11.35	9 7/16	2TB110	Q1	13-Arm	2 25/32	2 1/2	3/4	0	4 1/8	3/4	1 3/4	9/32	18.9	
12.0	12.4	12.75	10 15/16	2TB124	Q1	13-Arm	2 25/32	2 1/2	3/4	0	4 1/8	3/4	1 3/4	9/32	21.1	
13.2	13.6	13.95	12 1/16	2TB136	Q1	13-Arm	2 25/32	2 1/2	3/4	0	4 1/8	3/4	1 3/4	9/32	23.0	
15.0	15.4	15.75	13 15/16	2TB154	Q1	13-Arm	2 25/32	2 1/2	3/4	0	4 1/8	3/4	1 3/4	9/32	24.8	
15.6	16.0	16.35	14 1/2	2TB160	Q1	13-Arm	2 25/32	2 1/2	3/4	0	4 1/8	3/4	1 3/4	9/32	27.0	
18.0	18.4	18.75	16 15/16	2TB184	Q1	13-Arm	2 25/32	2 1/2	3/4	0	4 1/8	3/4	1 3/4	9/32	32.3	
19.5	20	20.35	18 1/2	2TB200	Q1	13-Arm	2 25/32	2 1/2	3/4	0	4 1/8	3/4	1 3/4	9/32	42.3	
24.5	25	25.35	23 1/2	2TB250	Q1	13-Arm	2 25/32	2 1/2	3/4	0	4 1/8	3/4	1 3/4	9/32	50.3	
29.5	30.0	30.35	28 1/2	2TB300	Q1	13-Arm	2 25/32	2 1/2	3/4	0	4 1/8	3/4	1 3/4	9/32	68.8	
37.5	38.0	38.35	36 1/2	2TB380	Q1	13-Arm	2 25/32	2 1/2	3/4	0	4 1/8	3/4	1 3/4	9/32	95.5	



For use with all "A" and "B" section belts

Table No.1

DIAMETERS				3 GROOVE, F 2 1/2" ;4 GROOVES,F 3 1/4"												Wt. Less Bush.
Datum "A"	Datum "B"	Outside	Inside	Part Number		Type	Dimensions									
				Sheave	Bushing		O.L.	L	P	C	H	G	H	E		
3.0"	3.4"	3.75"	2"	3TB34	P2	3	3 13/16"	2 15/16"	1 1/16"	5/8"	3"	5/8"	2 5/16"	1/4"	3.8	
3.2	3.6	3.95	2 1/16	3TB36	P2	3	3 13/16	2 15/16	1 1/16	5/8	3	5/8	2 5/16	1/4	4.4	
3.4	3.8	4.15	2 5/16	3TB38	P1	5	3 3/8	1 15/16	5/8	1 3/16	3	-	1 5/16	1/4	3.8	
3.6	4.0	4.35	2 1/2	3TB40	P1	5	3 3/8	1 15/16	5/8	1 3/16	3	-	1 5/16	1/4	4.5	
3.8	4.2	4.55	2 11/16	3TB42	P1	5	3 3/8	1 15/16	5/8	1 3/16	3	-	1 5/16	1/4	4.9	
4.0	4.4	4.75	2 7/8	3TB44	P1	13-Sol.	2 3/4	1 15/16	0	9/16	3	5/8	1 5/16	1/4	5.1	
4.2	4.6	4.95	3 1/16	3TB46	P1	13-Web	2 3/4	1 15/16	0	9/16	3	5/8	1 5/16	1/4	6.0	
4.4	4.8	5.15	3 5/16	3TB48	P1	13-Web	2 3/4	1 15/16	0	9/16	3	5/8	1 5/16	1/4	6.3	
4.6	5.0	5.35	3 1/2	3TB50	P1	13-Web	2 3/4	1 15/16	0	9/16	3	5/8	1 5/16	1/4	6.9	
4.8	5.2	5.55	3 11/16	3TB52	P1	13-Web	2 3/4	1 15/16	0	9/16	3	5/8	1 5/16	1/4	7.5	
5.0	5.4	5.75	3 7/8	3TB54	P1	13-Web	2 3/4	1 15/16	0	9/16	3	5/8	1 5/16	1/4	8.3	
5.2	5.6	5.95	4 1/16	3TB56	P1	13-Web	2 3/4	1 15/16	0	9/16	3	5/8	1 5/16	1/4	9.0	
5.4	5.8	6.15	4 5/16	3TB58	P1	13-Web	2 3/4	1 15/16	0	9/16	3	5/8	1 5/16	1/4	9.6	
5.6	6.0	6.35	4 1/2	3TB60	P1	13-Web	2 3/4	1 15/16	0	9/16	3	5/8	1 5/16	1/4	10.5	
5.8	6.2	6.55	4 11/16	3TB62	P1	13-Web	2 3/4	1 15/16	0	9/16	3	5/8	1 5/16	1/4	9.4	
6.0	6.4	6.75	4 7/8	3TB64	P1	13-Web	2 3/4	1 15/16	0	9/16	3	5/8	1 5/16	1/4	9.5	
6.2	6.6	6.95	5 1/16	3TB66	P1	13-Web	2 3/4	1 15/16	0	9/16	3	5/8	1 5/16	1/4	10.0	
6.4	6.8	7.15	5 5/16	3TB68	P1	13-Web	2 3/4	1 15/16	0	9/16	3	5/8	1 5/16	1/4	10.4	
6.6	7.0	7.35	5 1/2	3TB70	Q1	13-Web	3 5/32	2 1/2	3/8	3/8	4 1/8	3/4	1 3/4	9/32	13.0	
7.0	7.4	7.75	5 15/16	3TB74	Q1	13-Web	3 5/32	2 1/2	3/8	3/8	4 1/8	3/4	1 3/4	9/32	13.3	
7.6	8.0	8.35	6 1/2	3TB80	Q1	13-Web	3 5/32	2 1/2	3/8	3/8	4 1/8	3/4	1 3/4	9/32	15.3	
8.2	8.6	8.95	7 1/16	3TB86	Q1	13-Web	3 5/32	2 1/2	3/8	3/8	4 1/8	3/4	1 3/4	9/32	18.9	
8.6	9.0	9.35	7 1/2	3TB90	Q1	13-Arm	3 5/32	2 1/2	3/8	3/8	4 1/8	3/4	1 3/4	9/32	18.1	
9.0	9.4	9.75	7 15/16	3TB94	Q1	13-Arm	3 5/32	2 1/2	3/8	3/8	4 1/8	3/4	1 3/4	9/32	18.0	
10.6	11.0	11.35	9 7/16	3TB110	Q1	13-Arm	3 5/32	2 1/2	3/8	3/8	4 1/8	3/4	1 3/4	9/32	21.3	
12.0	12.4	12.75	10 15/16	3TB124	Q1	13-Arm	3 5/32	2 1/2	3/8	3/8	4 1/8	3/4	1 3/4	9/32	25.4	
13.2	13.6	13.95	12 1/16	3TB136	Q1	13-Arm	3 5/32	2 1/2	3/8	3/8	4 1/8	3/4	1 3/4	9/32	27.4	
15.0	15.4	15.75	13 15/16	3TB154	Q1	13-Arm	3 5/32	2 1/2	3/8	3/8	4 1/8	3/4	1 3/4	9/32	29.8	
15.6	16.0	16.35	14 1/2	3TB160	Q1	13-Arm	3 5/32	2 1/2	3/8	3/8	4 1/8	3/4	1 3/4	9/32	32.0	
18.0	18.4	18.75	16 15/16	3TB184	Q1	13-Arm	3 5/32	2 1/2	3/8	3/8	4 1/8	3/4	1 3/4	9/32	37.8	
19.5	20.0	20.35	18 1/2	3TB200	Q1	13-Arm	3 5/32	2 1/2	3/8	3/8	4 1/8	3/4	1 3/4	9/32	49.9	
24.5	25.0	25.35	23 1/2	3TB250	Q1	13-Arm	3 5/32	2 1/2	3/8	3/8	4 1/8	3/4	1 3/4	9/32	61.0	
29.5	30.0	30.35	28 1/2	3TB300	Q1	13-Arm	3 5/32	2 1/2	3/8	3/8	4 1/8	3/4	1 3/4	9/32	78.5	
37.5	38.0	38.35	36 1/2	3TB380	Q1	13-Arm	3 5/32	2 1/2	3/8	3/8	4 1/8	3/4	1 3/4	9/32	110.0	

Table No.2

3.0"	3.4"	3.75"	2"	4TB34	P2	3	4 9/16"	2 15/16"	1 1/16"	1 3/8"	3"	5/8"	2 5/16"	1/4"	4.5
3.2	3.6	3.95	2 1/16	4TB36	P2	3	4 9/16	2 15/16	1 1/16	1 3/8	3	5/8	2 5/16	1/4	5.3
3.4	3.8	4.15	2 5/16	4TB38	P1	5	4 1/8	1 15/16	5/8	1 15/16	3	-	1 5/16	1/4	4.8
3.6	4.0	4.35	2 1/2	4TB40	P1	5	4 1/8	1 15/16	5/8	1 15/16	3	-	1 5/16	1/4	5.5
3.8	4.2	4.55	2 11/16	4TB42	P1	5	4 1/8	1 15/16	5/8	1 15/16	3	-	1 5/16	1/4	5.9
4.0	4.4	4.75	2 7/8	4TB44	P1	13-Web	3 1/2	1 15/16	0	1 5/16	3	5/8	1 5/16	1/4	6.5
4.2	4.6	4.95	3 1/16	4TB46	P1	13-Web	3 1/2	1 15/16	0	1 5/16	3	5/8	1 5/16	1/4	7.1
4.4	4.8	5.15	3 5/16	4TB48	P1	13-Web	3 1/2	1 15/16	0	1 5/16	3	5/8	1 5/16	1/4	7.5
4.6	5.0	5.35	3 1/2	4TB50	P1	13-Web	3 1/2	1 15/16	0	1 5/16	3	5/8	1 5/16	1/4	8.3
4.8	5.2	5.55	3 11/16	4TB52	P1	13-Web	3 1/2	1 15/16	0	1 5/16	3	5/8	1 5/16	1/4	9.1
5.0	5.4	5.75	3 7/8	4TB54	P1	13-Web	3 1/2	1 15/16	0	1 5/16	3	5/8	1 5/16	1/4	9.6
5.2	5.6	5.95	4 1/16	4TB56	P1	13-Web	3 1/2	1 15/16	0	1 5/16	3	5/8	1 5/16	1/4	10.6
5.4	5.8	6.15	4 5/16	4TB58	P1	13-Web	3 1/2	1 15/16	0	1 5/16	3	5/8	1 5/16	1/4	11.6
5.6	6.0	6.35	4 1/2	4TB60	P1	13-Web	3 1/2	1 15/16	0	1 5/16	3	5/8	1 5/16	1/4	11.9
5.8	6.2	6.55	4 11/16	4TB62	P1	13-Web	3 1/2	1 15/16	0	1 5/16	3	5/8	1 5/16	1/4	11.1
6.0	6.4	6.75	4 7/8	4TB64	P1	13-Web	3 1/2	1 15/16	0	1 5/16	3	5/8	1 5/16	1/4	11.8
6.2	6.6	6.95	5 1/16	4TB66	P1	13-Web	3 1/2	1 15/16	0	1 5/16	3	5/8	1 5/16	1/4	12.0
6.4	6.8	7.15	5 5/16	4TB68	P1	13-Web	3 1/2	1 15/16	0	1 5/16	3	5/8	1 5/16	1/4	12.5
6.6	7.0	7.35	5 1/2	4TB70	Q1	13-Web	3 17/32	2 1/2	0	3/4	4 1/8	3/4	1 3/4	9/32	15.3
7.0	7.4	7.75	5 15/16	4TB74	Q1	13-Web	3 17/32	2 1/2	0	3/4	4 1/8	3/4	1 3/4	9/32	15.3
7.6	8.0	8.35	6 1/2	4TB80	Q1	13-Web	3 17/32	2 1/2	0	3/4	4 1/8	3/4	1 3/4	9/32	17.0
8.2	8.6	8.95	7 1/16	4TB86	Q1	13-Web	3 17/32	2 1/2	0	3/4	4 1/8	3/4	1 3/4	9/32	20.8
8.6	9.0	9.35	7 1/2	4TB90	Q1	13-Arm	3 17/32	2 1/2	0	3/4	4 1/8	3/4	1 3/4	9/32	20.6
9.0	9.4	9.75	7 15/16	4TB94	Q1	13-Arm	3 17/32	2 1/2	0	3/4	4 1/8	3/4	1 3/4	9/32	20.1
10.6	11.0	11.35	9 7/16	4TB110	Q1	13-Arm	3 17/32	2 1/2	0	3/4	4 1/8	3/4	1 3/4	9/32	25.8
12.0	12.4	12.75	10 15/16	4TB124	Q1	13-Arm	3 17/32	2 1/2	0	3/4	4 1/8	3/4	1 3/4	9/32	27.5
13.2	13.6	13.95	12 1/16	4TB136	Q1	13-Arm	3 17/32	2 1/2	0	3/4	4 1/8	3/4	1 3/4	9/32	31.5
15.0	15.4	15.75	13 15/16	4TB154	Q1	13-Arm	3 17/32	2 1/2	0	3/4	4 1/8	3/4	1 3/4	9/32	36.0
15.6	16.0	16.35	14 1/2	4TB160	Q1	13-Arm	3 17/32	2 1/2	0	3/4	4 1/8	3/4	1 3/4	9/32	39.0
18.0	18.4	18.75	16 15/16	4TB184	Q1	13-Arm	3 17/32	2 1/2	0	3/4	4 1/8	3/4	1 3/4	9/32	44.8
19.5	20.0	20.35	18 1/2	4TB200	Q1	13-Arm	3 17/32	2 1/2	0	3/4	4 1/8	3/4	1 3/4	9/32	57.0
24.5	25.0	25.35	23 1/2	4TB250	Q1	13-Arm	3 17/32	2 1/2	0	3/4	4 1/8	3/4	1 3/4	9/32	69.5
29.5	30.0	30.35	28 1/2	4TB300	Q1	13-Arm	3 17/32	2 1/2	0	3/4	4 1/8	3/4	1 3/4	9/32	90.8
37.5	38.0	38.35	36 1/2	4TB380	Q1	13-Arm	3 17/32	2 1/2	0	3/4	4 1/8	3/4	1 3/4	9/32	125.0



SPLIT TAPER BUSHINGS SHEAVES "A" AND "B" BELTS

TB

For use with all "A" and "B" section belts

Table No.1

DIAMETERS				5 GROOVES, F 4"; 6 GROOVES, F 4 3/4"												Wt. Less Bush.
Datum "A"	Datum "B"	Outside	Inside	Part Number		Type	Dimensions									
				Sheave	Bushing		OL	L	P	C	H	G	X	E		
3.0"	3.4"	3.75"	2"	5TB34	P2	3	5 5/16"	2 15/16"	1 1/16"	2 1/8"	3"	5/8"	2 5/16"	1/4"	5.3	
3.2	3.6	3.95	2 1/16	5TB36	P2	3	5 5/16	2 15/16	1 1/16	2 1/8	3	5/8	2 5/16	1/4	6.1	
3.4	3.8	4.15	2 5/16	5TB38	P2	5	4 7/8	2 15/16	5/8	1 11/16	3	-	2 5/16	1/4	6.1	
3.6	4.0	4.35	2 1/2	5TB40	P2	5	4 7/8	2 15/16	5/8	1 11/16	3	-	2 5/16	1/4	7.0	
3.8	4.2	4.55	2 11/16	5TB42	P2	5	4 7/8	2 15/16	5/8	1 11/16	3	-	2 5/16	1/4	7.8	
4.0	4.4	4.75	2 7/8	5TB44	P2	13-Web	4 1/4	2 15/16	0	1 1/16	3	5/8	2 5/16	1/4	8.5	
4.2	4.6	4.95	3 1/16	5TB46	P2	13-Web	4 1/4	2 15/16	0	1 1/16	3	5/8	2 5/16	1/4	9.8	
4.4	4.8	5.15	3 5/16	5TB48	P2	13-Web	4 1/4	2 15/16	0	1 1/16	3	5/8	2 5/16	1/4	10.5	
4.6	5.0	5.35	3 1/2	5TB50	P2	13-Web	4 1/4	2 15/16	0	1 1/16	3	5/8	2 5/16	1/4	11.6	
4.8	5.2	5.55	3 11/16	5TB52	P2	13-Web	4 1/4	2 15/16	0	1 1/16	3	5/8	2 5/16	1/4	12.5	
5.0	5.4	5.75	3 7/8	5TB54	Q1	13-Web	4 9/32	2 1/2	0	1 1/2	4 1/8	3/4	1 3/4	9/32	10.4	
5.2	5.6	5.95	4 1/16	5TB56	Q1	13-Web	4 9/32	2 1/2	0	1 1/2	4 1/8	3/4	1 3/4	9/32	11.8	
5.4	5.8	6.15	4 5/16	5TB58	Q1	13-Web	4 9/32	2 1/2	0	1 1/2	4 1/8	3/4	1 3/4	9/32	12.8	
5.6	6.0	6.35	4 1/2	5TB60	Q1	13-Web	4 9/32	2 1/2	0	1 1/2	4 1/8	3/4	1 3/4	9/32	13.8	
5.8	6.2	6.55	4 11/16	5TB62	Q1	13-Web	4 9/32	2 1/2	0	1 1/2	4 1/8	3/4	1 3/4	9/32	14.6	
6.0	6.4	6.75	4 7/8	5TB64	Q1	13-Web	4 9/32	2 1/2	0	1 1/2	4 1/8	3/4	1 3/4	9/32	16.4	
6.2	6.6	6.95	5 1/16	5TB66	Q1	13-Web	4 9/32	2 1/2	0	1 1/2	4 1/8	3/4	1 3/4	9/32	17.1	
6.4	6.8	7.15	5 5/16	5TB68	Q1	13-Web	4 9/32	2 1/2	0	1 1/2	4 1/8	3/4	1 3/4	9/32	17.9	
6.6	7.0	7.35	5 1/2	5TB70	Q2	13-Web	4 13/32	3 1/2	1/8	5/8	4 1/8	3/4	2 3/4	9/32	20.9	
7.0	7.4	7.75	5 15/16	5TB74	Q2	13-Web	4 13/32	3 1/2	1/8	5/8	4 1/8	3/4	2 3/4	9/32	19.8	
7.6	8.0	8.35	6 1/2	5TB80	Q2	13-Web	4 13/32	3 1/2	1/8	5/8	4 1/8	3/4	2 3/4	9/32	22.3	
8.2	8.6	8.95	7 1/16	5TB86	Q2	13-Web	4 13/32	3 1/2	1/8	5/8	4 1/8	3/4	2 3/4	9/32	29.5	
8.6	9.0	9.35	7 1/2	5TB90	Q2	13-Arm	4 13/32	3 1/2	1/8	5/8	4 1/8	3/4	2 3/4	9/32	28.6	
9.0	9.4	9.75	7 15/16	5TB94	Q2	13-Arm	4 13/32	3 1/2	1/8	5/8	4 1/8	3/4	2 3/4	9/32	29.5	
10.6	11.0	11.35	9 7/16	5TB110	Q2	13-Arm	4 13/32	3 1/2	1/8	5/8	4 1/8	3/4	2 3/4	9/32	32.8	
12.0	12.4	12.75	10 15/16	5TB124	Q2	13-Arm	4 13/32	3 1/2	1/8	5/8	4 1/8	3/4	2 3/4	9/32	35.4	
13.2	13.6	13.95	12 1/16	5TB136	Q2	13-Arm	4 13/32	3 1/2	1/8	5/8	4 1/8	3/4	2 3/4	9/32	41.0	
15.0	15.4	15.75	13 15/16	5TB154	Q2	13-Arm	4 13/32	3 1/2	1/8	5/8	4 1/8	3/4	2 3/4	9/32	45.3	
15.6	16.0	16.35	14 1/2	5TB160	Q2	13-Arm	4 13/32	3 1/2	1/8	5/8	4 1/8	3/4	2 3/4	9/32	48.0	
18.0	18.4	18.75	16 15/16	5TB184	Q2	13-Arm	4 13/32	3 1/2	1/8	5/8	4 1/8	3/4	2 3/4	9/32	57.3	
19.5	20.0	20.35	18 1/2	5TB200	Q2	13-Arm	4 13/32	3 1/2	1/8	5/8	4 1/8	3/4	2 3/4	9/32	66.0	
24.5	25.0	25.35	23 1/2	5TB250	Q2	13-Arm	4 13/32	3 1/2	1/8	5/8	4 1/8	3/4	2 3/4	9/32	82.5	
29.5	30.0	30.35	28 1/2	5TB300	Q2	13-Arm	4 13/32	3 1/2	1/8	5/8	4 1/8	3/4	2 3/4	9/32	117.0	
37.5	38.0	38.35	36 1/2	5TB380	Q2	13-Arm	4 13/32	3 1/2	1/8	5/8	4 1/8	3/4	2 3/4	9/32	159.0	

Table No.2

3.0"	3.4"	3.75"	2"	6TB34	P2	3	6 1/16"	2 15/16"	1 1/16"	2 7/8"	3"	5/8"	2 5/16"	1/4"	6.1
3.2	3.6	3.95	2 1/16	6TB36	P2	3	6 1/16	2 15/16	1 1/16	2 7/8	3	5/8	2 5/16	1/4	7.3
3.4	3.8	4.15	2 5/16	6TB38	P2	5	5 5/8	2 15/16	5/8	2 7/16	3	-	2 5/16	1/4	7.0
3.6	4.0	4.35	2 1/2	6TB40	P2	5	5 5/8	2 15/16	5/8	2 7/16	3	-	2 5/16	1/4	8.1
3.8	4.2	4.55	2 11/16	6TB42	P2	5	5 5/8	2 15/16	5/8	2 7/16	3	-	2 5/16	1/4	9.3
4.0	4.4	4.75	2 7/8	6TB44	P2	13-Web	5	2 15/16	0	1 13/16	3	5/8	2 5/16	1/4	9.9
4.2	4.6	4.95	3 1/16	6TB46	P2	13-Web	5	2 15/16	0	1 13/16	3	5/8	2 5/16	1/4	11.0
4.4	4.8	5.15	3 5/16	6TB48	P2	13-Web	5	2 15/16	0	1 13/16	3	5/8	2 5/16	1/4	11.8
4.6	5.0	5.35	3 1/2	6TB50	P2	13-Web	5	2 15/16	0	1 13/16	3	5/8	2 5/16	1/4	12.9
4.8	5.2	5.55	3 11/16	6TB52	P2	13-Web	5	2 15/16	0	1 13/16	3	5/8	2 5/16	1/4	14.8
5.0	5.4	5.75	3 7/8	6TB54	Q1	13-Web	5 1/32	2 1/2	0	2 1/4	4 1/8	3/4	1 3/4	9/32	11.8
5.2	5.6	5.95	4 1/16	6TB56	Q1	13-Web	5 1/32	2 1/2	0	2 1/4	4 1/8	3/4	1 3/4	9/32	17.3
5.4	5.8	6.15	4 5/16	6TB58	Q1	13-Web	5 1/32	2 1/2	0	2 1/4	4 1/8	3/4	1 3/4	9/32	14.5
5.6	6.0	6.35	4 1/2	6TB60	Q1	13-Web	5 1/32	2 1/2	0	2 1/4	4 1/8	3/4	1 3/4	9/32	15.4
5.8	6.2	6.55	4 11/16	6TB62	Q1	13-Web	5 1/32	2 1/2	0	2 1/4	4 1/8	3/4	1 3/4	9/32	16.4
6.0	6.4	6.75	4 7/8	6TB64	Q1	13-Web	5 1/32	2 1/2	0	2 1/4	4 1/8	3/4	1 3/4	9/32	18.6
6.2	6.6	6.95	5 1/16	6TB66	Q1	13-Web	5 1/32	2 1/2	0	2 1/4	4 1/8	3/4	1 3/4	9/32	18.5
6.4	6.8	7.15	5 5/16	6TB68	Q1	13-Web	5 1/32	2 1/2	0	2 1/4	4 1/8	3/4	1 3/4	9/32	20.8
6.6	7.0	7.35	5 1/2	6TB70	Q2	15-Web	4 25/32	3 1/2	1/4	1	4 1/8	3/4	2 3/4	9/32	22.8
7.0	7.4	7.75	5 15/16	6TB74	Q2	15-Web	4 25/32	3 1/2	1/4	1	4 1/8	3/4	2 3/4	9/32	26.5
7.6	8.0	8.35	6 1/2	6TB80	Q2	15-Web	4 25/32	3 1/2	1/4	1	4 1/8	3/4	2 3/4	9/32	24.1
8.2	8.6	8.95	7 1/16	6TB86	Q2	15-Web	4 25/32	3 1/2	1/4	1	4 1/8	3/4	2 3/4	9/32	27.1
8.6	9.0	9.35	7 1/2	6TB90	Q2	15-Web	4 25/32	3 1/2	1/4	1	4 1/8	3/4	2 3/4	9/32	30.6
9.0	9.4	9.75	7 15/16	6TB94	Q2	15-Arm	4 25/32	3 1/2	1/4	1	4 1/8	3/4	2 3/4	9/32	32.8
10.6	11.0	11.35	9 7/16	6TB110	Q2	15-Arm	4 25/32	3 1/2	1/4	1	4 1/8	3/4	2 3/4	9/32	36.6
12.0	12.4	12.75	10 15/16	6TB124	Q2	15-Arm	4 25/32	3 1/2	1/4	1	4 1/8	3/4	2 3/4	9/32	39.8
13.2	13.6	13.95	12 1/16	6TB136	Q2	15-Arm	4 25/32	3 1/2	1/4	1	4 1/8	3/4	2 3/4	9/32	44.9
15.0	15.4	15.75	13 15/16	6TB154	Q2	15-Arm	4 25/32	3 1/2	1/4	1	4 1/8	3/4	2 3/4	9/32	49.9
15.6	16.0	16.35	14 1/2	6TB160	Q2	15-Arm	4 25/32	3 1/2	1/4	1	4 1/8	3/4	2 3/4	9/32	54.0
18.0	18.4	18.75	16 15/16	6TB184	Q2	15-Arm	4 25/32	3 1/2	1/4	1	4 1/8	3/4	2 3/4	9/32	62.0
19.5	20.0	20.35	18 1/2	6TB200	Q2	15-Arm	4 25/32	3 1/2	1/4	1	4 1/8	3/4	2 3/4	9/32	74.0
24.5	25.0	25.35	23 1/2	6TB250	Q2	15-Arm	4 25/32	3 1/2	1/4	1	4 1/8	3/4	2 3/4	9/32	89.5
29.5	30.0	30.35	28 1/2	6TB300	Q2	15-Arm	4 25/32	3 1/2	1/4	1	4 1/8	3/4	2 3/4	9/32	128.0
37.5	38.0	38.35	36 1/2	6TB380	Q2	15-Arm	4 25/32	3 1/2	1/4	1	4 1/8	3/4	2 3/4	9/32	179.0