

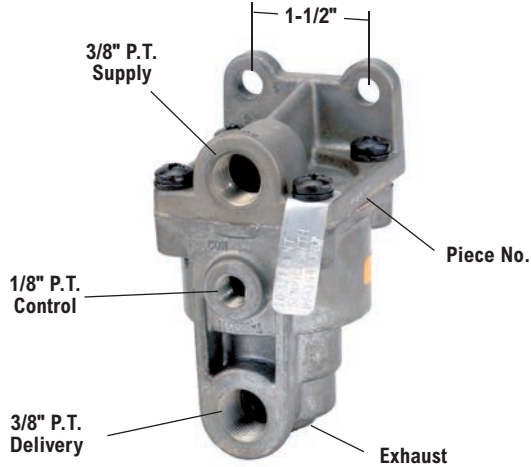
Bendix® LQ-5™ Bobtail Limiting Valve

- Available Remanufactured Exchange
- Maintenance Kit 107195

V.M.R.S. 13-010-010

[SD-03-953](#)

Reman. Exch. Pc. No.	Service New Pc. No.
065154RX	065154



Bendix® BP-1™ Air Brake Proportioning Valve

- BP-1™ Air Brake Proportioning Valve Front Maintenance Kit 104710
- BP-1™ Air Brake Proportioning Valve Rear Maintenance Kit 104711

[SD-03-952](#)

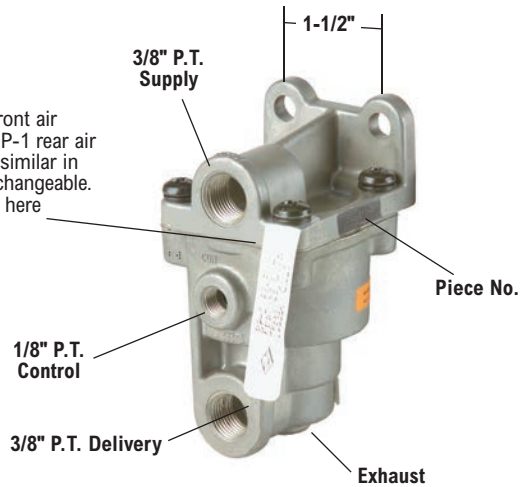
V.M.R.S. 13-010-222

Front Service New Pc. No.	Nominal Hold Off Pressure (psi)	Nominal Equalizing Pressure (psi)
104598N	4	50

V.M.R.S. 13-010-222

Rear Service New Pc. No.	Nominal Inshot Pressure (psi)	Nominal Equalizing Pressure (psi)
106284	8	105

Caution: The Bendix® BP-1™ front air brake proportioning valve & BP-1 rear air brake proportioning valve are similar in appearance but are NOT interchangeable. Note identification tag located here



- Field Installation Kit **209924** (vehicles *with* front axle limiting)

BP-R1® Bobtail Brake Proportioning Relay Valve

- Maintenance Kit 106932
- Universal Mounting Bracket 296010N furnished with Exchange Valve

V.M.R.S. 13-010-222

[SD-03-1067](#)

Reman. Exch. Pc. No.	Service New Pc. No.	Crack Pressure
065145RX	065145N	4
065146RX	065146N	5.5

