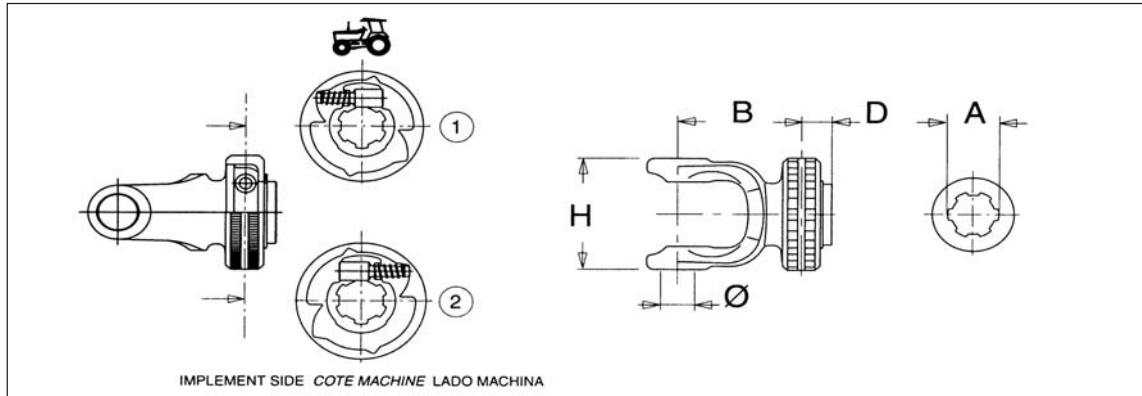




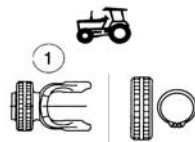
Dimension Size	Puissance Power		Croisillons Cross kit	Mâchoires Yokes	Profils Télescopiques Telescoping members		
	540rpm/min U/min Kw CV-HP	1000rpm/min U/min Kw CV-HP			100-1C0	1R0	400
1	12 16	18 25	 41201	 63,5 2 1/2"	 12502.... 12503....	 24504.... 12518....	 25 Z10 25 CUNA
2	15 21	23 31	 41202	 70 2 3/4"	 12504.... 12505....	 24504.... 12518....	 25 Z10 25 CUNA
3	22 30	35 47	 41203	 79,5 3 1/8"	 12505.... 12508....	 24505.... 12516....	 30 Z10 30 CUNA
4	26 35	40 55	 41204	 84 3 5/16"	 12507.... 12508....	 24510.... 12516....	 30 Z10 30 CUNA
5	35 47	54 74	 41205	 91 3 9/16"	 12509.... 12510....	 24516.... 12520....	 35 Z12 35 CUNA
6	47 64	74 100	 41206	 103 4 1/16"	 12509.... 12512....	 24516.... 12517....	 35 Z12 35 CUNA
7	55 75	87 118	 41207	 106 4 3/16"	 12511.... 12512....	 24518.... 12517....	 40 Z14 40 CUNA
8	70 95	110 150	 41208	 117 4 5/8"	 12512.... 12522....	 24569.... 12521....	 40 Z14 40 CUNA
9	88 120	140 190	 41209	 119 4 3/4"	 12513.... 12522....	 24574.... 12521....	 45 Z16 45 CUNA
10	106 145	170 230	 41210	 130,5 5 1/8"	 12514.... 12515....	 24525.... 12519....	 45 Z16 45 CUNA



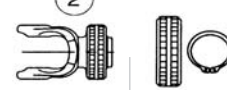
MÂCHOIRES EXTÉRIEURES - OUTER YOKES



Voir page 57 pour produit alternatif
See page 57 for alternative product



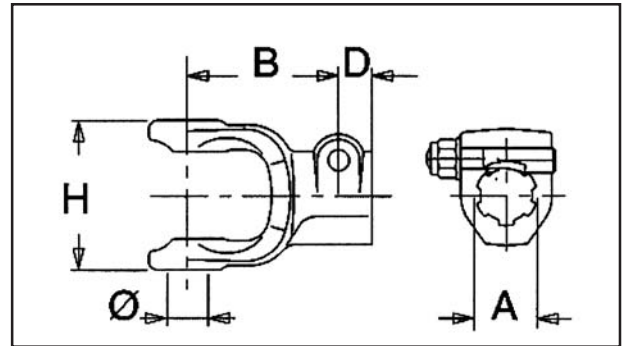
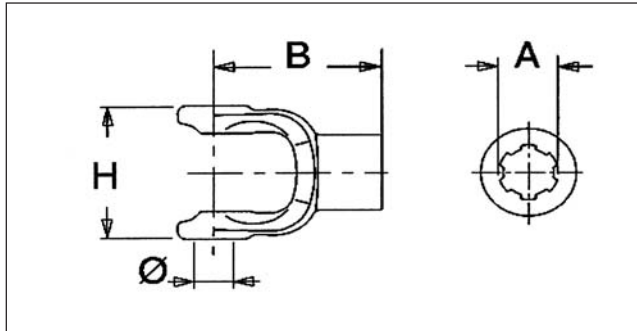
IMPLEMENT SIDE
COTE MACHINE



SERIE	H	Ø	B	D	A						
1	63,5 2-1/2"	22	76	17	1-3/8"Z6	572010351	240080061	572010361	240000361	403000001	
					1-3/8"Z21	572013751		572013761			
2	70 2-3/4"	23,8	80	21	1-3/8"Z6	572020351	240080061	572020361	240000361	403000001	
					1-3/8"Z21	572023751		572023761			
3	79,5 3-1/8"	27	83	21	1-3/8"Z6	572030351	240080061	572030361	240000361	403000001	
					1-3/8"Z21	572033751		572033761			
4	84 3-5/16"	27	87	21	1-3/8"Z6	572040351	240080061	572040361	240000361	403000001	
						1-3/8"Z21		572043751			572043761
			88	24	1-3/4"Z6	572040451	240040061	572040461	240000461	403000012	
					1-3/4"Z20	572043851		572043861			
5	91 3-9/16"	30,2	90	21	1-3/8"Z6	572050351	240080061	572050361	240000361	403000001	
						1-3/8"Z21		572053751			572053761
				93	24	1-3/4"Z6	572050451	240040061	572050461	240000461	403000012
	1-3/4"Z20	572053851	572053861								
6	103 4-1/16"	30,2	97	21	1-3/8"Z6	572060351	240080061	572060361	240000361	403000001	
						1-3/8"Z21		572063751			572063761
				97	24	1-3/4"Z6	572060451	240040061	572060461	240000461	403000012
	1-3/4"Z20	572063851	572063861								
7	106 4-3/16"	35	98	21	1-3/8"Z6	572070351	240080061	572070361	240000361	403000001	
						1-3/8"Z21		572073751			572073761
				98	24	1-3/4"Z6	572070451	240040061	572070461	240000461	403000012
	1-3/4"Z20	572073851	572073861								
8	117 4-5/8"	35	105	21	1-3/8"Z6	572080351	240080061	572080361	240000361	403000001	
						1-3/8"Z21		572083751		572083761	403000013
				105	24	1-3/4"Z6	572080451	240040061	572080461	240000461	403000012
						1-3/4"Z20	572083851		572083861		
9	119 4-3/4"	41	107	21	1-3/8"Z6	572090351	240080061	572090361	240000361	403000001	
						1-3/8"Z21		572093751		572093761	403000013
				107	24	1-3/4"Z6	572090451	240040061	572090461	240000461	403000012
						1-3/4"Z20	572093851		572093861		
10	130,5 5-1/8"	41	113	21	1-3/8"Z6	572100351	240080061	572100361	240000361	403000001	
						1-3/8"Z21		572103751		572103761	403000013
				113	25	1-3/4"Z6	572100451	240040061	572100461	240000461	403000012
						1-3/4"Z20	572103851		572103861		

Les mâchoires pour les dimensions 8-9-10 sont fournies de série avec 2 verrous.
Size 8-9-10 yokes supplied with 2 QD pins.

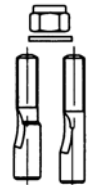
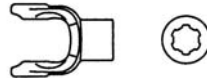
MÂCHOIRES EXTÉRIEURES - OUTER YOKES


Recommended tightening torques:

- 150 Nm (110 ft lbs) for 1 3/8" Z6 or Z21 profiles
- 220 Nm (160 ft lbs) for 1 3/4" Z6 or Z20 profiles

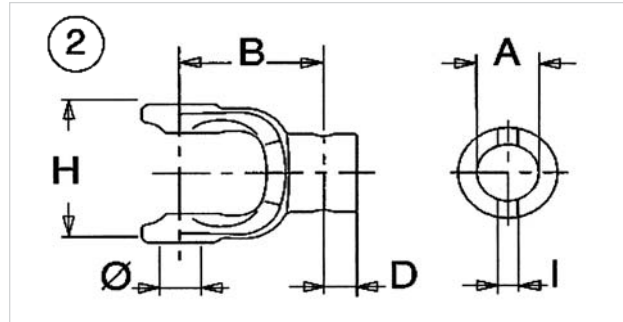
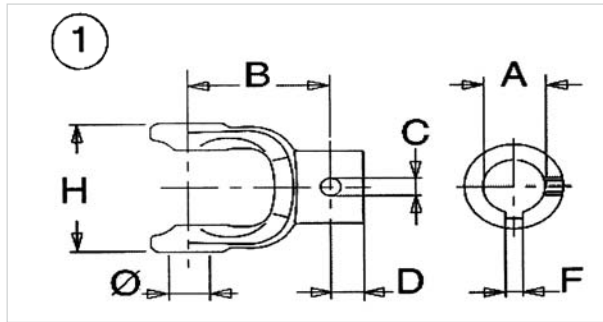
Couple de serrage préconisé:

- 150 Nm (110 ft lbs) pour profils 1 3/8" Z6 ou Z21
- 220 Nm (160 ft lbs) pour profils 1 3/4" Z6 ou Z20



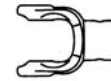
SERIE	H	Ø	A	B		B	D		
1	63,5	22	1-3/8" Z6	78	203010351	76	14	509010361	408000060
	2-1/2"		1-3/8" Z21		203013751			509013753	
2	70	23,8	1-3/8" Z6	82	203020351	80	19	509020355	408000060
			1-3/8" Z21		203023751			509023765	
	21 UNI221		203020951		-				
	26 UNI220		203021251		-				
3	79,5	27	1-3/8" Z6	92	203030351	83	19	509030360	408000060
	3-1/8"		1-3/8" Z21		203033751			509033753	
4	84	27	1-3/8" Z6	90	203040351	88	19	509040362	408000060
			1-3/8" Z21		203043751			509043754	
	3-5/16"		-		-		509040453	408000061	
			1-3/4" Z6		-		509043853		
5	91	30,2	1-3/8" Z6	98	203050351	90	19	509050360	408000060
			1-3/8" Z21		203053751			509053754	
	3-9/16"		1-3/4" Z6	98	203050451	90	24	509050453	408000061
			1-3/4" Z20		203053851			509053853	
6	103	30,2	1-3/8" Z6	105	203060351	97	19	509060361	408000060
			1-3/8" Z21		203063751			509063755	
	4-1/16"		1-3/4" Z6	116	203060451	97	24	509060453	408000061
			1-3/4" Z20		203063851			509063854	
7	106	35	1-3/8" Z6	119	203170351	98	21	509070353	408000060
			1-3/8" Z21		203173751			509073753	
	4-3/16"		1-3/4" Z6	119	203170451	98	24	509070452	408000061
			1-3/4" Z20		203173851			509073851	
8	117	35	1-3/8" Z6	120	203080351	105	19	509080355	408000060
			1-3/8" Z21		203083751			509083754	
	4-5/8"		1-3/4" Z6	120	203080451	105	24	509080455	408000061
			1-3/4" Z20		203083851			509083855	
9	119	41	1-3/8" Z6	131	203190351	107	24	509190352	408000060
			1-3/8" Z21		203193751			509193752	
	4-3/4"		1-3/4" Z6	131	203190451	107	24	509190452	408000061
			1-3/4" Z20		203193851			509193852	
10	130,5	41	1-3/8" Z6	138	203100351	113	25	509100353	408000060
			1-3/8" Z21		200103751			509103753	
	5-1/8"		1-3/4" Z6	138	203100451	113	25	509100455	408000061
			1-3/4" Z20		203103851			509103853	

MÂCHOIRES EXTÉRIEURES - OUTER YOKES



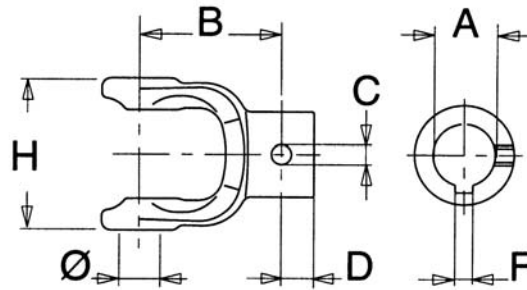
Voir page 57 pour produit alternatif

See page 57 for alternative product



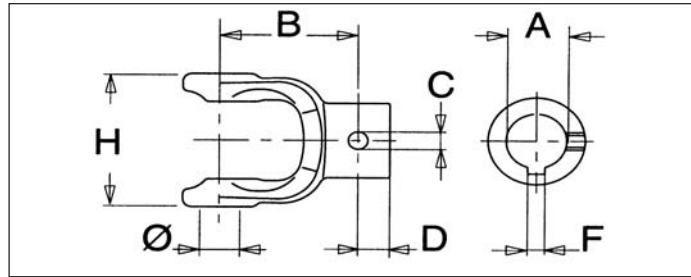
SERIE	H	Ø	A	B	D	F	C		B	D	I	
						Js9					H12	
1	63,5 2-1/2"	22	20	58	20	6	M8	212016752	63	15	6	211014451
			25	58	20	8	M10	212016151	63	15	8	211014651
			30	58	20	8	M10	212016251	65	15	10	211014851
			3/4"	2-1/4"	13/16"	3/16"	3/8" -16 UNC	212018451	2-7/16"	5/8"	3/8"	211018951
			1"	2-1/4"	13/16"	1/4"	3/8" -16 UNC	212018551	2-7/16"	5/8"	3/8"	211019001
2	70 2-3/4"	23,8	20	62	20	6	M8	212026752	67	15	6	211024451
			25	62	20	8	M10	212026151	67	15	8	211024651
			30	62	20	8	M10	216026251	67	15	10	211024851
			3/4"	2-7/16"	13/16"	3/16"	3/8" -16 UNC	212028451	2-1/2"	5/8"	3/8"	211028951
			1"	2-7/16"	13/16"	1/4"	3/8" -16 UNC	212028551	2-1/2"	5/8"	3/8"	211029051
			1/4"	2-7/16"	13/16"	5/16"	3/8" -16 UNC	212028651	2-1/2"	5/8"	3/8"	211029151
3	79,5 3-1/8"	27	25	72	20	8	M12	212036151	72	20	8	211034651
			30	72	20	8	M12	212036251	72	20	10	211034851
			35	72	20	10	M12	212036351	72	20	13	211034951
			1"	72	20	1/4"	3/8" -16 UNC	212038551	72	20	3/8"	211039051
			1-1/4"	72	20	5/16"	3/8" -16 UNC	212038651	72	20	3/8"	211039151
			1-3/8"	72	20	5/16"	3/8" -16 UNC	212038751	72	20	3/8"	211039251
4	84 3-5/16"	27	25	70	20	8	M12	212046151	70	20	8	211044651
			30	70	20	8	M12	212046251	70	20	10	211044851
			35	70	20	10	M12	212046351	70	20	13	211044951
			1"	2-3/4"	13/16"	1/4"	3/8" -16UNC	212046762	2-3/4"	13/16"	3/8"	211049051
			1-1/4"	2-3/4"	13/16"	5/16"	3/8" -16UNC	212046851	2-3/4"	13/16"	3/8"	211049151
			1-3/8"	2-3/4"	13/16"	5/16"	3/8" -16UNC	212048751	2-3/4"	13/16"	3/8"	211049251
5	91 3-9/16"	30,2	30	78	20	8	M12	212056251	78	20	10	211054851
			35	78	20	10	M12	212056351	78	20	13	211054951
			40	78	20	12	M12	212056451	78	20	13	211055051
			1-1/4"	3-1/16"	13/16"	5/16"	3/8" -16 UINC	212058651	3-1/16"	13/16"	3/8"	211059151
			1-3/8"	3-1/16"	13/16"	5/16"	3/8" -16 UINC	212058751	3-1/16"	13/16"	3/8"	211059251
6	103 4-1/16"	30,2	30	85	20	8	M12	212066251	85	20	10	211064851
			35	85	20	10	M12	212066351	85	20	13	211064951
			40	96	20	12	M12	212066451	96	20	13	211065051
			1-1/4"	3-5/16"	13/16"	5/16"	3/8" -16 UINC	212068451	3-5/16"	13/16"	3/8"	211069151
			1-3/8"	3-5/16"	13/16"	5/16"	3/8" -16 UINC	212068751	3-5/16"	13/16"	3/8"	211069251
			1-3/4"	3-3/4"	13/16"	3/8"	3/8" -16 UINC	212068851	3-3/4"	13/16"	3/8"	211069351
7	106 4-3/16"	35	35	94	25	10	M14	212176351	94	25	13	211174951
			40	94	25	12	M14	212176451	94	25	13	211175051
			45	94	25	14	M14	212176551	94	25	13	211175251
8	117 4-5/8"	35	35	95	25	10	M14	212086351	94	25	13	211084951
			40	95	25	12	M14	212086451	95	25	13	211085051
			45	94	25	14	M14	212086551	95	25	13	211085251
9	119 4-3/4"	41	40	106	25	12	M14	212196451	106	25	13	211195051
			45	106	25	14	M14	212196551	106	25	13	211195251
10	130,5 5-1/8"	41	40	113	25	12	M14	212106451	113	25	13	211105051
			45	113	25	14	M14	212106551	113	25	13	211105251

MÂCHOIRES EXTÉRIEURES - OUTER YOKES



SERIE	H	Ø	A	B	D	F	C	
1	63,5 2-1/2"	22	3/4"	58	20	3/16"	3/8" -16 UNC	212018451
			7/8"	58	20	1/4"	3/8" -16 UNC	212016764
			1"	58	20	1/4"	3/8" -16 UNC	212018551
			1-1/8"	58	20	5/16"	3/8" -16 UNC	212016768
			1-1/4"	60	20	1/4"	3/8" -16 UNC	212016782
			1-1/4"	60	20	5/16"	3/8" -16 UNC	212016777
2	70 2-3/4"	23,8	3/4"	62	20	3/16"	3/8" -16 UNC	212028451
			1"	62	20	1/4"	3/8" -16 UNC	212028551
			1-1/8"	62	20	5/16"	3/8" -16 UNC	212026770
			1-1/4"	62	20	1/4"	3/8" -16 UNC	212026776
			1-1/4"	62	20	5/16"	3/8" -16 UNC	212028651
3	79,5 3-1/8"	27	1-3/8"	62	20	5/16"	3/8" -16 UNC	212026764
			1"	72	20	1/4"	3/8" -16 UNC	212038551
			1-1/8"	72	20	5/16"	3/8" -16 UNC	212036762
			1-1/4"	72	20	1/4"	3/8" -16 UNC	212036763
4	84 3-5/16"	27	1-1/4"	72	20	5/16"	3/8" -16 UNC	212036851
			1-3/8"	72	20	5/16"	3/8" -16 UNC	212038751
			1"	69,5	20	1/4"	3/8" -16 UNC	212046762
			1-1/8"	69,5	20	5/16"	3/8" -16 UNC	212046761
			1-1/4"	69,5	20	1/4"	3/8" -16 UNC	212046764
5	91 3-9/16"	30,2	1-1/4"	69,5	20	5/16"	3/8" -16 UNC	212048651
			1-3/8"	69,5	20	5/16"	3/8" -16 UNC	212048751
			1-3/8"	69,5	20	3/8"	3/8" -16 UNC	212046766
			1-1/2"	69,5	20	3/8"	3/8" -16 UNC	212046765
			1-1/4"	78	20	1/4"	3/8" -16 UNC	212056755
			1-1/4"	78	20	5/16"	3/8" -16 UNC	212056651
6	103 4-1/16"	30,2	1-3/8"	78	20	5/16"	3/8" -16 UNC	212058751
			1-1/2"	78	20	3/8"	3/8" -16 UNC	212056752
			1-3/4"	78	20	3/8"	3/8" -16 UNC	212056754
			1-1/4"	85	20	1/4"	3/8" -16 UNC	212066760
			1-1/4"	85	20	5/16"	3/8" -16 UNC	212068651
			1-3/8"	85	20	5/16"	3/8" -16 UNC	212068751
			1-3/8"	96	20	3/8"	3/8" -16 UNC	212066755
7	106 4-3/16"	35	1-1/2"	85	20	3/8"	3/8" -16 UNC	212066766
			1-3/4"	96	20	3/8"	3/8" -16 UNC	212068851
			2"	80	25	1/2"	3/8" -16 UNC	212066772
			1-3/8"	94	25	5/16"	3/8" -16 UNC	212178751
8	117 4-5/8"	35	1-1/2"	94	25	3/8"	3/8" -16 UNC	212176753
			1-3/4"	94	25	3/8"	3/8" -16 UNC	212176754
			1-3/8"	99	25	5/16"	3/8" -16 UNC	212086759
			1-3/8"	95	25	3/8"	3/8" -16 UNC	212086755
			1-1/2"	95	25	3/8"	3/8" -16 UNC	212086756
			1-3/4"	95	25	3/8"	3/8" -16 UNC	212086753
9	119 4-3/4"	41	1-7/8"	95	25	3/8"	3/8" -16 UNC	212086261
			2"	95	25	1/2"	3/8" -16 UNC	212086758
			1-1/4"	103	20	5/16"	3/8" -16 UNC	212196752
			1-3/8"	103	20	5/16"	3/8" -16 UNC	212198751
10	130,5 5-1/8"	41	1-3/4"	106	30	5/16"	3/8" -16 UNC	212108751
			1-1/2"	106	30	3/8"	3/8" -16 UNC	212106753
			1-3/4"	106	30	3/8"	3/8" -16 UNC	212108851
			2"	106	30	1/2"	3/8" -16 UNC	212106754

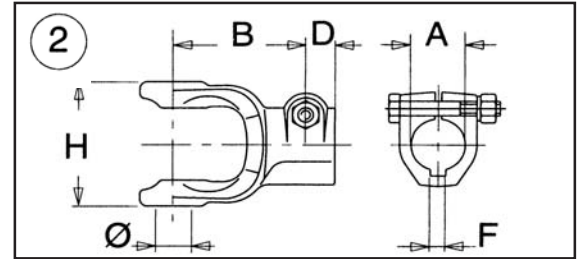
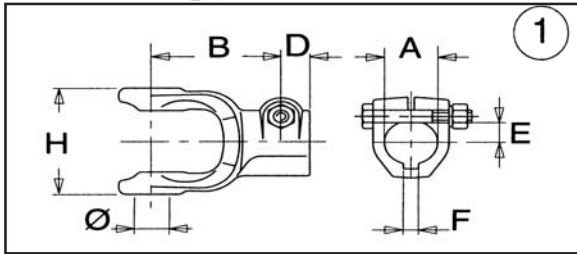
MÂCHOIRES EXTÉRIEURES - OUTER YOKES



SERIE	H	Ø	A	B	D	F	C	I	H12
1	63,5 2-1/2"	22	3/4"	58	20	3/16"	3/8" -16 UNC	1/4"	211018451
			7/8"	58	20	3/16"	3/8" -16 UNC	1/4"	211016764
			1"	58	20	1/4"	3/8" -16 UNC	1/4"	211018558
			1-1/8"	58	20	1/4"	3/8" -16 UNC	1/4"	211016765
			1-1/4"	60	20	1/4"	3/8" -16 UNC	5/16"	211016760
2	70 2-3/4"	23,8	1-1/4"	60	20	5/16"	3/8" -16 UNC	5/16"	211018652
			3/4"	62	20	3/16"	3/8" -16 UNC	1/4"	211028451
			7/8"	62	20	3/16"	3/8" -16 UNC	1/4"	211026770
			1"	62	20	1/4"	3/8" -16 UNC	1/4"	211026761
			1-1/8"	62	20	1/4"	3/8" -16 UNC	1/4"	211026771
3	79,5 3-1/8"	27	1-1/4"	62	20	1/4"	3/8" -16 UNC	5/16"	211026763
			1-1/4"	62	20	5/16"	3/8" -16 UNC	5/16"	211026762
			1-3/8"	62	20	5/16"	3/8" -16 UNC	5/16"	211028751
			1"	72	20	1/4"	3/8" -16 UNC	1/4"	211038564
			1-1/8"	72	20	1/4"	3/8" -16 UNC	1/4"	211036768
4	84 3-5/16"	27	1-1/4"	72	20	1/4"	3/8" -16 UNC	5/16"	211036764
			1-1/4"	72	20	5/16"	3/8" -16 UNC	5/16"	211038651
			1-3/8"	72	20	5/16"	3/8" -16 UNC	5/16"	211038765
			1"	69,5	20	1/4"	3/8" -16 UNC	1/4"	211048552
			1-1/8"	69,5	20	1/4"	3/8" -16 UNC	1/4"	211046773
5	91 3-9/16"	30,2	1-1/4"	69,5	20	1/4"	3/8" -16 UNC	5/16"	211048669
			1-1/4"	69,5	20	1/4"	3/8" -16 UNC	5/16"	211046761
			1-3/8"	69,5	20	5/16"	3/8" -16 UNC	5/16"	211048751
			1-3/8"	69,5	20	3/8"	3/8" -16 UNC	5/16"	211046769
			1-1/2"	69,5	20	3/8"	3/8" -16 UNC	5/16"	211046768
6	103 4-1/16"	30,2	1-1/4"	78	20	1/4"	3/8" -16 UNC	5/16"	211056757
			1-1/4"	78	20	5/16"	3/8" -16 UNC	5/16"	211058651
			1-3/8"	78	20	5/16"	3/8" -16 UNC	5/16"	211058751
			1-3/8"	78	20	3/8"	3/8" -16 UNC	5/16"	211056759
			1-1/2"	78	20	3/8"	3/8" -16 UNC	5/16"	211056756
7	106 4-3/16"	35	1-3/4"	78	20	3/8"	3/8" -16 UNC	5/16"	211058852
			1-1/4"	85	20	1/4"	3/8" -16 UNC	5/16"	211066760
			1-1/4"	85	20	5/16"	3/8" -16 UNC	5/16"	211068651
			1-3/8"	85	20	5/16"	3/8" -16 UNC	5/16"	211068751
			1-3/8"	85	20	3/8"	3/8" -16 UNC	5/16"	211068771
8	117 4-5/8"	35	1-1/2"	85	20	3/8"	3/8" -16 UNC	5/16"	211066767
			1-3/4"	85	20	3/8"	3/8" -16 UNC	5/16"	211068851
			1-15/16"	85	20	1/2"	3/8" -16 UNC	5/16"	211066768
			2"	85	20	1/2"	3/8" -16 UNC	3/8"	211066772
			1-3/8"	94	25	5/16"	3/8" -16 UNC	5/16"	211178751
9	119 4-3/4"	41	1-3/8"	94	25	3/8"	3/8" -16 UNC	5/16"	211176755
			1-1/2"	94	25	3/8"	3/8" -16 UNC	5/16"	211176752
			1-3/4"	94	25	3/8"	3/8" -16 UNC	5/16"	211178851
			1-3/8"	95	25	5/16"	3/8" -16 UNC	5/16"	211088751
			1-3/8"	95	25	3/8"	3/8" -16 UNC	5/16"	211086768
10	130,5 5-1/8"	41	1-1/2"	95	25	5/16"	3/8" -16 UNC	3/8"	211086761
			1-3/4"	95	25	3/8"	3/8" -16 UNC	3/8"	211088860
			1-15/16"	95	25	1/2"	3/8" -16 UNC	5/16"	211088860
			2"	95	25	1/2"	3/8" -16 UNC	3/8"	211086763
			2"	95	25	1/2"	3/8" -16 UNC	3/8"	211086759
10	130,5 5-1/8"	41	1-1/2"	98	25	3/8"	3/8" -16 UNC	3/8"	211196752
			1-3/4"	98	25	3/8"	3/8" -16 UNC	3/8"	211198851
			1-15/16"	98	25	1/2"	3/8" -16 UNC	5/16"	211198851
			2"	98	25	1/2"	3/8" -16 UNC	3/8"	211196754
			1-1/2"	106	30	3/8"	3/8" -16 UNC	3/8"	211106751
10	130,5 5-1/8"	41	1-3/4"	106	30	3/8"	3/8" -16 UNC	3/8"	211108851
			1-15/16"	106	30	1/2"	3/8" -16 UNC	5/16"	211106752
			2"	106	30	1/2"	3/8" -16 UNC	3/8"	211106753

**BONDOLI
& PAVESI**


MÂCHOIRES EXTÉRIEURES - OUTER YOKES

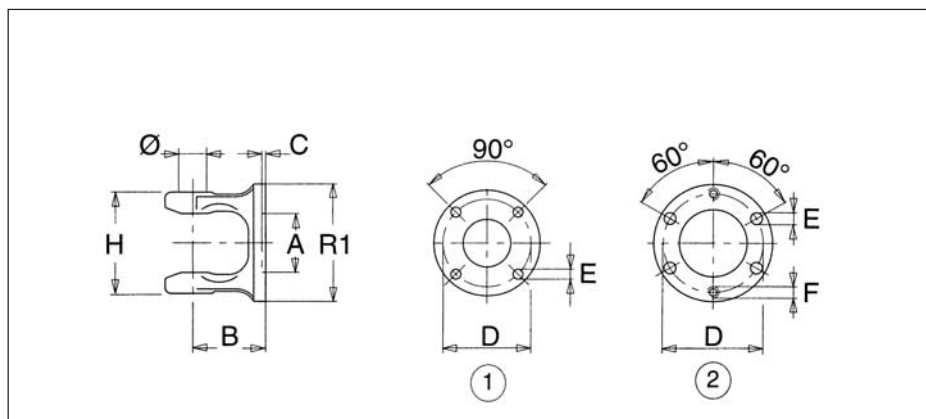


Recommended tightening torques: - 91 Nm (67 ft lbs) for M12 bolts
 - 144 Nm (106 ft lbs) for M14 bolts

Couple de serrage préconisé: - 91 Nm (67 ft lbs) pour boulons M12
 - 144 Nm (106 ft lbs) pour boulons M14

	H	Ø	A	B	D	E	F				
								1		2	
1	63,5 2-1/2"	22	20	55	20	8.5	6	509016753	408000015	509016751	303001200
			25	76	14	11	8	509016152	408000015	509016151	408000015
			30	76	14	13	8	509016252	408000003	509016251	408000015
			3/4"	2-3/16"	13/16"	9/32"	3/16"	509018451	408000015	-	-
			1"	3"	9/16"	7/16"	1/4"	509018551	408000015	509018552	-
2	70 2-3/4"	23,8	20	70	14	8.5	6	509026753	408000015	509026751	408000023
			25	80	19	11	8	509026152	408000015	509026151	408000015
			30	80	19	13	8	509026252	408000003	509026251	408000015
			3/4"	2-3/4"	9/16"	9/32"	3/16"	509028451	408000015	-	-
			1"	3-1/8"	3/4"	7/16"	1/4"	509028551	408000015	-	-
			1-1/4"	3-1/8"	3/4"	9/16"	5/16"	509025651	408000003	-	-
3	79,5 3-1/8"	27	25	83	19	11	8	509036152	408000001	509036151	408000001
			30	83	19	13	8	509036252	408000009	509036251	408000001
			35	83	19	15.5	10	509036352	408000009	509036351	408000001
			1"	83	19	7/16"	1/4"	509038551	408000001	-	-
			1-1/4"	83	19	9/16"	5/16"	509038651	408000009	-	-
			1-3/8"	83	19	5/8"	5/16"	509038751	408000009	-	-
4	84 3-5/16"	27	25	88	19	11	8	509046152	408000001	509046151	408000001
			30	88	19	13	8	509046252	408000009	509046251	408000001
			35	88	19	15.5	10	509046352	408000009	509046351	408000001
			1"	3-7/16"	3/4"	7/16"	1/4"	509048551	408000002	-	-
			1-1/4"	3-7/16"	3/4"	9/16"	5/16"	509048651	408000009	509048652	-
			1-3/8"	3-7/16"	3/4"	5/8"	5/16"	509048751	408000009	-	-
5	91 3-9/16"	30,2	30	90	19	13	8	509056252	408000009	509056251	408000001
			35	90	19	15.5	10	509056352	408000009	509056351	408000001
			40	90	24	18	12	509056452	408000002	509056451	408000002
			1-1/4"	3-9/16"	3/4"	9/16"	5/16"	509058651	408000009	-	-
			1-3/8"	3-9/16"	3/4"	5/8"	5/16"	509058751	408000009	-	-
6	103 4-1/16"	30,2	30	97	19	13	8	509066252	408000009	509066251	408000009
			35	97	19	15,5	10	509066352	408000009	509066351	408000005
			40	97	24	18	12	509066452	408000002	509066451	408000002
			1-1/4"	3-13/16"	3/4"	9/16"	5/16"	509068651	408000009	-	-
			1-3/8"	3-13/16"	3/4"	5/8"	5/16"	509068751	408000009	-	-
			1-1/2"	3-13/16"	3/4"	-	3/8"	509066760	408000002	-	-
			1-3/4"	3-13/16"	3/4"	13/16"	3/8"	509068851	408000002	509068852	-
7	106 4-3/16"	35	35	98	21	15,5	10	509176352	408000002	509176351	408000005
			40	98	24	18	12	509176451	408000018	509176452	408000018
			45	98	24	20,5	14	509176551	408000018	509176552	408000018
8	117 4-5/8"	35	35	105	19	15,5	10	509086352	408000009	509086353	408000009
			40	105	24	18	12	509086452	408000002	509086451	408000002
			45	105	24	20,5	14	509086552	408000002	509086551	408000002
9	119 4-3/4"	41	40	107	24	18	12	509196451	408000007	-	-
			45	107	24	20,5	14	509196551	408000037	509196552	408000035
10	130,5 5-1/8"	41	40	113	25	18	12	509106451	408000007	509106452	408000007
			45	113	25	20,5	14	509106551	408000007	509106552	408000007

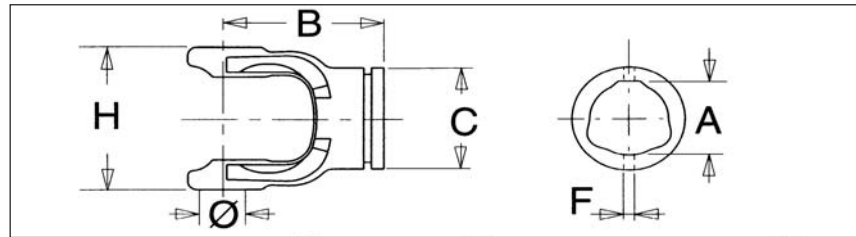
MÂCHOIRES EXTÉRIEURES - OUTER YOKES



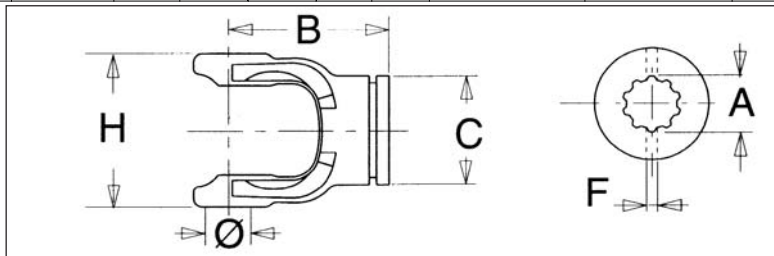
SERIE	H	Ø	R1	A	B	C	D	E	F	90° ①	60° ②
1	63,5 2-1/2"	22	90	47	49	2,5	74,5	8,5	M8	221017153	221017251
	70 2-3/4"									221027153	221027251
3	79,5 3-1/8"	27	100	57	59	2,5	84	10,5	M10	221037153	221037251
	90		47	2,5		74,5	8,5	-	221037152	-	
4	84 3-5/16"	27	100	57	64	2,5	84	10,5	M10	221047153	221047251
	90		47	2,5		74,5	8,5	-	221047152	-	
5	91 3-9/16"	30,2	110	57	68	2,5	94	10,5	M10	221057153	221057251
	100		57	2,5		84	10,5	-	221057152	-	
6	103 4-1/16"	30,2	130	75	77	2,5	101,5	12,5	M12	221067153	221067251
	110		57	2,5		94	10,5	-	221067152	-	
7	106 4-3/16"	35	148	85	79	3	120	15	M14	221177151	221177252
8	117 4-5/8"	35	148	85	79	3	120	15	M14	221087153	221087251
9	119 4-3/4"	41	178	100	91	3	150	17	M16	221197151	221197251
10	130,5 5-1/8"	41	178	100	93	3	150	17	M16	221107151	221107251

Voir page 57 pour produit alternatif
See page 57 for alternative product

MÂCHOIRES INTÉRIEURES - INNER YOKES



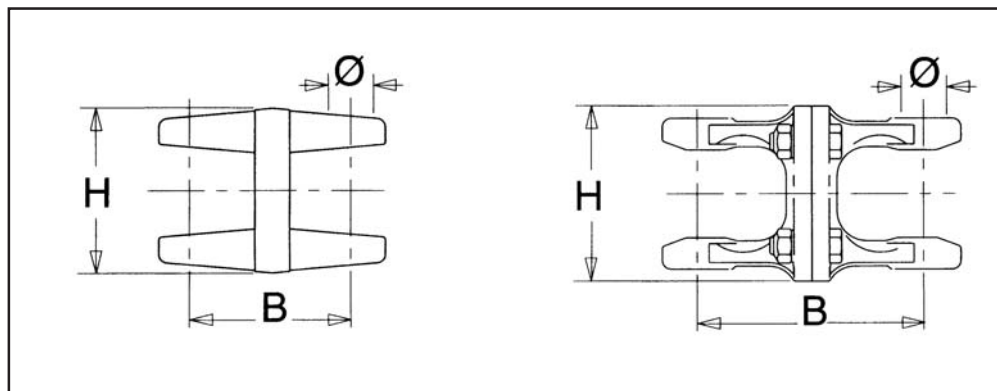
SERIE	H	Ø	B	Pour Tube Ext (Outer)					Pour Tube Int (Inner)				
				A	C	F			A	C	F		
1	63,5	22	78	32,5	47	8			26,5	41	8		
	2-1/2"												
2	70	23,8	82	36	54	8			29	47	8		
	2-3/4"												
3	79,5	27	85	43,5	61	8			36	54	8		
	3-1/8"												
4	84	27	89,5	43,5	61	8			36	54	8		
	3-5/16"												
5	91	30,2	98	51,6	70	10			45	61	10		
	3-9/16"												
6	103	30,2	105	54	76	10			45	67	10		
	4-1/16"												
7	106	35	107	54	76	10			45	67	10		
	4-3/16"												
8	117	35	120	63	88	12			54	76	12		
	4-5/8"												
9	119	41	123	63	88	12			54	76	12		
	4-3/4"												
10	130,5	41	136	66	88	12			54	76	12		
	5-1/8"												



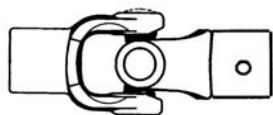
SERIE	H	Ø	B	A	C	F		
1	63,5	22	78	25	41	8		
	2-1/2"			Z = 10				
2	70	23,8	82	25	47	8		
	2-3/4"			Z = 10				
3	79,5	27	85	30	54	8		
	3-1/8"			Z = 10				
4	84	27	89,5	30	54	8		
	3-5/16"			Z = 10				
5	91	30,2	98	35	61	10		
	3-9/16"			Z = 12				
6	103	30,2	105	35	67	10		
	4-1/16"			Z = 12				
7	106	35	107	40	67	10		
	4-3/16"			Z = 14				
8	117	35	120	40	76	12		
	4-5/8"			Z = 14				
9	119	41	123	45	76	12		
	4-3/4"			Z = 16				
10	130,5	41	136	45	76	12		
	5-1/8"			Z = 16				

Voir page 57 pour produit alternatif
 See page 57 for alternative product

JOINT DOUBLE - DOUBLE JOINT

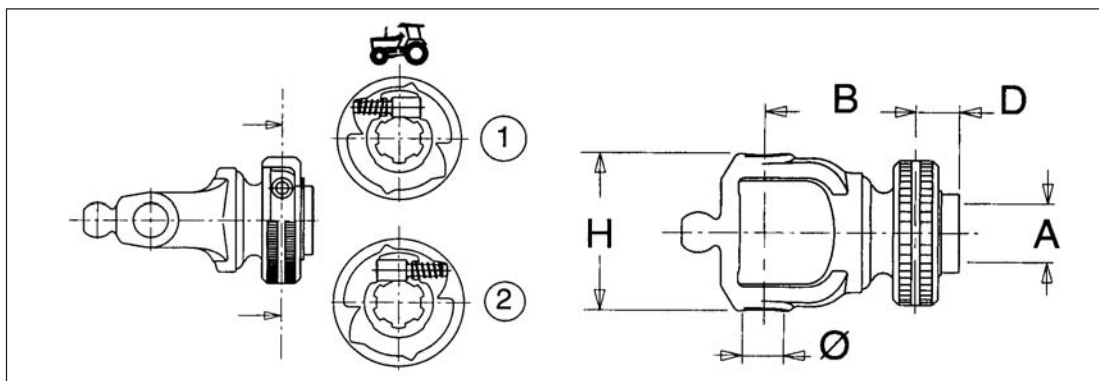


SERIE	H	Ø	B		SERIE	H	Ø	B		
DG1	75	22	68	213010053	GF1	90	22	98	518010051	432000070
	2-15/16"					3-9/16"				
DG2	82	23,8	78	213020053	GF2	90	23,8	108	518020051	432000070
	3-1/4"					3-9/16"				
DG3	90	27	70	213030053	GF3	100	27	118	518030051	432000095
	3-9/16"					3-15/16"				
DG4	96	27	90	213040053	GF4	100	27	128	518040051	432000095
	9-25/32"					3-15/16"				
DG5	103	30,2	106	213050053	GF5	110	30,2	136	518050051	432000095
	4-1/16"					4-5/16"				
DG6	103	30,2	108	212060053	GF6	130	30,2	154	518060051	432000096
	4-1/16"					5-1/8"				
					GF7	148	35	158	518170051	432000097
						5-13/16"				
					GF8	148	35	158	518080051	432000097
						5-13/16"				
					GF9	178	41	182	518190051	432000098
						7"				
					GF10	178	41	186	518100051	432000098
						7"				



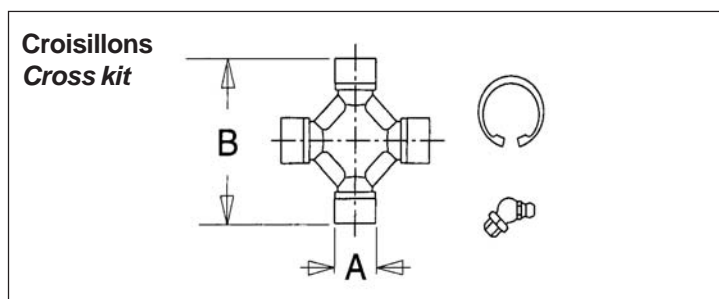
Numéro Number	Description
412490001	Croix de remplacement pour 800300049000061 <i>Replacement cross kit for 800300049000061</i>

MÂCHOIRES EXTÉRIEURES - OUTER YOKES



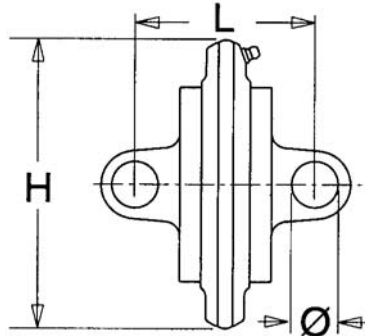
SERIE	H	Ø	B	D	A					
2	69	23.8	76	40	1-3/8" Z6	573020351	240080061	573020361	240000361	403000001
	2-3/4"				1-3/8" Z21					
4	93	23.8	90	40	1-3/8" Z6	573040375	240080061	573040376	240000361	403000001
	3-11/16"				1-3/8" Z21					
				34	1-3/4" Z6	573040475	240040061	573040476	240000461	403000012
	1-3/4" Z20				573043875					
6	109	30.2	99	40	1-3/8" Z6	573060375	240080061	573060376	240000361	403000001
	4-5/16"				1-3/8" Z21					
				34	1-3/4" Z6	573060475	240040061	573060476	240000461	403000012
	1-3/4" Z20				573063875					
8	116	35	107	40	1-3/8" Z6	573080375	240080061	573080376	240000361	403000001
	4-9/16"				1-3/8" Z21					
				34	1-3/4" Z6	573080475	240040061	573080476	240000461	403000013
	1-3/4" Z20				573083875					

Les mâchoires pour la dimension 8 sont fournies de série avec 2 verrous. - *Size 8 yoke supplied with two QD pins.*



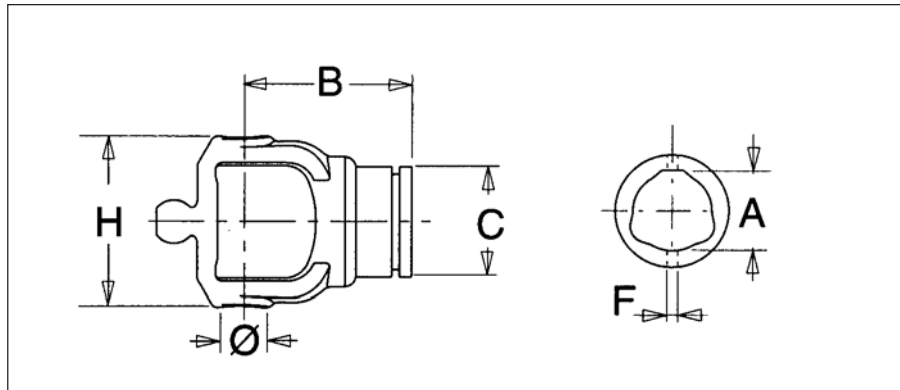
SERIE	A	B			
2	23.8	61.3	41202	338009000	348004000
4	23.8	86	412040012	338009000	348004000
6	30.2	99.4	412060012	338020000	348004000
8	35	106	412080012	338023001	348004000

JOINT GRAND ANGLE - WIDE ANGLE JOINT



SERIE	H	Ø	L	
2	118	23.8	75	512020051
4	153	23.8	96	511040051
6	173	30.2	108	511060051
8	196	35	122	511080051

Mâchoires intérieures - Inner yokes



SERIE	H	Ø	B	A	C	F Ø	208026863		A	B	F Ø	208026864	
2	69 2-3/4"	23.8	81	36	54	8			29	47	8		
4	93 3-11/16"	23.8	95	43.5	61	8			36	54	8		
6	109 4-5/16"	30.2	110.5	54	76	10			45	67	10		
8	116 4-9/16"	35	125.5	63	88	12			54	76	12		