

Competitive (Remanufactured)

Meritor WABCO Style Rear Axle Valve Packs



Features:

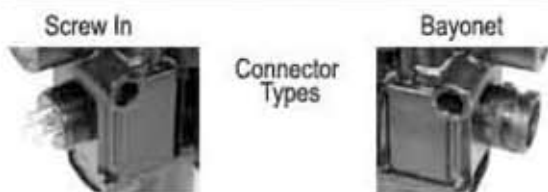
- Combines two ABS modulator valves and one service brake relay valve
- Usually attached to a frame cross-member
- Compatible with C, D and E versions of Meritor WABCO Style ECUs
- For a tandem drive axle, both wheels on the same side are typically controlled by the same valve

Specifications:

Voltage 12
Modulator Valve Ports 1/2" - 14 NPT
Application Truck/Tractor/Bus

Notes:

- 1) Use the following converter cables to switch connector styles:
 Screw to Bayonet **8946011322K**
 Bayonet to Screw **8946011332K**



SKU#	Product Description	Crack Pressure	System Config.	Valve Package Contains	Connector Type	Core Group
4725001000X	Reman. Rear Axle Valve Pack	4 psi	4S/4M	(1) 4721950800X Modulator Valve-Left (1) 4721950810X Modulator Valve-Right (1) 9730110210X Relay Valve 4 psi	Screw In	ABS5
4725001010X	Reman. Rear Axle Valve Pack	5.5 psi	4S/4M	(1) 4721950800X Modulator Valve-Left (1) 4721950810X Modulator Valve-Right (1) 9730110220X Relay Valve 5.5 psi	Screw In	ABS5
4725001020X	Reman. Rear Axle Valve Pack	4 psi	4S/4M 6S/4M	(1) 4721950820X Modulator Valve-Left (1) 4721950830X Modulator Valve-Right (1) 9730110210X Relay Valve 4 psi	Screw In	ABS5
4725001030X	Reman. Rear Axle Valve Pack	5.5 psi	4S/4M 6S/4M	(1) 4721950820X Modulator Valve-Left (1) 4721950830X Modulator Valve-Right (1) 9730110220X Relay Valve 5.5 psi	Screw In	ABS5
4725001200X	Reman. Rear Axle Valve Pack	4 psi	4S/4M	(1) 4721950760X Modulator Valve-Left (1) 4721950770X Modulator Valve-Right (1) 9730110210X Relay Valve 4 psi	Bayonet	ABS5
4725001210X	Reman. Rear Axle Valve Pack	5.5 psi	4S/4M	(1) 4721950760X Modulator Valve-Left (1) 4721950770X Modulator Valve-Right (1) 9730110220X Relay Valve 5.5 psi	Bayonet	ABS5

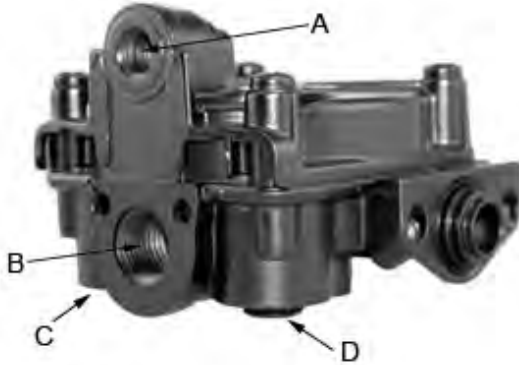
19-VALVES

Tractor ABS Valves

4725001220X	Reman. Rear Axle Valve Pack	4 psi	4S/4M 6S/4M	(1) 4721950780X Modulator Valve-Left (1) 4721950790X Modulator Valve-Right (1) 9730110210X Relay Valve 4 psi	Bayonet	ABS5
4725001230X	Reman. Rear Axle Valve Pack	5.5 psi	4S/4M 6S/4M	(1) 4721950780X Modulator Valve-Left (1) 4721950790X Modulator Valve-Right (1) 9730110220X Relay Valve 5.5 psi	Bayonet	ABS5
4725001240X	Reman. Rear Axle Valve Pack	4 psi	6S/6M	(1) 4721950780X Modulator Valve-Left (1) 4721950790X Modulator Valve-Right (1) 9730110230X Relay Valve 4 psi	Bayonet	ABS5
4725001250X	Reman. Rear Axle Valve Pack	5.5 psi	6S/6M	(1) 4721950780X Modulator Valve-Left (1) 4721950790X Modulator Valve-Right (1) 9730110240X Relay Valve 5.5 psi	Bayonet	ABS5
4725002030X	Reman. Rear Axle Valve Pack with ATC Valve	5.5 psi	4S/4M 6S/4M	(1) 4721950820X Modulator Valve-Left (1) 4721950830X Modulator Valve-Right (1) 9730110260X Relay Valve 5.5 psi (1) 4721707910X ATC Valve	Screw In	ABS5
4725002220X	Reman. Rear Axle Valve Pack with ATC Valve	4 psi	4S/4M 6S/4M	(1) 4721950780X Modulator Valve-Left (1) 4721950790X Modulator Valve-Right (1) 9730110250X Relay Valve 4 psi (1) 4721707970X ATC Valve	Bayonet	ABS5
4725002230X	Reman. Rear Axle Valve Pack with ATC Valve	5.5 psi	4S/4M 6S/4M	(1) 4721950780X Modulator Valve-Left (1) 4721950790X Modulator Valve-Right (1) 9730110260X Relay Valve 5.5 psi (1) 4721707970X ATC Valve	Bayonet	ABS5
4725002240X	Reman. Rear Axle Valve Pack with ATC Valve	4 psi	6S/6M	(1) 4721950780X Modulator Valve-Left (1) 4721950790X Modulator Valve-Right (1) 9730110270X Relay Valve 4 psi (1) 4721707970X ATC Valve	Bayonet	ABS5
4725002250X	Reman. Rear Axle Valve Pack with ATC Valve	5.5 psi	6S/6M	(1) 4721950780X Modulator Valve-Left (1) 4721950790X Modulator Valve-Right (1) 9730110280X Relay Valve 5.5 psi (1) 4721707970X ATC Valve	Bayonet	ABS5

Competitive (Remanufactured)

Meritor WABCO Style Relay Valve for Valve Pack



Specifications:

Application Rear Axle ABS Valve Packs

Notes:

- 1) Each individual valve includes (2) o-rings, (4) mounting bolts and grease pack.

SKU#	Product Description	Crack Pressure	System Configuration	Control (A)	Supply (B)	Delivery (C)	Delivery (D)	Core Group
9730110210X	Reman. Service Brake Relay Valve for Valve Pack	4 psi	4S/4M or 6S/4M	1/4" - 18 NPTF	1/2" - 14 NPTF	3/8" - 18 NPTF	N/A	ABS11
9730110220X	Reman. Service Brake Relay Valve for Valve Pack	5.5 psi	4S/4M or 6S/4M	1/4" - 18 NPTF	1/2" - 14 NPTF	3/8" - 18 NPTF	N/A	ABS11
9730110230X	Reman. Relay Valve for Valve Pack	4 psi	6S/6M	1/4" - 18 NPTF	1/2" - 14 NPTF	3/8" - 18 NPTF	3/8" - 18 NPTF	ABS11
9730110240X	Reman. Service Brake Relay Valve for Valve Pack	5.5 psi	6S/6M	1/4" - 18 NPTF	1/2" - 14 NPTF	3/8" - 18 NPTF	3/8" - 18 NPTF	ABS11
9730110250X	Reman. Service Brake Relay Valve for Valve Pack	4 psi	4S/4M or 6S/4M	non-threaded	non-threaded	3/8" - 18 NPTF	N/A	ABS11
9730110260X	Reman. Service Brake Relay Valve for Valve Pack	5.5 psi	4S/4M or 6S/4M	non-threaded	non-threaded	3/8" - 18 NPTF	N/A	ABS11
9730110270X	Reman. Relay Valve for Valve Pack	4 psi	6S/6M	non-threaded	non-threaded	3/8" - 18 NPTF	3/8" - 18 NPTF	ABS11
9730110280X	Reman. Relay Valve for Valve Pack	5.5 psi	6S/6M	non-threaded	non-threaded	3/8" - 18 NPTF	3/8" - 18 NPTF	ABS11

Competitive (Remanufactured)

Meritor WABCO Style Front Axle Valve Packs



Features:

- Combines two ABS modulator valves and one quick release valve
- Usually attached to a frame cross-member
- Compatible with C, D and E versions of Meritor/WABCO ECUs

Specifications:

Voltage 12
Modulator Valve Ports 1/2" – 14 NPT
Application Truck/Tractor/Bus

Notes:

- 1) Use the following converter cables to switch connector styles:
 Screw to Bayonet **8946011322K**
 Bayonet to Screw **8946011332K**



SKU#	Product Description	Crack Pressure	System Configuration	Valve Package Contains	Connector Type	Core Group
4725003000X	Reman. Front Axle Valve Pack	1 psi	Various	(1) 4721950800X Modulator Valve-Left (1) 4721950810X Modulator Valve-Right (1) 9735001040X Quick Release Valve 1 psi	Screw In	ABS13
4725003010X	Reman. Front Axle Valve Pack	3 – 4 psi	Various	(1) 4721950800X Modulator Valve-Left (1) 4721950810X Modulator Valve-Right (1) 9735001050X Quick Release Valve 3 – 4 psi	Screw In	ABS13
4725003020X	Reman. Front Axle Valve Pack	6 – 8 psi	Various	(1) 4721950800X Modulator Valve-Left (1) 4721950810X Modulator Valve-Right (1) 9735001060X Quick Release Valve 6 – 8 psi	Screw In	ABS13
4725003200X	Reman. Front Axle Valve Pack	1 psi	Various	(1) 4721950760X Modulator Valve-Left (1) 4721950770X Modulator Valve-Right (1) 9735001040X Quick Release Valve 1 psi	Bayonet	ABS13
4725003210X	Reman. Front Axle Valve Pack	3 – 4 psi	Various	(1) 4721950760X Modulator Valve-Left (1) 4721950770X Modulator Valve-Right (1) 9735001050X Quick Release Valve 3 – 4 psi	Bayonet	ABS13
4725003220X	Reman. Front Axle Valve Pack	6 – 8 psi	Various	(1) 4721950760X Modulator Valve-Left (1) 4721950770X Modulator Valve-Right (1) 9735001060X Quick Release Valve 6 – 8 psi	Bayonet	ABS13

Competitive (Remanufactured)

Meritor WABCO Style Quick Release Valve for Valve Pack



Specifications:

Application Front Axle ABS Valve Packs

Notes:

- 1) Each individual valve includes (2) o-rings, (4) mounting bolts and grease pack.

SKU#	Product Description	Crack Pressure	System Configuration	Supply	Core Group
9735001040X	Reman. Quick Release Valve for Valve Pack	1 psi	All Steer Axle Config.	1/2" - 14 NPTF	ABS12
9735001050X	Reman. Quick Release Valve for Valve Pack	3 - 4 psi	All Steer Axle Config.	1/2" - 14 NPTF	ABS12
9735001060X	Reman. Quick Release Valve for Valve Pack	6 - 8 psi	All Steer Axle Config.	1/2" - 14 NPTF	ABS12

Competitive (Remanufactured)

Meritor WABCO Style Modulator Valves



Features:

- Regulates air pressure to each ABS controlled brake
- Compatible with all versions of Meritor WABCO ECUs

Specifications:

Voltage 12
Modulator Valve Ports 1/2" - 14 NPT
Application Truck/Tractor/Bus

Notes:

- 1) Each individual modulator valve includes (1) o-ring, (2) mounting bolts and grease pack.



SKU#	Product Description	System Configuration	Connector Type	Core Group
4721950050X	Reman. Modulator Valve - In Line Style	One Delivery 180° from Supply	Screw In	ABS1
4721950520X	Reman. Modulator Valve - In Line Style	One Delivery 180° from Supply	Bayonet	ABS1
4721950760X	Reman. Modulator Valve - Left	4S/4M	Bayonet	ABS7
4721950770X	Reman. Modulator Valve - Right	4S/4M	Bayonet	ABS7
4721950780X	Reman. Modulator Valve - Left	4S/4M, 6S/4M or 6S/6M	Bayonet	ABS7
4721950790X	Reman. Modulator Valve - Right	4S/4M, 6S/4M or 6S/6M	Bayonet	ABS7
4721950800X	Reman. Modulator Valve - Left	4S/4M	Screw In	ABS7
4721950810X	Reman. Modulator Valve - Right	4S/4M	Screw In	ABS7
4721950820X	Reman. Modulator Valve - Left	4S/4M, 6S/4M or 6S/6M	Screw In	ABS7
4721950830X	Reman. Modulator Valve - Right	4S/4M, 6S/4M or 6S/6M	Screw In	ABS7

Competitive (Remanufactured)

Meritor WABCO Style ATC Valve



Connector Types

Screw In



Bayonet



Specifications:

Voltage 12

SKU#	Product Description	Connector Type	System Configuration	Core Group
4721707910X	Reman. Automatic Traction Control Valve	Screw In	Compatible with Version D & E ECU's	ABS15
4721707970X	Reman. Automatic Traction Control Valve	Bayonet	Compatible with Version D & E ECU's	ABS15