

## Remanufactured Meritor WABCO Style ABS Valves Rear Axle Valve Packs



### Features:

- Combines two ABS modulator valves and one service brake relay valve
- Usually attached to a frame cross-member
- Compatible with C, D and E versions of Meritor WABCO Style ECUs
- For a tandem drive axle, both wheels on the same side are typically controlled by the same valve

### Specifications:

- Voltage: 12V
- Modulator Valve Ports: 1/2" - 14 NPT
- Application: Rear Axle ABS Valve Packs



### Notes:

- 1) Use the following converter cables to switch connector styles:  
Screw-In to Bayonet: 8946011322K  
Bayonet to Screw-In: 8946011332K

Service Part No.	Product Description	Crack Pressure	System Configuration	Valve Package Contents	Connector Type	Core Group
4725001000X	Reman. Rear Axle Valve Pack	4 PSI	4S/4M	(1) 4721950800X Modulator Valve-Left (1) 4721950810X Modulator Valve-Right (1) 9730110210X Relay Valve 4 PSI	Screw-In	ABS5
4725001010X	Reman. Rear Axle Valve Pack	5.5 PSI	4S/4M	(1) 4721950800X Modulator Valve-Left (1) 4721950810X Modulator Valve-Right (1) 9730110220X Relay Valve 5.5 PSI	Screw-In	ABS5
4725001020X	Reman. Rear Axle Valve Pack	4 PSI	4S/4M 6S/4M	(1) 4721950820X Modulator Valve-Left (1) 4721950830X Modulator Valve-Right (1) 9730110210X Relay Valve 4 PSI	Screw-In	ABS5
4725001030X	Reman. Rear Axle Valve Pack	5.5 PSI	4S/4M 6S/4M	(1) 4721950820X Modulator Valve-Left (1) 4721950830X Modulator Valve-Right (1) 9730110220X Relay Valve 5.5 PSI	Screw-In	ABS5
4725001200X	Reman. Rear Axle Valve Pack	4 PSI	4S/4M	(1) 4721950760X Modulator Valve-Left (1) 4721950770X Modulator Valve-Right (1) 9730110210X Relay Valve 4 PSI	Bayonet	ABS5
4725001210X	Reman. Rear Axle Valve Pack	5.5 PSI	4S/4M	(1) 4721950760X Modulator Valve-Left (1) 4721950770X Modulator Valve-Right (1) 9730110220X Relay Valve 5.5 PSI	Bayonet	ABS5
4725001220X	Reman. Rear Axle Valve Pack	4 PSI	4S/4M 6S/4M	(1) 4721950780X Modulator Valve-Left (1) 4721950790X Modulator Valve-Right (1) 9730110210X Relay Valve 4 PSI	Bayonet	ABS5
4725001230X	Reman. Rear Axle Valve Pack	5.5 PSI	4S/4M 6S/4M	(1) 4721950780X Modulator Valve-Left (1) 4721950790X Modulator Valve-Right (1) 9730110220X Relay Valve 5.5 PSI	Bayonet	ABS5

**Remanufactured Meritor WABCO Style ABS Valves  
Rear Axle Valve Packs (cont'd)**

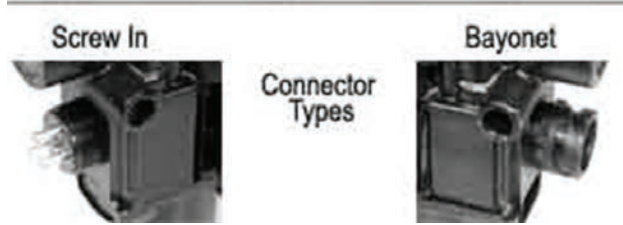
**Features:**

- Combines two ABS modulator valves and one service brake relay valve
- Usually attached to a frame cross-member
- Compatible with C, D and E versions of Meritor WABCO Style ECUs
- For a tandem drive axle, both wheels on the same side are typically controlled by the same valve



**Specifications:**

Voltage: 12V  
 Modulator Valve Ports: 1/2" - 14 NPT  
 Application: Rear Axle ABS Valve Packs

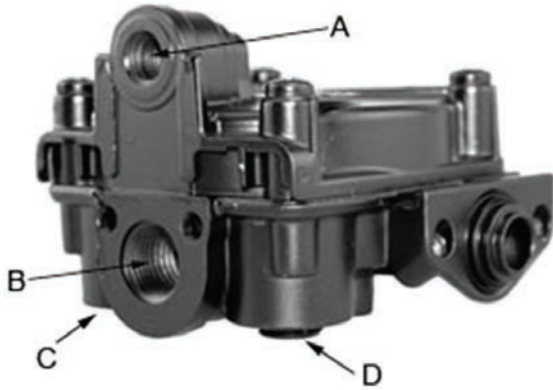


**Notes:**

- 1) Use the following converter cables to switch connector styles:  
 Screw-In to Bayonet: 8946011322K  
 Bayonet to Screw-In: 8946011332K

Service Part No.	Product Description	Crack Pressure	System Configuration	Valve Package Contents	Connector Type	Core Group
4725001240X	Reman. Rear Axle Valve Pack	4 PSI	6S/6M	(1) 4721950780X Modulator Valve-Left (1) 4721950790X Modulator Valve-Right (1) 9730110230X Relay Valve 4 PSI	Bayonet	ABS5
4725001250X	Reman. Rear Axle Valve Pack	5.5 PSI	6S/6M	(1) 4721950820X Modulator Valve-Left (1) 4721950830X Modulator Valve-Right (1) 9730110260X Relay Valve 5.5 PSI	Bayonet	ABS5
4725002030X	Reman. Rear Axle Valve Pack with ATC Valve	5.5 PSI	4S/4M 6S/4M	(1) 4721950800X Modulator Valve-Left (1) 4721950810X Modulator Valve-Right (1) 9730110220X Relay Valve 5.5 PSI (1) 4721707910X ATC Valve	Screw-In	ABS5
4725002220X	Reman. Rear Axle Valve Pack with ATC Valve	4 PSI	4S/4M 6S/4M	(1) 4721950780X Modulator Valve-Left (1) 4721950790X Modulator Valve-Right (1) 9730110250X Relay Valve 4 PSI (1) 4721707970X ATC Valve	Bayonet	ABS5
4725002230X	Reman. Rear Axle Valve Pack with ATC Valve	5.5 PSI	4S/4M 6S/4M	(1) 4721950780X Modulator Valve-Left (1) 4721950790X Modulator Valve-Right (1) 9730110260X Relay Valve 5.5 PSI (1) 4721707970X ATC Valve	Bayonet	ABS5
4725002240X	Reman. Rear Axle Valve Pack with ATC Valve	4 PSI	6S/6MM	(1) 4721950780X Modulator Valve-Left (1) 4721950790X Modulator Valve-Right (1) 9730110270X Relay Valve 4 PSI (1) 4721707970X ATC Valve	Bayonet	ABS5
4725002250X	Reman. Rear Axle Valve Pack with ATC Valve	5.5 PSI	6S/6M	(1) 4721950780X Modulator Valve-Left (1) 4721950790X Modulator Valve-Right (1) 9730110280X Relay Valve 5.5 PSI (1) 4721707970X ATC Valve	Bayonet	ABS5

## Remanufactured Meritor WABCO Style ABS Valves Relay Valve for Valve Packs



### Specifications:

Application: Rear Axle ABS Valve Packs

### Notes:

- 1) Each individual valve includes (2) o-rings, (4) mounting bolts and grease pack.

Service Part No.	Product Description	Crack Pressure	System Config.	Control (A)	Supply (B)	Delivery (C)	Delivery (D)	Core Group
9730110210X	Reman. Relay Valve for Valve Pack - Service	4 PSI	4S/4M or 6S/4M	1/4" - 18 NPTF	1/2" - 14 NPTF	3/8" - 18 NPTF	N/A	ABS11
9730110220X	Reman. Relay Valve for Valve Pack - Service	5.5 PSI	4S/4M or 6S/4M	1/4" - 18 NPTF	1/2" - 14 NPTF	3/8" - 18 NPTF	N/A	ABS11
9730110230X	Reman. Relay Valve for Valve Pack	4 PSI	6S/6M	1/4" - 18 NPTF	1/2" - 14 NPTF	3/8" - 18 NPTF	3/8" - 18 NPTF	ABS11
9730110240X	Reman. Relay Valve for Valve Pack - Service	5.5 PSI	6S/6M	1/4" - 18 NPTF	1/2" - 14 NPTF	3/8" - 18 NPTF	3/8" - 18 NPTF	ABS11
9730110250X	Reman. Relay Valve for Valve Pack - Service	4 PSI	4S/4M or 6S/4M	non-threaded	non-threaded	3/8" - 18 NPTF	N/A	ABS11
9730110260X	Reman. Relay Valve for Valve Pack - Service	5.5 PSI	4S/4M or 6S/4M	non-threaded	non-threaded	3/8" - 18 NPTF	N/A	ABS11
9730110270X	Reman. Relay Valve for Valve Pack	4 PSI	6S/6M	non-threaded	non-threaded	3/8" - 18 NPTF	3/8" - 18 NPTF	ABS11
9730110280X	Reman. Relay Valve for Valve Pack	5.5 PSI	6S/6M	non-threaded	non-threaded	3/8" - 18 NPTF	3/8" - 18 NPTF	ABS11

**Remanufactured Meritor WABCO Style ABS Valves  
Front Axle Valve Packs**

**Features:**

- Combines two ABS modulator valves and one quick release valve
- Usually attached to a frame cross-member
- Compatible with C, D and E versions of Meritor WABCO Style ECUs



**Specifications:**

Voltage: 12V  
 Modulator 1/2" - 14 NPT  
 Valve Ports:  
 Application: Front Axle ABS Valve Packs

**Notes:**

- 1) Use the following converter cables to switch connector styles:  
 Screw-In to Bayonet: 8946011322K  
 Bayonet to Screw-In: 8946011332K



Service Part No.	Product Description	Crack Pressure	System Configuration	Valve Package Contents	Connector Type	Core Group
4725003000X	Reman. Front Axle Valve Pack	1 PSI	Various	(1) 4721950800X Modulator Valve-Left (1) 4721950810X Modulator Valve-Right (1) 9735001040X Quick Release Valve 1 PSI	Screw-In	ABS13
4725003010X	Reman. Front Axle Valve Pack	3-4 PSI	Various	(1) 4721950800X Modulator Valve-Left (1) 4721950810X Modulator Valve-Right (1) 9735001050X Quick Release Valve 3-4 PSI	Screw-In	ABS13
4725003020X	Reman. Front Axle Valve Pack	6-8 PSI	Various	(1) 4721950800X Modulator Valve-Left (1) 4721950810X Modulator Valve-Right (1) 9735001060X Quick Release Valve 6-8 PSI	Screw-In	ABS13
4725003200X	Reman. Front Axle Valve Pack	1 PSI	Various	(1) 4721950760X Modulator Valve-Left (1) 4721950770X Modulator Valve-Right (1) 9735001040X Quick Release Valve 1 PSI	Bayonet	ABS13
4725003210X	Reman. Front Axle Valve Pack	3-4 PSI	Various	(1) 4721950760X Modulator Valve-Left (1) 4721950770X Modulator Valve-Right (1) 9735001050X Quick Release Valve 3-4 PSI	Bayonet	ABS13
4725003220X	Reman. Front Axle Valve Pack	6-8 PSI	Various	(1) 4721950760X Modulator Valve-Left (1) 4721950770X Modulator Valve-Right (1) 9735001060X Quick Release Valve 6-8 PSI	Bayonet	ABS13

## Remanufactured Meritor WABCO Style ABS Valves Quick Release Valve for Valve Pack



**Specifications:**

Application: Front Axle ABS Valve Packs

**Notes:**

- 1) Each individual valve includes (2) o-rings, (4) mounting bolts and grease pack.

Service Part No.	Product Description	Crack Pressure	System Configuration	Supply	Core Group
9735001040X	Reman. Quick Release Valve for Valve Pack	1 PSI	All Steer Axle Configuration	1/2" - 14 NPTF	ABS12
9735001050X	Reman. Quick Release Valve for Valve Pack	3-4 PSI	All Steer Axle Configuration	1/2" - 14 NPTF	ABS12
9735001060X	Reman. Quick Release Valve for Valve Pack	6-8 PSI	All Steer Axle Configuration	1/2" - 14 NPTF	ABS12

## Remanufactured Meritor WABCO Style ABS Valves Automatic Traction Control (ATC) Valve



**Specifications:**

Voltage: 12V  
Application: Rear Axle ABS Valve Packs

Service Part No.	Product Description	Connector Type	System Configuration	Core Group
4721707910X	Reman. Automatic Traction Control Valve	Screw-In	Compatible with Version D & E ECU's	ABS15
4721707970X	Reman. Automatic Traction Control Valve	Bayonet	Compatible with Version D & E ECU's	ABS15

**Remanufactured Meritor WABCO Style ABS Valves  
Modulator Valves**

**Features:**

- Regulates air pressure to each ABS controlled brake
- Compatible with all versions of Meritor WABCO Style ECUs

**Specifications:**

Voltage: 12V  
 Modulator Valve Ports: 1/2" - 14 NPT  
 Application: Truck/Tractor/Bus



**Notes:**

- 1) Each individual modulator valve includes (1) o-ring, (2) mounting bolts and grease pack.



Service Part No.	Product Description	Connector Type	System Configuration	Core Group
4721950050X	Reman. Modulator Valve - In Line Style	Screw-In	One Delivery 180° from Supply	ABS1
4721950520X	Reman. Modulator Valve - In Line Style	Bayonet	One Delivery 180° from Supply	ABS1
4721950760X	Reman. Modulator Valve - Left	Bayonet	4S/4M	ABS7
4721950770X	Reman. Modulator Valve - Right	Bayonet	4S/4M	ABS7
4721950780X	Reman. Modulator Valve - Left	Bayonet	4S/4M, 6S/4M, 6S/6M	ABS7
4721950790X	Reman. Modulator Valve - Right	Bayonet	4S/4M, 6S/4M, 6S/6M	ABS7
4721950800X	Reman. Modulator Valve - Left	Screw-In	4S/4M	ABS7
4721950810X	Reman. Modulator Valve - Right	Screw-In	4S/4M	ABS7
4721950820X	Reman. Modulator Valve - Left	Screw-In	4S/4M, 6S/4M, 6S/6M	ABS7
4721950830X	Reman. Modulator Valve - Right	Screw-In	4S/4M, 6S/4M, 6S/6M	ABS7