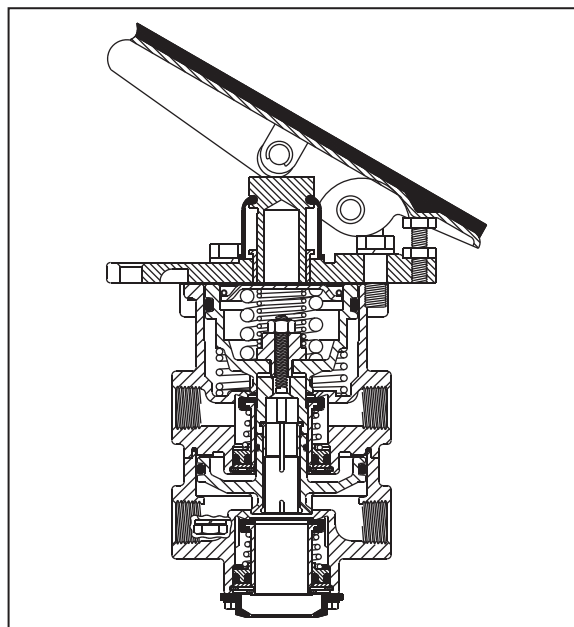
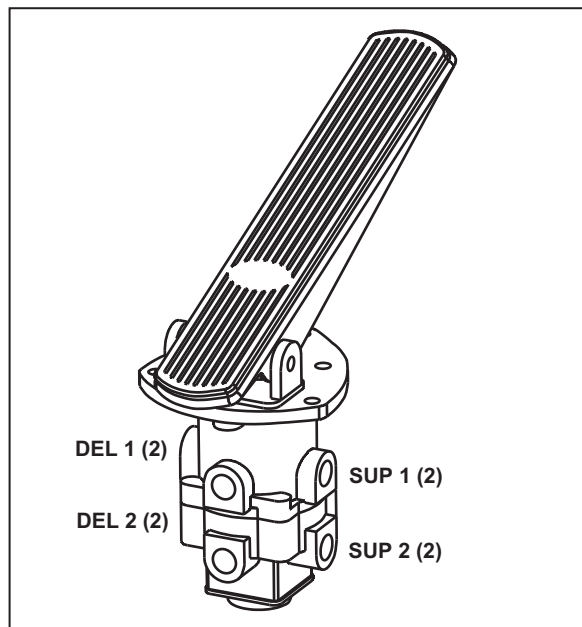


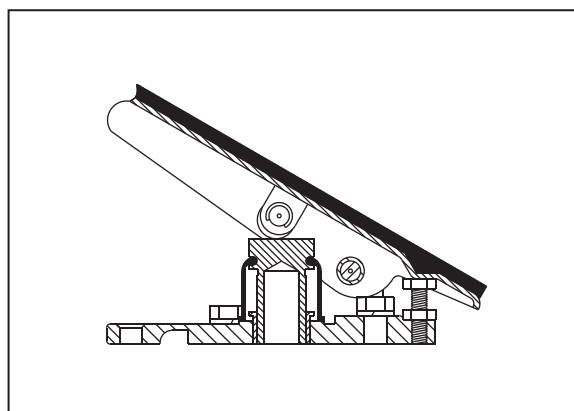
# MISCELLANEOUS VALVES

## Foot Valves – Dual Circuit



### INFORMATION:

- Dual circuit foot valves contain two separate supply & delivery circuits allowing service brakes to remain operational on one or more tractor axle(s) & trailer axles if one reservoir fails
- Line for line replacement for Bendix E-6 No. 286171 or Midland Nos. KN22140 & KN22150
- **PLUG UNIT ASSEMBLY 110290**
- **MAJOR REPAIR KIT 110297**

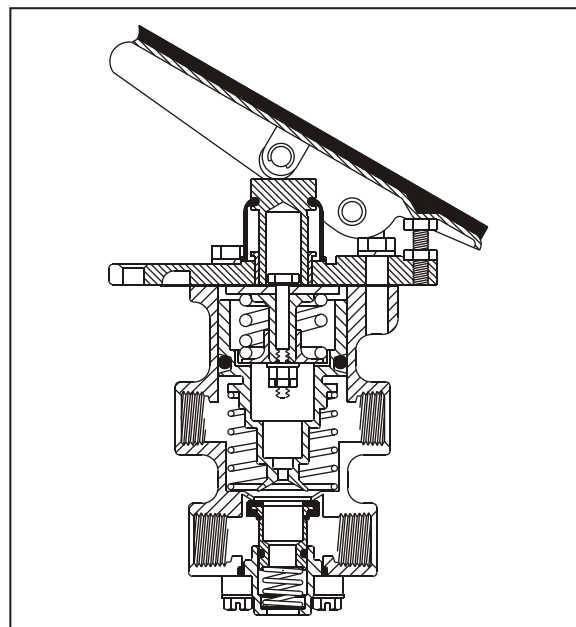
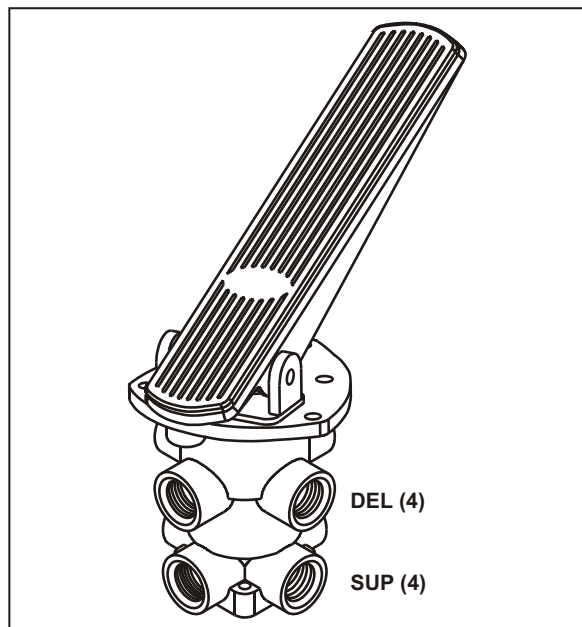


**6125-7 Treadle Base Assembly**  
Used on both dual & single circuit valves

| PART NUMBER | PORT SIZES (NPT) |              |                |                | TREADLE BASE ASSEMBLY | TREADLE ANGLE |
|-------------|------------------|--------------|----------------|----------------|-----------------------|---------------|
|             | Supply 1 (2)     | Supply 2 (2) | Delivery 1 (2) | Delivery 2 (2) |                       |               |
| 110400      | 3/8"             | 3/8"         | 3/8"           | 3/8"           | None                  | -             |
| 110425      | 3/8"             | 3/8"         | 3/8"           | 3/8"           | 6125-7                | 25°           |
| 110430      | 3/8"             | 3/8"         | 3/8"           | 3/8"           | 6125-7                | 30°           |
| 110435      | 3/8"             | 3/8"         | 3/8"           | 3/8"           | 6125-7                | 35°           |
| 110440      | 3/8"             | 3/8"         | 3/8"           | 3/8"           | 6125-7                | 40°           |
| 110445      | 3/8"             | 3/8"         | 3/8"           | 3/8"           | 6125-7                | 45°           |

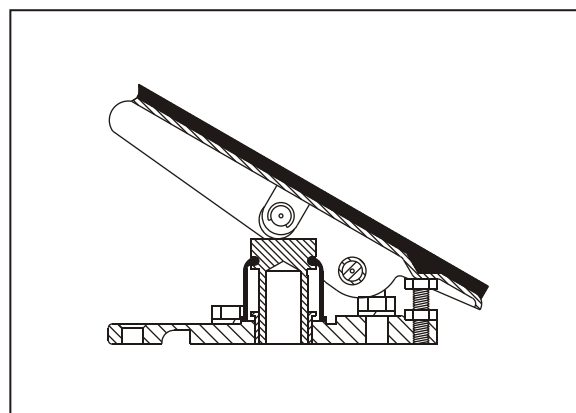
# MISCELLANEOUS VALVES

## Foot Valves – Single Circuit



### INFORMATION:

- Used to apply & release service brakes of tractor, truck & trailer
- **PLUG UNIT ASSEMBLY 6125-5**
- **MINOR REPAIR KIT 912-5**



**6125-7 Treadle Base Assembly**  
Used on both dual & single circuit valves

| PART NUMBER | PORT SIZES (NPT) |              | TREADLE BASE ASSEMBLY | TREADLE ANGLE |
|-------------|------------------|--------------|-----------------------|---------------|
|             | Supply (4)       | Delivery (4) |                       |               |
| 6125        | 1/2"             | 1/2"         | 6125-7                | 30°           |
| 6125-2      | 1/2"             | 1/2"         | None                  | –             |
| 6125-25     | 1/2"             | 1/2"         | 6125-7                | 25°           |
| 6125-35     | 1/2"             | 1/2"         | 6125-7                | 35°           |
| 6125-40     | 1/2"             | 1/2"         | 6125-7                | 40°           |
| 6125-45     | 1/2"             | 1/2"         | 6125-7                | 45°           |