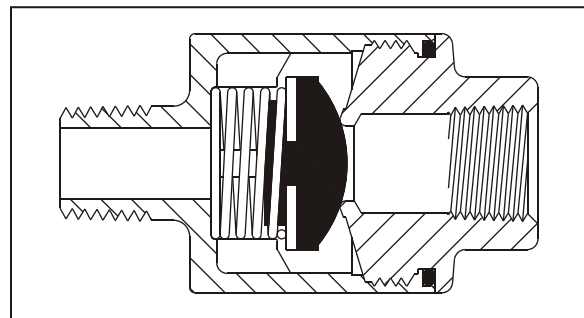
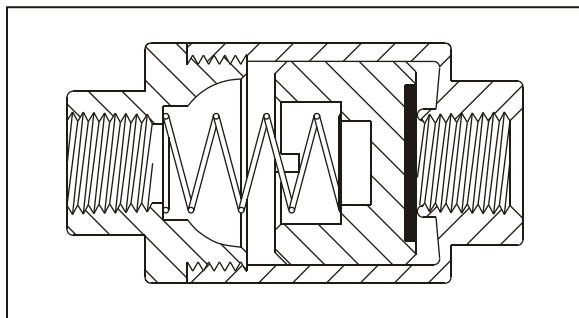
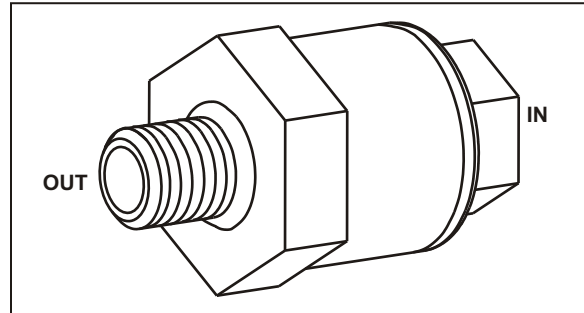
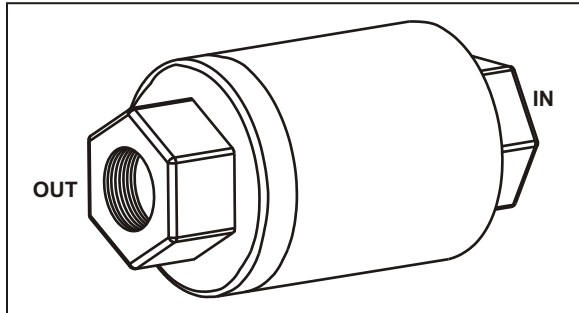


CHECK VALVES

One - Way Check Valves



2200 Series

10200 Series

INFORMATION:

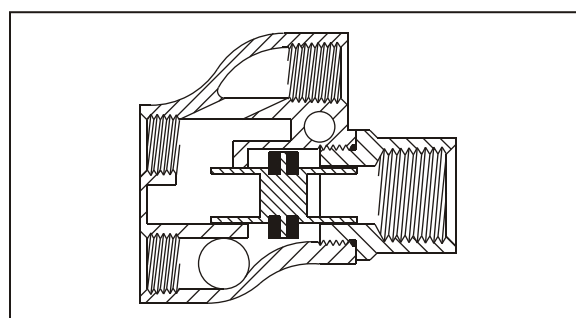
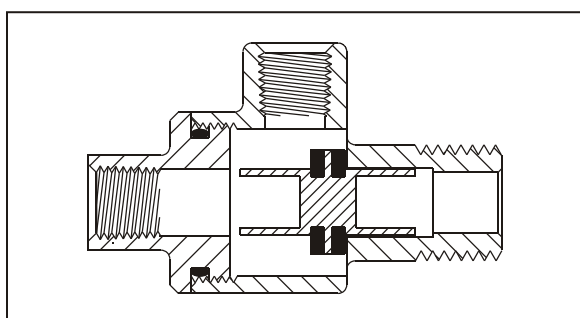
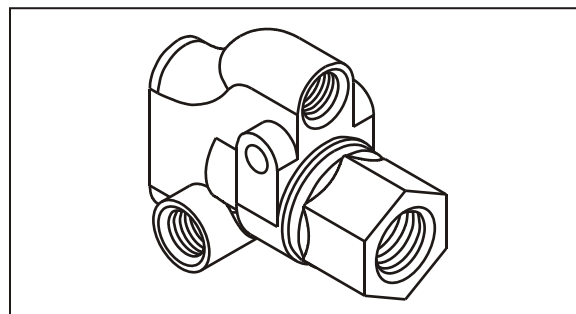
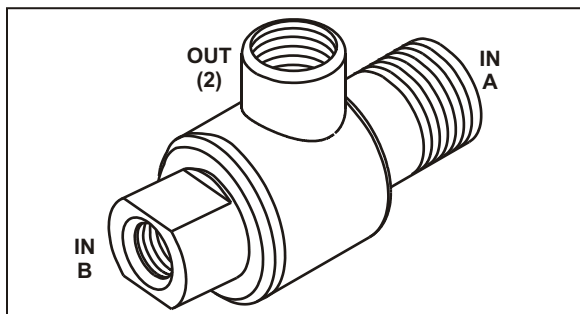
- Commonly used ahead of and in between air reservoirs
- Allows air to flow through the valve in only one direction from inlet to outlet
- When loss of inlet pressure occurs, prevents air from flowing back through valve
- Piping examples on pages 72 & 73

PART NUMBER	PORT SIZES (NPT)	
	Inlet	Outlet
2200 1/4	1/4"	1/4"
2200 1/2	1/2"	1/2"
2200 3/4	3/4"	3/4"

PART NUMBER	PORT SIZES (NPT)	
	Inlet	Outlet
10200 3/8	3/8"	3/8"
10200 1/2	1/2"	1/2"
10200 3/4	3/4"	3/4"
102001	3/4"	1/2"
102002	1/2"	3/4"

CHECK VALVES

Two - Way Check Valves



3200 Series

5200

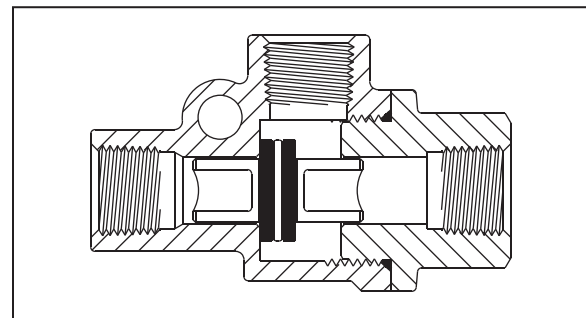
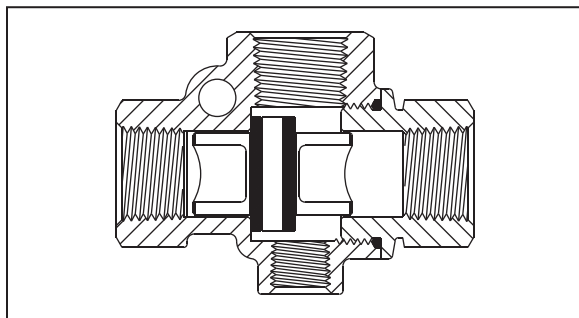
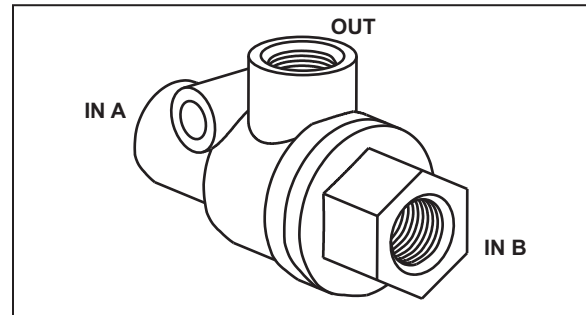
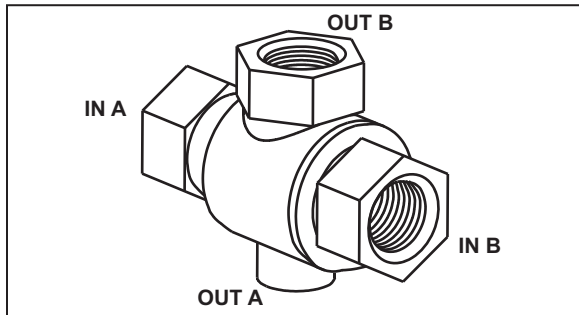
INFORMATION:

- 3200 Series commonly used between Foot Valves & Hand Valves
- 5200 commonly used between supply air reservoirs that are merged together or between Foot Valve Delivery 1 and Delivery 2 lines to the trailer
- Allows air to flow through to outlet port
- **REPAIR KIT 32-5** for 3200 Series
- **REPAIR KIT 52-5** for 5200

PART NUMBER	PORT SIZES (NPT)				
	Inlet A	Inlet B	Inlet C	Outlet A	Outlet B
3200	1/4"	1/2"	-	1/4"	1/4"
3200 1/4	1/4"	1/4"	-	1/4"	1/4"
5200	1/4"	1/4"	1/2"	1/4"	1/4"

CHECK VALVES

Two - Way Check Valves



7200

320100

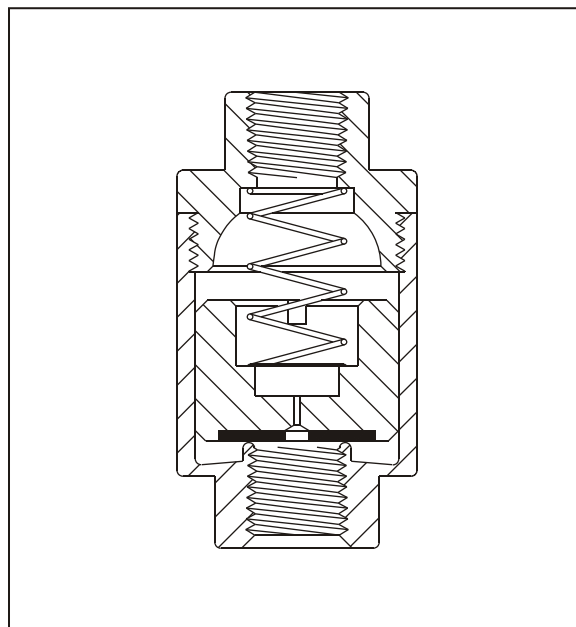
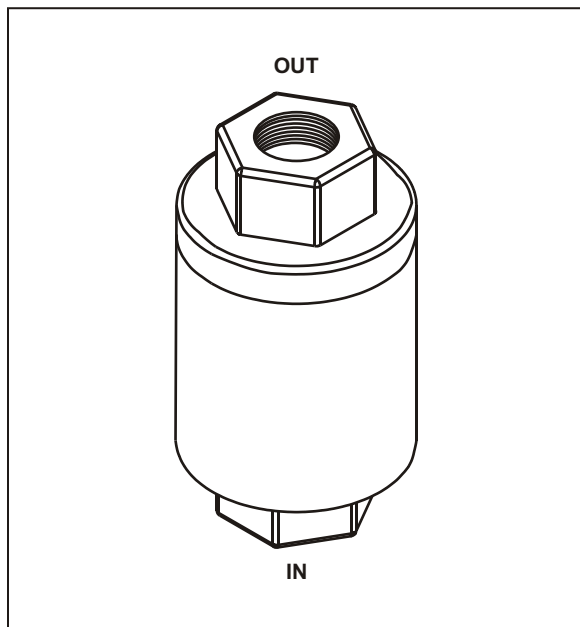
INFORMATION:

- Commonly used between supply air reservoirs that are merged together or between Foot Valves Delivery 1 and Delivery 2 lines to the trailer
- Allows air to flow through to outlet port
- **REPAIR KIT 72-5** for 7200
- **REPAIR KIT 320105** for 320100

PART NUMBER	PORT SIZES (NPT)			
	Inlet A	Inlet B	Outlet A	Outlet B
7200	1/2"	1/2"	1/4"	1/2"
320100	3/8"	3/8"	3/8"	-

MISCELLANEOUS VALVES

Bypass Check Valves



INFORMATION:

- Part number 110183 is commonly used to control the lowering of the drawbar in transfer trailer applications
- Bypass check valves will not replace standard check valves

PART NUMBER	PORT SIZE (NPT)	LENGTH	DIAMETER	ORIFICE SIZE
110183	1/4"	2 3/8"	1 1/4"	.028
220000	3/4"	3 3/8"	1 1/2"	.030
220100	1/4"	2 3/8"	1 1/4"	.062