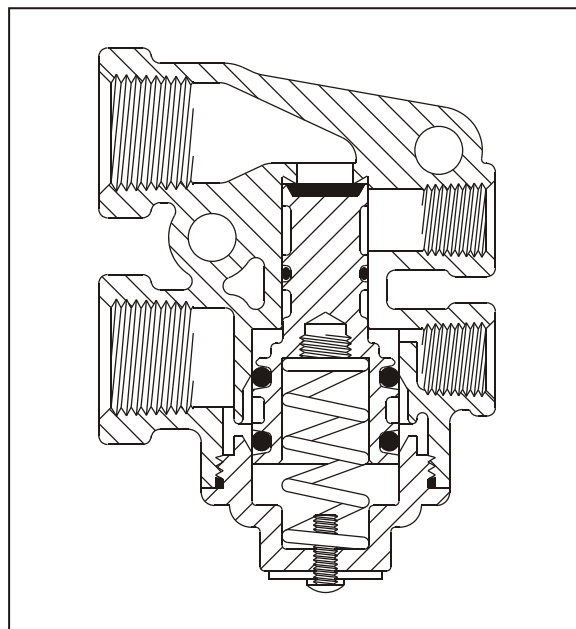
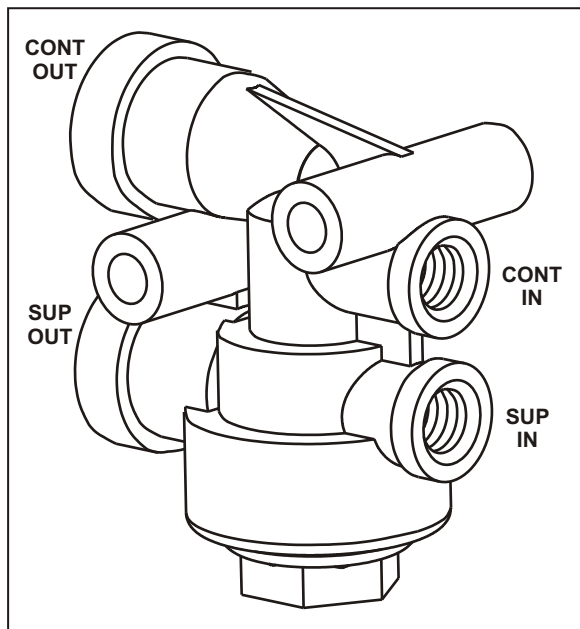


MISCELLANEOUS VALVES

Breakaway Valve – Tractor Protection Valve



INFORMATION:

- Prevents the loss of tractor brakes in the event of a trailer breakaway
- Automatically applies between 45 psi and 20 psi
- **REPAIR KIT 77-5**

PART NUMBER	PORT SIZES (NPT)			
	Supply In	Supply Out	Control In	Control Out
7700	1/4"	1/2"	1/4"	1/2"