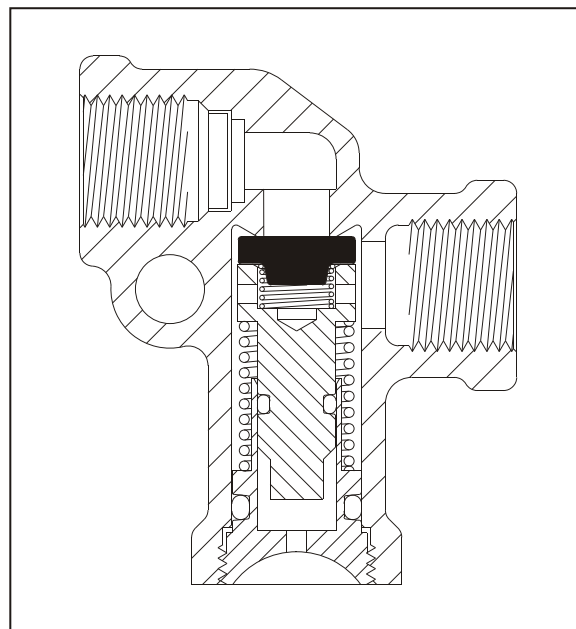
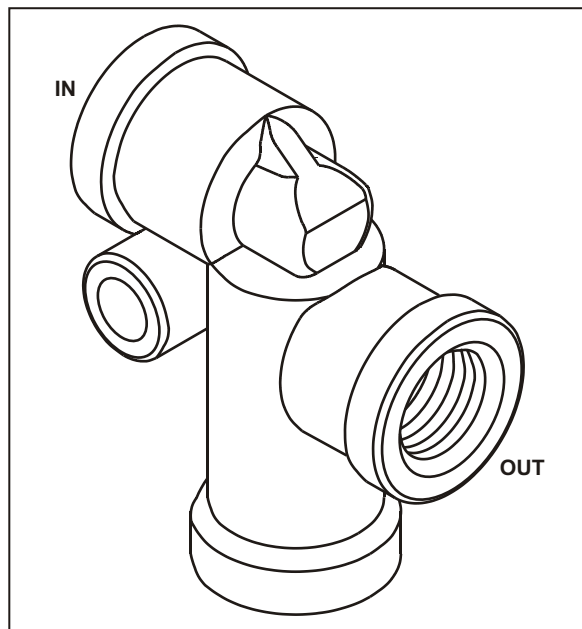


PRESSURE PROTECTION VALVES

Pressure Protection Valves



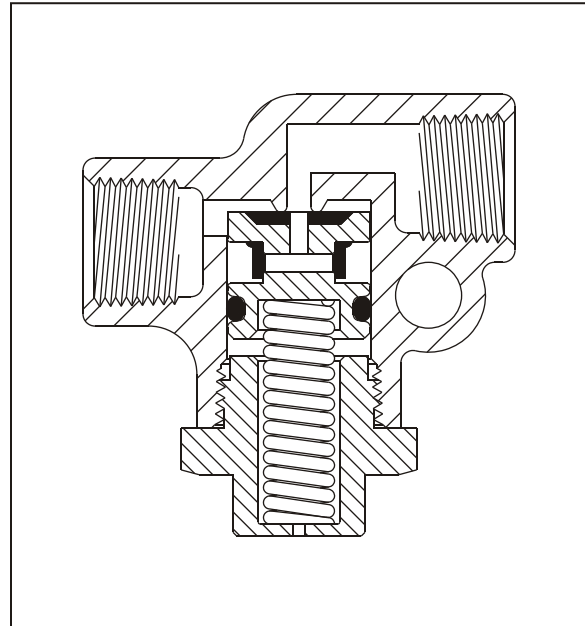
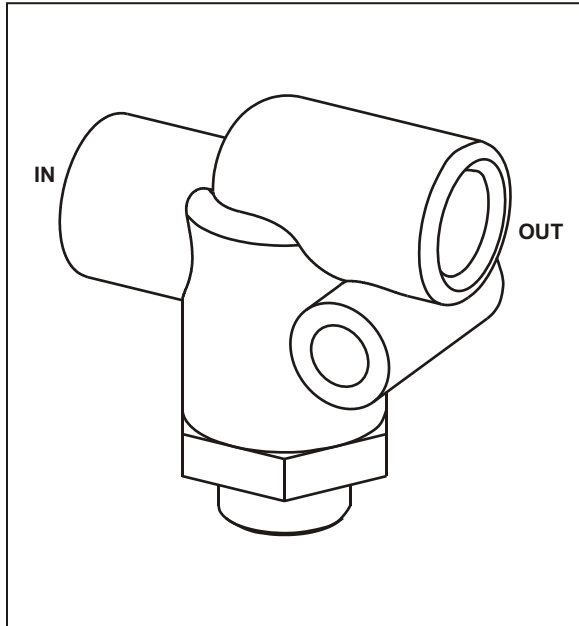
INFORMATION:

- Commonly used to protect air brake reservoirs from being depleted by the failure of other air accessory items
- Valves close at the nominal psi indicated below
- Valves include an internal filter & positive one-way check valve
- Piping examples on pages 71, 74, 75 & 76
- **REPAIR KITS** see below

PART NUMBER	PORT SIZES (NPT)		NOMINAL CLOSING PRESSURE	REPAIR KIT
	Inlet	Outlet		
140200	3/8"	3/8"	50 psi	140201
140270	3/8"	3/8"	60 psi	140271
140280	3/8"	3/8"	70 psi	140281
140290	3/8"	3/8"	80 psi	140291
140300	1/4"	1/4"	50 psi	140201
140370	1/4"	1/4"	60 psi	140271
140380	1/4"	1/4"	70 psi	140281
140390	1/4"	1/4"	80 psi	140291

PRESSURE PROTECTION VALVES

Emergency Brake Valve Pressure Protection Valve



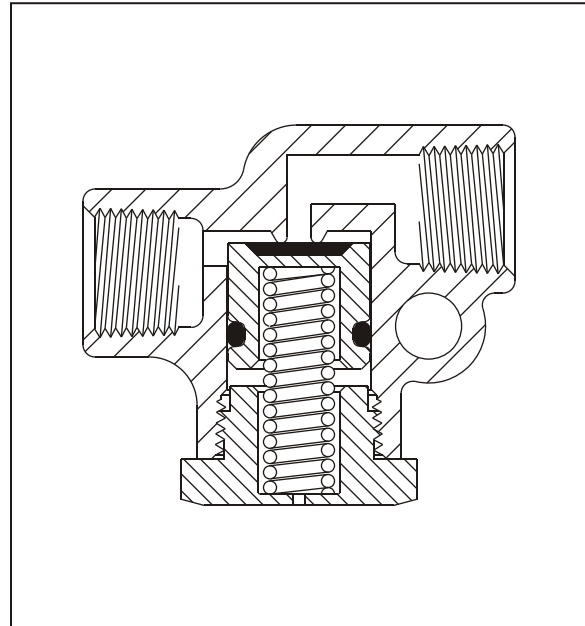
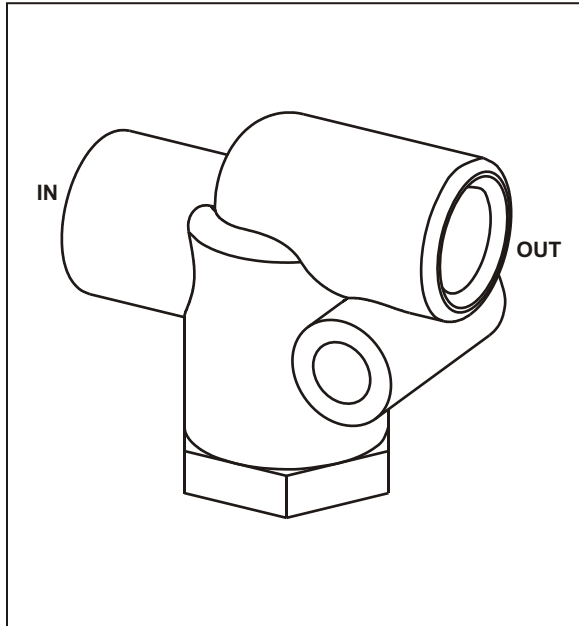
INFORMATION:

- Commonly used on converter dollies, turnable axles and air lift axles with service brake chambers
- Used in conjunction with 110338 Relay Emergency Valve and 110376 Emergency Control Valve
- Contains internal Check Valve which allows full reservoir pressure to be applied to Relay Valve
- Complies with all changes to FMVSS 121, Docket 90-3 effective 10-8-92
- Piping examples on page 73

PART NUMBER	PORT SIZES (NPT)		NOMINAL CLOSING PRESSURE
	Inlet	Outlet	
110257	3/8"	3/8"	70 psi

PRESSURE PROTECTION VALVES

Pressure Protection Valves



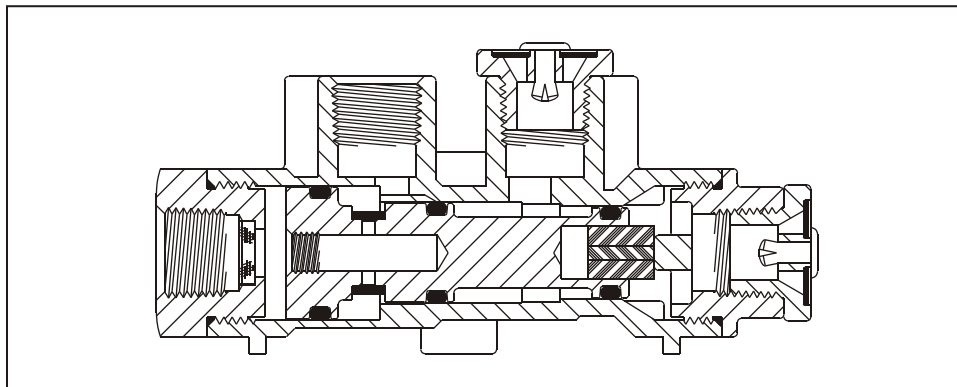
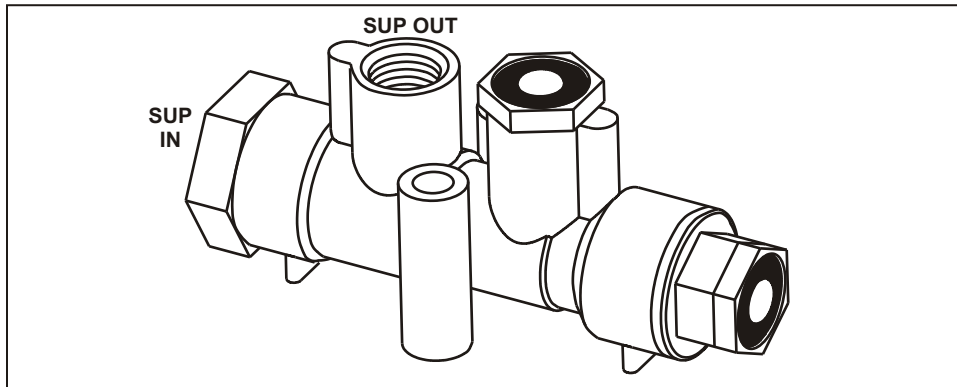
INFORMATION:

- Commonly used to protect air brake reservoirs from being depleted by the failure of other air accessory items
- Valves open at a factory set psi & allow air to flow through to the Outlet Port
- Valves close at the nominal psi indicated below

PART NUMBER	PORT SIZES (NPT)		NOMINAL CLOSING PRESSURE
	Inlet	Outlet	
110258	3/8"	3/8"	90 psi
110657	3/8"	3/8"	70 psi

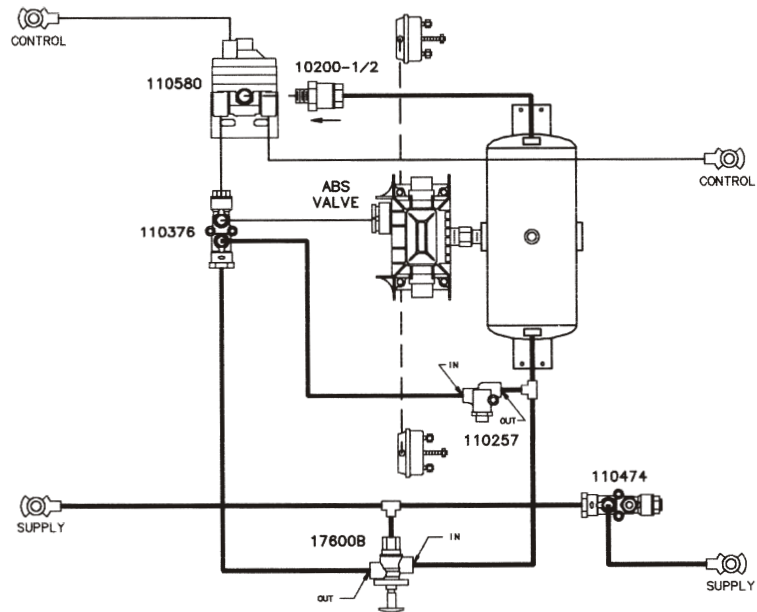
MISCELLANEOUS VALVES

Anti Back Charge Valve



INFORMATION:

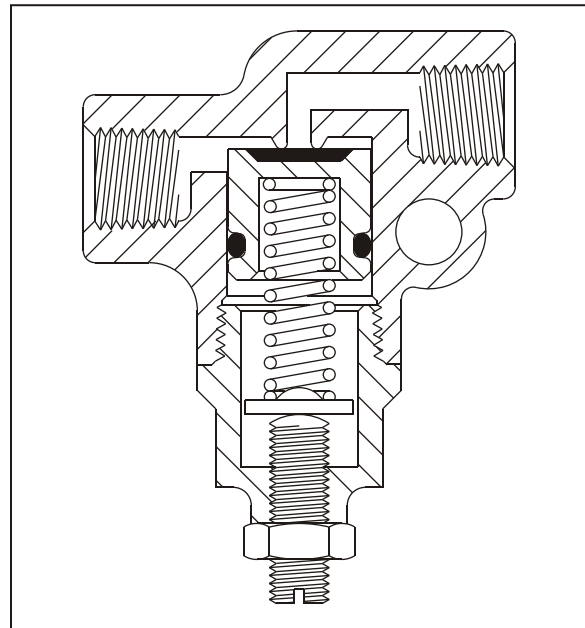
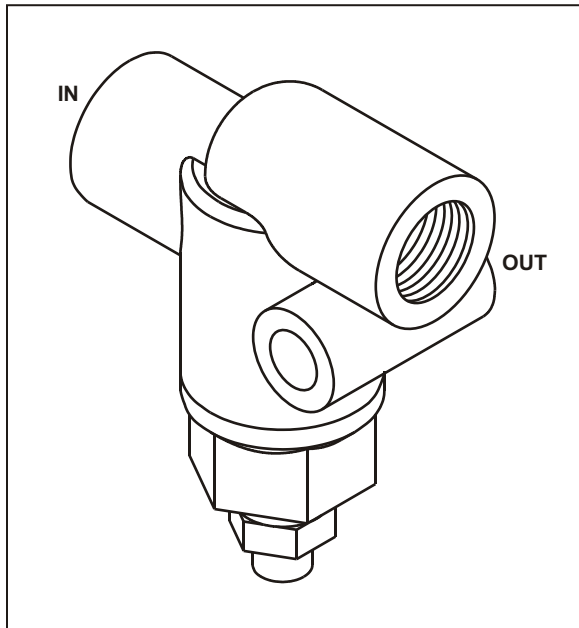
- Commonly used with shut-off cocks on dollies and trailers designed to tow another trailer
- Prevents anti back charge if supply line shut-off cock on lead trailer is closed



PART NUMBER	PORT SIZES (NPT)	
	Supply In	Supply Out
110474	3/8"	3/8"

PRESSURE PROTECTION VALVES

Adjustable Pressure Protection Valves



INFORMATION:

- Commonly used to protect air brake reservoirs from being depleted by the failure of other air accessory items
- Valves open at a factory set psi & allow air to flow through to the Outlet Port
- Valves close at the nominal psi indicated below

PART NUMBER	PORT SIZES (NPT)		NOMINAL CLOSING SETTING	ADJUSTABLE CLOSING	
	Inlet	Outlet		Minimum	Maximum
1300	1/4"	1/4"	60 psi	20 psi	70 psi
1300-45	1/4"	1/4"	45 psi	20 psi	70 psi
1300-80	1/4"	1/4"	80 psi	20 psi	85 psi