

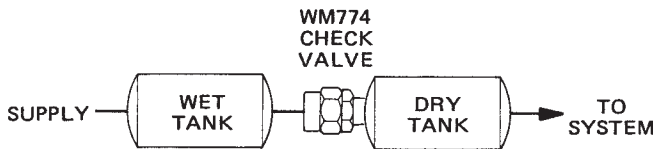
PRODUCT DESCRIPTION

DESCRIPTION The WM774A is a lightweight aluminum check valve engineered for industrial and vehicular applications which operate with a moderate air flow rate. WM774A valves can be installed directly into air reservoirs or mounted in-line.

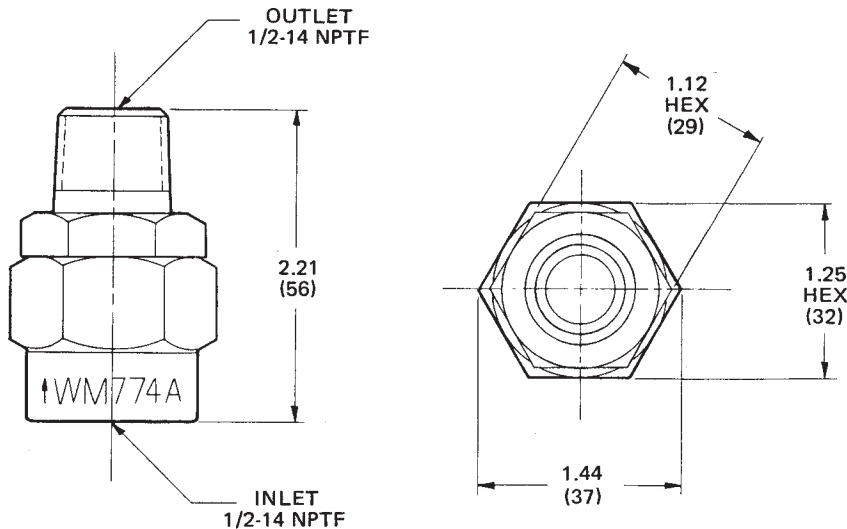
OPERATION The WM774A check valve allows air flow from the inlet to the outlet, with minimum restriction, as long as air pressure is greater at the inlet than at the outlet. When inlet pressure falls below outlet pressure, a spring-loaded stainless steel poppet seats on an elastomer-bonded metal ring to seal off the inlet port and prevent reverse flow.

APPLICATION WM774A series check valves are used to protect downstream pneumatic circuits from pressure loss due to upstream pressure depletion. The male threading on the WM774A outlet port makes this check valve ideal for installation directly into air reservoir inlets to maintain pressure in the event of negative fluctuations in supply pressure. Note: A check valve should not be installed directly downstream from a compressor without the use of a pulse-isolating reservoir.

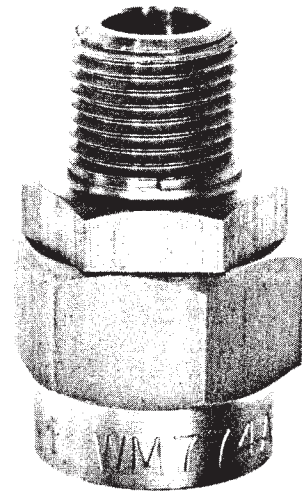
TYPICAL INSTALLATION



EXTERNAL CONFIGURATION

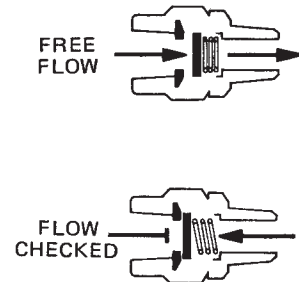


**WM774
SERIES**

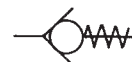


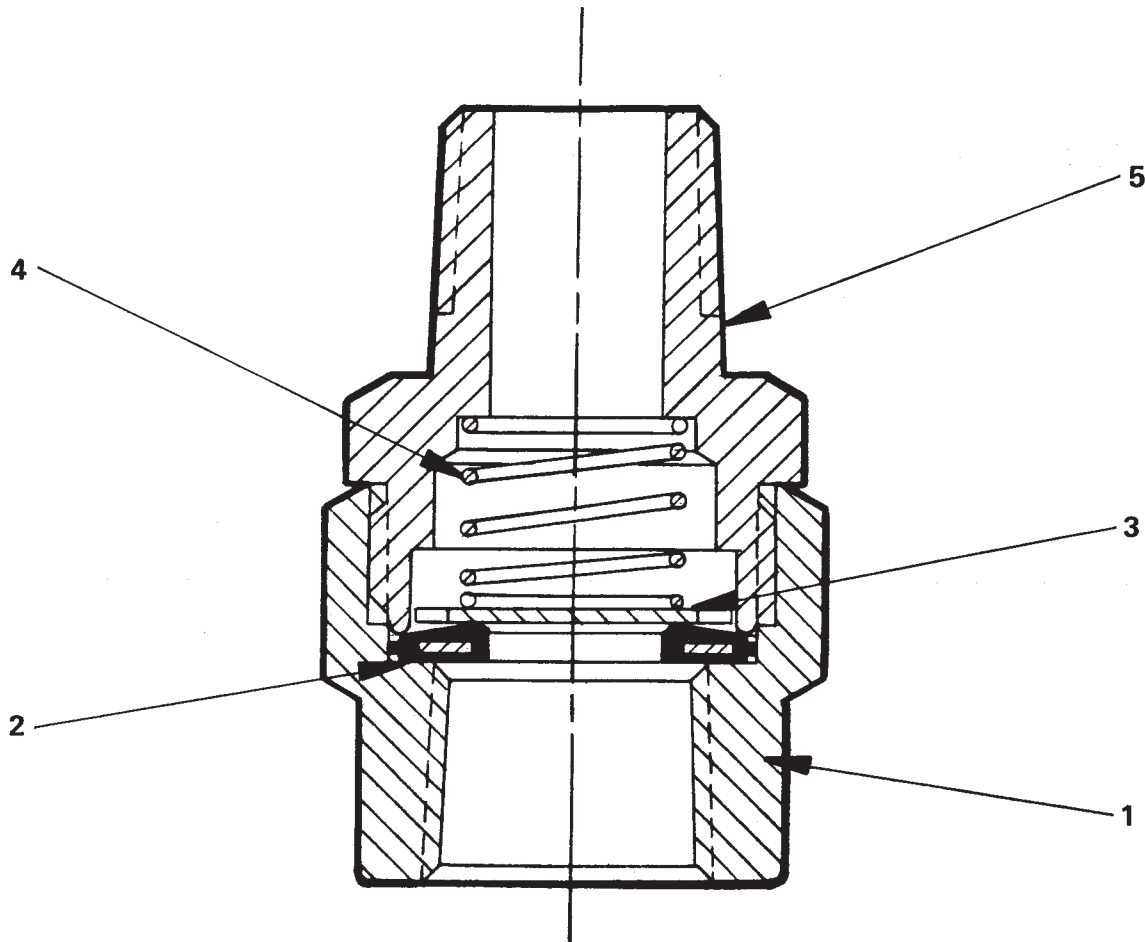
**1/2 INCH
CHECK
VALVE**

FUNCTIONAL DIAGRAM



I.S.O. SYMBOL





SPECIFICATIONS

PORT SIZE: Inlet 1/2-14 NPTF (female)
 Outlet 1/2-14 NPTF (male)
 MAXIMUM OPERATING PRESSURE. 150 PSI (1034, 2 kPa)
 FLOW RATING. 180 scfm @ 100 PSI (4,9 m³ min @ 690 kPa)
 OPERATING TEMPERATURE. . . -40°F to 250°F (-40,0°C to 121,1°C)
 MOUNTING. In-line
 MOUNTING ATTITUDE Optional
 MATERIALS: Valve Body Aluminum
 Poppet Stainless Steel
 Poppet Seat Buna N Bonded To Aluminum
 NET WEIGHT. 2 Ounces (0,06 kg)
 *For continuous operation beyond this range, contact factory.

PARTS IDENTIFICATION		
ITEM	DESCRIPTION	QTY.
1	INLET BODY	1
2	POPPET SEAT	1
3	POPPET	1
4	SPRING	1
5	OUTLET BODY	1

This item is classified as a non-repairable unit.

TO ORDER, SPECIFY
WM774A
 Model Number
 PART NUMBER 117005