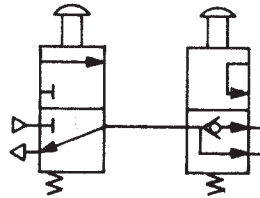


I.S.O. SYMBOL

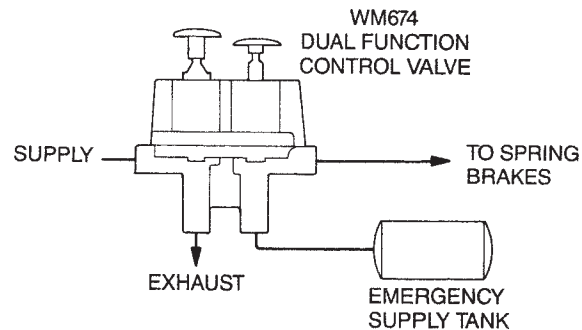


**WM674 SERIES
DUAL FUNCTION
PARKING BRAKE
CONTROL**

DESCRIPTION

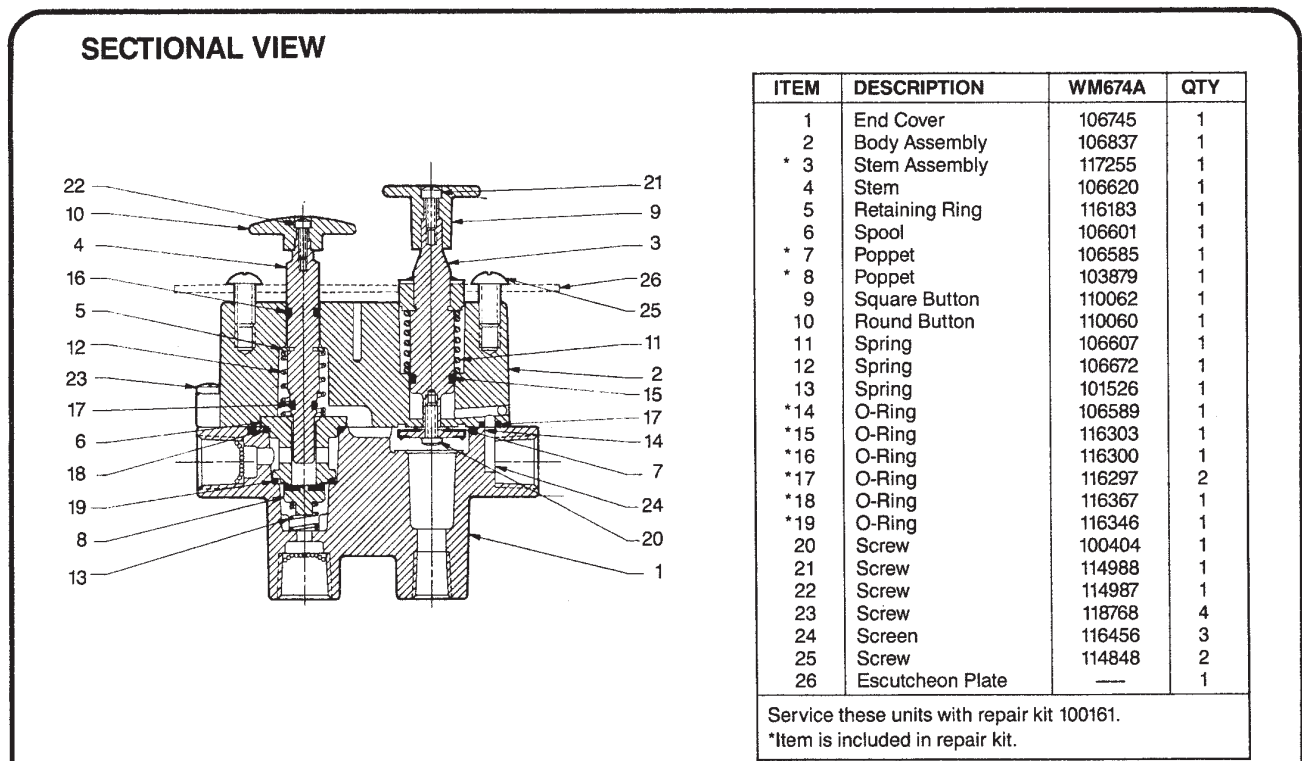
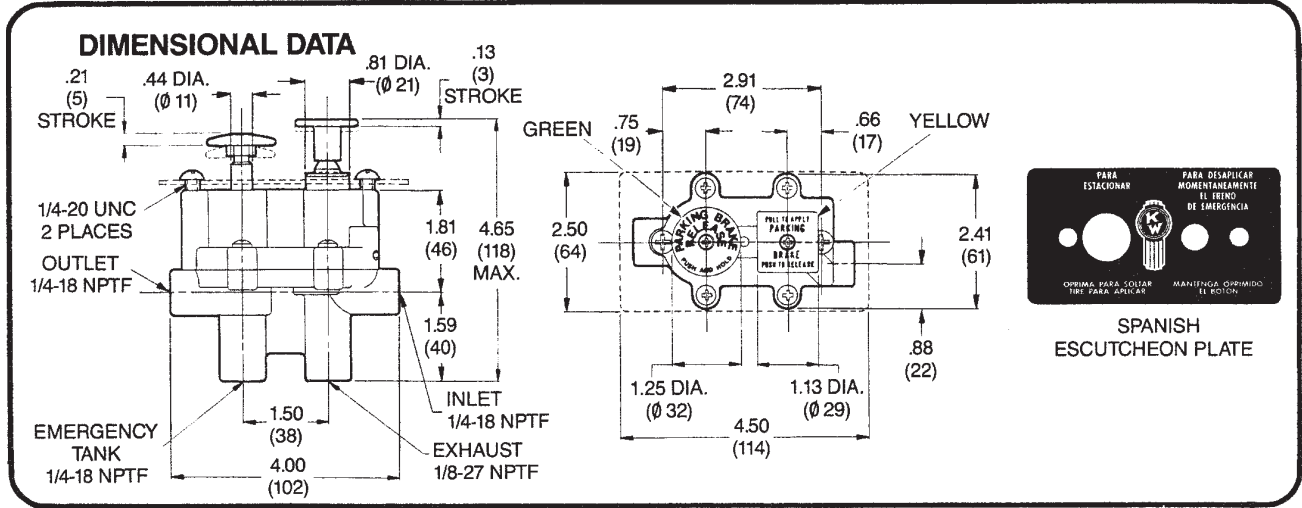
The WM674 is a dual function valve used to control spring brakes under normal and emergency conditions. Each WM674 unit consists of two manually operated three-way valves housed in a common body. When pressure at its inlet exceeds 45 PSI (310 kPa), the first valve (square button) can be manually operated to control the parking brakes. From the first valve, air flows to the second valve (round button) which is spring-loaded so supply pressure can flow through it to release the spring brakes and charge the emergency supply tank. If supply pressure falls between 20-35 PSI, the first valve automatically closes and exhausts downstream pressure to cause emergency application of the spring brakes. An integral check valve in the second valve protects pressure in the emergency supply tank. The second valve can be applied to allow air to flow from the tank so the spring brakes so

the vehicle can be moved. Since the second valve's function is for temporary emergency use, the round button must be manually held down. As soon as the button is released, pressure at the outlet is exhausted to atmosphere and the spring brakes are reapplied.



SPECIFICATIONS

PORT SIZES: Inlets and Outlet	1/4-18 NPTF
Exhaust	1/8-27 NPTF
MAXIMUM SUPPLY PRESSURE	150 PSI (1034 kPa)
OPERATING TEMPERATURE	-20°F to 150°F (-29°C to 66°C)
FLOW RATING: Inlet to Outlet	20 SCFM @ 100 PSI (0,6 m³/min @ 690 kPa)
Outlet to Exhaust	25 SCFM @ 100 PSI (0,7 m³/min @ 690 kPa)
Tank to Outlet	35 SCFM @ 100 PSI (1,0 m³/min @ 690 kPa)
AUTOMATIC APPLICATION PRESSURE	20-35 PSI (138-241 kPa)
MOUNTING	Panel Mounted
MOUNTING ATTITUDE	Optional
MATERIALS: Body Castings	Die Cast Aluminum Alloy
Hardware	Cadmium Plated Steel
Seals & O-Rings	Buna N
WEIGHT	17 oz. (0,5 kg)



ORDERING INFORMATION

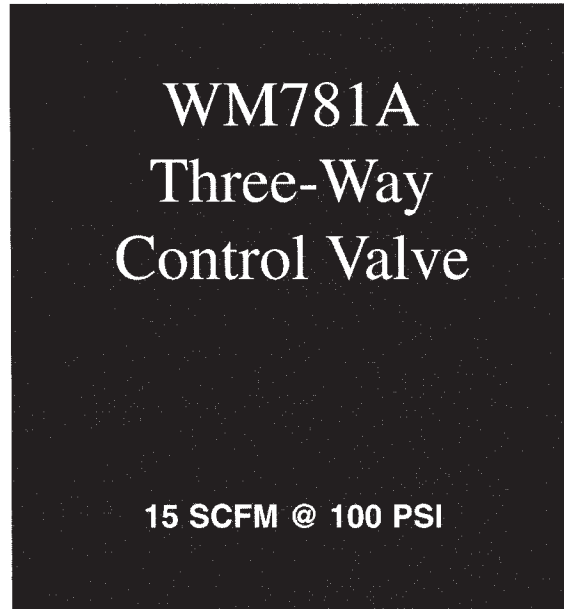
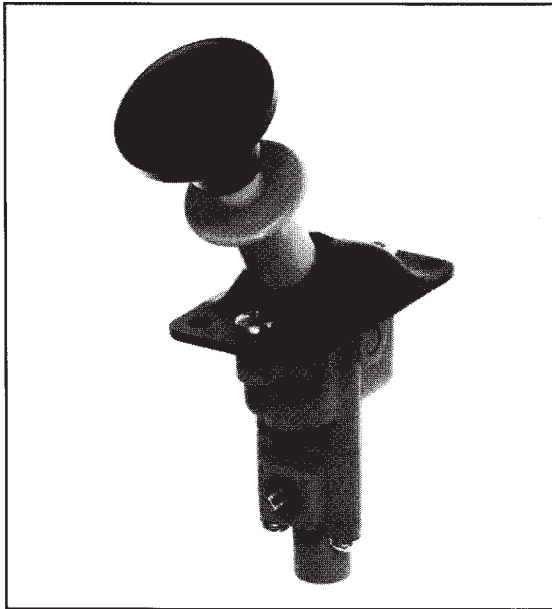
TO ORDER, SPECIFY

WM674 _____
Model Number Suffix

PART NUMBER _____

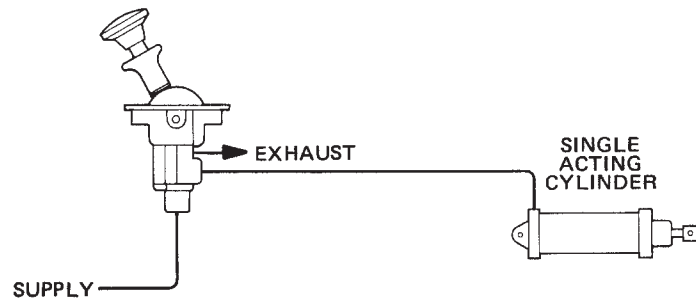
SELECT SUFFIX & PART NUMBER BELOW

SUFFIX	PART NUMBER	KNOB IDENTIFICATION	ESCUTCHEON PLATE
WM674 A	106841	Knobs Lettered Per D.O.T. & R.C.C.C.	Not Included



DESCRIPTION

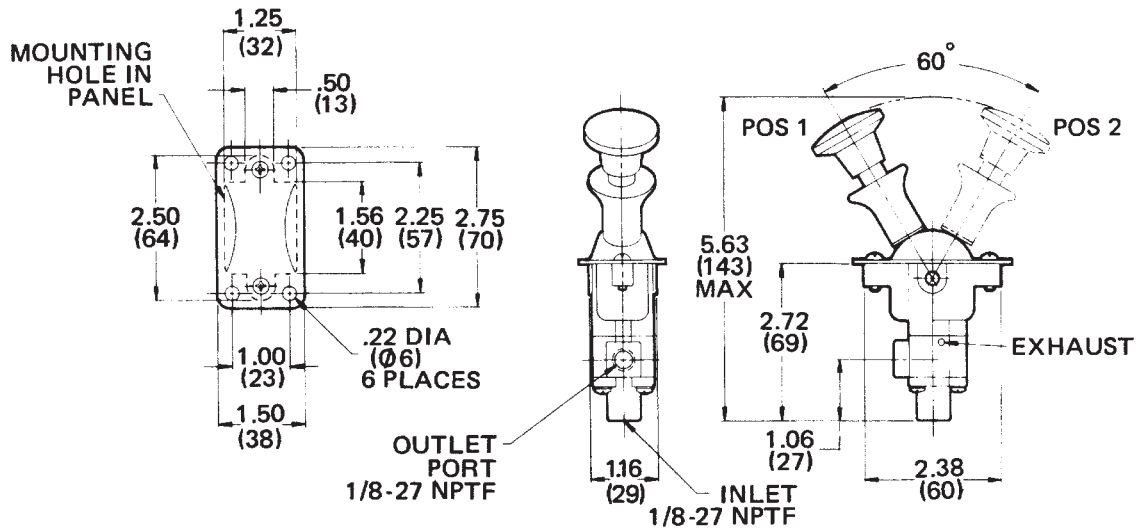
The WM781A series valve is a non-compensating three-way control valve which is normally closed. The WM781A features a spring-loaded lockout safety device which locks the control lever in the applied and released positions to prevent unintentional lever movement.



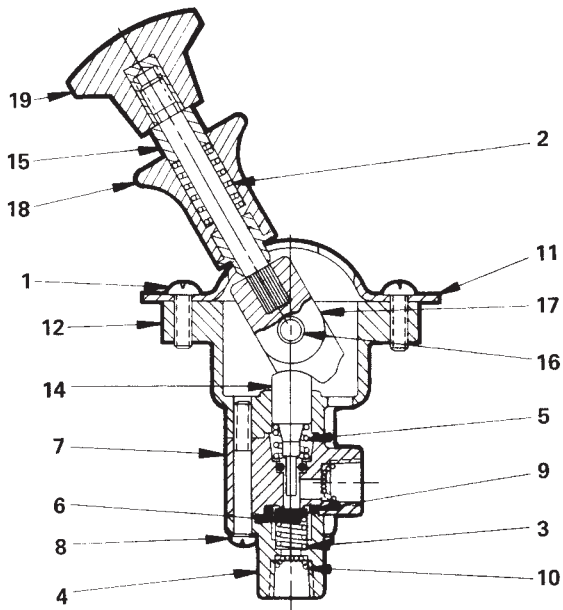
SPECIFICATIONS

Port size	1/8-27 NPTF
Maximum supply pressure	150 PSI (1034, kPa)
Operating temperature	-20°F to 200°F (-29°C to 93°C)
Flow rating	15 SCFM @ 100 PSI (0,4 m ³ /min @ 690 kPa)
Mounting	Panel mounted
Mounting attitude	Optional
Materials: Body castings	Die cast zinc alloy
Poppet	Buna N
O-rings	Buna N
Actuating lever shaft	Steel
Knob	Black plastic
Safety lockout	Steel
Actuating lever shaft	Yellow plastic
Weight	9 oz (0, 2 kg)

DIMENSIONAL DATA



CROSS SECTION

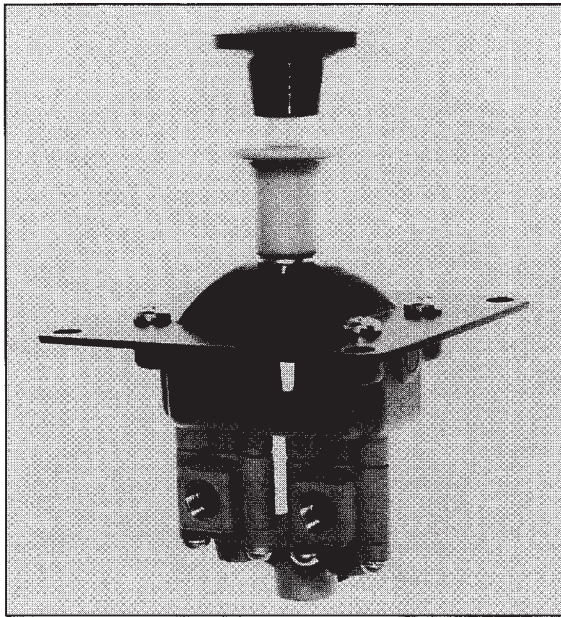


Item	Description	WM781A	Qty
1	Screw	100110	2
2	Spring	101082	1
3	Spring	101467	1
4	Inlet Body	101470	1
5	Spring	118854	1
6	Poppet	119141	1
7	Body	101519	1
8	Screw	119456	3
9	O-Ring	116303	1
10	Screen	116455	1
11	Valve Cover	118286	1
12	Upper Body	119656	1
13	Handle Stem	118439	1
14	Valve Stem	118853	1
15	Handle Bushing	118295	1
16	Lever Pin	101524	1
17	Cam Valve	118443	1
18	Latch Assy	118303	1
19	Knob	118305	1
25	O-Ring	116296	1
27	Screen	116455	1

* Item is included in repair kit. Service this unit with repair kit 114112.

Highlighted parts may be purchased separately.

To order, specify **WM781A**, part number 118315.

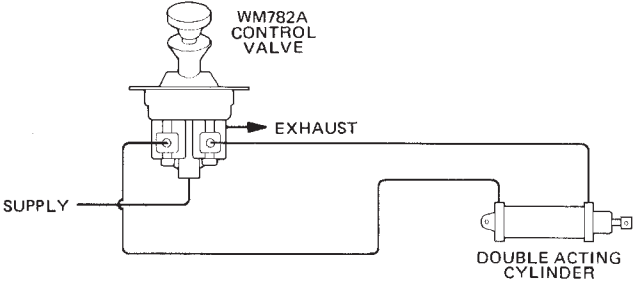


WM782A
Two Position
Four-Way
Control Valve

15 SCFM @ 100 PSI

DESCRIPTION

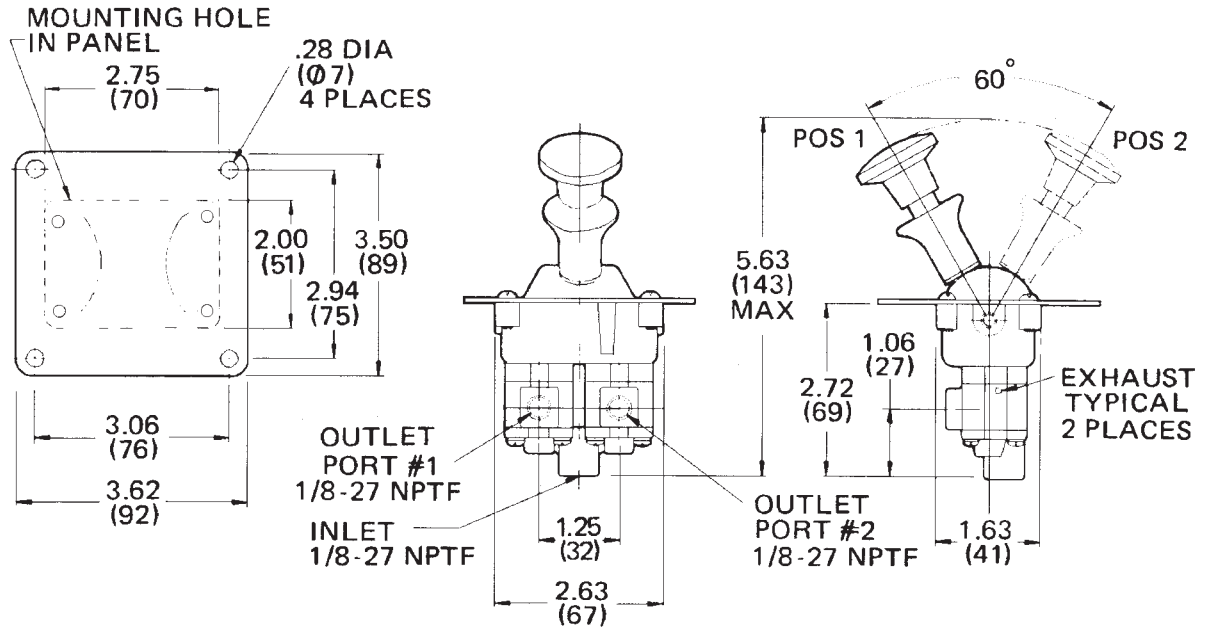
The WM782A is a non-compensating, four way control valve with two functional positions. The valve is equipped with a spring loaded lockout safety device which locks the control lever in both positions to prevent unintentional movement. When the WM782's control lever is in position 1 (refer to dimensional data), outlet port 2 receives supply pressure and outlet 1 is exhausted. When the control lever is moved 60° to position 2, outlet port 1 receives supply pressure and outlet 2 is exhausted. The WM782A valve is designed to control double acting cylinders and the actuation of power take off systems.



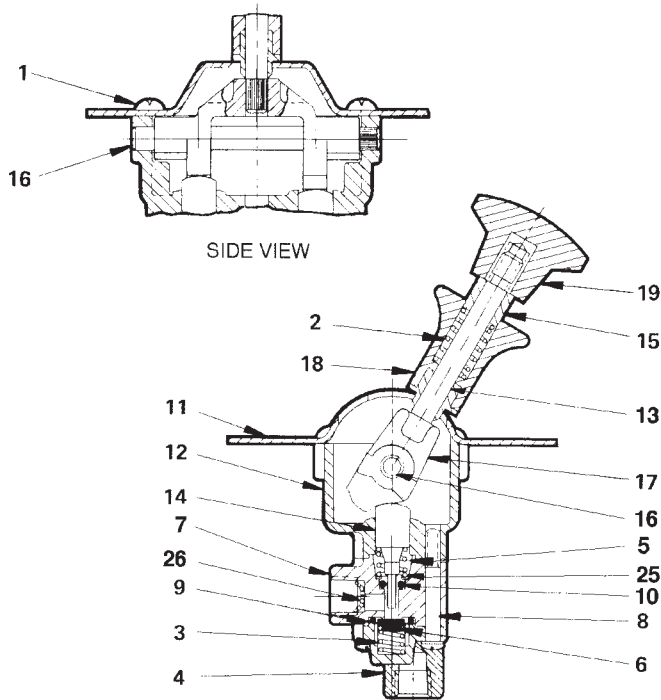
SPECIFICATIONS

Port size	1/8-27 NPTF
Maximum supply pressure	150 PSI (1034 kPa)
Operating temperature	-20°F to 200°F (-29°C to 93°C)
Flow rating	15 SCFM @ 100 PSI (0,4 m ³ /min @ 690 kPa) each side
Mounting	Panel mounted
Mounting attitude	Optional
Materials: Body castings	Iridited die cast zinc alloy
Actuating cam	Iridited die cast zinc alloy
Poppet and O-rings	Buna N
Actuating lever shaft	Steel
Knob	Black plastic
Weight	1 lb, 1 oz (0,5 kg)

DIMENSIONAL DATA



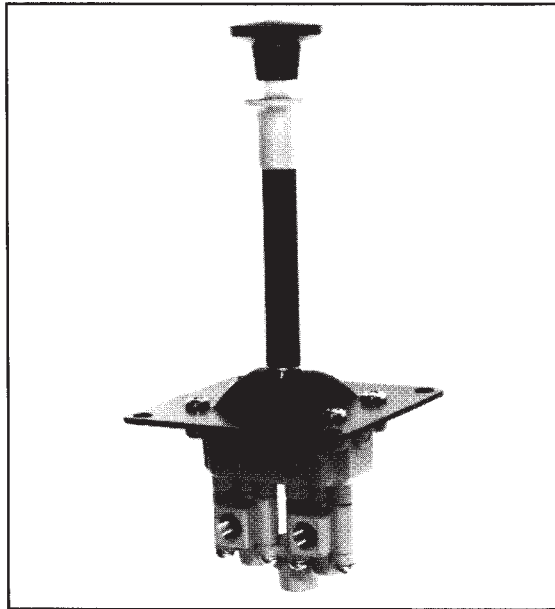
CROSS SECTION & PARTS INFORMATION



ITEM	DESCRIPTION	WM782A	QTY
1	Screw	100110	4
2	Spring	101082	1
3	Spring	101467	2
4	Inlet Body	118309	1
*5	Spring	118854	2
*6	Poppet	119141	2
*7	Body	101519	2
8	Screw	119573	6
9	O Ring	116303	2
*10	O Ring	116296	2
11	Valve Cover	118288	1
12	Upper Body	119658	1
13	Handle Stem	118439	1
*14	Valve Stem	118853	2
15	Handle Bushing	118295	1
16	Lever Pin	118299	1
17	Cam Valve	118442	1
18	Latch Assembly	118303	1
19	Knob	118305	1
*25	Snap Ring	117927	2
26	Screen	116455	1

* Part is included in repair kit. Service this unit with two repair kits, part number 118400.
Highlighted items may be purchased separately.

To order, specify **WM782A**, part number 118316.

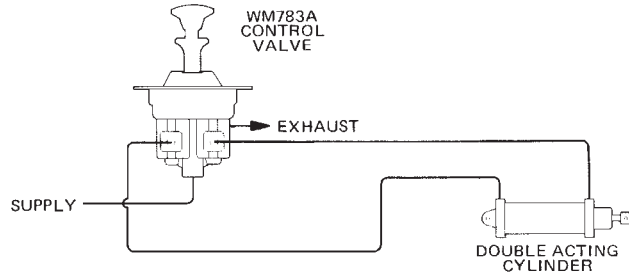


WM783A
Three-Position
Four-Way
Control Valve

15 SCFM @ 100 PSI

DESCRIPTION

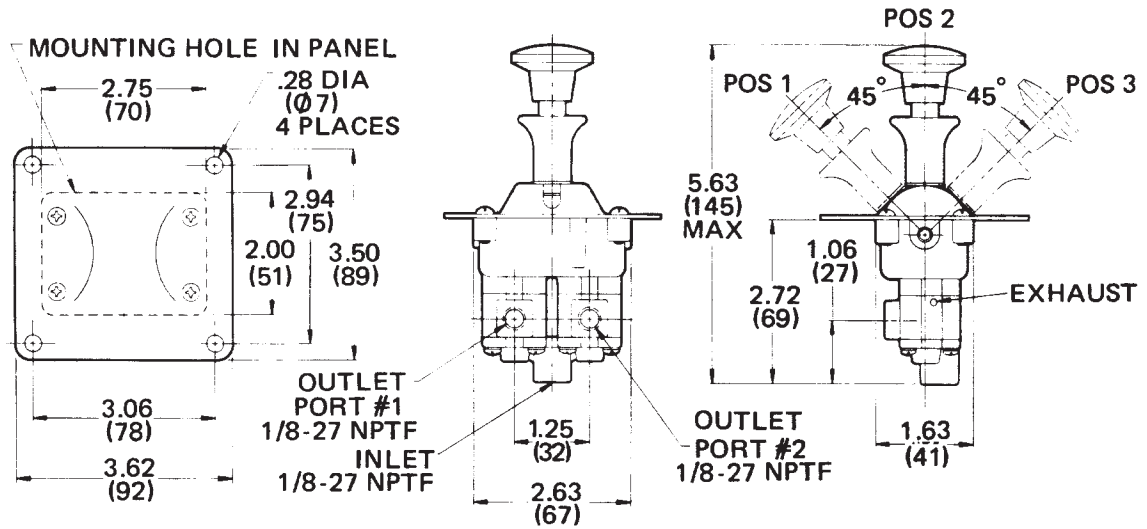
The WM783A valve is a non-compensating four-way control valve with three functional positions. WM781A models are equipped with a spring-loaded lockout safety device which locks the control lever in each of the three positions to prevent unintentional movement.



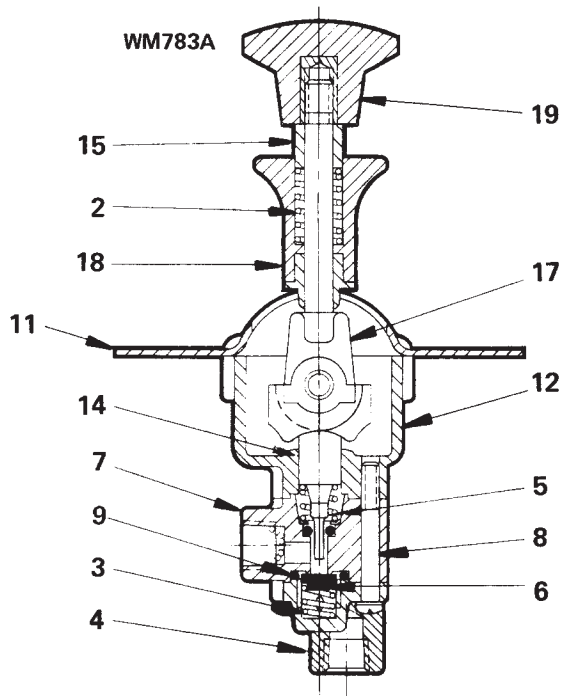
SPECIFICATIONS

Port size	1/8-27 NPTF
Maximum operating pressure.....	150 PSI (1034 kPa)
Operating temperature	-20°F to 200°F (-29°C to 93°C)
Flow rating	15 SCFM @ 100 PSI (0,4 m ³ /min @ 690 kPa)
Mounting.....	Panel mounted
Mounting attitude.....	Optional
Materials: Body castings	Die cast zinc alloy
Actuating cam	Die cast zinc alloy
Poppets	Buna N
O-rings	Buna N
Actuating lever shaft	Steel
Knob	Black plastic
Safety lockout.....	Yellow plastic
Weight.....	1 lb, 1 oz (0, 5 kg)

DIMENSIONAL DATA



CROSS SECTION



Item	Description	WM781A	Qty
1	Screw	100110	4
2	Spring	101082	1
*3	Spring	101467	2
4	Inlet Body	118309	1
*5	Spring	118854	2
*6	Poppet	119141	2
*7	Body	101519	2
8	Screw	119579	6
*9	O-Ring	116303	2
10	O-Ring	116296	2
11	Valve Cover	118286	1
12	Upper Body	119658	1
13	Handle Stem	118439	1
*14	Valve Stem	118853	2
15	Handle Bushing	118295	1
16	Lever Pin	118299	1
17	Cam Valve	118441	1
18	Latch Assy.	118903	1
19	Knob	118305	1
25	Snap Ring	117927	2
26	Screen	116455	1

* Item is included in repair kit. Service this unit with two repair kits 118400.

Highlighted parts may be purchased separately.

To order, specify **WM783A**, part number 118317.

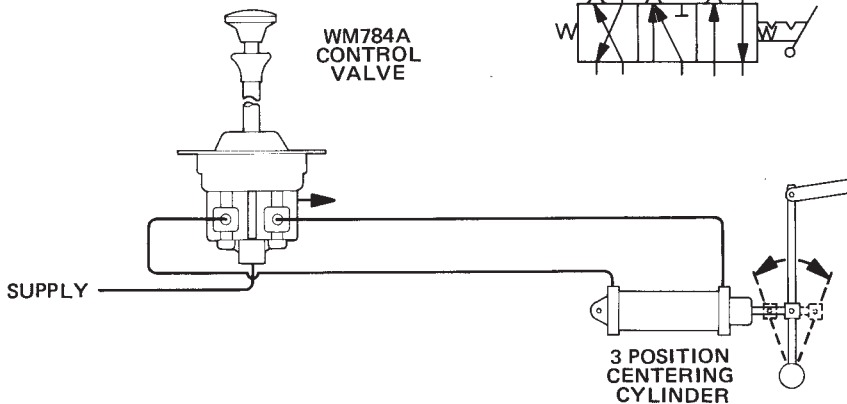
PRODUCT DESCRIPTION

DESCRIPTION The WM784 series is composed of non-compensating, four-way control valves with three functional positions. These valves are actuated by control levers which spring return to the neutral position when they are not manually held in an applied position. WM784B1 models have a detent in the neutral position and WM784A and B models are equipped with a spring-loaded lockout safety device that locks the control lever in the neutral position to prevent unintentional movement.

OPERATION When a WM784 valve's control lever is held in Position 1 (Refer to External Configuration.), outlet port 2 receives supply pressure and outlet 1 is exhausted. In Position 2 ("neutral") both outlet ports are exhausted; and outlet port 1 receives supply pressure while outlet 2 is exhausted if the lever is held in Position 3. Whenever the operator releases his hold on the control lever, it will spring-return to the neutral position.

APPLICATION The WM784A is a versatile control valve with a variety of industrial and vehicular applications. WM784A valves are frequently used to control air operated relay valves, cylinders and power take off systems.

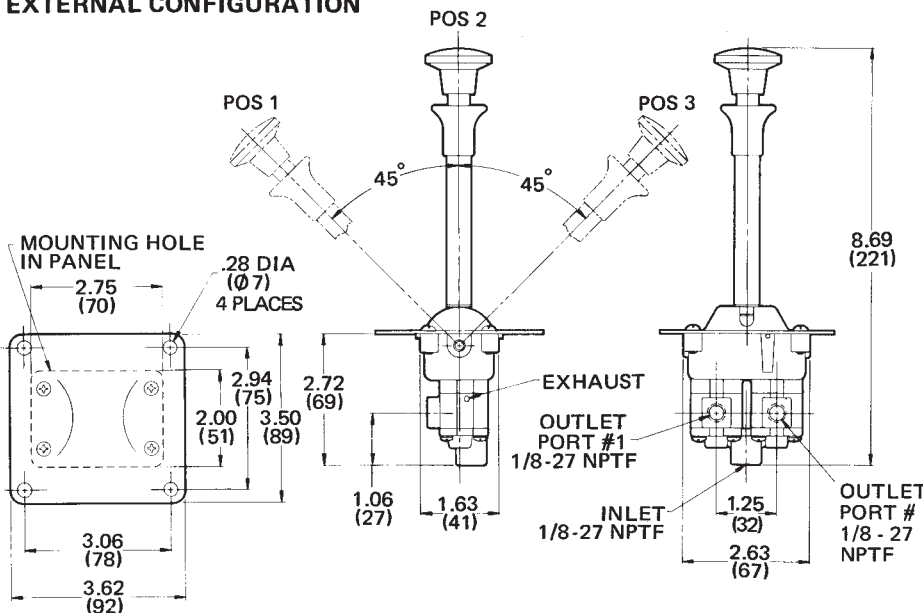
TYPICAL INSTALLATION



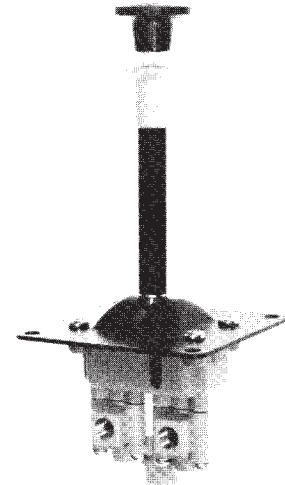
I. S. O. SYMBOL



EXTERNAL CONFIGURATION

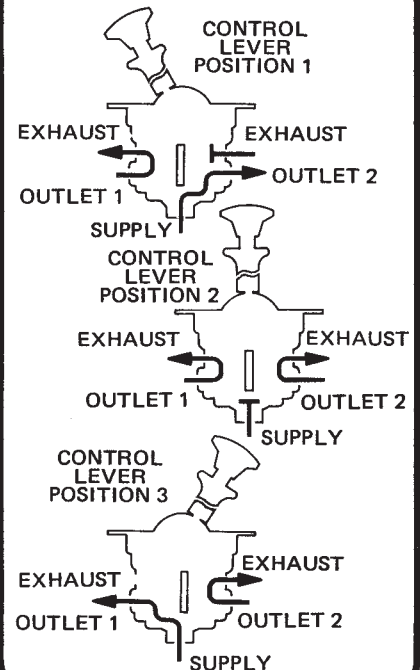


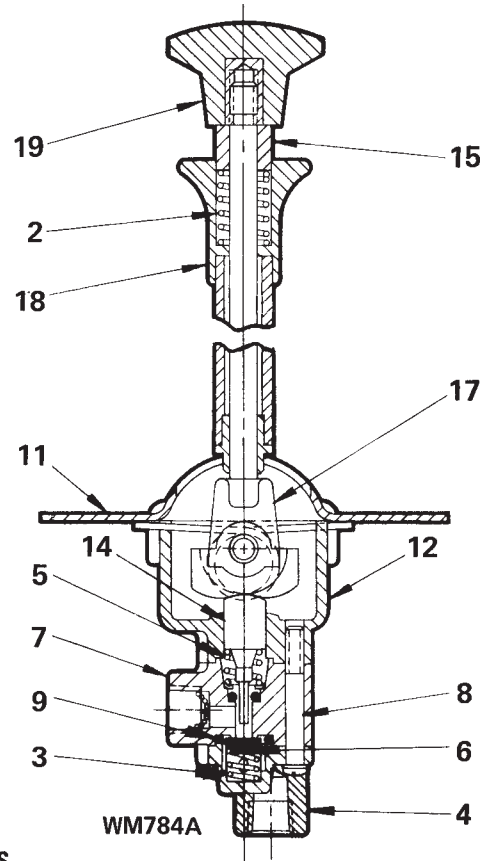
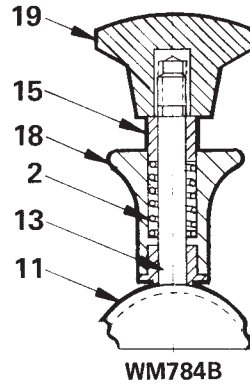
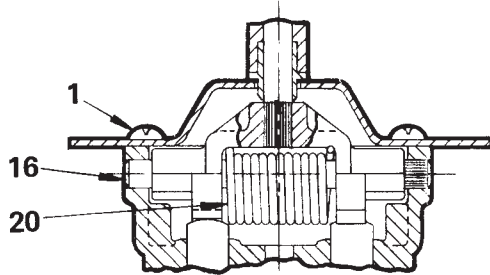
**WM784
SERIES**



**THREE POSITION
SPRING RETURN
FOUR-WAY
CONTROL
VALVE**

FUNCTIONAL DIAGRAM





PARTS IDENTIFICATION			
ITEM	DESCRIPTION	QTY	
		WM784A	WM784B
1	SCREW (100110)	4	4
2	SPRING (101082)	1	1
*3	SPRING	2	2
4	INLET BODY	1	1
*5	SPRING	2	2
*6	POPPET	2	2
7	BODY ASSY.	2	2
8	SCREW	6	6
*9	O-RING	2	2
11	VALVE COVER (118333)	1	1
12	UPPER BODY	1	1
*14	VALVE STEM	2	2
15	HANDLE BUSHING (118295)	1	1
16	LEVER PIN	1	1
17	CAM ASSY. (118496 FOR WM784A, 118495 FOR WM784B MODELS)	1	1
18	LATCH ASSY. (118304 FOR WM784A, 118303 FOR WM784B)	1	1
19	KNOB (118305)	1	1
20	SPRING	1	1

Service these units with two 118400 repair kits. *Asterisk designates items included in repair kit.

SPECIFICATIONS

PORT SIZE 1/8-27 NPTF

MAXIMUM OPERATING PRESSURE. 150 PSI (1034, 2 kPa)

OPERATING TEMPERATURE* . . -20°F to 200°F (-28, 9°C to 93, 3°C)

FLOW RATING. . 15 SCFM @ 100 PSI (0,4 m³/min @ 690 kPa) each side

MOUNTING. Panel Mounted

MOUNTING ATTITUDE Optional

MATERIALS: Body Castings Die Cast Zinc Alloy

Actuating Cam Die Cast Zinc Alloy

Poppets. Buna N

O-Rings. Buna N

Actuating Lever Shaft Steel

Knob Black Plastic

Safety Lockout (WM784A & B only) . Yellow Plastic

NET WEIGHT: WM784A. 1 lb., 3 oz. (0, 5 kg)

WM784B. 1 lb., 1 oz. (0, 5 kg)

*For continuous operation beyond this range, contact factory.

TO ORDER, SPECIFY
WM784A _____

Model Number Suffix

PART NUMBER _____

SELECT SUFFIX & PART NUMBER BELOW

SUFFIX	PART NUMBER	LEVER FEATURES	1/8 to 1/4 NPTF FITTINGS	INTERCHANGES W/ WABCO P/N
WM784 A	118318	6" LEVER SAFETY LOCKOUT	NO	2-HA-2Z (P59339)
WM784 B	118437	3" LEVER SAFETY LOCKOUT	NO	