

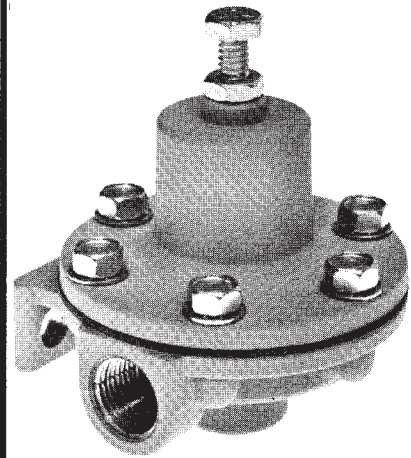
PRODUCT DESCRIPTION

DESCRIPTION The WM87 series valves are normally closed adjustable pressure protection valves. To protect pressure in the main air system, these valves remain closed until adequate pressure is present to supply an auxiliary system. The customer must adjust the valve to select a pressure setting at which the valve will open. Until the supply pressure exceeds this setting, the WM87 series valve remains closed. Several models are available in the WM87 series, and each functions differently when the supply pressure drops below the pressure setting.

OPERATION When adequate supply pressure is present, the WM87 series valve yields and the supply port opens to the outlet port. Each of the three WM87 models operates differently when the supply pressure decreases below the opening pressure. The WM87 traps the pressure at the outlet port, while the WM87A, which has a flexible poppet, permits reverse flow until the supply pressure balances with the outlet pressure. On the WM87C, an exhaust port releases downstream pressure at the outlet port. All of the WM87 valves will reopen if the supply pressure increases above the preset opening pressure.

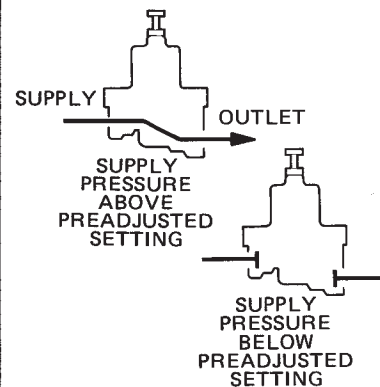
APPLICATION As shown in the installation schematic below, before opening and supplying pressure to a secondary system, the WM87 series valve allows pressure to build in a primary system to a preset level. Thus, a specific pressure is maintained in the primary system. For each application, the customer must adjust the valve to obtain the desired opening pressure.

**WM87
SERIES**

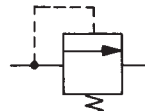


**ADJUSTABLE
PRESSURE
PROTECTION
VALVE**

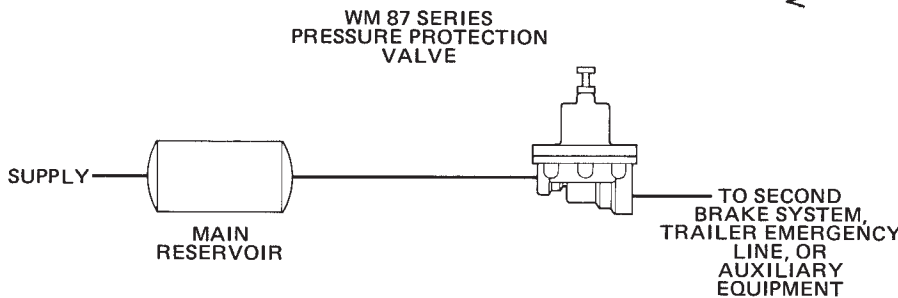
FUNCTIONAL DIAGRAM



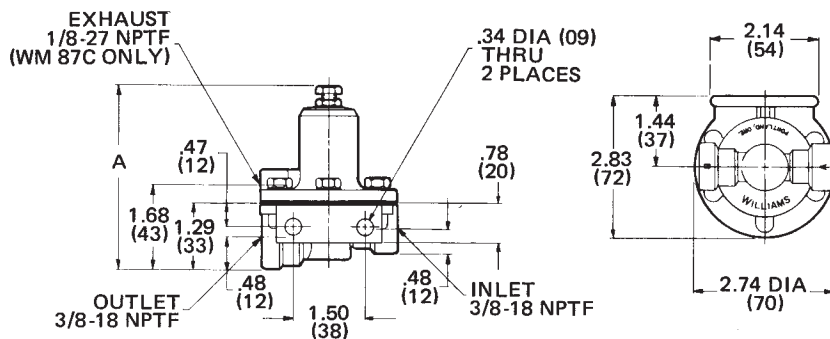
I.S.O. SYMBOL

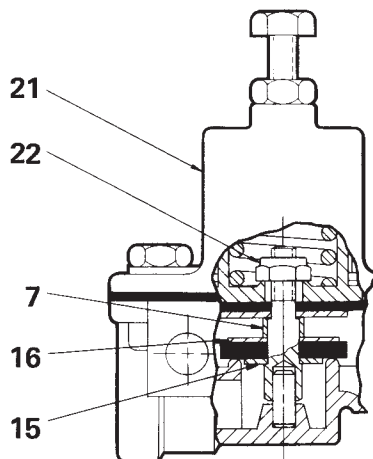
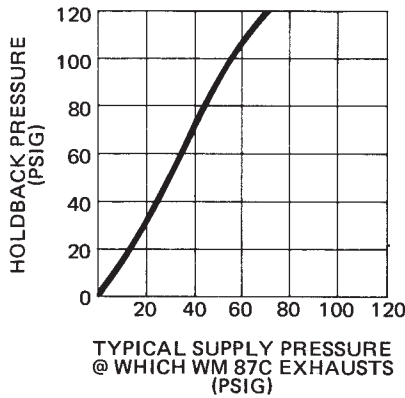


TYPICAL INSTALLATION

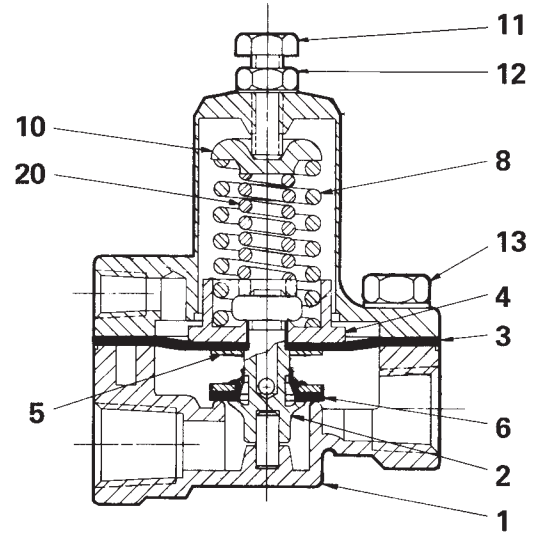


EXTERNAL CONFIGURATION





WM87



PARTS IDENTIFICATION			
ITEM	DESCRIPTION	QUANTITY	
		NO SUFFIX	
1	BODY ASSEMBLY	1	
2	STEM	1	
* 3	DIAPHRAGM	1	
4	SPRING PLATE	1	
5	WASHER	1	
* 6	POPPET	1	
7	SPACER	1	
8	SPRING	1	
9	COVER		
10	SPRING CAP	1	
11	SCREW	1	
12	NUT	1	
13	SCREW	6	
14	NUT		
15	WASHER	1	
16	WASHER	1	
17	SPRING		
19	WASHER		
20	SPRING	1	
21	COVER	1	
22	NUT	1	

Service the WM87 with repair kit number 114094.

*Asterisk designates parts included in repair kit 114094, 114095 or 114097.

SPECIFICATIONS

PORT SIZES: Inlet & Outlet 3/8-18 NPTF

MAXIMUM OPERATING PRESSURE 150 PSI (1034,2 kPa)

OPERATING TEMPERATURE* . . . -20°F to 200°F (-28,9°C to 93,3°C)

FLOW RATING 155 SCFM @ 100 PSI (4,4 m³/min @ 690 kPa)

MOUNTING . . Pipe Mtg. or Mtg. w/ Bracket & Customer-Supplied Fasteners

MOUNTING ATTITUDE. Optional

MATERIALS: Body Castings Die Cast Zinc Alloy

Stems Brass

Diaphragms Fabric-Reinforced Buna N

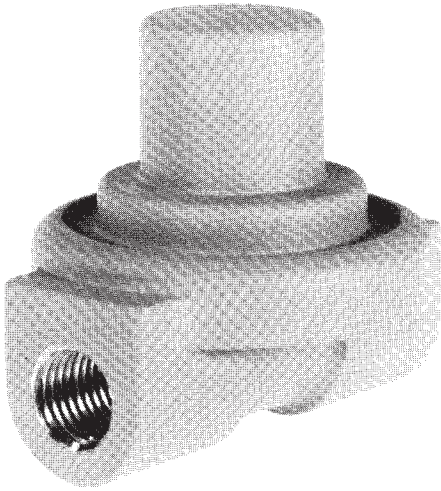
Poppets: WM 87 Buna N

NET WEIGHT: WM 87 16 oz. (0,5 kg)

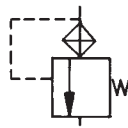
*For continuous operation beyond this range, contact factory.

TO ORDER, SPECIFY				
WM 87 _____				
		Model Number	Suffix	
PART NUMBER _____				
SELECT SUFFIX & PART NUMBER BELOW				
SUFFIX	PART NUMBER	VALVE FUNCTION WITH SUPPLY PRESSURE DECREASE	ADJUSTABLE HOLDBACK PRESSURE*	MAX. HEIGHT A
WM 87 NO SUFFIX	111257	Valve Traps Pressure at Outlet	0-75/85 PSI (0-517/586 kPa)	3.84 in. (98 mm)

*Customer must adjust valve to desired opening pressure within this range.



I.S.O. SYMBOL

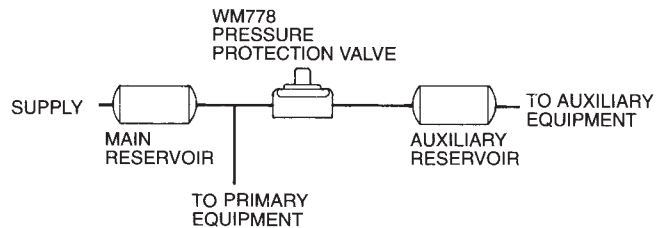


WM778 SERIES PRESSURE PROTECTION VALVE

70 PSI HOLDBACK

DESCRIPTION

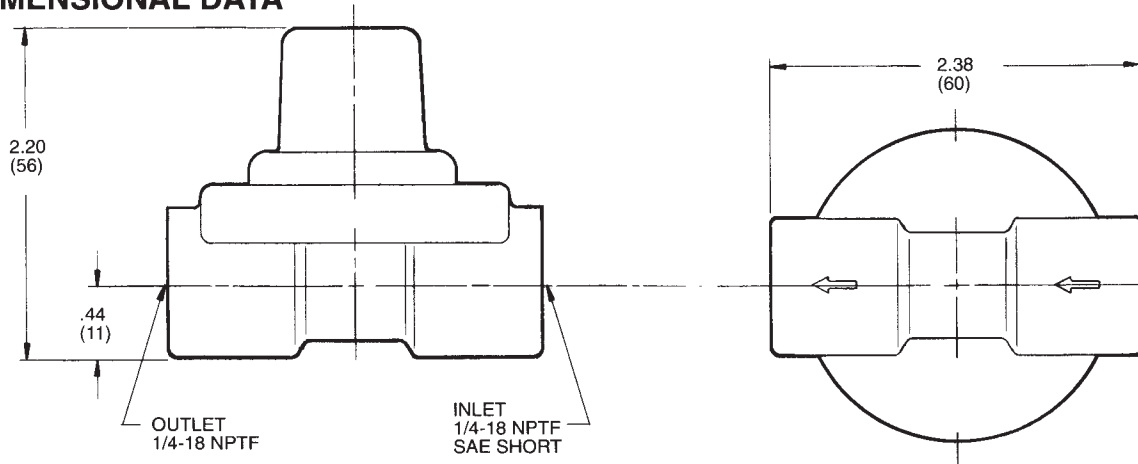
The WM778 series are normally closed pressure protection valves often used when an auxiliary system is supplied off a primary system. The valve will protect primary system air pressure by reclosing automatically at 70 PSI (482 kPa). The WM778 is available with or without a filter installed in its inlet port. The filter will reduce ingestion of contaminants.



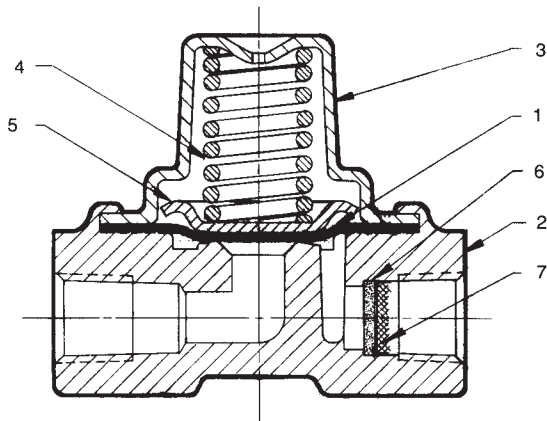
SPECIFICATIONS

PORT SIZE	1/4-18 NPTF
MAXIMUM OPERATING PRESSURE	150 PSI (1034 kPa)
OPERATING TEMPERATURE.....	-40°F to 180°F (-40°C to 82°C)
MOUNTING	By Inlet and Outlet Ports
MOUNTING ATTITUDE	Optional
MATERIALS: Body	Die Cast Zinc Alloy
Cover	Zinc-Plated Steel
Diaphragm	Fabric-Reinforced Buna N
WEIGHT	9.5 oz. (0,3 kg)

DIMENSIONAL DATA



SECTIONAL VIEW



ITEM	DESCRIPTION	WM778A	WM778A1	QTY.
1	Diaphragm	118186	118186	1
2	Body	118183	118183	1
3	Cover	118184	118184	1
4	Spring	131367	131367	1
5	Diaphragm Plate	118185	118185	1
6	Filter Disc	—	118587	1
7	Screen	—	116456	1

ORDERING INFORMATION

<p>TO ORDER, SPECIFY WM778 Model Number Suffix PART NUMBER _____ SELECT SUFFIX & PART NUMBER BELOW</p>		
MODEL	PART NUMBER	WITH FILTER
WM778 A	118181	NO
WM778 A1	118588	YES