



99170



99180



99170-1

ULTRA-SEAL CORROSION-PREVENTIVE SEALANT

Cost-effective product prevents rust and corrosion • Good mechanical stability • Added tackifiers improve adhesion and resistance to washout

- Has a 25% higher non-conductivity rating compared to the competition
- Operating range -40°F to 302°F

99170 4 oz. (118 ml.) Tube

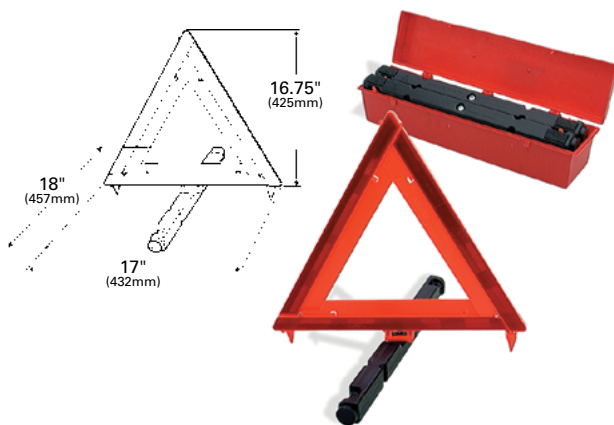
99180 8 oz. (236 ml.) Tub

99170-GT 14 oz. (414 ml.) Tub

RETAIL DISPLAY:

99170-1 Display (12 of 99170)

VMRS Code: 053-999-096



TRIANGLE WARNING KIT

Reflective up to 1/2 mile • Exceeds legal requirements • Weatherproof and impact-resistant • Weighted for stability • Kit of three triangle devices in carrying case

KITS:

71422 Three Triangles

Material: Acrylic/ABS/Polypropylene

Regulations / Standards: FMVSS 125 / SAE J774C™-Type I

VMRS Code: 053-004-005