

HOSE SUPPORT CLAMPS

HK

Material: C1010 Steel with 1/32" thick vinyl cushion.
Plating: Zinc-plated dichromate finish.



ITEM #	BOLT HOLE	CLAMPING DIA.
HK-0509	1/4"	1/4"
HK-0709	9/32"	3/8"
HK-0809	9/32"	7/16"
HK-0913	13/32"	1/2"
HK-1013	13/32"	9/16"
HK-1113	13/32"	5/8"
HK-1213	13/32"	11/16"
HK-1313	13/32"	3/4"
HK-1413	13/32"	13/16"
HK-1513	13/32"	7/8"
HK-1613	13/32"	15/16"
HK-1713	13/32"	1"
HK-1813	13/32"	1-1/16"
HK-1913	13/32"	1-1/8"
HK-2017	17/32"	1-13/16"
HK-2117	17/32"	1-1/4"
HK-2317	17/32"	1-3/8"
HK-2517	17/32"	1-1/2"
HK-2617	17/32"	1-9/16"
HK-2917	17/32"	1-3/4"
HK-3117	17/32"	1-7/8"
HK-3217	17/32"	1-15/16"
HK-3317	17/32"	2"
HK-3417	17/32"	2-5/32"
HK-3817	17/32"	2-21/32"

DIN 3015 SUPPORT OVERVIEW

Series

HRL - Standard Duty



- Available to 2" tube outside diameter.
- Recommended for systems with less than 1500 PSI operating pressure and no dynamic loads.

HRS - Heavy Duty



- Available to 16" nominal pipe size
- Recommended for systems with greater than 1500 PSI operating pressure, operations with pressure surges and applications with wide temperature fluctuations.

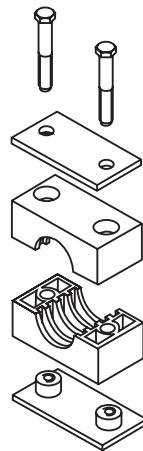
HRZ - Twin



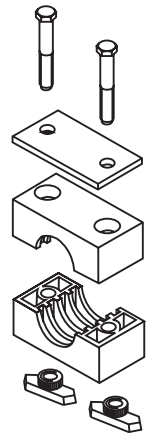
- Available to 1-1/4" nominal pipe size
- Recommended for systems with less than 1500 PSI operating pressure and no dynamic loads

Arrangements

Various arrangements are available in each series.



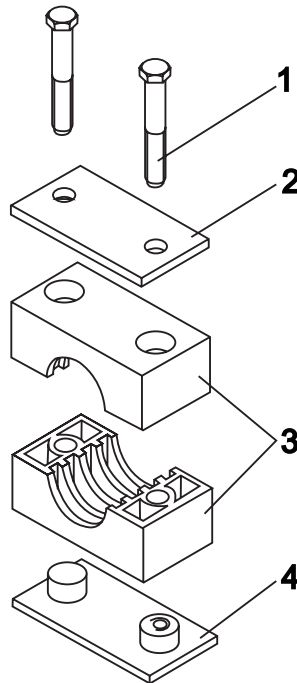
**Weld Plate
Mounting**



**C-rail
Mounting**

HRL SERIES STANDARD DUTY SUPPORTS

A
Single Clamp with
Weld Plate



Parts Legend	
1	Hex Head
2	Top Plate
3	Clamp Pair
4	Weld Plate

A maximum of 3 stacking modules is recommended

*Clamp Material Available	*Metal Component Material
- Polypropylene	- Carbon Steel
- Polyamide	- 316 Stainless Steel
- Aluminum	

Model Code: HRL Series

HRL 2 A 12.7

Series _____
HRL = Standard duty single clamp with ribbed bore

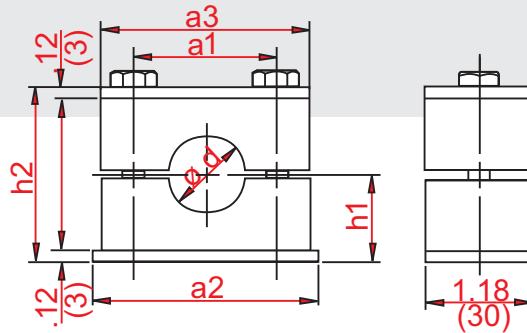
Size Family _____
0 to 8 (refer to table on next page) (size 7 and 8 available in Metric only)

Arrangement _____
A = Single clamp with top plate and weld plate
S = Single clamp without weld plate
R = C-Rail mounted clamp
SM = Single clamp stacking module (not available for size 0)

Bore Size (in mm) _____
(refer to table on next page)

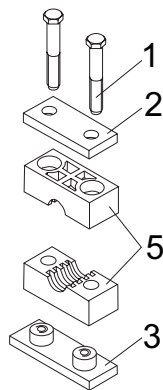
HRL SERIES DIMENSIONS

HRL

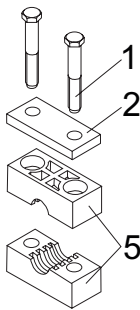


Part No.	Size	Po.	MM	OD	PIPE SIZE	a1	a2	a3	h1	h2	Weight A	Weight B	Bolt Size	
HRL1A-06	1	0.24	6.0	-	-									
HRL1A-6.4		0.25	6.4	1/4	-									
HRL1A-08		0.31	8.0	5/16	-	0.79	1.42	1.34	0.63	1.26	0.18	0.13	1/4-20X1-1/4	
HRL1A-9.5		0.37	9.5	3/8	-	(20)	(36)	(34)	(16)	(32)	(0.08)	(0.06)	(M6X30)	
HRL1A-10		0.39	10.0	-	1/4									
HRL1A-12		0.47	12.0	-	-									
HRL2A-12.7	2	0.50	12.7	1/2	-									
HRL2A-13.7		0.54	13.7	-	1/4									
HRL2A-14		0.50	14.0	-	-	1.02	1.65	1.57	0.77	1.53	0.27	0.16	1/4-20X1-1/2	
HRL2A-15		0.59	15.0	-	-	(26)	(42)	(40)	(19.5)	(39)	(0.12)	(0.07)	(M6X35)	
HRL2A-16		0.63	16.0	5/8	-									
HRL2A-17.1		0.67	17.1	-	3/8									
HRL2A-18	0.71	18.0	-	-										
HRL3A-19	3	0.75	19.0	3/4	-									
HRL3A-20		0.79	20.0	-	-									
HRL3A-21.3		0.84	21.3	-	1/2	1.30	1.97	1.89	0.85	1.69	0.31	0.22	1/4-20X1-1/2	
HRL3A-22		0.87	22.0	-	-	(33)	(50)	(48)	(21.5)	(43)	(0.14)	(0.10)	(M6X40)	
HRL3A-23		0.91	23.0	-	-									
HRL3A-25		0.98	25.0	-	-									
HRL3A-25.4	1.00	25.4	1	-										
HRL4A-26.6	4	1.05	26.6	-	3/4	1.57	1.32	2.24	0.94	1.89	0.33	0.27	1/4-20X1-3/4	
HRL4A-28		1.10	28.0	-	-	(40)	(59)	(57)	(24)	(48)	(0.15)	(0.12)	(M6X45)	
HRL4A-30		1.18	30.0	-	-									
HRL5A-32	5	1.26	32.0	1-1/4	-									
HRL5A-33.7		1.33	33.7	-	1									
HRL5A-35		1.38	35.0	-	-	2.05	2.83	2.75	1.26	2.52	0.42	0.31	1/4-20X2-1/2	
HRL5A-38		1.50	38.0	1-1/2	-	(52)	(72)	(70)	(32)	(64)	(0.19)	(0.14)	(M6X60)	
HRL5A-40		1.57	40.0	-	-									
HRL5A-42		1.65	42.0	-	1-1/4									
HRL6A-44.5	6	1.75	44.5	1-3/4	-	2.60	3.46	3.38	1.42	2.83	0.53	0.40	1/4-20X2-3/4	
HRL6A-48.3		1.90	48.3	-	1-1/2	(66)	(88)	(86)	(36)	(72)	(0.24)	(0.18)	(M6X70)	
HRL6A-50.8		2.00	50.8	2	-									

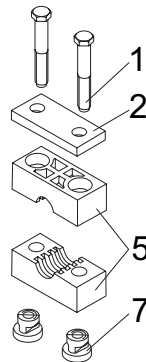
HRS SERIES HEAVY DUTY SUPPORTS



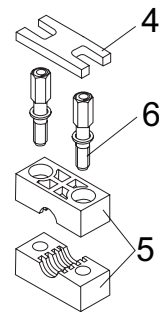
A
Single Clamp with
Weld Plate



S
Single Clamp without
Weld Plate



R
Single Clamp for
C-Rail Mounting
(size 1 to 4 only)
(order C-Rail separately)



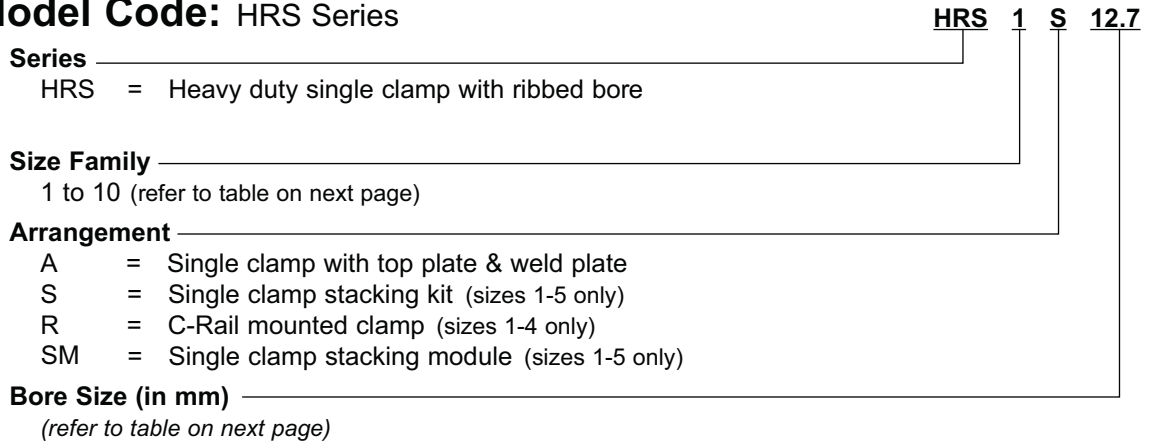
SM
Single Clamp
Stacking Module
(size 1 to 5 only)

Parts Legend (see page 62 to order parts separately)	
1	Hex Head Bolt
2	Top Plate
3	Weld Plate
4	Safety Plate
5	Clamp Pair
6	Stacking Bolt
7	C-Rail Nut

A maximum of 3 stacking modules is recommended

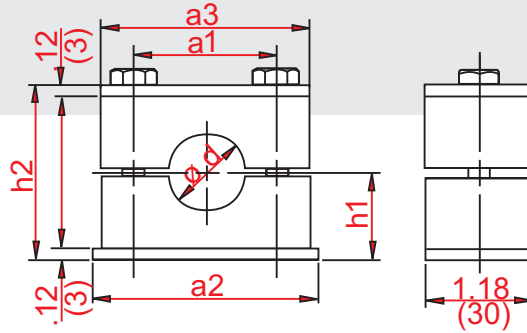
*Clamp Material Available	*Metal Component Material
- Polypropylene	- Carbon Steel
- Polyamide	- 316 Stainless Steel
- Aluminum	

Model Code: HRS Series



HRS SERIES DIMENSIONS

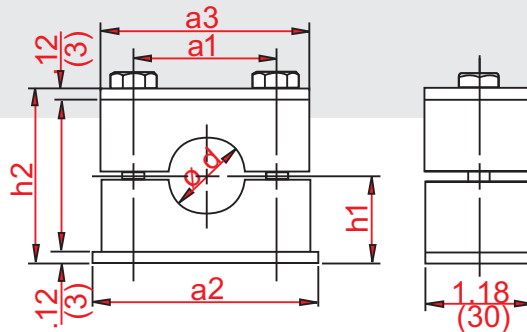
HRS



Part No.	Size	Po.	MM	OD	PIPE SIZE	a1	a2	a3	h1	h2	Weight		Bolt Size	
											A	B		
HRS1A-06	1	0.24	6.00	-	-									
HRS1A-6.4		0.25	6.40	-	-									
HRS1A-08		0.32	8.00	-	-									
HRS1A-9.5		0.37	9.50	-	-									
HRS1A-10		0.39	10.00	-	-									
HRS1A-10.3		0.41	10.30	-	1/8	1.30	2.87	2.17	1.18	0.94	1.89	0.31	3/8-16X1-3/4	
HRS1A-12.7		0.50	12.70	1/2	-	(33)	(73)	(55)	(30)	(24)	(48)	(8)	(M10X45)	
HRS1A-13.7		0.54	13.70	-	1/4									
HRS1A-14		0.55	14.00	-	-									
HRS1A-15		0.59	15.00	-	-									
HRS1A-16		0.63	16.00	58	-									
HRS1A-17.1		0.67	17.10	-	3/8									
HRS1A-18		0.71	18.00	-	-									
HRS2A-19		2	0.75	19.00	3/4	-								
HRS2A-20			0.79	20.00	-	-								
HRS2A-21.3	0.84		21.30	-	1/2	1.77	3.35	2.76	1.18	1.26	2.52	0.31	3/8-16X2-1/4	
HRS2A-22	0.87		22.00	7/8	-	(45)	(85)	(70)	(30)	(32)	(64)	(8)	(M10X60)	
HRS2A-25	0.98		25.00	-	-									
HRS2A-25.4	1.00		25.40	1	-									
HRS2A-26.7	1.05		26.70	-	3/4									
HRS2A-28	1.10		28.00	-	-									
HRS2A-30	1.18		30.00	-	-									
HRS3A-25	3		0.98	25.00	-	-								
HRS3A-30		1.18	30.00	-	-									
HRS3A-32		1.26	32.00	1-1/4	-	2.36	3.94	3.35	1.18	1.50	2.99	0.31	3/8-16X2-3/4	
HRS3A-33.7		1.33	33.70	-	1	(60)	(100)	(85)	(30)	(38)	(76)	(8)		
HRS3A-35		1.38	35.00	-	-									
HRS3A-38		1.50	38.00	1-1/2	-									
HRS3A-40		1.57	40.00	-	-									
HRS3A-42	1.65	42.00	-	1-1/4										

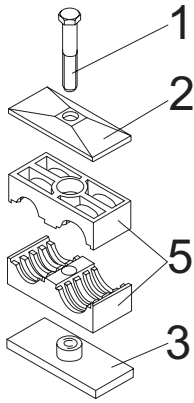
HRS SERIES DIMENSIONS

HRS

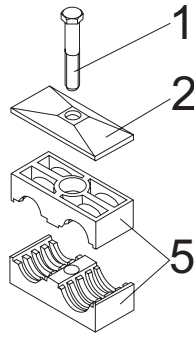


Part No.	Size	Po.	MM	OD	PIPE SIZE	a1	a2	a3	h1	h2	Weight		Bolt Size
											A	B	
HRS4A-30	4	1.2	30.0	-	-								
HRS4A-38		1.5	38.0	1-1/2	-								
HRS4A-42		1.7	42.0	-	-								
HRS4A-44.5		1.8	44.5	1-3/4	-								
HRS4A-48.3		1.9	48.3	-	1-1/2								
HRS4A-50.8		2.0	50.8	2	-								
HRS4A-54		2.1	54.0	-	-	3.56	5.51	4.52	1.77	2.17	4.33	0.39	7/16-14X4
HRS4A-57		2.2	57.0	2-1/4	-	(90.5)	(140)	(115)	(45)	(55)	(110)	(10)	(M12X100)
HRS4A-60.3		2.4	60.3	-	2								
HRS4A-63.5		2.5	63.5	2-1/2	-								
HRS4A-65		2.6	65.0	-	-								
HRS4A-70		2.8	70.0	2-3/4	-								
HRS5A-38	5	1.5	38.0	1-1/2	-								
HRS5A-66		2.6	66.0	-	-								
HRS5A-70		2.8	70.0	-	-	4.80	7.09	5.98	2.36	2.76	5.51	0.39	5/8-11X5-1/2
HRS5A-73		2.9	73.0	-	2-1/2	(122)	(180)	(152)	(60)	(70)	(140)	(10)	(M16X130)
HRS5A-76.1		3.0	76.1	3	-								
HRS5A-88.9		3.5	88.9	-	3								
HRS6A-65	6	2.6	65.0	-	-								
HRS6A-96		3.8	96.0	-	-	6.61	8.86	8.07	3.15	3.94	7.87	0.59	3/4-10X7-1/2
HRS6A-101.6		4.0	101.6	4	3-1/2	(168)	(225)	(205)	(80)	(100)	(200)	(15)	(M20X190)
HRS6A-108		4.3	108.0	4-1/4	-								
HRS6A-114.3	4.5	114.3	4-1/2	4									
HRS7A-90	7	3.5	90.0	-	-								
HRS7A-136		5.4	136.0	-	-	8.07	10.63	9.92	3.54	4.53	9.06	0.59	7/8-9X8-1/2
HRS7A-139.7		5.5	139.7	-	5	(205)	(270)	(252)	(90)	(115)	(230)	(15)	M20X220
HRS7A-168		6.6	168.0	-	6								
HRS8A-193.7	8	7.6	193.7	7-5/8	7	10.43	13.39	12.60	4.72	6.30	12.60	0.98	M30X300
HRS8A-219.1		8.6	219.1	-	8	(265)	(340)	(320)	(120)	(160)	(320)	(25)	

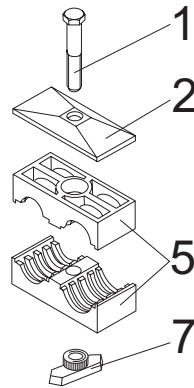
HRZ SERIES TWIN SUPPORTS



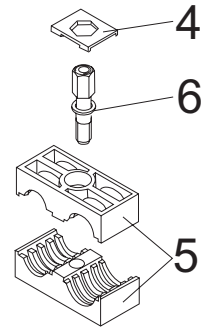
A
Twin Clamp with
Weld Plate



S
Twin Clamp without
Weld Plate



R
Twin Clamp for
C-Rail Mounting
(order C-Rail separately)



SM
Twin Clamp
Stacking Module

A maximum of 3 stacking modules is recommended

Parts Legend	
1 Hex Head Bolt	5 Clamp Pair
2 Top Plate	6 Stacking Bolt
3 Weld Plate	7 C-Rail Nut
4 Safety Plate	

***Clamp Material Available**

- Polypropylene
- Polyamide
- Aluminum

***Metal Component Material**

- Carbon Steel
- 316 Stainless Steel

Model Code: HRZ Series

Series _____
 HRZ = Standard duty twin clamp with ribbed bore

Size Family _____
 0 to 5 (refer to table on next page)

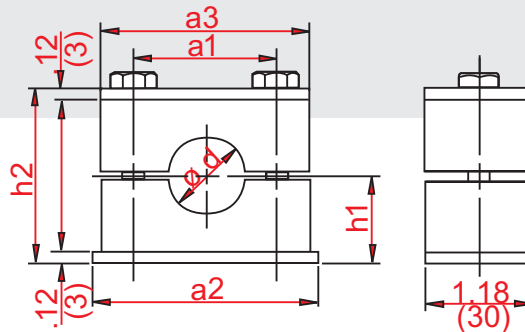
Arrangement _____
 A - Twin clamp with weld plate
 A1 - Twin clamp without weld plate
 A1TM - C-Rail mounted twin clamp
 D - Twin clamp stacking module

Bore Size (in mm) _____
 (refer to table on next page)

HRZ 1 A 9.5 - 9.5

HRZ SERIES DIMENSIONS

HRZ



Part No.	SIZE	Po.	MM	OD	PIPE SIZE	a1	a2	a3	h1	h2	h3	Bolt Size
HRZ1A-06	1	0.24	6.0	-	-							
HRZ1A-6.4		0.25	6.4	1/4	-							
HRZ1A-08		0.32	8.0	5/16	-							
HRZ1A-9.5		0.37	9.5	3/8	-	0.79	1.46	1.42	0.73	1.06	1.69	1/4-20X1-1-1/2
HRZ1A-10		0.39	10.0	-	1/8	(20)	(37)	(36)	(18.5)	(27)	(43)	(M6x35)
HRZ1A-10.3		0.41	10.3	-	1/8							
HRZ1A-12		0.47	12.0	-	-							
HRZ2A-12.7	2	0.5	12.7	1/2	-							
HRZ2A-13.7		0.54	13.7	-	1/4							
HRZ2A-14		0.55	14.0	2-1/2	-	1.17	2.17	2.09	0.71	1.02	1.71	5/16-18X1-1/4
HRZ2A-15		0.59	15.0	-	-	(29)	(55)	(53)	(18)	(26)	(43.5)	(M8X35)
HRZ2A-16		0.63	16.0	5/8	-							
HRZ2A-17.1	0.67	17.1	-	3/8								
HRZ3A-19	3	0.75	19.0	3/4	-							
HRZ3A-20		0.79	20.0	-	-							
HRZ3A-21.3		0.84	21.3	-	1/2	1.42	2.76	2.64	0.93	1.46	2.15	5/16-18X1-3/4
HRZ3A-22		0.87	22.0	7/8	-	(36)	(70)	(67)	(23.5)	(37)	(54.5)	(M8X45)
HRZ3A-23		0.91	23.0	-	-							
HRZ3A-25		0.98	25.0	-	-							
HRZ3A-25.4	1	25.4	1	-								
HRZ4A-26.7	4	1.05	26.7	-	3/4	1.77	3.35	3.23	1.02	1.65	2.34	5/16-18X2
HRZ4A-28		1.1	28.0	-	-	(45)	(85)	(82)	(26)	(42)	(59.5)	(M8X45)
HRZ4A-30		1.18	30.0	-	-							
HRZ5A-32	5	1.26	32.0	1-1/4	-							
HRZ5A-33.7		1.33	33.7	-	1	2.20	4.33	4.17	1.26	2.13	2.81	5/16-18X2-1/2
HRZ5A-35		1.38	35.0	-	-	(56)	(110)	(106)	(32)	(54)	(71.5)	(M8X60)
HRZ5A-38		1.5	38.0	1-1/2	-							
HRZ5A-40		1.65	40.0	-	-							
HRZ5A-42	1.65	42.0	-	1-1/4								