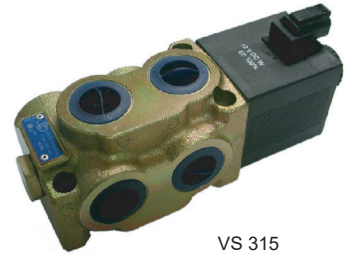
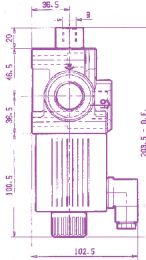
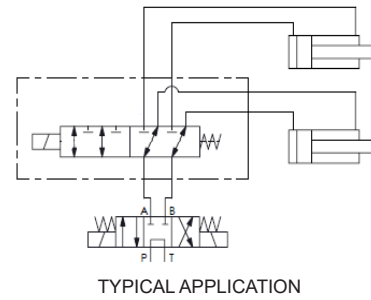


6 WAYS / 2 POSITIONS

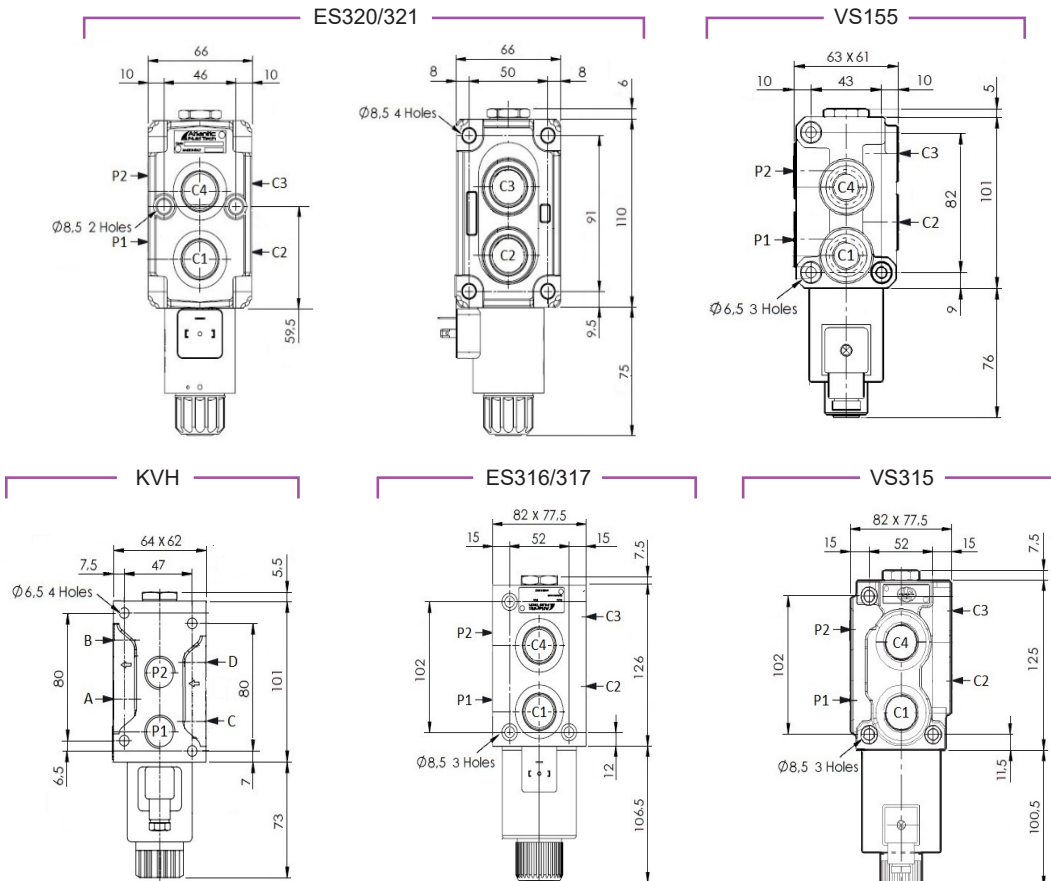
MAX GPM	MAX PSI	PORTS	VOLTAGE	PART NUMBER	CIRCUIT
13.5	3625	SAE-08	12V DC	KVH6-S08-DC1200	
				ES000320	
			24V DC	KVH6-S08-DC2400	
				ES000321	
16		12V DC	SAE-12	VS155-12VDC	
				24V DC	
37		12V DC	SAE-12	ES000316	
				VS315-12VDC	
	24V DC			ES000317	
	VS315-24VDC				
50	1" BSP	12V DC	VS400-12VDC		
			24V DC	VS400-34VDC	

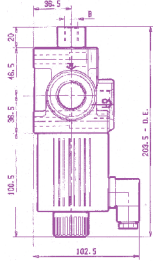


VS 315



DIMENSIONS

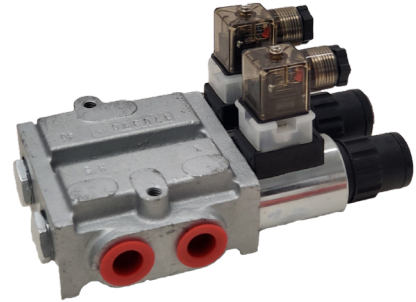
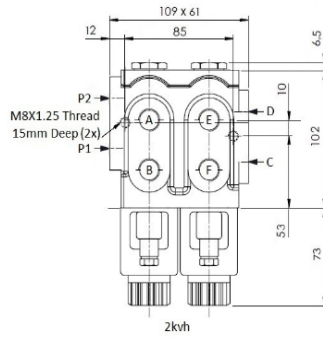
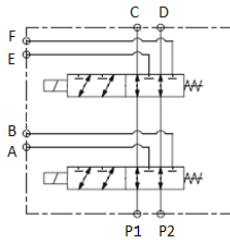




MONOBLOCK 8 WAYS

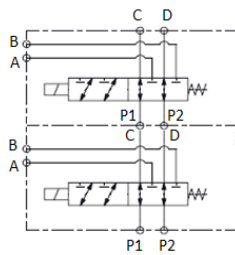
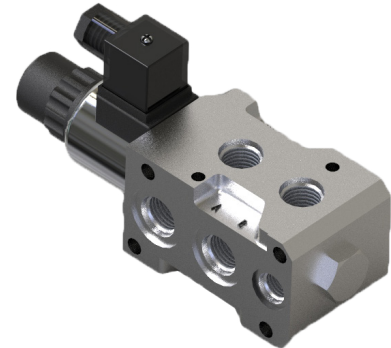
MAX GPM	MAX PSI	PORTS	VOLTAGE	PART NUMBER
13.5	3625	SAE-08	12V DC*	2KVH6-DC12-S08

*24V AVAILABLE FROM STOCK

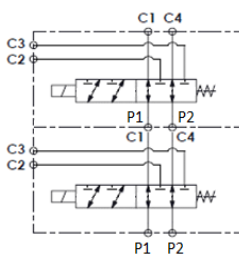


STACKABLE 6 WAYS

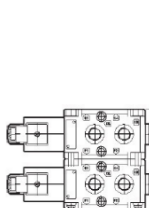
MAX GPM	MAX PSI	PORTS	VOLTAGE	WAYS	PART NUMBER
6.5	3625	SAE-04	12V DC*	6	VS125F-12VDC
13.5		SAE-08	12V DC*	6	MOP066-S08-I1-DC12
				8	MOP066-S08-I2-DC12
				VS245F-12VDC	
			12V DC	6	ES000318
				24V DC	ES000319
			21	SAE-10	12V DC *
24		12V DC*	8		SVK10-DC12-S10-N2
			6		VS285F-12VDC
					ES000312
24V DC		ES000313			



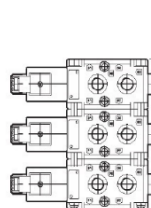
MOP & SKV MODELS
8 WAYS SHOWN



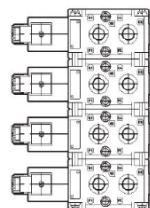
ES & VS MODELS
8 WAYS SHOWN



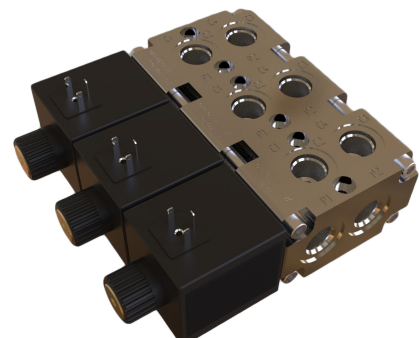
8 ways



10 ways

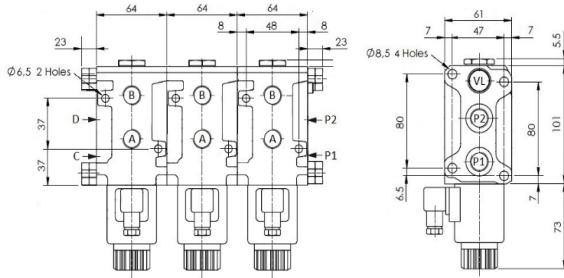


12 ways

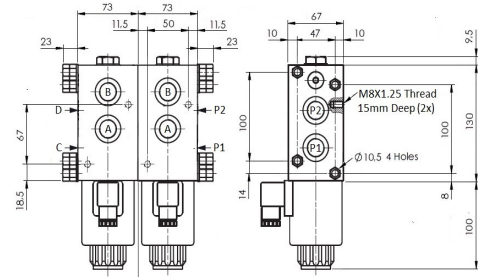


DIMENSIONS

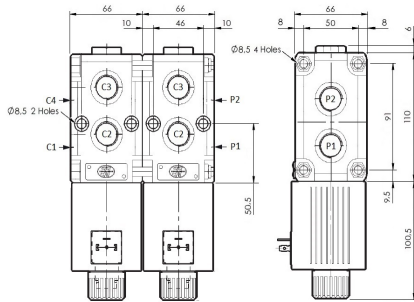
SKV 8 WAYS



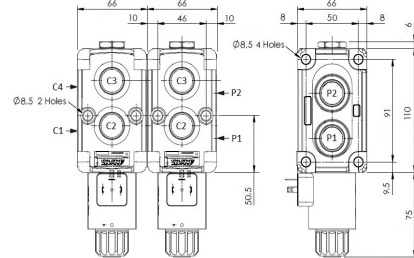
MOP 10 WAYS



VS285F 8 WAYS



ES 8 WAYS



VS245F 8 WAYS

