

# SNOW PLOW LIGHT, LED, 7", 1 STUD MOUNT, KIT

LED  
SNOW PLOW

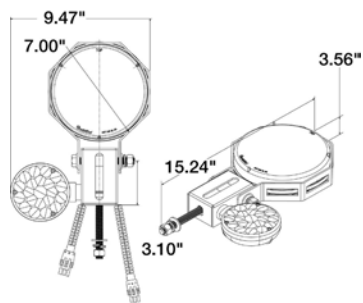


RIGHT-HAND SIDE

LEFT-HAND SIDE



SNOW PLOW KIT



- Advanced white LED technology reduces concerns with EMI and offers substantially longer life than comparable incandescent lamps
- Lamps are hardwired with fully encapsulated electronics to protect from damage caused by corrosive elements and moisture
- Pedestal lamp (front/park/turn) features a unique LED diode array with a full pattern appearance
- Complex reflector design spreads light in a clean, more uniform pattern
- DOT-compliant LED Headlight provides a brighter, crisper and whiter light output closer to the color temperature of daylight, dramatically improving light projection distance and increasing visibility

## RIGHT HAND SIDE

Part Number	Lens Color	Lens Material	Lamp Connection	Plug Side 1	Plug Side 2	Volts	Maps Major/Minor	Mount Material	Mount Color	Housing Material
80878	Clear	PC	Hardwired	Hardwired	Packard Connector 12020829	12 24	3.6/1.8	Steel	Black	Die-Cast Aluminum

## LEFT HAND SIDE

Part Number	Lens Color	Lens Material	Lamp Connection	Plug Side 1	Plug Side 2	Volts	Maps Major/Minor	Mount Material	Mount Color	Housing Material
80879	Clear	PC	Hardwired	Hardwired	Packard Connector 12020829	12 24	3.6/1.8	Steel	Black	Die-Cast Aluminum

## SNOW PLOW KIT

Part Number	Lens Color	Lens Material	Lamp Connection	Plug Side 1	Plug Side 2	Volts	Maps Major/Minor	Mount Material	Mount Color	Housing Material
80880	Clear	PC	Hardwired	Hardwired	Packard Connector 12020829	12 24	3.6/1.8	Steel	Black	Die-Cast Aluminum

**80880 Kit Includes**

80878 light, 80879 light, 80898 harness

# SNOW PLOW LIGHT, LED, 7", 1 STUD MOUNT, HEATED LENS, KIT

LED

SNOW PLOW



TRUCK-LITE  
1 YEAR  
WARRANTY

KIT

SNOW PLOW KIT

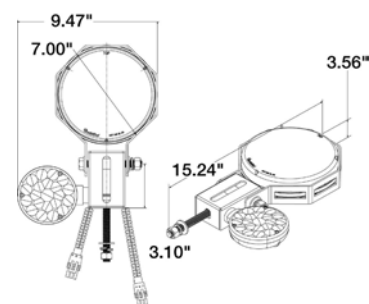


TRUCK-LITE  
1 YEAR  
WARRANTY

RIGHT-HAND SIDE

LEFT-HAND SIDE

- World's first heated-lens LED headlight heats constantly under 10°C/50°F
- Provides a robust, LED, solid-state solution to plowing applications in need of durable lighting that can withstand shock and vibration, replacing headlights and turn signal lights blocked by the plow assembly
- Utilizes Truck-Lite's 27275C seven inch round heated LED headlight
- Heated lens prevents snow, ice, and slush buildup
- Popular for utility/municipality use and more, as LED design draws less current, allowing more power for other vehicle requirements
- DOT-compliant LED headlight provides a brighter, crisper and whiter light output, closer to the color temperature of daylight, dramatically improving light projection distance and increasing visibility
- Advanced white LED technology reduces concerns with EMI and offers substantially longer life than comparable incandescent lights
- Complex reflector design spreads light in a clean, more uniform pattern
- Pedestal light (front/park/turn) features a unique LED diode array with a full pattern appearance
- Lights are hardwired, with fully encapsulated electronics to protect from damage caused by corrosive elements and moisture
- Corrosion-resistant, powder-coated aluminum housing dissipates heat efficiently
- Impact-resistant polycarbonate lenses protect against damage caused by debris and other hazards



## RIGHT HAND SIDE

Part Number	Lens Color	Lens Material	Lamp Connection	Plug Side 1	Plug Side 2	Volts	Maps Major/Minor	Mount Material	Mount Color	Housing Material
80988	Clear	PC	Hardwired	Hardwired	Packard Connector 12020829/ Packard Connector 12015793	12 24	3.8 / 2.1	Steel	Black	Die-Cast Aluminum

## LEFT HAND SIDE

Part Number	Lens Color	Lens Material	Lamp Connection	Plug Side 1	Plug Side 2	Volts	Maps Major/Minor	Mount Material	Mount Color	Housing Material
80989	Clear	PC	Hardwired	Hardwired	Packard Connector 12020829/ Packard Connector 12015793	12 24	3.8 / 2.1	Steel	Black	Die-Cast Aluminum

## SNOW PLOW KIT

Part Number	Lens Color	Lens Material	Lamp Connection	Plug Side 1	Plug Side 2	Volts	Maps Major/Minor	Mount Material	Mount Color	Housing Material
80990	Clear	PC	Hardwired	Hardwired	Packard Connector 12020829/ Packard Connector 12015793	12 24	3.8 / 2.1	Steel	Black	Die-Cast Aluminum

80990 Kit Includes

80988 light, 80989 light, 80898 harness

# SNOW PLOW LIGHT, LED, 5" X 7", 1 STUD MOUNT, KIT

LED

SNOW PLOW



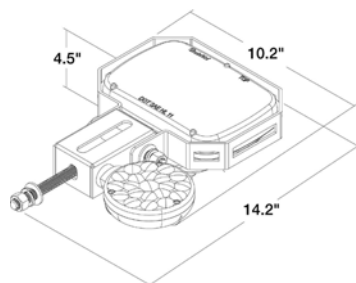
RIGHT-HAND SIDE



LEFT-HAND SIDE



SNOW PLOW KIT



- Advanced white LED technology eliminates EMI and offers substantially longer life than comparable incandescent lamps
- Both lamps are hardwired with fully encapsulated electronics to protect from damage caused by corrosive elements and moisture
- Brighter and crisper light output improves light projection distance and increases visibility
- Complex reflector design spreads light in a clean, more uniform pattern
- Pedestal lamp features a unique LED diode array with a full pattern
- Provides a robust LED solid-state solution to applications in need of durable lighting that can withstand shock and vibration popular for utility/municipality use
- LED design draws less current and allows more power for other vehicle requirements

## LEFT HAND SIDE

Part Number	Lens Color	Lens Material	Lamp Connection	Plug Side 1	Plug Side 2	Volts	Maps Major/Minor	Mount Material	Mount Color	Housing Material
80873	Clear	PC	Hardwired	Hardwired	Packard Connector 12020829	12 24	3.6/1.8	Steel	Black	Aluminum/ Die Cast Zinc

## RIGHT HAND SIDE

Part Number	Lens Color	Lens Material	Lamp Connection	Plug Side 1	Plug Side 2	Volts	Maps Major/Minor	Mount Material	Mount Color	Housing Material
80874	Clear	PC	Hardwired	Hardwired	Packard Connector 12020829	12 24	3.6/1.8	Steel	Black	Aluminum/ Die Cast Zinc

## SNOW PLOW KIT

Part Number	Lens Color	Lens Material	Lamp Connection	Plug Side 1	Plug Side 2	Volts	Maps Major/Minor	Mount Material	Mount Color	Housing Material
80875	Clear	PC	Hardwired	Hardwired	Packard Connector 12020829	12 24	3.6/1.8	Steel	Black	Aluminum/ Die Cast Zinc

80880 Kit Includes

80873 light, 80874 light, 80898 harness

# SNOW PLOW, HALOGEN, 4"X 6", 1 STUD MOUNT, ATL-DRL, KIT

HALOGEN

SNOW PLOW



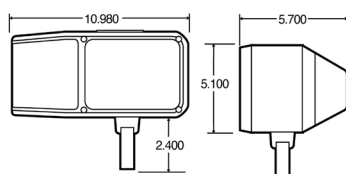
SNOW PLOW KIT



RIGHT-HAND SIDE



LEFT-HAND SIDE



- High-impact polycarbonate and steel construction
- Features high/low beam halogen headlights and integrated park/turn lamps
- Adapts easily to vehicle equipped with daytime running light (DRL) systems
- Unique plug-in adapter design allows installation without cutting or splicing existing wiring
- Mounts on one 1/2" - 13 stud
- Normal DRL function transferred to snow plow lights
- Use matrix to determine appropriate adapter plug kit, sold separately
- Wiring system features weatherproof Packard connectors to prevent corrosion problems
- DRL kit includes a switch and a heavy-duty flasher
- Not compatible with vehicles using quad headlight or separate DRL headlights

## LEFT HAND SIDE

Part Number	Lens Color	Lens Material	Lamp Connection	Plug Side 1	Plug Side 2	Volts	Maps Major/Minor	Mount Material	Mount Color	Housing Material
80910	Clear	PC	Hardwired	Hardwired	Packard Connector 12010975	12	5.08/3.52	Steel	Black	PC

## RIGHT HAND SIDE

Part Number	Lens Color	Lens Material	Lamp Connection	Plug Side 1	Plug Side 2	Volts	Maps Major/Minor	Mount Material	Mount Color	Housing Material
80920	Clear	PC	Hardwired	Hardwired	Packard Connector 12010975	12	5.08/3.52	Steel	Black	PC

## SNOW PLOW KIT

Part Number	Lens Color	Lens Material	Lamp Connection	Plug Side 1	Plug Side 2	Volts	Maps Major/Minor	Mount Material	Mount Color	Housing Material
80900	Clear	PC	Hardwired	Hardwired	Packard Connector 12010975	12	5.08/3.52	Steel	Black	PC

### 80900 Kit Includes

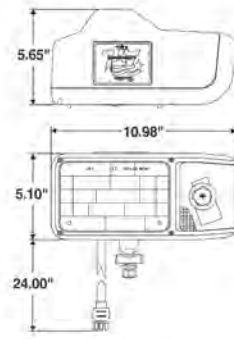
80910 light, 80920 light, 80930 harness, 97224 switch, 80940 hardware

# SNOW PLOW, HALOGEN, 4"X 6" 1 STUD MOUNT, SIX POLE .180 BULLET MOLDED PLUG



RIGHT-HAND SIDE

LEFT-HAND SIDE



- High-impact polycarbonate and steel construction
- Features high beam/low beam halogen headlights and integrated park/turn lamps
- Lamp functions as a snow plow, all-terrain light or off-road/auxiliary light
- Mounts on one 1/2"-13 stud
- Kit also includes a switch, a grommet that protects wiring at the switch and a heavy-duty flasher
- One-piece harness runs from switch to the front of the vehicle and attaches with Scotch lock connectors

## LEFT HAND SIDE

Part Number	Lens Color	Lens Material	Lamp Connection	Plug Side 1	Plug Side 2	Volts	Maps Major/Minor	Mount Material	Mount Color	Housing Material
80810	Clear	PC	Hardwired	Hardwired	Six Pole .180 Bullet Molded Plug	12	5.08/3.52	Steel	Black	PC

## RIGHT HAND SIDE

Part Number	Lens Color	Lens Material	Lamp Connection	Plug Side 1	Plug Side 2	Volts	Maps Major/Minor	Mount Material	Mount Color	Housing Material
80820	Clear	PC	Hardwired	Hardwired	Six Pole .180 Bullet Molded Plug	12	5.08/3.52	Steel	Black	PC

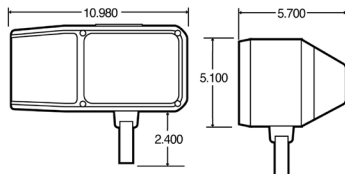
# SNOW PLOW, HALOGEN, 4"X 6" 1 STUD MOUNT, SIX POLE .180 BULLET MOLDED PLUG, ECONOMY, KIT

HALOGEN

SNOW PLOW



## SNOW PLOW KIT



- High-impact polycarbonate and steel construction
- Features high beam/low beam halogen headlights and integrated park/turn lamps
- Mounts on one 1/2"-13 stud
- Lamp functions as snow plow, all-terrain or an off-road/auxiliary light
- Kit also includes a switch
- Two vehicle harnesses run from lamps and attach with twist-type connections

## LEFT HAND SIDE

Part Number	Lens Color	Lens Material	Lamp Connection	Plug Side 1	Plug Side 2	Volts	Maps Major/Minor	Mount Material	Mount Color	Housing Material
80860	Clear	PC	Hardwired	Hardwired	Six Pole .180 Bullet Molded Plug	12	5.08/3.52	Steel	Black	PC

## RIGHT HAND SIDE

Part Number	Lens Color	Lens Material	Lamp Connection	Plug Side 1	Plug Side 2	Volts	Maps Major/Minor	Mount Material	Mount Color	Housing Material
80870	Clear	PC	Hardwired	Hardwired	Six Pole .180 Bullet Molded Plug	12	5.08/3.52	Steel	Black	PC

## SNOW PLOW KIT

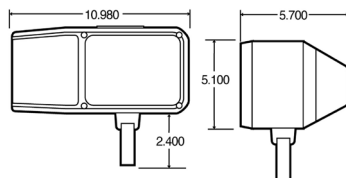
Part Number	Lens Color	Lens Material	Lamp Connection	Plug Side 1	Plug Side 2	Volts	Maps Major/Minor	Mount Material	Mount Color	Housing Material
80888	Clear	PC	Hardwired	Hardwired	Six Pole .180 Bullet Molded Plug	12	5.08/3.52	Steel	Black	PC

**80900 Kit Includes**  
 80860 light, 80870 light, 80831 harness, 80844 hardware

# SNOW PLOW, HALOGEN, 4"X 6" 1 STUD MOUNT, SIX POLE .180 BULLET MOLDED PLUG, UNIVERSAL, KIT



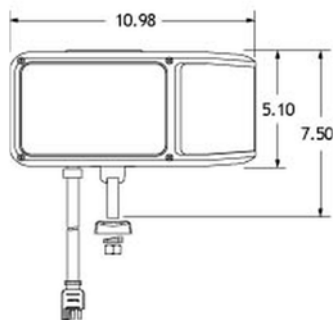
80800



- High-impact polycarbonate and steel construction
- Features high beam/low beam halogen headlights and integrated park/turn lamps
- Lamp functions as a snow plow, all-terrain light, or off-road/auxiliary light
- Mounts on one 1/2"-13 stud
- Kit also includes a switch, a grommet that protects wiring at the switch and a heavy-duty flasher
- One-piece harness runs from switch to the front of the vehicle and attaches with Scotch lock connectors



80839



- Incorporates complex reflector technology to help reduce driver fatigue
- Increased beam pattern output and improved beam pattern formation
- High-impact polycarbonate and steel construction
- Features high beam/low beam halogen headlights and integrated park/turn lamps
- Mounts on one 1/2" - 13 stud
- Lamp functions as a snow plow lights, all-terrain, or an off-road/auxiliary lights
- Kit also includes a switch and wiring harness kit

## 80800

Part Number	Lens Color	Lens Material	Lamp Connection	Plug Side 1	Plug Side 2	Volts	Maps Major/Minor	Mount Material	Mount Color	Housing Material
80800	Clear	PC	Hardwired	Hardwired	Six Pole .180 Bullet Molded Plug	12	5.08/3.52	Steel	Black	PC

### 80800 Kit Includes

80810 light, 80820 light, 80830 harness, 80840 hardware

## 80839

Part Number	Lens Color	Lens Material	Lamp Connection	Plug Side 1	Plug Side 2	Volts	Maps Major/Minor	Mount Material	Mount Color	Housing Material
80893	Clear	Glass	Hardwired	Hardwired	Six Pole .180 Bullet Molded Plug	12	3.8/3.2	Steel	Black	PC

### 80839 Kit Includes

27010 light, 80831 harness, 80844 hardware

# SNOW PLOW, HALOGEN, 4"X 6" 1 STUD MOUNT, PACKARD CONNECTOR 12065158, UNIVERSAL, KIT

HALOGEN

SNOW PLOW

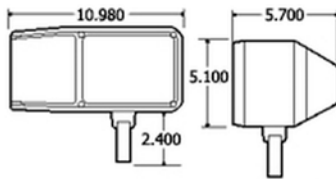


RIGHT-HAND SIDE



LEFT-HAND SIDE

SNOW PLOW KIT



- Features weatherproof connectors
- High-impact polycarbonate and steel construction
- Features high beam/low beam halogen headlights and integrated park/turn lamps
- Mounts on one 1/2" - 13 stud
- Lamp functions as snow plow, all-terrain light, or off-road/auxiliary light
- Kit also includes a switch, a grommet that protects wiring at the switch and a heavy-duty flasher
- One-piece harness runs from switch to the front of the vehicle and attaches with Packard weather proof connectors

## LEFT HAND SIDE

Part Number	Lens Color	Lens Material	Lamp Connection	Plug Side 1	Plug Side 2	Volts	Maps Major/Minor	Mount Material	Mount Color	Housing Material
80848	Clear	PC	Hardwired	Hardwired	Packard Connector 12065158	12	5.08/3.52	Steel	Black	PC

## RIGHT HAND SIDE

Part Number	Lens Color	Lens Material	Lamp Connection	Plug Side 1	Plug Side 2	Volts	Maps Major/Minor	Mount Material	Mount Color	Housing Material
80849	Clear	PC	Hardwired	Hardwired	Packard Connector 12065158	12	5.08/3.52	Steel	Black	PC

## SNOW PLOW KIT

Part Number	Lens Color	Lens Material	Lamp Connection	Plug Side 1	Plug Side 2	Volts	Maps Major/Minor	Mount Material	Mount Color	Housing Material
80805	Clear	PC	Hardwired	Hardwired	Packard Connector 12065158	12	5.08/3.52	Steel	Black	PC

### 80900 Kit Includes

80848 light, 80849 light, 80839 harness, 80840 hardware