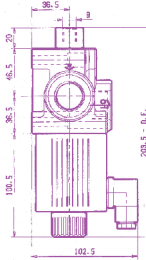
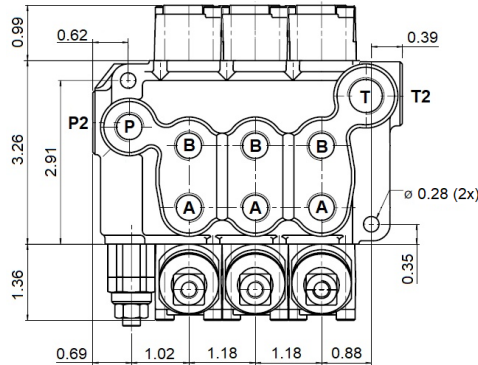


BM20 MANUAL VALVES

- OUR SMALLEST MANUAL VALVE
- ZINC COATED
- DOUBLE ACTING SPOOL, SPRING RETURN WITH LEVERS
- OPEN/CLOSED CENTER
- POWER BEYOND OPTION
- HANDLES INCLUDED
- RELIEF SET TO 2550 PSI



PART NUMBER	NB OF SPOOL	GPM MAX	PSI MAX	PORTS
902457	1	5.2	4700	P, T, A, B: SAE-06 P2 & T2: SAE-08
902458	2			
902459	3			
90211008	4			
90211009	5			
902110010	6			
902110011	7			



MB2 MANUAL VALVES

- BLACK PAINTED
- DOUBLE ACTING SPOOL, SPRING RETURN WITH LEVERS
- OPEN/CLOSED CENTER. POWER BEYOND OPTION
- HANDLES INCLUDED
- RELIEF SET TO 2550 PSI
- OPEN CENTER ONLY, NO POWER BEYOND

FITS "SD4"
WALVOIL FOOTPRINT

LOTS OF OPTIONS AVAILABLE

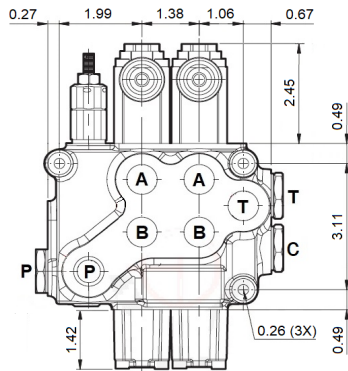
PART NUMBER	NB OF SPOOL	GPM MAX	PSI MAX	PORTS
MB2/1S-3/18L/E8-M1	1	12	3600	SAE-08



MB4 MANUAL VALVES

- BLACK PAINTED
- DOUBLE ACTING SPOOL, SPRING RETURN WITH LEVERS
- OPEN/CLOSED CENTER. POWER BEYOND OPTION
- HANDLES INCLUDED
- RELIEF SET TO 2550 PSI

PART NUMBER	NB OF SPOOL	GPM MAX	PSI MAX	PORTS
MB4/1S-3/18L/E8-M3	1	16	4600	SAE-08
MB4/2S-3/18L/E8-M3	2			
MB4/3S-3/18L/E8-M3	3			
MB4/4S-3/18L/E8-M3	4			
MB4/5S-3/18L/E8-M3	5			
MB4/6S-3/18L/E8-M3	6			



FITS "HCD10" HYDROCONTROL FOOTPRINT

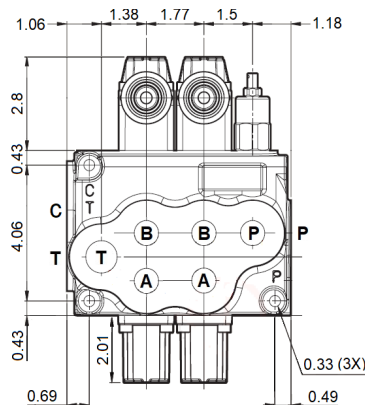
LOTS OF OPTIONS AVAILABLE



MB5 MANUAL VALVES

- BLACK PAINTED
- DOUBLE ACTING SPOOL, SPRING RETURN WITH LEVERS
- OPEN/CLOSED CENTER. POWER BEYOND OPTION
- HANDLES INCLUDED
- RELIEF SET TO 2550 PSI

PART NUMBER	NB OF SPOOL	GPM MAX	PSI MAX	PORTS
MB5/1S-3/18L/E8-M3	1	21	4600	P&T:SAE-12 A&B:SAE-10
MB5/2S-3/18L/E8-M3	2			
MB5/3S-3/18L/E8-M3	3			
MB5/4S-3/18L/E8-M3	4			
MB5/5S-3/18L/E8-M3	5			
MB5/6S-3/18L/E8-M3	6			



FITS "SD11" WALVOIL FOOTPRINT

LOTS OF OPTIONS AVAILABLE

