

HPM3

FIXED DISPLACEMENT BENT AXIS PISTON MOTORS

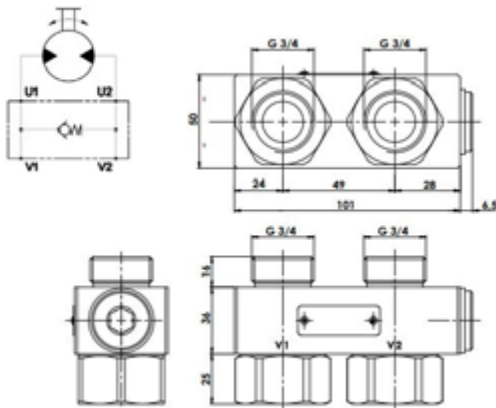
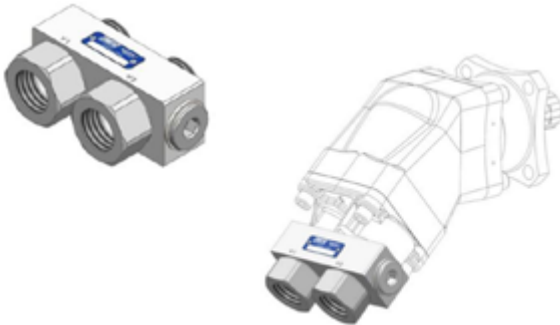


FEATURES:

- AVAILABLE WITH ISO, SAE AND DIN STANDARD MOUNTING
- HIGH SPEED AND HIGH EFFICIENCY MOTORS
- SMOOTH OPERATION OVER THE ENTIRE SPEED RANGE
- LONG LIFE WITH HIGH PERFORMANCES

DISPLACEMENT IN ³ (CM ³) / REV.	MAX			WEIGHT KG (LB)	
	PSI (RATED)	PSI PEAK	RPM		
0.8 (12)	5075	5800	6800	8.5 (18)	
1.1 (17)				11.5 (24)	
1.5 (25)				5500	20 (44)
2.1 (34)			4500		30.5 (66)
2.5 (40)					38.5 (84)
3.9 (64)					
5.1 (80)					
5.5 (91)					
6.6 (108)					
7.9 (130)					

ANTI-CAVITATION VALVE



SPEED SENSOR



APPLICATIONS

- SPEED DETECTION OF GEARWHEELS WITH SMALL MODULE AND HIGH RESOLUTION. APPLICATIONS IN VEHICLES, MOBILE OPERATING MACHINES AND HYDRAULIC DRIVES.

FEATURES:

- CHOICE OF DIFFERENT OUTPUT SIGNAL
- SMALL SIZE
- ALIGNMENT REQUIRED
- WIDE TEMPERATURE RANGE
- WIDE FREQUENCY RANGE