

ELECTRIC BRAKE ASSEMBLIES













MADE IN

U. S. A.



AL-KO
GENUINE PARTS
by DEXTER

DESCRIPTION	7" x 1 1/4"	10" x 2 1/4"	10" x 2 1/4"	10" x 2 1/4"	10" x 2 1/4"
CAPACITY PER PAIR	2.2K	3.5K	NEV-R-ADJUST™	3.5K	4.4K
BOXED LEFT HAND ITEM NO.	-	6400030-03	-	-	-
BOXED LEFT HAND ID NO.	-	K23-026-00	-	-	-
BOXED RIGHT HAND ITEM NO.	-	6400033-01	-	-	-
BOXED RIGHT HAND ID NO.	-	K23-027-00	-	-	-
LEFT HAND ITEM NO.	6400026	6400030	6400102	REPAIR PARTS ONLY	6400133
LEFT HAND ID NO.	023-047-00	023-026-00	023-468-00	K363393.1	023-462-00
RIGHT HAND ITEM NO.	6400027	6400033	6400103	REPAIR PARTS ONLY	6400134
RIGHT HAND ID NO.	023-048-00	023-027-00	023-469-00	K363393.2	023-463-00
MAGNET KIT					
ITEM NO.	6450170-01	6450165-01	6450165-01	6450165-01	6450161-01
ID NO.	K71-057-00	K71-104-00	K71-104-00	K71-104-00	K71-125-00
SHOE & LINING KIT					
LEFT HAND ITEM NO.	6450075	6450066	6450293	6450069	6450064
LEFT HAND ID NO.	K71-045-00	K71-047-00	K71-681-00	K568112	K71-672-00
RIGHT HAND ITEM NO.	6450075	6450066	6450294	6450069	6450064
RIGHT HAND ID NO.	K71-045-00	K71-047-00	K71-682-00	K568112	K71-672-00
Complete Breakdown on:	Page B-5	Page B-6	Page B-7	Page B-8	Page B-9













MADE IN

U. S. A.















D Park
DEXTER AXLE









DESCRIPTION	12" x 2"	12" x 2"	12" x 2"	12" x 2"	12" x 2"
CAPACITY PER PAIR	6K	5.2-6K	6K NEV-R-ADJUST™	7K	7K NEV-R-ADJUST™
BOXED LEFT HAND ITEM NO.	6400010-01	-	6400081-03	6400037-03	6400083-03
BOXED LEFT HAND ID NO.	K23-105-00	-	K23-458-00	K23-180-00	K23-464-00
BOXED RIGHT HAND ITEM NO.	6400036-01	-	6400082-03	6400038-03	6400084-03
BOXED RIGHT HAND ID NO.	K23-106-00	-	K23-459-00	K23-181-00	K23-465-00
LEFT HAND ITEM NO.	6400010	6400110	6400081	6400037	6400083
LEFT HAND ID NO.	023-105-00	023-112-00	023-458-00	023-180-00	023-464-00
RIGHT HAND ITEM NO.	6400036	6400111	6400082	6400038	6400084
RIGHT HAND ID NO.	023-106-00	023-113-00	023-459-00	023-181-00	023-465-00
MAGNET KIT					
ITEM NO.	6450166-01	6450166-01	6450166-01	6450161-01	6450161-01
ID NO.	K71-105-00	K71-105-00	K71-105-00	K71-125-00	K71-125-00
SHOE & LINING KIT					
LEFT HAND ITEM NO.	6450084	6450084	6450309	6450084	6450311
LEFT HAND ID NO.	K71-127-00	K71-127-00	K71-673-00	K71-127-00	K71-675-00
RIGHT HAND ITEM NO.	6450084	6450084	6450310	6450084	6450312
RIGHT HAND ID NO.	K71-127-00	K71-127-00	K71-674-00	K71-127-00	K71-676-00
Complete Breakdown on:	Page B-10	Page B-11	Page B-12	Page B-13	Page B-14

ELECTRIC BRAKE ASSEMBLIES



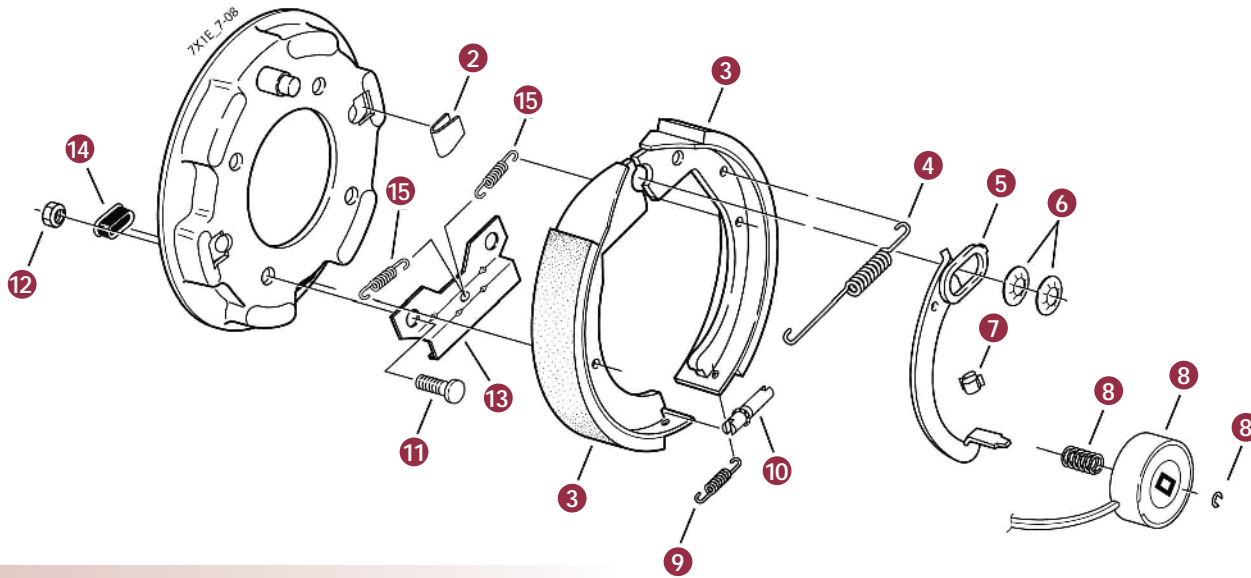
DESCRIPTION	12" x 2"	12 1/4" x 2 1/2"	12" x 3 3/8"	12 1/4" x 3 3/8"	12 1/4" x 3 3/8"
CAPACITY PER PAIR	6K	7.2K	8K	8K 	9-10K GD 
BOXED LEFT HAND ITEM NO.	-	-	-	-	6400044-01
BOXED LEFT HAND ID NO.	-	-	-	-	K23-450-00
BOXED RIGHT HAND ITEM NO.	-	-	-	-	6400045-01
BOXED RIGHT HAND ID NO.	-	-	-	-	K23-451-00
LEFT HAND ITEM NO.	6400121	6400057	6400056	6400039	6400044
LEFT HAND ID NO.	023-105-09	023-428-00	K363601	023-434-00	023-450-00
RIGHT HAND ITEM NO.	6400122	6400058	6400055	6400040	6400045
RIGHT HAND ID NO.	023-106-09	023-429-00	K363602	023-435-00	023-451-00
MAGNET KIT					
ITEM NO.	6450288	6450160-01	6450162	6450173-01	6450174-01
ID NO.	K568111	K71-441-00	K568252	K71-375-00	K71-376-00
SHOE & LINING KIT					
LEFT HAND ITEM NUMBER	6450072	6450289	6450057	6450059	6450059
LEFT HAND ID NO.	K568126	K71-497-00	K363924	K71-499-00	K71-499-00
RIGHT HAND ITEM NUMBER	6450072	6450290	6450057	6450060	6450060
RIGHT HAND ID NO.	K568126	K71-496-00	K363924	K71-498-00	K71-498-00
Complete Breakdown on:	Page B-15	Page B-16	Page B-17	Page B-18	Page B-20



DESCRIPTION	12 1/4" x 3 1/2"	12 1/4" x 4"	12 1/4" x 5"	12 1/4" x 5"
CAPACITY PER PAIR	10-12K	10K	12K	15K
LEFT HAND ITEM NUMBER	6400005	6400019	6400023	6400025
LEFT HAND ID NO.	K568255.2	023-438-00	023-442-00	023-446-00
RIGHT HAND ITEM NUMBER	6400053	6400018	6400022	6400024
RIGHT HAND ID NO.	K568255.1	023-439-00	023-443-00	023-447-00
MAGNET KIT				
ITEM NUMBER	6450162	6450174-01	6450169-01	6450183-01
ID NO.	K568252	K71-376-00	K71-377-00	K71-378-00
SHOE & LINING KIT				
LEFT HAND ITEM NUMBER	6450156	6450041	6450048	6450048
LEFT HAND ID NO.	K568251	K71-501-00	K71-503-00	K71-503-00
RIGHT HAND ITEM NUMBER	6450156	6450042	6450047	6450047
RIGHT HAND ID NO.	K568251	K71-500-00	K71-502-00	K71-502-00
Complete Breakdown on:	Page B-21	Page B-22	Page B-23	Page B-24

ELECTRIC BRAKE ASSEMBLIES

2,200 LB. • 7" X 1 ¼" ELECTRIC BRAKE ASSEMBLY =



- This brake is rated to a maximum capacity of 2,200 lbs. / pair
- Torflex CSA Approved at 2,000#/11.3 SLR; 2,200#/10.2 SLR
- Sprung CSA Approved at 2,000#/12.8 SLR; 2,200#/10.2 SLR

REF. NO.	ITEM NO.	ID NO.	QTY.*	DESCRIPTION
1-1	6400026	023-047-00	1	LH COMPLETE BRAKE ASSEMBLY
1-2	6400027	023-048-00	1	RH COMPLETE BRAKE ASSEMBLY
2	6450303	046-023-00	2	SHOE HOLD DOWN CLIP
3	6450075	K71-045-00	1	SHOE & LINING KIT
4	6450304	046-024-00	1	RETRACTOR SPRING
5	6450004	047-114-04	1	LH ACTUATING LEVER ARM
5	6450005	047-115-04	1	RH ACTUATING LEVER ARM
6	-	046-030-00	2	ANCHOR POST CLIP
7	6450099	027-005-00	1	WIRE CLIP
8	6450170-01	K71-057-00	1	MAGNET KIT
9	6450302	046-022-00	1	ADJUSTING SCREW SPRING
10	6450301	043-021-00	1	ADJUSTING SCREW
11	6450241	007-041-00	4	BRAKE MOUNTING BOLT- PRESS IN
12**	6450181	006-017-00	4	BRAKE MOUNTING NUT
13	-	064-001-00	1	STABILIZER BRACKET
14	6450038	046-007-00	1	ADJUSTER SLOT PLUG
15	6450305	046-114-00	2	SHOE CENTERING SPRING



1-1



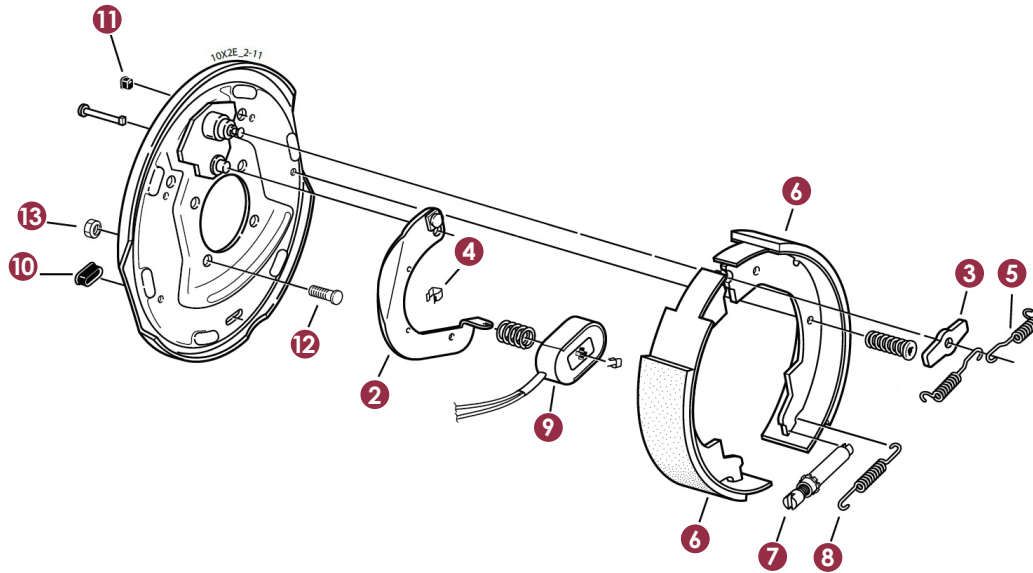
1-2

* Quantity per brake. ** Item Sold Separately.



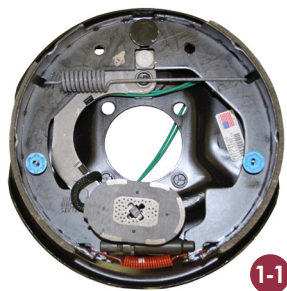
= ELECTRIC BRAKE ASSEMBLIES

3,500 LBS. • 10" X 2 1/4" ELECTRIC BRAKE ASSEMBLY

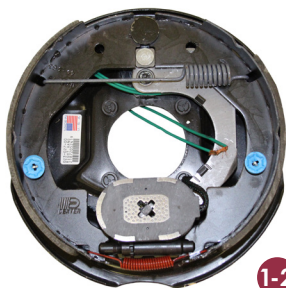


- This brake is rated to a maximum capacity of 3,500 lbs. / pair
- CSA Approved at 3,500#/13.3 SLR

ELECTRIC BRAKE ASSEMBLIES



1-1



1-2

REF. NO.	ITEM NO.	ID NO.	QTY.*	DESCRIPTION
1-1	6400030	023-026-00	1	LH COMPLETE BRAKE ASSEMBLY
1-2	6400033	023-027-00	1	RH COMPLETE BRAKE ASSEMBLY
1-1	6400030-03	K23-026-00	1	LH BOXED COMPLETE BRAKE ASSY
1-2	6400033-01	K23-027-00	1	RH BOXED COMPLETE BRAKE ASSY
2	6450133	047-019-05	1	LH ACTUATING LEVER ARM
2	6450134	047-020-05	1	RH ACTUATING LEVER ARM
3	6450248	005-067-00	1	WASHER
4	6450099	027-005-00	2	WIRE CLIP
5	6450228	046-009-00	2	RETRACTOR SPRING
6	6450066	K71-047-00	1	SHOE & LINING KIT
7	6450007	043-004-00	1	ADJUSTER ASSEMBLY
8	6450226	046-018-00	1	ADJUSTING SCREW SPRING
9	6450165-01	K71-104-00	1	MAGNET KIT
10	6450038	046-007-00	2	ADJUSTER SLOT PLUG
11	6450001	046-016-00	1	WIRE GROMMET
12	6450241	007-041-00	4	BRAKE MOUNTING BOLT - PRESS IN
13**	6450181	006-017-00	4	BRAKE MOUNTING NUT

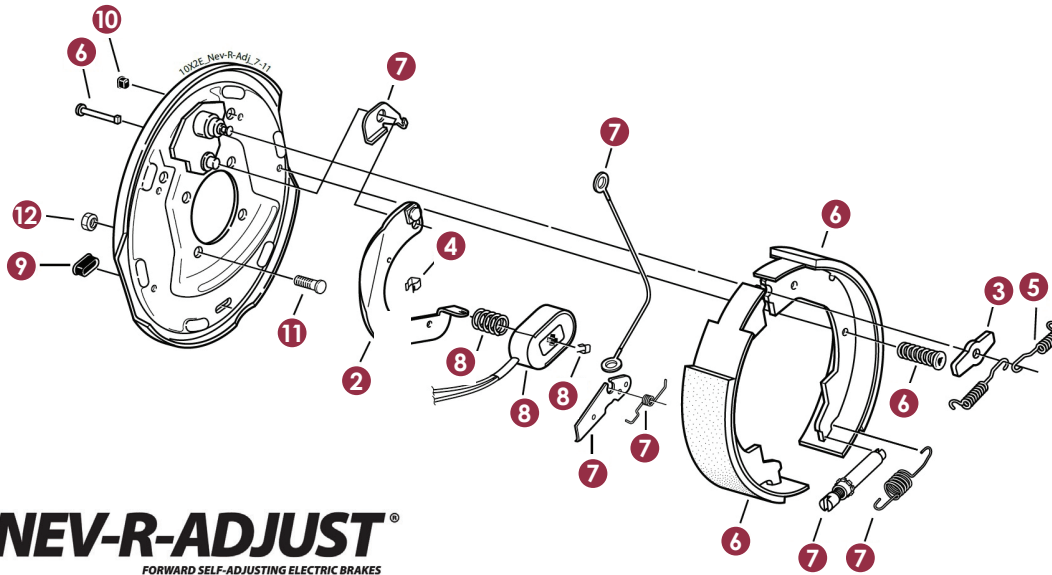
* Quantity per brake. ** Item Sold Separately.

MADE IN

 U. S. A.



3,500 LBS. • 10" X 2 1/4" ELECTRIC FSA BRAKE ASSEMBLY =



NEV-R-ADJUST®
FORWARD SELF-ADJUSTING ELECTRIC BRAKES

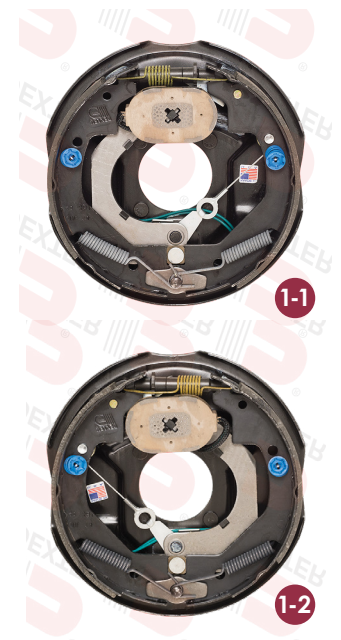
- This brake is rated to a maximum capacity of 3,500 lbs. / pair
- CSA Approved at 3,500#/13.3 SLR

REF NO.	ITEM NO.	ID NO.	QTY.*	DESCRIPTION
1-1	6400102	023-468-00	1	LH COMPLETE BRAKE ASSEMBLY
1-2	6400103	023-469-00	1	RH COMPLETE BRAKE ASSEMBLY
2	6450133	047-019-05	1	LH ACTUATING LEVER ARM
2	6450134	047-020-05	1	RH ACTUATING LEVER ARM
3	6450248	005-067-00	1	WASHER
4	6450099	027-005-00	2	WIRE CLIP
5	6450228	046-009-00	2	RETRACTOR SPRING
6-1	6450293	K71-681-00	1	LH SHOE & LINING KIT
6-2	6450294	K71-682-00	1	RH SHOE & LINING KIT
7	6450352	K71-703-00	1	COMPLETE FSA BRAKE ADJUST KIT
8	6450165-01	K71-104-00	1	MAGNET KIT
9	6450038	046-007-00	2	ADJUSTER SLOT PLUG
10	6450001	046-016-00	1	WIRE GROMMET
11	6450241	007-041-00	4	BRAKE MOUNTING BOLT - PRESS IN
12**	6450181	006-017-00	4	BRAKE MOUNTING NUT

* Quantity per brake. ** Item Sold Separately.

MADE IN

U. S. A.

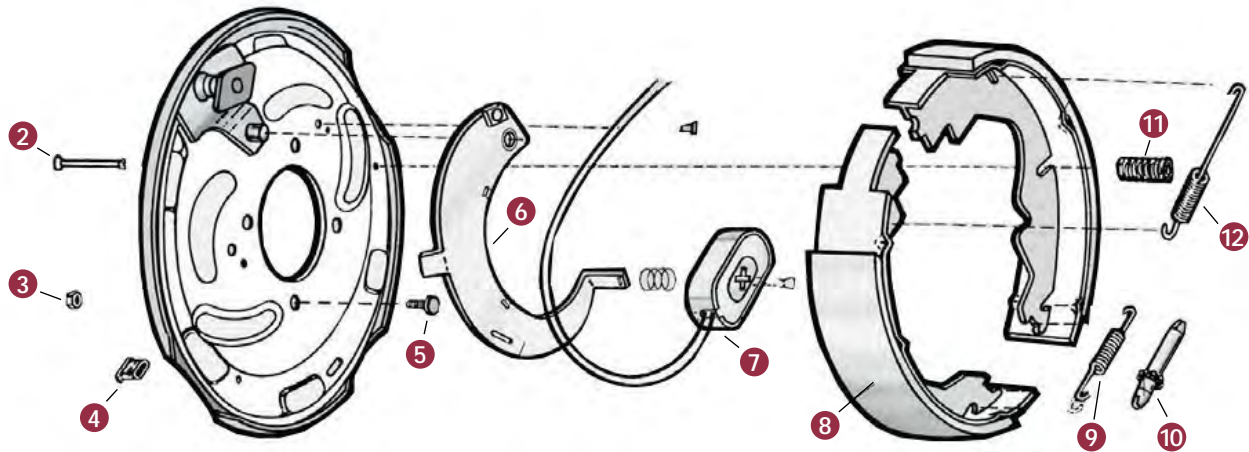


ELECTRIC BRAKE ASSEMBLIES



3,500 LBS. • 10" X 2 ¼" ELECTRIC BRAKE ASSEMBLY

2 YEAR WARRANTY



• This brake is rated to a maximum capacity of 3,500 lbs. / pair



1-1



1-2

REF NO.	ITEM NO.	ID NO.	QTY.*	DESCRIPTION
1-1	6400006	363383.1	1	LH COMPLETE BRAKE ASSEMBLY
1-2	6400007	363383.2	1	RH COMPLETE BRAKE ASSEMBLY
2	6450186	049-002-00	1	BRAKE SHOE HOLD DOWN PIN
3**	6450181	006-017-00	4	BRAKE MOUNTING NUT
4	6450038	046-007-00	1	ADJUSTER SLOT PLUG
5	6450241	007-041-00	4	BRAKE MOUNTING STUD - PRESS IN
6	-	568122	1	LH ACTUATING LEVER ARM
6	-	568121	1	RH ACTUATING LEVER ARM
7	6450165-01	K71-104-00	1	MAGNET KIT
8	6450069	K568112	1	SHOE & LINING KIT
9	6450226	046-018-00	1	ADJUSTER SCREW SPRING
10	6450007	043-004-00	1	ADJUSTER SCREW
11	6450222	046-077-00	1	SPRING & CUP HOLD DOWN
12	6450214	9650603	1	RETRACTOR SPRING

* Quantity per brake. ** Item Sold Separately.

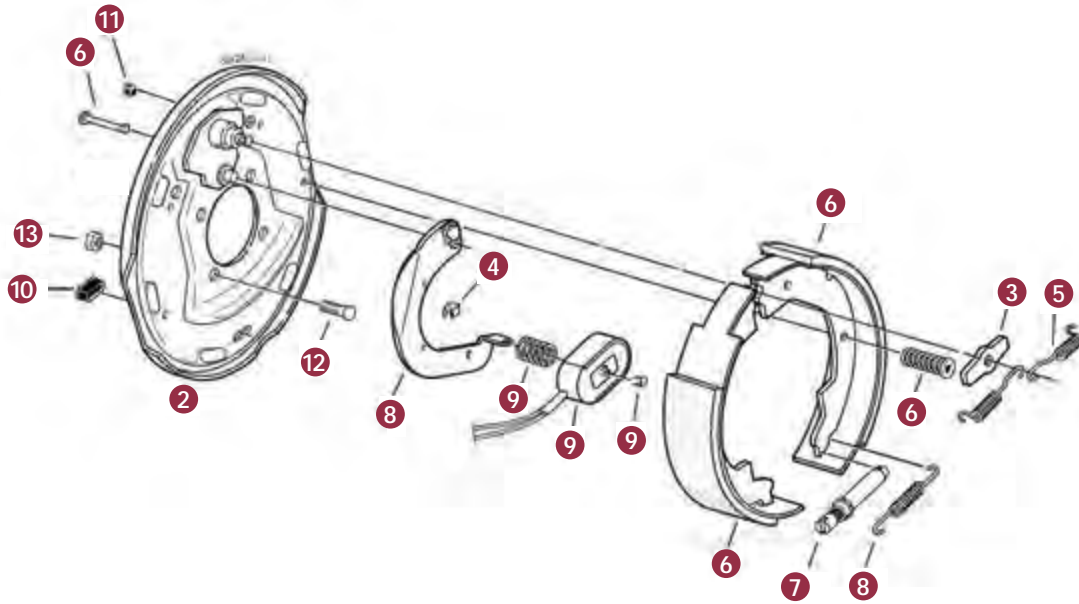
AL-KO
GENUINE PARTS
By DEXTER

MADE IN

U. S. A.

ELECTRIC BRAKE ASSEMBLIES

4,400 LBS. • 10" X 2 ¼" ELECTRIC BRAKE ASSEMBLY =



- This brake is rated to a maximum capacity of 4,400 lbs. / pair
- CSA Approved at 4,400#/13.0 SLR

REF NO.	ITEM NO.	ID NO.	QTY.*	DESCRIPTION
1-1	6400133	023-462-00	1	LH COMPLETE BRAKE ASSEMBLY
1-2	6400134	023-463-00	1	RH COMPLETE BRAKE ASSEMBLY
2	6450133	047-019-05	1	LH ACTUATING LEVER ARM
2	6450134	047-020-05	1	RH ACTUATING LEVER ARM
3	6450248	005-067-00	1	WASHER
4	6450099	027-005-00	2	WIRE CLIP
5	6450228	046-009-00	2	RETRACTOR SPRING
6	6450064	K71-672-00	1	SHOE & LINING KIT
7	6450007	043-004-00	1	ADJUSTER SCREW
8	6450226	046-018-00	1	ADJUSTER SCREW SPRING
9	6450161-01	K71-125-00	1	MAGNET KIT
10	6450038	046-007-00	2	ADJUSTER SLOT PLUG
11	6450001	046-016-00	1	WIRE GROMMET
12	6450241	007-041-00	4	BRAKE MOUNTING BOLT - PRESS IN
13**	6450181	006-017-00	4	BRAKE MOUNTING NUT

* Quantity per brake. ** Item Sold Separately.



1-1

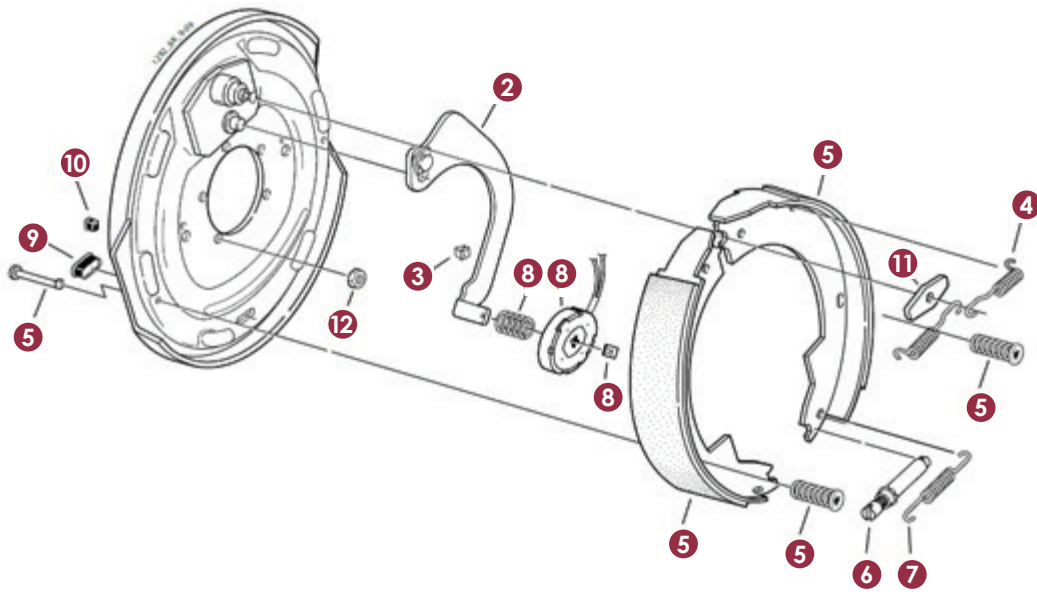


1-2

= ELECTRIC BRAKE ASSEMBLIES

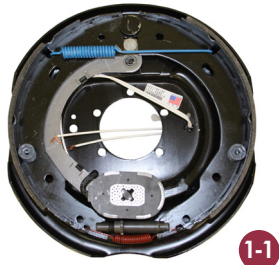


6,000 LBS. • 12" X 2" ELECTRIC BRAKE ASSEMBLY =



- This brake is rated to a maximum capacity of 6,000 lbs. / pair
- CSA Approved at 6,000#/14.2 SLR

ELECTRIC BRAKE ASSEMBLIES



REF NO.	ITEM NO.	ID NO.	QTY.*	DESCRIPTION
1-1	6400010	023-105-00	1	LH COMPLETE BRAKE ASSEMBLY
1-2	6400036	023-106-00	1	RH COMPLETE BRAKE ASSEMBLY
1-1	6400010-01	K23-105-00	1	LH BOXED COMPLETE BRAKE ASSY
1-2	6400036-01	K23-106-00	1	RH BOXED COMPLETE BRAKE ASSY
2	6450135	047-107-05	1	LH ACTUATING LEVER ARM
2	6450136	047-108-05	1	RH ACTUATING LEVER ARM
3	6450099	027-005-00	2	WIRE CLIP
4	6450228	046-009-00	2	RETRACTOR SPRING
5	6450084	K71-127-00	1	SHOE & LINING KIT
6	6450007	043-004-00	1	ADJUSTER ASSEMBLY
7	6450226	046-018-00	1	ADJUSTING SCREW SPRING
8	6450166-01	K71-105-00	1	MAGNET KIT
9	6450038	046-007-00	2	ADJUSTER SLOT PLUG
10	6450001	046-016-00	1	WIRE GROMMET
11	6450248	005-067-00	1	ANCHOR POST WASHER
12**	6450308	006-193-00	5	BRAKE MOUNTING NUT

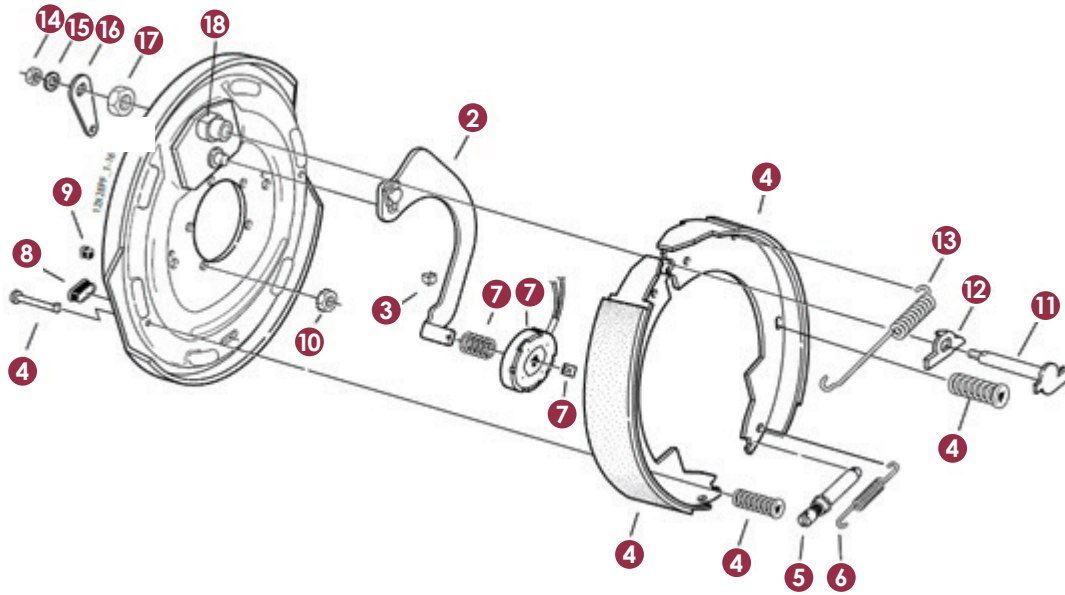
* Quantity per brake. ** Item Sold Separately.

MADE IN

U. S. A.



6,000 LBS. • 12" X 2" ELECTRIC W/PARK FEATURE BRAKE ASSEMBLY



- This brake is rated to a maximum capacity of 6,000 lbs. / pair
- CSA Approved at 6,000#/14.2 SLR

REF NO.	ITEM NO.	ID NO.	QTY.*	DESCRIPTION
1-1	6400110	023-112-00	1	LH COMPLETE BRAKE ASSEMBLY
1-2	6400111	023-113-00	1	RH COMPLETE BRAKE ASSEMBLY
2	6450135	047-107-05	1	LH ACTUATING LEVER ARM
2	6450136	047-108-05	1	RH ACTUATING LEVER ARM
3	6450099	027-005-00	2	WIRE CLIP
4	6450084	K71-127-00	1	SHOE & LINING KIT
5	6450007	043-004-00	1	ADJUSTER SCREW
6	6450226	046-018-00	1	ADJUSTING SCREW SPRING
7	6450166-01	K71-105-00	1	MAGNET KIT
8	6450038	046-007-00	2	ADJUSTER SLOT PLUG
9	6450001	046-016-00	1	WIRE GROMMET
10**	6450308	006-193-00	5	BRAKE MOUNTING NUT
11	-	039-025-00	1	LH PIVOT PIN & CAM SUB-ASSEMBLY
11	-	039-026-00	1	RH PIVOT PIN & CAM SUB-ASSEMBLY
12	-	039-048-00	1	LH ACTUATING CAM
12	-	039-049-00	1	RH ACTUATING CAM
13	-	045-005-00	1	RETRACTOR SPRING
14	9000143	006-011-00	1	PIVOT PIN LOCKNUT
15	-	005-041-00	1	WASHER
16	-	047-070-00	1	PARKING BRAKE LEVER
17	9000139	006-047-00	1	ANCHOR POST LOCKNUT
18	-	038-068-00	1	ANCHOR POST & BUSHING SUB-ASSEMBLY

* Quantity per brake. ** Item Sold Separately.



1-1



1-2

ELECTRIC BRAKE ASSEMBLIES

MADE IN

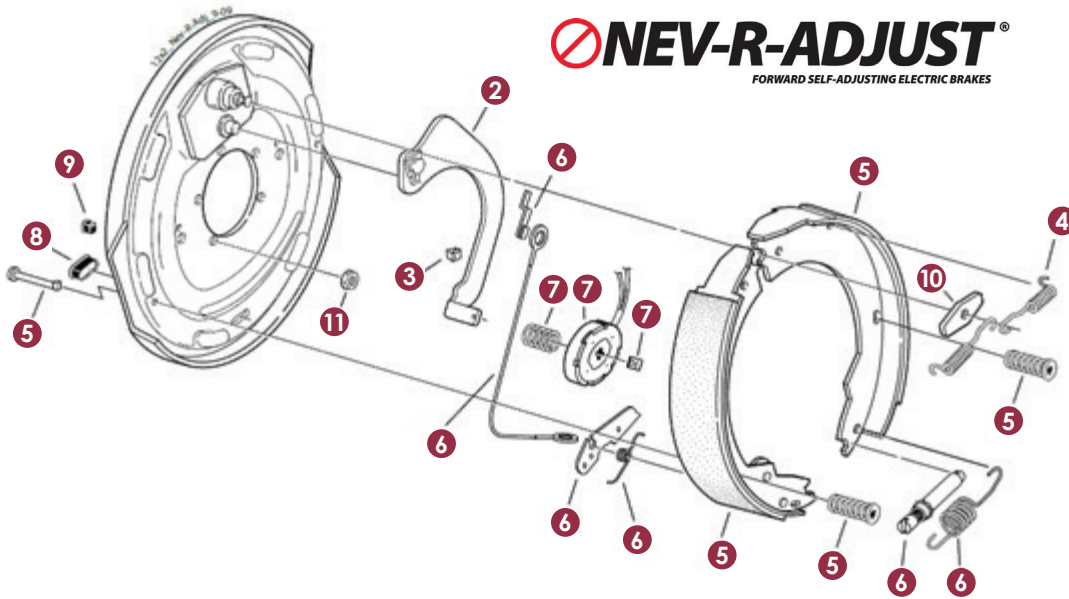
 U. S. A.



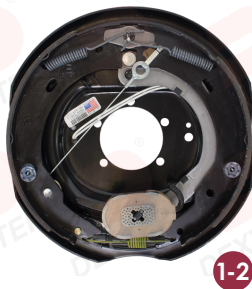
6,000 LBS. • 12" X 2" ELECTRIC FSA BRAKE ASSEMBLY =



NEV-R-ADJUST®
FORWARD SELF-ADJUSTING ELECTRIC BRAKES



- This brake is rated to a maximum capacity of 6,000 lbs. / pair
- CSA Approved at 6,000#/14.2 SLR



REF NO.	ITEM NO.	ID NO.	QTY.*	DESCRIPTION
1-1	6400081	023-458-00	1	LH COMPLETE BRAKE ASSEMBLY
1-2	6400082	023-459-00	1	RH COMPLETE BRAKE ASSEMBLY
1-1	6400081-03	K23-458-00	1	LH BOXED COMPLETE BRAKE ASSY
1-2	6400082-03	K23-459-00	1	RH BOXED COMPLETE BRAKE ASSY
2	6450135	047-107-05	1	LH ACTUATING LEVER ARM
2	6450136	047-108-05	1	RH ACTUATING LEVER ARM
3	6450099	027-005-00	2	WIRE CLIP
4	6450228	046-009-00	2	RETRACTOR SPRING
5-1	6450309	K71-673-00	1	LH SHOE & LINING KIT
5-2	6450310	K71-674-00	1	RH SHOE & LINING KIT
6	6451003	K71-679-00	1	COMPLETE FSA BRAKE ADJUST KIT
7	6450166-01	K71-105-00	1	MAGNET KIT
8	6450038	046-007-00	2	ADJUSTER SLOT PLUG
9	6450001	046-016-00	1	WIRE GROMMET
10	6450248	005-067-00	1	ANCHOR POST WASHER
11**	6450308	006-193-00	5	BRAKE MOUNTING NUT

* Quantity per brake. ** Item Sold Separately.

MADE IN

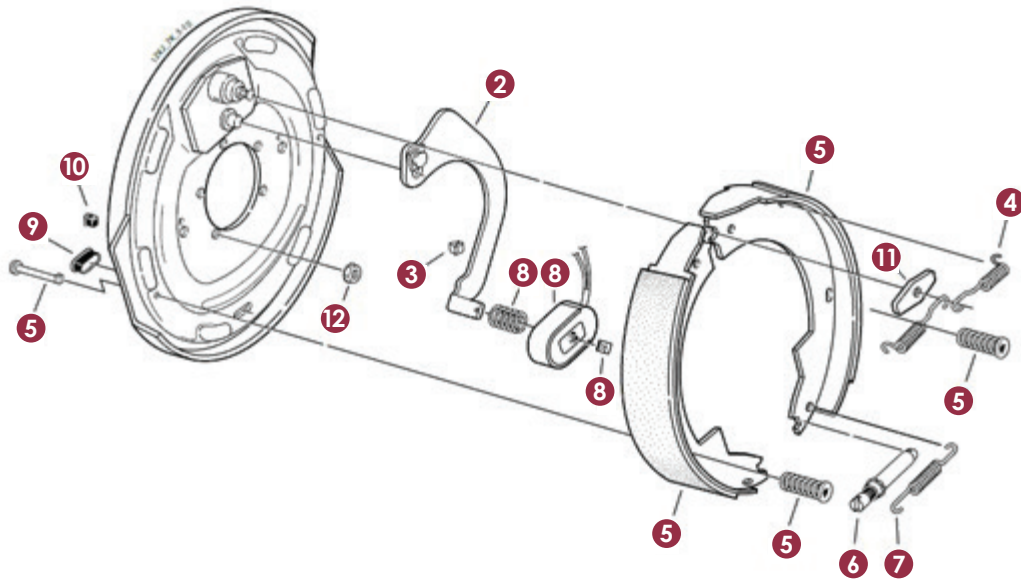


U. S. A.



ELECTRIC BRAKE ASSEMBLIES

7,000 LBS. • 12" X 2" ELECTRIC BRAKE ASSEMBLY



- This brake is rated to a maximum capacity of 7,000 lbs. / pair
- CSA Approved at 7,000#/13.8 SLR

REF NO.	ITEM NO.	ID NO.	QTY.*	DESCRIPTION
1-1	6400037	023-180-00	1	LH COMPLETE BRAKE ASSEMBLY
1-2	6400038	023-181-00	1	RH COMPLETE BRAKE ASSEMBLY
1-1	6400037-03	K23-180-00	1	LH BOXED COMPLETE BRAKE ASSY
1-2	6400038-03	K23-181-00	1	RH BOXED COMPLETE BRAKE ASSY
2	6450135	047-107-05	1	LH ACTUATING LEVER ARM
2	6450136	047-108-05	1	RH ACTUATING LEVER ARM
3	6450099	027-005-00	2	WIRE CLIP
4	6450228	046-009-00	2	RETRACTOR SPRING
5	6450084	K71-127-00	1	SHOE & LINING KIT
6	6450007	043-004-00	1	ADJUSTER ASSEMBLY
7	6450226	046-018-00	1	ADJUSTING SCREW SPRING
8	6450161-01	K71-125-00	1	MAGNET KIT
9	6450038	046-007-00	2	ADJUSTER SLOT PLUG
10	6450001	046-016-00	1	WIRE GROMMET
11	6450248	005-067-00	1	ANCHOR POST WASHER
12**	6450308	006-193-00	5	BRAKE MOUNTING NUT

* Quantity per brake. ** Item Sold Separately.



1-1



1-2



MADE IN

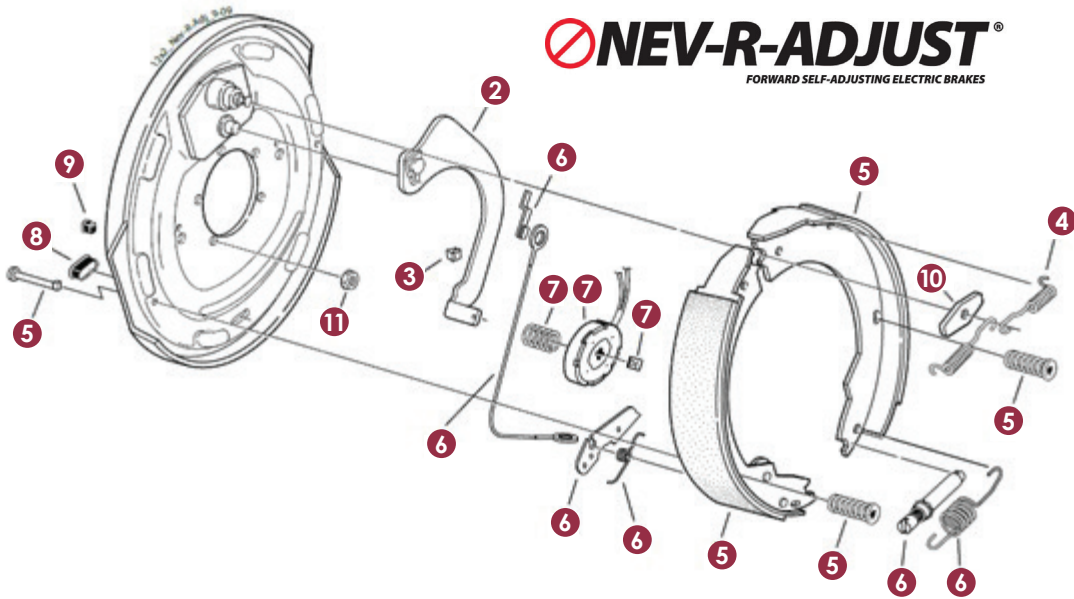
 U. S. A.

ELECTRIC BRAKE ASSEMBLIES

7,000 LBS. • 12" X 2" ELECTRIC FSA BRAKE ASSEMBLY =



NEV-R-ADJUST®
FORWARD SELF-ADJUSTING ELECTRIC BRAKES



- This brake is rated to a maximum capacity of 7,000 lbs. / pair
- CSA Approved at 7,000#/13.8 SLR

ELECTRIC BRAKE ASSEMBLIES



REF NO.	ITEM NO.	ID NO.	QTY.*	DESCRIPTION
1-1	6400083	023-464-00	1	LH COMPLETE BRAKE ASSEMBLY
1-2	6400084	023-465-00	1	RH COMPLETE BRAKE ASSEMBLY
1-1	6400083-03	K23-464-00	1	LH BOXED COMPLETE BRAKE ASSY
1-2	6400084-03	K23-465-00	1	RH BOXED COMPLETE BRAKE ASSY
2	6450135	047-107-05	1	LH ACTUATING LEVER ARM
2	6450136	047-108-05	1	RH ACTUATING LEVER ARM
3	6450099	027-005-00	2	WIRE CLIP
4	6450228	046-009-00	2	RETRACTOR SPRING
5-1	6450311	K71-675-00	1	LH SHOE & LINING KIT
5-2	6450312	K71-676-00	1	RH SHOE & LINING KIT
6	6451003	K71-679-00	1	COMPLETE FSA BRAKE ADJUST KIT
7	6450161-01	K71-125-00	1	MAGNET KIT
8	6450038	046-007-00	2	ADJUSTER SLOT PLUG
9	6450001	046-016-00	1	WIRE GROMMET
10	6450248	005-067-00	1	ANCHOR POST WASHER
11**	6450308	006-193-00	5	BRAKE MOUNTING NUT

* Quantity per brake. ** Item Sold Separately.

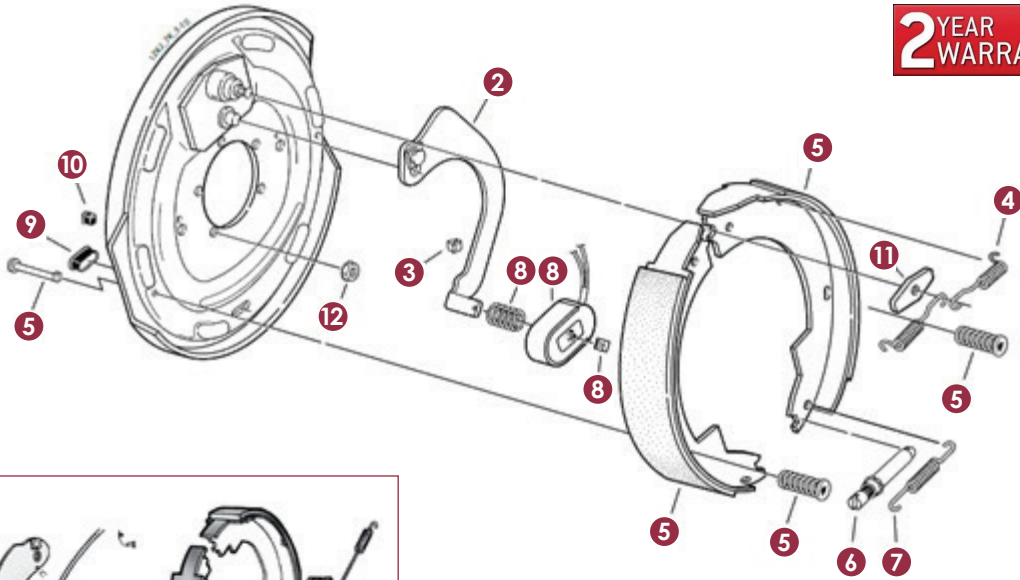
MADE IN

U. S. A.

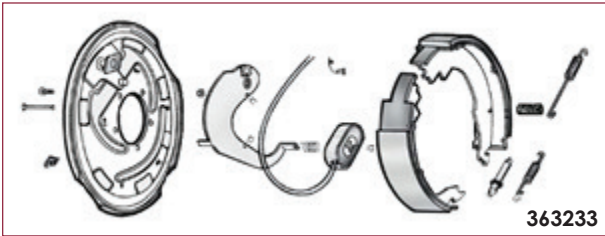


6,000 LBS. • 12" X 2" ELECTRIC BRAKE (9 MOUNTING HOLES) =

2 YEAR WARRANTY



AL-KO



- Items 1-1 and 1-2 below from Dexter will fit an AL-KO Axle.
- The AL-KO 363233 Assembly is not available.

• This brake is rated to a maximum capacity of 5,200 - 7,000 lbs. / pair

REF NO.	ITEM NO.	ID NO.	QTY.*	DESCRIPTION
1-1	6400121	023-105-09	1	LH COMPLETE BRAKE ASSEMBLY
1-2	6400122	023-106-09	1	RH COMPLETE BRAKE ASSEMBLY
2	6450135	047-107-05	1	LH ACTUATING LEVER ARM
2	6450136	047-108-05	1	RH ACTUATING LEVER ARM
3	6450099	027-005-00	2	WIRE CLIP
4	6450228	046-009-00	2	RETRACTOR SPRING
5-1	6450084	K71-127-00	1	DEXTER SHOE & LINING KIT
5-2	6450072	K568126	1	ALKO SHOE & LINING KIT
6	6450007	043-004-00	1	ADJUSTER ASSEMBLY
7	6450226	046-018-00	1	ADJUSTING SCREW SPRING
8	6450161-01	K71-125-03	1	DEXTER MAGNET KIT
8	6450288	K568111	1	ALKO MAGNET KIT
9	6450038	046-007-00	2	ADJUSTER SLOT PLUG
10	6450001	046-016-00	1	WIRE GROMMET
11	6450248	005-067-00	1	ANCHOR POST WASHER
12**	6450308	006-193-00	5	BRAKE MOUNTING NUT

* Quantity per brake. ** Item Sold Separately.



1-1



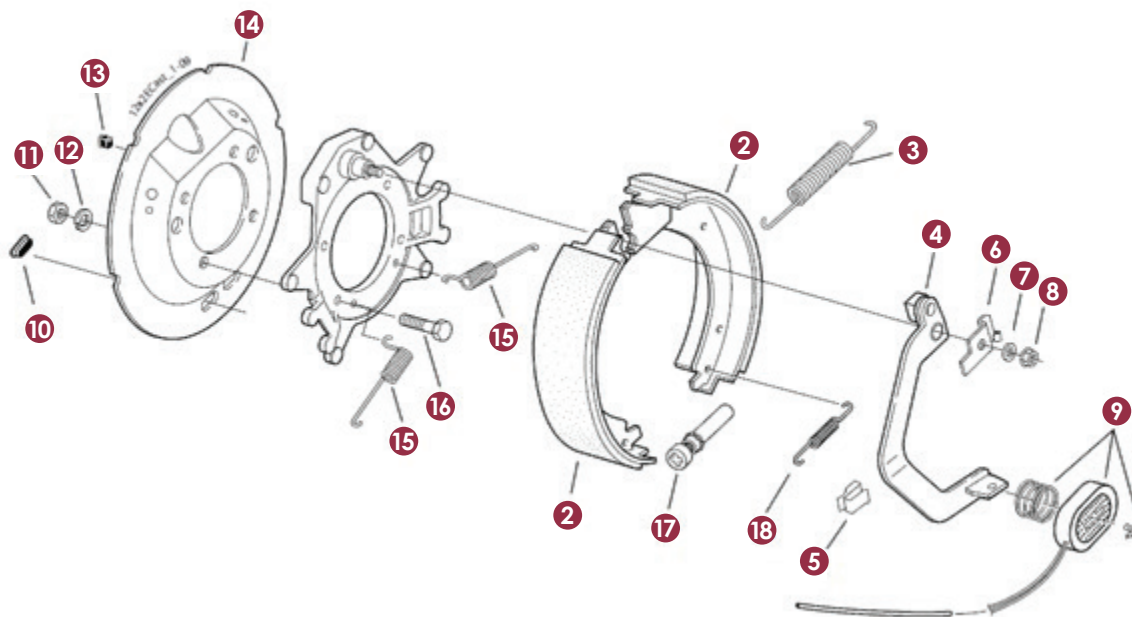
1-2

AL-KO
GENUINE PARTS
By DEXTER

MADE IN
 U. S. A.

ELECTRIC BRAKE ASSEMBLIES

7,200 LBS. • 12 1/4" X 2 1/2" ELECTRIC BRAKE ASSEMBLY



- This brake is rated to a maximum capacity of 7,200 lbs. / pair
- CSA Approved at 7,100#/14.2 SLR



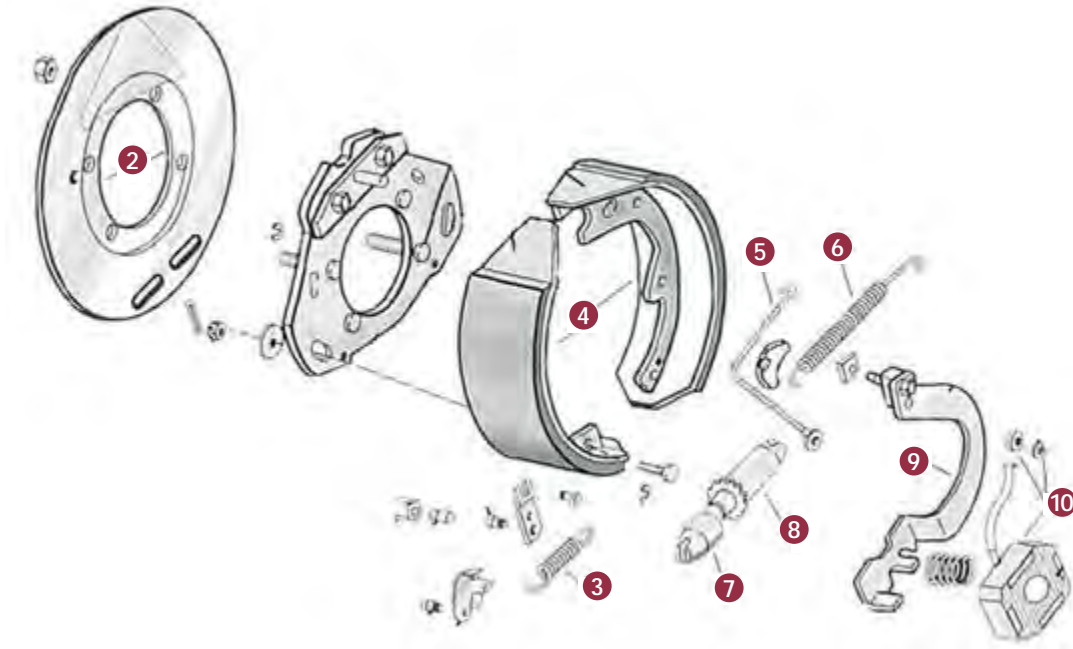
REF NO.	ITEM NO.	ID NO.	QTY.*	DESCRIPTION
1-1	6400057	023-428-00	1	LH COMPLETE BRAKE ASSEMBLY
1-2	6400058	023-429-00	1	RH COMPLETE BRAKE ASSEMBLY
2-1	6450289	K71-497-00	1	LH SHOE & LINING KIT
2-2	6450290	K71-496-00	1	RH SHOE & LINING KIT
3	6450237	046-119-00	1	SHOE RETURN (GRAY)
4-1	6450137	047-124-05	1	LH ACTUATING LEVER ARM
4-2	6450138	047-125-05	1	RH ACTUATING LEVER ARM
5	6450102	027-039-00	3	WIRE CLIP
6	6450211	071-455-01	1	LH LEVER ARM RETAINER
6	6450212	071-455-02	1	RH LEVER ARM RETAINER
7	6450155	005-142-00	1	WASHER
8	6450177	006-092-01	1	FLANGE NUT
9	6450160-01	K71-441-00	1	MAGNET KIT
10**	6450038	046-007-00	2	ADJUSTER SLOT PLUG
11**	9000137	006-129-00	4	HEX NUT
12**	9000251	005-058-00	4	LOCK WASHER
13**	6450001	046-016-00	1	MAGNET WIRE GROMMET
14**	6450300	036-118-20	1	DUST SHIELD
15**	6450097	046-136-00	2	CENTERING SPRING
16**	9000425	007-251-00	4	BRAKE MOUNTING BOLT
17	6450009	048-017-00	1	ADJUSTER SCREW
18	6450226	046-018-00	1	ADJUSTER SPRING (RED)

* Quantity per brake. ** Item Sold Separately.



8,000 LBS. • 12" X 3 3/8" ELECTRIC BRAKE ASSEMBLY =

2 YEAR WARRANTY



• This brake is rated to a maximum capacity of 8,000 lbs. / pair

REF NO.	ITEM NO.	ID NO.	QTY.*	DESCRIPTION
1-1 ⁺	6400056	K363601	1	LH COMPLETE BRAKE ASSEMBLY
1-2 ⁺	6400055	K363602	1	RH COMPLETE BRAKE ASSEMBLY
2	6450110	568289	1	DUST COVER
3	-	568239	1	SELF ADJUSTER SPRING
4	6450057	K363924	1	SHOE & LINING KIT
5	6450089	568245	1	CABLE ASSEMBLY
6	6450295	568226	1	SHOE RETRACTING SPRING
7	6450215	568272	1	SELF ADJUSTER SOCKET
8	6450205	568257	1	LH ADJUSTER ASSEMBLY
8	6450015	568256	1	RH ADJUSTER ASSEMBLY
9	6450398	568237	1	LH LEVER ASSEMBLY
9	6450257	568236	1	RH LEVER ASSEMBLY
10	6450162	K568252	1	MAGNET KIT

* Quantity per brake. ** Item Sold Separately.
+ Special Order Only for Replacement Parts.

AL-KO
GENUINE PARTS
By DEXTER

MADE IN

U. S. A.



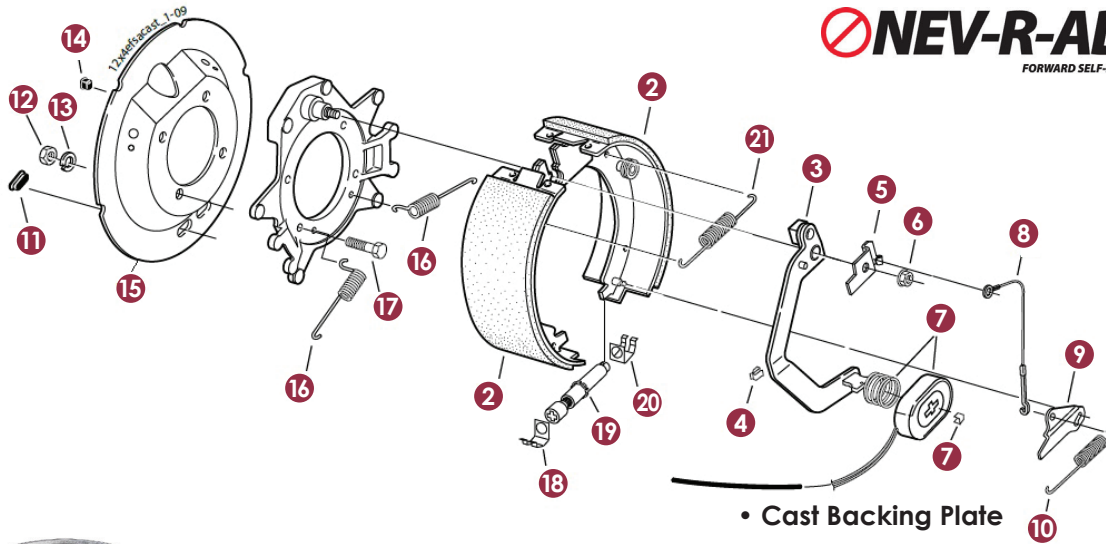
1-1



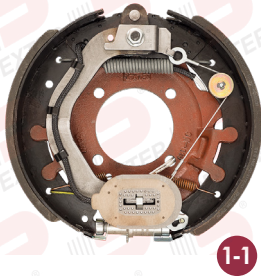
1-2

ELECTRIC BRAKE ASSEMBLIES

8,000 LBS. • 12 1/4" X 3 3/8" ELECTRIC FSA BRAKE ASSEMBLY =



- This brake is rated to a maximum capacity of 8,000 lbs. / pair
- CSA Approved at 7,000#/14.2 SLR



REF NO.	ITEM NO.	ID NO.	QTY.*	DESCRIPTION
1-1	6400039	023-434-00	1	LH COMPLETE BRAKE ASSEMBLY
1-2	6400040	023-435-00	1	RH COMPLETE BRAKE ASSEMBLY
2-1	6450059	K71-499-00	1	LH SHOE & LINING KIT
2-2	6450060	K71-498-00	1	RH SHOE & LINING KIT
3	6450271	047-123-38	1	LH ACTUATING LEVER ARM
3	6450270	047-123-37	1	RH ACTUATING LEVER ARM
4	6450102	027-039-00	3	WIRE CLIP
5	6450211	071-455-01	1	LH ARM/ SHOE RETAINER
5	6450212	071-455-02	1	RH ARM / SHOE RETAINER
6	6450177	006-092-01	1	FLANGE NUT
7	6450173-01	K71-375-00	1	MAGNET KIT
8	6450088	071-462-00	1	ADJUSTER CABLE
9	6450146	071-464-00	1	LH ADJUSTER LEVER
9	6450150	071-463-00	1	RH ADJUSTER LEVER
10	6450275	046-137-00	1	ADJUSTER SPRING
11	6450038	046-007-00	2	ADJUSTER SLOT PLUG
12**	9000137	006-129-00	4	BRAKE MOUNTING NUT
13**	9000251	005-058-00	4	LOCK WASHER
14**	6450001	046-016-00	1	WIRE GROMMET
15**	6450113	036-115-20	1	DUST SHIELD
16	6450097	046-136-00	2	CENTERING SPRING
17**	6450019	007-097-00	4	BRAKE MOUNTING BOLT
18	6450100	046-132-00	1	ADJUSTER CLIP (THREAD END)
19	6450011	048-019-00	1	LH ADJUSTER ASSEMBLY (SILVER)
19	6450010	048-020-00	1	RH ADJUSTER ASSEMBLY (GOLD)
20	6450101	046-133-00	1	ADJUSTER CLIP (BARREL END)
21	6450237	046-119-00	1	RETURN SPRING

* Quantity per brake. ** Item Sold Separately.



MADE IN

 U. S. A.

ELECTRIC BRAKE ASSEMBLIES

9K - 15K HEAVY DUTY FORWARD SELF-ADJUSTING ELECTRIC BRAKES



Heavy Duty Actuating Lever with oil impregnated bushing for long trouble-free operation.

Anchor post of high strength steel to accept high torques of heavy duty brake service.

Backing Plate is a cast spider from high strength ductile iron designed for long life under heavy duty braking conditions.

Adjuster Link transmits braking forces between brake shoes. Length is adjusted during normal vehicle forward and reverse operation to maintain close brakes shoe-to-drum relation for maximum braking efficiency and service-free operation.

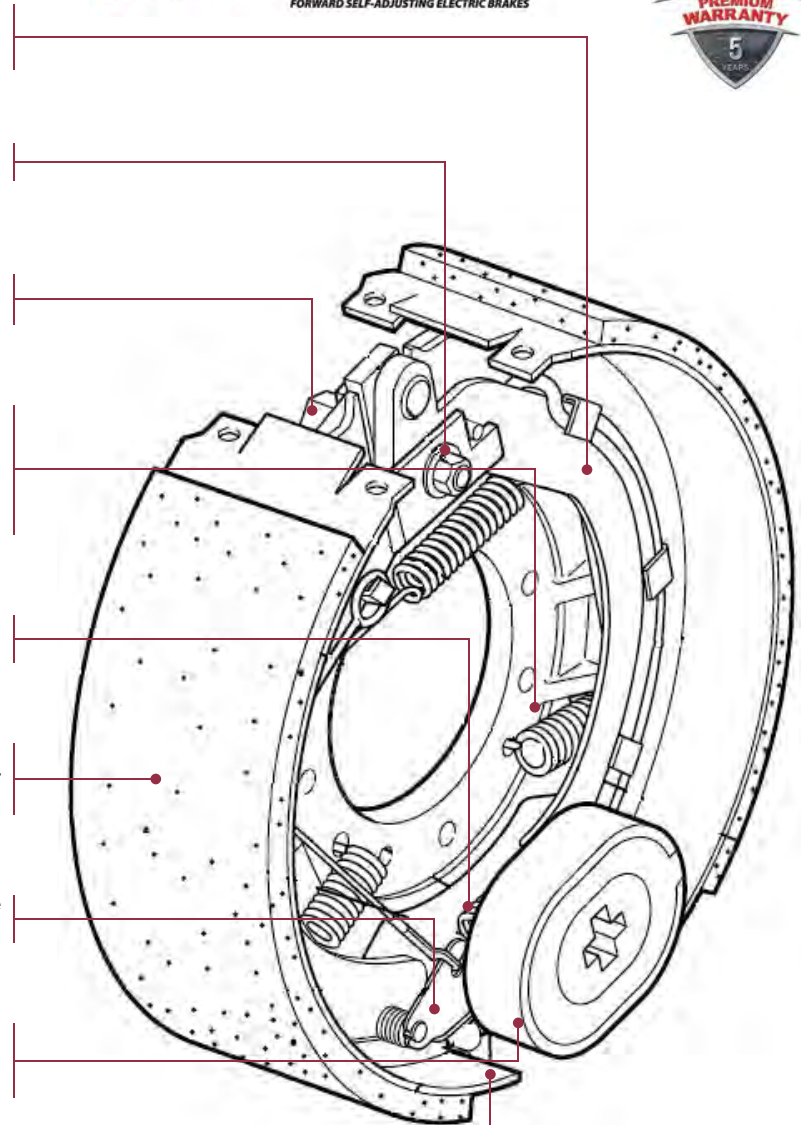
Adjuster Spring holds heel ends of brake shoes engaged with adjuster link.

Brake Lining are truck type for improved stopping force and extended service life. Linings are bonded to brake shoes for more useable lining life.

Adjuster Pawl is cable actuated when brake is applied while vehicle is operating in forward or reverse.

Electromagnet, powdered metal body with large, friction wear surface. Spring on actuating lever pin positions electromagnet positively against drum armature surface.

Brake Shoes are fabricated out of heavy gauge steel to completely support brake linings under service conditions without warping. The shoes assure adequate strength to withstand high forces needed for more efficient braking.



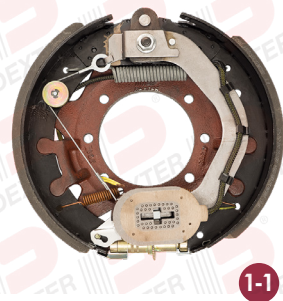
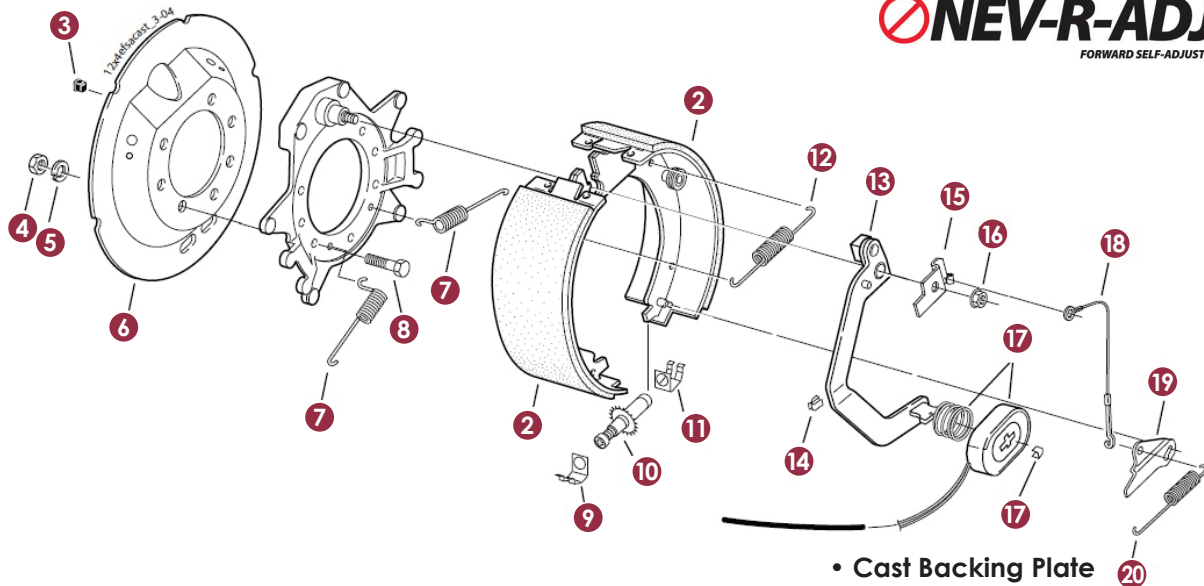
ELECTRIC BRAKE ASSEMBLIES

ITEM NO.	ID NO.	CAPACITY*	SIZE	DESCRIPTION	CAT PG.
6400044	023-450-00	9K, 10KGD, #13G	12-1/4" x 3-3/8"	LH COMPLETE BRAKE ASSEMBLY	B-20
6400045	023-451-00	9K, 10KGD, #13G	12-1/4" x 3-3/8"	RH COMPLETE BRAKE ASSEMBLY	B-20
6400019	023-438-00	10K, #13D	12-1/4" x 4"	LH COMPLETE BRAKE ASSEMBLY	B-22
6400018	023-439-00	10K, #13D	12-1/4" x 4"	RH COMPLETE BRAKE ASSEMBLY	B-22
6400023	023-442-00	12K, #14T	12-1/4" x 5"	LH COMPLETE BRAKE ASSEMBLY	B-23
6400022	023-443-00	12K, #14T	12-1/4" x 5"	RH COMPLETE BRAKE ASSEMBLY	B-23
6400025	023-446-00	15K	12-1/4" x 5"	LH COMPLETE BRAKE ASSEMBLY	B-24
6400024	023-447-00	15K	12-1/4" x 5"	RH COMPLETE BRAKE ASSEMBLY	B-24

9,000 - 10,000 LBS. • 12 1/4" X 3 3/8" GENERAL DUTY ELECTRIC FSA BRAKE ASSEMBLY =

2 YEAR
WARRANTY

NEV-R-ADJUST[®]
FORWARD SELF-ADJUSTING ELECTRIC BRAKES



1-1



1-2

REF NO.	ITEM NO.	ID NO.	QTY*	DESCRIPTION
1-1	6400044	023-450-00	1	LH COMPLETE BRAKE ASSEMBLY
1-2	6400045	023-451-00	1	RH COMPLETE BRAKE ASSEMBLY
1-1	6400044-01	K23-450-00	1	LH BOXED COMPLETE BRAKE ASSY
1-2	6400045-01	K23-451-00	1	RH BOXED COMPLETE BRAKE ASSY
2-1	6450059	K71-499-00	1	LH SHOE & LINING KIT
2-2	6450060	K71-498-00	1	RH SHOE & LINING KIT
3**	6450001	046-016-00	1	WIRE GROMMET
4**	6450181	006-017-00	7	BRAKE MOUNTING NUT
5**	7030116	005-008-00	7	LOCK WASHER
6**	6450118	036-115-21	1	DUST SHIELD
7	6450097	046-136-00	2	CENTERING SPRING
8**	6450020	007-116-00	7	BRAKE MOUNTING BOLT
9	6450101	046-133-00	1	ADJUSTER CLIP (BARREL END)
10	6450011	048-019-00	1	LH ADJUSTER ASSEMBLY (SILVER)
10	6450010	048-020-00	1	RH ADJUSTER ASSEMBLY (GOLD)
11	6450100	046-132-00	1	ADJUSTER CLIP (THREAD END)
12	6450237	046-119-00	1	RETURN SPRING
13	6450271	047-123-38	1	LH ACTUATING ARM ASSEMBLY
13	6450270	047-123-37	1	RH ACTUATING ARM ASSEMBLY
14	6450102	027-039-00	3	WIRE CLIP
15	6450211	071-455-01	1	LH ARM / SHOE RETAINER
15	6450212	071-455-02	1	RH ARM / SHOE RETAINER
16	6450177	006-092-01	1	FLANGE NUT
17	6450174-01	K71-376-00	1	MAGNET KIT
18	6450088	071-462-00	1	ADJUSTER CABLE
19	6450146	071-464-00	1	LH ADJUSTER LEVER
19	6450150	071-463-00	1	RH ADJUSTER LEVER
20	6450275	046-137-00	1	ADJUSTER SPRING

* Quantity per brake. ** Item Sold Separately.

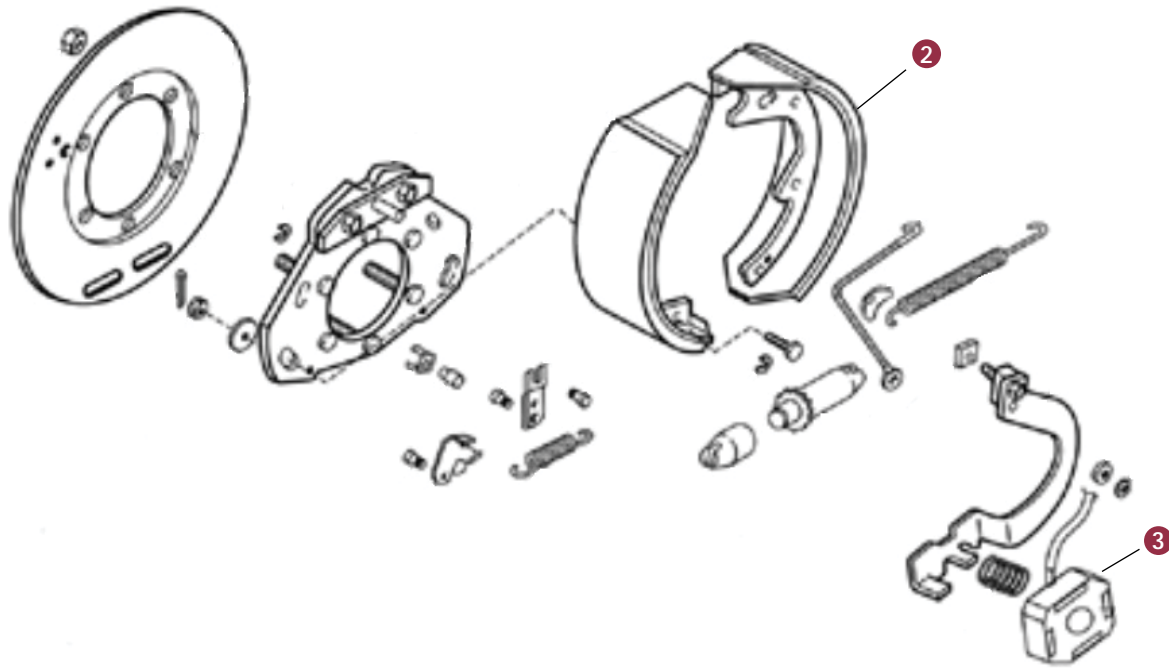


MADE IN

U. S. A.

10,000 - 12,000 LBS. • 12 ¼" X 3 ½" HEAVY DUTY ELECTRIC BRAKE ASSEMBLY ≡

2 YEAR
WARRANTY



REF NO.	ITEM NO.	ID NO.	QTY.*	DESCRIPTION
1-1	6400005	K23-528-00	1	LH COMPLETE BRAKE ASSEMBLY
1-2	6400053	K23-529-00	1	RH COMPLETE BRAKE ASSEMBLY
2	6450156	K568251	1	SHOE & LINING KIT
3	6450162	K568252	1	MAGNET KIT

* Quantity per brake.

AL-KO
GENUINE PARTS
By DEXTER

MADE IN

U. S. A.

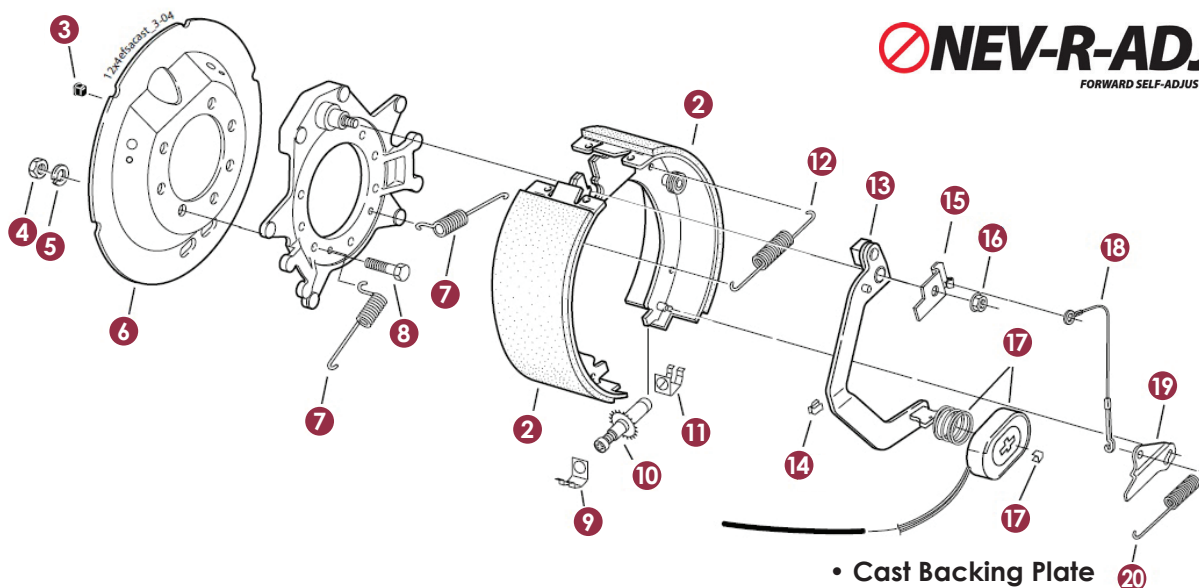


≡ ELECTRIC BRAKE ASSEMBLIES

10,000 LBS. • 12 1/4" X 4" HEAVY DUTY ELECTRIC FSA BRAKE ASSEMBLY



NEV-R-ADJUST
FORWARD SELF-ADJUSTING ELECTRIC BRAKES



REF NO.	ITEM NO.	ID NO.	QTY.*	DESCRIPTION
1-1	6400019	023-438-00	1	LH COMPLETE BRAKE ASSEMBLY
1-2	6400018	023-439-00	1	RH COMPLETE BRAKE ASSEMBLY
2-1	6450041	K71-501-00	1	LH SHOE & LINING KIT
2-2	6450042	K71-500-00	1	RH SHOE & LINING KIT
3**	6450001	046-016-00	1	WIRE GROMMET
4**	6450181	006-017-00	7	BRAKE MOUNTING NUT
5**	7030116	005-008-00	7	LOCK WASHER
6**	6450269	036-115-22	1	DUST SHIELD
7	6450097	046-136-00	2	CENTERING SPRING
8**	6450020	007-116-00	7	BRAKE MOUNTING BOLT
9	6450101	046-133-00	1	ADJUSTER CLIP (BARREL END)
10	6450011	048-019-00	1	LH ADJUSTER ASSEMBLY (SILVER)
10	6450010	048-020-00	1	RH ADJUSTER ASSEMBLY (GOLD)
11	6450100	046-132-00	1	ADJUSTER CLIP (THREAD END)
12	6450237	046-119-00	1	RETURN SPRING
13	6450271	047-123-38	1	LH ACTUATING ARM ASSEMBLY
13	6450270	047-123-37	1	RH ACTUATING ARM ASSEMBLY
14	6450102	027-039-00	3	WIRE CLIP
15	6450211	071-455-01	1	LH ARM / SHOE RETAINER
15	6450212	071-455-02	1	RH ARM / SHOE RETAINER
16	6450177	006-092-01	1	FLANGE NUT
17	6450174-01	K71-376-00	1	MAGNET KIT
18	6450088	071-462-00	1	ADJUSTER CABLE
19	6450146	071-464-00	1	LH ADJUSTER LEVER
19	6450150	071-463-00	1	RH ADJUSTER LEVER
20	6450275	046-137-00	1	ADJUSTER SPRING

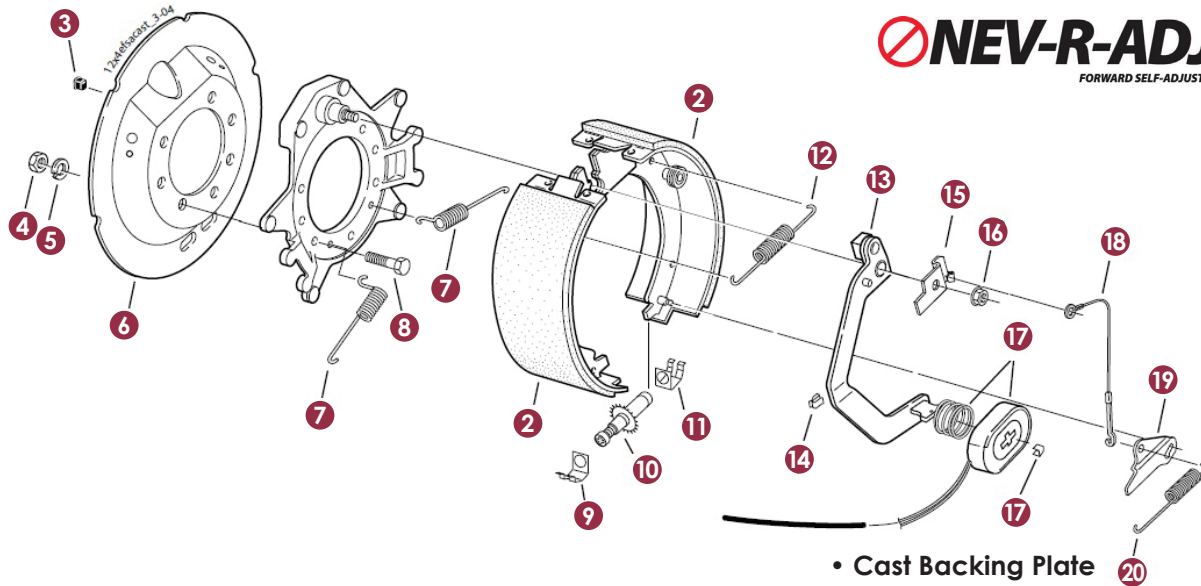
* Quantity per brake. ** Item Sold Separately.



12,000 LBS. • 12 ¼" X 5" HEAVY DUTY ELECTRIC FSA BRAKE ASSEMBLY

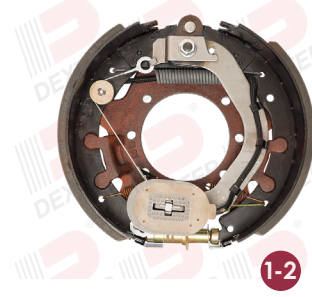


NEV-R-ADJUST
FORWARD SELF-ADJUSTING ELECTRIC BRAKES



REF NO.	ITEM NO.	ID NO.	QTY.*	DESCRIPTION
1-1	6400023	023-442-00	1	LH COMPLETE BRAKE ASSEMBLY
1-2	6400022	023-443-00	1	RH COMPLETE BRAKE ASSEMBLY
2-1	6450048	K71-503-00	1	LH SHOE & LINING KIT
2-2	6450047	K71-502-00	1	RH SHOE & LINING KIT
3**	6450001	046-016-00	1	WIRE GROMMET
4**	6450181	006-017-00	7	BRAKE MOUNTING NUT
5**	7030116	005-008-00	7	LOCK WASHER
6**	6450117	036-115-23	1	DUST SHIELD
7	6450097	046-136-00	2	CENTERING SPRING
8**	6450020	007-116-00	7	BRAKE MOUNTING BOLT
9	6450101	046-133-00	1	ADJUSTER CLIP (BARREL END)
10	6450011	048-019-00	1	LH ADJUSTER ASSEMBLY (SILVER)
10	6450010	048-020-00	1	RH ADJUSTER ASSEMBLY (GOLD)
11	6450100	046-132-00	1	ADJUSTER CLIP (THREAD END)
12	6450237	046-119-00	1	RETURN SPRING
13	6450267	047-123-36	1	LH ACTUATING ARM ASSEMBLY
13	6450268	047-123-35	1	RH ACTUATING ARM ASSEMBLY
14	6450102	027-039-00	3	WIRE CLIP
15	6450211	071-455-01	1	LH ARM / SHOE RETAINER
15	6450212	071-455-02	1	RH ARM / SHOE RETAINER
16	6450177	006-092-01	1	FLANGE NUT
17	6450169-01	K71-377-00	1	MAGNET KIT
18	6450088	071-462-00	1	ADJUSTER CABLE
19	6450146	071-464-00	1	LH ADJUSTER LEVER
19	6450150	071-463-00	1	RH ADJUSTER LEVER
20	6450275	046-137-00	1	ADJUSTER SPRING

* Quantity per brake. ** Item Sold Separately.



MADE IN

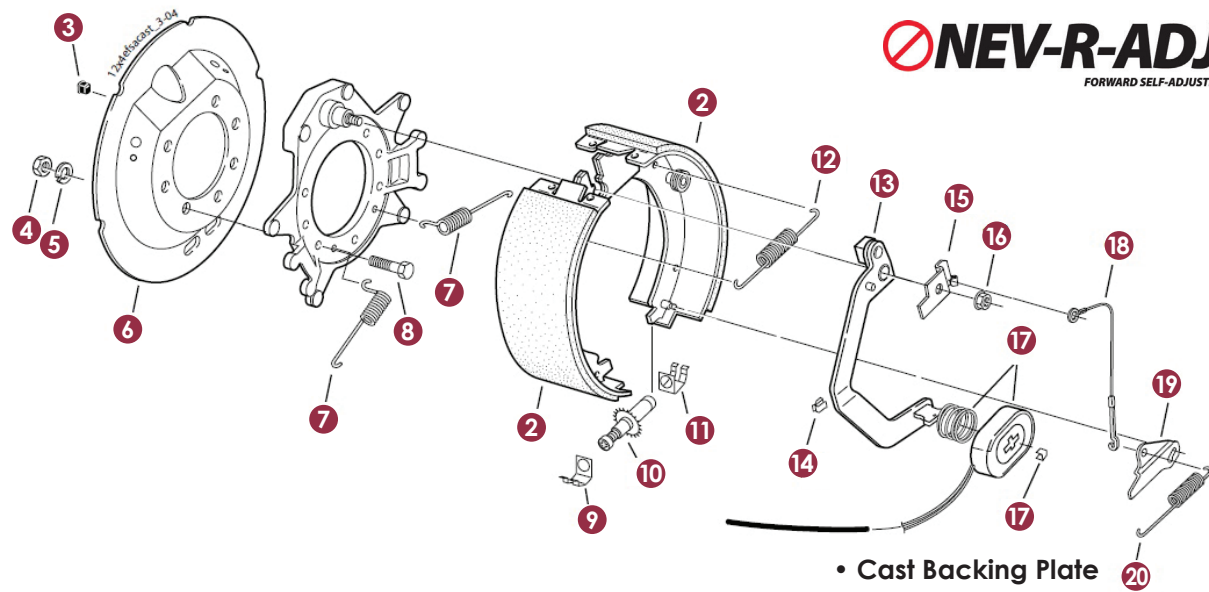
U. S. A.

ELECTRIC BRAKE ASSEMBLIES

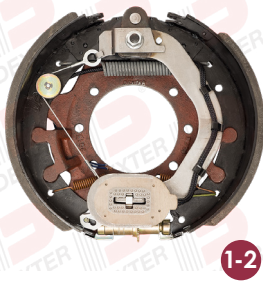
15,000 LBS. • 12 1/4" X 5" HEAVY DUTY ELECTRIC FSA BRAKE ASSEMBLY



NEV-R-ADJUST
FORWARD SELF-ADJUSTING ELECTRIC BRAKES



1-1



1-2



REF NO.	ITEM NO.	ID NO.	QTY.*	DESCRIPTION
1-1	6400025	023-446-00	1	LH COMPLETE BRAKE ASSEMBLY
1-2	6400024	023-447-00	1	RH COMPLETE BRAKE ASSEMBLY
2-1	6450048	K71-503-00	1	LH SHOE & LINING KIT
2-2	6450047	K71-502-00	1	RH SHOE & LINING KIT
3**	6450001	046-016-00	1	WIRE GROMMET
4**	6450181	006-017-00	7	BRAKE MOUNTING NUT
5**	7030116	005-008-00	7	LOCK WASHER
6**	6450117	036-115-23	1	DUST SHIELD
7	6450097	046-136-00	2	CENTERING SPRING
8**	6450020	007-116-00	7	BRAKE MOUNTING BOLT
9	6450101	046-133-00	1	ADJUSTER CLIP (BARREL END)
10	6450011	048-019-00	1	LH ADJUSTER ASSEMBLY (SILVER)
10	6450010	048-020-00	1	RH ADJUSTER ASSEMBLY (GOLD)
11	6450100	046-132-00	1	ADJUSTER CLIP (THREAD END)
12	6450237	046-119-00	1	RETURN SPRING
13	6450267	047-123-36	1	LH ACTUATING ARM ASSEMBLY
13	6450268	047-123-35	1	RH ACTUATING ARM ASSEMBLY
14	6450102	027-039-00	3	WIRE CLIP
15	6450211	071-455-01	1	LH ARM / SHOE RETAINER
15	6450212	071-455-02	1	RH ARM / SHOE RETAINER
16	6450177	006-092-01	1	FLANGE NUT
17	6450183-01	K71-378-00	1	MAGNET KIT
18	6450088	071-462-00	1	ADJUSTER CABLE
19	6450146	071-464-00	1	LH ADJUSTER LEVER
19	6450150	071-463-00	1	RH ADJUSTER LEVER
20	6450275	046-137-00	1	ADJUSTER SPRING

* Quantity per brake. ** Item Sold Separately.

MADE IN
 U. S. A.

ELECTRIC BRAKE ASSEMBLIES