

13 Pc. 1/4", 3/8", and 1/2" Drive External Torx® Socket Set

- For use with external Torx® fasteners
- Black oxide finish is corrosion resistant
- Heat treated socket for durability
- Hard stamped size markings
- For use with manual drive tools only
- Includes socket rail for storage and organization



Cat. No.	Included Storage	Product Weight
80583	Socket Rail	2.08 lb

Cat. No.	Description	Cat. No.	Description
80186	1/4" Drive External Torx® Socket E4	80462	3/8" Drive External Torx® Socket E14
80187	1/4" Drive External Torx® Socket E5	80463	3/8" Drive External Torx® Socket E16
80188D	1/4" Drive External Torx® Socket E6	80669D	1/2" Drive External Torx® Socket E18
80189	1/4" Drive External Torx® Socket E7	80670	1/2" Drive External Torx® Socket E20
80190	1/4" Drive External Torx® Socket E8	80672	1/2" Drive External Torx® Socket E22
80460	3/8" Drive External Torx® Socket E10	80673	1/2" Drive External Torx® Socket E24
80461	3/8" Drive External Torx® Socket E12		

10 Pc. 1/4", 3/8", and 1/2" Drive External Torx® Socket Set

- For use with external Torx® fasteners
- Black oxide finish is corrosion resistant
- Heat treated socket for durability
- Hard stamped size markings
- For use with manual drive tools only
- Includes socket rail for storage and organization



Cat. No.	Included Storage	Product Weight
80582	Socket Rail	1.59 lb

Cat. No.	Description	Cat. No.	Description
80186	1/4" Drive External Torx® Socket E4	80460	3/8" Drive External Torx® Socket E10
80187	1/4" Drive External Torx® Socket E5	80461	3/8" Drive External Torx® Socket E12
80188D	1/4" Drive External Torx® Socket E6	80462	3/8" Drive External Torx® Socket E14
80189	1/4" Drive External Torx® Socket E7	80463	3/8" Drive External Torx® Socket E16
80190	1/4" Drive External Torx® Socket E8	80669D	1/2" Drive External Torx® Socket E18

4 Pc. 3/8" and 1/2" Drive Triple Square Bit Socket Set

- Bits made of S2 steel for strength and durability
- Heat treated for maximum durability
- Hard stamped size markings
- Bright, full polish chrome finish easily wipes clean and resists corrosion
- Includes socket rail for storage and organization
- Meets or exceeds ASME specifications



Cat. No.	Included Storage	Product Weight
80572	Socket Rail	0.46 lb

Cat. No.	Description	Cat. No.	Description
80449	3/8" Drive Triple Square Bit Socket 6mm	80665	1/2" Drive Triple Square Bit Socket 10mm
80450	3/8" Drive Triple Square Bit Socket 8mm	80666	1/2" Drive Triple Square Bit Socket 12mm

5 Pc. 3/8" and 1/2" Drive Long Triple Square Bit Socket Set

- Longer overall bit length provides better access
- S2 steel insert bits offer maximum strength
- Heat treated for maximum durability
- Hard stamped size markings
- Bright, full polish chrome finish easily wipes clean and resists corrosion
- Includes socket rail for storage and organization
- Meets or exceeds ASME specifications



Cat. No.	Included Storage	Product Weight
80874	Socket Rail	1.66 lb

Cat. No.	Description	Cat. No.	Description
80868	3/8" Drive Triple Square Bit Socket 8mm	80871	1/2" Drive Triple Square Bit Socket 14mm
80869	1/2" Drive Triple Square Bit Socket 10mm	80872	1/2" Drive Triple Square Bit Socket 16mm
80870	1/2" Drive Triple Square Bit Socket 12mm		

6 Pc. 3/8" and 1/2" Drive Triple Square Stubby Bit Socket Set

- Reduced overall bit length provides better access in tight spaces
- S2 steel insert bits offer maximum strength
- Heat-treated socket base for durability
- Hard stamped size markings
- Bright, full polish chrome finish easily wipes clean and resists corrosion
- Includes socket rail for storage and organization
- Meets or exceeds ASME specifications



Cat. No.	Included Storage	Product Weight
80744	Socket Rail	1.50 lb

Cat. No.	Description	Cat. No.	Description
80736	3/8" Drive Stubby Triple Square Bit Socket 8mm	80739	1/2" Drive Stubby Triple Square Bit Socket 14mm
80737	1/2" Drive Stubby Triple Square Bit Socket 10mm	80740	1/2" Drive Stubby Triple Square Bit Socket 16mm
80738	1/2" Drive Stubby Triple Square Bit Socket 12mm	80741	1/2" Drive Stubby Triple Square Bit Socket 18mm



9 Pc. 1/4" and 3/8" Drive Triple Square Bit Driver Set

- Short overall length provides better access in tight spaces
- S2 steel for strength and durability
- Hard stamped size markings
- Satin finish for corrosion protection and simple cleaning
- Compact design provides additional access compared to standard bit sockets
- Includes socket rail for storage and organization



Cat. No.	Included Storage	Product Weight
81100	Socket Rail	0.72 lb

Cat. No.	Description	Cat. No.	Description
81090	1/4" Drive Stubby Triple Square Bit Metric Driver Socket 4mm	81095	3/8" Drive Stubby Triple Square Bit Metric Driver Socket 12mm
81091	1/4" Drive Stubby Triple Square Bit Metric Driver Socket 5mm	81096	3/8" Drive Stubby Triple Square Bit Metric Driver Socket 14mm
81092	1/4" Drive Stubby Triple Square Bit Metric Driver Socket 6mm	81097	3/8" Drive Stubby Triple Square Bit Metric Driver Socket 16mm
81093	3/8" Drive Stubby Triple Square Bit Metric Driver Socket 8mm	81098	3/8" Drive Stubby Triple Square Bit Metric Driver Socket 18mm
81094	3/8" Drive Stubby Triple Square Bit Metric Driver Socket 10mm		



10 Pc. 1/4" and 3/8" Drive 6 Point 10MM Socket Set

- 5 different styles of sockets ensure you can reach any fastener quickly and easily
- Set includes flex, deep, mid-length, standard and magnetic sockets of the same size
- Bright, full polish chrome finish easily wipes clean and resists corrosion
- Magnetic sockets are chrome molybdenum with manganese phosphate coating to resist corrosion
- Includes socket rail for storage and organization



Cat. No.	Included Storage	Product Weight
80319	Socket Rail	0.985 lb

Cat. No.	Description	Cat. No.	Description
80333	3/8" Drive 6 Point Metric Flex Socket 10mm	80256	1/4" Drive 6 Point Metric Flex Socket 10mm
80392	3/8" Drive 6 Point Deep Metric Socket 10mm	80145	1/4" Drive 6 Point Deep Metric Socket 10mm
80392S	3/8" Drive 6 Point Mid Length Metric Socket 10mm	80145S	1/4" Drive 6 Point Mid Length Metric Socket 10mm
80378	3/8" Drive 6 Point Standard Metric Socket 10mm	80132	1/4" Drive 6 Point Standard Metric Socket 10mm
-	3/8" Drive 6 Point Magnetic Standard Impact Socket 10mm	-	1/4" Drive 6 Point Magnetic Standard Impact Socket 10mm



10 Pc. 1/4" and 3/8" Drive 6 Point 12MM Socket Set

- 5 different styles of sockets ensure you can reach any fastener quickly and easily
- Set includes flex, deep, mid-length, standard and magnetic sockets of the same size
- Bright, full polish chrome finish easily wipes clean and resists corrosion
- Magnetic sockets are chrome molybdenum with manganese phosphate coating to resist corrosion
- Includes socket rail for storage and organization



Cat. No.	Included Storage	Product Weight
80576	Socket Rail	1.190 lb

Cat. No.	Description	Cat. No.	Description
80134	1/4" Drive 6 Point Standard Metric Socket 12mm	80380	3/8" Drive 6 Point Standard Metric Socket 12mm
80147S	1/4" Drive 6 Point Mid Length Metric Socket 12mm	80394S	3/8" Drive 6 Point Mid Length Metric Socket 12mm
80147	1/4" Drive 6 Point Deep Metric Socket 12mm	80394D	3/8" Drive 6 Point Deep Metric Socket 12mm
80258	1/4" Drive 6 Point Metric Flex Socket 12mm	80335	3/8" Drive 6 Point Metric Flex Socket 12mm
-	1/4" Drive 6 Point Magnetic Standard Impact Socket 12mm	-	3/8" Drive 6 Point Magnetic Standard Impact Socket 12mm



1/4" Drive External Torx® Sockets

- For use with external torx fasteners
- Black oxide finish is corrosion resistant
- Heat-treated socket for durability
- Hard stamped size markings
- For use with manual drive tools only



Cat. No.	Drive Type	Fastener Size	Dim. A: Drive End	Dim. B: Nose Diameter	Dim. C: Overall Length	Dim. D: Bolt Clearance	Dim. E: Bolt Depth	Product Weight
80186	External Torx®	E4	0.508 in	0.251 in	0.984 in	0.078 in	0.137 in	0.13 lb
80187	External Torx®	E5	0.508 in	0.295 in	0.984 in	0.098 in	0.196 in	0.13 lb
80188D	External Torx®	E6	0.508 in	0.322 in	0.984 in	0.11 in	0.255 in	0.13 lb
80189	External Torx®	E7	0.508 in	0.370 in	0.984 in	0.15 in	0.255 in	0.13 lb
80190	External Torx®	E8	0.508 in	0.437 in	0.984 in	0.15 in	0.255 in	0.13 lb

1/4" Drive Deep External Torx® Sockets

- For use with external torx fasteners
- Heat treated for maximum durability
- Double line (SAE) and knurled (metric) ring help easily identify standard and metric sockets
- Hard stamped size markings
- Bright, full polish chrome finish easily wipes clean and resists corrosion
- Meets or exceeds ASME specifications



Cat. No.	Drive Type	Fastener Size	Dim. A: Drive End	Dim. B: Nose Diameter	Dim. C: Overall Length	Product Weight
80191	External Torx®	E4	0.470 in	0.224 in	1.968 in	0.20 lb
80192	External Torx®	E5	0.470 in	0.275 in	1.968 in	0.20 lb
80193	External Torx®	E6	0.470 in	0.314 in	1.968 in	0.20 lb
80194	External Torx®	E7	0.470 in	0.354 in	1.968 in	0.20 lb
80195	External Torx®	E8	0.470 in	0.393 in	1.968 in	0.20 lb
80196	External Torx®	E10	0.470 in	0.47 in	1.968 in	0.20 lb
80243	External Torx®	E11	0.470 in	-	1.968 in	0.25 lb

1/4" Drive Stubby Bit Drivers

- Short overall length provides better access in tight spaces
- S2 steel for strength and durability
- Hard stamped size markings
- Satin finish for corrosion protection and simple cleaning
- Compact design provides additional access compared to standard bit sockets



Cat. No.	Drive Type	Fastener Size	Dim. A: Drive End	Dim. C: Overall Length	Product Weight
81176	Phillips®	#1	0.472 in	0.98 in	0.02 lb
81177	Phillips®	#2	0.472 in	0.98 in	0.02 lb
81178	Phillips®	#3	0.472 in	0.98 in	0.02 lb
81179	Phillips®	#4	0.472 in	0.98 in	0.02 lb
81164	Slotted	3.5 mm	0.472 in	0.98 in	0.02 lb
81165	Slotted	4 mm	0.472 in	0.98 in	0.02 lb
81166	Slotted	5.5 mm	0.472 in	0.98 in	0.02 lb
81167	Slotted	8 mm	0.472 in	0.98 in	0.02 lb
81168	Slotted	10 mm	0.472 in	0.98 in	0.02 lb
81169	Slotted	12 mm	0.472 in	0.98 in	0.02 lb

1/4" Drive Stubby Triple Square Bit Drivers

- Short overall length provides better access in tight spaces
- S2 steel for strength and durability
- Hard stamped size markings
- Satin finish for corrosion protection and simple cleaning
- Compact design provides additional access compared to standard bit sockets



Cat. No.	SAE/Metric	Fastener Size	Dim. A: Drive End	Dim. C: Overall Length	Dim. D: Bit Length	Product Weight
81090	Metric	4 mm	0.472 in	0.98 in	0.187 in	0.02 lb
81091	Metric	5 mm	0.472 in	0.98 in	0.187 in	0.02 lb
81092	Metric	6 mm	0.472 in	0.98 in	0.187 in	0.02 lb

3/8" Drive Stubby Universal Tamper Proof Torx® Bit Sockets

- For use with tamper proof security fasteners
- Universal joint allows for greater access
- Bits made of S2 steel for strength and durability
- Optimized overall length provides even more access in tight spaces
- Hard stamped size markings
- Bright, full polish chrome finish easily wipes clean and resists corrosion



Cat. No.	Fastener Size	Dim. A: Drive End	Dim. B: Nose Diameter	Dim. C: Overall Length	Exposed Bit Length	Product Weight
81047	T40	0.74 in	0.74 in	2.48 in	0.551 in	0.17 lb
81048	T45	0.74 in	0.74 in	2.48 in	0.551 in	0.17 lb
81049	T50	0.74 in	0.74 in	2.48 in	0.551 in	0.17 lb
81050	T55	0.74 in	0.74 in	2.48 in	0.551 in	0.17 lb

3/8" Drive External Torx® Sockets

- For use with external torx fasteners
- Black oxide finish is corrosion resistant
- Heat treated socket for durability
- Hard stamped size markings
- For use with manual drive tools only



Cat. No.	Fastener Size	Dim. A: Drive End	Dim. B: Nose Diameter	Dim. C: Overall Length	Dim. D: Bolt Clearance	Product Weight
80460	E10	0.75 in	0.75 in	1.24 in	0.196 in	0.12 lb
80461	E12	0.75 in	0.75 in	1.24 in	0.314 in	0.14 lb
80462	E14	0.75 in	0.75 in	1.24 in	0.314 in	0.16 lb
80463	E16	0.75 in	0.75 in	1.24 in	0.314 in	0.18 lb

3/8" Drive Universal External Torx® Sockets

- Universal joint allows for greater access
- Hard stamped size markings
- Bright, full polish chrome finish easily wipes clean and resists corrosion

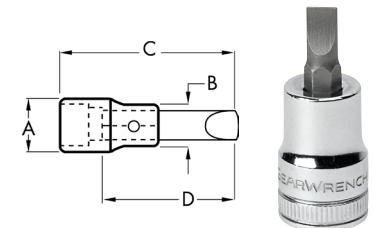


Cat. No.	Fastener Size	Dim. A: Drive End	Dim. C: Overall Length	Product Weight
80976	E4	0.74 in	2.05 in	0.13 lb
80977	E5	0.74 in	2.05 in	0.13 lb
80978	E6	0.74 in	2.05 in	0.13 lb
80979	E7	0.74 in	2.05 in	0.13 lb

Cat. No.	Fastener Size	Dim. A: Drive End	Dim. C: Overall Length	Product Weight
80980	E8	0.74 in	2.05 in	0.13 lb
80981	E10	0.74 in	2.05 in	0.14 lb
80982	E12	0.74 in	2.05 in	0.14 lb
80983	E14	0.74 in	2.05 in	0.14 lb
80984	E16	0.74 in	2.05 in	0.14 lb

3/8" Drive Bit Sockets

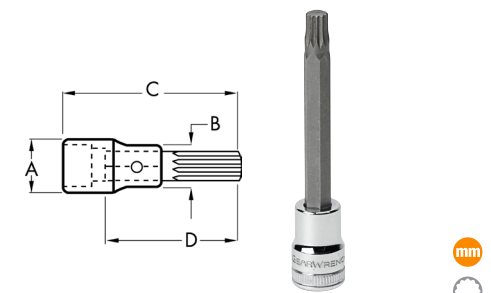
- Heat-treated socket base for durability
- S2 steel insert bits offer maximum strength
- Double line (SAE) and knurled (metric) ring help easily identify standard and metric sockets
- Hard stamped size markings
- Bright, full polish chrome finish easily wipes clean and resists corrosion
- Meets or exceeds ASME specifications



Cat. No.	Drive Type	Fastener Size	Dim. A: Drive End	Dim. B: Nose Diameter	Dim. C: Overall Length	Dim. D: Bit Length	Product Weight
80464	Slotted	4 mm	0.688 in	0.590 in	1.653 in	0.984 in	0.09 lb
80465	Slotted	5 mm	0.688 in	0.590 in	1.653 in	0.984 in	0.10 lb
80466	Slotted	6 mm	0.688 in	0.590 in	1.653 in	0.984 in	0.10 lb
80467	Phillips®	#1	0.688 in	0.590 in	1.653 in	0.984 in	0.09 lb
80468	Phillips®	#2	0.688 in	0.590 in	1.653 in	0.984 in	0.09 lb
80469	Phillips®	#3	0.688 in	0.590 in	1.653 in	0.984 in	0.10 lb
80470	Pozidriv®	#2	0.688 in	0.590 in	1.653 in	0.984 in	0.09 lb

3/8" Drive Triple Square Bit Sockets

- S2 steel insert bits offer maximum strength
- Heat-treated socket base for durability
- Hard stamped size markings
- Double line (SAE) and knurled (metric) ring help easily identify standard and metric sockets
- Bright, full polish chrome finish easily wipes clean and resists corrosion
- Meets or exceeds ASME specifications



Cat. No.	Fastener Size	Dim. A: Drive End	Dim. B: Nose Diameter	Dim. C: Overall Length	Dim. D: Bit Length	Product Weight
80449	6 mm	0.69 in	0.313 in	3.15 in	2.48 in	0.15 lb
80736	8 mm	0.7 in	0.618 in	1.89 in	1.181 in	0.09 lb
80450	8 mm	0.69 in	0.313 in	3.66 in	3.66 in	0.15 lb
80868	8 mm	0.7 in	0.618 in	3.94 in	3.228 in	0.14 lb

3/8" Drive Stubby Triple Square Bit Drivers

- Short overall length provides better access in tight spaces
- S2 steel for strength and durability
- Hard stamped size markings
- Satin finish for corrosion protection and simple cleaning
- Compact design provides additional access compared to standard bit sockets



Cat. No.	SAE/Metric	Fastener Size	Dim. A: Drive End	Dim. C: Overall Length	Dim. D: Bit Length	Exposed Bit Length	Product Weight
81093	Metric	8 mm	0.701 in	0.98 in	0.346 in	0.346 in	0.07 lb
81094	Metric	10 mm	0.701 in	1.44 in	0.346 in	0.346 in	0.07 lb
81095	Metric	12 mm	0.701 in	1.44 in	0.401 in	0.401 in	0.07 lb
81096	Metric	14 mm	0.701 in	1.44 in	0.427 in	0.427 in	0.09 lb
81097	Metric	16 mm	0.701 in	1.44 in	0.553 in	0.553 in	0.10 lb
81098	Metric	18 mm	0.701 in	1.44 in	0.56 in	0.56 in	0.11 lb

49 Pc. 1/2" Drive 120XP™ 6 Point SAE/Metric Standard and Deep Mechanics Tool Set

- 120XP ratchets have two double stacked 60-tooth pawls (120 positions) providing a 3° swing arc so you can turn fasteners in tighter confines
- Double-stacked pawls alternately engage the 60-tooth gear, providing exceptional strength
- Sockets feature off-corner loading design reduces fastener rounding
- Extension bars features a knurled grip, providing a non slip surface
- Bright, full polish chrome finish easily wipes clean and resists corrosion
- Hard stamped size markings
- Includes blow mold case for storage and organization
- Meets or exceeds ASME specifications



Cat. No.	Included Storage	Product Weight
80700P	Blow Mold Case	10.05 lb

Cat. No.	Description	Cat. No.	Description
81304P	1/2" Drive 120XP™ Teardrop Ratchet 11"	80631	1/2" Drive 6 Point Standard Metric Socket 19mm
81340	1/2" Drive Extension 3"	80632	1/2" Drive 6 Point Standard Metric Socket 20mm
81341	1/2" Drive Extension 5"	80633	1/2" Drive 6 Point Standard Metric Socket 21mm
80600D	1/2" Drive Universal Joint	80634	1/2" Drive 6 Point Standard Metric Socket 22mm
80602	1/2" Drive 6 Point Standard SAE Socket 7/16"	80635	1/2" Drive 6 Point Standard Metric Socket 23mm
80603	1/2" Drive 6 Point Standard SAE Socket 1/2"	80636D	1/2" Drive 6 Point Standard Metric Socket 24mm
80604	1/2" Drive 6 Point Standard SAE Socket 9/16"	80614	1/2" Drive 6 Point Deep SAE Socket 1/2"
80605	1/2" Drive 6 Point Standard SAE Socket 5/8"	80615	1/2" Drive 6 Point Deep SAE Socket 9/16"
80606	1/2" Drive 6 Point Standard SAE Socket 11/16"	80616	1/2" Drive 6 Point Deep SAE Socket 5/8"
80607D	1/2" Drive 6 Point Standard SAE Socket 3/4"	80617	1/2" Drive 6 Point Deep SAE Socket 11/16"
80608	1/2" Drive 6 Point Standard SAE Socket 13/16"	80618	1/2" Drive 6 Point Deep SAE Socket 3/4"
80609	1/2" Drive 6 Point Standard SAE Socket 7/8"	80619	1/2" Drive 6 Point Deep SAE Socket 13/16"
80610D	1/2" Drive 6 Point Standard SAE Socket 15/16"	80620	1/2" Drive 6 Point Deep SAE Socket 7/8"
80611	1/2" Drive 6 Point Standard SAE Socket 1"	80621	1/2" Drive 6 Point Deep SAE Socket 15/16"
80612	1/2" Drive 6 Point Standard SAE Socket 1-1/16"	80637	1/2" Drive 6 Point Deep Metric Socket 10mm

Cat. No.	Description	Cat. No.	Description
80613	1/2" Drive 6 Point Standard SAE Socket 1-1/8"	80638	1/2" Drive 6 Point Deep Metric Socket 11mm
80622	1/2" Drive 6 Point Standard Metric Socket 10mm	80639	1/2" Drive 6 Point Deep Metric Socket 12mm
80623	1/2" Drive 6 Point Standard Metric Socket 11mm	80640	1/2" Drive 6 Point Deep Metric Socket 13mm
80624	1/2" Drive 6 Point Standard Metric Socket 12mm	80641	1/2" Drive 6 Point Deep Metric Socket 14mm
80625	1/2" Drive 6 Point Standard Metric Socket 13mm	80642	1/2" Drive 6 Point Deep Metric Socket 15mm
80626D	1/2" Drive 6 Point Standard Metric Socket 14mm	80643	1/2" Drive 6 Point Deep Metric Socket 16mm
80627	1/2" Drive 6 Point Standard Metric Socket 15mm	80644	1/2" Drive 6 Point Deep Metric Socket 17mm
80628	1/2" Drive 6 Point Standard Metric Socket 16mm	80645	1/2" Drive 6 Point Deep Metric Socket 18mm
80629	1/2" Drive 6 Point Standard Metric Socket 17mm	80646D	1/2" Drive 6 Point Deep Metric Socket 19mm
80630	1/2" Drive 6 Point Standard Metric Socket 18mm		

49 Pc. 1/2" Drive 6 Point SAE/Metric Standard and Deep Mechanics Tool Set

- 90-tooth gear delivers a 4° swing arc to turn a fastener in tight confines
- Full polish chrome sockets with large hard-stamped size markings
- Knurled full polish chrome extensions
- Sockets feature off-corner loading design to reduce fastener rounding
- Includes blow mold case for storage and organization
- Meets or exceeds ASME specifications



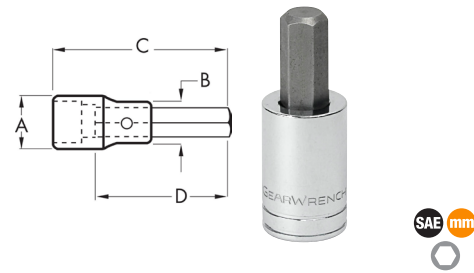
Cat. No.	Included Storage	Product Weight
80700D	Blow Mold Case	9.09 lb

Cat. No.	Description	Cat. No.	Description
81304T	1/2" Drive 90-Tooth Teardrop Ratchet 11"	80631	1/2" Drive 6 Point Standard Metric Socket 19mm
81340	1/2" Drive Extension 3"	80632	1/2" Drive 6 Point Standard Metric Socket 20mm
81341	1/2" Drive Extension 5"	80633	1/2" Drive 6 Point Standard Metric Socket 21mm
80600D	1/2" Drive Universal Joint	80634	1/2" Drive 6 Point Standard Metric Socket 22mm
80602	1/2" Drive 6 Point Standard SAE Socket 7/16"	80635	1/2" Drive 6 Point Standard Metric Socket 23mm
80603	1/2" Drive 6 Point Standard SAE Socket 1/2"	80636D	1/2" Drive 6 Point Standard Metric Socket 24mm
80604	1/2" Drive 6 Point Standard SAE Socket 9/16"	80614	1/2" Drive 6 Point Deep SAE Socket 1/2"
80605	1/2" Drive 6 Point Standard SAE Socket 5/8"	80615	1/2" Drive 6 Point Deep SAE Socket 9/16"
80606	1/2" Drive 6 Point Standard SAE Socket 11/16"	80616	1/2" Drive 6 Point Deep SAE Socket 5/8"
80607D	1/2" Drive 6 Point Standard SAE Socket 3/4"	80617	1/2" Drive 6 Point Deep SAE Socket 11/16"
80608	1/2" Drive 6 Point Standard SAE Socket 13/16"	80618	1/2" Drive 6 Point Deep SAE Socket 3/4"
80609	1/2" Drive 6 Point Standard SAE Socket 7/8"	80619	1/2" Drive 6 Point Deep SAE Socket 13/16"
80610D	1/2" Drive 6 Point Standard SAE Socket 15/16"	80620	1/2" Drive 6 Point Deep SAE Socket 7/8"
80611	1/2" Drive 6 Point Standard SAE Socket 1"	80621	1/2" Drive 6 Point Deep SAE Socket 15/16"
80612	1/2" Drive 6 Point Standard SAE Socket 1-1/16"	80637	1/2" Drive 6 Point Deep Metric Socket 10mm
80613	1/2" Drive 6 Point Standard SAE Socket 1-1/8"	80638	1/2" Drive 6 Point Deep Metric Socket 11mm
80622	1/2" Drive 6 Point Standard Metric Socket 10mm	80639	1/2" Drive 6 Point Deep Metric Socket 12mm
80623	1/2" Drive 6 Point Standard Metric Socket 11mm	80640	1/2" Drive 6 Point Deep Metric Socket 13mm
80624	1/2" Drive 6 Point Standard Metric Socket 12mm	80641	1/2" Drive 6 Point Deep Metric Socket 14mm
80625	1/2" Drive 6 Point Standard Metric Socket 13mm	80642	1/2" Drive 6 Point Deep Metric Socket 15mm

Continued on next page

1/2" Drive Hex Bit Sockets

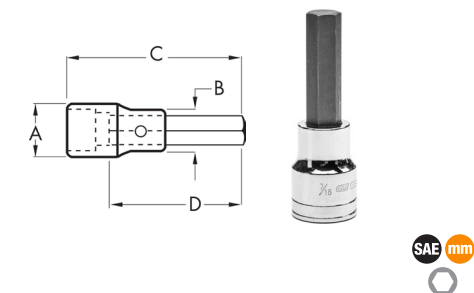
- Heat-treated socket base for durability
- S2 steel insert bits offer maximum strength
- Double line (SAE) and knurled (metric) ring help easily identify standard and metric sockets
- Hard stamped size markings
- Bright, full polish chrome finish easily wipes clean and resists corrosion
- Meets or exceeds ASME specifications



Cat. No.	SAE/Metric	Fastener Size	Dim. A: Drive End	Dim. B: Nose Diameter	Dim. C: Overall Length	Dim. D: Bit Length	Product Weight
80651	SAE	5/16 in	0.944 in	0.665 in	2.48 in	1.49 in	0.21 lb
80652	SAE	3/8 in	0.944 in	0.700 in	2.48 in	1.49 in	0.23 lb
80653	SAE	7/16 in	0.944 in	0.748 in	2.48 in	1.49 in	0.24 lb
80654	SAE	1/2 in	0.944 in	0.944 in	2.48 in	1.49 in	0.28 lb
80655	SAE	9/16 in	1.023 in	1.023 in	2.48 in	1.49 in	0.33 lb
80656	SAE	5/8 in	1.023 in	1.023 in	2.48 in	1.49 in	0.34 lb
80657	Metric	3/4 in	1.102 in	1.102 in	2.48 in	1.49 in	0.44 lb
80658	Metric	6 mm	0.944 in	0.665 in	2.48 in	1.49 in	0.21 lb
80659	Metric	8 mm	0.944 in	0.665 in	2.48 in	1.49 in	0.23 lb
80660	Metric	10 mm	0.944 in	0.748 in	2.48 in	1.49 in	0.24 lb
80661	Metric	12 mm	0.944 in	0.944 in	2.48 in	1.49 in	0.28 lb
80662	Metric	14 mm	1.023 in	1.023 in	2.48 in	1.49 in	0.33 lb
80663	Metric	17 mm	1.102 in	1.102 in	2.48 in	1.49 in	0.34 lb
80664	Metric	19 mm	1.102 in	1.102 in	2.48 in	1.49 in	0.44 lb

1/2" Drive Mid Length Hex Bit Sockets

- Mid-length hex bit for additional access to hard-to-reach fasteners
- S2 steel insert bits offer maximum strength
- Heat-treated socket bases provide lasting durability
- Double line (SAE) and knurled (metric) ring help easily identify standard and metric sockets
- Hard stamped size markings
- Bright, full polish chrome finish easily wipes clean and resists corrosion
- Meets or exceeds ASME specifications

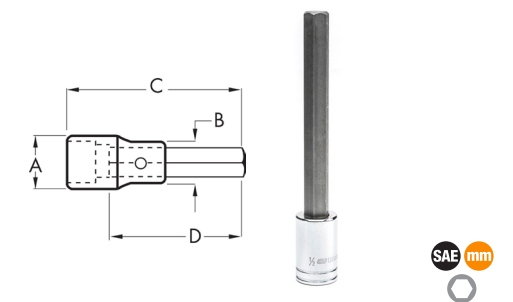


Cat. No.	SAE/Metric	Fastener Size	Dim. A: Drive End	Dim. B: Nose Diameter	Dim. C: Overall Length	Dim. D: Bit Length	Product Weight
82555	SAE	1/4 in	0.87 in	0.67 in	3.27 in	2.17 in	0.200 lb
82556	SAE	5/16 in	0.94 in	0.67 in	3.27 in	2.17 in	0.220 lb
82557	SAE	3/8 in	0.94 in	0.7 in	3.27 in	2.17 in	0.250 lb
82558	SAE	7/16 in	0.94 in	0.75 in	3.27 in	2.17 in	0.300 lb
82559	SAE	1/2 in	0.94 in	0.94 in	3.7 in	2.6 in	0.360 lb
82560	SAE	9/16 in	1.02 in	1.02 in	3.7 in	2.6 in	0.440 lb
82561	SAE	5/8 in	1.1 in	1.1 in	3.98 in	2.87 in	0.510 lb
82562	SAE	3/4 in	1.1 in	1.1 in	3.98 in	2.87 in	0.630 lb
82571	Metric	6 mm	0.87 in	0.67 in	3.19 in	2.09 in	0.200 lb
82572	Metric	8 mm	0.94 in	0.67 in	3.19 in	2.09 in	0.220 lb
82573	Metric	10 mm	0.94 in	0.75 in	3.19 in	2.09 in	0.250 lb

Cat. No.	SAE/Metric	Fastener Size	Dim. A: Drive End	Dim. B: Nose Diameter	Dim. C: Overall Length	Dim. D: Bit Length	Product Weight
82574	Metric	12 mm	0.94 in	0.94 in	3.66 in	2.56 in	0.350 lb
82575	Metric	14 mm	1.02 in	1.02 in	3.66 in	2.87 in	0.430 lb
82576	Metric	17 mm	1.1 in	1.1 in	3.98 in	2.87 in	0.590 lb
82577	Metric	19 mm	1.1 in	1.1 in	3.98 in	4.88 in	0.620 lb

1/2" Drive Long Length Hex Bit Sockets

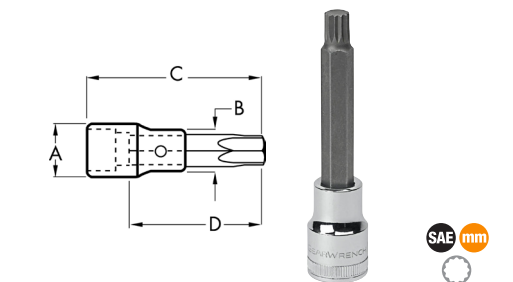
- Long length hex bit for additional access to hard-to-reach fasteners
- S2 steel insert bits offer maximum strength
- Heat-treated socket bases provide lasting durability
- Double line (SAE) and knurled (metric) ring help easily identify standard and metric sockets
- Hard stamped size markings
- Bright, full polish chrome finish easily wipes clean and resists corrosion
- Meets or exceeds ASME specifications



Cat. No.	SAE/Metric	Fastener Size	Dim. A: Drive End	Dim. B: Nose Diameter	Dim. C: Overall Length	Dim. D: Bit Length	Product Weight
82564	SAE	1/4 in	0.87 in	0.67 in	5 in	3.9 in	0.230 lb
82565	SAE	5/16 in	0.94 in	0.67 in	5 in	3.9 in	0.260 lb
82566	SAE	3/8 in	0.94 in	0.70 in	5.98 in	4.88 in	0.340 lb
82567	SAE	1/2 in	0.94 in	0.94 in	5.98 in	4.88 in	0.500 lb
82568	SAE	9/16 in	1.02 in	1.02 in	7.01 in	5.91 in	0.700 lb
82569	SAE	5/8 in	1.1 in	1.1 in	7.01 in	5.91 in	0.790 lb
82579	Metric	6 mm	0.87 in	0.67 in	4.69 in	3.58 in	0.220 lb
82580	Metric	8 mm	0.94 in	0.67 in	4.69 in	3.58 in	0.260 lb
82581	Metric	10 mm	0.94 in	0.75 in	5.98 in	3.58 in	0.360 lb
82582	Metric	12 mm	0.94 in	0.94 in	5.98 in	4.88 in	0.480 lb
82583	Metric	14 mm	1.02 in	1.02 in	7.01 in	5.91 in	0.680 lb
82584	Metric	17 mm	1.1 in	1.1 in	7.01 in	5.91 in	0.930 lb

1/2" Drive Triple Square Bit Sockets

- Heat-treated socket base for durability
- S2 steel insert bits offer maximum strength
- Double line (SAE) and knurled (metric) ring help easily identify standard and metric sockets
- Hard stamped size markings
- Bright, full polish chrome finish easily wipes clean and resists corrosion
- Meets or exceeds ASME specifications



Cat. No.	SAE/Metric	Length Format	Fastener Size	Dim. A: Drive End	Dim. B: Nose Diameter	Dim. C: Overall Length	Dim. D: Bit Length	Product Weight
80737	Metric	Stubby	10 mm	0.858 in	0.697 in	2.17 in	1.181 in	0.16 lb
80738	Metric	Stubby	12 mm	0.937 in	0.817 in	2.17 in	1.181 in	0.21 lb

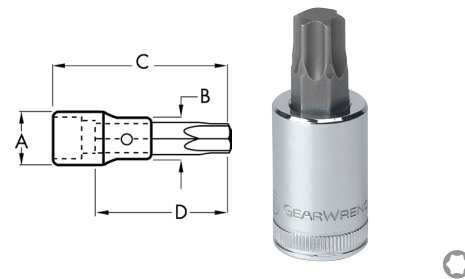
Continued on next page

1/2" Drive Triple Square Bit Sockets ■ *Continued from previous page*

Cat. No.	SAE/Metric	Length Format	Fastener Size	Dim. A: Drive End	Dim. B: Nose Diameter	Dim. C: Overall Length	Dim. D: Bit Length	Product Weight
80739	Metric	Stubby	14 mm	0.937 in	0.865 in	2.17 in	1.181 in	0.23 lb
80740	Metric	Stubby	16 mm	1.015 in	0.959 in	2.17 in	1.181 in	0.30 lb
80741	Metric	Stubby	18 mm	1.094 in	1.040 in	2.17 in	1.181 in	0.36 lb
80869	Metric	Long	10 mm	0.858 in	0.697 in	3.94 in	2.952 in	0.23 lb
80870	Metric	Long	12 mm	0.937 in	0.817 in	3.94 in	2.952 in	0.31 lb
80871	Metric	Long	14 mm	0.937 in	0.878 in	3.94 in	2.952 in	0.36 lb
80872	Metric	Long	16 mm	1.015 in	0.96 in	3.94 in	2.952 in	0.49 lb
80665	Metric	Extra Long	10 mm	0.944 in	0.748 in	4.21 in	3.180 in	0.38 lb
80666	Metric	Extra Long	12 mm	0.944 in	0.944 in	4.68 in	3.660 in	0.38 lb

1/2" Drive Torx® Bit Sockets

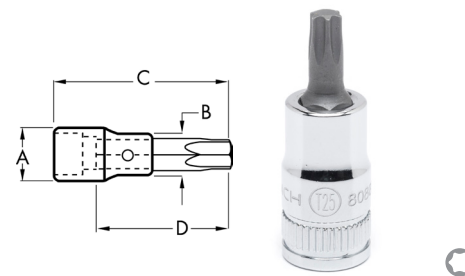
- Heat-treated socket base for durability
- S2 steel insert bits offer maximum strength
- Double line (SAE) and knurled (metric) ring help easily identify standard and metric sockets
- Hard stamped size markings
- Bright, full polish chrome finish easily wipes clean and resists corrosion
- Meets or exceeds ASME specifications



Cat. No.	Fastener Size	Dim. A: Drive End	Dim. B: Nose Diameter	Dim. C: Overall Length	Dim. D: Bit Length	Product Weight
80667	T60	0.944 in	0.944 in	2.48 in	1.49 in	0.30 lb

1/2" Drive Stubby Torx® Bit Sockets

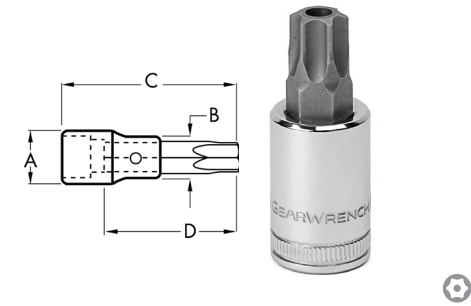
- Reduced overall bit length provides better access in tight spaces
- S2 steel insert bits offer maximum strength
- Heat-treated socket base for durability
- Hard stamped size markings
- Bright, full polish chrome finish easily wipes clean and resists corrosion
- Meets or exceeds ASME specifications



Cat. No.	Fastener Size	Dim. A: Drive End	Dim. B: Nose Diameter	Dim. C: Overall Length	Dim. D: Bit Length	Product Weight
80894	T55	0.858 in	0.700 in	2.15 in	1.181 in	0.16 lb
80896	T60	0.937 in	0.817 in	2.15 in	1.181 in	0.16 lb

1/2" Drive Tamper-Proof Torx® Bit Sockets

- For use with tamper-proof security fasteners
- Heat-treated socket base for durability
- S2 steel insert bits offer maximum strength
- Double line (SAE) and knurled (metric) ring help easily identify standard and metric sockets
- Hard stamped size markings
- Bright, full polish chrome finish easily wipes clean and resists corrosion
- Meets or exceeds ASME specifications



Cat. No.	Fastener Size	Dim. A: Drive End	Dim. B: Nose Diameter	Dim. C: Overall Length	Dim. D: Bit Length	Product Weight
80668	T60	0.944 in	0.944 in	2.48 in	1.49 in	0.30 lb

1/2" Drive External Torx® Sockets

- For use with External Torx® fasteners
- Black oxide finish is corrosion resistant
- Heat treated socket for durability
- Hard stamped size markings
- For use with manual drive tools only



Cat. No.	Fastener Size	Dim. A: Drive End	Dim. B: Nose Diameter	Dim. C: Overall Length	Product Weight
80669D	E18	0.944 in	0.944 in	1.5 in	0.30 lb
80670	E20	0.944 in	0.944 in	1.75 in	0.34 lb
80672	E22	1.125 in	1.125 in	2 in	0.36 lb
80673	E24	1.125 in	1.125 in	2 in	0.38 lb

27 Pc. 3/4" Drive 12 Point SAE Mechanics Tool Set

- 24-tooth full polish chrome quick-release ratchet
- Full polish chrome sockets with large hard-stamped size markings
- Knurled full polish chrome extensions
- Sockets feature off-corner loading design to reduce fastener rounding
- Includes metal box for storage and organization
- Meets or exceeds ASME specifications



Cat. No.	Included Storage	Product Weight
80880	Metal Box	26.40 lb

Cat. No.	Description	Cat. No.	Description
81400	3/4" Drive 24-Tooth Quick Release Teardrop Ratchet 19-3/4"	80841	3/4" Drive 12 Point Standard SAE Socket 1-3/8"
81404	3/4" Drive Breaker Bar 19"	80852	3/4" Drive 12 Point Standard SAE Socket 1-7/16"
81401	3/4" Drive Sliding T Handle 18"	80854	3/4" Drive 12 Point Standard SAE Socket 1-1/2"
81411	3/4" Drive Extension 5"	80855D	3/4" Drive 12 Point Standard SAE Socket 1-5/8"
81412	3/4" Drive Extension 8"	80856	3/4" Drive 12 Point Standard SAE Socket 1-11/16"

■ *Continued on next page*