

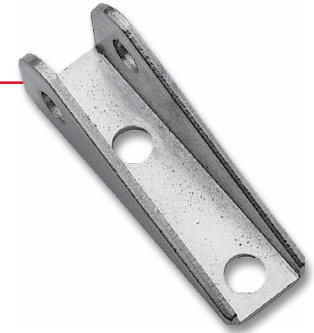
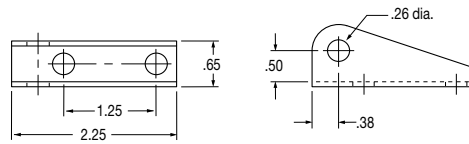
## Cable Anchor Bracket

### APPLICATION


- Allows proper rotation of cable head

### FEATURES

- Steel construction
- Zinc plated or RoadKote finish



### SPECIFICATIONS

part no.	weight (lbs.)	description	finish	package	pkg qty	cross reference
<b>025-10300</b>	.08	bracket	zinc	single	1	T #61204, W #4004, 240000
<b>025-10300-10</b>	.80	bracket	zinc	retail pack 	10	-
<b>025E10300</b>	.09	bracket	RoadKote	single	1	-

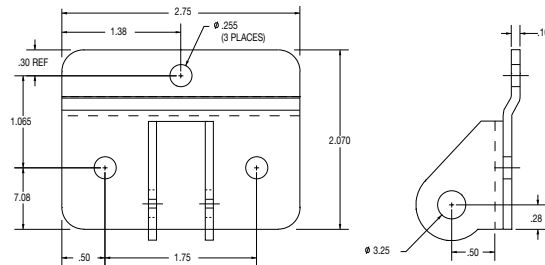
## Heavy-Duty Cable Anchor Bracket

### APPLICATION

- Allows proper rotation of cable head on flush mount 2" roller doors

### FEATURES

- Steel construction
- RoadKote finish



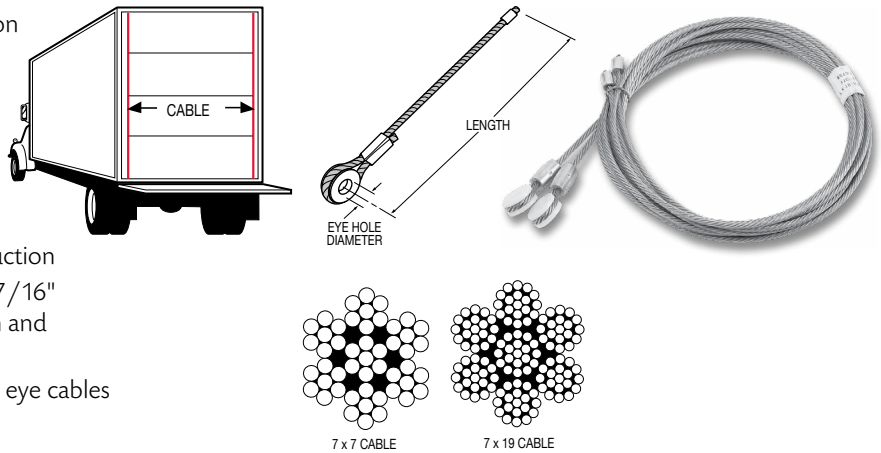
### SPECIFICATIONS

part no.	weight (lbs.)	description	finish	package	pkg qty	cross reference
<b>025-10301</b>	.23	bracket	black	single	1	W #5803

## Roll-Up Door Cables

### FEATURES






- Stainless steel or galvanized construction
- Part number represents one pair of cables in a plastic bag
- Three standard eye hole diameters: .27 (1/4"), .34 (5/16"), and .45 (7/16")
- .125" diameter, 7 x 7 or heavy-duty 7 x 19 aircraft cable construction
- Nylon eye ends are used on 1/4" and 7/16" eye cables which give superior strength and corrosion resistance
- Aluminum eye ends are used on 5/16" eye cables



### SPECIFICATIONS FOR STANDARD CABLES

part no.	weight (lbs.)	cable length (in.)	cable eye	cable construction	package	pkg qty	cross reference
025-01426	.54	97.00	1/4	7 x 19 stainless	retail pack	1 pair	W #4020-1
025-01065	.51	97.00	1/4	7 x 7 galvanized	retail pack	1 pair	-
025-01427	.64	97.00	5/16	7 x 19 stainless	retail pack	1 pair	W #1-7
025-01037	.62	97.00	5/16	7 x 7 galvanized	retail pack	1 pair	-
025-01430	.60	105.00	1/4	7 x 19 stainless	retail pack	1 pair	W #4020-1
025-01076	.60	105.00	1/4	7 x 7 galvanized	retail pack	1 pair	-
025-01431	.68	105.00	5/16	7 x 19 stainless	retail pack	1 pair	-
025-01067	.56	105.00	5/16	7 x 7 galvanized	retail pack	1 pair	-
025-01434	.62	110.00	1/4	7 x 19 stainless	retail pack	1 pair	W #4020-1
025-01029	.62	110.00	1/4	7 x 7 galvanized	retail pack	1 pair	-
025-01435	.71	110.00	5/16	7 x 19 stainless	retail pack	1 pair	W #1-8
025-01078	.67	110.00	5/16	7 x 7 galvanized	retail pack	1 pair	-
025-01438	.62	115.00	1/4	7 x 19 stainless	retail pack	1 pair	T #59004, W #4020-1
025-01031	.58	115.00	1/4	7 x 7 galvanized	retail pack	1 pair	-
025-01439	.70	115.00	5/16	7 x 19 stainless	retail pack	1 pair	-
025-01088	.70	115.00	5/16	7 x 7 galvanized	retail pack	1 pair	-
025-01442	.70	120.00	1/4	7 x 19 stainless	retail pack	1 pair	T #59003, W #4020-1
025-01069	.70	120.00	1/4	7 x 7 galvanized	retail pack	1 pair	-
025-01443	.75	120.00	5/16	7 x 19 stainless	retail pack	1 pair	-
025-01070	.75	120.00	5/16	7 x 7 galvanized	retail pack	1 pair	-
025-01446	.66	125.00	1/4	7 x 19 stainless	retail pack	1 pair	T #59003, W #4020-1
025-01074	.66	125.00	1/4	7 x 7 galvanized	retail pack	1 pair	-
025-01447	.80	125.00	5/16	7 x 19 stainless	retail pack	1 pair	W #1-1
025-01039	.77	125.00	5/16	7 x 7 galvanized	retail pack	1 pair	-
025-01450	.72	130.00	1/4	7 x 19 stainless	retail pack	1 pair	T #59003
025-01035	.67	130.00	1/4	7 x 7 galvanized	retail pack	1 pair	-
025-01451	.79	130.00	5/16	7 x 19 stainless	retail pack	1 pair	W #1-4
025-01123	.77	130.00	5/16	7 x 7 galvanized	retail pack	1 pair	-

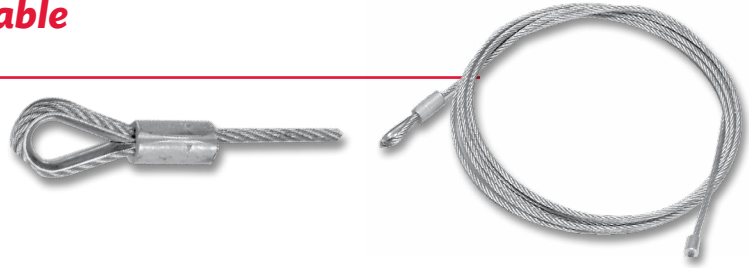
**SPECIFICATIONS FOR MISCELLANEOUS CABLES**

part no.	weight (lbs.)	cable length (in.)	cable eye	cable construction	package	pkg qty	cross reference
<b>025-01053</b>	.70	105.00	7/16	7 x 7 galvanized	retail pack 	1 pair	W #T112-1
<b>025-01055</b>	.70	110.00	7/16	7 x 7 galvanized	retail pack 	1 pair	-
<b>025-01057</b>	.72	115.00	7/16	7 x 7 galvanized	retail pack 	1 pair	W #T112-2
<b>025-01059</b>	.75	125.00	7/16	7 x 7 galvanized	retail pack 	1 pair	W #T112-3
<b>025-01075</b>	.80	130.00	7/16	7 x 7 galvanized	retail pack 	1 pair	-


**Beverage Body Roll-Up Door Cable**

**FEATURES**

- Part number represents one pair of cables
- Zinc plated tear drop



**SPECIFICATIONS FOR STANDARD CABLES**

part no.	weight (lbs.)	cable length (in.)	cable eye	cable construction	package	pkg qty
<b>025-01575</b>	.57	110.00	1/4	7 x 7 galvanized	retail pack 	1