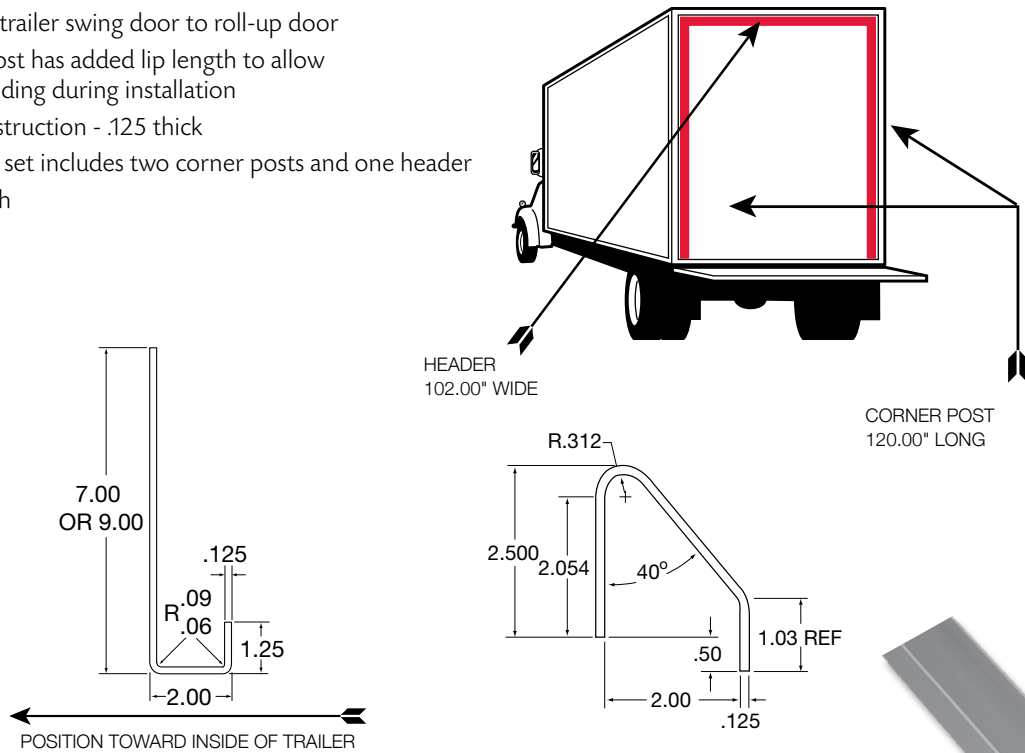


Rear Frame Conversion Bulk Sets - 2" Width

FEATURES

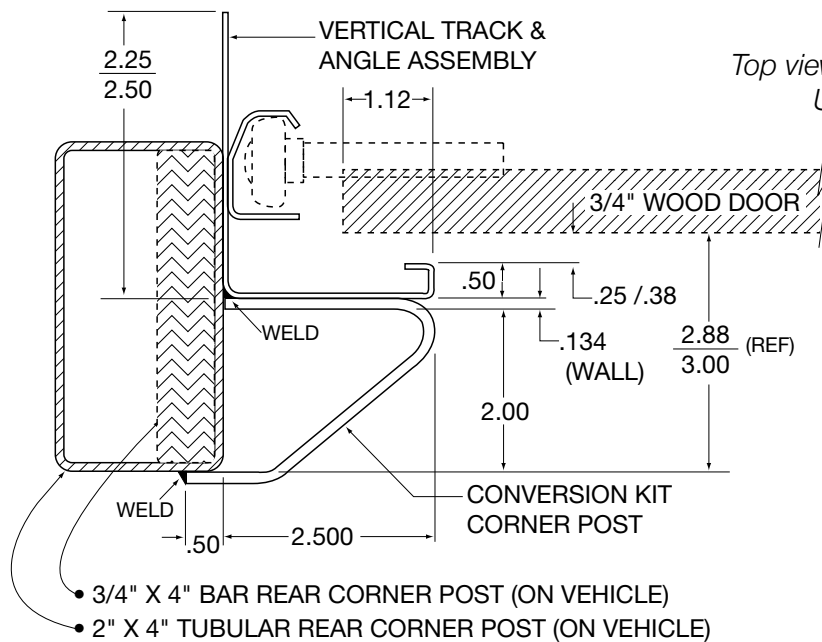
- Converts trailer swing door to roll-up door
- Corner post has added lip length to allow easier welding during installation
- Steel construction - .125 thick
- Each bulk set includes two corner posts and one header
- Plain finish



SPECIFICATIONS

part no.	weight (lbs.)	description	package	pkg qty
025-60407	89.22	conversion with 7" header - 2" wide	bulk set	1
025-60409	103.35	conversion with 9" header - 2" wide	bulk set	1
025-60410	26.82	corner post only - 2" wide x 120" long	single	1
025-60411	35.58	7" header only - 2" wide x 102" long	single	1
025-60412	48.90	9" header only - 2" wide x 102" long	single	1

ROLL-UP DOOR CONVERSION KIT



Top view of installation shown,
Using 1.00" roller

- 3/4" X 4" BAR REAR CORNER POST (ON VEHICLE)
- 2" X 4" TUBULAR REAR CORNER POST (ON VEHICLE)