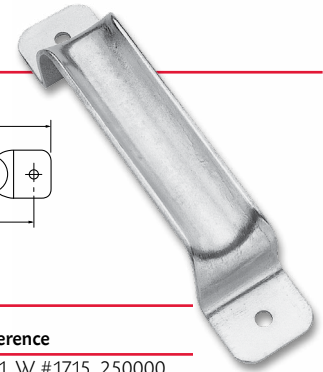
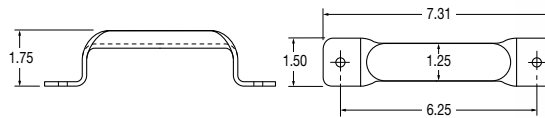


## Heavy-Duty Lift Handle

### FEATURES

- Heavy-duty, wide grip design
- Zinc plated, powder coated, or RoadKote finish



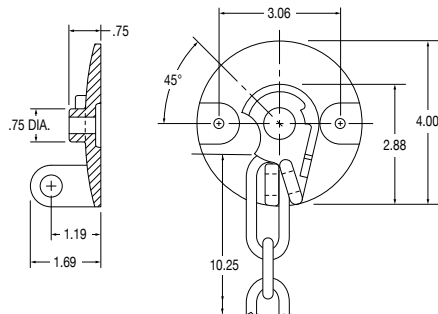
### SPECIFICATIONS

part no.	weight (lbs.)	finish	package	pkg qty	cross reference
<b>025-10311</b>	.45	zinc	single	1	T #61401, W #1715, 250000
<b>025-10330</b>	.50	RoadKote/powder coat	single	1	T #61401, W #1715, 250000
<b>025E10311</b>	.46	RoadKote	single	1	-

## Safety Chain Keeper

### FEATURES

- Adds additional security to your door
- Spring loaded cast steel
- Zinc plated finish



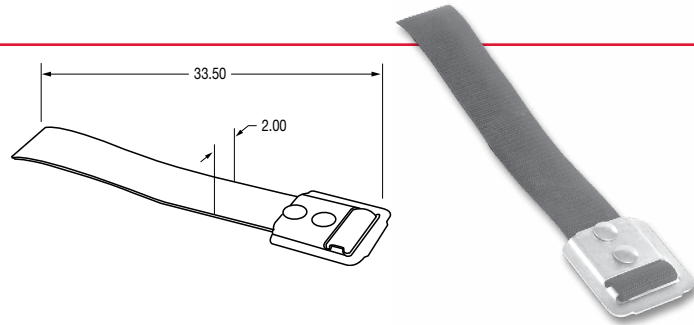
### SPECIFICATIONS

part no.	weight (lbs.)	description	package	pkg qty	cross reference
<b>025-10600</b>	2.25	keeper and chain	bulk set	1	T #69020 and W #4132
<b>025-10601</b>	1.75	keeper only	single	1	T #61223 and W #4110
<b>025-10602</b>	.50	zinc chain only	single	1	T #61229 and W #4126

## Pull Strap Assemblies

### FEATURES

- Durable 2.00" wide, black nylon construction for added strength and durability
- Custom lengths available
- Assemblies available with 025-10331, 025-10432, or 025E10432 H.D. pull strap retainer (below)



### SPECIFICATIONS

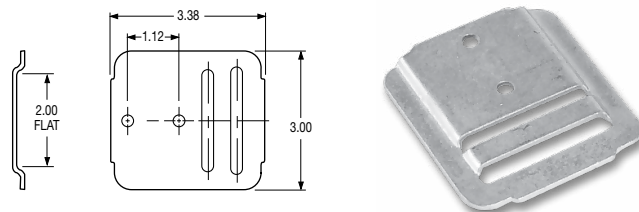
part no.	weight (lbs.)	description	retainer and rivet finish	package	pkg qty	cross reference
025-10402	.35	15.50" assembly	zinc, zinc rivets	single	1	257000
025-10403	.33	29.50" assembly	zinc, zinc rivets		single	1 -
025E10402	.25	15.50" assembly	RoadKote, zinc rivets		single	1 -
025E10403	.35	29.50" assembly	RoadKote, zinc rivets		single	1 -
025-10334	.33	33.50" assembly	RoadKote/powder coat, zinc rivets	single	1	-
025-10335	.33	33.50" assembly	RoadKote/powder coat, stainless steel rivets	single	1	-
025-10420	.10	18" strap only	n/a	single	1	T #80844
025-10421	.15	32" strap only	n/a	single	1	-

ROLL-UP DOOR HARDWARE – LIFT HANDLES & PULL STRAPS

## Heavy-Duty Pull Strap Retainer

### FEATURES

- 3.00" x 3.00" construction
- Zinc plated, RoadKote or RoadKote/powder coat
- Standard retainer used on all roll-up doors and bottom panels with pull straps



### SPECIFICATIONS

part no.	weight (lbs.)	finish	package	pkg qty	cross reference
025-10331	.20	RoadKote/powder coat	single	1	T #69832, W#4040
025-10432	.20	zinc	single	1	T #69832, W#4040
025E10432	.219	RoadKote	single	1	-

## Nylon Belting (100 Yard Roll)

### FEATURES

- 2.00" wide black nylon construction for added strength and durability



### SPECIFICATIONS

part no.	weight (lbs.)	package	pkg qty
025-10430	7.80	single	1