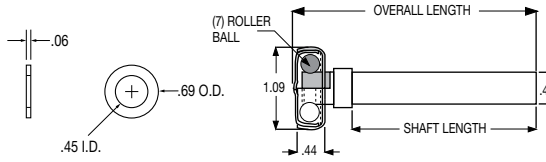


1.00" Door Roller

FEATURES

- Steel construction, zinc plated finish
- Hardened shaft and raceways
- Seven roller ball design
- Washers used as spacers to keep door alignment square with track (page 190)



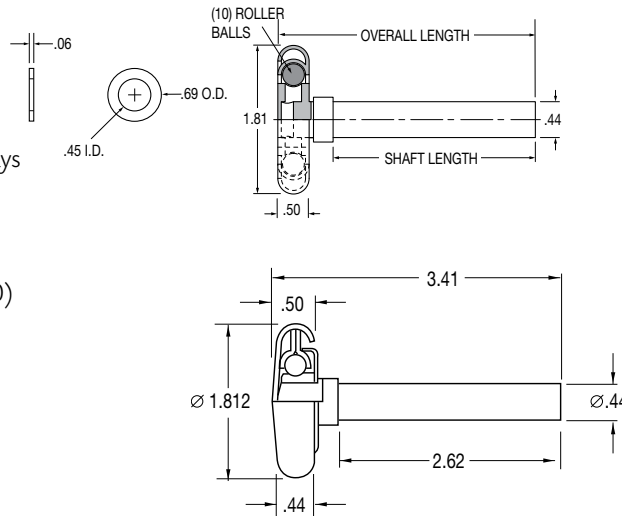
SPECIFICATIONS

part no.	weight (lbs.)	description	overall length (in.)	shaft length	package	pkg qty	cross reference
025-10100	.21	steel roller	3.25	2.50	single	1	T #61174, T #69162, W #4026, W #4027, 291000
025-10100-10	2.10	steel roller	3.25	2.50	retail pack	10	-
025-10105	.25	roller w/longer shaft	4.09	3.25	single	1	-
025-10105-10	2.50	roller w/longer shaft	4.09	3.25	retail pack	10	-
025-10109	.30	steel roller w/ 5" shaft	5.84	5.00	single	1	-

2.00" Door Rollers

FEATURES

- Rollers available in steel or nylon
- Shaft available in zinc, stainless steel or unplated
- Hardened shaft and raceways
- Ten roller ball design
- Washers used as spacers to keep door alignment square with track (page 190)
- Long stem roller has a staked collar design versus machined collar on others



SPECIFICATIONS

part no.	weight (lbs.)	shaft description	overall finish	shaft length	length	package	pkg qty	cross reference
025-10101	.32	nylon roller	zinc plated	3.75	3.00	single	1	W #3228, T #61424, T #70225
025-10101-10	3.20	nylon roller	zinc plated	3.75	3.00	retail pack	10	-
025-10106	.29	nylon roller	zinc plated	4.20	3.50	single	1	-
025-90042	.35	nylon roller	zinc plated	8.70	8.00	single	1	-
025-10102	.32	steel roller	zinc plated	3.75	3.00	single	1	W #2996, T #70224
025-10102-10	3.20	steel roller	zinc plated	3.75	3.00	retail pack	10	-
025-10103	.29	sealed steel roller	zinc plated	3.41	2.62	single	1	-
025-10104	.31	nylon roller	stainless	4.20	3.50	single	1	-
025-10104-10	3.10	nylon roller	stainless	4.20	3.50	retail pack	10	-
025-10113	.48	steel roller-long stem	unplated	7.50	6.50	single	1	-
025-10113-4	1.92	steel roller-long stem	unplated	7.50	6.50	retail pack	4	-